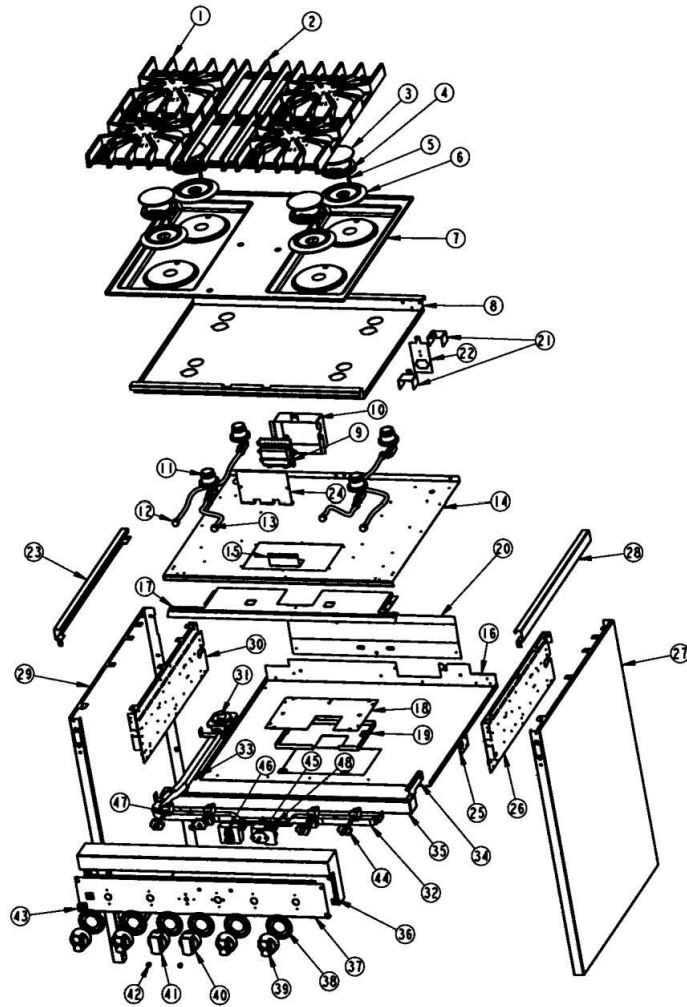


VGSC307

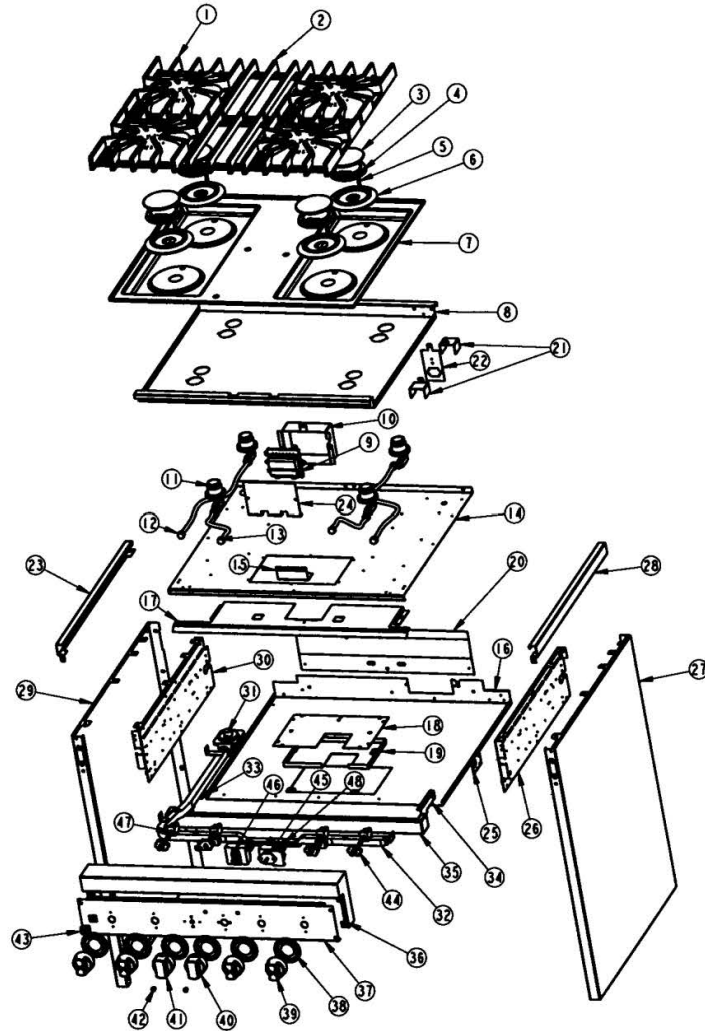
| | |
|------------------------------|---|
| BURNER BOX ASSY | 1 |
| DOOR ASSY | 2 |
| OVEN CAVITY ASSY | 3 |
| OVEN REAR ASSY | 4 |
| WIRING | 5 |
| Appendix A:Pages Index | A |
| Appendix B:Parts Index | B |

BURNER BOX ASSY

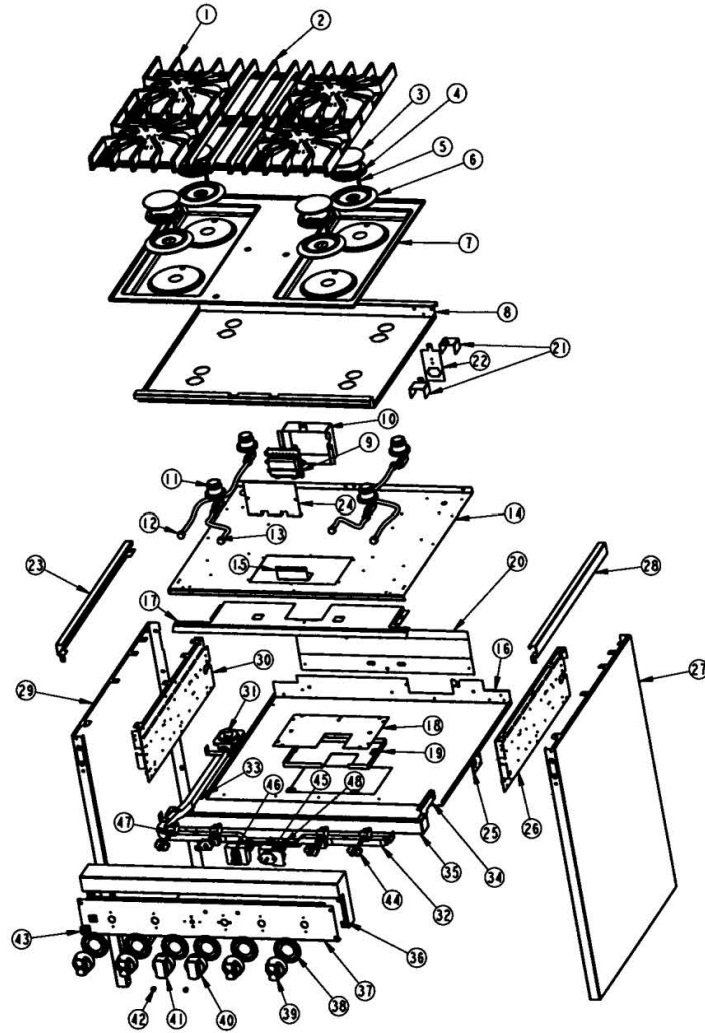




| Item | Part No. | Name | Qty | Uom | NOTES |
|-----------|------------|-----------------------------------|-----|-----|--|
| 1 | PA060054 | Burner Grate - BK | | EA | |
| Not Shown | PA060062 | Burner Grate - GR | | EA | |
| 2 | PA060060 | SEALED COOKTOP CENTER GRATE *BK* | | EA | |
| Not Shown | PA060061 | SEALED COOKTOP CENTER GRATE GRAY | | EA | |
| 3 | PA080083 | D BURNER CAP *MATTE BLACK* | | EA | |
| Not Shown | PA080086 | Burner Cap - GR | | EA | |
| 4 | PB050063 | Burner Head | | EA | |
| Not Shown | NOTE | (BEFORE 12/19/07) | | EA | |
| 4 | 018200-000 | ADJUSTED SEALED BURNER HEAD | | EA | |
| Not Shown | NOTE | (After 12/18/07) | | EA | |
| 5 | PB050081 | BURNER BASE ASM | | EA | |
| 6 | PB050081 | BURNER BASE ASM | | EA | |
| Not Shown | NOTE | (BEFORE 12/19/07) | | EA | |
| 6 | 003322-040 | SEALED BURNER BASE, TURNED FINISH | | EA | |
| Not Shown | NOTE | (After 12/18/07) | | EA | |
| NI | PA010100 | Burner Venturi | | EA | |
| 7 | E9107413AL | MAIN TOP ASSEMBLY - AL | | EA | Not available online / Call for pricing and availability |
| Not Shown | E9107413BK | MAIN TOP 30" *BK* | | EA | |
| Not Shown | E9107413BT | MAIN TOP ASSEMBLY - BT | | EA | Not available online / Call for pricing and availability |
| Not Shown | E9107413CB | MAIN TOP ASSEMBLY - CB | | EA | Not available online / Call for pricing and availability |
| Not Shown | E9107413EP | MAIN TOP ASSEMBLY - EP | | EA | Not available online / Call for pricing and availability |

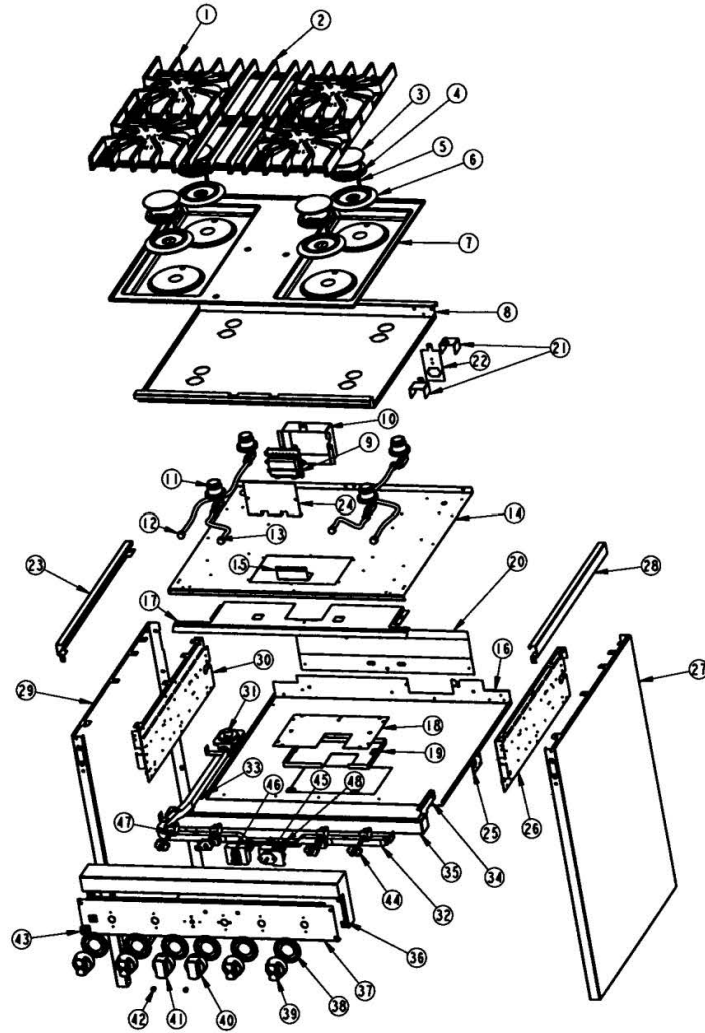


| Item | Part No. | Name | Qty | Uom | NOTES |
|-----------|------------|---------------------------------------|-----|-----|---|
| Not Shown | E9107413FG | MAIN TOP ASSEMBLY - FG | | EA | Not available online / Call for pricing and availability |
| Not Shown | E9107413GG | MAIN TOP ASSEMBLY - GG | | EA | Not available online / Call for pricing and availability |
| Not Shown | E9107413LE | MAIN TOP ASSEMBLY - LE | | EA | Not available online / Call for pricing and availability |
| Not Shown | E9107413MJ | MAIN TOP ASSEMBLY - MJ | | EA | Not available online / Call for pricing and availability |
| Not Shown | E9107413SG | MAIN TOP 30" *SG* | | EA | NO LONGER AVAILABLE, Not available online / Call for pricing and availability |
| Not Shown | E9107413VB | MAIN TOP ASSEMBLY - VB | | EA | Not available online / Call for pricing and availability |
| Not Shown | E9107413WH | MAIN TOP 30" *WH* | | EA | |
| 8 | A2007852 | BURNER SUPPORTS | | EA | |
| 9 | PA020047 | INVENSYS 0+4 RE-IGNITION SPARK MODULE | | EA | |
| 10 | A20012961 | SPARK MODULE BOX | | EA | NO LONGER AVAILABLE, Not available online / Call for pricing and availability |
| 11 | PA080075 | Burner Body | | EA | |
| Not Shown | NOTE | (BEFORE 12/19/07) | | EA | |
| 11 | 001394-042 | 15000 BTU NAT JETHOLDER | | EA | |
| Not Shown | NOTE | (After 12/18/07) | | EA | |
| 11 | 001394-043 | 13500 BTU LP JETHOLDER | | EA | |
| Not Shown | NOTE | (After 12/18/07) | | EA | |
| 12 | PB020193 | 16" FLEX TUBING W/CONNECTORS | | EA | |
| 13 | PB020192 | 10" FLEX TUBING W/CONNECTORS | | EA | |

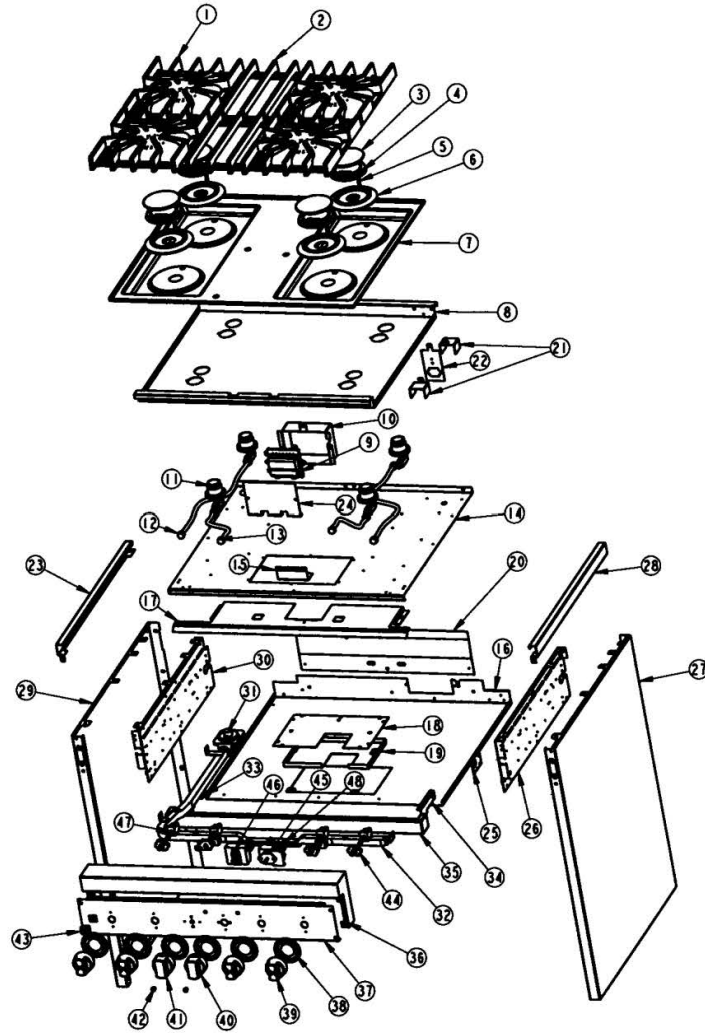




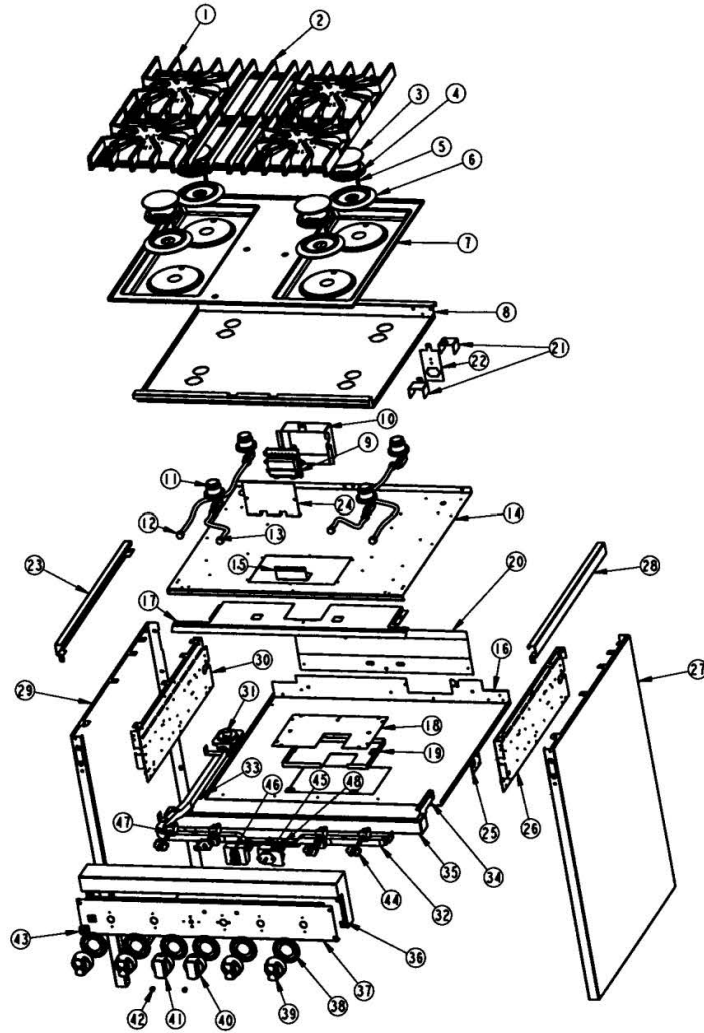
| Item | Part No. | Name | Qty | Uom | NOTES |
|-----------|------------|------------------------------------|-----|-----|---|
| 14 | A2001401 | INSULATION PANEL | | EA | NO LONGER AVAILABLE, Not available online / Call for pricing and availability |
| 15 | A2006731 | AIR DISTRIBUTOR PLATE | | EA | Not available online / Call for pricing and availability |
| 16 | A2002496 | BURNER BOX BTM (VDSC30) | | EA | NO LONGER AVAILABLE, Not available online / Call for pricing and availability |
| 17 | L2006736 | HEAT SINK PLATE | | EA | NO LONGER AVAILABLE, Not available online / Call for pricing and availability |
| 18 | A1006737 | DOOR LOCK ACCESS PANEL-SEALED | | EA | NO LONGER AVAILABLE, Not available online / Call for pricing and availability |
| 19 | G3006739 | DOOR LOCK INSULATION BOX WELD ASSY | | EA | NO LONGER AVAILABLE, Not available online / Call for pricing and availability |
| 20 | A2004461 | HEAT SHIELD (VGSC306) | | EA | NO LONGER AVAILABLE |
| 21 | A20012916 | TERM. BLOCK BRACKET COVER | | EA | NO LONGER AVAILABLE, Not available online / Call for pricing and availability |
| 22 | A10012915 | TERM. BLOCK BRACKET VGSC307 | | EA | NO LONGER AVAILABLE, Not available online / Call for pricing and availability |
| 23 | B2007868 | IC SEALED SIDE TRIM | | EA | |
| Not Shown | C9307868BR | IC SEALED SIDE TRIM *BR* | | EA | |
| 24 | A20012962 | SPARK MODULE BOX, COVER | | EA | NO LONGER AVAILABLE, Not available online / Call for pricing and availability |



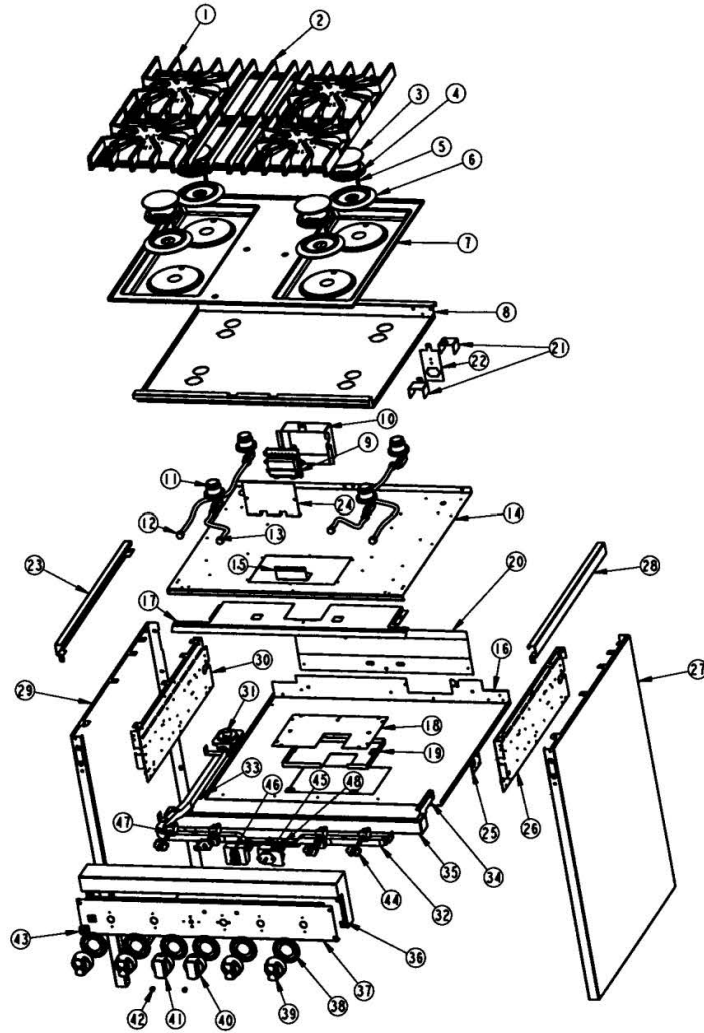
| Item | Part No. | Name | Qty | Uom | NOTES |
|-----------|-------------|----------------------|-----|-----|---|
| 25 | A1001138 | MANIFOLD BRKT | | EA | NO LONGER AVAILABLE, Not available online / Call for pricing and availability |
| 26 | A2006747 | Burner Box Side - RH | | EA | |
| 27 | B20010179 | O/S BODY PANEL - RH | | EA | |
| Not Shown | C90010179AL | SIDE PANEL RH *AL* | | EA | NO LONGER AVAILABLE, Not available online / Call for pricing and availability |
| Not Shown | C90010179BK | SIDE PANEL RH *BK* | | EA | NO LONGER AVAILABLE |
| Not Shown | C90010179BT | SIDE PANEL RH *BT* | | EA | NO LONGER AVAILABLE, Not available online / Call for pricing and availability |
| Not Shown | C90010179BU | SIDE PANEL RH *BU* | | EA | Not available online / Call for pricing and availability |
| Not Shown | C90010179CB | SIDE PANEL RH *CB* | | EA | NO LONGER AVAILABLE |
| Not Shown | C90010179EP | SIDE PANEL RH *EP* | | EA | NO LONGER AVAILABLE, Not available online / Call for pricing and availability |
| Not Shown | C90010179FG | SIDE PANEL RH *FG* | | EA | NO LONGER AVAILABLE, Not available online / Call for pricing and availability |
| Not Shown | C90010179GG | SIDE PANEL RH *GG* | | EA | NO LONGER AVAILABLE, Not available online / Call for pricing and availability |
| Not Shown | C90010179LE | SIDE PANEL RH *LE* | | EA | NO LONGER AVAILABLE, Not available online / Call for pricing and availability |
| Not Shown | C90010179MJ | SIDE PANEL RH *MJ* | | EA | |
| Not Shown | C90010179SG | SIDE PANEL RH *SG* | | EA | NO LONGER AVAILABLE, Not available online / Call for pricing and availability |



| Item | Part No. | Name | Qty | Uom | NOTES |
|-----------|-------------|--------------------------|-----|-----|---|
| Not Shown | C90010179VB | SIDE PANEL RH *VB* | | EA | NO LONGER AVAILABLE, Not available online / Call for pricing and availability |
| Not Shown | C90010179WH | SIDE PANEL RH *WH* | | EA | |
| 28 | B2007868 | IC SEALED SIDE TRIM | | EA | |
| Not Shown | C9307868BR | IC SEALED SIDE TRIM *BR* | | EA | |
| 29 | B20010180 | O/S BODY PANEL - LH | | EA | |
| Not Shown | C90010180AL | SIDE PANEL LH *AL* | | EA | NO LONGER AVAILABLE, Not available online / Call for pricing and availability |
| Not Shown | C90010180BK | SIDE PANEL LH *BK* | | EA | Not available online / Call for pricing and availability |
| Not Shown | C90010180BT | SIDE PANEL LH *BT* | | EA | NO LONGER AVAILABLE, Not available online / Call for pricing and availability |
| Not Shown | C90010180BU | SIDE PANEL LH *BU* | | EA | |
| Not Shown | C90010180CB | SIDE PANEL LH *CB* | | EA | NO LONGER AVAILABLE |
| Not Shown | C90010180EP | SIDE PANEL LH *EP* | | EA | NO LONGER AVAILABLE, Not available online / Call for pricing and availability |
| Not Shown | C90010180FG | SIDE PANEL LH *FG* | | EA | NO LONGER AVAILABLE, Not available online / Call for pricing and availability |
| Not Shown | C90010180GG | SIDE PANEL LH *GG* | | EA | NO LONGER AVAILABLE, Not available online / Call for pricing and availability |
| Not Shown | C90010180LE | SIDE PANEL LH *LE* | | EA | NO LONGER AVAILABLE, Not available online / Call for pricing and availability |
| Not Shown | C90010180MJ | SIDE PANEL LH *MJ* | | EA | |

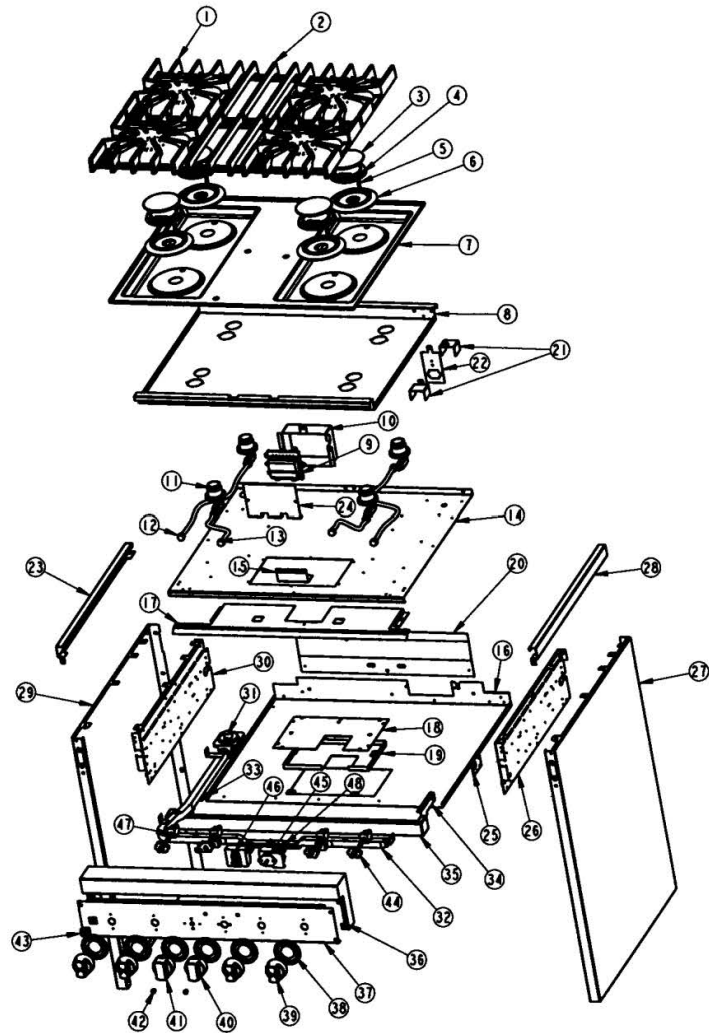


| Item | Part No. | Name | Qty | Uom | NOTES |
|-----------|-------------|-------------------------------------|-----|-----|---|
| Not Shown | C90010180SG | SIDE PANEL LH *SG* | | EA | NO LONGER AVAILABLE, Not available online / Call for pricing and availability |
| Not Shown | C90010180VB | SIDE PANEL LH *VB* | | EA | NO LONGER AVAILABLE, Not available online / Call for pricing and availability |
| Not Shown | C90010180WH | SIDE PANEL LH *WH* | | EA | |
| 30 | A2006748 | Burner Box Side - LH | | EA | |
| 31 | PA070003 | PRESSURE REGULATOR | | EA | |
| 32 | 002156-000 | 30" UNIVERSAL MANIFOLD | | EA | |
| 33 | A20011466 | FALSE DRIP TRAY HANDLE BRKT. LH | | EA | NO LONGER AVAILABLE |
| 34 | A20011467 | FALSE DRIP TRAY HANDLE BRKT. RH | | EA | NO LONGER AVAILABLE |
| 35 | G50014406 | 30" FALSE TRAY HANDLE SVC. KIT (SS) | | EA | NO LONGER AVAILABLE |
| Not Shown | G50014407 | 30" FALSE TRAY HANDLE SVC. KIT (BR) | | EA | NO LONGER AVAILABLE |
| 36 | G3006766 | SEALED LANDING LEDGE ASSY | | EA | |
| 37 | B9204483 | CTRL PAN (VGSC306) SILK SCRIN | | EA | |
| 38 | 050172-000 | BEZEL, KNOB | | EA | |
| Not Shown | PB010209 | Bezel - BR | | EA | |
| 39 | PB010206 | TOP BURNER KNOB BK | | EA | |
| Not Shown | PB010207 | TOP BURNER KNOB WH | | EA | Not available online / Call for pricing and availability |
| NI | PA020029 | Switch Spacer | | EA | |
| 40 | PB010187 | THERMOSTAT KNOB SELF CLEAN *BK* | | EA | |
| Not Shown | PB010188 | THERMOSTAT KNOB SELF CLEAN *WH* | | EA | NO LONGER AVAILABLE |
| 41 | PA010080 | SELECTOR KNOB SELF CLEAN *BK* | | EA | |
| Not Shown | PA010081 | SELECTOR KNOB SELF CLEAN *WH* | | EA | |





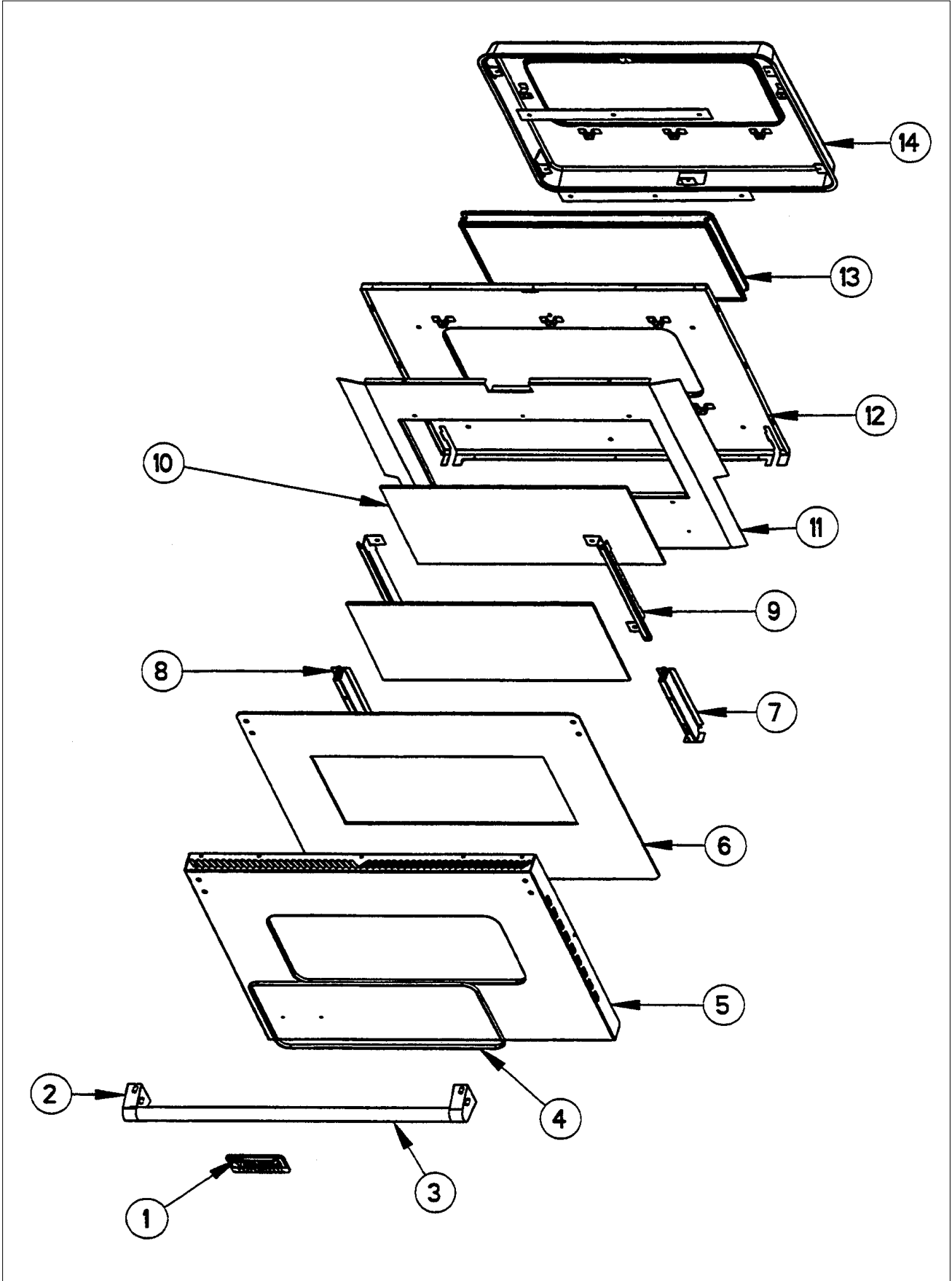
| Item | Part No. | Name | Qty | Uom | NOTES |
|--|------------|---|-----|-----|---------------------|
| 42 | PE050023 | OVEN IND. LIGHT (LENS & BEZEL) | | EA | |
| 43 | PE050016 | OVEN LIGHT SWITCH - *BK* (WES-GAR) | | EA | |
| Not Shown | PE050017 | OVEN LIGHT SWITCH - *WH* (WES-GAR) | | EA | |
| 44 | PA020015 | Spark Ignition Switch | | EA | |
| Not Shown | NOTE | (Before 2/23/05) | | EA | |
| Not Shown | PA020045 | Spark Ignition Switch | | EA | |
| Not Shown | NOTE | (After 2/23/05) | | EA | |
| 45 | PB010186 | EK39 THERMOSTAT (SELF-CLEAN) | | EA | |
| 46 | PJ030015 | 6 POS. SELECTOR SWITCH | | EA | NO LONGER AVAILABLE |
| 47 | G50012679 | Top Burner Valve Kit | | EA | |
| Not Shown | NOTE | (BEFORE 02/23/05) | | EA | |
| Not Shown | 003517-000 | PA010158 VALVE AND BOLT KIT | | EA | |
| Not Shown | NOTE | (AFTER 02/23/05) | | EA | |
| NI | PB040194 | Orifice - Nat. | | EA | |
| NI | PB040217 | L.P. ORIFICE | | EA | |
| 48 | PE050024 | OVEN IND. LIGHT (LIGHT HOUSING) | | EA | |
| <p>Comments for Part Num. PE050024</p> <p>haarnink@vikingrange.com on Jan 14, 2019 please not that the indicator light is now part 043135-000 but needs the Jumper harness 051443-000. and second option there are units in the field with a 230V indicator light part number 036566-000.</p> <p>please check this for all "E" module ranges/Tops</p> | | | | | |
| NI | 003862-000 | SHUTOFF VALVE (PB030002 VALVE AND BOLT KIT) | | EA | |
| Not Shown | NOTE | (Before 2/23/05) | | EA | |
| Not Shown | 007147-000 | SHUTOFF VALVE ASSY | | EA | |



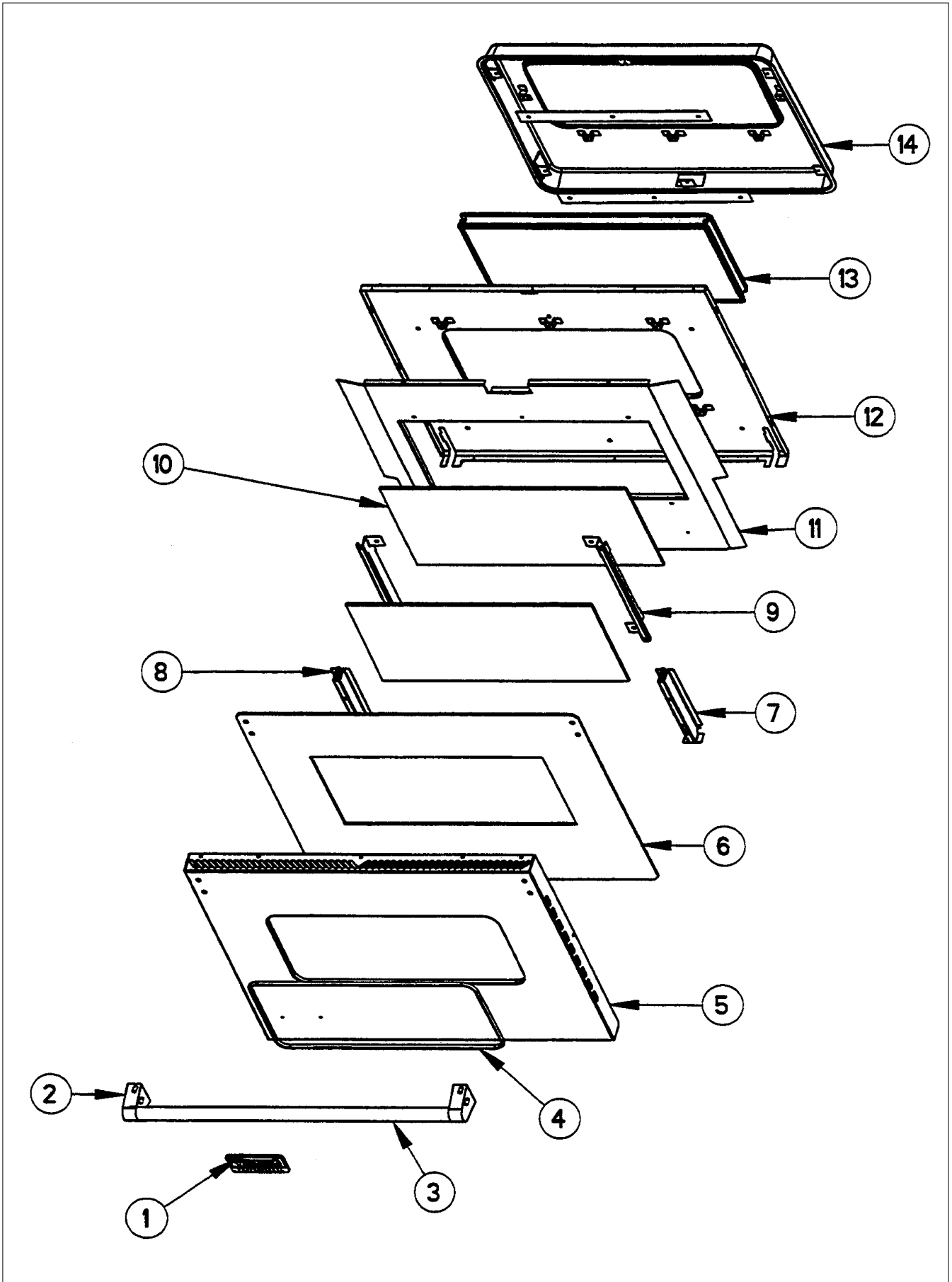


| Item | Part No. | Name | Qty | Uom | NOTES |
|-----------|----------|----------------------|-----|-----|-------|
| Not Shown | NOTE | (After 2/23/05) | | EA | |
| NI | PJ030006 | SWITCH (COOLING FAN) | | EA | |

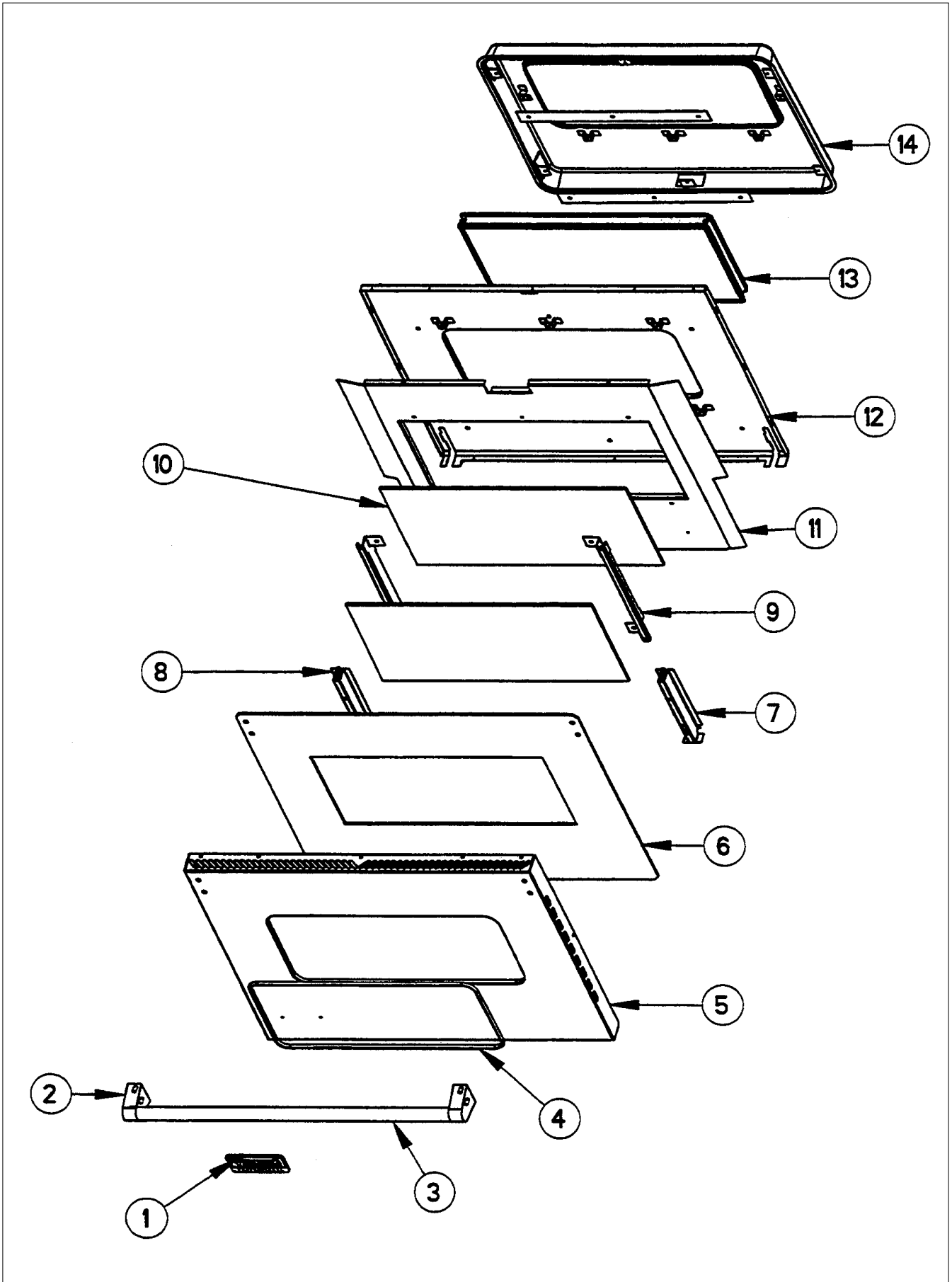
DOOR ASSY



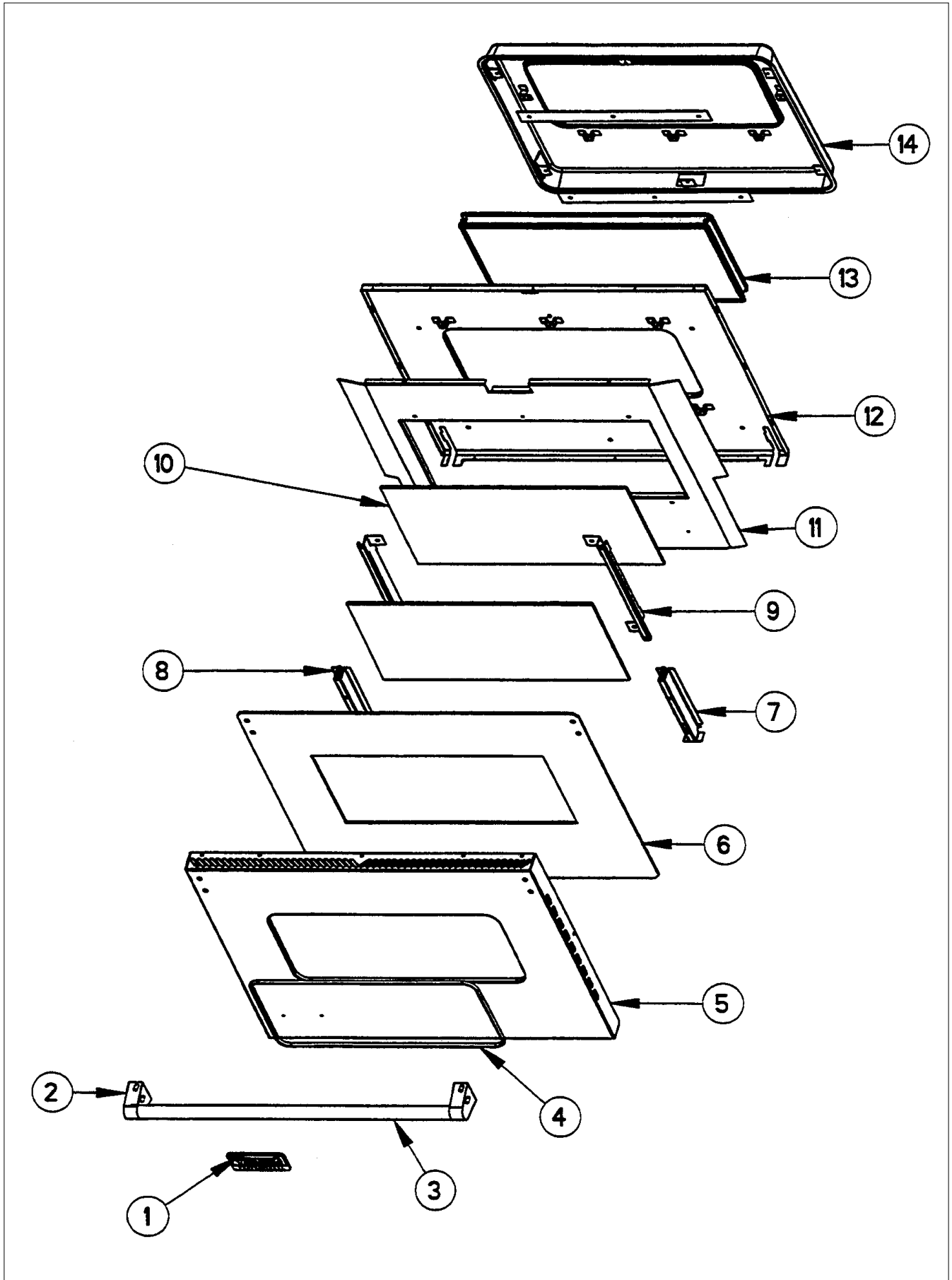
| Item | Part No. | Name | Qty | Uom | NOTES |
|-----------|--------------|------------------------------------|-----|-----|---|
| NI | G3202172AL | DOOR SUB-ASSY-*AL* (VDSC30) | 1 | EA | NO LONGER AVAILABLE, Not available online / Call for pricing and availability |
| Not Shown | G3202172ALBR | DOOR SUB-ASSY-*AL**BR* VDSC30 | 1 | EA | NO LONGER AVAILABLE, Not available online / Call for pricing and availability |
| Not Shown | G3202172BK | DOOR SUB-ASSY-*BK* (VDSC30) | 1 | EA | NO LONGER AVAILABLE |
| Not Shown | G3202172BKBR | DOOR SUB-ASSY-*BK**BR* (VDSC30) | 1 | EA | NO LONGER AVAILABLE, Not available online / Call for pricing and availability |
| Not Shown | G3202172BT | DOOR SUB-ASSY-*BT* (VDSC30) | 1 | EA | NO LONGER AVAILABLE, Not available online / Call for pricing and availability |
| Not Shown | G3202172BTBR | COMPLETE DOOR ASSY. - BTBR | 1 | EA | Not available online / Call for pricing and availability |
| Not Shown | G3202172BU | DOOR SUB-ASSY-*BU* (VDSC30) | 1 | EA | NO LONGER AVAILABLE, Not available online / Call for pricing and availability |
| Not Shown | G3202172BUBR | DOOR SUB-ASSY-*BU**BR* (VDSC30) | 1 | EA | NO LONGER AVAILABLE, Not available online / Call for pricing and availability |
| Not Shown | G3202172CB | DOOR SUB-ASSY-*CB* (VDSC30) | 1 | EA | NO LONGER AVAILABLE, Not available online / Call for pricing and availability |
| Not Shown | G3202172CBBR | COMPLETE DOOR ASSY. - CBBR | 1 | EA | Not available online / Call for pricing and availability |
| Not Shown | G3202172EP | DOOR SUB-ASSY- *EP*(VDSC30) | 1 | EA | NO LONGER AVAILABLE |
| Not Shown | G3202172EPBR | COMPLETE DOOR ASSY. - EPBR | 1 | EA | Not available online / Call for pricing and availability |



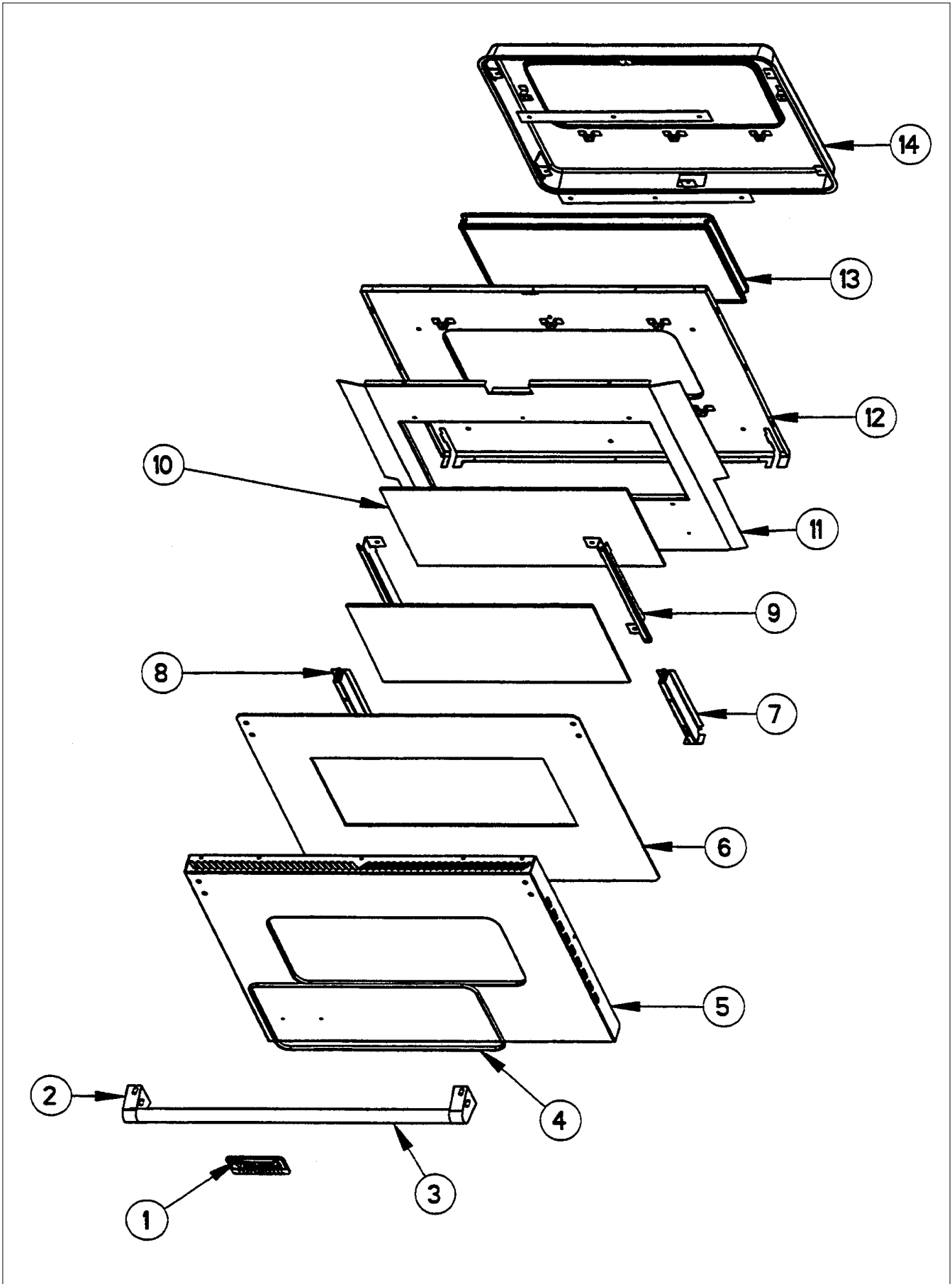
| Item | Part No. | Name | Qty | Uom | NOTES |
|-----------|--------------|------------------------------------|-----|-----|---|
| Not Shown | G3202172FG | DOOR SUB-ASSY-*FG* (VDSC30) | 1 | EA | NO LONGER AVAILABLE, Not available online / Call for pricing and availability |
| Not Shown | G3202172FGBR | DOOR SUB-ASSY-*FG**BR* (VDSC30) | 1 | EA | NO LONGER AVAILABLE, Not available online / Call for pricing and availability |
| Not Shown | G3202172GG | DOOR SUB-ASSY-*GG* (VDSC30) | 1 | EA | NO LONGER AVAILABLE, Not available online / Call for pricing and availability |
| Not Shown | G3202172GGBR | COMPLETE DOOR ASSY. - GGBR | 1 | EA | Not available online / Call for pricing and availability |
| Not Shown | G3202172LE | DOOR SUB-ASSY-LE* (VDSC30) | 1 | EA | NO LONGER AVAILABLE, Not available online / Call for pricing and availability |
| Not Shown | G3202172LEBR | COMPLETE DOOR ASSY. - LEBR | 1 | EA | Not available online / Call for pricing and availability |
| Not Shown | G3202172MJ | DOOR SUB-ASSY-*MJ* (VDSC30) | 1 | EA | NO LONGER AVAILABLE, Not available online / Call for pricing and availability |
| Not Shown | G3202172MJBR | COMPLETE DOOR ASSY. - MJBR | 1 | EA | Not available online / Call for pricing and availability |
| Not Shown | G3202172SG | DOOR SUB-ASSY-*SG* (VDSC30) | 1 | EA | NO LONGER AVAILABLE |
| Not Shown | G3202172SGBR | COMPLETE DOOR ASSY. - SGBR | 1 | EA | Not available online / Call for pricing and availability |
| Not Shown | G3202172SS | DOOR SUB-ASSY-*SS* (VDSC30) | 1 | EA | |
| Not Shown | G3202172SSBR | COMPLETE DOOR ASSY. - SSBR | 1 | EA | Not available online / Call for pricing and availability |



| Item | Part No. | Name | Qty | Uom | NOTES |
|-----------|--------------|-----------------------------------|-----|-----|---|
| Not Shown | G3202172VB | DOOR SUB-ASSY-*VB* (VDSC30) | 1 | EA | NO LONGER AVAILABLE, Not available online / Call for pricing and availability |
| Not Shown | G3202172VBBR | DOOR SUB-ASSY-*VB**BR* (VDSC30) | 1 | EA | NO LONGER AVAILABLE, Not available online / Call for pricing and availability |
| Not Shown | G3202172WH | DOOR SUB-ASSY-*WH* (VDSC30) | 1 | EA | |
| Not Shown | G3202172WHBR | DOOR SUB-ASSY-*WH**BR* (VDSC30) | 1 | EA | NO LONGER AVAILABLE, Not available online / Call for pricing and availability |
| 1 | PE010016 | LOGO (ALL RANGES) *BK/CHR 307997W | 1 | EA | |
| Not Shown | PE010079 | 4.5" LOGO/VIKING PROF *BK/BR | 1 | EA | |
| Not Shown | PE010017 | LOGO (VGSO,VEDO,VGDO,VUD) *WH/CHR | 1 | EA | |
| Not Shown | PE010080 | 4.5" LOGO/VIKING PROF *WH/BR | 1 | EA | |
| NI | PD030006 | CAPPED WASHER PAL NUT | 1 | EA | |
| 2 | 000268-000 | HANDLE ENDCAP | 1 | EA | |
| Not Shown | PE030001PVD | END CAP DOOR HANDLE *BR | 1 | EA | |
| NI | PD010019 | BLT-1/4-20X3/8"HEX WASHER SERATED | 1 | EA | |
| 3 | PE030005 | DOOR HANDLE - VGSC30/RC60/RC48RH | 1 | EA | |
| Not Shown | PE030012PVD | DOOR HANDLE - RH - (30"/48") PVD | 1 | EA | |
| 4 | PE060031 | J-MOLD (LARGE WINDOW) | 1 | EA | |
| Not Shown | PE060045 | J-MOLD (LARGE WINDOW) *BR* | 1 | EA | |
| 5 | B2002188 | O/S DOOR PANEL *SS* (VDSC30) | 1 | EA | |
| Not Shown | C9002188AL | O/S DOOR PANEL-*AL* (VDSC30) | 1 | EA | NO LONGER AVAILABLE, Not available online / Call for pricing and availability |



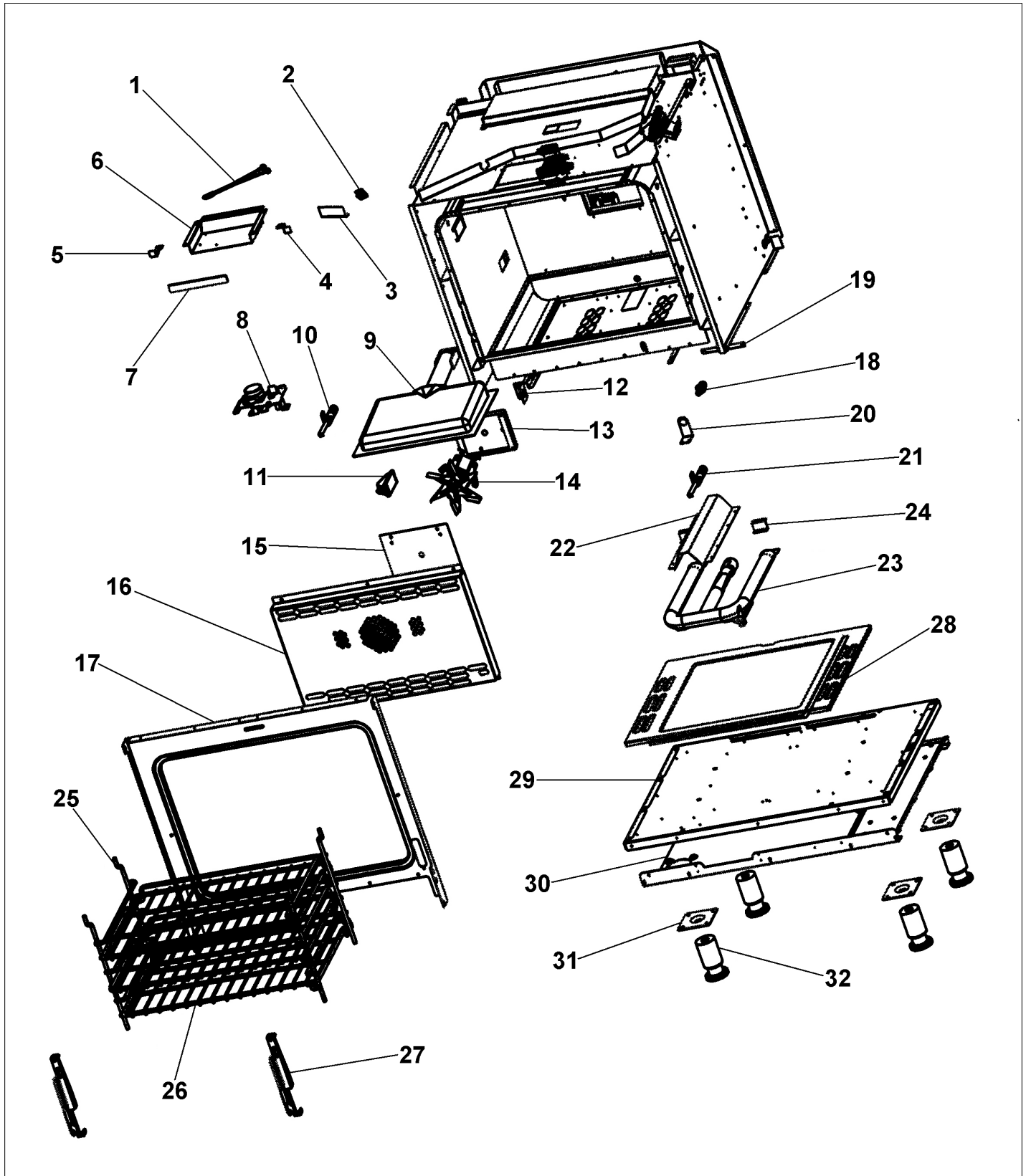
| Item | Part No. | Name | Qty | Uom | NOTES |
|-----------|------------|------------------------------|-----|-----|---|
| Not Shown | C9002188BK | O/S DOOR PANEL-*BK* (VDSC30) | 1 | EA | |
| Not Shown | C9002188BT | O/S DOOR PANEL-*BT* (VDSC30) | 1 | EA | NO LONGER AVAILABLE, Not available online / Call for pricing and availability |
| Not Shown | C9002188BU | O/S DOOR PANEL-*BU* (VDSC30) | 1 | EA | Not available online / Call for pricing and availability |
| Not Shown | C9002188CB | O/S DOOR PANEL-*CB* (VDSC30) | 1 | EA | NO LONGER AVAILABLE |
| Not Shown | C9002188EP | O/S DOOR PANEL-*EP* (VDSC30) | 1 | EA | NO LONGER AVAILABLE, Not available online / Call for pricing and availability |
| Not Shown | C9002188FG | O/S DOOR PANEL-*FG* (VDSC30) | 1 | EA | NO LONGER AVAILABLE, Not available online / Call for pricing and availability |
| Not Shown | C9002188GG | O/S DOOR PANEL-*GG* (VDSC30) | 1 | EA | |
| Not Shown | C9002188LE | O/S DOOR PANEL-*LE* (VDSC30) | 1 | EA | NO LONGER AVAILABLE, Not available online / Call for pricing and availability |
| Not Shown | C9002188MJ | O/S DOOR PANEL-*MJ* (VDSC30) | 1 | EA | NO LONGER AVAILABLE, Not available online / Call for pricing and availability |
| Not Shown | C9002188SG | O/S DOOR PANEL-*SG* (VDSC30) | 1 | EA | NO LONGER AVAILABLE, Not available online / Call for pricing and availability |
| Not Shown | C9002188VB | O/S DOOR PANEL-*VB* (VDSC30) | 1 | EA | NO LONGER AVAILABLE |
| Not Shown | C9002188WH | O/S DOOR PANEL-*WH* (VDSC30) | 1 | EA | |
| NI | PD020002 | 10 X 1/2 PH.TR.HD.SMS. | 1 | EA | |
| NI | PD020014 | 10X3/4 PH TR HD SMS | 1 | EA | |
| 6 | J1002594 | OVEN DR HEAT SINK (VDSC30) | 1 | EA | |
| 7 | A2002498 | HINGE POCKET COVER RH | 1 | EA | |
| 8 | A2002499 | HINGE POCKET COVER LH | 1 | EA | |



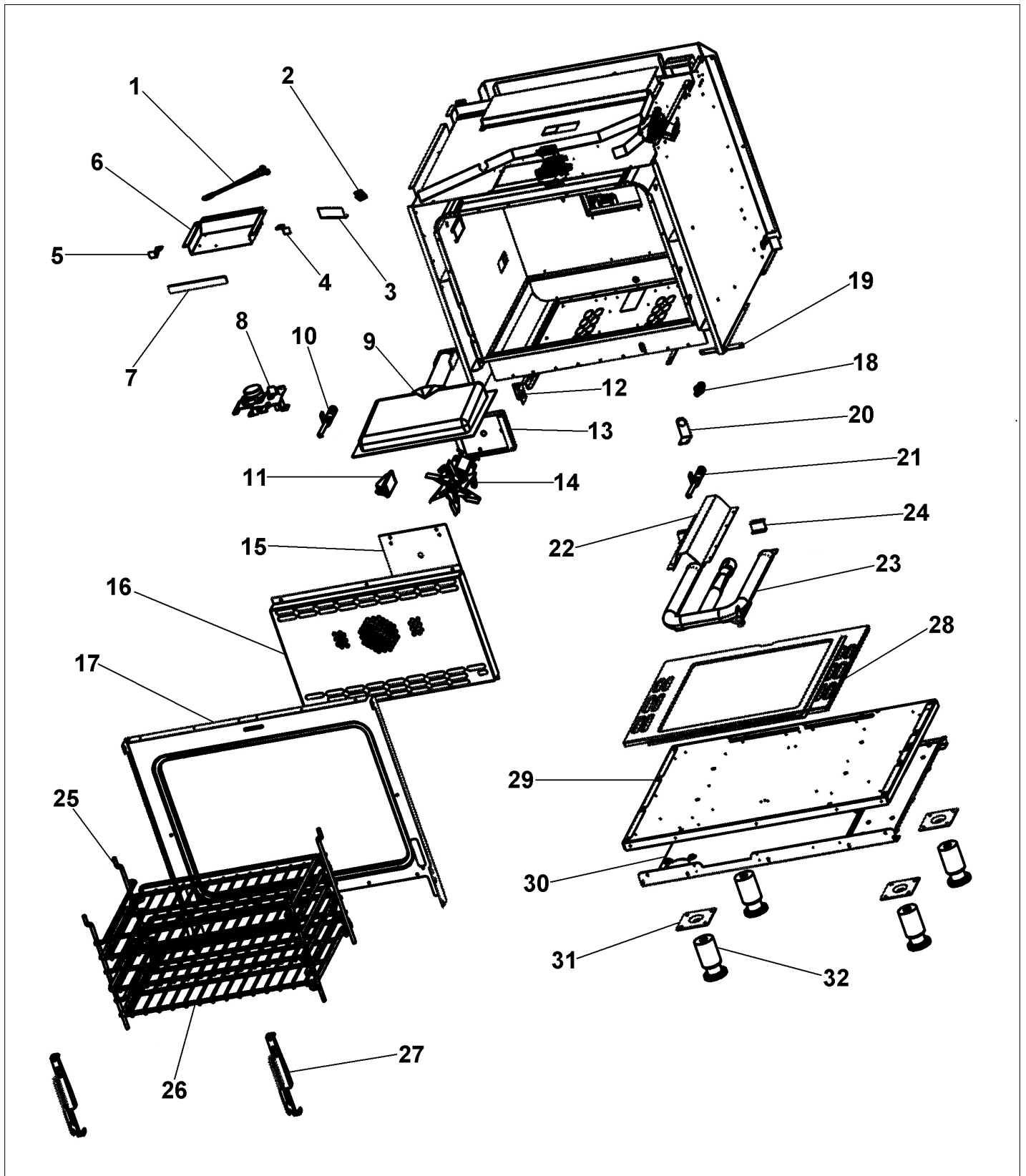


| Item | Part No. | Name | Qty | Uom | NOTES |
|------|------------|--|-----|-----|---|
| 9 | A2002367 | DOOR GLASS BRKT | 1 | EA | |
| 10 | PE060039 | GLASS-HEAT TREATED (HB2) VDSC | 1 | EA | |
| 11 | A2002548 | DOOR INSULATION RETAINER RH VDSC | 1 | EA | NO LONGER AVAILABLE, Not available online / Call for pricing and availability |
| 12 | G9102747 | DR LINER ASY(VDSC30/48)REP H9102173 | 1 | EA | |
| 13 | PE060064 | WINDOW PACK, SELF CLEANING OVEN 30" | 1 | EA | |
| 14 | G9102745 | DR PG ASSY VDSC30/48" RE H9102175 (Before 12/20/2012) | 1 | EA | |
| NI | PB070034 | INSULATION-TRS-10 1" X 20" X 77' ROLL | 1 | EA | |
| NI | PB070074 | TRS-10 3" X 20" X 45' INSULATION (SELF-CLEAN) | 1 | EA | |
| NI | 000594-000 | BLACK FIBERGLASS ROPE 3/8 | 1 | EA | |
| NI | 000623-000 | DOOR GASKET(3/8"DIA.) (VDSC) | 1 | EA | |

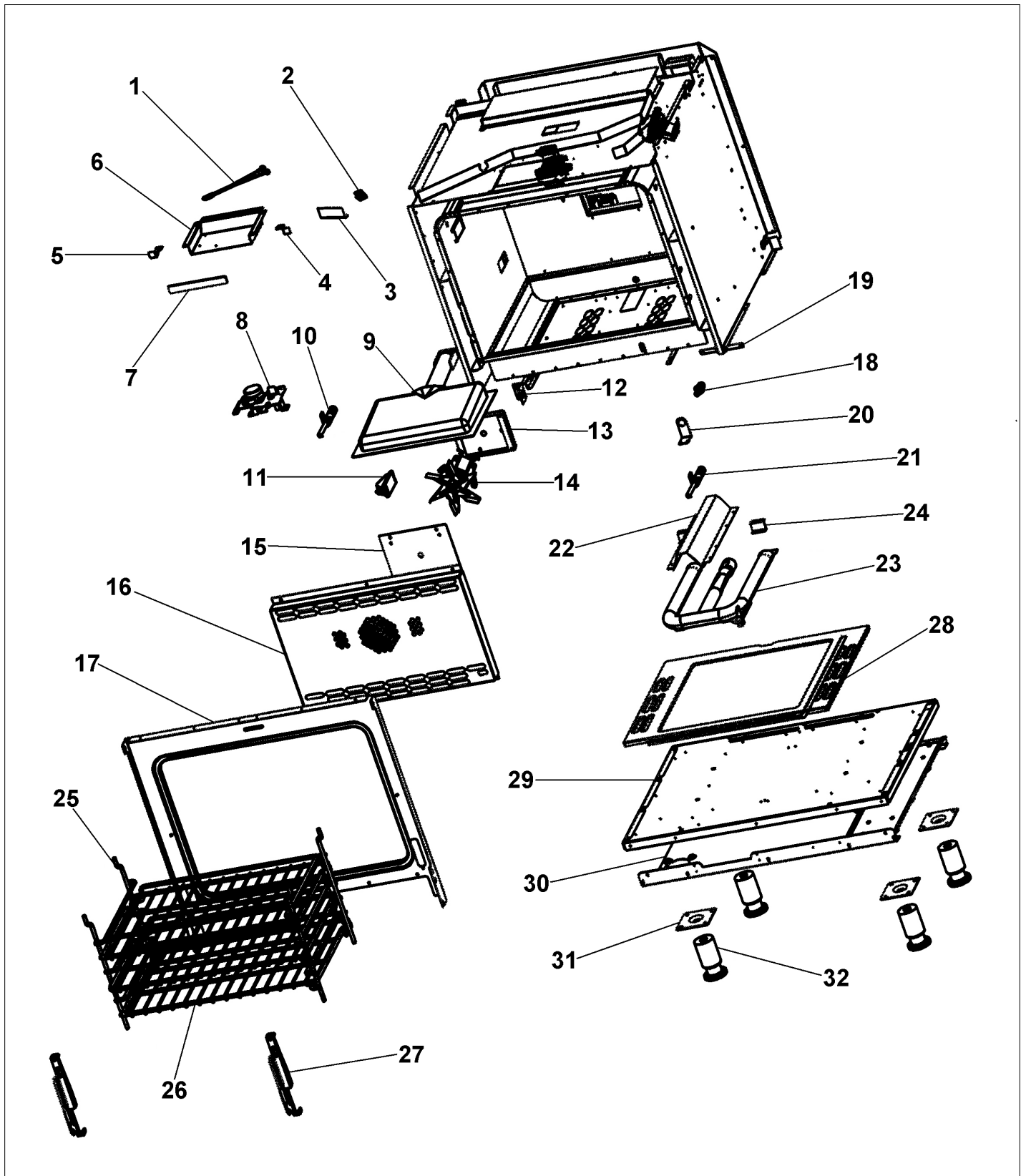
OVEN CAVITY ASSY



| Item | Part No. | Name | Qty | Uom | NOTES |
|--------------|------------|--|-----|-----|---|
| 1 | PE050059 | HI-LIMIT SWITCH | | EA | |
| 2 | PD030062 | .250 HI-LIMIT SWITCH CLAMP(VGSC306) | | EA | |
| 3 | A20012920 | TOP FRONT AIR BAFFLE LH | | EA | NO LONGER AVAILABLE, Not available online / Call for pricing and availability |
| 4 | A20012913 | DOOR GASKET BRACKET LH | | EA | NO LONGER AVAILABLE, Not available online / Call for pricing and availability |
| 5 | A20012914 | DOOR GASKET BRACKET RH | | EA | NO LONGER AVAILABLE, Not available online / Call for pricing and availability |
| 6 | A2004423 | DOOR LOCK BOX (VGSC306) | | EA | |
| 7 | 001255-000 | ADHESIVE BACKED INSULATION | | EA | NO LONGER AVAILABLE, Not available online / Call for pricing and availability |
| 8 | PE050053 | DR LATCH REPL PE050020 | | EA | |
| 9 | G3001876 | IR BURNER ASSY (VGSC/RC) N/S | | EA | |
| NI | PB040040 | ORIFICE-IR BURNER (VGSC) | | EA | |
| Not Shown | NOTE | (Nat. - #47) | | EA | |
| NI | PB040027 | IR BUR.SPUD ORF. - #56 LP | | EA | |
| Not Shown | NOTE | (L.P. - #56) | | EA | |
| 10 | PB040171 | BROIL IGNITION ELECTRODE | | EA | |
| 11 | PE050056 | OVEN LIGHT ASSY 12V/5W | | EA | |
| 12 | A20012922 | DISCONNECT POWER BRACKET | | EA | NO LONGER AVAILABLE, Not available online / Call for pricing and availability |
| 13 | A2002595 | CONVECTION FAN BOX (VDSC) | | EA | |
| 14 | PE050057 | CONVECTION FAN (VGSC306) | | EA | |
| 15 | A1002596 | CONVECTION FAN COVER (VDSC) | | EA | |
| 16 | G9104482 | CONVECTION FAN COVER ASSY (VGSC306) | | EA | |



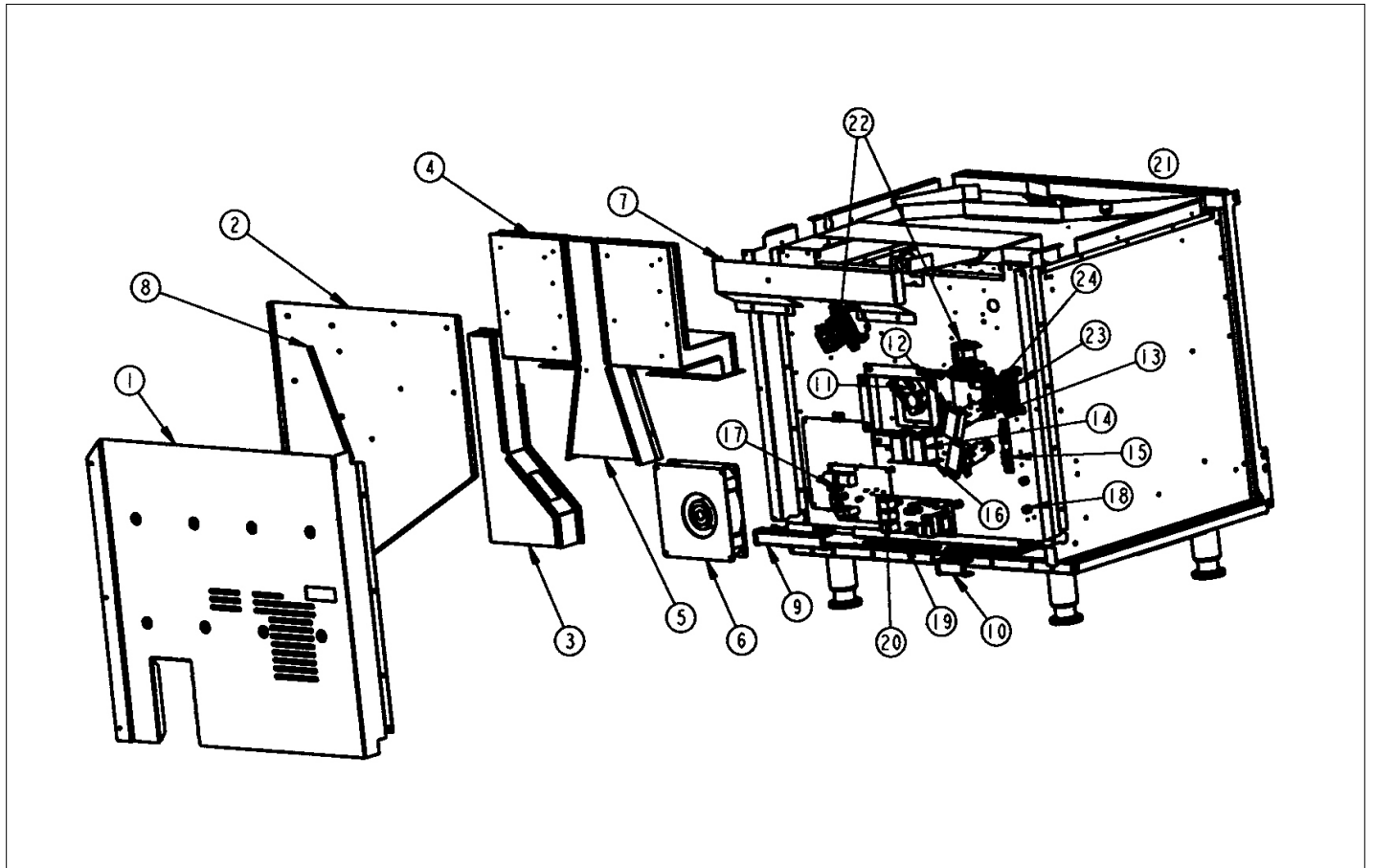
| Item | Part No. | Name | Qty | Uom | NOTES |
|-----------|------------|---|-----|-----|--|
| 17 | G9102743 | OVEN FRONT FRAME ASSY (VDSC30) | | EA | Not available online / Call for pricing and availability |
| 18 | PB040172 | 3/8 X 3/8 ORIFICE FITTING (NAT) | | EA | |
| 19 | A2004428 | REAR BOTTOM BRCKT (VGSC306) | | EA | |
| 20 | A2004434 | ORIFICE BRACKET (VGSC306) | | EA | Not available online / Call for pricing and availability |
| 21 | PB040170 | BAKE IGNITION ELECTRODE | | EA | |
| 22 | A2004424 | BURNER COVER (VGSC306) | | EA | |
| 23 | 006197-000 | U-SHAPE BAKE BURNER 8" | | EA | |
| NI | PB040180 | ORIFICE HOOD #31 | | EA | |
| Not Shown | NOTE | (Nat. - #31) | | EA | |
| NI | PB040034 | ORIFICE HOOD-#50 (NAT) | | EA | |
| Not Shown | NOTE | (L.P.) - #50) | | EA | |
| 24 | B2004415 | BURNER BRACKET (VGSC306) | | EA | |
| 25 | PB060030 | RACK SUPT REPL PB060010 | | EA | |
| 26 | PB060044 | OVEN RK VDSC30/48RH REPL PB060019 | | EA | |
| 27 | PC020009 | HINGE ASSY (BROWN) | | EA | |
| 28 | 068456-000 | ASM, BOTTOM, CAVITY, OVEN, GAS, 30", GRAY | | EA | |
| Not Shown | NOTE | (INCLUDES HEAT SHIELD) | | EA | |
| 29 | A2002481 | BTM INSULATION SHIELD (VDSC) | | EA | |
| 30 | A2002480 | MAIN BTM (VDSC) | | EA | NO LONGER AVAILABLE |
| 31 | PC030007 | LEG PLATE - 3/4" THREADED HOLE | | EA | |
| 32 | PC030017 | 4" LEG ASSY | | EA | |
| NI | E9107933 | BROILER PAN | | EA | |
| NI | E9107934 | BROILER PAN INSERT - NLA | | EA | |
| NI | PB020126 | 3/8" S.S. FLEX TUBING 15" (DGCU) | | EA | |



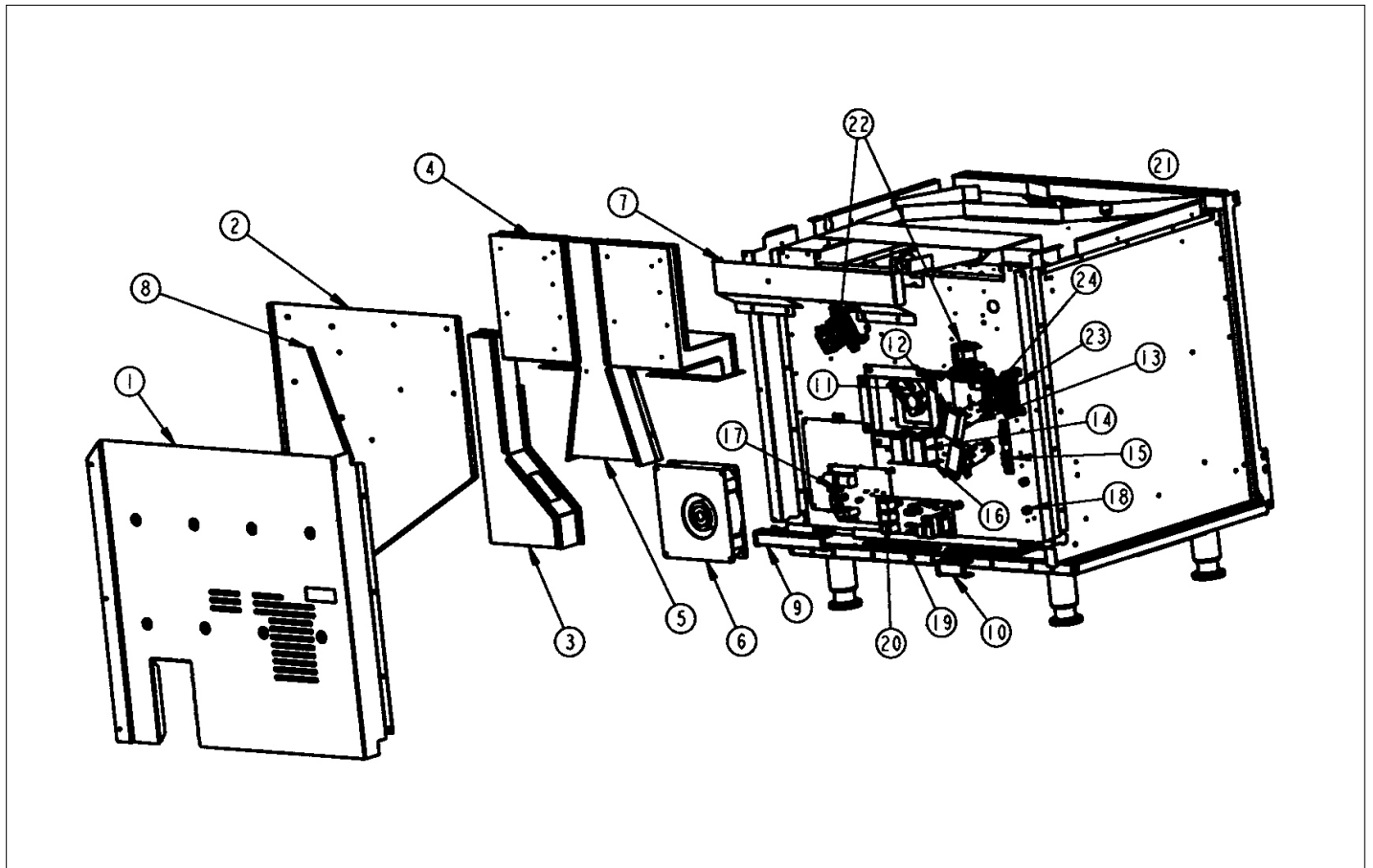


| Item | Part No. | Name | Qty | Uom | NOTES |
|------|------------|--------------------------------|-----|-----|-------|
| NI | PB020112 | 3/8 SS FLEX TUBING - 36" T6-36 | | EA | |
| NI | PB020243 | 3/8" S.S. FLEX TUBING 40" | | EA | |
| NI | 019497-000 | 30" CURB BASE KIT | | EA | |

OVEN REAR ASSY



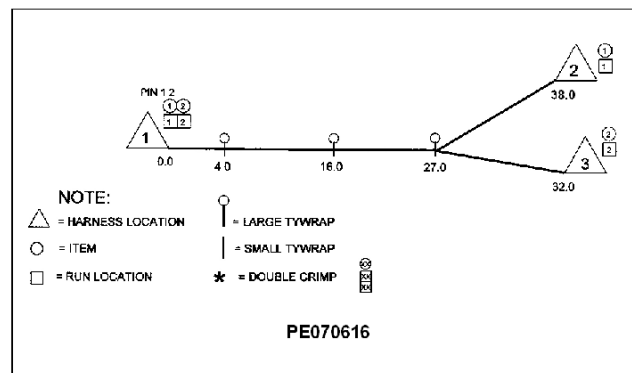
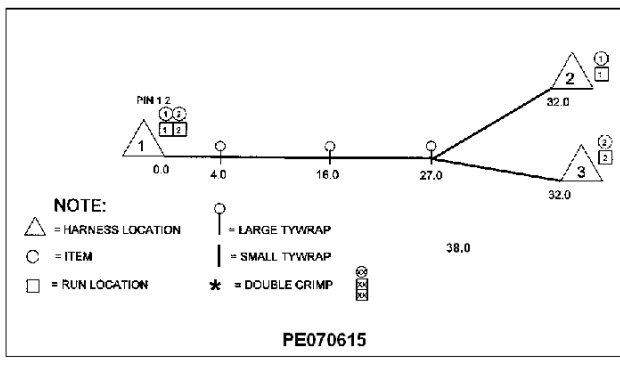
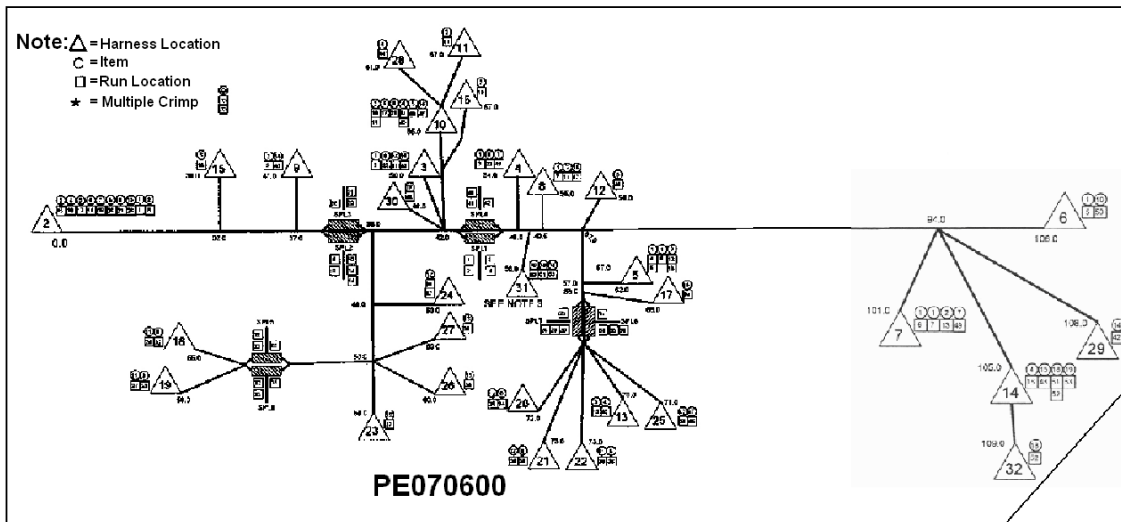
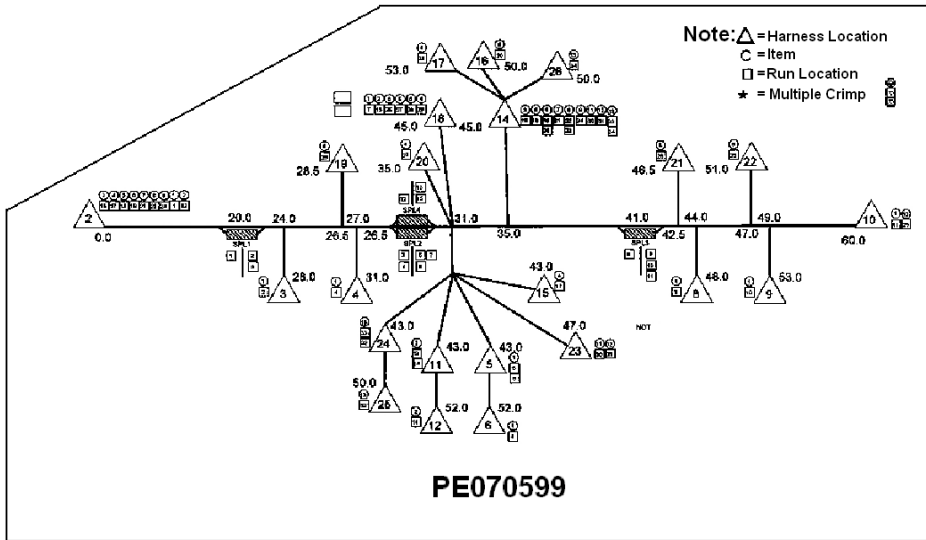
| Item | Part No. | Name | Qty | Uom | NOTES |
|------|-----------|-------------------------------------|-----|-----|---|
| 1 | A20012911 | OVEN BACK | 1 | EA | Not available online / Call for pricing and availability |
| 2 | A2004468 | BACK AIR CHANNEL (VGSC306) | 1 | EA | NO LONGER AVAILABLE, Not available online / Call for pricing and availability |
| 3 | G3004446 | COOLING FAN DUCT WELD ASSY(VGSC306) | 1 | EA | NO LONGER AVAILABLE, Not available online / Call for pricing and availability |
| 4 | G3004414 | FLUE ASSY (VGSC306) | 1 | EA | NO LONGER AVAILABLE |
| 5 | G3004444 | BROILER FLUE WELD ASSY (VGSC306) | 1 | EA | NO LONGER AVAILABLE, Not available online / Call for pricing and availability |
| 6 | PE050026 | COOLING FAN (VDSC) | 1 | EA | |
| 7 | A2004464 | FLUE HEAT SHIELD (VGSC306) | 1 | EA | NO LONGER AVAILABLE |
| 8 | A2004471 | BACK AIR CHANNEL CENTER (VGSC306) | 1 | EA | NO LONGER AVAILABLE, Not available online / Call for pricing and availability |
| 9 | A2004480 | WIRE CHANNEL LH (VGSC306) | 1 | EA | NO LONGER AVAILABLE |
| 10 | A2004481 | WIRE CHANNEL RH (VGSC306) | 1 | EA | NO LONGER AVAILABLE |
| 11 | PE050057 | CONVECTION FAN (VGSC306) | 1 | EA | |
| 12 | PJ030002 | AUTO RESET (SELF-CLEAN) VDSC | 1 | EA | |
| 13 | A1002456 | THERMO-DISC BRKT (VDSC) | 1 | EA | |
| 14 | PM010029 | RELAY (DOUBLE POLE-DOUBLE THROW)TEM | 1 | EA | |
| 15 | PE050001 | TERMINAL BOARD | 1 | EA | |
| 16 | A2004458 | RELAY BRACKET (VGSC306) (2 RELAY) | 1 | EA | NO LONGER AVAILABLE |
| 17 | PA020035 | DSI MODULE REPL PA020027 | 1 | EA | |
| 18 | PD030033 | GROMMET NUT-ROUND HD. #8 X .500DIA. | 1 | EA | |





| Item | Part No. | Name | Qty | Uom | NOTES |
|------|-----------|--|-----|-----|---|
| 19 | A2004465 | AIR CHANNEL (VGSC306) | 1 | EA | NO LONGER AVAILABLE, Not available online / Call for pricing and availability |
| 20 | PE070148 | SELF-CLEAN BOARD/TIMER (VDSC) | 1 | EA | |
| 21 | PE070468 | TRANSFORMER HALOGEN LIGHTS REPLACES PE070222 | 1 | EA | |
| 22 | PA010139 | F J T VALVE REPL PA010079 | 1 | EA | |
| 23 | A20012917 | TRANSFORMER BRACKET | 1 | EA | NO LONGER AVAILABLE, Not available online / Call for pricing and availability |
| 24 | PE070468 | TRANSFORMER HALOGEN LIGHTS REPLACES PE070222 | 1 | EA | |
| NI | A2002654 | ANTI-TIP DEVICE (VDSC) | 1 | EA | |
| NI | G3204472 | BACKGUARD ASSY (VGSC306) | 1 | EA | |
| NI | G4008493 | SUPPLY CORD ASSY- VG SU | 1 | EA | |

WIRING





| Item | Part No. | Name | Qty | Uom | NOTES |
|-----------|----------|------------------------------------|-----|-----|---|
| NI | PE070599 | WIRE HARNESS - FRONT | 1 | EA | NO LONGER AVAILABLE |
| NI | PE070600 | WIRE HARNESS - REAR | 1 | EA | NO LONGER AVAILABLE, Not available online / Call for pricing and availability |
| NI | PE070615 | HARNESS - DISCONNECT POWER (CAP) | 1 | EA | |
| Not Shown | NOTE | (CAP) | | EA | |
| NI | PE070616 | HARNESS - DISCONNECT POWER (PLUG) | 1 | EA | |
| Not Shown | NOTE | (PLUG) | | EA | |
| NI | PE070223 | WIRE HARNESS P/C BOARD | 1 | EA | |
| NI | G4000935 | BAKE/BROIL JUMPER WIRE - VGR/VCM | 1 | EA | |
| NI | G4001656 | SPARK MODULE GROUND WIRE | 1 | EA | |
| NI | G4001587 | SPARK MODULE-TOP BRNR SPARKER (25) | 1 | EA | |
| Not Shown | NOTE | (25") | | EA | |
| NI | PE070719 | IGNITOR WIRE KIT - VDSC3674Q | 1 | EA | |
| Not Shown | NOTE | (16") | | EA | |
| NI | G4005411 | DSI BAKE JUMPER (VGSC306) | 1 | EA | |
| NI | G4005412 | DSI BROIL JUMPER (VGSC306) | 1 | EA | |



Appendix A:Pages Index

| | |
|------------------------|---|
| BURNER BOX ASSY | 1 |
| DOOR ASSY | 2 |
| OVEN CAVITY ASSY | 3 |
| OVEN REAR ASSY | 4 |
| WIRING | 5 |



Appendix B:Parts Index

| | | | |
|------------|---|-------------|------|
| 000268-000 | 2 | A2002595 | 3 |
| 000594-000 | 2 | A2002654 | 4 |
| 000623-000 | 2 | A2004423 | 3 |
| 001255-000 | 3 | A2004424 | 3 |
| 001394-042 | 1 | A2004428 | 3 |
| 001394-043 | 1 | A2004434 | 3 |
| 002156-000 | 1 | A2004458 | 4 |
| 003322-040 | 1 | A2004461 | 1 |
| 003517-000 | 1 | A2004464 | 4 |
| 003862-000 | 1 | A2004465 | 4 |
| 006197-000 | 3 | A2004468 | 4 |
| 007147-000 | 1 | A2004471 | 4 |
| 018200-000 | 1 | A2004480 | 4 |
| 019497-000 | 3 | A2004481 | 4 |
| 050172-000 | 1 | A2006731 | 1 |
| 068456-000 | 3 | A2006747 | 1 |
| A1001138 | 1 | A2006748 | 1 |
| A10012915 | 1 | A2007852 | 1 |
| A1002456 | 4 | B20010179 | 1 |
| A1002596 | 3 | B20010180 | 1 |
| A1006737 | 1 | B2002188 | 2 |
| A20011466 | 1 | B2004415 | 3 |
| A20011467 | 1 | B2007868 | 1, 1 |
| A20012911 | 4 | B9204483 | 1 |
| A20012913 | 3 | C90010179AL | 1 |
| A20012914 | 3 | C90010179BK | 1 |
| A20012916 | 1 | C90010179BT | 1 |
| A20012917 | 4 | C90010179BU | 1 |
| A20012920 | 3 | C90010179CB | 1 |
| A20012922 | 3 | C90010179EP | 1 |
| A20012961 | 1 | C90010179FG | 1 |
| A20012962 | 1 | C90010179GG | 1 |
| A2001401 | 1 | C90010179LE | 1 |
| A2002367 | 2 | C90010179MJ | 1 |
| A2002480 | 3 | C90010179SG | 1 |
| A2002481 | 3 | C90010179VB | 1 |
| A2002496 | 1 | C90010179WH | 1 |
| A2002498 | 2 | C90010180AL | 1 |
| A2002499 | 2 | C90010180BK | 1 |
| A2002548 | 2 | C90010180BT | 1 |
| | | C90010180BU | 1 |



| | | | |
|-------------|------|--------------|---|
| C90010180CB | 1 | G3006739 | 1 |
| C90010180EP | 1 | G3006766 | 1 |
| C90010180FG | 1 | G3202172AL | 2 |
| C90010180GG | 1 | G3202172ALBR | 2 |
| C90010180LE | 1 | G3202172BK | 2 |
| C90010180MJ | 1 | G3202172BKBR | 2 |
| C90010180SG | 1 | G3202172BT | 2 |
| C90010180VB | 1 | G3202172BTBR | 2 |
| C90010180WH | 1 | G3202172BU | 2 |
| C9002188AL | 2 | G3202172BUBR | 2 |
| C9002188BK | 2 | G3202172CB | 2 |
| C9002188BT | 2 | G3202172CBBR | 2 |
| C9002188BU | 2 | G3202172EP | 2 |
| C9002188CB | 2 | G3202172EPBR | 2 |
| C9002188EP | 2 | G3202172FG | 2 |
| C9002188FG | 2 | G3202172FGBR | 2 |
| C9002188GG | 2 | G3202172GG | 2 |
| C9002188LE | 2 | G3202172GGBR | 2 |
| C9002188MJ | 2 | G3202172LE | 2 |
| C9002188SG | 2 | G3202172LEBR | 2 |
| C9002188VB | 2 | G3202172MJ | 2 |
| C9002188WH | 2 | G3202172MJBR | 2 |
| C9307868BR | 1, 1 | G3202172SG | 2 |
| E9107413AL | 1 | G3202172SGBR | 2 |
| E9107413BK | 1 | G3202172SS | 2 |
| E9107413BT | 1 | G3202172SSBR | 2 |
| E9107413CB | 1 | G3202172VB | 2 |
| E9107413EP | 1 | G3202172VBRR | 2 |
| E9107413FG | 1 | G3202172WH | 2 |
| E9107413GG | 1 | G3202172WHBR | 2 |
| E9107413LE | 1 | G3204472 | 4 |
| E9107413MJ | 1 | G4000935 | 5 |
| E9107413SG | 1 | G4001587 | 5 |
| E9107413VB | 1 | G4001656 | 5 |
| E9107413WH | 1 | G4005411 | 5 |
| E9107933 | 3 | G4005412 | 5 |
| E9107934 | 3 | G4008493 | 4 |
| G3001876 | 3 | G50012679 | 1 |
| G3004414 | 4 | G50014406 | 1 |
| G3004444 | 4 | G50014407 | 1 |
| G3004446 | 4 | G9102743 | 3 |



| | | | |
|----------|---|-------------|------|
| G9102745 | 2 | PB040217 | 1 |
| G9102747 | 2 | PB050063 | 1 |
| G9104482 | 3 | PB050081 | 1, 1 |
| J1002594 | 2 | PB060030 | 3 |
| L2006736 | 1 | PB060044 | 3 |
| PA010080 | 1 | PB070034 | 2 |
| PA010081 | 1 | PB070074 | 2 |
| PA010100 | 1 | PC020009 | 3 |
| PA010139 | 4 | PC030007 | 3 |
| PA020015 | 1 | PC030017 | 3 |
| PA020029 | 1 | PD010019 | 2 |
| PA020035 | 4 | PD020002 | 2 |
| PA020045 | 1 | PD020014 | 2 |
| PA020047 | 1 | PD030006 | 2 |
| PA060054 | 1 | PD030033 | 4 |
| PA060060 | 1 | PD030062 | 3 |
| PA060061 | 1 | PE010016 | 2 |
| PA060062 | 1 | PE010017 | 2 |
| PA070003 | 1 | PE010079 | 2 |
| PA080075 | 1 | PE010080 | 2 |
| PA080083 | 1 | PE030001PVD | 2 |
| PA080086 | 1 | PE030005 | 2 |
| PB010186 | 1 | PE030012PVD | 2 |
| PB010187 | 1 | PE050001 | 4 |
| PB010188 | 1 | PE050016 | 1 |
| PB010206 | 1 | PE050017 | 1 |
| PB010207 | 1 | PE050023 | 1 |
| PB010209 | 1 | PE050024 | 1 |
| PB020112 | 3 | PE050026 | 4 |
| PB020126 | 3 | PE050053 | 3 |
| PB020192 | 1 | PE050056 | 3 |
| PB020193 | 1 | PE050057 | 3, 4 |
| PB020243 | 3 | PE050059 | 3 |
| PB040027 | 3 | PE060031 | 2 |
| PB040034 | 3 | PE060039 | 2 |
| PB040040 | 3 | PE060045 | 2 |
| PB040170 | 3 | PE060064 | 2 |
| PB040171 | 3 | PE070148 | 4 |
| PB040172 | 3 | PE070223 | 5 |
| PB040180 | 3 | PE070468 | 4, 4 |
| PB040194 | 1 | PE070599 | 5 |



| | |
|----------------|---|
| PE070600 | 5 |
| PE070615 | 5 |
| PE070616 | 5 |
| PE070719 | 5 |
| PJ030002 | 4 |
| PJ030006 | 1 |
| PJ030015 | 1 |
| PM010029 | 4 |