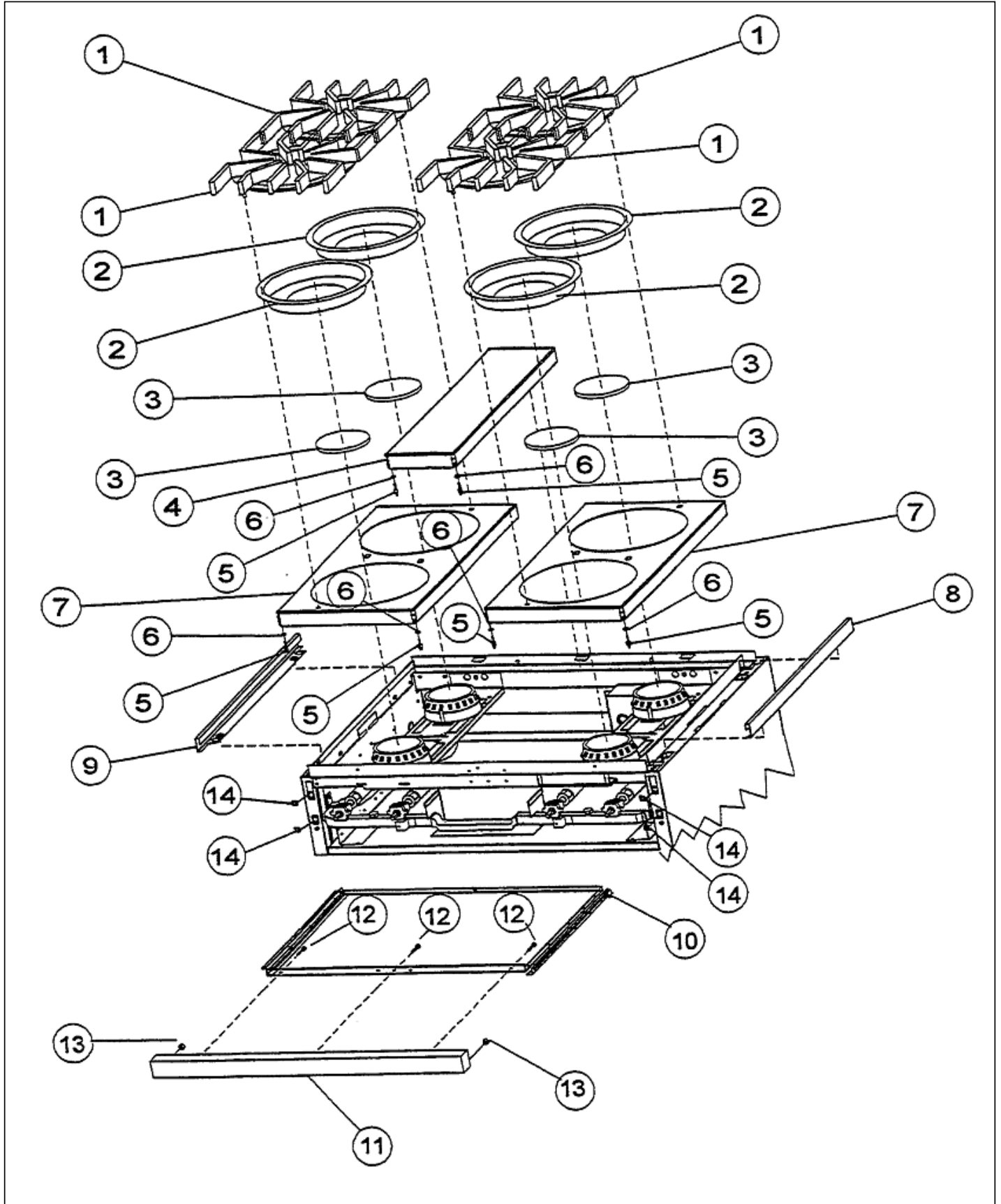


**VGSC305**

|                              |   |
|------------------------------|---|
| BURNER BOX EXTERIOR .....    | 1 |
| BURNER BOX SUBASSEMBLY ..... | 2 |
| CONTROL - RACK ASSY .....    | 3 |
| DOOR - AFTER 2-94 .....      | 4 |
| DOOR - BEFORE 2-94 .....     | 5 |
| GAS - ELECTRICAL .....       | 6 |
| PANEL - OVEN ASSY .....      | 7 |
| Appendix A:Pages Index ..... | A |
| Appendix B:Parts Index ..... | B |



BURNER BOX EXTERIOR





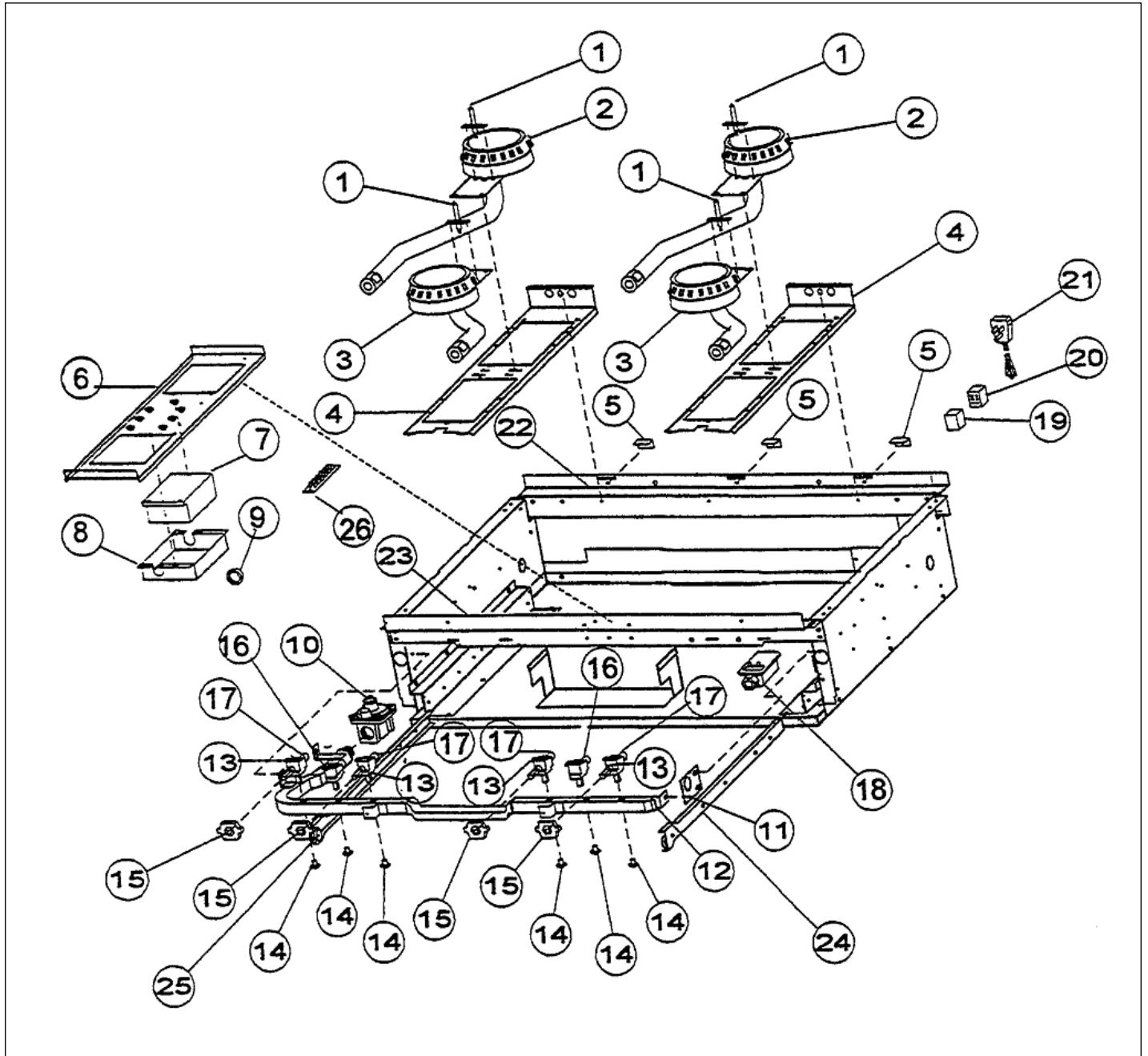
| Item | Part No.   | Name  | Qty | Uom | NOTES   |
|------|------------|---|-----|-----|---|
| 1    | PA060037   | GRATE BK REPL PA060024 (GEN.#2)                 | 1   | EA  |   |
| 1    | PA060038   | GRAY GRATES                                     | 1   | EA  |   |
| 2    | PA030002AL | BURNER BOWL - AL (FOR USE WITH UPGRADE KIT) NLA | 1   | EA  |   |
| 2    | PA030002BK | BURNER BOWL (VGRT) **BK**                       | 1   | EA  |   |
| 2    | PA030002BU | BURNER BOWL (VGRT) **BU** NLA                   | 1   | EA  |   |
| 2    | PA030002FG | BURNER BOWL - FG (FOR USE WITH UPGRADE KIT) NLA | 1   | EA  |   |
| 2    | PA030002PL | BURNER BOWL (VGRT) **PL** NLA                   | 1   | EA  | Not available online / Call for pricing and availability                      |
| 2    | PA030002VB | BURNER BOWL (VGRT) **VB** NLA                   | 1   | EA  |   |
| 2    | PA030002WH | BURNER BOWL (VGRT) **WH**                       | 1   | EA  |   |
| 3    | PA080015   | BURNER CAP-VGRT *BK*                            | 1   | EA  |   |
| 3    | PA080016   | BURNER CAP-VGRT (GRAY-MATT)                     | 1   | EA  |   |
| 4    | E9101408   | CENTER WORK SPACE                               | 1   | EA  | Not available online / Call for pricing and availability                      |
| 5    | PD010017   | BALL STUD (VGRT)                                | 1   | EA  |   |
| 6    | PD030012   | 6-32 HEX NUT                                    | 1   | EA  |   |
| 7    | E9101115AL | GRATE SUPT -AL- (VGRT)                          | 1   | EA  |   |
| 7    | E9101115BK | GRATE SUPT *BK* (VGRT)                          | 1   | EA  |   |
| 7    | E9101115BU | GRATE SUPT -BU- (VGRT)                          | 1   | EA  | Not available online / Call for pricing and availability                      |
| 7    | E9101115FG | GRATE SUPT -FG- (VGRT)                          | 1   | EA  | Not available online / Call for pricing and availability                      |
| 7    | E9101115PL | GRATE SUPT *PL* (VGRT)                          | 1   | EA  | NO LONGER AVAILABLE, Not available online / Call for pricing and availability |
| 7    | E9101115VB | GRATE SUPT -VB- (VGRT)                          | 1   | EA  | Not available online / Call for pricing and availability                      |





| Item | Part No.    | Name                                       | Qty | Uom | NOTES   |
|------|-------------|--|-----|-----|---|
| 7    | E9101115WH  | GRATE SUPT *WH* (VGRT)                     | 1   | EA  |   |
| 8    | B2002345    | SIDE TRIM - RH (VGSS)                      | 1   | EA  |   |
| 8    | C9302345BR  | SIDE TRIM - RH (VGSS) *BR*                 | 1   | EA  |   |
| 9    | B2002346    | SIDE TRIM - LH (VGSS)                      | 1   | EA  |   |
| 9    | C9302346BR  | SIDE TRIM - LH (VGSS) *BR*                 | 1   | EA  | Not available online / Call for pricing and availability                      |
| 10   | G3101427    | DRIP TRAY ASSY - (VGSC 30)<br>RIVITED, NLA | 1   | EA  |   |
| 11   | B2001840    | SUB TO PK010017 - D<br>HNDLE(VGRC605)      | 1   | EA  | NO LONGER AVAILABLE, Not available online / Call for pricing and availability |
| 11   | C9301840PVD | DRIP TY HDLE REPL<br>C9301840BR            | 1   | EA  | Not available online / Call for pricing and availability                      |
| 12   | PD010003    | 10-24 X 1/2<br>PH.TR.HD.SERD.M.S.          | 1   | EA  |   |
| 13   | PD040004    | GROMMET BUMPER                             | 1   | EA  |   |
| 14   | PD030005    | SELF RETAINING NUT                         | 1   | EA  |   |
| NI   | PD030010    | #10-24 KEPS NUT ZINC<br>PLATED             | 1   | EA  |   |

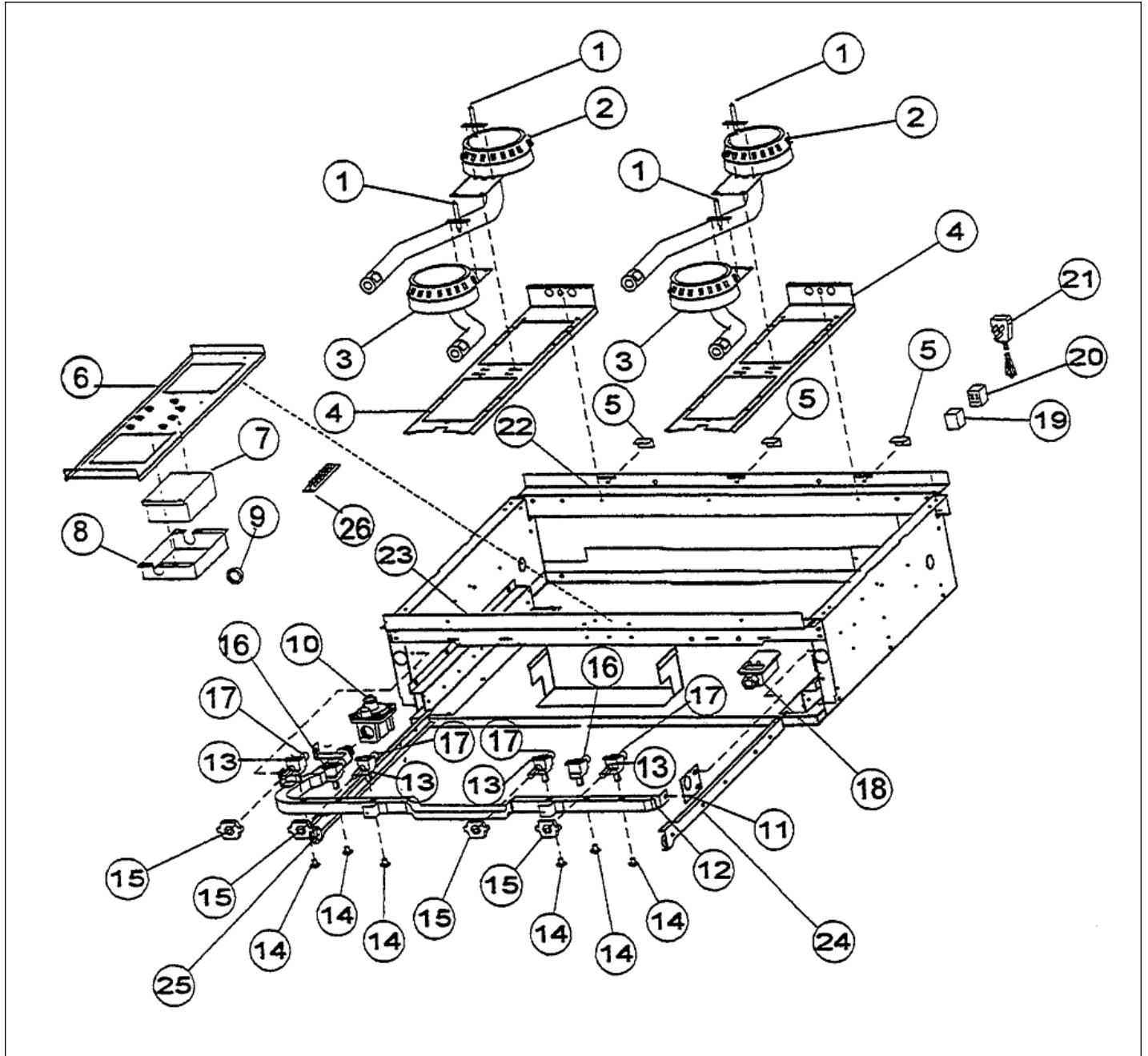
BURNER BOX SUBASSEMBLY







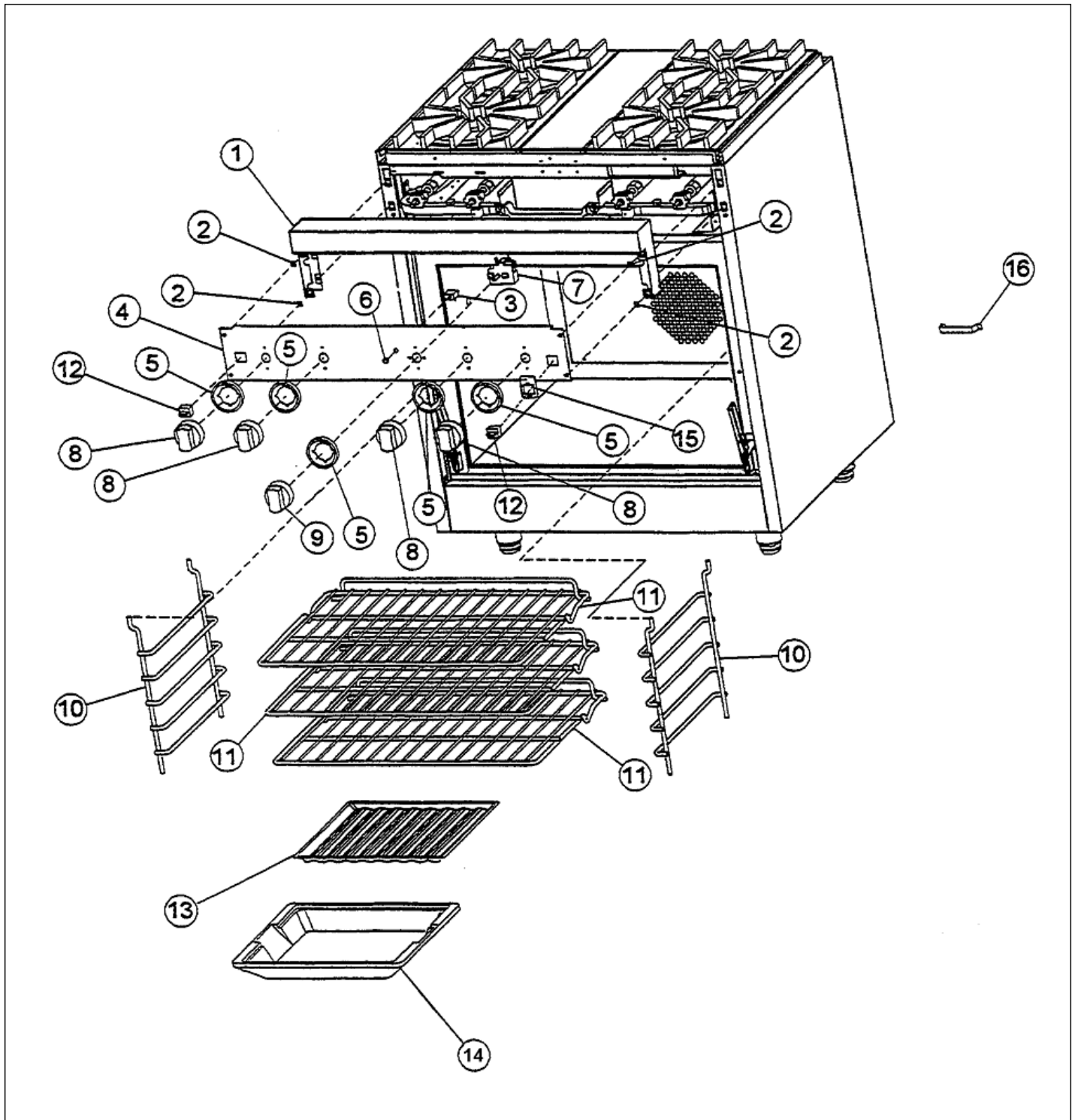
| Item         | Part No.   | Name   | Qty | Uom | NOTES   |
|--------------|------------|--|-----|-----|---|
| 1            | PA020028   | SPARK IGNITER  |     | EA  |   |
| 2            | PA080036   | TOP BURNER REAR REPL<br>PA080008                     |     | EA  |   |
| 3            | PA080037   | TOP BURNER FRONT REPL<br>PA080007                    |     | EA  |   |
| 4            | A2001112   | BURNER SUPT (VGRT)                                   |     | EA  |   |
| 5            | A2001147   | GRATE SUPT ANGLE (VGRT)                              |     | EA  |   |
| 6            | A2001456   | SPARK MODULE SUPT<br>(VGSS/SC)                       |     | EA  |   |
| 7            | PA020041   | TYTRONICS 0+4 SPARK<br>MODULE                        |     | EA  | See 2018-02P  |
| 8            | A2001432   | SPARK MODULE/TERMINAL<br>COVER                       |     | EA  | NO LONGER<br>AVAILABLE  |
| 9            | PD040005   | SNAP BUSHING - 7/8"                                  |     | EA  |   |
| 10           | PA070003   | PRESSURE REGULATOR                                   |     | EA  |   |
| 11           | A1001138   | MANIFOLD BRKT  |     | EA  | NO LONGER<br>AVAILABLE, Not<br>available online /<br>Call for pricing<br>and availability |
| 12           | PA050095   | MANIFOLD PIPE - 30"                                  |     | EA  |   |
| 13           | G50012678  | TOP BURNER VALVE KIT<br>(BRASS VALVE<br>REPLACEMENT) |     | EA  |   |
| NI           | PA020029   | Switch Spacer  |     | EA  |   |
| Not<br>Shown | NOTE       | (AFTER SERIAL NO.<br>R08090218539)                   |     | EA  |   |
| 14           | PD010012   | 1/4 x 3/8 VALVE BOLT                                 |     | EA  |   |
| 15           | PA020015   | Spark Ignition Switch                                |     | EA  |   |
| Not<br>Shown | NOTE       | (BEFORE 09/22/04)                                    |     | EA  |   |
| 15           | PA020045   | Spark Ignition Switch                                |     | EA  |   |
| Not<br>Shown | NOTE       | (After 09/22/04)                                     |     | EA  |   |
| 16           | 003862-000 | SHUTOFF VALVE (PB030002<br>VALVE AND BOLT KIT)       |     | EA  |   |
| 17           | PB040034   | ORIFICE HOOD-#50 (NAT)                               |     | EA  |   |
| Not<br>Shown | PB040036   | ORIFICE HOOD-#57 (LP)                                |     | EA  |   |
| 18           | PB010034   | SINGLE THERMAL VALVE - 36"<br>BUILT-IN               |     | EA  |   |



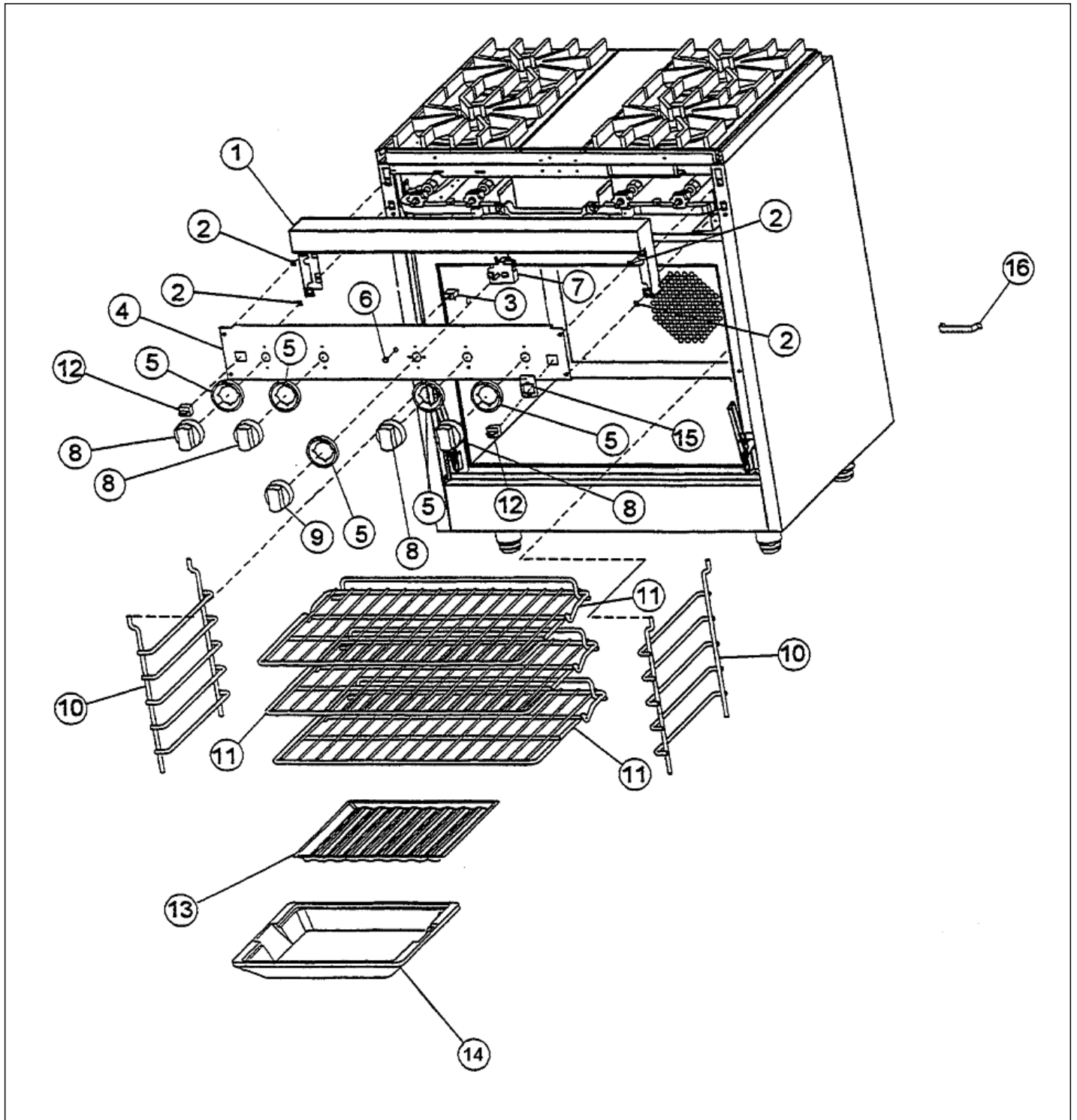


| Item      | Part No. | Name                             | Qty | Uom | NOTES  |
|-----------|----------|----------------------------------|-----|-----|--|
| Not Shown | NOTE     | (BEFORE SERIAL NO. R01179700658) |     | EA  |  |
| NI        | PB010083 | SINGLE THERMAL VALVE LH (OVEN)   |     | EA  |  |
| Not Shown | NOTE     | (BEFORE SERIAL NO. R01179700658) |     | EA  |  |
| 19        | PE070070 | Disconnect Block - Male          |     | EA  |  |
| 20        | PE070071 | Disconnect Block - Female        |     | EA  |  |
| 21        | PE070128 | Supply Cord                      |     | EA  |  |
| NI        | PE070068 | SUPPLY CORD                      |     | EA  |  |
| 22        | A2002364 | REAR BURNER SUPT VGSC/SS30       |     | EA  |  |
| 23        | A2001404 | FRONT BURNER HOLDER (VGSS)       |     | EA  | NO LONGER AVAILABLE                                      |
| 24        | PK000008 | Drip Tray Guide - RH             |     | EA  | NO LONGER AVAILABLE                                      |
| 25        | PK000007 | DRIP TRAY GUIDE - LH (VGRT)      |     | EA  | NO LONGER AVAILABLE                                      |
| 26        | PE050001 | TERMINAL BOARD                   |     | EA  |  |
| NI        | PB020038 | BROIL TUBING                     |     | EA  | Not available online / Call for pricing and availability |
| NI        | PE070719 | IGNITOR WIRE KIT - VDSC3674Q     |     | EA  |  |

CONTROL - RACK ASSY



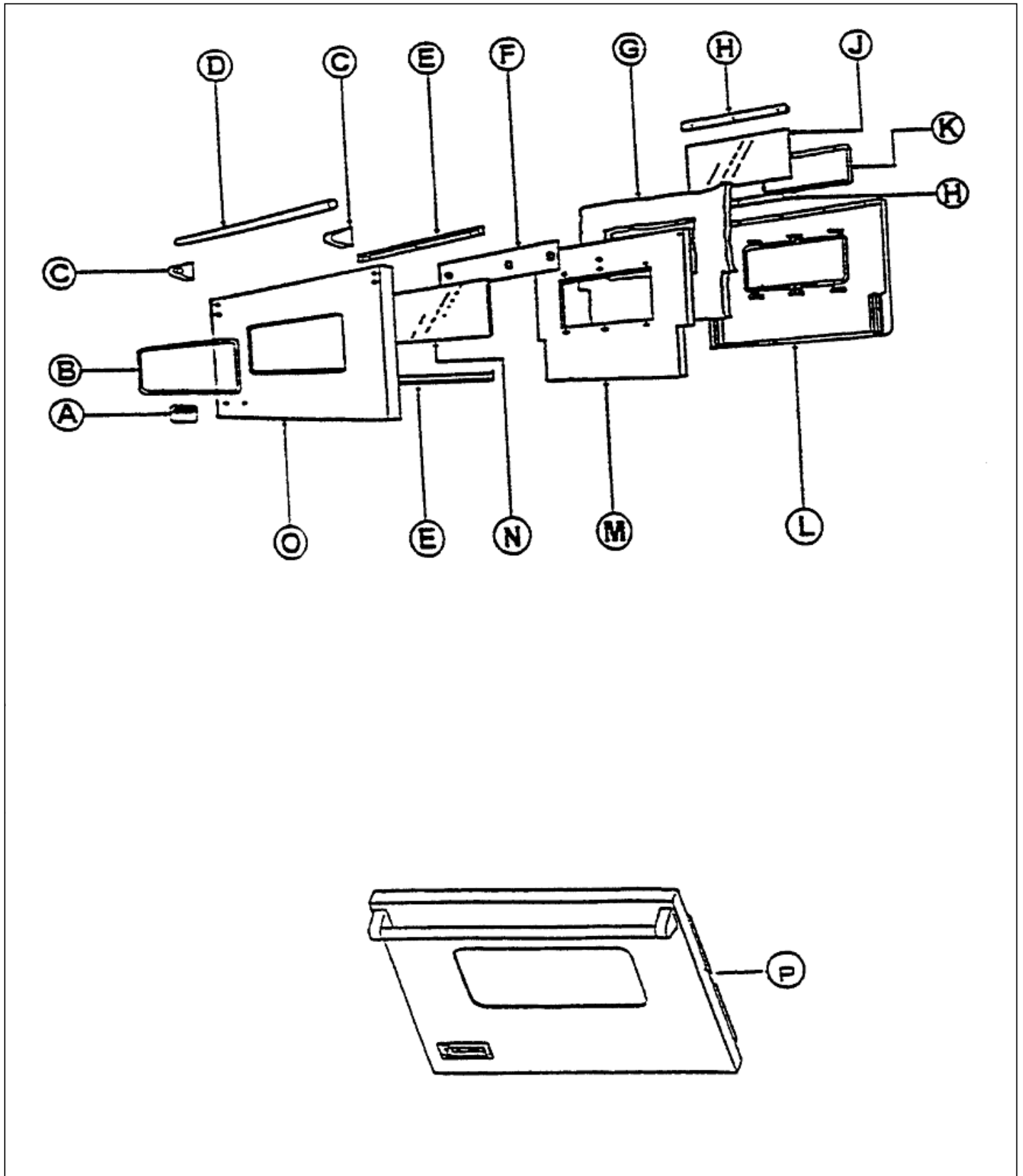
| Item  | Part No.   | Name  | Qty | Uom | NOTES  |
|---|------------|---|-----|-----|--|
| 1   | G3001406   | LANDING LEDGE ASSY - NLA                          |     | EA  |  |
| 2   | PD030050   | 10-24 CAGE NUT *SS*                               |     | EA  |  |
| 3   | PE050024   | OVEN IND. LIGHT (LIGHT HOUSING)                   |     | EA  |  |
| <p>Comments for Part Num. PE050024</p> <p>haarnink@vikingrange.com on Jan 14, 2019<br/>                     please note that the indicator light is now part 043135-000 but needs the Jumper harness 051443-000. and second option there are units in the field with a 230V indicator light part number 036566-000.</p> <p>please check this for all "E" module ranges/Tops</p>   |            |   |     |     |  |
| 4   | B9201791   | CONTROL PANEL (VGSC)                              |     | EA  | Not available online / Call for pricing and availability |
| 5   | 050172-000 | BEZEL, KNOB                                       |     | EA  |  |
| 5   | PB010209   | Bezel - BR  |     | EA  |  |
| 6   | PE050023   | OVEN IND. LIGHT (LENS & BEZEL)                    |     | EA  |  |
| 7   | PB010036   | THERMOSTAT BAKE/BROIL                             |     | EA  |  |
| 8   | G50012681  | TOP BURNER VALVE KIT (ALUMINUM VALVE REPLACEMENT) |     | EA  |  |
| Not Shown   | NOTE       | ORDER IF VALVE HAS NEVER BEEN REPLACED            |     | EA  |  |
| 8   | PB010206   | TOP BURNER KNOB BK                                |     | EA  |  |
| Not Shown   | NOTE       | IF VALVE HAS BEEN REPLACED                        |     | EA  |  |
| 9   | PB010099   | T/STAT B/B KNOB BK REPL PB010039BK*               |     | EA  |  |
| <p>Comments for Part Num. PB010099</p> <p>imardr@att.net on Nov 8, 2015<br/>                     need to list the white knob for a VGIC3054BWH<br/>                     Reply by bradleysapplianceservice@shaw.ca on Sep 30, 2016<br/>                     The White Knobs are NLA. Only Black are available.<br/>                     bradleysapplianceservice@shaw.ca on Sep 30, 2016<br/>                     THE WHITE KNOBS ARE NLA. ONLY BLACK KNOBS ARE AVAILABLE.</p> |            |   |     |     |  |
| 9   | PB010100   | THERMOSTAT BAKE/BROIL KNOB *WH* N/S               |     | EA  |  |





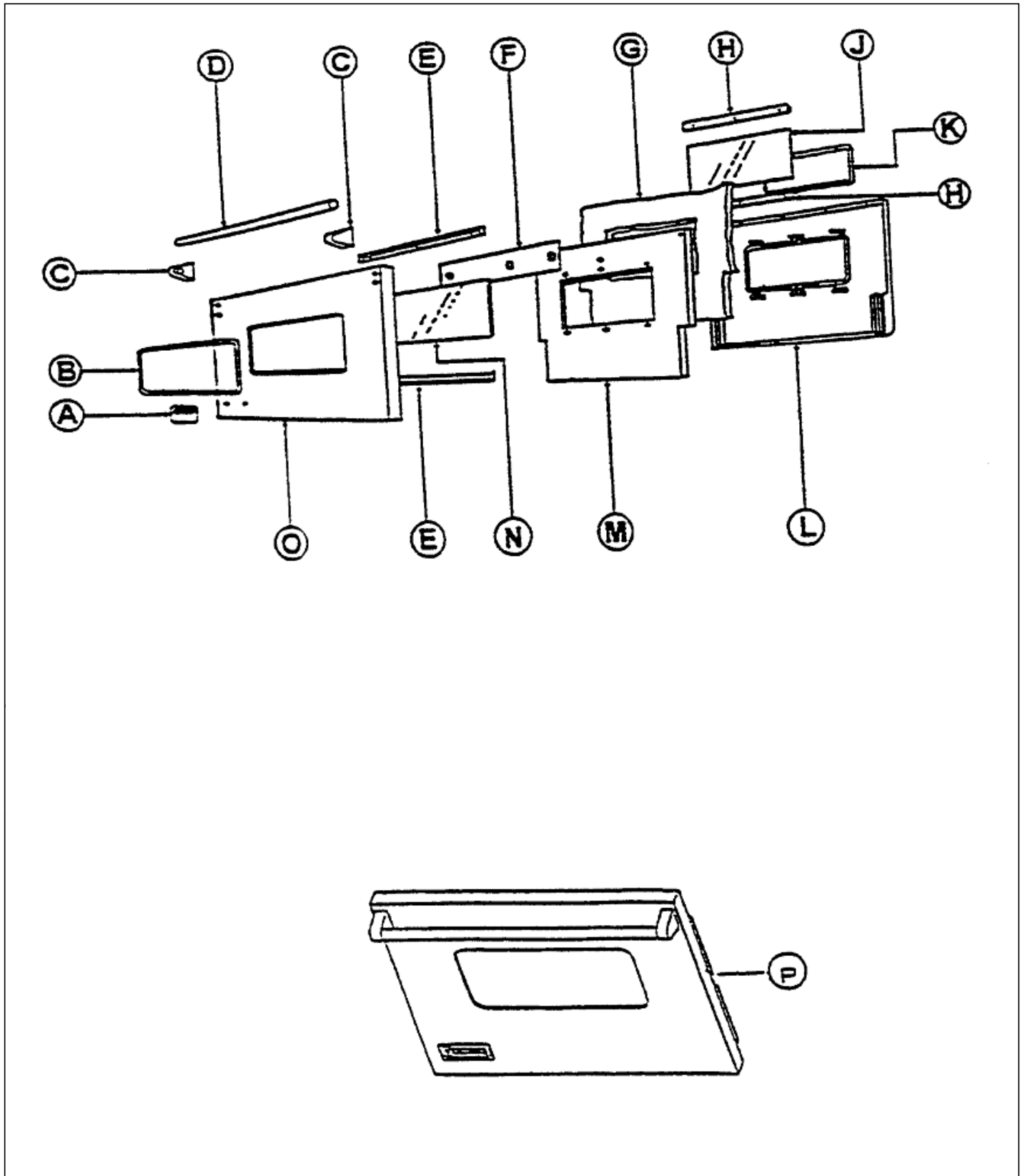
| Item | Part No. | Name                                    | Qty | Uom | NOTES   |
|------|----------|---|-----|-----|---|
| 9    | PB010091 | T/STAT BK/BRL KNB*BK*REP<br>PB010016    |     | EA  |   |
| 9    | PB010092 | T/STAT BAK/BROL KNB*WH*-<br>SC/RC-(VLOX |     | EA  |   |
| 10   | PB060018 | OVEN RACK SUPPORT                       |     | EA  | Not available<br>online / Call for<br>pricing and<br>availability |
| 11   | PB060038 | RACK REPL PB060011                      |     | EA  |   |
| 12   | PE050016 | OVEN LIGHT SWITCH - *BK*<br>(WES-GAR)   |     | EA  |   |
| 12   | PE050017 | OVEN LIGHT SWITCH - *WH*<br>(WES-GAR)   |     | EA  |   |
| 13   | E9107934 | BROILER PAN INSERT - NLA                |     | EA  |   |
| 14   | E9107933 | BROILER PAN                             |     | EA  |   |
| 15   | PE010081 | CONVECTION-LABEL/PLATE<br>(CHROME)      |     | EA  |   |
| 15   | PE010082 | CONVECTION-LABEL/PLATE<br>(*BR*)        |     | EA  |   |
| 16   | A2001259 | ANTI-TIP DEVICE                         |     | EA  |   |

DOOR - AFTER 2-94

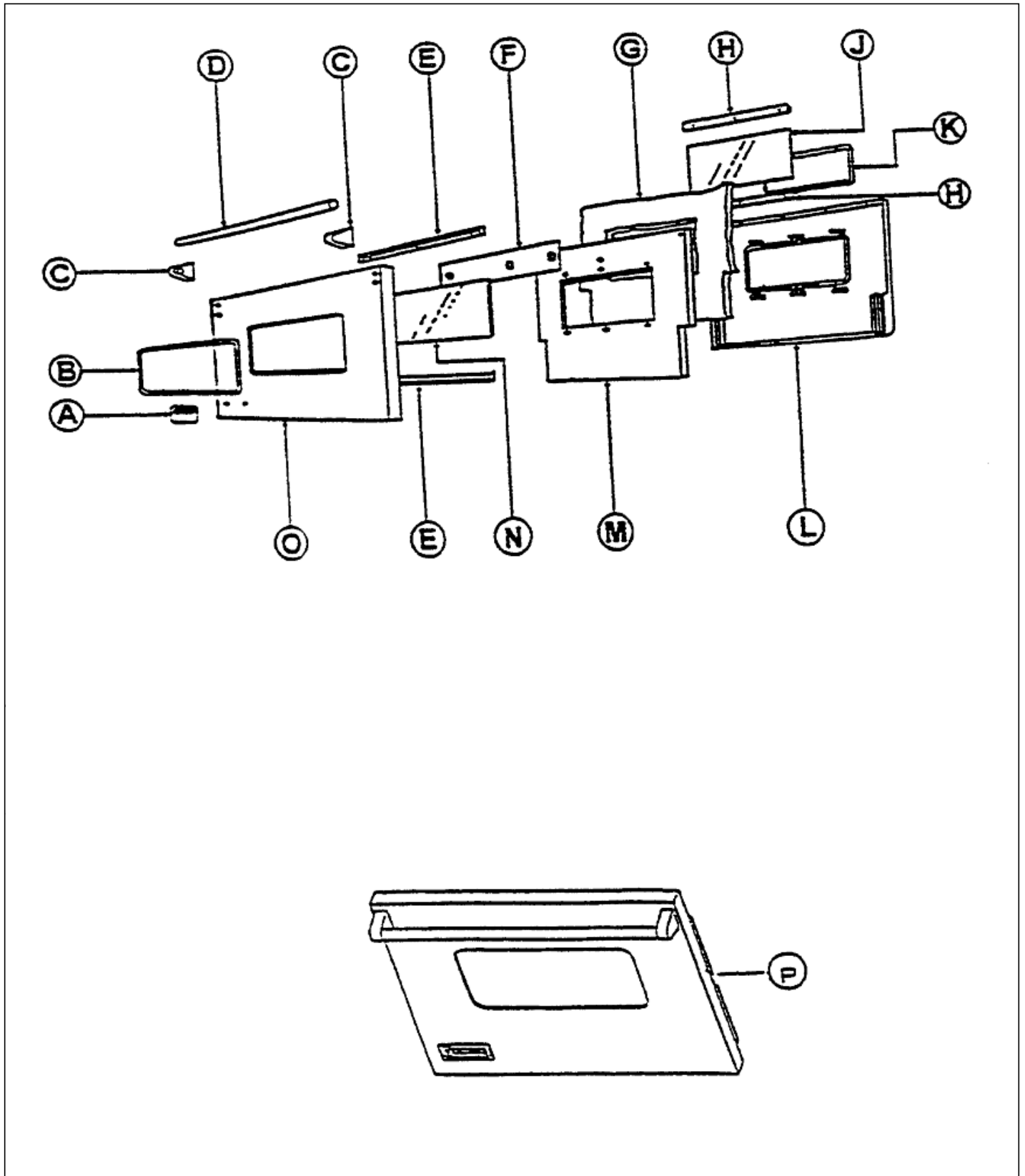




| Item | Part No.    | Name                                     | Qty | Uom | NOTES   |
|------|-------------|--|-----|-----|---|
| A    | PE010016    | LOGO (ALL RANGES) *BK/CHR<br>307997W     | 1   | EA  |   |
| A    | PE010017    | LOGO<br>(VGSO,VEDO,VGDO,VUD)<br>*WH/CHR  | 1   | EA  |   |
| A    | PE010079    | 4.5" LOGO/VIKING PROF<br>*BK/BR          | 1   | EA  |   |
| A    | PE010080    | 4.5" LOGO/VIKING PROF<br>*WH/BR          | 1   | EA  |   |
| B    | PE060007    | J-MOLD (1" RADIUS)                       | 1   | EA  |   |
| B    | PE060020    | J-MOLD (VGSO OVN DOOR)<br>*BR*           | 1   | EA  |   |
| C    | 000268-000  | HANDLE ENDCAP                            | 1   | EA  |   |
| C    | PE030001PVD | END CAP DOOR HANDLE *BR                  | 1   | EA  |   |
| D    | PE030005    | DOOR HANDLE -<br>VGSC30/RC60/RC48RH      | 1   | EA  |   |
| D    | PE030012    | HANDLE - BR                              | 1   | EA  | Not available<br>online / Call for<br>pricing and<br>availability                         |
| E    | A2001447    | OUTER DOOR GLASS<br>RETAINER             | 1   | EA  |   |
| F    | A1001381    | DOOR HEAT BAFFLE<br>(VGSC/VGSS)          | 1   | EA  |   |
| G    | PB070034    | INSULATION-TRS-10 1" X 20" X<br>77' ROLL | 1   | EA  |   |
| H    | A2001480    | INNER DOOR GLASS<br>RETAINER             | 1   | EA  |   |
| J    | PE060008    | GLASS REPL PE060009                      | 1   | EA  |   |
| K    | PB070014    | DOOR GLASS SEAL STRIP -<br>WINDOW DRS.   | 1   | EA  |   |
| L    | H9101928    | OVEN DR LINER ASSY<br>(30)W/WD (MC)      | 1   | EA  |   |
| L    | H9101929    | OVEN DR LINER ASSY<br>(SS/SC)N/W MC      | 1   | EA  |   |
| M    | A2001718    | DOOR INSUL RETAINER<br>(VGSC/SS) W/W     | 1   | EA  | NO LONGER<br>AVAILABLE  |
| M    | A2001719    | DOOR INSUL RETAINER<br>(VGSC/SS) N/W     | 1   | EA  | NO LONGER<br>AVAILABLE, Not<br>available online /<br>Call for pricing<br>and availability |
| N    | PE060018    | OVEN GLASS-<br>TEMPERED,SCREENED*BK*     | 1   | EA  |   |

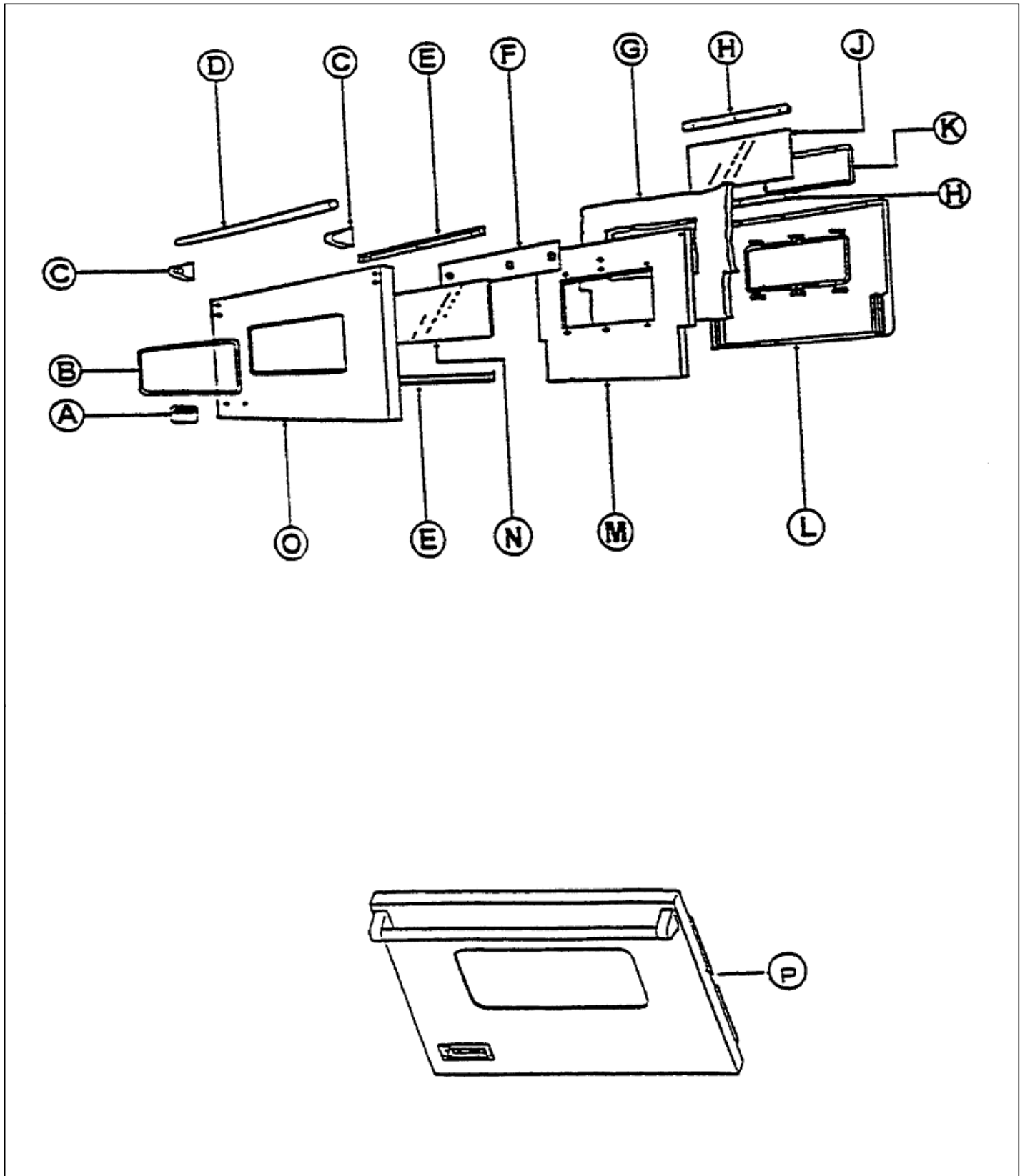


| Item | Part No.   | Name                                | Qty | Uom | NOTES   |
|------|------------|-------------------------------------|-----|-----|---|
| O    | H3001720   | O/S DR PNL *SS* (SC/SS) W/W         | 1   | EA  |   |
| O    | H9001721AL | O/S DOOR PANEL ASSY *AL* (SC/SS) W/ | 1   | EA  | Not available online / Call for pricing and availability                      |
| O    | H9001721BK | O/S DOOR PANEL ASSY *BK* (SC/SS) W/ | 1   | EA  |   |
| O    | H9001721BU | O/S DOOR PANEL ASSY *BU* (SC/SS) W/ | 1   | EA  | NO LONGER AVAILABLE, Not available online / Call for pricing and availability |
| O    | H9001721FG | O/S DOOR PANEL ASSY *FG* (SC/SS) W/ | 1   | EA  | NO LONGER AVAILABLE, Not available online / Call for pricing and availability |
| O    | H9001721PL | O/S DOOR PANEL ASSY *PL* (SC/SS) W/ | 1   | EA  | NO LONGER AVAILABLE, Not available online / Call for pricing and availability |
| O    | H9001721VB | O/S DOOR PANEL ASSY *VB* (SC/SS) W/ | 1   | EA  | NO LONGER AVAILABLE, Not available online / Call for pricing and availability |
| O    | H9001721WH | O/S DR PNL ASSY *WH SC/SS W/W       | 1   | EA  |   |
| O    | B2001722   | O/S DOOR PANEL *SS* (VGSC/SS) N/W   | 1   | EA  | NO LONGER AVAILABLE, Not available online / Call for pricing and availability |
| O    | H9001723AL | O/S DOOR PANEL W/O WINDOW - AL      | 1   | EA  | Not available online / Call for pricing and availability                      |
| O    | H9001723BK | O/S DOOR PANEL W/O WINDOW - BK      | 1   | EA  | Not available online / Call for pricing and availability                      |
| O    | H9001723BU | O/S DOOR PANEL W/O WINDOW - BU      | 1   | EA  | Not available online / Call for pricing and availability                      |
| O    | H9001723FG | O/S DOOR PANEL W/O WINDOW - FG      | 1   | EA  | Not available online / Call for pricing and availability                      |

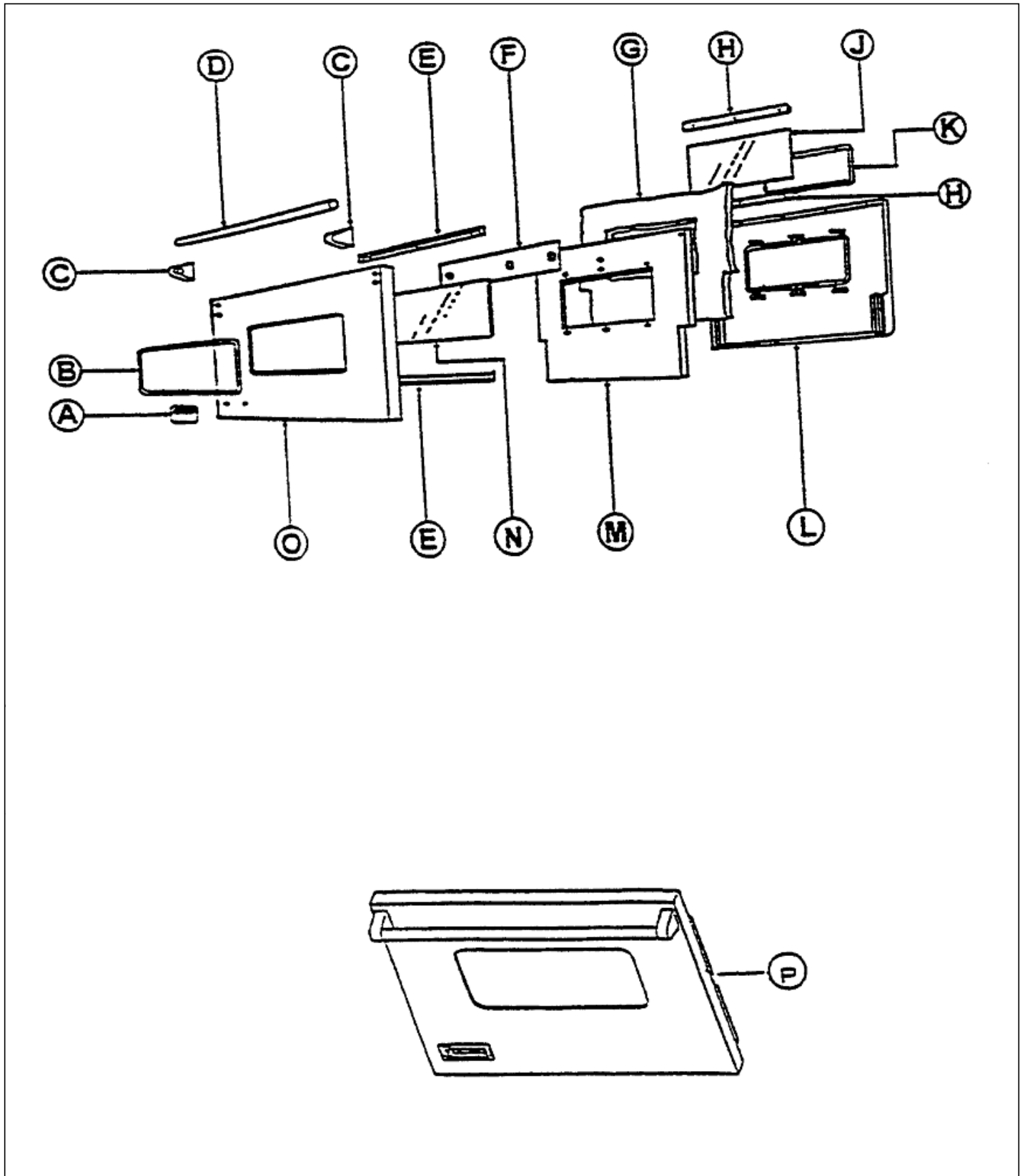




| Item | Part No.     | Name                           | Qty | Uom | NOTES   |
|------|--------------|--------------------------------|-----|-----|---|
| O    | H9001723PL   | O/S DOOR PANEL W/O WINDOW - PL | 1   | EA  | Not available online / Call for pricing and availability                      |
| O    | H9001723VB   | O/S DOOR PANEL W/O WINDOW - VB | 1   | EA  | Not available online / Call for pricing and availability                      |
| O    | H9001723WH   | O/S DOOR PANEL W/O WINDOW - WH | 1   | EA  | Not available online / Call for pricing and availability                      |
| P    | G3201925AL   | DOOR ASSY*AL*                  | 1   | EA  | NO LONGER AVAILABLE, Not available online / Call for pricing and availability |
| P    | G3201925ALBR | DOOR ASSY*AL*                  | 1   | EA  | NO LONGER AVAILABLE, Not available online / Call for pricing and availability |
| P    | G3201925BK   | DOOR ASSY*BK*                  | 1   | EA  | NO LONGER AVAILABLE   |
| P    | G3201925BKBR | DOOR ASSY*BK*                  | 1   | EA  | NO LONGER AVAILABLE, Not available online / Call for pricing and availability |
| P    | G3201925BU   | DOOR ASSY*BU*                  | 1   | EA  |   |
| P    | G3201925BUBR | DOOR ASSEMBLY W/ WINDOW - BUBR | 1   | EA  | Not available online / Call for pricing and availability                      |
| P    | G3201925FG   | DOOR ASSY *FG* (SS/SC) W/W     | 1   | EA  | NO LONGER AVAILABLE, Not available online / Call for pricing and availability |
| P    | G3201925FGBR | DOOR ASSY*FG*                  | 1   | EA  | NO LONGER AVAILABLE, Not available online / Call for pricing and availability |
| P    | G3201925PL   | DOOR ASSY*PL*                  | 1   | EA  | NO LONGER AVAILABLE, Not available online / Call for pricing and availability |



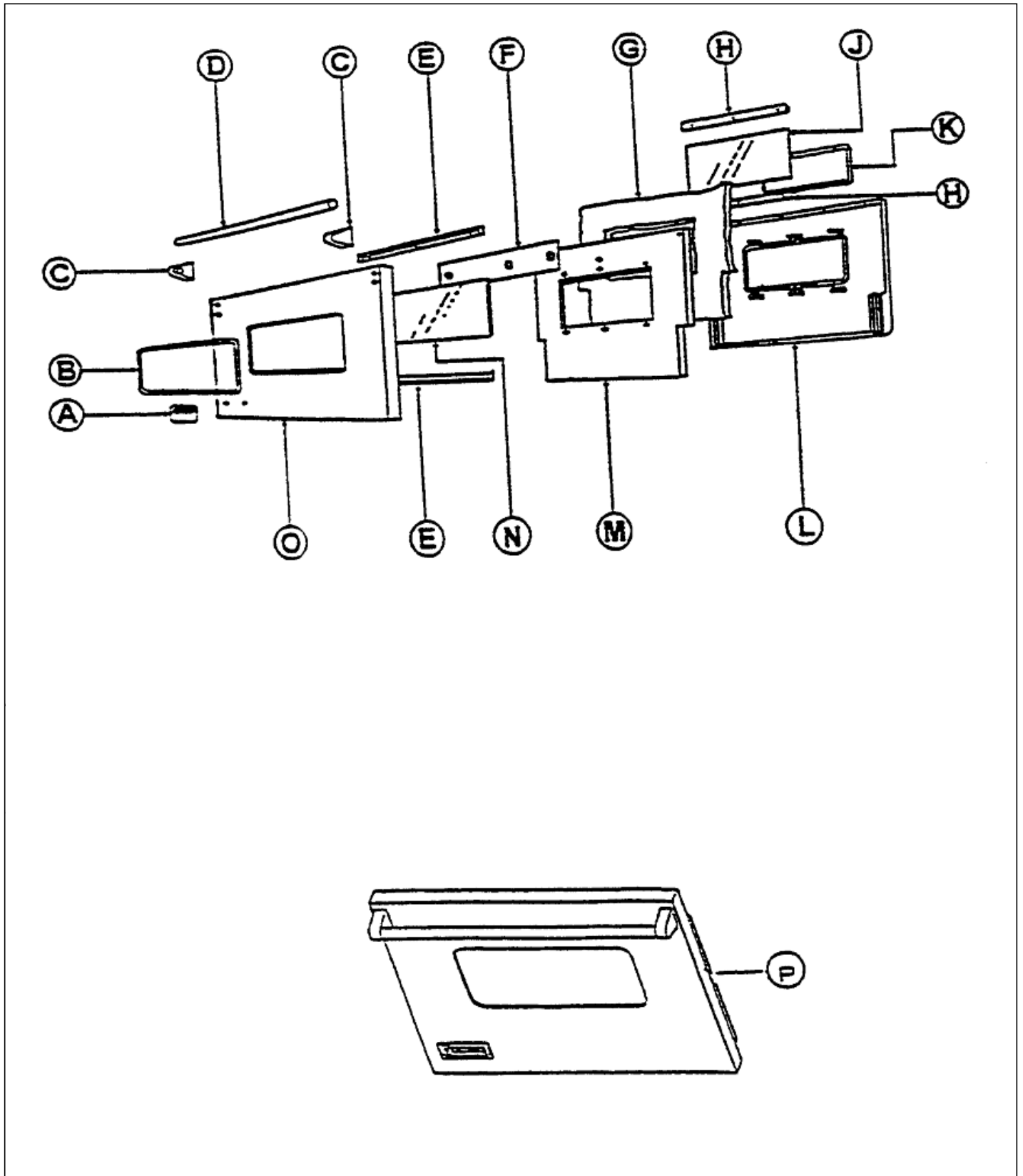
| Item | Part No.     | Name                           | Qty | Uom | NOTES   |
|------|--------------|--------------------------------|-----|-----|---|
| P    | G3201925PLBR | DOOR ASSY*PL*                  | 1   | EA  | NO LONGER AVAILABLE, Not available online / Call for pricing and availability |
| P    | G3201925SS   | DOOR ASSY *SS* (SS/SC) W/W     | 1   | EA  | NO LONGER AVAILABLE   |
| P    | G3201925SSBR | DOOR ASSEMBLY W/ WINDOW - SSBR | 1   | EA  | Not available online / Call for pricing and availability                      |
| P    | G3201925VB   | DOOR ASSY*VB* (SS/SC) W/W      | 1   | EA  | NO LONGER AVAILABLE, Not available online / Call for pricing and availability |
| P    | G3201925VBBR | DOOR ASSY*VB*                  | 1   | EA  | NO LONGER AVAILABLE, Not available online / Call for pricing and availability |
| P    | G3201925WH   | DOOR ASSY*WH*                  | 1   | EA  |   |
| P    | G3201925WHBR | DOOR ASSY*WH*                  | 1   | EA  |   |
| P    | G3201927AL   | DOOR ASSY*AL* (SS/SC) N/W      | 1   | EA  | NO LONGER AVAILABLE, Not available online / Call for pricing and availability |
| P    | G3201927ALBR | DOOR ASSY*AL*                  | 1   | EA  | NO LONGER AVAILABLE, Not available online / Call for pricing and availability |
| P    | G3201927BK   | DOOR ASSY*BK* (SS/SC) N/W      | 1   | EA  | NO LONGER AVAILABLE, Not available online / Call for pricing and availability |
| P    | G3201927BKBR | DOOR ASSY*BK*                  | 1   | EA  | NO LONGER AVAILABLE, Not available online / Call for pricing and availability |
| P    | G3201927BU   | DOOR ASSY*BU* (SS/SC) N/W      | 1   | EA  | NO LONGER AVAILABLE, Not available online / Call for pricing and availability |
| P    | G3201927BUBR | DOOR ASSY*BU*                  | 1   | EA  | NO LONGER AVAILABLE, Not available online / Call for pricing and availability |





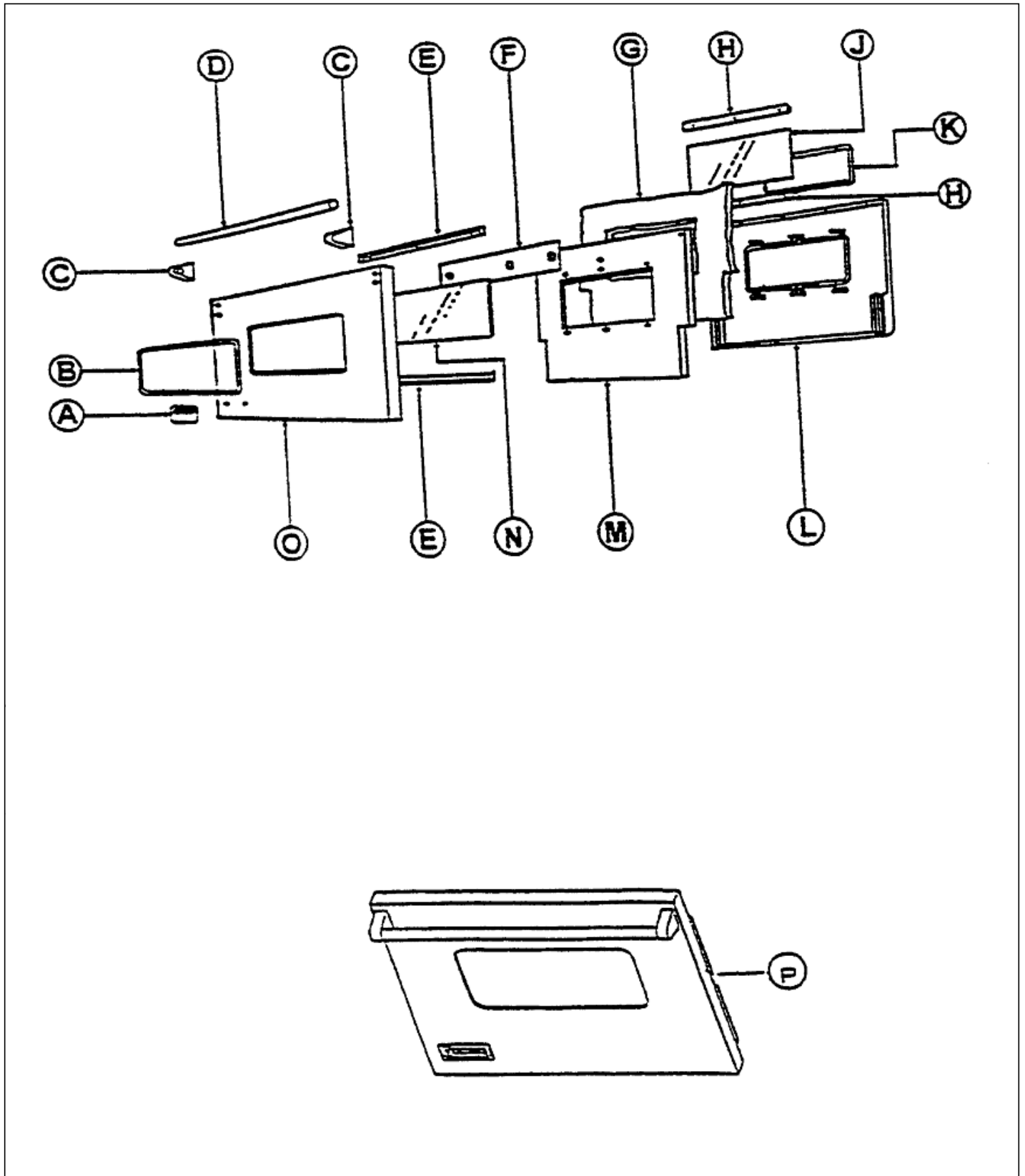
| Item | Part No.     | Name                           | Qty | Uom | NOTES   |
|------|--------------|--------------------------------|-----|-----|---|
| P    | G3201927FG   | DOOR ASSY*FG* (SS/SC) N/W      | 1   | EA  | NO LONGER AVAILABLE, Not available online / Call for pricing and availability |
| P    | G3201927FGBR | DOOR ASSY*FG*                  | 1   | EA  | NO LONGER AVAILABLE, Not available online / Call for pricing and availability |
| P    | G3201927PL   | DOOR ASSY*PL* (SS/SC) N/W      | 1   | EA  | NO LONGER AVAILABLE, Not available online / Call for pricing and availability |
| P    | G3201927PLBR | DOOR ASSY*PL*                  | 1   | EA  | NO LONGER AVAILABLE, Not available online / Call for pricing and availability |
| P    | G3201927SS   | DOOR ASSY*SS* (SS/SC) N/W      | 1   | EA  | NO LONGER AVAILABLE   |
| P    | G3201927SSBR | DOOR ASSY *SS**BR* (SS/SC) N/W | 1   | EA  | NO LONGER AVAILABLE, Not available online / Call for pricing and availability |
| P    | G3201927VB   | DOOR ASSY *VB* (SS/SC) N/W     | 1   | EA  | NO LONGER AVAILABLE, Not available online / Call for pricing and availability |
| P    | G3201927VBBR | DOOR ASSY*VB*                  | 1   | EA  | NO LONGER AVAILABLE, Not available online / Call for pricing and availability |
| P    | G3201927WH   | DOOR ASSY*WH* (SS/SC) N/W      | 1   | EA  | NO LONGER AVAILABLE, Not available online / Call for pricing and availability |
| P    | G3201927WHBR | DOOR ASSY*WH*                  | 1   | EA  | NO LONGER AVAILABLE, Not available online / Call for pricing and availability |

DOOR - BEFORE 2-94

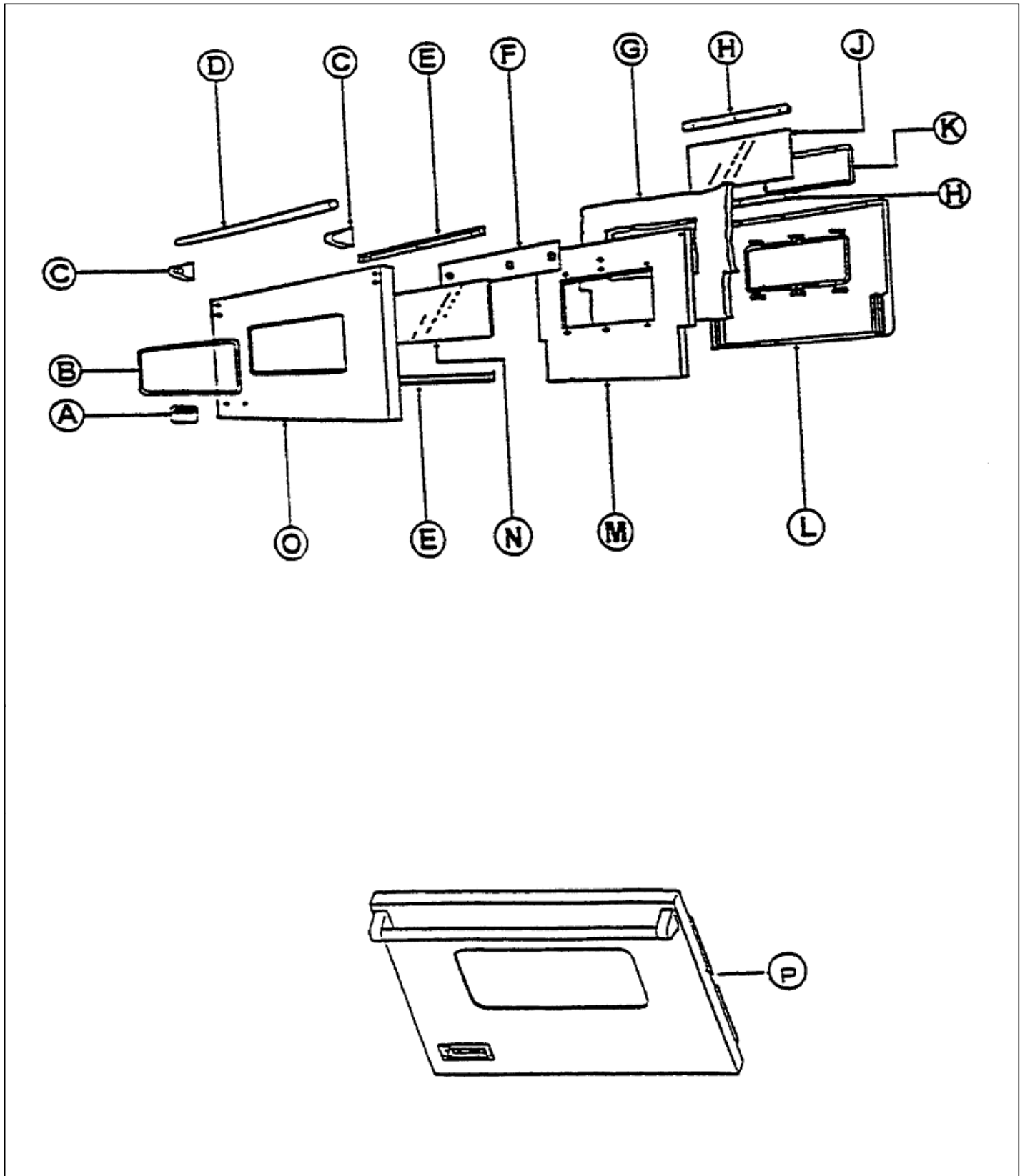




| Item | Part No.   | Name                                     | Qty | Uom | NOTES   |
|------|------------|--|-----|-----|---|
| A    | PE010016   | LOGO (ALL RANGES) *BK/CHR<br>307997W     | 1   | EA  |   |
| A    | PE010017   | LOGO<br>(VGSO,VEDO,VGDO,VUD)<br>*WH/CHR  | 1   | EA  |   |
| B    | PE060007   | J-MOLD (1" RADIUS)                       | 1   | EA  |   |
| C    | 000268-000 | HANDLE ENDCAP                            | 1   | EA  |   |
| D    | PE030005   | DOOR HANDLE -<br>VGSC30/RC60/RC48RH      | 1   | EA  |   |
| E    | A2001447   | OUTER DOOR GLASS<br>RETAINER             | 1   | EA  |   |
| F    | A1001381   | DOOR HEAT BAFFLE<br>(VGSC/VGSS)          | 1   | EA  |   |
| G    | PB070034   | INSULATION-TRS-10 1" X 20" X<br>77' ROLL | 1   | EA  |   |
| H    | A2001480   | INNER DOOR GLASS<br>RETAINER             | 1   | EA  |   |
| J    | PE060008   | GLASS REPL PE060009                      | 1   | EA  |   |
| K    | PB070014   | DOOR GLASS SEAL STRIP -<br>WINDOW DRS.   | 1   | EA  |   |
| L    | H9101714   | OVEN DR LINER ASSY<br>(VGSC/SS) W/W      | 1   | EA  |   |
| L    | H9101715   | OVEN DR LINER ASSY<br>(VGSC/SS) N/W      | 1   | EA  | NO LONGER<br>AVAILABLE, Not<br>available online /<br>Call for pricing<br>and availability |
| M    | A2001718   | DOOR INSUL RETAINER<br>(VGSC/SS) W/W     | 1   | EA  | NO LONGER<br>AVAILABLE  |
| M    | A2001719   | DOOR INSUL RETAINER<br>(VGSC/SS) N/W     | 1   | EA  | NO LONGER<br>AVAILABLE, Not<br>available online /<br>Call for pricing<br>and availability |
| N    | PE060009   | SUB TO PE060008 - GLASS                  | 1   | EA  | NO LONGER<br>AVAILABLE, Not<br>available online /<br>Call for pricing<br>and availability |
| O    | H3001720   | O/S DR PNL *SS* (SC/SS) W/W              | 1   | EA  |   |
| O    | H9001721AL | O/S DOOR PANEL ASSY *AL*<br>(SC/SS) W/   | 1   | EA  | Not available<br>online / Call for<br>pricing and<br>availability                         |
| O    | H9001721BK | O/S DOOR PANEL ASSY *BK*<br>(SC/SS) W/   | 1   | EA  |   |

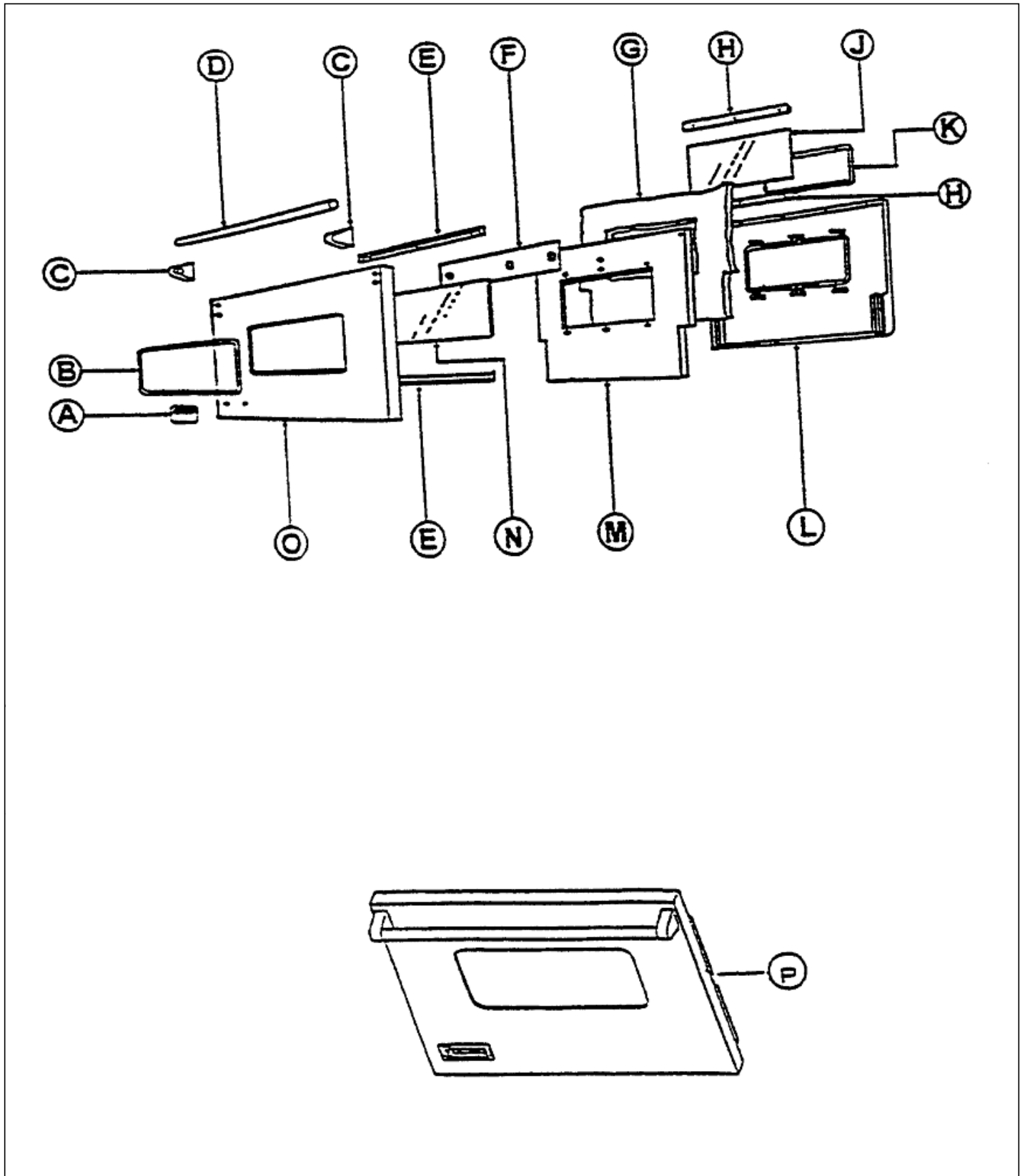


| Item | Part No.   | Name                                | Qty | Uom | NOTES   |
|------|------------|-------------------------------------|-----|-----|---|
| O    | H9001721BU | O/S DOOR PANEL ASSY *BU* (SC/SS) W/ | 1   | EA  | NO LONGER AVAILABLE, Not available online / Call for pricing and availability |
| O    | H9001721FG | O/S DOOR PANEL ASSY *FG* (SC/SS) W/ | 1   | EA  | NO LONGER AVAILABLE, Not available online / Call for pricing and availability |
| O    | H9001721PL | O/S DOOR PANEL ASSY *PL* (SC/SS) W/ | 1   | EA  | NO LONGER AVAILABLE, Not available online / Call for pricing and availability |
| O    | H9001721VB | O/S DOOR PANEL ASSY *VB* (SC/SS) W/ | 1   | EA  | NO LONGER AVAILABLE, Not available online / Call for pricing and availability |
| O    | H9001721WH | O/S DR PNL ASSY *WH SC/SS W/W       | 1   | EA  |   |
| O    | B2001722   | O/S DOOR PANEL *SS* (VGSC/SS) N/W   | 1   | EA  | NO LONGER AVAILABLE, Not available online / Call for pricing and availability |
| O    | H9001723AL | O/S DOOR PANEL W/O WINDOW - AL      | 1   | EA  | Not available online / Call for pricing and availability                      |
| O    | H9001723BK | O/S DOOR PANEL W/O WINDOW - BK      | 1   | EA  | Not available online / Call for pricing and availability                      |
| O    | H9001723BU | O/S DOOR PANEL W/O WINDOW - BU      | 1   | EA  | Not available online / Call for pricing and availability                      |
| O    | H9001723FG | O/S DOOR PANEL W/O WINDOW - FG      | 1   | EA  | Not available online / Call for pricing and availability                      |
| O    | H9001723PL | O/S DOOR PANEL W/O WINDOW - PL      | 1   | EA  | Not available online / Call for pricing and availability                      |
| O    | H9001723VB | O/S DOOR PANEL W/O WINDOW - VB      | 1   | EA  | Not available online / Call for pricing and availability                      |





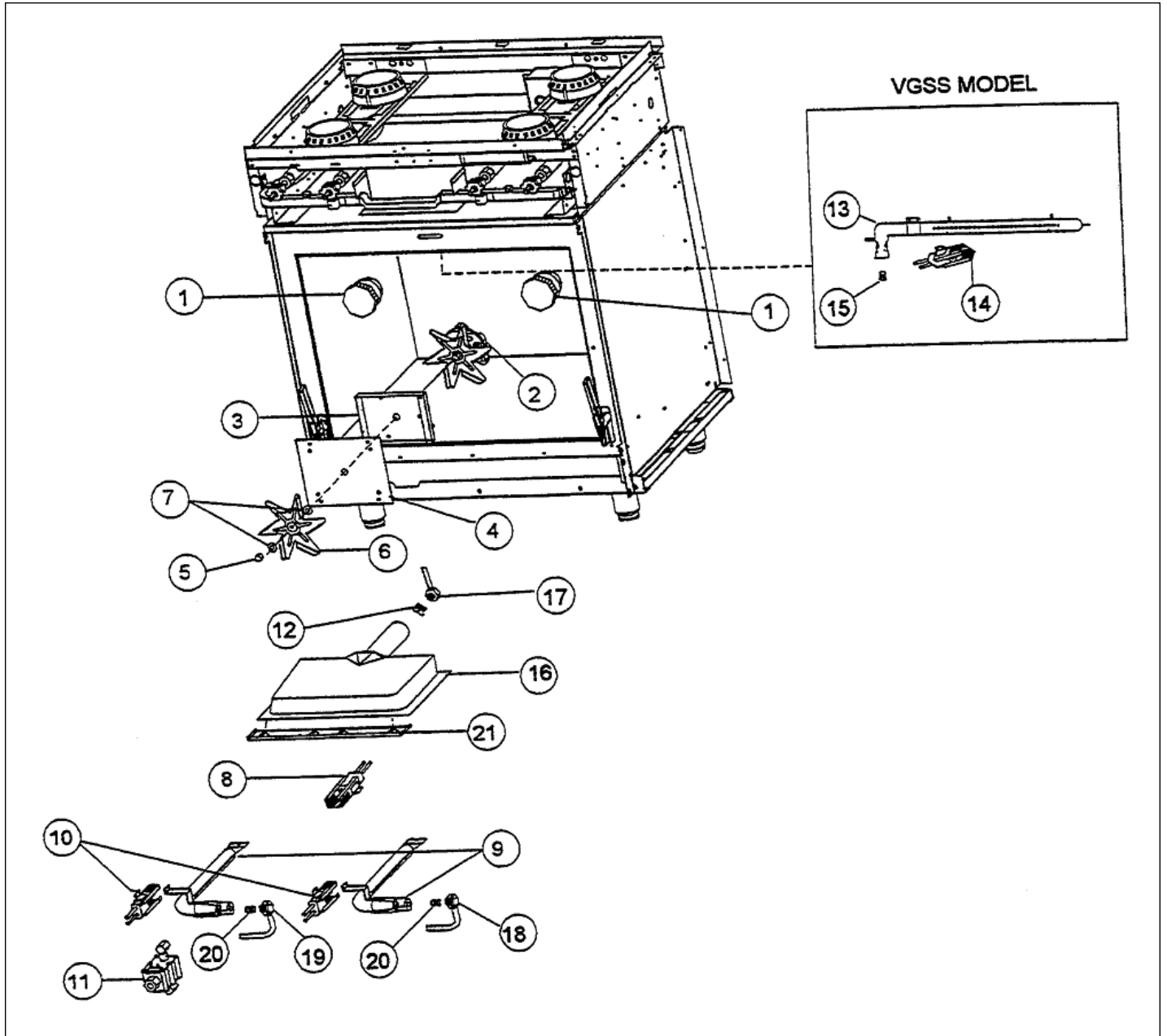
| Item | Part No.   | Name                                | Qty | Uom | NOTES   |
|------|------------|-------------------------------------|-----|-----|---|
| O    | H9001723WH | O/S DOOR PANEL W/O WINDOW - WH      | 1   | EA  | Not available online / Call for pricing and availability                      |
| P    | G3201711AL | OVEN DR ASSY *AL* (VGSC/SS) W/W     | 1   | EA  | NO LONGER AVAILABLE, Not available online / Call for pricing and availability |
| P    | G3201711BK | OVEN DR ASSY *BK* (VGSC/SS) W/W     | 1   | EA  | NO LONGER AVAILABLE, Not available online / Call for pricing and availability |
| P    | G3201711BU | OVEN DR ASSY *BU* (VGSC/SS) W/W     | 1   | EA  | NO LONGER AVAILABLE, Not available online / Call for pricing and availability |
| P    | G3201711FG | OVEN DR ASSY *FG* (VGSC/SS) W/W     | 1   | EA  | NO LONGER AVAILABLE, Not available online / Call for pricing and availability |
| P    | G3201711PL | OVEN DR ASSY *PL* (VGSC/SS) W/W     | 1   | EA  | NO LONGER AVAILABLE, Not available online / Call for pricing and availability |
| P    | G3201711SS | OVEN DOOR ASSY (VGSC/SS) W/WDW (SS) | 1   | EA  | NO LONGER AVAILABLE   |
| P    | G3201711VB | OVEN DR ASSY *VB* (VGSC/SS) W/W     | 1   | EA  | NO LONGER AVAILABLE, Not available online / Call for pricing and availability |
| P    | G3201711WH | OVEN DR ASSY *WH* (VGSC/SS) W/W     | 1   | EA  | NO LONGER AVAILABLE   |
| P    | G3201713AL | OVEN DR ASSY *AL* (VGSC/SS) N/W     | 1   | EA  | NO LONGER AVAILABLE, Not available online / Call for pricing and availability |
| P    | G3201713BK | OVEN DR ASSY *BK* (VGSC/SS) N/W     | 1   | EA  | NO LONGER AVAILABLE, Not available online / Call for pricing and availability |
| P    | G3201713BU | OVEN DR ASSY *BU* (VGSC/SS) N/W     | 1   | EA  | NO LONGER AVAILABLE, Not available online / Call for pricing and availability |



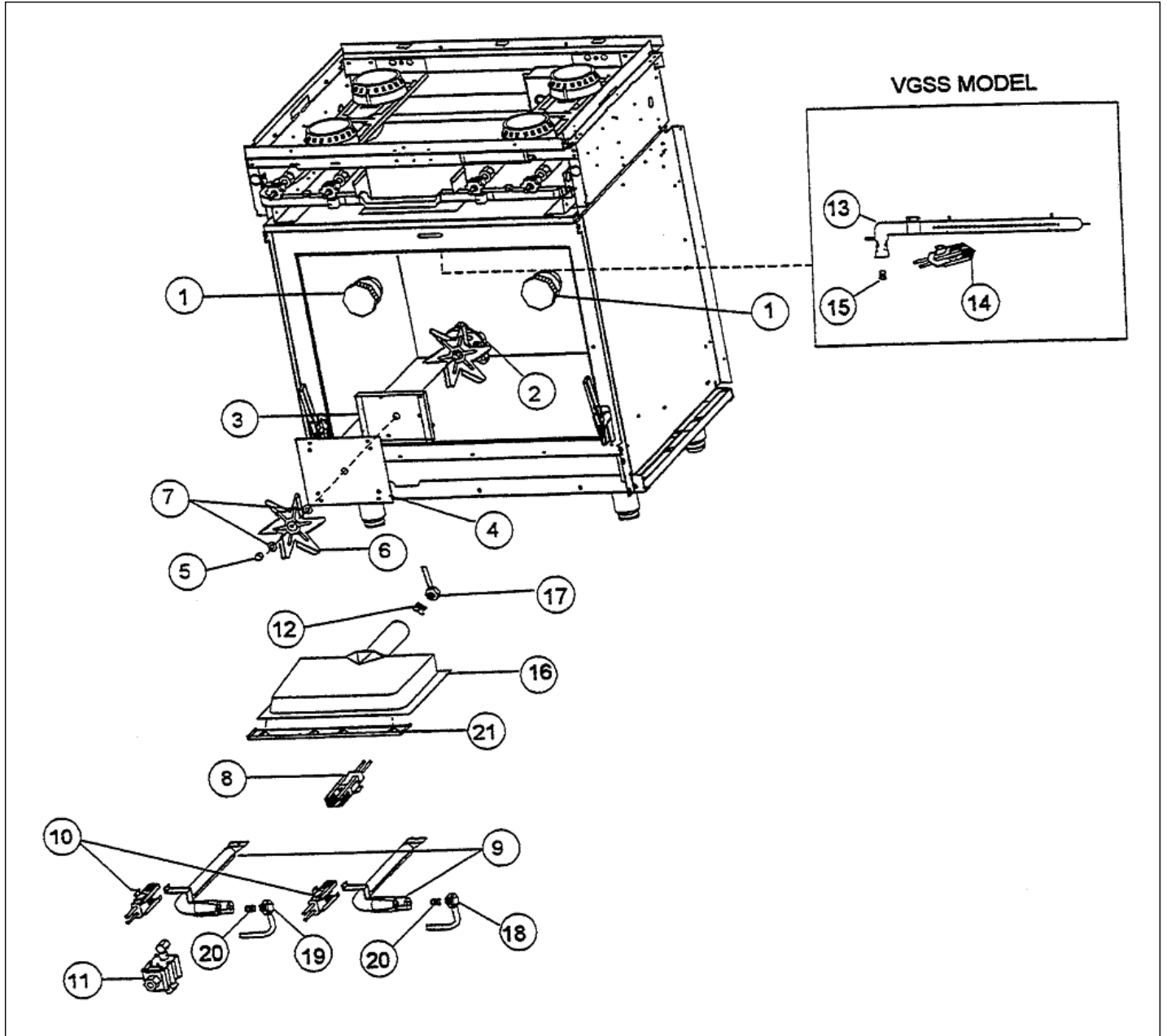




| Item | Part No.   | Name                               | Qty | Uom | NOTES   |
|------|------------|------------------------------------|-----|-----|---|
| P    | G3201713FG | OVEN DR ASSY *FG*<br>(VGSC/SS) N/W | 1   | EA  | NO LONGER AVAILABLE, Not available online / Call for pricing and availability |
| P    | G3201713PL | OVEN DR ASSY *PL*<br>(VGSC/SS) N/W | 1   | EA  | NO LONGER AVAILABLE, Not available online / Call for pricing and availability |
| P    | G3201713SS | DOOR ASSEMBLY W/O WINDOW - SS      | 1   | EA  | Not available online / Call for pricing and availability                      |
| P    | G3201713VB | OVEN DR ASSY *VB*<br>(VGSC/SS) N/W | 1   | EA  | NO LONGER AVAILABLE, Not available online / Call for pricing and availability |
| P    | G3201713WH | OVEN DR ASSY *WH*<br>(VGSC/SS) N/W | 1   | EA  | NO LONGER AVAILABLE, Not available online / Call for pricing and availability |



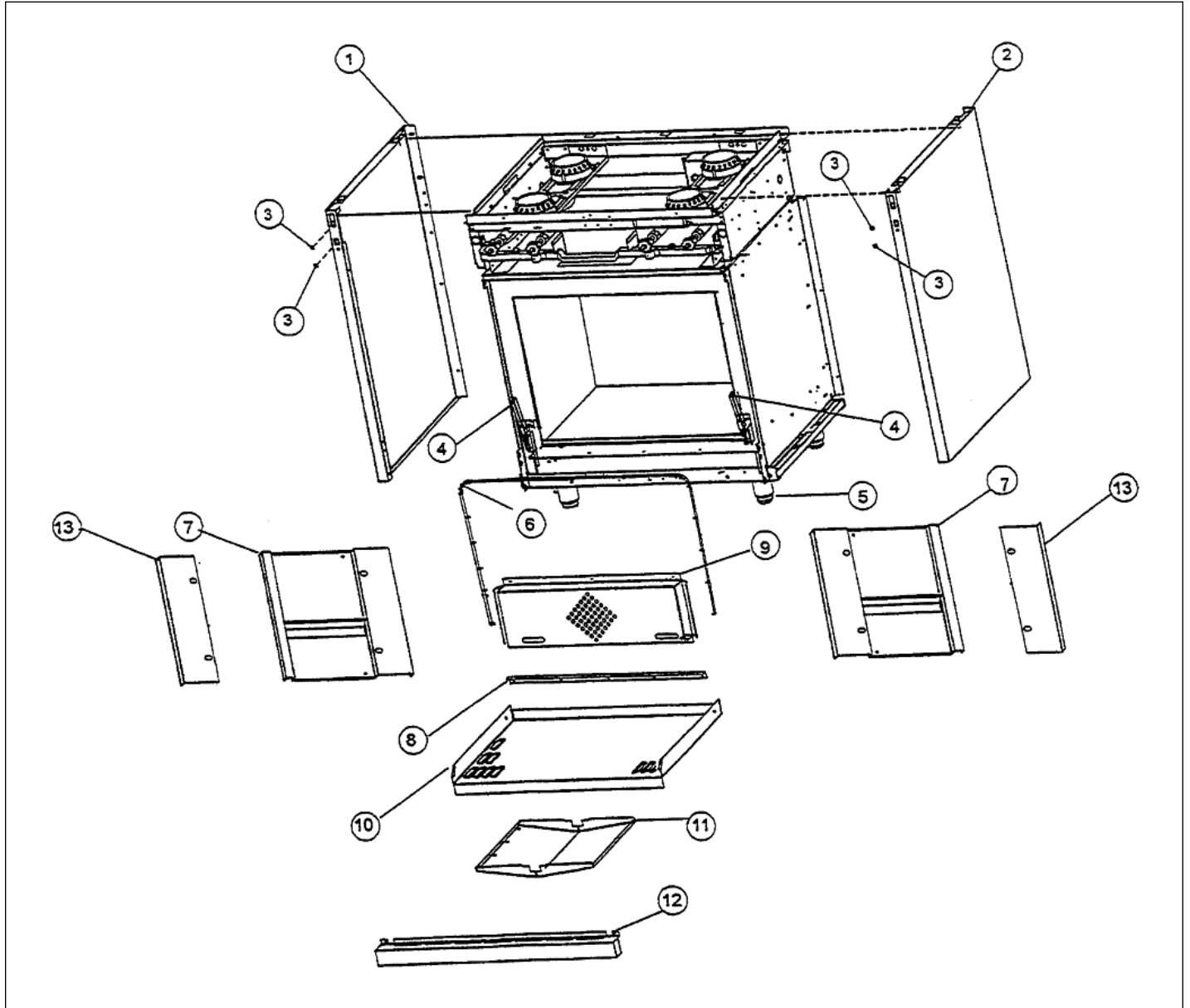
| Item      | Part No.   | Name                                      | Qty | Uom | NOTES   |
|-----------|------------|---|-----|-----|---|
| 1         | 031449-000 | LAMP, ASM                                 |     | EA  |   |
| 2         | PE050005   | CONVECTION FAN ASSY                       |     | EA  |   |
| 3         | A2002595   | CONVECTION FAN BOX (VDSC)                 |     | EA  |   |
| 4         | A2002596   | CONVECTION FAN BOX COVER                  |     | EA  | Not available online / Call for pricing and availability                      |
| 5         | PD030035   | CONVECTION FAN NUT                        |     | EA  |   |
| 6         | PE050035   | CONVECTION FAN BLADE                      |     | EA  |   |
| Not Shown | NOTE       | (MUST ORDER ITEM 2)                       |     | EA  |   |
| 7         | PD040030   | CONVECTION FAN WASHER                     |     | EA  |   |
| 8         | PB040001   | Igniter                                   |     | EA  |   |
| 9         | PB050012   | OVEN BURNER REPL<br>PB050009              |     | EA  |   |
| Not Shown | NOTE       | (After 04/01/94)                          |     | EA  |   |
| 9         | G50013898  | RH OVEN BAKE BURNER SERVICE KIT           |     | EA  |   |
| Not Shown | NOTE       | (Before 04/01/94)                         |     | EA  |   |
| 10        | PB040001   | Igniter                                   |     | EA  |   |
| 11        | PB010084   | DUAL THERMAL BI-MTL GAS CTRL VALVE        |     | EA  |   |
| 12        | PB040040   | ORIFICE-IR BURNER (VGSC)                  |     | EA  |   |
| NI        | PB040027   | IR BUR.SPUD ORF. - #56 LP                 |     | EA  |   |
| 13        | PB050011   | BROIL BURNER (VGSS)                       |     | EA  | NO LONGER AVAILABLE   |
| 14        | PB040001   | Igniter                                   |     | EA  |   |
| 15        | PB040034   | ORIFICE HOOD-#50 (NAT)                    |     | EA  |   |
| 15        | PB040036   | ORIFICE HOOD-#57 (LP)                     |     | EA  |   |
| 16        | G3001876   | IR BURNER ASSY (VGSC/RC)<br>N/S           |     | EA  |   |
| 17        | PB020034   | SUB TO PB020061 - TUBING-IR BURNER (VGSC) |     | EA  | NO LONGER AVAILABLE, Not available online / Call for pricing and availability |
| NI        | PD030018   | PALNUT - 3/4-16                           |     | EA  |   |
| 18        | PB020023   | BAKE BURNER TUBE RH OVEN                  |     | EA  |   |



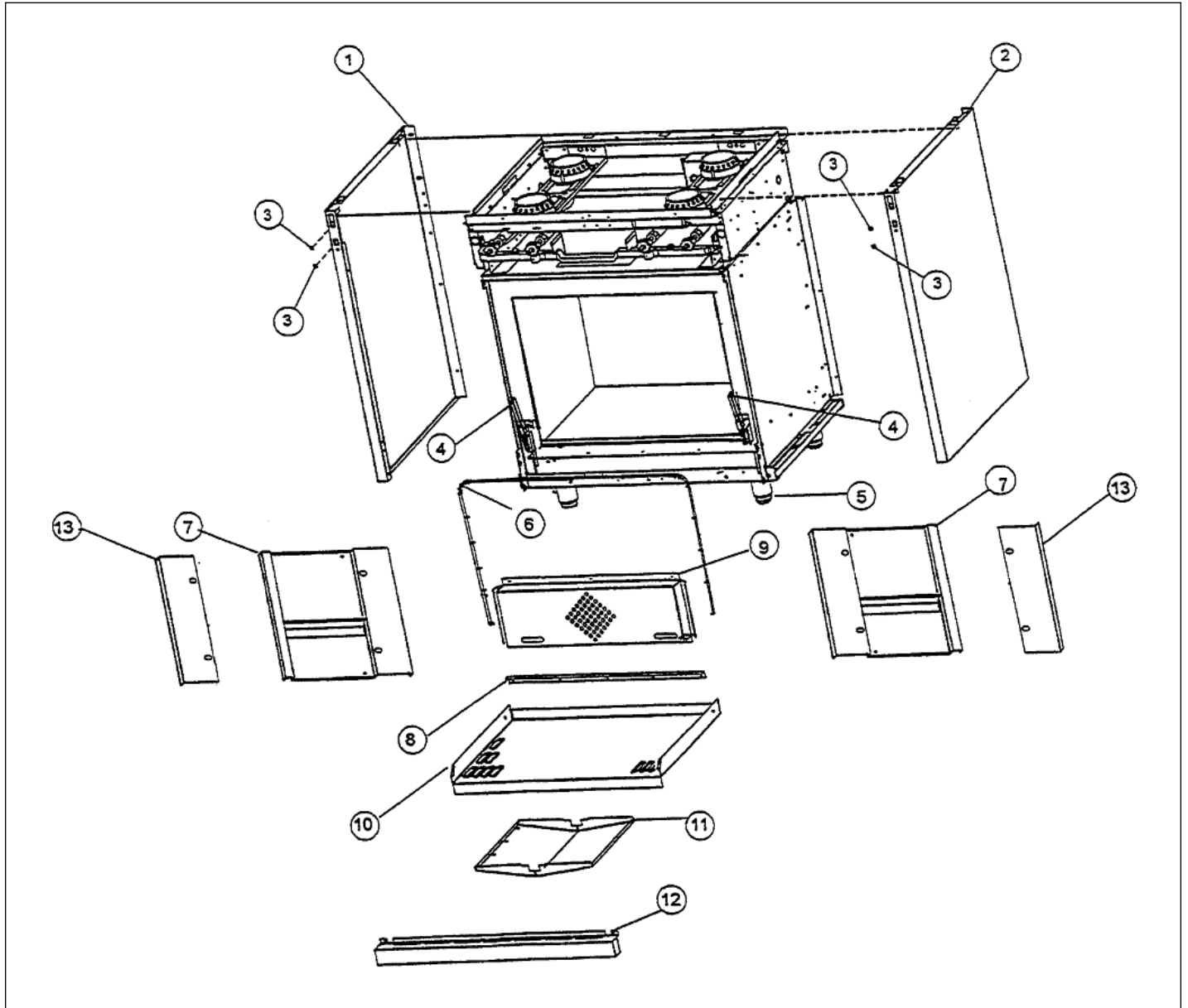


| Item         | Part No.   | Name                           | Qty | Uom | NOTES                 |
|--------------|------------|--------------------------------|-----|-----|-----------------------|
| 19           | PB020022   | BAKE BURNER TUBE LH OVEN       |     | EA  |                       |
| 20           | PB040052   | PIPE NIPPLE - 22" (VGBQ)       |     | EA  |                       |
| Not Shown    | PB040057   | ORIFICE HOOD-#46               |     | EA  |                       |
| Not Shown    | PB040059   | ORIFICE HOOD-#54 9701B1654     |     | EA  |                       |
| 21           | B2001448   | IR BROIL SUPT (FRONT)          |     | EA  |                       |
| NI           | E9101452   | FLAME SPREADER 30" (VGSS)      |     | EA  | NOT FIELD REPLACEABLE |
| Not Shown    | PB020216   | 3/8 S.S. FLEX TUBING 41"       |     | EA  |                       |
| 21           | B2001448   | IR BROIL SUPT (FRONT)          |     | EA  |                       |
| B200226<br>1 | 020409-000 | BRACKET, SPRT, FR, I/R BROILER |     | EA  |                       |
| NI           | E9101452   | FLAME SPREADER 30" (VGSS)      |     | EA  | NOT FIELD REPLACEABLE |
| NI           | PB020216   | 3/8 S.S. FLEX TUBING 41"       |     | EA  |                       |
| NI           | A2008467   | INSULATION SHIELD              |     | EA  |                       |

PANEL - OVEN ASSY



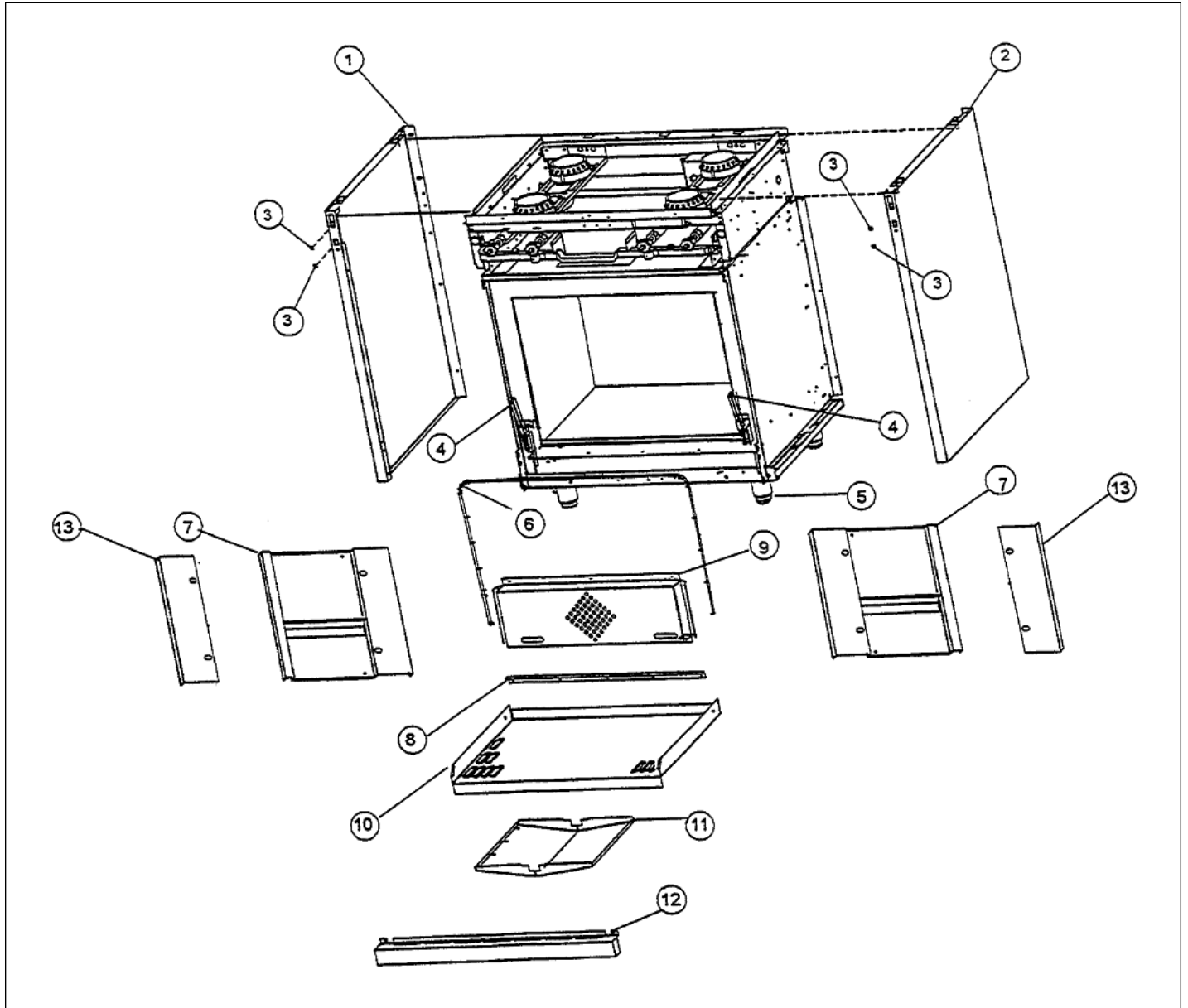
| Item | Part No.   | Name                              | Qty | Uom | NOTES   |
|------|------------|-----------------------------------|-----|-----|---|
| 1    | B2001922   | SIDE PANEL - SS (LH)              | 1   | EA  | Not available online / Call for pricing and availability                      |
| 1    | C9002598AL | BODY PNL LH 30'REPL<br>C9001922AL | 1   | EA  | NO LONGER AVAILABLE, Not available online / Call for pricing and availability |
| 1    | C9002598BK | BODY PNL LH 30'REPL<br>C9001922BK | 1   | EA  |   |
| 1    | C9002598BU | BODY PNL LH 30'REPL<br>C9001922BU | 1   | EA  |   |
| 1    | C9002598FG | BODY PNL LH 30'REPL<br>C9001922FG | 1   | EA  | NO LONGER AVAILABLE, Not available online / Call for pricing and availability |
| 1    | C9002598PL | BODY PNL LH 30'REPL<br>C9001922PL | 1   | EA  | NO LONGER AVAILABLE, Not available online / Call for pricing and availability |
| 1    | C9002598VB | BODY PNL LH 30'REPL<br>C9001922VB | 1   | EA  | NO LONGER AVAILABLE, Not available online / Call for pricing and availability |
| 1    | C9002598WH | BODY PNL LH 30'REPL<br>C9001922WH | 1   | EA  |   |
| 2    | B2001921   | SUB TO B2002597 - RH SIDE PANEL   | 1   | EA  | NO LONGER AVAILABLE, Not available online / Call for pricing and availability |
| 2    | C9002597AL | O/S BODY PANEL-RH *AL*<br>(VDSC)  | 1   | EA  | NO LONGER AVAILABLE, Not available online / Call for pricing and availability |
| 2    | C9002597BK | BODY PNL RH BK REPL<br>C9001921BK | 1   | EA  |   |
| 2    | C9002597BU | BODY PNL RH BU REPL<br>C9001921BU | 1   | EA  | Not available online / Call for pricing and availability                      |
| 2    | C9002597FG | BODY PNL RH FG REPL<br>C9001921FG | 1   | EA  | NO LONGER AVAILABLE, Not available online / Call for pricing and availability |







| Item  | Part No.   | Name                               | Qty | Uom | NOTES   |
|---|------------|------------------------------------|-----|-----|---|
| 2   | C9002597PL | BODY PNL RH PL REPL<br>C9001921PL  | 1   | EA  | NO LONGER AVAILABLE, Not available online / Call for pricing and availability |
| 2   | C9002597VB | BODY PNL RH VB REPL<br>C9001921VB  | 1   | EA  |   |
| 2   | C9002597WH | BODY PNL RH WH REPL<br>C9001921WH  | 1   | EA  |   |
| 3   | PD030005   | SELF RETAINING NUT                 | 1   | EA  |   |
| 4   | PC020007   | HINGE ASSY (NO COLOR)              | 1   | EA  |   |
| 5   | PC030017   | 4" LEG ASSY                        | 1   | EA  |   |
| 6   | PB070030   | OVEN DR GASKET-30" & 36"           | 1   | EA  |   |
| 7   | E9101374   | I/S OVEN LINER (VGSC/VGSS)         | 1   | EA  |   |
| 8   | A2000606   | OVEN BTM PAN SUPT                  | 1   | EA  | NO LONGER AVAILABLE   |
| 9   | G9101371   | CONVECTION FAN COVER ASSY(VGSC305) | 1   | EA  |   |
| 10  | G3204251   | OVEN BOTTOM ASSY - RH OVEN, 48"    | 1   | EA  |   |
| 11  | A2002269   | OVEN BTM HEAT SHIELD               | 1   | EA  |   |
| <p>Comments for Part Num. A2002269</p> <p>gboltz@VikingRange.com on Aug 9, 2016</p> <p>DO NOT ORDER JUST HEAT SHIELD ORDER BTM OVEN PANEL ASSY ONLY</p> |            |                                    |     |     |   |
| 12  | B2001815   | LOWER ACC PAN - (VGRC605)          | 1   | EA  |   |
| 12  | C9001815AL | LOWER ACC PAN - *AL* (VGRC605)     | 1   | EA  | Not available online / Call for pricing and availability                      |
| 12  | C9001815BK | LOWER ACC PAN - *BK* (VGRC605)     | 1   | EA  |   |
| 12  | C9001815BU | LOWER ACC PAN - *BU* (VGRC605)     | 1   | EA  | Not available online / Call for pricing and availability                      |
| 12  | C9001815FG | LOWER ACC PAN - *FG* (VGRC605)     | 1   | EA  | NO LONGER AVAILABLE, Not available online / Call for pricing and availability |
| 12  | C9001815PL | LOWER ACC PAN - *PL* (VGRC605)     | 1   | EA  | NO LONGER AVAILABLE   |





| Item | Part No.   | Name                                  | Qty | Uom | NOTES   |
|------|------------|---------------------------------------|-----|-----|---|
| 12   | C9001815VB | LOWER ACC PAN - *VB*<br>(VGRC605)     | 1   | EA  | NO LONGER<br>AVAILABLE  |
| 12   | C9001815WH | LOWER ACC PAN - *WH*<br>(VGRC605)     | 1   | EA  |   |
| 13   | E9101355   | OVEN LINER HINGE COVER<br>(VGSC/VGSS) | 1   | EA  | NO LONGER<br>AVAILABLE, Not<br>available online /<br>Call for pricing<br>and availability |
| NI   | G3202341   | BACKGUARD FRONT ASSY<br>(VGSC/SS)     | 1   | EA  | NO LONGER<br>AVAILABLE  |



Appendix A:Pages Index

BURNER BOX EXTERIOR ..... 1  
BURNER BOX SUBASSEMBLY ..... 2  
CONTROL - RACK ASSY ..... 3  
DOOR - AFTER 2-94 ..... 4  
DOOR - BEFORE 2-94 ..... 5  
GAS - ELECTRICAL ..... 6  
PANEL - OVEN ASSY ..... 7



Appendix B:Parts Index

|            |      |             |      |
|------------|------|-------------|------|
| 000268-000 | 4, 5 | C9002597BK  | 7    |
| 003862-000 | 2    | C9002597BU  | 7    |
| 020409-000 | 6    | C9002597FG  | 7    |
| 031449-000 | 6    | C9002597PL  | 7    |
| 050172-000 | 3    | C9002597VB  | 7    |
| A1001138   | 2    | C9002597WH  | 7    |
| A1001381   | 4, 5 | C9002598AL  | 7    |
| A2000606   | 7    | C9002598BK  | 7    |
| A2001112   | 2    | C9002598BU  | 7    |
| A2001147   | 2    | C9002598FG  | 7    |
| A2001259   | 3    | C9002598PL  | 7    |
| A2001404   | 2    | C9002598VB  | 7    |
| A2001432   | 2    | C9002598WH  | 7    |
| A2001447   | 4, 5 | C9301840PVD | 1    |
| A2001456   | 2    | C9302345BR  | 1    |
| A2001480   | 4, 5 | C9302346BR  | 1    |
| A2001718   | 4, 5 | E9101115AL  | 1    |
| A2001719   | 4, 5 | E9101115BK  | 1    |
| A2002269   | 7    | E9101115BU  | 1    |
| A2002364   | 2    | E9101115FG  | 1    |
| A2002595   | 6    | E9101115PL  | 1    |
| A2002596   | 6    | E9101115VB  | 1    |
| A2008467   | 6    | E9101115WH  | 1    |
| B2001448   | 6, 6 | E9101355    | 7    |
| B2001722   | 4, 5 | E9101374    | 7    |
| B2001815   | 7    | E9101408    | 1    |
| B2001840   | 1    | E9101452    | 6, 6 |
| B2001921   | 7    | E9107933    | 3    |
| B2001922   | 7    | E9107934    | 3    |
| B2002345   | 1    | G3001406    | 3    |
| B2002346   | 1    | G3001876    | 6    |
| B9201791   | 3    | G3101427    | 1    |
| C9001815AL | 7    | G3201711AL  | 5    |
| C9001815BK | 7    | G3201711BK  | 5    |
| C9001815BU | 7    | G3201711BU  | 5    |
| C9001815FG | 7    | G3201711FG  | 5    |
| C9001815PL | 7    | G3201711PL  | 5    |
| C9001815VB | 7    | G3201711SS  | 5    |
| C9001815WH | 7    | G3201711VB  | 5    |
| C9002597AL | 7    | G3201711WH  | 5    |
|            |      | G3201713AL  | 5    |



|              |   |            |      |
|--------------|---|------------|------|
| G3201713BK   | 5 | G50012678  | 2    |
| G3201713BU   | 5 | G50012681  | 3    |
| G3201713FG   | 5 | G50013898  | 6    |
| G3201713PL   | 5 | G9101371   | 7    |
| G3201713SS   | 5 | H3001720   | 4, 5 |
| G3201713VB   | 5 | H9001721AL | 4, 5 |
| G3201713WH   | 5 | H9001721BK | 4, 5 |
| G3201925AL   | 4 | H9001721BU | 4, 5 |
| G3201925ALBR | 4 | H9001721FG | 4, 5 |
| G3201925BK   | 4 | H9001721PL | 4, 5 |
| G3201925BKBR | 4 | H9001721VB | 4, 5 |
| G3201925BU   | 4 | H9001721WH | 4, 5 |
| G3201925BUBR | 4 | H9001723AL | 4, 5 |
| G3201925FG   | 4 | H9001723BK | 4, 5 |
| G3201925FGBR | 4 | H9001723BU | 4, 5 |
| G3201925PL   | 4 | H9001723FG | 4, 5 |
| G3201925PLBR | 4 | H9001723PL | 4, 5 |
| G3201925SS   | 4 | H9001723VB | 4, 5 |
| G3201925SSBR | 4 | H9001723WH | 4, 5 |
| G3201925VB   | 4 | H9101714   | 5    |
| G3201925VBBR | 4 | H9101715   | 5    |
| G3201925WH   | 4 | H9101928   | 4    |
| G3201925WHBR | 4 | H9101929   | 4    |
| G3201927AL   | 4 | PA020015   | 2    |
| G3201927ALBR | 4 | PA020028   | 2    |
| G3201927BK   | 4 | PA020029   | 2    |
| G3201927BKBR | 4 | PA020041   | 2    |
| G3201927BU   | 4 | PA020045   | 2    |
| G3201927BUBR | 4 | PA030002AL | 1    |
| G3201927FG   | 4 | PA030002BK | 1    |
| G3201927FGBR | 4 | PA030002BU | 1    |
| G3201927PL   | 4 | PA030002FG | 1    |
| G3201927PLBR | 4 | PA030002PL | 1    |
| G3201927SS   | 4 | PA030002VB | 1    |
| G3201927SSBR | 4 | PA030002WH | 1    |
| G3201927VB   | 4 | PA050095   | 2    |
| G3201927VBBR | 4 | PA060037   | 1    |
| G3201927WH   | 4 | PA060038   | 1    |
| G3201927WHBR | 4 | PA070003   | 2    |
| G3202341     | 7 | PA080015   | 1    |
| G3204251     | 7 | PA080016   | 1    |



|          |         |             |      |
|----------|---------|-------------|------|
| PA080036 | 2       | PD030035    | 6    |
| PA080037 | 2       | PD030050    | 3    |
| PB010034 | 2       | PD040004    | 1    |
| PB010036 | 3       | PD040005    | 2    |
| PB010083 | 2       | PD040030    | 6    |
| PB010084 | 6       | PE010016    | 4, 5 |
| PB010091 | 3       | PE010017    | 4, 5 |
| PB010092 | 3       | PE010079    | 4    |
| PB010099 | 3       | PE010080    | 4    |
| PB010100 | 3       | PE010081    | 3    |
| PB010206 | 3       | PE010082    | 3    |
| PB010209 | 3       | PE030001PVD | 4    |
| PB020022 | 6       | PE030005    | 4, 5 |
| PB020023 | 6       | PE030012    | 4    |
| PB020034 | 6       | PE050001    | 2    |
| PB020038 | 2       | PE050005    | 6    |
| PB020216 | 6, 6    | PE050016    | 3    |
| PB040001 | 6, 6, 6 | PE050017    | 3    |
| PB040027 | 6       | PE050023    | 3    |
| PB040034 | 2, 6    | PE050024    | 3    |
| PB040036 | 2, 6    | PE050035    | 6    |
| PB040040 | 6       | PE060007    | 4, 5 |
| PB040052 | 6       | PE060008    | 4, 5 |
| PB040057 | 6       | PE060009    | 5    |
| PB040059 | 6       | PE060018    | 4    |
| PB050011 | 6       | PE060020    | 4    |
| PB050012 | 6       | PE070068    | 2    |
| PB060018 | 3       | PE070070    | 2    |
| PB060038 | 3       | PE070071    | 2    |
| PB070014 | 4, 5    | PE070128    | 2    |
| PB070030 | 7       | PE070719    | 2    |
| PB070034 | 4, 5    | PK000007    | 2    |
| PC020007 | 7       | PK000008    | 2    |
| PC030017 | 7       |             |      |
| PD010003 | 1       |             |      |
| PD010012 | 2       |             |      |
| PD010017 | 1       |             |      |
| PD030005 | 1, 7    |             |      |
| PD030010 | 1       |             |      |
| PD030012 | 1       |             |      |
| PD030018 | 6       |             |      |