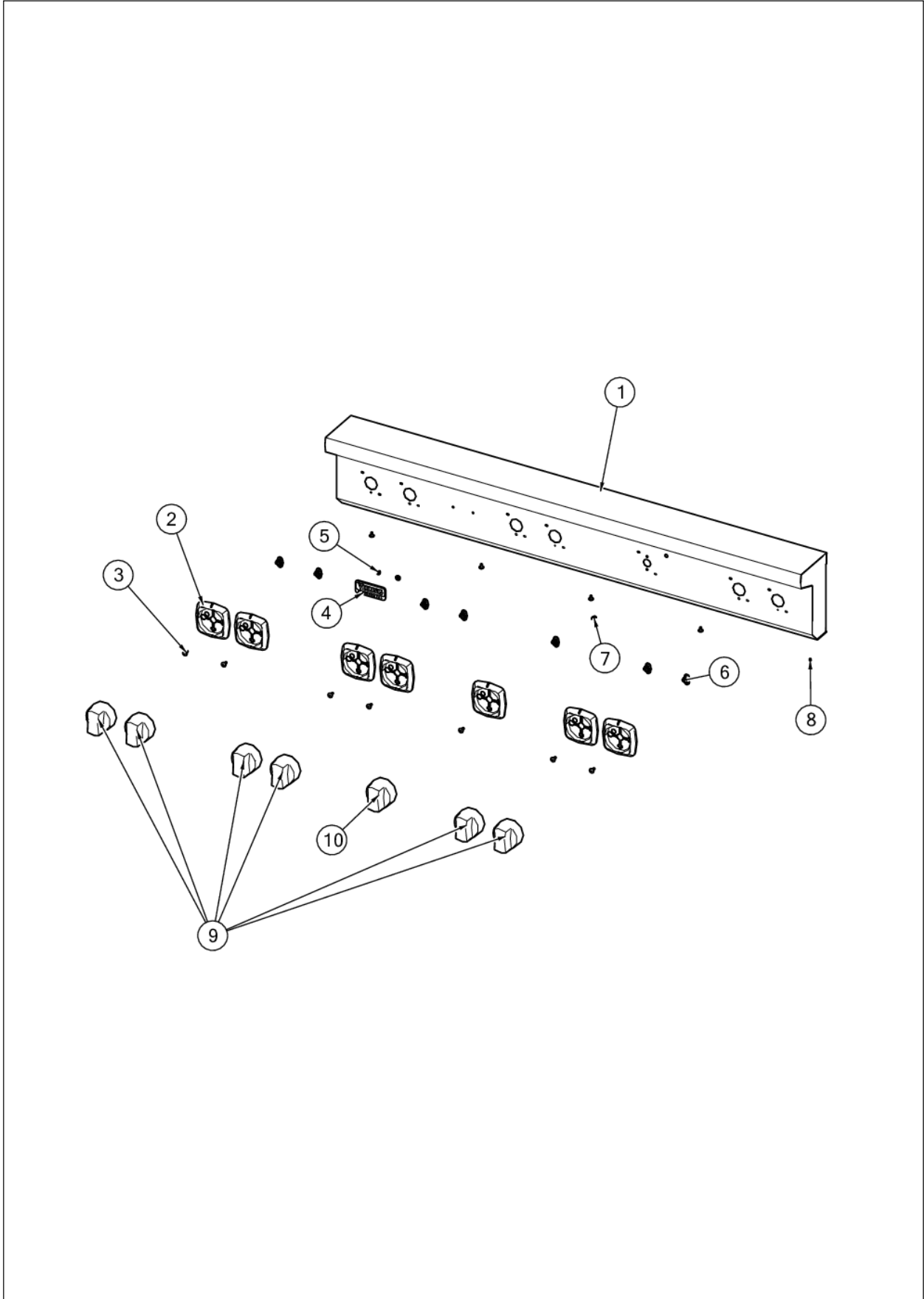


VGRT748-6G

CONTROL	1
DECOR	2
ELECTRICAL - 1	3
ELECTRICAL - 2	4
GAS	5
SURFACE	6
Appendix A:Pages Index	A
Appendix B:Parts Index	B

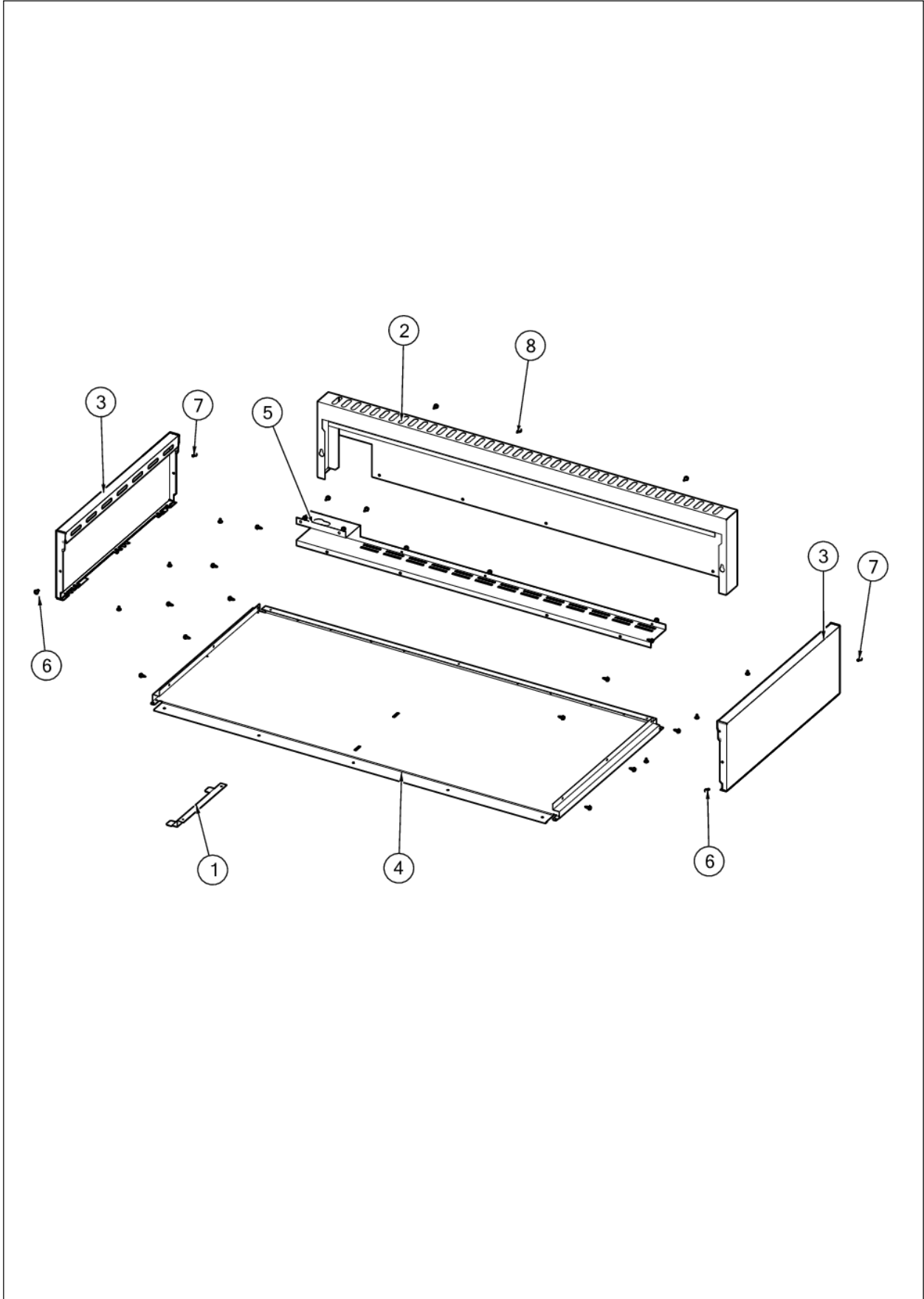
CONTROL





Item	Part No.	Name	Qty	Uom	NOTES
1	048860-2646	PANEL, CTROL, VGRT7486G W/GRAPHICS	1	EA	
2	048309-000	BZL, KNOB	7	EA	
3	PD020046	' #8 X 1/2 SCREWS	7	EA	
4	PE010142	3" VIKING LOGO BLACK/CHROME	1	EA	
5	PD030006	CAPPED WASHER PAL NUT	2	EA	
6	044512-000	BEARING, BEZEL, ASM	6	EA	
7	044937-000	LENS, COVER, LED, CLEAR	7	EA	
8	PD020032	SRW-8(A)X3/8"PH.WFR HD 7/16DIA*NICL	5	EA	
9	042558-000	KNOB, ASSY, BURNER (TRI- CHROME CR3)	6	EA	
10	045725-000	KNOB, THERMOSTAT, GRIDDLE ASSY (TRI-CHROME CR3)	1	EA	

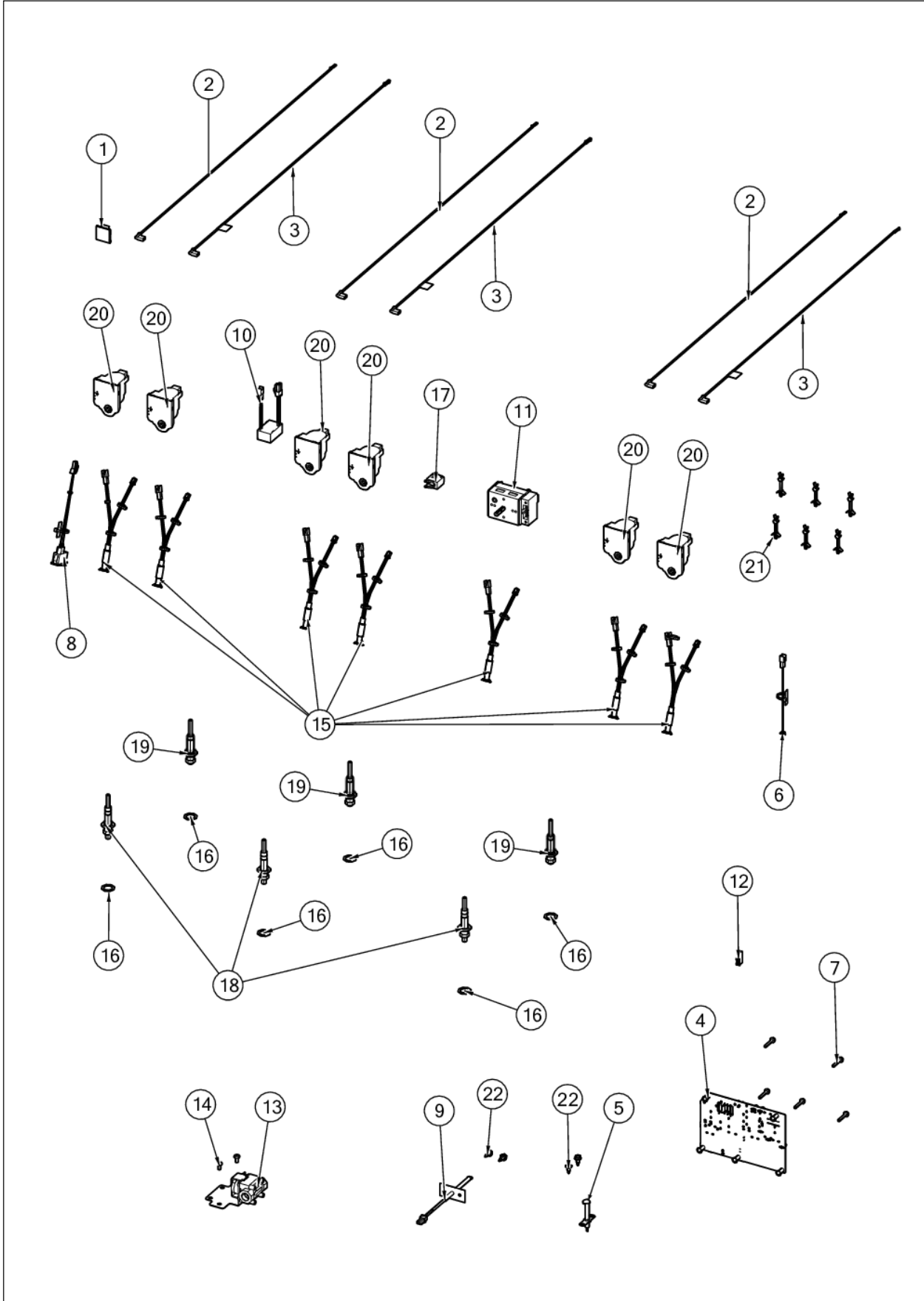
DECOR





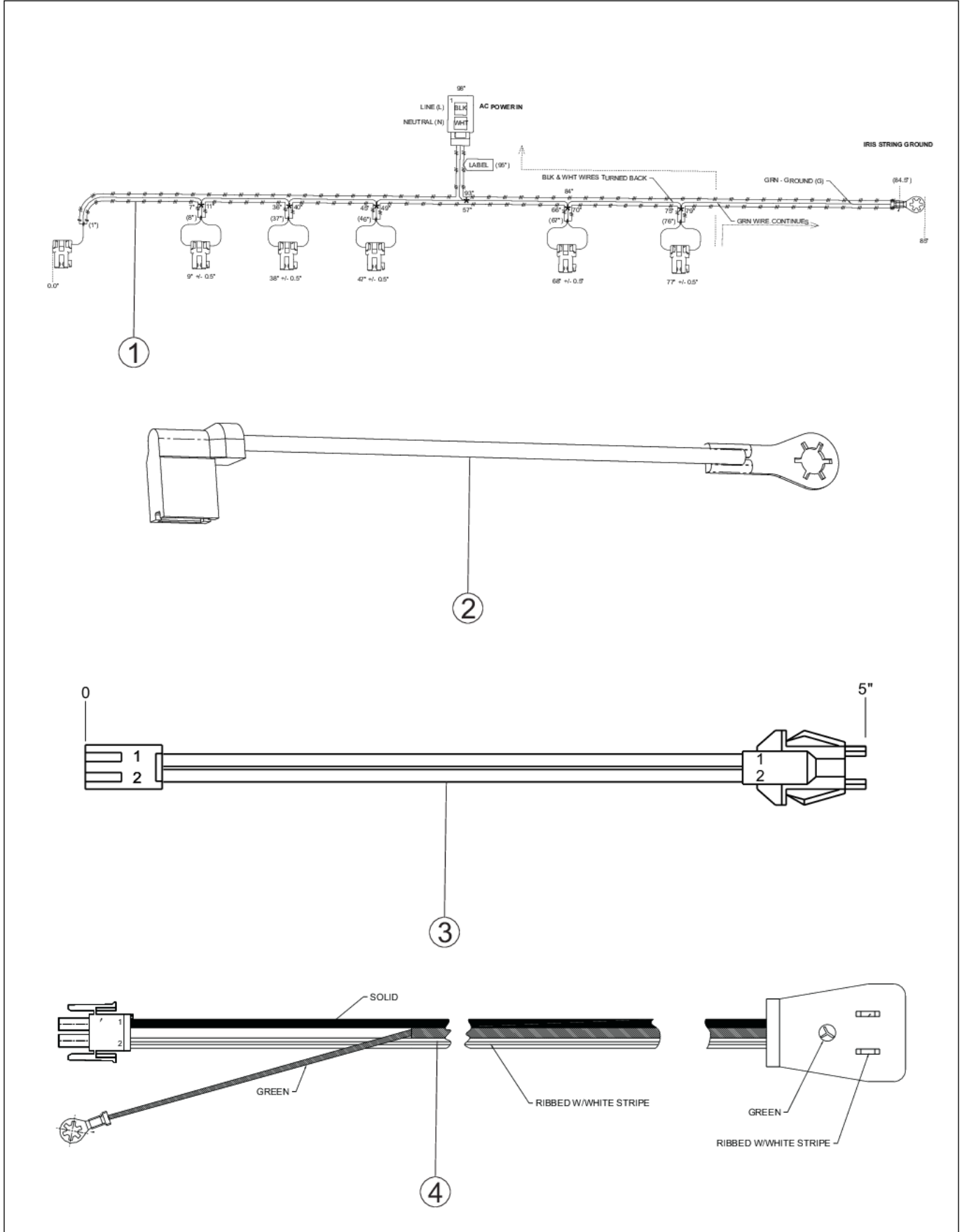
Item	Part No.	Name	Qty	Uom	NOTES
1	046508-000	BRACKET, SPRT, BOT	1	EA	Not available online / Call for pricing and availability
2	042797-000	TRIM, IS, VGR, 48"	1	EA	
3	052892-000	COVER, OS, RH/LH UPPER	2	EA	
4	046117-000	RANGETOP, PANEL, BOTTOM, VGRT748	1	EA	Not available online / Call for pricing and availability
5	046515-000	SHIELD, BRKT, RANGETOP	1	EA	Not available online / Call for pricing and availability
6	014143-000	SCR 10-12 A SHLD TRP 1/2 S ZN BLUE	2	EA	
7	003801-000	SHOULDER SCREW, #10	2	EA	
8	003860-000	10-18 x .500 FASTNR,SCR,HXWH,STL,ZPLT	1	EA	

ELECTRICAL - 1



Item	Part No.	Name	Qty	Uom	NOTES
1	049878-000	CORD, CLIP, ADHESIVE	1	EA	
2	028312-000	WIRE, ELECTRODE,IRIS,REAR	3	EA	
3	028324-000	WIRE, ELECTRODE,IRIS,FRONT	3	EA	
4	043453-000	MODULE, DSI	1	EA	
5	PA020028	SPARK IGNITER	1	EA	
6	048482-000	HARNESS, LED, JUMPER (HPN-0923-1)	1	EA	
7	M0211021	SCREW-SM	5	EA	
8	046283-000	SWITCH, LIGHTS, ACCENT W/CONN	1	EA	
9	007008-000	RTD PROBE	1	EA	
10	069995-000	12 Volt Power Supply Kit	1	EA	
Not Shown	NOTE	See TC-0118-SP Service Bulletin		EA	
11	038413-000	TSTAT,SMPS, ELEC, 2-POS, .91 SHAFT, CB	1	EA	
12	038655-000	GRIDDLE,JUMPER,BRIGADE	1	EA	
13	009111-000	VALVE, SOL, SINGLE	1	EA	
14	PD020004	10X3/8PH.HD.TYPE 25 REPL PD040125	1	EA	
15	048809-000	LAMP, LED, 12VDC, 2.84K, WHT HS, ASM & FAMILY	7	EA	
16	045932-000	WASHER, ELECTRODE	6	EA	
17	043135-000	HOUSING, LIGHT, LED, BLUE, 3.3V	1	EA	
18	043065-000	ELECTRODE, ASM E	3	EA	
19	043067-000	ELECTRODE , ASM, D	3	EA	
20	PA020058	IRIS SINGLE SPARK MODULE	6	EA	
21	045528-000	STANDOFF, LOCKING CLIP	7	EA	
22	003860-000	10-18 x .500 FASTNR,SCR,HXWH,STL,ZPLT	4	EA	
NI	049435-000	HARNESS, 7 SERIES RANGETOP, GRIDDLE, ELECTRIC	1	EA	Not available online / Call for pricing and availability
NI	068288-000	Power Supply Jumper	1	EA	

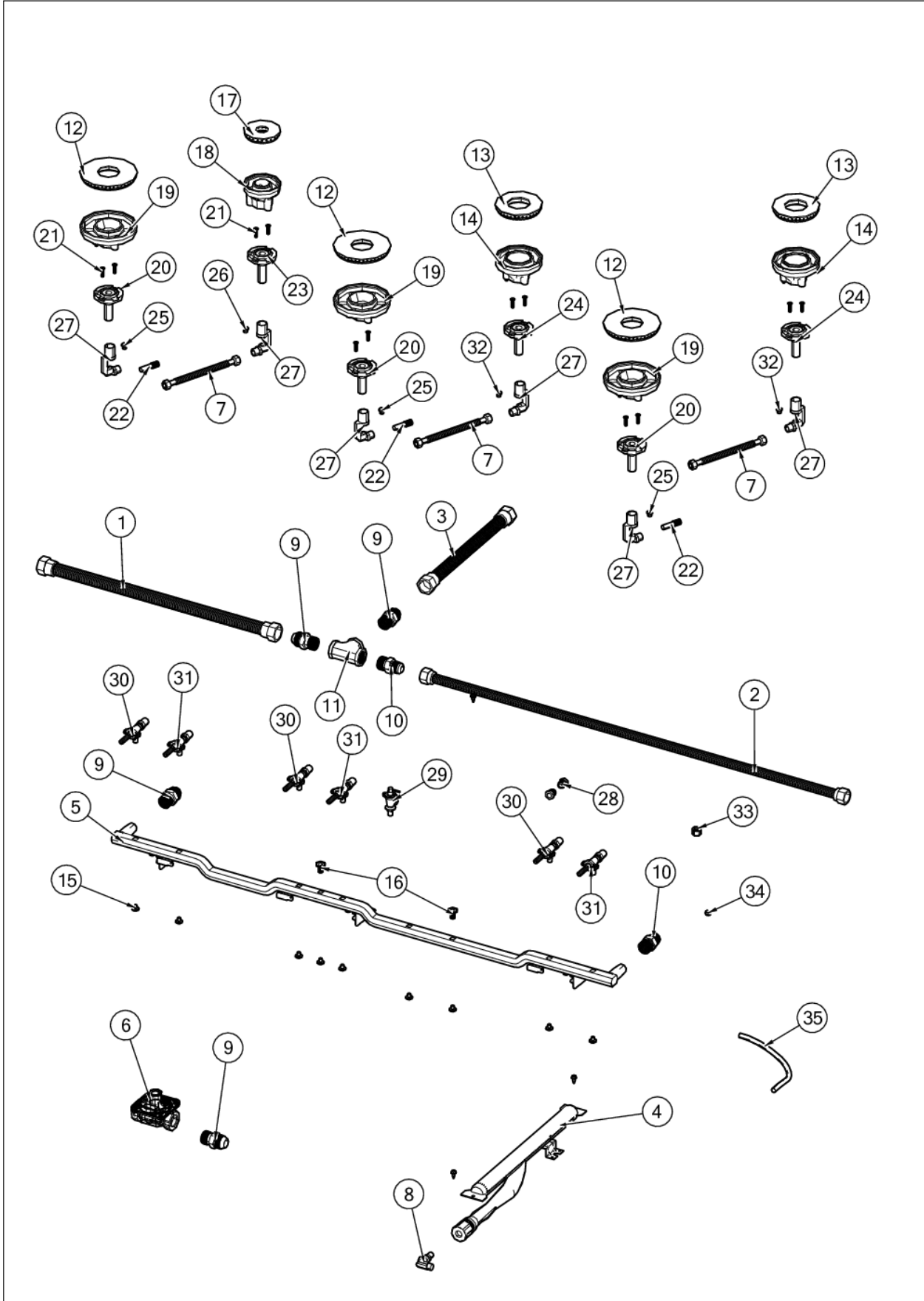
ELECTRICAL - 2



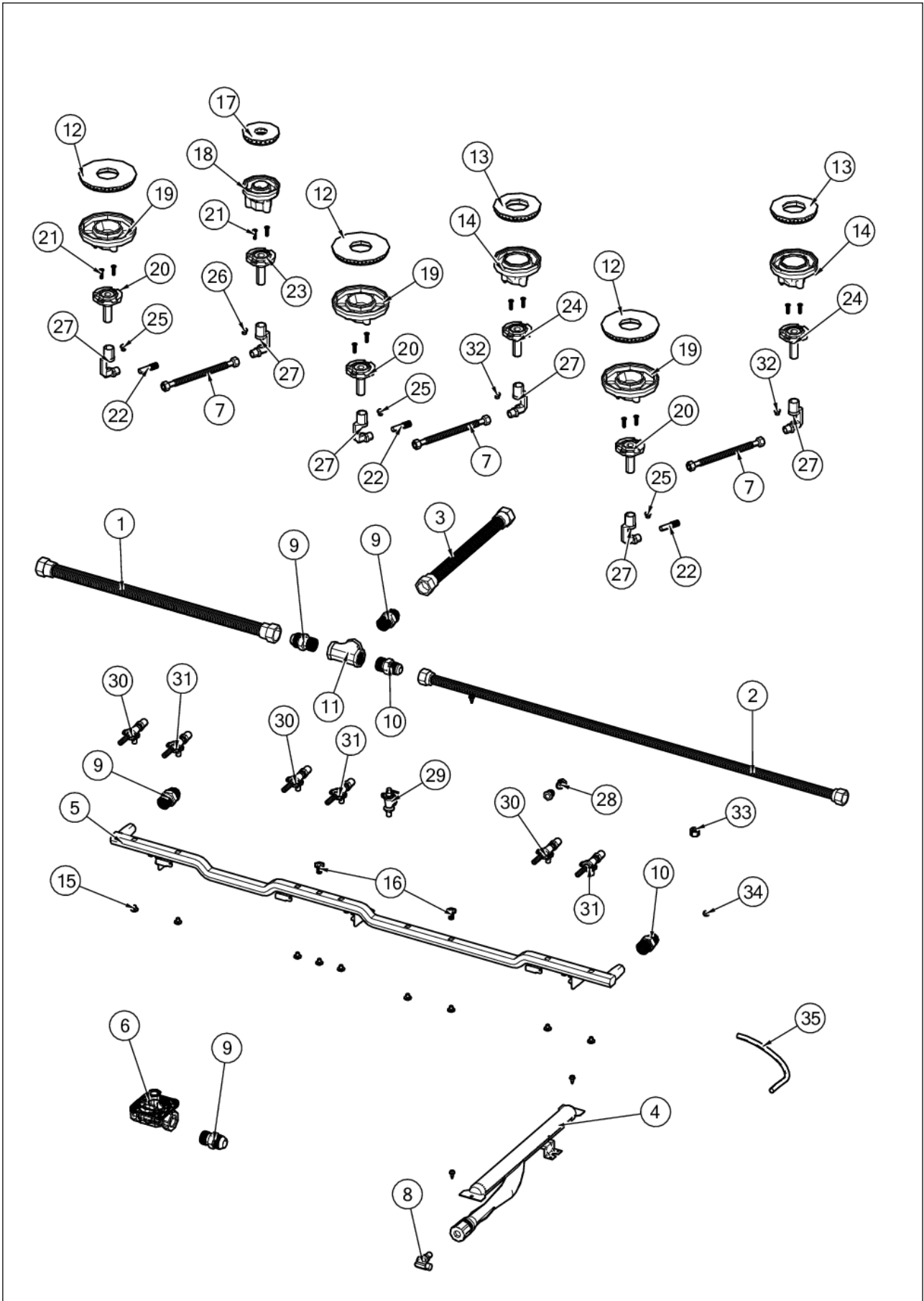


Item	Part No.	Name	Qty	Uom	NOTES
1	049047-000	HARN, IRIS, 48, 6G, W/CONN	1	EA	
2	043994-000	WIRE, GROUND, 5"	1	EA	
3	030292-000	RTD JUMPER	1	EA	
4	044747-000	CORD, SUPPLY, CORD	1	EA	

GAS



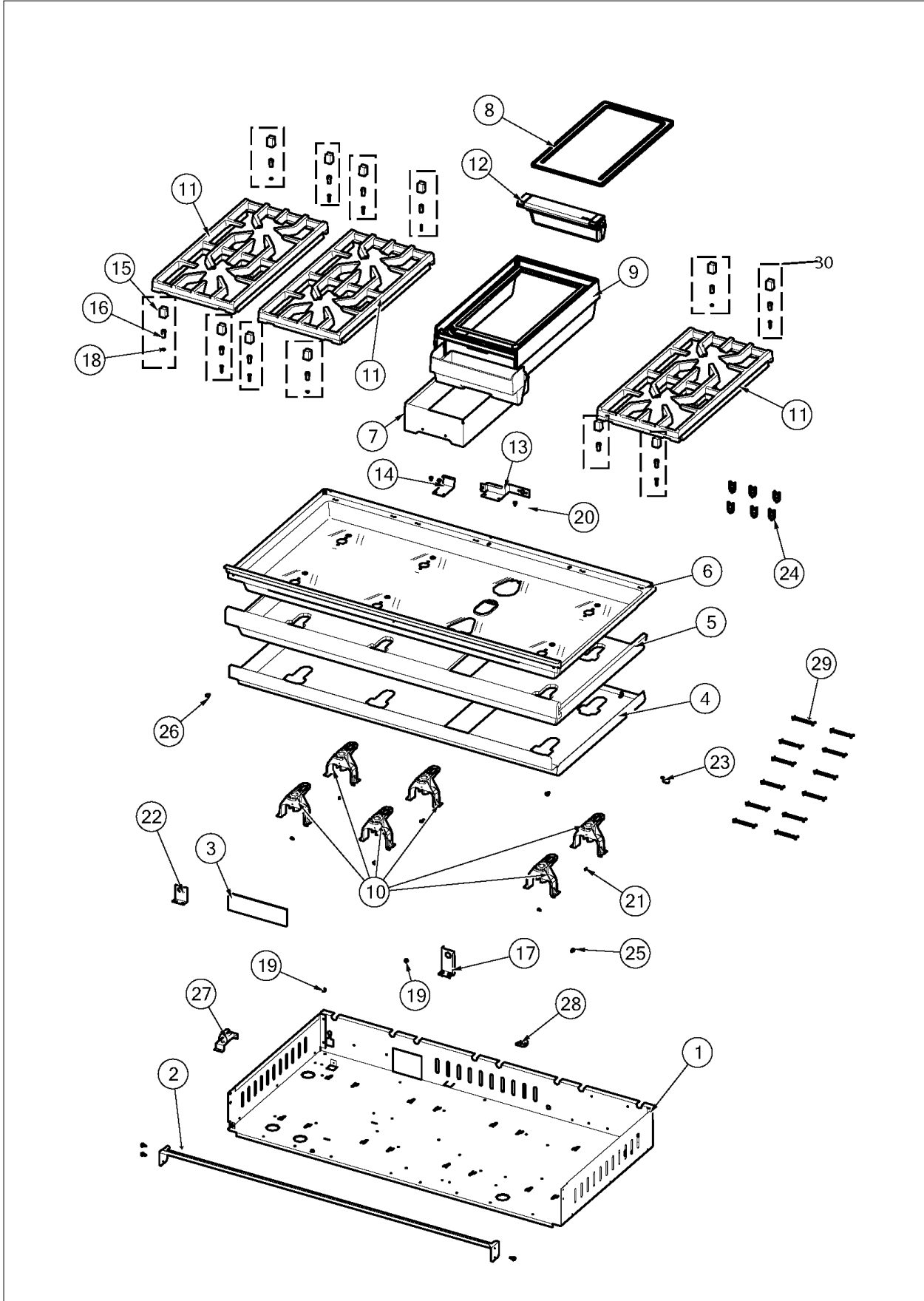
Item	Part No.	Name	Qty	Uom	NOTES
1	046399-000	TUBING, 3/4" FLEX, SST, 20"	1	EA	
2	044832-000	TUBING, 1/2" FLEX, SST, 38"	1	EA	
3	044310-000	TUBING, 3/4" FLEX, SST, 13"	1	EA	
4	046133-000	BURNER, GRIDDLE, 700-SERIES	1	EA	
5	046908-000	MANIFOLD, GRIDDLE, GAS, 48" ASM	1	EA	
6	046119-000	PRESSURE REGULATOR (NATURAL GAS)	1	EA	
6	046120-000	REGULATOR, PRSS, 3/4" INLET, 3/4" OUTLET (LP GAS)	1	EA	
7	PB020198	20" FLEX TUBING	3	EA	
8	PB040190	90 DEGREE ORIFICE FITTING #50 NAT	1	EA	
8	002513-000	90 DEGREE ORIFICE FITTING #57 LP	1	EA	
9	044321-000	FITTING, ADAPTOR, 3/4" FLEX TUBING	4	EA	
10	044824-000	FITTING, ADAPTOR, 1/2" FLEX TUBING	2	EA	
11	044323-000	TEE, PIPE, 3/4"	1	EA	
12	053356-000	BURNER, HEAD, E	3	EA	
13	043251-000	D-BURNER HEAD	2	EA	
14	043249-000	BASE, BNR, D	2	EA	
15	PD010012	1/4 x 3/8 VALVE BOLT	9	EA	
16	002884-000	MANIFOLD PLUG	2	EA	
17	043791-000	BURNER, HEAD, BRS, C-SIZE	1	EA	
18	043790-000	BURNER, BASE, C-SIZE	1	EA	
19	043158-000	E-BURNER BASE	3	EA	
Not Shown	NOTE	(BEFORE 11/18/15)		EA	
19	053357-000	BASE, BNR, E SIZE	3	EA	
Not Shown	NOTE	(ON OR AFTER 11/18/15)		EA	
20	044485-000	VENTURI, E NAT, FLANGE, BNR	3	EA	
21	046964-000	SCREW, 10-32 X 3/4", CTSK, BLACK		EA	
22	PB020191	15" FLEX TUBE	3	EA	



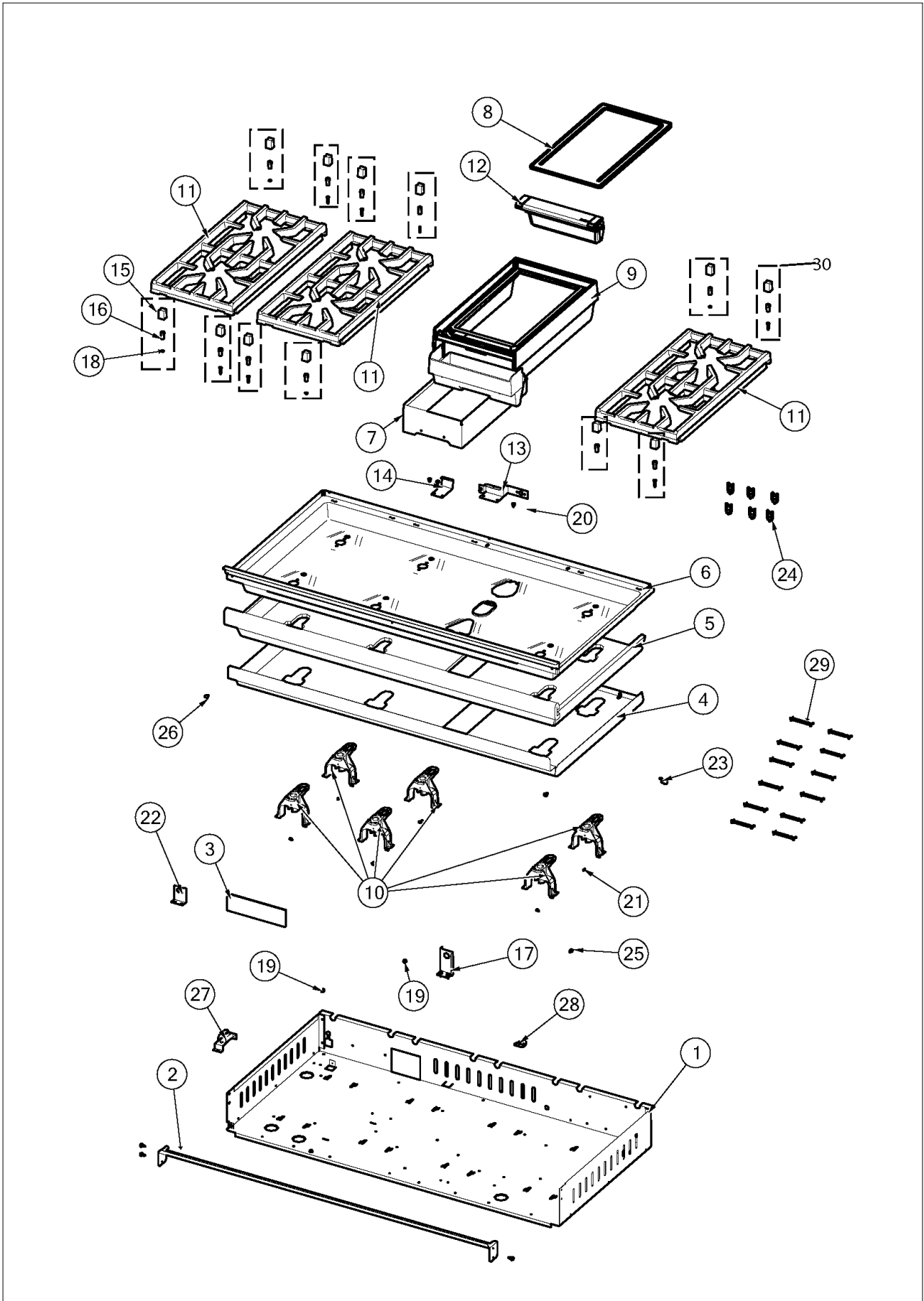


Item	Part No.	Name	Qty	Uom	NOTES
23	044686-000	VENTURI, C NAT, C LP, FLANGE, BNR	1	EA	
24	044487-000	VENTURI, D NAT, D LP, FLANGE, BNR	2	EA	
25	043675-000	ORIFICE, BNR, STD, 2.18MM Nat	3	EA	
25	043679-000	ORIFICE, BNR, STD, 1.32MM	3	EA	
26	044688-000	ORIFICE, BNR, STD, 1.22MM Nat	1	EA	
26	044820-000	ORIFICE, BNR, STD, .813MM	1	EA	
27	043208-000	HOLDER, JET, BURNER	6	EA	
28	PB040050	3/8CC MALE COMP. FITTING W/FERRULE	4	EA	
29	007147-000	SHUTOFF VALVE ASSY	1	EA	
30	043134-000	VALVE, BNR, 9/16-24 UNEF ASSY - NAT	3	EA	
30	047916-000	VALVE, BNR, 9/16-24 UNEF ASSY (BLUE) LP	3	EA	
31	046197-000	VALVE, BNR, 9/16-24 UNEF ASSY - NAT	3	EA	
31	047915-000	VALVE, BNR, 9/16-24 UNEF ASSY (RED) LP	3	EA	
32	046184-000	ORIFICE, BNR, STD, 1.70MM Nat	2	EA	
32	043680-000	ORIFICE, BNR, STD, 1.07MM	2	EA	
33	PB040213	3/8" COMPRESSION NUT (DGCU)	1	EA	
34	PB040192	3/8" CC FERREL (DGCU)	1	EA	
35	PB020116	TUBING - 10" FLEXIBLE 12 & 24"	1	EA	
NI	PB020126	3/8" S.S. FLEX TUBING 15" (DGCU)	1	EA	

SURFACE



Item	Part No.	Name	Qty	Uom	NOTES
1	N/P	BOX, BNR, 48"		EA	
Not Shown	NOTE	(NOT FIELD REPLACEABLE)		EA	
2	049728-000	BRACKET, MTG, 48" CONTROL PANEL	1	EA	
3	049797-000	INSULATION, 1/4", ADHESIVE BACKED	1	EA	Not available online / Call for pricing and availability
4	049749-000	TRAY, INSULATION, BURNER PAN, GRIDDLE, 48"	1	EA	
5	049776-000	INSULATION, LINER, GRIDDLE, BURNER PAN, 48"	1	EA	
6	049053-402	PAN, BNR, SHIM, ASM, BLK, 48" GRIDDLE	1	EA	
7	046854-000	SHIELD, HEAT	1	EA	
8	044873-000	PLATE, 12" GRIDDLE	1	EA	
9	047069-000	BASE, SUMP, GRIDDLE, ASM	1	EA	
10	044486-000	SUPPORT, HLDR, JET	6	EA	
11	042545-000	GRATE, CAST, 12	3	EA	
12	047072-000	TROUGH, GRS, GRIDDLE, ASM	1	EA	
13	045843-000	BRKT, BURNER, SPT	1	EA	
14	045840-000	BURNER, HOLDER, REAR	1	EA	
15	042410-000	SUPPORT, GRATE	12	EA	
Not Shown	NOTE	(MUST ORDER ITEM 30)		EA	
16	046873-000	SILENCER, GRATE	12	EA	
Not Shown	NOTE	(MUST ORDER ITEM 30)		EA	
17	045888-000	BRKT, GRDL	1	EA	
18	049534-000	SCREW, 8-32 X 3/4, PHIL, FLAT	12	EA	
Not Shown	NOTE	(MUST ORDER ITEM 30)		EA	
19	003860-000	10-18 x .500 FASTNR, SCR, HXWH, STL, ZPLT		EA	
20	037304-000	FASTENER, PNH, TORX, AB, PSVD, WAX		EA	
21	PD020068	NO.10 - 32 X 1/2TRUSS. PHIL. M.XSSX		EA	
22	033668-000	BRACKET, DISCONNECT	1	EA	





Item	Part No.	Name	Qty	Uom	NOTES
23	PE070069	STRAIGHT-THRU BUSHING	1	EA	
24	045548-000	CLIP, ROUTING, WIRE	6	EA	
25	PD020010	10 X 3/8 GREEN GROUNDING SCREW		EA	
26	014143-000	SCR 10-12 A SHLD TRP 1/2 S ZN BLUE		EA	
27	068310-000	BRKT, SHELF, POWER SUPPLY	2	EA	
Not Shown	NOTE	See TC-0118-SP Service Bulletin		EA	
28	PD030109	INSULATED CLAMP	1	EA	
29	048961-000	STANDOFF, TWIST LOCK, TALL	12	EA	
30	058147-000	GRATE SUPPORT ASM	12	EA	

Comments for Part Num. 058147-000

gboltz@VikingRange.com on Jun 6, 2016
See parts bulletin 2016-03P Grate support changes



Appendix A:Pages Index

CONTROL	1
DECOR	2
ELECTRICAL - 1	3
ELECTRICAL - 2	4
GAS	5
SURFACE	6



Appendix B:Parts Index

002513-000	5	044512-000	1
002884-000	5	044686-000	5
003801-000	2	044688-000	5
003860-000	2, 3, 6	044747-000	4
007008-000	3	044820-000	5
007147-000	5	044824-000	5
009111-000	3	044832-000	5
014143-000	2, 6	044873-000	6
028312-000	3	044937-000	1
028324-000	3	045528-000	3
030292-000	4	045548-000	6
033668-000	6	045725-000	1
037304-000	6	045840-000	6
038413-000	3	045843-000	6
038655-000	3	045888-000	6
042410-000	6	045932-000	3
042545-000	6	046117-000	2
042558-000	1	046119-000	5
042797-000	2	046120-000	5
043065-000	3	046133-000	5
043067-000	3	046184-000	5
043134-000	5	046197-000	5
043135-000	3	046283-000	3
043158-000	5	046399-000	5
043208-000	5	046508-000	2
043249-000	5	046515-000	2
043251-000	5	046854-000	6
043453-000	3	046873-000	6
043675-000	5	046908-000	5
043679-000	5	046964-000	5
043680-000	5	047069-000	6
043790-000	5	047072-000	6
043791-000	5	047915-000	5
043994-000	4	047916-000	5
044310-000	5	048309-000	1
044321-000	5	048482-000	3
044323-000	5	048809-000	3
044485-000	5	048860-2646	1
044486-000	6	048961-000	6
044487-000	5	049047-000	4
		049053-402	6



049435-000 3
049534-000 6
049728-000 6
049749-000 6
049776-000 6
049797-000 6
049878-000 3
052892-000 2
053356-000 5
053357-000 5
058147-000 6
068288-000 3
068310-000 6
069995-000 3
M0211021 3
PA020028 3
PA020058 3
PB020116 5
PB020126 5
PB020191 5
PB020198 5
PB040050 5
PB040190 5
PB040192 5
PB040213 5
PD010012 5
PD020004 3
PD020010 6
PD020032 1
PD020046 1
PD020068 6
PD030006 1
PD030109 6
PE010142 1
PE070069 6