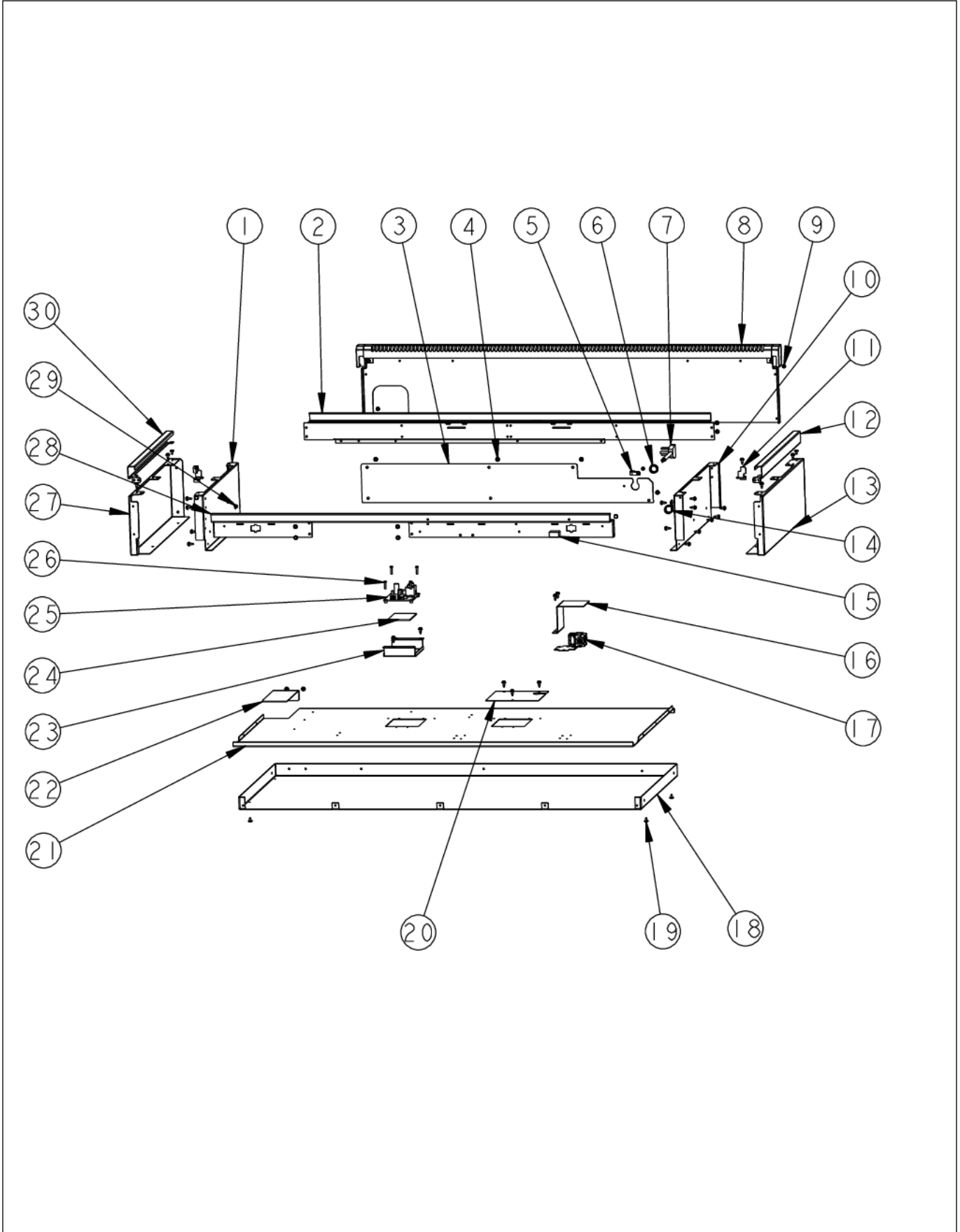


VGRT5486G

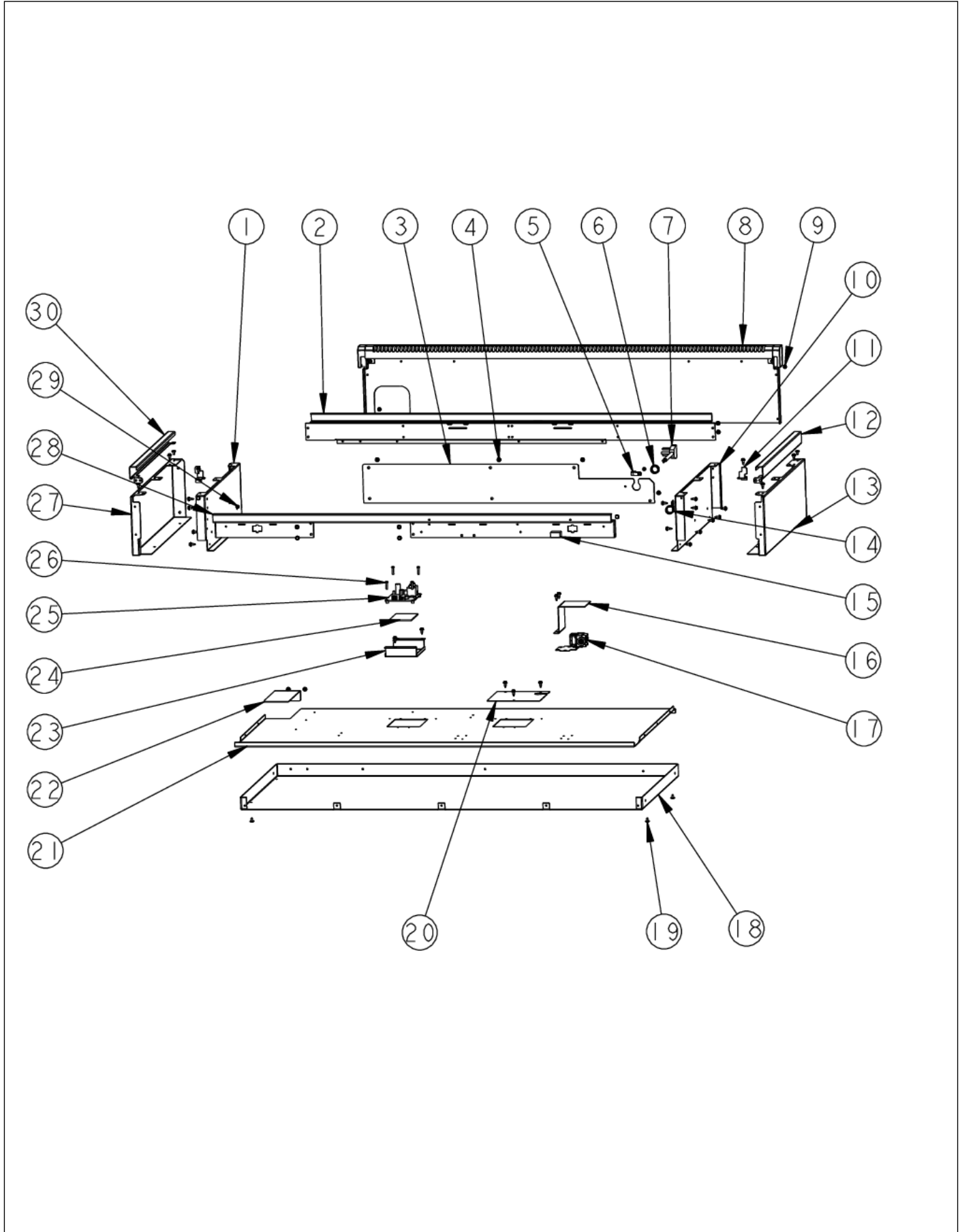
BURNER BOX	1
CONTROL PANEL	2
SURFACE BURNERS	3
Appendix A:Pages Index	A
Appendix B:Parts Index	B

BURNER BOX





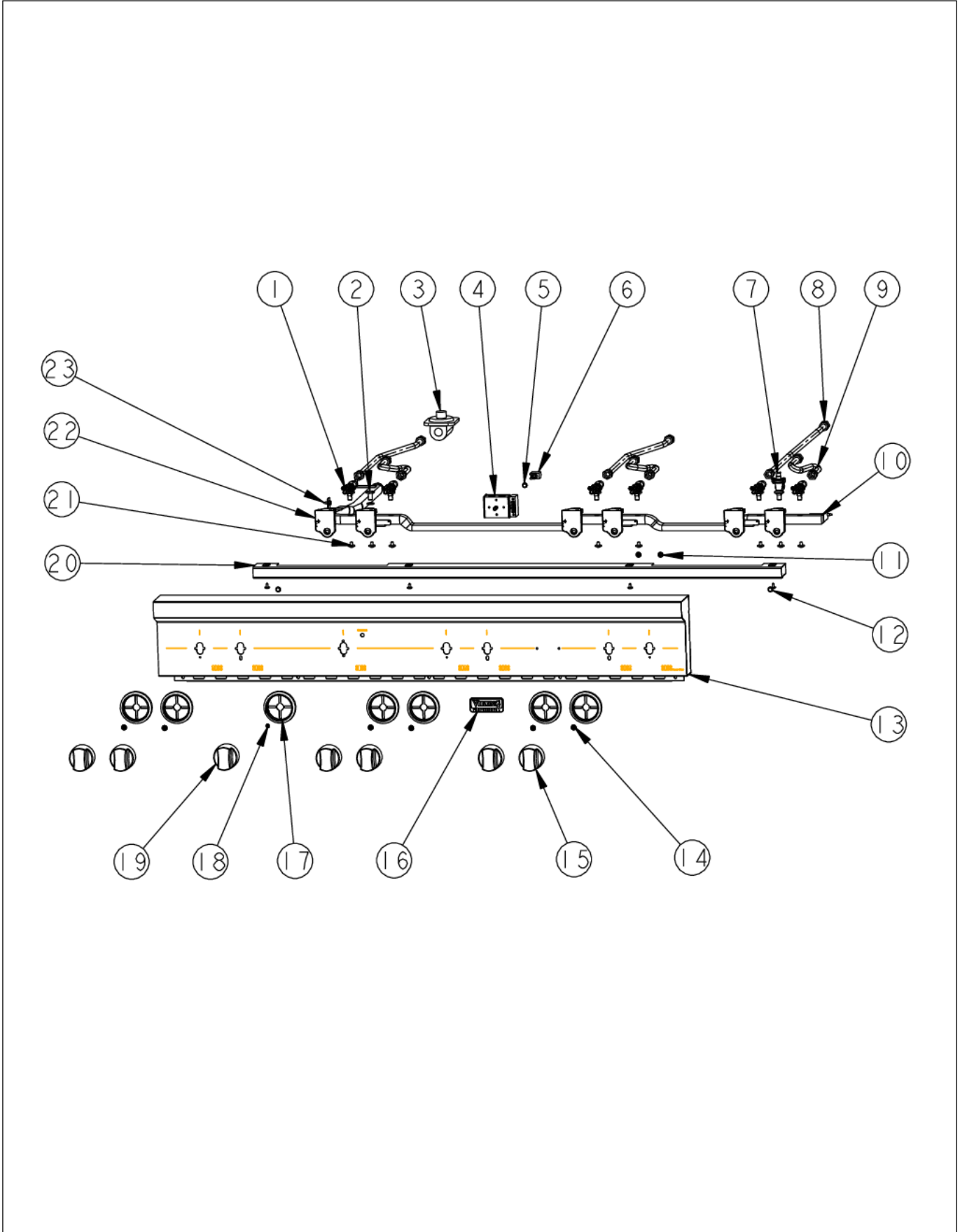
Item	Part No.	Name	Qty	Uom	NOTES
1	003481-000	BURNER BOX SIDE, LH	1	EA	
2	008464-000	BRNR BOX,REAR,FLAT,SUPPORT,VD SC5484GQ 48"	1	EA	
3	014327-000	RANGETOP, PANEL, BACK, VGRT548	1	EA	
4	003860-000	10-18 x .500 FASTNR,SCR,HXWH,STL,ZPLT	45	EA	
5	PD030148	CLAMP CABLE ALUMINUM .500 DIA.	1	EA	
6	PD040005	SNAP BUSHING - 7/8"	1	EA	
7	PE070128	Supply Cord	1	EA	
8	041509-000	TRIM, IS, ASSY, 48"	1	EA	
9	PD020055	' #10 X 1/2" PAN PHIL. TEK.*SS*	4	EA	
10	002755-000	BURNER BOX SIDE, RH	1	EA	
11	004021-000	SUPPORT,TRIM,SIDE	2	EA	
12	002920-000	TOP TRIM RING, RH	1	EA	
13	008100-000	PANEL, RH RANGETOP	1	EA	
14	PD030109	INSULATED CLAMP	1	EA	
15	PE070071	Disconnect Block - Female	1	EA	
16	009402-000	SOLENOID HEAT SHIELD COVER	1	EA	
17	009111-000	VALVE, SOL, SINGLE	1	EA	
18	014324-000	RANGETOP, PANEL, BTM, VGRT548	1	EA	
19	PD020032	SRW-8(A)X3/8"PH.WFR HD 7/16DIA*NICL	8	EA	
20	008904-000	BURNER BOX, DSI COVER	1	EA	
21	006240-000	BURNER BOX BOTTOM,FLAT,VDSC548	1	EA	
22	007793-000	PLATE, SVCE,FLAT,REGULATOR,VDSC 548	1	EA	
23	014306-000	BRACKET,SUPT,BOT,DSI BOARD,VGRT536-4G	1	EA	
24	PB070191	INSULATION PAD	1	EA	
25	PA020056	NLA - See TC-0063D-SP for kit number (see comments)	1	EA	



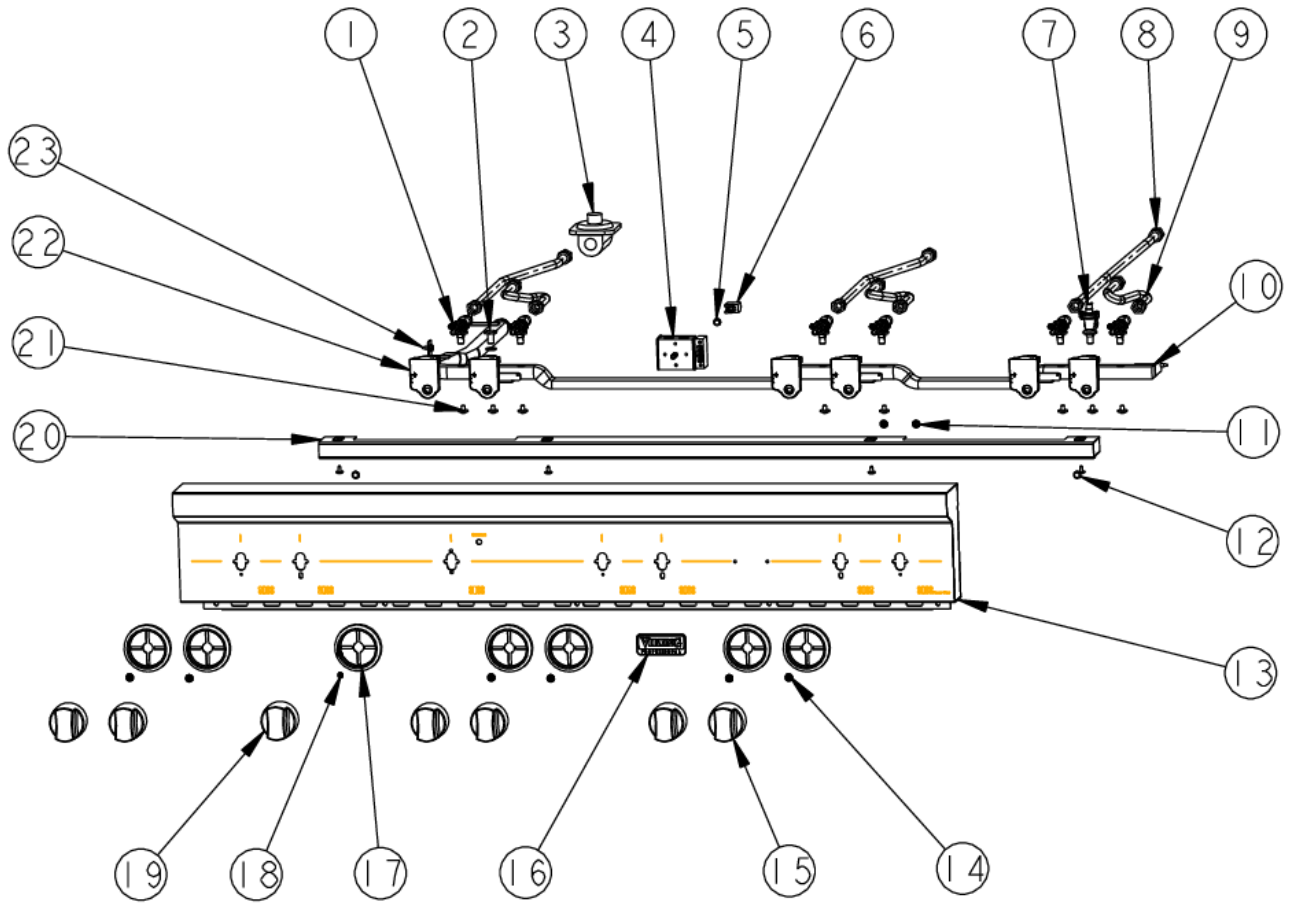


Item	Part No.	Name	Qty	Uom	NOTES
Not Shown	NOTE	(BEFORE 01/13/11)		EA	
25	023651-000	DSI120-2-LVS	1	EA	
Not Shown	NOTE	(ON OR AFTER 01/13/11)		EA	
26	PD020046	' #8 X 1/2 SCREWS	4	EA	
27	008101-000	PANEL, LH, RANGETOP	1	EA	Not available online / Call for pricing and availability
28	008461-000	SUPPORT, FRONT	1	EA	
29	PD020010	10 X 3/8 GREEN GROUNDING SCREW	2	EA	
30	003649-000	TOP TRIM RING, LH	1	EA	

CONTROL PANEL



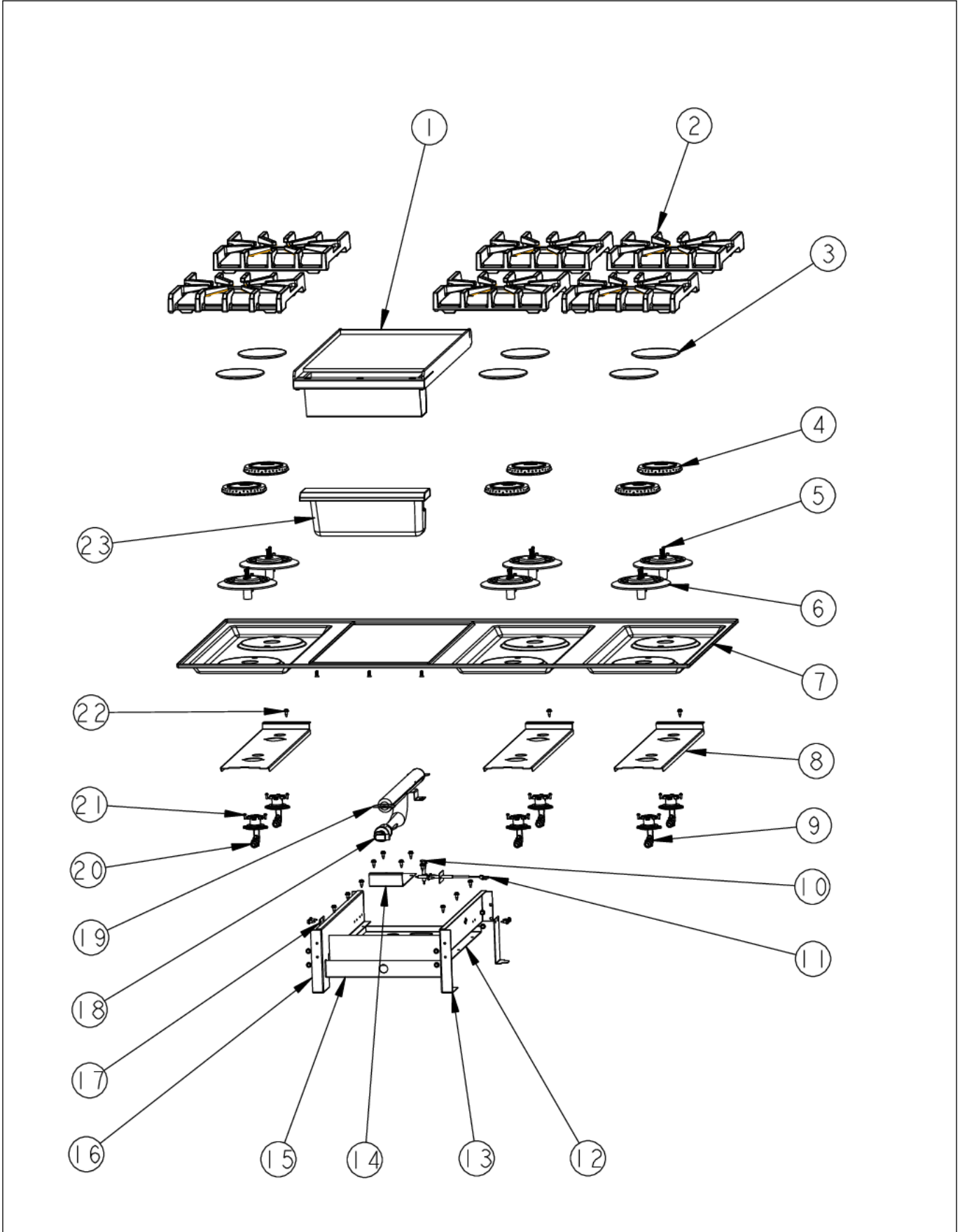
Item	Part No.	Name	Qty	Uom	NOTES
1	006313-000	VALVE, BRS, SEALED TOP	6	EA	
2	002884-000	MANIFOLD PLUG	1	EA	
3	PA070003	PRESSURE REGULATOR	1	EA	
4	013213-000	TSTAT, SMPS, ELEC, 2-POS, .91" SHAFT, CB	1	EA	
5	PE050023	OVEN IND. LIGHT (LENS & BEZEL)	1	EA	
Not Shown	NOTE	(BEFORE 02/21/12)		EA	
5	027968-000	INDICATOR, LIGHT, BLUE	1	EA	
Not Shown	NOTE	(ON OR AFTER 02/21/12)		EA	
6	PE050072	LENS OPENING	1	EA	
Not Shown	NOTE	(BEFORE 02/21/12)		EA	
6	015170-000	HOUSING, LIGHT, BLUE NEON, 125V	1	EA	
Not Shown	NOTE	(ON OR AFTER 02/21/12)		EA	
7	007147-000	SHUTOFF VALVE ASSY	1	EA	
8	PB020193	16" FLEX TUBING W/CONNECTORS	3	EA	
9	PB020192	10" FLEX TUBING W/CONNECTORS	1	EA	
NI	PB020111	TUBING,FLEX,38"	1	EA	
NI	PB040050	3/8CC MALE COMP. FITTING W/FERRULE	2	EA	
NI	PB020112	3/8 SS FLEX TUBING - 36" T6- 36	1	EA	
NI	PB020193	16" FLEX TUBING W/CONNECTORS	1	EA	
NI	PB020126	3/8" S.S. FLEX TUBING 15" (DGCU)	2	EA	
NI	PB040192	3/8" CC FERREL (DGCU)	1	EA	
NI	PB040213	3/8" COMPRESSION NUT (DGCU)	1	EA	
10	008300-000	MANIFOLD, GAS, VDSC548-6G	1	EA	
11	PD030006	CAPPED WASHER PAL NUT	2	EA	
12	PD020032	SRW-8(A)X3/8"PH.WFR HD 7/16DIA*NICL	6	EA	





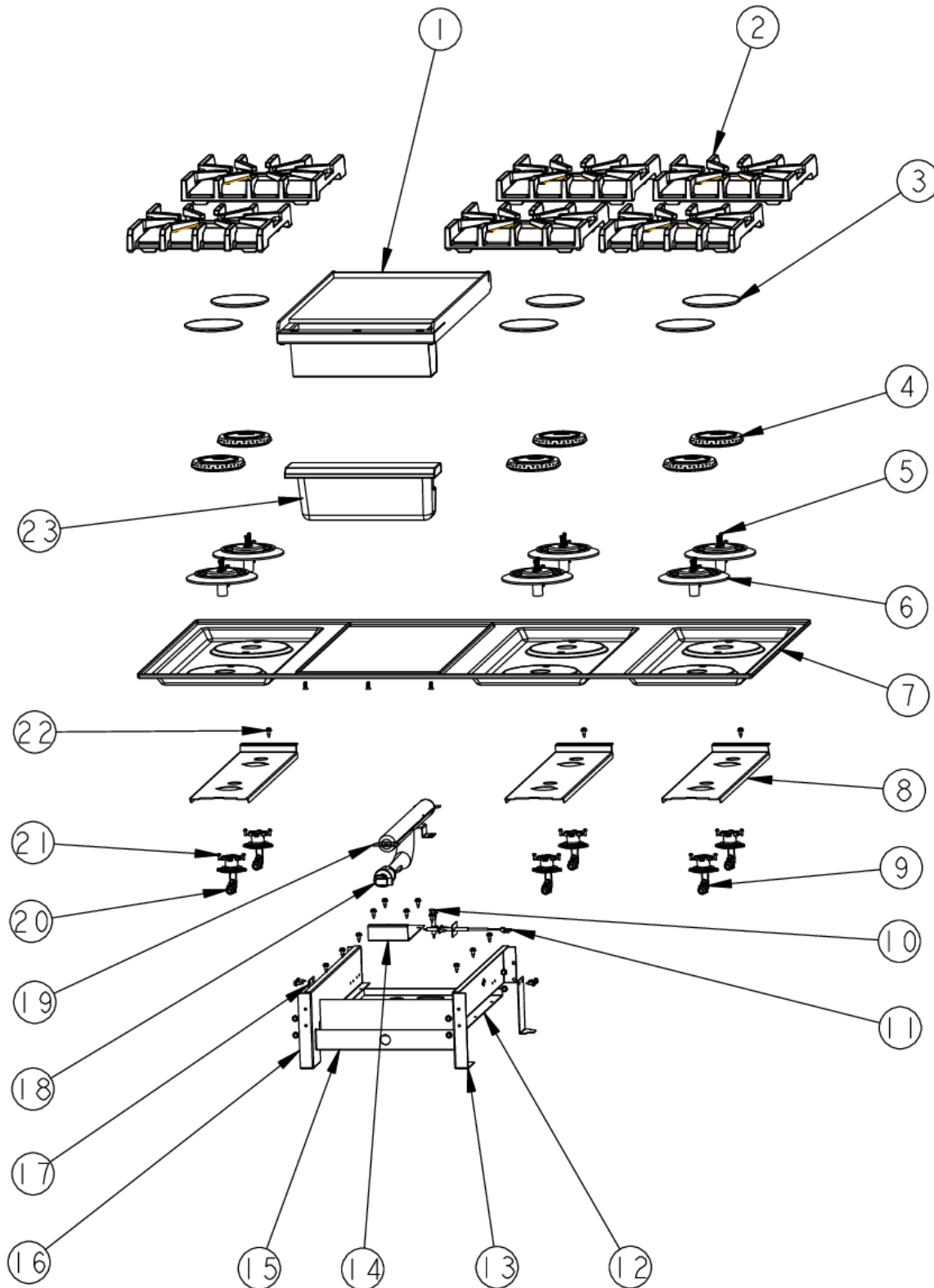
Item	Part No.	Name	Qty	Uom	NOTES
13	041911-2207	PNL, CTRL, ASM W/GRAPHICS, VGRT548-6G	1	EA	
14	PD020046	' #8 X 1/2 SCREWS	6	EA	
15	005269-000	RANGE TOP BURNER KNOB-BRUSHED, SSS	6	EA	
Not Shown	NOTE	(BEFORE 12/20/12)		EA	
15	035881-000	KNOB, BNR, TOP PRO CR3	6	EA	
Not Shown	NOTE	(ON OR AFTER 12/20/12)		EA	
15	PB010285	SURFACE BURNER KNOB - WH	6	EA	
16	PE010142	3" VIKING LOGO BLACK/CHROME	1	EA	
17	050172-000	BEZEL, KNOB	7	EA	
17	PB010304PVD	RESTYLE KNOB BEZEL, BR	7	EA	
18	PD020062	#8-32 X 3/8 PHMS TYPE 1	2	EA	
19	006570-000	KNOB, GRDL/(LH OVEN), ASM, PVD, #3, SSS	1	EA	
<p>Comments for Part Num. 006570-000</p> <p>bradleysapplianceservice@shaw.ca on Aug 25, 2015</p> <p>006570-000 Griddle Knob Satin Stainless Steel (SSS) - Serial Break: Before 12/20/12</p> <p>035883-000 Griddle Knob Stainless Steel (SS) - Serial Break After 12/20/12</p> <p>If stainless steel (SS) is required: Use part number 035883-000 Griddle Knob</p>					
Not Shown	NOTE	(BEFORE 12/20/12)		EA	
19	035883-000	KNOB,GRDL,PRO CR3	1	EA	
Not Shown	NOTE	(ON OR AFTER 12/20/12)		EA	
20	011717-000	TRIM ASM	1	EA	
21	PD010012	1/4 x 3/8 VALVE BOLT	8	EA	
22	PA020058	IRIS SINGLE SPARK MODULE	6	EA	
23	003860-000	10-18 x .500 FASTNR,SCR,HXWH,STL,ZPLT	2	EA	

SURFACE BURNERS





Item	Part No.	Name	Qty	Uom	NOTES
1	012291-000	GRIDDLE ASM, CUSTOM RANGES	1	EA	
2	007323-000	BURNER GRATE	6	EA	
Not Shown	NOTE	(BEFORE 11/21/14)		EA	
2	049420-000	GRATE, BURNER, ASM	6	EA	
Not Shown	NOTE	(ON OR AFTER 11/21/14)		EA	
NI	PD040075	RUBBER FOOT	24	EA	
Not Shown	NOTE	(BEFORE 11/21/14)		EA	
NI	049416-000	BUMPER, GRATE	24	EA	
Not Shown	NOTE	(ON OR AFTER 11/21/14)		EA	
3	PA080083	D BURNER CAP *MATTE BLACK*	6	EA	
4	018200-000	ADJUSTED SEALED BURNER HEAD	6	EA	
5	009197-000	#6-32 X 5/8 18-8 SS NC SOC CAP	12	EA	
6	003322-041	SEALED BURNER BASE, PAINTED FINISH- GRAY	6	EA	
7	E9109801BK	48" SEALED COOKTOP 6BG & 6BQ *BK*	1	EA	
8	002923-000	BURNER MODULE SUPPORT	3	EA	
9	001394-041	18500 BTU NAT JETHOLDER	2	EA	
9	001394-044	16.6 K BTU LP JETHOLDER	2	EA	
10	PA020028	SPARK IGNITER	1	EA	
11	007008-000	RTD PROBE	1	EA	
12	013953-000	GRIDDLE, BOX, BOTTOM, CUSTOM "G" RANGES	1	EA	
13	009097-000	RIGHT GRIDDLE SUPPORT, 36"	1	EA	Not available online / Call for pricing and availability
14	006785-000	GRIDDLE, BOX, VENTURI, COVER	1	EA	
15	006785-000	GRIDDLE, BOX, VENTURI, COVER	1	EA	
16	006783-000	GRIDDLE BRKT, ORIFICE, CUSTOM RANGES	1	EA	





Item	Part No.	Name	Qty	Uom	NOTES
17	010649-000	FOOT, GRIDDLE BOX , VG536-4G	2	EA	
18	PB040190	90 DEGREE ORIFICE FITTING #50 NAT	1	EA	
18	002513-000	90 DEGREE ORIFICE FITTING #57 LP	1	EA	
19	013888-000	GRIDDLE, BURNER, ASM, NAT, W/IGNITOR BRACKET	1	EA	
20	001394-042	15000 BTU NAT JETHOLDER	4	EA	
20	001394-046	12.5 K BTU LP JETHOLDER	4	EA	
21	PD020076	6-32 X 3/8" PHILL PAN MS	4	EA	
22	003860-000	10-18 x .500 FASTNR,SCR,HXWH,STL,ZPLT	33	EA	
23	023451-000	TROUGH, ASM	1	EA	
NI	015357-000	IGNITOR, W/WIRE	1	EA	
NI	006766-000	IRIS IGNITOR WIRE, BACK BURNER	3	EA	
NI	000647-000	IRIS IGNITOR WIRE, FRONT BURNER	3	EA	



Appendix A:Pages Index

BURNER BOX	1
CONTROL PANEL	2
SURFACE BURNERS	3



Appendix B:Parts Index

000647-000	3	013888-000	3
001394-041	3	013953-000	3
001394-042	3	014306-000	1
001394-044	3	014324-000	1
001394-046	3	014327-000	1
002513-000	3	015170-000	2
002755-000	1	015357-000	3
002884-000	2	018200-000	3
002920-000	1	023451-000	3
002923-000	3	023651-000	1
003322-041	3	027968-000	2
003481-000	1	035881-000	2
003649-000	1	035883-000	2
003860-000	1, 2, 3	041509-000	1
004021-000	1	041911-2207	2
005269-000	2	049416-000	3
006240-000	1	049420-000	3
006313-000	2	050172-000	2
006570-000	2	E9109801BK	3
006766-000	3	PA020028	3
006783-000	3	PA020056	1
006785-000	3, 3	PA020058	2
007008-000	3	PA070003	2
007147-000	2	PA080083	3
007323-000	3	PB010285	2
007793-000	1	PB010304PVD	2
008100-000	1	PB020111	2
008101-000	1	PB020112	2
008300-000	2	PB020126	2
008461-000	1	PB020192	2
008464-000	1	PB020193	2, 2
008904-000	1	PB040050	2
009097-000	3	PB040190	3
009111-000	1	PB040192	2
009197-000	3	PB040213	2
009402-000	1	PB070191	1
010649-000	3	PD010012	2
011717-000	2	PD020010	1
012291-000	3	PD020032	1, 2
013213-000	2	PD020046	1, 2
		PD020055	1



PD020062	2
PD020076	3
PD030006	2
PD030109	1
PD030148	1
PD040005	1
PD040075	3
PE010142	2
PE050023	2
PE050072	2
PE070071	1
PE070128	1