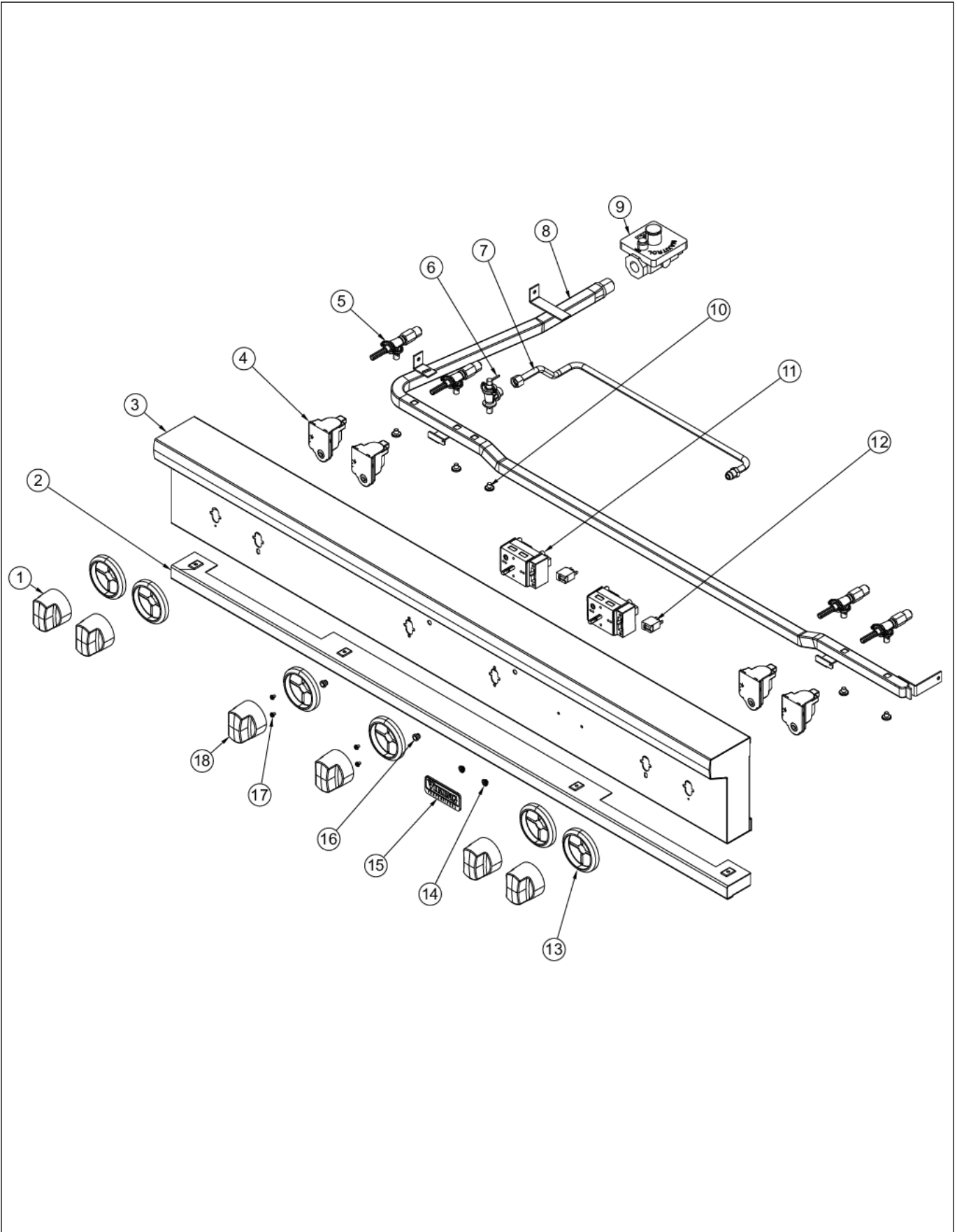


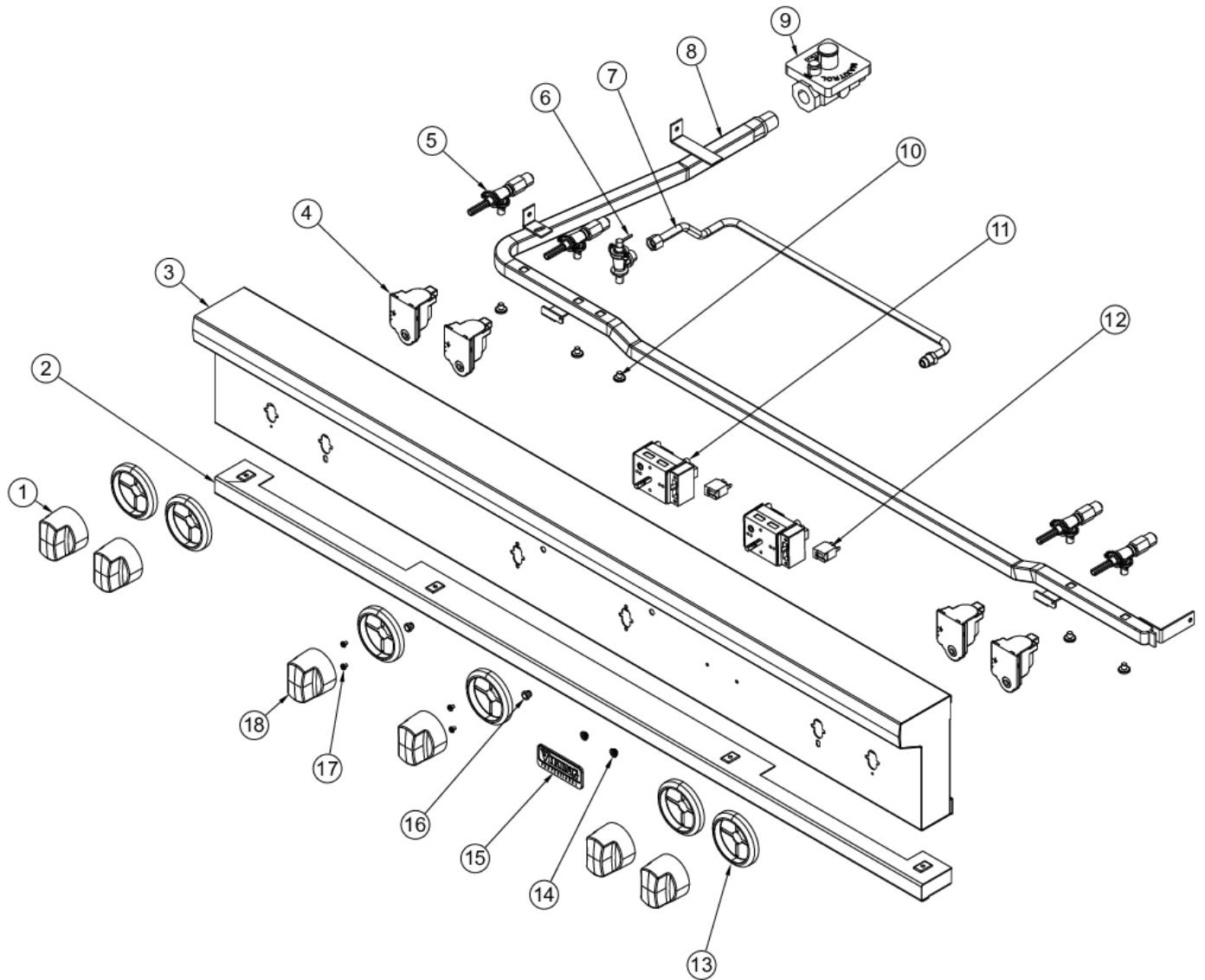
VGRT548-4G

CONTROL AREA	1
GRIDDLE ASSEMBLY	2
SURFACE COOKING AREA	3
WIRING	4
Appendix A:Pages Index	A
Appendix B:Parts Index	B

CONTROL AREA



Item	Part No.	Name	Qty	Uom	NOTES
1	005269-000	RANGE TOP BURNER KNOB-BRUSHED, SSS	4	EA	
Not Shown	NOTE	(BEFORE 12/20/12)		EA	
1	035881-000	KNOB, BNR, TOP PRO CR3	4	EA	
Not Shown	NOTE	(ON OR AFTER 12/20/12)		EA	
2	011717-000	TRIM ASM	1	EA	
3	025950-2307	PANEL, CNTRL, ASM VGRT548-4G W/GRAPHICS	1	EA	
4	PA020058	IRIS SINGLE SPARK MODULE	4	EA	
5	006313-000	VALVE, BRS, SEALED TOP	4	EA	
6	007147-000	SHUTOFF VALVE ASSY	1	EA	
7	026037-000	TUBING, GRIDDLE VALVE	1	EA	
8	026070-000	MANIFOLD, DF 484G	1	EA	
9	PA070003	PRESSURE REGULATOR	1	EA	
9	013386-000	LP PRESSURE REGULATOR	1	EA	
10	PD010012	1/4 x 3/8 VALVE BOLT	5	EA	
11	013213-000	TSTAT, SMPS, ELEC, 2-POS, .91" SHAFT, CB	2	EA	
12	PE050024	OVEN IND. LIGHT (LIGHT HOUSING)	2	EA	
<p>Comments for Part Num. PE050024</p> <p>haarnink@vikingrange.com on Jan 14, 2019</p> <p>please not that the indicator light is now part 043135-000 but needs the Jumper harness 051443-000. and second option there are units in the field with a 230V indicator light part number 036566-000.</p> <p>please check this for all "E" module ranges/Tops</p>					
Not Shown	NOTE	(BEFORE 02/21/12)		EA	
12	015170-000	HOUSING, LIGHT, BLUE NEON, 125V	2	EA	
Not Shown	NOTE	(ON OR AFTER 02/21/12)		EA	
13	050172-000	BEZEL, KNOB	6	EA	
14	PD030006	CAPPED WASHER PAL NUT	2	EA	
15	PE010142	3" VIKING LOGO BLACK/CHROME	1	EA	





Item	Part No.	Name	Qty	Uom	NOTES
15	PE010143	3" LOGO BK/BR	1	EA	
16	PE050023	OVEN IND. LIGHT (LENS & BEZEL)	2	EA	
Not Shown	NOTE	(BEFORE 02/21/12)		EA	
16	027968-000	INDICATOR, LIGHT, BLUE	1	EA	
Not Shown	NOTE	(ON OR AFTER 02/21/12)		EA	
17	PD010028	BOLT M4X5	4	EA	
18	006570-000	KNOB, GRDL/(LH OVEN), ASM, PVD, #3, SSS	2	EA	

Comments for Part Num. 006570-000

bradleysapplianceservice@shaw.ca on Aug 25, 2015

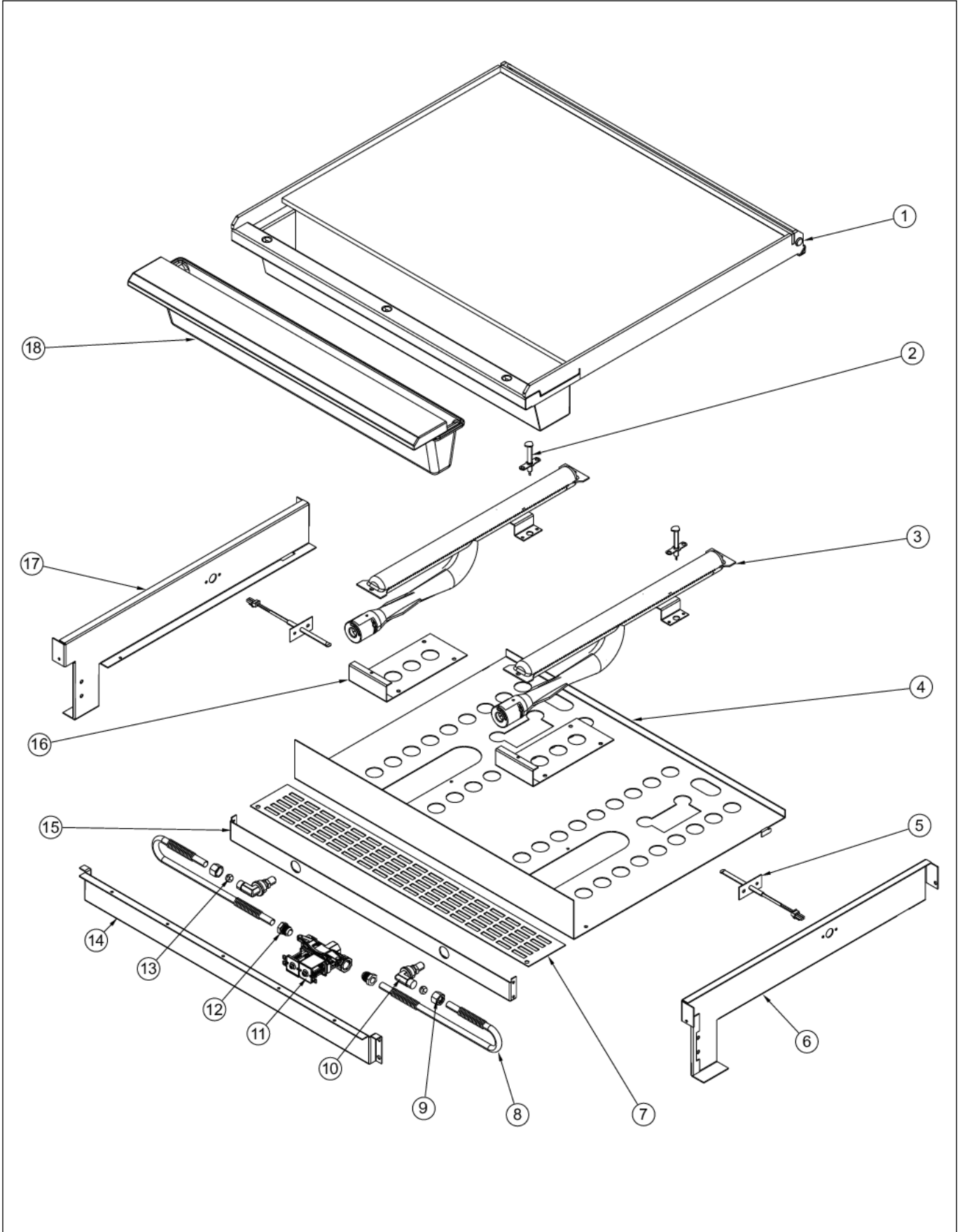
006570-000 Griddle Knob Satin Stainless Steel (SSS) - Serial Break: Before 12/20/12

035883-000 Griddle Knob Stainless Steel (SS) - Serial Break After 12/20/12

If stainless steel (SS) is required: Use part number 035883-000 Griddle Knob

Not Shown	NOTE	(BEFORE 12/20/12)		EA	
18	035883-000	KNOB,GRDL,PRO CR3	2	EA	
Not Shown	NOTE	(ON OR AFTER 12/20/12)		EA	
NI	PD020046	' #8 X 1/2 SCREWS	4	EA	

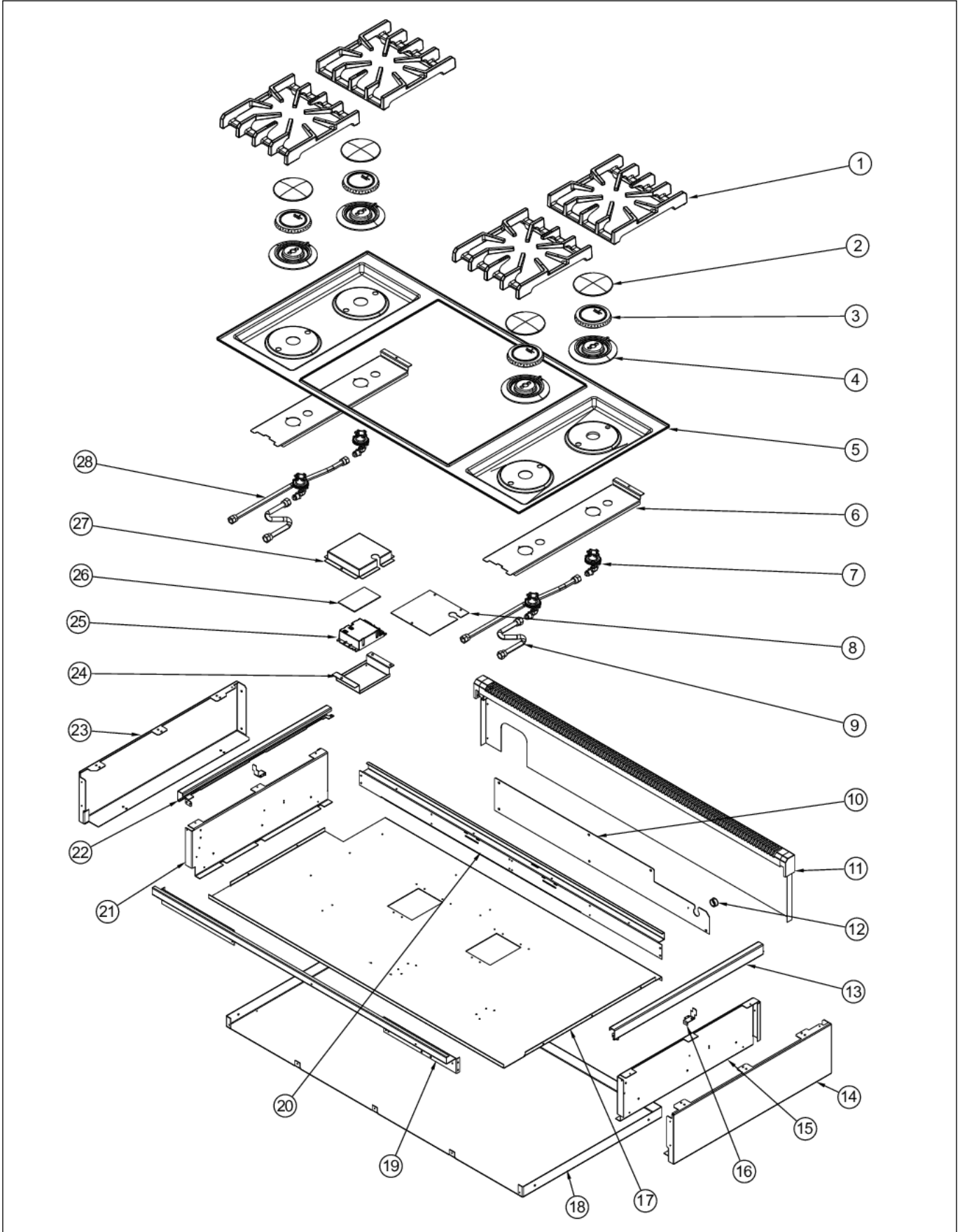
GRIDDLE ASSEMBLY





Item	Part No.	Name	Qty	Uom	NOTES
1	040248-000	24" GRIDDLE, ASM	1	EA	
2	PA020028	SPARK IGNITER	2	EA	
3	013888-000	GRIDDLE, BURNER, ASM, NAT, W/IGNITOR BRACKET	2	EA	
3	013889-000	GRIDDLE, BURNER, ASM, LP, W/IGNITOR BRACKET	2	EA	
4	026114-000	GRIDDLE, BOX, BTM, 24"	1	EA	
5	007008-000	RTD PROBE	2	EA	
6	016295-000	SIDE, GRILL BOX, RH	1	EA	
7	027489-000	SHIELD, WIRE	1	EA	
8	PB020126	3/8" S.S. FLEX TUBING 15" (DGCU)	2	EA	
9	PB040051	3/8CC FEMALE COMP. FITTING	2	EA	
10	PB040190	90 DEGREE ORIFICE FITTING #50 NAT	2	EA	
10	002513-000	90 DEGREE ORIFICE FITTING #57 LP	2	EA	
11	009112-000	VALVE, SOL, DOUBLE	1	EA	
12	PB040050	3/8CC MALE COMP. FITTING W/FERRULE	2	EA	
13	PB040049	3/8 *BR* FERRULE (FOR 3/8CC FEMALE)	2	EA	
14	026036-000	BRACE, SUPPORT, FRONT	1	EA	
15	026113-000	GRIDDLE ORIFICE BRKT	1	EA	
16	006785-000	GRIDDLE, BOX, VENTURI, COVER	2	EA	
17	016293-000	GRIDDLE SUPPORT, LEFT	1	EA	
18	025750-000	TROUGH, GRIDDLE, ASM, 24"	1	EA	
NI	PD020010	10 X 3/8 GREEN GROUNDING SCREW	1	EA	

SURFACE COOKING AREA



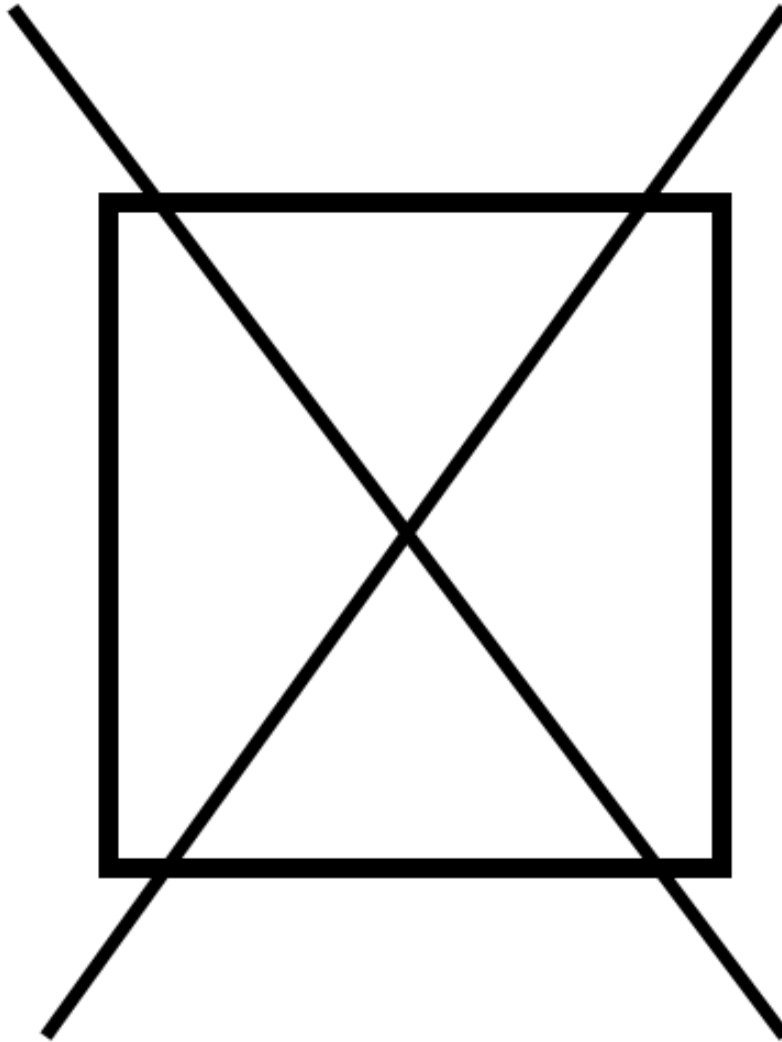


Item	Part No.	Name	Qty	Uom	NOTES
1	007323-000	BURNER GRATE	4	EA	
Not Shown	NOTE	(BEFORE 11/21/14)		EA	
1	049420-000	GRATE, BURNER, ASM	4	EA	
Not Shown	NOTE	(ON OR AFTER 11/21/14)		EA	
2	PA080083	D BURNER CAP *MATTE BLACK*	4	EA	
3	018200-000	ADJUSTED SEALED BURNER HEAD	4	EA	
4	003322-041	SEALED BURNER BASE, PAINTED FINISH- GRAY	4	EA	
5	E2109804	48" SEALED TOP	1	EA	Not available online / Call for pricing and availability
6	002923-000	BURNER MODULE SUPPORT	2	EA	
7	001394-042	15000 BTU NAT JETHOLDER	4	EA	
7	001394-046	12.5 K BTU LP JETHOLDER	4	EA	
8	008904-000	BURNER BOX, DSI COVER	1	EA	
9	PB020192	10" FLEX TUBING W/CONNECTORS	2	EA	
10	014327-000	RANGETOP, PANEL, BACK, VGRT548	1	EA	
11	041509-000	TRIM, IS, ASSY, 48"	1	EA	
12	PD040005	SNAP BUSHING - 7/8"	1	EA	
13	002920-000	TOP TRIM RING, RH	1	EA	
14	008100-000	PANEL, RH RANGETOP	1	EA	
15	002755-000	BURNER BOX SIDE, RH	1	EA	
16	004021-000	SUPPORT,TRIM,SIDE	2	EA	
17	006240-000	BURNER BOX BOTTOM,FLAT,VDSC548	1	EA	
18	014324-000	RANGETOP, PANEL, BTM, VGRT548	1	EA	
19	025758-000	SUPPORT, FRONT	1	EA	
20	008464-000	BRNR BOX,REAR,FLAT,SUPPORT,VD SC5484GQ 48"	1	EA	
21	003481-000	BURNER BOX SIDE, LH	1	EA	
22	003649-000	TOP TRIM RING, LH	1	EA	



Item	Part No.	Name	Qty	Uom	NOTES
23	008101-000	PANEL, LH, RANGETOP	1	EA	Not available online / Call for pricing and availability
24	024301-000	BOARD, DSI, CRADLE	1	EA	
25	023651-000	DSI120-2-LVS	1	EA	
26	PB070191	INSULATION PAD	1	EA	
27	024305-000	COVER, DSI, 6G	1	EA	
28	PB020193	16" FLEX TUBING W/CONNECTORS	2	EA	

NON
ILLUSTRATED PART





Item	Part No.	Name	Qty	Uom	NOTES
NI	027705-000	WIRING DIAGRAM	1	EA	Not available online / Call for pricing and availability
NI	027705-050	WIRING DIAGRAM (FR)	1	EA	Not available online / Call for pricing and availability
NI	PE070128	Supply Cord	1	EA	
NI	027237-000	SUPPLY CORD JUMPER	1	EA	Not available online / Call for pricing and availability
NI	000573-000	POWER JUMPER WIRE	1	EA	
NI	036200-000	HARNESS. W/ GRIDDLE	1	EA	
NI	PE0780071	DISCONNECT BLOCK	1	EA	Not available online / Call for pricing and availability
NI	000647-000	IRIS IGNITOR WIRE, FRONT BURNER	4	EA	
NI	006766-000	IRIS IGNITOR WIRE, BACK BURNER	4	EA	
NI	013408-000	GRIDDLE HEADER	2	EA	
NI	PE070890	IRIS HARNESS - 36"	1	EA	
NI	012828-000	HARNESS, GROUND, DSI, VDSC536-4G	1	EA	
NI	031434-000	WIRE ASSEMBLY, BLACK	1	EA	
NI	031435-000	WIRE ASSEMBLY, WHITE	1	EA	



Appendix A:Pages Index

CONTROL AREA 1
GRIDDLE ASSEMBLY 2
SURFACE COOKING AREA 3
WIRING 4



Appendix B:Parts Index

000573-000	4	024301-000	3
000647-000	4	024305-000	3
001394-042	3	025750-000	2
001394-046	3	025758-000	3
002513-000	2	025950-2307	1
002755-000	3	026036-000	2
002920-000	3	026037-000	1
002923-000	3	026070-000	1
003322-041	3	026113-000	2
003481-000	3	026114-000	2
003649-000	3	027237-000	4
004021-000	3	027489-000	2
005269-000	1	027705-000	4
006240-000	3	027705-050	4
006313-000	1	027968-000	1
006570-000	1	031434-000	4
006766-000	4	031435-000	4
006785-000	2	035881-000	1
007008-000	2	035883-000	1
007147-000	1	036200-000	4
007323-000	3	040248-000	2
008100-000	3	041509-000	3
008101-000	3	049420-000	3
008464-000	3	050172-000	1
008904-000	3	E2109804	3
009112-000	2	PA020028	2
011717-000	1	PA020058	1
012828-000	4	PA070003	1
013213-000	1	PA080083	3
013386-000	1	PB020126	2
013408-000	4	PB020192	3
013888-000	2	PB020193	3
013889-000	2	PB040049	2
014324-000	3	PB040050	2
014327-000	3	PB040051	2
015170-000	1	PB040190	2
016293-000	2	PB070191	3
016295-000	2	PD010012	1
018200-000	3	PD010028	1
023651-000	3	PD020010	2
		PD020046	1



PD030006	1
PD040005	3
PE010142	1
PE010143	1
PE050023	1
PE050024	1
PE070128	4
PE070890	4
PE0780071	4