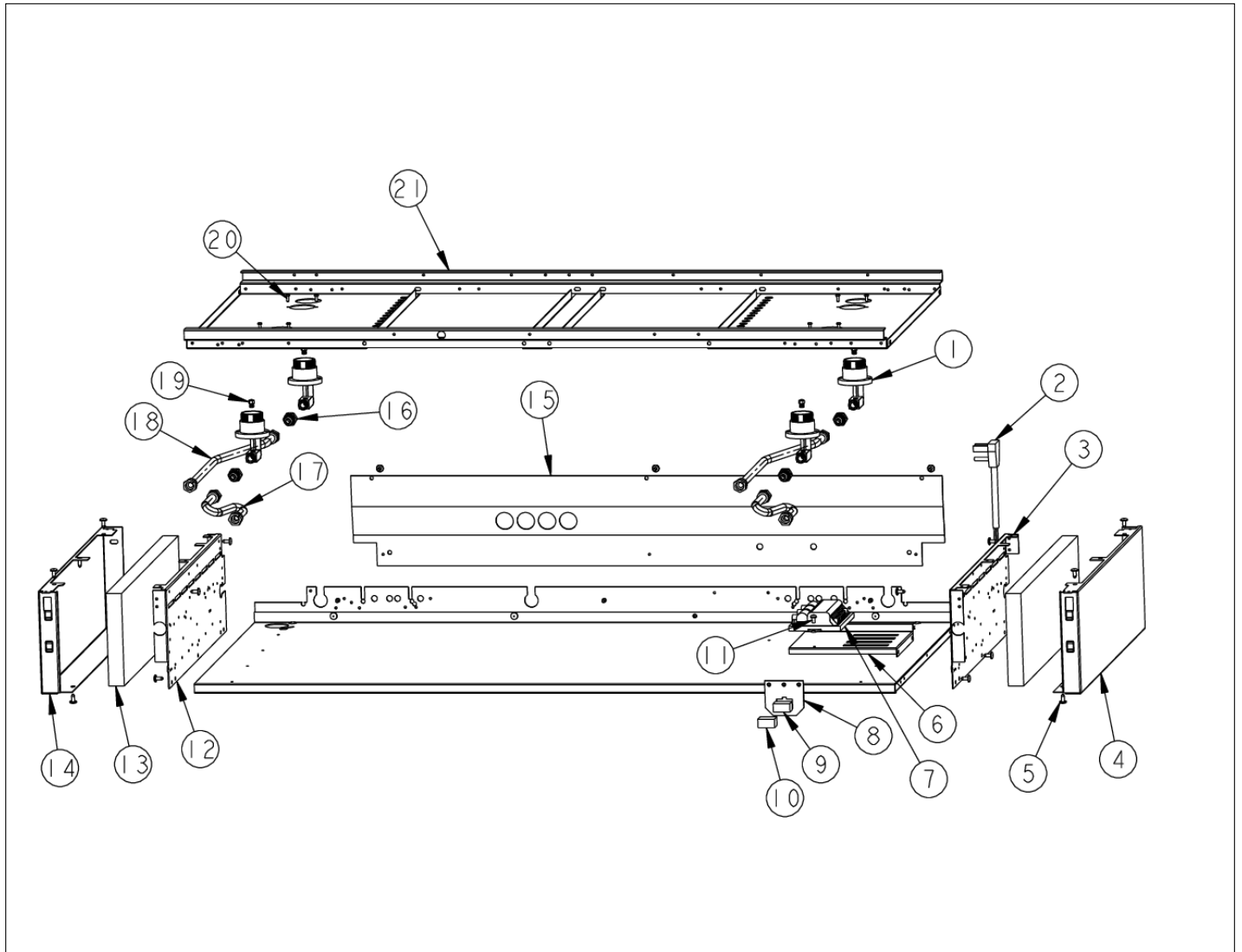


VGRT482-4GQ

BURNER BOX INTERIOR AREA	1
CONTROL AREA	2
DRIP TRAY	3
G4001701 WIRE HARNESS - LINE	4
G4001704 WIRE HARNESS (NEUTRAL)	5
GRIDDLE SUBASSEMBLY	6
GRILL SUBASSEMBLY	7
SINGLE WIRING	8
SURFACE COOKING AREA	9
Appendix A:Pages Index	A
Appendix B:Parts Index	B

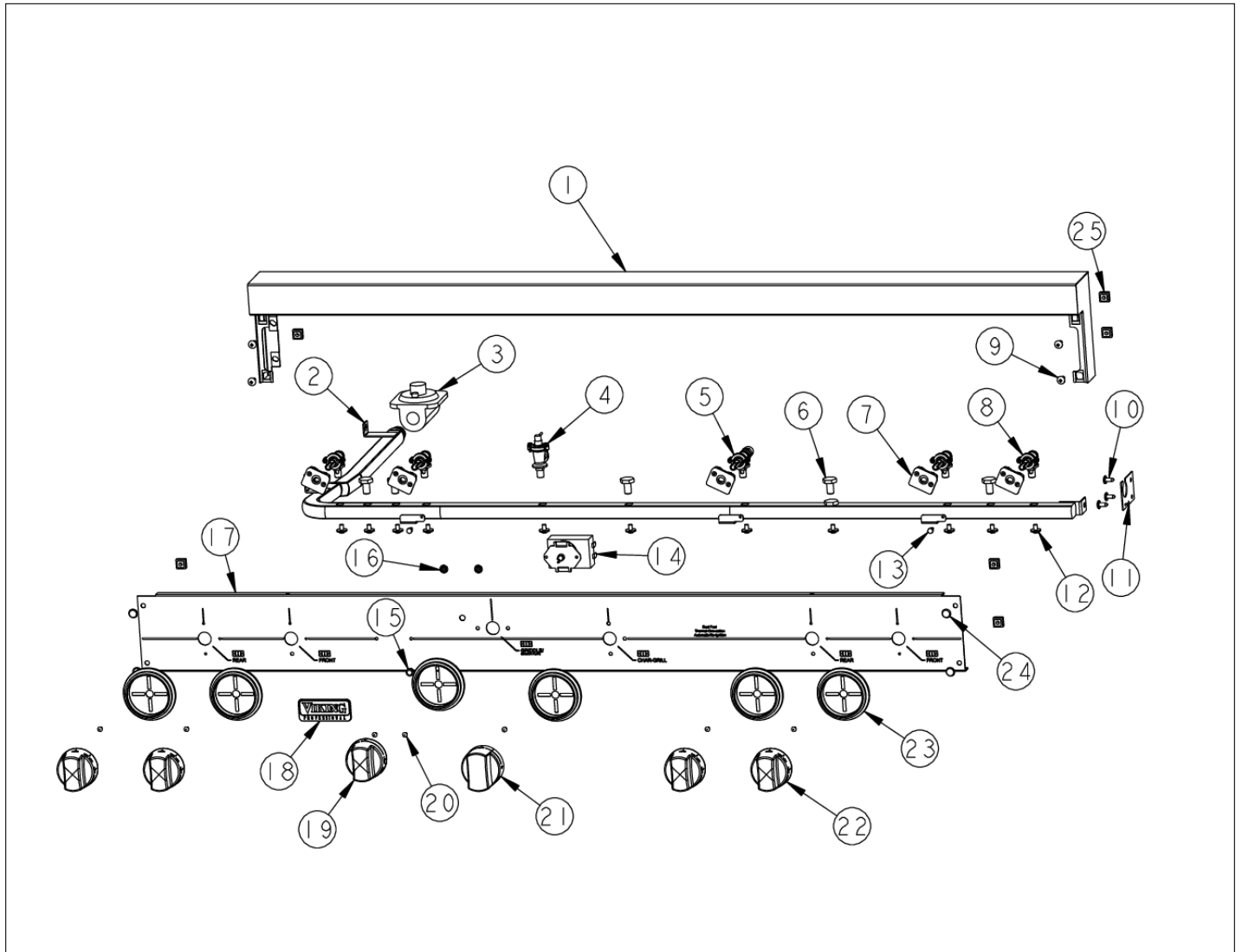
BURNER BOX INTERIOR AREA





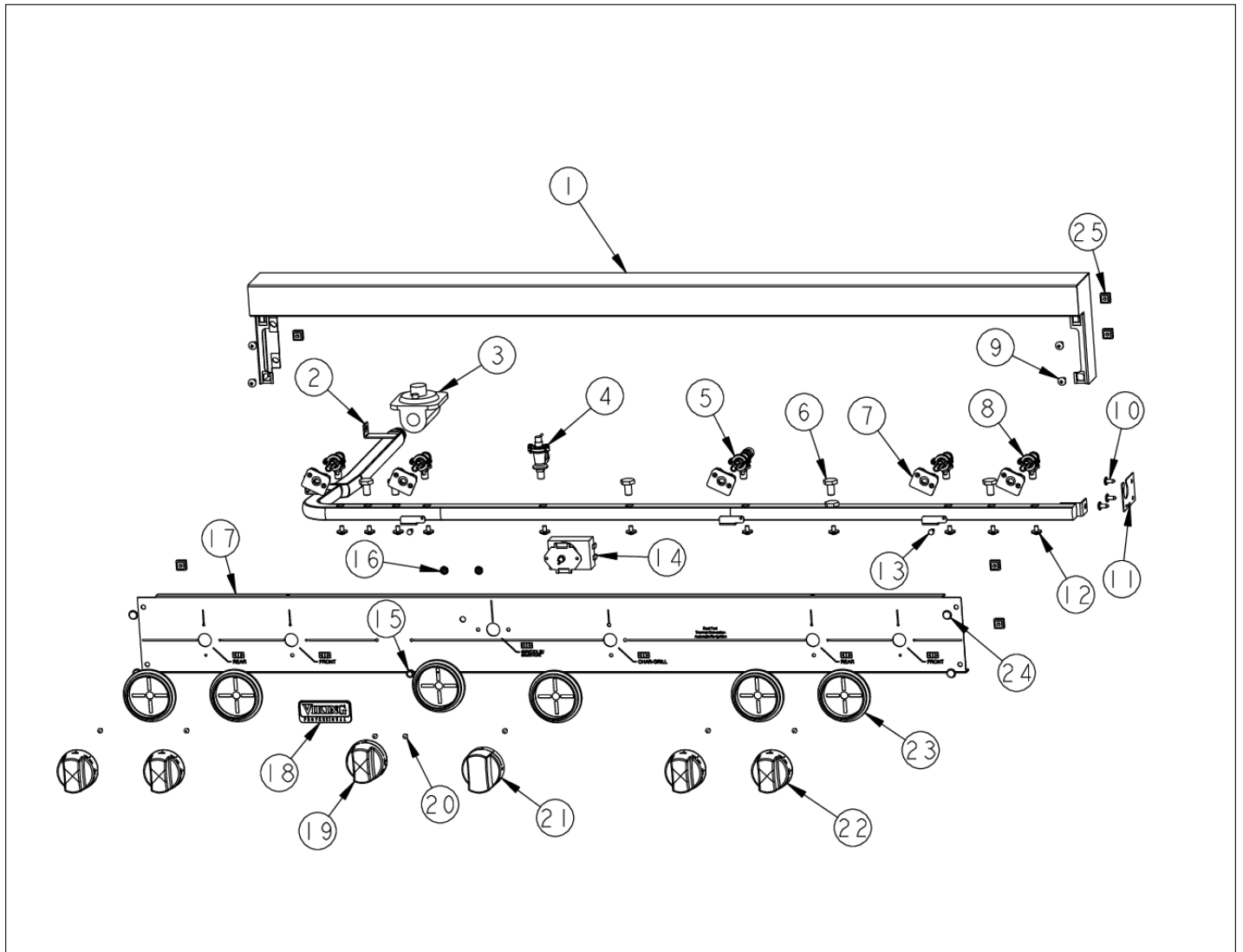
Item	Part No.	Name	Qty	Uom	NOTES
1	PA080075	Burner Body	1	EA	
2	G4007440	SUPPLY CORD ASSY	1	EA	
3	A2006747	Burner Box Side - RH	1	EA	
4	B2007856	Side Panel - RH	1	EA	
5	PD020002	10 X 1/2 PH.TR.HD.SMS.	1	EA	
6	A20012186	SPARK MODULE BKT (0+6)	1	EA	NO LONGER AVAILABLE
7	PA020048	Spark Module (6B /6G/ 4Q)	1	EA	
8	A1008487	SERVICE DISCONNECT BRACKET	1	EA	
9	PE070071	Disconnect Block - Female	1	EA	
10	PE070070	Disconnect Block - Male	1	EA	
11	PD020004	10X3/8PH.HD.TYPE 25 REPL PD040125	1	EA	
12	A2006748	Burner Box Side - LH	1	EA	
13	PB070034	INSULATION-TRS-10 1" X 20" X 77' ROLL	1	EA	
14	B2007857	Side Panel - LH	1	EA	
15	A20012659	BURNER BOX HEAT SHIELD	1	EA	
16	PA050086	5/8" MALE FLARE FITTING	1	EA	Not available online / Call for pricing and availability
17	PB020192	10" FLEX TUBING W/CONNECTORS	1	EA	
18	PB020193	16" FLEX TUBING W/CONNECTORS	1	EA	
19	PB040194	Orifice - Nat.	1	EA	
19	PB040217	L.P. ORIFICE	1	EA	
20	PD020076	6-32 X 3/8" PHILL PAN MS	1	EA	
21	A20011240	48" SEALED BURNER SUPT. (4GQ)	1	EA	

CONTROL AREA





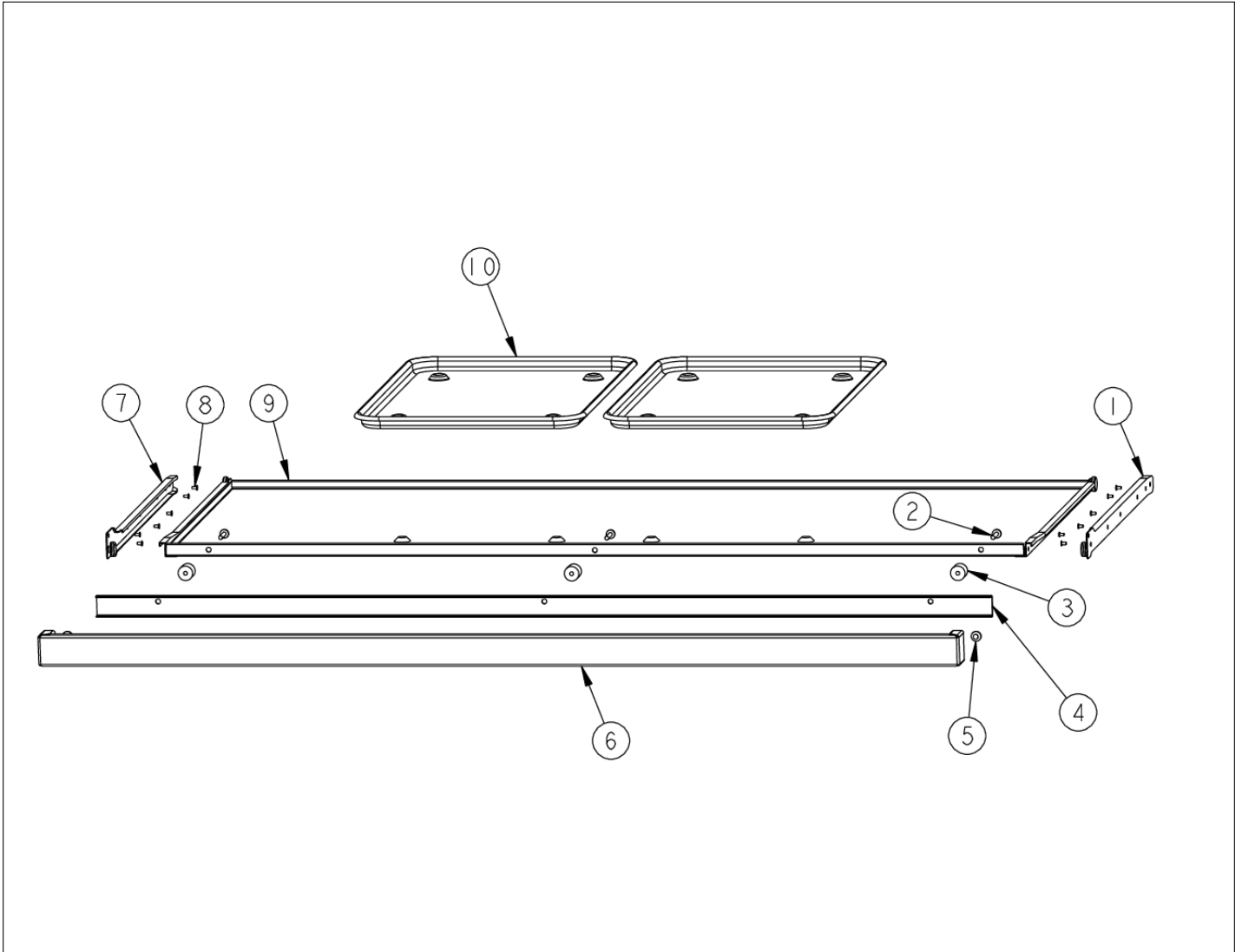
Item	Part No.	Name	Qty	Uom	NOTES
1	G3009843	SEALED LANDING LEDGE ASSY 48"	1	EA	
2	002569-000	UNIVERSAL 48" MANIFOLD	1	EA	
3	PA070003	PRESSURE REGULATOR	1	EA	
4	007147-000	SHUTOFF VALVE ASSY	1	EA	
5	003536-000	PA010159 VALVE AND BOLT KIT	1	EA	
6	PA010012	ROPER PLUG	1	EA	
7	PA020045	Spark Ignition Switch	1	EA	
8	003517-000	PA010158 VALVE AND BOLT KIT	1	EA	
9	PD010003	10-24 X 1/2 PH.TR.HD.SERD.M.S.	1	EA	
10	PD020002	10 X 1/2 PH.TR.HD.SMS.	1	EA	
11	A1001138	MANIFOLD BRKT	1	EA	NO LONGER AVAILABLE, Not available online / Call for pricing and availability
12	PD010012	1/4 x 3/8 VALVE BOLT	1	EA	
13	PD020067	' #6 X 3/8" PAN PHIL. TEK *SS*	1	EA	
14	PB010264	GRIDDLE THERMOSTAT	1	EA	
15	PE050023	OVEN IND. LIGHT (LENS & BEZEL)	1	EA	
16	PD030006	CAPPED WASHER PAL NUT	1	EA	
17	B9202379	CTRL PAN- (VGRT480-4GQ)*SLK SCR*	1	EA	
17	C9202379BK	CTRL PAN- *BK* (VGRT480-4GQ)*SLK	1	EA	NO LONGER AVAILABLE
17	C9202379WH	CTRL PAN- *WH* (VGRT480-4GQ)*SLK S	1	EA	NO LONGER AVAILABLE, Not available online / Call for pricing and availability
18	PE010142	3" VIKING LOGO BLACK/CHROME	1	EA	
18	PE010143	3" LOGO BK/BR	1	EA	
18	PE010144	3" LOGO *WH*CHROME	1	EA	NO LONGER AVAILABLE
18	PE010145	LOGO - WH / BR	1	EA	
19	PB010103	GRIDDLE KNOB N/S *BK*	1	EA	





Item	Part No.	Name	Qty	Uom	NOTES
19	PB010104	GRIDDLE KNOB N/S *WH*	1	EA	
20	PD020006	' #6-32 X 1/4" PH.PAN HD. T(F)	1	EA	
21	PA010122	VGRC/IC/RT GRILL KNOB (BK)	1	EA	
21	PA010123	VGRC/IC/RT GRILL KNOB (WH)	1	EA	
22	PB010206	TOP BURNER KNOB BK	1	EA	
22	PB010207	TOP BURNER KNOB WH	1	EA	Not available online / Call for pricing and availability
23	050172-000	BEZEL, KNOB	1	EA	
23	PB010209	Bezel - BR	1	EA	
24	PD020033	SRW-#10-24X1/2"T(23)PH.WFR HD (NKL)	1	EA	
25	PD030005	SELF RETAINING NUT	1	EA	

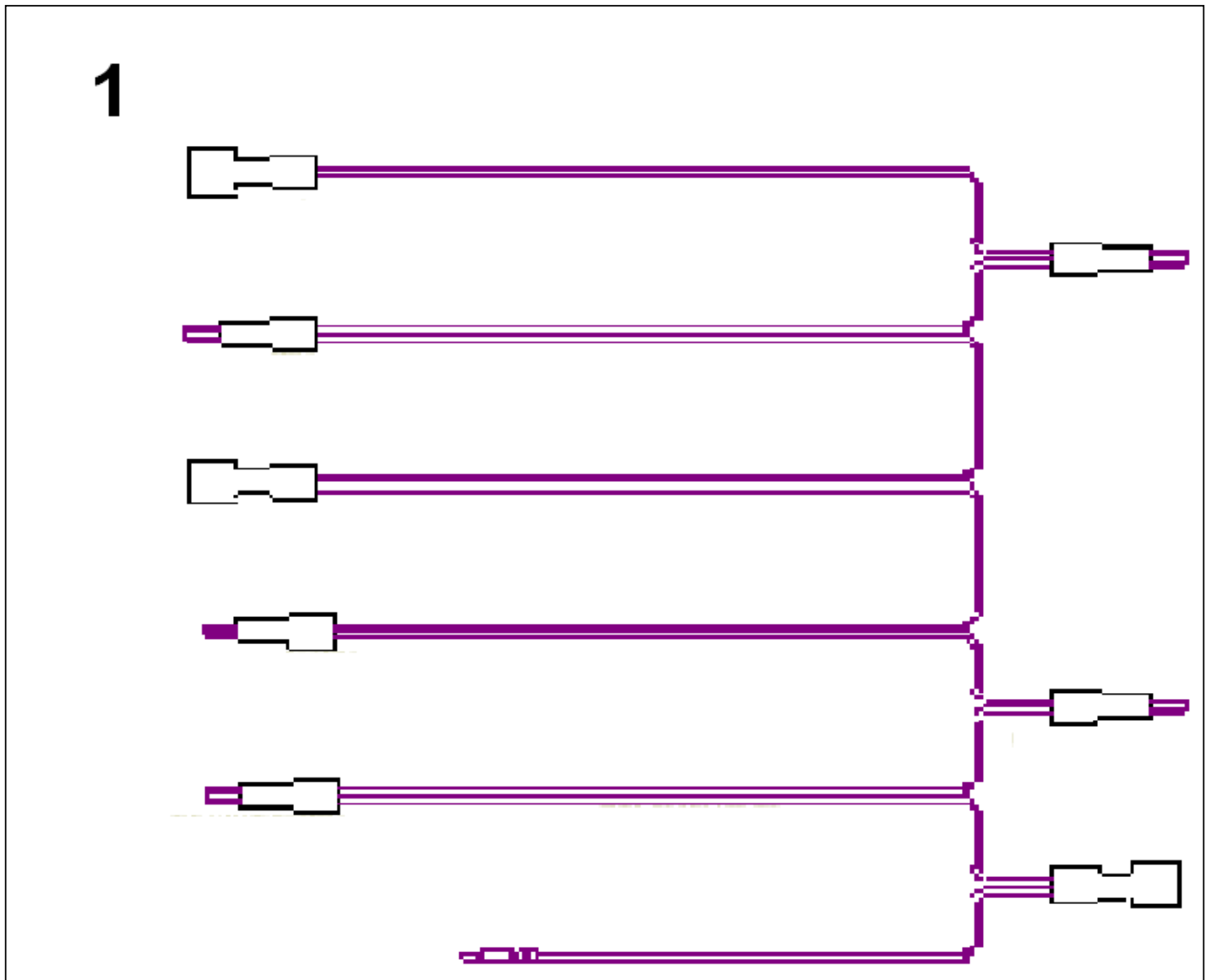
DRIP TRAY





Item	Part No.	Name	Qty	Uom	NOTES
1	PK000008	Drip Tray Guide - RH	1	EA	NO LONGER AVAILABLE
2	PD020049	#10 X 1 1/4 PH. PAN HD. T(A)	1	EA	
3	PD040028	BUSHING(.194ID/.750OD/.750L ONG)	1	EA	
4	A20010693	DRIP TRAY HANDLE BACK 48	1	EA	
5	PD040004	GROMMET BUMPER	1	EA	
6	G30010697	DRIP TRAY HANDLE ASSY 48"	1	EA	
6	G93011461PVD	DRIP TRAY HANDLE ASSY 48" PVD - NLA	1	EA	
7	PK000007	DRIP TRAY GUIDE - LH (VGRT)	1	EA	NO LONGER AVAILABLE
8	PC040010	POP RIVET (.063/GR -.125) GAMD42-A	1	EA	
9	G30013336	48" DRIP TRAY ASSY. 6Q &4GQ - NLA	1	EA	
10	J2101749	GREASE PAN	1	EA	

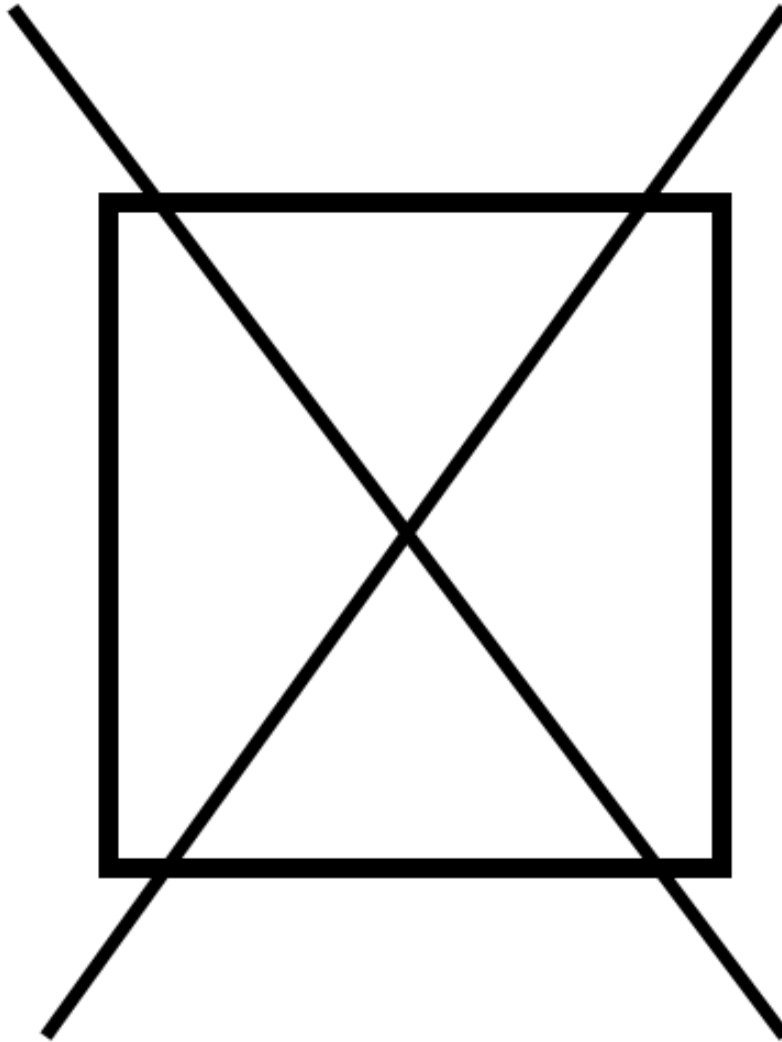
G4001701 WIRE HARNESS - LINE





Item	Part No.	Name	Qty	Uom	NOTES
1	G4001701	WIRING HARNESS (LINE) (VGRT48)	1	EA	NO LONGER AVAILABLE, Not available online / Call for pricing and availability

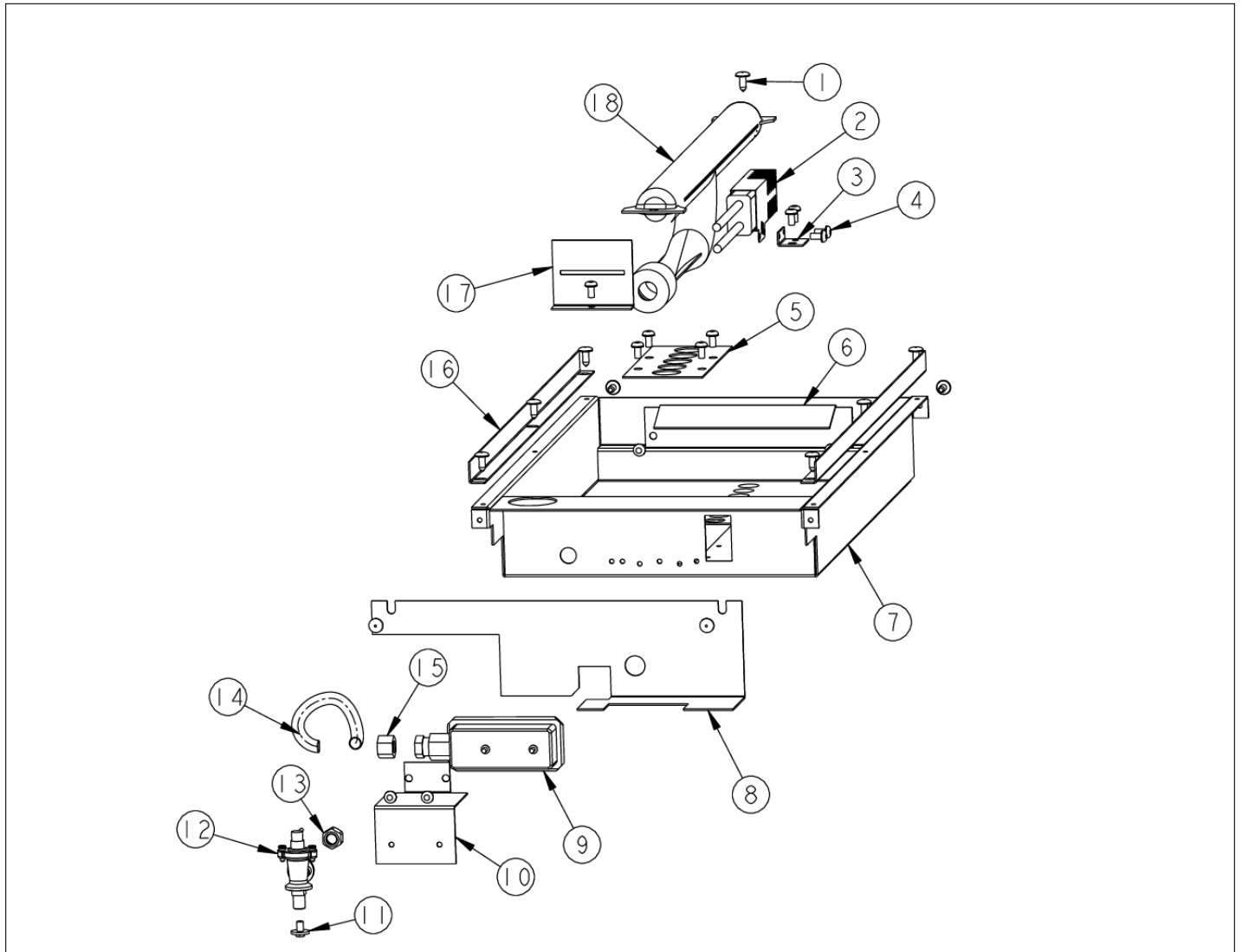
NON
ILLUSTRATED PART





Item	Part No.	Name	Qty	Uom	NOTES
1	G4001704	WIRING HARNESS (NEU) (VGRT48)	1	EA	NO LONGER AVAILABLE

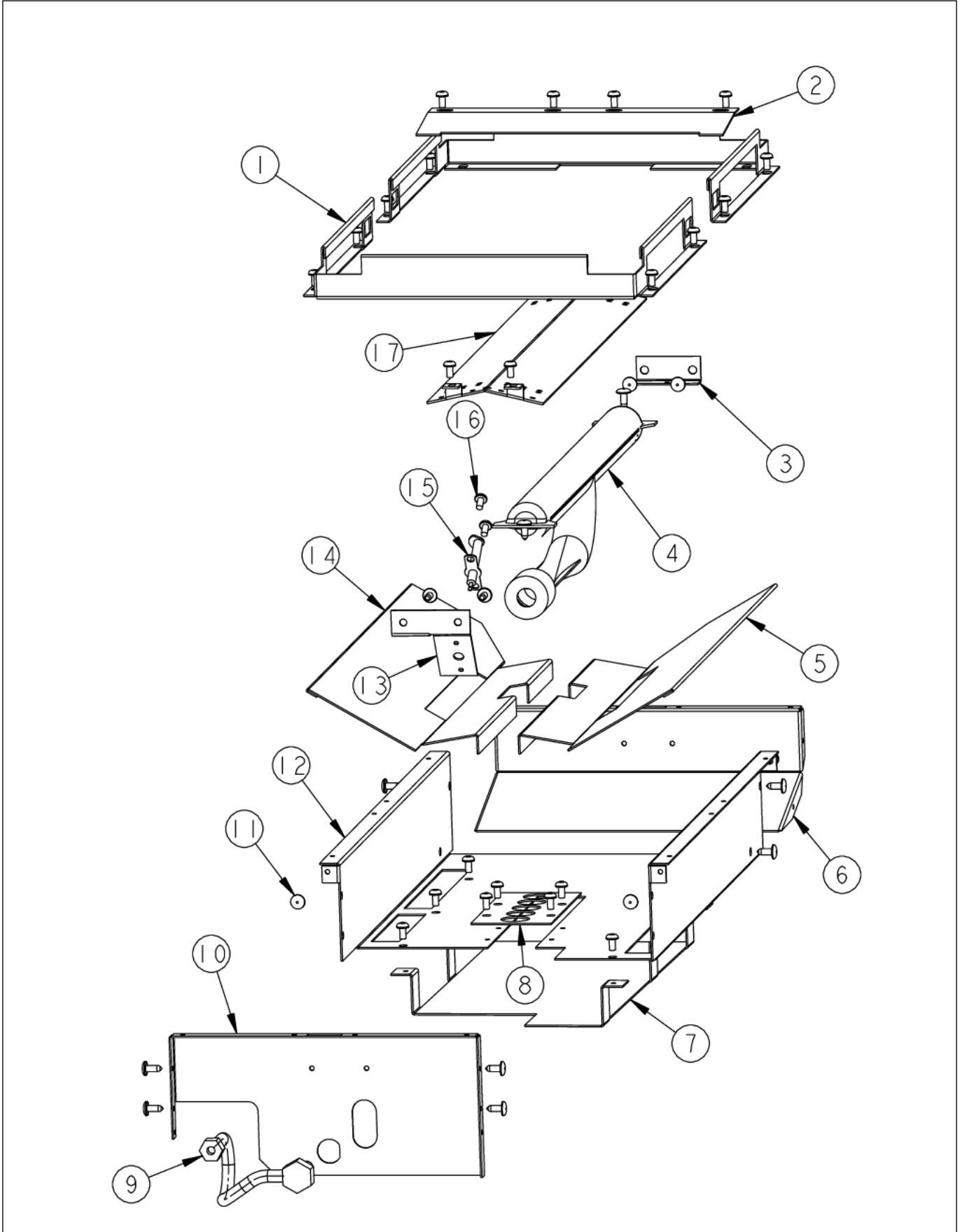
GRIDDLE SUBASSEMBLY





Item	Part No.	Name	Qty	Uom	NOTES
1	PD020002	10 X 1/2 PH.TR.HD.SMS.	1	EA	
2	PB040001	Igniter	1	EA	
3	A2001300	Griddle Igniter Bracket	1	EA	
4	PD020004	10X3/8PH.HD.TYPE 25 REPL PD040125	1	EA	
5	A1007861	Griddle Venturi Cover	1	EA	Not available online / Call for pricing and availability
6	A20012667	HEAT DIVERTER	1	EA	NO LONGER AVAILABLE, Not available online / Call for pricing and availability
7	A2007862	Sealed Griddle Box	1	EA	
8	A20010470	Component Shield	1	EA	
9	PB010004	SINGLE SAFETY VALVE (NAT. GRIDDLE)	1	EA	
10	A2007867	Griddle Valve Bracket	1	EA	Not available online / Call for pricing and availability
11	PD010012	1/4 x 3/8 VALVE BOLT	1	EA	
12	007147-000	SHUTOFF VALVE ASSY	1	EA	
13	PB040228	FITTING BRASS COMPRESSION NUT	1	EA	
14	PB020116	TUBING - 10" FLEXIBLE 12 & 24"	1	EA	
15	PB040192	3/8" CC FERREL (DGCU)	1	EA	
16	A20010657	GRIDDLE BOX FLANGE	1	EA	
17	A2009580	Griddle Burner Bracket	1	EA	
18	PB050074	Griddle Burner	1	EA	

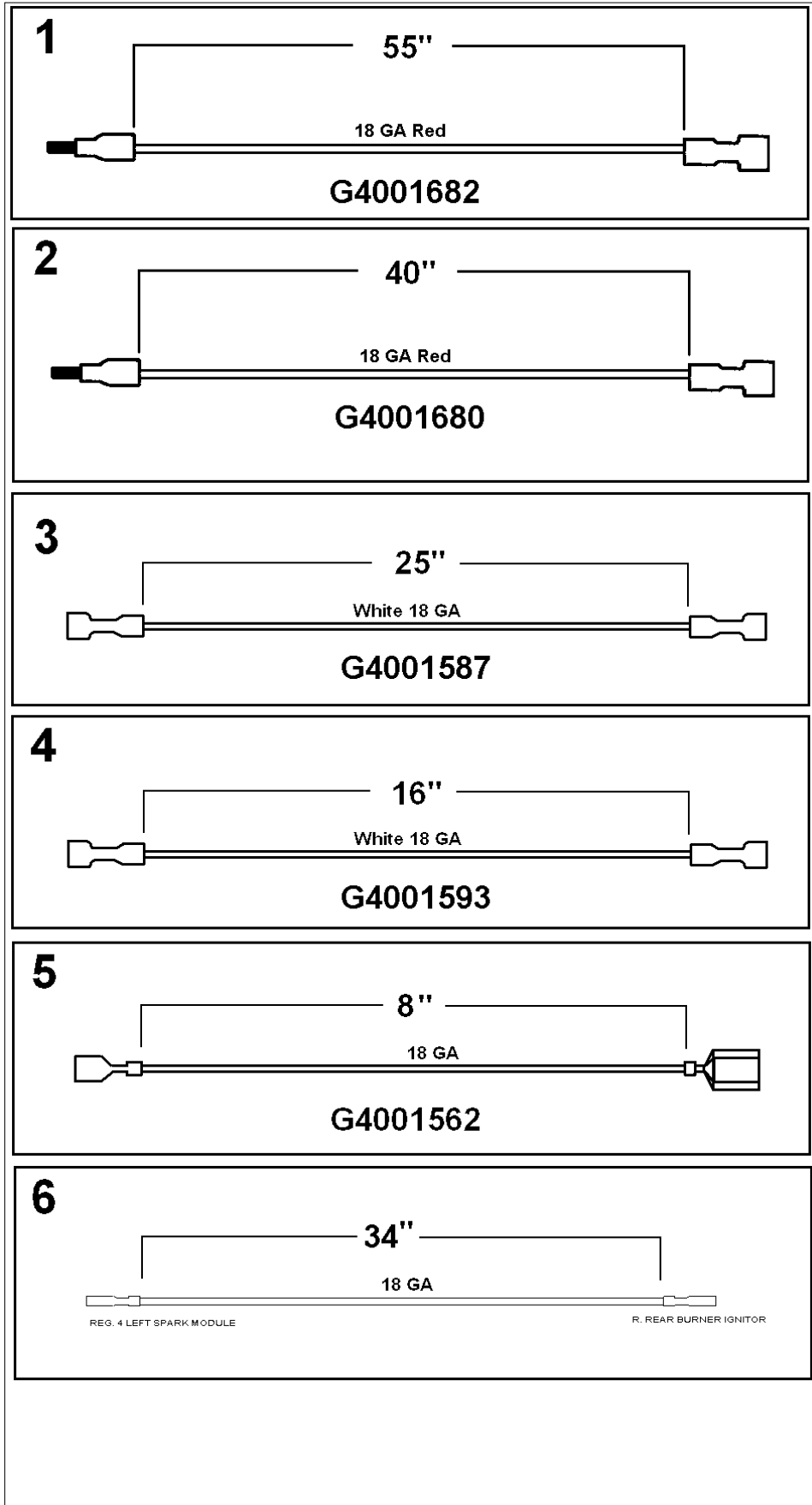
GRILL SUBASSEMBLY





Item	Part No.	Name	Qty	Uom	NOTES
1	A2007871	SHIELD GRATE BRACKET	1	EA	NO LONGER AVAILABLE
2	A20010162	SHIELD BRACE	1	EA	
3	A2001132	REAR GRILL BURNER BRKT (VGRT)	1	EA	
4	PB050077	GRILL BURNER	1	EA	
5	B20010163	HEAT DEFLECTOR	1	EA	
6	A2001855	GRILL BACK - (VGRC605)	1	EA	
7	A2001863	GRILL BTM SHIELD (VGRC605)	1	EA	
8	A1007861	Griddle Venturi Cover	1	EA	Not available online / Call for pricing and availability
9	PB020025	TUBING-GRILL (REVISED) REP PB020021	1	EA	
10	A2001631	GRILL BOX FRONT (VGRC)	1	EA	
11	PD020002	10 X 1/2 PH.TR.HD.SMS.	1	EA	
12	A2007863	GRILL BOX	1	EA	NO LONGER AVAILABLE, Not available online / Call for pricing and availability
13	A2001633	GRILL FRONT SPARKER BRKT (VGRC)	1	EA	
14	B2009846	HEAT DEFLECTOR	1	EA	
15	PA020028	SPARK IGNITER	1	EA	
16	PD020004	10X3/8PH.HD.TYPE 25 REPL PD040125	1	EA	
17	G30012657	FLAME SHIELD ASSEMBLY	1	EA	

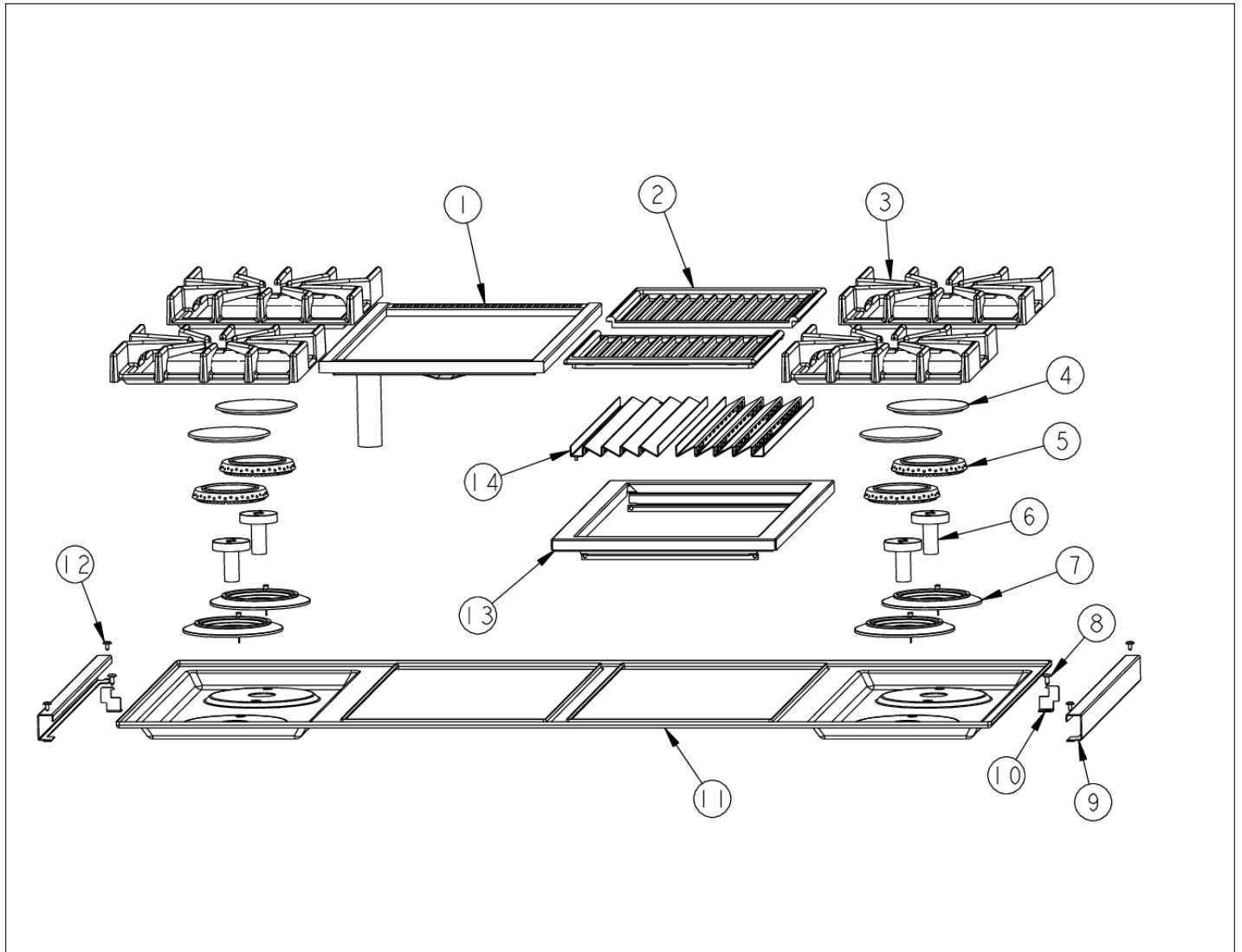
SINGLE WIRING





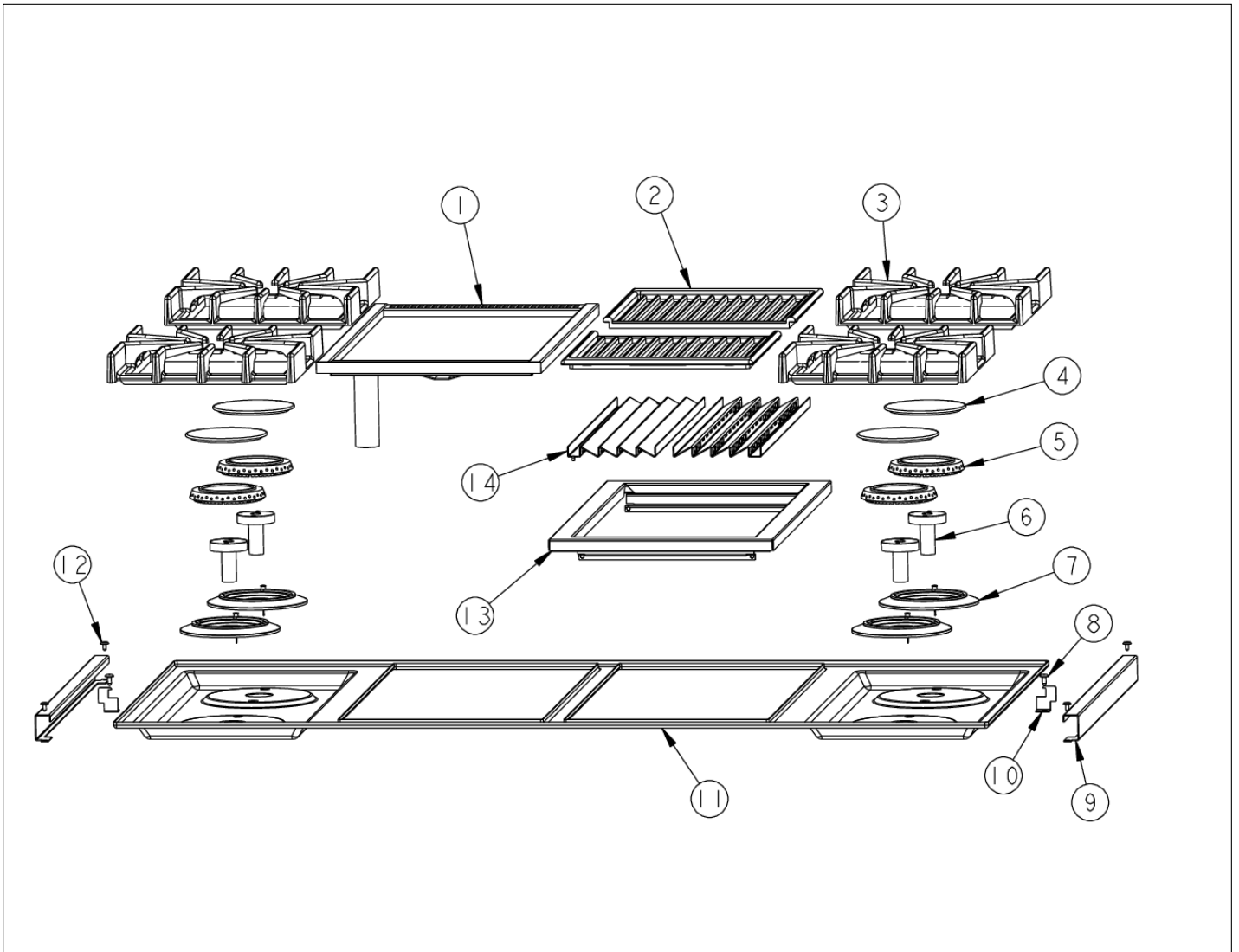
Item	Part No.	Name	Qty	Uom	NOTES
1	G4001682	WIRE ASSY *AL* 55"	1	EA	
2	G4001680	WIRE, SPRK MDLE-TOP BRNR VLVE SWITCH (40)	1	EA	
3	G4001587	SPARK MODULE-TOP BRNR SPARKER (25)	1	EA	
4	PE070719	IGNITOR WIRE KIT - VDSC3674Q	1	EA	
5	G4001562	DUAL SAFETY VALVE - JUMPER (10")	1	EA	
6	G4005484	SPARK IGNITOR WIRE - 34"	1	EA	

SURFACE COOKING AREA



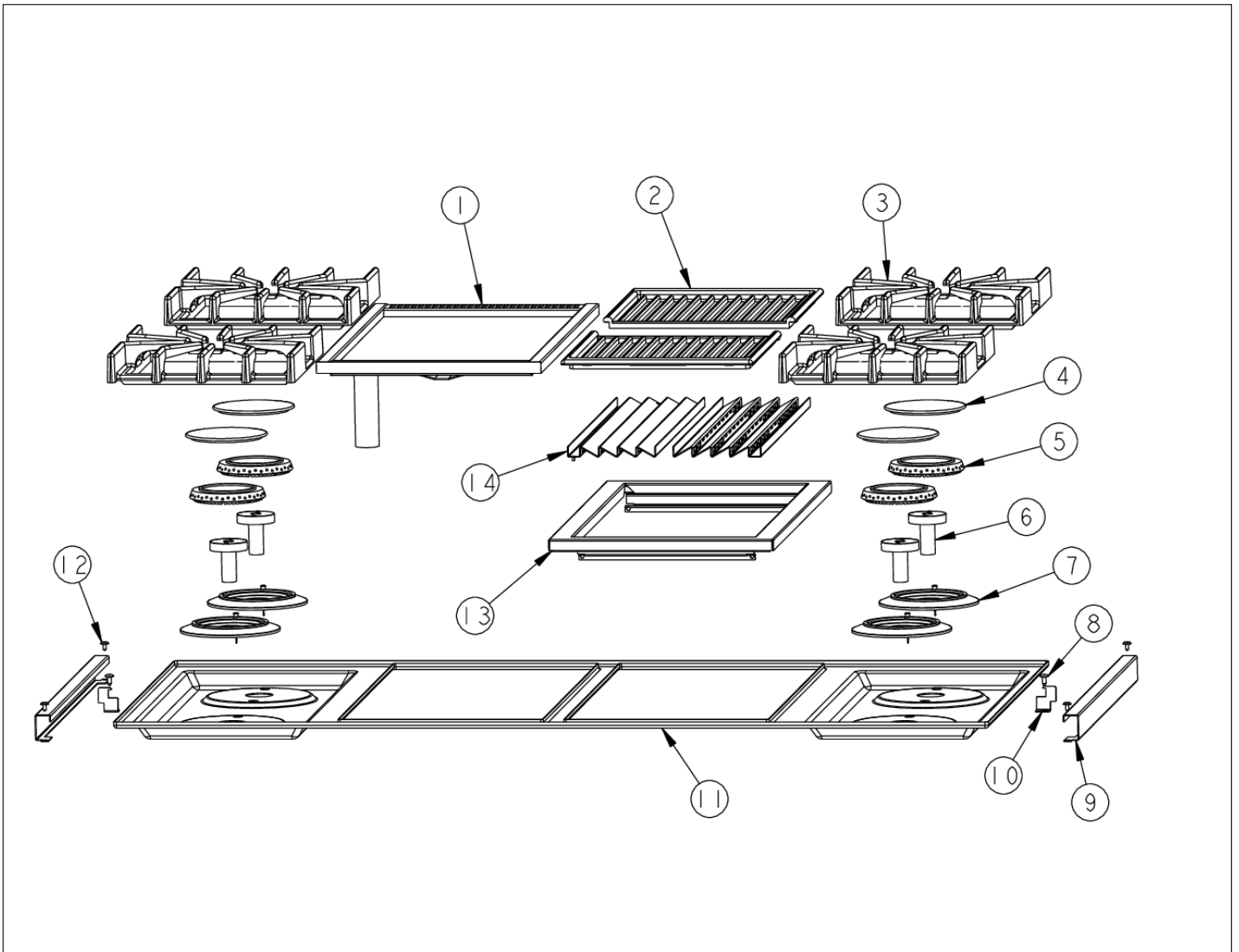


Item	Part No.	Name	Qty	Uom	NOTES
1	003208-000	12" SEALED GRIDDLE FRAME ASSY	1	EA	
2	PA060058	GRILL GRATE - MATT *BK* RE PA060028	1	EA	
Not Shown	PA060059	GRILL GRATE -MATT *GR* RE PA060029	1	EA	
3	PA060054	Burner Grate - BK	1	EA	
Not Shown	PA060062	Burner Grate - GR	1	EA	
4	PA080083	D BURNER CAP *MATTE BLACK*	1	EA	
Not Shown	PA080086	Burner Cap - GR	1	EA	
5	PB050063	Burner Head	1	EA	
6	PA010100	Burner Venturi	1	EA	
7	PB050081	BURNER BASE ASM	1	EA	
Not Shown	NOTE	(Includes Igniter)		EA	
8	PD020002	10 X 1/2 PH.TR.HD.SMS.	1	EA	
9	B2007851	Side Trim - SS	1	EA	
9	C9307851BR	Side Trim - BR	1	EA	Not available online / Call for pricing and availability
10	A2007858	SIDE TRIM BRKT	1	EA	
11	E9109803AL	MAIN TOP - 4GQ - AL	1	EA	Not available online / Call for pricing and availability
11	E9109803BK	48" SEALED COOKTOP 4BGQ *BK*	1	EA	
11	E9109803BT	MAIN TOP - 4GQ - BT	1	EA	Not available online / Call for pricing and availability
11	E9109803CB	MAIN TOP - 4GQ - CB	1	EA	Not available online / Call for pricing and availability
11	E9109803EP	MAIN TOP - 4GQ - EP	1	EA	Not available online / Call for pricing and availability





Item	Part No.	Name	Qty	Uom	NOTES
11	E9109803FG	MAIN TOP - 4GQ - FG	1	EA	Not available online / Call for pricing and availability
11	E9109803GG	MAIN TOP - 4GQ - GG	1	EA	Not available online / Call for pricing and availability
11	E9109803LE	MAIN TOP - 4GQ - LE	1	EA	Not available online / Call for pricing and availability
11	E9109803MJ	MAIN TOP - 4GQ - MJ	1	EA	Not available online / Call for pricing and availability
11	E9109803SG	MAIN TOP - 4GQ - SG	1	EA	Not available online / Call for pricing and availability
11	E9109803VB	MAIN TOP - 4GQ - VB	1	EA	Not available online / Call for pricing and availability
11	E9109803WH	48" SEALED COOKTOP 4BGQ *WH*	1	EA	NO LONGER AVAILABLE
12	PD020032	SRW-8(A)X3/8"PH.WFR HD 7/16DIA*NICL	1	EA	
13	G9109811AL	GRILL SUPPORT ASSEMBLY - AL	1	EA	Not available online / Call for pricing and availability
13	G9109811	GRILL SUPT ASSY *BK*	1	EA	
13	G9109811BT	GRILL SUPPORT ASSEMBLY - BT	1	EA	Not available online / Call for pricing and availability
13	G9109811CB	GRILL SUPPORT ASSEMBLY - CB	1	EA	Not available online / Call for pricing and availability
13	G9109811EP	GRILL SUPPORT ASSEMBLY - EP	1	EA	Not available online / Call for pricing and availability
13	G9109811FG	GRILL SUPPORT ASSEMBLY - FG	1	EA	Not available online / Call for pricing and availability





Item	Part No.	Name	Qty	Uom	NOTES
13	G9109811GG	GRILL SUPPORT ASSEMBLY - GG	1	EA	Not available online / Call for pricing and availability
13	G9109811LE	GRILL SUPPORT ASSEMBLY - LE	1	EA	Not available online / Call for pricing and availability
13	G9109811MJ	GRILL SUPPORT ASSEMBLY - MJ	1	EA	Not available online / Call for pricing and availability
13	G9109811SG	GRILL SUPPORT ASSEMBLY - SG	1	EA	Not available online / Call for pricing and availability
13	G9109811VB	GRILL SUPPORT ASSEMBLY - VB	1	EA	Not available online / Call for pricing and availability
13	G9109811WH	GRILL SUPT ASSY *WH*	1	EA	NO LONGER AVAILABLE, Not available online / Call for pricing and availability
14	E9101130BK	GRILL SMOKE GENERATOR	1	EA	



Appendix A:Pages Index

BURNER BOX INTERIOR AREA 1
CONTROL AREA 2
DRIP TRAY 3
G4001701 WIRE HARNESS - LINE 4
G4001704 WIRE HARNESS (NEUTRAL) 5
GRIDDLE SUBASSEMBLY 6
GRILL SUBASSEMBLY 7
SINGLE WIRING 8
SURFACE COOKING AREA 9



Appendix B:Parts Index

002569-000	2	E9101130BK	9
003208-000	9	E9109803AL	9
003517-000	2	E9109803BK	9
003536-000	2	E9109803BT	9
007147-000	2, 6	E9109803CB	9
050172-000	2	E9109803EP	9
A1001138	2	E9109803FG	9
A1007861	6, 7	E9109803GG	9
A1008487	1	E9109803LE	9
A20010162	7	E9109803MJ	9
A20010470	6	E9109803SG	9
A20010657	6	E9109803VB	9
A20010693	3	E9109803WH	9
A20011240	1	G30010697	3
A2001132	7	G30012657	7
A20012186	1	G30013336	3
A20012659	1	G3009843	2
A20012667	6	G4001562	8
A2001300	6	G4001587	8
A2001631	7	G4001680	8
A2001633	7	G4001682	8
A2001855	7	G4001701	4
A2001863	7	G4001704	5
A2006747	1	G4005484	8
A2006748	1	G4007440	1
A2007858	9	G9109811	9
A2007862	6	G9109811AL	9
A2007863	7	G9109811BT	9
A2007867	6	G9109811CB	9
A2007871	7	G9109811EP	9
A2009580	6	G9109811FG	9
B20010163	7	G9109811GG	9
B2007851	9	G9109811LE	9
B2007856	1	G9109811MJ	9
B2007857	1	G9109811SG	9
B2009846	7	G9109811VB	9
B9202379	2	G9109811WH	9
C9202379BK	2	G93011461PVD	3
C9202379WH	2	J2101749	3
C9307851BR	9	PA010012	2
		PA010100	9



PA010122	2	PD020032	9
PA010123	2	PD020033	2
PA020028	7	PD020049	3
PA020045	2	PD020067	2
PA020048	1	PD020076	1
PA050086	1	PD030005	2
PA060054	9	PD030006	2
PA060058	9	PD040004	3
PA060059	9	PD040028	3
PA060062	9	PE010142	2
PA070003	2	PE010143	2
PA080075	1	PE010144	2
PA080083	9	PE010145	2
PA080086	9	PE050023	2
PB010004	6	PE070070	1
PB010103	2	PE070071	1
PB010104	2	PE070719	8
PB010206	2	PK000007	3
PB010207	2	PK000008	3
PB010209	2		
PB010264	2		
PB020025	7		
PB020116	6		
PB020192	1		
PB020193	1		
PB040001	6		
PB040192	6		
PB040194	1		
PB040217	1		
PB040228	6		
PB050063	9		
PB050074	6		
PB050077	7		
PB050081	9		
PB070034	1		
PC040010	3		
PD010003	2		
PD010012	2, 6		
PD020002	1, 2, 6, 7, 9		
PD020004	1, 6, 7		
PD020006	2		