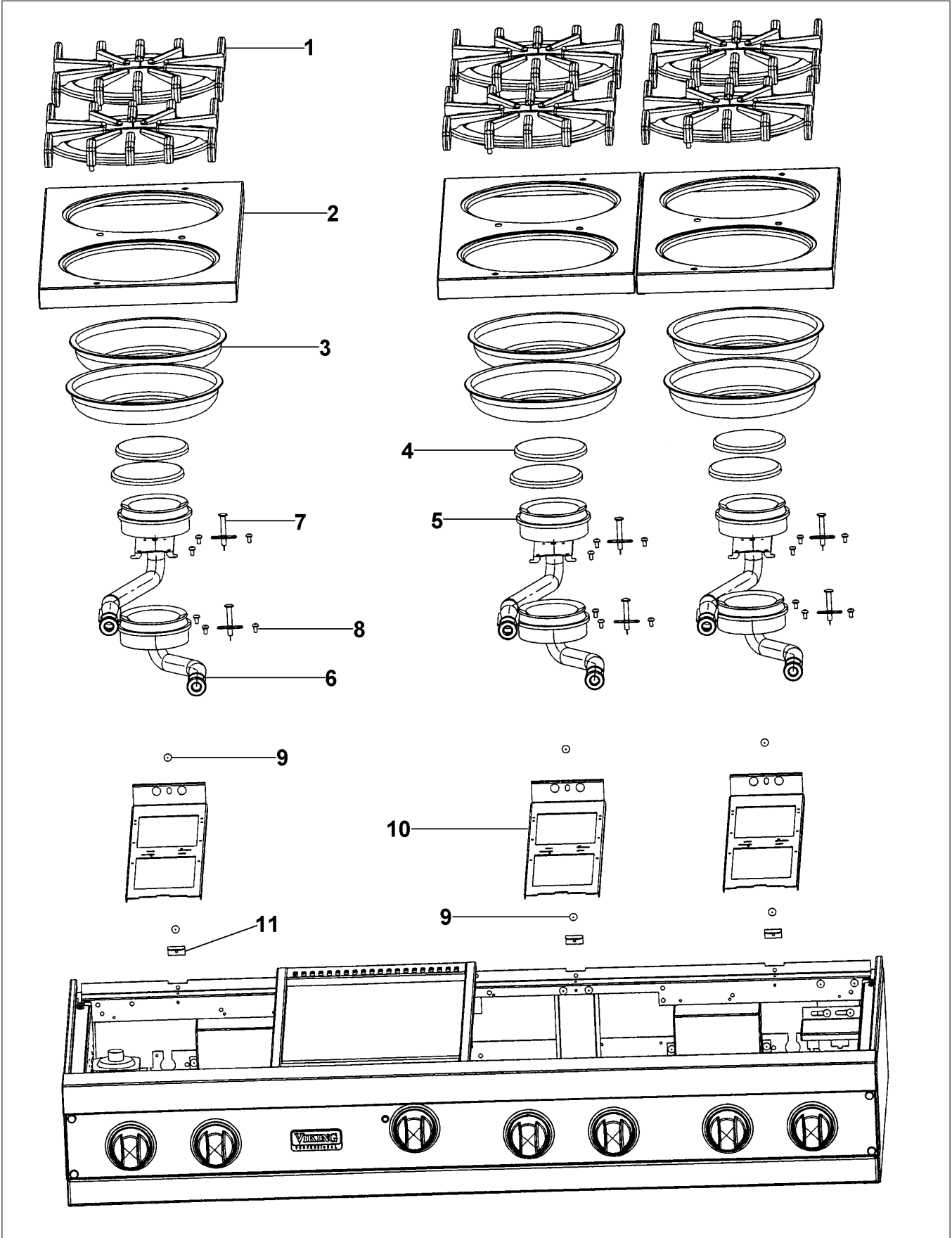


VGRT480-6G

BURNER - GRATE ASSEMBLY	1
BURNER BOX EXTERIOR ASSEMBLY	2
CONTROL - GAS ASSEMBLY	3
DRIP TRAY ASSEMBLY	4
GRIDDLE ASSEMBLY	5
HARNESSES	6
REAR ASSEMBLY	7
SINGLE WIRING	8
SUPPLY CORD ASSEMBLY	9
Appendix A:Pages Index	A
Appendix B:Parts Index	B

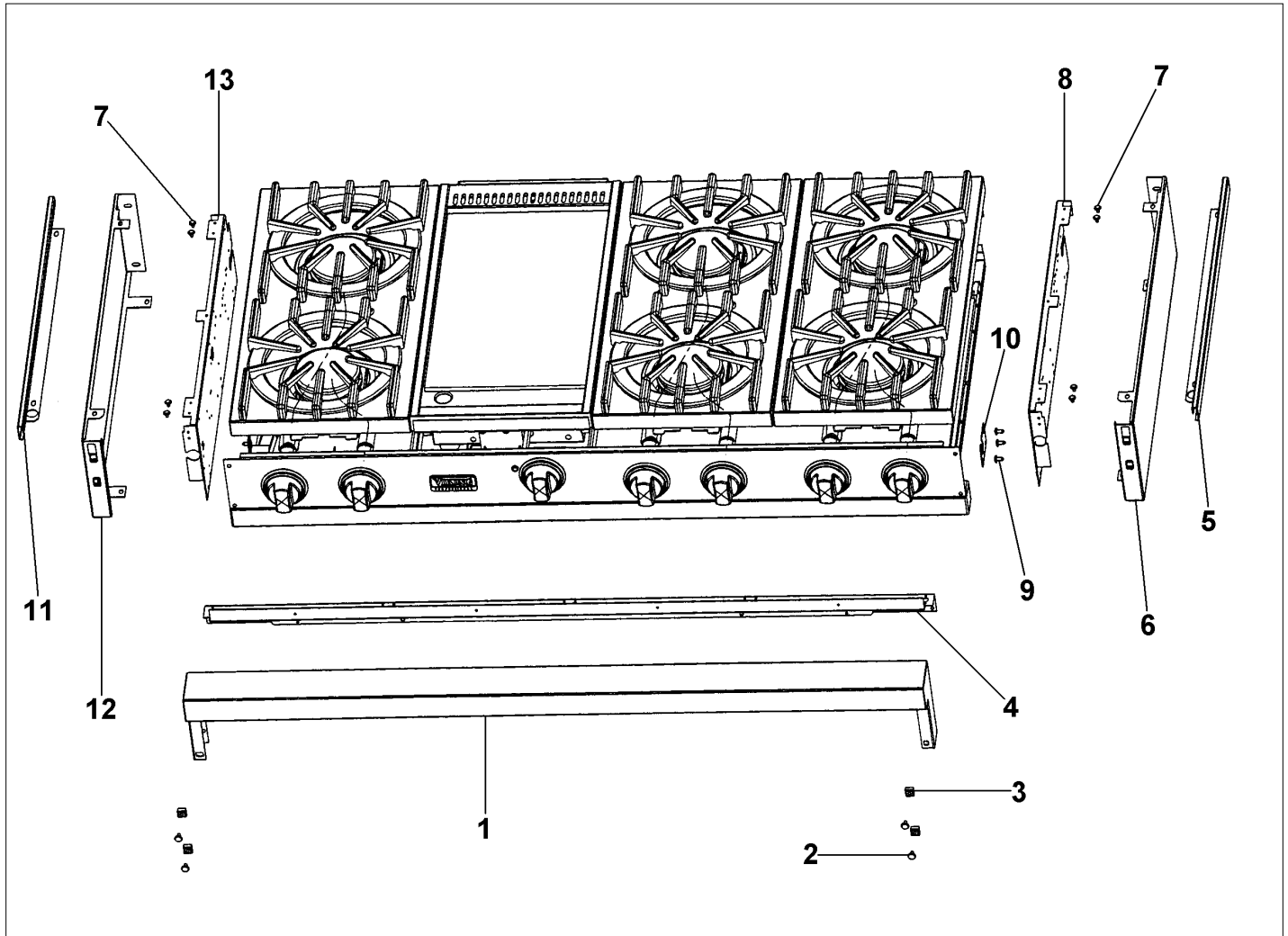
BURNER - GRATE ASSEMBLY





Item	Part No.	Name	Qty	Uom	NOTES
1	PA060037	GRATE BK REPL PA060024 (GEN.#2)	1	EA	
Not Shown	PA060038	GRAY GRATES	1	EA	
2	G50013584	GRATE SUPPORT ASSEMBLY	1	EA	Not available online / Call for pricing and availability
3	PA030002	BURNER BOWL (VGBQ) *SS*	1	EA	
4	PA080015	BURNER CAP-VGRT *BK*	1	EA	
Not Shown	PA080016	BURNER CAP-VGRT (GRAY-MATT)	1	EA	
5	PA080036	TOP BURNER REAR REPL PA080008	1	EA	
6	PA080037	TOP BURNER FRONT REPL PA080007	1	EA	
7	PA020028	SPARK IGNITER	1	EA	
8	PD020004	10X3/8PH.HD.TYPE 25 REPL PD040125	1	EA	
9	PD020002	10 X 1/2 PH.TR.HD.SMS.	1	EA	
10	A2001112	BURNER SUPT (VGRT)	1	EA	
11	A2001147	GRATE SUPT ANGLE (VGRT)	1	EA	

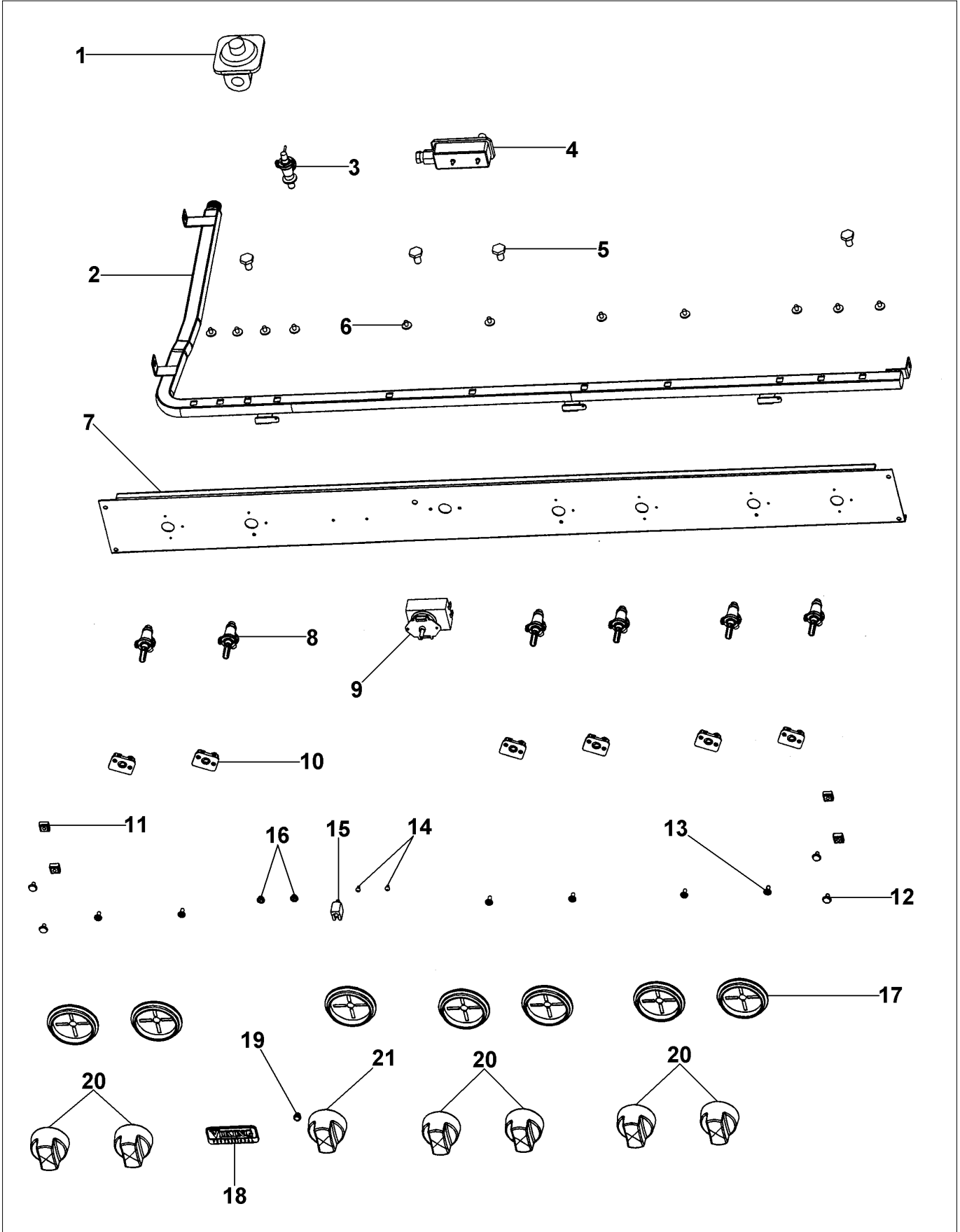
BURNER BOX EXTERIOR ASSEMBLY



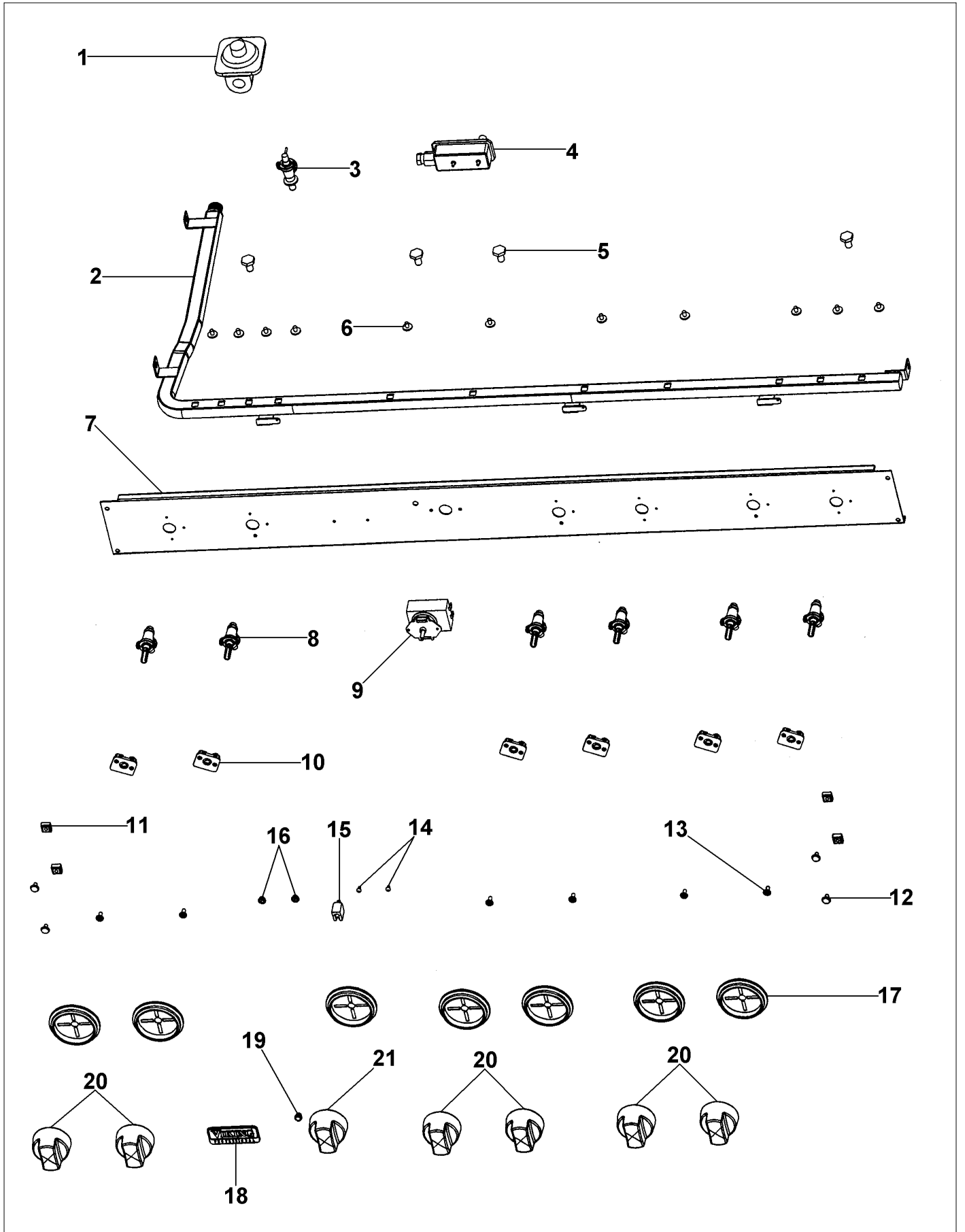


Item	Part No.	Name	Qty	Uom	NOTES
1	G3001584	LANDING LGD 48"	1	EA	
2	PD020033	SRW-#10-24X1/2"T(23)PH.WFR HD (NKL)	1	EA	
3	PD030005	SELF RETAINING NUT	1	EA	
4	A2001104	FRONT SUPT (48")	1	EA	NO LONGER AVAILABLE
5	B2001915	SIDE TRIM-RH (VGRT)	1	EA	
Not Shown	C9301815BR	SIDE TRIM - RH (BR)	1	EA	Not available online / Call for pricing and availability
6	B2001919	SIDE PANEL-RH (VGRT)	1	EA	
7	PD020032	SRW-8(A)X3/8"PH.WFR HD 7/16DIA*NICL	1	EA	
8	A2001911	BURNER BOX SIDE RH	1	EA	
9	PD020002	10 X 1/2 PH.TR.HD.SMS.	1	EA	
10	A1001138	MANIFOLD BRKT	1	EA	NO LONGER AVAILABLE, Not available online / Call for pricing and availability
11	B2001916	SIDE TRIM-LH (VGRT)	1	EA	
Not Shown	C9301916BR	SIDE TRIM LH (VGRT) *BR*	1	EA	
12	B2001920	SIDE PANEL-LH (VGRT)	1	EA	
13	A2001912	BURNER BOX SIDE LH	1	EA	

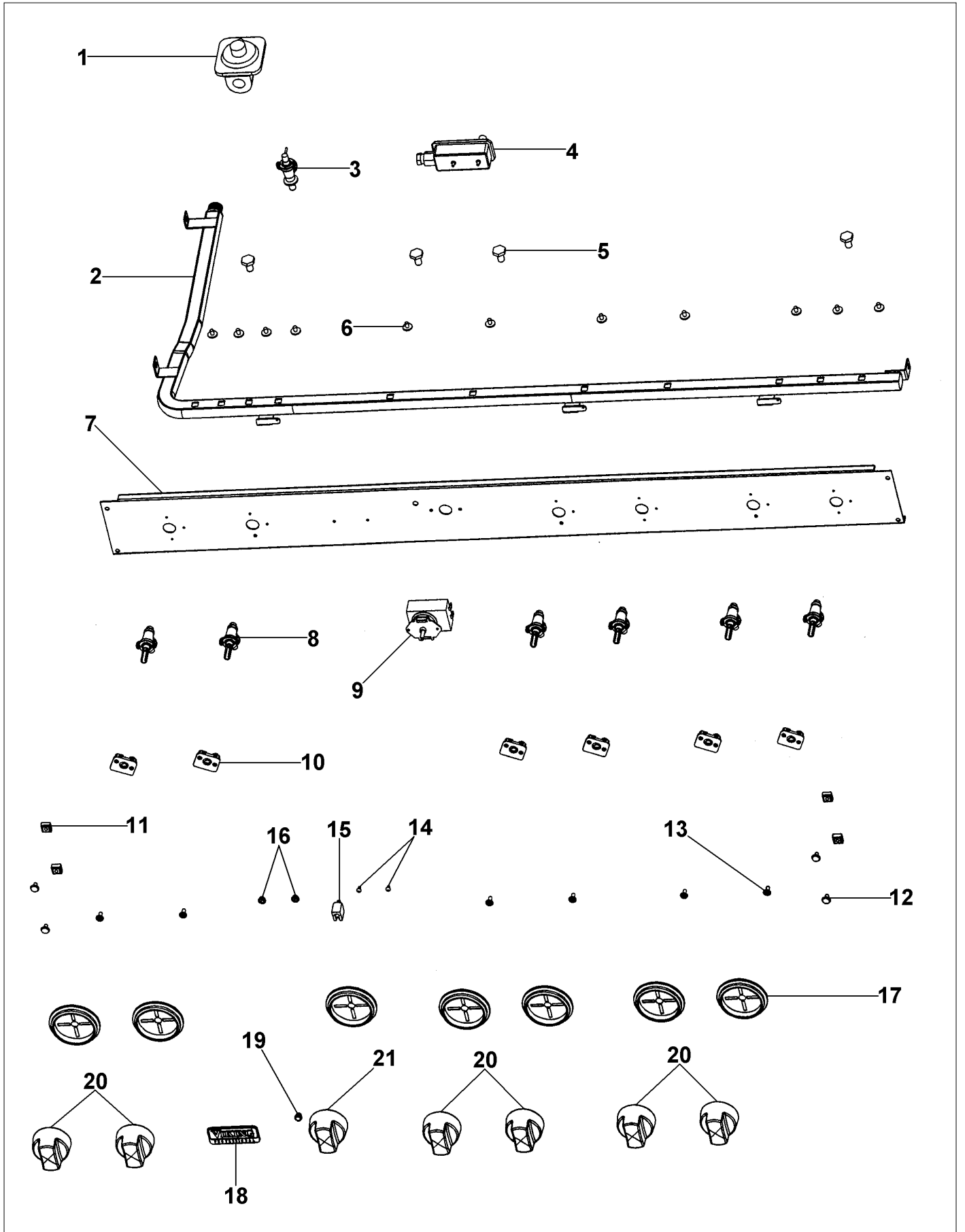
CONTROL - GAS ASSEMBLY



Item	Part No.	Name	Qty	Uom	NOTES
1	PA070003	PRESSURE REGULATOR		EA	
2	002569-000	UNIVERSAL 48" MANIFOLD		EA	
3	003862-000	SHUTOFF VALVE (PB030002 VALVE AND BOLT KIT)		EA	
Not Shown	NOTE	(Before 9/22/04)		EA	
PB030007	007147-000	SHUTOFF VALVE ASSY		EA	
Not Shown	NOTE	(After 9/22/04)		EA	
4	PB010004	SINGLE SAFETY VALVE (NAT. GRIDDLE)		EA	
NI	PB020116	TUBING - 10" FLEXIBLE 12 & 24"		EA	
5	PA010012	ROPER PLUG		EA	
6	PD010012	1/4 x 3/8 VALVE BOLT		EA	
7	B9202380	CTRL PAN- (VGRT480-6G)*SLK SCR*		EA	
Not Shown	C9202380BK	CTRL PAN- *BK* (VGRT480-6G)*SLK SC		EA	NO LONGER AVAILABLE
Not Shown	C9202380WH	CTRL PAN- *WH* (VGRT480-6G)*SLK		EA	NO LONGER AVAILABLE, Not available online / Call for pricing and availability
8	G50012681	TOP BURNER VALVE KIT (ALUMINUM VALVE REPLACEMENT)		EA	
Not Shown	NOTE	(Before 8/09/02)		EA	
Not Shown	G50012678	TOP BURNER VALVE KIT (BRASS VALVE REPLACEMENT)		EA	
Not Shown	NOTE	(Between 8/09/02 & 9/22/04)		EA	
Not Shown	003515-000	PA010157 VALVE AND BOLT KIT		EA	
Not Shown	NOTE	(After 9/22/04)		EA	
NI	PB040034	ORIFICE HOOD-#50 (NAT)		EA	
Not Shown	PB040036	ORIFICE HOOD-#57 (LP)		EA	
9	PB010264	GRIDDLE THERMOSTAT		EA	



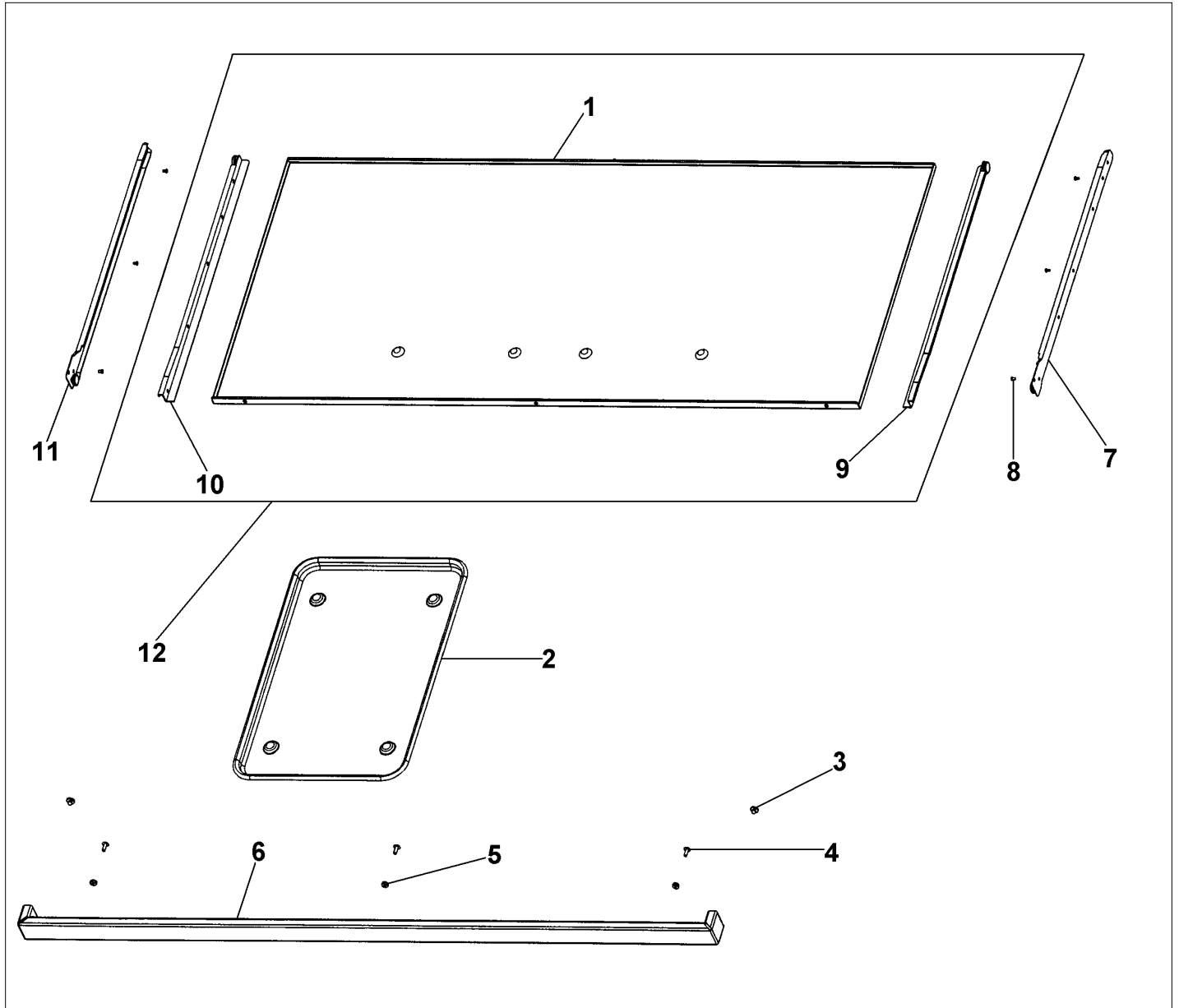
Item	Part No.	Name	Qty	Uom	NOTES
10	PA020015	Spark Ignition Switch		EA	
Not Shown	NOTE	(Before 9/22/04)		EA	
Not Shown	PA020045	Spark Ignition Switch		EA	
Not Shown	NOTE	(After 9/22/04)		EA	
11	PD030005	SELF RETAINING NUT		EA	
12	PD020033	SRW-#10-24X1/2"T(23)PH.WFR HD (NKL)		EA	
13	PD020046	' #8 X 1/2 SCREWS		EA	
14	PD020006	' #6-32 X 1/4" PH.PAN HD. T(F)		EA	
15	PE050024	OVEN IND. LIGHT (LIGHT HOUSING)		EA	
<p>Comments for Part Num. PE050024</p> <p>haarnink@vikingrange.com on Jan 14, 2019</p> <p>please not that the indicator light is now part 043135-000 but needs the Jumper harness 051443-000. and second option there are units in the field with a 230V indicator light part number 036566-000.</p> <p>please check this for all "E" module ranges/Tops</p>					
16	PD030006	CAPPED WASHER PAL NUT		EA	
17	050172-000	BEZEL, KNOB		EA	
Not Shown	PB010209	Bezel - BR		EA	
18	PE010142	3" VIKING LOGO BLACK/CHROME		EA	
Not Shown	PE010143	3" LOGO BK/BR		EA	
Not Shown	PE010144	3" LOGO *WH*CHROME		EA	NO LONGER AVAILABLE
Not Shown	PE010145	LOGO - WH / BR		EA	
19	PE050023	OVEN IND. LIGHT (LENS & BEZEL)		EA	
20	PA010034	TOP BURNER KNOB-*BK* (NEW STYLE)		EA	
Not Shown	NOTE	(Before 8/09/02)		EA	
Not Shown	PA010035	BURNER KNOB-WH NS REPL PA010028		EA	



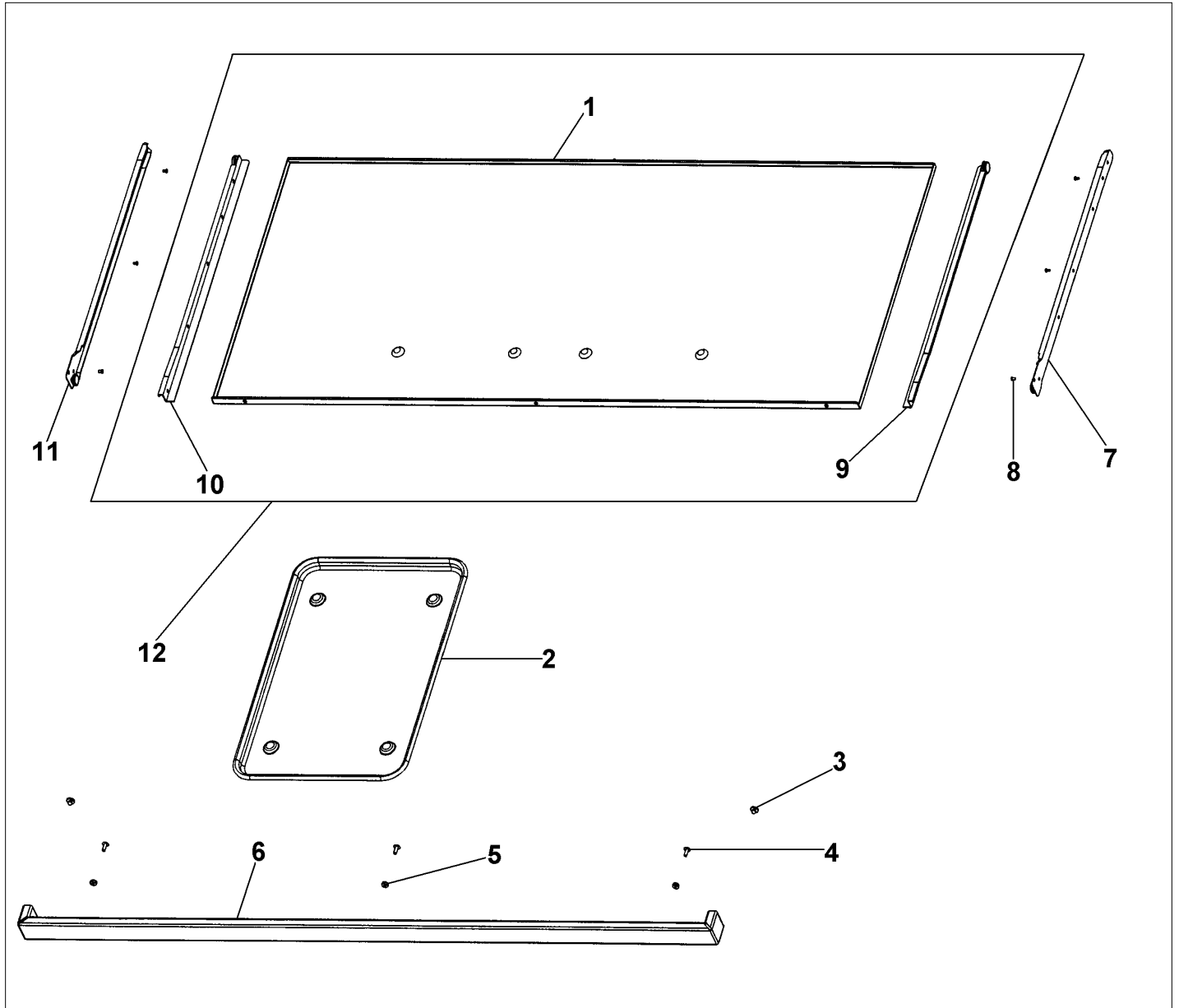


Item	Part No.	Name	Qty	Uom	NOTES
Not Shown	NOTE	(Before 8/09/02)		EA	
Not Shown	PB010206	TOP BURNER KNOB BK		EA	
Not Shown	NOTE	(After 8/09/02)		EA	
Not Shown	PB010207	TOP BURNER KNOB WH		EA	Not available online / Call for pricing and availability
Not Shown	NOTE	(After 8/09/02)		EA	
21	PB010103	GRIDDLE KNOB N/S *BK*		EA	
Not Shown	PB010104	GRIDDLE KNOB N/S *WH*		EA	

DRIP TRAY ASSEMBLY



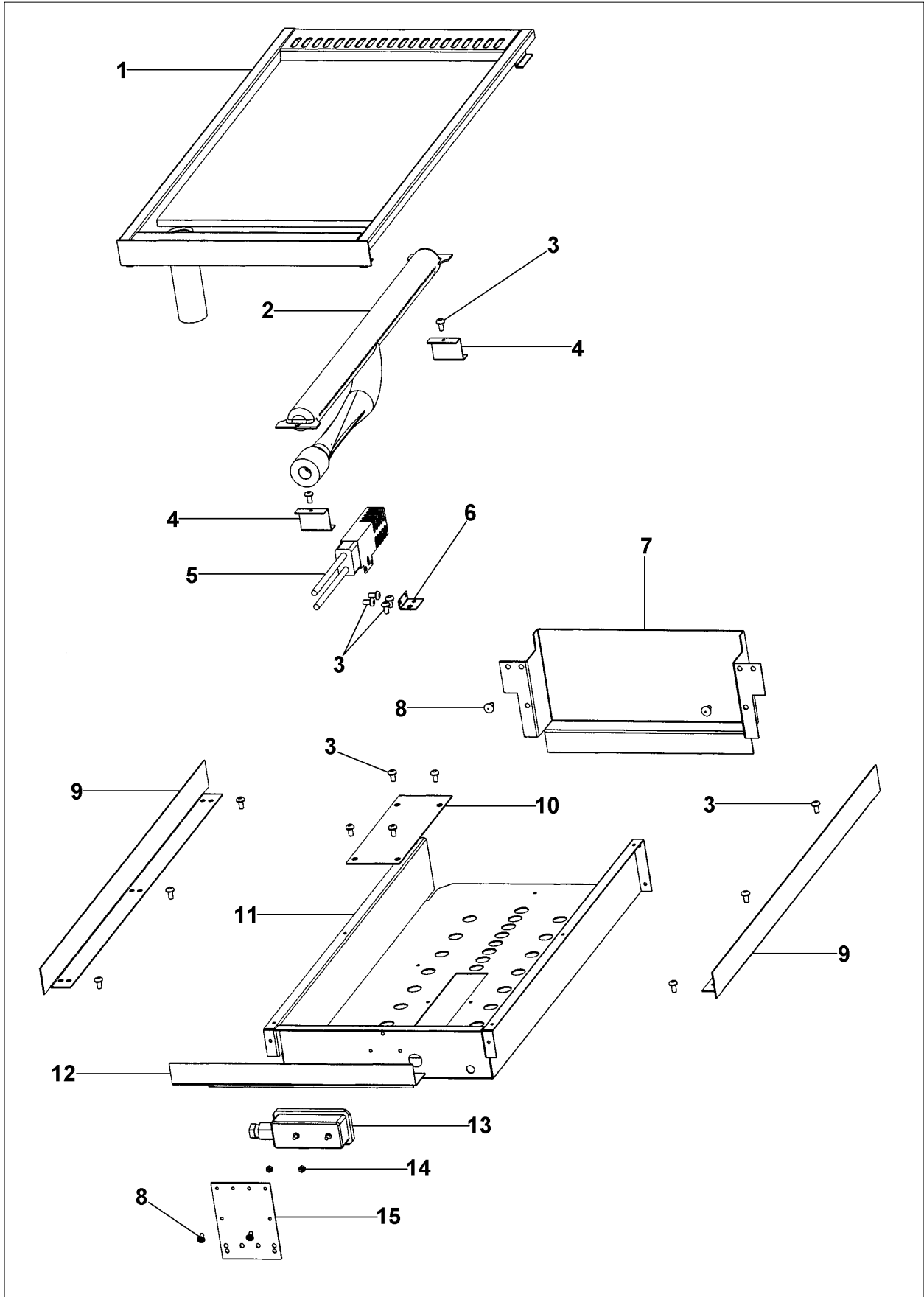
Item	Part No.	Name	Qty	Uom	NOTES
1	B3002768	DRIP TRAY (W/EMBOSS) 48"	1	EA	
Not Shown	NOTE	(OVERALL LENGTH = 42.644")		EA	
Not Shown	A30013335	48" DRIP TRAY 6Q & 6GQ	1	EA	NO LONGER AVAILABLE
Not Shown	NOTE	(OVERALL LENGTH = 44.500")		EA	
2	J2101749	GREASE PAN	1	EA	
3	PD040004	GROMMET BUMPER	1	EA	
4	PD010041	10-24 X 1/2 PH.TR.HD.M.S. NYLOK	1	EA	
5	PD030044	10-24 KEPS NUT *SS*	1	EA	
6	G30010697	DRIP TRAY HANDLE ASSY 48"	1	EA	
Not Shown	NOTE	(BEFORE 3/23/04)		EA	
G930258 1PVD	G93011461PVD	DRIP TRAY HANDLE ASSY 48" PVD - NLA	1	EA	
Not Shown	NOTE	(BEFORE 3/23/04)		EA	
Not Shown	G30010697	DRIP TRAY HANDLE ASSY 48"	1	EA	
Not Shown	NOTE	(AFTER 3/23/04)		EA	
Not Shown	G93011461PVD	DRIP TRAY HANDLE ASSY 48" PVD - NLA	1	EA	
Not Shown	NOTE	(AFTER 3/23/04)		EA	
7	PK000008	Drip Tray Guide - RH	1	EA	NO LONGER AVAILABLE
8	PC040010	POP RIVET (.063/GR -.125) GAMD42-A	1	EA	
9	PK000010	RUNNER, DRIP TRAY - RH (VGRT)	1	EA	
10	PK000009	Drip Tray Guide - LH	1	EA	
11	PK000007	DRIP TRAY GUIDE - LH (VGRT)	1	EA	NO LONGER AVAILABLE
12	G3004873	DRIP TRAY WELD ASSY (48"), NLA	1	EA	
Not Shown	NOTE	(OVERALL LENGTH = 41.956")		EA	
Not Shown	G30013336	48" DRIP TRAY ASSY. 6Q & 4GQ - NLA	1	EA	





Item	Part No.	Name	Qty	Uom	NOTES
Not Shown	NOTE	(OVERALL LENGTH = 45.188")		EA	

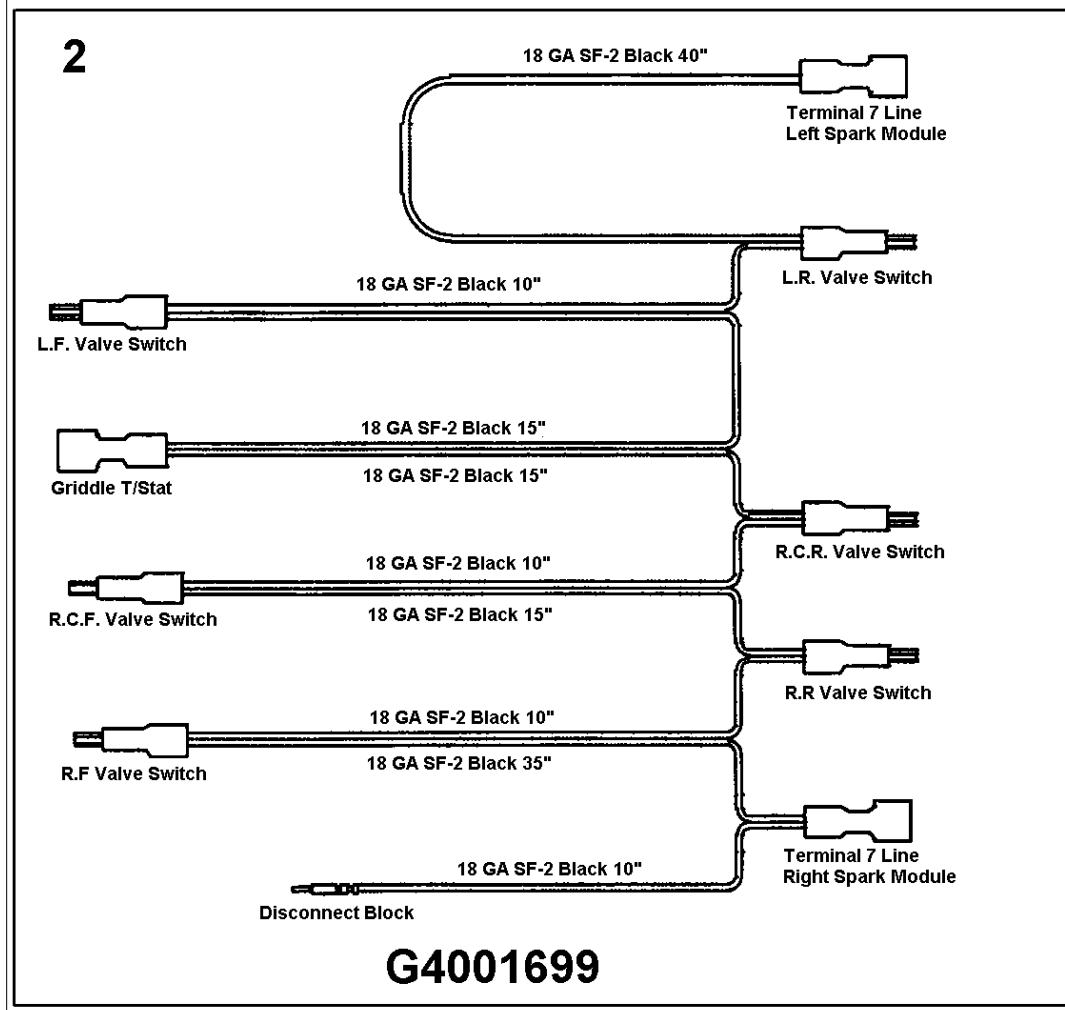
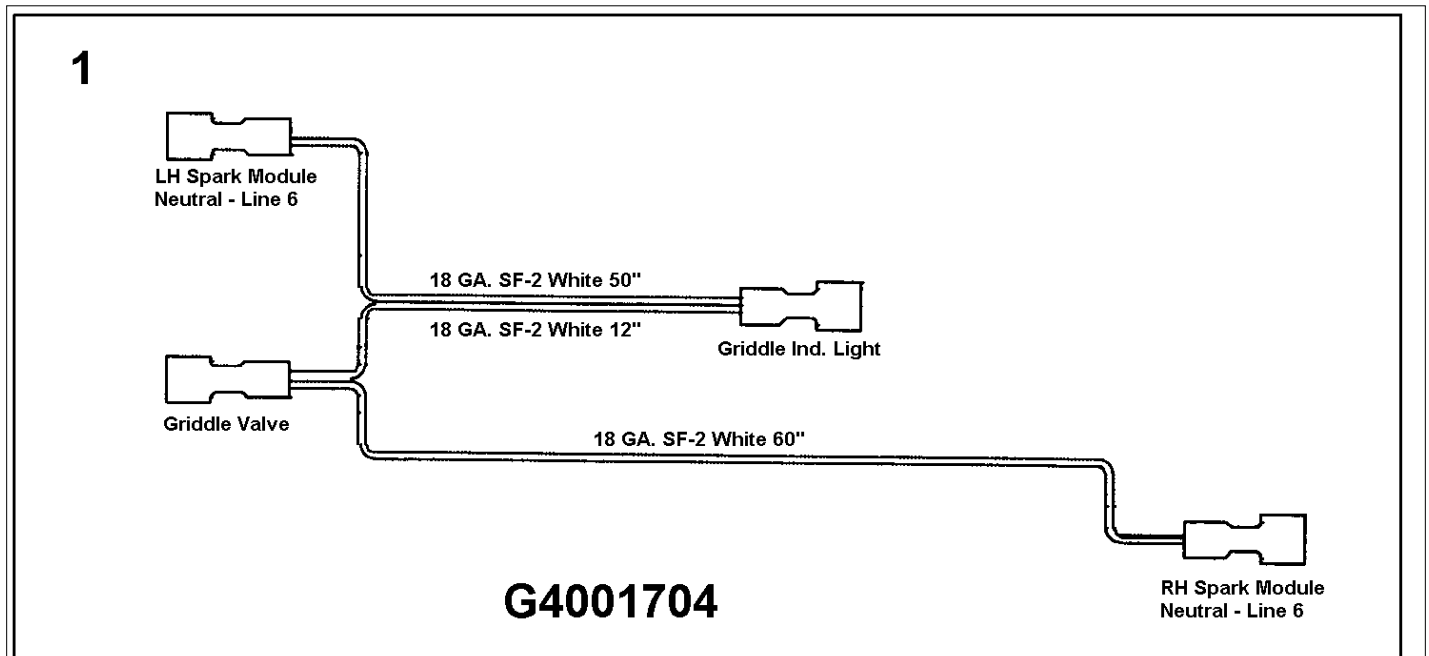
GRIDDLE ASSEMBLY





Item	Part No.	Name	Qty	Uom	NOTES
1	003210-000	12 OPEN GRIDDLE FRAME WELD ASSY	1	EA	
2	PB050077	GRILL BURNER	1	EA	
3	PD020004	10X3/8PH.HD.TYPE 25 REPL PD040125	1	EA	
4	A2002847	SUPT-GRIDDLE BURNER	1	EA	
5	PB040001	Igniter	1	EA	
6	A2001300	Griddle Igniter Bracket	1	EA	
7	A2002899	GRIDDLE FLUE BOX	1	EA	Not available online / Call for pricing and availability
8	PD020002	10 X 1/2 PH.TR.HD.SMS.	1	EA	
9	A2002896	GRIDDLE BOX EXTENSION (LH / RH)	1	EA	Not available online / Call for pricing and availability
10	A1001636	GRIDDLE VENTURI COVER	1	EA	
11	A2007610	GRIDDLE BOX - VGIC4854G	1	EA	Not available online / Call for pricing and availability
12	A2002898	GRIDDLE BOX EXTENSION FRONT	1	EA	Not available online / Call for pricing and availability
13	PB010004	SINGLE SAFETY VALVE (NAT. GRIDDLE)	1	EA	
14	PD030012	6-32 HEX NUT	1	EA	
15	A1001198	THERMAL VALVE BRKT	1	EA	NO LONGER AVAILABLE, Not available online / Call for pricing and availability

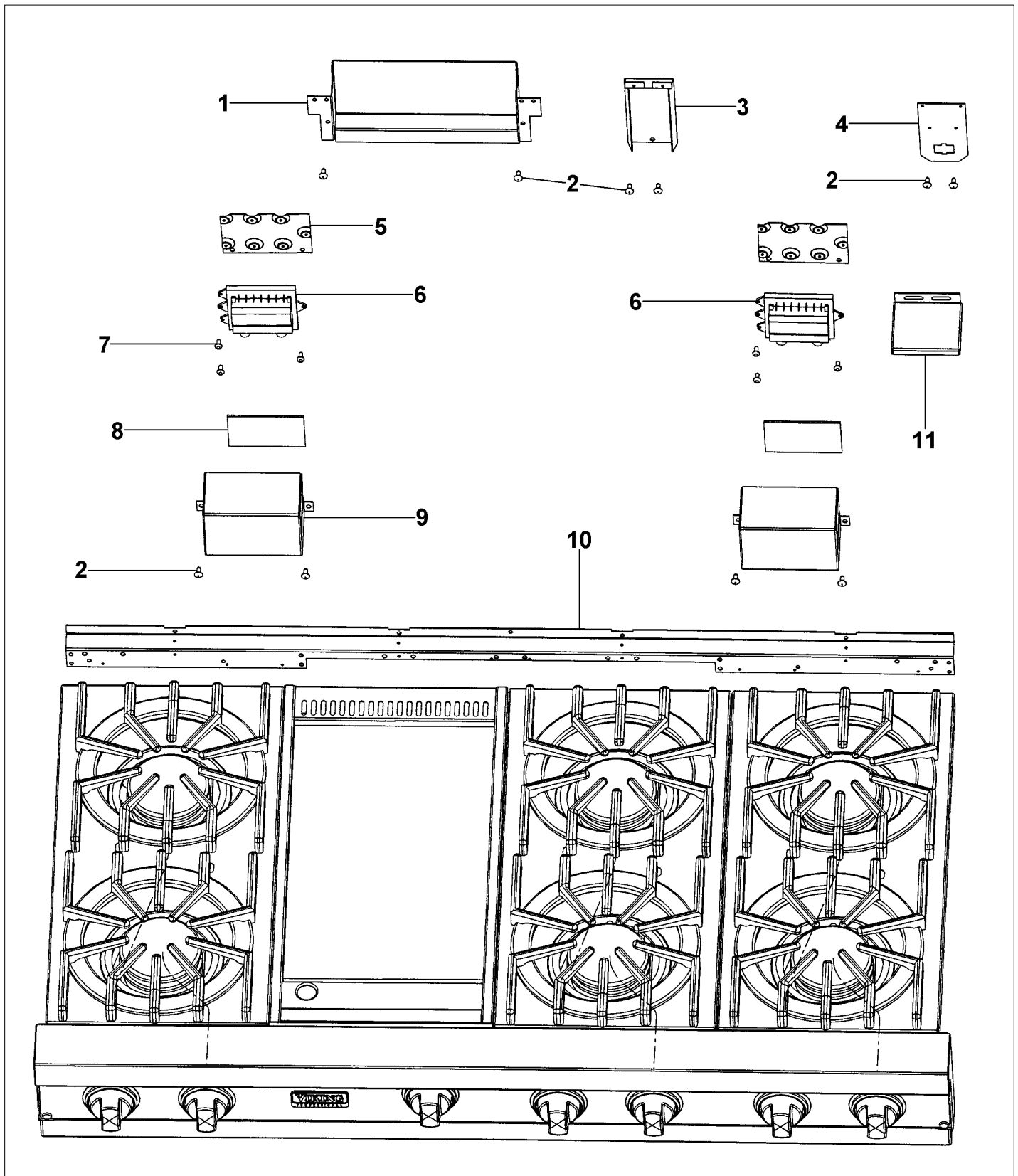
HARNESSES





Item	Part No.	Name	Qty	Uom	NOTES
1	G4001704	WIRING HARNESS (NEU) (VGRT48)	1	EA	NO LONGER AVAILABLE
2	G4001699	WIRING HARNESS (LINE) (VGRT48)	1	EA	NO LONGER AVAILABLE

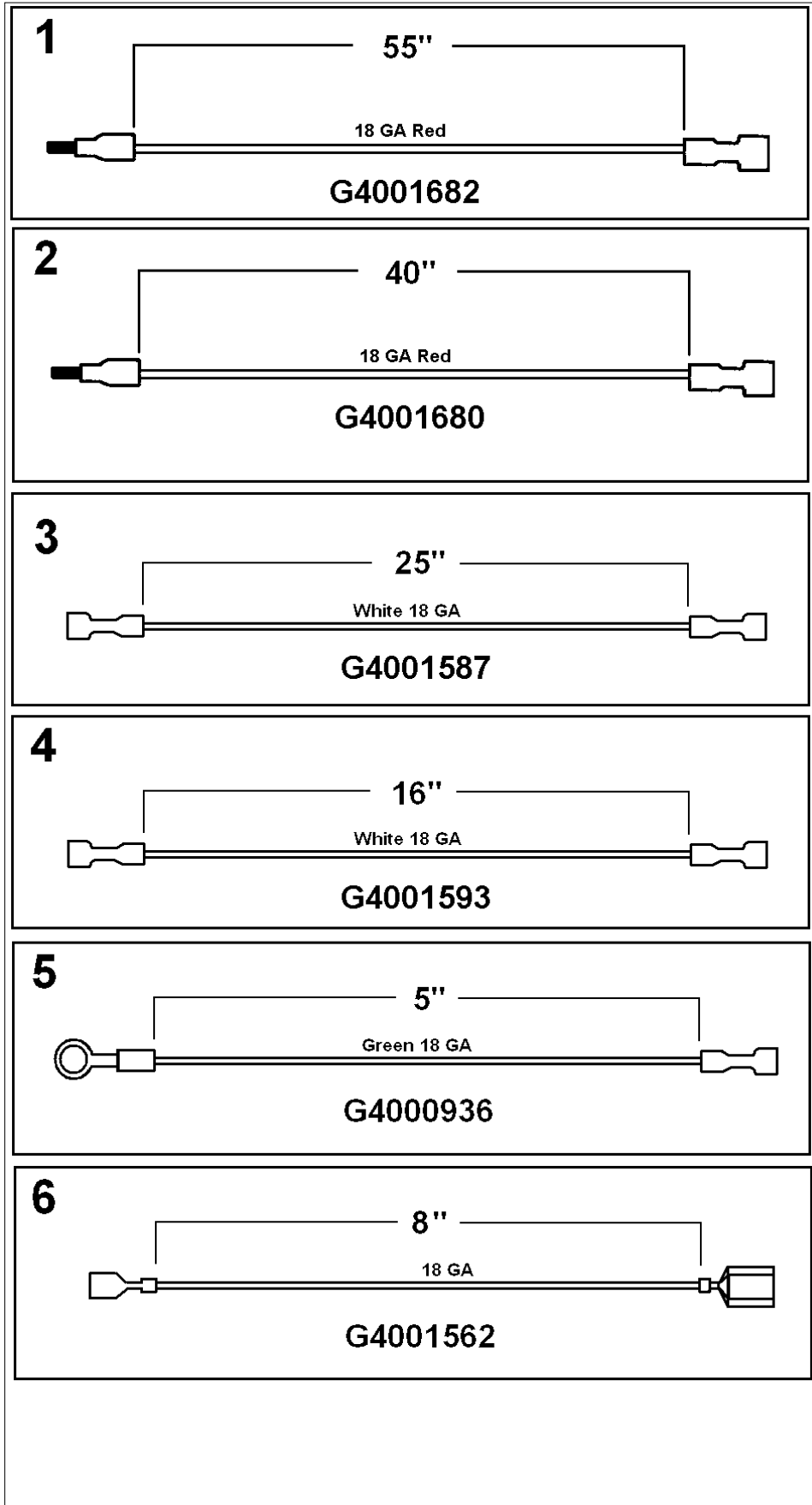
REAR ASSEMBLY





Item	Part No.	Name	Qty	Uom	NOTES
1	A2002899	GRIDDLE FLUE BOX	1	EA	Not available online / Call for pricing and availability
2	PD020002	10 X 1/2 PH.TR.HD.SMS.	1	EA	
3	A2001179	BACK SUPT (VGRT)	1	EA	
4	A1001146	PLUG BRACKET	1	EA	NO LONGER AVAILABLE, Not available online / Call for pricing and availability
5	A1001619	SPARK MODULE PLATE	1	EA	
6	PA020047	INVENSYS 0+4 RE-IGNITION SPARK MODULE	1	EA	
7	PD020004	10X3/8PH.HD.TYPE 25 REPL PD040125	1	EA	
8	PB070191	INSULATION PAD	1	EA	
9	A2001620	SPARK MODULE COVER (VGRC)	1	EA	
10	A2001908	REAR BURNER SUPT -48" (VGRT/RC)	1	EA	Not available online / Call for pricing and availability
11	A2000667	SHIELD - OUTLET VRTR	1	EA	NO LONGER AVAILABLE

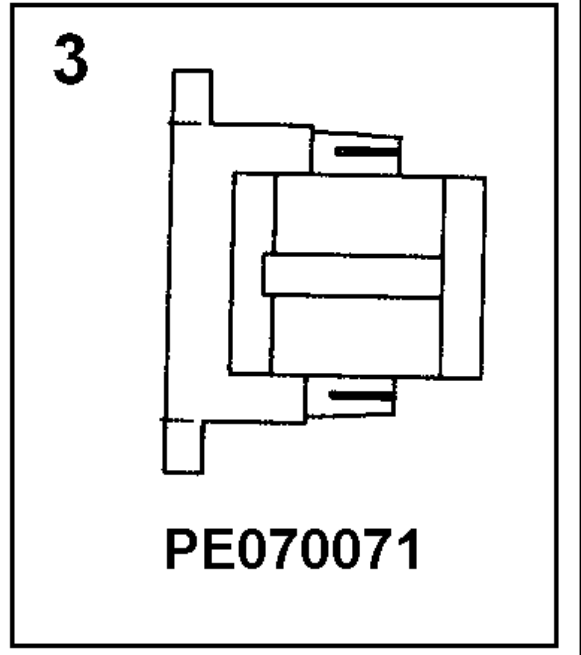
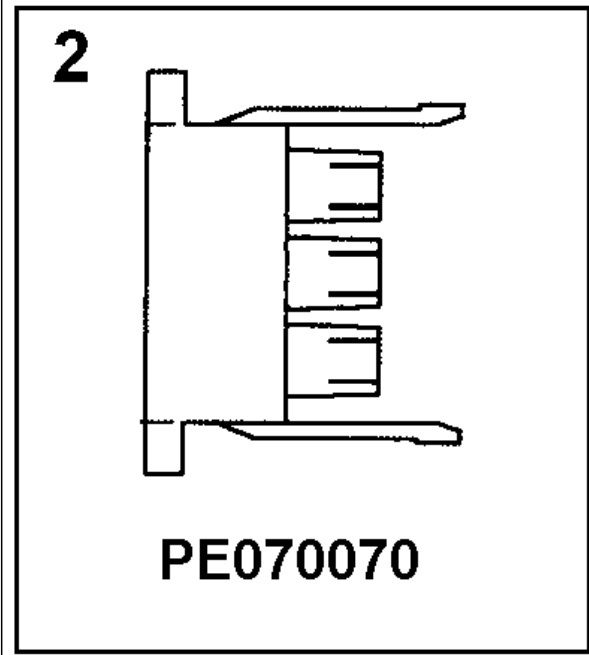
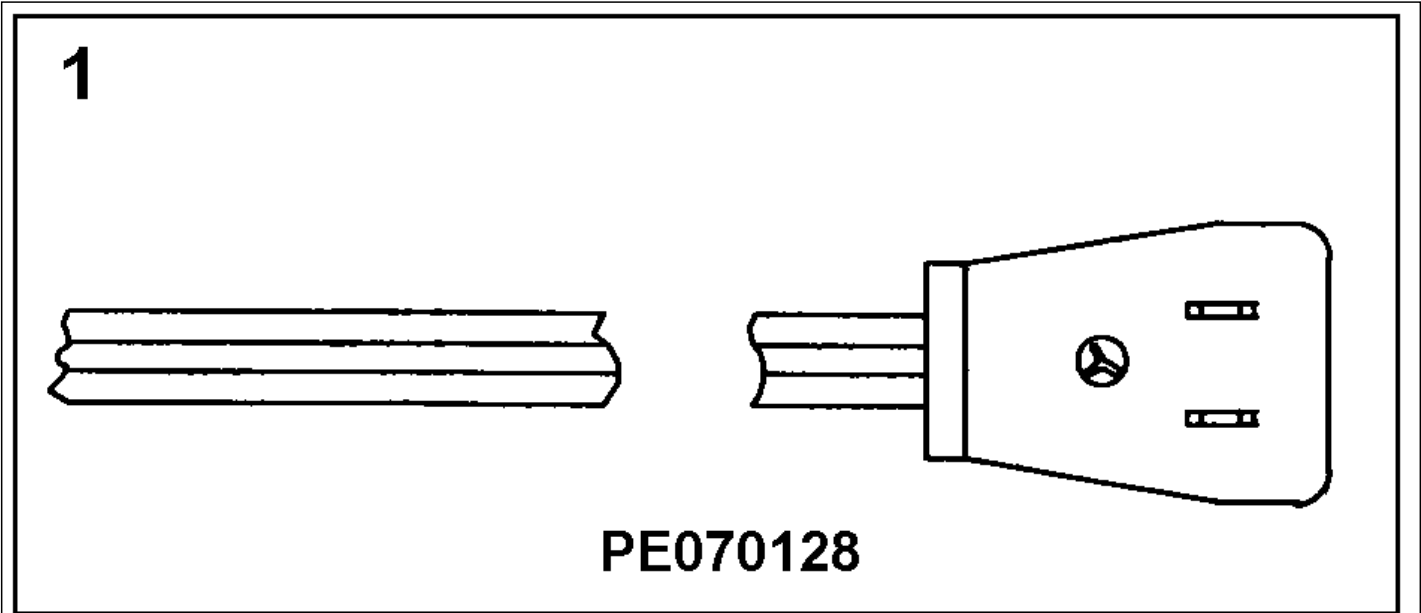
SINGLE WIRING





Item	Part No.	Name	Qty	Uom	NOTES
1	G4001682	WIRE ASSY *AL* 55"	1	EA	
2	G4001680	WIRE, SPRK MDLE-TOP BRNR VLVE SWITCH (40)	1	EA	
3	G4001587	SPARK MODULE-TOP BRNR SPARKER (25)	1	EA	
4	PE070719	IGNITOR WIRE KIT - VDSC3674Q	1	EA	
5	G4000936	GROUND WIRE	1	EA	
6	G4001562	DUAL SAFETY VALVE - JUMPER (10")	1	EA	

SUPPLY CORD ASSEMBLY





Item	Part No.	Name	Qty	Uom	NOTES
1	PE070128	Supply Cord	1	EA	
2	PE070070	Disconnect Block - Male	1	EA	
3	PE070071	Disconnect Block - Female	1	EA	



Appendix A:Pages Index

BURNER - GRATE ASSEMBLY 1
BURNER BOX EXTERIOR ASSEMBLY2
CONTROL - GAS ASSEMBLY3
DRIP TRAY ASSEMBLY4
GRIDDLE ASSEMBLY 5
HARNESSES 6
REAR ASSEMBLY7
SINGLE WIRING 8
SUPPLY CORD ASSEMBLY 9



Appendix B:Parts Index

002569-000	3	G3004873	4
003210-000	5	G4000936	8
003515-000	3	G4001562	8
003862-000	3	G4001587	8
007147-000	3	G4001680	8
050172-000	3	G4001682	8
A1001138	2	G4001699	6
A1001146	7	G4001704	6
A1001198	5	G50012678	3
A1001619	7	G50012681	3
A1001636	5	G50013584	1
A2000667	7	G93011461PVD	4, 4
A2001104	2	J2101749	4
A2001112	1	PA010012	3
A2001147	1	PA010034	3
A2001179	7	PA010035	3
A2001300	5	PA020015	3
A2001620	7	PA020028	1
A2001908	7	PA020045	3
A2001911	2	PA020047	7
A2001912	2	PA030002	1
A2002847	5	PA060037	1
A2002896	5	PA060038	1
A2002898	5	PA070003	3
A2002899	5, 7	PA080015	1
A2007610	5	PA080016	1
A30013335	4	PA080036	1
B2001915	2	PA080037	1
B2001916	2	PB010004	3, 5
B2001919	2	PB010103	3
B2001920	2	PB010104	3
B3002768	4	PB010206	3
B9202380	3	PB010207	3
C9202380BK	3	PB010209	3
C9202380WH	3	PB010264	3
C9301815BR	2	PB020116	3
C9301916BR	2	PB040001	5
G30010697	4, 4	PB040034	3
G30013336	4	PB040036	3
G3001584	2	PB050077	5
		PB070191	7



PC040010 4
PD010012 3
PD010041 4
PD020002 1, 2, 5, 7
PD020004 1, 5, 7
PD020006 3
PD020032 2
PD020033 2, 3
PD020046 3
PD030005 2, 3
PD030006 3
PD030012 5
PD030044 4
PD040004 4
PE010142 3
PE010143 3
PE010144 3
PE010145 3
PE050023 3
PE050024 3
PE070070 9
PE070071 9
PE070128 9
PE070719 8
PK000007 4
PK000008 4
PK000009 4
PK000010 4