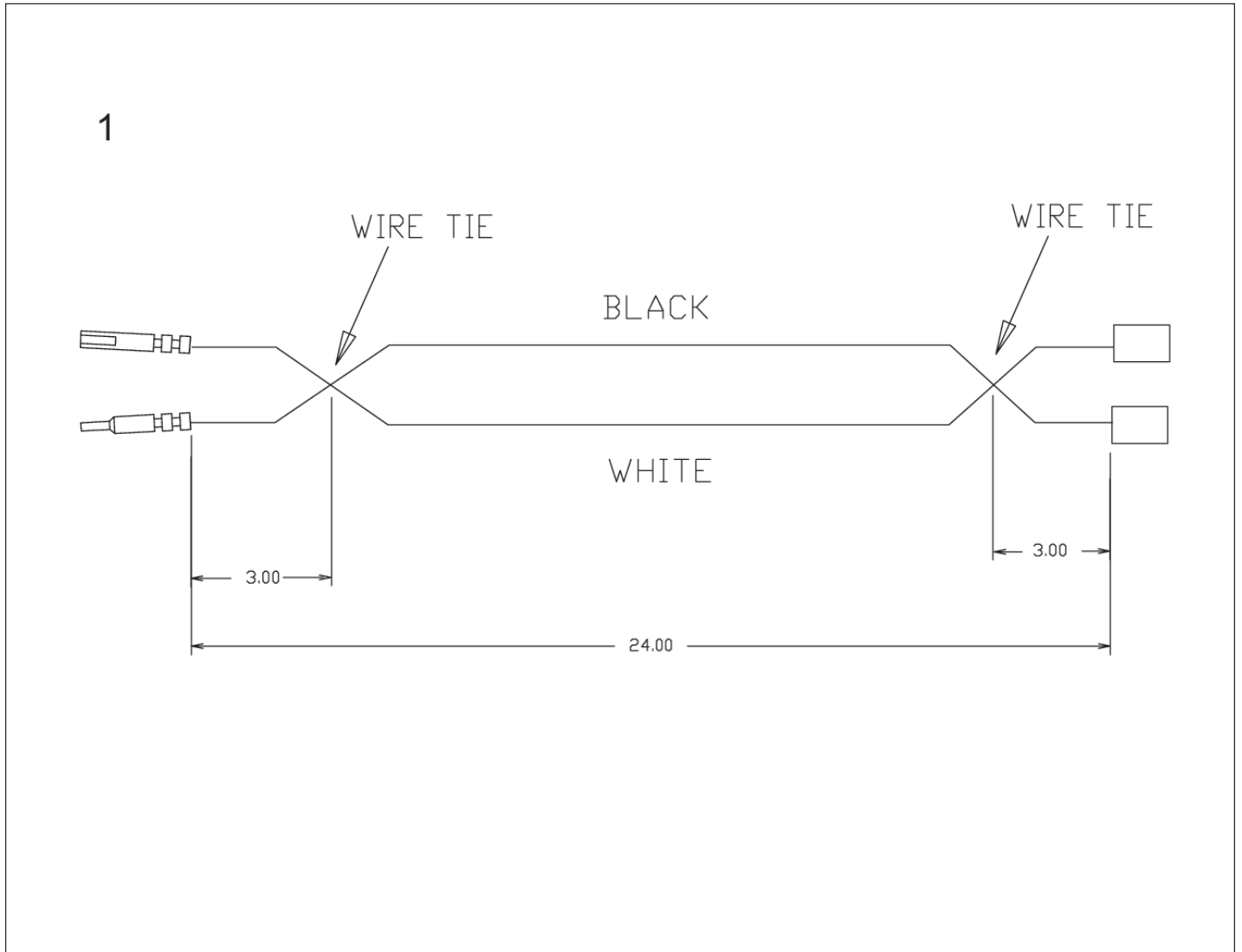


**VGRT480-4GQAFTER07-09-07**

000837-000 .....	1
000878-000 .....	2
000879-000 .....	3
BURNER BOX INTERIOR .....	4
CONTROL AREA .....	5
DRIP TRAY .....	6
GRIDDLE SUBASSEMBLY .....	7
GRILL IGNITER WIRE .....	8
GRILL SUBASSEMBLY .....	9
PE070891 .....	10
SURFACE COOKING AREA .....	11
TOP BURNER IGNITER WIRES .....	12
Appendix A:Pages Index .....	A
Appendix B:Parts Index .....	B







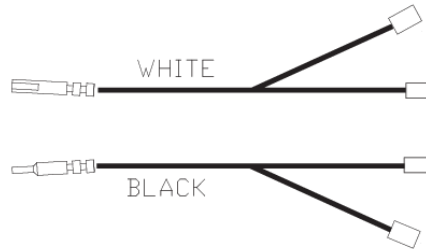
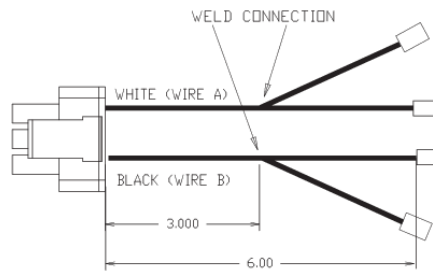
Item	Part No.	Name	Qty	Uom	NOTES
1	000837-000	VGRT SUPPLY CORD JUMPER	1	EA	Not available online / Call for pricing and availability
Not Shown	NOTE	(BEFORE 10/4/11)		EA	
NI	027347-000	SUPPLY CORD JUMPER	1	EA	
Not Shown	NOTE	(ON OR AFTER 10/4/11)		EA	

000878-000

1

A = POSITION 6.

B = POSITION 4





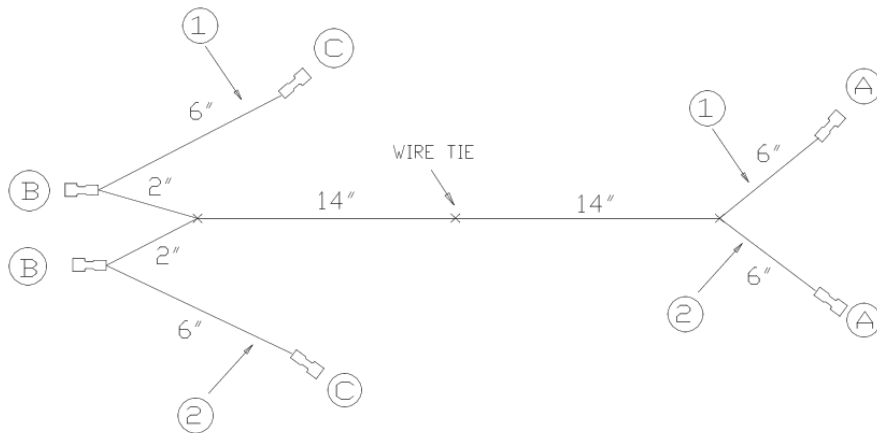
Item	Part No.	Name	Qty	Uom	NOTES
1	000878-000	IRIS POWER JUMPER W/GRIDDLE - NLA	1	EA	NO LONGER AVAILABLE

1

① = BLACK WIRE

② = WHITE WIRE

	QTY	DESCRIPTION
A	2	250 X .032 INSULATED FEMALE QUICK CONNECT
B	2	250 X .032 INSULATED FEMALE QUICK CONNECT
C	2	187 X .032 INSULATED FEMALE QUICK CONNECT

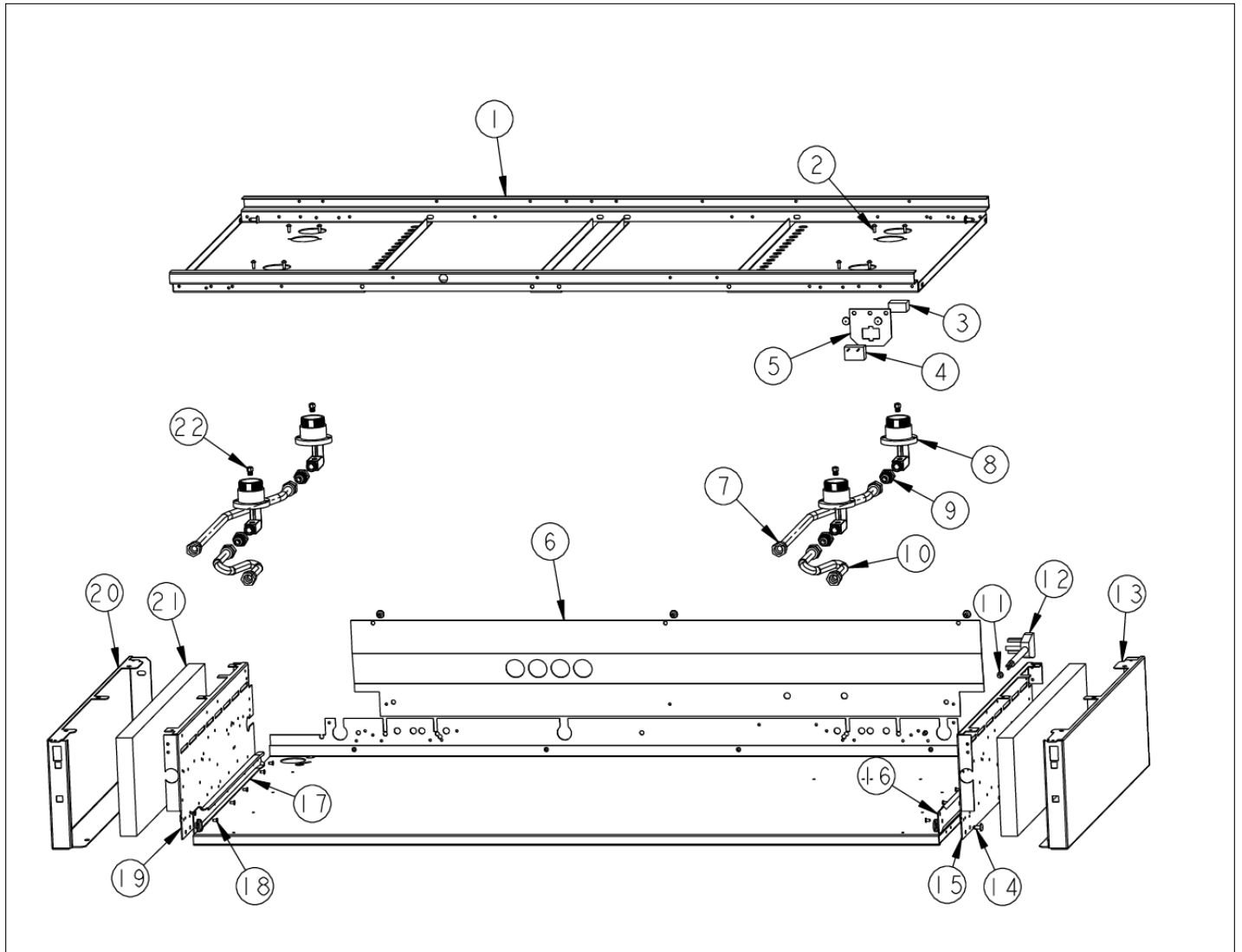






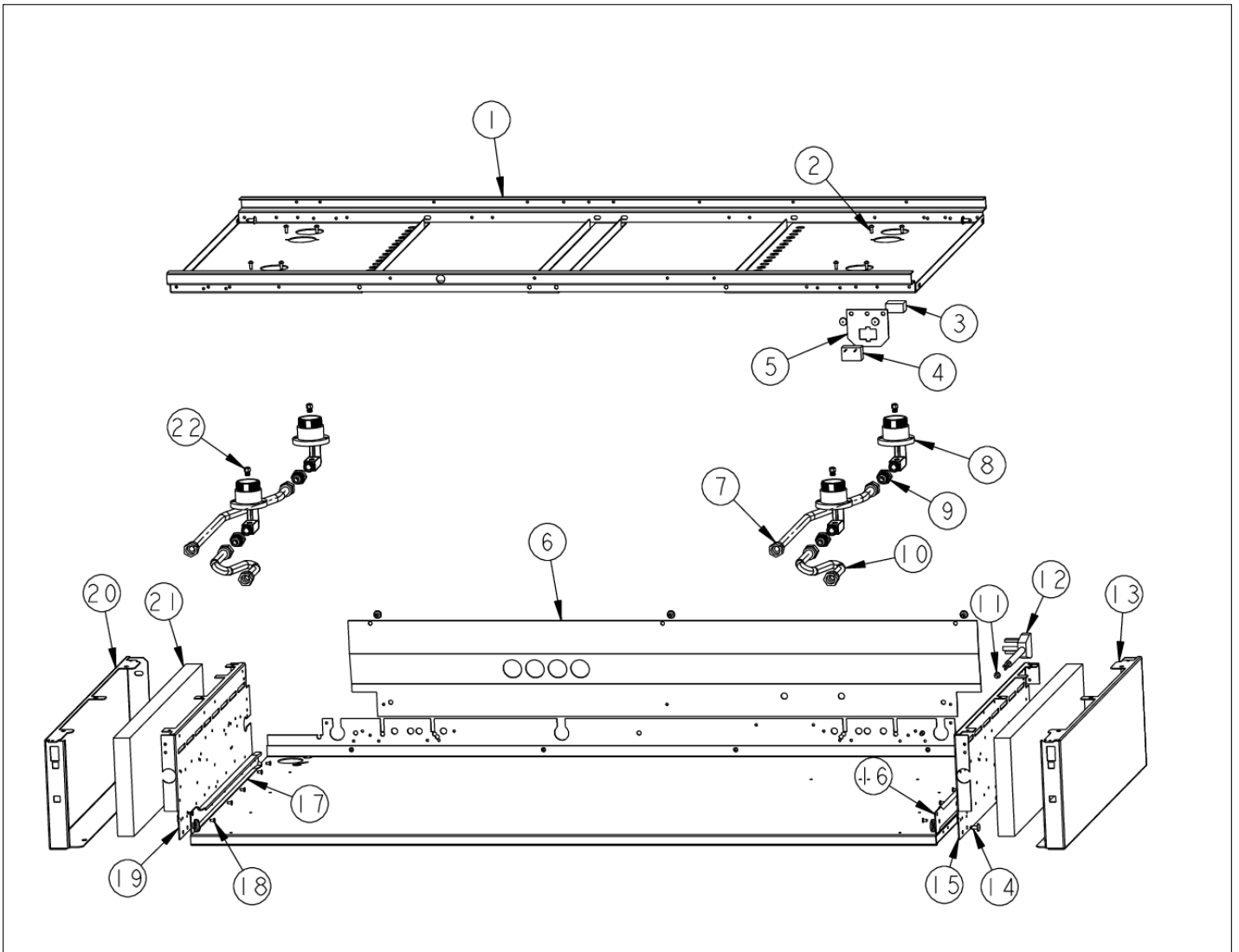
Item	Part No.	Name	Qty	Uom	NOTES
1	000879-000	GRIDDLE HARNESS W/IRIS	1	EA	

BURNER BOX INTERIOR





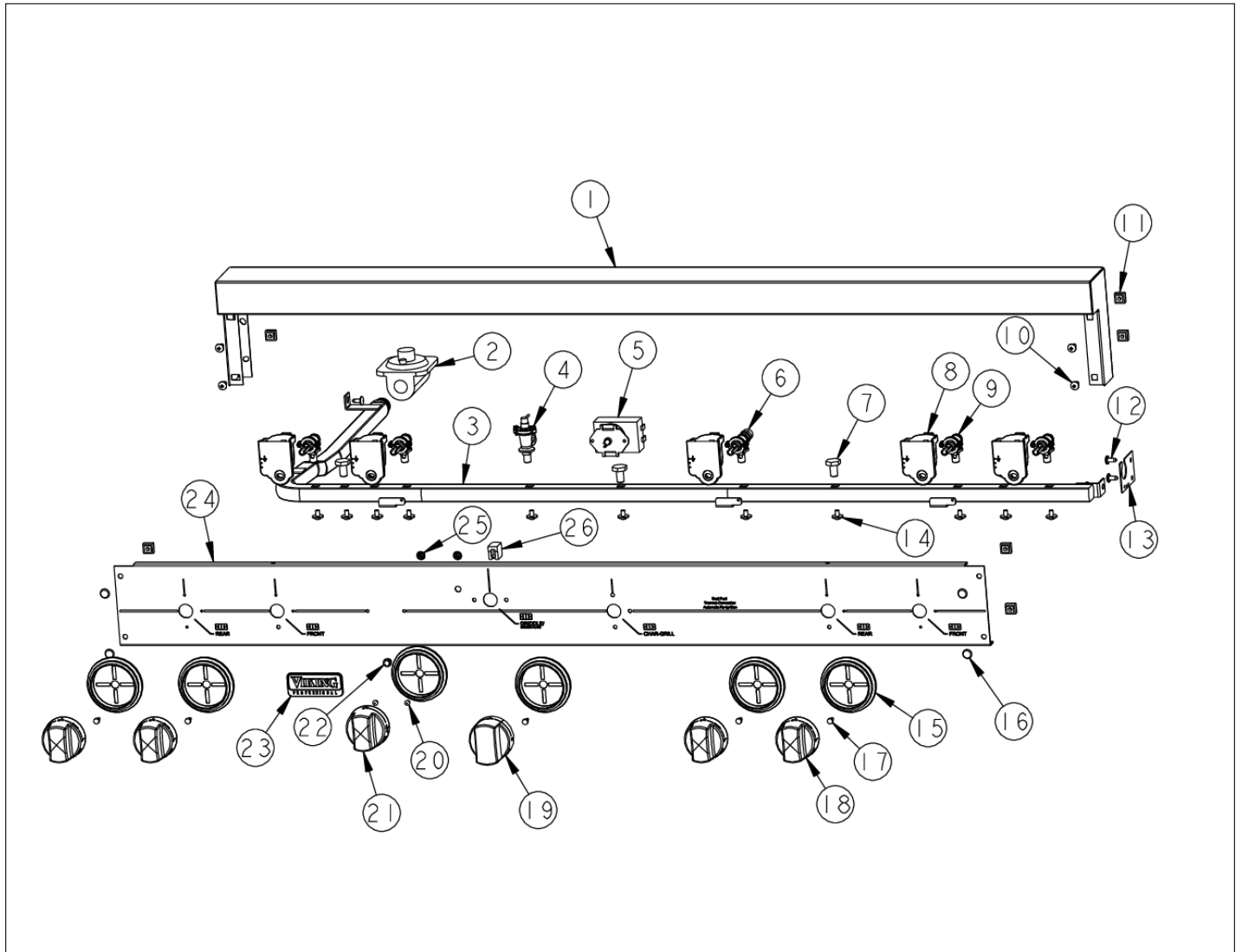
Item	Part No.	Name	Qty	Uom	NOTES
1	A20011240	48" SEALED BURNER SUPT. (4GQ)	1	EA	
2	PD020076	6-32 X 3/8" PHILL PAN MS	8	EA	
3	PE070071	Disconnect Block - Female	1	EA	
4	000573-000	POWER JUMPER WIRE	1	EA	
5	A1008487	SERVICE DISCONNECT BRACKET	1	EA	
6	A20012659	BURNER BOX HEAT SHIELD	1	EA	
7	PB020193	16" FLEX TUBING W/CONNECTORS	1	EA	
8	PA080075	Burner Body	4	EA	
Not Shown	NOTE	(Before 12/18/07)		EA	
Not Shown	001394-042	15000 BTU NAT JETHOLDER	4	EA	
Not Shown	NOTE	(After 12/18/07)		EA	
Not Shown	001394-043	13500 BTU LP JETHOLDER	4	EA	
Not Shown	NOTE	(After 12/18/07)		EA	
9	PA050086	5/8" MALE FLARE FITTING	4	EA	Not available online / Call for pricing and availability
10	PB020192	10" FLEX TUBING W/CONNECTORS	4	EA	
11	PD020010	10 X 3/8 GREEN GROUNDING SCREW	1	EA	
12	PE070128	Supply Cord	1	EA	
13	002152-000	SIDE PANEL, RH	1	EA	NO LONGER AVAILABLE, Not available online / Call for pricing and availability
14	PD020002	10 X 1/2 PH.TR.HD.SMS.	24	EA	
15	A2006747	Burner Box Side - RH	1	EA	
16	PK000008	Drip Tray Guide - RH	1	EA	NO LONGER AVAILABLE
17	PK000007	DRIP TRAY GUIDE - LH (VGRT)	1	EA	NO LONGER AVAILABLE
18	PC040010	POP RIVET (.063/GR -.125) GAMD42-A	6	EA	





Item	Part No.	Name	Qty	Uom	NOTES
19	A2006748	Burner Box Side - LH	1	EA	
20	002153-000	SIDE PANEL, LH - NLA	1	EA	NO LONGER AVAILABLE
21	PB070034	INSULATION-TRS-10 1" X 20" X 77' ROLL	1	EA	
22	PB040194	Orifice - Nat.	4	EA	
Not Shown	NOTE	(Before 12/18/07)		EA	
Not Shown	001396-040	15K NG ORIFICE	4	EA	
Not Shown	NOTE	(After 12/18/07)		EA	
Not Shown	PB040217	L.P. ORIFICE	4	EA	
Not Shown	NOTE	(Before 12/18/07)		EA	
Not Shown	001396-044	13.5K LP ORIFICE	4	EA	
Not Shown	NOTE	(After 12/18/07)		EA	

CONTROL AREA





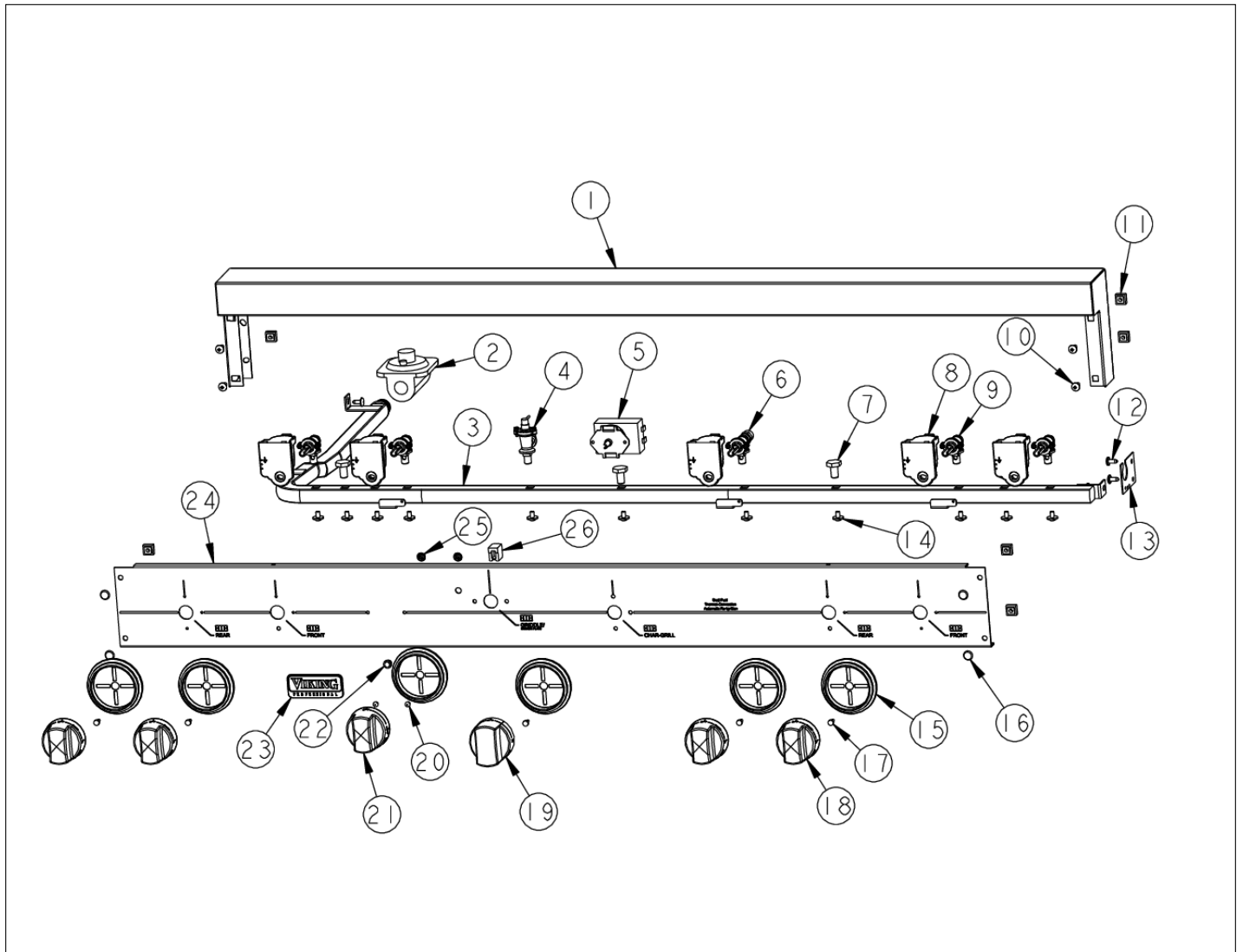
Item	Part No.	Name	Qty	Uom	NOTES
1	G3009843	SEALED LANDING LEDGE ASSY 48"	1	EA	
2	PA070003	PRESSURE REGULATOR	1	EA	
3	002569-000	UNIVERSAL 48" MANIFOLD	1	EA	
Not Shown	002569-000	UNIVERSAL 48" MANIFOLD	1	EA	
4	007147-000	SHUTOFF VALVE ASSY	1	EA	
5	PB010264	GRIDDLE THERMOSTAT	1	EA	
6	003536-000	PA010159 VALVE AND BOLT KIT	1	EA	
7	002884-000	MANIFOLD PLUG	5	EA	
8	PA020058	IRIS SINGLE SPARK MODULE	5	EA	
9	003515-000	PA010157 VALVE AND BOLT KIT	4	EA	
10	PD010003	10-24 X 1/2 PH.TR.HD.SERD.M.S.	4	EA	
11	PD030005	SELF RETAINING NUT	8	EA	
12	PD020002	10 X 1/2 PH.TR.HD.SMS.	24	EA	
13	A1001138	MANIFOLD BRKT	1	EA	NO LONGER AVAILABLE, Not available online / Call for pricing and availability
14	PD010012	1/4 x 3/8 VALVE BOLT	11	EA	
15	050172-000	BEZEL, KNOB	5	EA	
Not Shown	PB010209	Bezel - BR	5	EA	
16	PD020033	SRW-#10-24X1/2"T(23)PH.WFR HD (NKL)	4	EA	
17	PD020067	' #6 X 3/8" PAN PHIL. TEK *SS*	3	EA	
18	PB010206	TOP BURNER KNOB BK	4	EA	
Not Shown	PB010207	TOP BURNER KNOB WH	4	EA	Not available online / Call for pricing and availability
19	PA010122	VGRC/IC/RT GRILL KNOB (BK)	1	EA	
Not Shown	PA010123	VGRC/IC/RT GRILL KNOB (WH)	1	EA	
20	PD020006	' #6-32 X 1/4" PH.PAN HD. T(F)	9	EA	
21	PB010103	GRIDDLE KNOB N/S *BK*	1	EA	







Item	Part No.	Name	Qty	Uom	NOTES
Not Shown	PB010104	GRIDDLE KNOB N/S *WH*	1	EA	
22	PE050023	OVEN IND. LIGHT (LENS & BEZEL)	1	EA	
23	PE010142	3" VIKING LOGO BLACK/CHROME	1	EA	
Not Shown	PE010143	3" LOGO BK/BR	1	EA	
Not Shown	PE010144	3" LOGO *WH*CHROME	1	EA	NO LONGER AVAILABLE
Not Shown	PE010145	LOGO - WH / BR	1	EA	
24	B9202379	CTRL PAN- (VGRT480-4GQ)*SLK SCR*	1	EA	
Not Shown	C9202379AL	CONTROL PANEL VGRT480-4GQ *AL* SILK SCR	1	EA	NO LONGER AVAILABLE, Not available online / Call for pricing and availability
Not Shown	C9202379BK	CTRL PAN- *BK* (VGRT480-4GQ)*SLK	1	EA	NO LONGER AVAILABLE
Not Shown	C9202379BT	CONTROL PANEL VGRT480-4GQ *BT* SILK SCR	1	EA	NO LONGER AVAILABLE, Not available online / Call for pricing and availability
Not Shown	C9202379BU	CONTROL PANEL VGRT480-4GQ *BU* SILK SCR	1	EA	NO LONGER AVAILABLE, Not available online / Call for pricing and availability
Not Shown	C9202379CB	CONTROL PANEL VGRT480-4GQ *CB* SILK SCR	1	EA	NO LONGER AVAILABLE, Not available online / Call for pricing and availability
Not Shown	C9202379EP	CONTROL PANEL VGRT480-4GQ *EP* SILK SCR	1	EA	NO LONGER AVAILABLE, Not available online / Call for pricing and availability
Not Shown	C9202379FG	CONTROL PANEL VGRT480-4GQ *FG* SILK SCR	1	EA	NO LONGER AVAILABLE, Not available online / Call for pricing and availability
Not Shown	C9202379GG	CONTROL PANEL VGRT480-4GQ *GG* SILK SCR	1	EA	NO LONGER AVAILABLE, Not available online / Call for pricing and availability





Item	Part No.	Name	Qty	Uom	NOTES
Not Shown	C9202379LE	CONTROL PANEL VGRT480-4GQ *LE* SILK SCR	1	EA	NO LONGER AVAILABLE, Not available online / Call for pricing and availability
Not Shown	C9202379MJ	CONTROL PANEL VGRT480-4GQ *MJ* SILK SCR	1	EA	NO LONGER AVAILABLE, Not available online / Call for pricing and availability
Not Shown	C9202379SG	CONTROL PANEL VGRT480-4GQ *SG* SILK SCR	1	EA	NO LONGER AVAILABLE, Not available online / Call for pricing and availability
Not Shown	C9202379VB	CONTROL PANEL VGRT480-4GQ *VB* SILK SCR	1	EA	NO LONGER AVAILABLE, Not available online / Call for pricing and availability
Not Shown	C9202379WH	CTRL PAN- *WH* (VGRT480-4GQ )*SLK S	1	EA	NO LONGER AVAILABLE, Not available online / Call for pricing and availability
25	PD030006	CAPPED WASHER PAL NUT	2	EA	
26	PE050024	OVEN IND. LIGHT (LIGHT HOUSING)	1	EA	

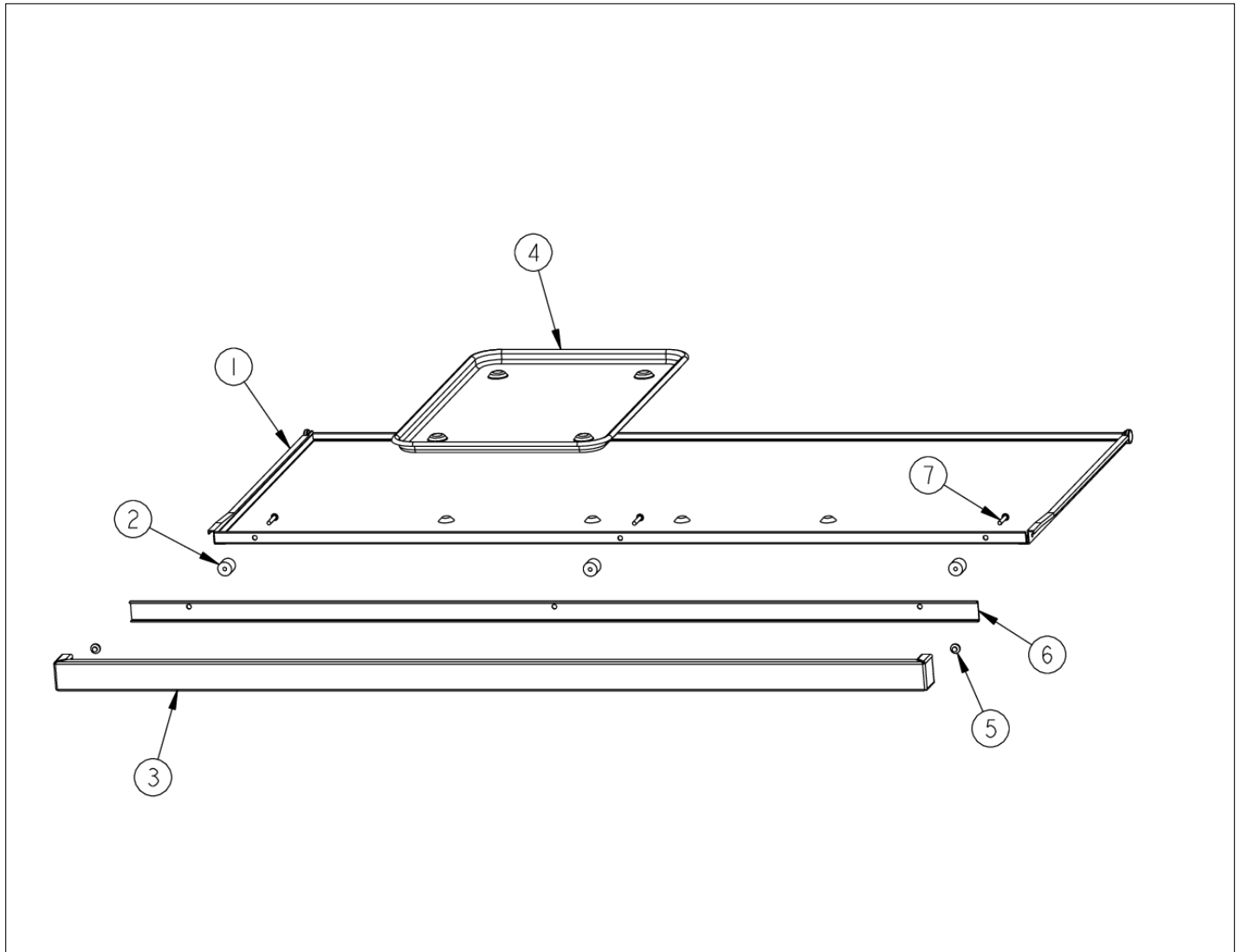
Comments for Part Num. PE050024

haarnink@vikingrange.com on Jan 14, 2019

please note that the indicator light is now part 043135-000 but needs the Jumper harness 051443-000. and second option there are units in the field with a 230V indicator light part number 036566-000.

please check this for all "E" module ranges/Tops

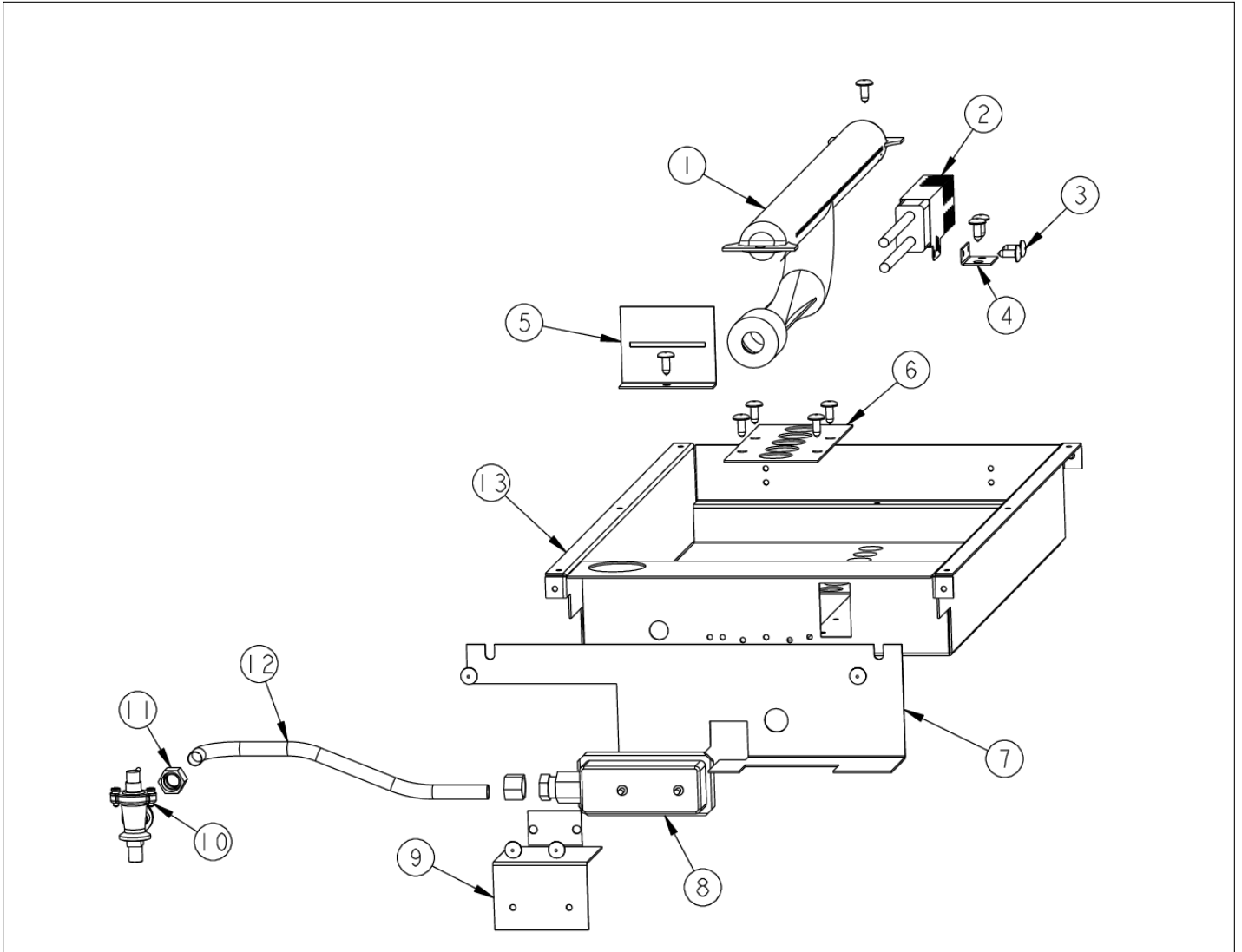
DRIP TRAY





Item	Part No.	Name	Qty	Uom	NOTES
1	G30013336	48" DRIP TRAY ASSY. 6Q &4GQ - NLA	1	EA	
2	PD040028	BUSHING(.194ID/.750OD/.750L ONG)	3	EA	
3	G30010697	DRIP TRAY HANDLE ASSY 48"	1	EA	
Not Shown	G93011461PVD	DRIP TRAY HANDLE ASSY 48" PVD - NLA	1	EA	
4	J2101749	GREASE PAN	1	EA	
5	PD040004	GROMMET BUMPER	2	EA	
6	A20010693	DRIP TRAY HANDLE BACK 48	2	EA	
7	PD020079	#10 X 1 1/4 PH. PAN HD. T(A) NYLOK	2	EA	

GRIDDLE SUBASSEMBLY



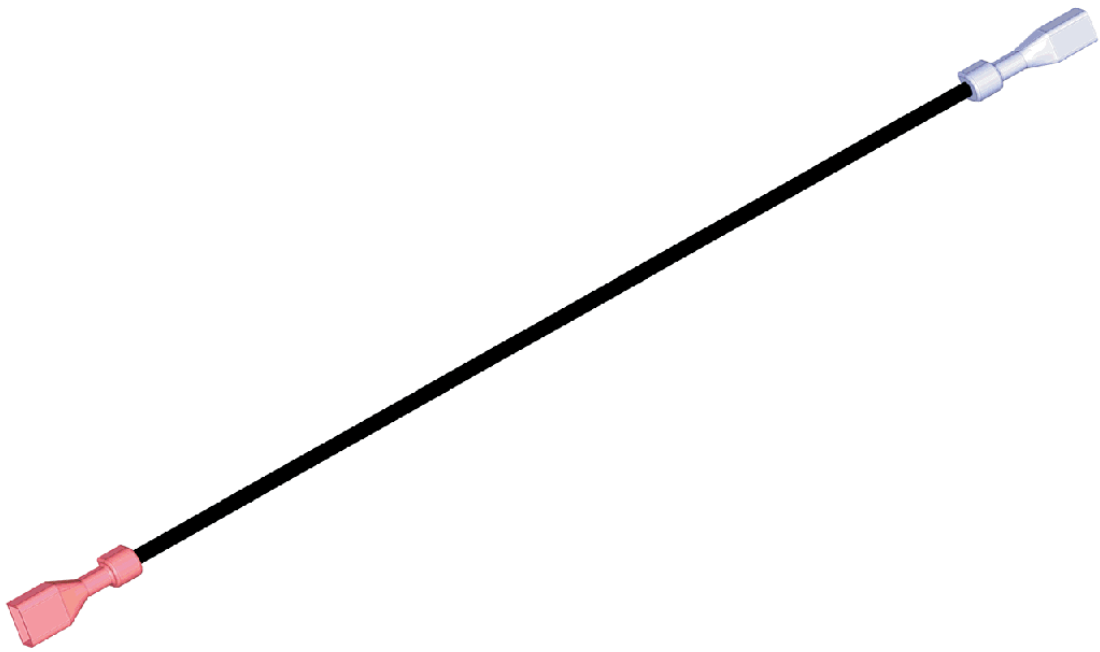


Item	Part No.	Name	Qty	Uom	NOTES
1	PB050074	Griddle Burner	1	EA	
2	PB040001	Igniter	1	EA	
3	PD020002	10 X 1/2 PH.TR.HD.SMS.	1	EA	
4	A2001300	Griddle Igniter Bracket	1	EA	
5	A2009580	Griddle Burner Bracket	1	EA	
6	A1007861	Griddle Venturi Cover	1	EA	Not available online / Call for pricing and availability
7	A20010470	Component Shield	1	EA	
8	PB010004	SINGLE SAFETY VALVE (NAT. GRIDDLE)	1	EA	
9	A2007867	Griddle Valve Bracket	1	EA	Not available online / Call for pricing and availability
10	007147-000	SHUTOFF VALVE ASSY	1	EA	
11	PB040192	3/8" CC FERREL (DGCU)	2	EA	
Not Shown	PB040213	3/8" COMPRESSION NUT (DGCU)	2	EA	
12	PB020116	TUBING - 10" FLEXIBLE 12 & 24"	1	EA	
13	A2007862	Sealed Griddle Box	1	EA	



GRILL IGNITER WIRE

1

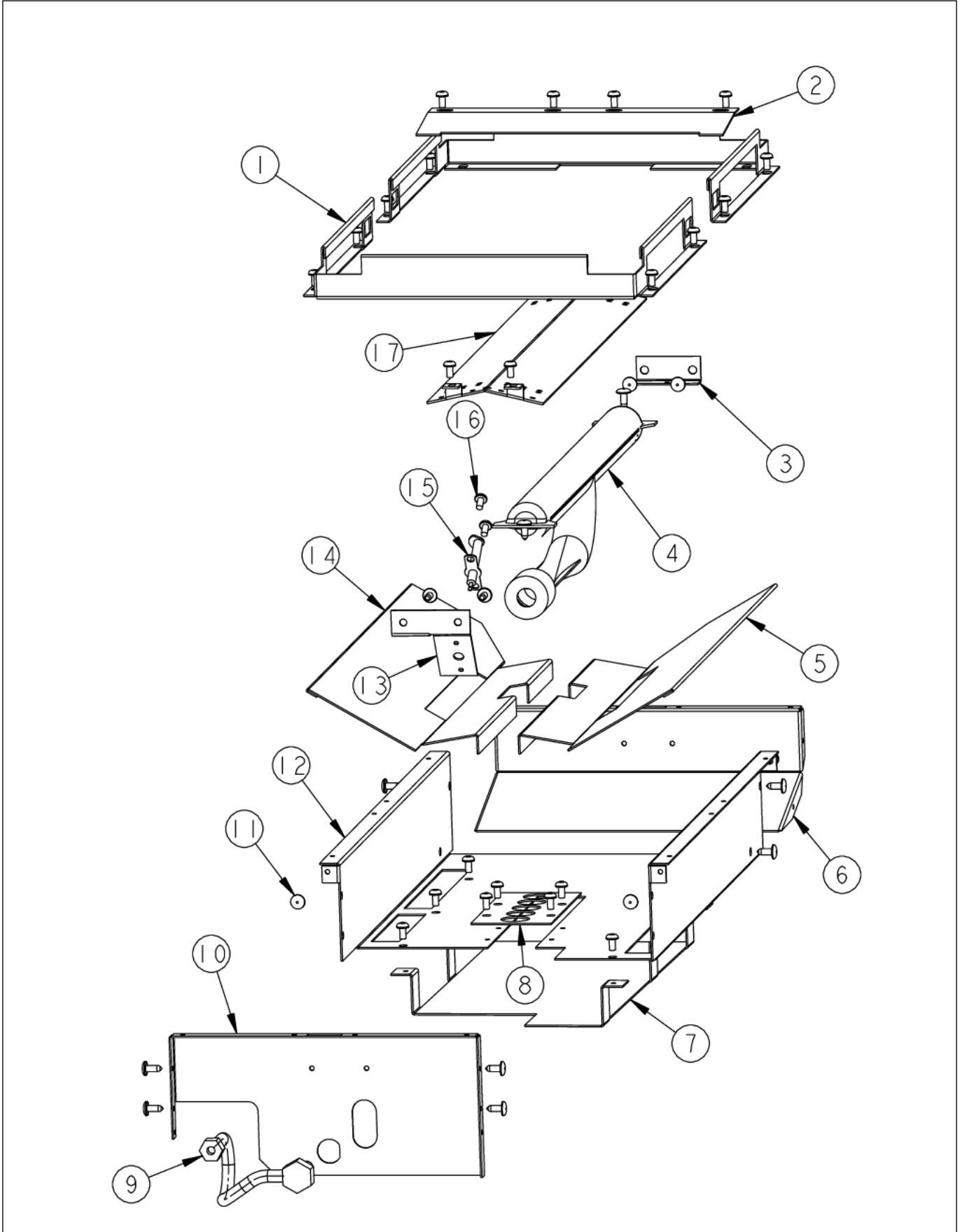






Item	Part No.	Name	Qty	Uom	NOTES
1	000649-000	IRIS IGNITOR WIRE, GRILL	1	EA	

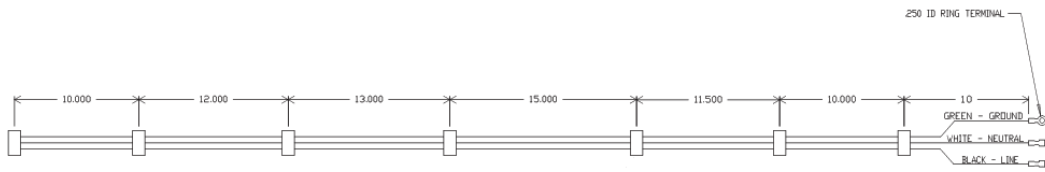
GRILL SUBASSEMBLY





Item	Part No.	Name	Qty	Uom	NOTES
1	A2007871	SHIELD GRATE BRACKET	1	EA	NO LONGER AVAILABLE
2	A20010162	SHIELD BRACE	1	EA	
3	A2001132	REAR GRILL BURNER BRKT (VGRT)	1	EA	
4	PB050077	GRILL BURNER	1	EA	
5	B20010163	HEAT DEFLECTOR	1	EA	
6	A2001855	GRILL BACK - (VGRC605)	1	EA	
7	A2001863	GRILL BTM SHIELD (VGRC605)	1	EA	
8	A1007861	Griddle Venturi Cover	1	EA	Not available online / Call for pricing and availability
9	PB020025	TUBING-GRILL (REVISED) REP PB020021	1	EA	
10	A2001631	GRILL BOX FRONT (VGRC)	1	EA	
11	PD020002	10 X 1/2 PH.TR.HD.SMS.	12	EA	
12	A2007863	GRILL BOX	1	EA	NO LONGER AVAILABLE, Not available online / Call for pricing and availability
13	A2001633	GRILL FRONT SPARKER BRKT (VGRC)	1	EA	
14	B2009846	HEAT DEFLECTOR	1	EA	
15	PA020028	SPARK IGNITER	1	EA	
16	PD020004	10X3/8PH.HD.TYPE 25 REPL PD040125	2	EA	
17	G30012657	FLAME SHIELD ASSEMBLY	1	EA	

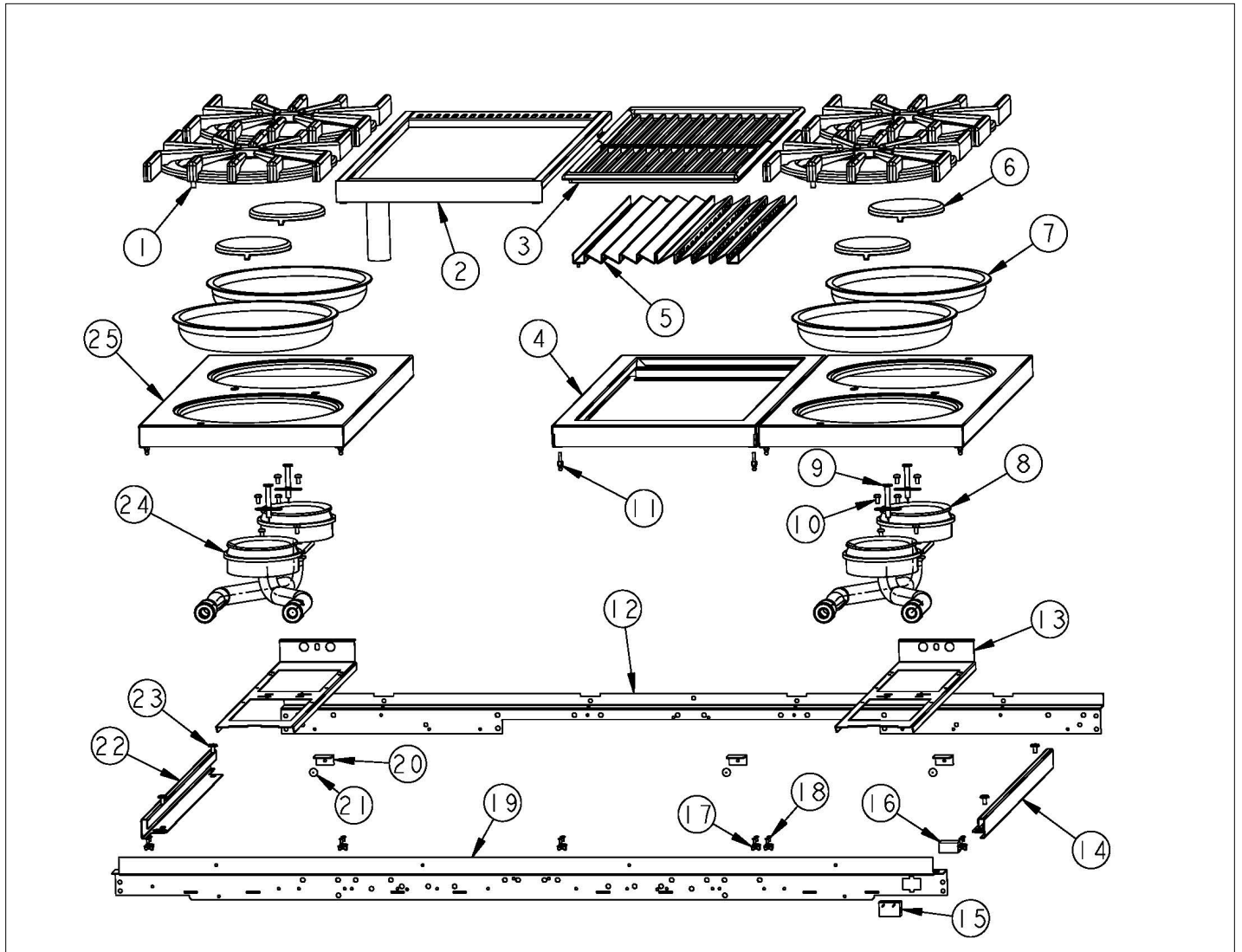
1





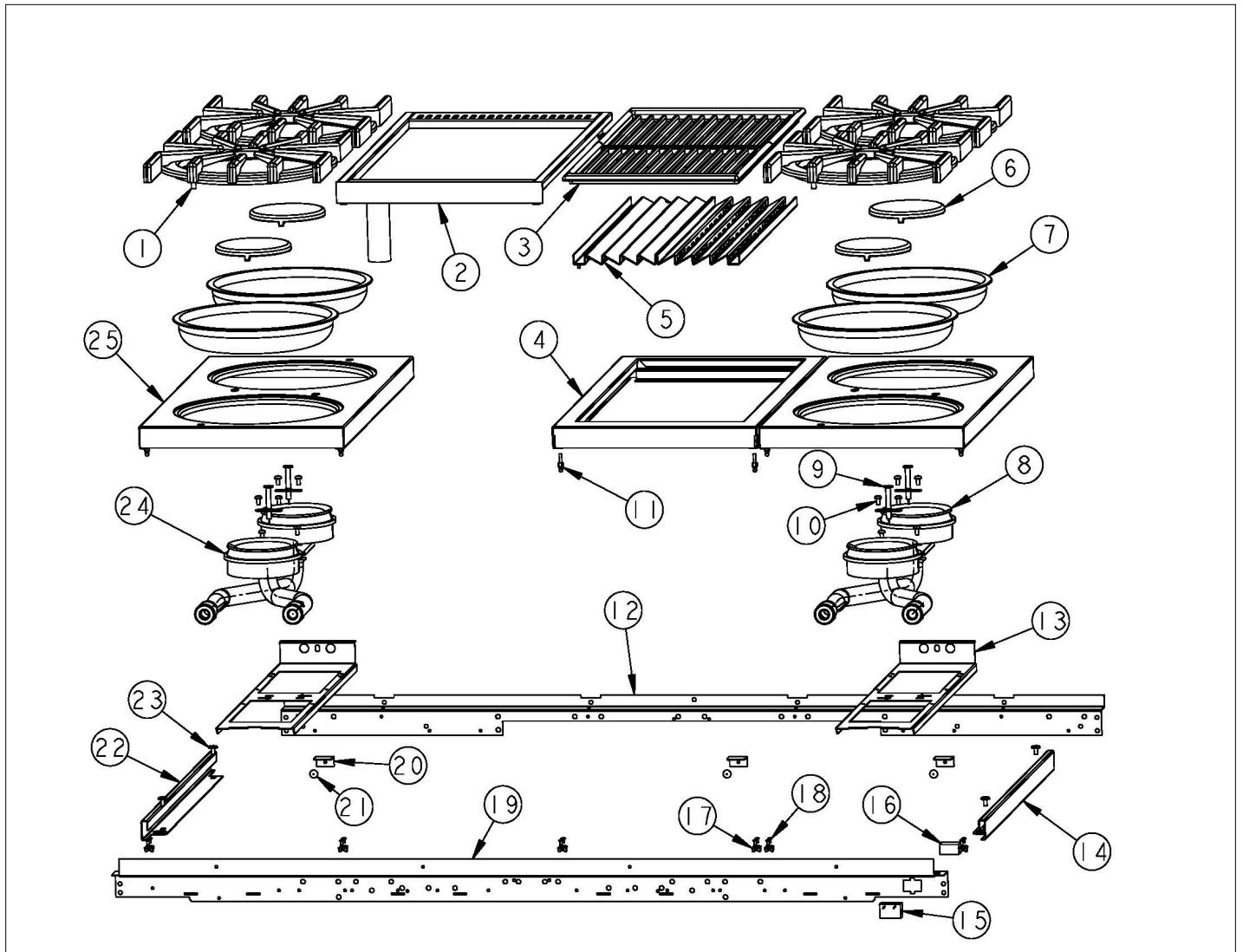
Item	Part No.	Name	Qty	Uom	NOTES
1	PE070891	IRIS HARNESS - 48"	1	EA	

## SURFACE COOKING AREA





Item	Part No.	Name	Qty	Uom	NOTES
1	PA060037	GRATE BK REPL PA060024 (GEN.#2)	4	EA	
2	003210-000	12 OPEN GRIDDLE FRAME WELD ASSY	1	EA	
3	PA060058	GRILL GRATE - MATT *BK* RE PA060028	2	EA	
4	G9101182BK	GRILL GRATE SUPT (VGRT) *BK*	1	EA	
Not Shown	G9101182WH	GRILL GRATE SUPT (VGRT) *WH*	1	EA	
5	E9101130BK	GRILL SMOKE GENERATOR	2	EA	
6	PA080015	BURNER CAP-VGRT *BK*	4	EA	
7	PA030002BK	BURNER BOWL (VGRT) **BK**	4	EA	
Not Shown	PA030002WH	BURNER BOWL (VGRT) **WH**	4	EA	
8	PA080036	TOP BURNER REAR REPL PA080008	2	EA	
9	PA020028	SPARK IGNITER	4	EA	
10	PD020004	10X3/8PH.HD.TYPE 25 REPL PD040125	8	EA	
11	PD010017	BALL STUD (VGRT)	12	EA	
12	A2001908	REAR BURNER SUPT -48" (VGRT/RC)	1	EA	Not available online / Call for pricing and availability
13	A2001112	BURNER SUPT (VGRT)	2	EA	
14	B2001915	SIDE TRIM-RH (VGRT)	1	EA	
Not Shown	C9301915BR	SIDE TRIM RH (VGRT) *BR*	1	EA	
15	000573-000	POWER JUMPER WIRE	1	EA	
16	PE070071	Disconnect Block - Female	1	EA	
17	PD010016	BALL STUD FASTEN	3	EA	
18	PC040010	POP RIVET (.063/GR -.125) GAMD42-A	1	EA	
19	A2001104	FRONT SUPT (48")	1	EA	NO LONGER AVAILABLE
20	A2001147	GRATE SUPT ANGLE (VGRT)	3	EA	
21	PD020002	10 X 1/2 PH.TR.HD.SMS.	3	EA	
22	B2001916	SIDE TRIM-LH (VGRT)	1	EA	

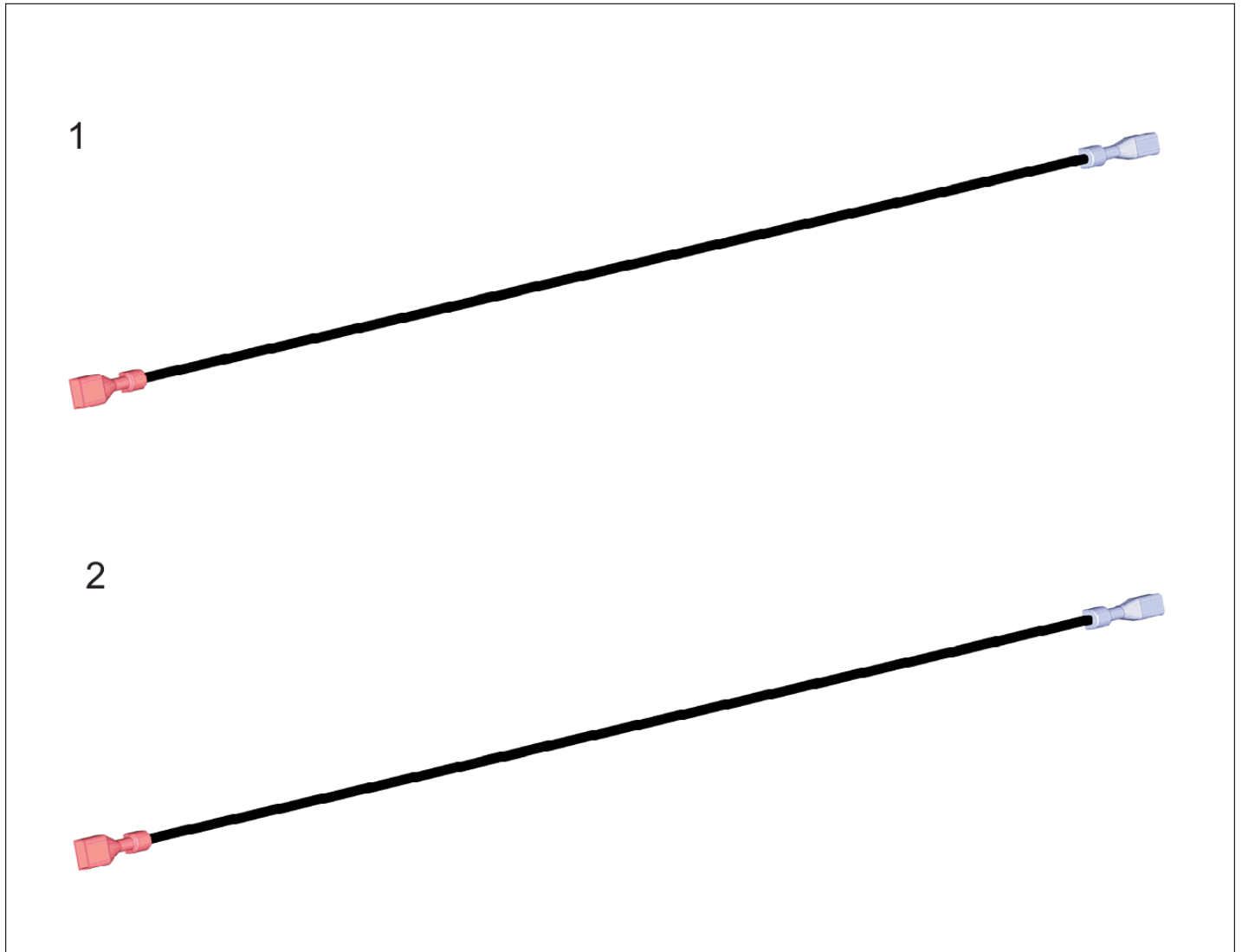






Item	Part No.	Name	Qty	Uom	NOTES
Not Shown	C9301916BR	SIDE TRIM LH (VGRT) *BR*	1	EA	
23	PD020033	SRW-#10-24X1/2"T(23)PH.WFR HD (NKL)	4	EA	
24	PA080037	TOP BURNER FRONT REPL PA080007	2	EA	
25	G50013584BK	GRATE SUPPORT SERVICE KIT (BK)	2	EA	
Not Shown	G50013584WH	GRATE SUPPORT SERVICE KIT (WH)	2	EA	

TOP BURNER IGNITER WIRES





Item	Part No.	Name	Qty	Uom	NOTES
1	000647-000	IRIS IGNITOR WIRE, FRONT BURNER	1	EA	
2	006766-000	IRIS IGNITOR WIRE, BACK BURNER	1	EA	



Appendix A:Pages Index

000837-000 ..... 1  
000878-000 ..... 2  
000879-000 ..... 3  
BURNER BOX INTERIOR ..... 4  
CONTROL AREA ..... 5  
DRIP TRAY ..... 6  
GRIDDLE SUBASSEMBLY ..... 7  
GRILL IGNITER WIRE ..... 8  
GRILL SUBASSEMBLY ..... 9  
PE070891 ..... 10  
SURFACE COOKING AREA ..... 11  
TOP BURNER IGNITER WIRES ..... 12



## Appendix B:Parts Index

000573-000	4, 11	A2006748	4
000647-000	12	A2007862	7
000649-000	8	A2007863	9
000837-000	1	A2007867	7
000878-000	2	A2007871	9
000879-000	3	A2009580	7
001394-042	4	B20010163	9
001394-043	4	B2001915	11
001396-040	4	B2001916	11
001396-044	4	B2009846	9
002152-000	4	B9202379	5
002153-000	4	C9202379AL	5
002569-000	5, 5	C9202379BK	5
002884-000	5	C9202379BT	5
003210-000	11	C9202379BU	5
003515-000	5	C9202379CB	5
003536-000	5	C9202379EP	5
006766-000	12	C9202379FG	5
007147-000	5, 7	C9202379GG	5
027347-000	1	C9202379LE	5
050172-000	5	C9202379MJ	5
A1001138	5	C9202379SG	5
A1007861	7, 9	C9202379VB	5
A1008487	4	C9202379WH	5
A20010162	9	C9301915BR	11
A20010470	7	C9301916BR	11
A20010693	6	E9101130BK	11
A2001104	11	G30010697	6
A2001112	11	G30012657	9
A20011240	4	G30013336	6
A2001132	9	G3009843	5
A2001147	11	G50013584BK	11
A20012659	4	G50013584WH	11
A2001300	7	G9101182BK	11
A2001631	9	G9101182WH	11
A2001633	9	G93011461PVD	6
A2001855	9	J2101749	6
A2001863	9	PA010122	5
A2001908	11	PA010123	5
A2006747	4	PA020028	9, 11
		PA020058	5



PA030002BK	11	PD020079	6
PA030002WH	11	PD030005	5
PA050086	4	PD030006	5
PA060037	11	PD040004	6
PA060058	11	PD040028	6
PA070003	5	PE010142	5
PA080015	11	PE010143	5
PA080036	11	PE010144	5
PA080037	11	PE010145	5
PA080075	4	PE050023	5
PB010004	7	PE050024	5
PB010103	5	PE070071	4, 11
PB010104	5	PE070128	4
PB010206	5	PE070891	10
PB010207	5	PK000007	4
PB010209	5	PK000008	4
PB010264	5		
PB020025	9		
PB020116	7		
PB020192	4		
PB020193	4		
PB040001	7		
PB040192	7		
PB040194	4		
PB040213	7		
PB040217	4		
PB050074	7		
PB050077	9		
PB070034	4		
PC040010	4, 11		
PD010003	5		
PD010012	5		
PD010016	11		
PD010017	11		
PD020002	4, 5, 7, 9, 11		
PD020004	9, 11		
PD020006	5		
PD020010	4		
PD020033	5, 11		
PD020067	5		
PD020076	4		