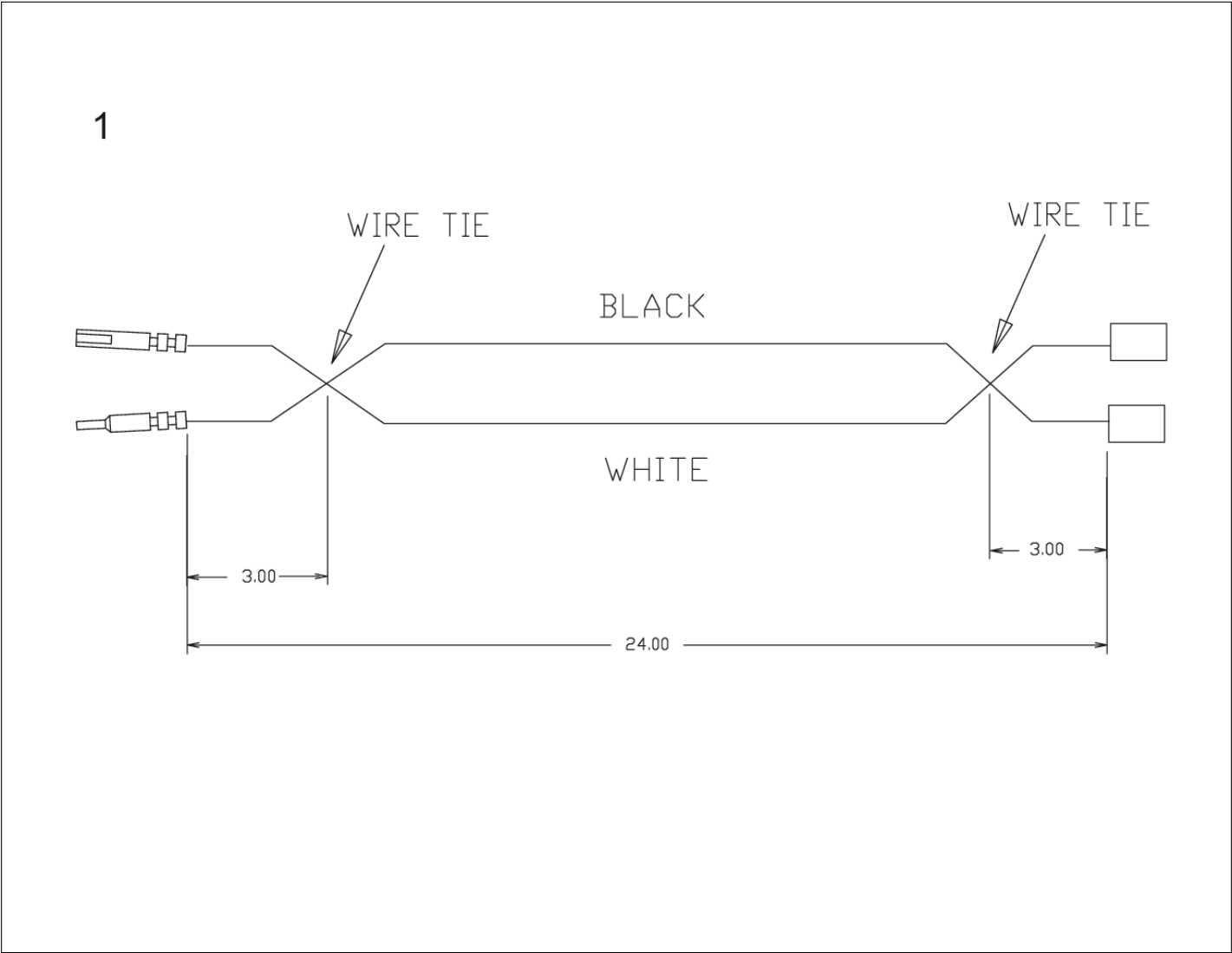


**VGRT362-6BAFTER07-09-07**

000837-000 .....	1
BURNER BOX INTERIOR .....	2
CONTROL AREA .....	3
IGNITER WIRES .....	4
PE070890 .....	5
SURFACE COOKING AREA .....	6
WIRING DIAGRAM .....	7
Appendix A:Pages Index .....	A
Appendix B:Parts Index .....	B

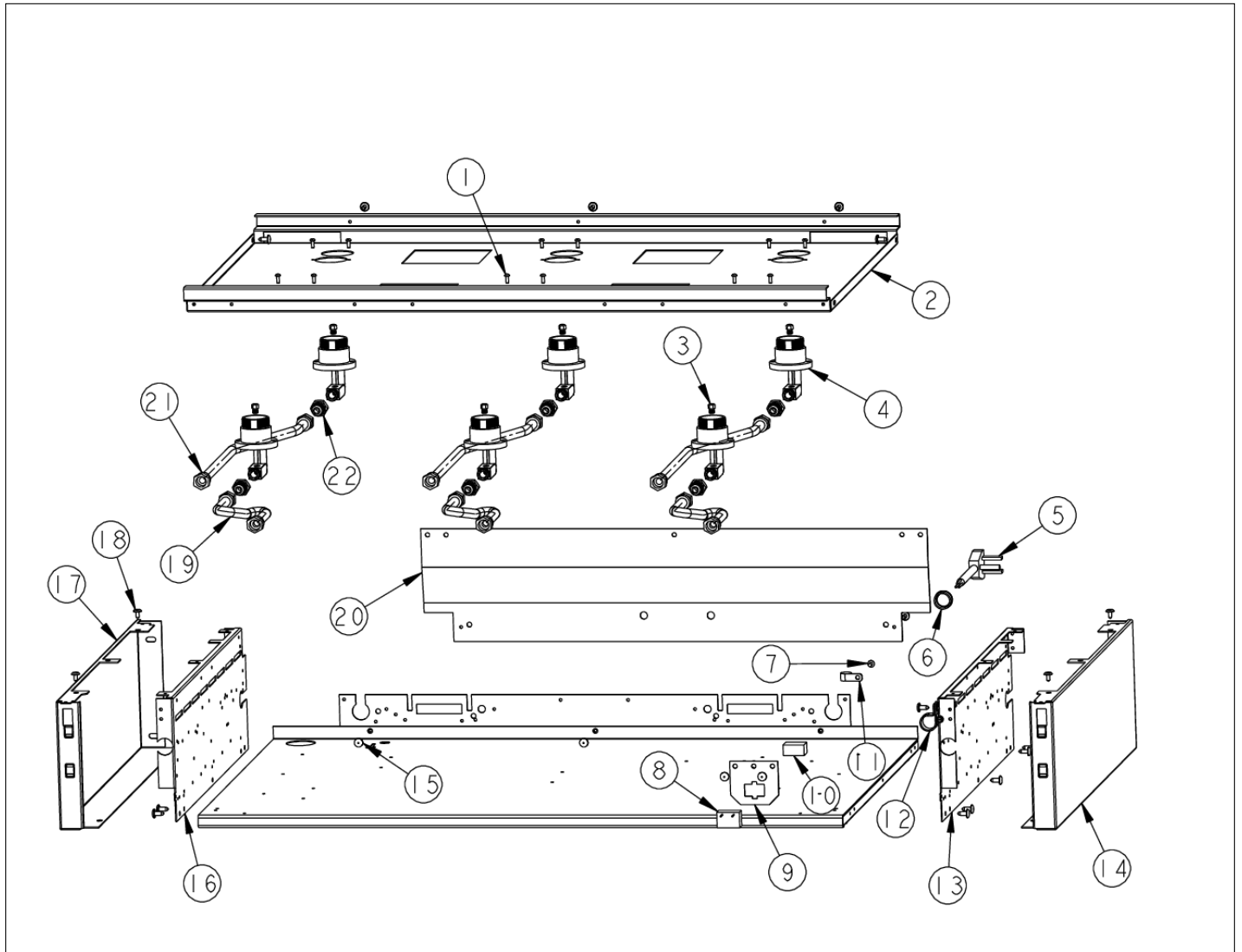






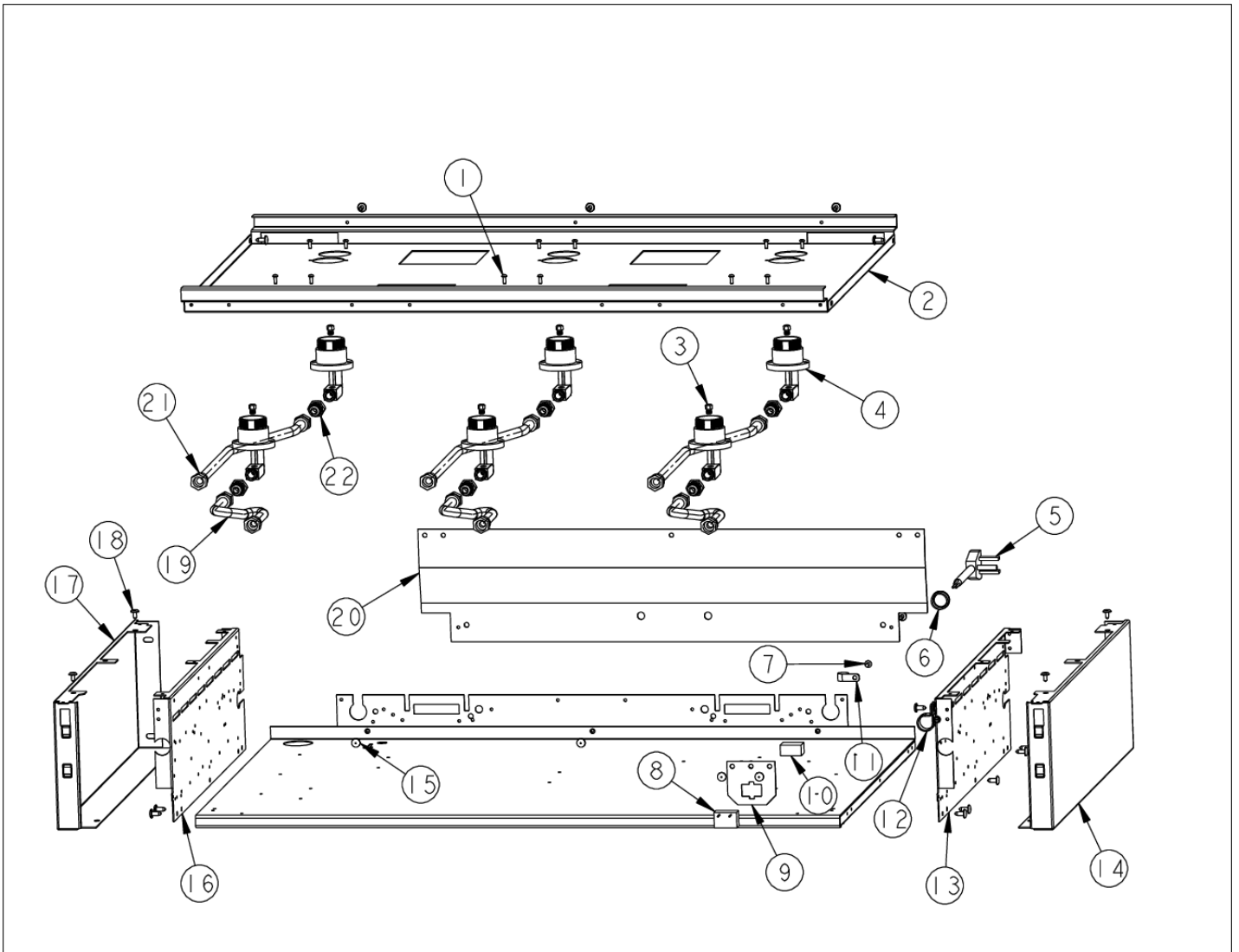
Item	Part No.	Name	Qty	Uom	NOTES
1	000837-000	VGRT SUPPLY CORD JUMPER	1	EA	Not available online / Call for pricing and availability
Not Shown	NOTE	(BEFORE 10/4/11)		EA	
NI	027347-000	SUPPLY CORD JUMPER	1	EA	
Not Shown	NOTE	(ON OR AFTER 10/4/11)		EA	

BURNER BOX INTERIOR





Item	Part No.	Name	Qty	Uom	NOTES
1	PD020076	6-32 X 3/8" PHILL PAN MS	1	EA	
2	A2007859	Burner Support (6B)	1	EA	Not available online / Call for pricing and availability
3	PB040194	Orifice - Nat.	1	EA	
Not Shown	NOTE	(Before 12/18/07)		EA	
Not Shown	001396-040	15K NG ORIFICE	1	EA	
Not Shown	NOTE	(After 12/18/07)		EA	
Not Shown	PB040217	L.P. ORIFICE	1	EA	
Not Shown	NOTE	(Before 12/18/07)		EA	
Not Shown	001396-044	13.5K LP ORIFICE	1	EA	
Not Shown	NOTE	(After 12/18/07)		EA	
4	PA080075	Burner Body	1	EA	
Not Shown	NOTE	(Before 12/18/07)		EA	
Not Shown	001394-042	15000 BTU NAT JETHOLDER	1	EA	
Not Shown	NOTE	(After 12/18/07)		EA	
Not Shown	001394-043	13500 BTU LP JETHOLDER	1	EA	
Not Shown	NOTE	(After 12/18/07)		EA	
5	PE070128	Supply Cord	1	EA	
6	PD040005	SNAP BUSHING - 7/8"	1	EA	
7	PD020010	10 X 3/8 GREEN GROUNDING SCREW	1	EA	
8	000573-000	POWER JUMPER WIRE	1	EA	
9	A1008487	SERVICE DISCONNECT BRACKET	1	EA	
10	PE070071	Disconnect Block - Female	1	EA	
11	PD030148	CLAMP CABLE ALUMINUM .500 DIA.	1	EA	
12	PD030109	INSULATED CLAMP	1	EA	

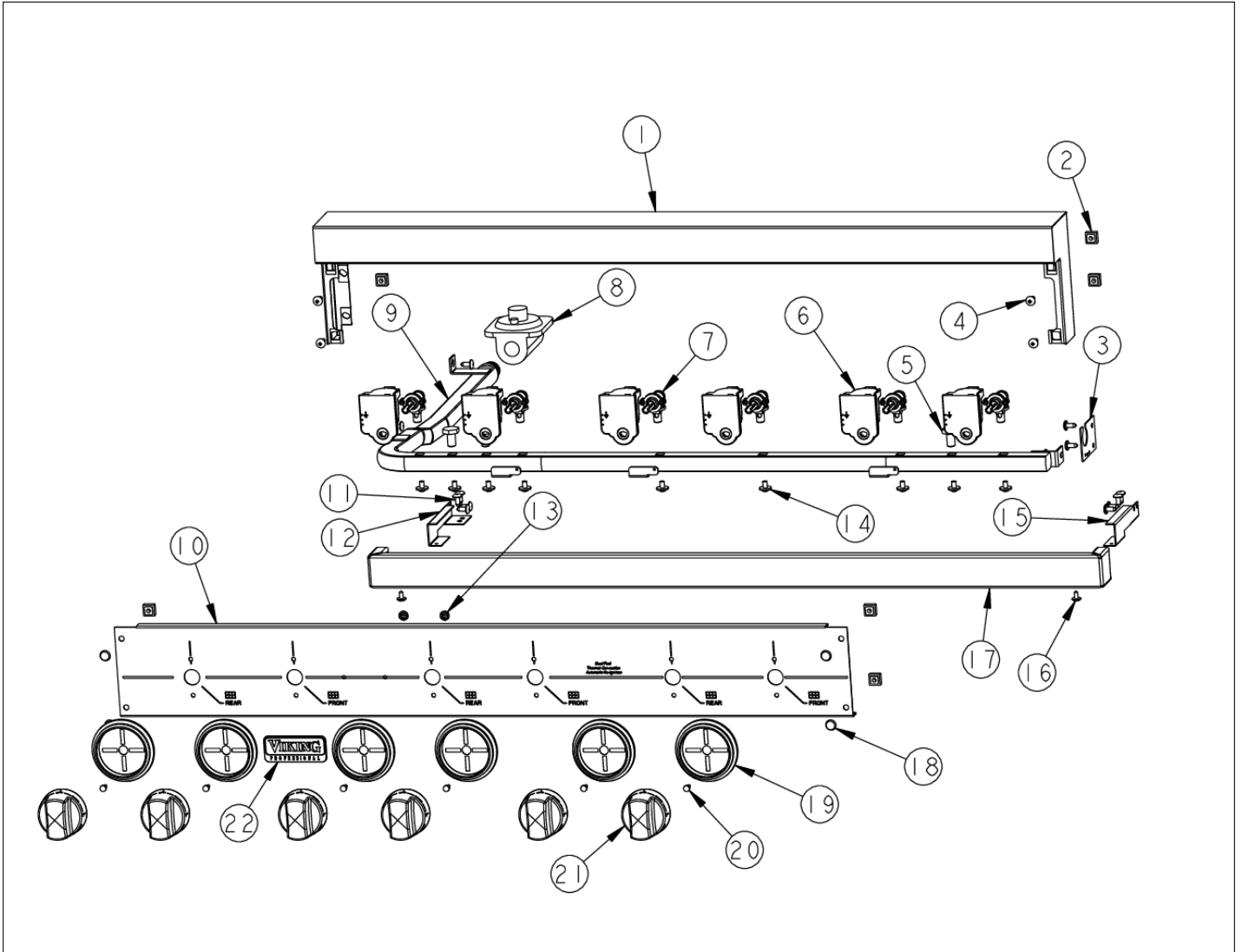






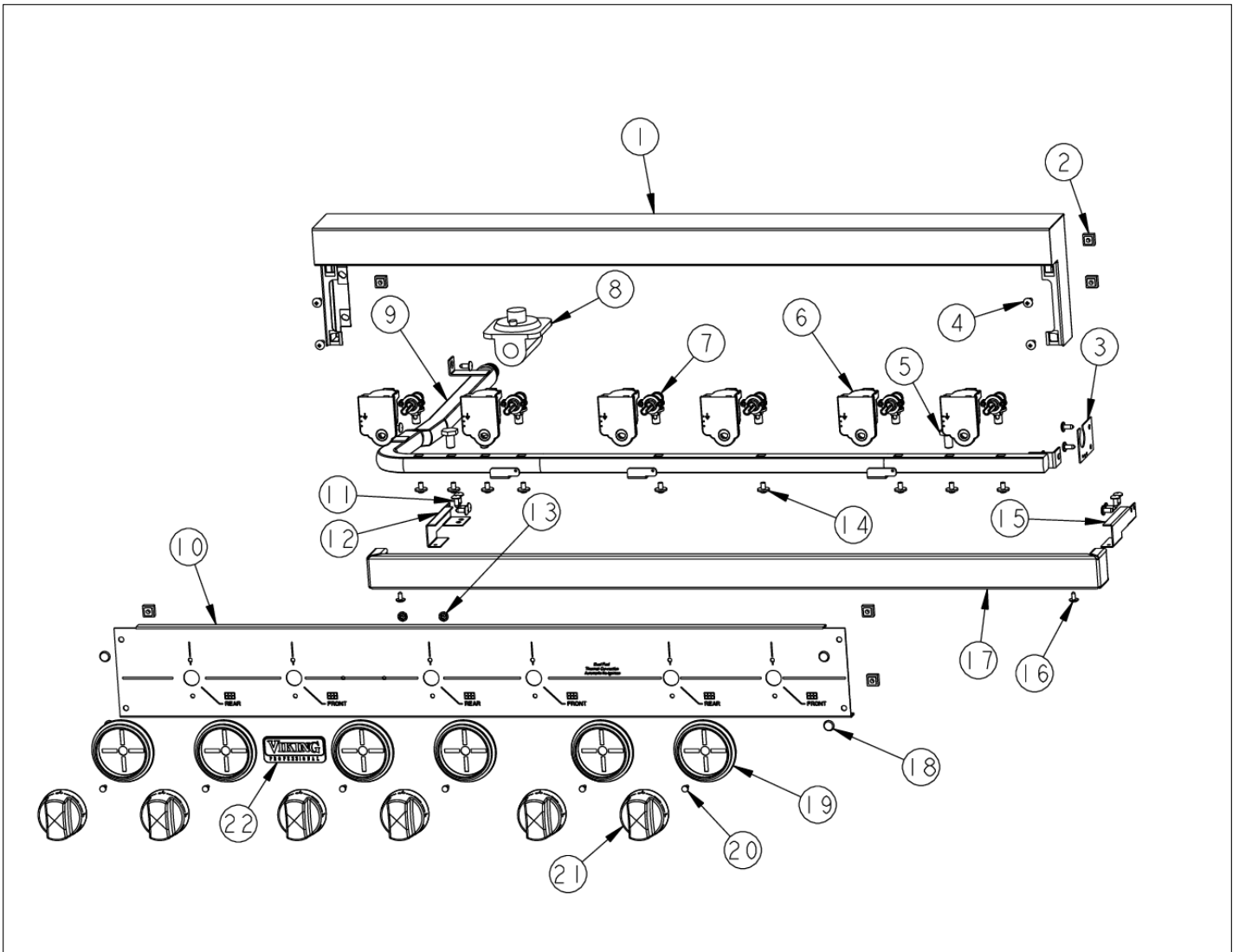
Item	Part No.	Name	Qty	Uom	NOTES
13	A2006747	Burner Box Side - RH	1	EA	
14	B2007856	Side Panel - RH	1	EA	
15	PD020002	10 X 1/2 PH.TR.HD.SMS.	1	EA	
16	A2006748	Burner Box Side - LH	1	EA	
17	B2007857	Side Panel - LH	1	EA	
18	PD020032	SRW-8(A)X3/8"PH.WFR HD 7/16DIA*NICL	1	EA	
19	PB020192	10" FLEX TUBING W/CONNECTORS	1	EA	
20	A2007860	REAR SHIELD IC367	1	EA	
21	PB020193	16" FLEX TUBING W/CONNECTORS	1	EA	
22	PA050086	5/8" MALE FLARE FITTING	1	EA	Not available online / Call for pricing and availability

CONTROL AREA



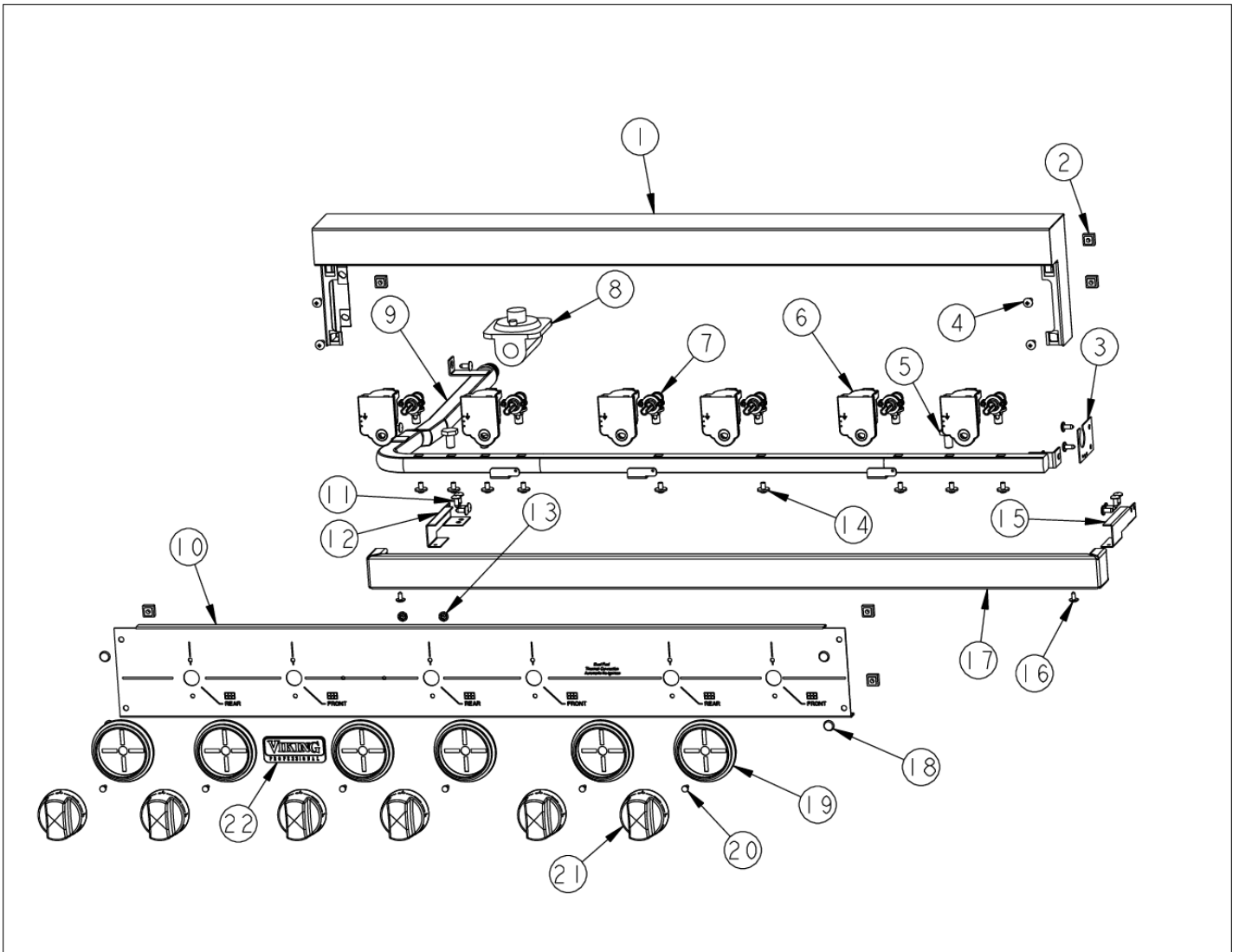


Item	Part No.	Name	Qty	Uom	NOTES
1	G3009151	Landing Ledge Assembly	1	EA	
2	PD030005	SELF RETAINING NUT	1	EA	
3	A1001138	MANIFOLD BRKT	1	EA	NO LONGER AVAILABLE, Not available online / Call for pricing and availability
4	PD010003	10-24 X 1/2 PH.TR.HD.SERD.M.S.	1	EA	
5	PA010012	ROPER PLUG	1	EA	
6	PA020058	IRIS SINGLE SPARK MODULE	1	EA	
7	003517-000	PA010158 VALVE AND BOLT KIT	1	EA	
8	PA070003	PRESSURE REGULATOR	1	EA	
9	002158-000	36" UNIVERSAL MANIFOLD	1	EA	
10	B9202383	Control Panel - 6B (SS)	1	EA	
Not Shown	C9202383AL	CONTROL PANEL VGRT360-6B *AL* SILK SCR	1	EA	NO LONGER AVAILABLE, Not available online / Call for pricing and availability
Not Shown	C9202383BK	Control Panel - 6B (BK)	1	EA	
Not Shown	C9202383BT	CONTROL PANEL VGRT360-6B *BT* SILK SCR	1	EA	NO LONGER AVAILABLE, Not available online / Call for pricing and availability
Not Shown	C9202383BU	CONTROL PANEL VGRT360-6B *BU* SILK SCR	1	EA	NO LONGER AVAILABLE, Not available online / Call for pricing and availability
Not Shown	C9202383CB	CONTROL PANEL VGRT360-6B *CB* SILK SCR	1	EA	NO LONGER AVAILABLE, Not available online / Call for pricing and availability
Not Shown	C9202383EP	CONTROL PANEL VGRT360-6B *EP* SILK SCR	1	EA	NO LONGER AVAILABLE, Not available online / Call for pricing and availability
Not Shown	C9202383FG	CONTROL PANEL - FG	1	EA	Not available online / Call for pricing and availability





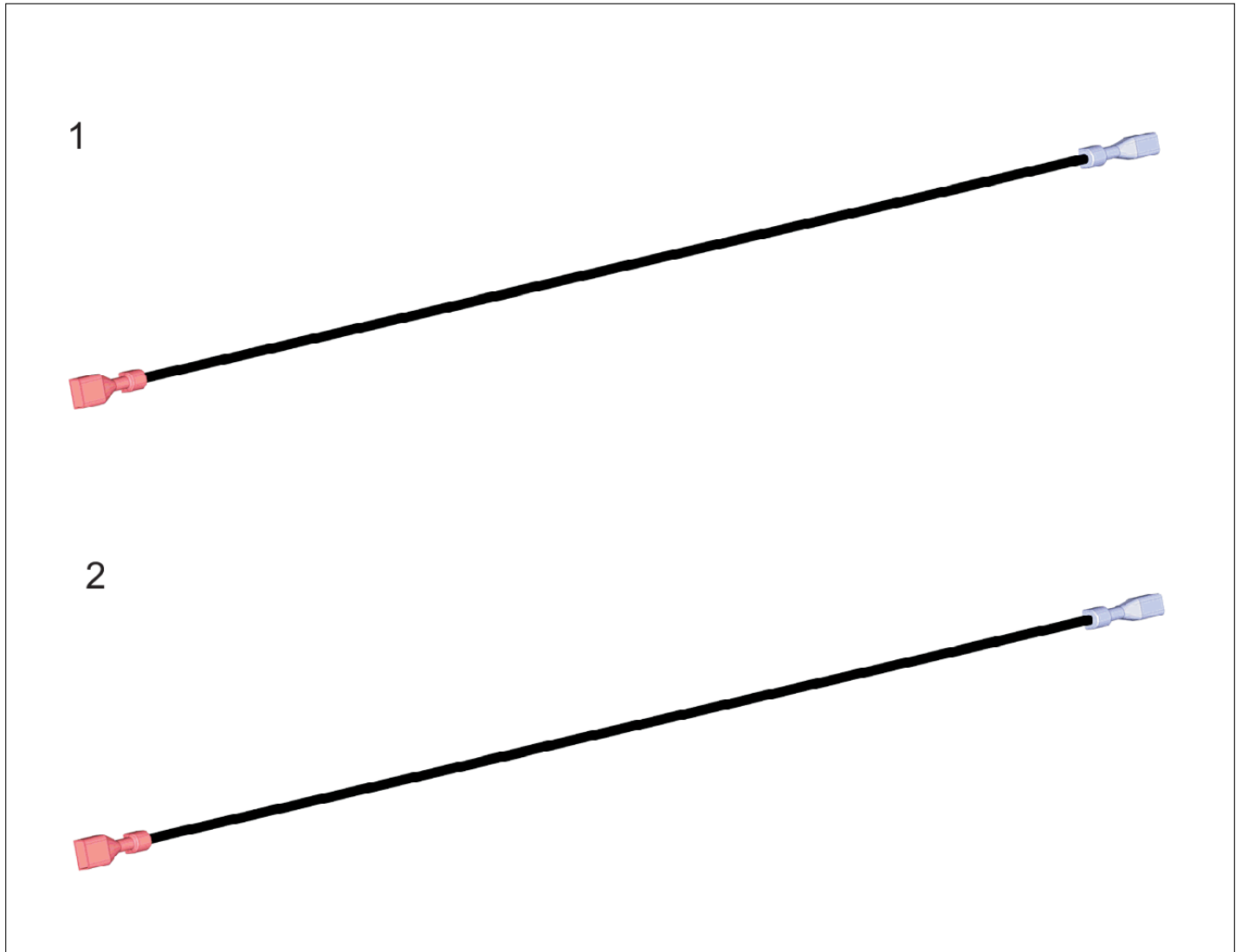
Item	Part No.	Name	Qty	Uom	NOTES
Not Shown	C9202383GG	CONTROL PANEL VGRT360-6B *GG* SILK SCR	1	EA	NO LONGER AVAILABLE, Not available online / Call for pricing and availability
Not Shown	C9202383LE	CONTROL PANEL VGRT360-6B *LE* SILK SCR	1	EA	NO LONGER AVAILABLE, Not available online / Call for pricing and availability
Not Shown	C9202383MJ	CONTROL PANEL VGRT360-6B *MJ* SILK SCR	1	EA	NO LONGER AVAILABLE, Not available online / Call for pricing and availability
Not Shown	C9202383SG	CONTROL PANEL VGRT360-6B *SG* SILK SCR	1	EA	NO LONGER AVAILABLE, Not available online / Call for pricing and availability
Not Shown	C9202383VB	CONTROL PANEL VGRT360-6B *VB* SILK SCR	1	EA	NO LONGER AVAILABLE, Not available online / Call for pricing and availability
Not Shown	C9202383WH	Control Panel - 6B (WH)	1	EA	Not available online / Call for pricing and availability
11	PD020002	10 X 1/2 PH.TR.HD.SMS.	1	EA	
12	A20011466	FALSE DRIP TRAY HANDLE BRKT. LH	1	EA	NO LONGER AVAILABLE
13	PD030006	CAPPED WASHER PAL NUT	1	EA	
14	PD010012	1/4 x 3/8 VALVE BOLT	1	EA	
15	A20011467	FALSE DRIP TRAY HANDLE BRKT. RH	1	EA	NO LONGER AVAILABLE
16	PD020032	SRW-8(A)X3/8"PH.WFR HD 7/16DIA*NICL	1	EA	
17	B30011469	False Tray Handle - 6B (SS)	1	EA	
Not Shown	G93011459PVD	False Tray Handle - 6B (BR) - NLA	1	EA	
18	PD020033	SRW-#10-24X1/2"T(23)PH.WFR HD (NKL)	1	EA	
19	050172-000	BEZEL, KNOB	1	EA	
Not Shown	PB010209	Bezel - BR	1	EA	
20	PD020067	' #6 X 3/8" PAN PHIL. TEK *SS*	1	EA	





Item	Part No.	Name	Qty	Uom	NOTES
21	PB010206	TOP BURNER KNOB BK	1	EA	
Not Shown	PB010207	TOP BURNER KNOB WH	1	EA	Not available online / Call for pricing and availability
22	PE010142	3" VIKING LOGO BLACK/CHROME	1	EA	
Not Shown	PE010143	3" LOGO BK/BR	1	EA	
Not Shown	PE010144	3" LOGO *WH*CHROME	1	EA	NO LONGER AVAILABLE
Not Shown	PE010145	LOGO - WH / BR	1	EA	

IGNITER WIRES

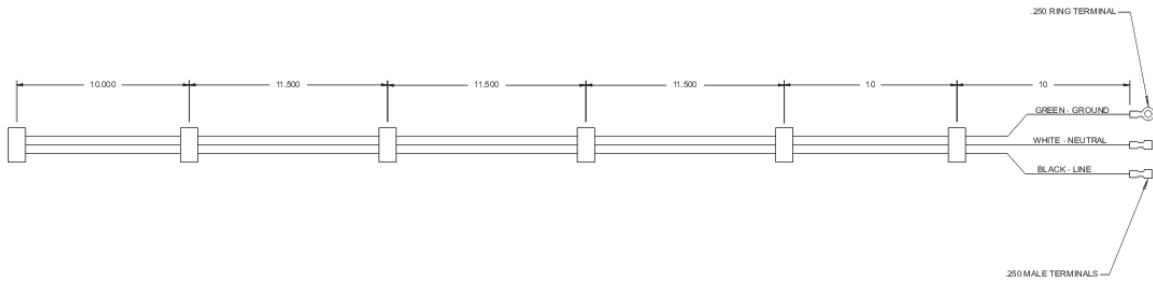






Item	Part No.	Name	Qty	Uom	NOTES
1	000647-000	IRIS IGNITOR WIRE, FRONT BURNER	1	EA	
2	006766-000	IRIS IGNITOR WIRE, BACK BURNER	1	EA	

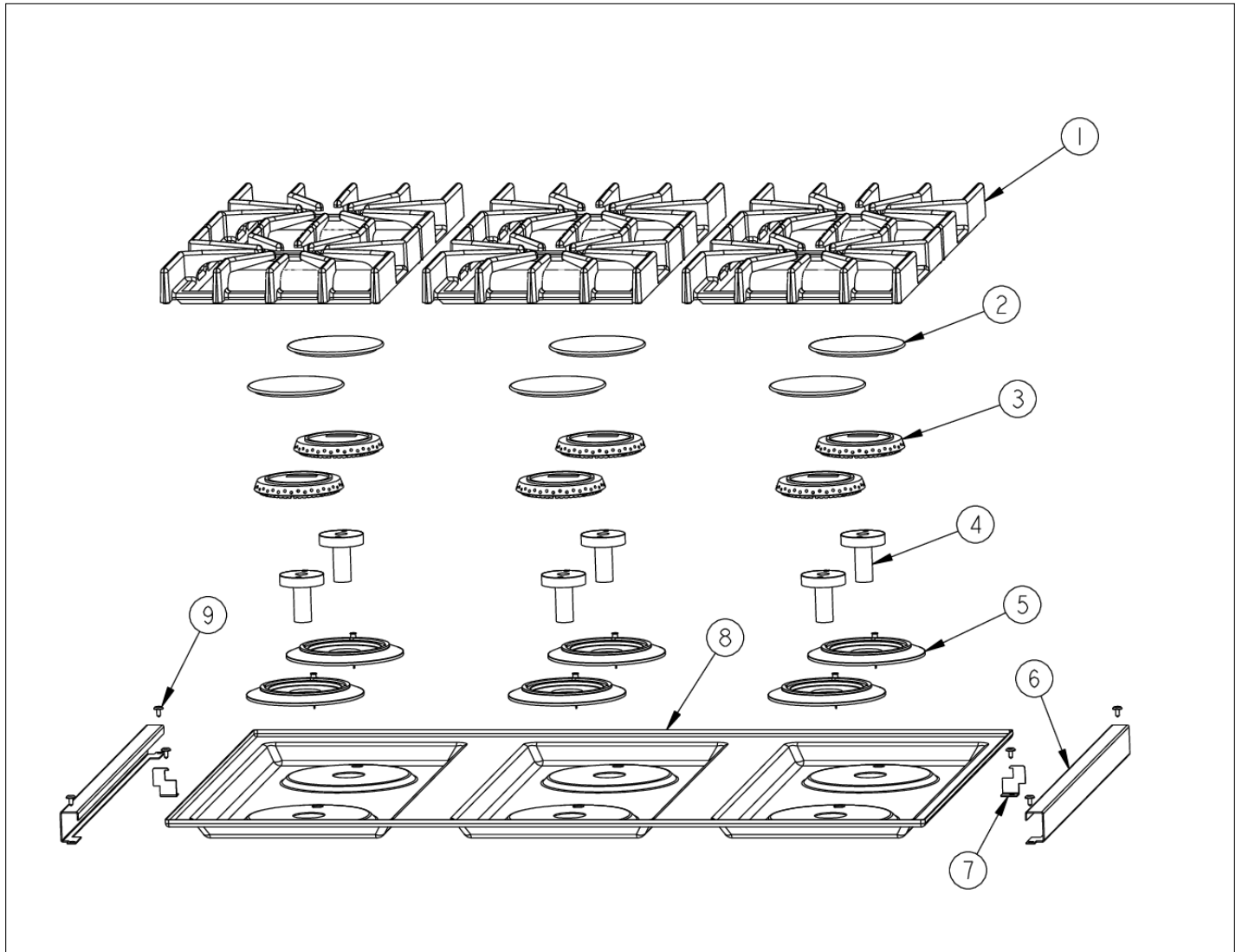
1





Item	Part No.	Name	Qty	Uom	NOTES
1	PE070890	IRIS HARNESS - 36"	1	EA	

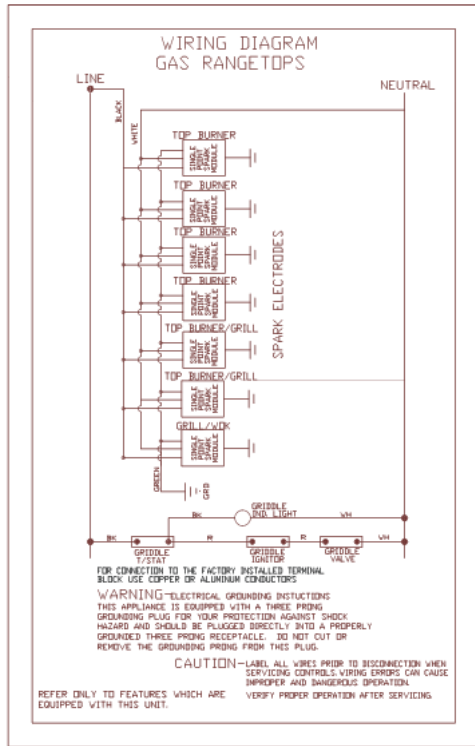
SURFACE COOKING AREA





Item	Part No.	Name	Qty	Uom	NOTES
1	PA060054	Burner Grate - BK	1	EA	
2	PA080083	D BURNER CAP *MATTE BLACK*	1	EA	
3	PB050063	Burner Head	1	EA	
Not Shown	NOTE	(Before 12/18/07)		EA	
001386-000	018200-000	ADJUSTED SEALED BURNER HEAD	1	EA	
Not Shown	NOTE	(After 12/18/07)		EA	
4	PA010100	Burner Venturi	1	EA	
Not Shown	NOTE	(Before 12/18/07)		EA	
5	PB050081	BURNER BASE ASM	1	EA	
Not Shown	NOTE	(INCLUDES IGNITER) - BEFORE 12/18/07		EA	
Not Shown	003322-040	SEALED BURNER BASE, TURNED FINISH	1	EA	
Not Shown	NOTE	(INCLUDES IGNITER) - AFTER 12/18/07		EA	
6	B2007851	Side Trim - SS	1	EA	
Not Shown	C9307851BR	Side Trim - BR	1	EA	Not available online / Call for pricing and availability
7	A2007858	SIDE TRIM BRKT	1	EA	
8	E9108439BK	MAIN TOP (VGRT3626B) *BK*	1	EA	
Not Shown	E9108439WH	Main Top Assembly (6B) - WH - NLA	1	EA	
9	PD020032	SRW-8(A)X3/8"PH.WFR HD 7/16DIA*NICL	1	EA	
NI	009197-000	#6-32 X 5/8 18-8 SS NC SOC CAP	1	EA	
Not Shown	NOTE	(After 12/18/07)		EA	

## WIRING DIAGRAM





Appendix A:Pages Index

000837-000 ..... 1  
BURNER BOX INTERIOR ..... 2  
CONTROL AREA ..... 3  
IGNITER WIRES ..... 4  
PE070890 ..... 5  
SURFACE COOKING AREA ..... 6  
WIRING DIAGRAM ..... 7



## Appendix B:Parts Index

000573-000	2	C9202383VB	3
000647-000	4	C9202383WH	3
000837-000	1	C9307851BR	6
001394-042	2	E9108439BK	6
001394-043	2	E9108439WH	6
001396-040	2	G3009151	3
001396-044	2	G93011459PVD	3
002158-000	3	PA010012	3
003322-040	6	PA010100	6
003517-000	3	PA020058	3
006766-000	4	PA050086	2
009197-000	6	PA060054	6
018200-000	6	PA070003	3
027347-000	1	PA080075	2
050172-000	3	PA080083	6
A1001138	3	PB010206	3
A1008487	2	PB010207	3
A20011466	3	PB010209	3
A20011467	3	PB020192	2
A2006747	2	PB020193	2
A2006748	2	PB040194	2
A2007858	6	PB040217	2
A2007859	2	PB050063	6
A2007860	2	PB050081	6
B2007851	6	PD010003	3
B2007856	2	PD010012	3
B2007857	2	PD020002	2, 3
B30011469	3	PD020010	2
B9202383	3	PD020032	2, 3, 6
C9202383AL	3	PD020033	3
C9202383BK	3	PD020067	3
C9202383BT	3	PD020076	2
C9202383BU	3	PD030005	3
C9202383CB	3	PD030006	3
C9202383EP	3	PD030109	2
C9202383FG	3	PD030148	2
C9202383GG	3	PD040005	2
C9202383LE	3	PE010142	3
C9202383MJ	3	PE010143	3
C9202383SG	3	PE010144	3
		PE010145	3





PE070071 .....	2
PE070128 .....	2
PE070890 .....	5