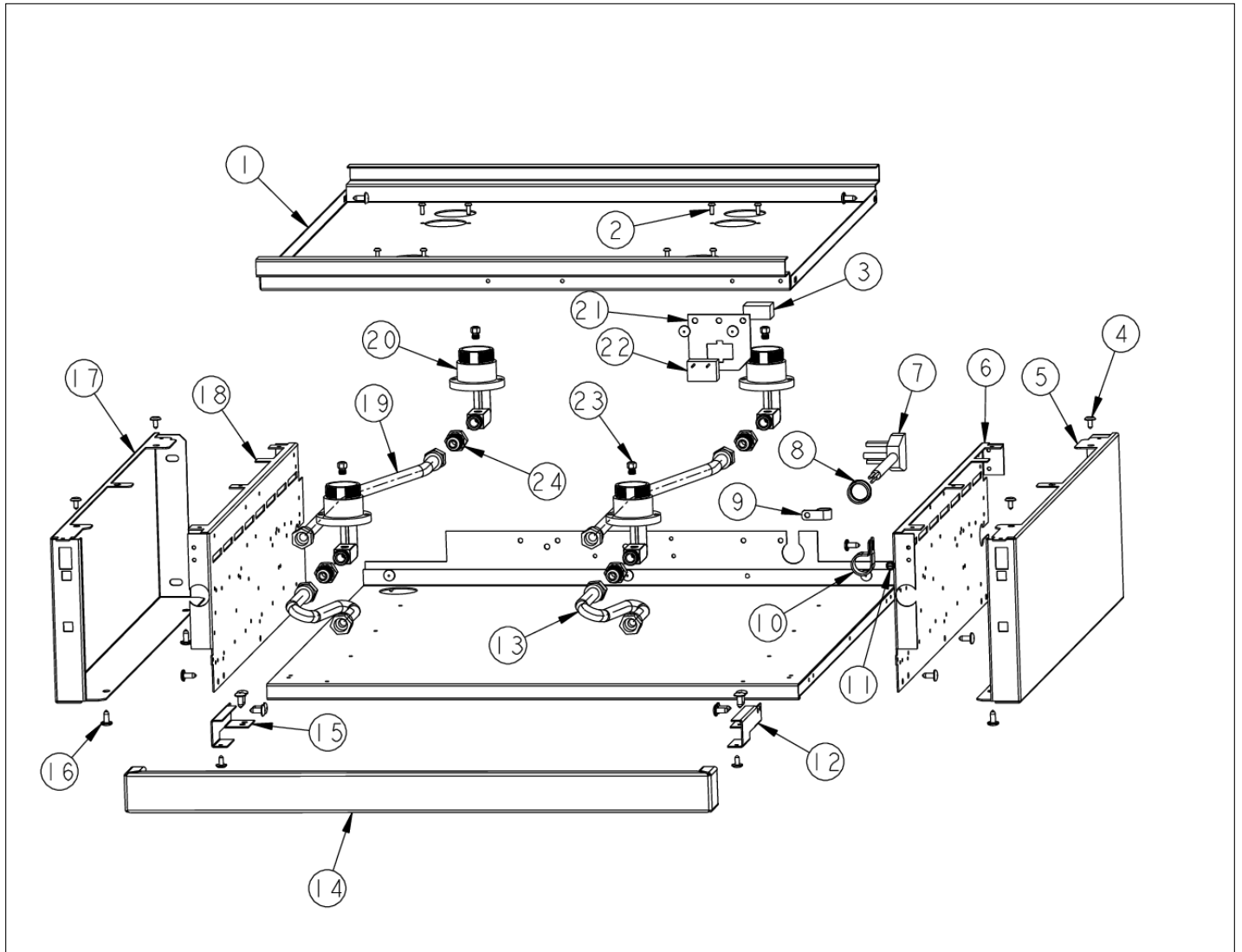


VGRT242

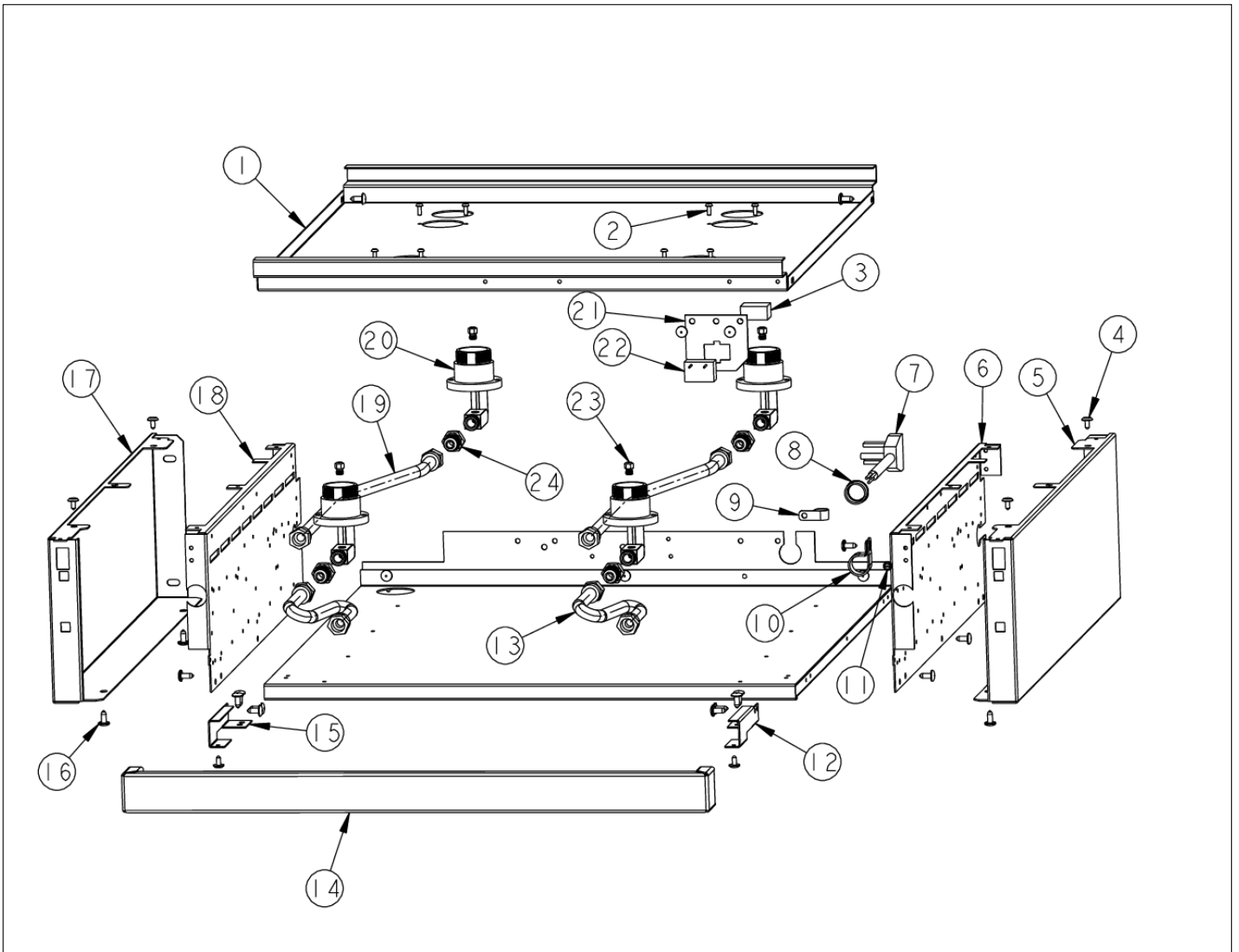
BURNER BOX INTERIOR	1
CONTROL AREA	2
IGNITER WIRES	3
PE070889 HARNESS	4
SURFACE COOKING AREA	5
Appendix A:Pages Index	A
Appendix B:Parts Index	B

BURNER BOX INTERIOR





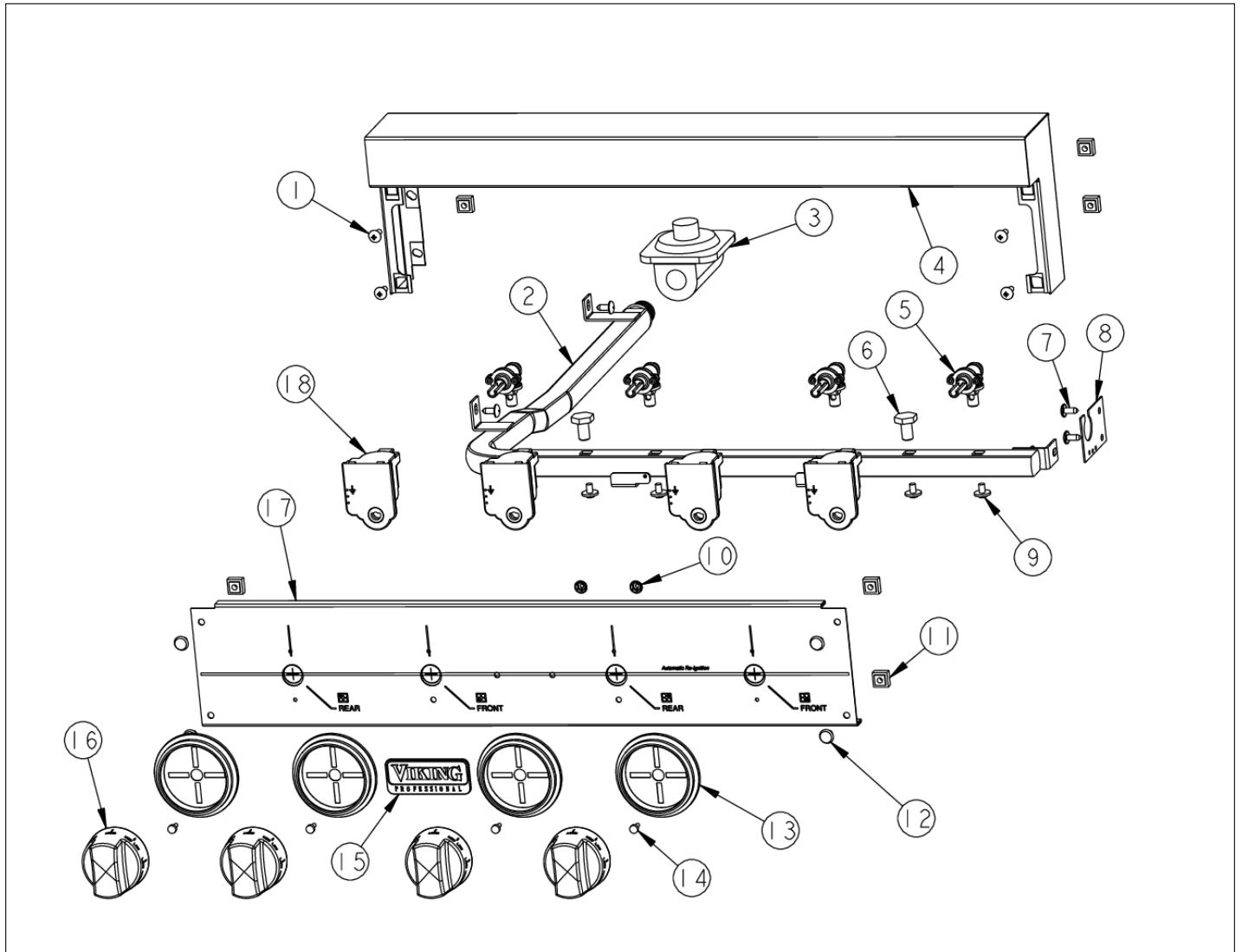
Item	Part No.	Name	Qty	Uom	NOTES
1	A20015344	BURNER SUPPORT - VGRT24"	1	EA	NO LONGER AVAILABLE, Not available online / Call for pricing and availability
2	PD020076	6-32 X 3/8" PHILL PAN MS	1	EA	
3	PE070071	Disconnect Block - Female	1	EA	
4	PD020032	SRW-8(A)X3/8"PH.WFR HD 7/16DIA*NICL	1	EA	
5	002152-000	SIDE PANEL, RH	1	EA	NO LONGER AVAILABLE, Not available online / Call for pricing and availability
6	A2006747	Burner Box Side - RH	1	EA	
7	PE070128	Supply Cord	1	EA	
8	PD040005	SNAP BUSHING - 7/8"	1	EA	
9	PD030148	CLAMP CABLE ALUMINUM .500 DIA.	1	EA	
10	PD030109	INSULATED CLAMP	1	EA	
11	PD020010	10 X 3/8 GREEN GROUNDING SCREW	1	EA	
12	A20011467	FALSE DRIP TRAY HANDLE BRKT. RH	1	EA	NO LONGER AVAILABLE
13	PB020192	10" FLEX TUBING W/CONNECTORS	1	EA	
14	G30010694	DRIP TRAY HANDLE ASSY 24" *SS*	1	EA	Not available online / Call for pricing and availability
15	A20011466	FALSE DRIP TRAY HANDLE BRKT. LH	1	EA	NO LONGER AVAILABLE
16	PD020002	10 X 1/2 PH.TR.HD.SMS.	1	EA	
17	002153-000	SIDE PANEL, LH - NLA	1	EA	NO LONGER AVAILABLE
18	A2006748	Burner Box Side - LH	1	EA	
19	PB020193	16" FLEX TUBING W/CONNECTORS	1	EA	
20	PA080075	Burner Body	1	EA	
Not Shown	NOTE	(Before 12/18/07)		EA	
Not Shown	001394-042	15000 BTU NAT JETHOLDER	1	EA	



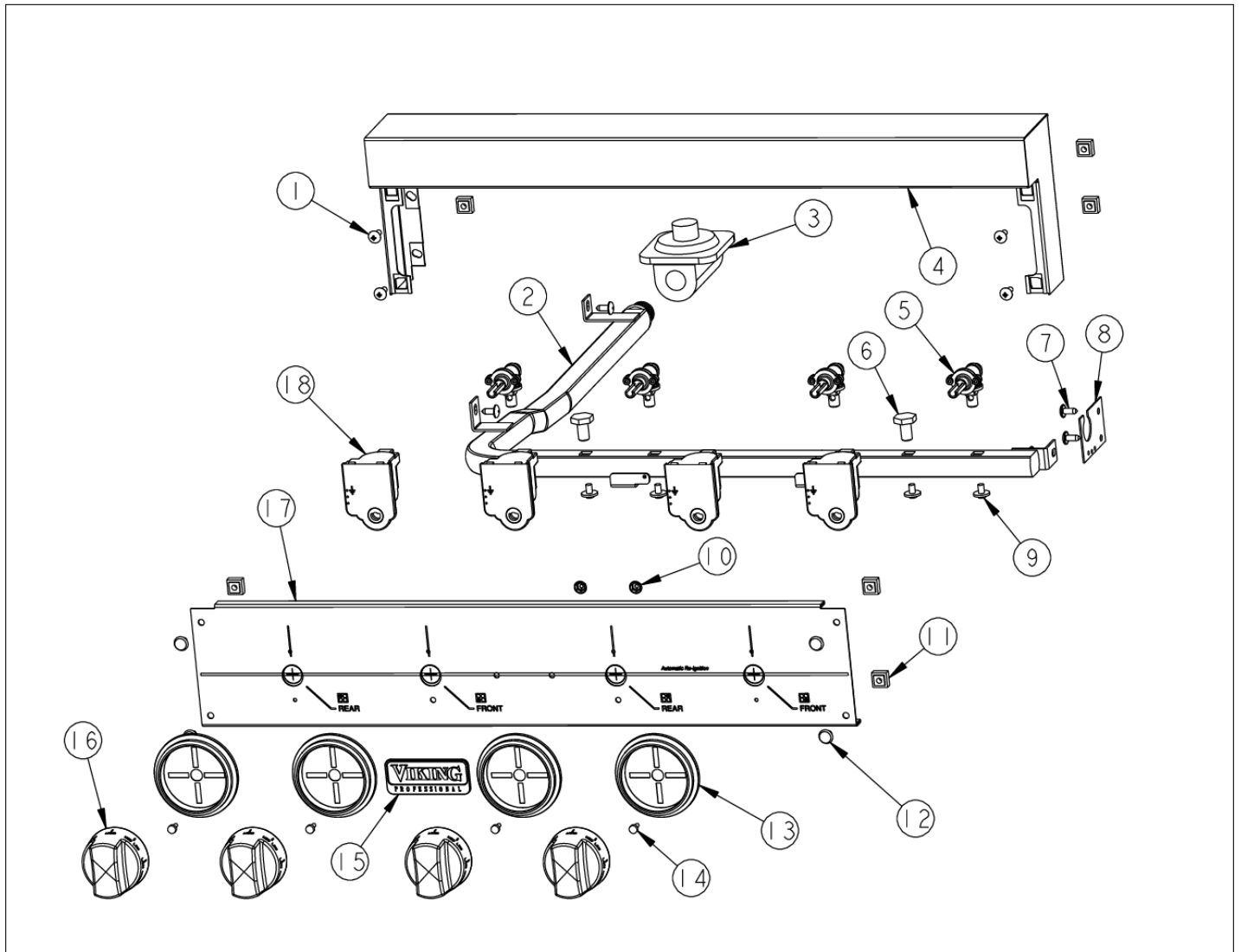


Item	Part No.	Name	Qty	Uom	NOTES
Not Shown	NOTE	(After 12/18/07)		EA	
Not Shown	001394-043	13500 BTU LP JETHOLDER	1	EA	
Not Shown	NOTE	(After 12/18/07)		EA	
21	A1008487	SERVICE DISCONNECT BRACKET	1	EA	
22	00573-000	POWER JUMPER WIRE	1	EA	Not available online / Call for pricing and availability
23	PB040194	Orifice - Nat.	1	EA	
Not Shown	NOTE	(Before 12/18/07)		EA	
Not Shown	001396-000	NATURAL GAS ORIFICE	1	EA	
Not Shown	NOTE	(After 12/18/07)		EA	
Not Shown	PB040217	L.P. ORIFICE	1	EA	
Not Shown	NOTE	(Before 12/18/07)		EA	
Not Shown	005990-000	1.10 MM LP BTU ORIFICE	1	EA	
Not Shown	NOTE	(After 12/18/07)		EA	
24	PA050086	5/8" MALE FLARE FITTING	1	EA	Not available online / Call for pricing and availability

CONTROL AREA



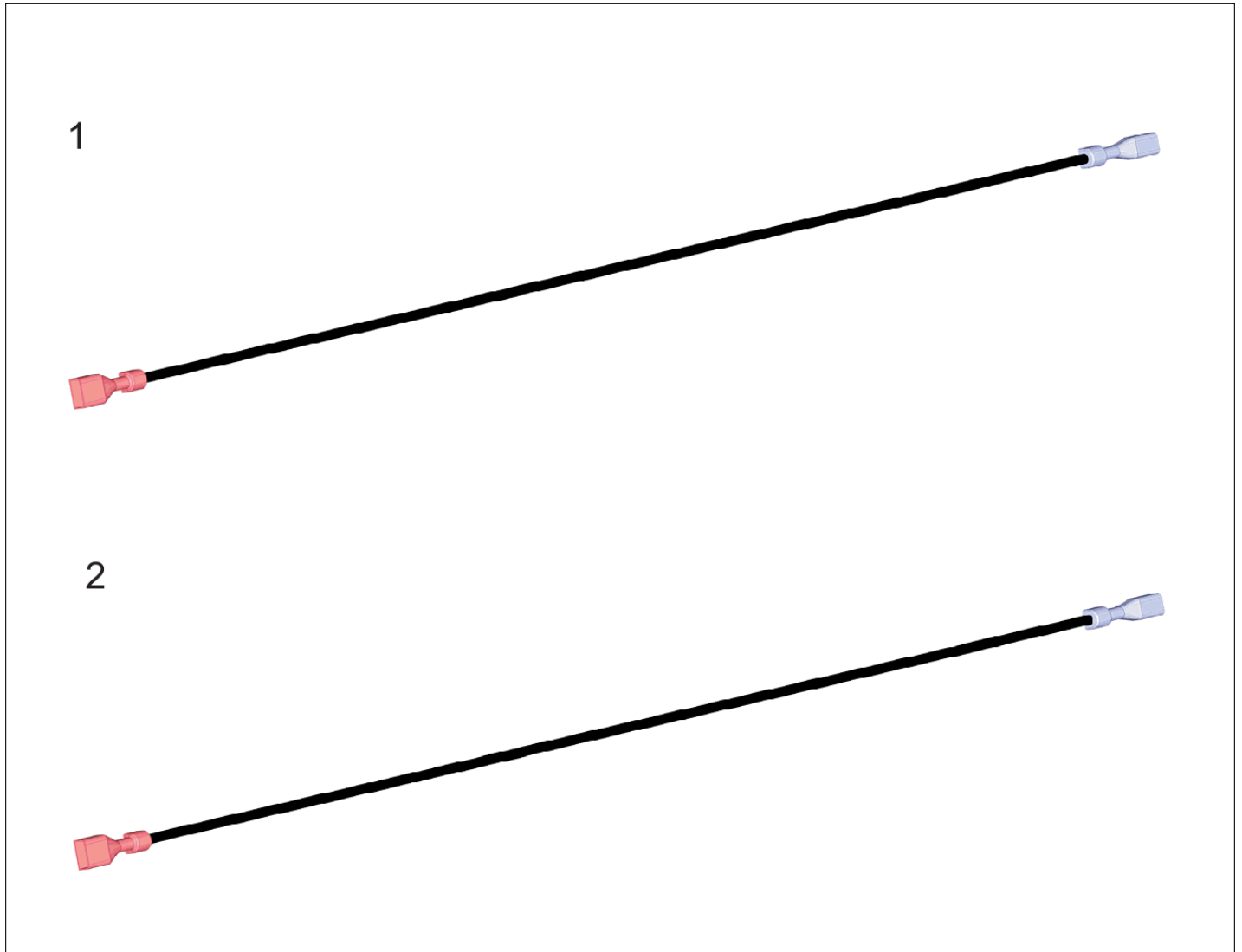
Item	Part No.	Name	Qty	Uom	NOTES
1	PD010003	10-24 X 1/2 PH.TR.HD.SERD.M.S.	1	EA	
2	002159-000	UNIVERSAL 24" MANIFOLD	1	EA	NO LONGER AVAILABLE, Not available online / Call for pricing and availability
Not Shown	NOTE	(NATURAL GAS)		EA	
Not Shown	PA050112	UNIVERSAL 24" MANIFOLD	1	EA	
Not Shown	NOTE	(LP)		EA	
3	PA070003	PRESSURE REGULATOR	1	EA	
Not Shown	NOTE	(NATURAL GAS)		EA	
000714- 000	013386-000	LP PRESSURE REGULATOR	1	EA	
Not Shown	NOTE	(LP)		EA	
4	G30015345	LANDING LEDGE	1	EA	Not available online / Call for pricing and availability
5	003517-000	PA010158 VALVE AND BOLT KIT	1	EA	
Not Shown	NOTE	(NATURAL GAS)		EA	
PA01015 9	003536-000	PA010159 VALVE AND BOLT KIT	1	EA	
Not Shown	NOTE	(LP)		EA	
6	PA010012	ROPER PLUG	1	EA	
7	PD020002	10 X 1/2 PH.TR.HD.SMS.	1	EA	
8	A1001138	MANIFOLD BRKT	1	EA	NO LONGER AVAILABLE, Not available online / Call for pricing and availability
9	PD010012	1/4 x 3/8 VALVE BOLT	1	EA	
10	PD030006	CAPPED WASHER PAL NUT	1	EA	
11	PD030005	SELF RETAINING NUT	1	EA	
12	PD020033	SRW-#10-24X1/2"T(23)PH.WFR HD (NKL)	1	EA	





Item	Part No.	Name	Qty	Uom	NOTES
13	050172-000	BEZEL, KNOB	1	EA	
14	PD020067	' #6 X 3/8" PAN PHIL. TEK *SS*	1	EA	
15	PE010142	3" VIKING LOGO BLACK/CHROME	1	EA	
16	PB010206	TOP BURNER KNOB BK	1	EA	
17	B92015343	VGRT2424B CONTROL PANEL	1	EA	
18	PA020058	IRIS SINGLE SPARK MODULE	1	EA	

IGNITER WIRES

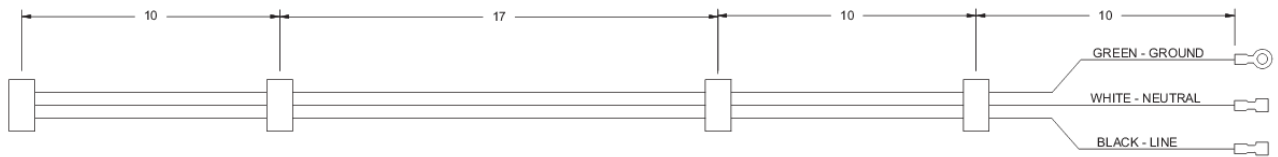




Item	Part No.	Name	Qty	Uom	NOTES
1	000647-000	IRIS IGNITOR WIRE, FRONT BURNER	1	EA	
2	006766-000	IRIS IGNITOR WIRE, BACK BURNER	1	EA	

PE070889 HARNESS

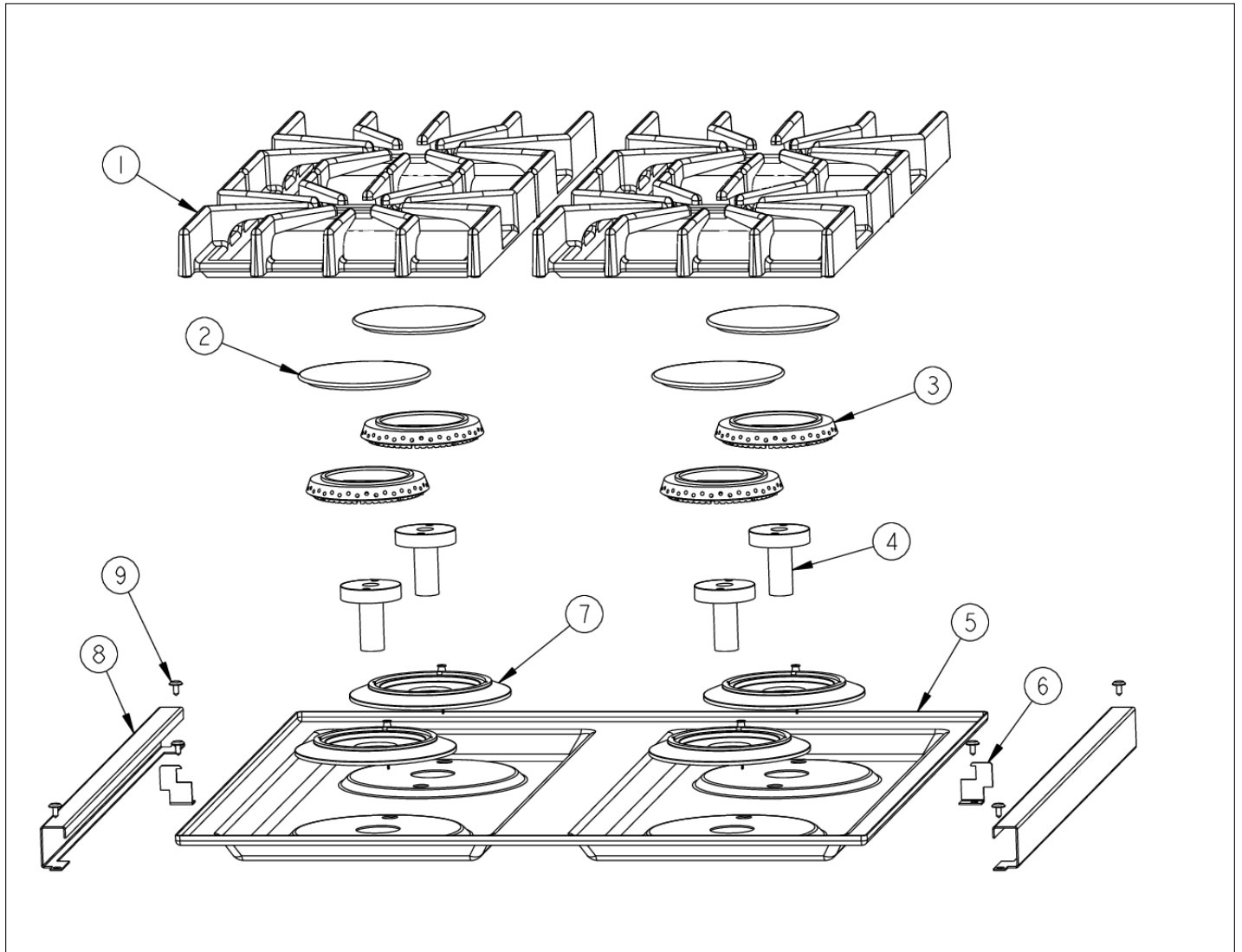
1





Item	Part No.	Name	Qty	Uom	NOTES
1	PE070889	IRIS HARNESS (24"/30")	1	EA	

SURFACE COOKING AREA





Item	Part No.	Name	Qty	Uom	NOTES
1	PA060054	Burner Grate - BK	1	EA	
2	PA080083	D BURNER CAP *MATTE BLACK*	1	EA	
3	PB050063	Burner Head	1	EA	
Not Shown	NOTE	(Before 12/18/07)		EA	
001386-000	018200-000	ADJUSTED SEALED BURNER HEAD	1	EA	
Not Shown	NOTE	(After 12/18/07)		EA	
4	PA010100	Burner Venturi	1	EA	
Not Shown	NOTE	(Before 12/18/07)		EA	
5	E91014908BK	SEALED BURNER TOP	1	EA	Not available online / Call for pricing and availability
6	A2007858	SIDE TRIM BRKT	1	EA	
7	PB050081	BURNER BASE ASM	1	EA	
Not Shown	NOTE	(INCLUDES IGNITER) - BEFORE 12/18/07		EA	
Not Shown	003322-040	SEALED BURNER BASE, TURNED FINISH	1	EA	
Not Shown	NOTE	(INCLUDES IGNITER) - AFTER 12/18/07		EA	
8	B2007851	Side Trim - SS	1	EA	
9	PD020032	SRW-8(A)X3/8"PH.WFR HD 7/16DIA*NICL	1	EA	
NI	009197-000	#6-32 X 5/8 18-8 SS NC SOC CAP	1	EA	
Not Shown	NOTE	(After 12/18/07)		EA	



Appendix A:Pages Index

BURNER BOX INTERIOR	1
CONTROL AREA	2
IGNITER WIRES	3
PE070889 HARNESS	4
SURFACE COOKING AREA	5



Appendix B:Parts Index

000647-000	3	PB020192	1
001394-042	1	PB020193	1
001394-043	1	PB040194	1
001396-000	1	PB040217	1
002152-000	1	PB050063	5
002153-000	1	PB050081	5
002159-000	2	PD010003	2
003322-040	5	PD010012	2
003517-000	2	PD020002	1, 2
003536-000	2	PD020010	1
00573-000	1	PD020032	1, 5
005990-000	1	PD020033	2
006766-000	3	PD020067	2
009197-000	5	PD020076	1
013386-000	2	PD030005	2
018200-000	5	PD030006	2
050172-000	2	PD030109	1
A1001138	2	PD030148	1
A1008487	1	PD040005	1
A20011466	1	PE010142	2
A20011467	1	PE070071	1
A20015344	1	PE070128	1
A2006747	1	PE070889	4
A2006748	1		
A2007858	5		
B2007851	5		
B92015343	2		
E91014908BK	5		
G30010694	1		
G30015345	2		
PA010012	2		
PA010100	5		
PA020058	2		
PA050086	1		
PA050112	2		
PA060054	5		
PA070003	2		
PA080075	1		
PA080083	5		
PB010206	2		