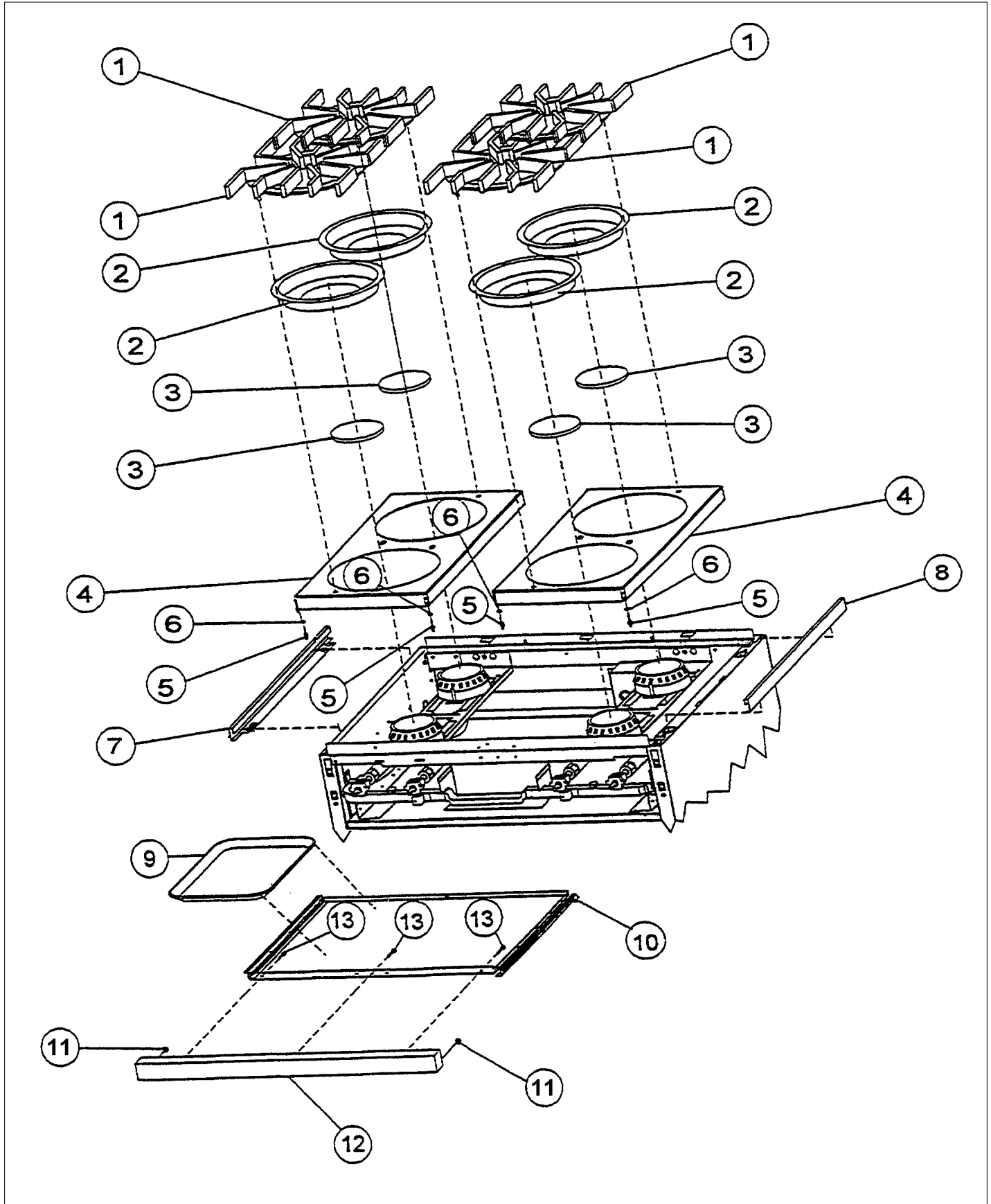


VGRC605

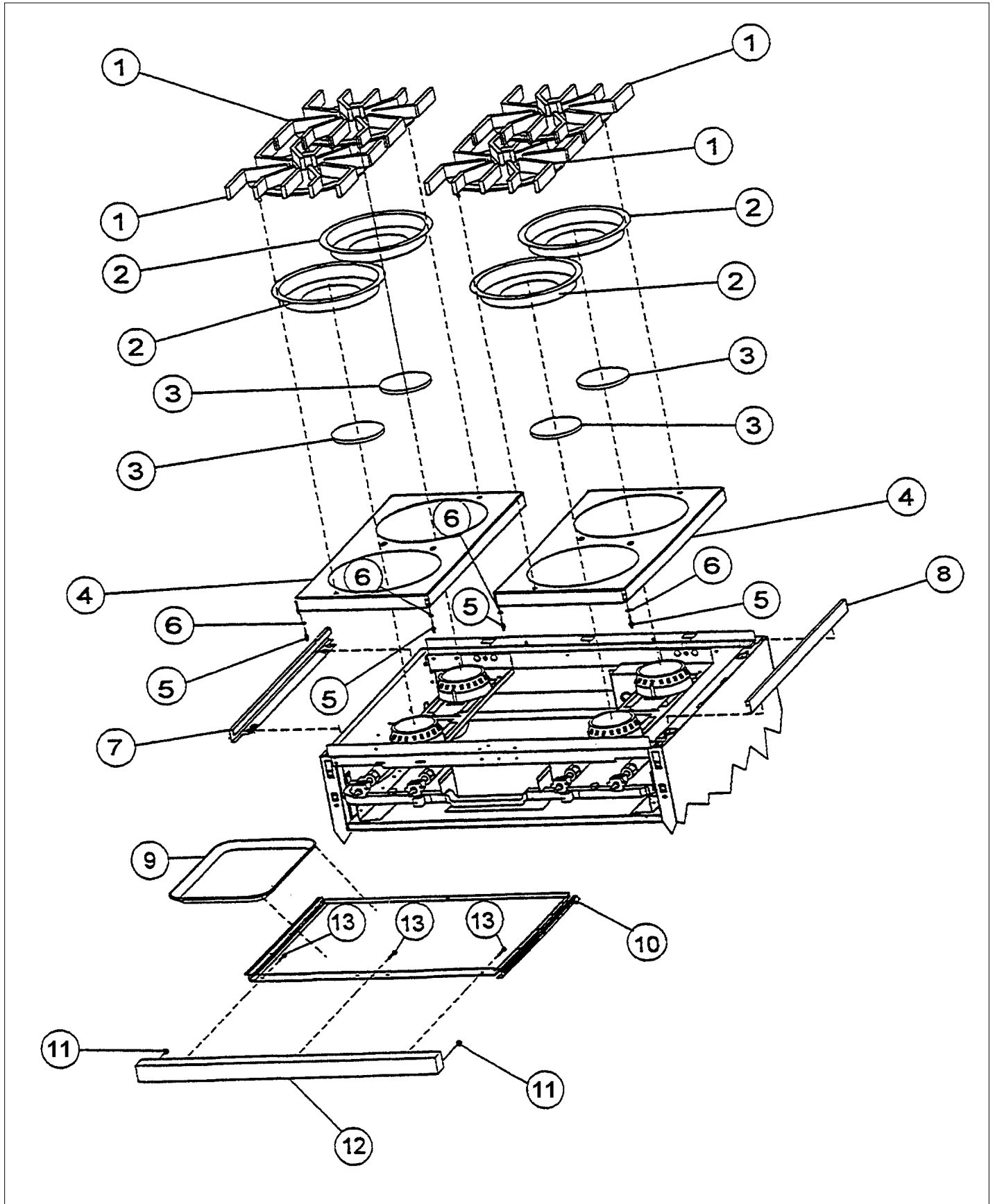
BURNER BOX EXTERIOR ASSY	1
BURNER BOX SUBASSY	2
CONTROL-RACK ASSY	3
GAS-ELECTRICAL	4
GRIDDLE ASSY	5
GRILL ASSY	6
LH CONTROL-RACK ASSY	7
LH OVEN DOOR (60)	8
PANEL-OVEN ASSY	9
RH OVEN DOOR (60)	10
WIRING - 6GQ	11
Appendix A:Pages Index	A
Appendix B:Parts Index	B

BURNER BOX EXTERIOR ASSY



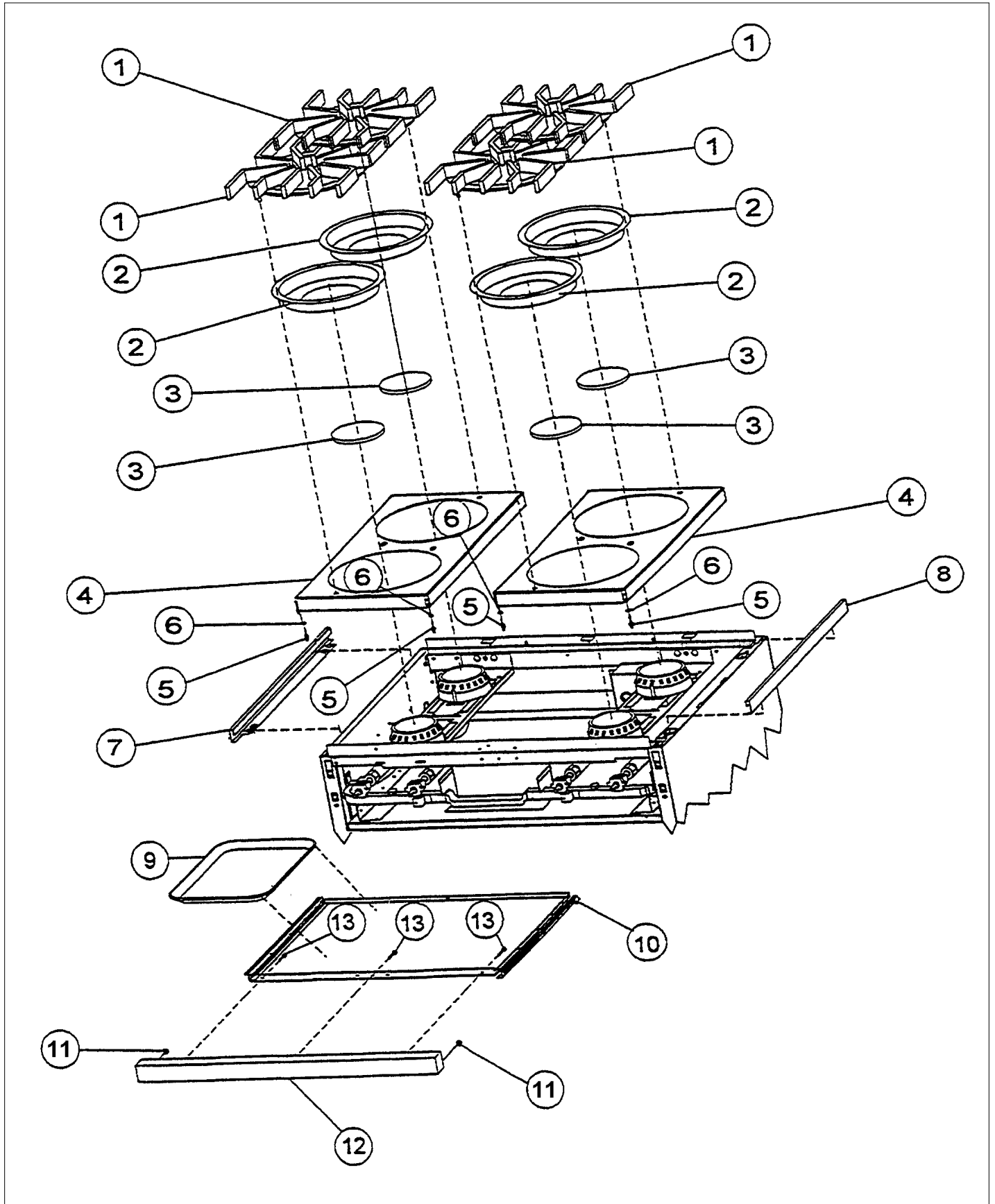


Item	Part No.	Name	Qty	Uom	NOTES
1	PA060037	GRATE BK REPL PA060024 (GEN.#2)	1	EA	
1	PA060038	GRAY GRATES	1	EA	
2	PA030002AL	BURNER BOWL - AL (FOR USE WITH UPGRADE KIT) NLA	1	EA	
2	PA030002BK	BURNER BOWL (VGRT) **BK**	1	EA	
2	PA030002BT	BURNER BOWL - BT NLA	1	EA	
2	PA030002CB	BURNER BOWL - CB NLA	1	EA	
2	PA030002EP	BURNER BOWL - EP NLA	1	EA	
2	PA030002FG	BURNER BOWL - FG (FOR USE WITH UPGRADE KIT) NLA	1	EA	
2	PA030002GG	BURNER BOWL - GG NLA	1	EA	
2	PA030002LE	BURNER BOWL - LE NLA	1	EA	
2	PA030002LN	BURNER BOWL (VGRT) **LN** NLA	1	EA	Not available online / Call for pricing and availability
2	PA030002MJ	BURNER BOWL (VGRT) **MJ** NLA	1	EA	
2	PA030002PL	BURNER BOWL (VGRT) **PL** NLA	1	EA	Not available online / Call for pricing and availability
2	PA030002SG	BURNER BOWL - SG NLA	1	EA	
2	PA030002VB	BURNER BOWL (VGRT) **VB** NLA	1	EA	
2	PA030002WH	BURNER BOWL (VGRT) **WH**	1	EA	
3	PA080015	BURNER CAP-VGRT *BK*	1	EA	
3	PA080016	BURNER CAP-VGRT (GRAY-MATT)	1	EA	
4	G50013584AL	GRATE SUPPORT - AL	1	EA	
4	G50013584BK	GRATE SUPPORT SERVICE KIT (BK)	1	EA	
4	G50013584BT	GRATE SUPPORT SERVICE KIT (BT) - NLA	1	EA	NO LONGER AVAILABLE
4	G50013584CB	GRATE SUPPORT ASSEMBLY - CB	1	EA	Not available online / Call for pricing and availability
4	G50013584EP	GRATE SUPPORT ASSEMBLY - EP	1	EA	Not available online / Call for pricing and availability





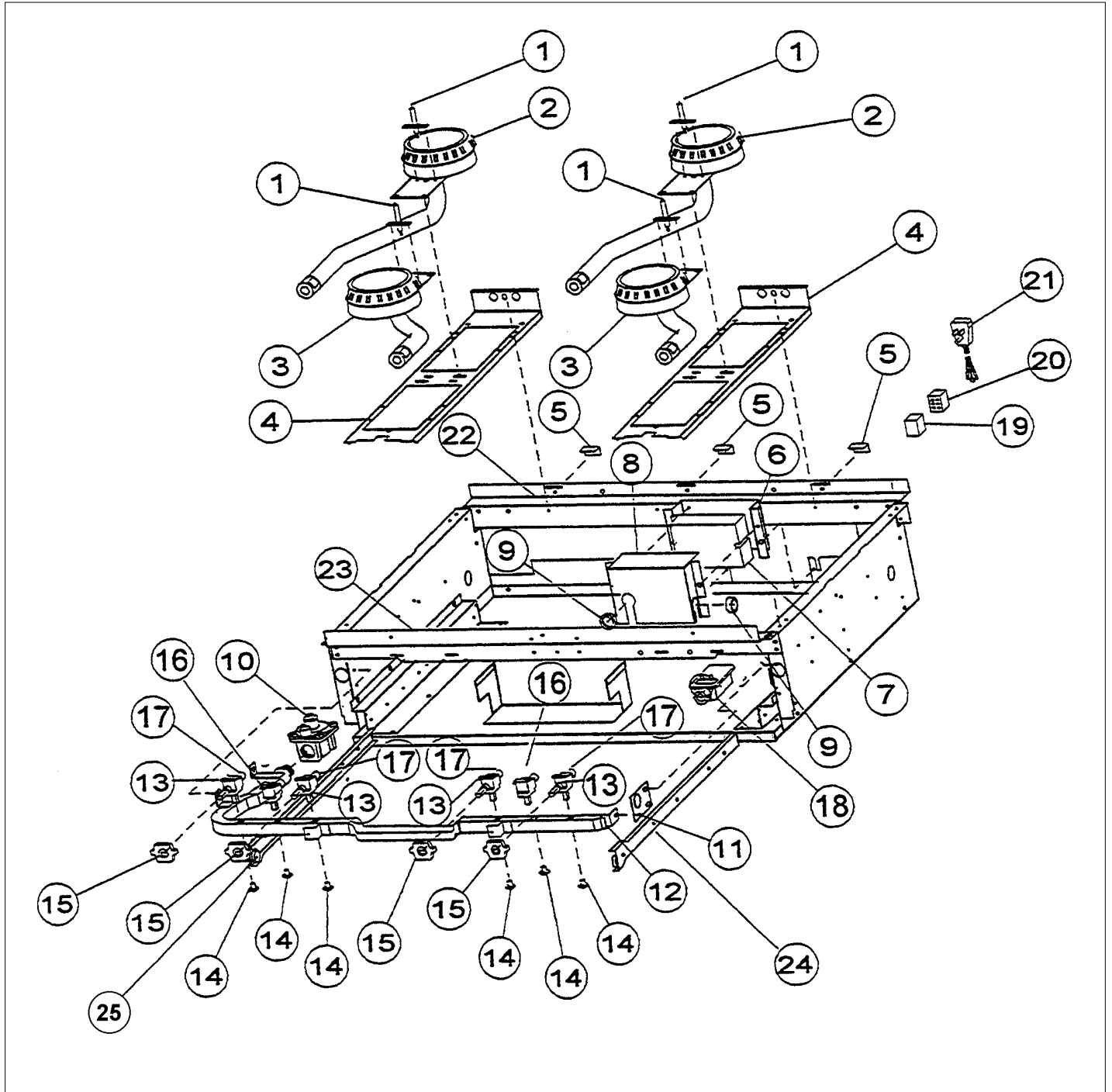
Item	Part No.	Name	Qty	Uom	NOTES
4	G50013584FG	GRATE SUPPORT - FG	1	EA	Not available online / Call for pricing and availability
4	G50013584GG	GRATE SUPPORT ASSEMBLY - GG	1	EA	
4	G50013584LE	GRATE SUPPORT ASSEMBLY - LE	1	EA	Not available online / Call for pricing and availability
4	G50013584LN	GRATE SUPPORT SERVICE KIT (LN)	1	EA	NO LONGER AVAILABLE, Not available online / Call for pricing and availability
4	G50013584MJ	GRATE SUPPORT ASSEMBLY - MJ	1	EA	Not available online / Call for pricing and availability
4	G50013584PL	GRATE SUPPORT - PL	1	EA	Not available online / Call for pricing and availability
4	G50013584SG	GRATE SUPPORT ASSEMBLY - SG	1	EA	Not available online / Call for pricing and availability
4	G50013584VB	GRATE SUPPORT - VB	1	EA	
4	G50013584WH	GRATE SUPPORT SERVICE KIT (WH)	1	EA	
5	PD030012	6-32 HEX NUT	1	EA	
6	PD010017	BALL STUD (VGRT)	1	EA	
7	B2001914	SIDE TRIM -LH (VGRC)	1	EA	
7	C9301914BR	SIDE TRIM LH (VGRC) *BR*	1	EA	Not available online / Call for pricing and availability
8	B2001913	SIDE TRIM -RH (VGRC)	1	EA	
8	C9301913BR	SIDE TRIM RH (VGRC) *BR*	1	EA	Not available online / Call for pricing and availability
9	J2101749	GREASE PAN	1	EA	
Not Shown	NOTE	(AFTER SERIAL # R12139612235)		EA	
9	PS510002	GREASE PAN (REPLACES PB080011)	1	EA	





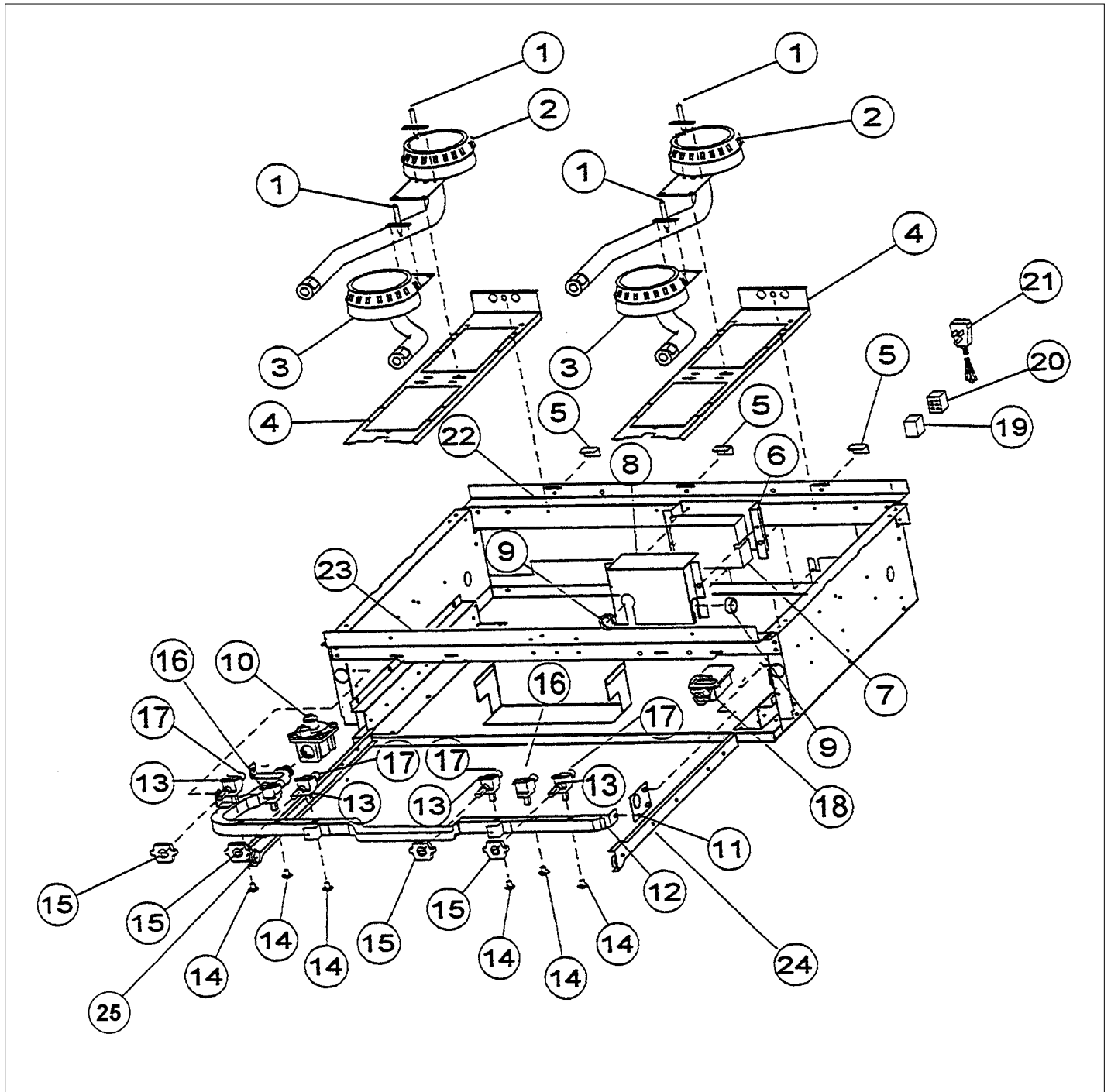
Item	Part No.	Name	Qty	Uom	NOTES
Not Shown	NOTE	(BEFORE SERIAL # R12139612235)		EA	
10	G3004874	DRIP TRAY WELD ASSY R.H. (60"),NLA	1	EA	
10	G3004875	DRIP TRAY WELD ASSY L.H. (60"), NLA	1	EA	
11	PD040004	GROMMET BUMPER	1	EA	
12	B3001840	DRIP TRAY HANDLE	1	EA	
Not Shown	NOTE	(ON OR AFTER 10-17-96-96 TO 05-14-04)		EA	
12	B20010687	DRIP TRAY HANDLE 30"	1	EA	
Not Shown	NOTE	(05-14-04 TO PRESENT)		EA	
13	PD010003	10-24 X 1/2 PH.TR.HD.SERD.M.S.	1	EA	
NI	PD030010	#10-24 KEPS NUT ZINC PLATED	1	EA	

BURNER BOX SUBASSY





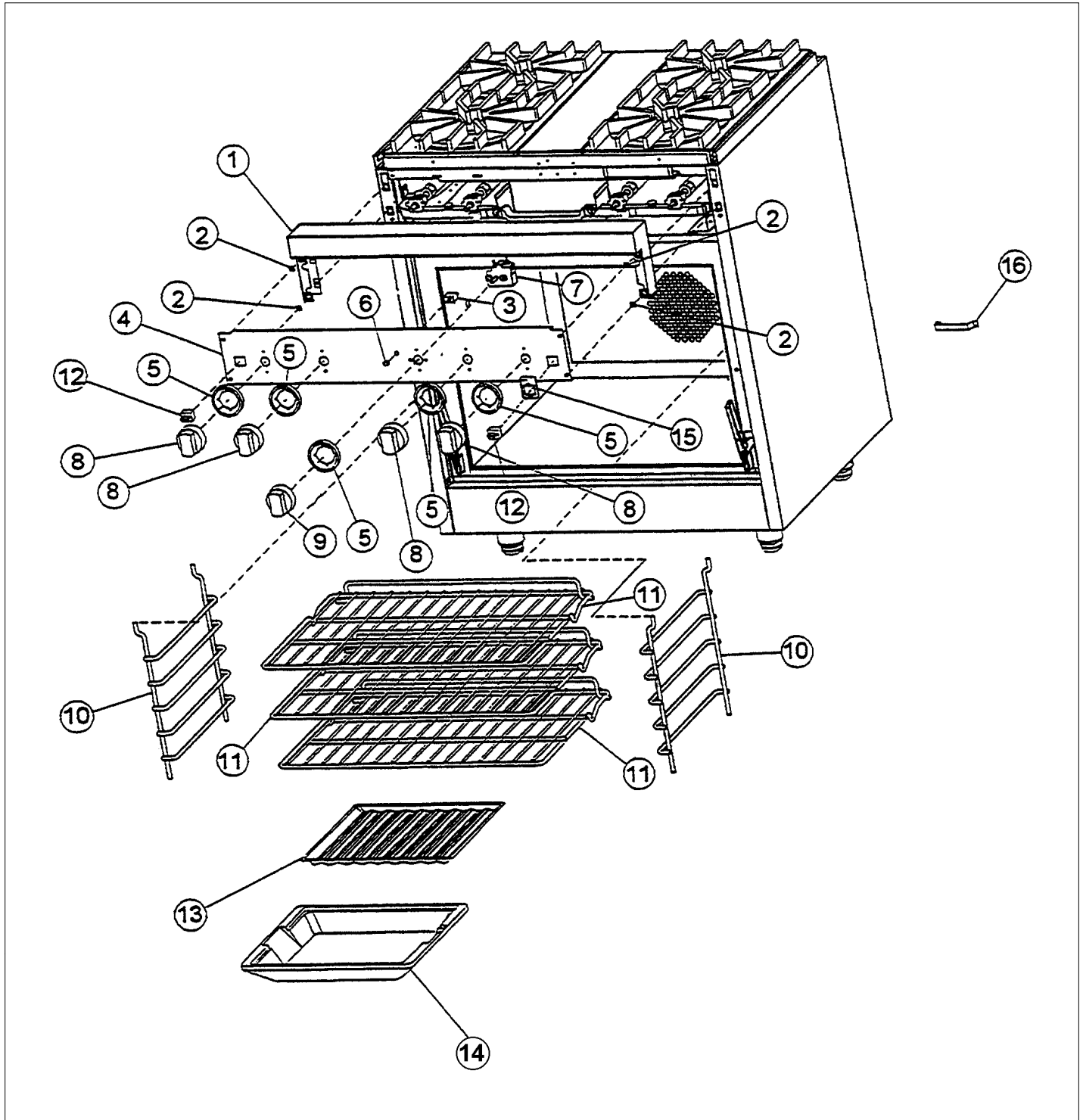
Item	Part No.	Name	Qty	Uom	NOTES
1	PA020028	SPARK IGNITER		EA	
2	PA080036	TOP BURNER REAR REPL PA080008		EA	
3	PA080037	TOP BURNER FRONT REPL PA080007		EA	
4	A2001112	BURNER SUPT (VGRT)		EA	
5	A2001147	GRATE SUPT ANGLE (VGRT)		EA	
6	A1001619	SPARK MODULE PLATE		EA	
7	PA020041	TYTRONICS 0+4 SPARK MODULE		EA	See 2018-02P
8	A2001620	SPARK MODULE COVER (VGRC)		EA	
9	PD040005	SNAP BUSHING - 7/8"		EA	
10	PA070003	PRESSURE REGULATOR		EA	
11	A1001138	MANIFOLD BRKT		EA	NO LONGER AVAILABLE, Not available online / Call for pricing and availability
12	002571-000	UNIVERSAL 60" MANIFOLD		EA	NO LONGER AVAILABLE
13	G50012681	TOP BURNER VALVE KIT (ALUMINUM VALVE REPLACEMENT)		EA	
Not Shown	NOTE	(BEFORE 08/09/02)		EA	
13	G50012678	TOP BURNER VALVE KIT (BRASS VALVE REPLACEMENT)		EA	
Not Shown	NOTE	(Between 08/09/02 & 02/23/05)		EA	
13	003515-000	PA010157 VALVE AND BOLT KIT		EA	
Not Shown	NOTE	(AFTER 02/23/05)		EA	
14	PD010012	1/4 x 3/8 VALVE BOLT		EA	
15	PA020015	Spark Ignition Switch		EA	
Not Shown	NOTE	(Before 2/23/05)		EA	
15	PA020045	Spark Ignition Switch		EA	
Not Shown	NOTE	(After 2/23/05)		EA	



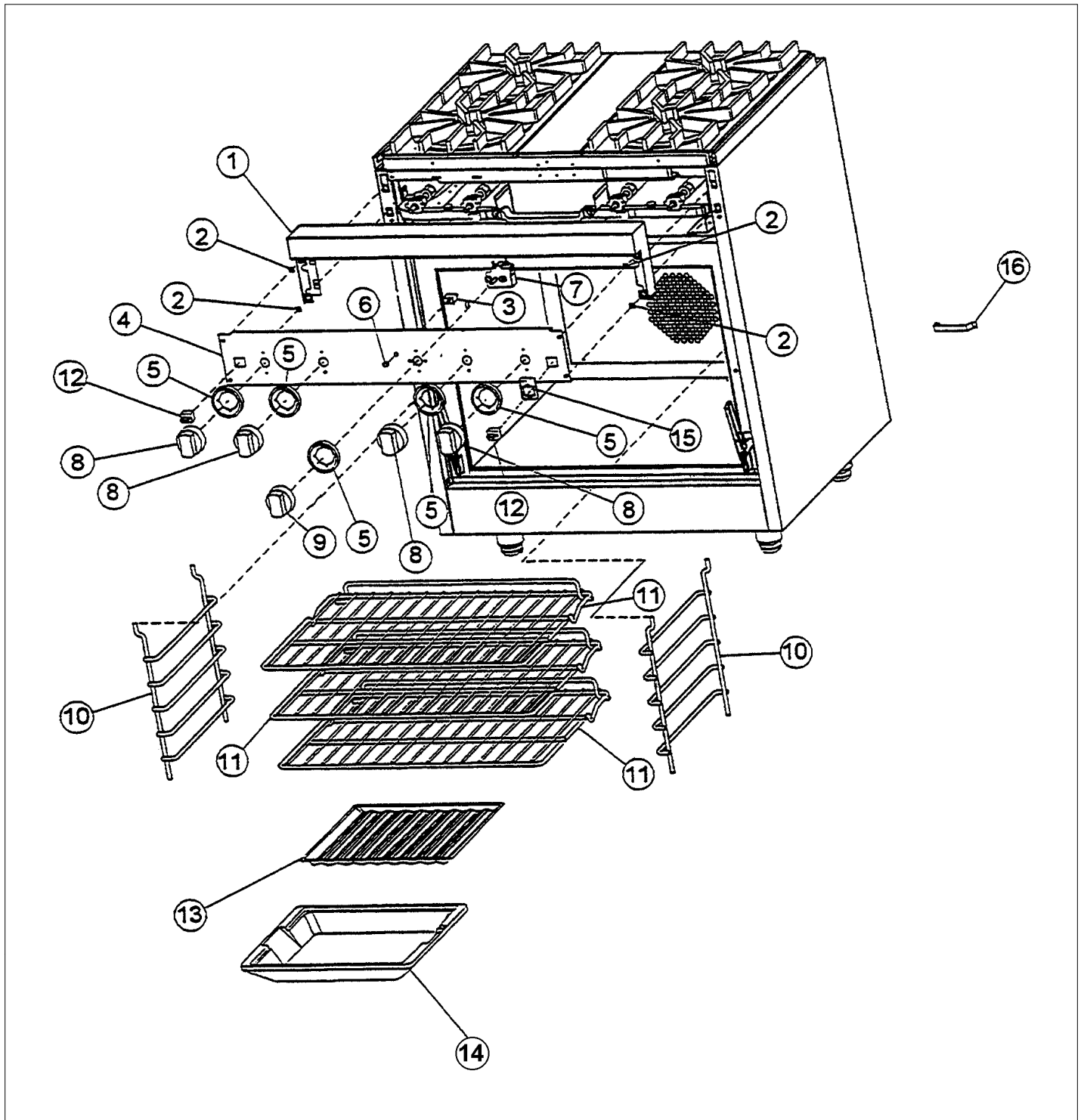


Item	Part No.	Name	Qty	Uom	NOTES
16	003862-000	SHUTOFF VALVE (PB030002 VALVE AND BOLT KIT)		EA	
Not Shown	NOTE	(Before 2/23/05)		EA	
16	007147-000	SHUTOFF VALVE ASSY		EA	
Not Shown	NOTE	(After 2/23/05)		EA	
17	PB040034	ORIFICE HOOD-#50 (NAT)		EA	
Not Shown	PB040036	ORIFICE HOOD-#57 (LP)		EA	
18	PB010083	SINGLE THERMAL VALVE LH (OVEN)		EA	
19	PE070070	Disconnect Block - Male		EA	
20	PE070071	Disconnect Block - Female		EA	
21	PE070620	SUPPLY CORD		EA	
Not Shown	NOTE	(After 2/95)		EA	
21	PE070620	SUPPLY CORD		EA	
Not Shown	NOTE	(Before 2/95)		EA	
22	A2001812	REAR BURNER SUPT (VGRC60)		EA	Not available online / Call for pricing and availability
23	A2001811	FRONT BURNER SUPT- (VGRC60)		EA	NO LONGER AVAILABLE
24	PK000008	Drip Tray Guide - RH		EA	NO LONGER AVAILABLE
Not Shown	PK000007	DRIP TRAY GUIDE - LH (VGRT)		EA	NO LONGER AVAILABLE
NI	PB020041	SHUTOFF TUBING		EA	
Not Shown	NOTE	(Manifold to Safety Valve)		EA	
NI	A2009598	BACK SUPPORT		EA	NO LONGER AVAILABLE

CONTROL-RACK ASSY

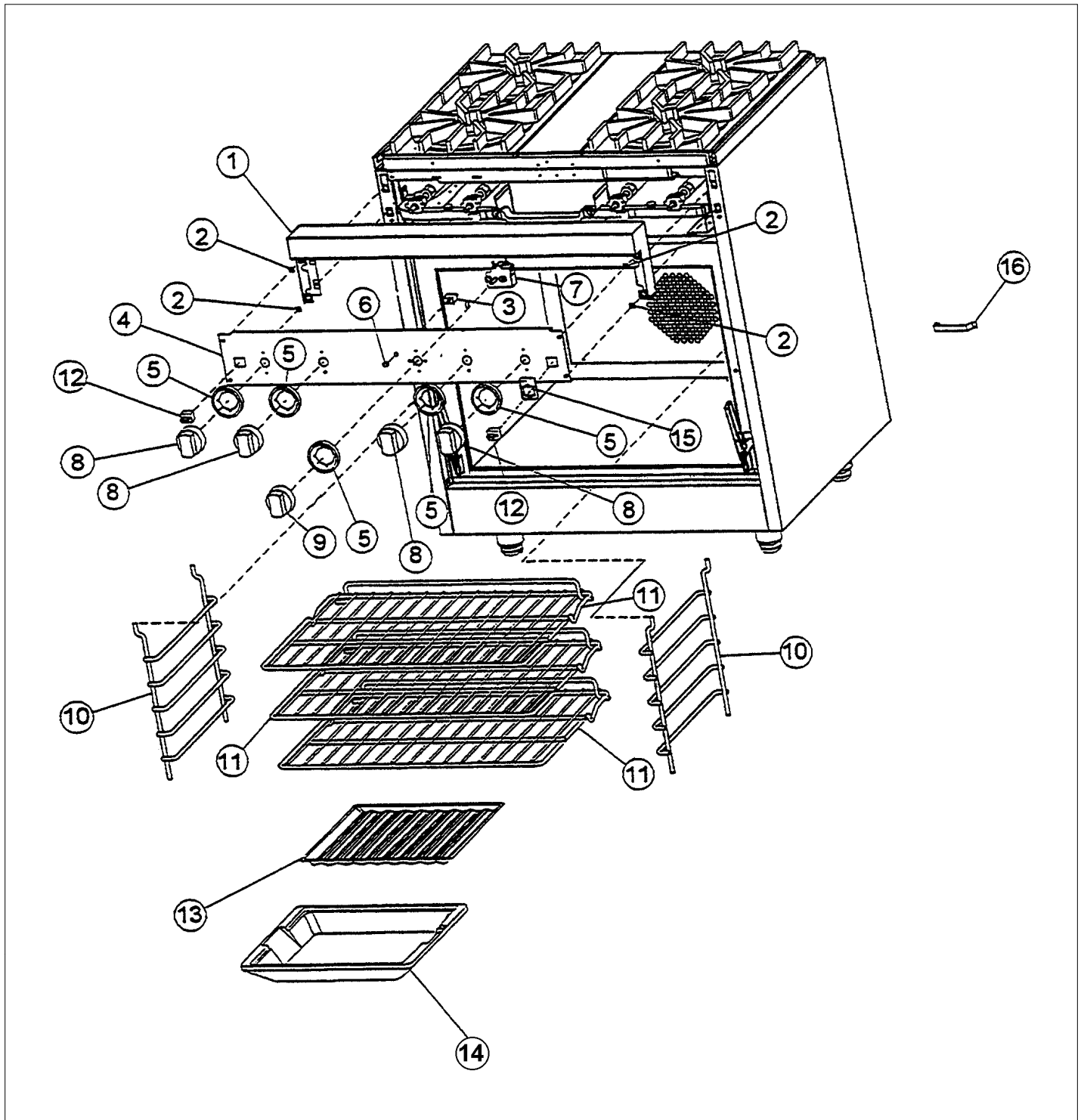


Item	Part No.	Name	Qty	Uom	NOTES
1	G3001585	36" LANDING LEDGE		EA	
Not Shown	G3001584	LANDING LGD 48"		EA	
Not Shown	G3001810	LANDING LEDGE (VGRC605)		EA	
2	PD030050	10-24 CAGE NUT *SS*		EA	
3	PE050024	OVEN IND. LIGHT (LIGHT HOUSING)		EA	
<p>Comments for Part Num. PE050024</p> <p>haarnink@vikingrange.com on Jan 14, 2019</p> <p>please note that the indicator light is now part 043135-000 but needs the Jumper harness 051443-000. and second option there are units in the field with a 230V indicator light part number 036566-000.</p> <p>please check this for all "E" module ranges/Tops</p>					
4	B9202370	CTRL PAN- (VGRC365-6B) *SLK SCR*		EA	
Not Shown	B9201281	CTRL PAN - VGRC365-4G *SLK SCR*		EA	
Not Shown	B9202371	CTRL PAN- (VGRC365-4Q) *SLK SCR*		EA	
Not Shown	B9202375	CTRL PAN- (VGRC485-8B) *SLK SCR*		EA	
Not Shown	B9202374	CTRL PAN- (VGRC485-6G) *SLK SCR*		EA	
Not Shown	B9202376	CTRL PAN- (VGRC485-6Q) *SLK SCR*		EA	
Not Shown	B9201286	CTRL PAN - VGRC485-4G *SLK SCR*		EA	
Not Shown	B9202373	CTRL PAN- (VGRC485-4GQ) *SLK SCR*		EA	
Not Shown	B9201813	CTRL PAN VGRC605-6G *SLK SCR*		EA	
Not Shown	B9201822	CTRL PAN VGRC605-6GQ *SLK SCR*		EA	
5	050172-000	BEZEL, KNOB		EA	
Not Shown	PB010209	Bezel - BR		EA	
6	PE050023	OVEN IND. LIGHT (LENS & BEZEL)		EA	
7	PB010036	THERMOSTAT BAKE/BROIL		EA	





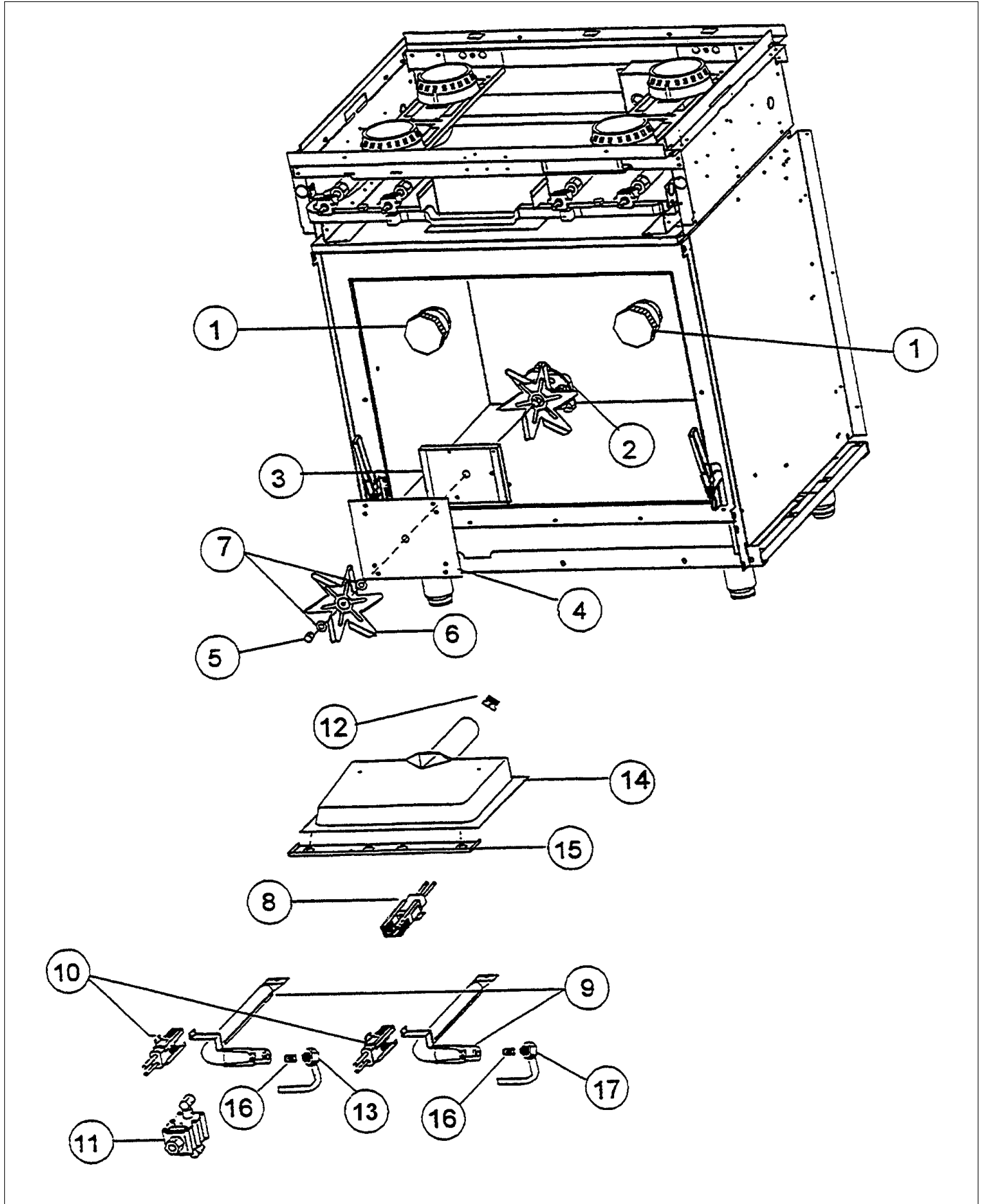
Item	Part No.	Name	Qty	Uom	NOTES
8	PA010034	TOP BURNER KNOB-*BK* (NEW STYLE)		EA	
Not Shown	NOTE	(Before 08/09/02) - If original valve has never been replaced		EA	
Not Shown	PA010035	BURNER KNOB-WH NS REPL PA010028		EA	
Not Shown	NOTE	(Before 08/09/02) - If original valve has never been replaced		EA	
Not Shown	PB010206	TOP BURNER KNOB BK		EA	
Not Shown	NOTE	(After 08/09/02) - if original valve has been replaced		EA	
Not Shown	PB010207	TOP BURNER KNOB WH		EA	Not available online / Call for pricing and availability
Not Shown	NOTE	(After 08/09/02) - if original valve has been replaced		EA	
9	PB010099	T/STAT B/B KNOB BK REPL PB010039BK*		EA	
<p>Comments for Part Num. PB010099</p> <p>imardr@att.net on Nov 8, 2015 need to list the white knob for a VGIC3054BWH Reply by bradleysapplianceservice@shaw.ca on Sep 30, 2016 The White Knobs are NLA. Only Black are available. bradleysapplianceservice@shaw.ca on Sep 30, 2016 THE WHITE KNOBS ARE NLA. ONLY BLACK KNOBS ARE AVAILABLE.</p>					
Not Shown	NOTE	(After 1/95)		EA	
Not Shown	PB010100	THERMOSTAT BAKE/BROIL KNOB *WH* N/S		EA	
Not Shown	NOTE	(After 1/95)		EA	
Not Shown	PB010091	T/STAT BK/BRL KNB*BK*REP PB010016		EA	
Not Shown	NOTE	(Before 1/95)		EA	
Not Shown	PB010092	T/STAT BAK/BROL KNB*WH*-SC/RC-(VLOX		EA	
Not Shown	NOTE	(Before 1/95)		EA	
10	PB060029	OVEN RACK SUPT-5 POS. (27")		EA	



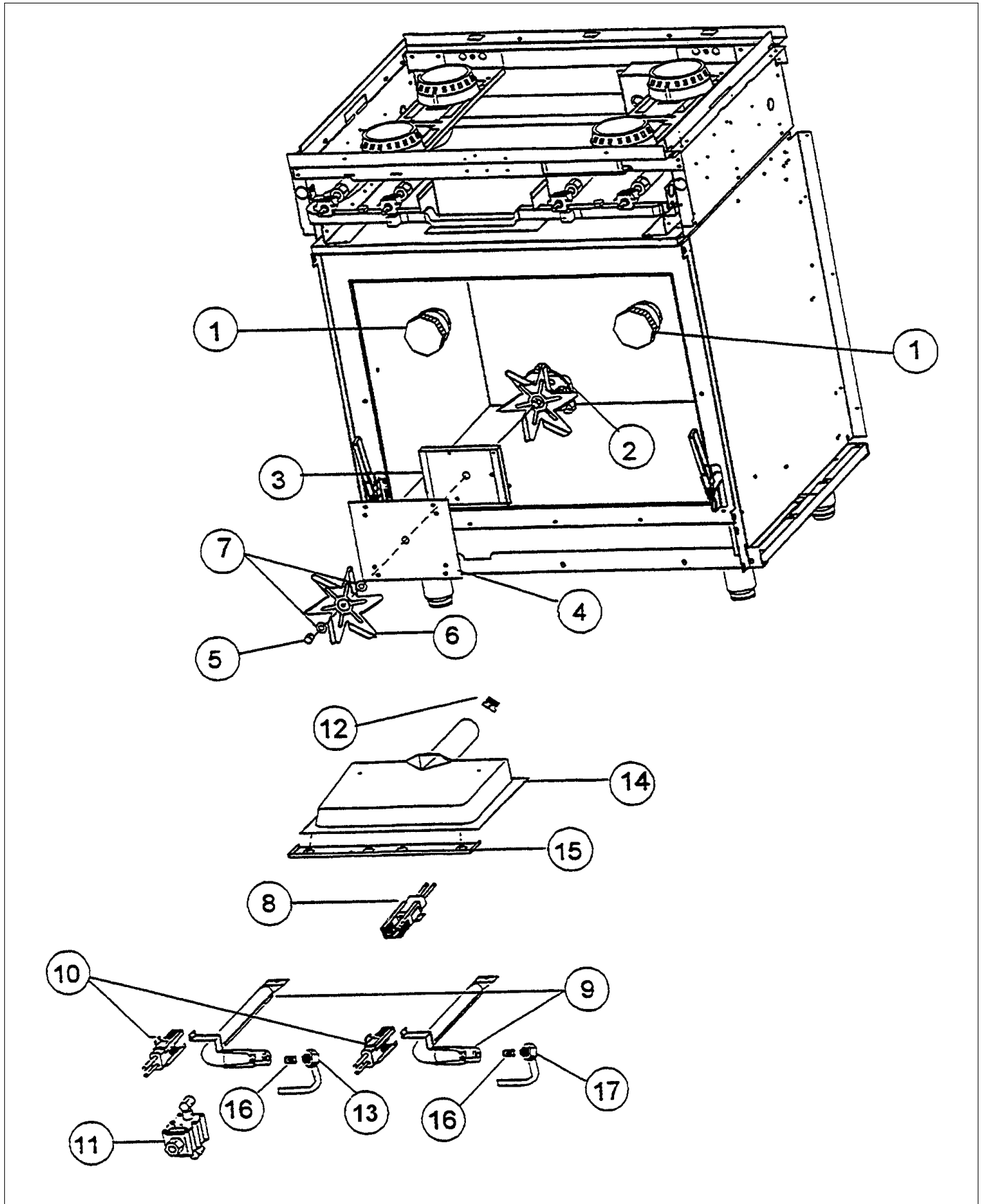


Item	Part No.	Name	Qty	Uom	NOTES
11	PB060042	RACK REPL VGRC48RH REPL PB060008		EA	
12	PE050016	OVEN LIGHT SWITCH - *BK* (WES-GAR)		EA	
Not Shown	PE050017	OVEN LIGHT SWITCH - *WH* (WES-GAR)		EA	
13	E9107934	BROILER PAN INSERT - NLA		EA	
14	E9107933	BROILER PAN		EA	
15	PE010081	CONVECTION-LABEL/PLATE (CHROME)		EA	
Not Shown	PE010082	CONVECTION-LABEL/PLATE (*BR*)		EA	
16	A2001259	ANTI-TIP DEVICE		EA	

GAS-ELECTRICAL



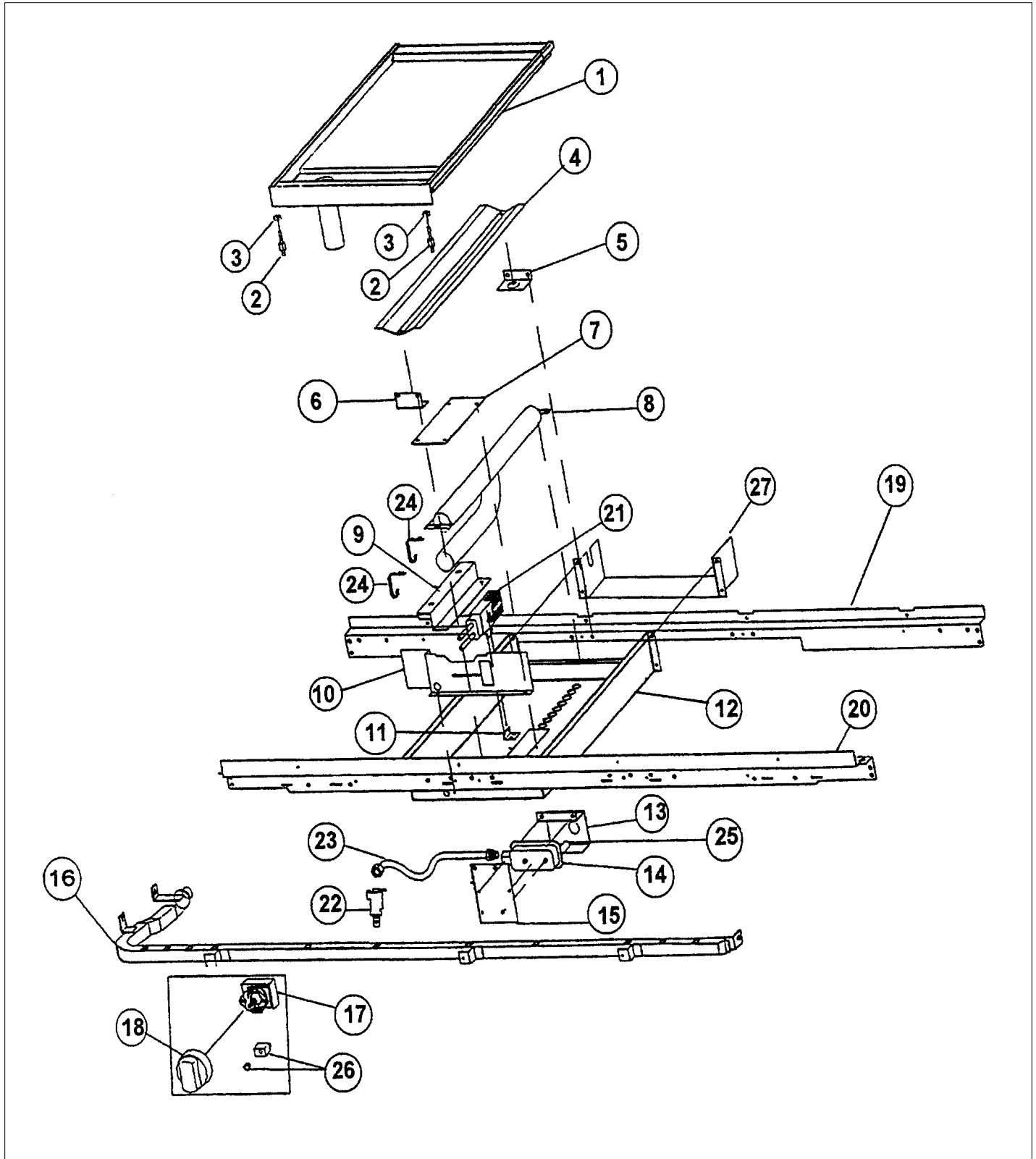
Item	Part No.	Name	Qty	Uom	NOTES
1	031449-000	LAMP, ASM		EA	
2	PE050057	CONVECTION FAN (VGSC306)		EA	
3	A2002595	CONVECTION FAN BOX (VDSC)		EA	
4	A1002596	CONVECTION FAN COVER (VDSC)		EA	
5	PD030035	CONVECTION FAN NUT		EA	
6	PE050035	CONVECTION FAN BLADE		EA	
Not Shown	NOTE	(MUST ORDER ITEM 2)		EA	
7	PD040030	CONVECTION FAN WASHER		EA	
8	PB040001	Igniter		EA	
9	PB050012	OVEN BURNER REPL PB050009		EA	
Not Shown	NOTE	(After 04/01/94)		EA	
Not Shown	G50013898	RH OVEN BAKE BURNER SERVICE KIT		EA	
Not Shown	NOTE	(Before 04/01/94)		EA	
10	PB040001	Igniter		EA	
11	PB010084	DUAL THERMAL BI-MTL GAS CTRL VALVE		EA	
12	PB040040	ORIFICE-IR BURNER (VGSC)		EA	
Not Shown	PB040027	IR BUR.SPUD ORF. - #56 LP		EA	
13	PB020022	BAKE BURNER TUBE LH OVEN		EA	
NI	PD030018	PALNUT - 3/4-16		EA	
14	G3001876	IR BURNER ASSY (VGSC/RC) N/S		EA	
15	B2001448	IR BROIL SUPT (FRONT)		EA	
B200226 1	020409-000	BRACKET, SPRT, FR, I/R BROILER		EA	
16	PB040034	ORIFICE HOOD-#50 (NAT)		EA	
Not Shown	PB040036	ORIFICE HOOD-#57 (LP)		EA	
17	PB020023	BAKE BURNER TUBE RH OVEN		EA	
NI	PB020218	3/8 S.S. FLEX TUBING 70"		EA	
Not Shown	NOTE	(Manifold to Safety Valve), RH - 60" 6GQ, 6G)		EA	



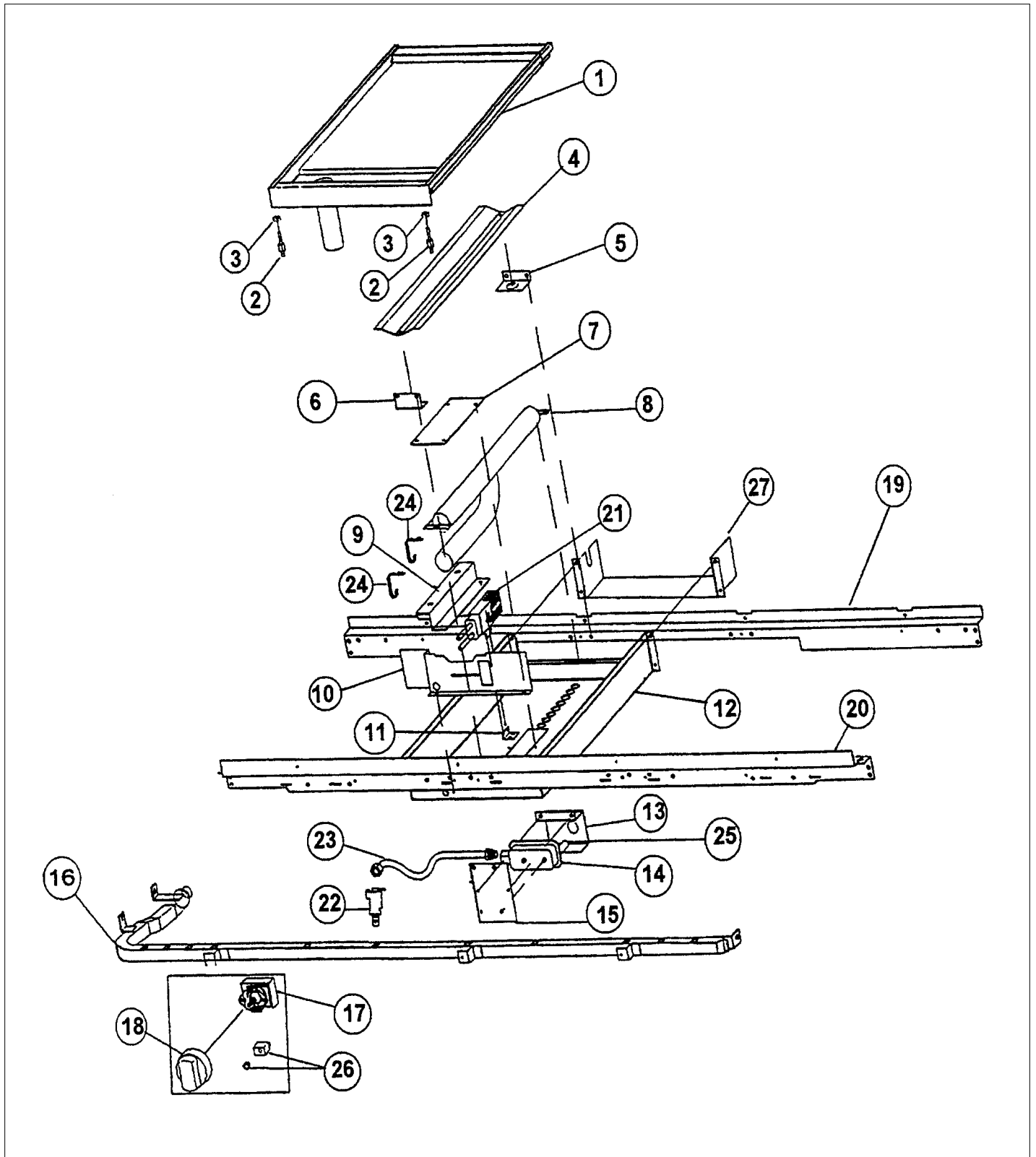


Item	Part No.	Name	Qty	Uom	NOTES
NI	A2008467	INSULATION SHIELD		EA	
NI	PB020216	3/8 S.S. FLEX TUBING 41"		EA	
NI	PB020218	3/8 S.S. FLEX TUBING 70"		EA	

GRIDDLE ASSY

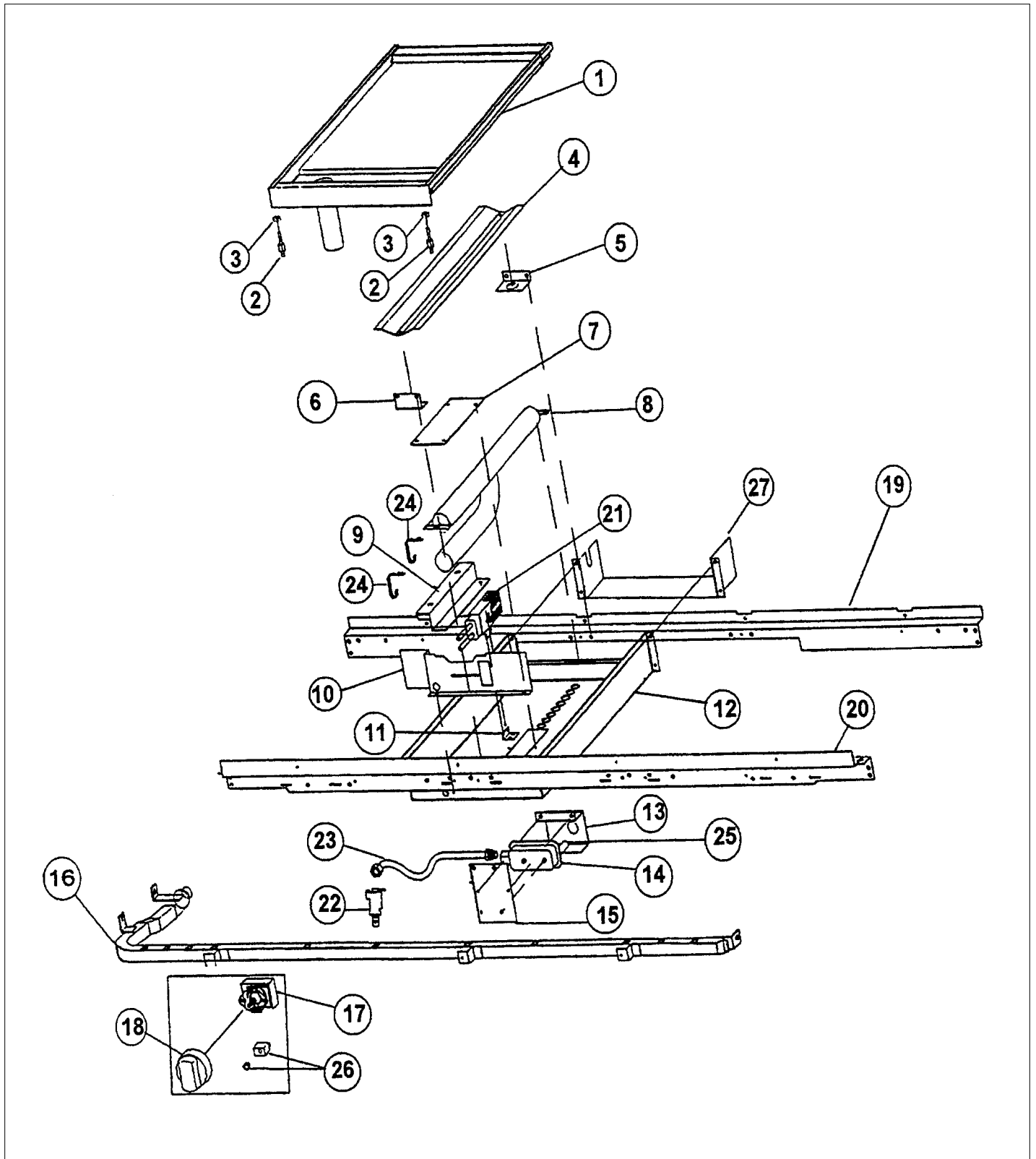


Item	Part No.	Name	Qty	Uom	NOTES
1	003210-000	12 OPEN GRIDDLE FRAME WELD ASSY		EA	
Not Shown	003224-000	24" OPEN FRIDDLE FRAME WELD ASM		EA	
2	PD010017	BALL STUD (VGRT)		EA	
3	PD030012	6-32 HEX NUT		EA	
4	B2001884	GRIDDLE FLAME SHIELD		EA	
5	A2001880	REAR MTG. BRKT. GRIDDLE FLAME SHLD		EA	
6	A2001881	FRONT MTG. BRKT. GRIDDLE FLAME SHLD		EA	
7	A1001636	GRIDDLE VENTURI COVER		EA	
8	PB050077	GRILL BURNER		EA	
9	A2001949	T/STAT BULB COVER REPL A2001883		EA	
10	A2002001	GRIDDLE HEAT BAFFLE - SLOT SUPT		EA	
11	A2001300	Griddle Igniter Bracket		EA	
12	A2001148	GRIDDLE BOX (VGRT)		EA	
13	A2001630	GRIDDLE VALVE COVER (VGRC)		EA	
14	PB010004	SINGLE SAFETY VALVE (NAT. GRIDDLE)		EA	
15	A1001198	THERMAL VALVE BRKT		EA	NO LONGER AVAILABLE, Not available online / Call for pricing and availability
16	002571-000	UNIVERSAL 60" MANIFOLD		EA	NO LONGER AVAILABLE
17	PB010035	THERMOSTAT BAKE / GRIDDLE		EA	
18	PB010103	GRIDDLE KNOB N/S *BK*		EA	
Not Shown	PB010104	GRIDDLE KNOB N/S *WH*		EA	
19	A2001812	REAR BURNER SUPT (VGRC60)		EA	Not available online / Call for pricing and availability
20	A2001811	FRONT BURNER SUPT- (VGRC60)		EA	NO LONGER AVAILABLE
21	PB040001	Igniter		EA	





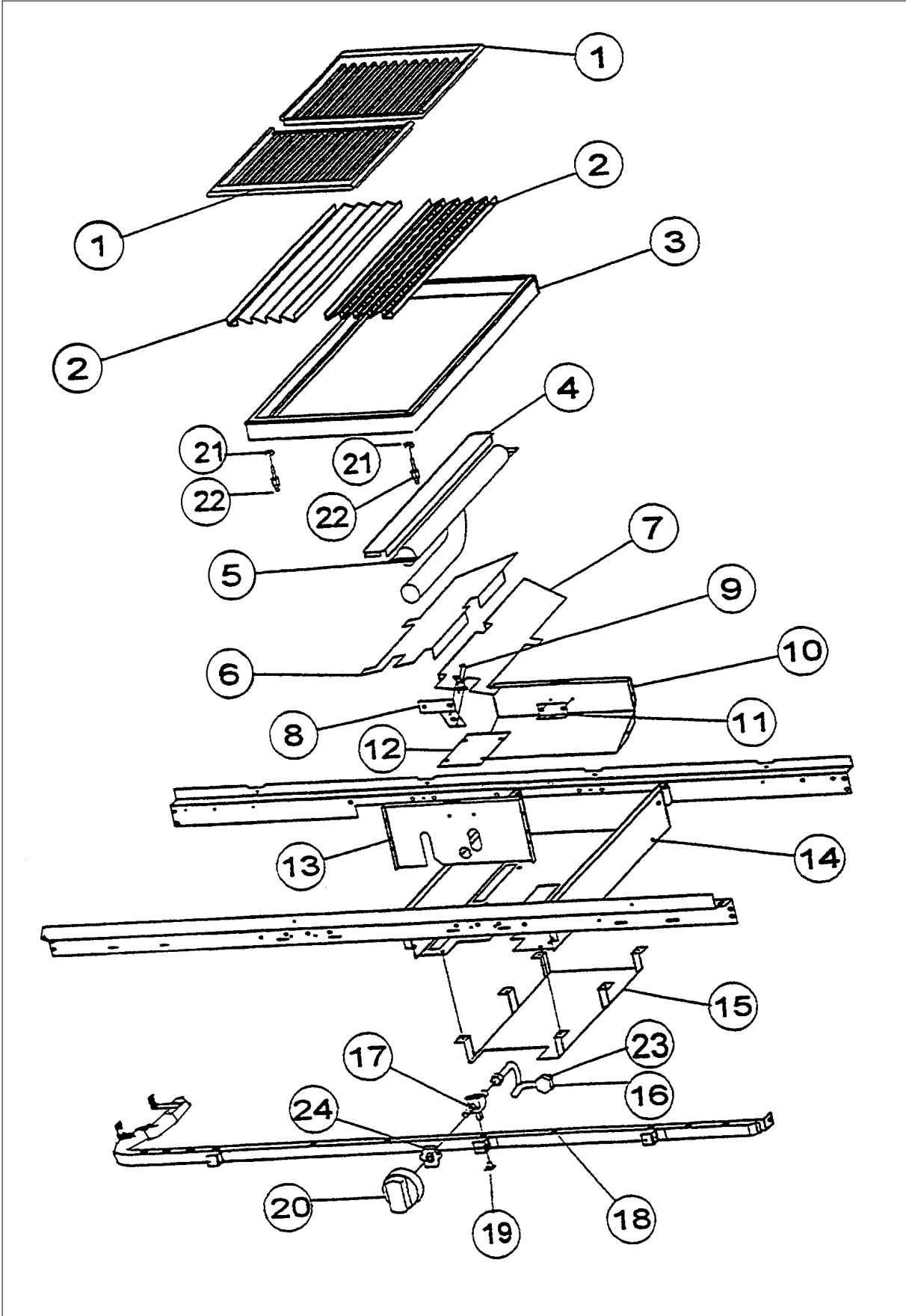
Item	Part No.	Name	Qty	Uom	NOTES
22	003862-000	SHUTOFF VALVE (PB030002 VALVE AND BOLT KIT)		EA	
Not Shown	NOTE	(Before 2/23/05)		EA	
Not Shown	007147-000	SHUTOFF VALVE ASSY		EA	
Not Shown	NOTE	(After 2/23/05)		EA	
23	PB020116	TUBING - 10" FLEXIBLE 12 & 24"		EA	
24	PD030031	THERMAL BULB CLIP - .250		EA	
25	PB040034	ORIFICE HOOD-#50 (NAT)		EA	
Not Shown	PB040036	ORIFICE HOOD-#57 (LP)		EA	
26	PE050023	OVEN IND. LIGHT (LENS & BEZEL)		EA	
Not Shown	NOTE	(Current)		EA	
Not Shown	PE050024	OVEN IND. LIGHT (LIGHT HOUSING)		EA	
<p>Comments for Part Num. PE050024</p> <p>haarnink@vikingrange.com on Jan 14, 2019</p> <p>please note that the indicator light is now part 043135-000 but needs the Jumper harness 051443-000. and second option there are units in the field with a 230V indicator light part number 036566-000.</p> <p>please check this for all "E" module ranges/Tops</p>					
Not Shown	NOTE	(Current)		EA	
27	A2001634	GRIDDLE FLUE COVER (VGRC)		EA	NO LONGER AVAILABLE
NI	PD040022	1/2 X 1/4-BUMPER (PORT. GRIDDLE)(BK)		EA	
Not Shown	NOTE	(Portable Griddle Only)		EA	
NI	PD020039	' #6-32 X 1/2 PH.PN.HD. TYPE (23)		EA	
Not Shown	NOTE	(Portable Griddle Only)		EA	



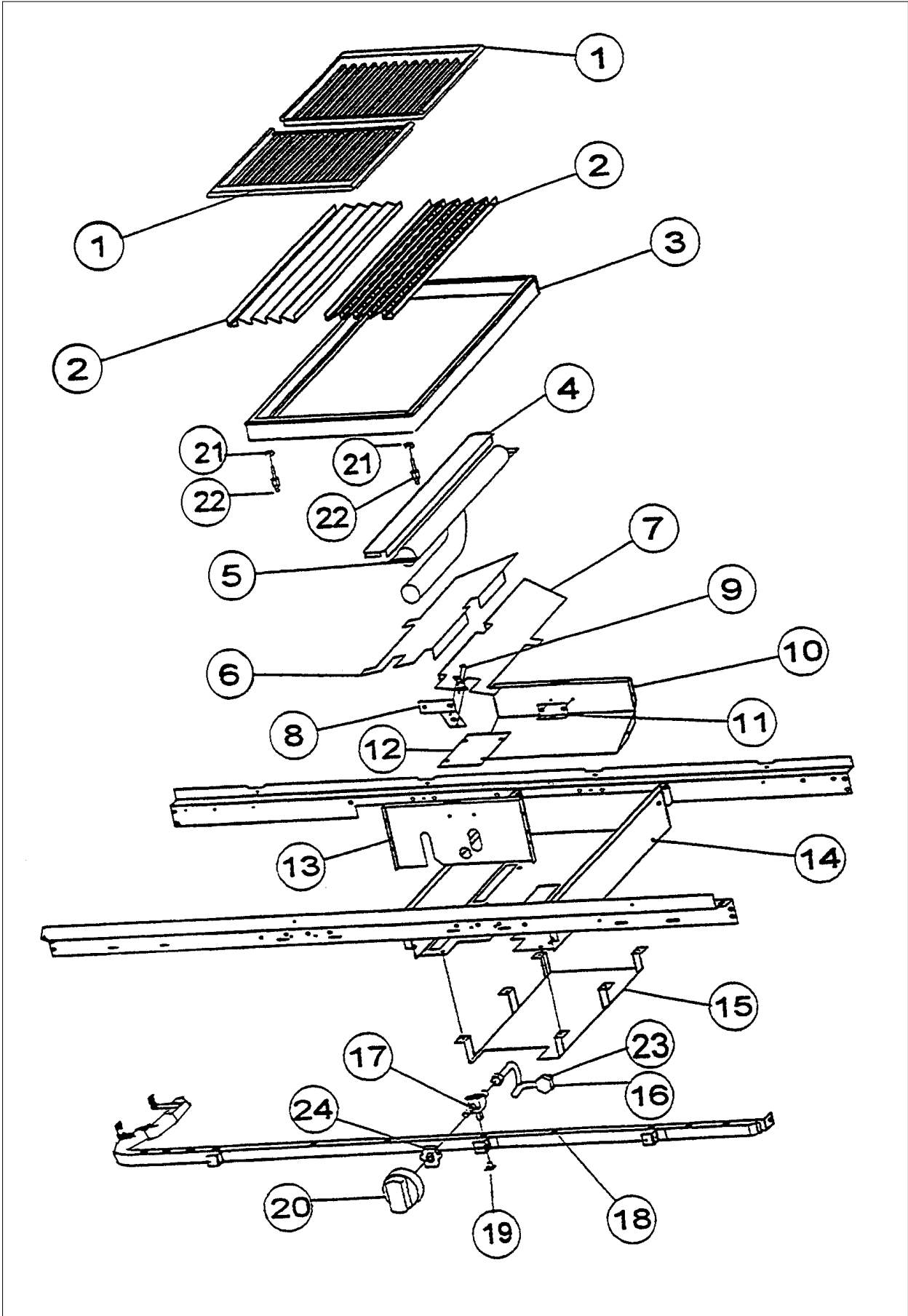


Item	Part No.	Name	Qty	Uom	NOTES
NI	A1008475	GRIDDLE FLUE DIVERTER		EA	NO LONGER AVAILABLE, Not available online / Call for pricing and availability
NI	A2001179	BACK SUPT (VGRT)		EA	

GRILL ASSY



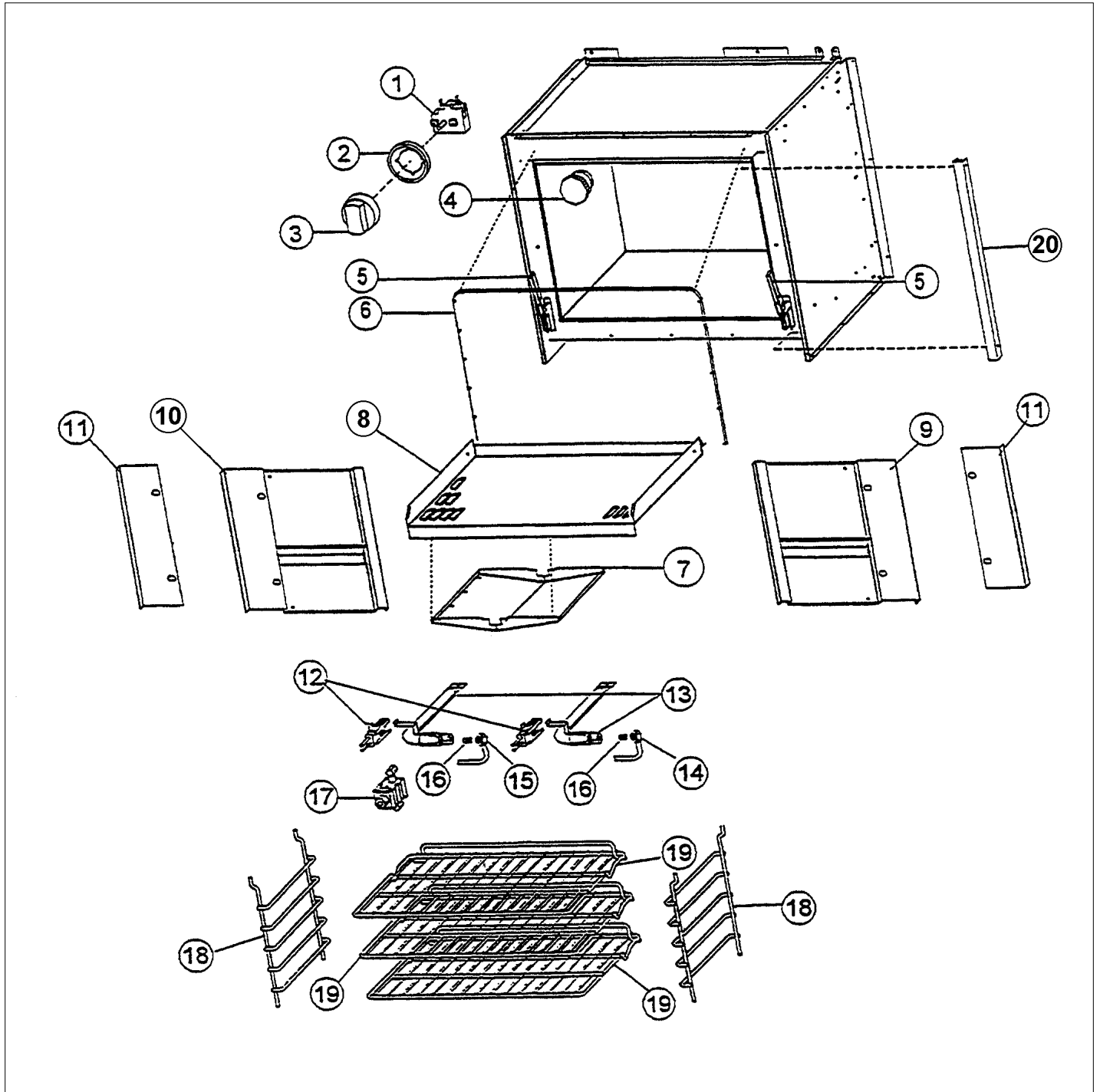
Item	Part No.	Name	Qty	Uom	NOTES
1	PA060058	GRILL GRATE - MATT *BK* RE PA060028	1	EA	
PA060029	PA060058	GRILL GRATE - MATT *BK* RE PA060028	1	EA	
2	E9101130BK	GRILL SMOKE GENERATOR	1	EA	
3	G9101182AL	GRILL GRATE SUPT (VGRT) *AL*	1	EA	NO LONGER AVAILABLE
Not Shown	G9101182BK	GRILL GRATE SUPT (VGRT) *BK*	1	EA	
Not Shown	G9101182BT	GRILL GRATE SUPT (VGRT) *BT*	1	EA	NO LONGER AVAILABLE
Not Shown	G9101182CB	GRILL GRATE SUPT (VGRT) *CB*	1	EA	NO LONGER AVAILABLE
Not Shown	G9101182EP	GRILL GRATE SUPT (VGRT) *EP*	1	EA	NO LONGER AVAILABLE
Not Shown	G9101182FG	GRILL GRATE SUPT (VGRT) *FG*	1	EA	NO LONGER AVAILABLE
Not Shown	G9101182GG	GRILL GRATE SUPPORT - GG	1	EA	Not available online / Call for pricing and availability
Not Shown	G9101182LE	GRILL GRATE SUPT (VGRT) *LE*	1	EA	NO LONGER AVAILABLE, Not available online / Call for pricing and availability
Not Shown	G9101182LN	GRILL GRATE SUPT (VGRT) *LN*	1	EA	NO LONGER AVAILABLE, Not available online / Call for pricing and availability
Not Shown	G9101182MJ	GRILL GRATE SUPT (VGRT) *MJ*	1	EA	NO LONGER AVAILABLE, Not available online / Call for pricing and availability
Not Shown	G9101182PL	GRILL GRATE SUPT (VGRT) *PL*	1	EA	NO LONGER AVAILABLE, Not available online / Call for pricing and availability
Not Shown	G9101182SG	GRILL GRATE SUPT (VGRT) *SG*	1	EA	NO LONGER AVAILABLE, Not available online / Call for pricing and availability
Not Shown	G9101182VB	GRILL GRATE SUPT (VGRT) *VB*	1	EA	NO LONGER AVAILABLE



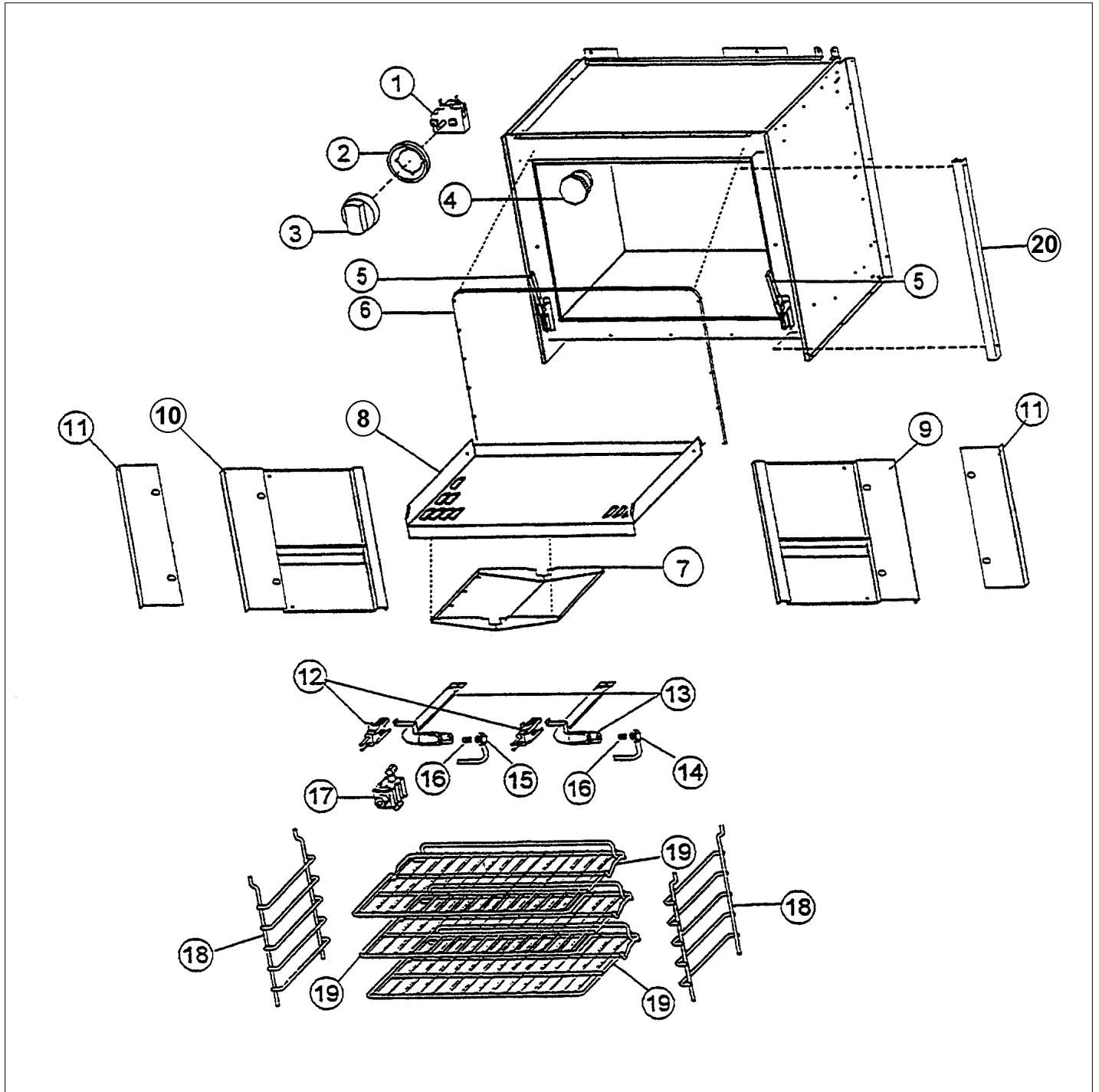


Item	Part No.	Name	Qty	Uom	NOTES
Not Shown	G9101182WH	GRILL GRATE SUPT (VGRT) *WH*	1	EA	
4	B2001140	GRILL FLAME SHIELD (VGRT)	1	EA	
5	PB050077	GRILL BURNER	1	EA	
6	B2001856	GRILL HEAT DEFLECTOR-LH (VGRC60)	1	EA	
7	B2001857	GRILL HEAT DEFLECTOR-RH (VGRC60)	1	EA	
8	A2001633	GRILL FRONT SPARKER BRKT (VGRC)	1	EA	
9	PA020028	SPARK IGNITER	1	EA	
10	A2001855	GRILL BACK - (VGRC605)	1	EA	
11	A2001132	REAR GRILL BURNER BRKT (VGRT)	1	EA	
12	A1001636	GRIDDLE VENTURI COVER	1	EA	
13	A2001631	GRILL BOX FRONT (VGRC)	1	EA	
14	A2001852	GRILL BOX - (VGRC605)	1	EA	
15	A2001863	GRILL BTM SHIELD (VGRC605)	1	EA	
16	PB020025	TUBING-GRILL (REVISED) REP PB020021	1	EA	
17	PA010030	GRILL VALVE-(VGRT)	1	EA	
18	002571-000	UNIVERSAL 60" MANIFOLD	1	EA	NO LONGER AVAILABLE
19	PD010012	1/4 x 3/8 VALVE BOLT	1	EA	
20	PA010039	TOP GRILL KNOB*BK* (VGRC) (N/STYLE	1	EA	
Not Shown	PA010040	TOP GRILL KNOB*WH* (VGRC) (N/STYLE	1	EA	
21	PD030012	6-32 HEX NUT	1	EA	
22	PD010017	BALL STUD (VGRT)	1	EA	
23	PB040061	ORIFICE HOOD - #48	1	EA	
Not Shown	PB040062	ORIFICE HOOD-#56	1	EA	
24	PA020015	Spark Ignition Switch	1	EA	

LH CONTROL-RACK ASSY

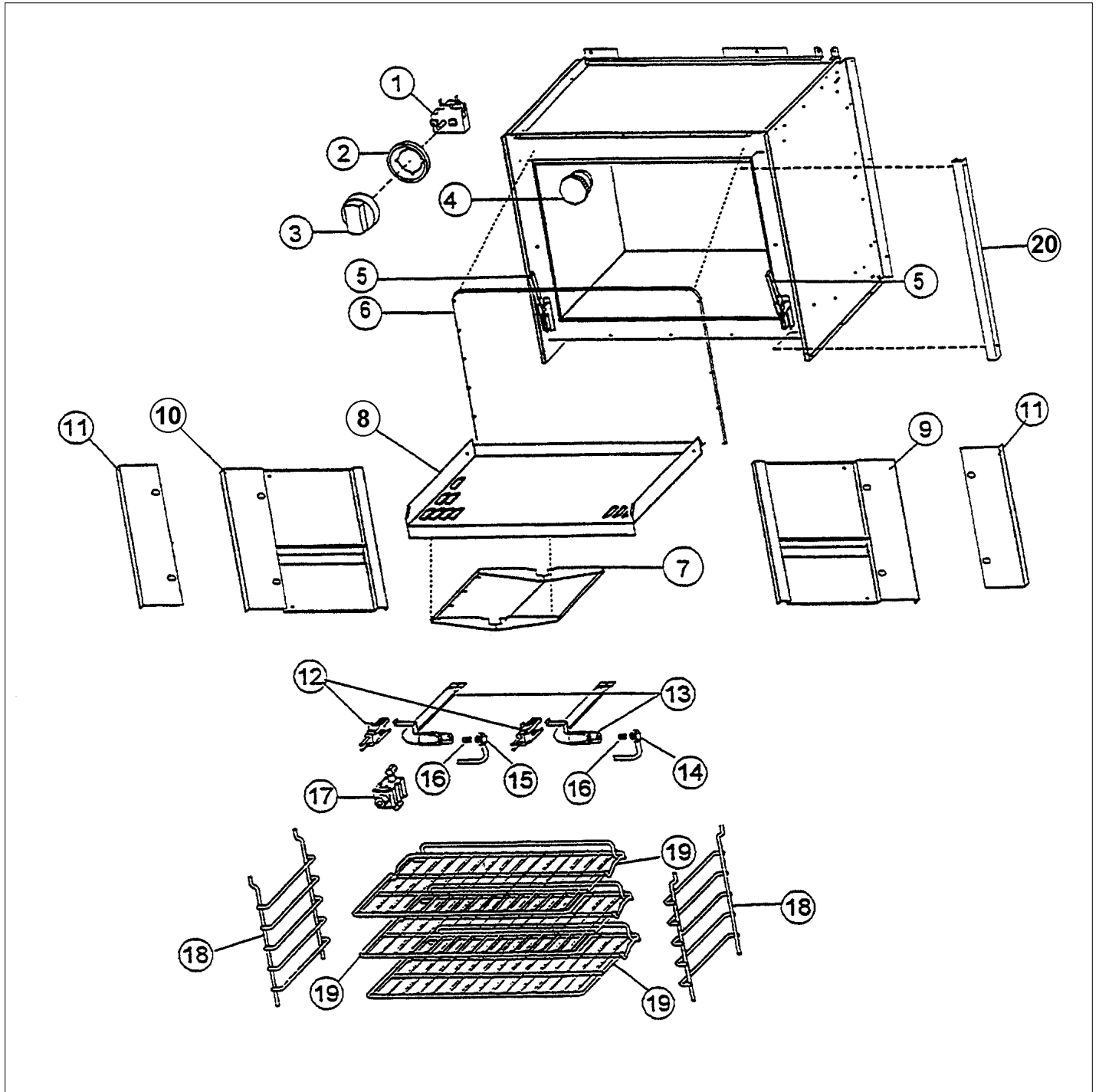


Item	Part No.	Name	Qty	Uom	NOTES
1	PB010035	THERMOSTAT BAKE / GRIDDLE	1	EA	
2	050172-000	BEZEL, KNOB	1	EA	
Not Shown	PB010209	Bezel - BR	1	EA	
3	PB010101	THERMOSTAT BAKE KNOB N/S *BK*	1	EA	
Not Shown	NOTE	(After 1/95)		EA	
3	PB010102	THERMOSTAT BAKE KNOB N/S *WH*	1	EA	NO LONGER AVAILABLE
Not Shown	NOTE	(After 1/95)		EA	
3	PB010095	THERMOSTAT KNOB - BK	1	EA	
Not Shown	NOTE	(Before 1/95)		EA	
3	PB010096	T/STAT BAKE KNOB-*WH*-VGRC-(VELOX)	1	EA	
Not Shown	NOTE	(Before 1/95)		EA	
4	031449-000	LAMP, ASM	1	EA	
5	PC020003	HINGE ASSY (BLUE)	1	EA	
6	PB070031	OVEN DR GASKET RH (VGRC48)	1	EA	
7	A2001358	OVEN BTM HEAT SHIELD (VGSC/VGSS)	1	EA	
8	G3204253	BTM PAN ASSY REPL G9101606	1	EA	
9	G9101626	I/S OVEN LINER WELD ASSY - RH	1	EA	
10	G9101625	I/S OVEN LINER WELD ASSY - LH	1	EA	
11	E9101221	OVEN LINER HINGE COVER (VGRC)	1	EA	
12	PB040001	Igniter	1	EA	
13	PB050012	OVEN BURNER REPL PB050009	1	EA	
Not Shown	NOTE	(After 04/01/94)		EA	
13	G50013898	RH OVEN BAKE BURNER SERVICE KIT	1	EA	





Item	Part No.	Name	Qty	Uom	NOTES
Not Shown	NOTE	(Before 04/01/94)		EA	
14	PB020023	BAKE BURNER TUBE RH OVEN	1	EA	
15	PB020022	BAKE BURNER TUBE LH OVEN	1	EA	
16	PB040052	PIPE NIPPLE - 22" (VGBQ)	1	EA	
16	PB040054	90DEG. ORIFICE FITTING (EURO.GRILL)	1	EA	
17	PB010084	DUAL THERMAL BI-MTL GAS CTRL VALVE	1	EA	
18	PB060029	OVEN RACK SUPT-5 POS. (27")	1	EA	
19	PB060042	RACK REPL VGRC48RH REPL PB060008	1	EA	
20	B2001886	CENTER TRIM - (VGRC60)	1	EA	
20	C9001886AL	CENTER TRIM - *AL* (VGRC60)	1	EA	NO LONGER AVAILABLE, Not available online / Call for pricing and availability
20	C9001886BK	CENTER TRIM - *BK*(VGRC60)	1	EA	NO LONGER AVAILABLE
20	C9001886BT	CENTER TRIM - *BT* (VGRC60)	1	EA	NO LONGER AVAILABLE
20	C9001886BU	CENTER TRIM - *BU*(VGRC60)	1	EA	
20	C9001886CB	CENTER TRIM - *CB* (VGRC60)	1	EA	NO LONGER AVAILABLE, Not available online / Call for pricing and availability
20	C9001886EP	CENTER TRIM - *EP* (VGRC60)	1	EA	NO LONGER AVAILABLE, Not available online / Call for pricing and availability
20	C9001886FG	CENTER TRIM - *FG*(VGRC60)	1	EA	NO LONGER AVAILABLE, Not available online / Call for pricing and availability
20	C9001886GG	CENTER TRIM - *GG* (VGRC60)	1	EA	NO LONGER AVAILABLE, Not available online / Call for pricing and availability
20	C9001886LE	CENTER TRIM - *LE* (VGRC60)	1	EA	NO LONGER AVAILABLE

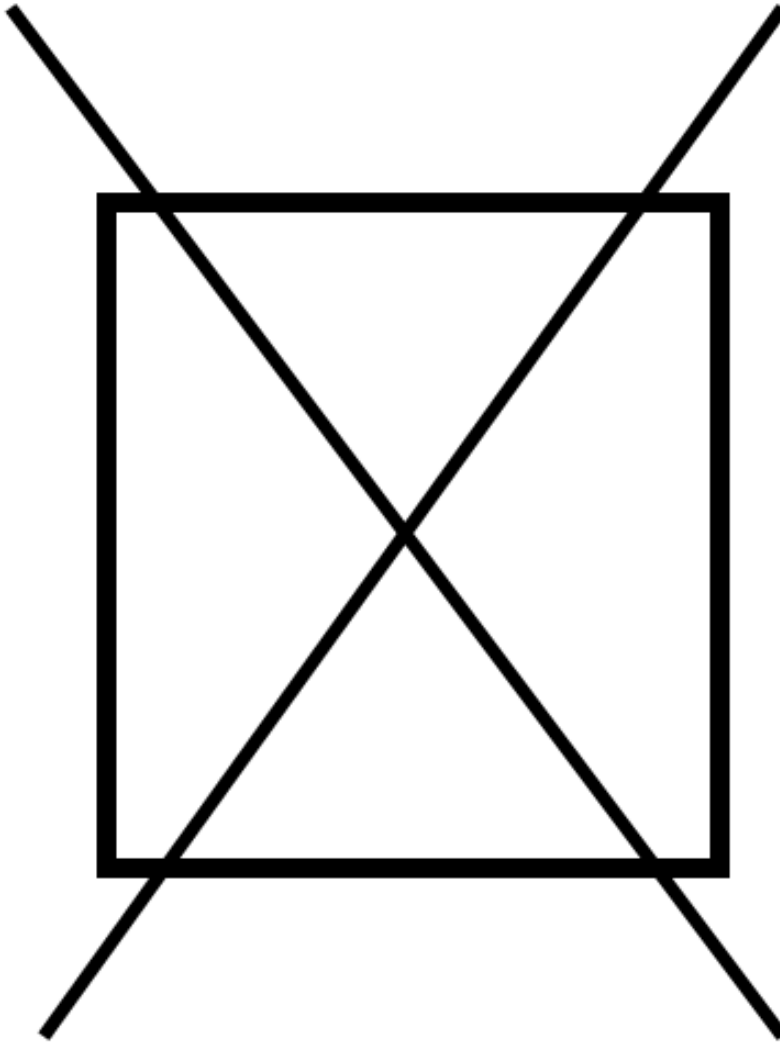




Item	Part No.	Name	Qty	Uom	NOTES
20	C9001886LN	CENTER TRIM - *LN* (VGRC60)	1	EA	NO LONGER AVAILABLE, Not available online / Call for pricing and availability
20	C9001886MJ	CENTER TRIM - *MJ* (VGRC60)	1	EA	NO LONGER AVAILABLE, Not available online / Call for pricing and availability
20	C9001886PL	CENTER TRIM - *PL* (VGRC60)	1	EA	NO LONGER AVAILABLE, Not available online / Call for pricing and availability
20	C9001886SG	CENTER TRIM - *SG* (VGRC60)	1	EA	NO LONGER AVAILABLE, Not available online / Call for pricing and availability
20	C9001886VB	CENTER TRIM - *VB* (VGRC60)	1	EA	NO LONGER AVAILABLE
20	C9001886WH	CENTER TRIM - *WH* (VGRC60)	1	EA	NO LONGER AVAILABLE, Not available online / Call for pricing and availability
NI	PB020039	BAKE SHUTOFF/SAFETY VALVE TUBING (VGRC36)	1	EA	
Not Shown	NOTE	(Manifold to Safety Valve)		EA	

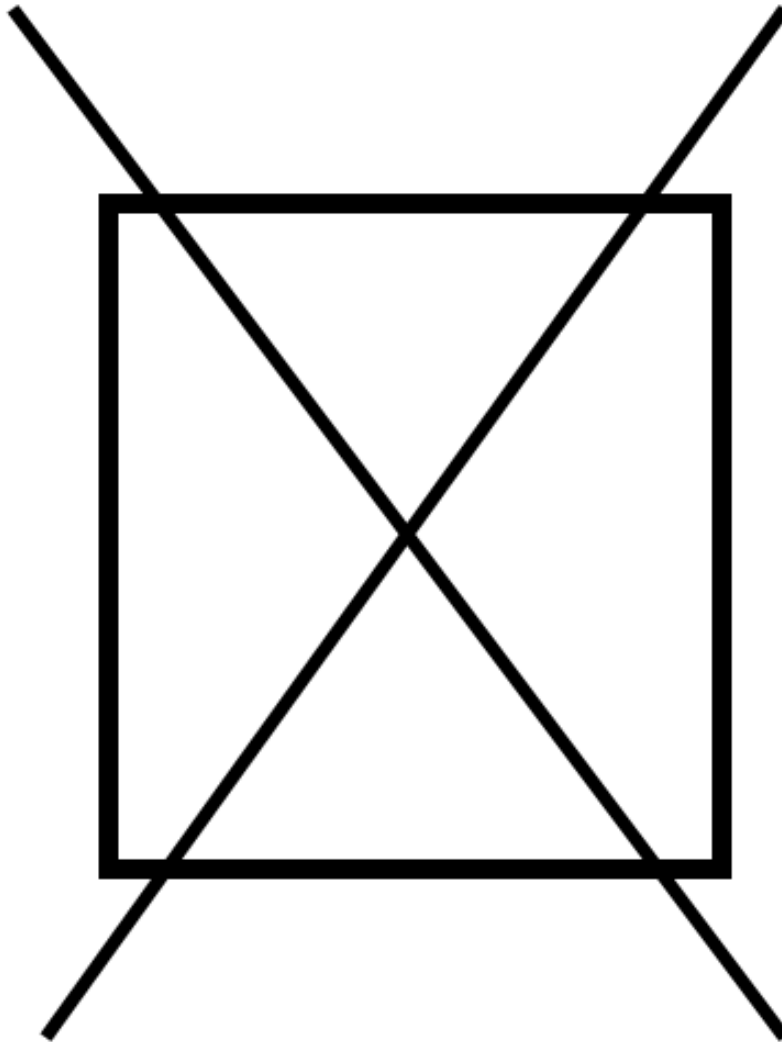
LH OVEN DOOR (60)

NON
ILLUSTRATED PART



Item	Part No.	Name	Qty	Uom	NOTES
A	PE010030	LOGO	1	EA	
A	PE010034	LOGO 6" (VGRC) *BU*	1	EA	NO LONGER AVAILABLE
A	PE010036	LOGO 6" (VGRC) *FG*	1	EA	NO LONGER AVAILABLE
A	PE010032	LOGO 6" (VGRC) *PL*	1	EA	Not available online / Call for pricing and availability
A	PE010035	LOGO 6" (VGRC) *VB*	1	EA	NO LONGER AVAILABLE
A	PE010031	LOGO 6" (VGRC) *BK/WH*	1	EA	NO LONGER AVAILABLE
A	PE010068	LOGO 6" (VGRC) BK/BR	1	EA	
A	PE010076	LOGO 6" (VGRC) *BR/WH*	1	EA	NO LONGER AVAILABLE
B	PE060007	J-MOLD (1" RADIUS)	1	EA	
B	PE060020	J-MOLD (VGSO OVN DOOR) *BR*	1	EA	
C	000268-000	HANDLE ENDCAP	1	EA	
C	PE030001PVD	END CAP DOOR HANDLE *BR	1	EA	
D	PE030005	DOOR HANDLE - VGSC30/RC60/RC48RH	1	EA	
D	PE030012	HANDLE - BR	1	EA	Not available online / Call for pricing and availability
E	A2001447	OUTER DOOR GLASS RETAINER	1	EA	
F	A2001381	HEAT BAFFLE	1	EA	Not available online / Call for pricing and availability
G	PB070034	INSULATION-TRS-10 1" X 20" X 77' ROLL	1	EA	
H	A2001480	INNER DOOR GLASS RETAINER	1	EA	
J	PE060008	GLASS REPL PE060009	1	EA	
K	PB070014	DOOR GLASS SEAL STRIP - WINDOW DRS.	1	EA	
L	H9102312	OVEN DR LINER ASSY RH (VGRC48) W/W	1	EA	
NI	H9102313	OVEN DR LINER ASSY RH (VGRC48) N/W	1	EA	

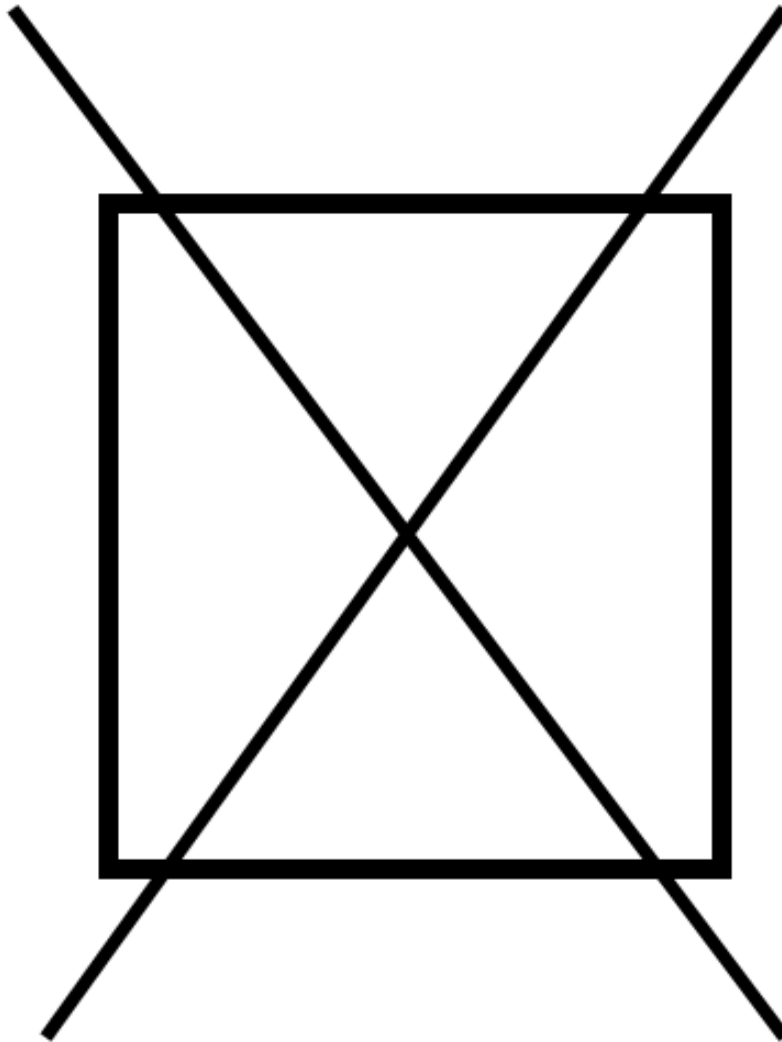
NON
ILLUSTRATED PART





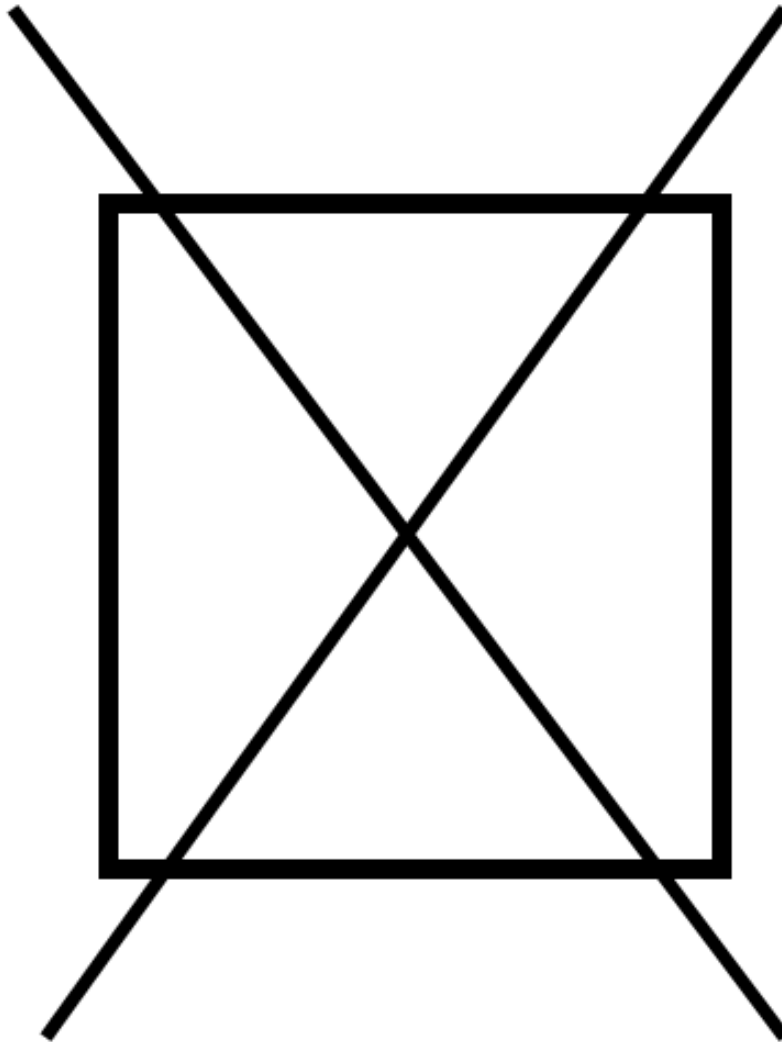
Item	Part No.	Name	Qty	Uom	NOTES
M	A2001547	DOOR INSUL RETAINER RH VGRC48 W/W	1	EA	NO LONGER AVAILABLE, Not available online / Call for pricing and availability
NI	A2001548	DR INSUL. RETAINER (VGRC48)	1	EA	
N	PE060018	OVEN GLASS- TEMPERED,SCREENED*BK*	1	EA	
O	H3001832	O/S DOOR PANEL LH *SS*	1	EA	
O	H9001833AL	O/S DR PANEL LH *AL * W/W 60"	1	EA	NO LONGER AVAILABLE, Not available online / Call for pricing and availability
O	H9001833BK	O/S DR PANEL LH *BK* W/W 60"	1	EA	NO LONGER AVAILABLE
O	H9001833BT	O/S DR PANEL LH *BT* * W/W 60"	1	EA	NO LONGER AVAILABLE
O	H9001833BU	O/S DR PANEL LH *BU* W/W 60"	1	EA	
O	H9001833CB	O/S DR PANEL LH *CB* * W/W 60"	1	EA	NO LONGER AVAILABLE, Not available online / Call for pricing and availability
O	H9001833EP	O/S DR PANEL LH *EP* W/W 60"	1	EA	NO LONGER AVAILABLE, Not available online / Call for pricing and availability
O	H9001833FG	O/S DR PANEL LH *FG* W/W 60"	1	EA	NO LONGER AVAILABLE, Not available online / Call for pricing and availability
O	H9001833GG	O/S DR PANEL LH *GG* W/W 60"	1	EA	NO LONGER AVAILABLE
O	H9001833LE	O/S DR PANEL LH *LE* W/W 60"	1	EA	Not available online / Call for pricing and availability
O	H9001833LN	O/S DR PANEL LH *LN* W/W 60"	1	EA	NO LONGER AVAILABLE, Not available online / Call for pricing and availability

NON ILLUSTRATED PART



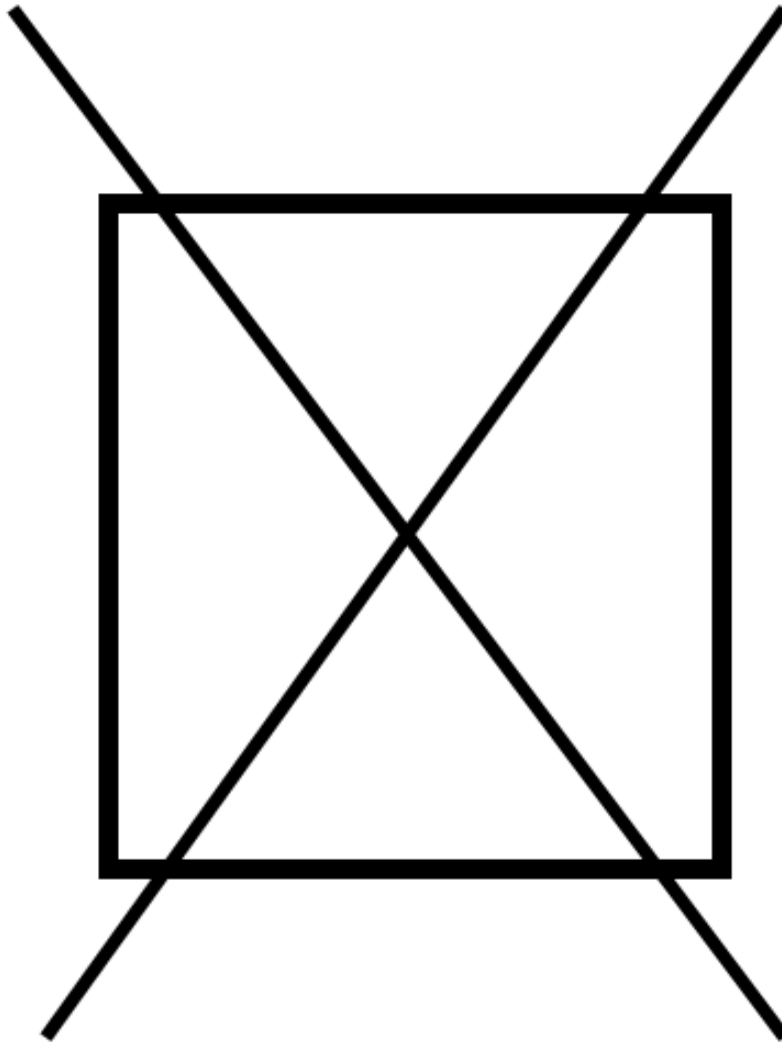
Item	Part No.	Name	Qty	Uom	NOTES
O	H9001833MJ	O/S DR PANEL LH *MJ* W/W 60"	1	EA	NO LONGER AVAILABLE, Not available online / Call for pricing and availability
O	H9001833PL	O/S DR PANEL LH *PL* W/W 60"	1	EA	NO LONGER AVAILABLE, Not available online / Call for pricing and availability
O	H9001833SG	O/S DR PANEL LH *SG* W/W 60"	1	EA	NO LONGER AVAILABLE, Not available online / Call for pricing and availability
O	H9001833VB	O/S DR PANEL LH *VB* W/W 60"	1	EA	NO LONGER AVAILABLE
O	H9001833WH	O/S DR PANEL LH *WH* W/W 60"	1	EA	NO LONGER AVAILABLE, Not available online / Call for pricing and availability
O	B2001829	O/S DOOR PANEL LH N/W (VGRC605)	1	EA	NO LONGER AVAILABLE, Not available online / Call for pricing and availability
O	C9001831AL	O/S DOOR PANEL LH *AL* (VGRC605) N/	1	EA	NO LONGER AVAILABLE, Not available online / Call for pricing and availability
O	C9001831BK	O/S DOOR PANEL LH *BK* (VGRC60) N/	1	EA	NO LONGER AVAILABLE, Not available online / Call for pricing and availability
O	C9001831BT	OUTER DOOR PANEL W/O WINDOW - BT	1	EA	Not available online / Call for pricing and availability
O	C9001831BU	O/S DOOR PANEL LH *BU* (VGRC605) N	1	EA	NO LONGER AVAILABLE, Not available online / Call for pricing and availability
O	C9001831CB	OUTER DOOR PANEL W/O WINDOW - CB	1	EA	Not available online / Call for pricing and availability
O	C9001831EP	OUTER DOOR PANEL W/O WINDOW - EP	1	EA	Not available online / Call for pricing and availability

NON ILLUSTRATED PART



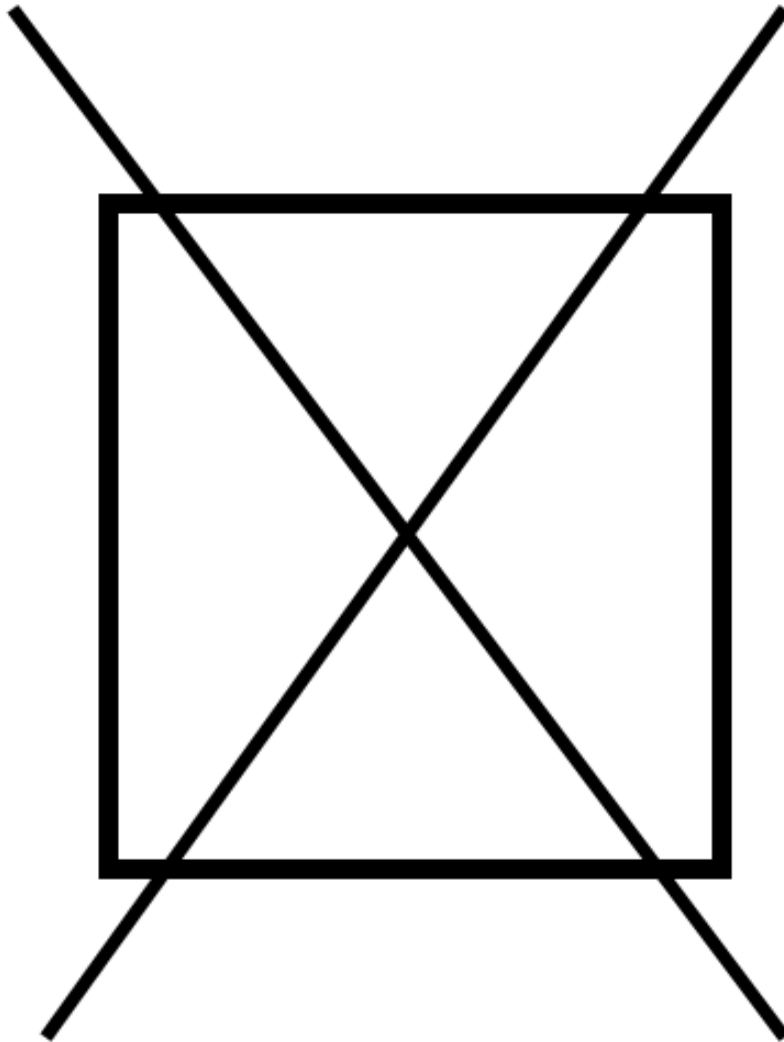
Item	Part No.	Name	Qty	Uom	NOTES
O	C9001831FG	O/S DOOR PANEL LH *FG* (VGRC605) N	1	EA	NO LONGER AVAILABLE, Not available online / Call for pricing and availability
O	C9001831GG	OUTER DOOR PANEL W/O WINDOW - GG	1	EA	Not available online / Call for pricing and availability
O	C9001831LE	OUTER DOOR PANEL W/O WINDOW - LE	1	EA	Not available online / Call for pricing and availability
O	C9001831LN	OUTER DOOR PANEL W/O WINDOW - LN	1	EA	Not available online / Call for pricing and availability
O	C9001831MJ	OUTER DOOR PANEL W/O WINDOW - MJ	1	EA	Not available online / Call for pricing and availability
O	C9001831PL	O/S DOOR PANEL LH *PL* (VGRC605) N	1	EA	NO LONGER AVAILABLE, Not available online / Call for pricing and availability
O	C9001831SG	OUTER DOOR PANEL W/O WINDOW - SG	1	EA	Not available online / Call for pricing and availability
O	C9001831VB	O/S DOOR PANEL LH *VB* (VGRC605) N	1	EA	NO LONGER AVAILABLE, Not available online / Call for pricing and availability
O	C9001831WH	O/S DOOR PANEL LH *WH* (VGRC605) N	1	EA	NO LONGER AVAILABLE, Not available online / Call for pricing and availability
P	G3201845AL	DOOR ASSY LH *AL* (60") W/W	1	EA	NO LONGER AVAILABLE, Not available online / Call for pricing and availability
P	G3201845ALBR	DOOR ASSY *AL*	1	EA	NO LONGER AVAILABLE, Not available online / Call for pricing and availability

NON ILLUSTRATED PART



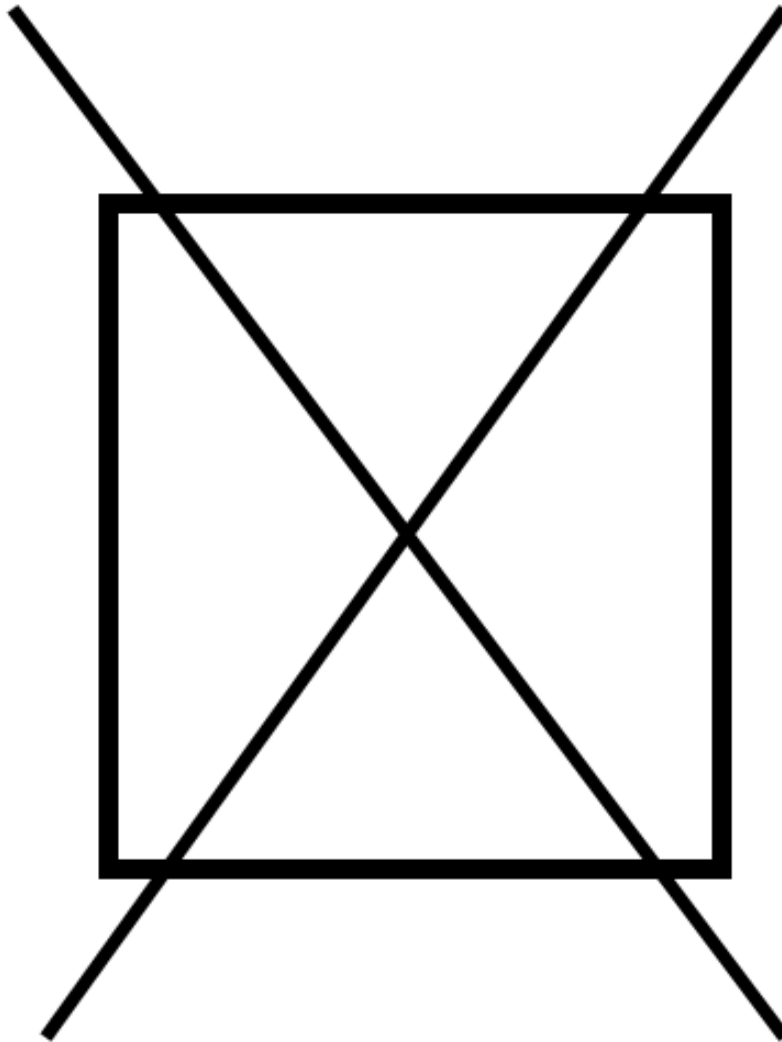
Item	Part No.	Name	Qty	Uom	NOTES
P	G3201845BK	DOOR ASSY LH *BK* (60") W/W	1	EA	NO LONGER AVAILABLE, Not available online / Call for pricing and availability
P	G3201845BKBR	DOOR ASSY *BK*	1	EA	NO LONGER AVAILABLE, Not available online / Call for pricing and availability
P	G3201845BT	DOOR ASSY LH *BT* (60") W/W	1	EA	NO LONGER AVAILABLE, Not available online / Call for pricing and availability
P	G3201845BTBR	COMPLETE DOOR ASSY. W/WINDOW - BTBR	1	EA	Not available online / Call for pricing and availability
P	G3201845BU	DOOR ASSY LH *BU* (60")W/W	1	EA	NO LONGER AVAILABLE, Not available online / Call for pricing and availability
P	G3201845BUBR	DOOR ASSY *BU*	1	EA	NO LONGER AVAILABLE, Not available online / Call for pricing and availability
P	G3201845CB	DOOR ASSY LH *CB* (60") W/W	1	EA	NO LONGER AVAILABLE, Not available online / Call for pricing and availability
P	G3201845CBBR	COMPLETE DOOR ASSY. W/WINDOW - CBBR	1	EA	Not available online / Call for pricing and availability
P	G3201845EP	DOOR ASSY LH *EP* (60") W/W	1	EA	NO LONGER AVAILABLE, Not available online / Call for pricing and availability
P	G3201845EPBR	COMPLETE DOOR ASSY. W/WINDOW - EPBR	1	EA	Not available online / Call for pricing and availability
P	G3201845FG	DOOR ASSY LH *FG* (60") W/W	1	EA	NO LONGER AVAILABLE, Not available online / Call for pricing and availability

NON
ILLUSTRATED PART



Item	Part No.	Name	Qty	Uom	NOTES
P	G3201845FGBR	DOOR ASSY *FG*	1	EA	NO LONGER AVAILABLE, Not available online / Call for pricing and availability
P	G3201845GG	DOOR ASSY *GG* (60")	1	EA	NO LONGER AVAILABLE, Not available online / Call for pricing and availability
P	G3201845GGBR	DOOR ASSY *GG*BR* (60")	1	EA	NO LONGER AVAILABLE, Not available online / Call for pricing and availability
P	G3201845LE	DOOR ASSY LH *LE* (60") W/W	1	EA	NO LONGER AVAILABLE, Not available online / Call for pricing and availability
P	G3201845LEBR	COMPLETE DOOR ASSY. W/WINDOW - LEBR	1	EA	Not available online / Call for pricing and availability
P	G3201845LN	DOOR ASSY *LN* (60")	1	EA	NO LONGER AVAILABLE, Not available online / Call for pricing and availability
P	G3201845LNBR	COMPLETE DOOR ASSY. W/WINDOW - LNBR	1	EA	Not available online / Call for pricing and availability
P	G3201845MJ	DOOR ASSY LH *MJ* (60") W/W	1	EA	NO LONGER AVAILABLE, Not available online / Call for pricing and availability
P	G3201845MJBR	COMPLETE DOOR ASSY. W/WINDOW - MJBR	1	EA	Not available online / Call for pricing and availability
P	G3201845PL	DOOR ASSY LH *PL* (60")W/W	1	EA	NO LONGER AVAILABLE, Not available online / Call for pricing and availability
P	G3201845PLBR	DOOR ASSY *PL*	1	EA	NO LONGER AVAILABLE, Not available online / Call for pricing and availability

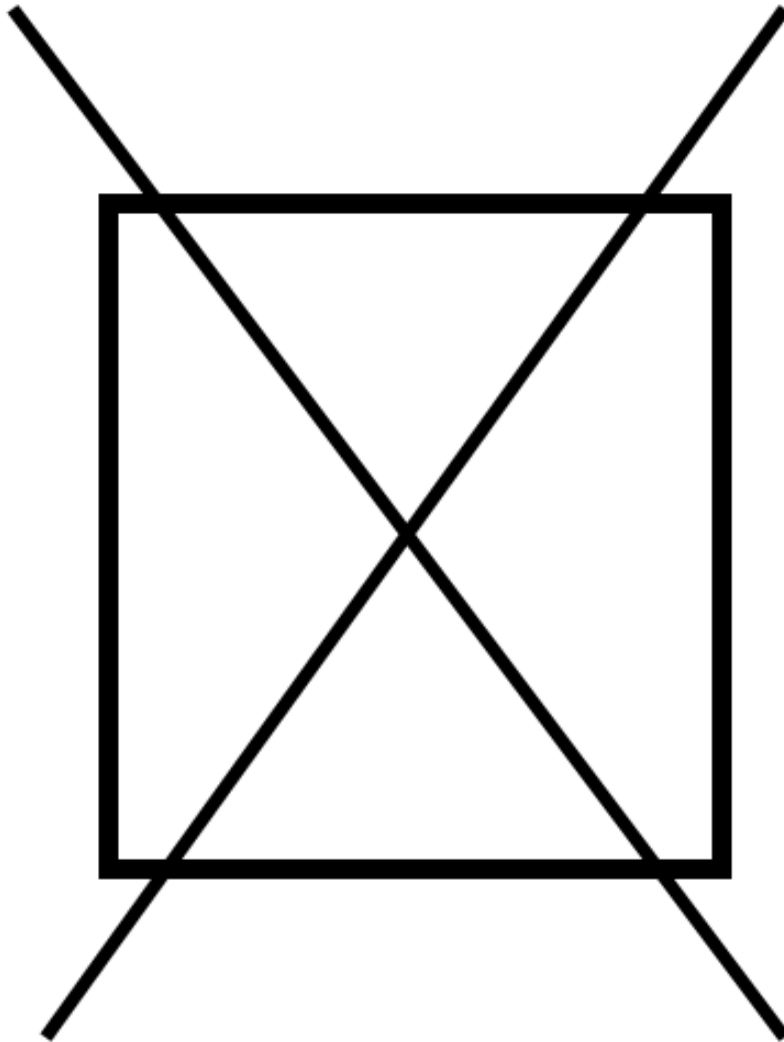
NON ILLUSTRATED PART





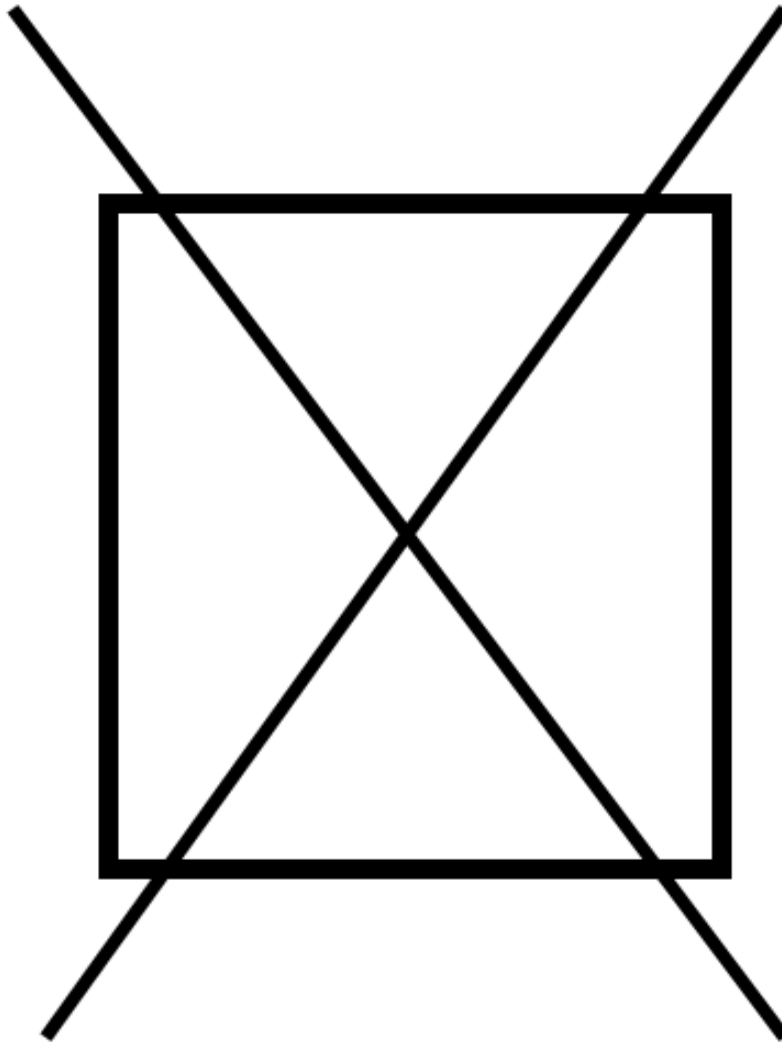
Item	Part No.	Name	Qty	Uom	NOTES
P	G3201845SG	DOOR ASSY LH *SG* (60") W/W	1	EA	NO LONGER AVAILABLE, Not available online / Call for pricing and availability
P	G3201845SGBR	COMPLETE DOOR ASSY. W/WINDOW - SGBR	1	EA	Not available online / Call for pricing and availability
P	G3201845SS	DOOR ASSY LH *SS* (60")W/W	1	EA	NO LONGER AVAILABLE
P	G3201845SSBR	DOOR ASSY LH *SS**BR* (60") W/W	1	EA	NO LONGER AVAILABLE, Not available online / Call for pricing and availability
P	G3201845VB	DOOR ASSY LH *VB* (60")W/W	1	EA	NO LONGER AVAILABLE, Not available online / Call for pricing and availability
P	G3201845VBBR	DOOR ASSY *VB*	1	EA	NO LONGER AVAILABLE, Not available online / Call for pricing and availability
P	G3201845WH	DOOR ASSY LH *WH* (60") W/W	1	EA	NO LONGER AVAILABLE, Not available online / Call for pricing and availability
P	G3201845WHBR	DOOR ASSY *WH*	1	EA	NO LONGER AVAILABLE, Not available online / Call for pricing and availability
NI	G3201847AL	DOOR ASSY LH *AL* (60") N/W	1	EA	NO LONGER AVAILABLE, Not available online / Call for pricing and availability
NI	G3201847ALBR	DOOR ASSY *AL*	1	EA	NO LONGER AVAILABLE, Not available online / Call for pricing and availability
NI	G3201847BK	DOOR ASSY LH *BK* (60")N/W	1	EA	NO LONGER AVAILABLE, Not available online / Call for pricing and availability

NON
ILLUSTRATED PART



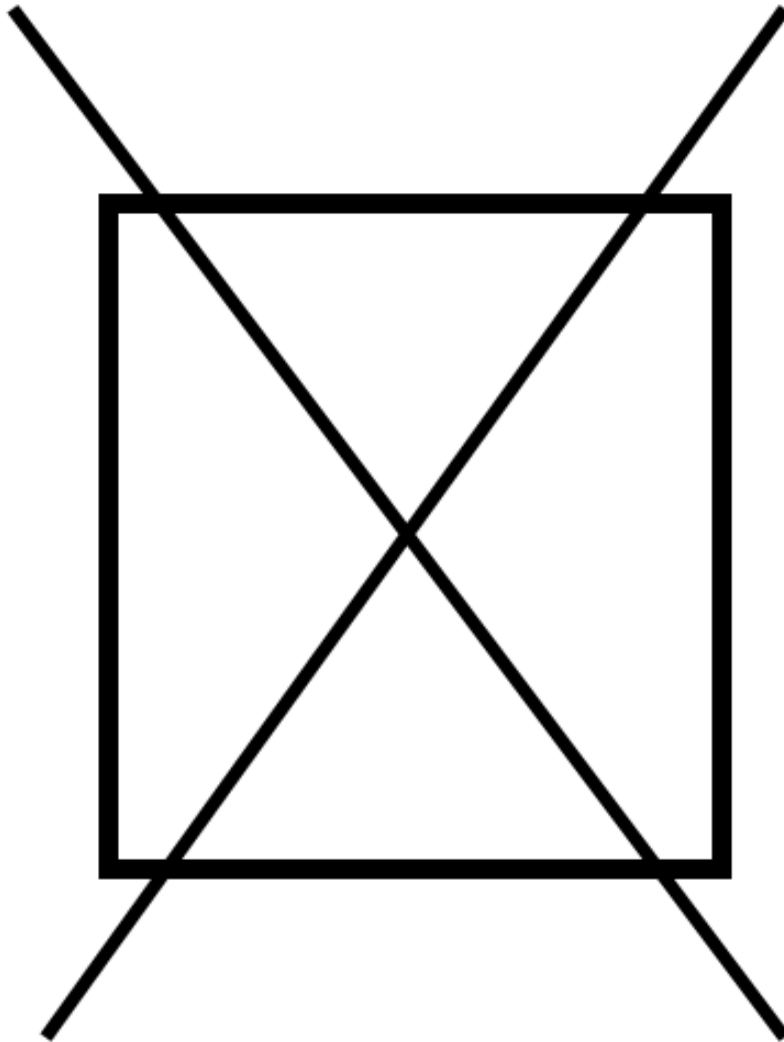
Item	Part No.	Name	Qty	Uom	NOTES
NI	G3201847BKBR	DOOR ASSY *BK*	1	EA	NO LONGER AVAILABLE, Not available online / Call for pricing and availability
NI	G3201847BT	COMPLETE DOOR ASSY. W/O WINDOW - BT	1	EA	Not available online / Call for pricing and availability
NI	G3201847BTBR	COMPLETE DOOR ASSY. W/O WINDOW - BTBR	1	EA	Not available online / Call for pricing and availability
NI	G3201847BU	DOOR ASSY LH *BU* (60")N/W	1	EA	NO LONGER AVAILABLE, Not available online / Call for pricing and availability
NI	G3201847BUBR	DOOR ASSY *BU*	1	EA	NO LONGER AVAILABLE, Not available online / Call for pricing and availability
NI	G3201847CB	COMPLETE DOOR ASSY. W/O WINDOW - CB	1	EA	Not available online / Call for pricing and availability
NI	G3201847CBBR	COMPLETE DOOR ASSY. W/O WINDOW - CBBR	1	EA	Not available online / Call for pricing and availability
NI	G3201847EP	COMPLETE DOOR ASSY. W/O WINDOW - EP	1	EA	Not available online / Call for pricing and availability
NI	G3201847EPBR	COMPLETE DOOR ASSY. W/O WINDOW - EPBR	1	EA	Not available online / Call for pricing and availability
NI	G3201847FG	DOOR ASSY LH *FG* (60")N/W	1	EA	NO LONGER AVAILABLE, Not available online / Call for pricing and availability
NI	G3201847FGBR	DOOR ASSY *FG*	1	EA	NO LONGER AVAILABLE, Not available online / Call for pricing and availability
NI	G3201847GG	COMPLETE DOOR ASSY. W/O WINDOW - GG	1	EA	Not available online / Call for pricing and availability

NON
ILLUSTRATED PART



Item	Part No.	Name	Qty	Uom	NOTES
NI	G3201847GGBR	COMPLETE DOOR ASSY. W/O WINDOW - GGBR	1	EA	Not available online / Call for pricing and availability
NI	G3201847LE	COMPLETE DOOR ASSY. W/O WINDOW - LE	1	EA	Not available online / Call for pricing and availability
NI	G3201847LEBR	COMPLETE DOOR ASSY. W/O WINDOW - LEBR	1	EA	Not available online / Call for pricing and availability
NI	G3201847LN	COMPLETE DOOR ASSY. W/O WINDOW - LN	1	EA	Not available online / Call for pricing and availability
NI	G3201847LNBR	COMPLETE DOOR ASSY. W/O WINDOW - LNBR	1	EA	Not available online / Call for pricing and availability
NI	G3201847MJ	COMPLETE DOOR ASSY. W/O WINDOW - MJ	1	EA	Not available online / Call for pricing and availability
NI	G3201847MJBR	COMPLETE DOOR ASSY. W/O WINDOW - MJBR	1	EA	Not available online / Call for pricing and availability
NI	G3201847PL	DOOR ASSY LH *PL*(60") N/W	1	EA	NO LONGER AVAILABLE, Not available online / Call for pricing and availability
NI	G3201847PLBR	DOOR ASSY *PL*	1	EA	NO LONGER AVAILABLE, Not available online / Call for pricing and availability
NI	G3201847SG	COMPLETE DOOR ASSY. W/O WINDOW - SG	1	EA	Not available online / Call for pricing and availability
NI	G3201847SGBR	COMPLETE DOOR ASSY. W/O WINDOW - SGBR	1	EA	Not available online / Call for pricing and availability
NI	G3201847SS	DOOR ASSY LH *SS*(60")N/W	1	EA	NO LONGER AVAILABLE, Not available online / Call for pricing and availability
NI	G3201847SSBR	DOOR ASSY LH *SS**BR*(60") N/W	1	EA	NO LONGER AVAILABLE

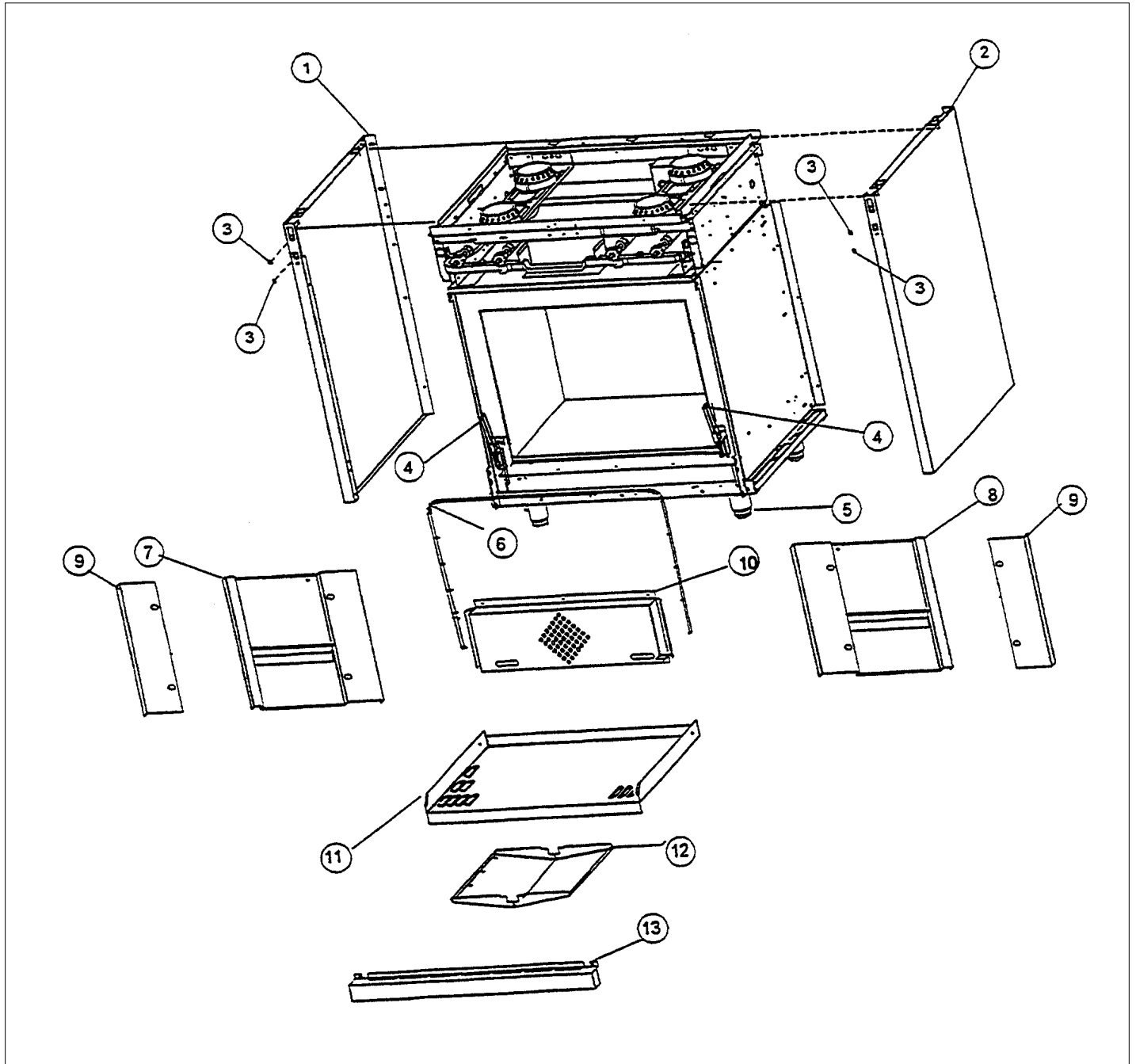
NON
ILLUSTRATED PART



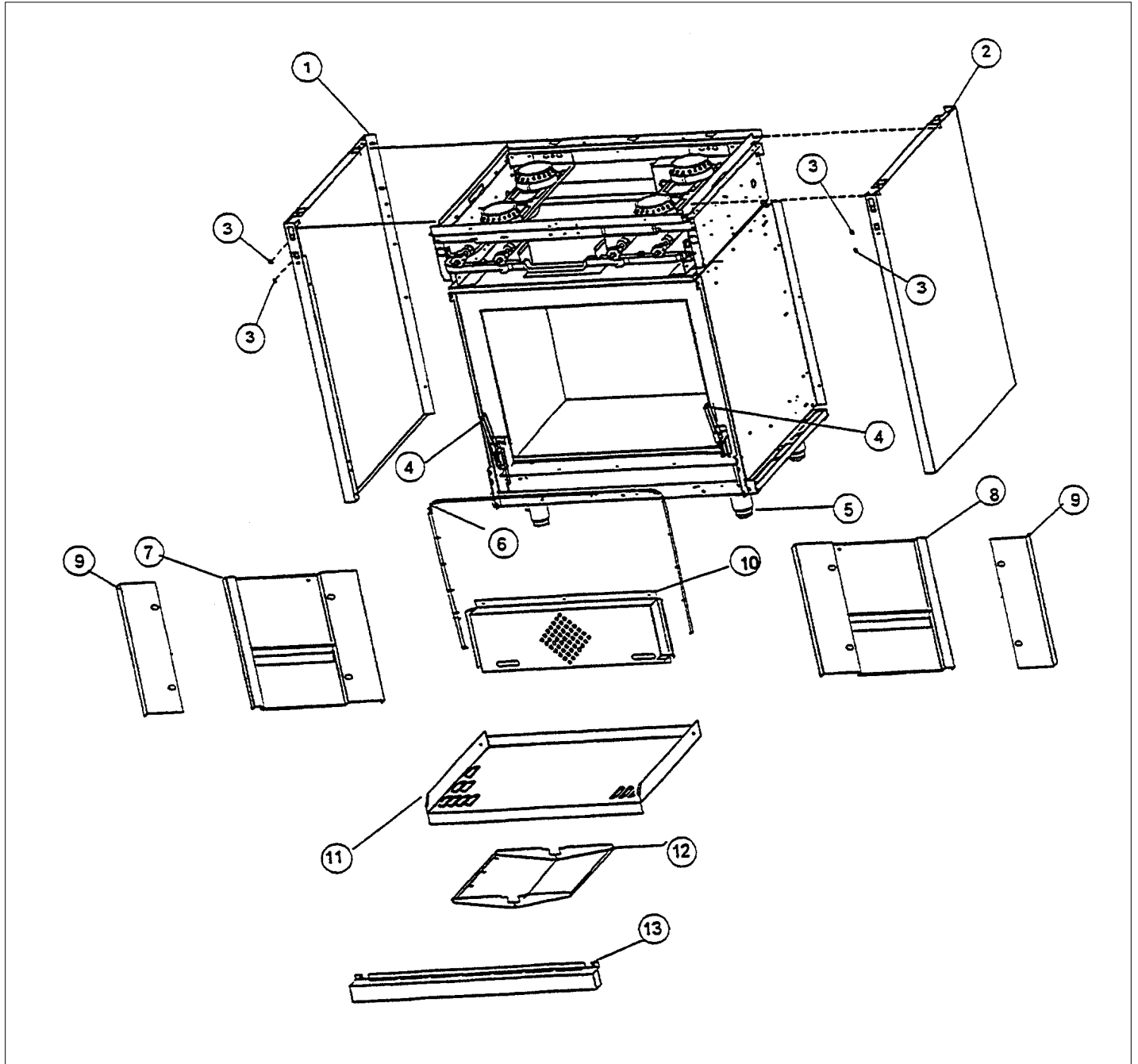


Item	Part No.	Name	Qty	Uom	NOTES
NI	G3201847VB	DOOR ASSY LH *VB* (60")N/W	1	EA	NO LONGER AVAILABLE, Not available online / Call for pricing and availability
NI	G3201847VBBR	DOOR ASSY *VB*	1	EA	NO LONGER AVAILABLE, Not available online / Call for pricing and availability
NI	G3201847WH	DOOR ASSY LH *WH* (60")N/W	1	EA	NO LONGER AVAILABLE, Not available online / Call for pricing and availability
NI	G3201847WHBR	DOOR ASSY *WH*	1	EA	NO LONGER AVAILABLE, Not available online / Call for pricing and availability
NI	PD020032	SRW-8(A)X3/8"PH.WFR HD 7/16DIA*NICL	1	EA	

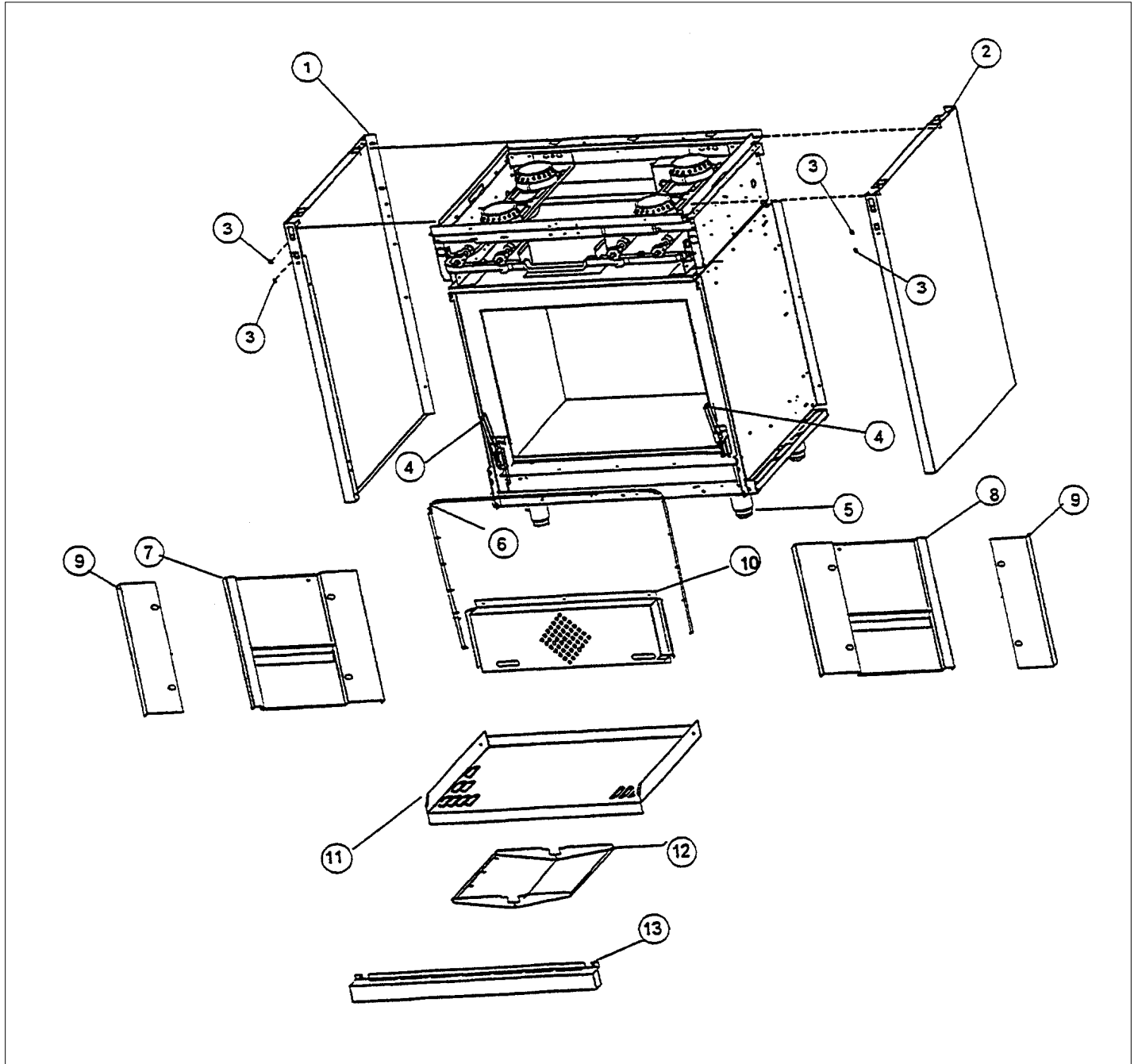
PANEL-OVEN ASSY



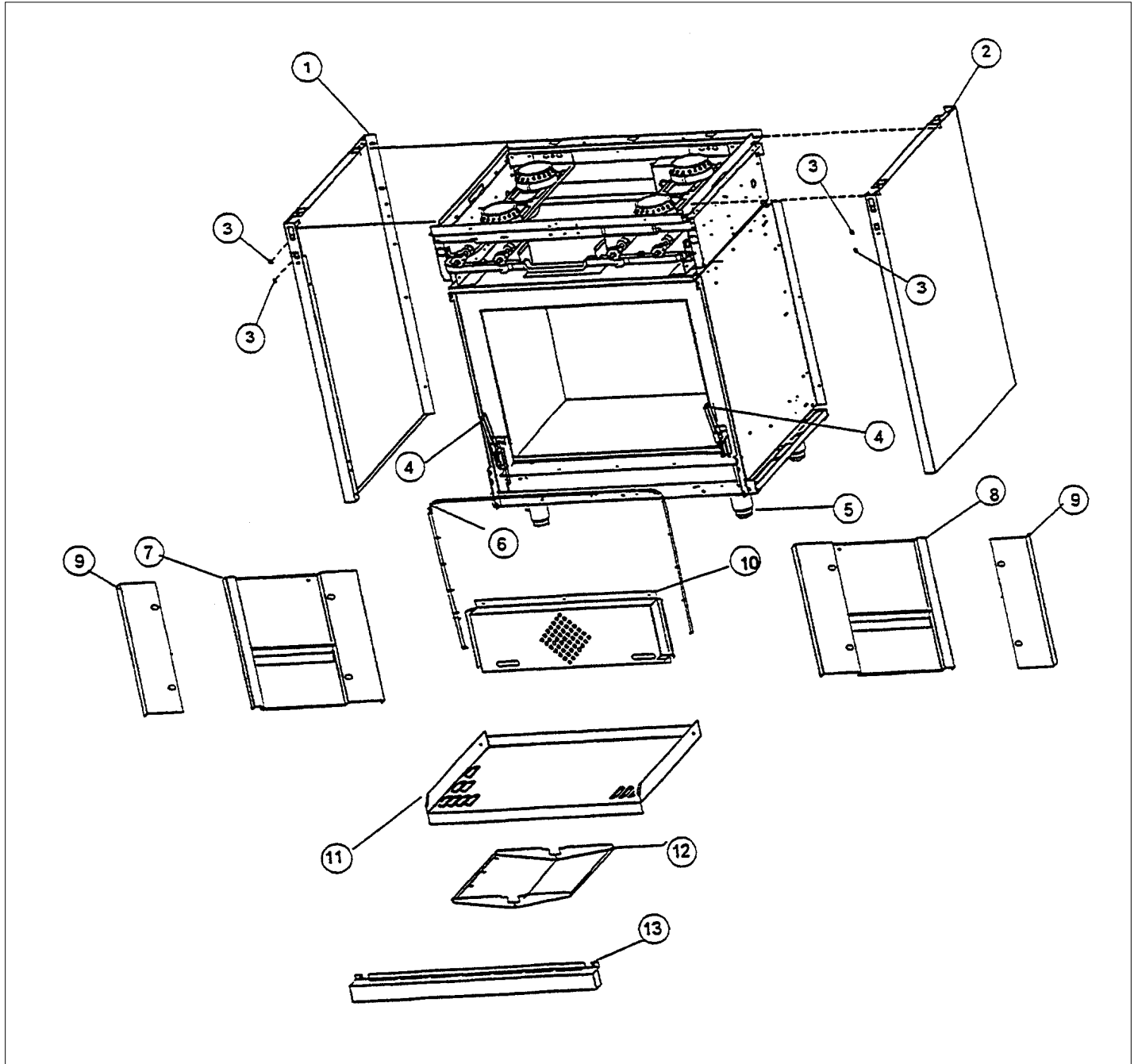
Item	Part No.	Name	Qty	Uom	NOTES
1	B2001918	SIDE PANEL-LH (VGRC)	1	EA	
Not Shown	C9001918AL	O/S BODY PANEL LH *AL* (VGRC)	1	EA	Not available online / Call for pricing and availability
Not Shown	C9001918BK	O/S BODY PANEL LH *BK* (VGRC)	1	EA	Not available online / Call for pricing and availability
Not Shown	C9001918BT	O/S BODY PANEL LH *BT* (VGRC)	1	EA	NO LONGER AVAILABLE, Not available online / Call for pricing and availability
Not Shown	C9001918BU	O/S BODY PANEL LH *BU* (VGRC)	1	EA	Not available online / Call for pricing and availability
Not Shown	C9001918CB	O/S BODY PANEL LH *CB* (VGRC)	1	EA	NO LONGER AVAILABLE, Not available online / Call for pricing and availability
Not Shown	C9001918EP	O/S BODY PANEL LH *EP* (VGRC)	1	EA	NO LONGER AVAILABLE, Not available online / Call for pricing and availability
Not Shown	C9001918FG	O/S BODY PANEL LH *FG* (VGRC)	1	EA	NO LONGER AVAILABLE, Not available online / Call for pricing and availability
Not Shown	C9001918GG	O/S BODY PANEL LH *GG* (VGRC)	1	EA	NO LONGER AVAILABLE, Not available online / Call for pricing and availability
Not Shown	C9001918LE	O/S BODY PANEL LH *LE* (VGRC)	1	EA	NO LONGER AVAILABLE, Not available online / Call for pricing and availability
Not Shown	C9001918LN	O/S BODY PANEL LH *LN* (VGRC)	1	EA	NO LONGER AVAILABLE, Not available online / Call for pricing and availability
Not Shown	C9001918MJ	O/S BODY PANEL LH *MJ* (VGRC)	1	EA	NO LONGER AVAILABLE, Not available online / Call for pricing and availability



Item	Part No.	Name	Qty	Uom	NOTES
Not Shown	C9001918PL	O/S BODY PANEL LH *PL* (VGRC)	1	EA	NO LONGER AVAILABLE, Not available online / Call for pricing and availability
Not Shown	C9001918SG	O/S BODY PANEL LH *SG* (VGRC)	1	EA	NO LONGER AVAILABLE, Not available online / Call for pricing and availability
Not Shown	C9001918VB	O/S BODY PANEL LH *VB* (VGRC)	1	EA	NO LONGER AVAILABLE
Not Shown	C9001918WH	O/S BODY PANEL LH *WH* (VGRC)	1	EA	Not available online / Call for pricing and availability
2	B2001917	SIDE PANEL-RH (VGRC)	1	EA	
Not Shown	C9001917AL	O/S BODY PANEL RH *A* (VGRC)	1	EA	
Not Shown	C9001917BK	O/S BODY PANEL RH *BK* (VGRC)	1	EA	Not available online / Call for pricing and availability
Not Shown	C9001917BT	O/S BODY PANEL RH *BT* (VGRC)	1	EA	NO LONGER AVAILABLE, Not available online / Call for pricing and availability
Not Shown	C9001917BU	O/S BODY PANEL RH *BU* (VGRC)	1	EA	Not available online / Call for pricing and availability
Not Shown	C9001917CB	O/S BODY PANEL RH *CB* (VGRC)	1	EA	NO LONGER AVAILABLE
Not Shown	C9001917EP	O/S BODY PANEL RH *EP* (VGRC)	1	EA	NO LONGER AVAILABLE, Not available online / Call for pricing and availability
Not Shown	C9001917FG	O/S BODY PANEL RH *FG* (VGRC)	1	EA	NO LONGER AVAILABLE, Not available online / Call for pricing and availability
Not Shown	C9001917GG	O/S BODY PANEL RH *GG* (VGRC)	1	EA	NO LONGER AVAILABLE, Not available online / Call for pricing and availability

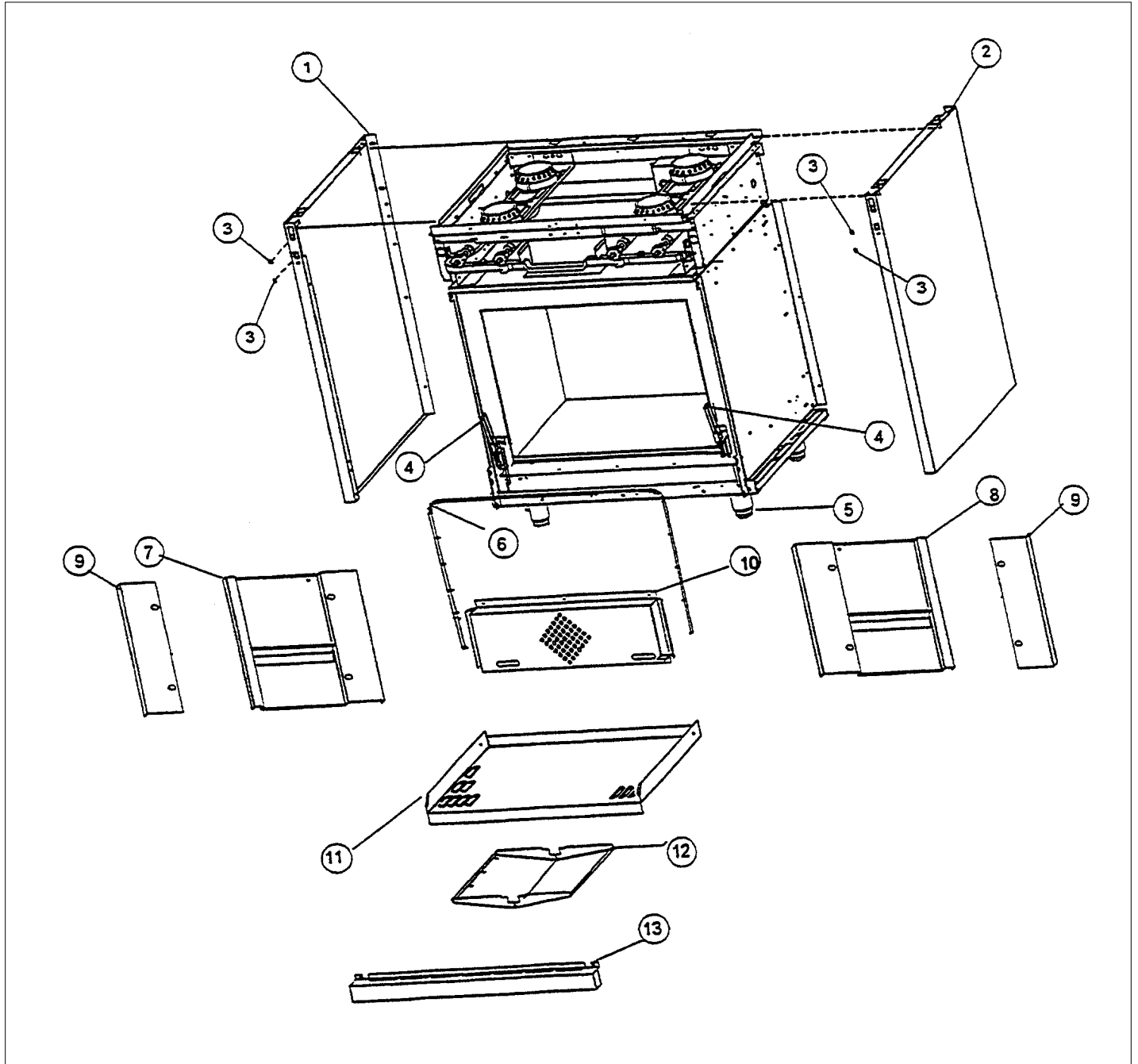


Item	Part No.	Name	Qty	Uom	NOTES
Not Shown	C9001917LE	O/S BODY PANEL RH *LE* (VGRC)	1	EA	NO LONGER AVAILABLE, Not available online / Call for pricing and availability
Not Shown	C9001917LN	O/S BODY PANEL RH *LN* (VGRC)	1	EA	NO LONGER AVAILABLE, Not available online / Call for pricing and availability
Not Shown	C9001917MJ	O/S BODY PANEL RH *MJ* (VGRC)	1	EA	NO LONGER AVAILABLE, Not available online / Call for pricing and availability
Not Shown	C9001917PL	O/S BODY PANEL RH *PL* (VGRC)	1	EA	NO LONGER AVAILABLE, Not available online / Call for pricing and availability
Not Shown	C9001917SG	O/S BODY PANEL RH *SG* (VGRC)	1	EA	NO LONGER AVAILABLE, Not available online / Call for pricing and availability
Not Shown	C9001917VB	O/S BODY PANEL RH *VB* (VGRC)	1	EA	NO LONGER AVAILABLE
Not Shown	C9001917WH	O/S BODY PANEL RH *WH* (VGRC)	1	EA	
3	PD030005	SELF RETAINING NUT	1	EA	
4	PC020003	HINGE ASSY (BLUE)	1	EA	
5	PC030018	LEG (6") 2 3/8" REPLA PC030006	1	EA	
6	PB070031	OVEN DR GASKET RH (VGRC48)	1	EA	
7	G9101625	I/S OVEN LINER WELD ASSY - LH	1	EA	
8	G9101626	I/S OVEN LINER WELD ASSY - RH	1	EA	
9	E9101221	OVEN LINER HINGE COVER (VGRC)	1	EA	
10	E9107600	CONVECTION FAN COVER	1	EA	
11	G3204253	BTM PAN ASSY REPL G9101606	1	EA	
12	A2002269	OVEN BTM HEAT SHIELD	1	EA	





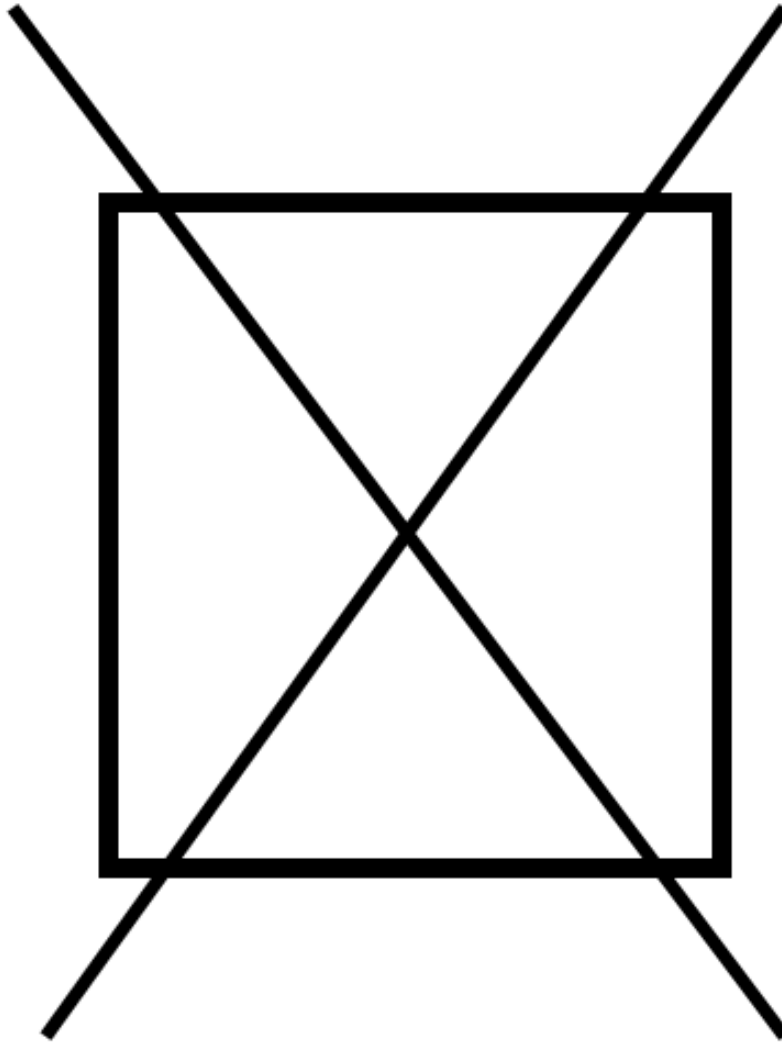
Item	Part No.	Name	Qty	Uom	NOTES
Comments for Part Num. A2002269					
gboltz@VikingRange.com on Aug 9, 2016					
DO NOT ORDER JUST HEAT SHIELD ORDER BTM OVEN PANEL ASSY ONLY					
Not Shown	NOTE	(MUST ORDER ITEM # 11)		EA	
13	B2001815	LOWER ACC PAN - (VGRC605)	1	EA	
13	C9001815AL	LOWER ACC PAN - *AL* (VGRC605)	1	EA	Not available online / Call for pricing and availability
13	C9001815BK	LOWER ACC PAN - *BK* (VGRC605)	1	EA	
13	C9001815BT	LOWER ACC PAN - *BT* (VGRC605)	1	EA	NO LONGER AVAILABLE
13	C9001815BU	LOWER ACC PAN - *BU* (VGRC605)	1	EA	Not available online / Call for pricing and availability
13	C9001815CB	LOWER ACC PAN - *CB* (VGRC605)	1	EA	Not available online / Call for pricing and availability
13	C9001815EP	LOWER ACC PAN - *EP* (VGRC605)	1	EA	NO LONGER AVAILABLE, Not available online / Call for pricing and availability
13	C9001815FG	LOWER ACC PAN - *FG* (VGRC605)	1	EA	NO LONGER AVAILABLE, Not available online / Call for pricing and availability
13	C9001815GG	LOWER ACC PAN - *GG* (VGRC605)	1	EA	NO LONGER AVAILABLE
13	C9001815LE	LOWER ACC PAN - *LE* (VGRC605)	1	EA	NO LONGER AVAILABLE
13	C9001815LN	LOWER ACC PAN - *LN* (VGRC605)	1	EA	NO LONGER AVAILABLE, Not available online / Call for pricing and availability
13	C9001815MJ	LOWER ACC PAN - *MJ* (VGRC605)	1	EA	NO LONGER AVAILABLE, Not available online / Call for pricing and availability





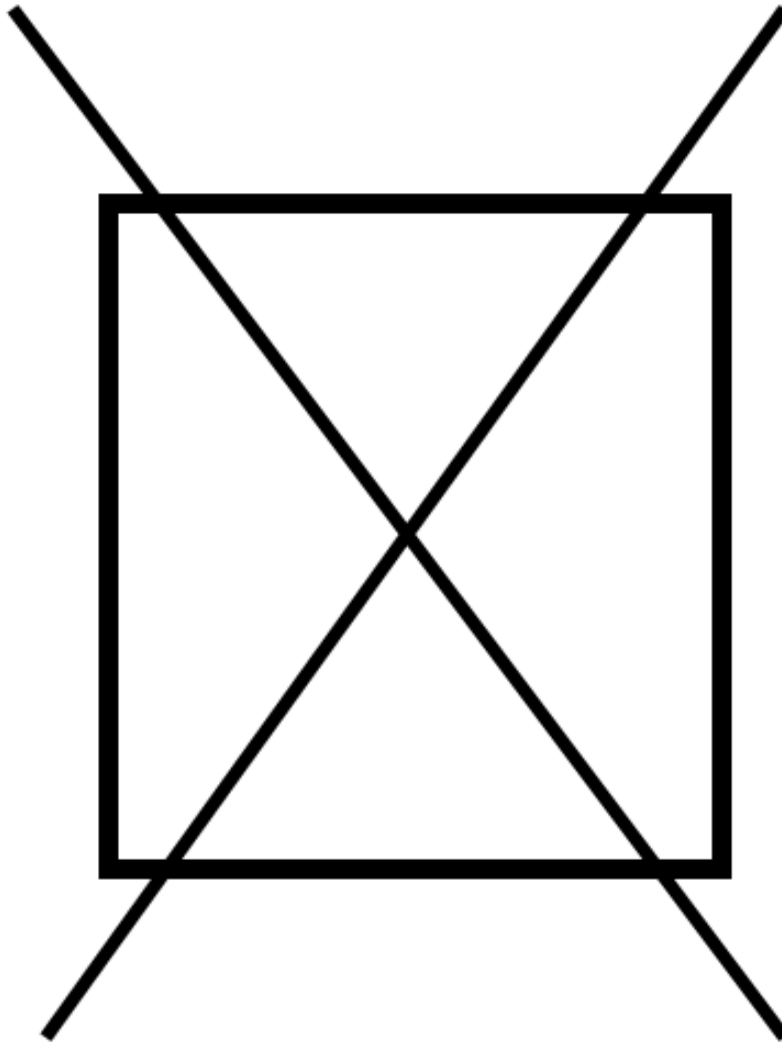
Item	Part No.	Name	Qty	Uom	NOTES
13	C9001815PL	LOWER ACC PAN - *PL* (VGRC605)	1	EA	NO LONGER AVAILABLE
13	C9001815SG	LOWER ACC PAN - *SG* (VGRC605)	1	EA	
13	C9001815VB	LOWER ACC PAN - *VB* (VGRC605)	1	EA	NO LONGER AVAILABLE
13	C9001815WH	LOWER ACC PAN - *WH* (VGRC605)	1	EA	

NON
ILLUSTRATED PART



Item	Part No.	Name	Qty	Uom	NOTES
B	PE060007	J-MOLD (1" RADIUS)	1	EA	
B	PE060020	J-MOLD (VGSO OVN DOOR) *BR*	1	EA	
C	000268-000	HANDLE ENDCAP	1	EA	
C	PE030001PVD	END CAP DOOR HANDLE *BR	1	EA	
D	PE030005	DOOR HANDLE - VGSC30/RC60/RC48RH	1	EA	
D	PE030012	HANDLE - BR	1	EA	Not available online / Call for pricing and availability
E	A2001447	OUTER DOOR GLASS RETAINER	1	EA	
F	A2001381	HEAT BAFFLE	1	EA	Not available online / Call for pricing and availability
G	PB070034	INSULATION-TRS-10 1" X 20" X 77' ROLL	1	EA	
H	A2001480	INNER DOOR GLASS RETAINER	1	EA	
J	PE060008	GLASS REPL PE060009	1	EA	
K	PB070014	DOOR GLASS SEAL STRIP - WINDOW DRS.	1	EA	
L	H9102312	OVEN DR LINER ASSY RH (VGRC48) W/W	1	EA	
NI	H9102313	OVEN DR LINER ASSY RH (VGRC48) N/W	1	EA	
M	A2001547	DOOR INSUL RETAINER RH VGRC48 W/W	1	EA	NO LONGER AVAILABLE, Not available online / Call for pricing and availability
NI	A2001548	DR INSUL. RETAINER (VGRC48)	1	EA	
N	PE060018	OVEN GLASS- TEMPERED,SCREENED*BK*	1	EA	
O	H3001543	O/S DOOR PANEL RH	1	EA	
O	H9001544AL	O/S DR PNL ASSY RH *AL* (VGRC48) W/	1	EA	
O	H9001544BK	O/S DR PNL ASSY RH *BK* (VGRC48) W/	1	EA	
O	H9001544BT	O/S DR PNL ASSY RH *BT* (VGRC48) W/	1	EA	NO LONGER AVAILABLE

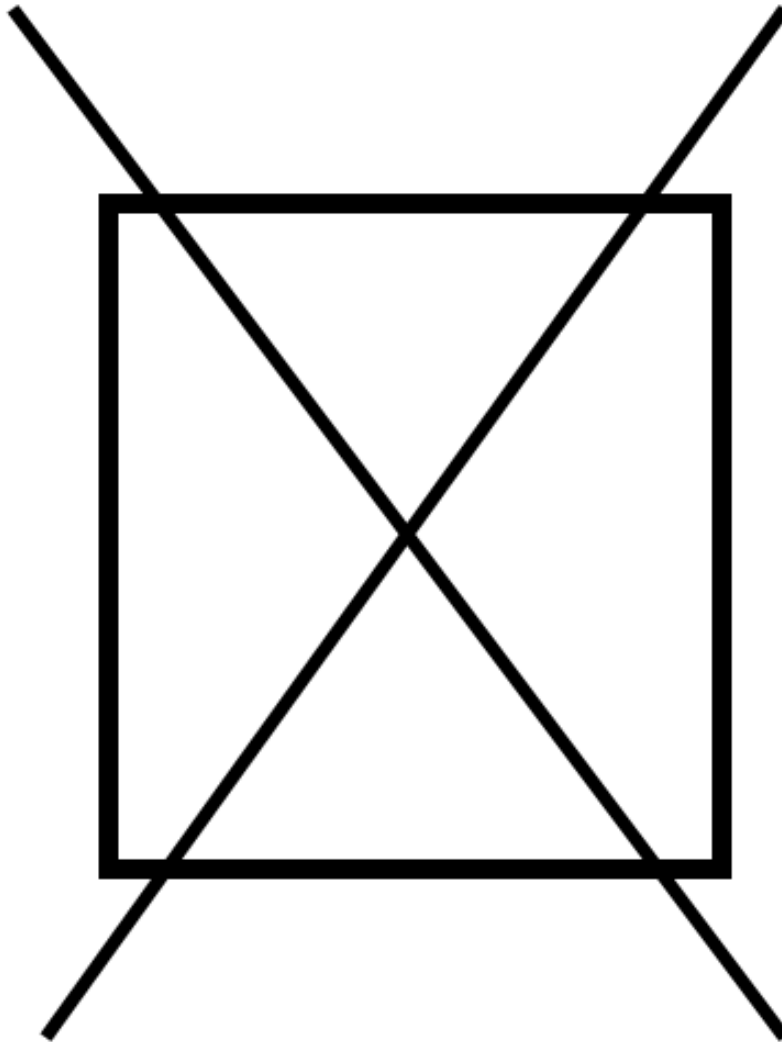
NON ILLUSTRATED PART





Item	Part No.	Name	Qty	Uom	NOTES
O	H9001544BU	O/S DR PNL ASSY RH *BU* (VGRC48) W/	1	EA	Not available online / Call for pricing and availability
O	H9001544CB	O/S DR PNL ASSY RH *CB* (VGRC48) W/	1	EA	NO LONGER AVAILABLE
O	H9001544EP	O/S DR PNL ASSY RH *EP* (VGRC48) W/	1	EA	NO LONGER AVAILABLE, Not available online / Call for pricing and availability
O	H9001544FG	O/S DR PNL ASSY RH *FG* (VGRC48) W/	1	EA	NO LONGER AVAILABLE, Not available online / Call for pricing and availability
O	H9001544GG	O/S DR PNL ASSY RH *GG* (VGRC48) W/	1	EA	NO LONGER AVAILABLE, Not available online / Call for pricing and availability
O	H9001544LE	O/S DR PNL ASSY RH *LE* (VGRC48) W/	1	EA	NO LONGER AVAILABLE
O	H9001544LN	O/S DR PNL ASSY RH *LN* (VGRC48) W/	1	EA	NO LONGER AVAILABLE, Not available online / Call for pricing and availability
O	H9001544MJ	O/S DR PNL ASSY RH *MJ* (VGRC48) W/	1	EA	NO LONGER AVAILABLE, Not available online / Call for pricing and availability
O	H9001544PL	O/S DR PNL ASSY RH *PL* (VGRC48) W/	1	EA	NO LONGER AVAILABLE
O	H9001544SG	O/S DR PNL ASSY RH *SG* (VGRC48) W/	1	EA	NO LONGER AVAILABLE
O	H9001544VB	O/S DR PNL ASSY RH *VB* (VGRC48) W/	1	EA	
O	H9001544WH	O/S DR PNL ASSY RH *WH* (VGRC48) W/	1	EA	
O	B2001536	O/S DOOR PANEL RH *SS* (VGRC48) - NLA	1	EA	
O	C9001538AL	O/S DOOR PANEL RH *AL* (VGRC48)	1	EA	NO LONGER AVAILABLE, Not available online / Call for pricing and availability

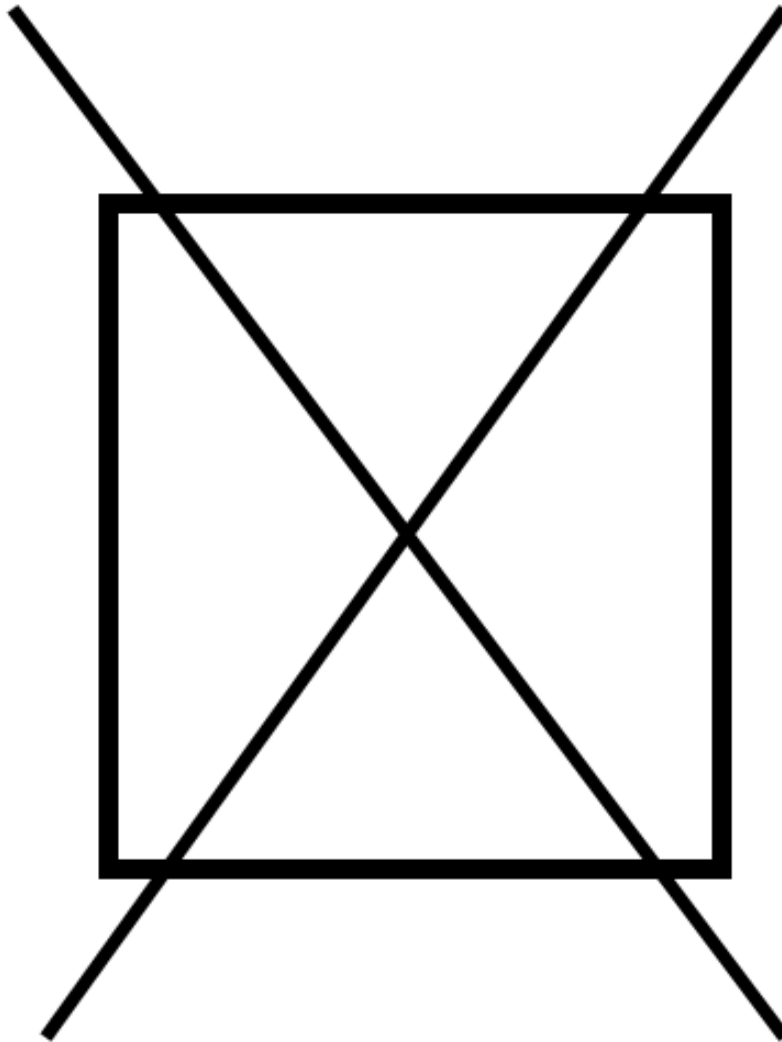
NON
ILLUSTRATED PART





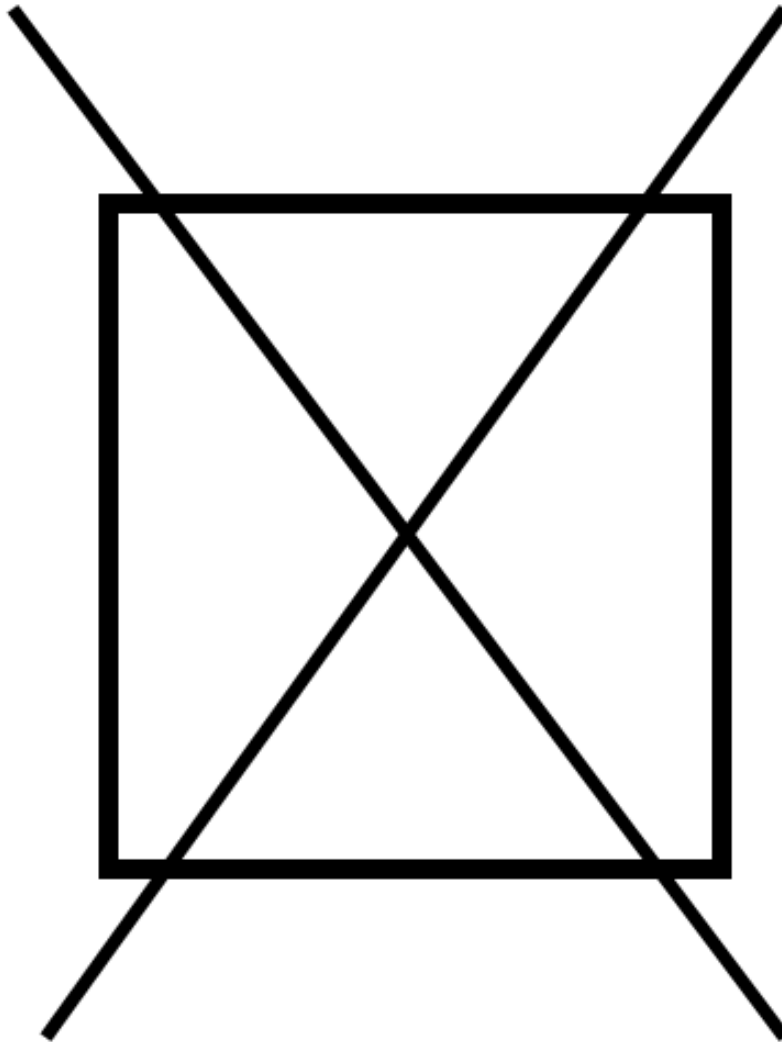
Item	Part No.	Name	Qty	Uom	NOTES
O	C9001538BK	O/S DOOR PANEL RH *BK* (VGRC48)	1	EA	NO LONGER AVAILABLE, Not available online / Call for pricing and availability
O	C9001538BT	OUTER DOOR PANEL W/O WINDOW - BT	1	EA	Not available online / Call for pricing and availability
O	C9001538BU	O/S DOOR PANEL RH *BU* (VGRC48) N/	1	EA	NO LONGER AVAILABLE, Not available online / Call for pricing and availability
O	C9001538CB	OUTER DOOR PANEL W/O WINDOW - CB	1	EA	Not available online / Call for pricing and availability
O	C9001538EP	OUTER DOOR PANEL W/O WINDOW - EP	1	EA	Not available online / Call for pricing and availability
O	C9001538FG	O/S DOOR PANEL RH *FG* (VGRC48) N/	1	EA	NO LONGER AVAILABLE, Not available online / Call for pricing and availability
O	C9001538GG	O/S DOOR PANEL RH *GG* (VGRC48) N/	1	EA	NO LONGER AVAILABLE, Not available online / Call for pricing and availability
O	C9001538LE	OUTER DOOR PANEL W/O WINDOW - LE	1	EA	Not available online / Call for pricing and availability
O	C9001538LN	OUTER DOOR PANEL W/O WINDOW - LN	1	EA	Not available online / Call for pricing and availability
O	C9001538MJ	OUTER DOOR PANEL W/O WINDOW - MJ	1	EA	Not available online / Call for pricing and availability
O	C9001538PL	O/S DOOR PANEL RH *PL* (VGRC48) N/	1	EA	NO LONGER AVAILABLE, Not available online / Call for pricing and availability
O	C9001538SG	OUTER DOOR PANEL W/O WINDOW - SG	1	EA	Not available online / Call for pricing and availability

NON ILLUSTRATED PART



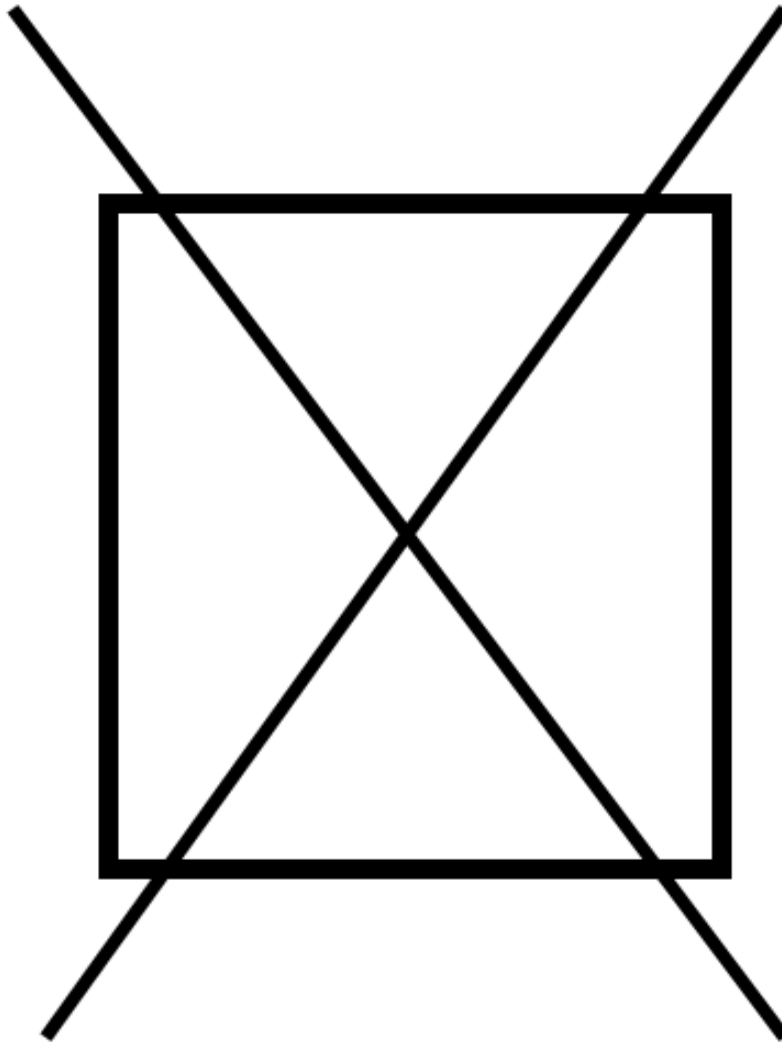
Item	Part No.	Name	Qty	Uom	NOTES
O	C9001538VB	O/S DOOR PANEL RH *VB* (VGRC48) N/	1	EA	NO LONGER AVAILABLE, Not available online / Call for pricing and availability
O	C9001538WH	O/S DOOR PANEL RH *WH* (VGRC48) N/	1	EA	NO LONGER AVAILABLE, Not available online / Call for pricing and availability
P	G3202333AL	DOOR SUB-ASSY RH *AL* (VGRC48)W/W	1	EA	NO LONGER AVAILABLE, Not available online / Call for pricing and availability
P	G3202333ALBR	DOOR SUB-ASSY RH *AL**BR* (VGRC48)W	1	EA	NO LONGER AVAILABLE, Not available online / Call for pricing and availability
P	G3202333BK	DOOR SUB-ASSY RH *BK* (VGRC48)W/W	1	EA	
P	G3202333BKBR	DOOR SUB-ASSY RH *BK**BR* (VGRC48)W	1	EA	NO LONGER AVAILABLE, Not available online / Call for pricing and availability
P	G3202333BT	DOOR SUB-ASSY RH *BT* (VGRC48)W/W	1	EA	NO LONGER AVAILABLE, Not available online / Call for pricing and availability
P	G3202333BTBR	DOOR SUB-ASSY RH *BT**BR* (VGRC48)W	1	EA	NO LONGER AVAILABLE, Not available online / Call for pricing and availability
P	G3202333BU	DOOR SUB-ASSY RH *BU* (VGRC48)W/W	1	EA	NO LONGER AVAILABLE, Not available online / Call for pricing and availability
P	G3202333BUBR	DOOR SUB-ASSY RH *BU**BR* (VGRC48)	1	EA	NO LONGER AVAILABLE
P	G3202333CB	DOOR SUB-ASSY RH *CB* (VGRC48)W/W	1	EA	NO LONGER AVAILABLE, Not available online / Call for pricing and availability
P	G3202333CBBR	DOOR SUB-ASSY RH *CB**BR* (VGRC48)W	1	EA	NO LONGER AVAILABLE, Not available online / Call for pricing and availability

NON
ILLUSTRATED PART



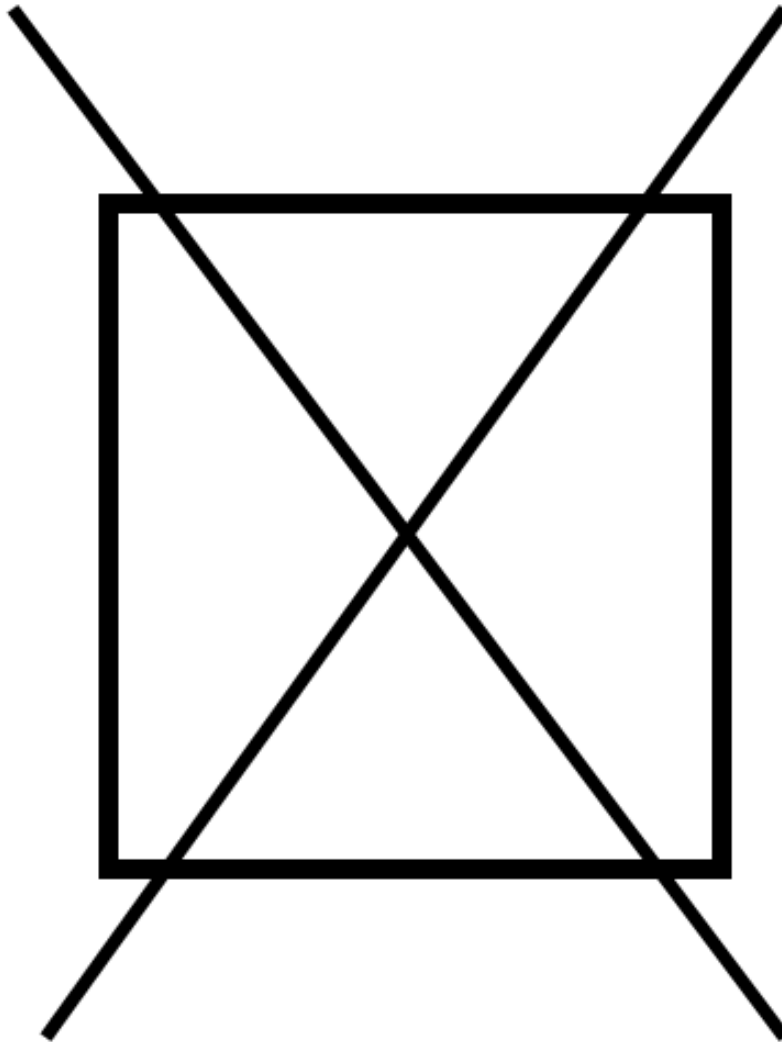
Item	Part No.	Name	Qty	Uom	NOTES
P	G3202333EP	DOOR SUB-ASSY RH *EP* (VGRC48)W/W	1	EA	NO LONGER AVAILABLE, Not available online / Call for pricing and availability
P	G3202333EPBR	DOOR SUB-ASSY RH *EP**BR* (VGRC48)W	1	EA	NO LONGER AVAILABLE, Not available online / Call for pricing and availability
P	G3202333FG	DOOR SUB-ASSY RH *FG* (VGRC48)W/W	1	EA	NO LONGER AVAILABLE, Not available online / Call for pricing and availability
P	G3202333FGBR	DOOR SUB-ASSY RH *FG**BR* (VGRC48)	1	EA	NO LONGER AVAILABLE, Not available online / Call for pricing and availability
P	G3202333GG	DOOR SUB-ASSY RH *GG* (VGRC48)	1	EA	NO LONGER AVAILABLE, Not available online / Call for pricing and availability
P	G3202333GGBR	COMPLETE DOOR ASSY. W/WINDOW - GGBR	1	EA	Not available online / Call for pricing and availability
P	G3202333LE	DOOR SUB-ASSY RH *LE* (VGRC48)W/W	1	EA	NO LONGER AVAILABLE, Not available online / Call for pricing and availability
P	G3202333LEBR	DOOR SUB-ASSY RH *LE**BR* (VGRC48)W	1	EA	NO LONGER AVAILABLE, Not available online / Call for pricing and availability
P	G3202333LN	DOOR SUB-ASSY RH *LN* (VGRC48)	1	EA	NO LONGER AVAILABLE, Not available online / Call for pricing and availability
P	G3202333LNBR	COMPLETE DOOR ASSY. W/WINDOW - LNBR	1	EA	Not available online / Call for pricing and availability
P	G3202333MJ	DOOR SUB-ASSY RH *MJ* (VGRC48)W/W	1	EA	NO LONGER AVAILABLE, Not available online / Call for pricing and availability

NON
ILLUSTRATED PART



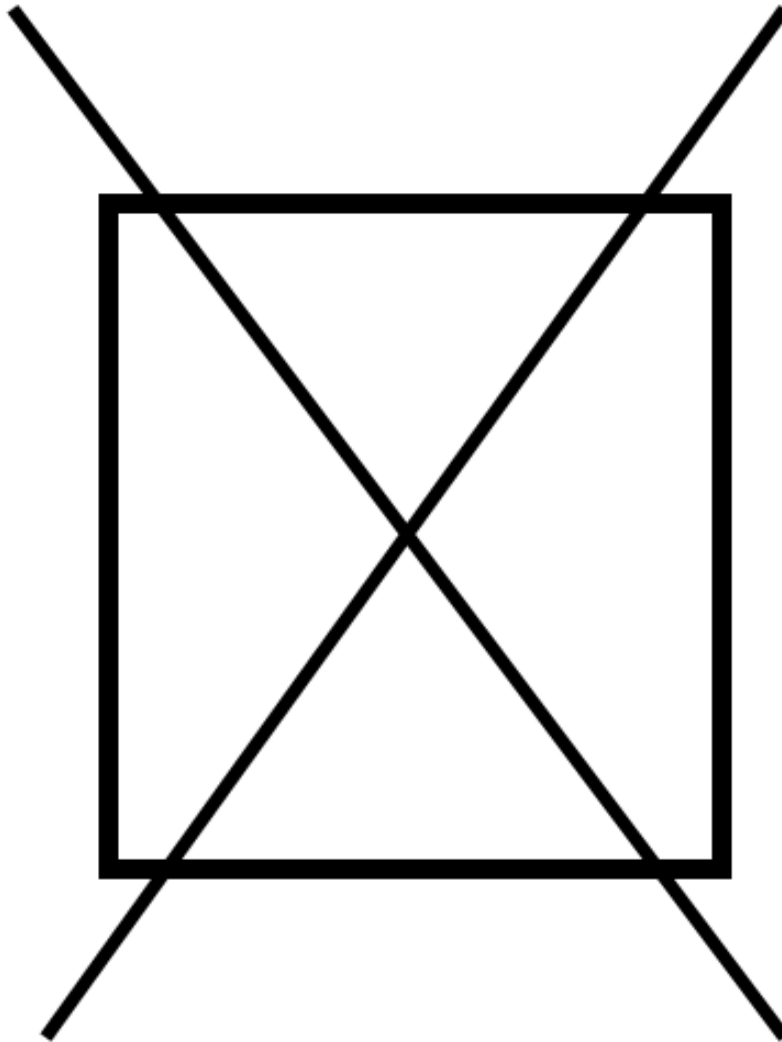
Item	Part No.	Name	Qty	Uom	NOTES
P	G3202333MJBR	DOOR SUB-ASSY RH *MJ**BR* (VGRC48)W	1	EA	NO LONGER AVAILABLE, Not available online / Call for pricing and availability
P	G3202333PL	DOOR SUB-ASSY RH *PL* (VGRC48)	1	EA	NO LONGER AVAILABLE
P	G3202333PLBR	DOOR SUB-ASSY RH *PL**BR* (VGRC48)	1	EA	NO LONGER AVAILABLE, Not available online / Call for pricing and availability
P	G3202333SG	DOOR SUB-ASSY RH *SG* (VGRC48)	1	EA	NO LONGER AVAILABLE, Not available online / Call for pricing and availability
P	G3202333SGBR	DOOR SUB-ASSY RH *SG* (VGRC48)W/W	1	EA	NO LONGER AVAILABLE, Not available online / Call for pricing and availability
P	G3202333SS	DOOR SUB-ASSY RH *SS* (VGRC48)	1	EA	
P	G3202333SSBR	DOOR SUB-ASSY RH *SS**BR* (VGRC48)W	1	EA	NO LONGER AVAILABLE
P	G3202333VB	DOOR SUB-ASSY RH *VB* (VGRC48)	1	EA	NO LONGER AVAILABLE, Not available online / Call for pricing and availability
P	G3202333VBBR	DOOR SUB-ASSY RH *VB**BR* (VGRC48)	1	EA	NO LONGER AVAILABLE, Not available online / Call for pricing and availability
P	G3202333WH	DOOR SUB-ASSY RH *WH* (VGRC48)	1	EA	
P	G3202333WHBR	DOOR SUB-ASSY RH *WH**BR* (VGRC48)	1	EA	NO LONGER AVAILABLE, Not available online / Call for pricing and availability
NI	G3202335AL	DOOR SUB-ASSY RH *AL* (VGRC48)	1	EA	NO LONGER AVAILABLE, Not available online / Call for pricing and availability
NI	G3202335ALBR	DOOR SUB-ASSY RH *AL**BR* (VGRC48)	1	EA	NO LONGER AVAILABLE, Not available online / Call for pricing and availability

NON
ILLUSTRATED PART



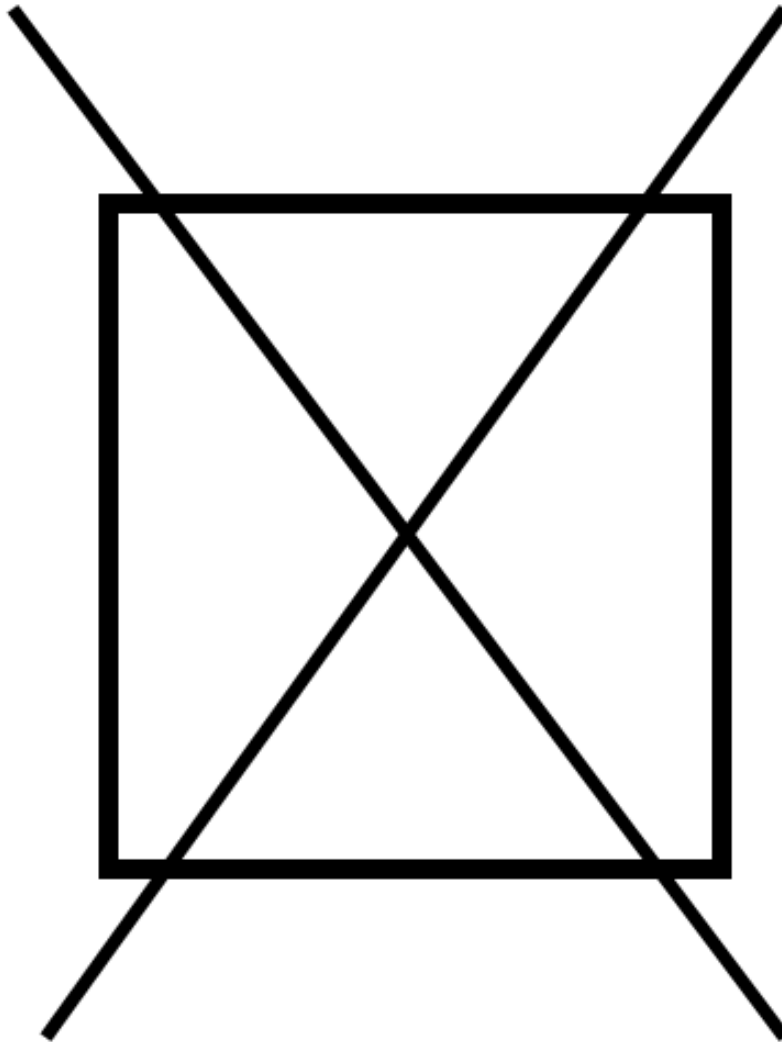
Item	Part No.	Name	Qty	Uom	NOTES
NI	G3202335BK	DOOR SUB-ASSY RH *BK* (VGRC48)	1	EA	NO LONGER AVAILABLE, Not available online / Call for pricing and availability
NI	G3202335BKBR	DOOR SUB-ASSY RH *BK**BR* (VGRC48)	1	EA	NO LONGER AVAILABLE, Not available online / Call for pricing and availability
NI	G3202335BT	COMPLETE DOOR ASSY. W/O WINDOW - BT	1	EA	Not available online / Call for pricing and availability
NI	G3202335BTBR	COMPLETE DOOR ASSY. W/O WINDOW - BTBR	1	EA	Not available online / Call for pricing and availability
NI	G3202335BU	DOOR SUB-ASSY RH *BU* (VGRC48)	1	EA	NO LONGER AVAILABLE, Not available online / Call for pricing and availability
NI	G3202335BUBR	DOOR SUB-ASSY RH *BU**BR* (VGRC48)	1	EA	NO LONGER AVAILABLE, Not available online / Call for pricing and availability
NI	G3202335CB	COMPLETE DOOR ASSY. W/O WINDOW - CB	1	EA	Not available online / Call for pricing and availability
NI	G3202335CBBR	COMPLETE DOOR ASSY. W/O WINDOW - CBBR	1	EA	Not available online / Call for pricing and availability
NI	G3202335EP	COMPLETE DOOR ASSY. W/O WINDOW - EP	1	EA	Not available online / Call for pricing and availability
NI	G3202335EPBR	COMPLETE DOOR ASSY. W/O WINDOW - EPBR	1	EA	Not available online / Call for pricing and availability
NI	G3202335FG	DOOR SUB-ASSY RH *FG* (VGRC48)	1	EA	NO LONGER AVAILABLE, Not available online / Call for pricing and availability
NI	G3202335FGBR	DOOR SUB-ASSY RH *FG**BR* (VGRC48)	1	EA	NO LONGER AVAILABLE, Not available online / Call for pricing and availability

NON
ILLUSTRATED PART



Item	Part No.	Name	Qty	Uom	NOTES
NI	G3202335GG	COMPLETE DOOR ASSY. W/O WINDOW - GG	1	EA	Not available online / Call for pricing and availability
NI	G3202335GGBR	COMPLETE DOOR ASSY. W/O WINDOW - GGBR	1	EA	Not available online / Call for pricing and availability
NI	G3202335LE	COMPLETE DOOR ASSY. W/O WINDOW - LE	1	EA	Not available online / Call for pricing and availability
NI	G3202335LEBR	COMPLETE DOOR ASSY. W/O WINDOW - LEBR	1	EA	Not available online / Call for pricing and availability
NI	G3202335LN	COMPLETE DOOR ASSY. W/O WINDOW - LN	1	EA	Not available online / Call for pricing and availability
NI	G3202335LNBR	COMPLETE DOOR ASSY. W/O WINDOW - LNBR	1	EA	Not available online / Call for pricing and availability
NI	G3202335MJ	COMPLETE DOOR ASSY. W/O WINDOW - MJ	1	EA	Not available online / Call for pricing and availability
NI	G3202335MJBR	COMPLETE DOOR ASSY. W/O WINDOW - MJBR	1	EA	Not available online / Call for pricing and availability
NI	G3202335PL	DOOR SUB-ASSY RH *PL* (VGRC48)	1	EA	NO LONGER AVAILABLE, Not available online / Call for pricing and availability
NI	G3202335PLBR	DOOR SUB-ASSY RH *PL**BR* (VGRC48)	1	EA	NO LONGER AVAILABLE, Not available online / Call for pricing and availability
NI	G3202335SG	COMPLETE DOOR ASSY. W/O WINDOW - SG	1	EA	Not available online / Call for pricing and availability
NI	G3202335SGBR	COMPLETE DOOR ASSY. W/O WINDOW - SGBR	1	EA	Not available online / Call for pricing and availability
NI	G3202335SS	DOOR SUB-ASSY RH *SS* (VGRC48) - NLA	1	EA	

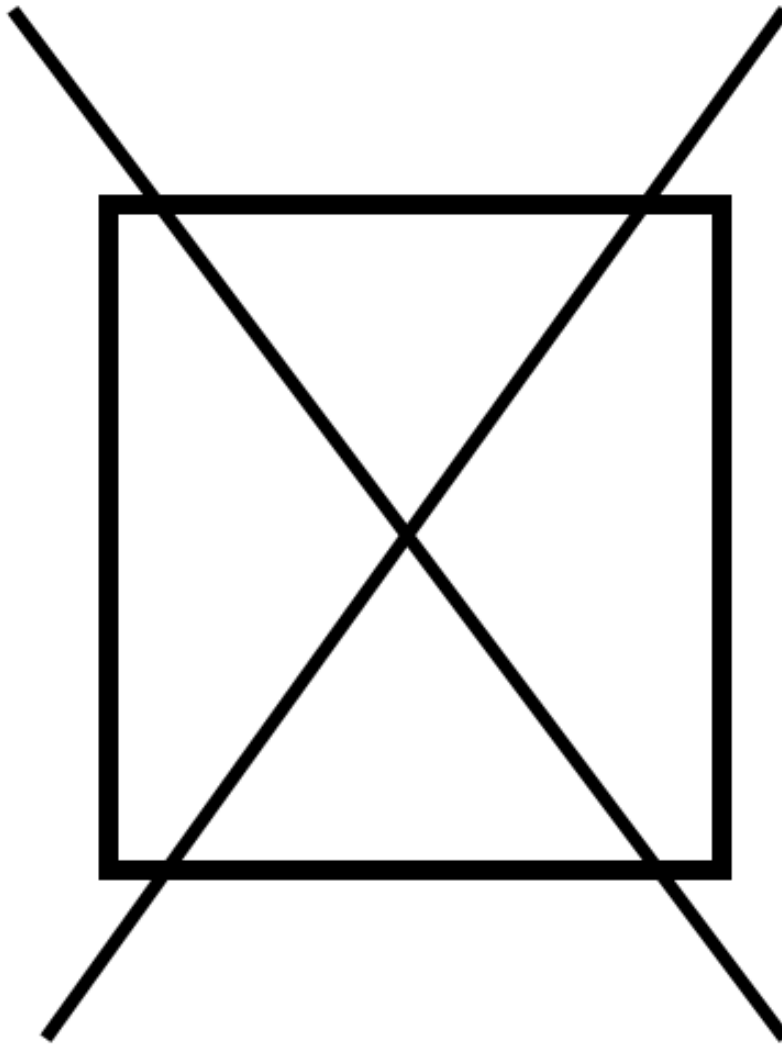
NON
ILLUSTRATED PART





Item	Part No.	Name	Qty	Uom	NOTES
NI	G3202335SSBR	DOOR SUB-ASSY RH *SS**BR* (VGRC48)	1	EA	NO LONGER AVAILABLE, Not available online / Call for pricing and availability
NI	G3202335VB	DOOR SUB-ASSY RH *VB* (VGRC48)	1	EA	NO LONGER AVAILABLE, Not available online / Call for pricing and availability
NI	G3202335VBBR	DOOR SUB-ASSY RH *VB**BR* (VGRC48)	1	EA	NO LONGER AVAILABLE, Not available online / Call for pricing and availability
NI	G3202335WH	DOOR SUB-ASSY RH *WH* (VGRC48)	1	EA	NO LONGER AVAILABLE
NI	G3202335WHBR	DOOR SUB-ASSY RH *WH**BR* (VGRC48)	1	EA	NO LONGER AVAILABLE, Not available online / Call for pricing and availability
NI	PD020032	SRW-8(A)X3/8"PH.WFR HD 7/16DIA*NICL	1	EA	

NON
ILLUSTRATED PART



Item	Part No.	Name	Qty	Uom	NOTES
NI	G4001865	WIRING-RIGHT SIDE NEUTRAL (VGRC60)	1	EA	Not available online / Call for pricing and availability
NI	G4001872	WIRING HARNESS-LH *AL* VGRC605	1	EA	Not available online / Call for pricing and availability
NI	G4001871	WIRING HARNESS-LINE (VGRC-6056G)	1	EA	
NI	G4001868	WIRING HARNESS-BAKE (VGRC605-6GQ)	2	EA	
NI	G4001684	BK/BRL T/STAT-BRL IGNITER (VGRC365)	1	EA	
NI	G4001557	DUAL BK SAFETY VLE-RHBAKE IGNITOR	2	EA	
NI	G4001873	WIRE HARNESS (8") (VGRC60)	3	EA	
NI	G4002023	BK/BRL T/STAT JUMPER-OVEN IND. LGHT	1	EA	Not available online / Call for pricing and availability
NI	G4001864	WIRING HARNESS-OVEN LIGHT	1	EA	
NI	G4001686	CONVCTN SWITCH-CONVCTN MOTOR (365)	2	EA	Not available online / Call for pricing and availability
NI	G4001682	WIRE ASSY *AL* 55"	2	EA	
NI	G4001680	WIRE, SPRK MDLE-TOP BRNR VLVE SWITCH (40)	4	EA	
NI	G4000936	GROUND WIRE	4	EA	
NI	G4001562	DUAL SAFETY VALVE - JUMPER (10")	2	EA	
NI	G4001553	THERM./BROIL IGNITOR-WIRE (52")	1	EA	
NI	G4001555	THERM/BAKE IGNITOR-WIRE (57")	1	EA	Not available online / Call for pricing and availability
NI	PE070719	IGNITOR WIRE KIT - VDSC3674Q	3	EA	
NI	G4001587	SPARK MODULE-TOP BRNR SPARKER (25)	3	EA	
NI	PE070729	IGNITER HARNESS (VGRC6056G)	1	EA	



Appendix A:Pages Index

BURNER BOX EXTERIOR ASSY 1
BURNER BOX SUBASSY 2
CONTROL-RACK ASSY 3
GAS-ELECTRICAL 4
GRIDDLE ASSY 5
GRILL ASSY 6
LH CONTROL-RACK ASSY 7
LH OVEN DOOR (60) 8
PANEL-OVEN ASSY 9
RH OVEN DOOR (60) 10
WIRING - 6GQ 11



Appendix B:Parts Index

000268-000	8, 10	A2001881	5
002571-000	2, 5, 6	A2001949	5
003210-000	5	A2002001	5
003224-000	5	A2002269	9
003515-000	2	A2002595	4
003862-000	2, 5	A2008467	4
007147-000	2, 5	A2009598	2
020409-000	4	B20010687	1
031449-000	4, 7	B2001140	6
050172-000	3, 7	B2001448	4
A1001138	2	B2001536	10
A1001198	5	B2001815	9
A1001619	2	B2001829	8
A1001636	5, 6	B2001856	6
A1002596	4	B2001857	6
A1008475	5	B2001884	5
A2001112	2	B2001886	7
A2001132	6	B2001913	1
A2001147	2	B2001914	1
A2001148	5	B2001917	9
A2001179	5	B2001918	9
A2001259	3	B3001840	1
A2001300	5	B9201281	3
A2001358	7	B9201286	3
A2001381	8, 10	B9201813	3
A2001447	8, 10	B9201822	3
A2001480	8, 10	B9202370	3
A2001547	8, 10	B9202371	3
A2001548	8, 10	B9202373	3
A2001620	2	B9202374	3
A2001630	5	B9202375	3
A2001631	6	B9202376	3
A2001633	6	C9001538AL	10
A2001634	5	C9001538BK	10
A2001811	2, 5	C9001538BT	10
A2001812	2, 5	C9001538BU	10
A2001852	6	C9001538CB	10
A2001855	6	C9001538EP	10
A2001863	6	C9001538FG	10
A2001880	5	C9001538GG	10
		C9001538LE	10



C9001538LN	10	C9001886EP	7
C9001538MJ	10	C9001886FG	7
C9001538PL	10	C9001886GG	7
C9001538SG	10	C9001886LE	7
C9001538VB	10	C9001886LN	7
C9001538WH	10	C9001886MJ	7
C9001815AL	9	C9001886PL	7
C9001815BK	9	C9001886SG	7
C9001815BT	9	C9001886VB	7
C9001815BU	9	C9001886WH	7
C9001815CB	9	C9001917AL	9
C9001815EP	9	C9001917BK	9
C9001815FG	9	C9001917BT	9
C9001815GG	9	C9001917BU	9
C9001815LE	9	C9001917CB	9
C9001815LN	9	C9001917EP	9
C9001815MJ	9	C9001917FG	9
C9001815PL	9	C9001917GG	9
C9001815SG	9	C9001917LE	9
C9001815VB	9	C9001917LN	9
C9001815WH	9	C9001917MJ	9
C9001831AL	8	C9001917PL	9
C9001831BK	8	C9001917SG	9
C9001831BT	8	C9001917VB	9
C9001831BU	8	C9001917WH	9
C9001831CB	8	C9001918AL	9
C9001831EP	8	C9001918BK	9
C9001831FG	8	C9001918BT	9
C9001831GG	8	C9001918BU	9
C9001831LE	8	C9001918CB	9
C9001831LN	8	C9001918EP	9
C9001831MJ	8	C9001918FG	9
C9001831PL	8	C9001918GG	9
C9001831SG	8	C9001918LE	9
C9001831VB	8	C9001918LN	9
C9001831WH	8	C9001918MJ	9
C9001886AL	7	C9001918PL	9
C9001886BK	7	C9001918SG	9
C9001886BT	7	C9001918VB	9
C9001886BU	7	C9001918WH	9
C9001886CB	7	C9301913BR	1



C9301914BR	1	G3201845VBBR	8
E9101130BK	6	G3201845WH	8
E9101221	7, 9	G3201845WHBR	8
E9107600	9	G3201847AL	8
E9107933	3	G3201847ALBR	8
E9107934	3	G3201847BK	8
G3001584	3	G3201847BKBR	8
G3001585	3	G3201847BT	8
G3001810	3	G3201847BTBR	8
G3001876	4	G3201847BU	8
G3004874	1	G3201847BUBR	8
G3004875	1	G3201847CB	8
G3201845AL	8	G3201847CBBR	8
G3201845ALBR	8	G3201847EP	8
G3201845BK	8	G3201847EPBR	8
G3201845BKBR	8	G3201847FG	8
G3201845BT	8	G3201847FGBR	8
G3201845BTBR	8	G3201847GG	8
G3201845BU	8	G3201847GGBR	8
G3201845BUBR	8	G3201847LE	8
G3201845CB	8	G3201847LEBR	8
G3201845CBBR	8	G3201847LN	8
G3201845EP	8	G3201847LNBR	8
G3201845EPBR	8	G3201847MJ	8
G3201845FG	8	G3201847MJBR	8
G3201845FGBR	8	G3201847PL	8
G3201845GG	8	G3201847PLBR	8
G3201845GGBR	8	G3201847SG	8
G3201845LE	8	G3201847SGBR	8
G3201845LEBR	8	G3201847SS	8
G3201845LN	8	G3201847SSBR	8
G3201845LNBR	8	G3201847VB	8
G3201845MJ	8	G3201847VBBR	8
G3201845MJBR	8	G3201847WH	8
G3201845PL	8	G3201847WHBR	8
G3201845PLBR	8	G3202333AL	10
G3201845SG	8	G3202333ALBR	10
G3201845SGBR	8	G3202333BK	10
G3201845SS	8	G3202333BKBR	10
G3201845SSBR	8	G3202333BT	10
G3201845VB	8	G3202333BTBR	10



G3202333BU	10	G3202335GGBR	10
G3202333BUBR	10	G3202335LE	10
G3202333CB	10	G3202335LEBR	10
G3202333CBBR	10	G3202335LN	10
G3202333EP	10	G3202335LNBR	10
G3202333EPBR	10	G3202335MJ	10
G3202333FG	10	G3202335MJBR	10
G3202333FGBR	10	G3202335PL	10
G3202333GG	10	G3202335PLBR	10
G3202333GGBR	10	G3202335SG	10
G3202333LE	10	G3202335SGBR	10
G3202333LEBR	10	G3202335SS	10
G3202333LN	10	G3202335SSBR	10
G3202333LNBR	10	G3202335VB	10
G3202333MJ	10	G3202335VBBR	10
G3202333MJBR	10	G3202335WH	10
G3202333PL	10	G3202335WHBR	10
G3202333PLBR	10	G3204253	7, 9
G3202333SG	10	G4000936	11
G3202333SGBR	10	G4001553	11
G3202333SS	10	G4001555	11
G3202333SSBR	10	G4001557	11
G3202333VB	10	G4001562	11
G3202333VBBR	10	G4001587	11
G3202333WH	10	G4001680	11
G3202333WHBR	10	G4001682	11
G3202335AL	10	G4001684	11
G3202335ALBR	10	G4001686	11
G3202335BK	10	G4001864	11
G3202335BKBR	10	G4001865	11
G3202335BT	10	G4001868	11
G3202335BTBR	10	G4001871	11
G3202335BU	10	G4001872	11
G3202335BUBR	10	G4001873	11
G3202335CB	10	G4002023	11
G3202335CBBR	10	G50012678	2
G3202335EP	10	G50012681	2
G3202335EPBR	10	G50013584AL	1
G3202335FG	10	G50013584BK	1
G3202335FGBR	10	G50013584BT	1
G3202335GG	10	G50013584CB	1



G50013584EP	1	H9001544SG	10
G50013584FG	1	H9001544VB	10
G50013584GG	1	H9001544WH	10
G50013584LE	1	H9001833AL	8
G50013584LN	1	H9001833BK	8
G50013584MJ	1	H9001833BT	8
G50013584PL	1	H9001833BU	8
G50013584SG	1	H9001833CB	8
G50013584VB	1	H9001833EP	8
G50013584WH	1	H9001833FG	8
G50013898	4, 7	H9001833GG	8
G9101182AL	6	H9001833LE	8
G9101182BK	6	H9001833LN	8
G9101182BT	6	H9001833MJ	8
G9101182CB	6	H9001833PL	8
G9101182EP	6	H9001833SG	8
G9101182FG	6	H9001833VB	8
G9101182GG	6	H9001833WH	8
G9101182LE	6	H9102312	8, 10
G9101182LN	6	H9102313	8, 10
G9101182MJ	6	J2101749	1
G9101182PL	6	PA010030	6
G9101182SG	6	PA010034	3
G9101182VB	6	PA010035	3
G9101182WH	6	PA010039	6
G9101625	7, 9	PA010040	6
G9101626	7, 9	PA020015	2, 6
H3001543	10	PA020028	2, 6
H3001832	8	PA020041	2
H9001544AL	10	PA020045	2
H9001544BK	10	PA030002AL	1
H9001544BT	10	PA030002BK	1
H9001544BU	10	PA030002BT	1
H9001544CB	10	PA030002CB	1
H9001544EP	10	PA030002EP	1
H9001544FG	10	PA030002FG	1
H9001544GG	10	PA030002GG	1
H9001544LE	10	PA030002LE	1
H9001544LN	10	PA030002LN	1
H9001544MJ	10	PA030002MJ	1
H9001544PL	10	PA030002PL	1



PA030002SG	1	PB040040	4
PA030002VB	1	PB040052	7
PA030002WH	1	PB040054	7
PA060037	1	PB040061	6
PA060038	1	PB040062	6
PA060058	6, 6	PB050012	4, 7
PA070003	2	PB050077	5, 6
PA080015	1	PB060029	3, 7
PA080016	1	PB060042	3, 7
PA080036	2	PB070014	8, 10
PA080037	2	PB070031	7, 9
PB010004	5	PB070034	8, 10
PB010035	5, 7	PC020003	7, 9
PB010036	3	PC030018	9
PB010083	2	PD010003	1
PB010084	4, 7	PD010012	2, 6
PB010091	3	PD010017	1, 5, 6
PB010092	3	PD020032	8, 10
PB010095	7	PD020039	5
PB010096	7	PD030005	9
PB010099	3	PD030010	1
PB010100	3	PD030012	1, 5, 6
PB010101	7	PD030018	4
PB010102	7	PD030031	5
PB010103	5	PD030035	4
PB010104	5	PD030050	3
PB010206	3	PD040004	1
PB010207	3	PD040005	2
PB010209	3, 7	PD040022	5
PB020022	4, 7	PD040030	4
PB020023	4, 7	PE010030	8
PB020025	6	PE010031	8
PB020039	7	PE010032	8
PB020041	2	PE010034	8
PB020116	5	PE010035	8
PB020216	4	PE010036	8
PB020218	4, 4	PE010068	8
PB040001	4, 4, 5, 7	PE010076	8
PB040027	4	PE010081	3
PB040034	2, 4, 5	PE010082	3
PB040036	2, 4, 5	PE030001PVD	8, 10



PE030005 8, 10
PE030012 8, 10
PE050016 3
PE050017 3
PE050023 3, 5
PE050024 3, 5
PE050035 4
PE050057 4
PE060007 8, 10
PE060008 8, 10
PE060018 8, 10
PE060020 8, 10
PE070070 2
PE070071 2
PE070620 2, 2
PE070719 11
PE070729 11
PK000007 2
PK000008 2
PS510002 1