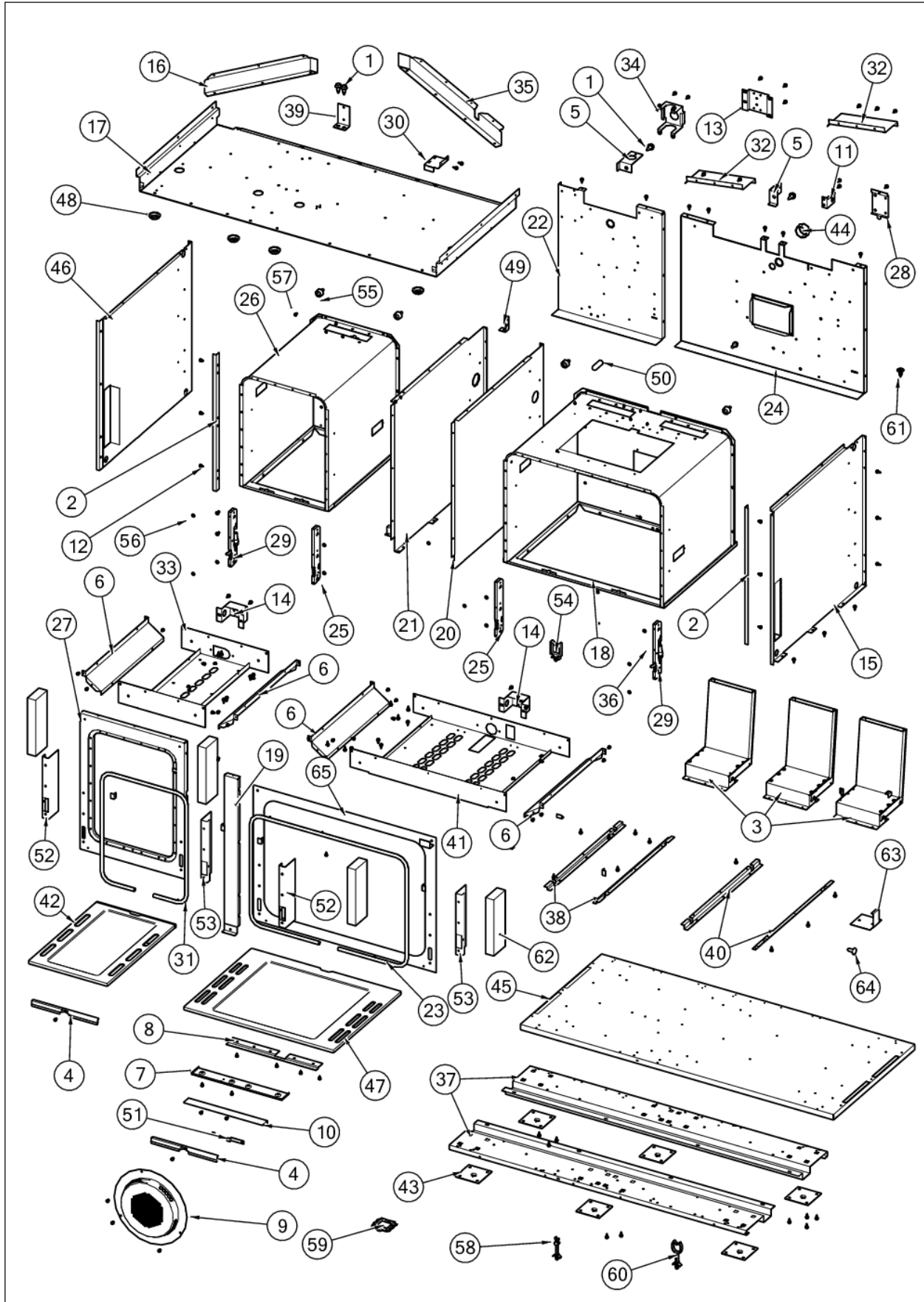


**VGR748-8B**

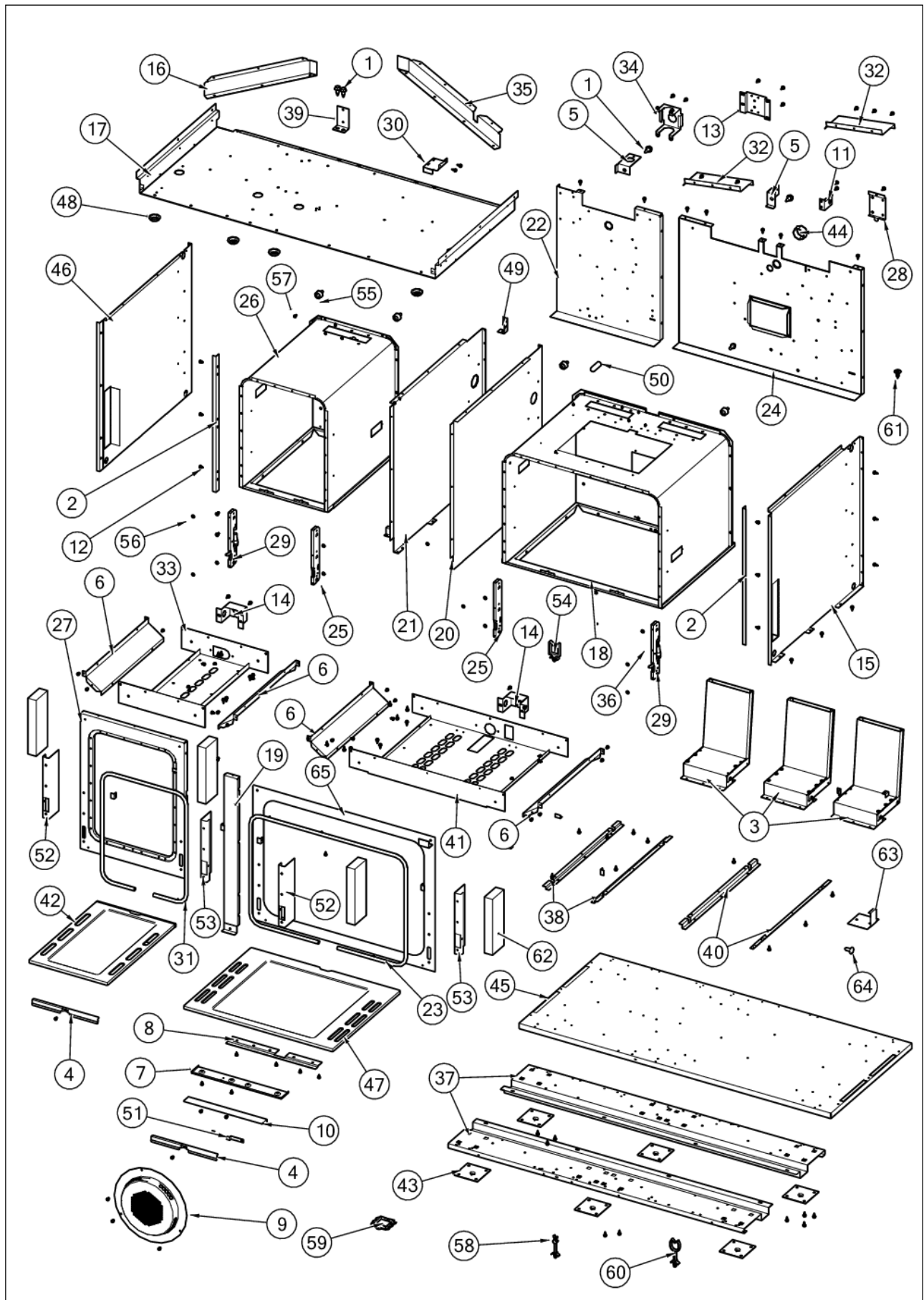
BASE .....	1
CONTROL .....	2
DECOR .....	3
ELECTRICAL - 1 .....	4
ELECTRICAL - 2 .....	5
ELECTRICAL - 3 .....	6
ELECTRICAL - 4 .....	7
GAS .....	8
LH DOOR .....	9
RH DOOR .....	10
SURFACE .....	11
Appendix A:Pages Index .....	A
Appendix B:Parts Index .....	B



BASE

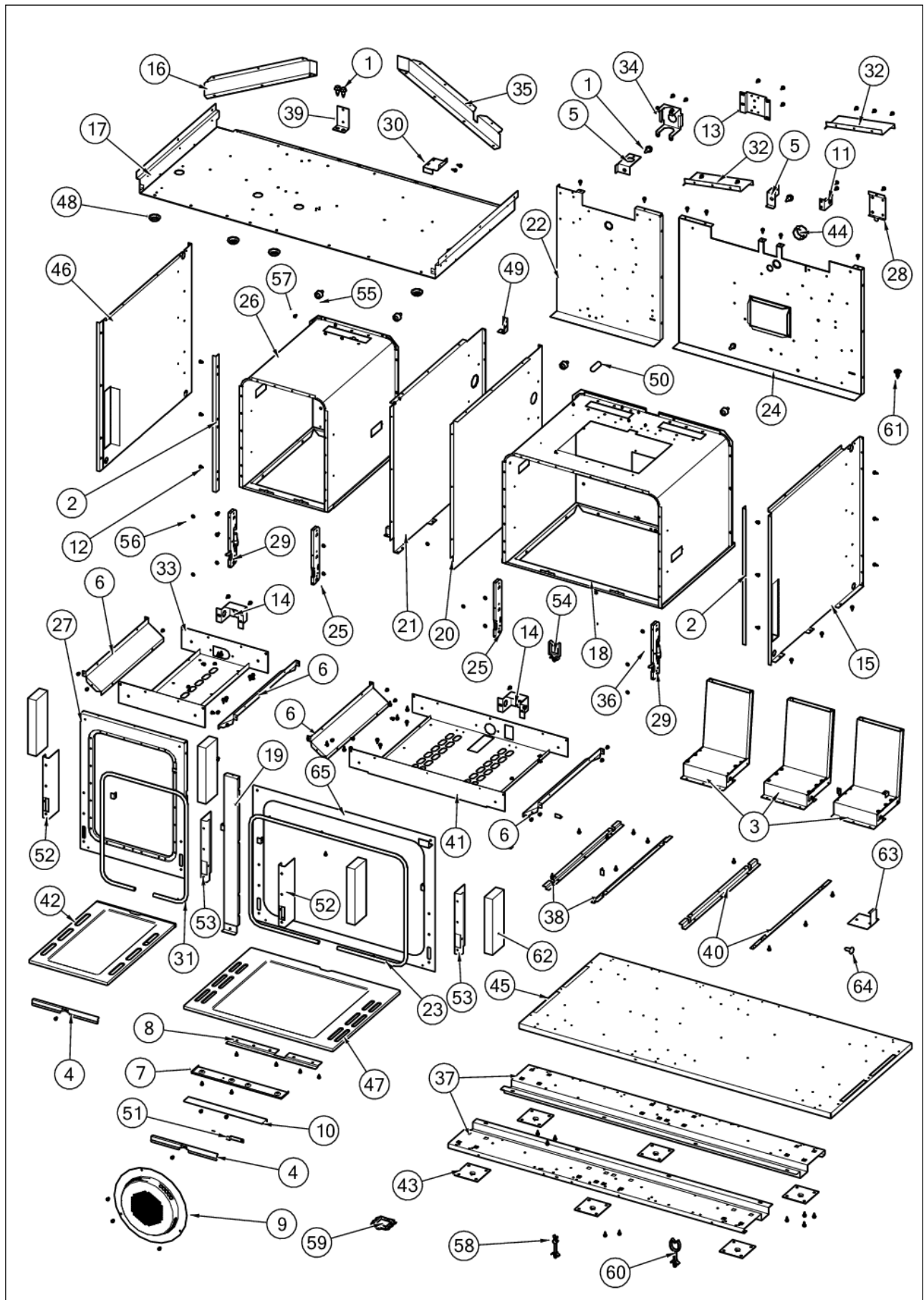


Item	Part No.	Name	Qty	Uom	NOTES
1	003860-000	FASTENER,SCR,HXWH,STL,ZP LT,10-18 x .500		EA	
2	005536-000	TRIM	2	EA	
3	006192-000	VENT, ASM, OVEN ASSEMBLY	3	EA	
4	009005-000	GASKET CLIP	2	EA	
5	012438-000	SWITCH, LIM, BRKT	2	EA	
6	014747-000	BRACKET, BNR, SIDE, PORCELAIN	4	EA	
7	020409-000	BRACKET, SPRT, FR, I/R BROILER	1	EA	
8	020412-000	BRACKET, SPRT, REAR, I/R BROILER	1	EA	
9	021225-402	COVER, CNVN, ASM, BK PORC	1	EA	
10	031445-402	BRACE, OVEN, BOTTOM, BACK W/BK PORC	2	EA	
11	033668-000	BRACKET, DISCONNECT	1	EA	
12	037304-000	FASTENER, PNH, TORX, AB, PSVD, WAX		EA	
13	038705-000	TRAY, REGULATOR	1	EA	
14	040736-000	BRKT, ORF	2	EA	
15	042339-000	PANEL, INSL, RH	1	EA	
16	042346-000	DIVERTER, AIR, LH	1	EA	
17	042799-000	PANEL, INSL, 48" TOP	1	EA	
18	N/P	CAVITY, OVEN, VGR, 30" BK	1	EA	
Not Shown	NOTE	(NOT FIELD REPLACEABLE)		EA	
19	042866-402	TRIM, CTR, VGR7488B, BLK	1	EA	
20	042867-000	PANEL, INSL, LH, SHORT	1	EA	
21	042868-000	PANEL, INSL, RH, SHORT	1	EA	
22	042875-000	PANEL, INSL, BACK, 18"	1	EA	
23	044793-000	GASKET, LINER, ASM, AG 30"	1	EA	
24	049500-000	PANEL, INSL, BACK, 30"	1	EA	
25	045060-000	RECEIVER, HINGE, SLOW- CLOSE, UNDAMPENED	2	EA	
26	N/P	CAVITY, OVEN, VGR, 18", ASM BK	1	EA	
Not Shown	NOTE	(NOT FIELD REPLACEABLE)		EA	





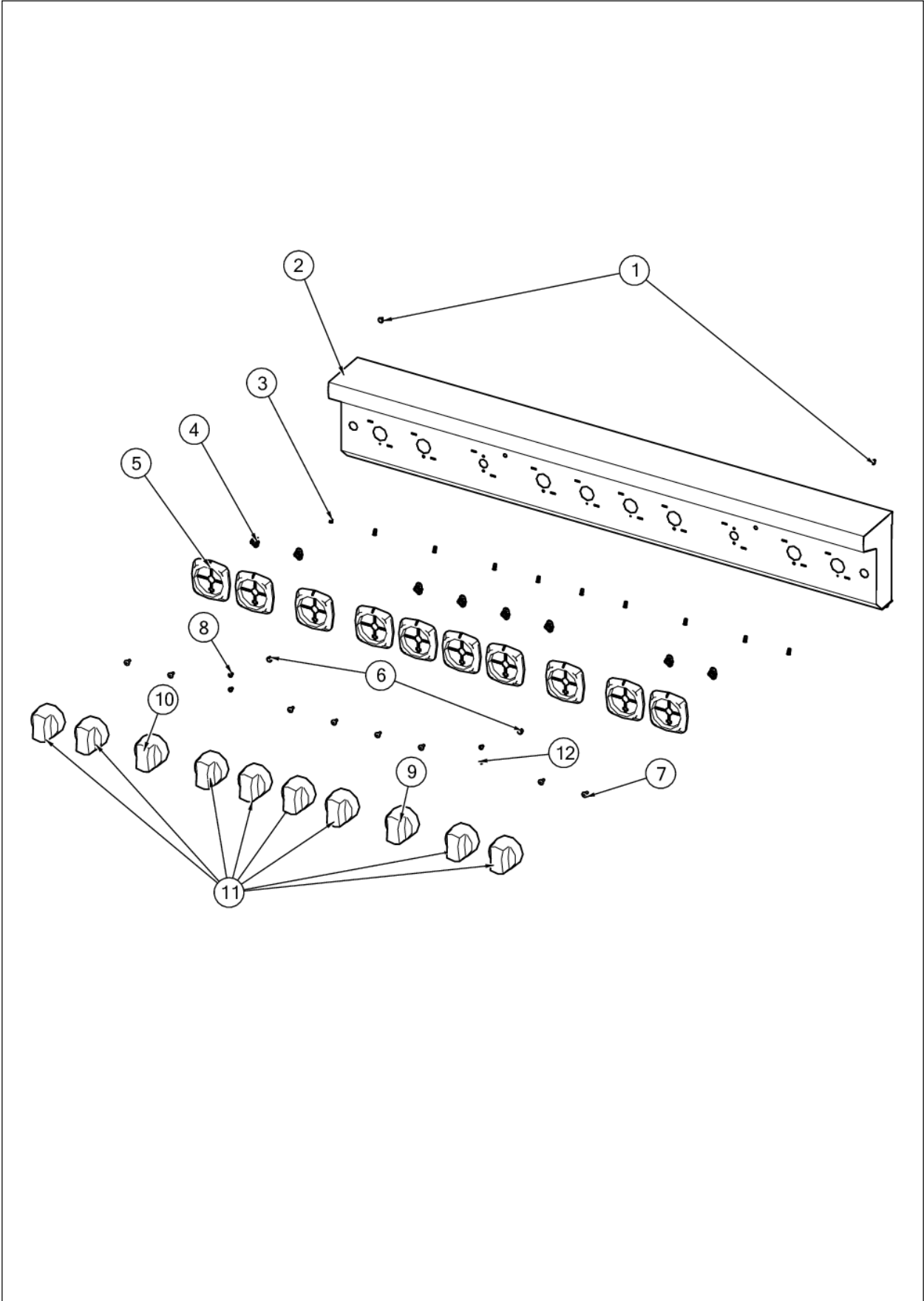
Item	Part No.	Name	Qty	Uom	NOTES
27	045736-402	FRAME, FR, WELDMENT, 18" BK	1	EA	
28	045774-000	SHELF, SUPPLY, POWER, ASSY	1	EA	
29	054057-000	RECEIVER, HINGE, SLOW-CLOSE, DAMPENED	2	EA	
30	046065-000	BRACKET, SWITCH, OVEN LIGHT	1	EA	
31	046128-000	GASKET, LINER, ASM, AG, 18"	1	EA	
32	046187-000	SHIELD, WATER, DIVERTER	2	EA	
33	046361-000	BRACE, BOT, LH, CAVITY 18"	1	EA	
34	046409-000	BRCKT, RETAINER, REGULATOR	1	EA	
35	046489-000	DIVERTER, AIR, RH	1	EA	
36	046651-000	SCREW, TRILOBE, 10-32, TRUSS, PH, BLACK		EA	
37	047055-000	BRACKET, LEG, OFFSET	2	EA	
38	047065-000	BRACE, BTM, INSUL, RETAINER	2	EA	
39	048048-000	BRKT, SWITCH, LIM, HIGH	1	EA	
40	A2004429	OVEN BOTTOM INSUL. BRACE (VGSC306)	2	EA	
41	044513-000	OVEN, CVTY, BTM, 30"	1	EA	
42	066212-000	ASM, BOTTOM, CAVITY, OVEN, GAS, 18"	1	EA	
43	PC030007	LEG PLATE - 3/4" THREADED HOLE	6	EA	
44	PD040005	SNAP BUSHING, 7/8"	1	EA	
45	043907-000	BASE, BOT, 48" GAS	1	EA	
46	042343-000	PANEL, INSL, LH	1	EA	
47	066203-000	ASM, BOTTOM. CAVITY, OVEN, GAS, 30"	1	EA	
48	PB070079	SILICONE EXTRUSION (DGSU)	4	EA	
49	008200-000	FAN BRACKET	1	EA	
50	044044-000	GROMMET, SWITCH, DOOR, RBR	2	EA	
51	A2004428	REAR BOTTOM BRCKT (VGSC306)	1	EA	





Item	Part No.	Name	Qty	Uom	NOTES
52	N/P	BRACKET, SHIM, RECEIVER, HINGE	2	EA	
Not Shown	NOTE	MUST ORDER FRONT FRAME ASSEMBLY		EA	
53	N/P	BRACKET, SHIM, RECEIVER, HINGE	2	EA	
Not Shown	NOTE	MUST ORDER FRONT FRAME ASSEMBLY		EA	
54	045548-000	CLIP, ROUTING, WIRE	20	EA	
55	043800-000	BUMPER, RBR, BLK	4	EA	
56	046595-000	WASHER, FIBER, BLACK	10	EA	
57	PD020010	10 X 3/8 GREEN GROUNDING SCREW	5	EA	
58	045528-000	STANDOFF, LOCKING CLIP	4	EA	
59	045550-000	SADDLE, WIRE, EDGE	2	EA	
60	045551-000	CLIP, HARNESS, STANDOFF	1	EA	
61	004526-000	10 x 1/2 PH, NPLT, TAPPING SCREW		EA	
62	046677-000	INSULATION, FBGL, RECEIVER, DAMPENING	4	EA	
63	A2002654	ANTI-TIP DEVICE (VDSC)	1	EA	
NI	PD010018	TOGGLE BOLT (3/16" X 2")	2	EA	
Not Shown	NOTE	(USED WITH ITEM # 63)		EA	
NI	PD020012	#10 X 1/2 TRIM HEX HD. TAP SCREW	1	EA	
Not Shown	NOTE	(USED WITH ITEM # 63)		EA	
64	PD020002	10 X 1/2 PH TR HD SMS	4	EA	
65	045666-402	FRAME, FR, WELDMENT, 30" BK	1	EA	

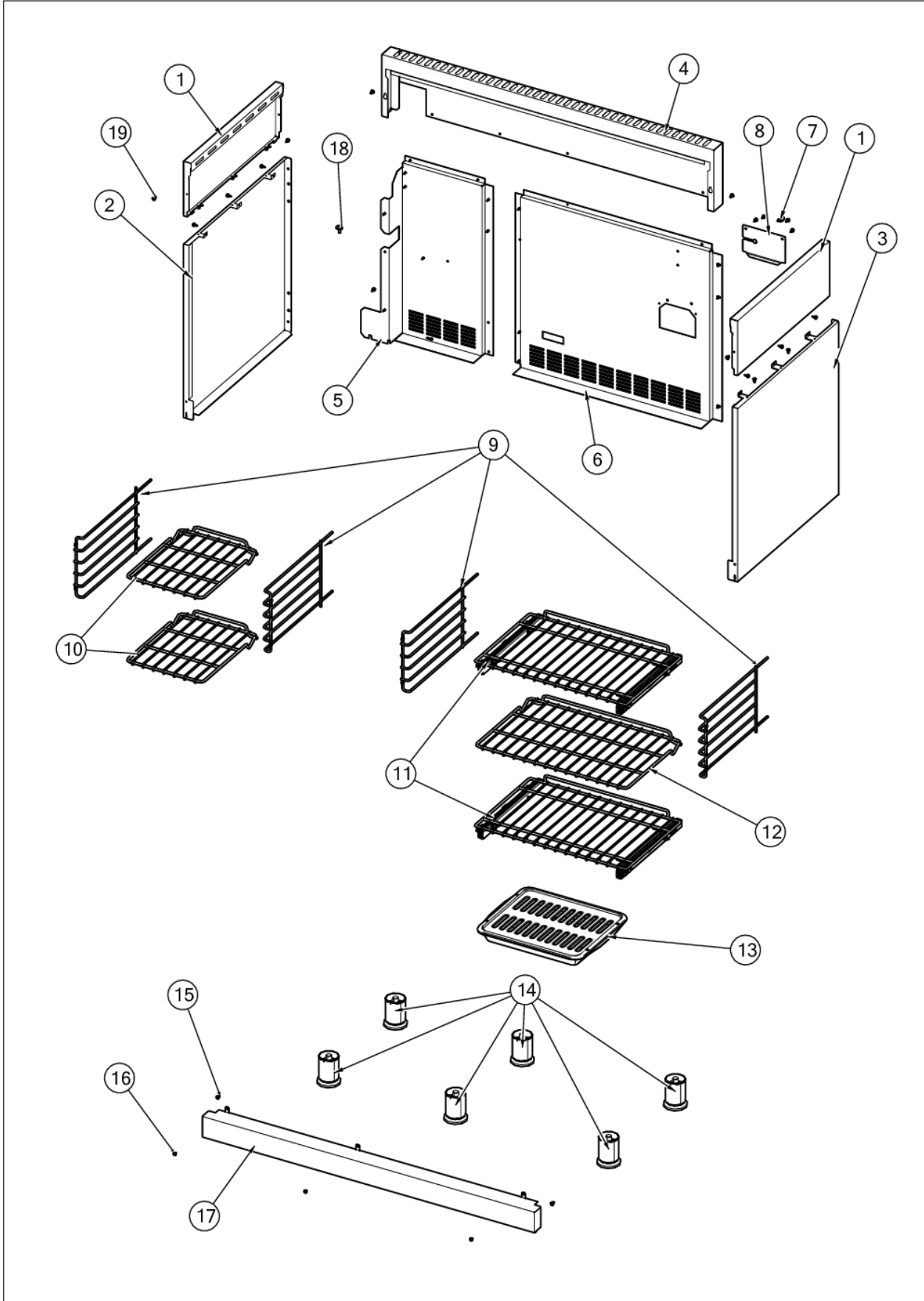
CONTROL



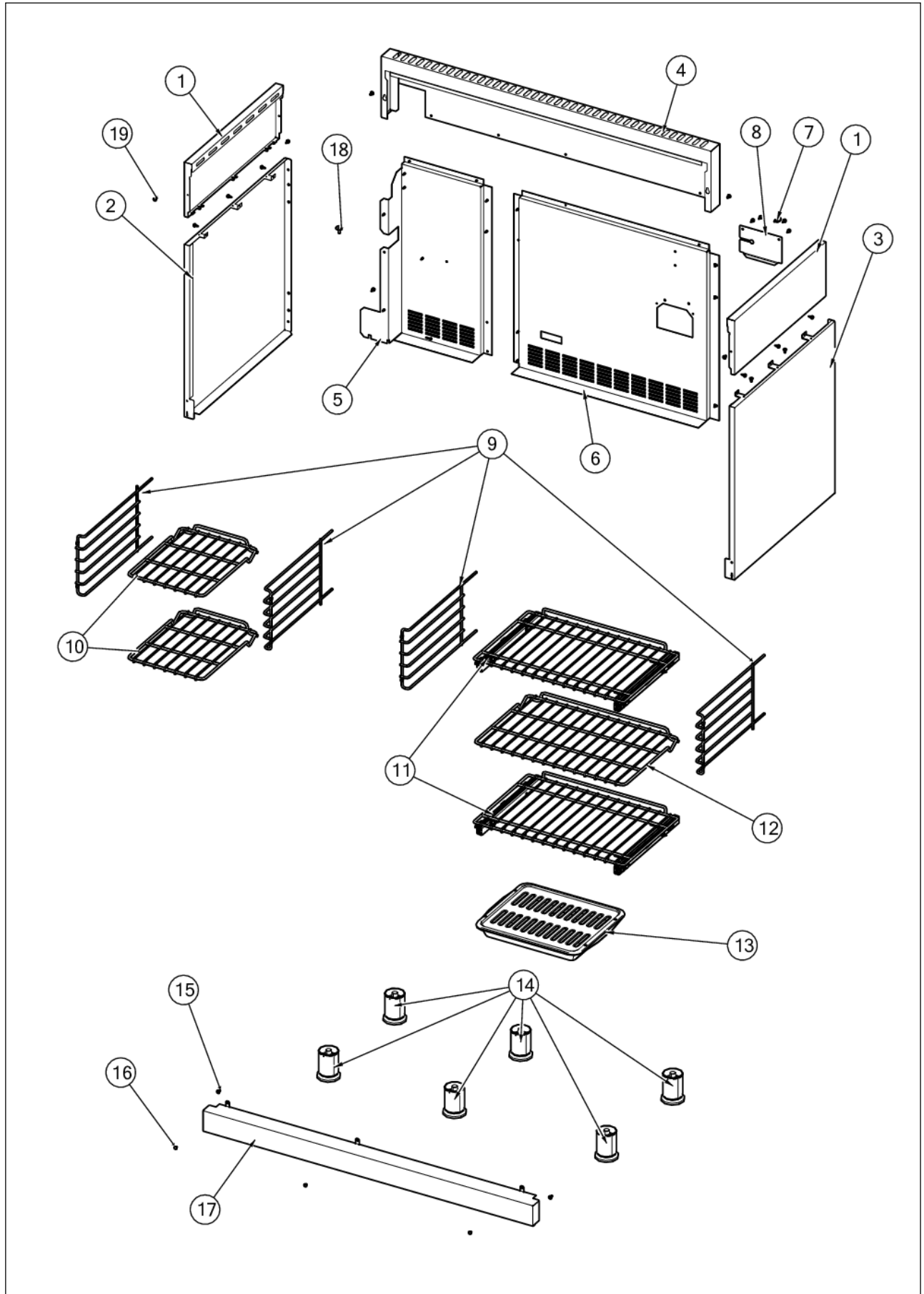


Item	Part No.	Name	Qty	Uom	NOTES
1	PD020032	SRW-8(A)X3/8"PH.WFR HD 7/16DIA*NICL	2	EA	
2	043732-2611	PANEL, CTRL, VGR7448B ASM, W/GRAPHICS	1	EA	
3	044937-000	LENS, COVER, LED, CLEAR	10	EA	
4	044512-000	BEARING, BEZEL, ASM	8	EA	
5	048309-000	BZL, KNOB	10	EA	
6	027968-000	LENS, BLUE	2	EA	
7	PD020046	NO.8 X 1/2 SCREW	8	EA	
8	PD020269	#8 PAN HEAD SCREW	4	EA	
9	042557-000	KNOB, ASSY, T'STAT, OVEN, A/G (TRI-CHROME CR3)	1	EA	
10	042563-000	KNOB, ASSY, T'STAT, OVEN, LH, A/G (TRI-CHROME CR3)	1	EA	
11	042558-000	KNOB, ASSY, BURNER (TRI- CHROME CR3)	8	EA	

DECOR



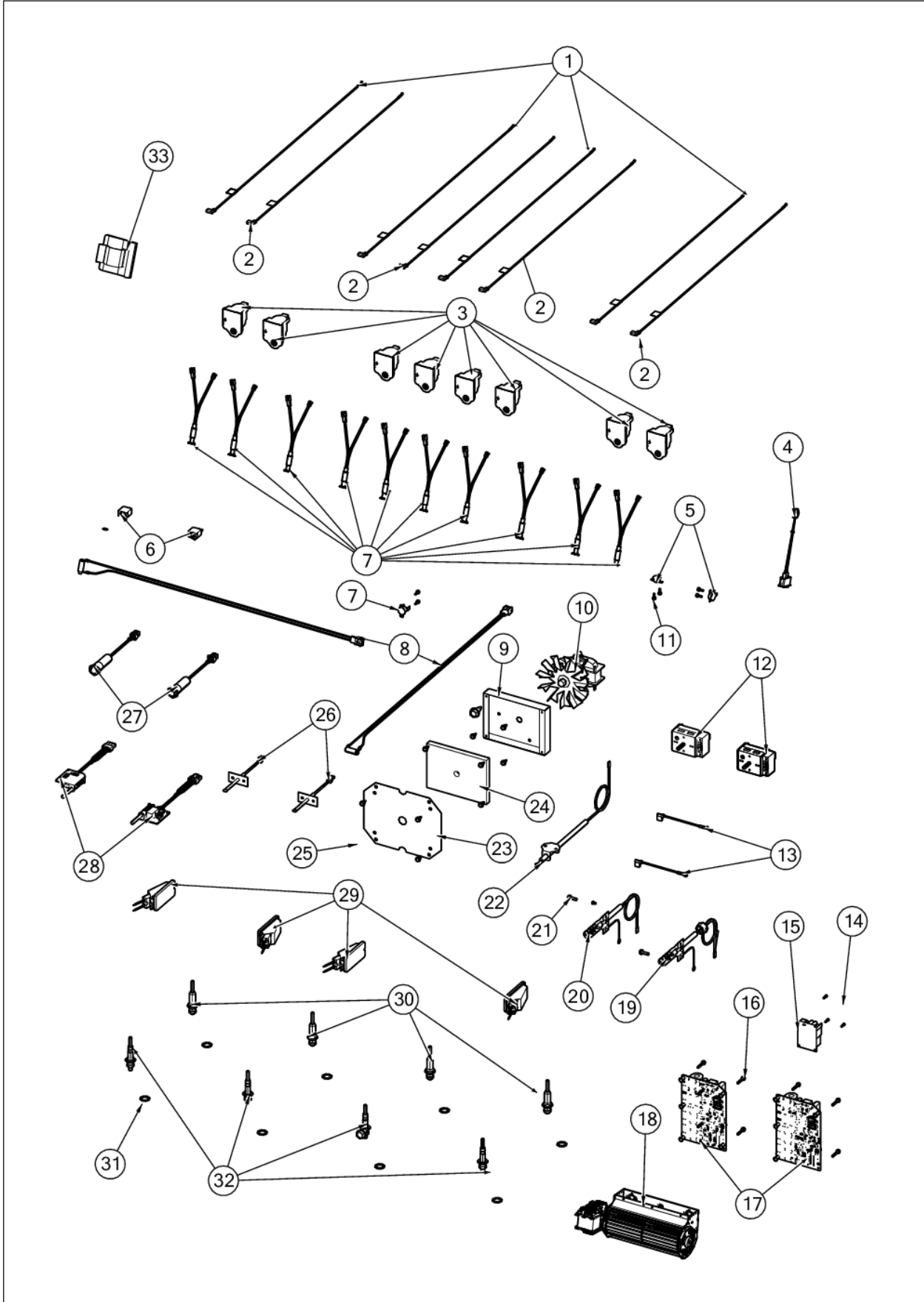
Item	Part No.	Name	Qty	Uom	NOTES
1	052892-000	COVER, OS, RH/LH UPPER	2	EA	
2	042372-000	COVER, OS, LH	1	EA	
2	049552-024	COVER, OS, LH, DECARB AR	1	EA	
2	049552-002	COVER, OS, LH, DECARB BK	1	EA	
2	049552-005	COVER, OS, LH, DECARB GG	1	EA	
2	049552-008	COVER, OS, LH, DECARB BU	1	EA	
2	049552-013	COVER, OS, LH, DECARB CB	1	EA	
2	049552-006	COVER, OS, LH, DECARB WH	1	EA	
3	042375-000	COVER, OS, RH	1	EA	
3	049551-024	COVER, OS, RH, DECARB AR	1	EA	
3	049551-002	COVER, OS, RH, DECARB BK	1	EA	
3	049551-008	COVER, OS, RH, DECARB BU	1	EA	
3	049551-013	COVER, OS, RH, DECARB CB	1	EA	
3	049551-005	COVER, OS, RH, DECARB GG	1	EA	
3	049551-006	COVER, OS, RH, DECARB WH	1	EA	
4	042797-000	TRIM, IS, VGR, 48"	1	EA	
5	044140-000	COVER, BACK, 18"	1	EA	
6	042806-000	COVER, BACK, 30"	1	EA	
7	PE070069	STRAIGHT-THRU BUSHING	1	EA	
8	043746-000	PNL, ACCESS, W/HEYCO	1	EA	
9	066225-402	SUPPORT, RACK D3	4	EA	
10	040963-000	RACK, PRO, 18"	2	EA	
11	040345-000	RACK, GLDE, 30", PRO ASSY	2	EA	
12	040863-000	RACK, PRO, 30"	1	EA	
13	042253-000	PAN, BROILER, PORCELAIN ASM	1	EA	
14	044178-000	RANGE, LEG, ADJUSTABLE	6	EA	
15	003801-000	SHOULDER SCREW, #10	1	EA	
16	PD020032	SRW-8(A)X3/8"PH.WFR HD 7/16DIA*NICL	1	EA	
17	038605-000	KICKPLATE, RNG	1	EA	
17	038606-024	KICKPLATE, RNG, DCBZ AR	1	EA	
17	038606-002	KICKPLATE, RNG, DCBZ BK	1	EA	
17	038606-008	KICKPLATE, RNG, DCBZ BU	1	EA	





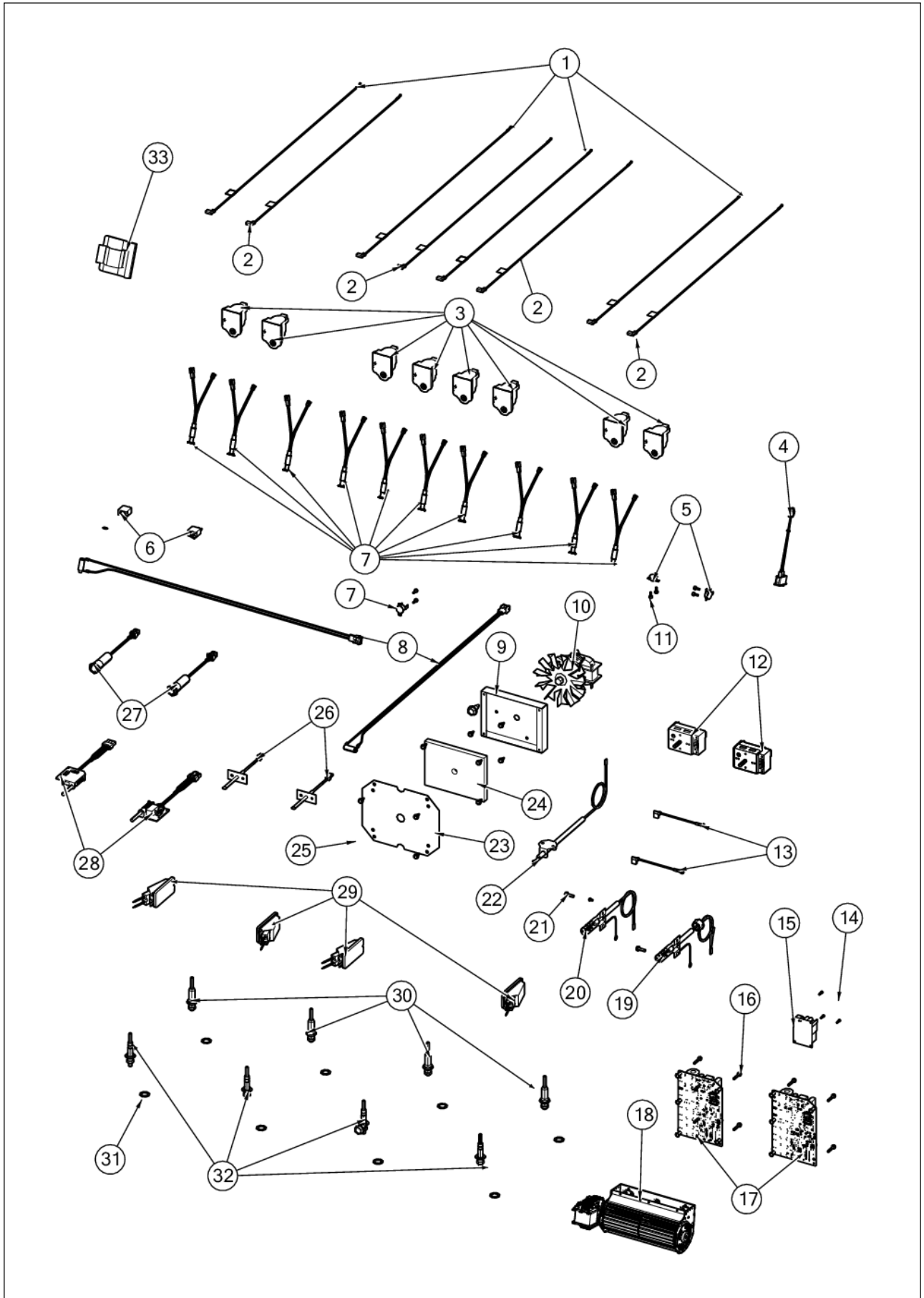
Item	Part No.	Name	Qty	Uom	NOTES
17	038606-013	KICKPLATE, RNG, DCBZ CB	1	EA	
17	038606-005	KICKPLATE, RNG, DCBZ GG	1	EA	
17	038606-006	KICKPLATE, RNG, DCBZ WH	1	EA	
18	PD020073	SRW NO.10 X 24 X 3/8 WAFER HD TYPE23	1	EA	
19	014143-000	SCR 10-12 A SHLD TRP 1/2 S ZN BLUE	1	EA	

ELECTRICAL - 1





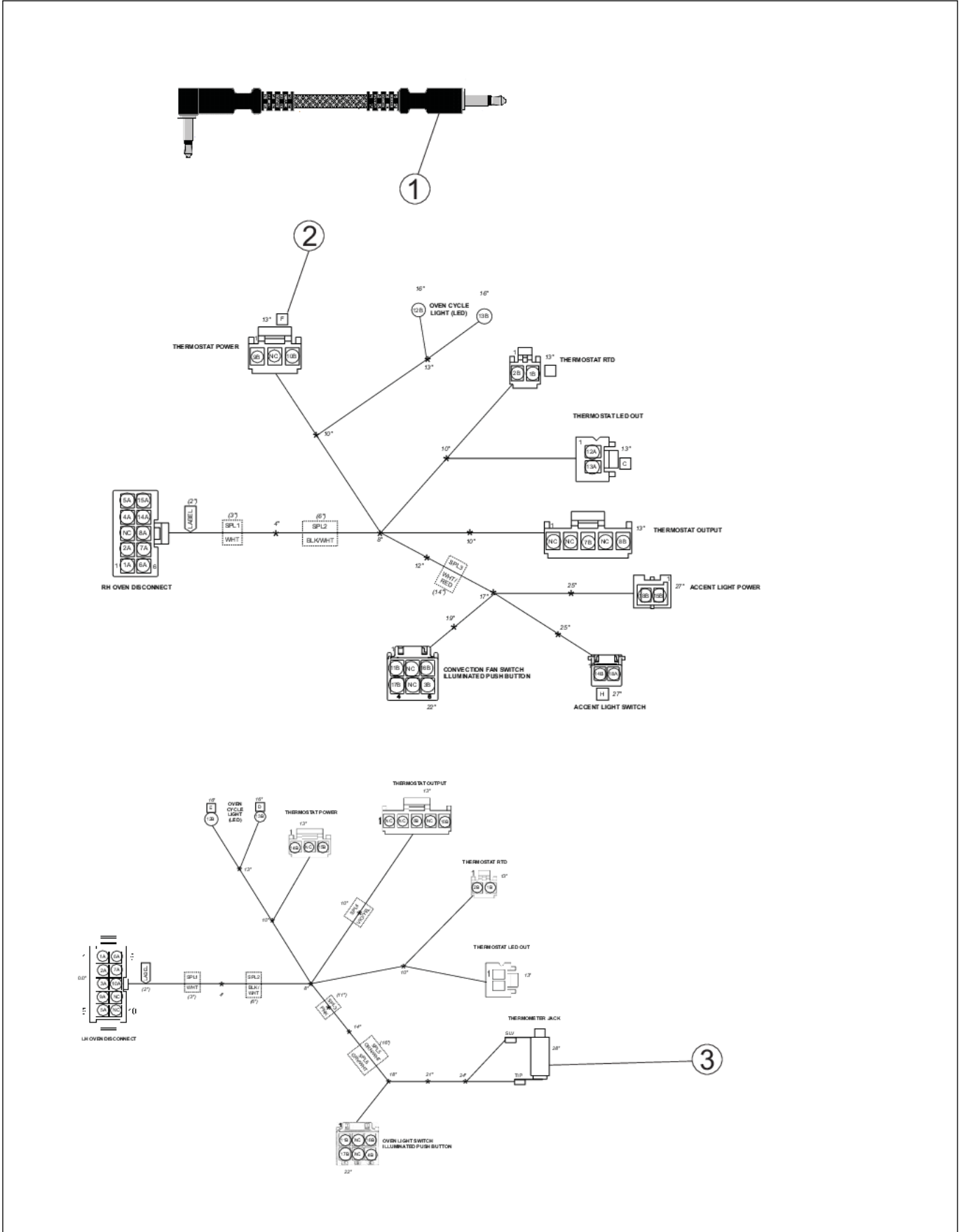
Item	Part No.	Name	Qty	Uom	NOTES
1	028312-000	WIRE, ELECTRODE,IRIS,REAR	4	EA	
2	028324-000	WIRE, ELECTRODE,IRIS,FRONT	4	EA	
3	PA020058	IRIS SINGLE SPARK MODULE	8	EA	
4	046283-000	SWITCH, LIGHTS, ACCENT W/CONN	1	EA	
5	PJ030022	FAN SWITCH (HI-LIMIT SWITCH)	2	EA	
6	043135-000	HOUSING, LIGHT, LED, BLUE 3.3V	2	EA	
7	044929-000	LAMP, LED, 12VDC, 470, BLK HS, ASM (SEE 048809-000)	10	EA	
8	008880-000	MEAT PROBE JACK	2	EA	
9	021197-000	BOX, INSULATION, FAN	1	EA	
10	023089-000	MOTOR, CONVECTION, 120V/60HZ	1	EA	
11	PD020067	#6 X 3/8" PAN PHIL. TEK *SS*	1	EA	
12	013213-000	TSTAT, SMPS, ELEC, 2-POS, .91" SHAFT, CB	2	EA	
13	043994-000	WIRE, GROUND, 5"	2	EA	
14	045594-000	SCREW, SHCS, #4-40 X 3/8, SS	1	EA	
15	044693-000	SUPPLY, POWER, AC/DC 12VDC, 15W	1	EA	
16	M0211021	SCREW-SM	1	EA	
17	043453-000	MODULE, DSI	2	EA	
18	019959-000	FAN, COOLING, DUAL, 120V X 180MM	1	EA	
19	043611-000	ASSEMBLY, ELECTRODE W/LEAD, BAKE	1	EA	
20	043657-000	ELECTRODE W/LEAD, BAKE, ASSY	1	EA	
21	023005-000	SCREW-TF	1	EA	
22	043615-000	ASSEMBLY, ELECTRODE	1	EA	
23	021199-000	COVER, BOX, INSULATION	1	EA	
24	PB070208	CONVECTION FAN INSULATION	1	EA	
25	003860-000	FASTENER,SCR,HXWH,STL,ZP LT,10-18 x .500	1	EA	
26	PE050206	RTD THERMOSTAT PROBE	2	EA	





Item	Part No.	Name	Qty	Uom	NOTES
27	044195-000	SWITCH, PB-LT, 5 WIRE, ASM	2	EA	
28	045032-000	SWITCH, DOOR, W-CONNECTOR, ASM	2	EA	
29	005311-000	LAMP, OVEN, 120V/25W	4	EA	
30	043067-000	ELECTRODE , ASM, D	4	EA	
31	045932-000	WASHER, ELECTRODE	8	EA	
32	043065-000	ELECTRODE, ASM E	4	EA	
33	049878-000	CORD, CLIP, ADHESIVE	7	EA	
NI	048830-000	KITCHEN THERMOMETER P/N 1KT0002	1	EA	

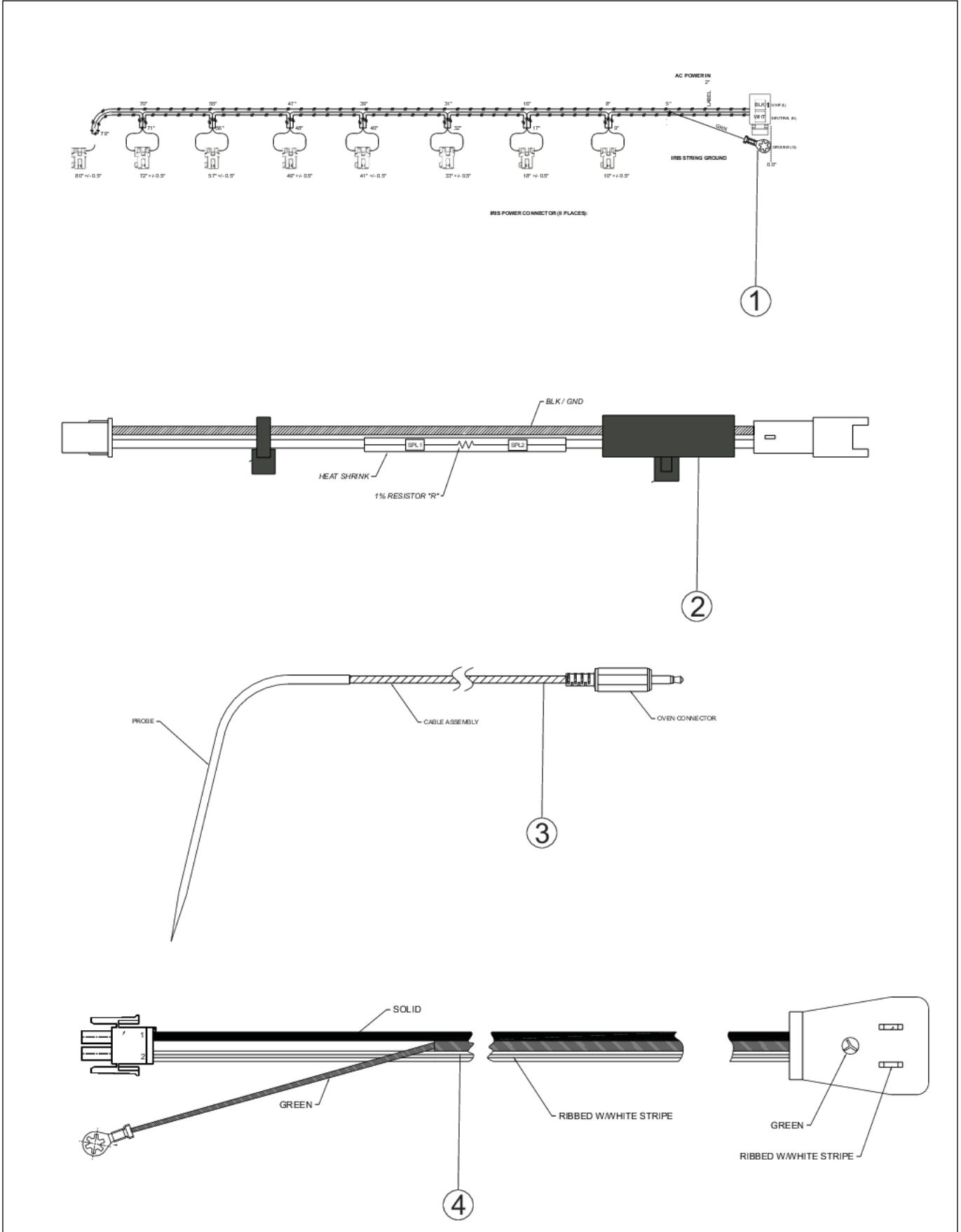
ELECTRICAL - 2





Item	Part No.	Name	Qty	Uom	NOTES
1	046021-000	CORD, ADPT, M-M, 2.5TS, 2.5TS, SST	1	EA	
2	044181-000	HARNESS, VGR7488B, CONTROL PANEL, RH	1	EA	
3	044182-000	HARNESS, VGR7488B, CONTROL PANEL, LH	1	EA	

ELECTRICAL - 3





Item	Part No.	Name	Qty	Uom	NOTES
1	044194-000	HARNESS, IRIS, 8B, GANG CONNECTOR	1	EA	
2	048817-000	HARNESS, LED, RES, JUMPER	1	EA	
3	046020-000	PROBE, MEAT, OVEN, IGRILL, SST, 3.5MM	1	EA	
4	044747-000	CORD, SUPPLY, CORD	1	EA	

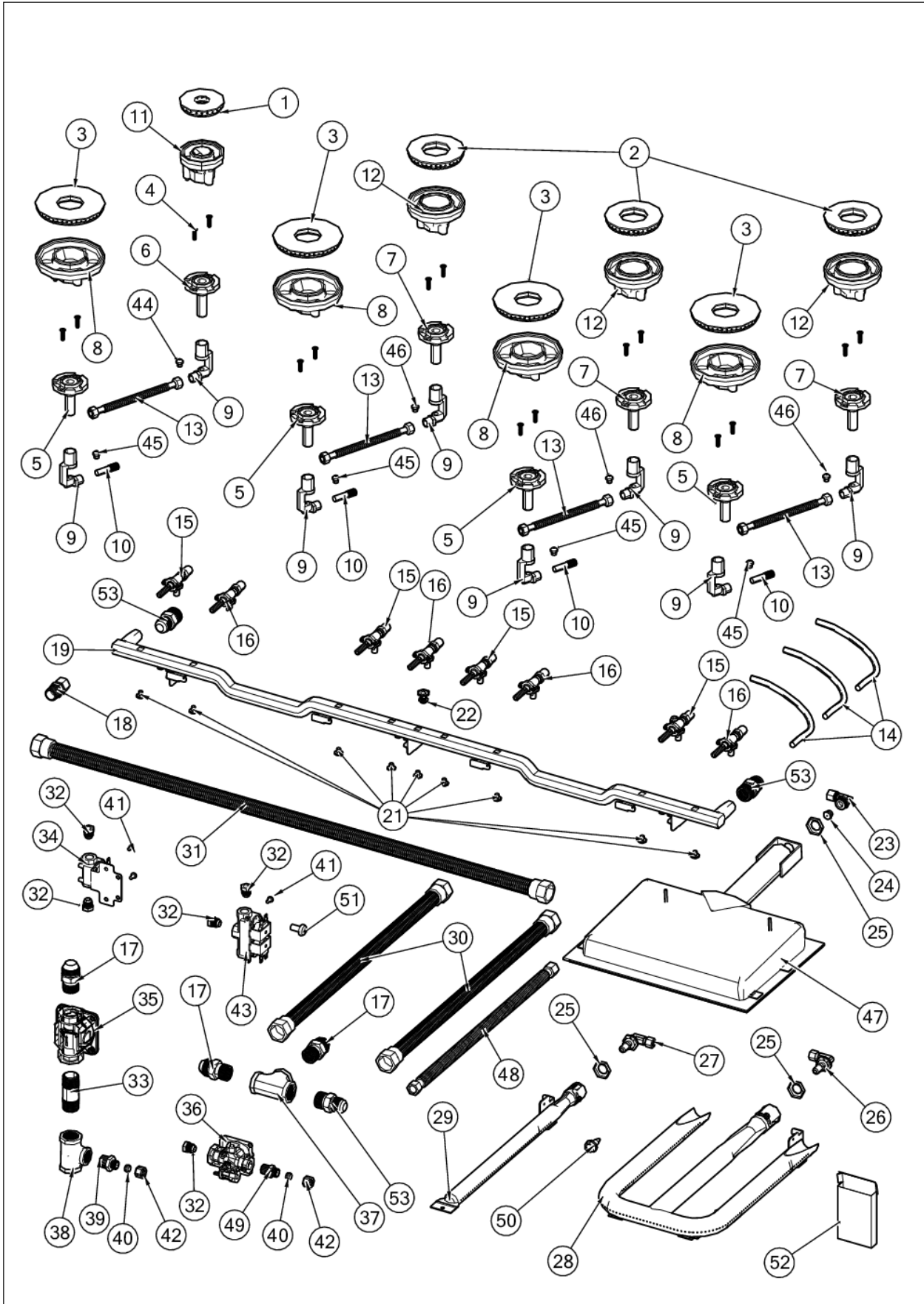




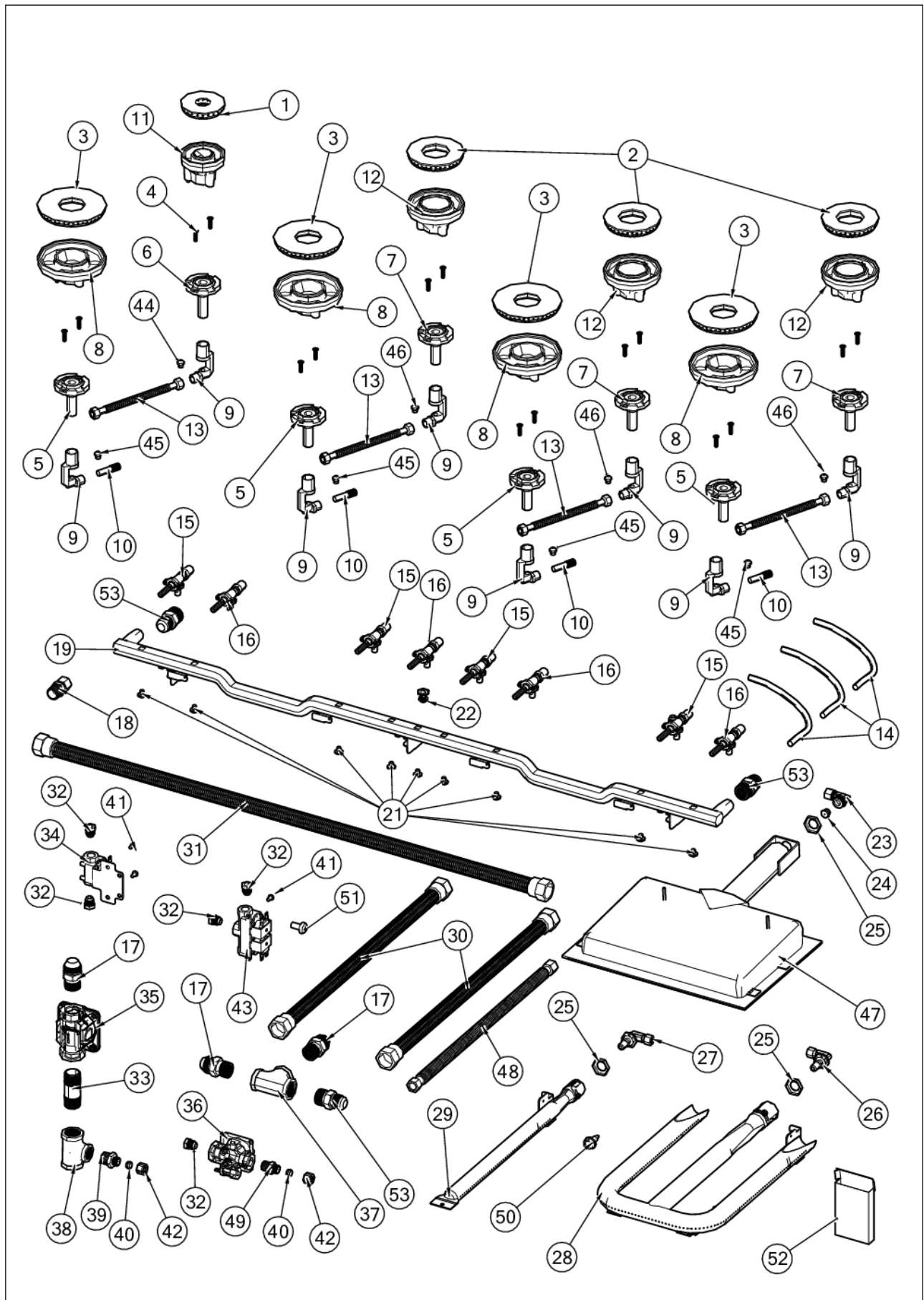


Item	Part No.	Name	Qty	Uom	NOTES
1	044180-000	HARNESS, VGR7488B, MAIN	1	EA	

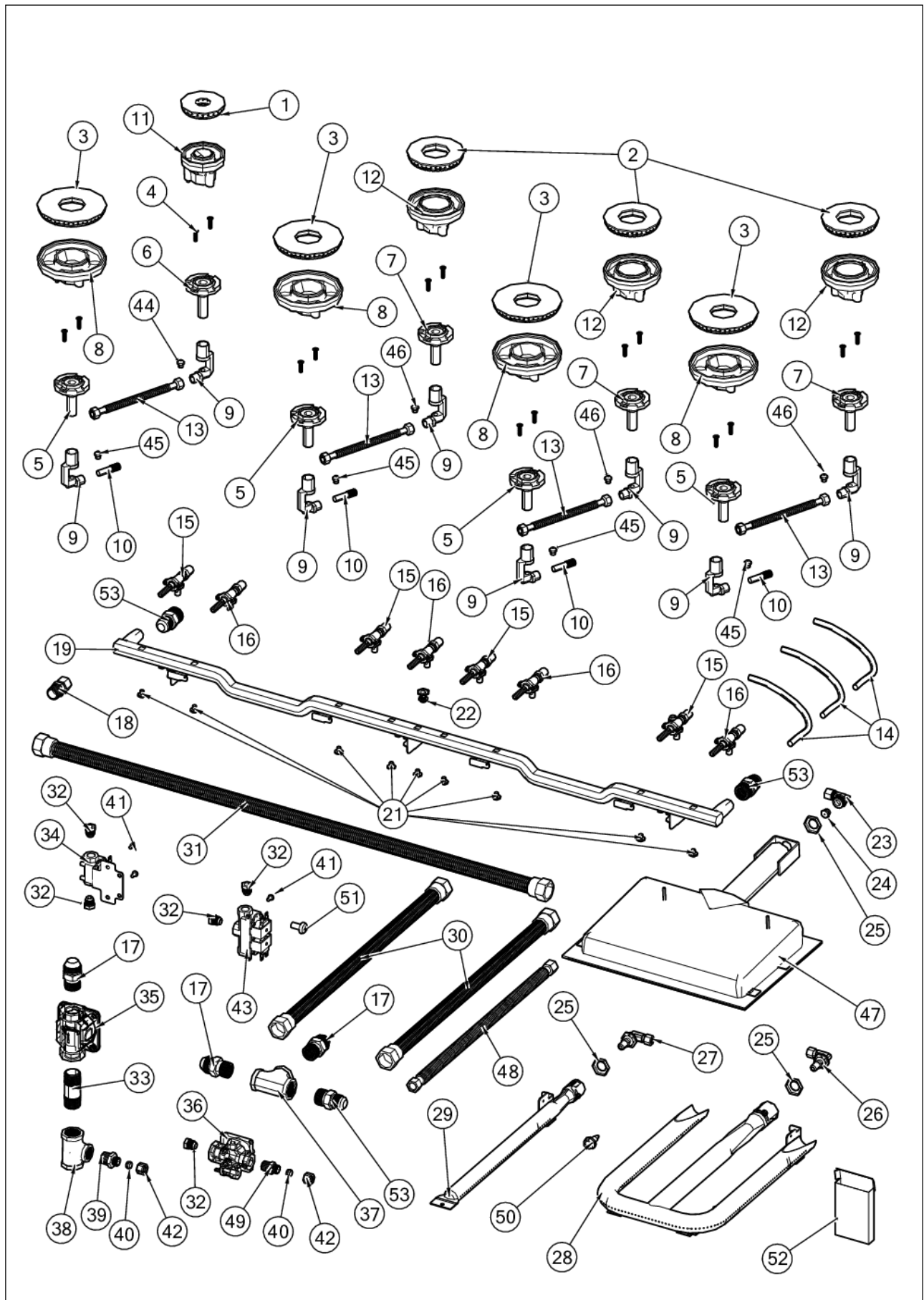
GAS



Item	Part No.	Name	Qty	Uom	NOTES
1	043791-000	BURNER, HEAD, BRS, C-SIZE	1	EA	
Not Shown	NOTE	(BEFORE 09/02/15)		EA	
1	056256-000	BURNER, HEAD, BRS, C-SIZE	1	EA	
Not Shown	NOTE	(ON OR AFTER 09/02/15)		EA	
2	043251-000	D-BURNER HEAD	3	EA	
3	053356-000	BURNER, HEAD, E	4	EA	
4	046964-000	SCREW, 10-32 X 3/4", CTSK, BLACK	16	EA	
5	044485-000	VENTURI, E NAT, FLANGE, BNR	4	EA	
5	044488-000	VENTURI, E LP, FLANGE, BNR	4	EA	
6	044686-000	VENTURI, C NAT, C LP, FLANGE, BNR	1	EA	
7	044487-000	VENTURI, D NAT, D LP, FLANGE, BNR	3	EA	
8	043158-000	E-BURNER BASE	4	EA	
Not Shown	NOTE	(BEFORE 11/18/15)		EA	
8	053357-000	BASE, BNR, E SIZE	4	EA	
Not Shown	NOTE	(ON OR AFTER 11/18/15)		EA	
9	043208-000	HOLDER, JET, BURNER	8	EA	
10	PB020191	15" FLEX TUBE	4	EA	
11	043790-000	BURNER, BASE, C-SIZE	1	EA	
Not Shown	NOTE	(BEFORE 09/02/15)		EA	
11	056458-000	BURNER, BASE, C-SIZE	1	EA	
Not Shown	NOTE	(ON OR AFTER 09/02/15)		EA	
12	043249-000	BASE, BNR, D	3	EA	
13	PB020198	20" FLEX TUBING	4	EA	
14	PB020116	TUBING - 10" FLEXIBLE 12 & 24"	3	EA	
15	046197-000	VALVE, BNR, 9/16-24 UNEF ASSY - NAT	4	EA	
15	047916-000	VALVE, BNR, 9/16-24 UNEF ASSY (BLUE) LP	4	EA	

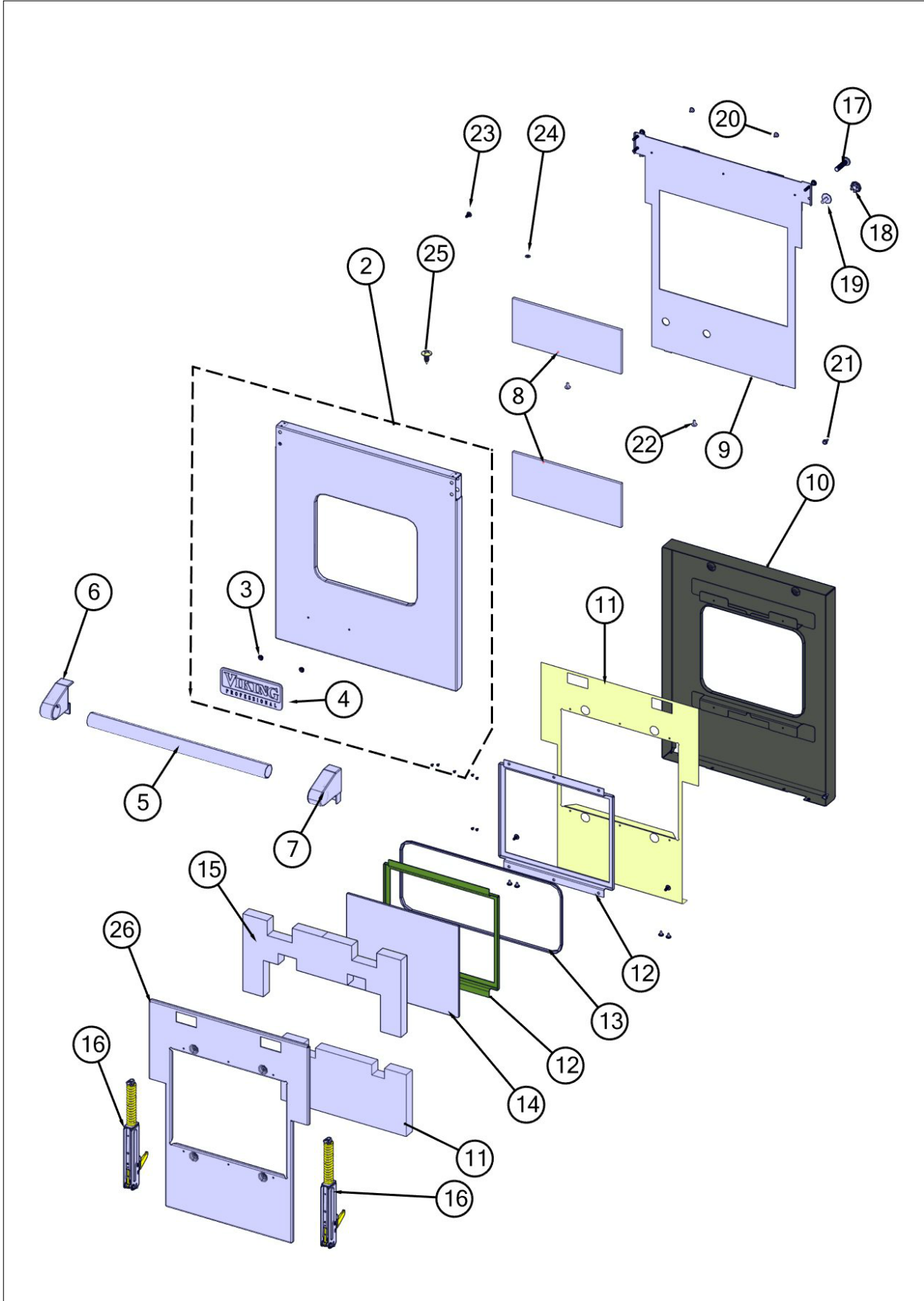


Item	Part No.	Name	Qty	Uom	NOTES
16	043134-000	VALVE, BNR, 9/16-24 UNEF ASSY - NAT	4	EA	
16	047915-000	VALVE, BNR, 9/16-24 UNEF ASSY (RED) LP	4	EA	
17	044321-000	FITTING, ADAPTOR, 3/4" FLEX TUBING	3	EA	
18	000845-000	1/2" COMP TO 1/2" MALE NPT ADAPTER	2	EA	
19	043260-000	MANIFOLD, GAS, 48" ASM	1	EA	
21	PD010012	VALVE BOLT 1/4-20 UNC-2B 5/16" M.S.	9	EA	
22	002884-000	MANIFOLD PLUG	1	EA	
23	PB040178	90 DEGREE ORIFICE FITTING (VGSC306)	1	EA	
23	PB040027	IR BUR.SPUD ORF. - #56 LP	1	EA	
24	PB040026	IR BURNER ORIFICE - #48 NAT.	1	EA	
24	PB040027	IR BUR.SPUD ORF. - #56 LP	1	EA	
25	PD030018	PALNUT - 3/4-16	3	EA	
26	048029-000	90 DEG ORIFICE FITTING #50 DRILL	1	EA	
27	048031-000	90 DEG ORIFICE FITTING, #39 DRILL	1	EA	
28	044096-000	BURNER, BAKE, ASM, 30"	1	EA	
29	044039-000	BURNER, BAKE, ASM, 18" STRAIGHT	1	EA	
30	046399-000	TUBING, 3/4" FLEX, SST, 20"	2	EA	
31	044313-000	TUBING, 3/4" FLEX, SST, 38"	1	EA	
32	PB040050	3/8CC MALE COMP. FITTING W/FERRULE	6	EA	
33	044637-000	NIPPLE, PIPE, 2-1/2, 3/4 NPTM TO 3/4 NPTM	1	EA	
34	009111-000	VALVE, SOL, SINGLE	1	EA	
35	046119-000	PRESSURE REGULATOR (NATURAL GAS)	1	EA	
35	046120-000	REGULATOR, PRSS, 3/4" INLET, 3/4" OUTLET (LP GAS)	1	EA	
36	031818-000	REGULATOR, DUAL OUTLET	1	EA	
36	041183-000	DUAL OUTLET REGULATOR LP	1	EA	
37	044323-000	TEE, PIPE, 3/4"	1	EA	



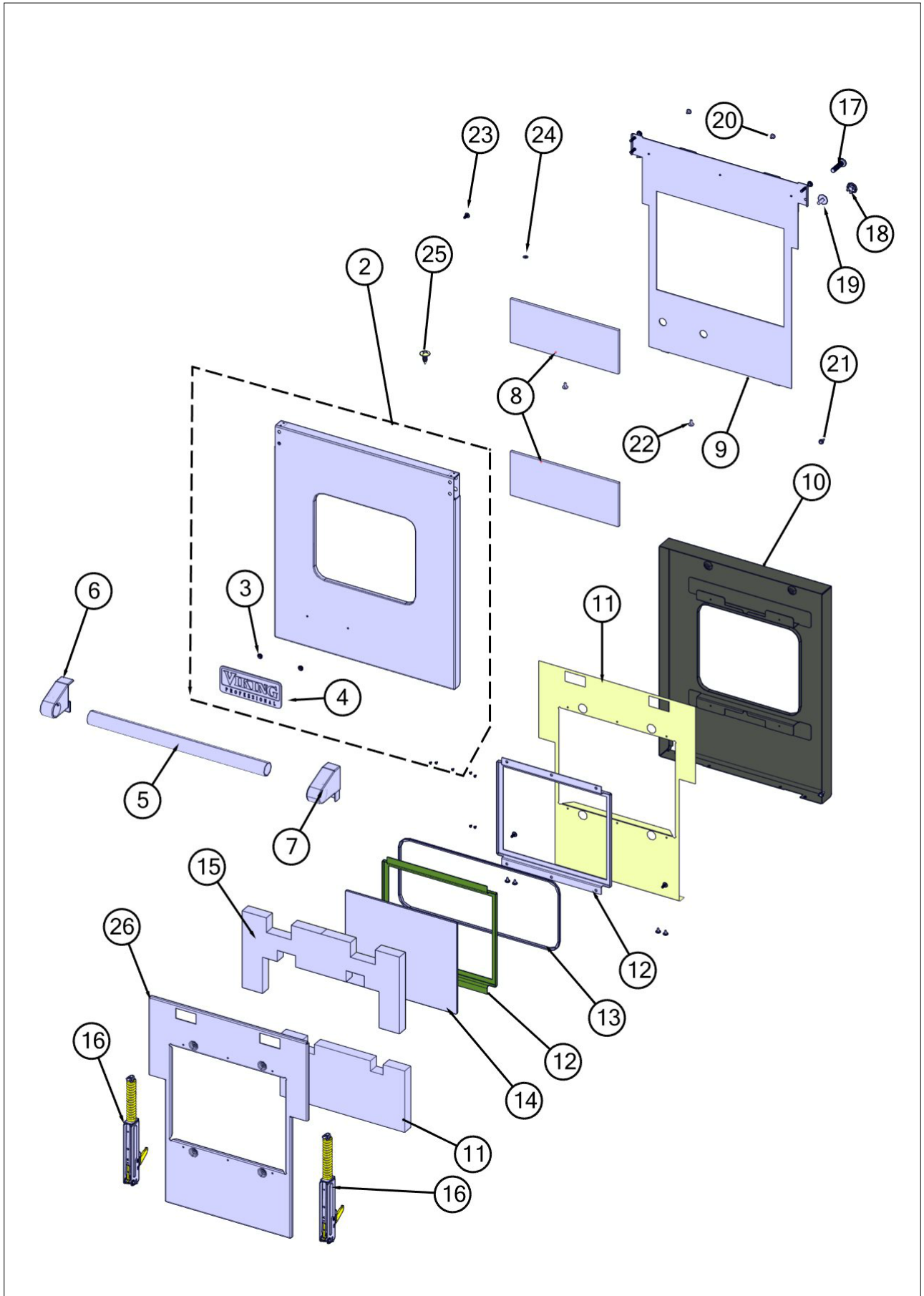
Item	Part No.	Name	Qty	Uom	NOTES
38	044638-000	TEE, PIPE, 3/4 NPTF TO 1/2 NPTM	1	EA	
39	044691-000	ADAPTOR, COMPRESSION, 1/2 NPTF TO 3/8 TUBE O.D.	1	EA	
40	PB040192	3/8" CC FERREL (DGCU)	2	EA	
41	PD020004	10X3/8PH.HD.TYPE 25 REPL PD040125	4	EA	
42	PB040213	3/8" COMPRESSION NUT (DGCU)	2	EA	
43	009112-000	VALVE, SOL, DOUBLE	1	EA	
44	044688-000	ORIFICE, BNR, STD, 1.22MM Nat	1	EA	
44	043680-000	ORIFICE, BNR, STD, 1.07MM	1	EA	
45	043675-000	ORIFICE, BNR, STD, 2.18MM Nat	4	EA	
45	044820-000	ORIFICE, BNR, STD, .813MM	4	EA	
46	046184-000	ORIFICE, BNR, STD, 1.70MM Nat	3	EA	
46	043679-000	ORIFICE, BNR, STD, 1.32MM		EA	
47	G3001876	IR BURNER ASSY (VGSC/RC) N/S	1	EA	
48	039214-000	TUBING, FLEX, SST, 18"	1	EA	
49	046826-000	ADAPTOR, COMPRESSION, 3/8" NPTM X 3/8" TUBE O.D.	1	EA	
50	003860-000	FASTENER,SCR,HXWH,STL,ZP LT,10-18 x .500		EA	
51	PD020004	10X3/8PH.HD.TYPE 25 REPL PD040125		EA	
52	048106-000	KIT, GAS CONNECTION, 3/4"	1	EA	
53	044824-000	FITTING, ADAPTOR, 1/2" FLEX TUBING	3	EA	
NI	PB020126	3/8" S.S. FLEX TUBING 15" (DGCU)	2	EA	

LH DOOR





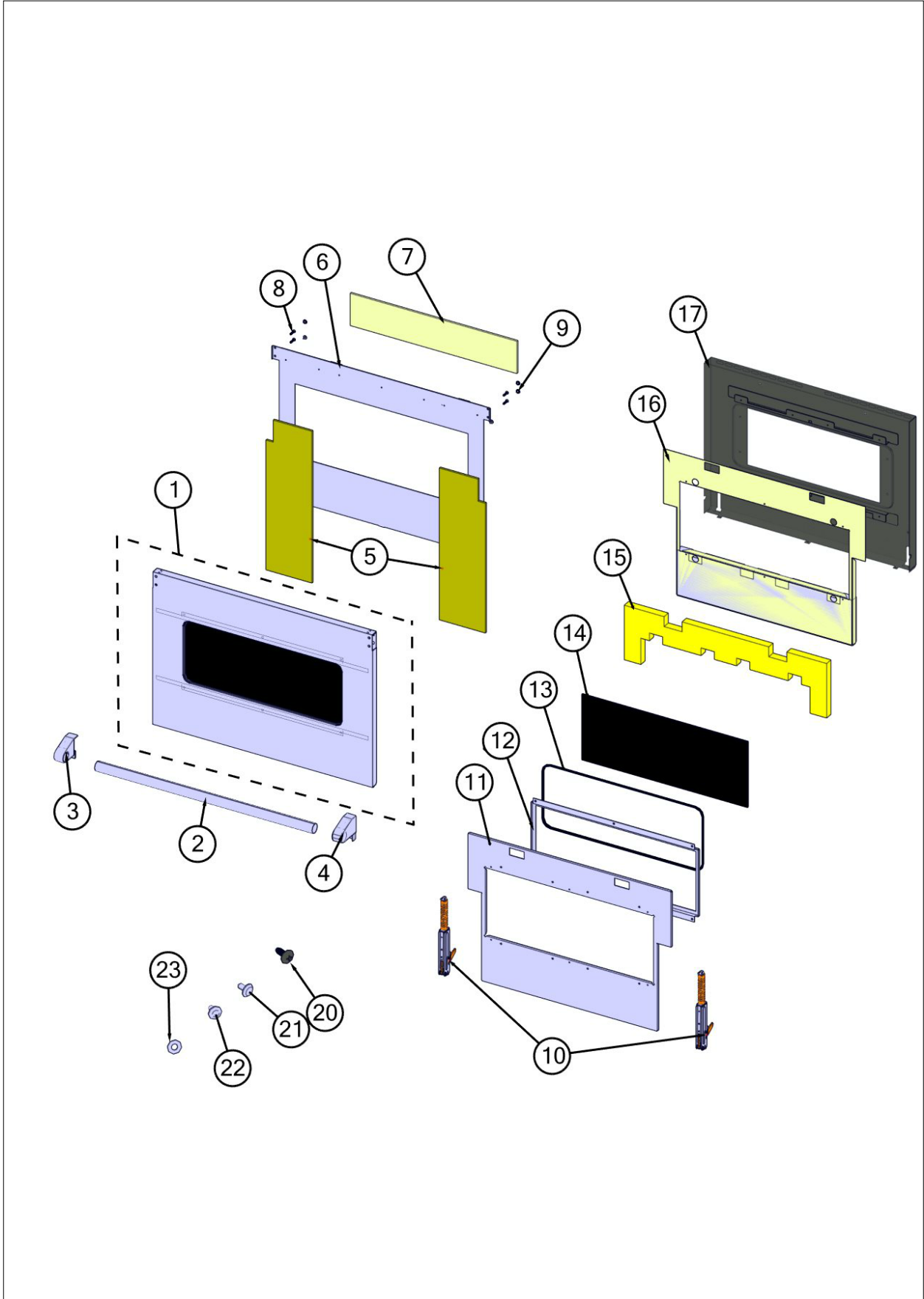
Item	Part No.	Name	Qty	Uom	NOTES
2	046194-000	DOOR, OS, KIT, 18" ASM SS	1	EA	
2	049584-024	DOOR, OS, KIT, 18" ASM AR	1	EA	
2	049584-002	DOOR, OS, KIT, 18" ASM BK	1	EA	
2	049584-008	DOOR, OS, KIT, 18" ASM BU	1	EA	
2	049584-013	DOOR, OS, KIT, 18" ASM CB	1	EA	
2	049584-005	DOOR, OS, KIT, 18" ASM GG	1	EA	
2	049584-006	DOOR, OS, KIT, 18" ASM WH	1	EA	
3	PD030006	CAPPED WASHER PAL NUT	2	EA	
4	PE010030	LOGO	1	EA	
5	006221-000	18" DOOR HANDLE, SST	1	EA	
6	003011-000	DOOR HANDLE ENDCAP ASSY, LH (CHROME)	1	EA	
7	003012-000	DOOR HANDLE ENDCAP ASSY, RH (CHROME)	1	EA	
8	006220-000	INSULATION, DOOR, SKIN, TOP, VDSC18"	2	EA	
9	046022-000	RETAINER, INSULATION, DOOR	1	EA	
10	044070-402	PNL, LINER, WA, 18" BK	1	EA	
11	046032-000	RETAINER, INSL, 30" INSIDE	1	EA	
12	006217-000	18" WINDOW HOLDER	1	EA	
13	PB070014	DOOR GLASS SEAL STRIP - WINDOW DRS.	1	EA	
14	046136-000	GLASS, DOOR, INNER	1	EA	
15	046372-000	INSULATION, LINER, DOOR, 18"	1	EA	
16	046002-000	HINGE, NUOVA STAR, YELLOW	2	EA	
17	030823-000	#10-32 PAN HEAD PHILLIPS MACHINE SCREW		EA	
18	004907-000	STEEL FINISHING PLUG, NICKEL PLTD 25/64" HOLE		EA	
19	PD020073	SRW NO.10 X 24 X 3/8 WAFER HD TYPE23		EA	
20	PD020063	SCREW-#8(A) X 3/8"PH WFR HD/BK OXID		EA	
21	003860-000	FASTENER,SCR,HXWH,STL,ZP LT,10-18 x .500		EA	
22	PD020033	SRW-NO.10- 24X1/2T(23)PH.WFR HD (NKL)		EA	



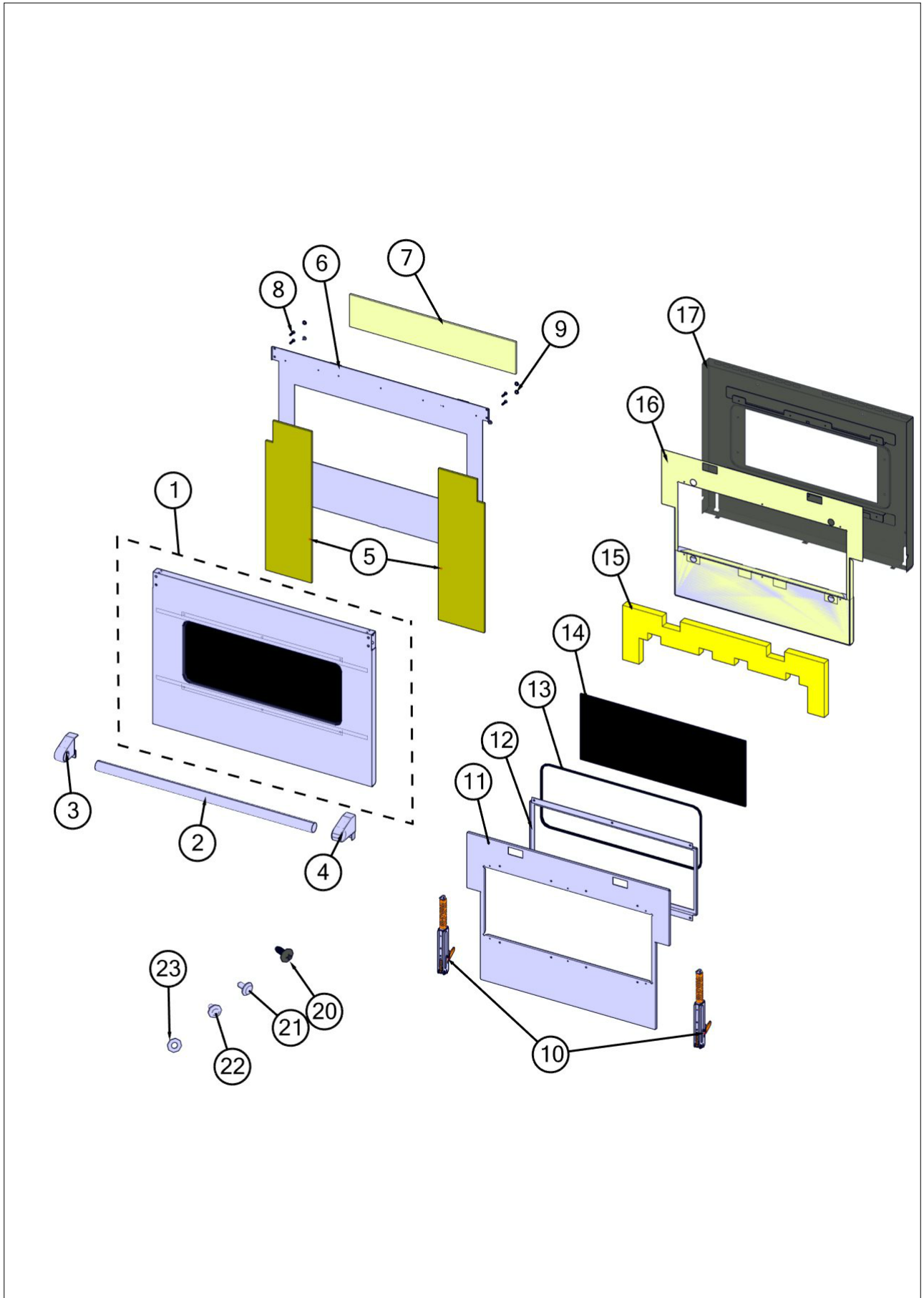


Item	Part No.	Name	Qty	Uom	NOTES
23	046651-000	SCREW, TRILOBE, 10-32, TRUSS, PH, BLACK		EA	
24	046595-000	WASHER, FIBER, BLACK		EA	
25	004526-000	10 x 1/2 PH, NPLT, TAPPING SCREW		EA	
26	046037-000	RETAINER, INSL, 30" INSIDE	1	EA	
27	046676-000	INSULATION, DOOR LINER, BOTTOM, 18"	1	EA	

RH DOOR



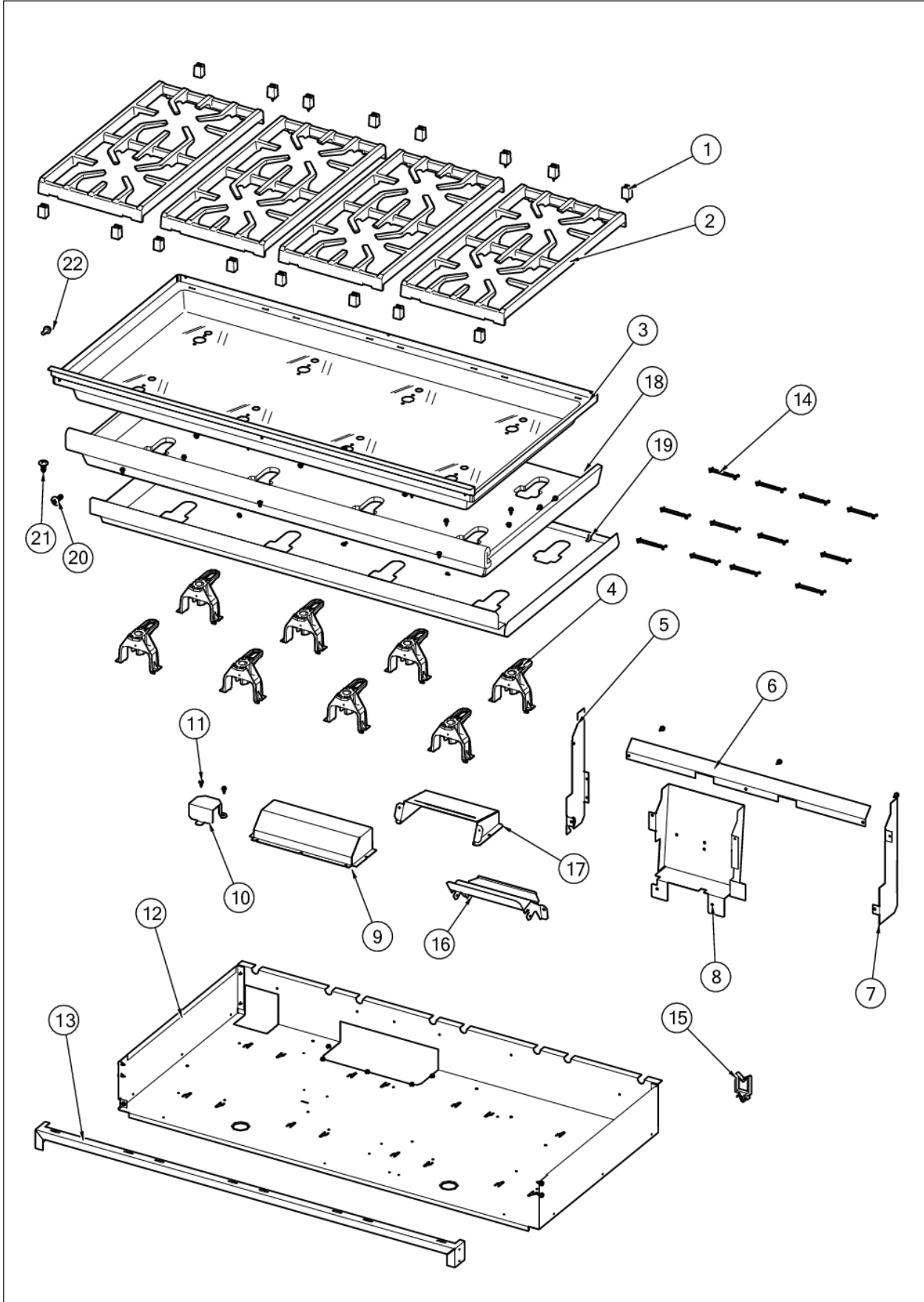
Item	Part No.	Name	Qty	Uom	NOTES
1	044053-000	DOOR, OS, KIT, 30" ASM SS	1	EA	
1	049581-024	DOOR, OS, KIT, 30" ASM AR	1	EA	
1	049581-002	DOOR, OS, KIT, 30" ASM BK	1	EA	
1	049581-008	DOOR, OS, KIT, 30" ASM BU	1	EA	
1	049581-013	DOOR, OS, KIT, 30" ASM CB	1	EA	
1	049581-005	DOOR, OS, KIT, 30" ASM GG	1	EA	
1	049581-006	DOOR, OS, KIT, 30" ASM WH	1	EA	
2	002728-000	DOOR HANDLE - SS, 1.25" 29.5	1	EA	
3	003011-000	DOOR HANDLE ENDCAP ASSY, LH (CHROME)	1	EA	
4	003012-000	DOOR HANDLE ENDCAP ASSY, RH (CHROME)	1	EA	
5	006086-000	DOOR, SKIN, INSULATION, SIDE, 36	2	EA	
6	046009-000	RETAINER, INSULATION, DOOR	1	EA	
7	006788-000	INSULATION, DOOR, TOP, SUPE RWool, .25, VDSC530	1	EA	
8	030823-000	#10-32 PAN HEAD PHILLIPS MACHINE SCREW	1	EA	
9	004907-000	STEEL FINISHING PLUG, NICKEL PLTD 25/64" HOLE	1	EA	
10	046001-000	HINGE, NUOVA STAR, ORANGE	2	EA	
11	046032-000	RETAINER, INSL, 30" INSIDE	1	EA	
12	L20014077	30" WINDOW HOLDER	1	EA	
13	PB070014	DOOR GLASS SEAL STRIP - WINDOW DRS.	1	EA	
14	025099-000	INNER DOOR GLASS, 30"	1	EA	
15	046192-000	INSULATION, LINER, DOOR, 30"	1	EA	
16	046674-000	INSULATION, DOOR LINER, BOTTOM, 30"	1	EA	
17	044058-402	PNL, LINER, WA, 30"BK	1	EA	
20	046651-000	SCREW, TRILOBE, 10-32, TRUSS, PH, BLACK		EA	
21	PD020032	SRW-8(A)X3/8"PH.WFR HD 7/16DIA*NICL		EA	
22	PD020063	SCREW-#8(A) X 3/8"PH WFR HD/BK OXID		EA	





Item	Part No.	Name	Qty	Uom	NOTES
23	046595-000	WASHER, FIBER, BLACK	6	EA	
NI	004526-000	10 x 1/2 PH, NPLT, TAPPING SCREW		EA	

SURFACE







Item	Part No.	Name	Qty	Uom	NOTES
1	058147-000	GRATE, LEG, ASSY, PHASE 2 (BLK)	16	EA	
Comments for Part Num. 058147-000					
gboltz@VikingRange.com on Jun 6, 2016					
See parts bulletin 2016-03P Grate support changes					
2	042545-000	GRATE, CAST, 12"	4	EA	
3	048236-402	PAN, BNR, SHIM, ASM, BK	1	EA	
4	044486-000	SUPPORT, HLDR, JET	8	EA	
5	042741-000	DIVERTER, BRKT, RH	1	EA	
6	031313-000	DIVERTER, AIR 36	1	EA	
7	042742-000	DIVERTER, BRKT, LH	1	EA	
8	042785-000	COVER, BLO	1	EA	
9	042350-000	COVER, FAN	1	EA	
10	048188-000	BRACKET, TEE, PIPE	1	EA	
11	003860-000	FASTENER, SCR, HXWH, STL, ZP LT, 10-18 x .500		EA	
12	042801-000	BOX, BNR, 48"	1	EA	
13	049728-000	BRACKET, MTG, 48" CONTROL PANEL	1	EA	
14	048961-000	STANDOFF, TWIST LOCK, TALL	12	EA	
15	045548-000	CLIP, ROUTING, WIRE	6	EA	
16	049964-000	SHIELD, HEAT, HARNESS, TOP	2	EA	
17	049753-000	SHIELD, HEAT, HARNESS, BTM	2	EA	
18	049743-000	INSULATION, LINER, BURNER PAN, 48	1	EA	
19	049695-000	TRAY, PNL, INSULATION, BURNER PAN, 48	1	EA	
20	PD020068	' #10 - 32 X 1/2" TRUSS. PHIL. M.*SS*		EA	
21	014143-000	SCR 10-12 A SHLD TRP 1/2 S ZN BLUE		EA	
22	PD020010	10 X 3/8 GREEN GROUNDING SCREW		EA	



Appendix A:Pages Index

BASE ..... 1  
CONTROL ..... 2  
DECOR ..... 3  
ELECTRICAL - 1 ..... 4  
ELECTRICAL - 2 ..... 5  
ELECTRICAL - 3 ..... 6  
ELECTRICAL - 4 ..... 7  
GAS ..... 8  
LH DOOR ..... 9  
RH DOOR ..... 10  
SURFACE ..... 11



Appendix B:Parts Index

000845-000	8	031445-402	1
002728-000	10	031818-000	8
002884-000	8	033668-000	1
003011-000	9, 10	037304-000	1
003012-000	9, 10	038605-000	3
003801-000	3	038606-002	3
003860-000	1, 4, 8, 9, 11	038606-005	3
004526-000	1, 9, 10	038606-006	3
004907-000	9, 10	038606-008	3
005311-000	4	038606-013	3
005536-000	1	038606-024	3
006086-000	10	038705-000	1
006192-000	1	039214-000	8
006217-000	9	040345-000	3
006220-000	9	040736-000	1
006221-000	9	040863-000	3
006788-000	10	040963-000	3
008200-000	1	041183-000	8
008880-000	4	042253-000	3
009005-000	1	042339-000	1
009111-000	8	042343-000	1
009112-000	8	042346-000	1
012438-000	1	042350-000	11
013213-000	4	042372-000	3
014143-000	3, 11	042375-000	3
014747-000	1	042545-000	11
019959-000	4	042557-000	2
020409-000	1	042558-000	2
020412-000	1	042563-000	2
021197-000	4	042741-000	11
021199-000	4	042742-000	11
021225-402	1	042785-000	11
023005-000	4	042797-000	3
023089-000	4	042799-000	1
025099-000	10	042801-000	11
027968-000	2	042806-000	3
028312-000	4	042866-402	1
028324-000	4	042867-000	1
030823-000	9, 10	042868-000	1
031313-000	11	042875-000	1
		043065-000	4



043067-000	4	044488-000	8
043134-000	8	044512-000	2
043135-000	4	044513-000	1
043158-000	8	044637-000	8
043208-000	8	044638-000	8
043249-000	8	044686-000	8
043251-000	8	044688-000	8
043260-000	8	044691-000	8
043453-000	4	044693-000	4
043611-000	4	044747-000	6
043615-000	4	044793-000	1
043657-000	4	044820-000	8
043675-000	8	044824-000	8
043679-000	8	044929-000	4
043680-000	8	044937-000	2
043732-2611	2	045032-000	4
043746-000	3	045060-000	1
043790-000	8	045528-000	1
043791-000	8	045548-000	1, 11
043800-000	1	045550-000	1
043907-000	1	045551-000	1
043994-000	4	045594-000	4
044039-000	8	045666-402	1
044044-000	1	045736-402	1
044053-000	10	045774-000	1
044058-402	10	045932-000	4
044070-402	9	046001-000	10
044096-000	8	046002-000	9
044140-000	3	046009-000	10
044178-000	3	046020-000	6
044180-000	7	046021-000	5
044181-000	5	046022-000	9
044182-000	5	046032-000	9, 10
044194-000	6	046037-000	9
044195-000	4	046065-000	1
044313-000	8	046119-000	8
044321-000	8	046120-000	8
044323-000	8	046128-000	1
044485-000	8	046136-000	9
044486-000	11	046184-000	8
044487-000	8	046187-000	1



046192-000	10	049552-013	3
046194-000	9	049552-024	3
046197-000	8	049581-002	10
046283-000	4	049581-005	10
046361-000	1	049581-006	10
046372-000	9	049581-008	10
046399-000	8	049581-013	10
046409-000	1	049581-024	10
046489-000	1	049584-002	9
046595-000	1, 9, 10	049584-005	9
046651-000	1, 9, 10	049584-006	9
046674-000	10	049584-008	9
046676-000	9	049584-013	9
046677-000	1	049584-024	9
046826-000	8	049695-000	11
046964-000	8	049728-000	11
047055-000	1	049743-000	11
047065-000	1	049753-000	11
047915-000	8	049878-000	4
047916-000	8	049964-000	11
048029-000	8	052892-000	3
048031-000	8	053356-000	8
048048-000	1	053357-000	8
048106-000	8	054057-000	1
048188-000	11	056256-000	8
048236-402	11	056458-000	8
048309-000	2	058147-000	11
048817-000	6	066203-000	1
048830-000	4	066212-000	1
048961-000	11	066225-402	3
049500-000	1	A2002654	1
049551-002	3	A2004428	1
049551-005	3	A2004429	1
049551-006	3	G3001876	8
049551-008	3	L20014077	10
049551-013	3	M0211021	4
049551-024	3	PA020058	4
049552-002	3	PB020116	8
049552-005	3	PB020126	8
049552-006	3	PB020191	8
049552-008	3	PB020198	8



PB040026 ..... 8  
PB040027 ..... 8, 8  
PB040050 ..... 8  
PB040178 ..... 8  
PB040192 ..... 8  
PB040213 ..... 8  
PB070014 ..... 9, 10  
PB070079 ..... 1  
PB070208 ..... 4  
PC030007 ..... 1  
PD010012 ..... 8  
PD010018 ..... 1  
PD020002 ..... 1  
PD020004 ..... 8, 8  
PD020010 ..... 1, 11  
PD020012 ..... 1  
PD020032 ..... 2, 3, 10  
PD020033 ..... 9  
PD020046 ..... 2  
PD020063 ..... 9, 10  
PD020067 ..... 4  
PD020068 ..... 11  
PD020073 ..... 3, 9  
PD020269 ..... 2  
PD030006 ..... 9  
PD030018 ..... 8  
PD040005 ..... 1  
PE010030 ..... 9  
PE050206 ..... 4  
PE070069 ..... 3  
PJ030022 ..... 4