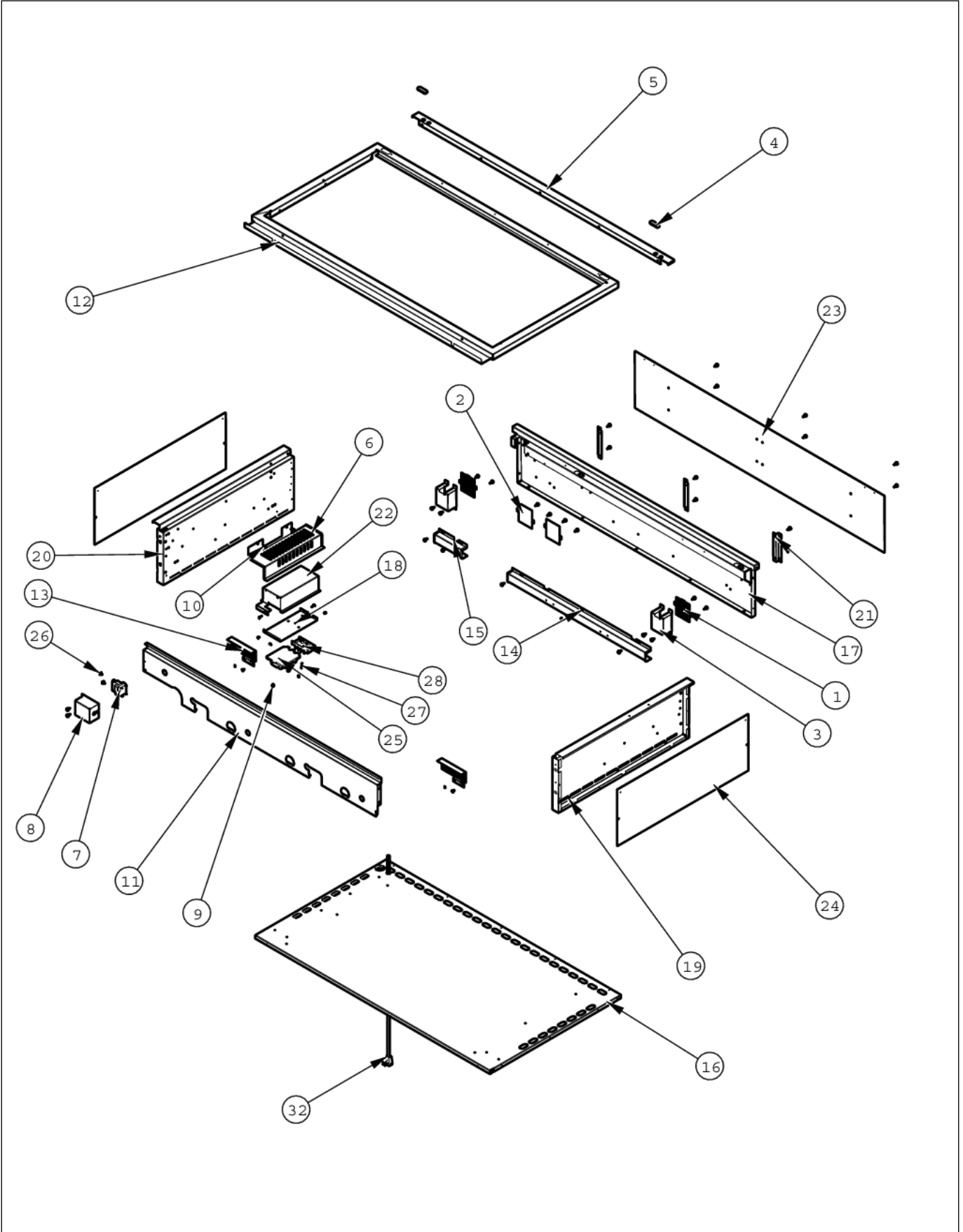


VGIQ55404RE

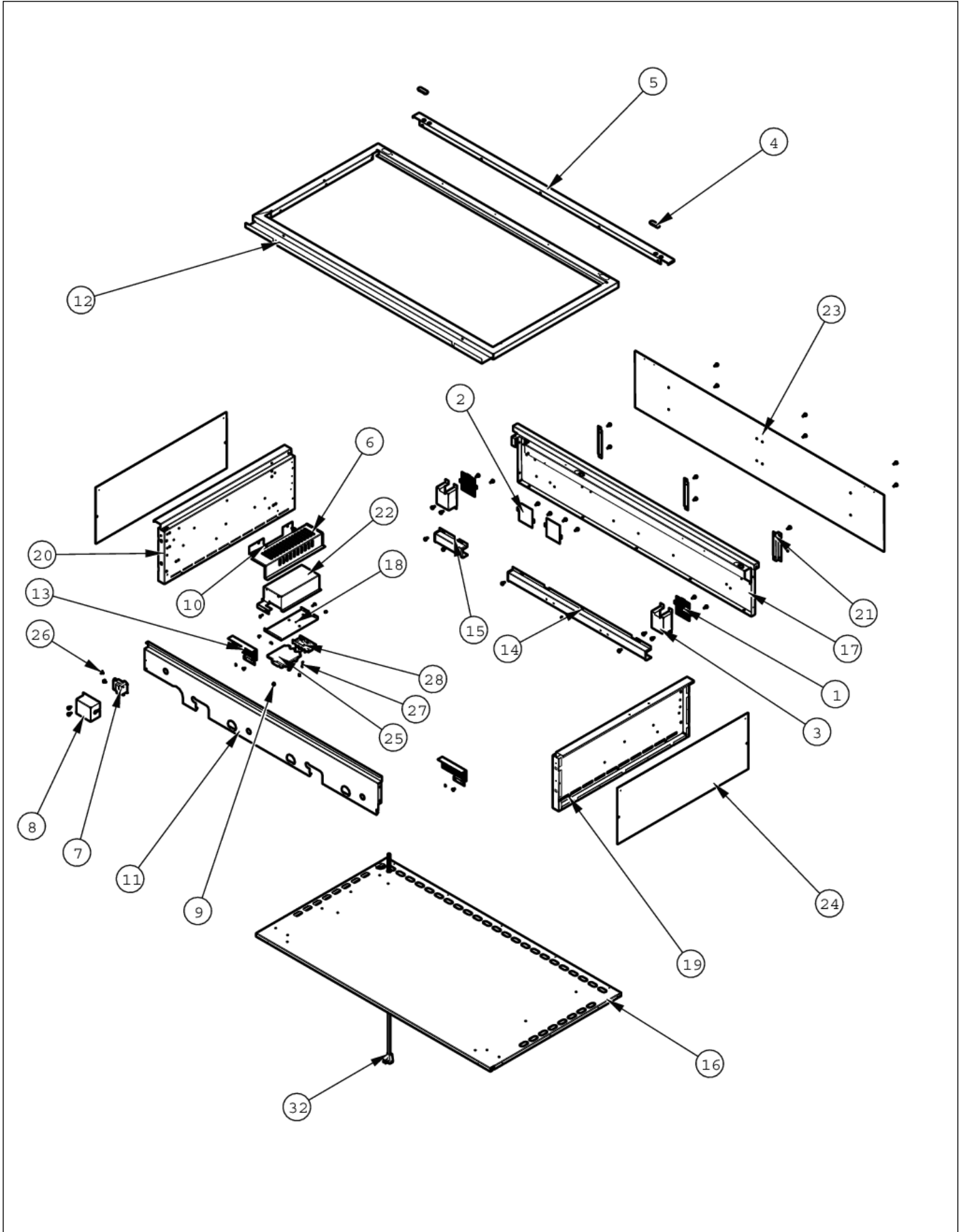
BASE	1
BURNER BOX	2
CANOPY	3
CONTROL PANEL	4
DRIP TRAY	5
MOTOR	6
UPPER BURNERS	7
VGIQ55404RE Wiring	8
LP Gas Asm	9
Natural Gas Asm	10
Appendix A:Pages Index	A
Appendix B:Parts Index	B

BASE





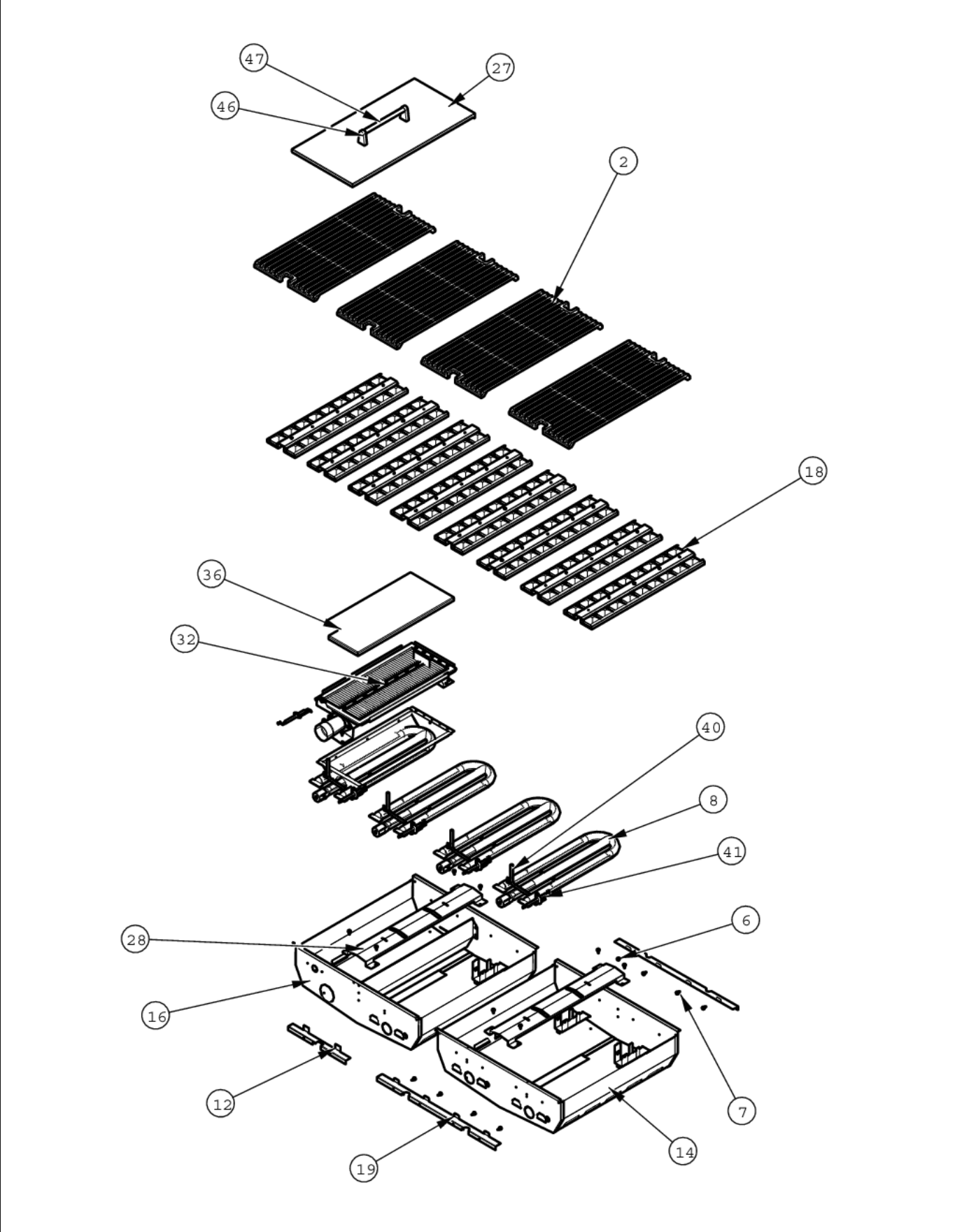
Item	Part No.	Name	Qty	Uom	NOTES
1	002353-000	GRILL PLUG VENT	2	EA	NO LONGER AVAILABLE, Not available online / Call for pricing and availability
2	002354-000	GRILL PLUG PLATE	1	EA	NO LONGER AVAILABLE, Not available online / Call for pricing and availability
3	002355-000	GRILL RECEPTACLE BOX	2	EA	
4	002671-000	RUBBER DOOR BUMPER	2	EA	
5	003858-000	5304 GRILL REAR TRIM	1	EA	
6	004089-000	POWER CORD SHIELD	1	EA	
7	006021-000	SCE, PWR, LED, 12VAC	1	EA	
8	007657-000	PROT. COVER	1	EA	
9	PD020055	' #10 X 1/2" PAN PHIL. TEK.*SS*	7	EA	
10	PD020055	' #10 X 1/2" PAN PHIL. TEK.*SS*	6	EA	
11	025566-000	SUPPORT, GRL, FR, 53"	1	EA	
12	033812-000	FRAME, GRILL, 53"	1	EA	
13	034426-000	PLATE, GUARD	2	EA	
14	A20015410	GRILL WIRE CHANNEL - 53" REAR	1	EA	
15	A20015412	GRILL WIRE CHANNEL - 42" SHORT	1	EA	
16	B20015508	GRILL BOX BOTTOM 53"	1	EA	
17	B20015511	GRILL BOX BACK 53"	1	EA	
18	B20015566	0+6 SM/TB HOUSING BOTTOM	1	EA	NO LONGER AVAILABLE, Not available online / Call for pricing and availability
19	B2005203	Grill Box Side - RH	1	EA	
20	B2005204	Grill Box Side - LH	1	EA	
21	B2006305	HEAT SHIELD BRACKET	3	EA	
22	B30015553	0+6 SPARK MODULE TERMINAL HOUSING	1	EA	
23	L1004882	REAR HEAT SHIELD - 53""	1	EA	
24	L1005398	Side Heat Shield	2	EA	





Item	Part No.	Name	Qty	Uom	NOTES
25	PA020048	Spark Module (6B /6G/ 4Q)	1	EA	
26	PD020073	SRW #10 X 24 X 3/8 WAFER HD TYPE23	2	EA	
27	PD020166	#10 X 3/4" PAN PHIL. TEK. *SS*	1	EA	NO LONGER AVAILABLE
28	PE070855	E SERIES TERMINAL BLOCK	1	EA	
32	PE070791	GRILL POWER SUPPLY CORD (8 FT)	1	EA	
NI	033590-000	HARN, LED, GRILL, 554	1	EA	

BURNER BOX





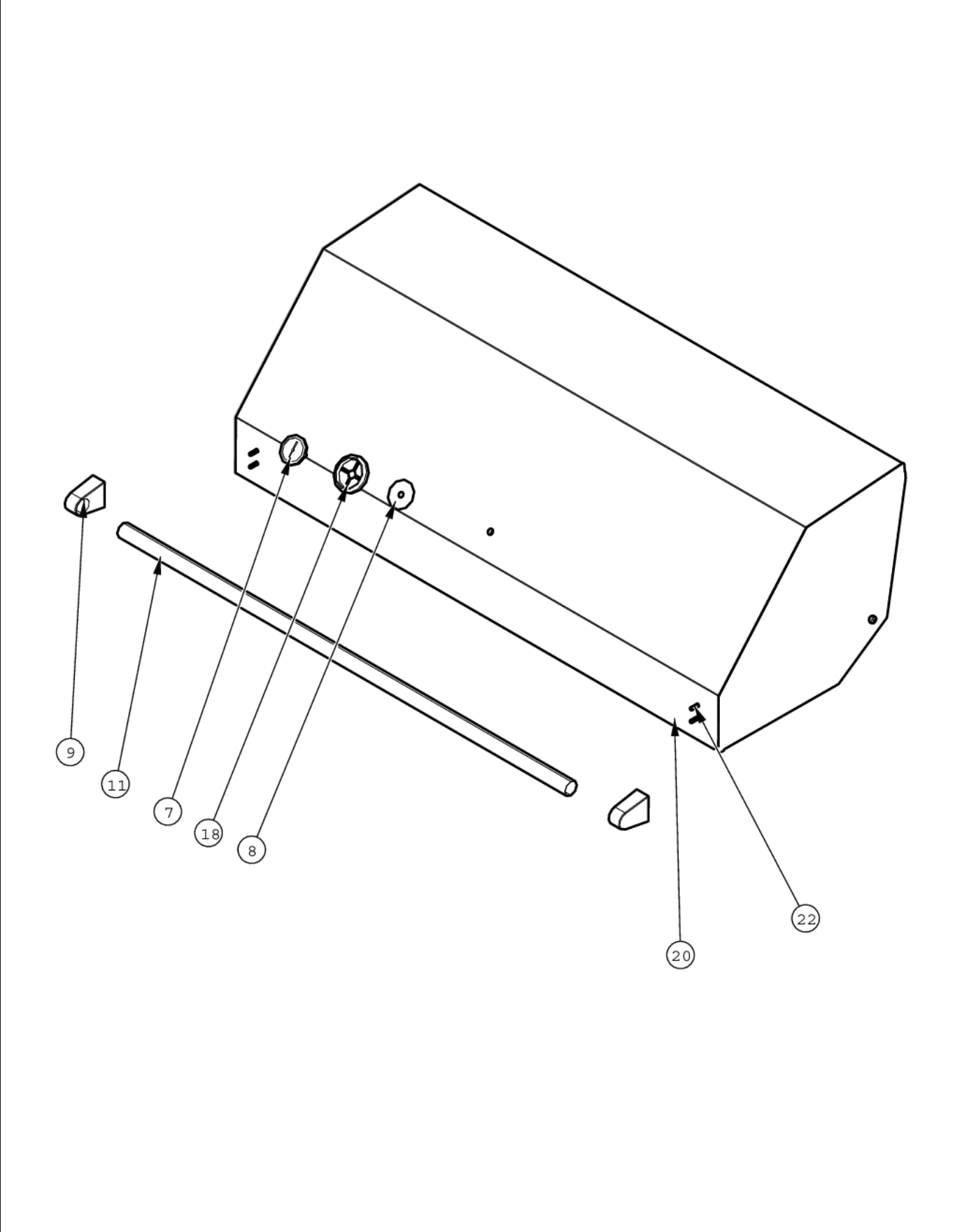
Item	Part No.	Name	Qty	Uom	NOTES
2	002369-000	REDESIGN BBQ GRATE - FULL	4	EA	
6	PD020055	' #10 X 1/2" PAN PHIL. TEK.*SS*	19	EA	
7	008026-000	SCREW, TEK, #6-20 x 3/8, S.S.	8	EA	
8	023000-000	BURNER, GRL, ASM, U	4	EA	
12	034740-000	SUPPORT, TRAY, BRIQUETTE 30" IQ	2	EA	
14	032132-000	BOX, BNR, ASM, 30"	1	EA	
16	032140-000	BOX, BNR, ASM, 30", IQ	1	EA	
18	032381-000	TRAY, CRMC, BRIQUETTE, ASM	6	EA	
19	034601-000	BRACKET, SPACER, BRIQUETTE	2	EA	
27	B20015415	VGIB151/VGIQ COVER	1	EA	
28	B2005246	BURNER BOX SHIELD (PHASE 2)	2	EA	
32	G3208933	IR BURNER ASSY	1	EA	
36	B2008943	GREASE SCREEN	1	EA	
40	PB020114	FLASH TUBE (VGBQ3002T)	4	EA	
41	PB040288	SMOKER BURNER IGNITER	4	EA	
46	PE030187	HANDLE END CAP *CHROME* OUTDOOR CABINET	2	EA	
47	PE030197	VGIQ30 COVER HANDLE	1	EA	
NI	004706-000	MACHINE SCREW, 6-32 x 3/8, PAN HD, PHILLIPS	4	EA	
NI	PD020056	' #10-24 X 1/2" PH.TR. M.S. *SS*	4	EA	

Comments for Page: BURNER BOX

jhobbs@kimballinc.com on Jun 22, 2016

This part #G3005289 is a Rotis Burner. The look up is wrong on this model

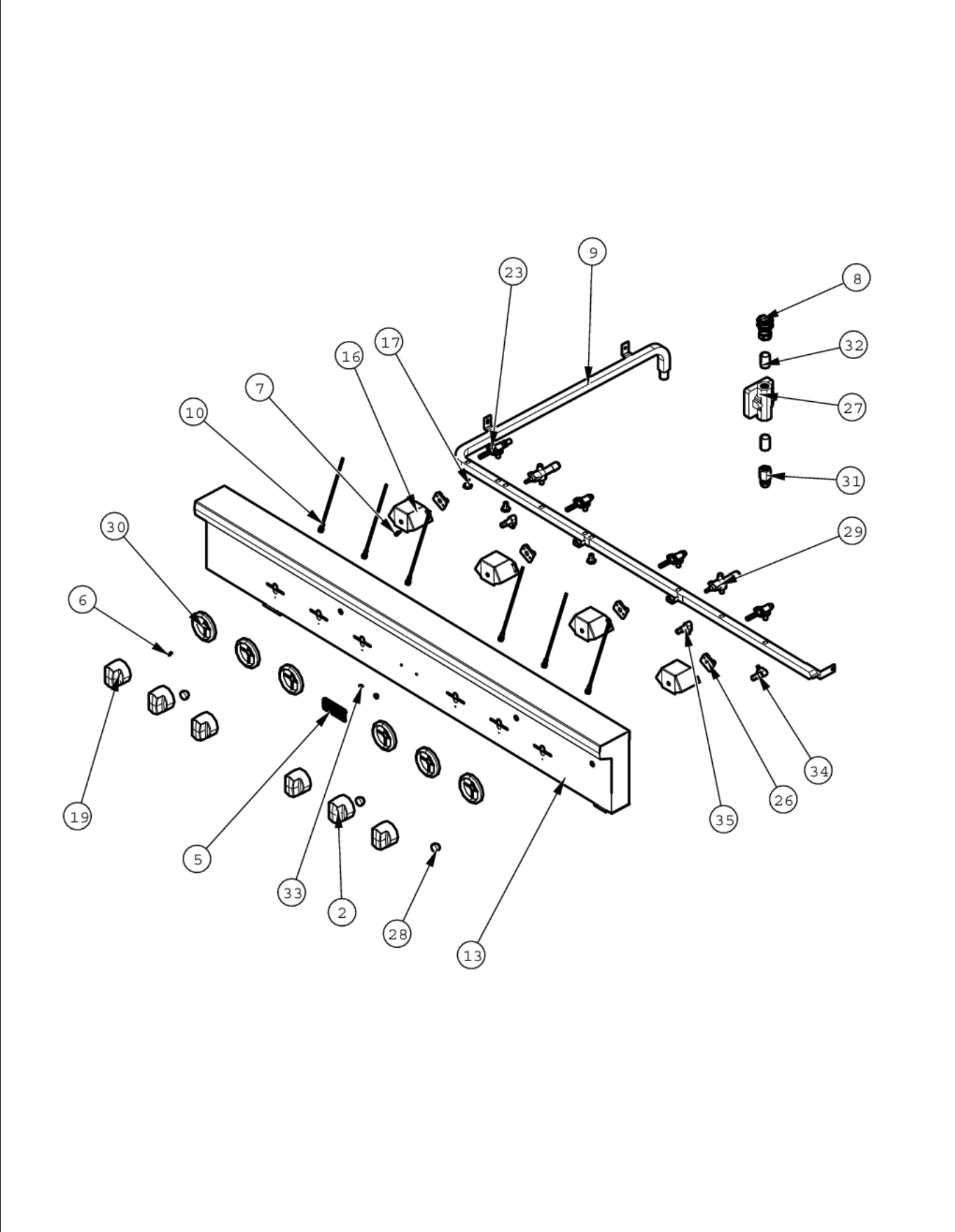
CANOPY





Item	Part No.	Name	Qty	Uom	NOTES
7	042720-000	GAUGE, BMTL, TEMPERATURE	1	EA	
8	026724-000	SPACER, WSHR	1	EA	
9	026965-000	END CAP, ASM, DOOR HANDLE	2	EA	
11	032437-000	HANDLE, CANOPY, BQ554	1	EA	
18	050172-000	BEZEL, KNOB	1	EA	
20	032833-000	HOOD, OUTER WELDED ASM, BQ554	1	EA	
22	014221-000	1/4-20 X .625 HEX 316 SS	4	EA	
NI	036547-000	GROMMET, RECTANGLE RUBBER	2	EA	
Not Shown	NOTE	(USED ON CANOPY)		EA	
NI	034607-000	FASTENER, BOLT, 5/16 - 1-1/2"	2	EA	

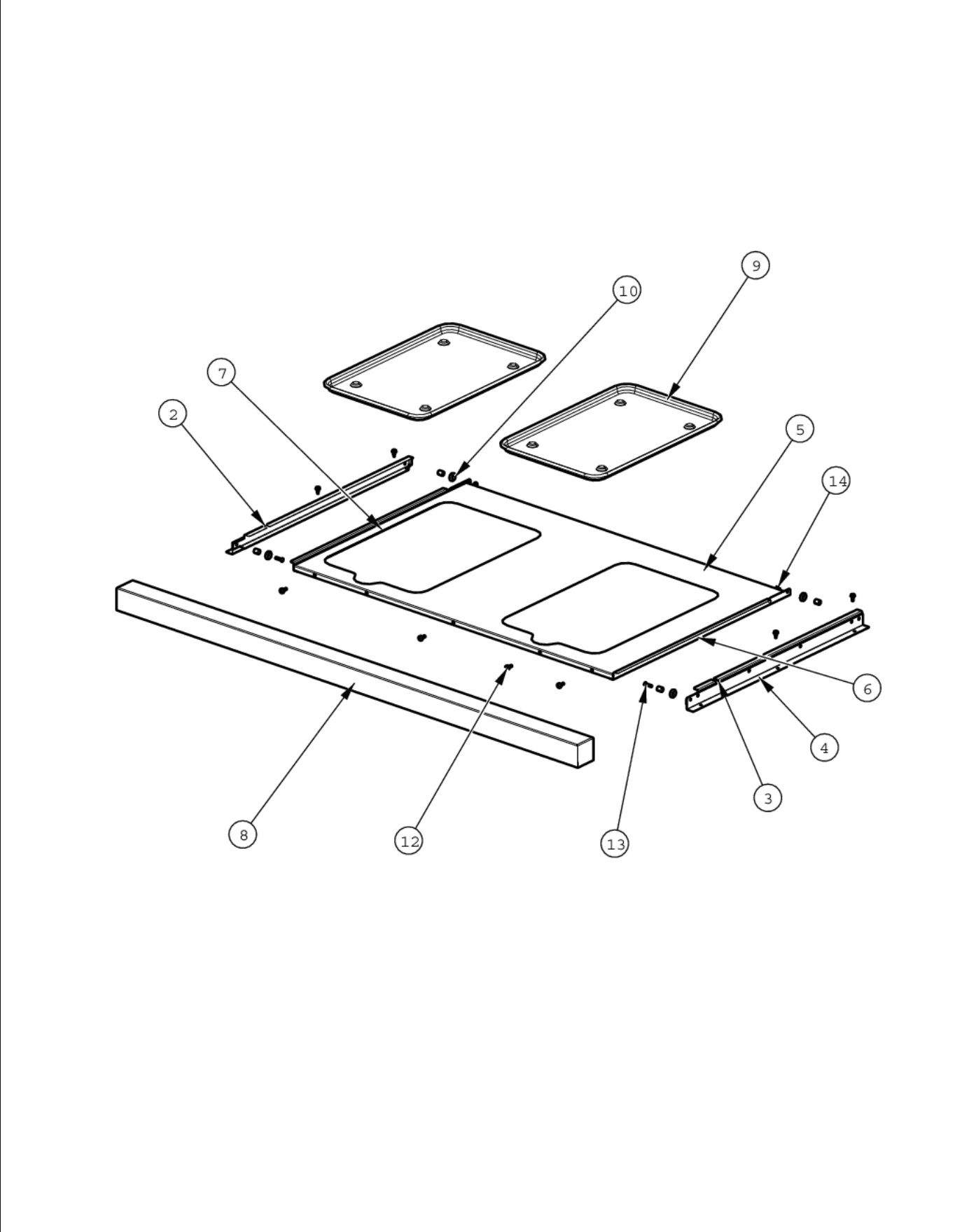
CONTROL PANEL





Item	Part No.	Name	Qty	Uom	NOTES
2	014618-000	GRILL ROTISSERIE KNOB - SS	2	EA	
5	015009-000	OUTDOOR LOGO - 3" CHROME	1	EA	
6	020041-000	SCR, DR, PH, PNH, 410 SS, NPLT, 6-20 x 3/8	4	EA	
8	PB040146	1/2" X 3/8" FLARE ADAPTER (VGBQ)	1	EA	
9	025723-000	MANIFOLD, GRL, 53"	1	EA	
10	031337-000	LED, SHORT, ASM	6	EA	
13	033258-2383	PANEL, CNTRL WELD ASM VGIQ55404 W/GRAPHICS	1	EA	
16	033701-000	COVER, VALVE	4	EA	
17	002884-000	MANIFOLD PLUG	3	EA	
19	014616-000	GRILL KNOB - SS	4	EA	
23	006388-000	GAS VALVE - NAT.	3	EA	
23	006389-000	GAS VALVE - LP	4	EA	
26	PA020045	Spark Ignition Switch	4	EA	
27	PA070006	PRESSURE REG.(NAT.)-4"-FOR BBQ GRIL - NLA	1	EA	
27	PA070005	PRESSURE REG.(LP) RV47L- 77-10.0	1	EA	
28	PB010163	OVEN LIGHT SWITCH KNOB *BK* (VESO/D	3	EA	
29	046329-000	LP ROTIS VALVE - KNOB KIT	2	EA	
29	046328-000	NATURAL ROTIS VALVE - KNOB KIT	2	EA	
30	050172-000	BEZEL, KNOB	6	EA	
31	PB040235	1/2"NPT TO 3/8" FLARE COUPLING	1	EA	
32	PB040046	1/2" CLOSE NIPPLE	2	EA	
33	PD030006	CAPPED WASHER PAL NUT	2	EA	
34	PE050019	OVEN LIGHT SWITCH (VGSO166) 90-DEG.	1	EA	
35	PE050063	SPARKER SWITCH (PHASE 2)	2	EA	
NI	PD010012	1/4 x 3/8 VALVE BOLT	6	EA	
NI	014617-000	GRILL TRU-SEAR KNOB - SS	1	EA	

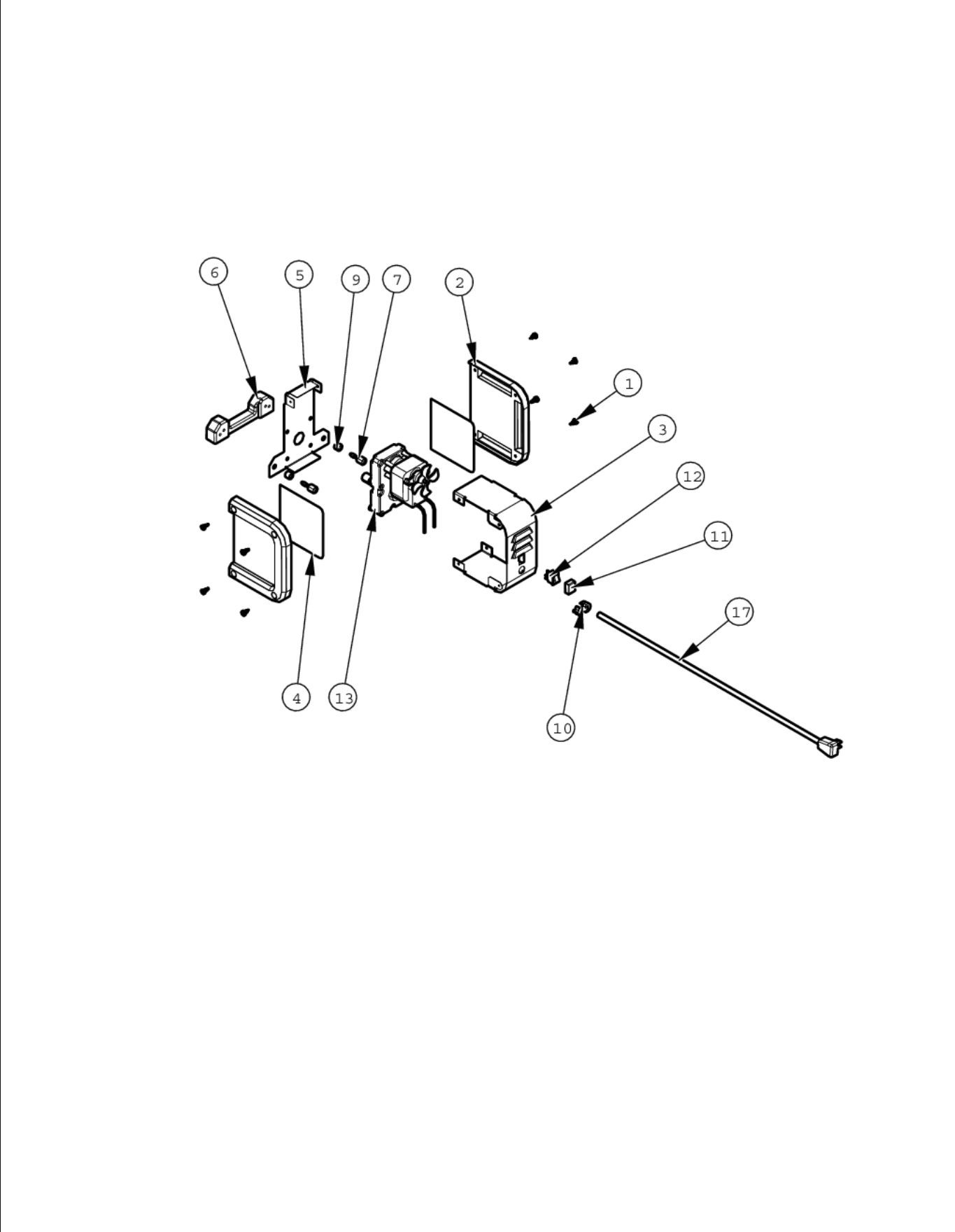
DRIP TRAY





Item	Part No.	Name	Qty	Uom	NOTES
1	PD020055	' #10 X 1/2" PAN PHIL. TEK.*SS*	6	EA	
2	B20013593	DRIP TRAY SLIDE - LH	1	EA	
3	B20013594	DRIP TRAY SLIDE - RH	1	EA	
4	B2005213	DRIP TRAY GUIDE BRACKET (PHASE 2)	2	EA	
5	B2005309	DRIP TRAY 41	1	EA	
6	B2005316	DRIP TRAY RUNNER RH	1	EA	
7	B2005317	DRIP TRAY RUNNER LH (PHASE 2)	1	EA	
8	032344-000	HANDLE, DRIP TRAY, 554	1	EA	
9	J2101749	GREASE PAN	2	EA	
10	PC020025	DRIP TRAY WHEEL	4	EA	
12	PD020056	' #10-24 X 1/2" PH.TR. M.S. *SS*	5	EA	
14	PD030044	10-24 KEPS NUT *SS*	4	EA	
NI	PD040004	GROMMET BUMPER	2	EA	

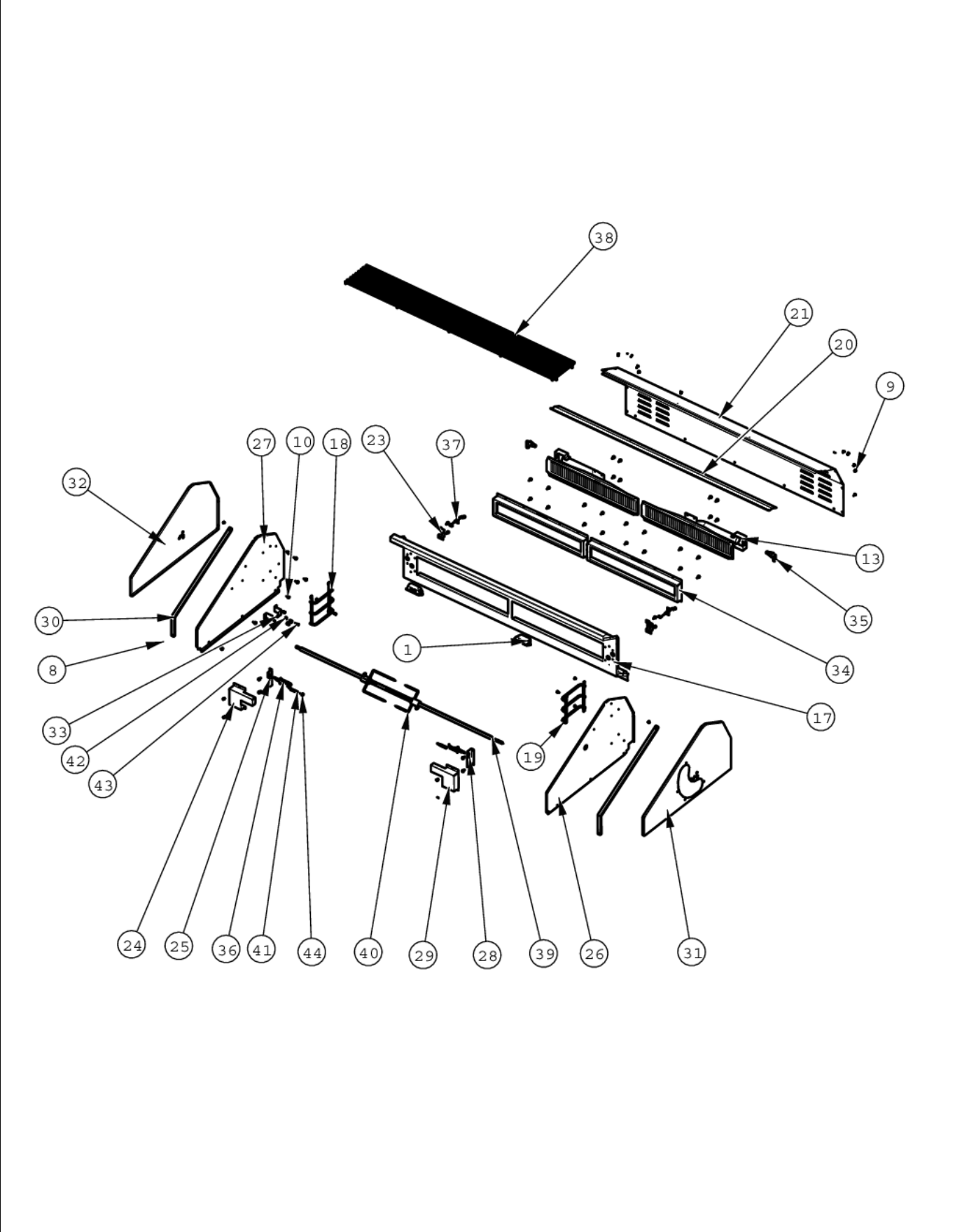
MOTOR





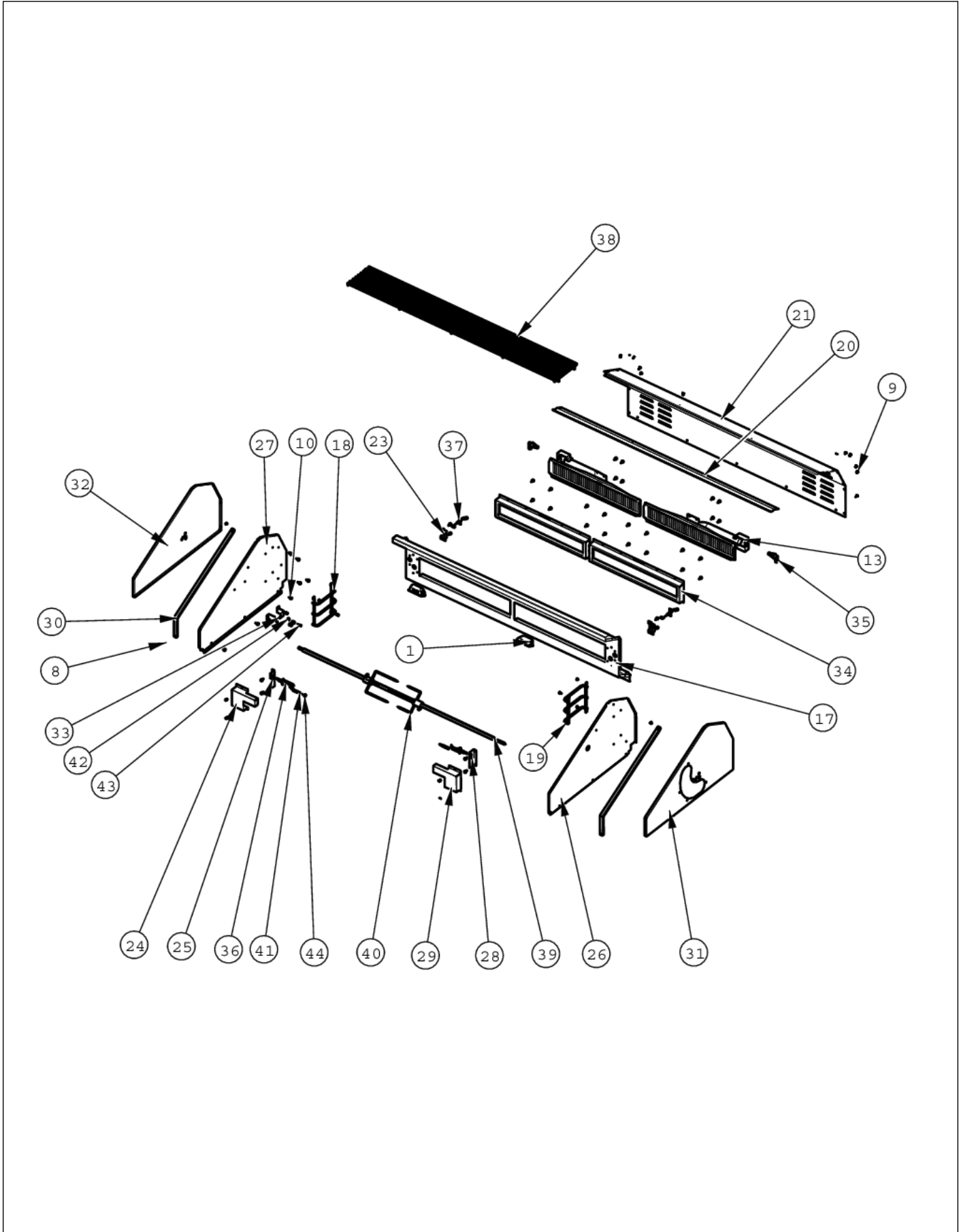
Item	Part No.	Name	Qty	Uom	NOTES
1	PD020055	' #10 X 1/2" PAN PHIL. TEK.*SS*	7	EA	
2	026550-000	ENDCAP, SPRT COVER	2	EA	
3	026554-000	BRACKET, ROTIS MAIN BODY	1	EA	
4	032600-000	PLATE, COVER, ENDCAP	2	EA	
5	032650-000	BRACKET, PNL, BACK, SUPPORT	1	EA	
6	PB060055	Rotis. Mount Casting	1	EA	
7	PD010090	ROTIS FASTENER KNOB	2	EA	
9	PD030064	CAPTURE NUT 1/4" #20	2	EA	
10	PD040044	SNAP THRU BUSHING 1/4"DIA CORD	1	EA	
11	PE050046	ROTIS SWITCH BOOT	1	EA	NO LONGER AVAILABLE
Not Shown	NOTE	(MUST ORDER ITEM 12)		EA	
12	PE050051	ROTIS SWITCH	1	EA	
13	PE070184	ROTISSERIE MOTOR	1	EA	
17	PE070189	ELECTRICAL SUPPLY CORD - BBQ GRILL	1	EA	
NI	026553-000	MOTOR, ROTIS, ASM	1	EA	

UPPER BURNERS





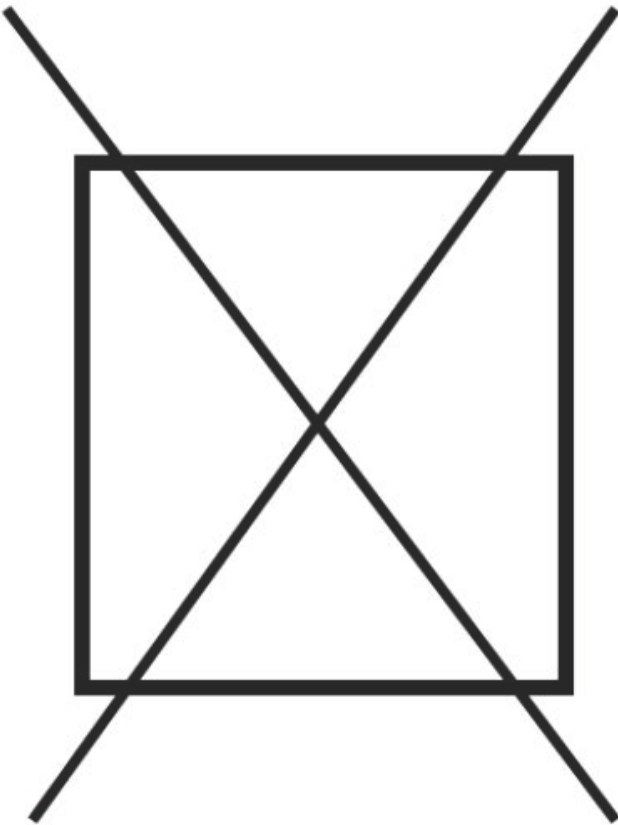
Item	Part No.	Name	Qty	Uom	NOTES
1	034082-000	120V HALOGEN LIGHT ASM	2	EA	
8	020037-000	SCR, DR, FCSKHP, 410 SS, NPLT, 8-18 x 3/4	4	EA	
9	PD020055	' #10 X 1/2" PAN PHIL. TEK.*SS*	36	EA	
13	G3005289	I/R Burner Assy	2	EA	
17	032367-000	WALL, GRILL, INNER, REAR 554	1	EA	
18	PB060113	WARMING RACK SUPPORT LH	1	EA	
19	PB060112	WARMING RACK SUPPORT RH	1	EA	
20	034078-000	SHIELD, TOP, GRILL, 54"	1	EA	
21	034133-000	COVER, REAR, GRILL, 54"	1	EA	
23	B20015401	FLEX IGNITER STAND OFF	2	EA	Not available online / Call for pricing and availability
24	B20015402	I/R IGNITOR COVER LH	1	EA	
25	B20015403	IR IGNITOR BRACKET	1	EA	
26	B20015418	INSIDE WINDSHIELD RH	1	EA	Not available online / Call for pricing and availability
27	B20015419	INSIDE WINDSHIELD LH	1	EA	Not available online / Call for pricing and availability
28	B20015518	IR IGNITOR BRACKET 53"	1	EA	
29	B20015521	53" RH ROTISSERIE IGNITOR COVER	1	EA	
30	B20015574	GRILL WINDSHIELD TRIM	2	EA	
31	B20015575	OUTSIDE WINDSHIELD - RH	1	EA	
32	B20015576	OUTSIDE WINDSHIELD-LH	1	EA	
33	B2005278	ROTISSERIE ROLLER BRACKET (PHASE 2)	1	EA	
34	B2005347	I/R Frame	2	EA	
35	PB040124	90 DEG. ORIFICE FITTING	2	EA	
36	PB040160	WOK IGNITER	2	EA	
37	PB040280	FLEXIBLE ROTISSERIE IGNITOR	2	EA	
38	032871-000	SHELF, BQ42", 304, SST	1	EA	





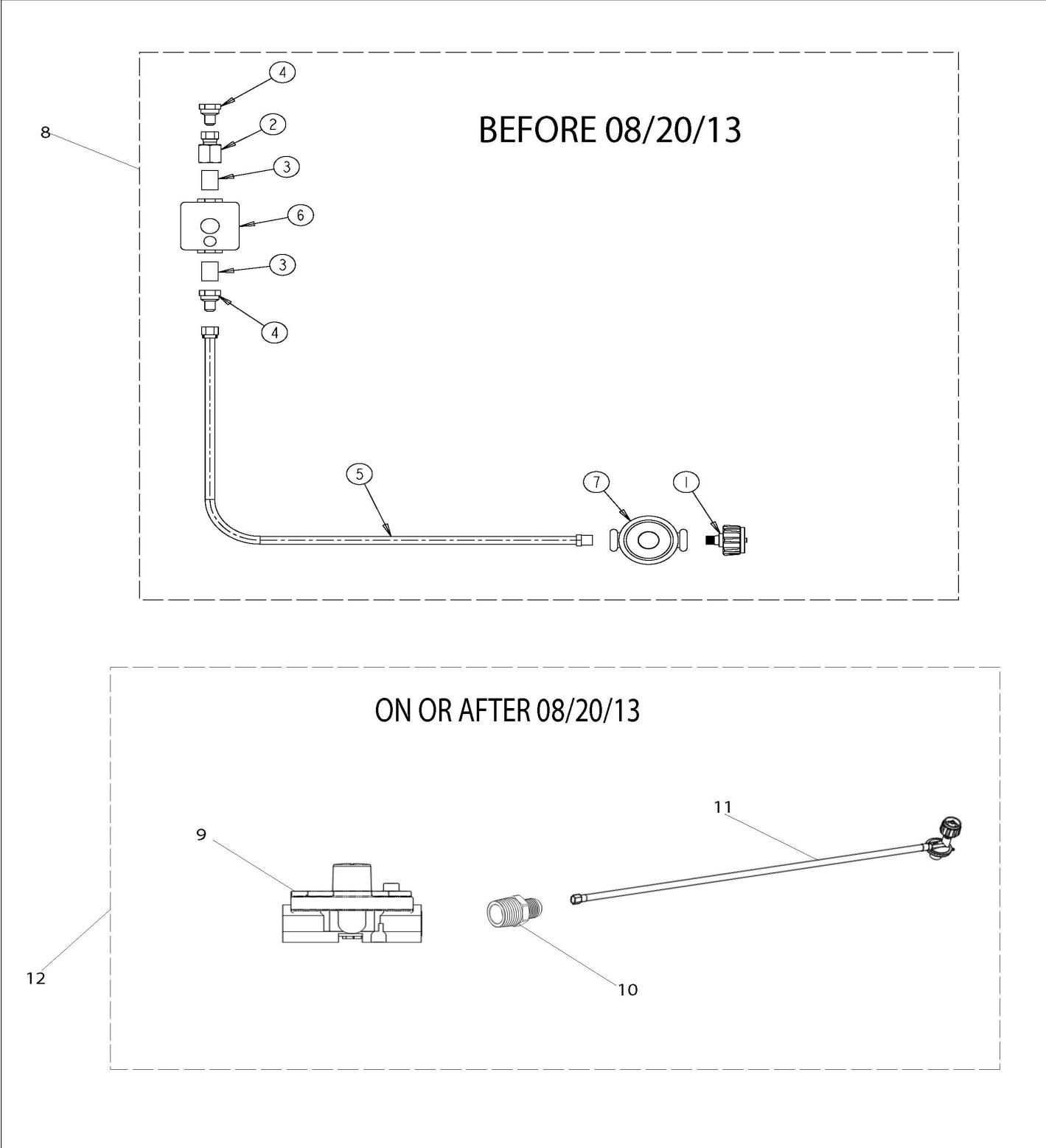
Item	Part No.	Name	Qty	Uom	NOTES
39	PB060052	ROTIS SPIT ROD 53"	1	EA	
40	032881-000	FORK, RTSR	4	EA	
41	042576-000	THERMOCOUPLE	2	EA	
42	PC020025	DRIP TRAY WHEEL	2	EA	
43	PD020082	10 X 24 COUNTERSUNK S.S. SCREW	2	EA	
44	PD030048	THERMCOUPLE NUT M08- VGBQ-8743300007	2	EA	

NON
ILLUSTRATED PART





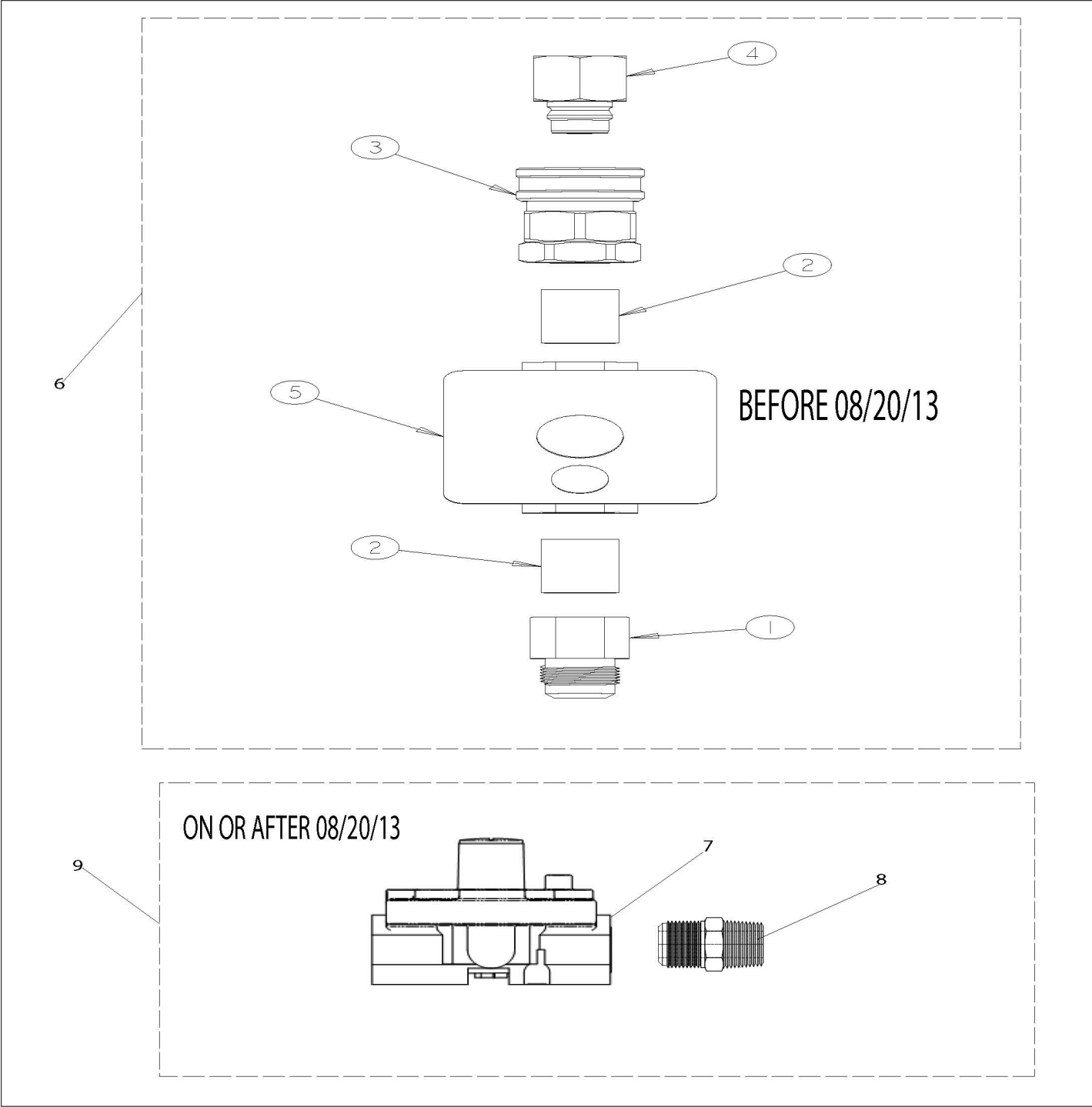
Item	Part No.	Name	Qty	Uom	NOTES
NI	026340-000	HARNESS, MAIN, 5304RE2	1	EA	
NI	033590-000	HARN, LED, GRILL, 554	1	EA	
NI	G4006379	WIRE ASSY (VGBQ-T SERIES) 25"	2	EA	
NI	G40016229	IGNITOR WIRE 34"	1	EA	
NI	G40016230	IGNITOR WIRE 40"	1	EA	
NI	025323-000	HARNESS, WIRE, ROTISSERIE	1	EA	
NI	035335-000	HARNESS, ROTISSERIE 54" GRILL	1	EA	
NI	G40016225	IGNITOR WIRE 54"	1	EA	
NI	006385-000	53" WIRE ASSEMBLY	1	EA	





Item	Part No.	Name	Qty	Uom	NOTES
1	PA010138	CYLINDER CONNECTION	1	EA	
2	PB040235	1/2"NPT TO 3/8" FLARE COUPLING	1	EA	
3	PB040046	1/2" CLOSE NIPPLE	1	EA	
4	PB040146	1/2" X 3/8" FLARE ADAPTER (VGBQ)	1	EA	
5	PB020227	HIGH PRESSURE LP HOSE	1	EA	
6	PA070005	PRESSURE REG.(LP) RV47L- 77-10.0	1	EA	
7	PA070007	LP TANK REGULATOR (VGBQ)	1	EA	
8	G3004937	REGULATOR ASSY - L.P. W/HOSE	1	EA	
9	PA070005	PRESSURE REG.(LP) RV47L- 77-10.0	1	EA	
10	041140-000	ADPT, STR, MALE, CMPN, FLRE, BRS, 45 DEG	1	EA	
11	043204-000	REGUALTOR, LP, HIGH PRESSURE, ASM	1	EA	
12	043214-000	REGULATOR, HOSE, LP ASSY	1	EA	

Natural Gas Asm





Item	Part No.	Name	Qty	Uom	NOTES
1	PB020239	7/8 FLARE TO 1/2 FEMALE CONNECTOR	1	EA	
2	PB040046	1/2" CLOSE NIPPLE	2	EA	
3	023653-000	Nipple-Coupler Assy	1	EA	
4	023653-000	Nipple-Coupler Assy	1	EA	
5	PA070006	PRESSURE REG.(NAT.)-4"-FOR BBQ GRIL - NLA	1	EA	
6	G3004936	REGULATOR ASSY - NAT (P1 GRILL)	1	EA	
7	PA070006	PRESSURE REG.(NAT.)-4"-FOR BBQ GRIL - NLA	1	EA	
8	043747-000	FITTING, FLARE, BRASS	1	EA	Not available online / Call for pricing and availability
9	043217-000	REGUALATOR, NAT ASSY	1	EA	



Appendix A:Pages Index

BASE 1
BURNER BOX 2
CANOPY 3
CONTROL PANEL 4
DRIP TRAY 5
LP Gas Asm 9
MOTOR 6
Natural Gas Asm 10
UPPER BURNERS 7
VGIQ55404RE Wiring 8



Appendix B:Parts Index

002353-000	1	032600-000	6
002354-000	1	032650-000	6
002355-000	1	032833-000	3
002369-000	2	032871-000	7
002671-000	1	032881-000	7
002884-000	4	033258-2383	4
003858-000	1	033590-000	1, 8
004089-000	1	033701-000	4
004706-000	2	033812-000	1
006021-000	1	034078-000	7
006385-000	8	034082-000	7
006388-000	4	034133-000	7
006389-000	4	034426-000	1
007657-000	1	034601-000	2
008026-000	2	034607-000	3
014221-000	3	034740-000	2
014616-000	4	035335-000	8
014617-000	4	036547-000	3
014618-000	4	041140-000	9
015009-000	4	042576-000	7
020037-000	7	042720-000	3
020041-000	4	043204-000	9
023000-000	2	043214-000	9
023653-000	10, 10	043217-000	10
025323-000	8	043747-000	10
025566-000	1	046328-000	4
025723-000	4	046329-000	4
026340-000	8	050172-000	3, 4
026550-000	6	A20015410	1
026553-000	6	A20015412	1
026554-000	6	B20013593	5
026724-000	3	B20013594	5
026965-000	3	B20015401	7
031337-000	4	B20015402	7
032132-000	2	B20015403	7
032140-000	2	B20015415	2
032344-000	5	B20015418	7
032367-000	7	B20015419	7
032381-000	2	B20015508	1
032437-000	3	B20015511	1
		B20015518	7



B20015521	7	PB040160	7
B20015566	1	PB040235	4, 9
B20015574	7	PB040280	7
B20015575	7	PB040288	2
B20015576	7	PB060052	7
B2005203	1	PB060055	6
B2005204	1	PB060112	7
B2005213	5	PB060113	7
B2005246	2	PC020025	5, 7
B2005278	7	PD010012	4
B2005309	5	PD010090	6
B2005316	5	PD020055	1, 1, 2, 5, 6, 7
B2005317	5	PD020056	2, 5
B2005347	7	PD020073	1
B2006305	1	PD020082	7
B2008943	2	PD020166	1
B30015553	1	PD030006	4
G3004936	10	PD030044	5
G3004937	9	PD030048	7
G3005289	7	PD030064	6
G3208933	2	PD040004	5
G40016225	8	PD040044	6
G40016229	8	PE030187	2
G40016230	8	PE030197	2
G4006379	8	PE050019	4
J2101749	5	PE050046	6
L1004882	1	PE050051	6
L1005398	1	PE050063	4
PA010138	9	PE070184	6
PA020045	4	PE070189	6
PA020048	1	PE070791	1
PA070005	4, 9, 9	PE070855	1
PA070006	4, 10, 10		
PA070007	9		
PB010163	4		
PB020114	2		
PB020227	9		
PB020239	10		
PB040046	4, 9, 10		
PB040124	7		
PB040146	4, 9		