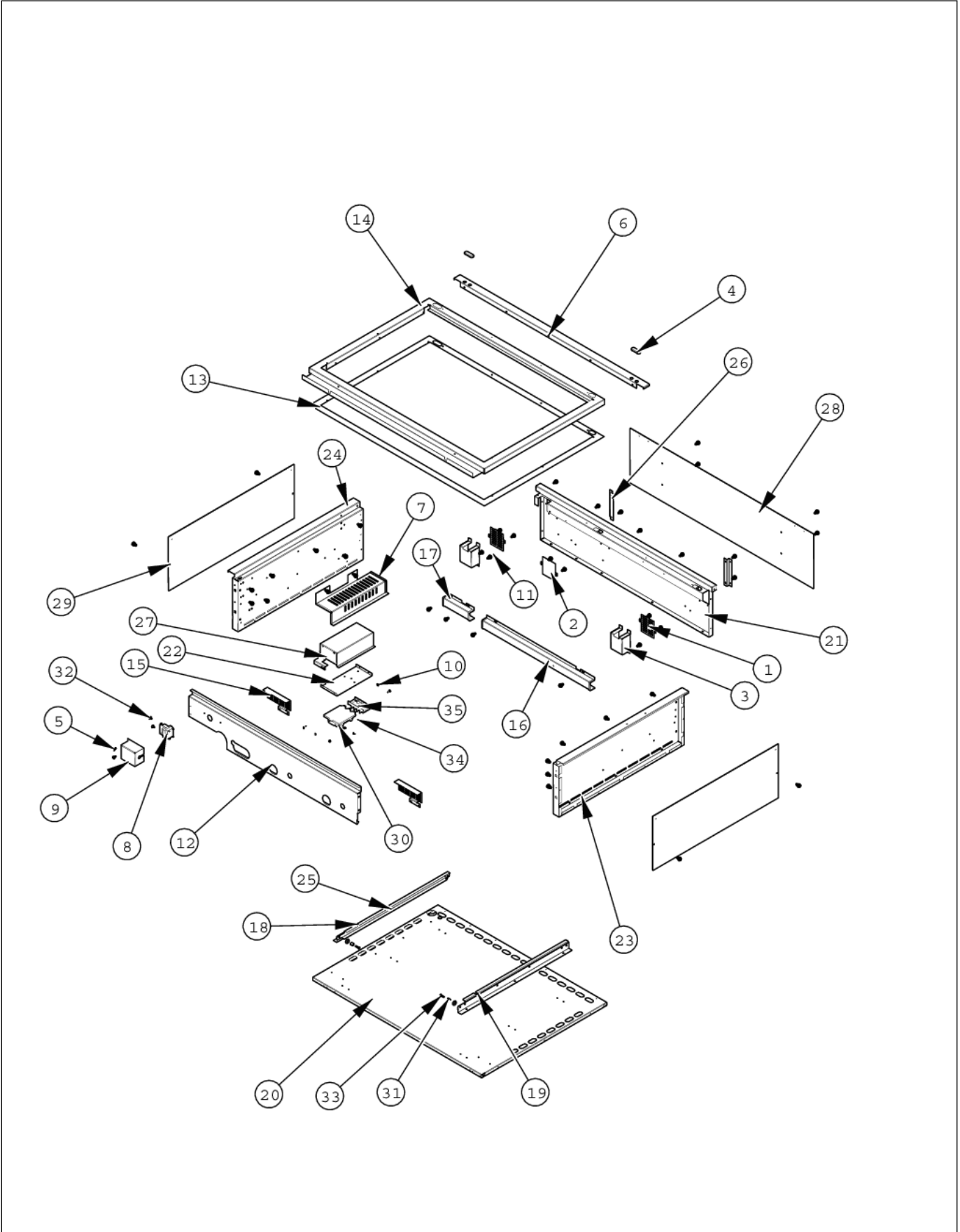


VGIQ54203RE

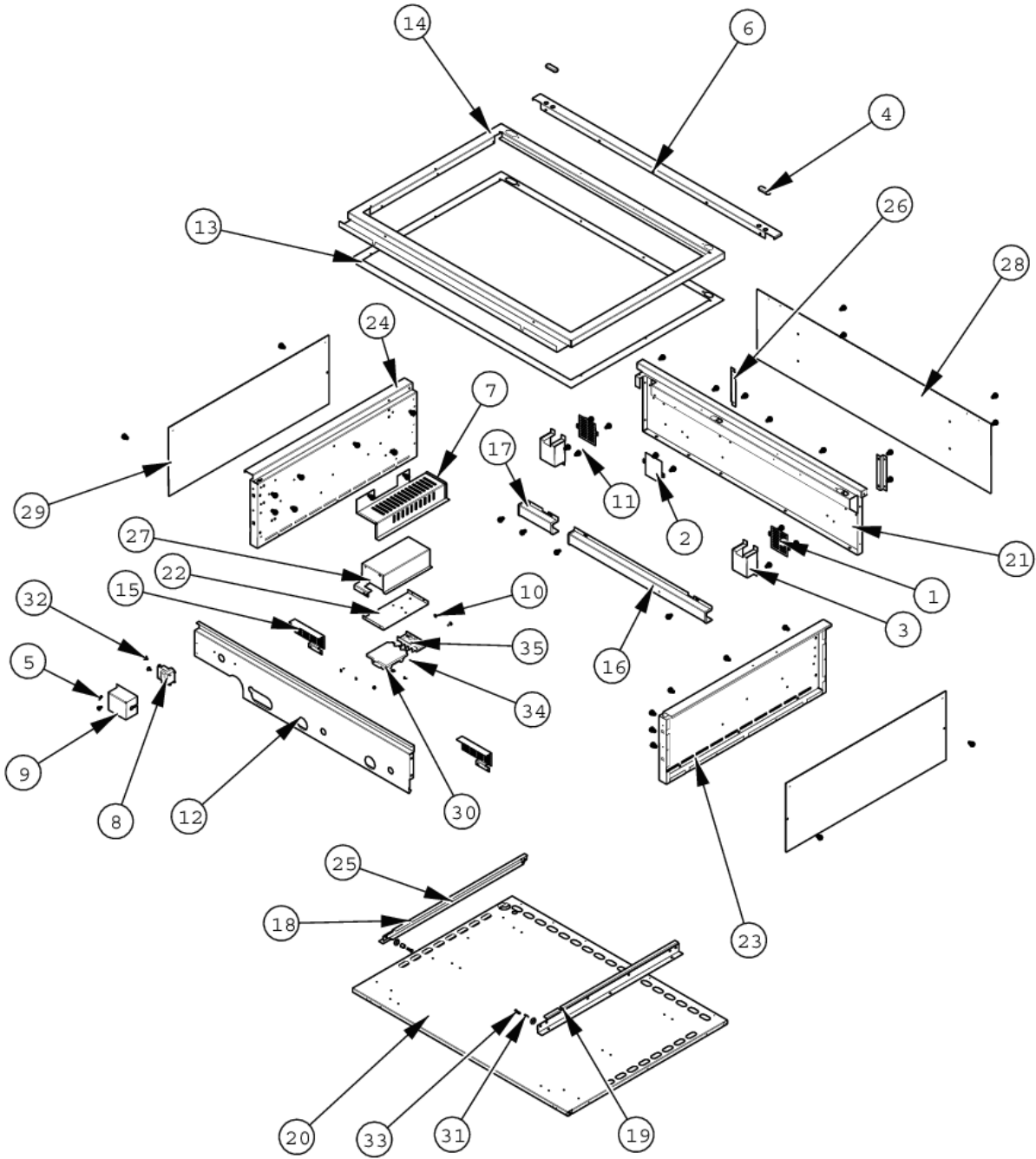
BASE	1
BURNER BOX	2
CANOPY	3
CONTROL PANEL	4
DRIP TRAY	5
MOTOR	6
UPPER GRILL	7
WIRING	8
Natural Gas Asm	9
LP Gas Asm	10
Appendix A:Pages Index	A
Appendix B:Parts Index	B

BASE





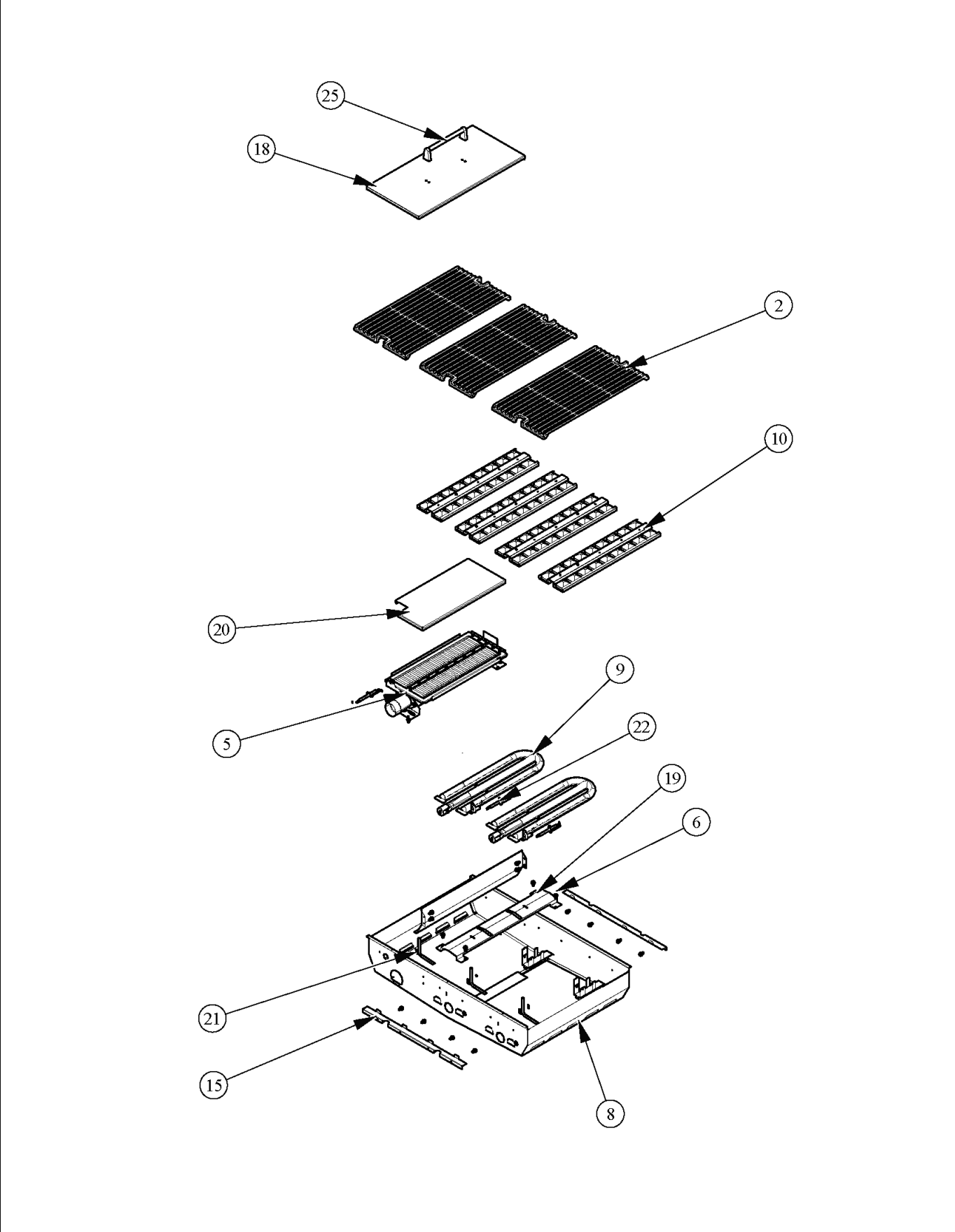
Item	Part No.	Name	Qty	Uom	NOTES
1	002353-000	GRILL PLUG VENT	2	EA	NO LONGER AVAILABLE, Not available online / Call for pricing and availability
2	002354-000	GRILL PLUG PLATE	1	EA	NO LONGER AVAILABLE, Not available online / Call for pricing and availability
3	002355-000	GRILL RECEPTACLE BOX	2	EA	
4	002671-000	RUBBER DOOR BUMPER	2	EA	
5	003801-000	SHOULDER SCREW, #10	2	EA	
6	003857-000	4103 GRILL REAR TRIM	1	EA	
7	004089-000	POWER CORD SHIELD	1	EA	
8	006021-000	SCE, PWR, LED, 12VAC	1	EA	
9	007657-000	PROT. COVER	1	EA	
10	PD020055	' #10 X 1/2" PAN PHIL. TEK.*SS*	4	EA	
11	PD020055	' #10 X 1/2" PAN PHIL. TEK.*SS*	10	EA	
12	025752-000	SUPPORT, GRL, FR, 41"	1	EA	
13	032513-000	WALL, GRILL, INNER, REAR 542	1	EA	
14	033811-000	GRILL FRAME 41"	1	EA	
15	034426-000	PLATE, GUARD	2	EA	
16	A20015411	GRILL WIRE CHANNEL - 41" REAR	1	EA	
17	A20015412	GRILL WIRE CHANNEL - 42" SHORT	1	EA	
18	B20013593	DRIP TRAY SLIDE - LH	1	EA	
19	B20013594	DRIP TRAY SLIDE - RH	1	EA	
20	B20015509	GRILL BOX BOTTOM 41"	1	EA	
21	B20015512	GRILL BOX BACK 41"	1	EA	
22	B20015568	0+4 SM/TB HOUSING BTM	1	EA	
23	B2005203	Grill Box Side - RH	1	EA	
24	B2005204	Grill Box Side - LH	1	EA	
25	B2005213	DRIP TRAY GUIDE BRACKET (PHASE 2)	1	EA	
26	B2006305	HEAT SHIELD BRACKET	2	EA	





Item	Part No.	Name	Qty	Uom	NOTES
27	B30015552	0+4 SPARK MODULE TERMINAL HOUSING	1	EA	
28	L1004881	Rear Heat Shield	1	EA	
29	L1005398	Side Heat Shield	2	EA	
30	PA020047	INVENSYS 0+4 RE-IGNITION SPARK MODULE	1	EA	
31	PC020025	DRIP TRAY WHEEL	4	EA	
32	PD020073	SRW #10 X 24 X 3/8 WAFER HD TYPE23	2	EA	
33	PD020082	10 X 24 COUNTERSUNK S.S. SCREW	2	EA	
34	PD020166	#10 X 3/4" PAN PHIL. TEK. *SS*	2	EA	NO LONGER AVAILABLE
35	PE070147	TERMINAL BLOCK (VDSC)	1	EA	

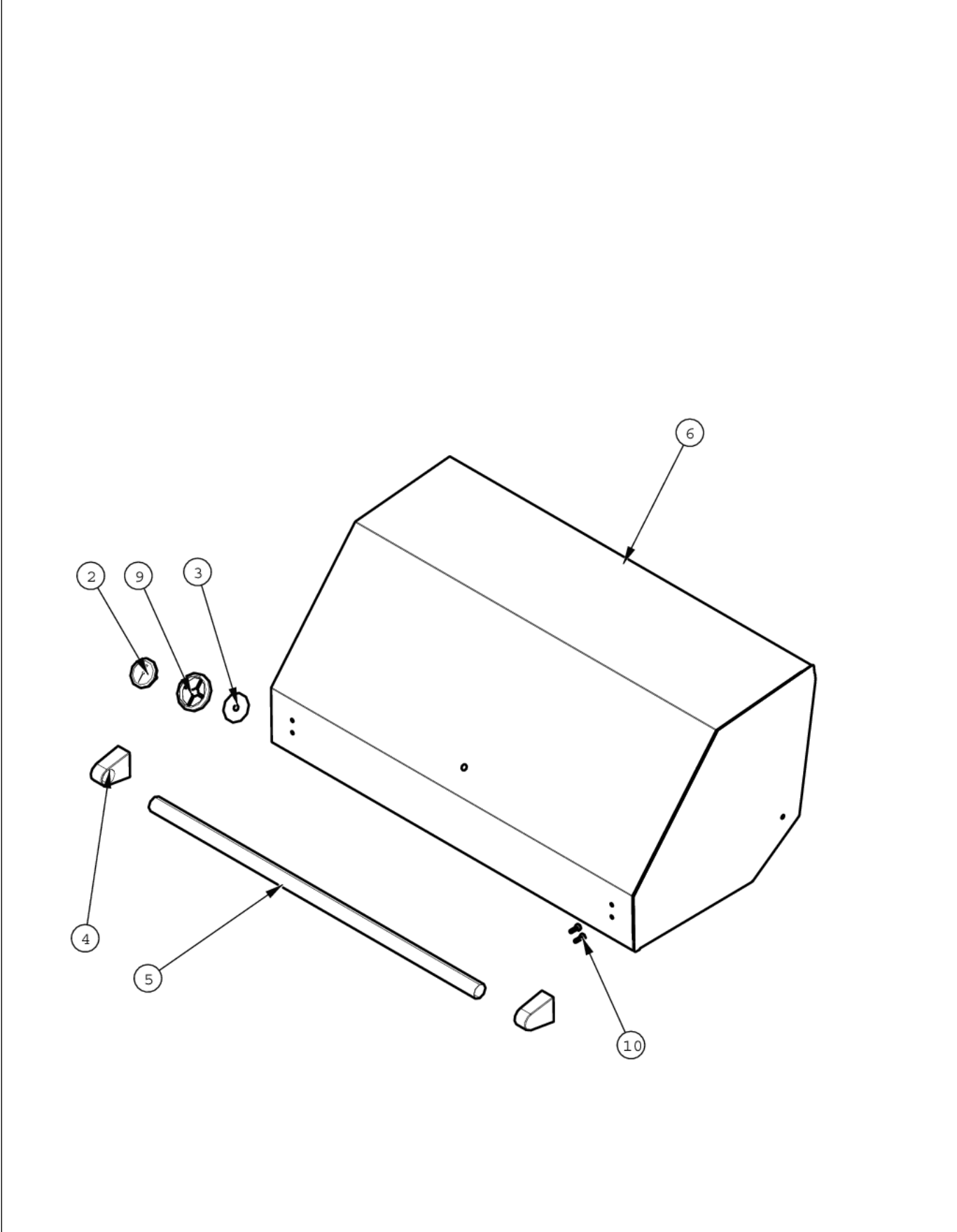
BURNER BOX





Item	Part No.	Name	Qty	Uom	NOTES
2	002369-000	REDESIGN BBQ GRATE - FULL	2	EA	
5	G3208947	Lower I/R Burner Assy	1	EA	
6	PD020055	' #10 X 1/2" PAN PHIL. TEK.*SS*	4	EA	
8	032240-000	BOX, BRN, ASM, 41" VGIQ	1	EA	
9	023000-000	BURNER, GRL, ASM, U	1	EA	
10	032381-000	TRAY, CRMC, BRIQUETTE, ASM	6	EA	
15	034558-000	BRACKET, SPACER, BRIQUETTE IQ	2	EA	
18	B20015415	VGIB151/VGIQ COVER	1	EA	
19	B2005246	BURNER BOX SHIELD (PHASE 2)	1	EA	
21	PB020114	FLASH TUBE (VGBQ3002T)	3	EA	
22	PB040288	SMOKER BURNER IGNITER	3	EA	
20	B2008943	GREASE SCREEN	1	EA	
25	PE030197	VGIQ30 COVER HANDLE	1	EA	

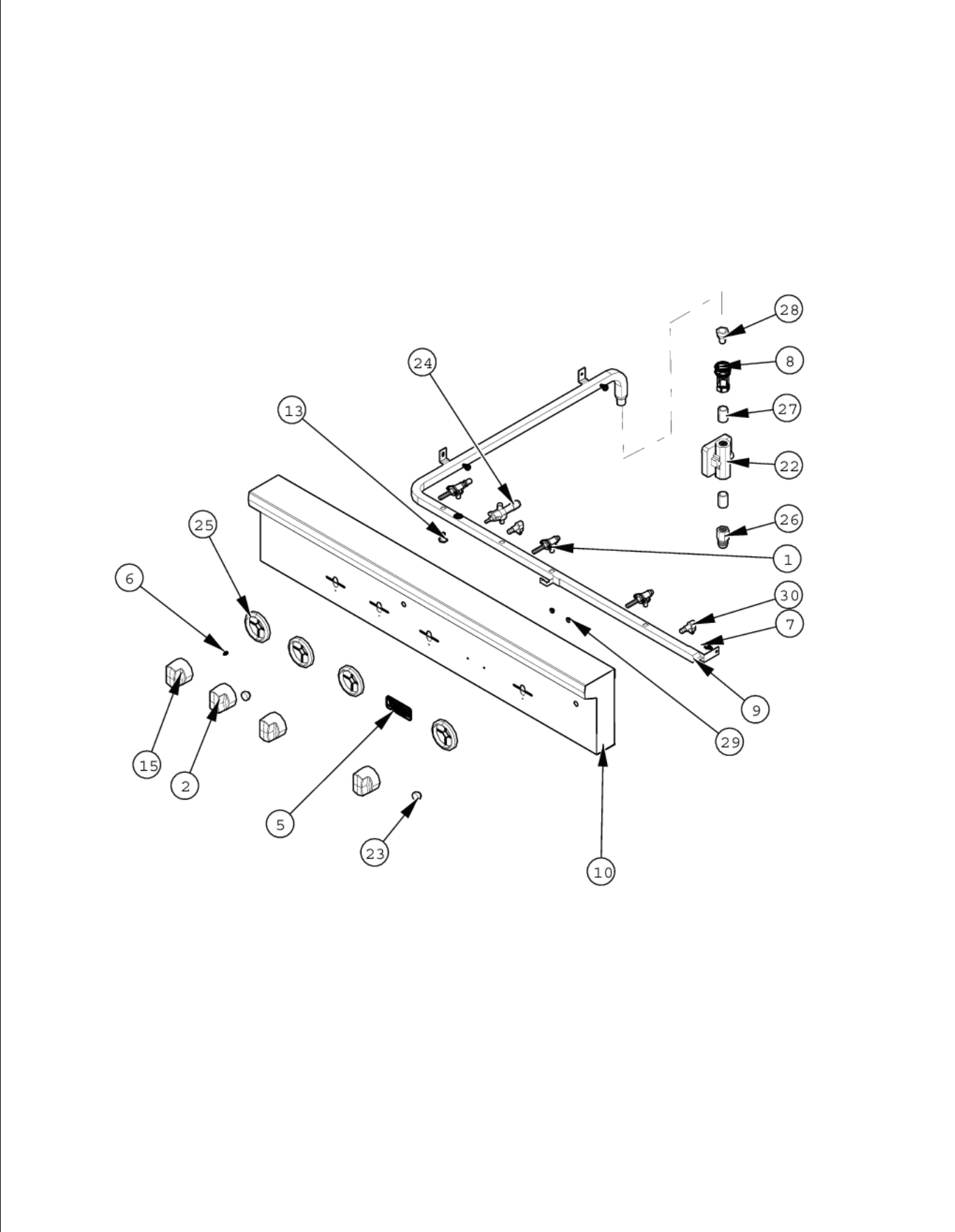
CANOPY





Item	Part No.	Name	Qty	Uom	NOTES
2	042720-000	GAUGE, BMTL, TEMPERATURE	1	EA	
3	026724-000	SPACER, WSHR	1	EA	
4	026965-000	END CAP, ASM, DOOR HANDLE	2	EA	
5	032436-000	HANDLE, HOOD, 542	1	EA	
6	032519-000	HOOD, WELD ASM, BQ542	1	EA	
9	050172-000	BEZEL, KNOB	1	EA	
10	014221-000	1/4-20 X .625 HEX 316 SS	4	EA	
NI	036547-000	GROMMET, RECTANGLE RUBBER	2	EA	
Not Shown	NOTE	(USED ON CANOPY)		EA	

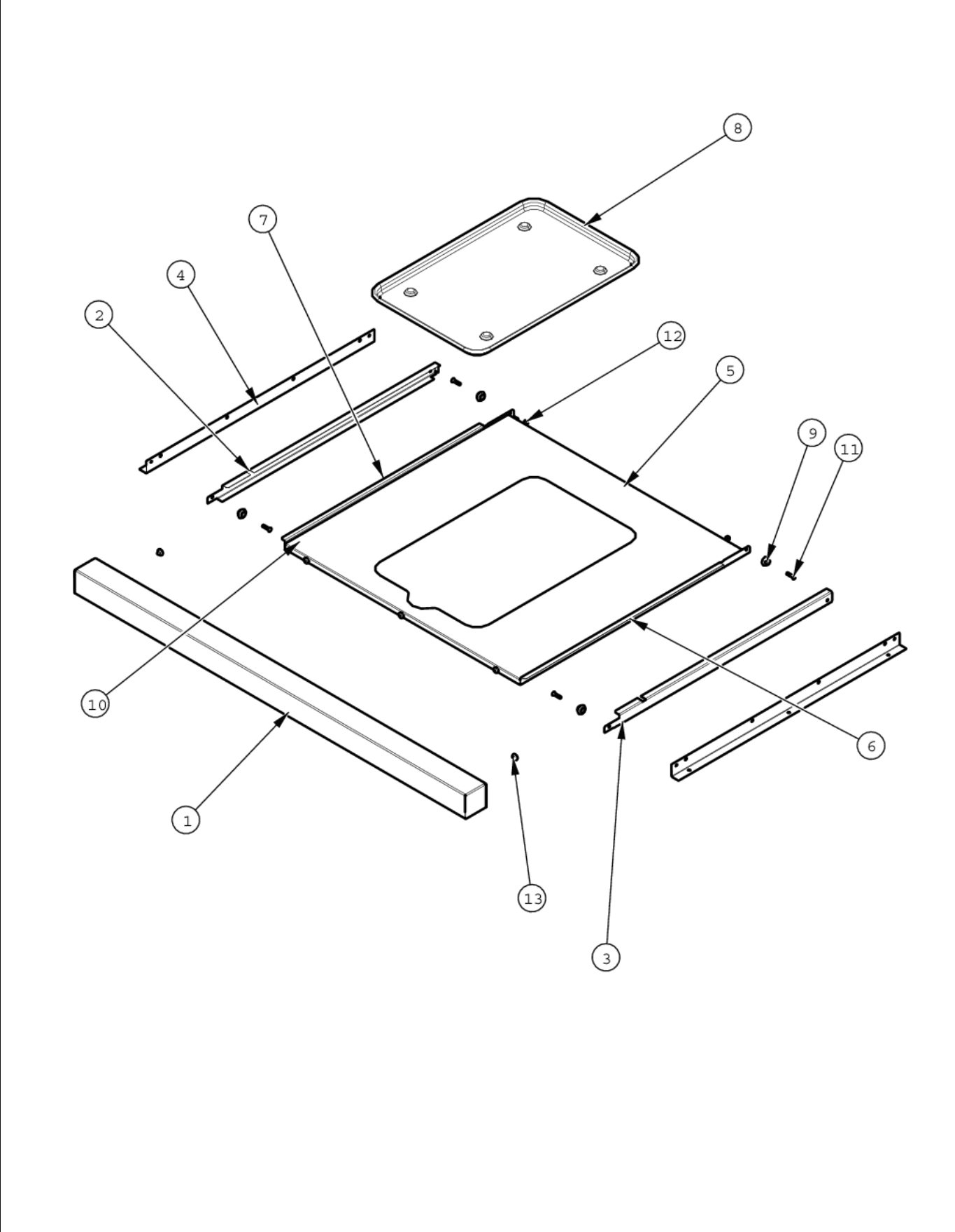
CONTROL PANEL





Item	Part No.	Name	Qty	Uom	NOTES
1	006388-000	GAS VALVE - NAT.	3	EA	
1	006389-000	GAS VALVE - LP	3	EA	
2	014618-000	GRILL ROTISSERIE KNOB - SS	1	EA	
5	015009-000	OUTDOOR LOGO - 3" CHROME	1	EA	
6	020041-000	SCR, DR, PH, PNH, 410 SS, NPLT, 6-20 x 3/8	4	EA	
7	PD020055	' #10 X 1/2" PAN PHIL. TEK.*SS*	6	EA	
8	023653-000	Nipple-Coupler Assy	1	EA	
9	025866-000	MANIFOLD, GAS, IQ4103	1	EA	
10	042444-2378	PNL, CTRL, ASSY, VGBQ54203 W/GRAPHICS	1	EA	
13	PD010012	1/4 x 3/8 VALVE BOLT	4	EA	
15	014616-000	GRILL KNOB - SS	3	EA	
22	PA070006	PRESSURE REG.(NAT.)-4"-FOR BBQ GRIL - NLA	1	EA	
22	PA070005	PRESSURE REG.(LP) RV47L- 77-10.0	1	EA	
23	PB010163	OVEN LIGHT SWITCH KNOB *BK* (VESO/D	1	EA	
24	046329-000	LP ROTIS VALVE - KNOB KIT	1	EA	
25	PB010304	KNOB BEZEL	1	EA	
26	PB040235	1/2"NPT TO 3/8" FLARE COUPLING	1	EA	
27	PB040046	1/2" CLOSE NIPPLE	2	EA	
28	PB040146	1/2" X 3/8" FLARE ADAPTER (VGBQ)	1	EA	
29	PD030006	CAPPED WASHER PAL NUT	2	EA	
30	PE050063	SPARKER SWITCH (PHASE 2)	2	EA	

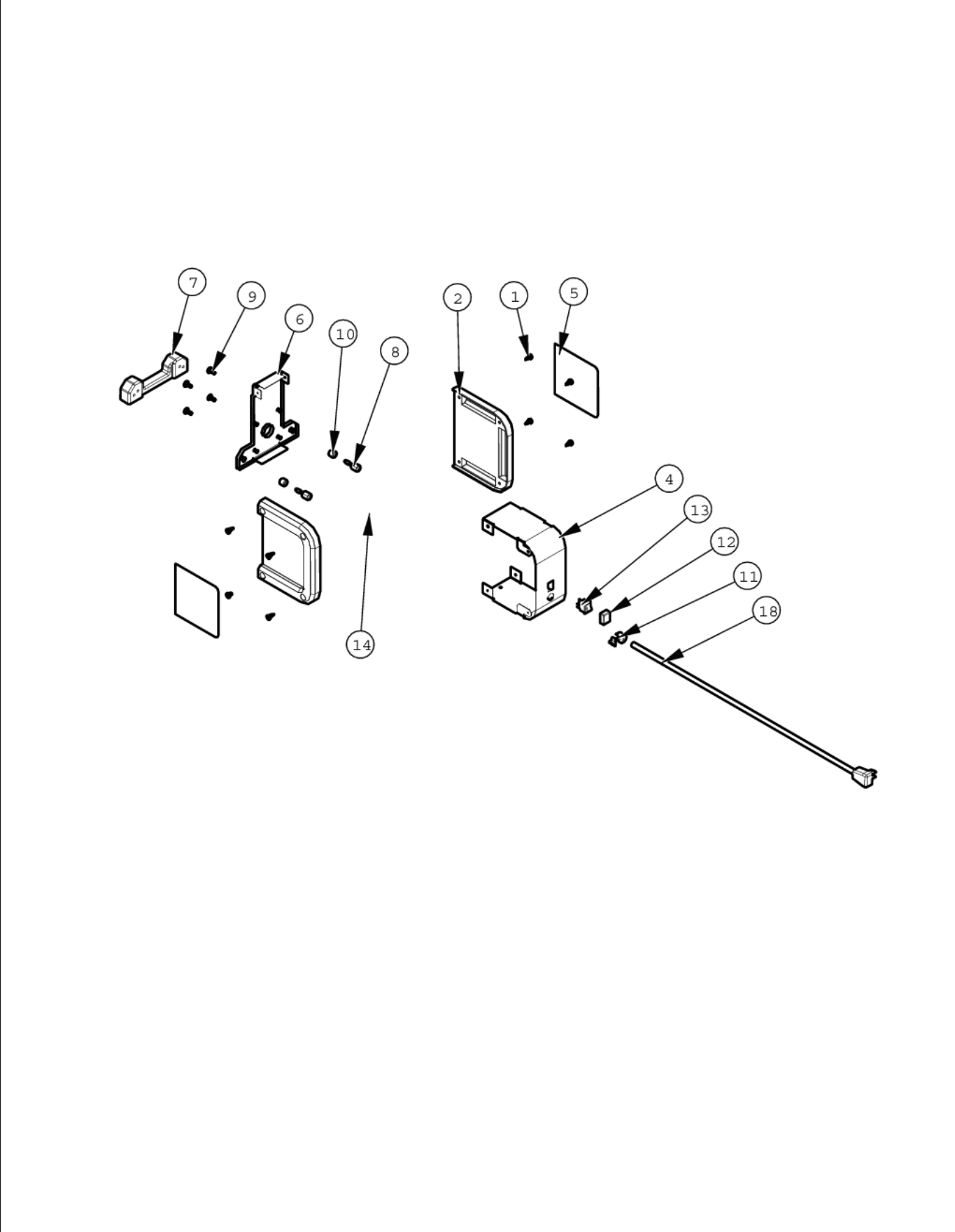
DRIP TRAY





Item	Part No.	Name	Qty	Uom	NOTES
1	032357-000	HANDLE, DRIP TRAY, 542"		EA	
2	B20013593	DRIP TRAY SLIDE - LH		EA	
3	B20013594	DRIP TRAY SLIDE - RH		EA	
4	B2005213	DRIP TRAY GUIDE BRACKET (PHASE 2)		EA	
5	B2005310	DRIP TRAY 41 (VGBQ4103RT)		EA	
6	B2005316	DRIP TRAY RUNNER RH		EA	
7	B2005317	DRIP TRAY RUNNER LH (PHASE 2)		EA	
8	J2101749	GREASE PAN		EA	
9	PC020025	DRIP TRAY WHEEL		EA	
10	PD020055	' #10 X 1/2" PAN PHIL. TEK.*SS*		EA	
11	PD020082	10 X 24 COUNTERSUNK S.S. SCREW		EA	
12	PD030044	10-24 KEPS NUT *SS*		EA	
13	PD040004	GROMMET BUMPER		EA	
NI	PD020056	' #10-24 X 1/2" PH.TR. M.S. *SS*		EA	

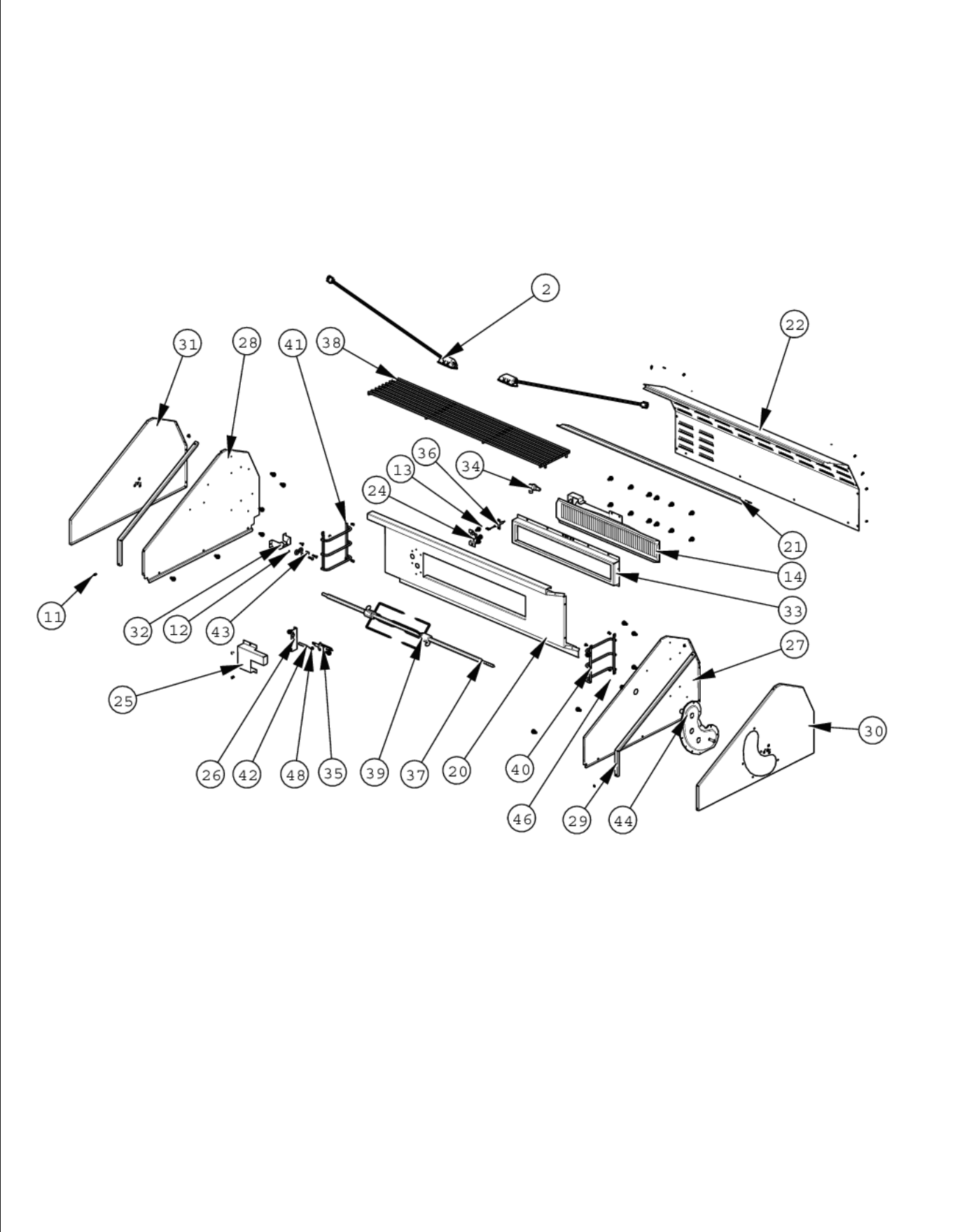
MOTOR



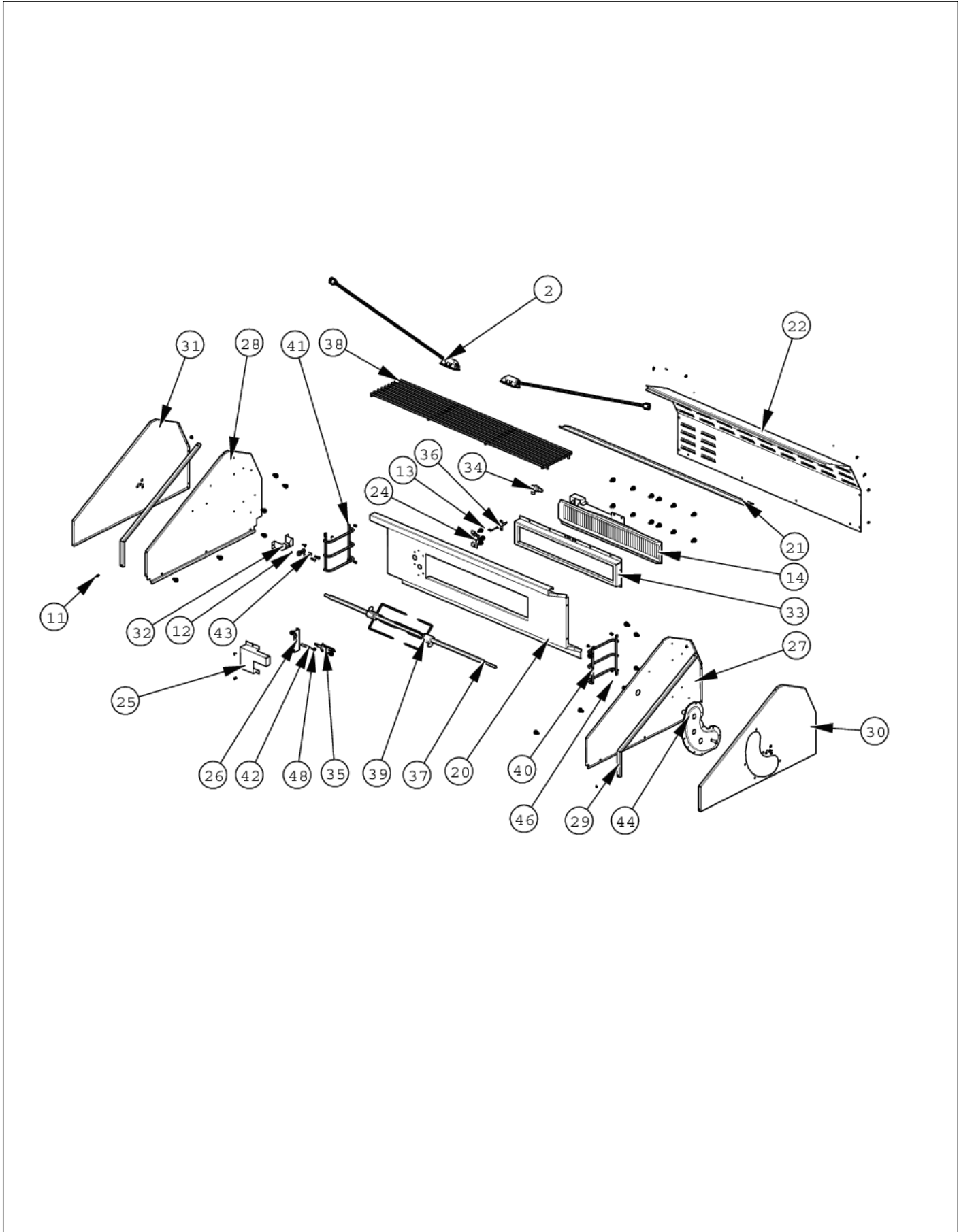


Item	Part No.	Name	Qty	Uom	NOTES
1	PD020055	' #10 X 1/2" PAN PHIL. TEK.*SS*	8	EA	
2	026550-000	ENDCAP, SPRT COVER	1	EA	
4	026554-000	BRACKET, ROTIS MAIN BODY	1	EA	
5	032600-000	PLATE, COVER, ENDCAP	1	EA	
6	032650-000	BRACKET, PNL, BACK, SUPPORT	1	EA	
7	PB060055	Rotis. Mount Casting	1	EA	
8	PD010090	ROTIS FASTENER KNOB	2	EA	
9	PD020068	NO.10 - 32 X 1/2TRUSS. PHIL. M.XSSX	4	EA	
10	PD030064	CAPTURE NUT 1/4" #20	2	EA	
11	PD040044	SNAP THRU BUSHING 1/4"DIA CORD	1	EA	
12	PE050046	ROTIS SWITCH BOOT	1	EA	NO LONGER AVAILABLE
Not Shown	NOTE	(MUST ORDER ITEM 13)		EA	
13	PE050051	ROTIS SWITCH	1	EA	
14	PE070184	ROTISSERIE MOTOR	1	EA	
18	PE070189	ELECTRICAL SUPPLY CORD - BBQ GRILL	1	EA	
NI	026553-000	MOTOR, ROTIS, ASM	1	EA	

UPPER GRILL



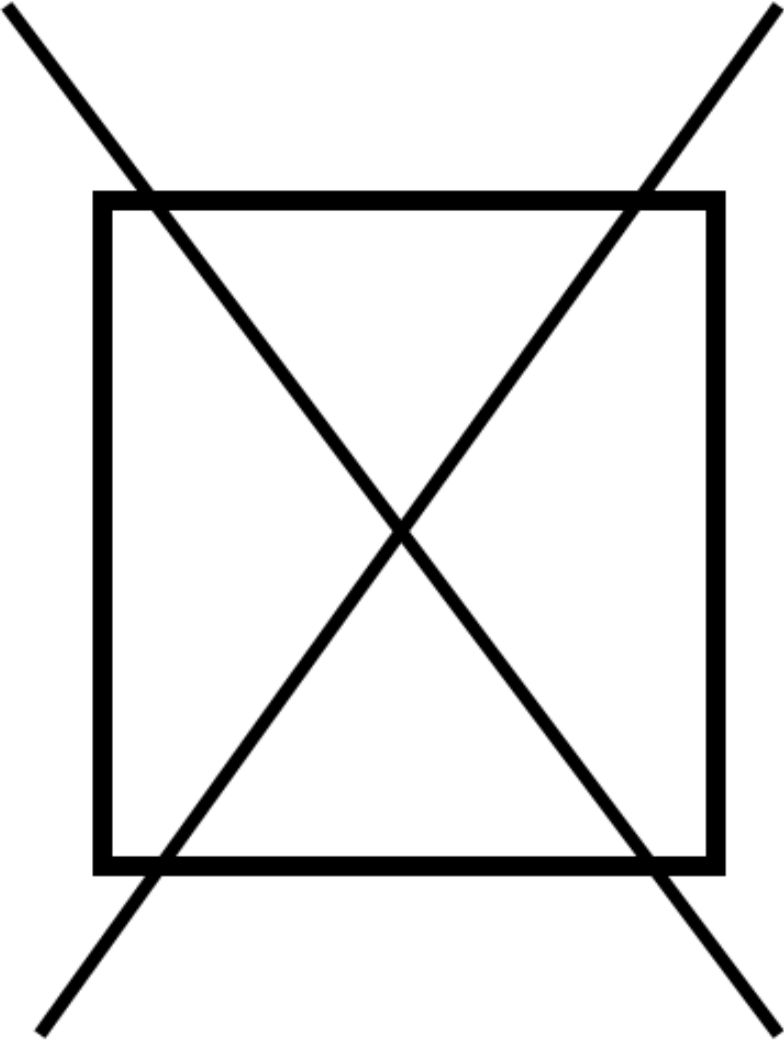
Item	Part No.	Name	Qty	Uom	NOTES
2	034082-000	120V HALOGEN LIGHT ASM	2	EA	
11	020037-000	SCR, DR, FCSKHP, 410 SS, NPLT, 8-18 x 3/4	4	EA	
12	PD020055	' #10 X 1/2" PAN PHIL. TEK.*SS*	6	EA	
13	PD020055	' #10 X 1/2" PAN PHIL. TEK.*SS*	6	EA	
14	G3005289	I/R Burner Assy	1	EA	
20	032513-000	WALL, GRILL, INNER, REAR 542	1	EA	
21	034141-000	SHIELD, TOP, GRILL, 42"	1	EA	
22	034159-000	GRILL, CVR , REAR, 42"	1	EA	
24	B20015401	FLEX IGNITER STAND OFF	1	EA	Not available online / Call for pricing and availability
25	B20015402	I/R IGNITOR COVER LH	1	EA	
26	B20015403	IR IGNITOR BRACKET	1	EA	
27	B20015418	INSIDE WINDSHIELD RH	1	EA	Not available online / Call for pricing and availability
28	B20015419	INSIDE WINDSHIELD LH	1	EA	Not available online / Call for pricing and availability
29	B20015574	GRILL WINDSHIELD TRIM	2	EA	
30	B20015575	OUTSIDE WINDSHIELD - RH	1	EA	
31	B20015576	OUTSIDE WINDSHIELD-LH	1	EA	
32	B2005278	ROTISSERIE ROLLER BRACKET (PHASE 2)	1	EA	
33	B2005347	I/R Frame	1	EA	
34	PB050060	I/R VENTURI (PHASE 2 BBQ)	1	EA	
35	PB040160	WOK IGNITER	1	EA	
36	PB040160	WOK IGNITER	1	EA	
37	PB060053	Spit Rod	1	EA	
38	032870-000	SHELF, BQ42", 304, SST	1	EA	
39	032881-000	FORK, RTSR	2	EA	
40	PB060112	WARMING RACK SUPPORT RH	1	EA	
41	PB060113	WARMING RACK SUPPORT LH	1	EA	





Item	Part No.	Name	Qty	Uom	NOTES
42	042576-000	THERMOCOUPLE	1	EA	
43	PC020025	DRIP TRAY WHEEL	2	EA	
44	PC070024	ROTIS. GEAR BOX ASSY	1	EA	
46	PD020056	' #10-24 X 1/2" PH.TR. M.S. *SS*	5	EA	
48	PD030048	THERMOCOUPLE NUT M08- VGBQ-8743300007	1	EA	
NI	034607-000	FASTENER, BOLT, 5/16 - 1-1/2"	2	EA	

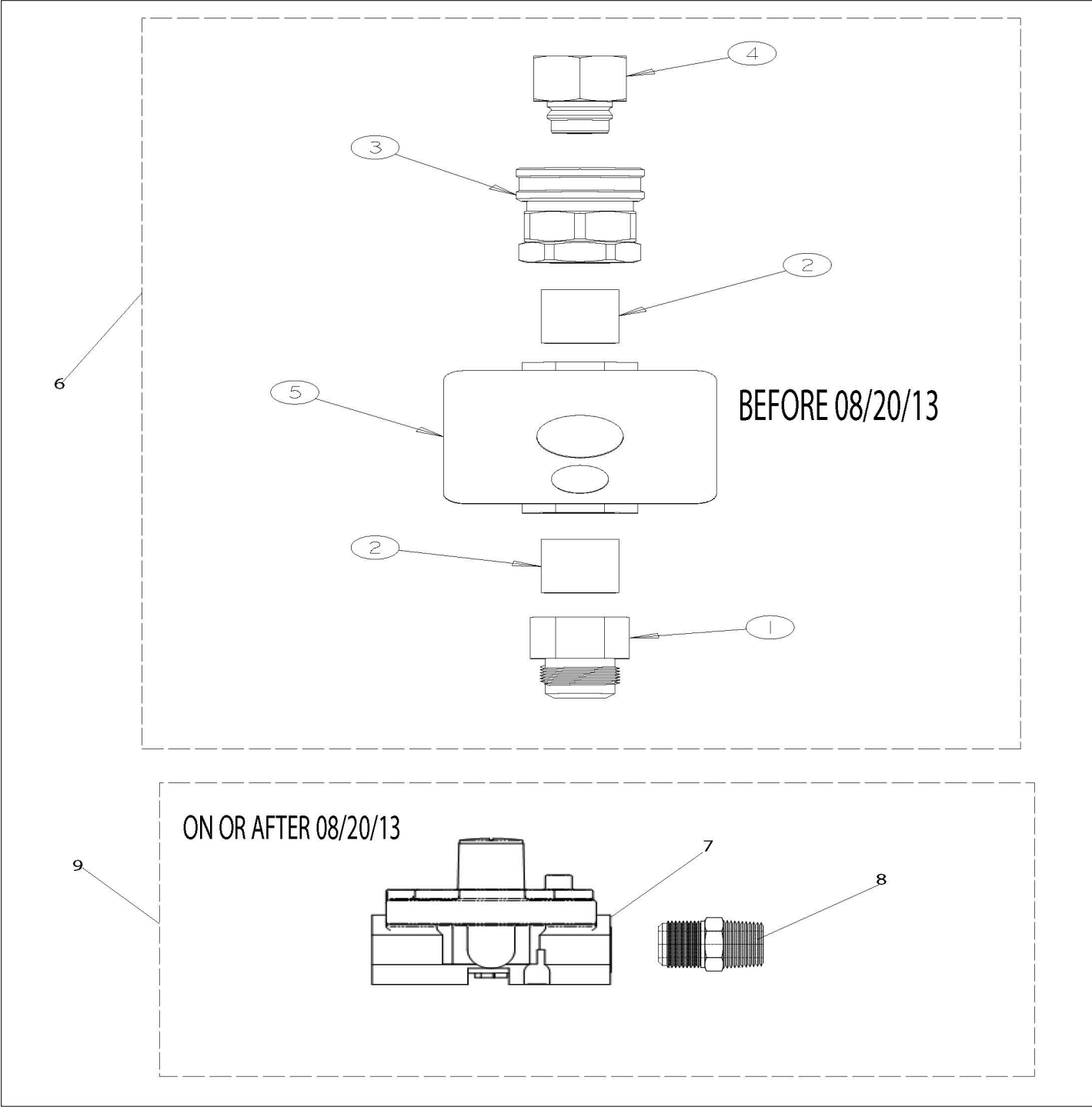
NON ILLUSTRATED PART





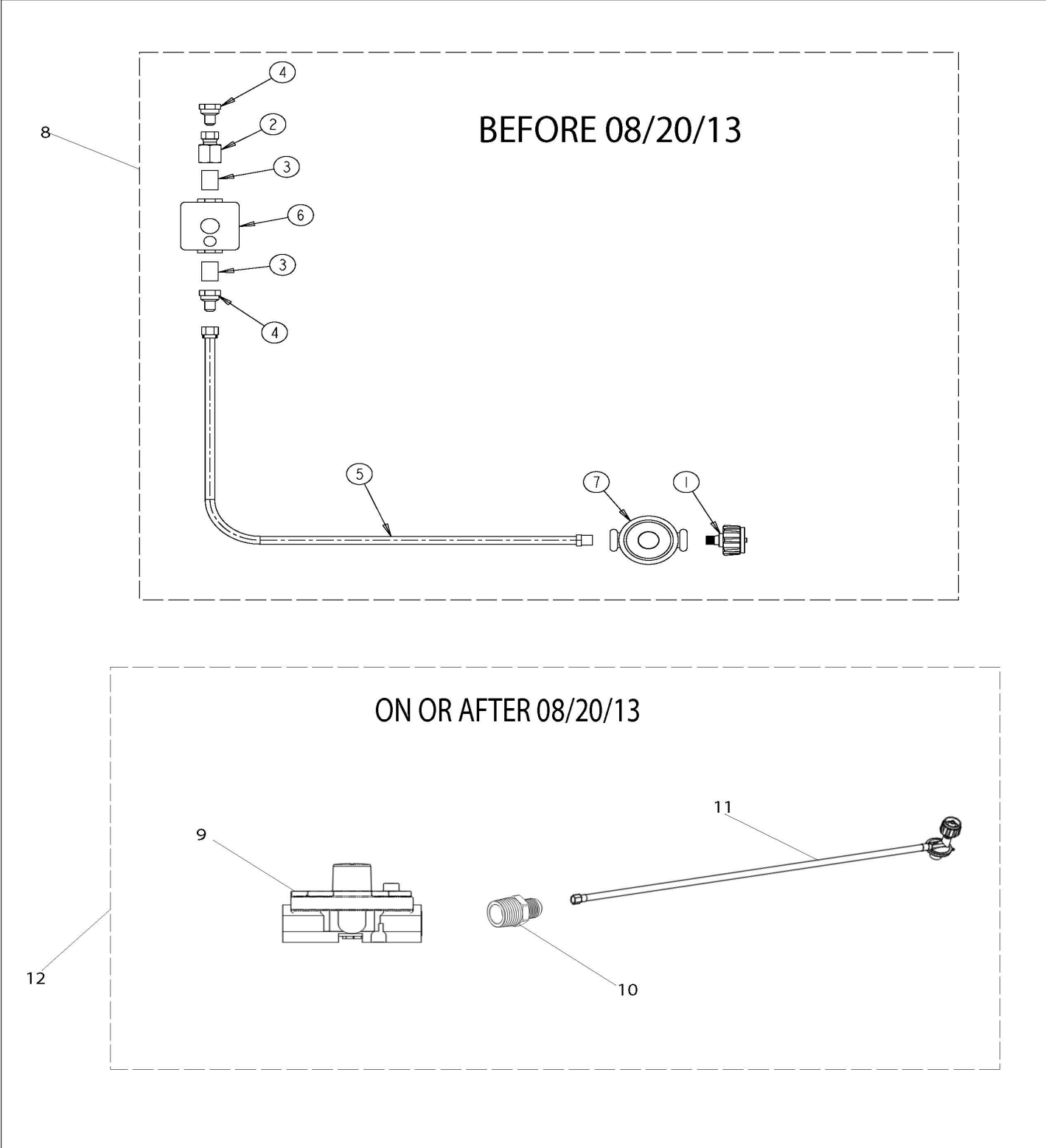
Item	Part No.	Name	Qty	Uom	NOTES
NI	033724-000	HARN, LED, GRILL 542	1	EA	
NI	026342-000	HARN, MAIN, 4103RE2	1	EA	
NI	G4006379	WIRE ASSY (VGBQ-T SERIES) 25"	1	EA	
NI	G40016230	IGNITOR WIRE 40"	1	EA	
NI	G40016227	IGNITOR WIRE 18"	1	EA	
NI	025323-000	HARNESS, WIRE, ROTISSERIE	1	EA	
NI	G4000936	GROUND WIRE	2	EA	
NI	PE070036	NYLON CABLE TIES -7"	7	EA	

Natural Gas Asm





Item	Part No.	Name	Qty	Uom	NOTES
1	PB020239	7/8 FLARE TO 1/2 FEMALE CONNECTOR	1	EA	
2	PB040046	1/2" CLOSE NIPPLE	2	EA	
3	023653-000	Nipple-Coupler Assy	1	EA	
4	023653-000	Nipple-Coupler Assy	1	EA	
5	PA070006	PRESSURE REG.(NAT.)-4"-FOR BBQ GRIL - NLA	1	EA	
6	G3004936	REGULATOR ASSY - NAT (P1 GRILL)	1	EA	
7	PA070006	PRESSURE REG.(NAT.)-4"-FOR BBQ GRIL - NLA	1	EA	
8	043747-000	FITTING, FLARE, BRASS	1	EA	Not available online / Call for pricing and availability
9	043217-000	REGUALATOR, NAT ASSY	1	EA	





Item	Part No.	Name	Qty	Uom	NOTES
1	PA010138	CYLINDER CONNECTION	1	EA	
2	PB040235	1/2"NPT TO 3/8" FLARE COUPLING	1	EA	
3	PB040046	1/2" CLOSE NIPPLE	1	EA	
4	PB040146	1/2" X 3/8" FLARE ADAPTER (VGBQ)	1	EA	
5	PB020227	HIGH PRESSURE LP HOSE	1	EA	
6	PA070005	PRESSURE REG.(LP) RV47L- 77-10.0	1	EA	
7	PA070007	LP TANK REGULATOR (VGBQ)	1	EA	
8	G3004937	REGULATOR ASSY - L.P. W/HOSE	1	EA	
9	PA070005	PRESSURE REG.(LP) RV47L- 77-10.0	1	EA	
10	041140-000	ADPT, STR, MALE, CMPN, FLRE, BRS, 45 DEG	1	EA	
11	043204-000	REGUALTOR, LP, HIGH PRESSURE, ASM	1	EA	
12	043214-000	REGULATOR, HOSE, LP ASSY	1	EA	



Appendix A:Pages Index

BASE 1
BURNER BOX 2
CANOPY 3
CONTROL PANEL 4
DRIP TRAY 5
LP Gas Asm 10
MOTOR 6
Natural Gas Asm 9
UPPER GRILL 7
WIRING 8



Appendix B:Parts Index

002353-000	1	033811-000	1
002354-000	1	034082-000	7
002355-000	1	034141-000	7
002369-000	2	034159-000	7
002671-000	1	034426-000	1
003801-000	1	034558-000	2
003857-000	1	034607-000	7
004089-000	1	036547-000	3
006021-000	1	041140-000	10
006388-000	4	042444-2378	4
006389-000	4	042576-000	7
007657-000	1	042720-000	3
014221-000	3	043204-000	10
014616-000	4	043214-000	10
014618-000	4	043217-000	9
015009-000	4	043747-000	9
020037-000	7	046329-000	4
020041-000	4	050172-000	3
023000-000	2	A20015411	1
023653-000	4, 9, 9	A20015412	1
025323-000	8	B20013593	1, 5
025752-000	1	B20013594	1, 5
025866-000	4	B20015401	7
026342-000	8	B20015402	7
026550-000	6	B20015403	7
026553-000	6	B20015415	2
026554-000	6	B20015418	7
026724-000	3	B20015419	7
026965-000	3	B20015509	1
032240-000	2	B20015512	1
032357-000	5	B20015568	1
032381-000	2	B20015574	7
032436-000	3	B20015575	7
032513-000	1, 7	B20015576	7
032519-000	3	B2005203	1
032600-000	6	B2005204	1
032650-000	6	B2005213	1, 5
032870-000	7	B2005246	2
032881-000	7	B2005278	7
033724-000	8	B2005310	5
		B2005316	5



B2005317	5	PD020056	5, 7
B2005347	7	PD020068	6
B2006305	1	PD020073	1
B2008943	2	PD020082	1, 5
B30015552	1	PD020166	1
G3004936	9	PD030006	4
G3004937	10	PD030044	5
G3005289	7	PD030048	7
G3208947	2	PD030064	6
G4000936	8	PD040004	5
G40016227	8	PD040044	6
G40016230	8	PE030197	2
G4006379	8	PE050046	6
J2101749	5	PE050051	6
L1004881	1	PE050063	4
L1005398	1	PE070036	8
PA010138	10	PE070147	1
PA020047	1	PE070184	6
PA070005	4, 10, 10	PE070189	6
PA070006	4, 9, 9		
PA070007	10		
PB010163	4		
PB010304	4		
PB020114	2		
PB020227	10		
PB020239	9		
PB040046	4, 9, 10		
PB040146	4, 10		
PB040160	7, 7		
PB040235	4, 10		
PB040288	2		
PB050060	7		
PB060053	7		
PB060055	6		
PB060112	7		
PB060113	7		
PC020025	1, 5, 7		
PC070024	7		
PD010012	4		
PD010090	6		
PD020055	1, 1, 2, 4, 5, 6, 7, 7		