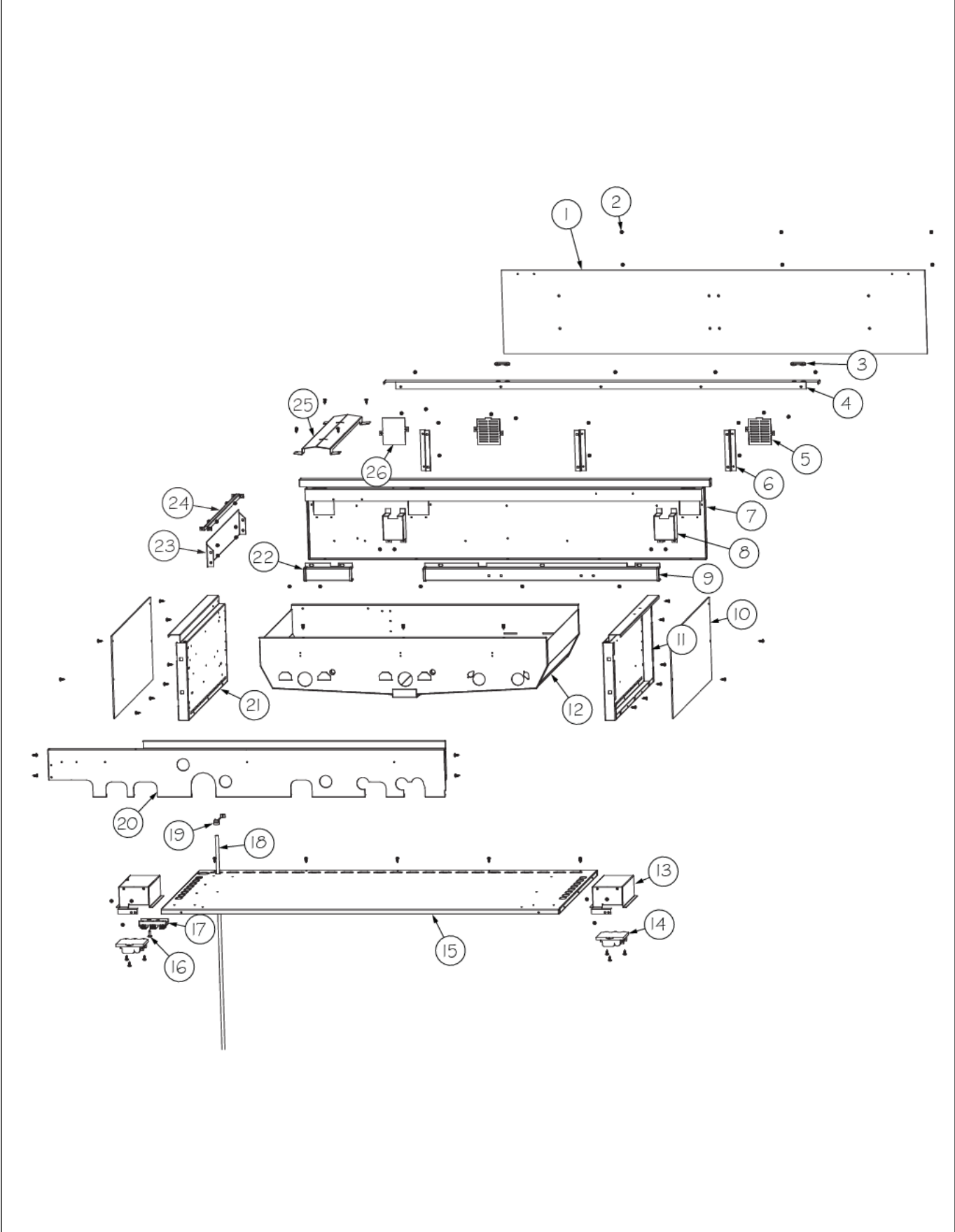


**VGIQ5323RE1**

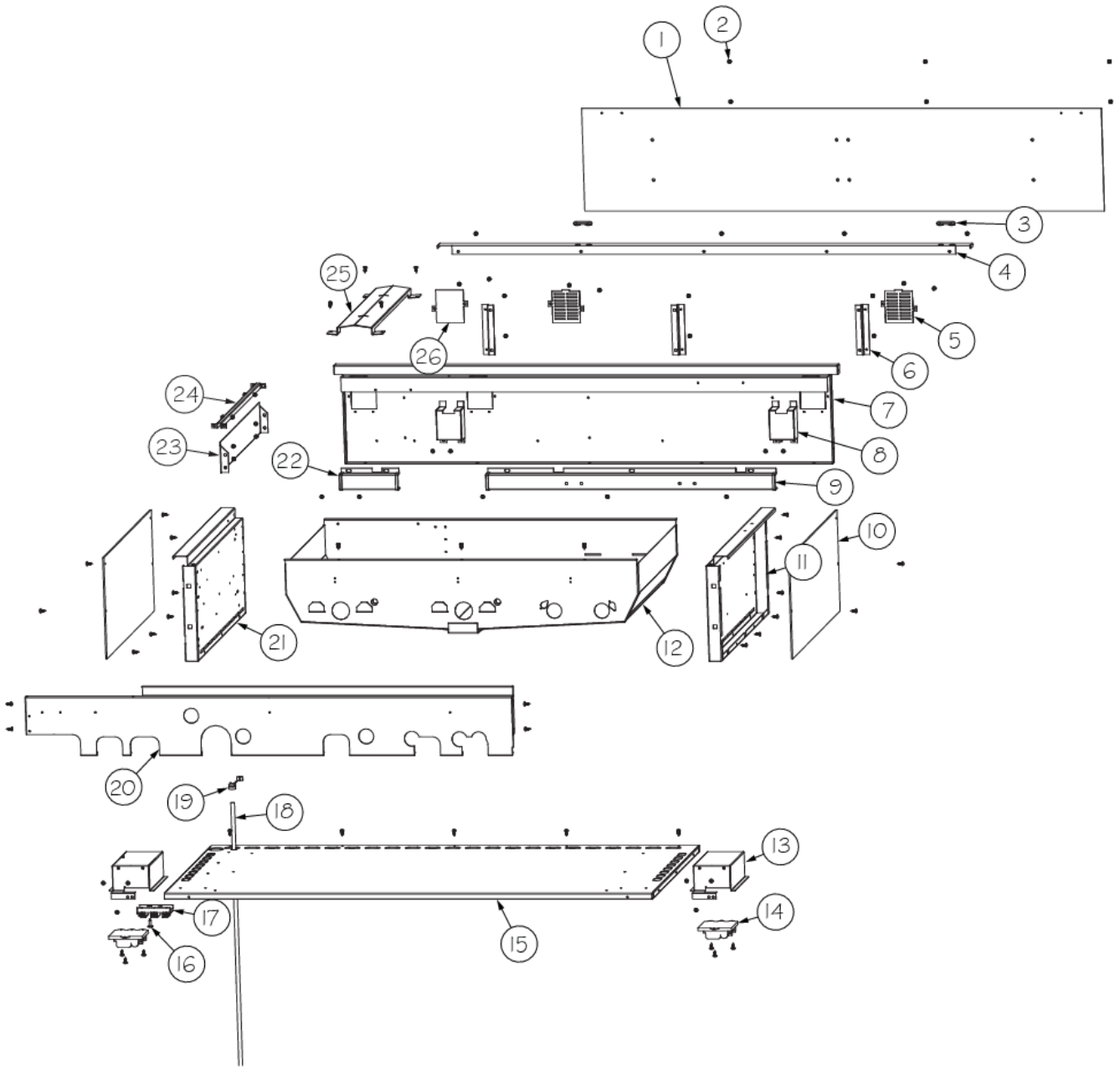
BURNER BOX AREA .....	1
BURNER GRATE AREA .....	2
CANOPY ASSEMBLY .....	3
CONTROL AREA .....	4
DRIP TRAY .....	5
LP GAS REGULATOR ASSEMBLY .....	6
NATURAL GAS REGULATOR ASSEMBLY .....	7
ROTISSERIE BURNER AREA .....	8
ROTISSERIE MOTOR ASSEMBLY .....	9
SIDE BURNER AREA .....	10
UPPER GRILL AREA .....	11
WIRING .....	12
Appendix A:Pages Index .....	A
Appendix B:Parts Index .....	B



BURNER BOX AREA



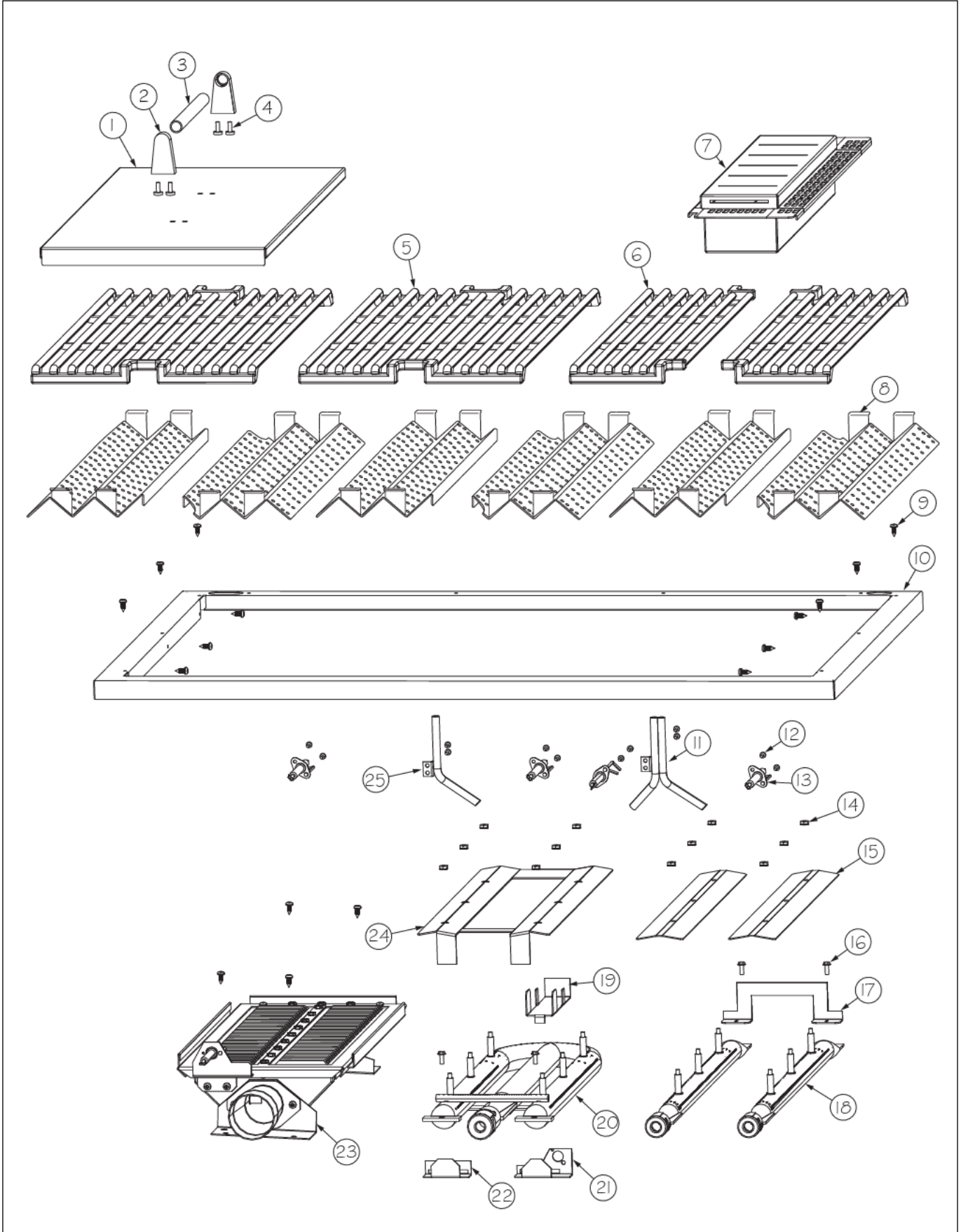
Item	Part No.	Name	Qty	Uom	NOTES
1	L1004882	REAR HEAT SHIELD - 53"	1	EA	
2	PD020055	' #10 X 1/2" PAN PHIL. TEK.*SS*	83	EA	
3	002671-000	RUBBER DOOR BUMPER	2	EA	
4	004093-000	5323 GRILL REAR TRIM	1	EA	
5	002353-000	GRILL PLUG VENT	2	EA	NO LONGER AVAILABLE, Not available online / Call for pricing and availability
6	B2006305	HEAT SHIELD BRACKET	3	EA	
7	B20015511	GRILL BOX BACK 53"	1	EA	
8	002355-000	GRILL RECEPTACLE BOX	2	EA	
9	A20015410	GRILL WIRE CHANNEL - 53" REAR	1	EA	
10	L1005398	Side Heat Shield	2	EA	
11	B2005203	Grill Box Side - RH	1	EA	
12	008327-000	BURNER BOX, ASM, BQ	1	EA	Not available online / Call for pricing and availability
13	B30015552	0+4 SPARK MODULE TERMINAL HOUSING	2	EA	
14	PA020047	INVENSYS 0+4 RE-IGNITION SPARK MODULE	2	EA	
15	B20015508	GRILL BOX BOTTOM 53"	1	EA	
16	PD020014	10X3/4 PH TR HD SMS	1	EA	
17	PE070855	E SERIES TERMINAL BLOCK	1	EA	
18	PE070791	GRILL POWER SUPPLY CORD (8 FT)	1	EA	
19	PD040044	SNAP THRU BUSHING 1/4"DIA CORD	1	EA	
20	008180-000	SUPPORT, BQ, FR	1	EA	Not available online / Call for pricing and availability
21	B2005204	Grill Box Side - LH	1	EA	
22	A20015412	GRILL WIRE CHANNEL - 42" SHORT	1	EA	
23	B20011414	BURNER BOX DIVIDER (VGIQ300T)	1	EA	
24	B2005244	BURNER BOX CENTER TRIM	1	EA	





Item	Part No.	Name	Qty	Uom	NOTES
25	B2005246	BURNER BOX SHIELD (PHASE 2)	1	EA	
26	002354-000	GRILL PLUG PLATE	1	EA	NO LONGER AVAILABLE, Not available online / Call for pricing and availability
NI	019962-000	SERVICE POWER CORD SHIELD KIT	1	EA	

BURNER GRATE AREA

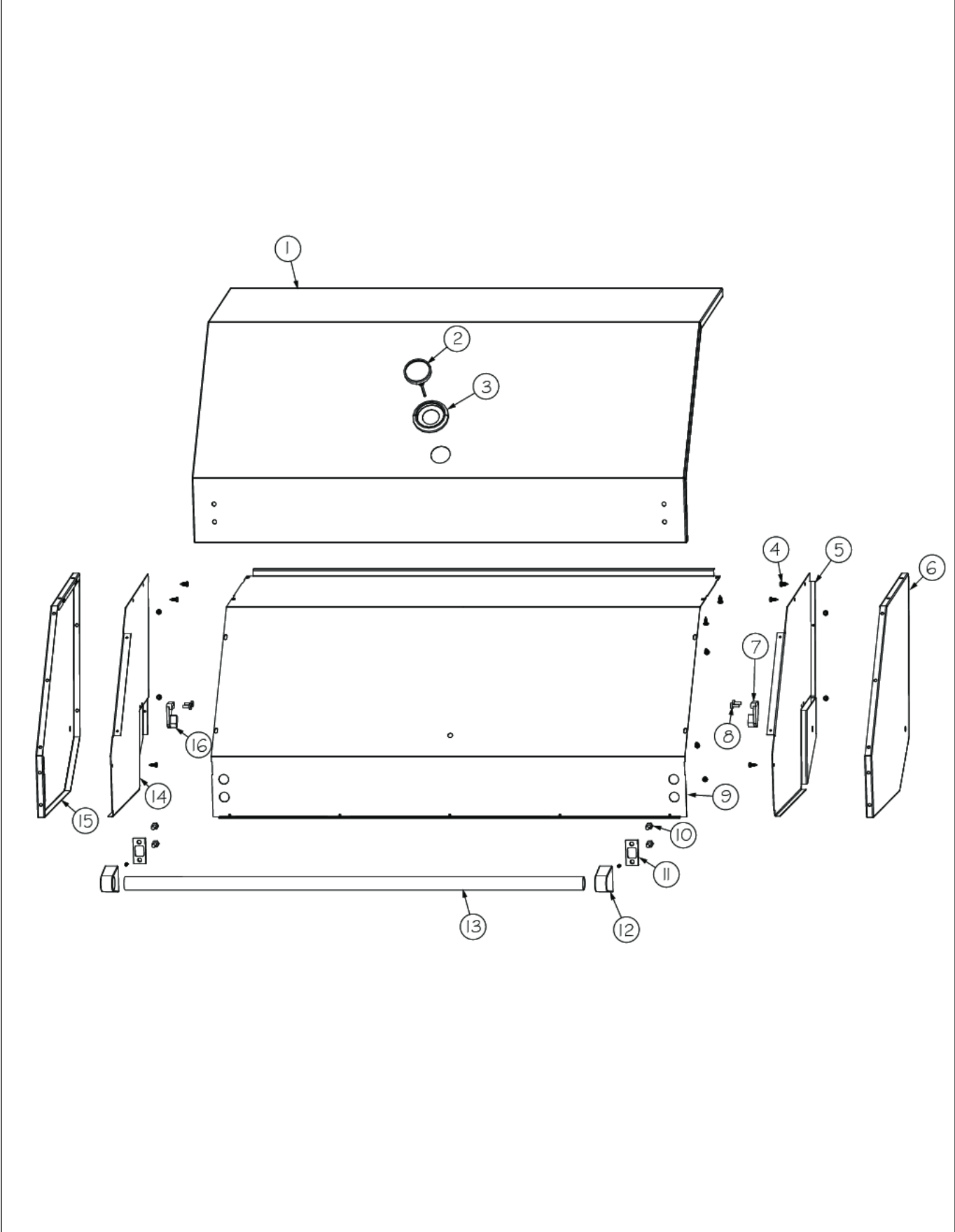






Item	Part No.	Name	Qty	Uom	NOTES
1	004459-000	GRILL SIDE BURNER COVER	1	EA	
2	PE030187	HANDLE END CAP *CHROME* OUTDOOR CABINET	2	EA	
3	PE030197	VGIQ30 COVER HANDLE	1	EA	
4	PD020056	' #10-24 X 1/2" PH.TR. M.S. *SS*	4	EA	
NI	004460-000	GRILL SIDE BURNER COVER ASSEMBLY - NLA	1	EA	
Not Shown	NOTE	(INCLUDES ITEMS 1 THROUGH 4)		EA	
5	002369-000	REDESIGN BBQ GRATE - FULL	2	EA	
6	002370-000	REDESIGN BBQ GRATE - HALF	2	EA	
7	027596-000	BOX, SMOKER ASM	1	EA	
8	PK010061	1/2 Flavor Grid	6	EA	
9	PD020055	' #10 X 1/2" PAN PHIL. TEK.*SS*	16	EA	
10	B20015515	GRILL FRAME 41"	1	EA	
11	PB020115	SMOKER FLASH TUBE	1	EA	
12	PD020067	' #6 X 3/8" PAN PHIL. TEK *SS*	14	EA	
13	008091-000	PB040288 IGNITOR KIT	3	EA	
14	PD030044	10-24 KEPS NUT *SS*	12	EA	
15	006757-000	SMOKER DRIP SHIELD	2	EA	
16	PD020048	NO.10 X 1/2 TEK 410 SS SCREW	4	EA	
17	B2005248	FRONT BURNER BRACKET (PHASE 2)	1	EA	
18	PA080051	Smoker Burner	2	EA	
19	006010-000	GRILL BURNER REAR BRACKET	1	EA	
20	004276-000	OUTDOOR GRILL U-BURNER	1	EA	
21	008181-000	BRCKT, IGNITOR, MT.	1	EA	
22	006011-000	GRILL BURNER FRONT BRACKET	1	EA	
23	G3208947	Lower I/R Burner Assy	1	EA	
24	007676-000	DRIP SHIELD, U	1	EA	
25	PB020114	FLASH TUBE (VGBQ3002T)	1	EA	

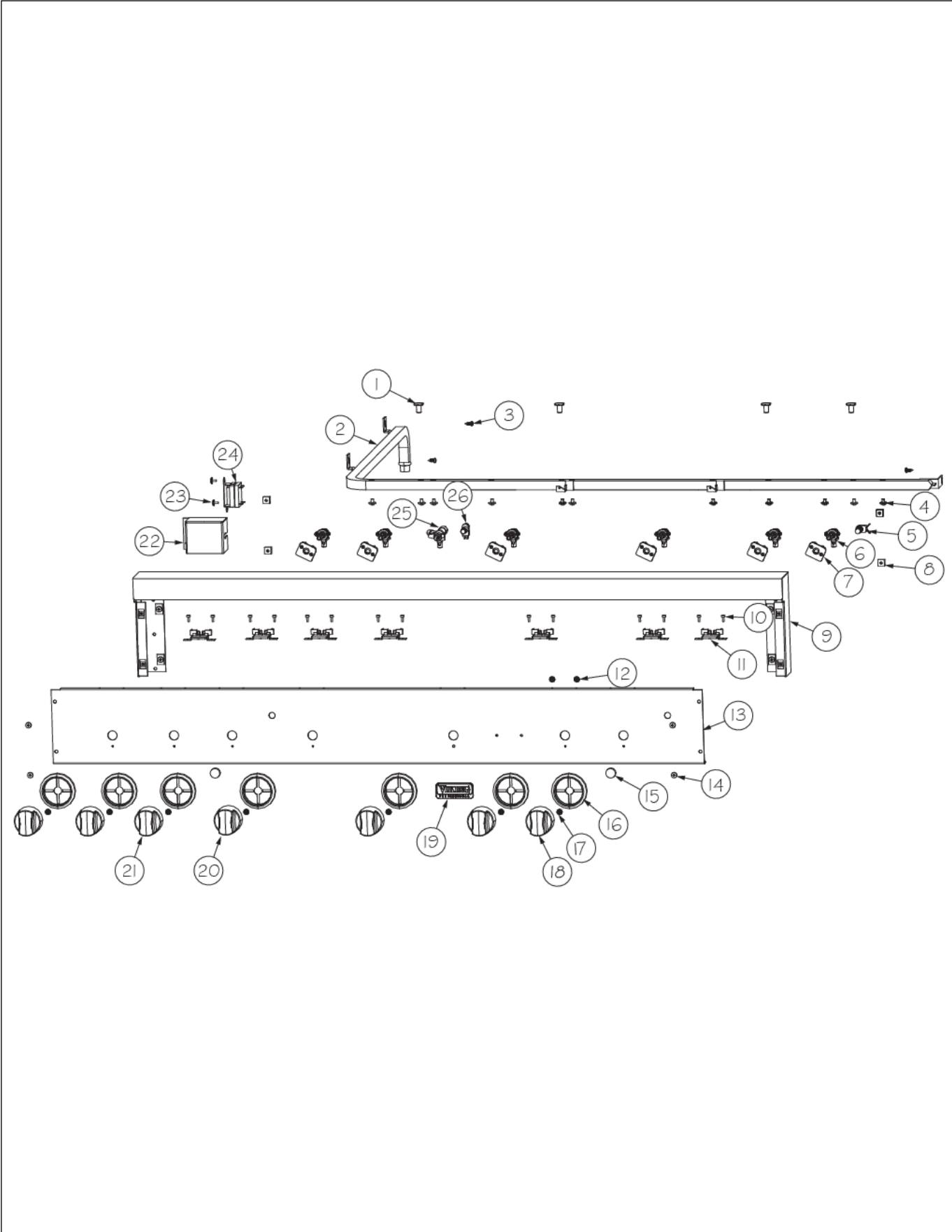
CANOPY ASSEMBLY





Item	Part No.	Name	Qty	Uom	NOTES
1	003636-000	41" OUTER CANOPY	1	EA	Not available online / Call for pricing and availability
2	PB010337	GRILL THERMOMETER	1	EA	
3	003366-000	THERMOSTAT BEZEL	1	EA	
4	PD020055	' #10 X 1/2" PAN PHIL. TEK.*SS*	23	EA	
5	007379-000	GRILL CANOPY INSIDE RH	1	EA	Not available online / Call for pricing and availability
6	003630-000	GRILL CANOPY OUTSIDE RH	1	EA	
7	007215-000	CANOPY SPRING END MOUNT-RH	1	EA	
8	PD020056	' #10-24 X 1/2" PH.TR. M.S. *SS*	4	EA	
9	003637-000	41" CANOPY HEAT SHIELD	1	EA	
10	PD020069	CAP SCREW 1/4-20 X 3/4 SS	4	EA	
11	PD040010	DOOR HANDLE SPACER	2	EA	
12	000268-000	HANDLE ENDCAP	2	EA	
13	PE030040	DOOR/CNPY HNDLE - RPLCS PE930090	1	EA	NO LONGER AVAILABLE
14	003633-000	GRILL CANOPY INSIDE LH	1	EA	
15	003632-000	GRILL CANOPY OUTSIDE LH	1	EA	Not available online / Call for pricing and availability
16	005941-000	CANOPY SPRING END MOUNT-LH	1	EA	

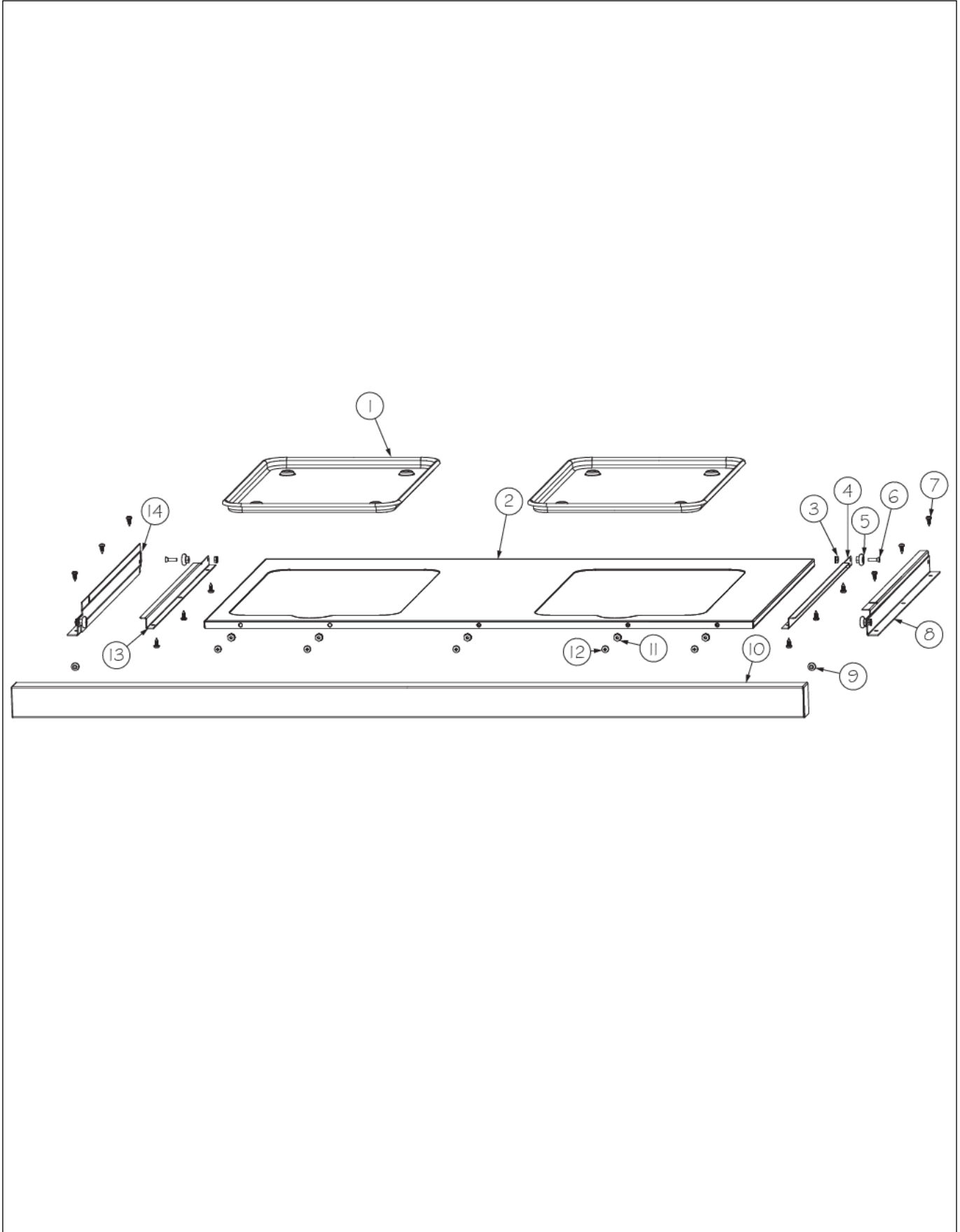
CONTROL AREA





Item	Part No.	Name	Qty	Uom	NOTES
1	002884-000	MANIFOLD PLUG	4	EA	
2	PA050068	PHASE2 53" MANIFOLD	1	EA	
3	PD020055	' #10 X 1/2" PAN PHIL. TEK.*SS*	3	EA	
4	PD010012	1/4 x 3/8 VALVE BOLT	11	EA	
5	PE050019	OVEN LIGHT SWITCH (VGSO166) 90-DEG.	1	EA	
6	006390-000	GAS VALVE - NAT.	6	EA	
7	PA020045	Spark Ignition Switch	6	EA	
8	PD030050	10-24 CAGE NUT *SS*	4	EA	
9	PK010065	LANDING LEDGE (VGBQ53) T SERIES	1	EA	
10	PD020067	' #6 X 3/8" PAN PHIL. TEK *SS*	14	EA	
11	005999-000	LED BOARD ASSEMBLY	7	EA	
12	PD030006	CAPPED WASHER PAL NUT	2	EA	
13	006067-000	VGIQ5304RE1 CONTROL PANEL	1	EA	
14	PD020056	' #10-24 X 1/2" PH.TR. M.S. *SS*	4	EA	
15	PB010163	OVEN LIGHT SWITCH KNOB *BK* (VESO/D	2	EA	
16	050172-000	BEZEL, KNOB	7	EA	
17	PD020067	' #6 X 3/8" PAN PHIL. TEK *SS*	7	EA	
18	003561-000	OUTDOOR GRILL KNOB	5	EA	
19	PE010142	3" VIKING LOGO BLACK/CHROME	1	EA	
20	003562-000	OUTDOOR IR GRILL KNOB	1	EA	
21	003563-000	ROTIS BURNER KNOB	1	EA	
22	007657-000	PROT. COVER	1	EA	
23	PD020073	SRW #10 X 24 X 3/8 WAFER HD TYPE23	2	EA	
24	006021-000	SCE, PWR, LED, 12VAC	1	EA	
25	046328-000	NATURAL ROTIS VALVE - KNOB KIT	1	EA	
26	PE050063	SPARKER SWITCH (PHASE 2)	1	EA	

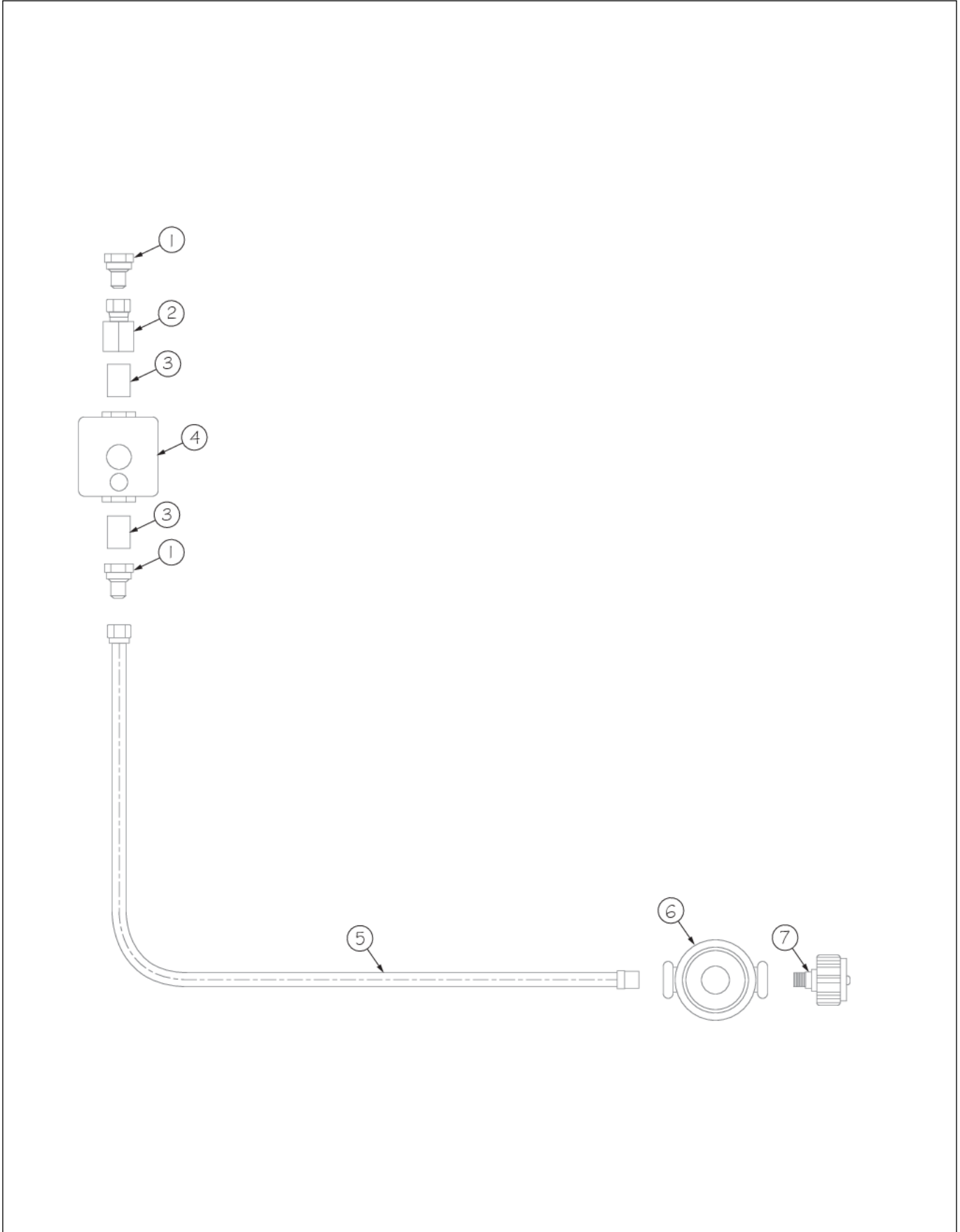
DRIP TRAY





Item	Part No.	Name	Qty	Uom	NOTES
1	J2101749	GREASE PAN	2	EA	
2	B2005309	DRIP TRAY 41	1	EA	
3	PD030044	10-24 KEPS NUT *SS*	2	EA	
4	B2005316	DRIP TRAY RUNNER RH	1	EA	
5	PC020025	DRIP TRAY WHEEL	2	EA	
6	PD020082	10 X 24 COUNTERSUNK S.S. SCREW	2	EA	
7	PD020055	' #10 X 1/2" PAN PHIL. TEK.*SS*	9	EA	
8	G3005214	DRIP TRAY SLIDE - LH	1	EA	
9	PD040004	GROMMET BUMPER	2	EA	
10	G3205305	53" DRIP TRAY ASSY	1	EA	
11	PD030044	10-24 KEPS NUT *SS*	5	EA	
12	PD020056	' #10-24 X 1/2" PH.TR. M.S. *SS*	5	EA	
13	B2005317	DRIP TRAY RUNNER LH (PHASE 2)	1	EA	
14	G3005214	DRIP TRAY SLIDE - LH	1	EA	

# LP GAS REGULATOR ASSEMBLY

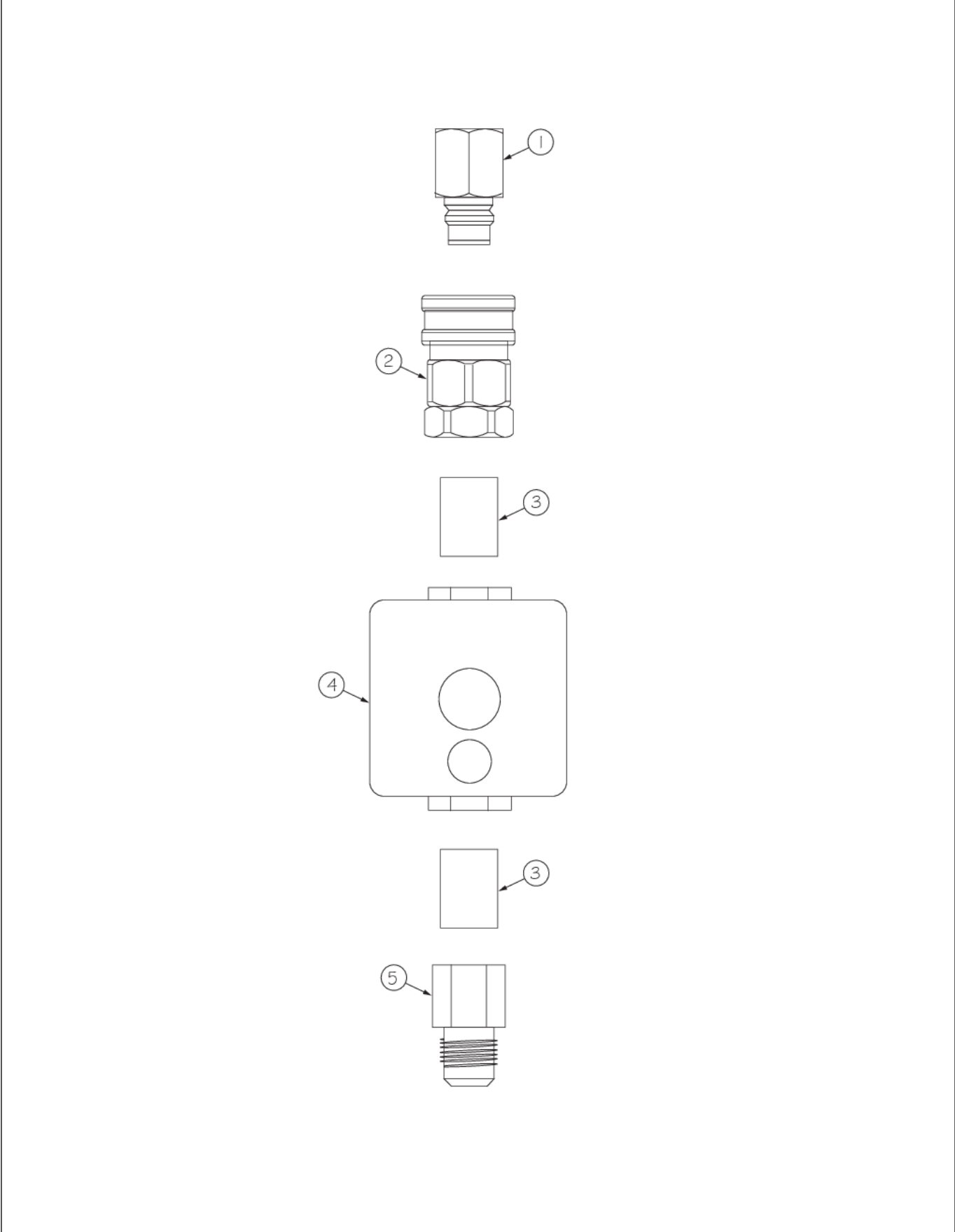






Item	Part No.	Name	Qty	Uom	NOTES
1	PB040146	1/2" X 3/8" FLARE ADAPTER (VGBQ)	2	EA	
2	PB040235	1/2"NPT TO 3/8" FLARE COUPLING	1	EA	
3	PB040046	1/2" CLOSE NIPPLE	2	EA	
4	PA070005	PRESSURE REG.(LP) RV47L-77-10.0	1	EA	
5	PB020227	HIGH PRESSURE LP HOSE	1	EA	
6	PA070007	LP TANK REGULATOR (VGBQ)	1	EA	
7	PA010138	CYLINDER CONNECTION	1	EA	

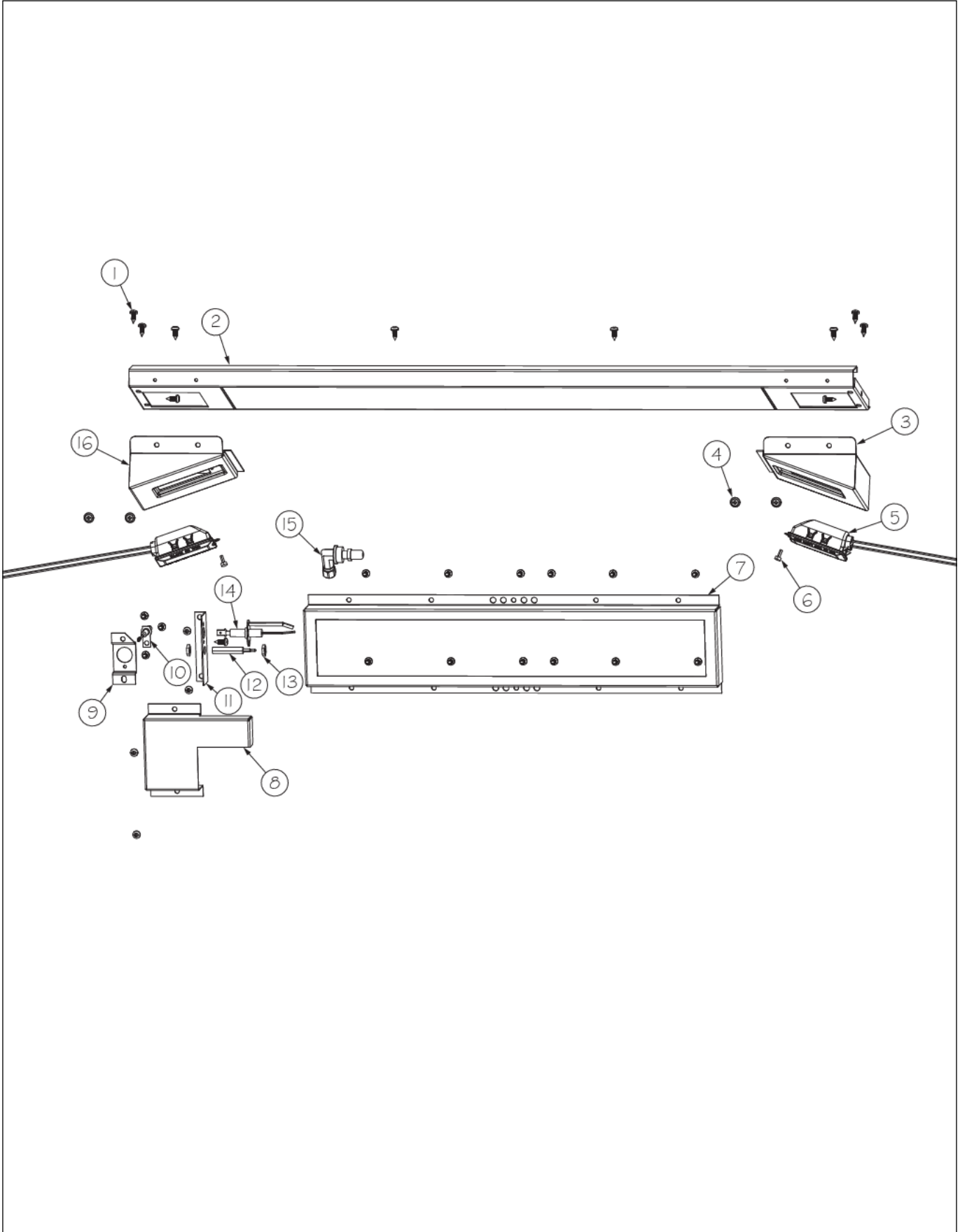
NATURAL GAS REGULATOR ASSEMBLY





Item	Part No.	Name	Qty	Uom	NOTES
1	023653-000	Nipple-Coupler Assy	1	EA	
2	023653-000	Nipple-Coupler Assy	1	EA	
3	PB040046	1/2" CLOSE NIPPLE	2	EA	
4	PA070006	PRESSURE REG.(NAT.)-4"-FOR BBQ GRIL - NLA	1	EA	
5	PB020239	7/8 FLARE TO 1/2 FEMALE CONNECTOR	1	EA	

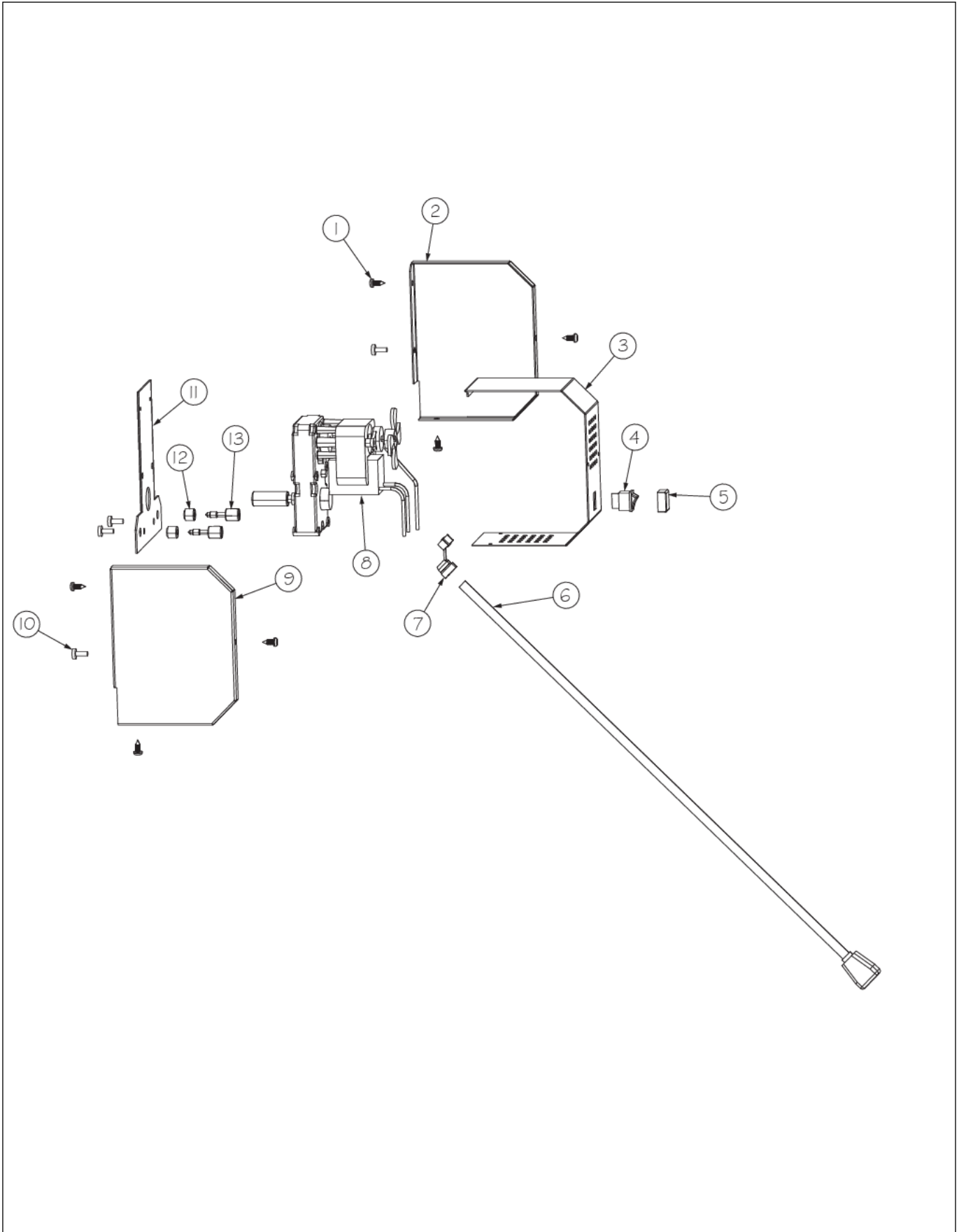
ROTISSERIE BURNER AREA





Item	Part No.	Name	Qty	Uom	NOTES
1	PD020055	' #10 X 1/2" PAN PHIL. TEK.*SS*	30	EA	
2	G91015545	41" FRONT HOUSING WELD ASSY	1	EA	
3	000603-000	GRILL LIGHT HOUSING RH	1	EA	
4	PD020073	SRW #10 X 24 X 3/8 WAFER HD TYPE23	4	EA	
5	001310-000	120V HALOGEN LIGHT	2	EA	
6	PD020067	' #6 X 3/8" PAN PHIL. TEK *SS*	2	EA	
7	B2005347	I/R Frame	1	EA	
8	B20015402	I/R IGNITOR COVER LH	1	EA	
9	B20015401	FLEX IGNITER STAND OFF	1	EA	Not available online / Call for pricing and availability
10	PB040280	FLEXIBLE ROTISSERIE IGNITOR	1	EA	
11	B20015403	IR IGNITOR BRACKET	1	EA	
12	PB010162	THERMOCOUPLE - BBQ GRILL W/ ROTIS	1	EA	
13	PD030048	THERMOCOUPLE NUT M08- VGBQ-8743300007	2	EA	
14	PB040160	WOK IGNITER	1	EA	
15	PB040124	90 DEG. ORIFICE FITTING	1	EA	
16	000602-000	GRILL LIGHT HOUSING LH	1	EA	

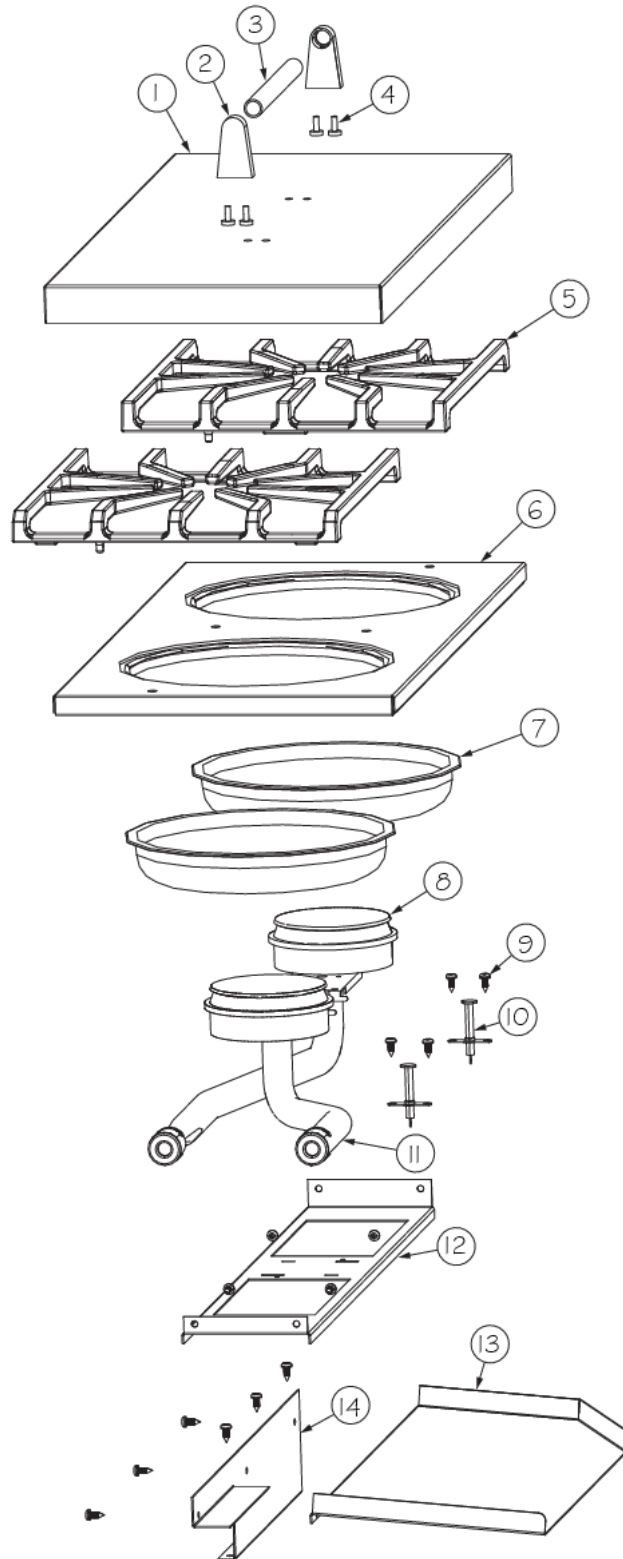
ROTISSERIE MOTOR ASSEMBLY





Item	Part No.	Name	Qty	Uom	NOTES
1	PD020055	' #10 X 1/2" PAN PHIL. TEK.*SS*	6	EA	
2	B2005285	PHASE II ROTIS BOX FRONT	1	EA	
3	B2005286	PHASE II ROTIS COVER	1	EA	
4	PE050051	ROTIS SWITCH	1	EA	
5	PE050046	ROTIS SWITCH BOOT	1	EA	NO LONGER AVAILABLE
Not Shown	NOTE	(MUST ORDER ITEM 4)		EA	
6	PE070189	ELECTRICAL SUPPLY CORD - BBQ GRILL	1	EA	
7	PD040044	SNAP THRU BUSHING 1/4"DIA CORD	1	EA	
8	PE070184	ROTISSERIE MOTOR	1	EA	
9	B2005284	PHASE II ROTIS BOX FRONT	1	EA	
10	PD020056	' #10-24 X 1/2" PH.TR. M.S. *SS*	4	EA	
11	B1005283	ROTIS. MOUNTING PLATE (PHASE 2)	1	EA	
12	PD030064	CAPTURE NUT 1/4" #20	2	EA	
13	PD010090	ROTIS FASTENER KNOB	2	EA	
NI	G3205282	ROTIS MOTOR ASSEMBLY (PHASE 2)	1	EA	
Not Shown	NOTE	(INCLUDES ITEMS 1 THRU 13)		EA	

SIDE BURNER AREA

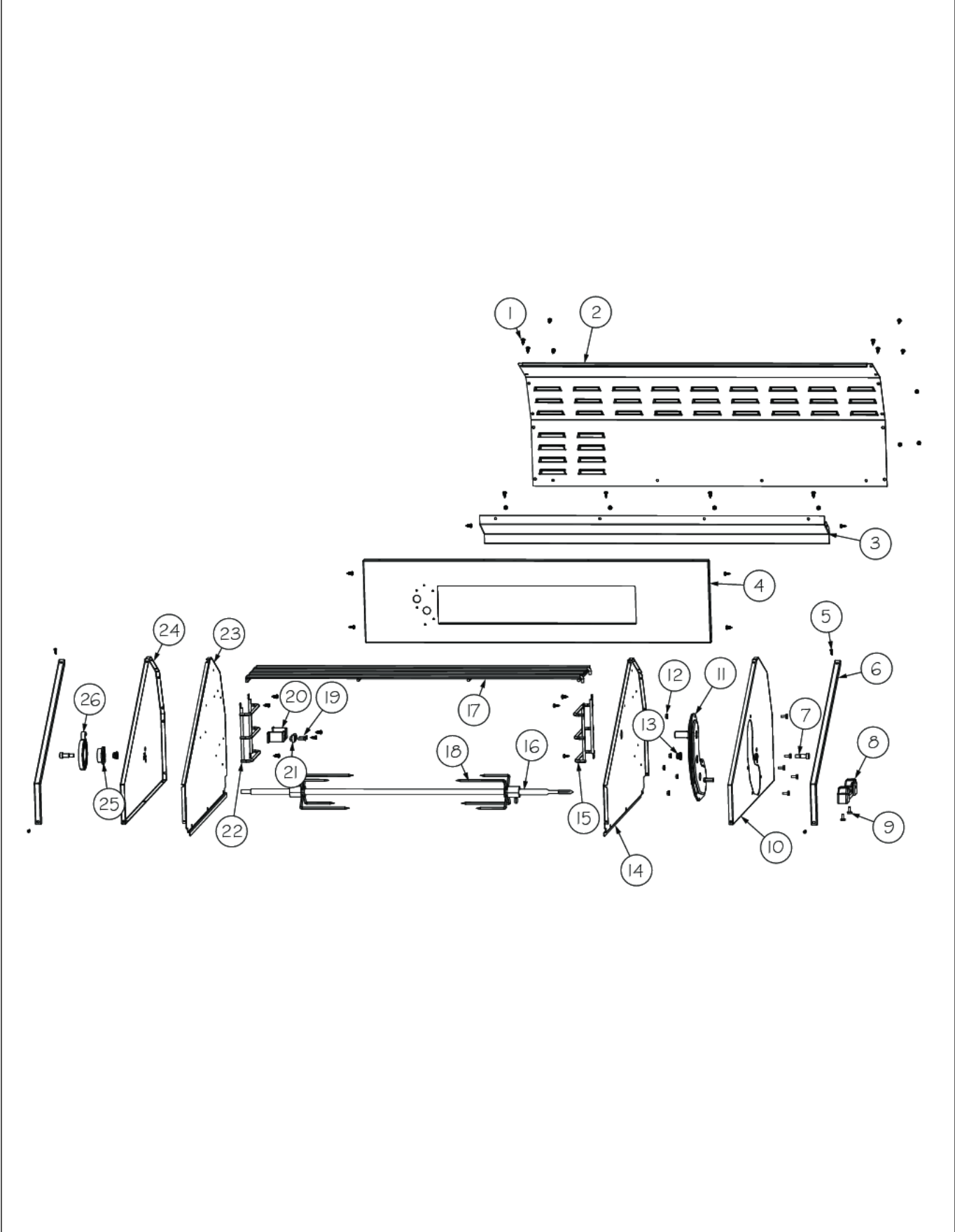




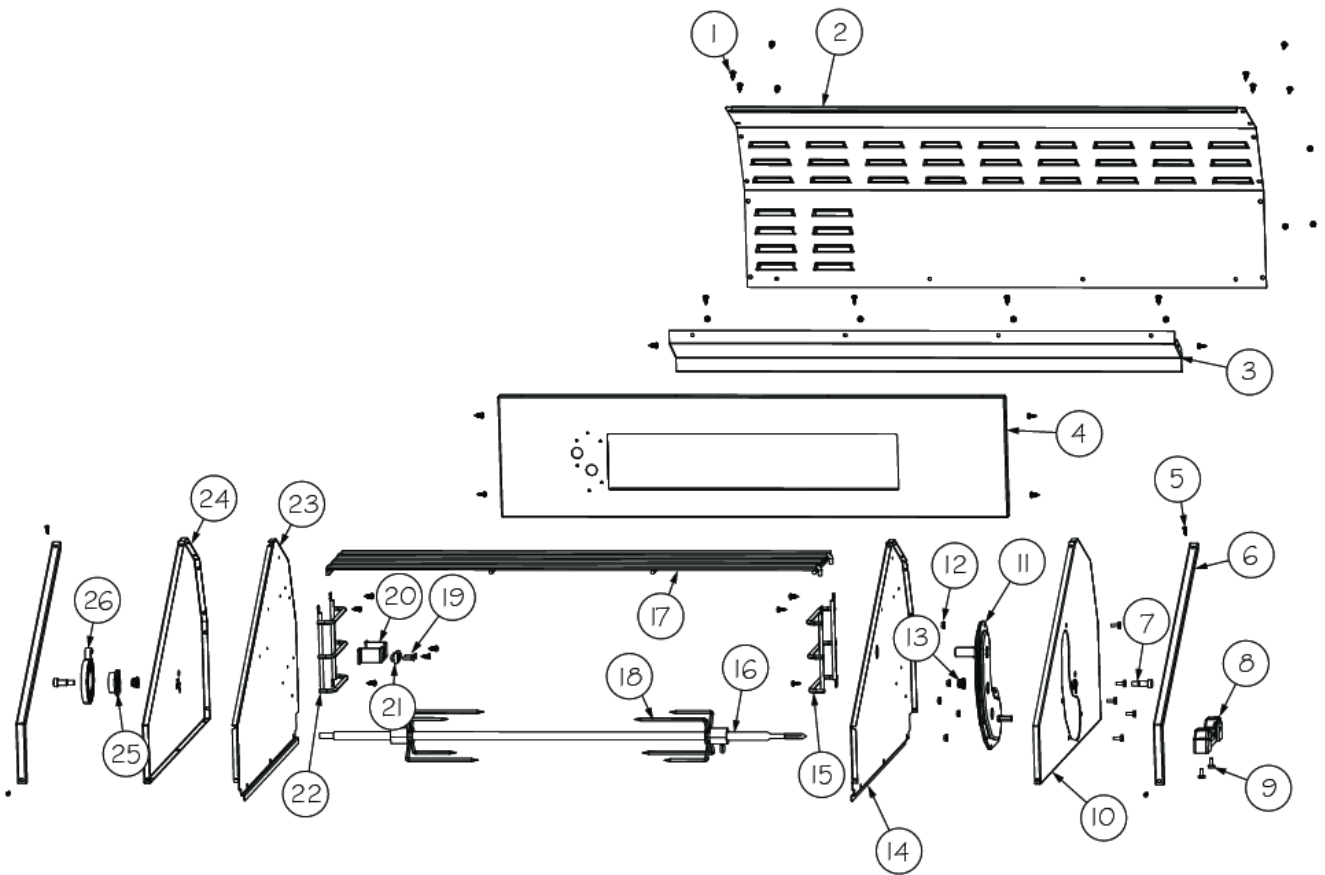


Item	Part No.	Name	Qty	Uom	NOTES
1	004459-000	GRILL SIDE BURNER COVER	1	EA	
2	PE030187	HANDLE END CAP *CHROME* OUTDOOR CABINET	1	EA	
3	PE030197	VGIQ30 COVER HANDLE	1	EA	
4	PD020056	' #10-24 X 1/2" PH.TR. M.S. *SS*	1	EA	
5	003082-000	OUTDOOR SPIDER GRATE	1	EA	
6	004462-000	53" GRILL SIDE BURNER GRATE SUPPORT	1	EA	
7	PA030002	BURNER BOWL (VGBQ) *SS*	1	EA	
8	004277-000	SS BURNER ASM, FRONT SIDE	1	EA	
9	PD020055	' #10 X 1/2" PAN PHIL. TEK.*SS*	14	EA	
10	PA020028	SPARK IGNITER	1	EA	
11	004278-000	SS BURNER ASM, REAR TOP	1	EA	
12	B2005260	PHASE II BURNER SUPPORT	1	EA	
13	B20015507	GREASE DIVERTER	1	EA	
14	B20015506	SIDE BURNER DRIP SHIELD	1	EA	

UPPER GRILL AREA



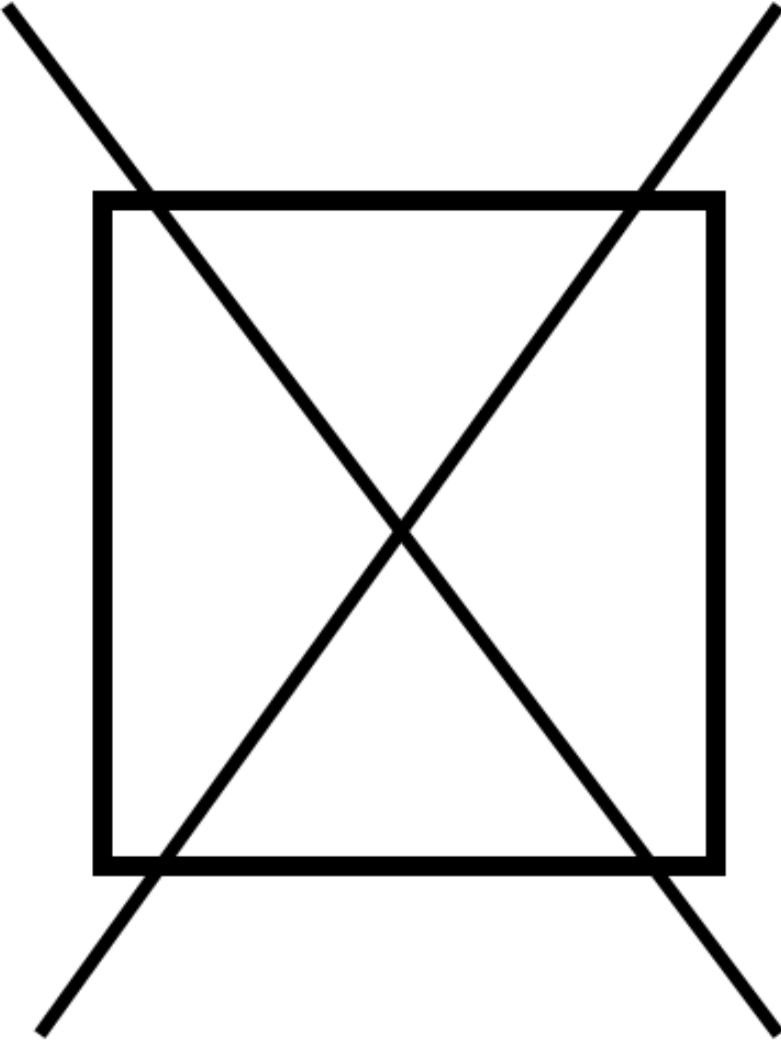
Item	Part No.	Name	Qty	Uom	NOTES
1	PD020055	' #10 X 1/2" PAN PHIL. TEK.*SS*	36	EA	
2	003653-000	41" GRILL REAR COVER	1	EA	Not available online / Call for pricing and availability
3	E91014431	FRONT HOUSING BOTTOM 41"	1	EA	
4	G91015545	41" FRONT HOUSING WELD ASSY	1	EA	
5	000394-000	#8 SS TECH SCREW - COUNTERSINK - NLA	4	EA	NO LONGER AVAILABLE
6	B20015574	GRILL WINDSHIELD TRIM	2	EA	
7	PD010043	5/16INCH SHOULDER BOLT (PHASE 2)	2	EA	
8	PB060055	Rotis. Mount Casting	1	EA	
9	PD020056	' #10-24 X 1/2" PH.TR. M.S. *SS*	7	EA	
10	B20015575	OUTSIDE WINDSHIELD - RH	1	EA	
11	PC070024	ROTIS. GEAR BOX ASSY	1	EA	
12	PD030044	10-24 KEPS NUT *SS*	5	EA	
13	G5005257	O/S Windshield Assy - LH	2	EA	
14	B20015418	INSIDE WINDSHIELD RH	1	EA	Not available online / Call for pricing and availability
15	PB060112	WARMING RACK SUPPORT RH	1	EA	
16	PB060053	Spit Rod	1	EA	
17	PB060056	Warming Rack	1	EA	
18	032881-000	FORK, RTSR	2	EA	
19	PD020082	10 X 24 COUNTERSUNK S.S. SCREW	2	EA	
20	PC020025	DRIP TRAY WHEEL	1	EA	
21	B2005278	ROTISSERIE ROLLER BRACKET (PHASE 2)	1	EA	
22	PB060113	WARMING RACK SUPPORT LH	1	EA	
23	B20015419	INSIDE WINDSHIELD LH	1	EA	Not available online / Call for pricing and availability
24	B20015576	OUTSIDE WINDSHIELD-LH	1	EA	
25	005942-000	SPRING INDEX	1	EA	





Item	Part No.	Name	Qty	Uom	NOTES
26	003746-000	FLAT TORSION SPRING FOR OUTDOOR GRILL CANOPY	1	EA	

# NON ILLUSTRATED PART





Item	Part No.	Name	Qty	Uom	NOTES
NI	PE070812	WIRE HARNESS (VGBQ5323RE)	1	EA	
NI	G4006379	WIRE ASSY (VGBQ-T SERIES) 25"	2	EA	
NI	G40016227	IGNITOR WIRE 18"	1	EA	
NI	G40016229	IGNITOR WIRE 34"	2	EA	
NI	G40016234	IGNITOR WIRE 22"	1	EA	
NI	G40016228	IGNITOR WIRE 25"	1	EA	
NI	025323-000	HARNESS, WIRE, ROTISSERIE	1	EA	
NI	006017-000	LED WIRE 4.875	3	EA	
NI	006018-000	LED WIRE 8.75 - NLA	2	EA	
NI	006019-000	LED WIRE 10.75 - NLA	1	EA	
NI	006105-000	LED WIRE 11.50"	1	EA	
NI	006385-000	53" WIRE ASSEMBLY	1	EA	



Appendix A:Pages Index

BURNER BOX AREA ..... 1  
BURNER GRATE AREA ..... 2  
CANOPY ASSEMBLY ..... 3  
CONTROL AREA ..... 4  
DRIP TRAY ..... 5  
LP GAS REGULATOR ASSEMBLY ..... 6  
NATURAL GAS REGULATOR ASSEMBLY ..... 7  
ROTISSERIE BURNER AREA ..... 8  
ROTISSERIE MOTOR ASSEMBLY ..... 9  
SIDE BURNER AREA ..... 10  
UPPER GRILL AREA ..... 11  
WIRING ..... 12





Appendix B:Parts Index

000268-000	3	006067-000	4
000394-000	11	006105-000	12
000602-000	8	006385-000	12
000603-000	8	006390-000	4
001310-000	8	006757-000	2
002353-000	1	007215-000	3
002354-000	1	007379-000	3
002355-000	1	007657-000	4
002369-000	2	007676-000	2
002370-000	2	008091-000	2
002671-000	1	008180-000	1
002884-000	4	008181-000	2
003082-000	10	008327-000	1
003366-000	3	019962-000	1
003561-000	4	023653-000	7, 7
003562-000	4	025323-000	12
003563-000	4	027596-000	2
003630-000	3	032881-000	11
003632-000	3	046328-000	4
003633-000	3	050172-000	4
003636-000	3	A20015410	1
003637-000	3	A20015412	1
003653-000	11	B1005283	9
003746-000	11	B20011414	1
004093-000	1	B20015401	8
004276-000	2	B20015402	8
004277-000	10	B20015403	8
004278-000	10	B20015418	11
004459-000	2, 10	B20015419	11
004460-000	2	B20015506	10
004462-000	10	B20015507	10
005941-000	3	B20015508	1
005942-000	11	B20015511	1
005999-000	4	B20015515	2
006010-000	2	B20015574	11
006011-000	2	B20015575	11
006017-000	12	B20015576	11
006018-000	12	B2005203	1
006019-000	12	B2005204	1
006021-000	4	B2005244	1
		B2005246	1



B2005248	2	PB020115	2
B2005260	10	PB020227	6
B2005278	11	PB020239	7
B2005284	9	PB040046	6, 7
B2005285	9	PB040124	8
B2005286	9	PB040146	6
B2005309	5	PB040160	8
B2005316	5	PB040235	6
B2005317	5	PB040280	8
B2005347	8	PB060053	11
B2006305	1	PB060055	11
B30015552	1	PB060056	11
E91014431	11	PB060112	11
G3005214	5, 5	PB060113	11
G3205282	9	PC020025	5, 11
G3205305	5	PC070024	11
G3208947	2	PD010012	4
G40016227	12	PD010043	11
G40016228	12	PD010090	9
G40016229	12	PD020014	1
G40016234	12	PD020048	2
G4006379	12	PD020055	1, 2, 3, 4, 5, 8, 9, 10, 11
G5005257	11	PD020056	2, 3, 4, 5, 9, 10, 11
G91015545	8, 11	PD020067	2, 4, 4, 8
J2101749	5	PD020069	3
L1004882	1	PD020073	4, 8
L1005398	1	PD020082	5, 11
PA010138	6	PD030006	4
PA020028	10	PD030044	2, 5, 5, 11
PA020045	4	PD030048	8
PA020047	1	PD030050	4
PA030002	10	PD030064	9
PA050068	4	PD040004	5
PA070005	6	PD040010	3
PA070006	7	PD040044	1, 9
PA070007	6	PE010142	4
PA080051	2	PE030040	3
PB010162	8	PE030187	2, 10
PB010163	4	PE030197	2, 10
PB010337	3	PE050019	4
PB020114	2	PE050046	9



PE050051 .....	9
PE050063 .....	4
PE070184 .....	9
PE070189 .....	9
PE070791 .....	1
PE070812 .....	12
PE070855 .....	1
PK010061 .....	2
PK010065 .....	4