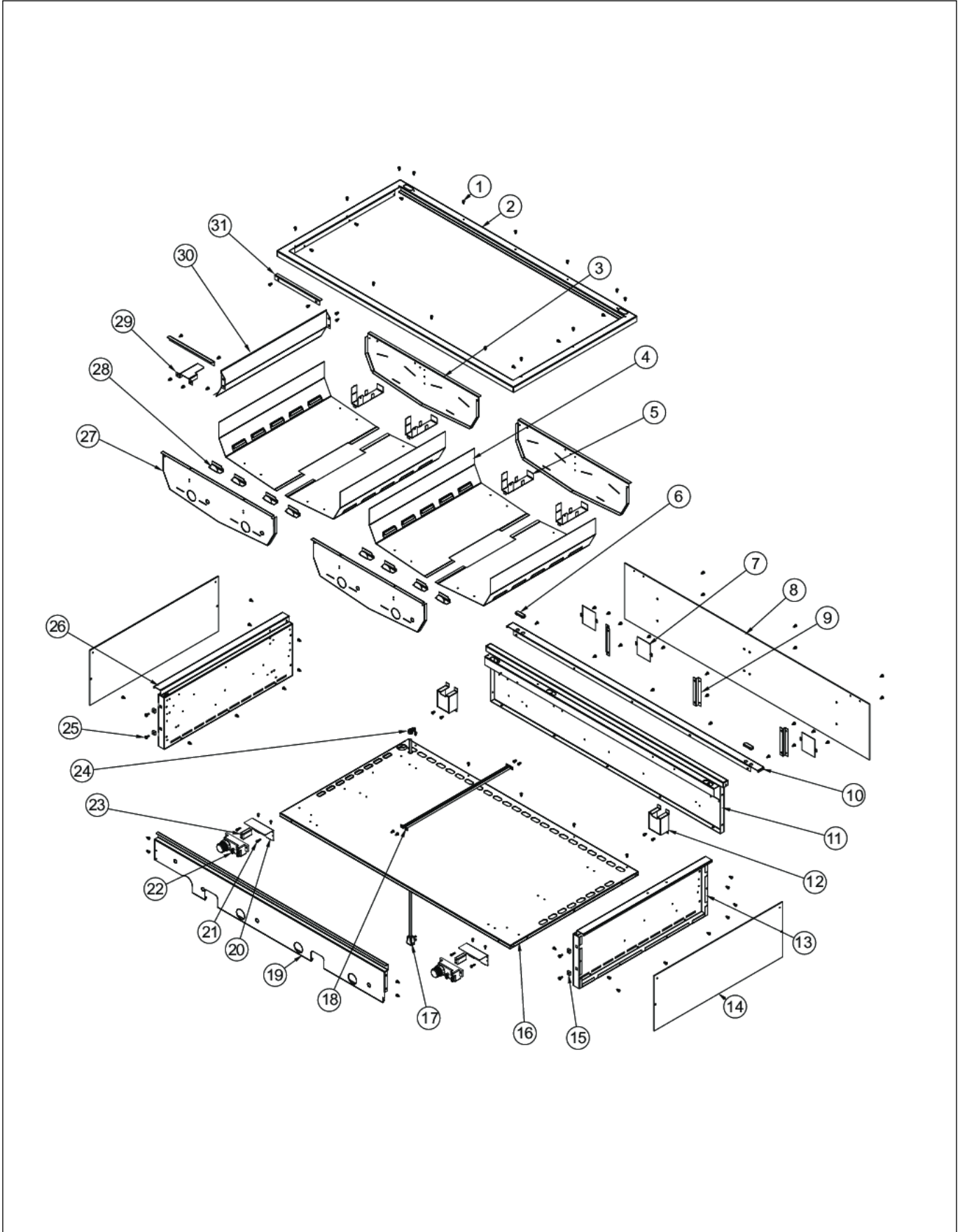


VGIQ5304RT2

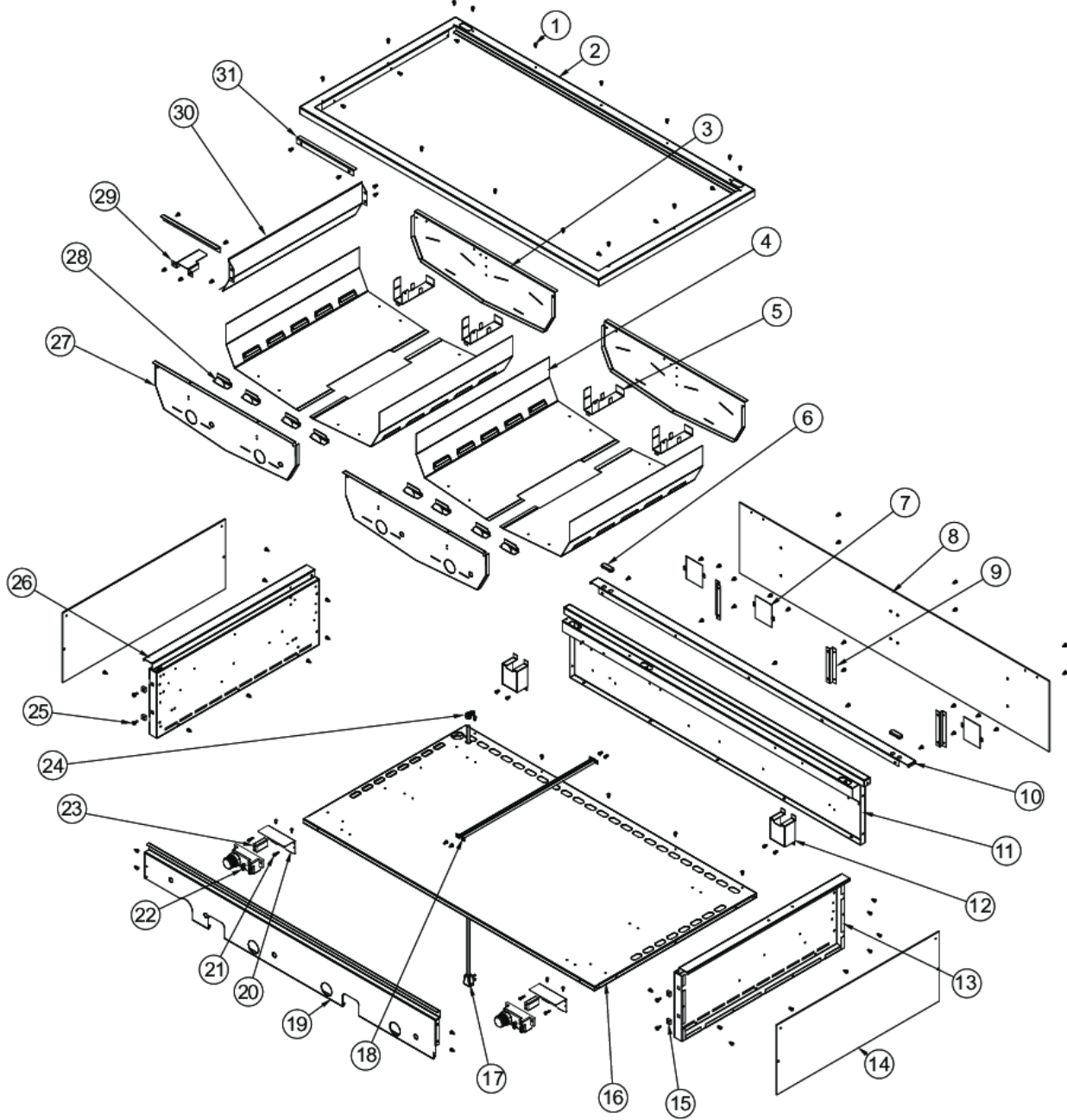
BURNER BOX AREA	1
BURNER GRATE AREA	2
CANOPY AREA	3
CONTROL PANEL	4
DRIP TRAY	5
HARNESS, WIRE, ROTISSERIE	6
LP CONNECTION SERVICE KIT	7
ROTISSERIE BURNER AREA	8
ROTISSERIE MOTOR ASSEMBLY	9
UPPER GRILLE AREA	10
WIRE ASSY 10	11
WIRE ASSY 15	12
WIRE ASSY 25	13
WIRE ASSY 7	14
Appendix A:Pages Index	A
Appendix B:Parts Index	B

BURNER BOX AREA





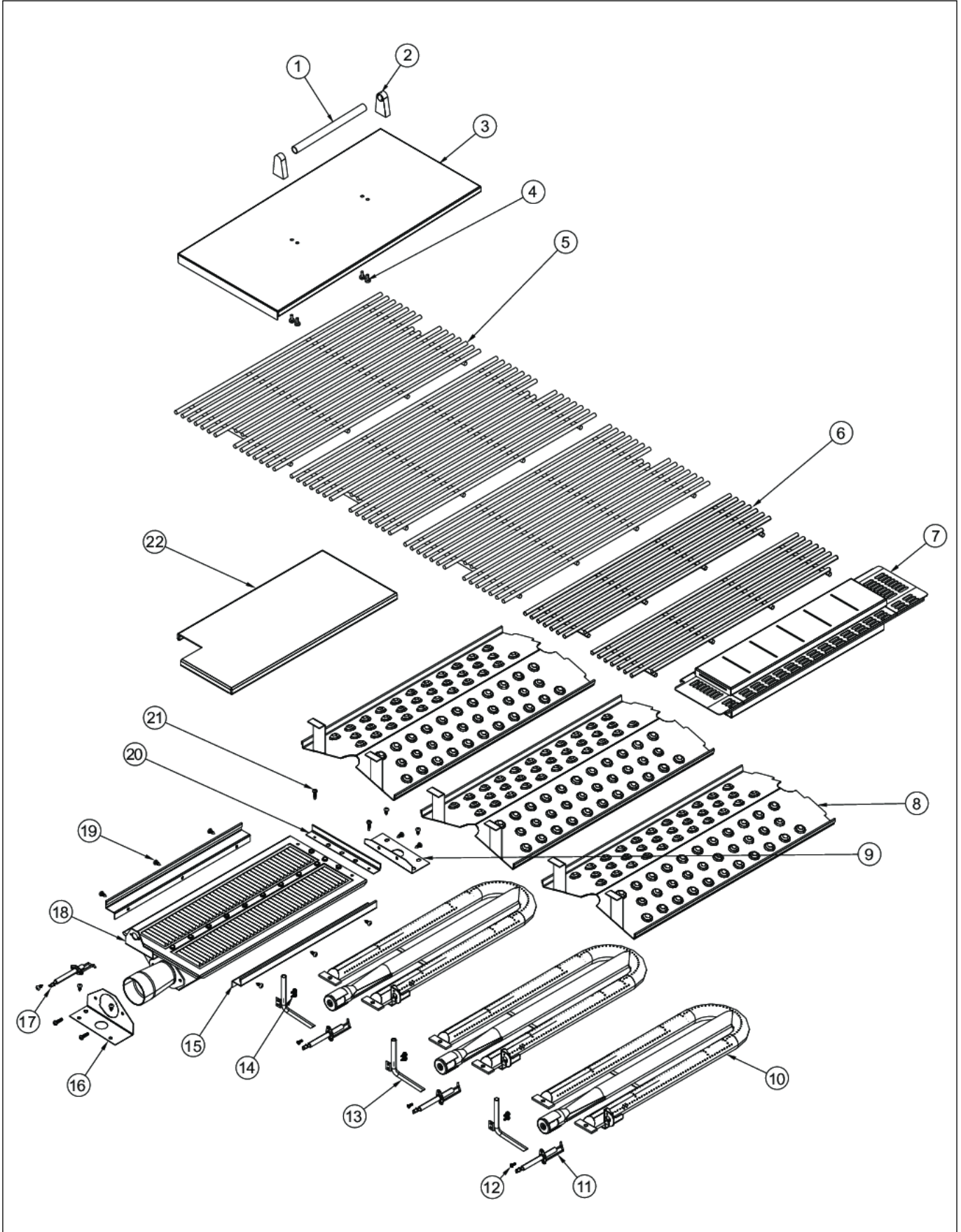
Item	Part No.	Name	Qty	Uom	NOTES
1	PD020055	' #10 X 1/2" PAN PHIL. TEK.*SS*	79	EA	
2	B20015514	GRILL FRAME 53" - NLA	1	EA	
3	025544-000	BOX, BNR, BACK, 30"	2	EA	
4	025543-000	BOX, BRN, BOT, 30"	4	EA	
5	006010-000	GRILL BURNER REAR BRACKET	4	EA	
6	002671-000	RUBBER DOOR BUMPER	2	EA	
7	002354-000	GRILL PLUG PLATE	3	EA	NO LONGER AVAILABLE, Not available online / Call for pricing and availability
8	L1004882	REAR HEAT SHIELD - 53""	1	EA	
9	B2006305	HEAT SHIELD BRACKET	3	EA	
10	003858-000	5304 GRILL REAR TRIM	1	EA	
11	B20015511	GRILL BOX BACK 53"	1	EA	
12	002355-000	GRILL RECEPTACLE BOX	2	EA	
13	B2005203	Grill Box Side - RH	1	EA	
14	L1005398	Side Heat Shield	2	EA	
15	PD030050	10-24 CAGE NUT *SS*	4	EA	
16	B20015508	GRILL BOX BOTTOM 53"	1	EA	
17	PE070791	GRILL POWER SUPPLY CORD (8 FT)	1	EA	
18	B2005244	BURNER BOX CENTER TRIM	1	EA	
19	025566-000	SUPPORT, GRL, FR, 53"	1	EA	
20	B2005250	SPARK MODULE BRACKET (PHASE 2)	2	EA	
21	PD020166	#10 X 3/4" PAN PHIL. TEK. *SS*	4	EA	NO LONGER AVAILABLE
22	PA020036	SPARK MODULE	2	EA	
23	PM010049	SPARK MODULE BATTERY PHASE II	2	EA	
24	PD040044	SNAP THRU BUSHING 1/4"DIA CORD	1	EA	
25	PD020056	' #10-24 X 1/2" PH.TR. M.S. *SS*	4	EA	
26	B2005204	Grill Box Side - LH	1	EA	
27	025542-000	BOX, BNR, FR, 30"	2	EA	





Item	Part No.	Name	Qty	Uom	NOTES
28	006011-000	GRILL BURNER FRONT BRACKET	8	EA	
29	B2008939	IR SPARK IGNITOR COVER	1	EA	
30	B20011414	BURNER BOX DIVIDER (VGIQ300T)	1	EA	
31	B2008936	GRATE SPACER	2	EA	NO LONGER AVAILABLE, Not available online / Call for pricing and availability
NI	025545-000	BOX, BNR, ASM, 30"	1	EA	
Not Shown	NOTE	(RH BURNER BOX ASM)		EA	
NI	025560-000	BOX, BRN, ASM, 30" IQ	1	EA	
Not Shown	NOTE	(LH BURNER BOX ASM)		EA	

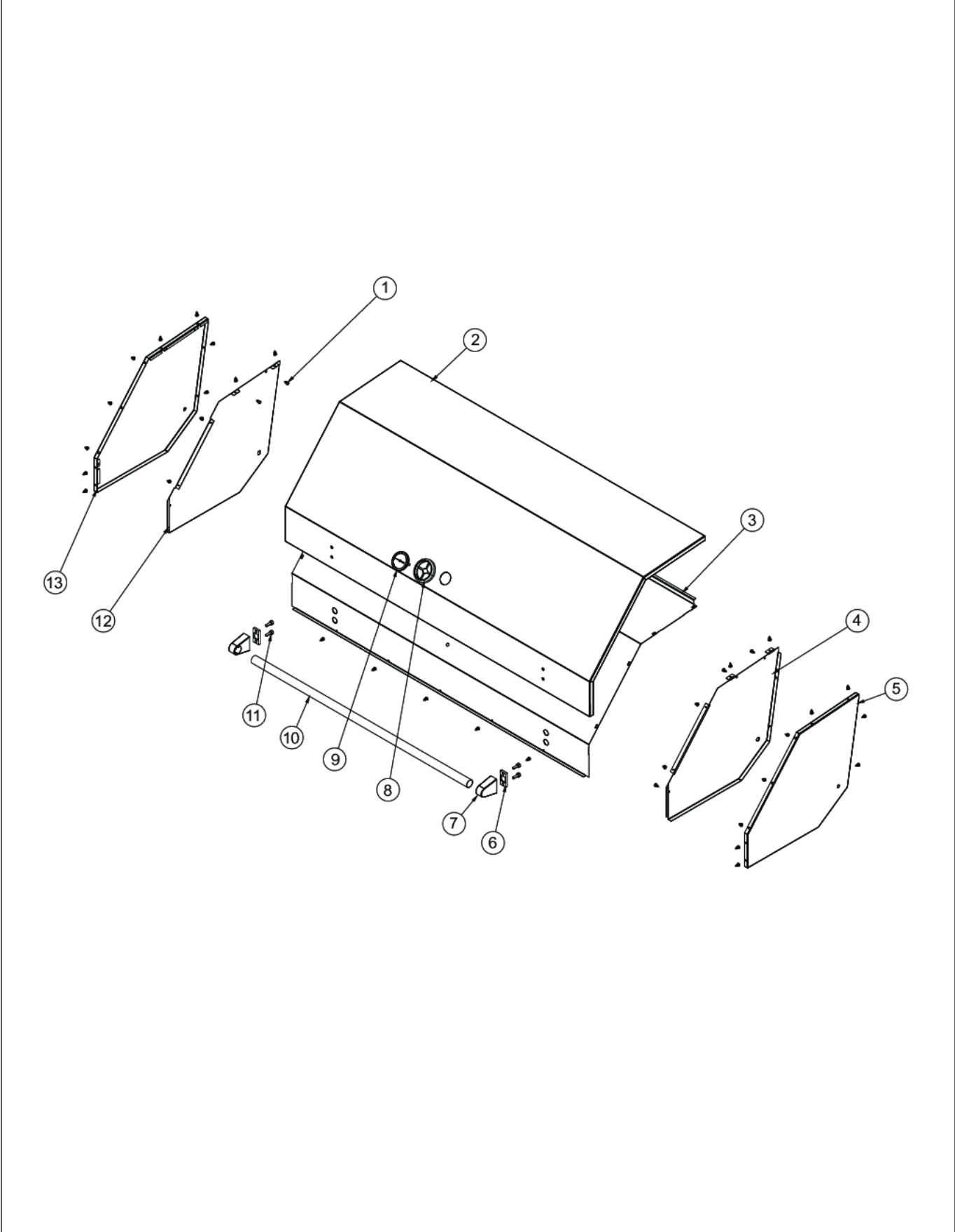
BURNER GRATE AREA





Item	Part No.	Name	Qty	Uom	NOTES
1	PE030197	VGIQ30 COVER HANDLE	1	EA	
2	PE030187	HANDLE END CAP *CHROME* OUTDOOR CABINET	2	EA	
3	B20015415	VGIB151/VGIQ COVER	1	EA	
4	PD020056	' #10-24 X 1/2" PH.TR. M.S. *SS*	4	EA	
5	PA060052	Full Grill Grate	3	EA	
5	PA060068	FULL GRATE *SS*	3	EA	
6	PA060053	1/2 Grill Grate	2	EA	
6	PA060069	Half Grate SS	2	EA	
7	027596-000	BOX, SMOKER ASM	1	EA	
8	024157-000	SHIELD, GRS	2	EA	
9	B2008932	BACK BURNER BRACKET	1	EA	
10	023000-000	BURNER, GRL, ASM, U	2	EA	
11	008091-000	PB040288 IGNITOR KIT	3	EA	
12	004706-000	MACHINE SCREW, 6-32 x 3/8, PAN HD, PHILLIPS	3	EA	
14	037304-000	FASTENER, PNH, TORX, AB, PSVD, WAX	6	EA	
13	PB020114	FLASH TUBE (VGBQ3002T)	3	EA	
15	B2008925	SIDE SCREEN RAIL	2	EA	
16	B2008931	52" FRONT BURNER BRACKET	1	EA	
17	008091-000	PB040288 IGNITOR KIT	1	EA	
18	G3208933	IR BURNER ASSY	1	EA	
19	PD020055	' #10 X 1/2" PAN PHIL. TEK.*SS*	14	EA	
20	B2008962	BACK SCREEN RAIL	1	EA	
21	PD020166	#10 X 3/4" PAN PHIL. TEK. *SS*	4	EA	NO LONGER AVAILABLE
22	B2008943	GREASE SCREEN	1	EA	
NI	025701-000	BURNER, GRL, ASM	3	EA	
Not Shown	NOTE	(INCLUDES ITEMS 10, 11, & 12)		EA	
NI	G32015421	IR COVER ASSY (VGIQ30)	1	EA	
Not Shown	NOTE	(INCLUDES ITEMS 1, 2, 3, & 4)		EA	

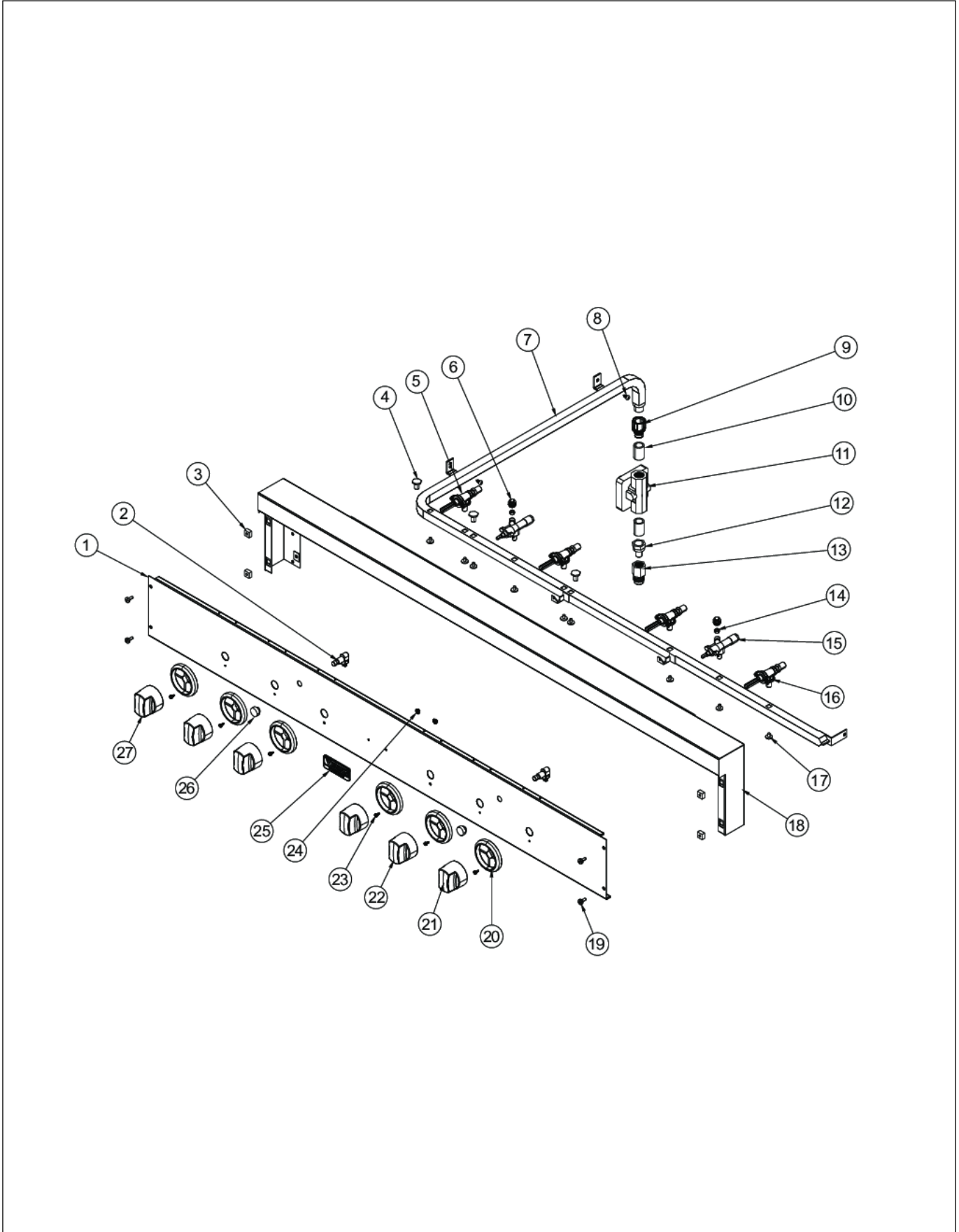
CANOPY AREA



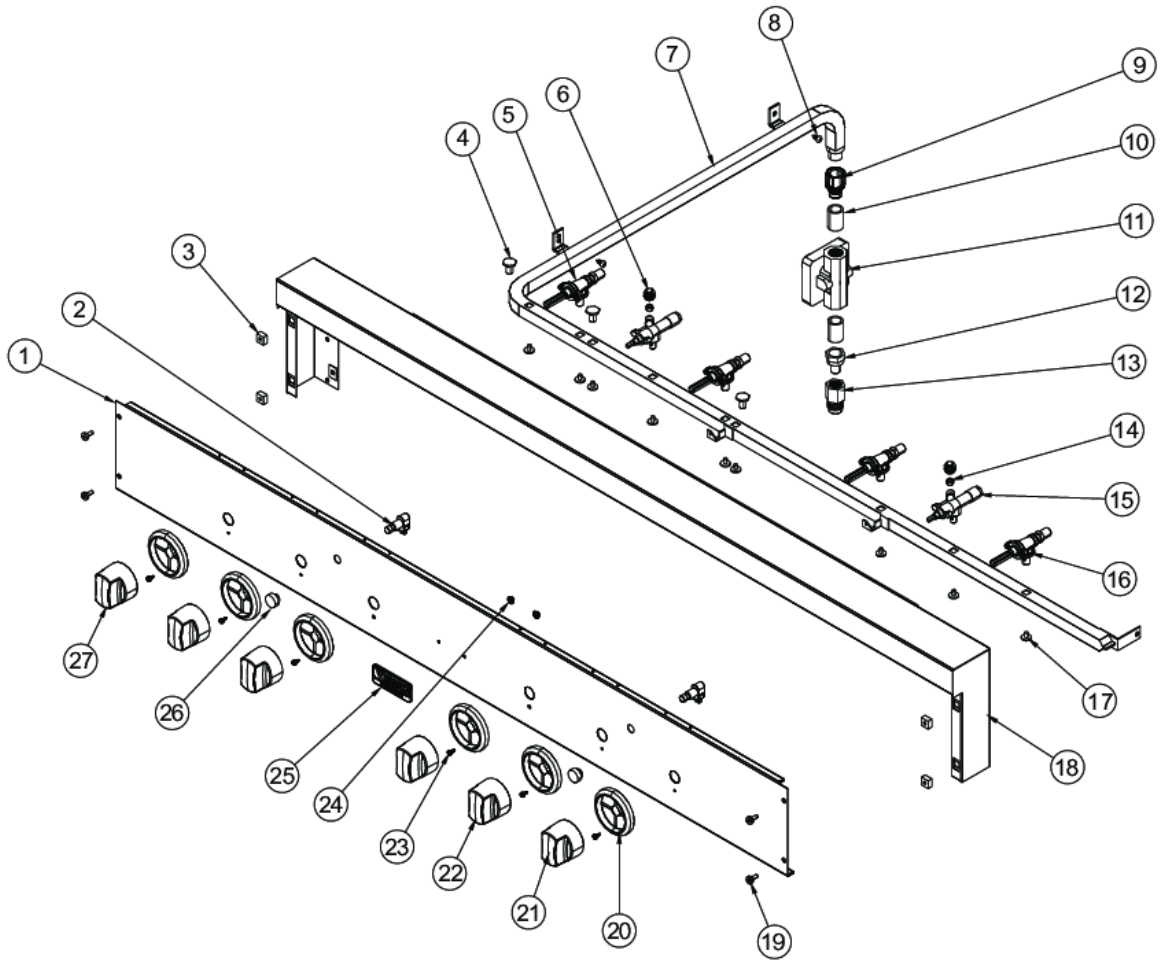


Item	Part No.	Name	Qty	Uom	NOTES
1	PD020055	' #10 X 1/2" PAN PHIL. TEK.*SS*	37	EA	
2	026242-000	HOOD, GRL, OTR, 41	1	EA	
3	003639-000	53" CANOPY HEAT SHIELD	1	EA	
4	006667-000	GRILL CANOPY INSIDE LH	1	EA	
5	003630-000	GRILL CANOPY OUTSIDE RH	1	EA	
6	PD040010	DOOR HANDLE SPACER	2	EA	
7	000268-000	HANDLE ENDCAP	2	EA	
8	050172-000	BEZEL, KNOB	1	EA	
9	042720-000	GAUGE, BMTL, TEMPERATURE	1	EA	
10	PE030040	DOOR/CNPY HNDLE - RPLCS PE930090	1	EA	NO LONGER AVAILABLE
11	PD020069	CAP SCREW 1/4-20 X 3/4 SS	4	EA	
12	006666-000	GRILL CANOPY INSIDE RH	1	EA	
13	003632-000	GRILL CANOPY OUTSIDE LH	1	EA	Not available online / Call for pricing and availability
NI	026005-000	HOOD ASM, GRILL, 53"	1	EA	
Not Shown	NOTE	(INCLUDES ITEMS 1 - 13)		EA	

CONTROL PANEL



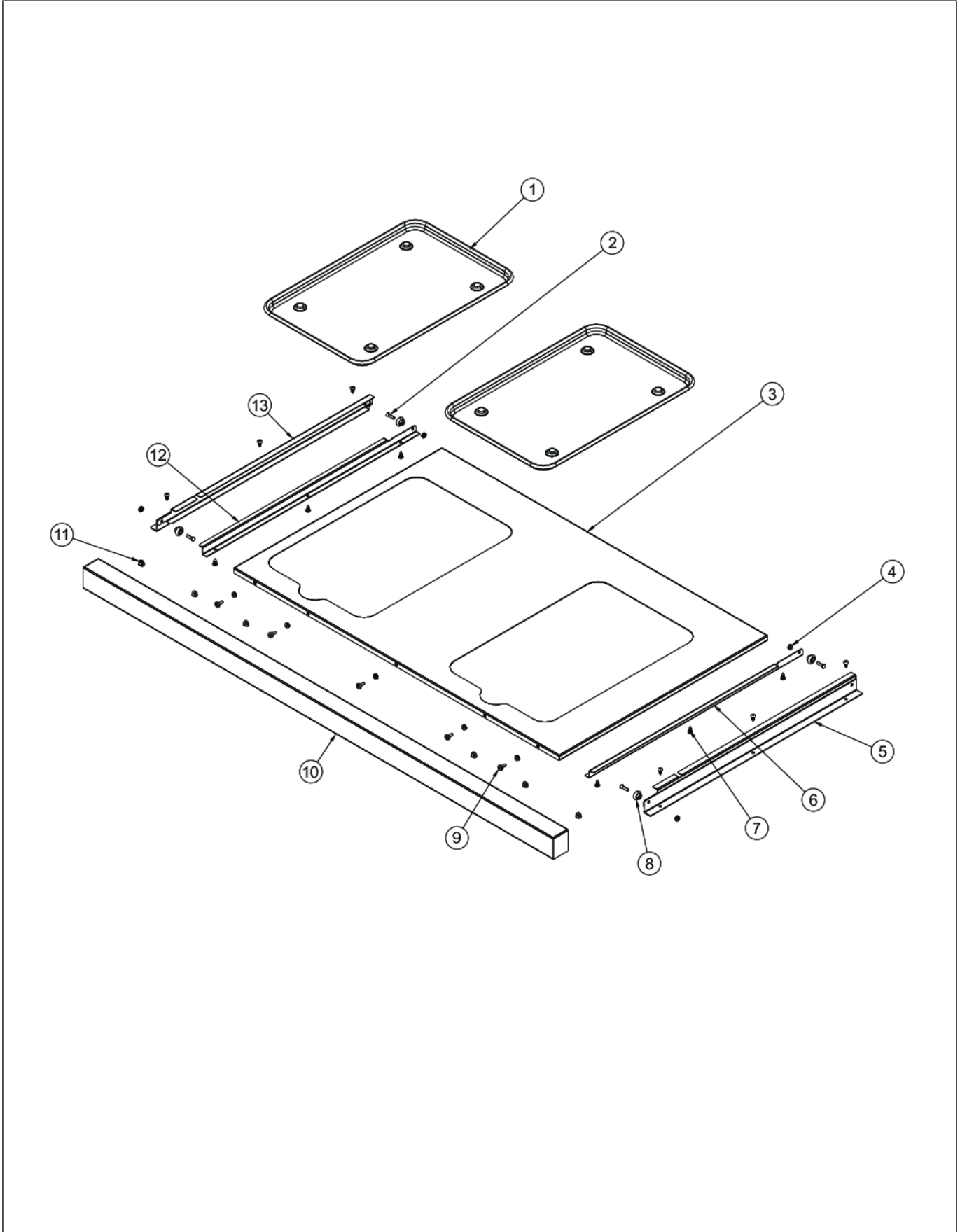
Item	Part No.	Name	Qty	Uom	NOTES
1	026003-000	CONTROL PANEL, VGIQ5304RT2	1	EA	
2	PE050063	SPARKER SWITCH (PHASE 2)	2	EA	
3	PD030050	10-24 CAGE NUT *SS*	4	EA	
4	002884-000	MANIFOLD PLUG	3	EA	
5	008773-000	VALVE, GAS ASM - NAT.	1	EA	
5	008772-000	VALVE, GAS ASM - LP	1	EA	
6	PB040228	FITTING BRASS COMPRESSION NUT	2	EA	
7	025723-000	MANIFOLD, GRL, 53"	1	EA	
8	PD020055	' #10 X 1/2" PAN PHIL. TEK.*SS*	2	EA	
9	023653-000	Nipple-Coupler Assy	1	EA	
10	PB040046	1/2" CLOSE NIPPLE	2	EA	
11	PA070006	PRESSURE REG.(NAT.)-4"-FOR BBQ GRIL - NLA	1	EA	
12	023653-000	Nipple-Coupler Assy	1	EA	
13	PB020239	7/8 FLARE TO 1/2 FEMALE CONNECTOR	1	EA	
14	PB040263	5/16 FERRULE	2	EA	
15	046328-000	NATURAL ROTIS VALVE - KNOB KIT	2	EA	
16	014952-000	VALVE, GAS, ASM, U BNR #40	3	EA	
16	014953-000	VALVE, GAS, ASM, U BNR - LP #54	3	EA	
17	PD010012	1/4 x 3/8 VALVE BOLT	9	EA	
18	G3005221	LANDING LEDGE ASSY - 53	1	EA	
19	PD020056	' #10-24 X 1/2" PH.TR. M.S. *SS*	4	EA	
20	050172-000	BEZEL, KNOB	6	EA	
21	003561-000	OUTDOOR GRILL KNOB	3	EA	
22	003563-000	ROTIS BURNER KNOB	2	EA	
23	020041-000	SCR, DR, PH, PNH, 410 SS, NPLT, 6-20 x 3/8	6	EA	
24	PD030006	CAPPED WASHER PAL NUT	2	EA	
25	015009-000	OUTDOOR LOGO - 3" CHROME	1	EA	
26	PB010163	OVEN LIGHT SWITCH KNOB *BK* (VESO/D	2	EA	





Item	Part No.	Name	Qty	Uom	NOTES
27	003562-000	OUTDOOR IR GRILL KNOB	1	EA	
NI	026000-000	MANIFOLD, GS, ASM, VGIQ5304RT2	1	EA	
Not Shown	NOTE	(INCLUDES ITEMS 4, 5, 7, 9, 15, 16, & 17)		EA	
NI	026754-000	MANIFOLD, LP, GAS ASM, VGIQ5304RT2	1	EA	
Not Shown	NOTE	(INCLUDES ITEMS 1, 2, 20, 23, 24, 25, 26)		EA	
NI	026004-000	CONTROL PANEL, ASM VGIQ5304RT2	1	EA	
Not Shown	NOTE	(INCLUDES ITEMS 1, 2, 20, 23, 24, 25, 26)		EA	

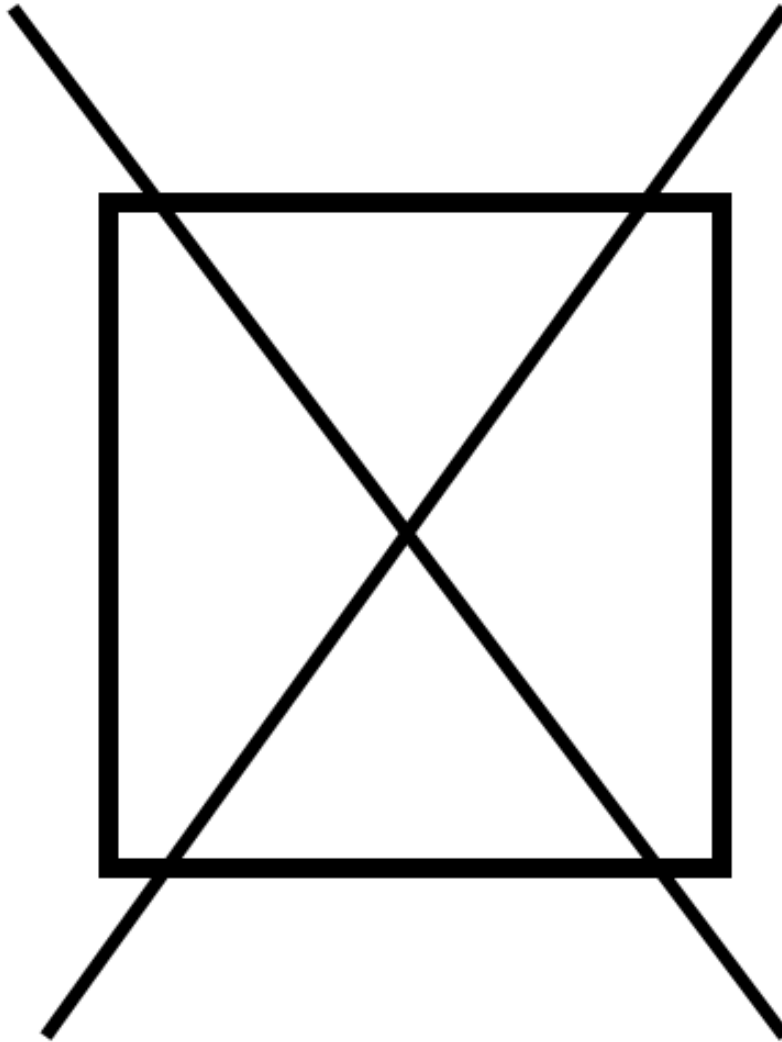
DRIP TRAY





Item	Part No.	Name	Qty	Uom	NOTES
1	J2101749	GREASE PAN	2	EA	
2	PD020082	10 X 24 COUNTERSUNK S.S. SCREW	4	EA	
3	B2005309	DRIP TRAY 41	1	EA	
4	PD030044	10-24 KEPS NUT *SS*	10	EA	
5	G3005215	DRIP TRAY SLIDE - RH	1	EA	
6	B2005316	DRIP TRAY RUNNER RH	1	EA	
7	PD020055	' #10 X 1/2" PAN PHIL. TEK.*SS*	12	EA	
8	PC020025	DRIP TRAY WHEEL	4	EA	
9	PD020056	' #10-24 X 1/2" PH.TR. M.S. *SS*	5	EA	
10	B3005313	53" DRIP TRAY HANDLE	1	EA	
11	PD040004	GROMMET BUMPER	6	EA	
12	B2005317	DRIP TRAY RUNNER LH (PHASE 2)	1	EA	
13	G3005214	DRIP TRAY SLIDE - LH	1	EA	
Not Shown	G3205305	53" DRIP TRAY ASSY	1	EA	
Not Shown	NOTE	(1, 2, 3, 4, 5, 6, 7, 8, 9, 10, 11, 12, & 13)		EA	

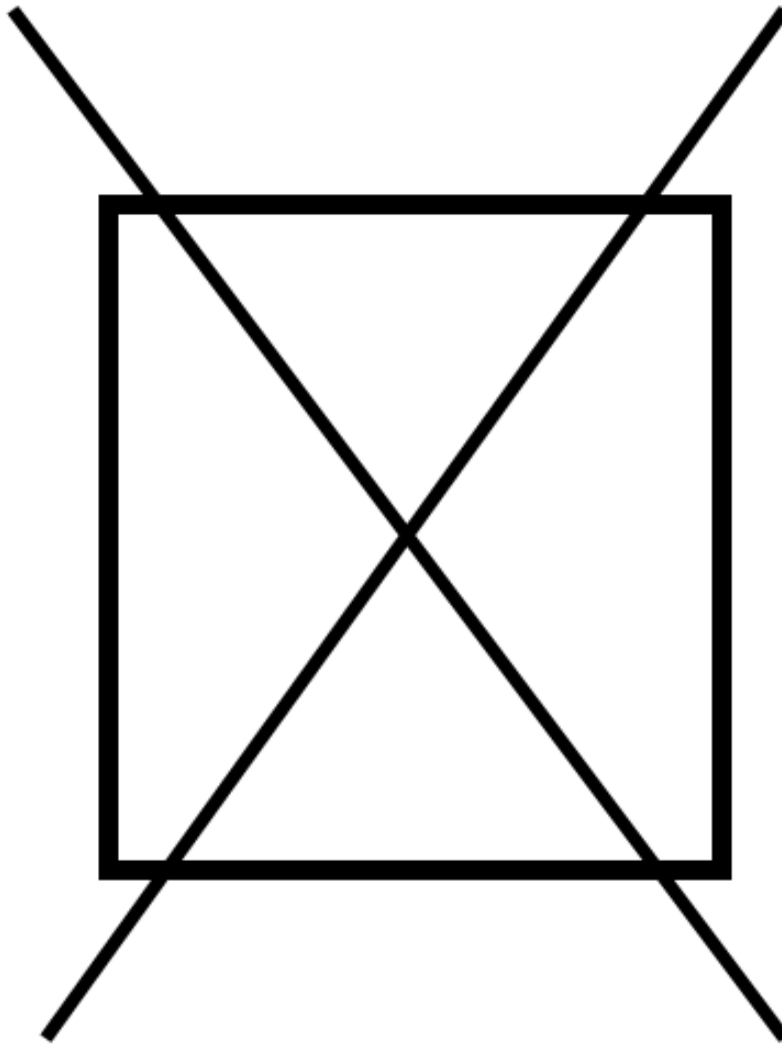
NON
ILLUSTRATED PART





Item	Part No.	Name	Qty	Uom	NOTES
NI	025322-000	HARNESS, WIRE, ROTISSERIE	2	EA	

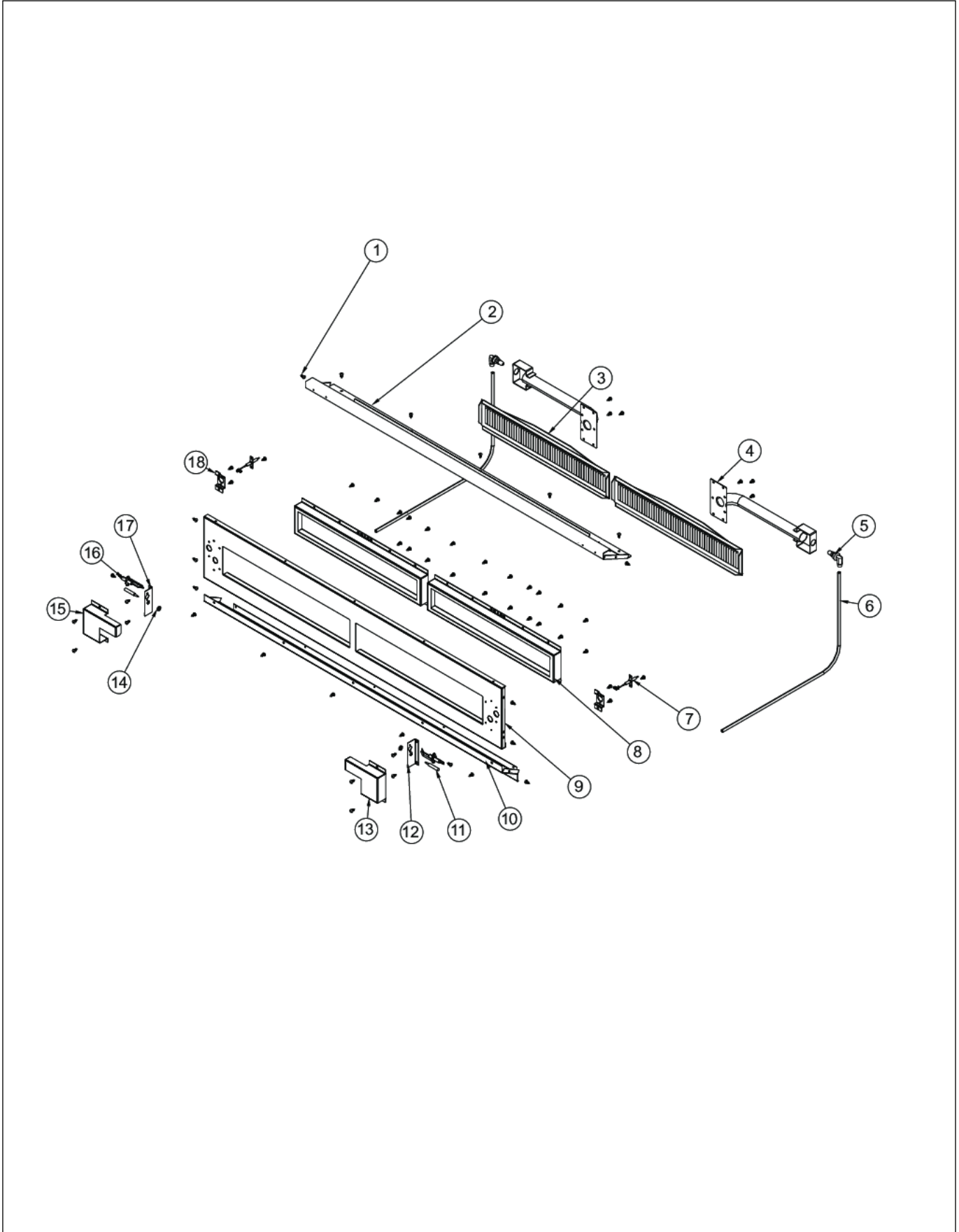
**NON
ILLUSTRATED PART**





Item	Part No.	Name	Qty	Uom	NOTES
NI	G50013595	LP CONNECTION SERVICE KIT	1	EA	

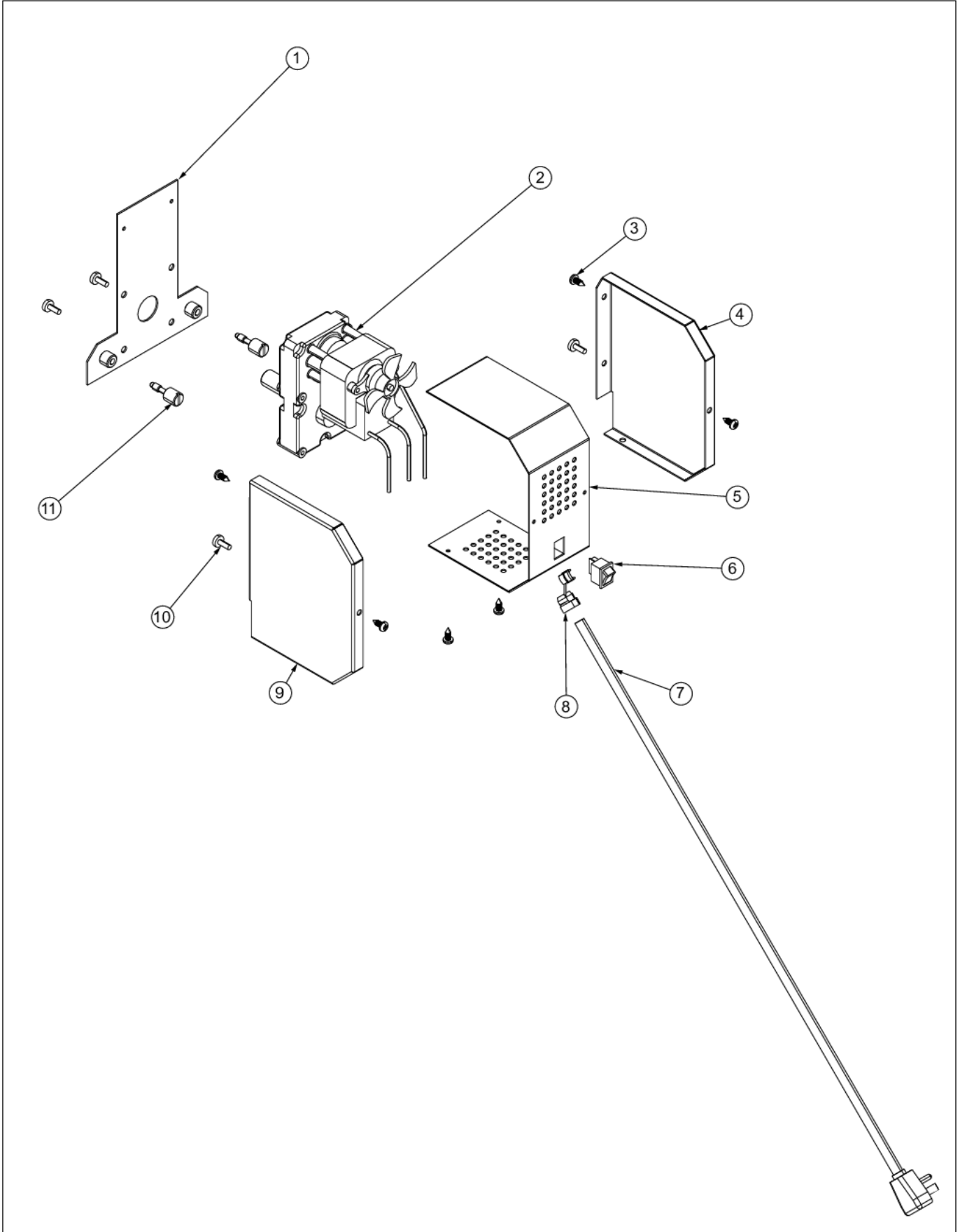
ROTISSERIE BURNER AREA





Item	Part No.	Name	Qty	Uom	NOTES
1	PD020055	' #10 X 1/2" PAN PHIL. TEK.*SS*	62	EA	
2	G9105394	53 FRONT HOUSING TOP WELD ASSY	1	EA	
3	G3005289	I/R Burner Assy	2	EA	
4	PB050060	I/R VENTURI (PHASE 2 BBQ)	2	EA	
5	PB040124	90 DEG. ORIFICE FITTING	2	EA	
6	PB020096	48" 5/16 S.S. FLEX TUBING REPL F2003505	2	EA	
7	PB040280	FLEXIBLE ROTISSERIE IGNITOR	2	EA	
8	B2005347	I/R Frame	2	EA	
9	G91015546	53" FRONT HOUSING WELD ASSY	1	EA	
10	E9107203	FRONT HOUSING 53	1	EA	NOT FIELD REPLACEABLE
11	042576-000	THERMOCOUPLE	2	EA	
12	B20015518	IR IGNITOR BRACKET 53"	1	EA	
13	B20015521	53" RH ROTISSERIE IGNITOR COVER	1	EA	
14	PD030048	THERMOCOUPLE NUT M08- VGBQ-8743300007	2	EA	
15	B20015402	I/R IGNITOR COVER LH	1	EA	
16	PB040160	WOK IGNITER	2	EA	
17	B20015403	IR IGNITOR BRACKET	1	EA	
18	B20015401	FLEX IGNITER STAND OFF	2	EA	Not available online / Call for pricing and availability

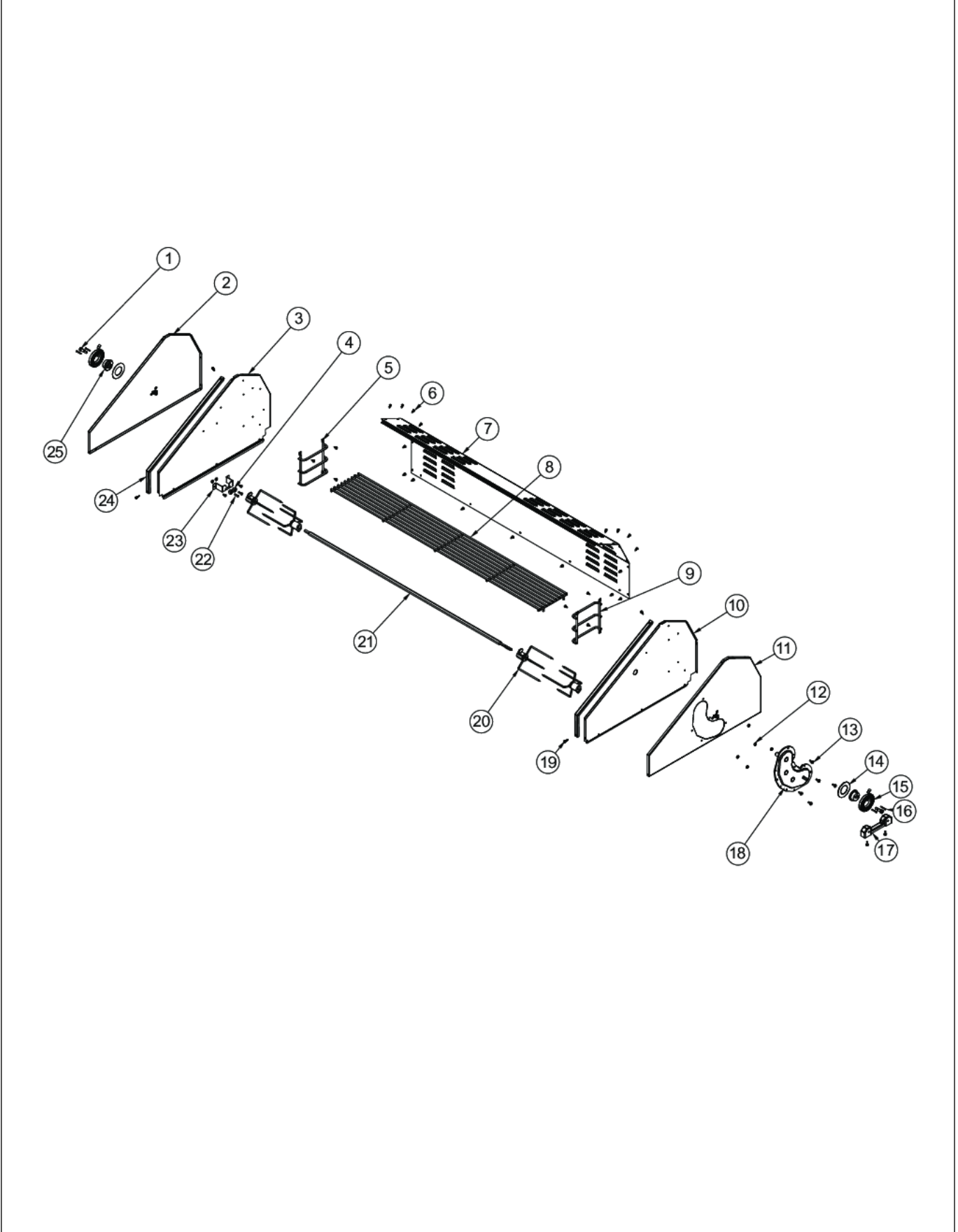
ROTISSERIE MOTOR ASSEMBLY



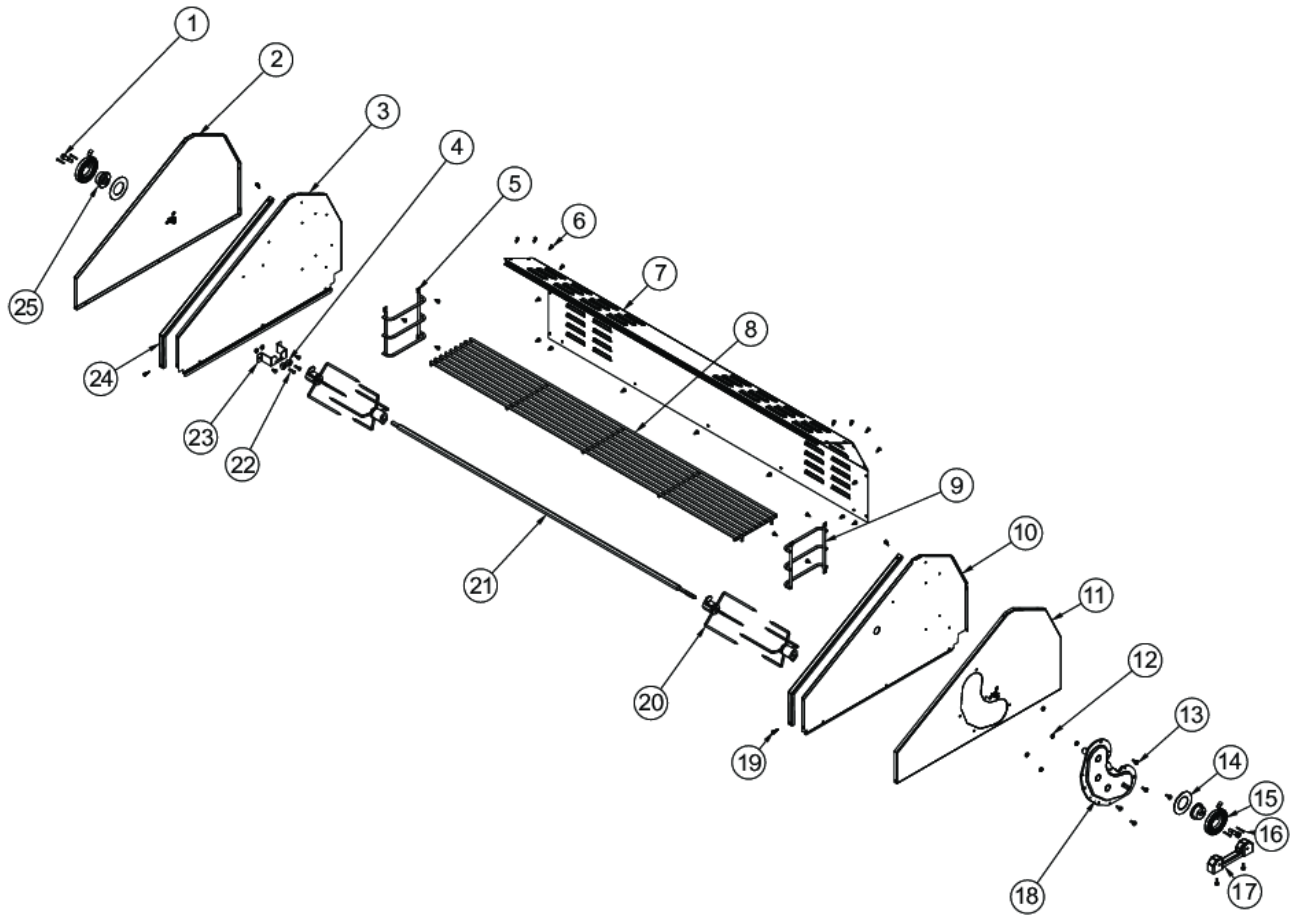


Item	Part No.	Name	Qty	Uom	NOTES
1	002081-000	ROT MOTOR MOUNTING PLATE ASSY	1	EA	
2	PE070184	ROTISSERIE MOTOR	1	EA	
3	PD020055	' #10 X 1/2" PAN PHIL. TEK.*SS*	6	EA	
4	B2005285	PHASE II ROTIS BOX FRONT	1	EA	
5	B2005286	PHASE II ROTIS COVER	1	EA	
6	PE050051	ROTISSERIE SWITCH	1	EA	
7	PE070189	ELECTRICAL SUPPLY CORD - BBQ GRILL	1	EA	
8	PD040044	SNAP THRU BUSHING 1/4"DIA CORD	1	EA	
9	B2005284	PHASE II ROTIS BOX FRONT	1	EA	
10	PD020056	' #10-24 X 1/2" PH.TR. M.S. *SS*	4	EA	
11	PD010090	ROTISSERIE FASTENER KNOB	2	EA	

UPPER GRILLE AREA



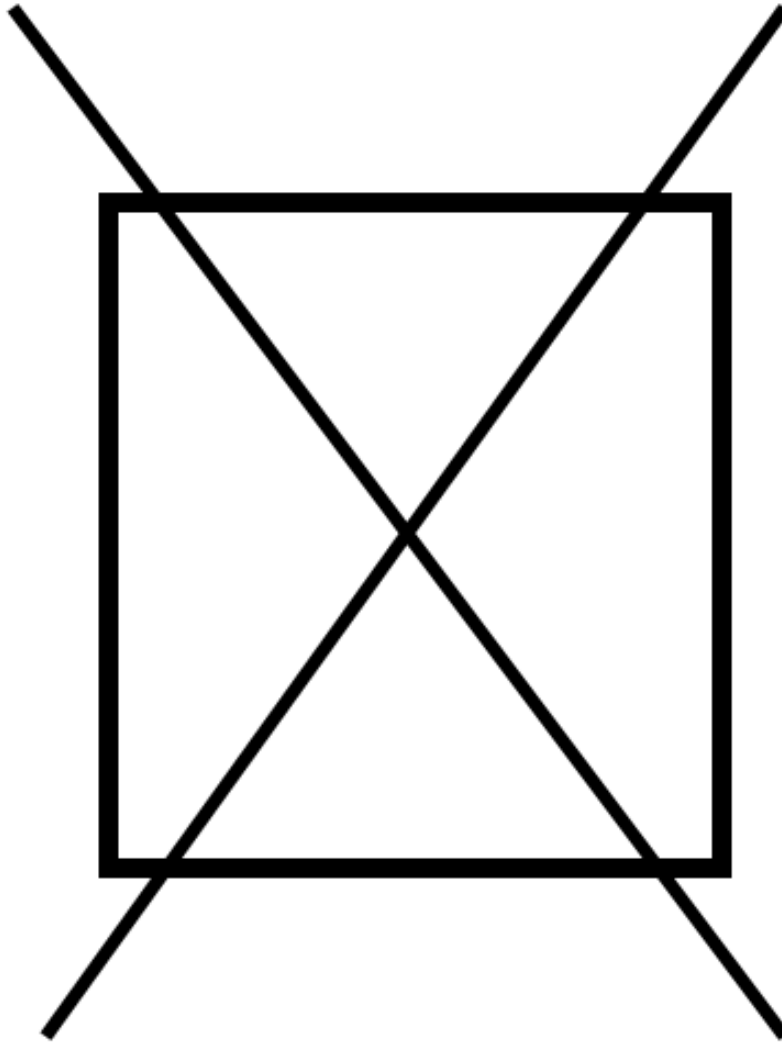
Item	Part No.	Name	Qty	Uom	NOTES
1	PD010043	5/16INCH SHOULDER BOLT (PHASE 2)	2	EA	
2	G5005257	O/S Windshield Assy - LH	1	EA	
3	B20015419	INSIDE WINDSHIELD LH	1	EA	Not available online / Call for pricing and availability
4	PC020025	DRIP TRAY WHEEL	2	EA	
5	PB060113	WARMING RACK SUPPORT LH	1	EA	
6	PD020055	' #10 X 1/2" PAN PHIL. TEK.*SS*	25	EA	
7	003654-000	53" GRILL REAR COVER	1	EA	Not available online / Call for pricing and availability
8	PB060050	WARMING RACK 53" FULL	1	EA	
9	PB060112	WARMING RACK SUPPORT RH	1	EA	
10	B20015418	INSIDE WINDSHIELD RH	1	EA	Not available online / Call for pricing and availability
11	G5005256	O/S Windshield Assy - RH	1	EA	Not available online / Call for pricing and availability
12	PD030044	10-24 KEPS NUT *SS*	7	EA	
13	PD020056	' #10-24 X 1/2" PH.TR. M.S. *SS*	7	EA	
14	007818-000	RETAINER, CANOPY SPRING	2	EA	
15	007257-000	CANOPY, SPRING, ASSIST- 53"	2	EA	
16	006779-000	#6-32 x 1.0 SS FLAT HD SCREW	4	EA	
17	PB060055	Rotis. Mount Casting	1	EA	
18	PC070024	ROTIS. GEAR BOX ASSY	1	EA	
19	020037-000	SCR, DR, FCSKHP, 410 SS, NPLT, 8-18 x 3/4	4	EA	
20	032881-000	FORK, RTSR	4	EA	
21	PB060052	ROTIS SPIT ROD 53"	1	EA	
22	PD020082	10 X 24 COUNTERSUNK S.S. SCREW	2	EA	
23	B2005278	ROTISSERIE ROLLER BRACKET (PHASE 2)	1	EA	
24	B20015574	GRILL WINDSHIELD TRIM	2	EA	





Item	Part No.	Name	Qty	Uom	NOTES
25	005942-000	SPRING INDEX	2	EA	

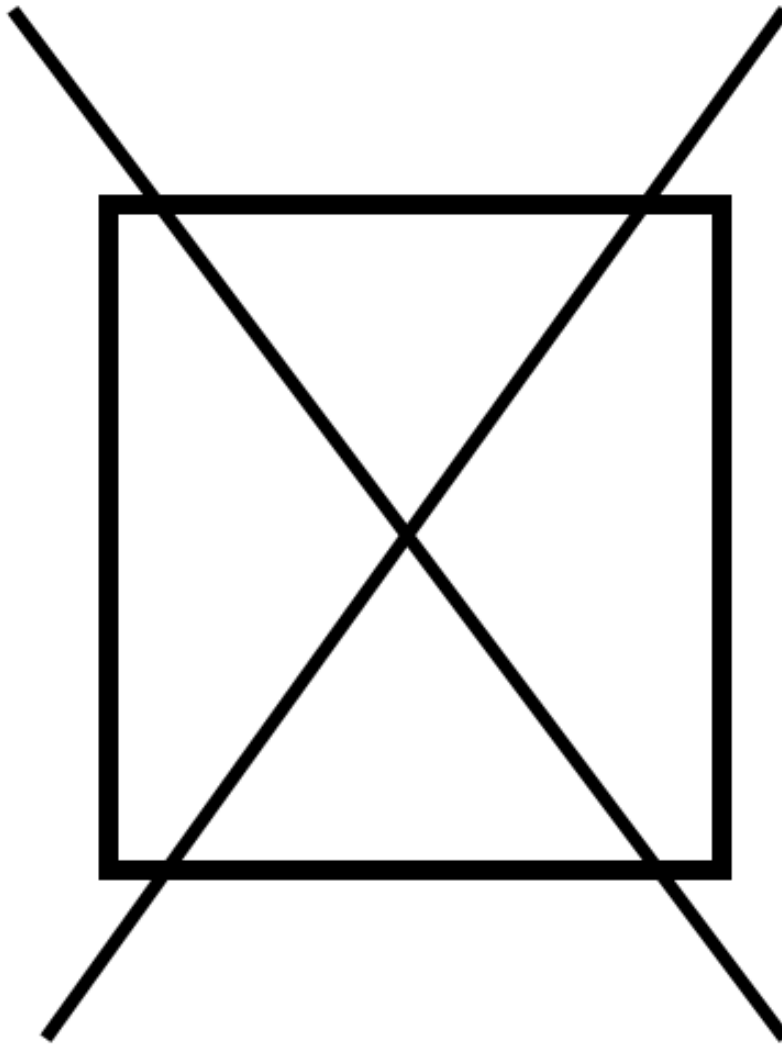
NON
ILLUSTRATED PART





Item	Part No.	Name	Qty	Uom	NOTES
NI	G4006376	WIRE ASSY (VGBQ-T SERIES) 10"	2	EA	

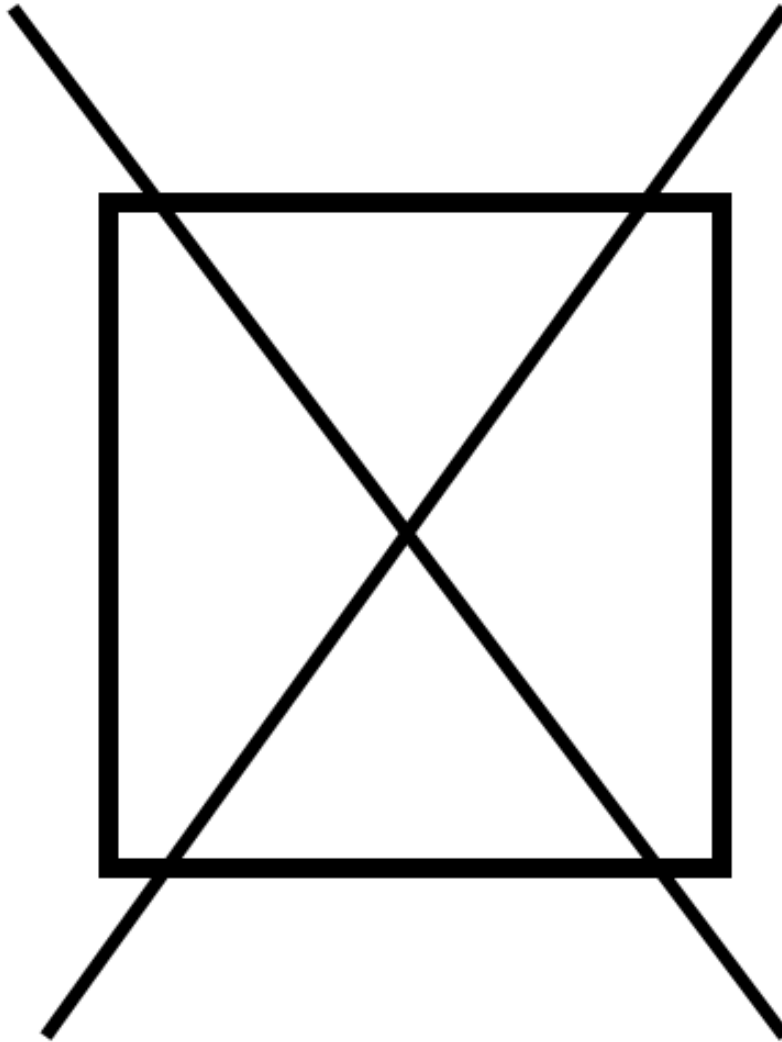
NON
ILLUSTRATED PART





Item	Part No.	Name	Qty	Uom	NOTES
NI	G4006377	WIRE ASSY (VGBQ-T SERIES) 15"	2	EA	
NI	G4006380	WIRE ASSY (VGBQ-T SERIES) 15"	2	EA	

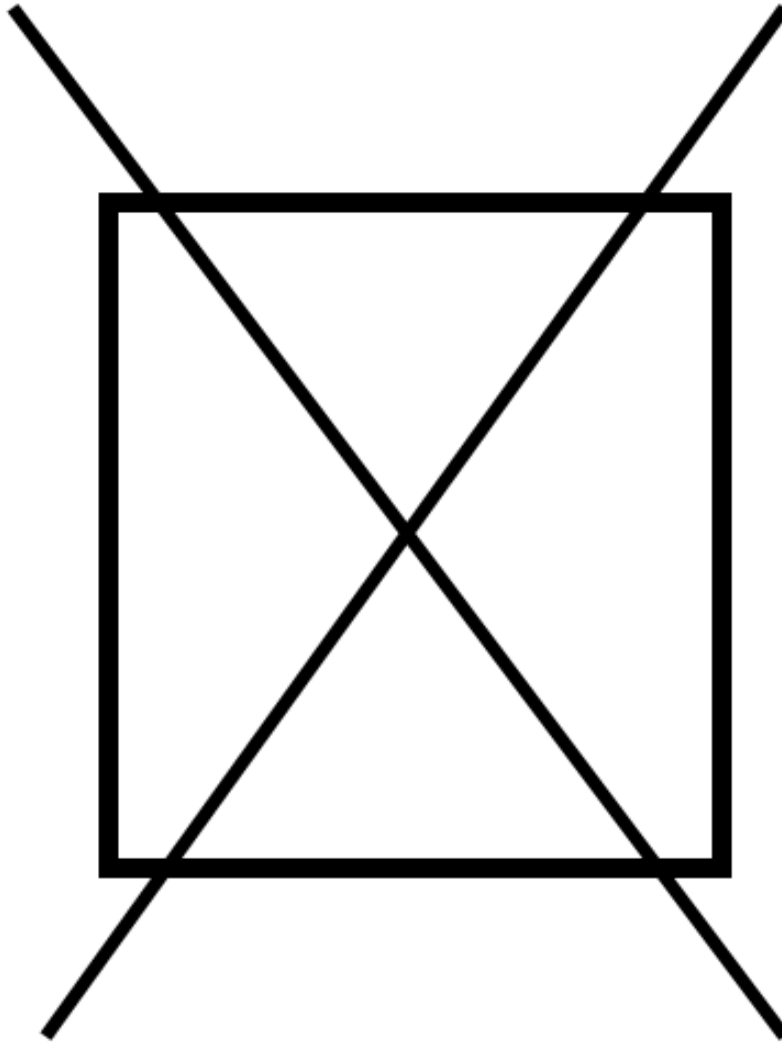
NON
ILLUSTRATED PART





Item	Part No.	Name	Qty	Uom	NOTES
NI	G4006378	WIRE ASSY (VGBQ-T SERIES) 25"	2	EA	
NI	G4006379	WIRE ASSY (VGBQ-T SERIES) 25"	2	EA	

NON
ILLUSTRATED PART





Item	Part No.	Name	Qty	Uom	NOTES
NI	G4006384	WIRE ASSY (VGBQ-T SERIES) 7" NOT FIELD REPLACEABLE	1	EA	



Appendix A:Pages Index

BURNER BOX AREA 1
BURNER GRATE AREA 2
CANOPY AREA 3
CONTROL PANEL 4
DRIP TRAY 5
HARNESS, WIRE, ROTISSERIE 6
LP CONNECTION SERVICE KIT 7
ROTISSERIE BURNER AREA 8
ROTISSERIE MOTOR ASSEMBLY 9
UPPER GRILLE AREA 10
WIRE ASSY 10 11
WIRE ASSY 15 12
WIRE ASSY 25 13
WIRE ASSY 7 14



Appendix B:Parts Index

000268-000	3	025566-000	1
002081-000	9	025701-000	2
002354-000	1	025723-000	4
002355-000	1	026000-000	4
002671-000	1	026003-000	4
002884-000	4	026004-000	4
003561-000	4	026005-000	3
003562-000	4	026242-000	3
003563-000	4	026754-000	4
003630-000	3	027596-000	2
003632-000	3	032881-000	10
003639-000	3	037304-000	2
003654-000	10	042576-000	8
003858-000	1	042720-000	3
004706-000	2	046328-000	4
005942-000	10	050172-000	3, 4
006010-000	1	B20011414	1
006011-000	1	B20015401	8
006666-000	3	B20015402	8
006667-000	3	B20015403	8
006779-000	10	B20015415	2
007257-000	10	B20015418	10
007818-000	10	B20015419	10
008091-000	2, 2	B20015508	1
008772-000	4	B20015511	1
008773-000	4	B20015514	1
014952-000	4	B20015518	8
014953-000	4	B20015521	8
015009-000	4	B20015574	10
020037-000	10	B2005203	1
020041-000	4	B2005204	1
023000-000	2	B2005244	1
023653-000	4, 4	B2005250	1
024157-000	2	B2005278	10
025322-000	6	B2005284	9
025542-000	1	B2005285	9
025543-000	1	B2005286	9
025544-000	1	B2005309	5
025545-000	1	B2005316	5
025560-000	1	B2005317	5
		B2005347	8



B2006305	1	PB040046	4
B2008925	2	PB040124	8
B2008931	2	PB040160	8
B2008932	2	PB040228	4
B2008936	1	PB040263	4
B2008939	1	PB040280	8
B2008943	2	PB050060	8
B2008962	2	PB060050	10
B3005313	5	PB060052	10
E9107203	8	PB060055	10
G3005214	5	PB060112	10
G3005215	5	PB060113	10
G3005221	4	PC020025	5, 10
G3005289	8	PC070024	10
G32015421	2	PD010012	4
G3205305	5	PD010043	10
G3208933	2	PD010090	9
G4006376	11	PD020055	1, 2, 3, 4, 5, 8, 9, 10
G4006377	12	PD020056	1, 2, 4, 5, 9, 10
G4006378	13	PD020069	3
G4006379	13	PD020082	5, 10
G4006380	12	PD020166	1, 2
G4006384	14	PD030006	4
G50013595	7	PD030044	5, 10
G5005256	10	PD030048	8
G5005257	10	PD030050	1, 4
G91015546	8	PD040004	5
G9105394	8	PD040010	3
J2101749	5	PD040044	1, 9
L1004882	1	PE030040	3
L1005398	1	PE030187	2
PA020036	1	PE030197	2
PA060052	2	PE050051	9
PA060053	2	PE050063	4
PA060068	2	PE070184	9
PA060069	2	PE070189	9
PA070006	4	PE070791	1
PB010163	4	PM010049	1
PB020096	8		
PB020114	2		
PB020239	4		