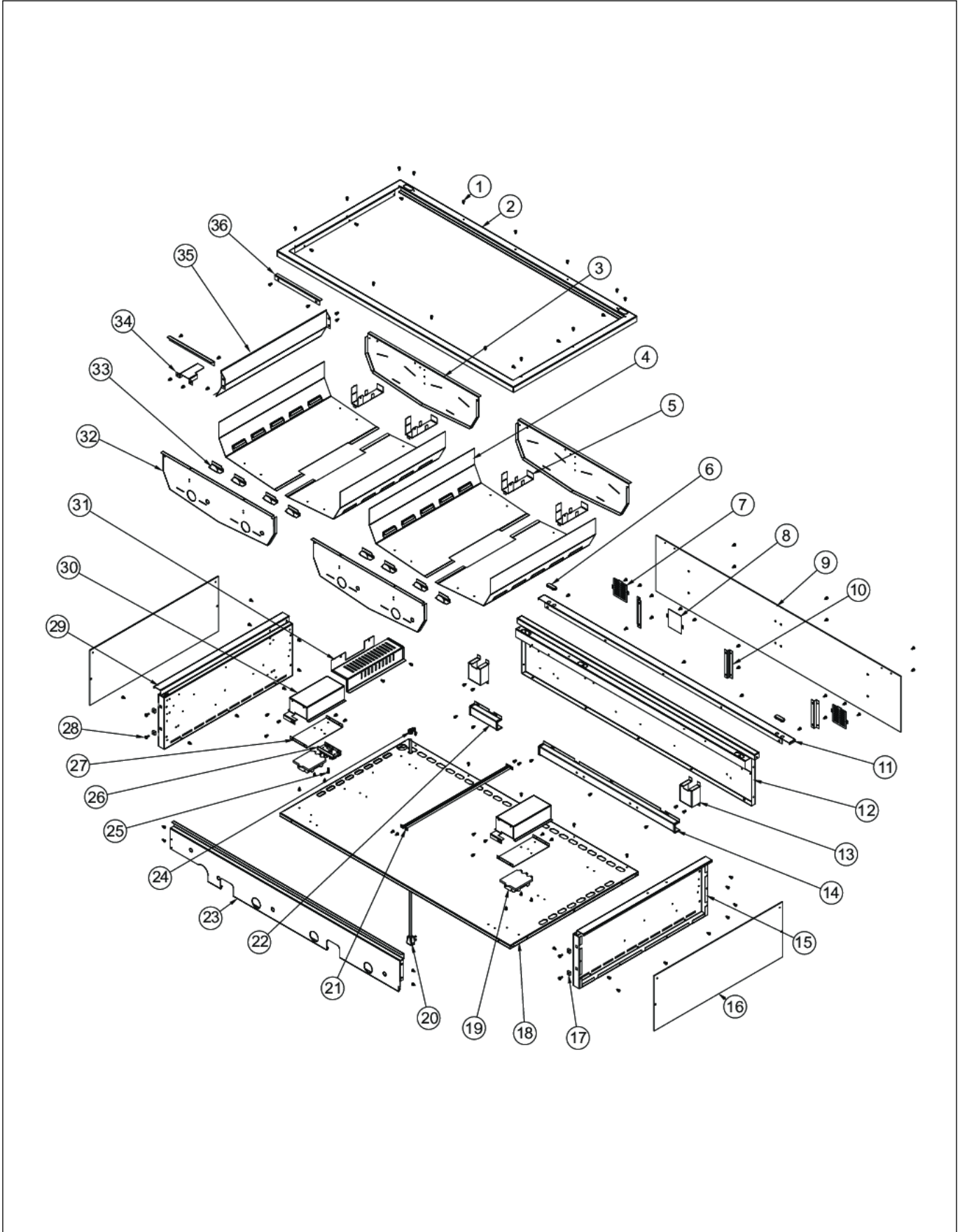


VGIQ5304RE2

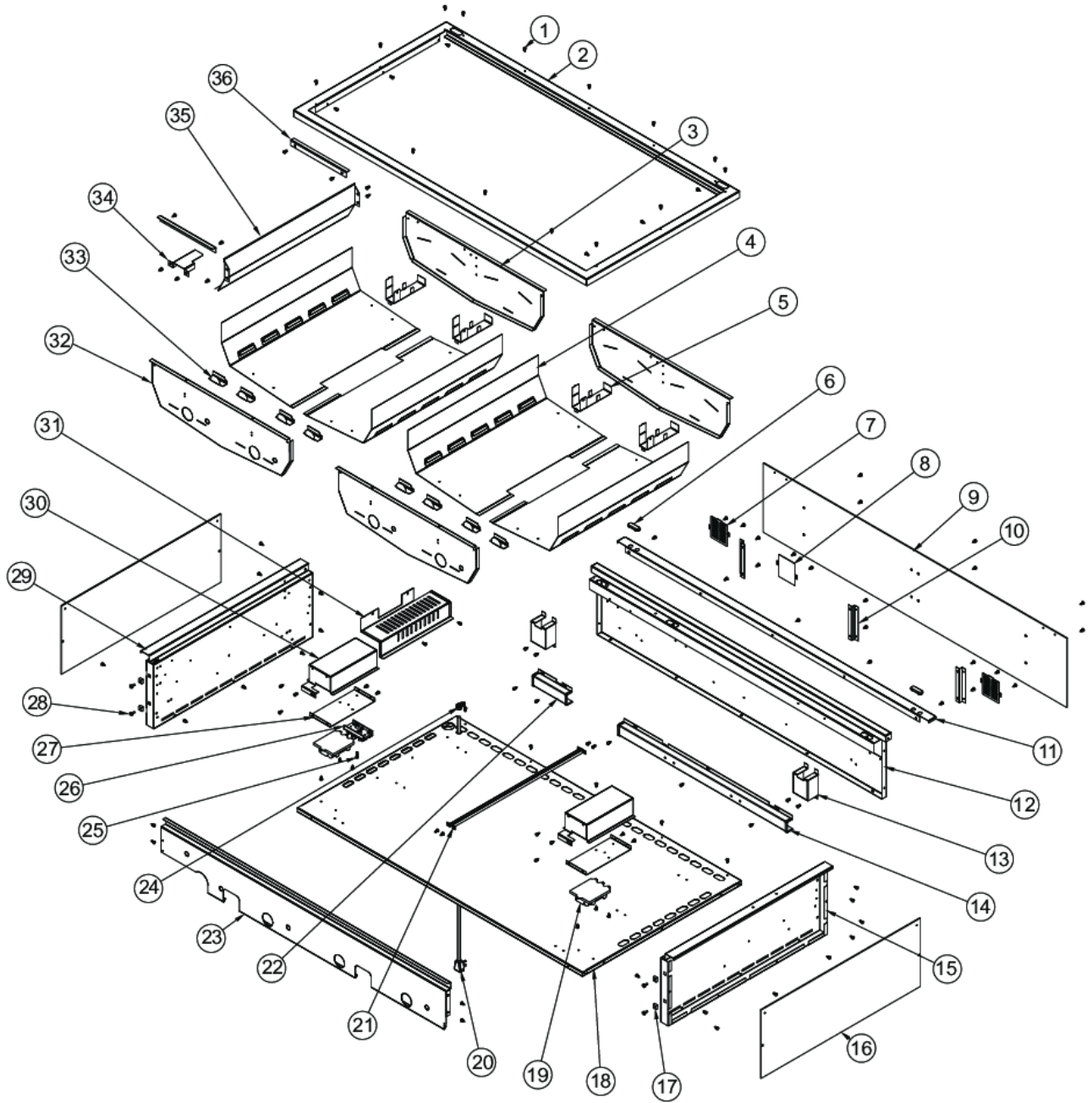
BURNER BOX AREA	1
BURNER GRATE AREA	2
CANOPY AREA	3
CONTROL PANEL	4
DRIP TRAY	5
ROTISSERIE BURNER AREA	6
ROTISSERIE MOTOR ASSEMBLY	7
UPPER GRILLE AREA	8
WIRING	9
Appendix A:Pages Index	A
Appendix B:Parts Index	B

BURNER BOX AREA





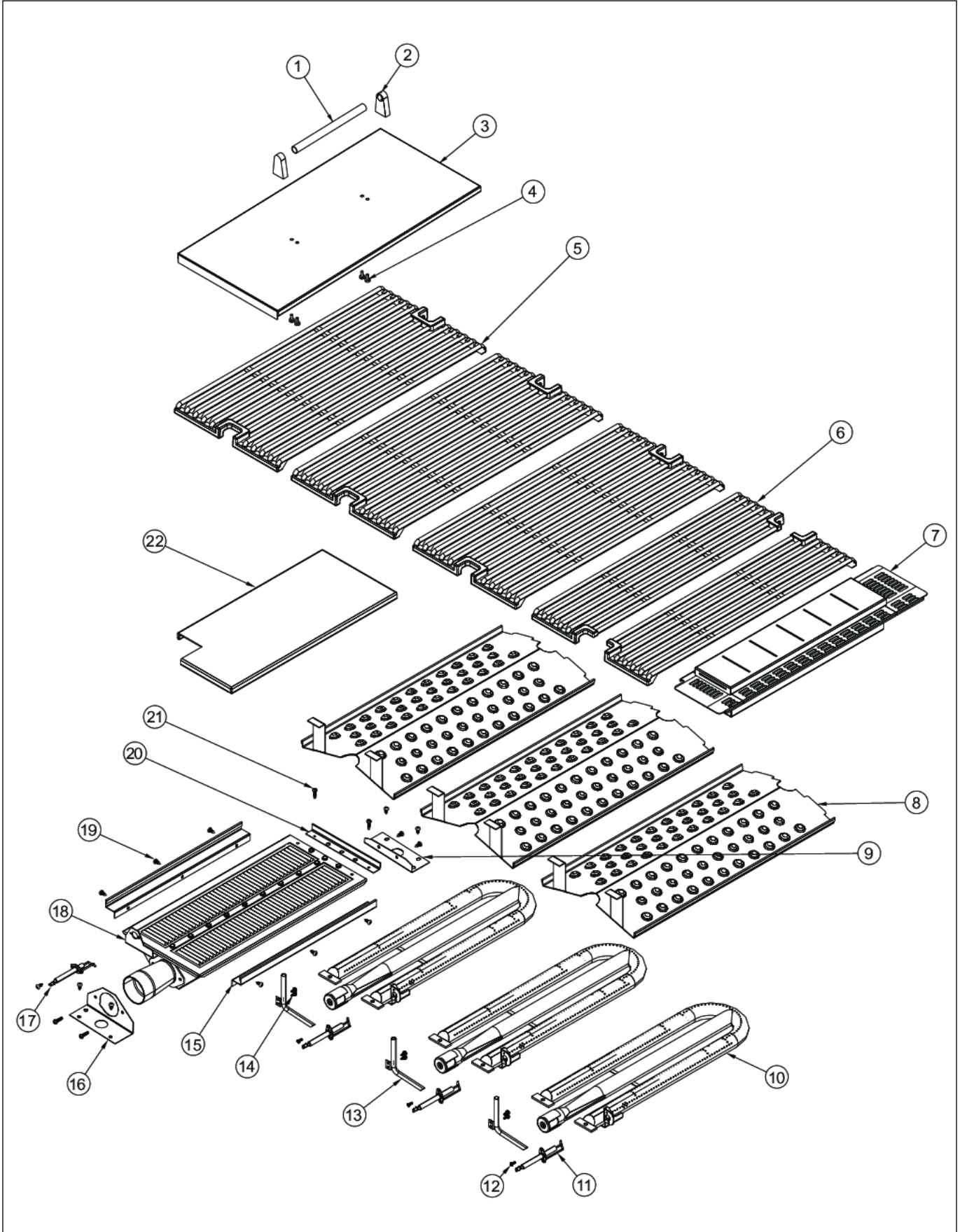
Item	Part No.	Name	Qty	Uom	NOTES
1	PD020055	' #10 X 1/2" PAN PHIL. TEK.*SS*	100	EA	
2	B20015514	GRILL FRAME 53" - NLA	1	EA	
3	025544-000	BOX, BNR, BACK, 30"	2	EA	
4	025543-000	BOX, BRN, BOT, 30"	4	EA	
5	006010-000	GRILL BURNER REAR BRACKET	4	EA	
6	002671-000	RUBBER DOOR BUMPER	2	EA	
7	002353-000	GRILL PLUG VENT	2	EA	NO LONGER AVAILABLE, Not available online / Call for pricing and availability
8	002354-000	GRILL PLUG PLATE	1	EA	NO LONGER AVAILABLE, Not available online / Call for pricing and availability
9	L1004882	REAR HEAT SHIELD - 53""	1	EA	
10	B2006305	HEAT SHIELD BRACKET	3	EA	
11	003858-000	5304 GRILL REAR TRIM	1	EA	
12	B20015511	GRILL BOX BACK 53"	1	EA	
13	002355-000	GRILL RECEPTACLE BOX	2	EA	
14	A20015410	GRILL WIRE CHANNEL - 53" REAR	1	EA	
15	B2005203	Grill Box Side - RH	1	EA	
16	L1005398	Side Heat Shield	2	EA	
17	PD030050	10-24 CAGE NUT *SS*	4	EA	
18	B20015508	GRILL BOX BOTTOM 53"	1	EA	
19	PA020047	INVENSYS 0+4 RE-IGNITION SPARK MODULE	2	EA	
20	PE070791	GRILL POWER SUPPLY CORD (8 FT)	1	EA	
21	B2005244	BURNER BOX CENTER TRIM	1	EA	
22	A20015412	GRILL WIRE CHANNEL - 42" SHORT	1	EA	
23	025566-000	SUPPORT, GRL, FR, 53"	1	EA	
24	PD040044	SNAP THRU BUSHING 1/4"DIA CORD	1	EA	
25	PD020166	#10 X 3/4" PAN PHIL. TEK. *SS*	1	EA	NO LONGER AVAILABLE





Item	Part No.	Name	Qty	Uom	NOTES
26	PE070855	E SERIES TERMINAL BLOCK	1	EA	
27	B20015568	0+4 SM/TB HOUSING BTM	2	EA	
28	PD020056	' #10-24 X 1/2" PH.TR. M.S. *SS*	4	EA	
29	B2005204	Grill Box Side - LH	1	EA	
30	B30015552	0+4 SPARK MODULE TERMINAL HOUSING	2	EA	
31	004089-000	POWER CORD SHIELD	1	EA	
32	025542-000	BOX, BNR, FR, 30"	2	EA	
33	006011-000	GRILL BURNER FRONT BRACKET	8	EA	
34	B2008939	IR SPARK IGNITOR COVER	1	EA	
35	B20011414	BURNER BOX DIVIDER (VGIQ300T)	1	EA	
36	B2008936	GRATE SPACER	2	EA	NO LONGER AVAILABLE, Not available online / Call for pricing and availability
NI	PA020048	Spark Module (6B /6G/ 4Q)	1	EA	
NI	PA020045	Spark Ignition Switch	4	EA	
NI	025545-000	BOX, BNR, ASM, 30"	1	EA	
Not Shown	NOTE	(RH BURNER BOX ASM)		EA	
NI	025560-000	BOX, BRN, ASM, 30" IQ	1	EA	
Not Shown	NOTE	(LH BURNER BOX ASM)		EA	

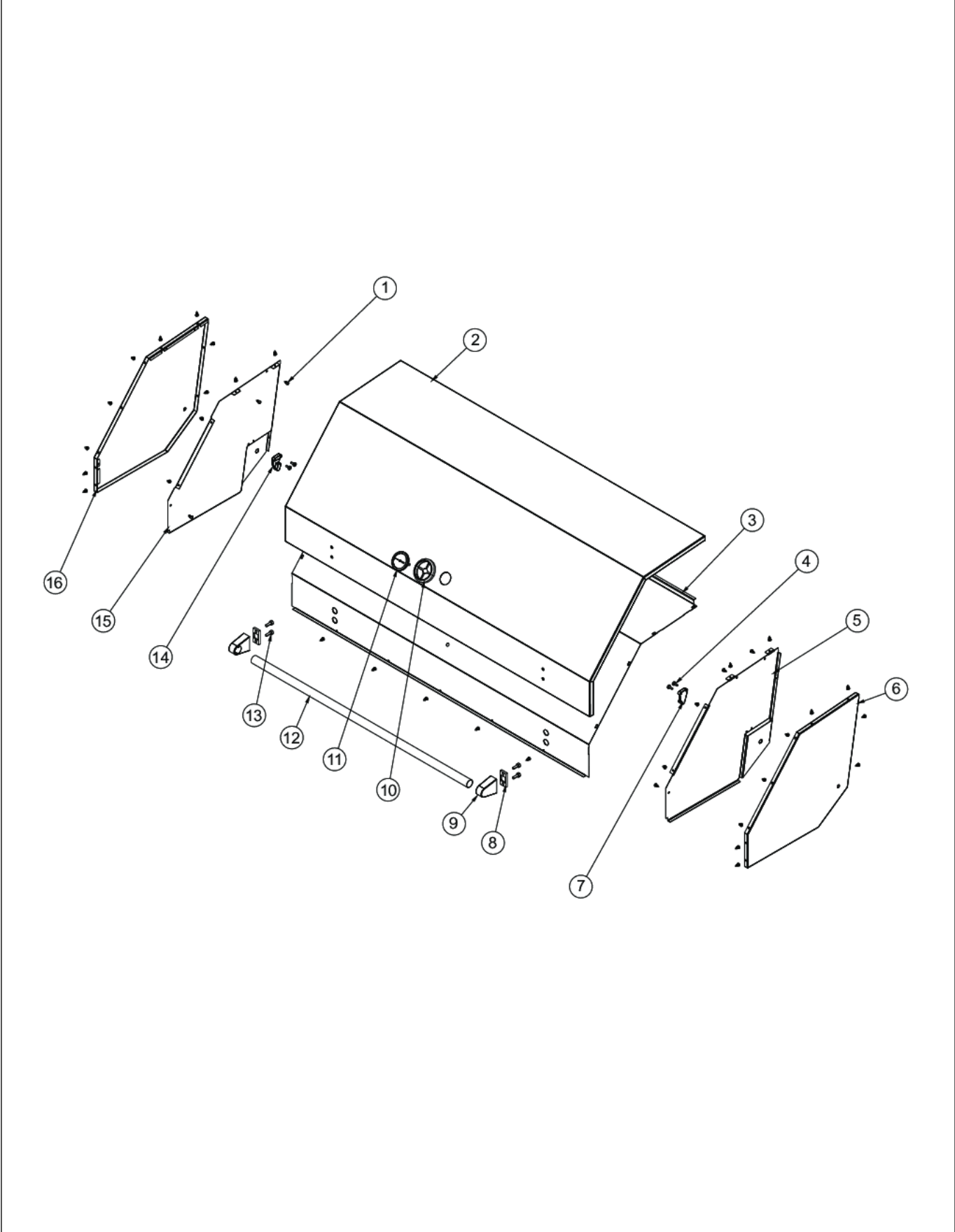
BURNER GRATE AREA





Item	Part No.	Name	Qty	Uom	NOTES
1	PE030197	VGIQ30 COVER HANDLE	1	EA	
2	PE030187	HANDLE END CAP *CHROME* OUTDOOR CABINET	2	EA	
3	B20015415	VGIB151/VGIQ COVER	1	EA	
4	PD020056	' #10-24 X 1/2" PH.TR. M.S. *SS*	4	EA	
5	002369-000	REDESIGN BBQ GRATE - FULL	3	EA	
6	002370-000	REDESIGN BBQ GRATE - HALF	2	EA	
7	027596-000	BOX, SMOKER ASM	1	EA	
8	024157-000	SHIELD, GRS	2	EA	
9	B2008932	BACK BURNER BRACKET	1	EA	
10	023000-000	BURNER, GRL, ASM, U	2	EA	
11	008091-000	PB040288 IGNITOR KIT	3	EA	
12	004706-000	MACHINE SCREW, 6-32 x 3/8, PAN HD, PHILLIPS	3	EA	
13	PB020114	FLASH TUBE (VGBQ3002T)	3	EA	
14	008026-000	SCREW, TEK, #6-20 x 3/8, S.S.	6	EA	
15	B2008925	SIDE SCREEN RAIL	2	EA	
16	B2008931	52" FRONT BURNER BRACKET	1	EA	
17	008091-000	PB040288 IGNITOR KIT	1	EA	
18	G3208933	IR BURNER ASSY	1	EA	
19	PD020055	' #10 X 1/2" PAN PHIL. TEK.*SS*	14	EA	
20	B2008962	BACK SCREEN RAIL	1	EA	
21	PD020166	#10 X 3/4" PAN PHIL. TEK. *SS*	4	EA	NO LONGER AVAILABLE
22	B2008943	GREASE SCREEN	1	EA	

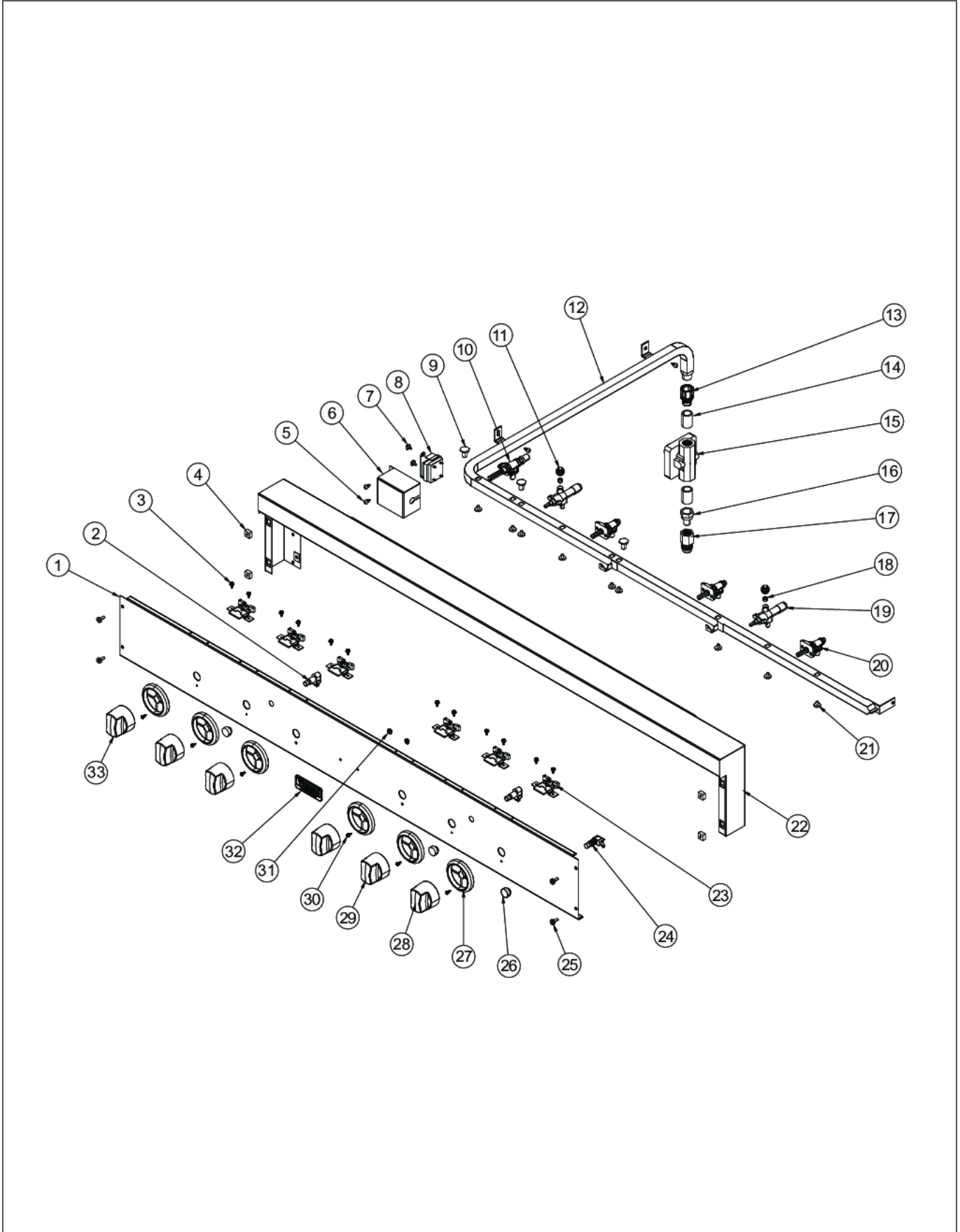
CANOPY AREA



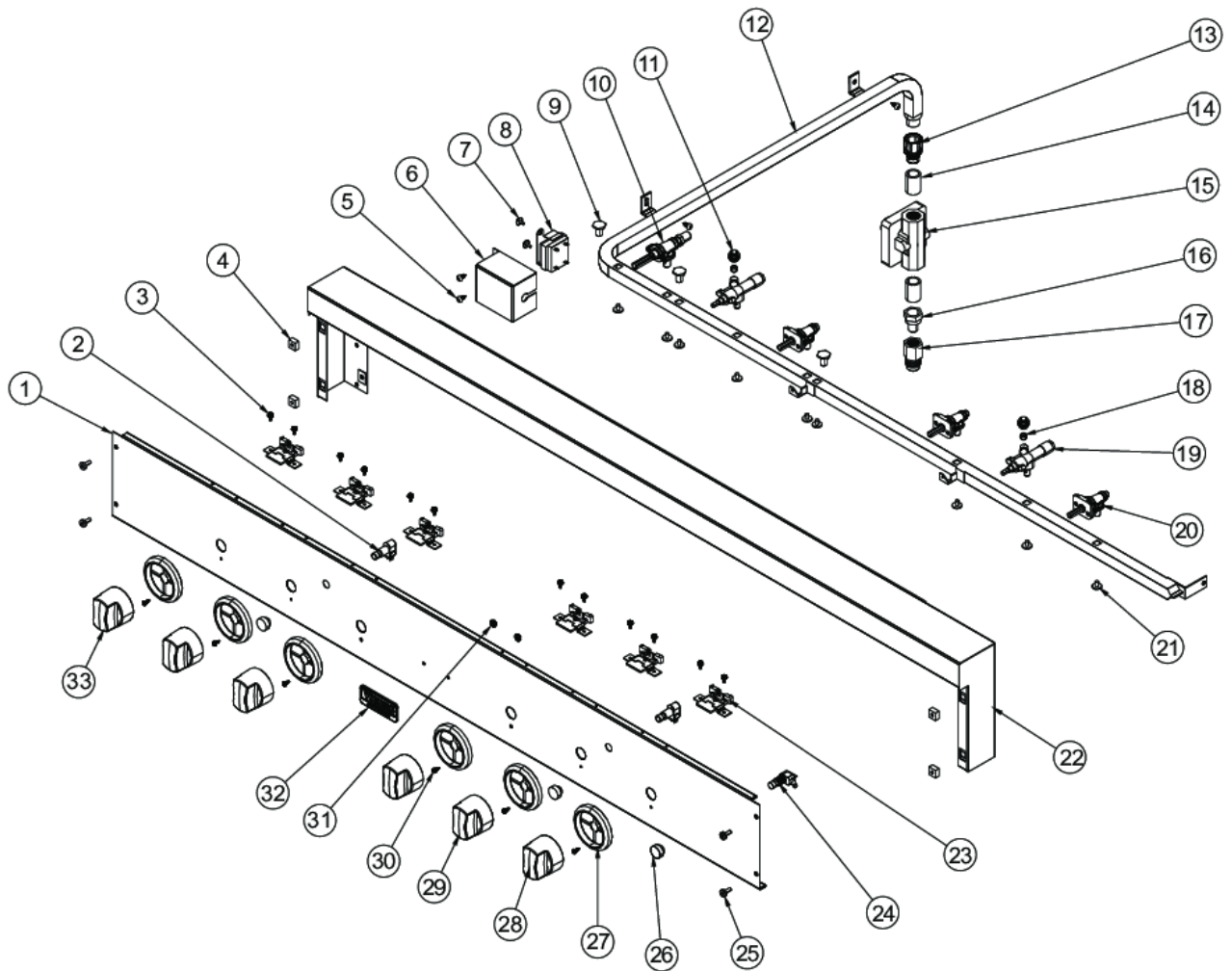


Item	Part No.	Name	Qty	Uom	NOTES
1	PD020055	' #10 X 1/2" PAN PHIL. TEK.*SS*	37	EA	
2	003638-000	53" CANOPY	1	EA	
3	003639-000	53" CANOPY HEAT SHIELD	1	EA	
4	PD020056	' #10-24 X 1/2" PH.TR. M.S. *SS*	4	EA	
5	007379-000	GRILL CANOPY INSIDE RH	1	EA	Not available online / Call for pricing and availability
6	003630-000	GRILL CANOPY OUTSIDE RH	1	EA	
7	007215-000	CANOPY SPRING END MOUNT- RH	1	EA	
8	PD040010	DOOR HANDLE SPACER	2	EA	
9	000268-000	HANDLE ENDCAP	2	EA	
10	050172-000	BEZEL, KNOB	1	EA	
11	042720-000	GAUGE, BMTL, TEMPERATURE	1	EA	
12	PE030040	DOOR/CNPY HNDLE - RPLCS PE930090	1	EA	NO LONGER AVAILABLE
13	PD020069	CAP SCREW 1/4-20 X 3/4 SS	4	EA	
14	005941-000	CANOPY SPRING END MOUNT- LH	1	EA	
15	003633-000	GRILL CANOPY INSIDE LH	1	EA	
16	003632-000	GRILL CANOPY OUTSIDE LH	1	EA	Not available online / Call for pricing and availability

CONTROL PANEL



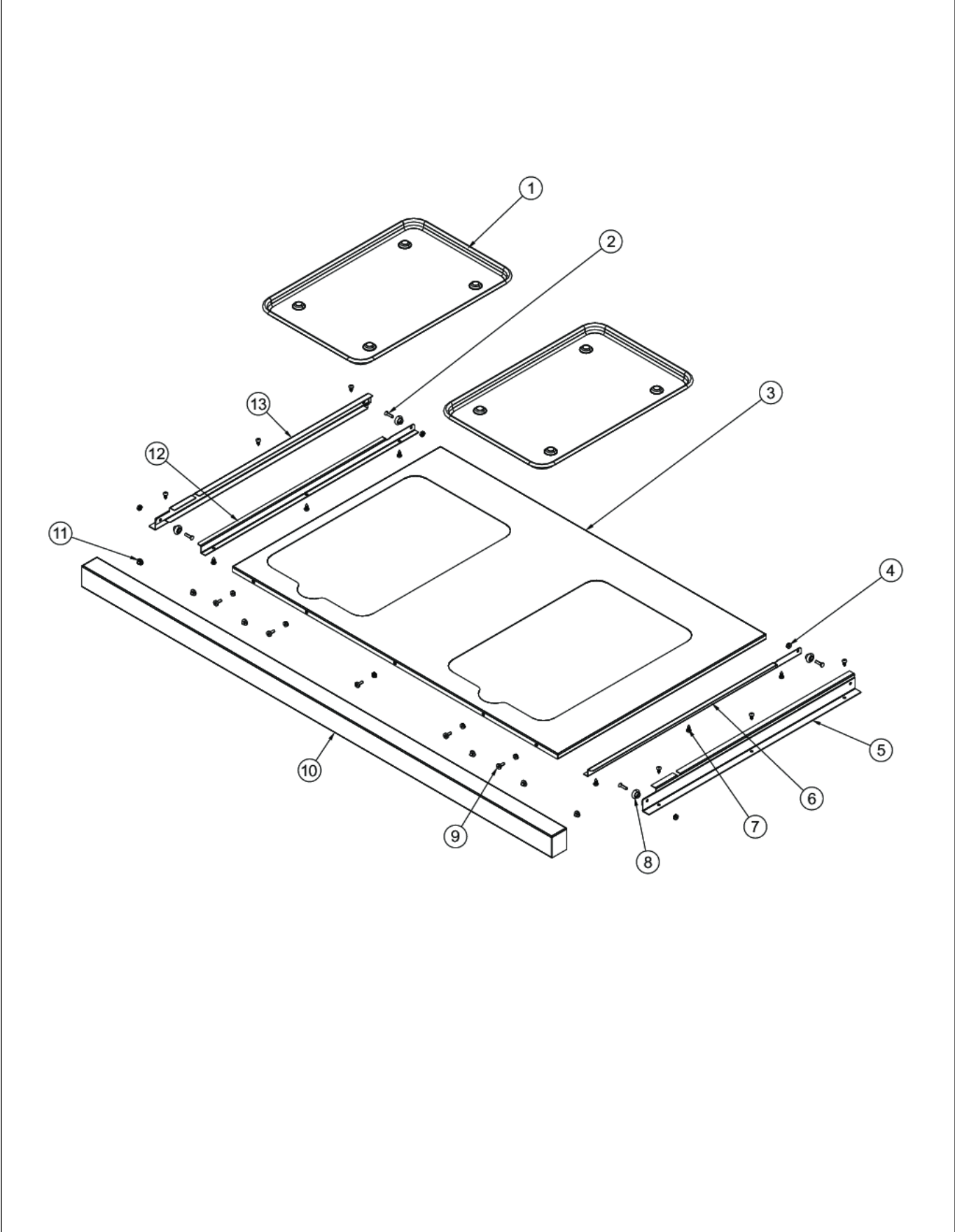
Item	Part No.	Name	Qty	Uom	NOTES
1	025583-000	PANEL, CTRL, 53" IQ	1	EA	Not available online / Call for pricing and availability
2	PE050063	SPARKER SWITCH (PHASE 2)	2	EA	
3	008026-000	SCREW, TEK, #6-20 x 3/8, S.S.	12	EA	
4	PD030050	10-24 CAGE NUT *SS*	4	EA	
5	PD020055	' #10 X 1/2" PAN PHIL. TEK.*SS*	4	EA	
6	007657-000	PROT. COVER	1	EA	
7	PD020073	SRW #10 X 24 X 3/8 WAFER HD TYPE23	2	EA	
8	006021-000	SCE, PWR, LED, 12VAC	1	EA	
9	002884-000	MANIFOLD PLUG	3	EA	
10	008773-000	VALVE, GAS ASM - NAT.	1	EA	
11	PB040228	FITTING BRASS COMPRESSION NUT	2	EA	
12	025723-000	MANIFOLD, GRL, 53"	1	EA	
13	023653-000	Nipple-Coupler Assy	1	EA	
14	PB040046	1/2" CLOSE NIPPLE	2	EA	
15	PA070006	PRESSURE REG.(NAT.)-4"-FOR BBQ GRIL - NLA	1	EA	
16	023653-000	Nipple-Coupler Assy	1	EA	
17	PB020239	7/8 FLARE TO 1/2 FEMALE CONNECTOR	1	EA	
18	PB040263	5/16 FERRULE	2	EA	
19	046328-000	NATURAL ROTIS VALVE - KNOB KIT	2	EA	
20	006388-000	GAS VALVE - NAT.	3	EA	
21	PD010012	1/4 x 3/8 VALVE BOLT	9	EA	
22	G3005221	LANDING LEDGE ASSY - 53	1	EA	
23	005999-000	LED BOARD ASSEMBLY	6	EA	
24	PE050019	OVEN LIGHT SWITCH (VGSO166) 90-DEG.	1	EA	
25	PD020056	' #10-24 X 1/2" PH.TR. M.S. *SS*	4	EA	
26	PB010163	OVEN LIGHT SWITCH KNOB *BK* (VESO/D	3	EA	
27	050172-000	BEZEL, KNOB	6	EA	





Item	Part No.	Name	Qty	Uom	NOTES
28	003561-000	OUTDOOR GRILL KNOB	3	EA	
29	003563-000	ROTIS BURNER KNOB	2	EA	
30	020041-000	SCR, DR, PH, PNH, 410 SS, NPLT, 6-20 x 3/8	6	EA	
31	PD030006	CAPPED WASHER PAL NUT	2	EA	
32	015009-000	OUTDOOR LOGO - 3" CHROME	1	EA	
33	003562-000	OUTDOOR IR GRILL KNOB	1	EA	

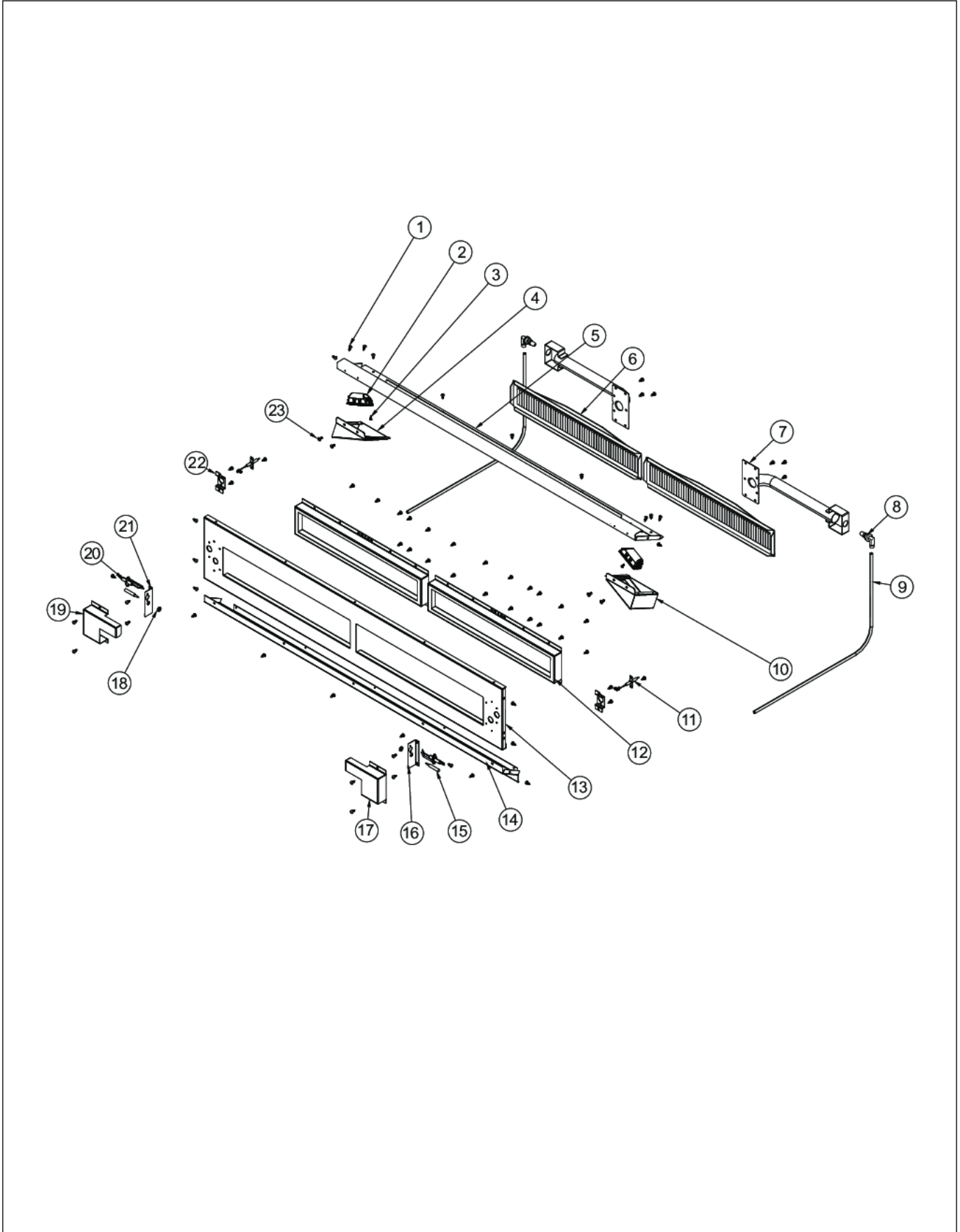
DRIP TRAY





Item	Part No.	Name	Qty	Uom	NOTES
1	J2101749	GREASE PAN	2	EA	
2	PD020082	10 X 24 COUNTERSUNK S.S. SCREW	4	EA	
3	B2005309	DRIP TRAY 41	1	EA	
4	PD030044	10-24 KEPS NUT *SS*	10	EA	
5	G3005215	DRIP TRAY SLIDE - RH	1	EA	
6	B2005316	DRIP TRAY RUNNER RH	1	EA	
7	PD020055	' #10 X 1/2" PAN PHIL. TEK.*SS*	12	EA	
8	PC020025	DRIP TRAY WHEEL	4	EA	
9	PD020056	' #10-24 X 1/2" PH.TR. M.S. *SS*	5	EA	
10	B3005313	53" DRIP TRAY HANDLE	1	EA	
11	PD040004	GROMMET BUMPER	6	EA	
12	B2005317	DRIP TRAY RUNNER LH (PHASE 2)	1	EA	
13	G3005214	DRIP TRAY SLIDE - LH	1	EA	

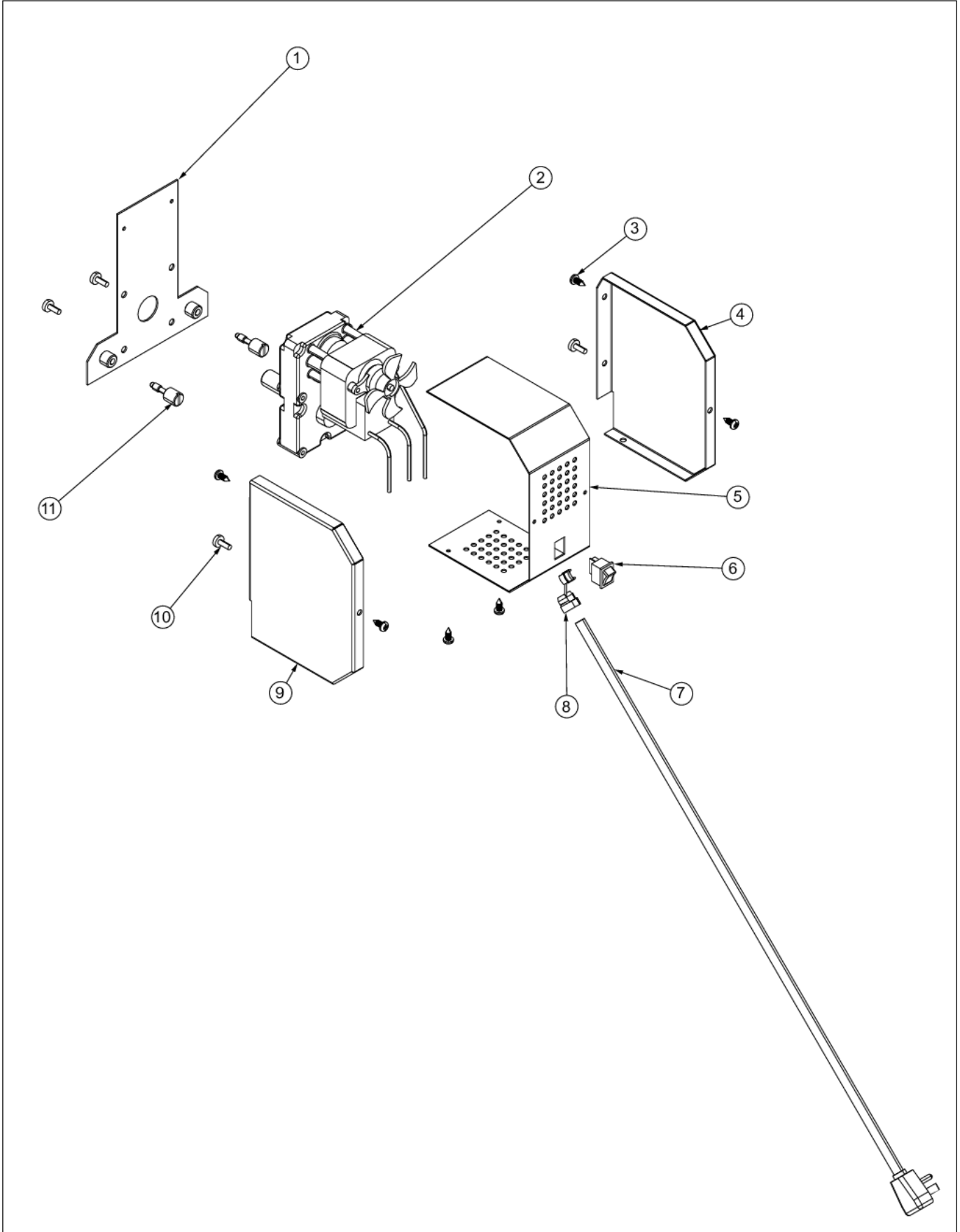
ROTISSERIE BURNER AREA





Item	Part No.	Name	Qty	Uom	NOTES
1	PD020055	' #10 X 1/2" PAN PHIL. TEK.*SS*	66	EA	
2	001310-000	120V HALOGEN LIGHT	2	EA	
3	020041-000	SCR, DR, PH, PNH, 410 SS, NPLT, 6-20 x 3/8	2	EA	
4	000602-000	GRILL LIGHT HOUSING LH	1	EA	
5	G91015561	53" FRONT HOUSING WELD ASSEMBLY	1	EA	
6	G3005289	I/R Burner Assy	2	EA	
7	PB050060	I/R VENTURI (PHASE 2 BBQ)	2	EA	
8	PB040124	90 DEG. ORIFICE FITTING	2	EA	
9	PB020096	48" 5/16 S.S. FLEX TUBING REPL F2003505	2	EA	
10	000603-000	GRILL LIGHT HOUSING RH	1	EA	
11	PB040280	FLEXIBLE ROTISSERIE IGNITOR	2	EA	
12	B2005347	I/R Frame	2	EA	
13	G91015546	53" FRONT HOUSING WELD ASSY	1	EA	
14	E9107203	FRONT HOUSING 53	1	EA	NOT FIELD REPLACEABLE
15	042576-000	THERMOCOUPLE	2	EA	
16	B20015518	IR IGNITOR BRACKET 53"	1	EA	
17	B20015521	53" RH ROTISSERIE IGNITOR COVER	1	EA	
18	PD030048	THERMOCOUPLE NUT M08- VGBQ-8743300007	2	EA	
19	B20015402	I/R IGNITOR COVER LH	1	EA	
20	PB040160	WOK IGNITER	2	EA	
21	B20015403	IR IGNITOR BRACKET	1	EA	
22	B20015401	FLEX IGNITER STAND OFF	2	EA	Not available online / Call for pricing and availability
23	PD020139	#8 X 1/2" P.H. FLAT TOP TRUSS U/C #2 TYPE AB 30 SS/ BRIGHT NICKEL PLATE	4	EA	

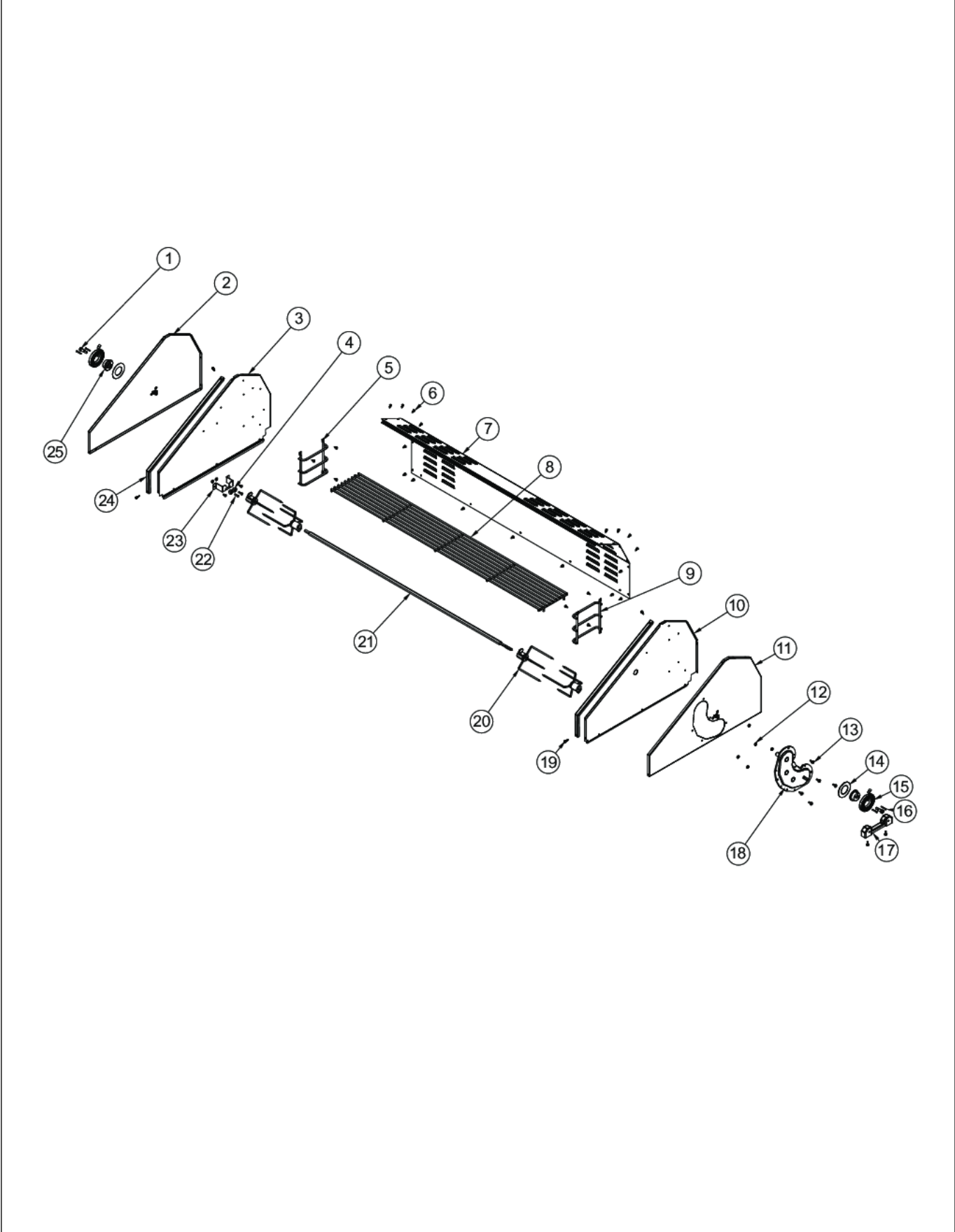
ROTISSERIE MOTOR ASSEMBLY



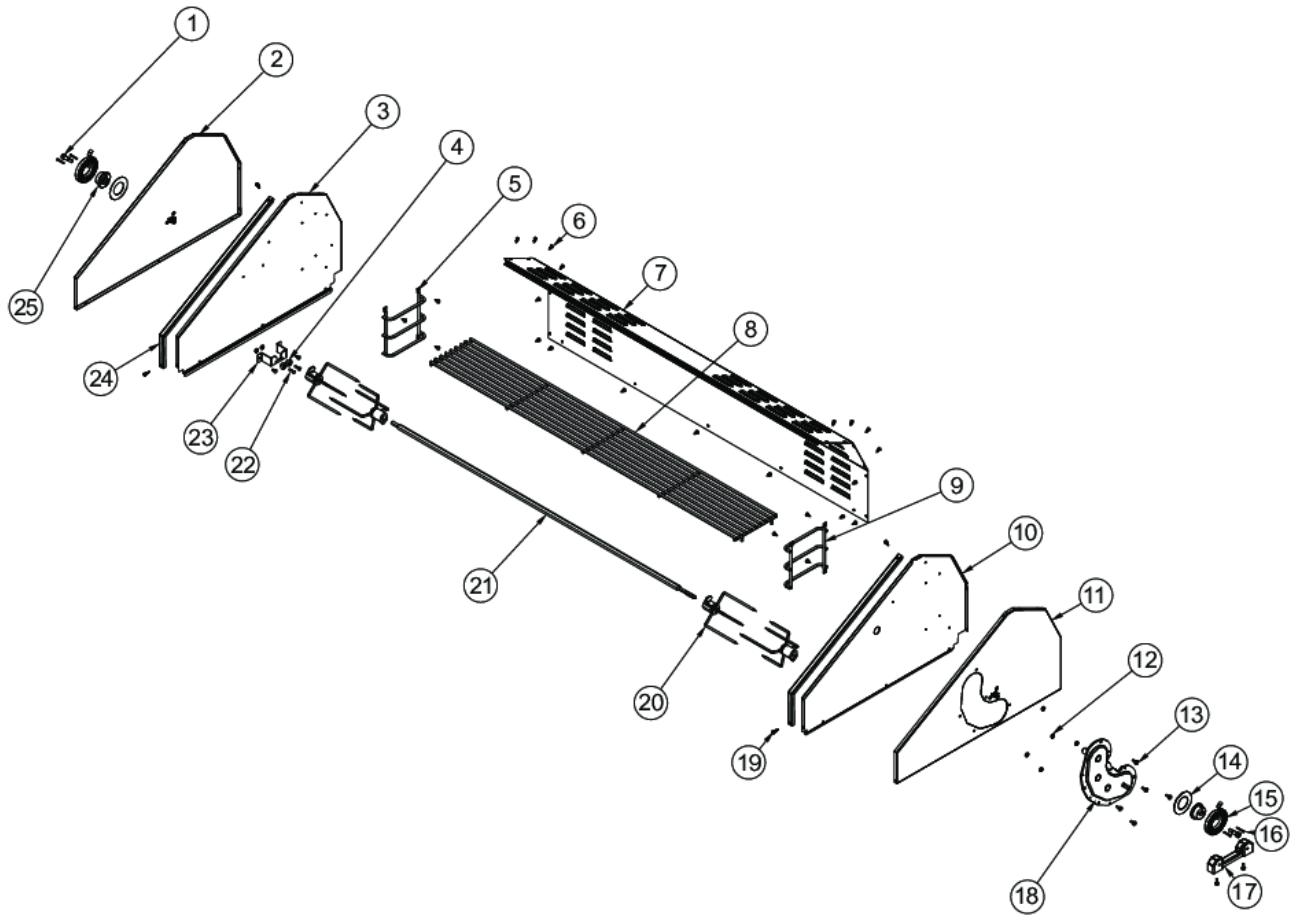


Item	Part No.	Name	Qty	Uom	NOTES
1	002081-000	ROT MOTOR MOUNTING PLATE ASSY	1	EA	
2	PE070184	ROTISSERIE MOTOR	1	EA	
3	PD020055	' #10 X 1/2" PAN PHIL. TEK.*SS*	6	EA	
4	B2005285	PHASE II ROTIS BOX FRONT	1	EA	
5	B2005286	PHASE II ROTIS COVER	1	EA	
6	PE050051	ROTIS SWITCH	1	EA	
7	PE070189	ELECTRICAL SUPPLY CORD - BBQ GRILL	1	EA	
8	PD040044	SNAP THRU BUSHING 1/4"DIA CORD	1	EA	
9	B2005284	PHASE II ROTIS BOX FRONT	1	EA	
10	PD020056	' #10-24 X 1/2" PH.TR. M.S. *SS*	4	EA	
11	PD010090	ROTIS FASTENER KNOB	2	EA	
NI	G3205282	ROTIS MOTOR ASSEMBLY (PHASE 2)	1	EA	
Not Shown	NOTE	(INCLUDES ITEMS 1 THRU 11)		EA	

UPPER GRILLE AREA



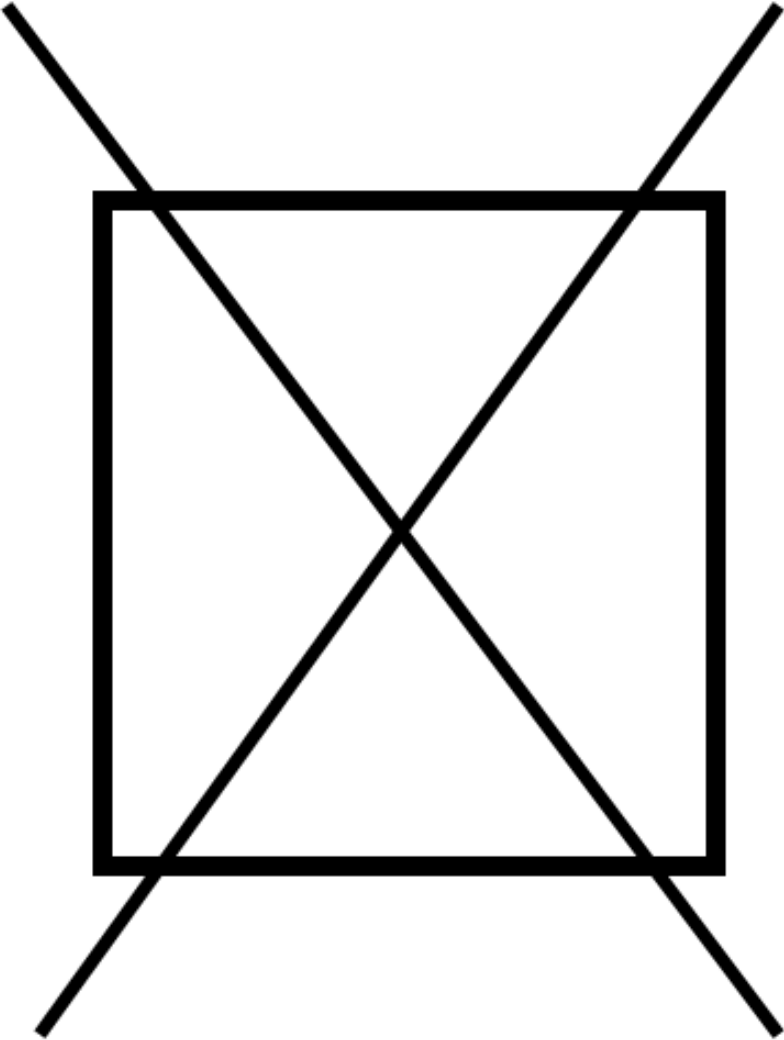
Item	Part No.	Name	Qty	Uom	NOTES
1	034607-000	FASTENER, BOLT, 5/16 - 1-1/2"	2	EA	
2	G5005257	O/S Windshield Assy - LH	1	EA	
3	B20015419	INSIDE WINDSHIELD LH	1	EA	Not available online / Call for pricing and availability
4	PC020025	DRIP TRAY WHEEL	2	EA	
5	PB060113	WARMING RACK SUPPORT LH	1	EA	
6	PD020055	' #10 X 1/2" PAN PHIL. TEK.*SS*	25	EA	
7	003654-000	53" GRILL REAR COVER	1	EA	Not available online / Call for pricing and availability
8	PB060050	WARMING RACK 53" FULL	1	EA	
9	PB060112	WARMING RACK SUPPORT RH	1	EA	
10	B20015418	INSIDE WINDSHIELD RH	1	EA	Not available online / Call for pricing and availability
11	G5005256	O/S Windshield Assy - RH	1	EA	Not available online / Call for pricing and availability
12	PD030044	10-24 KEPS NUT *SS*	7	EA	
13	PD020056	' #10-24 X 1/2" PH.TR. M.S. *SS*	7	EA	
14	007818-000	RETAINER, CANOPY SPRING	2	EA	
15	007257-000	CANOPY, SPRING, ASSIST- 53"	2	EA	
16	006779-000	#6-32 x 1.0 SS FLAT HD SCREW	4	EA	
17	PB060055	Rotis. Mount Casting	1	EA	
18	PC070024	ROTIS. GEAR BOX ASSY	1	EA	
19	020037-000	SCR, DR, FCSKHP, 410 SS, NPLT, 8-18 x 3/4	4	EA	
20	032881-000	FORK, RTSR	4	EA	
21	PB060052	ROTIS SPIT ROD 53"	1	EA	
22	PD020082	10 X 24 COUNTERSUNK S.S. SCREW	2	EA	
23	B2005278	ROTISSERIE ROLLER BRACKET (PHASE 2)	1	EA	
24	B20015574	GRILL WINDSHIELD TRIM	2	EA	





Item	Part No.	Name	Qty	Uom	NOTES
25	005942-000	SPRING INDEX	2	EA	

NON ILLUSTRATED PART





Item	Part No.	Name	Qty	Uom	NOTES
NI	026340-000	HARNESS, MAIN, 5304RE2	1	EA	



Appendix A:Pages Index

BURNER BOX AREA 1
BURNER GRATE AREA 2
CANOPY AREA 3
CONTROL PANEL 4
DRIP TRAY 5
ROTISSERIE BURNER AREA 6
ROTISSERIE MOTOR ASSEMBLY 7
UPPER GRILLE AREA 8
WIRING 9



Appendix B:Parts Index

000268-000	3	015009-000	4
000602-000	6	020037-000	8
000603-000	6	020041-000	4, 6
001310-000	6	023000-000	2
002081-000	7	023653-000	4, 4
002353-000	1	024157-000	2
002354-000	1	025542-000	1
002355-000	1	025543-000	1
002369-000	2	025544-000	1
002370-000	2	025545-000	1
002671-000	1	025560-000	1
002884-000	4	025566-000	1
003561-000	4	025583-000	4
003562-000	4	025723-000	4
003563-000	4	026340-000	9
003630-000	3	027596-000	2
003632-000	3	032881-000	8
003633-000	3	034607-000	8
003638-000	3	042576-000	6
003639-000	3	042720-000	3
003654-000	8	046328-000	4
003858-000	1	050172-000	3, 4
004089-000	1	A20015410	1
004706-000	2	A20015412	1
005941-000	3	B20011414	1
005942-000	8	B20015401	6
005999-000	4	B20015402	6
006010-000	1	B20015403	6
006011-000	1	B20015415	2
006021-000	4	B20015418	8
006388-000	4	B20015419	8
006779-000	8	B20015508	1
007215-000	3	B20015511	1
007257-000	8	B20015514	1
007379-000	3	B20015518	6
007657-000	4	B20015521	6
007818-000	8	B20015568	1
008026-000	2, 4	B20015574	8
008091-000	2, 2	B2005203	1
008773-000	4	B2005204	1
		B2005244	1



B2005278	8	PB040124	6
B2005284	7	PB040160	6
B2005285	7	PB040228	4
B2005286	7	PB040263	4
B2005309	5	PB040280	6
B2005316	5	PB050060	6
B2005317	5	PB060050	8
B2005347	6	PB060052	8
B2006305	1	PB060055	8
B2008925	2	PB060112	8
B2008931	2	PB060113	8
B2008932	2	PC020025	5, 8
B2008936	1	PC070024	8
B2008939	1	PD010012	4
B2008943	2	PD010090	7
B2008962	2	PD020055	1, 2, 3, 4, 5, 6, 7, 8
B30015552	1	PD020056	1, 2, 3, 4, 5, 7, 8
B3005313	5	PD020069	3
E9107203	6	PD020073	4
G3005214	5	PD020082	5, 8
G3005215	5	PD020139	6
G3005221	4	PD020166	1, 2
G3005289	6	PD030006	4
G3205282	7	PD030044	5, 8
G3208933	2	PD030048	6
G5005256	8	PD030050	1, 4
G5005257	8	PD040004	5
G91015546	6	PD040010	3
G91015561	6	PD040044	1, 7
J2101749	5	PE030040	3
L1004882	1	PE030187	2
L1005398	1	PE030197	2
PA020045	1	PE050019	4
PA020047	1	PE050051	7
PA020048	1	PE050063	4
PA070006	4	PE070184	7
PB010163	4	PE070189	7
PB020096	6	PE070791	1
PB020114	2	PE070855	1
PB020239	4		
PB040046	4		