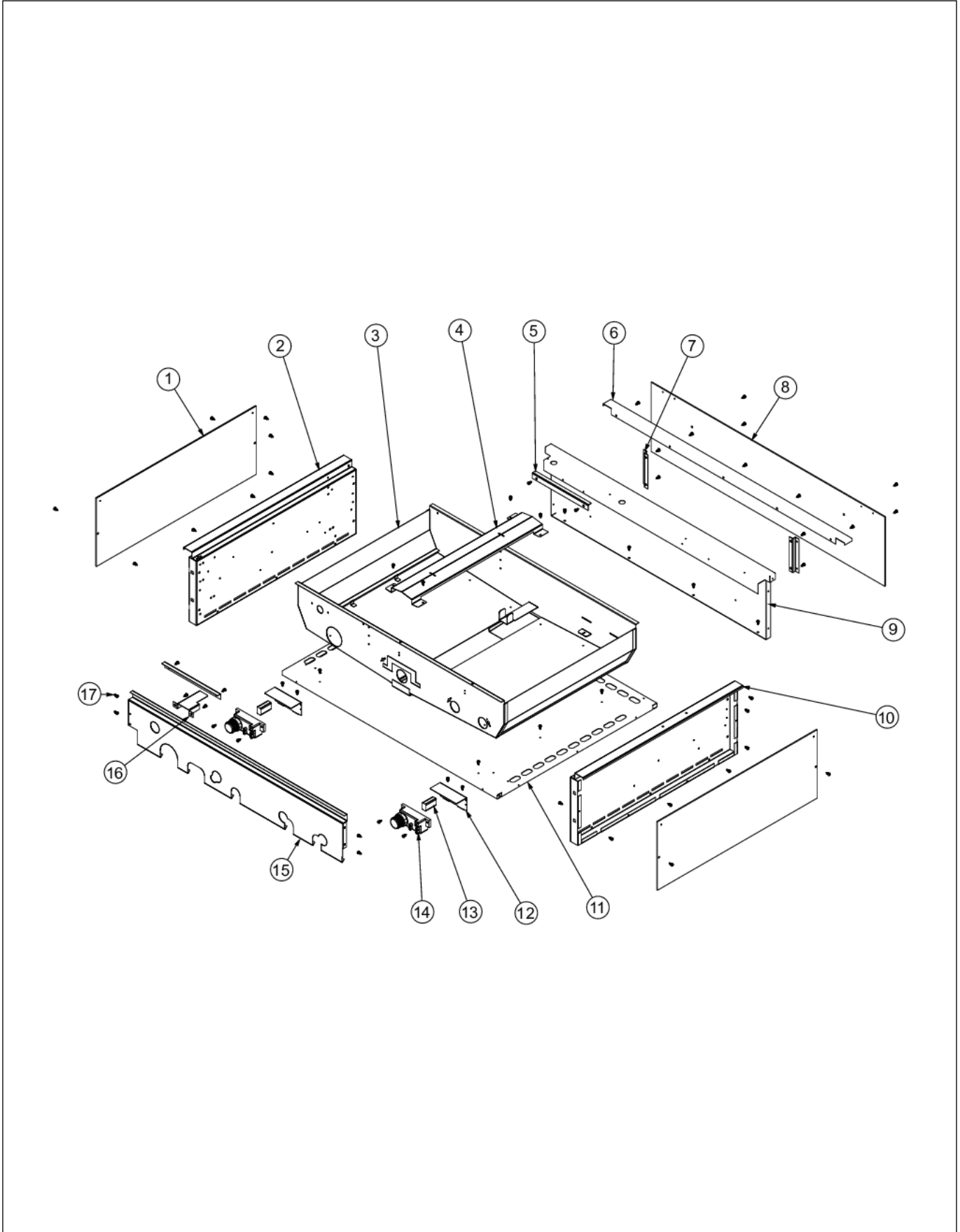


VGIQ4103RT1SS

BURNER BOX AREA	1
BURNER GRATE AREA	2
CANOPY AREA	3
CONTROL PANEL	4
DRIP TRAY	5
ROTISSERIE BURNER AREA	6
ROTISSERIE MOTOR ASSEMBLY	7
UPPER GRILLE AREA	8
Appendix A:Pages Index	A
Appendix B:Parts Index	B

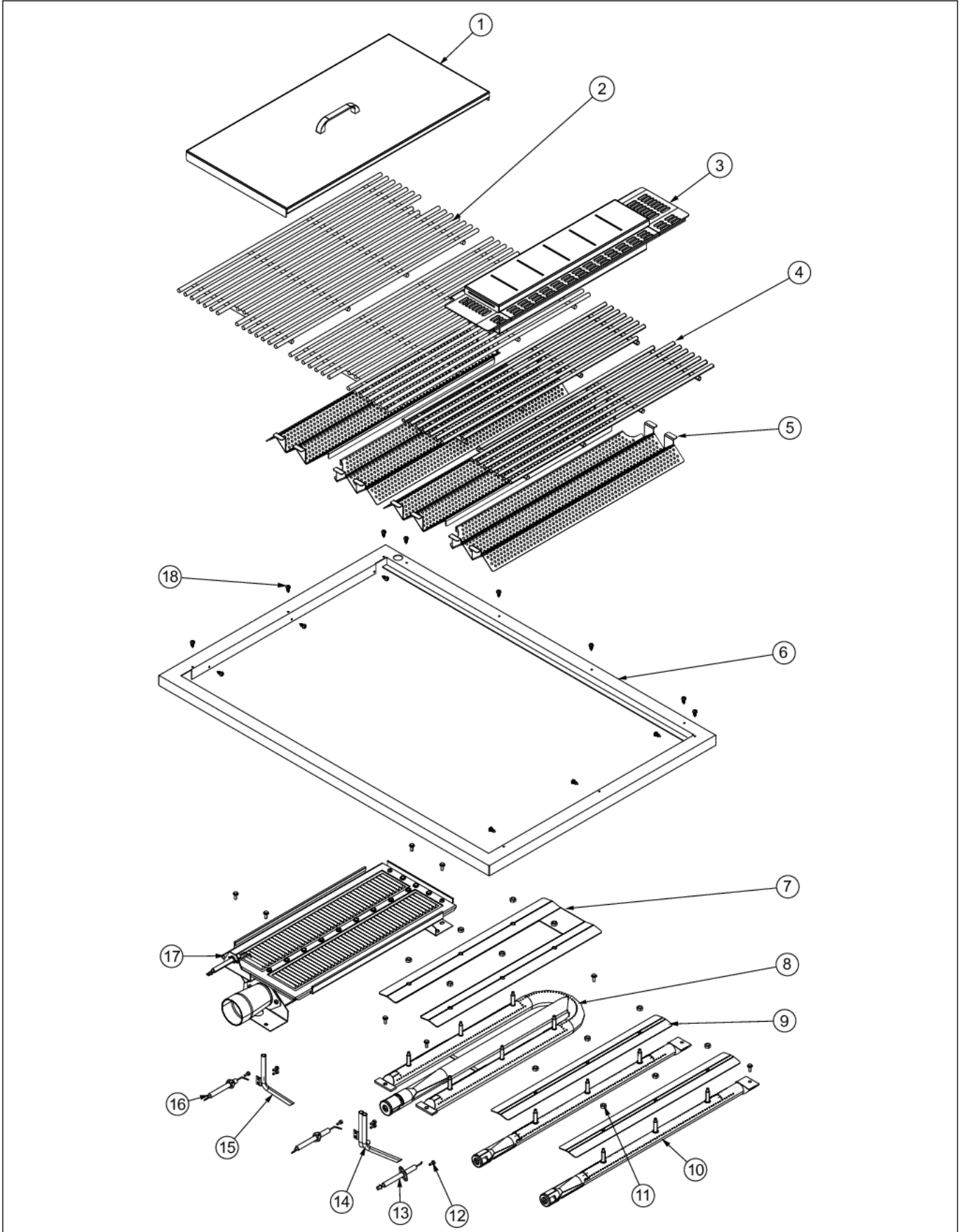
BURNER BOX AREA





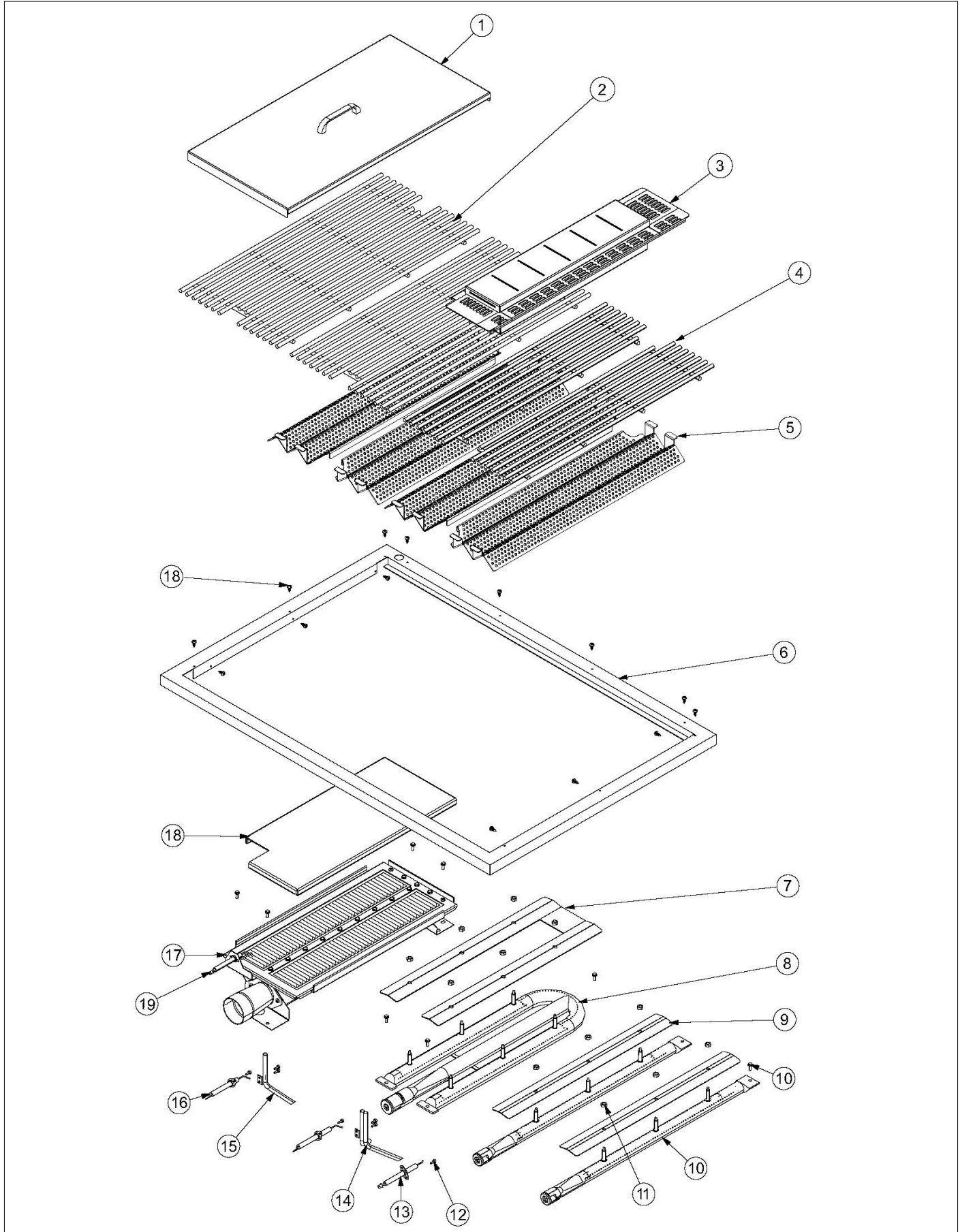
Item	Part No.	Name	Qty	Uom	NOTES
1	L1005398	Side Heat Shield	2	EA	
2	B2005204	Grill Box Side - LH	1	EA	
3	G3008944	BURNER BOX ASSY 41	1	EA	
4	B2005246	BURNER BOX SHIELD (PHASE 2)	1	EA	
5	B2008936	GRATE SPACER	2	EA	NO LONGER AVAILABLE, Not available online / Call for pricing and availability
6	003857-000	4103 GRILL REAR TRIM	1	EA	
7	B2006305	HEAT SHIELD BRACKET	2	EA	
8	L1004881	Rear Heat Shield	1	EA	
9	B20015512	GRILL BOX BACK 41"	1	EA	
10	B2005203	Grill Box Side - RH	1	EA	
11	B20015509	GRILL BOX BOTTOM 41"	1	EA	
12	B2005250	SPARK MODULE BRACKET (PHASE 2)	2	EA	
13	PM010049	SPARK MODULE BATTERY PHASE II	2	EA	
14	PA020036	SPARK MODULE	2	EA	
15	B2007806	41 IN GRILL BOX FRONT NO/SIDE	1	EA	
16	B2008939	IR SPARK IGNITOR COVER	1	EA	
17	PD020055	' #10 X 1/2" PAN PHIL. TEK.*SS*	62	EA	

BURNER GRATE AREA

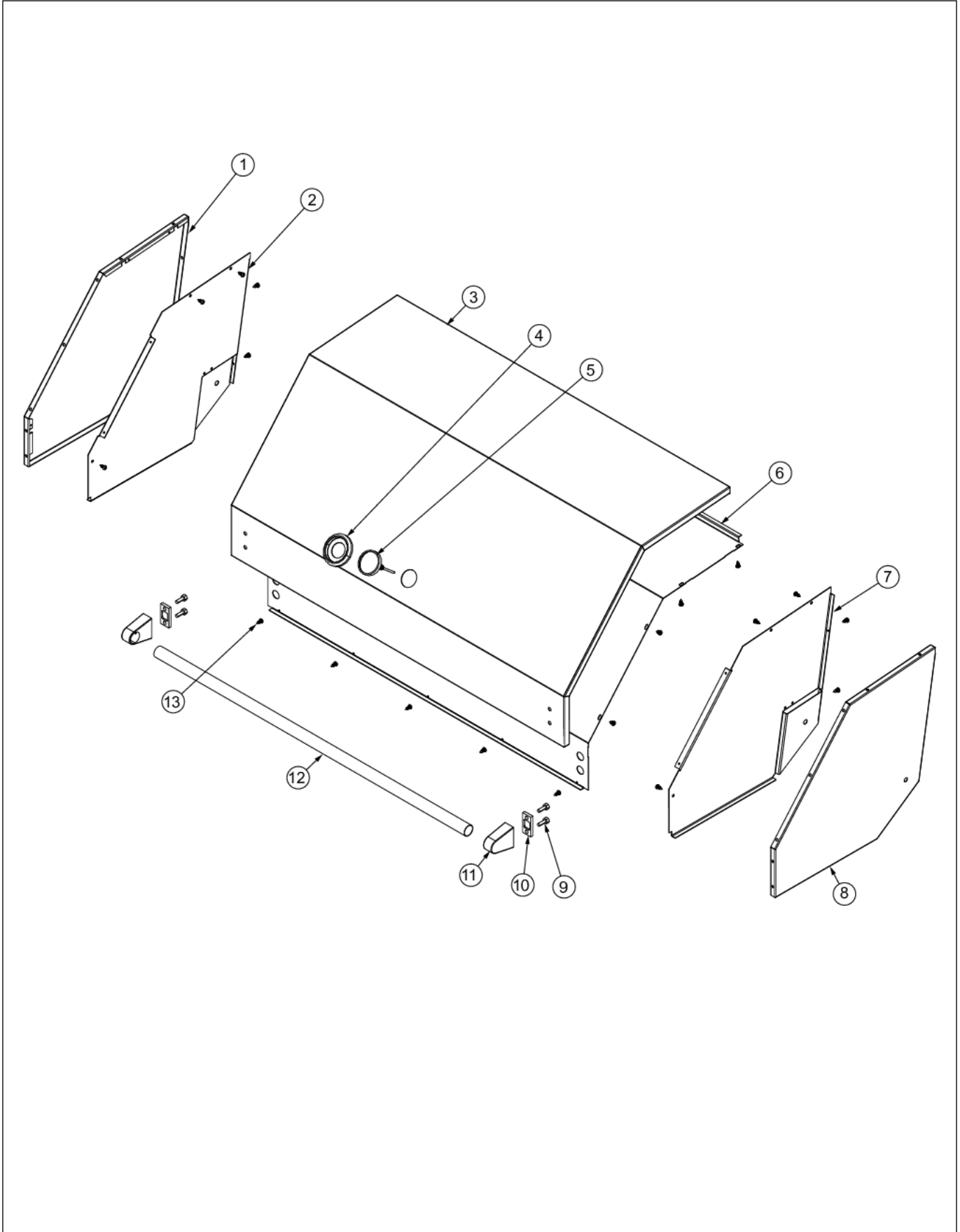




Item	Part No.	Name	Qty	Uom	NOTES
1	G32015421	IR COVER ASSY (VGIQ30)	1	EA	
2	PA060052	Full Grill Grate	2	EA	
2	PA060068	FULL GRATE *SS*	2	EA	
3	027596-000	BOX, SMOKER ASM	1	EA	
4	PA060053	1/2 Grill Grate	2	EA	
4	PA060069	Half Grate SS	2	EA	
5	PK010061	1/2 Flavor Grid	4	EA	
6	B20015515	GRILL FRAME 41"	1	EA	
7	B2004921	Burner Drip Shield	1	EA	
<p>Comments for Part Num. B2004921</p> <p>vharding68@verizon.net on Jul 25, 2017</p> <p>PART NUMBER FOR THE NUTS (TOTAL 18) FOR ALL 4 SHIELDS IS PD030060 KEPS NUT (10-32)</p> <p>I BELIEVE THE PD030044 KEPS NUT (10-24) ARE FOR A DIFFERENT PART OF THE UNIT.</p>					
8	PA080050	Grill Burner	1	EA	
9	B2005324	Burner Drip Shield	2	EA	
10	PA080051	Smoker Burner	2	EA	
11	PD030060	#10-32 KEPS NUT SS	12	EA	
12	PD020067	' #6 X 3/8" PAN PHIL. TEK *SS*	7	EA	
13	008091-000	PB040288 IGNITOR KIT	2	EA	
14	PB020115	SMOKER FLASH TUBE	1	EA	
15	PB020114	FLASH TUBE (VGBQ3002T)	1	EA	
16	PB040160	WOK IGNITER	1	EA	
17	G3208947	Lower I/R Burner Assy	1	EA	
18	B2008943	GREASE SCREEN	1	EA	
19	008090-000	PB040287 IGNITOR KIT	1	EA	



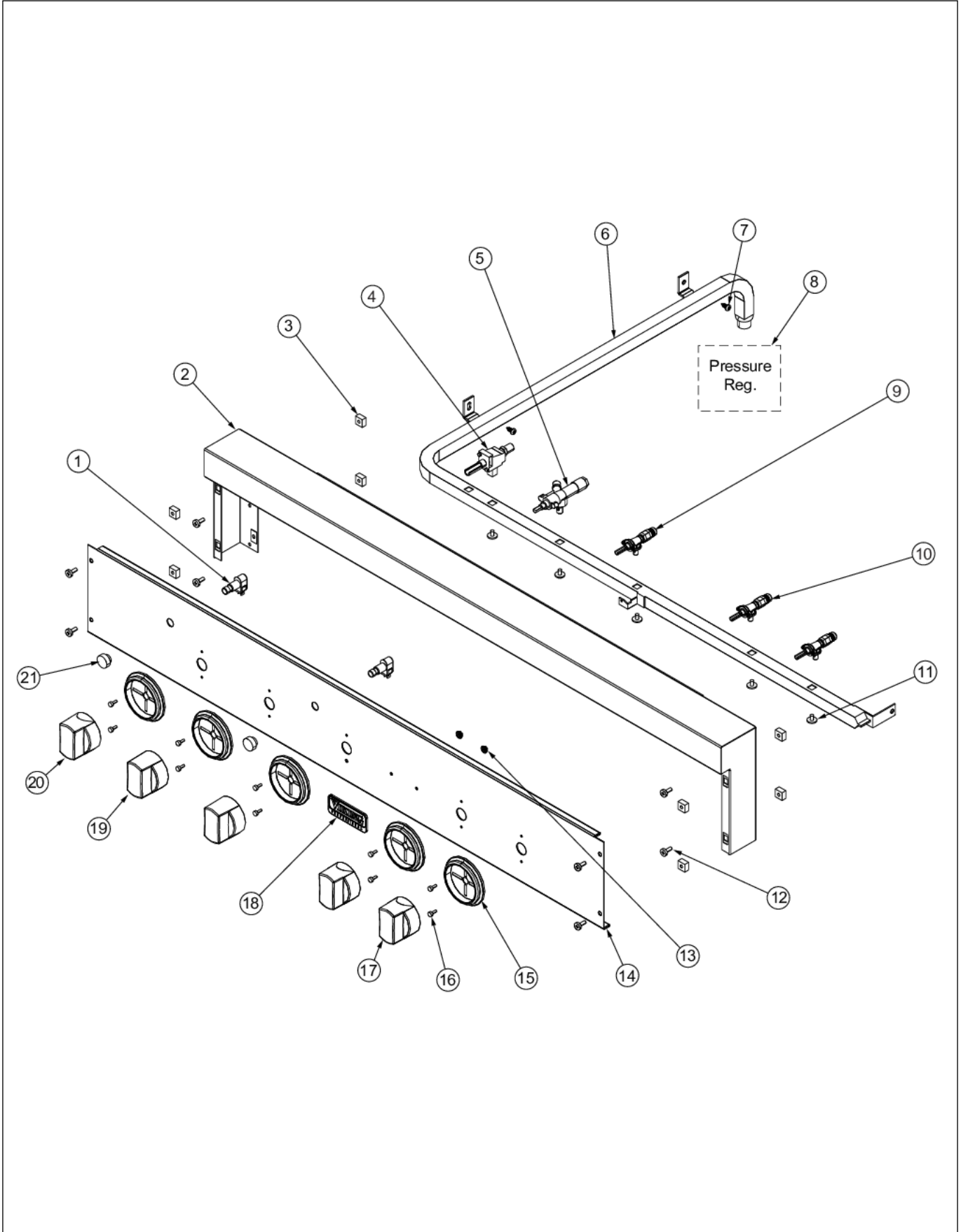
CANOPY AREA





Item	Part No.	Name	Qty	Uom	NOTES
1	003632-000	GRILL CANOPY OUTSIDE LH	1	EA	Not available online / Call for pricing and availability
2	006667-000	GRILL CANOPY INSIDE LH	1	EA	
3	003636-000	41" OUTER CANOPY	1	EA	Not available online / Call for pricing and availability
4	003366-000	THERMOSTAT BEZEL	1	EA	
5	PB010337	GRILL THERMOMETER	1	EA	
6	003637-000	41" CANOPY HEAT SHIELD	1	EA	
7	006666-000	GRILL CANOPY INSIDE RH	1	EA	
8	003630-000	GRILL CANOPY OUTSIDE RH	1	EA	
9	PD020069	CAP SCREW 1/4-20 X 3/4 SS	4	EA	
10	PD040010	DOOR HANDLE SPACER	2	EA	
11	000268-000	HANDLE ENDCAP	2	EA	
12	PE030040	DOOR/CNPY HNDLE - RPLCS PE930090	1	EA	NO LONGER AVAILABLE
13	PD020055	' #10 X 1/2" PAN PHIL. TEK.*SS*	19	EA	

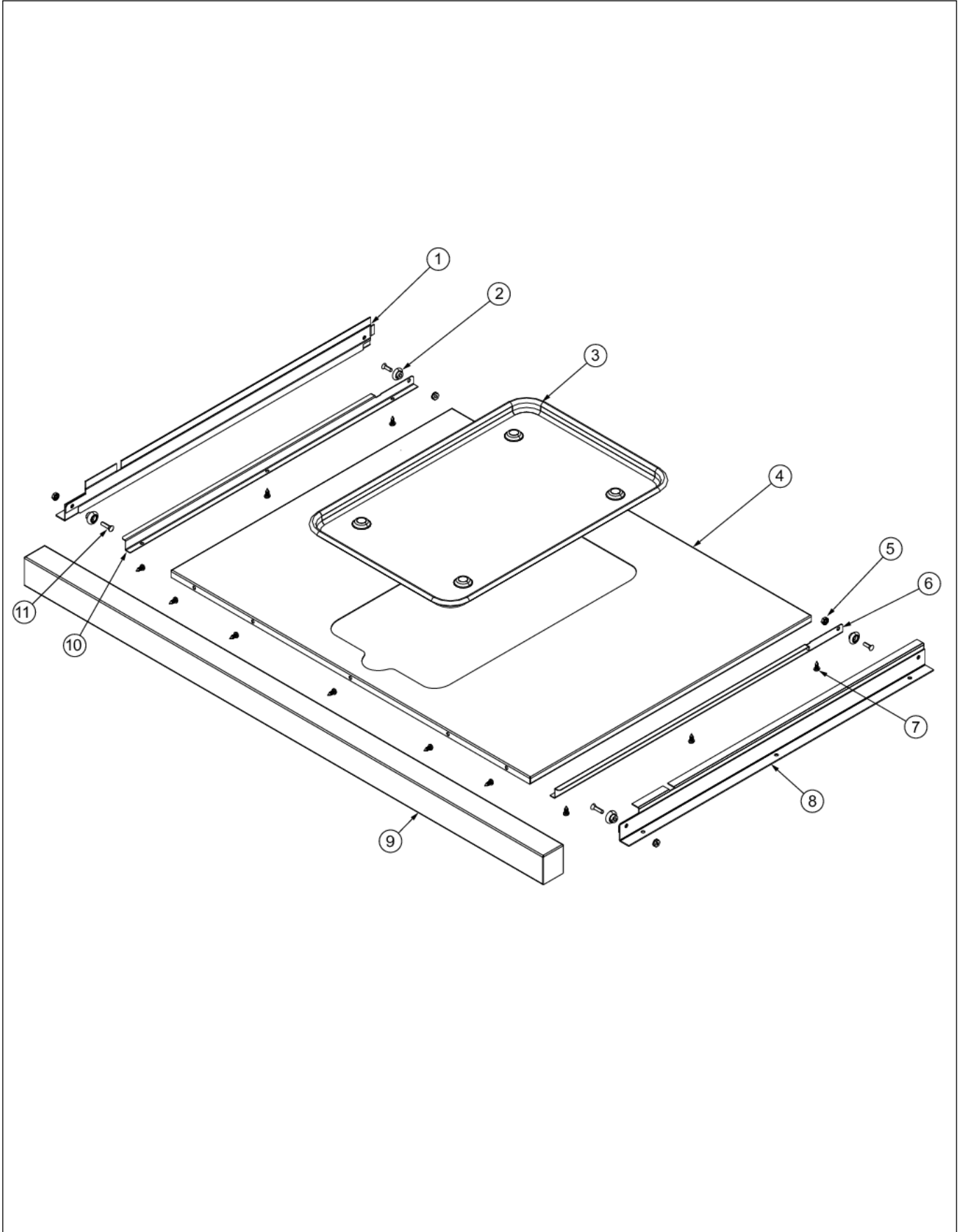
CONTROL PANEL





Item	Part No.	Name	Qty	Uom	NOTES
1	PE050063	SPARKER SWITCH (PHASE 2)	2	EA	
2	G3005222	LANDING LEDGE ASSY-41 (PHASE 2) - NLA	1	EA	
3	PD030050	10-24 CAGE NUT *SS*	8	EA	
4	008773-000	VALVE, GAS ASM - NAT.	1	EA	
4	008774-000	DRAWER STOP (VEWD)	1	EA	Not available online / Call for pricing and availability
5	046328-000	NATURAL ROTIS VALVE - KNOB KIT	1	EA	
6	014951-000	MANIFOLD, 41" VGIQ	1	EA	
7	PD020055	' #10 X 1/2" PAN PHIL. TEK.*SS*	2	EA	
8	G3004936	REGULATOR ASSY - NAT (P1 GRILL)	1	EA	
8	G3004937	REGULATOR ASSY - L.P. W/HOSE	1	EA	
9	014952-000	VALVE, GAS, ASM, U BNR #40	1	EA	
9	014953-000	VALVE, GAS, ASM, U BNR - LP #54	1	EA	
10	014959-000	VALVE, GAS, ASM, SIDE, SMKR, NAT	2	EA	
10	014960-000	VALVE, GAS, ASM, SIDE, SMKR, LP	1	EA	
11	PD010012	1/4 x 3/8 VALVE BOLT	5	EA	
12	PD020056	' #10-24 X 1/2" PH.TR. M.S. *SS*	8	EA	
13	PD030006	CAPPED WASHER PAL NUT	2	EA	
14	B9208963	CTRL PANEL 41 FULL GRILL	1	EA	
15	050172-000	BEZEL, KNOB	5	EA	
16	PD020067	' #6 X 3/8" PAN PHIL. TEK *SS*	10	EA	
17	003561-000	OUTDOOR GRILL KNOB	3	EA	
18	015009-000	OUTDOOR LOGO - 3" CHROME	1	EA	
19	003563-000	ROTIS BURNER KNOB	1	EA	
20	003562-000	OUTDOOR IR GRILL KNOB	1	EA	
21	PB010163	OVEN LIGHT SWITCH KNOB *BK* (VESO/D	2	EA	

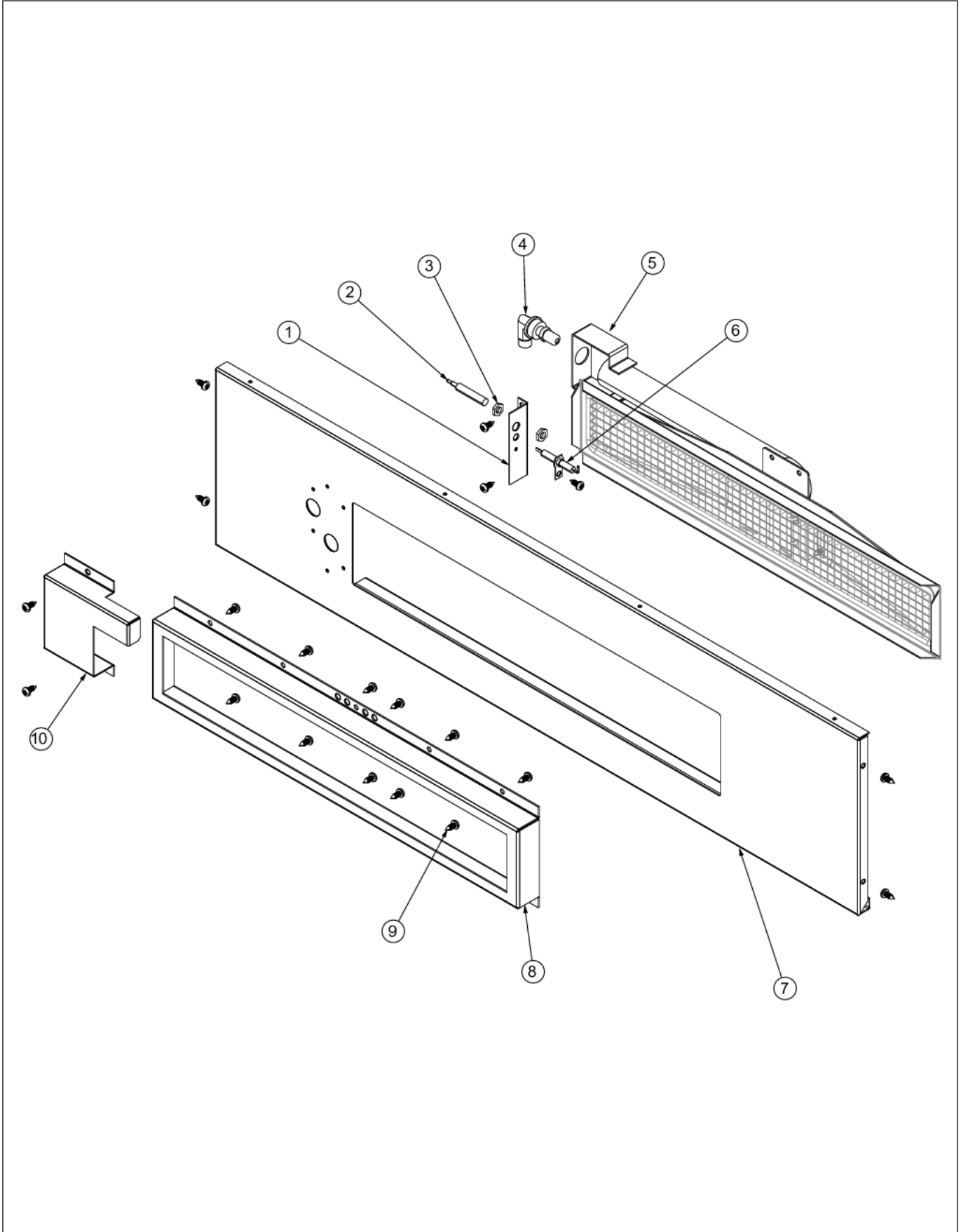
DRIP TRAY





Item	Part No.	Name	Qty	Uom	NOTES
1	G3005214	DRIP TRAY SLIDE - LH	1	EA	
2	PC020025	DRIP TRAY WHEEL	4	EA	
3	J2101749	GREASE PAN	1	EA	
4	B2005310	DRIP TRAY 41 (VGBQ4103RT)	1	EA	
5	PD030044	10-24 KEPS NUT *SS*	4	EA	
6	B2005316	DRIP TRAY RUNNER RH	1	EA	
7	PD020055	' #10 X 1/2" PAN PHIL. TEK.*SS*	11	EA	
8	G3005215	DRIP TRAY SLIDE - RH	1	EA	
9	B3005314	41" DRIP TRAY HANDLE (PHASE 2)	1	EA	
10	B2005317	DRIP TRAY RUNNER LH (PHASE 2)	1	EA	
11	PD020082	10 X 24 COUNTERSUNK S.S. SCREW	4	EA	

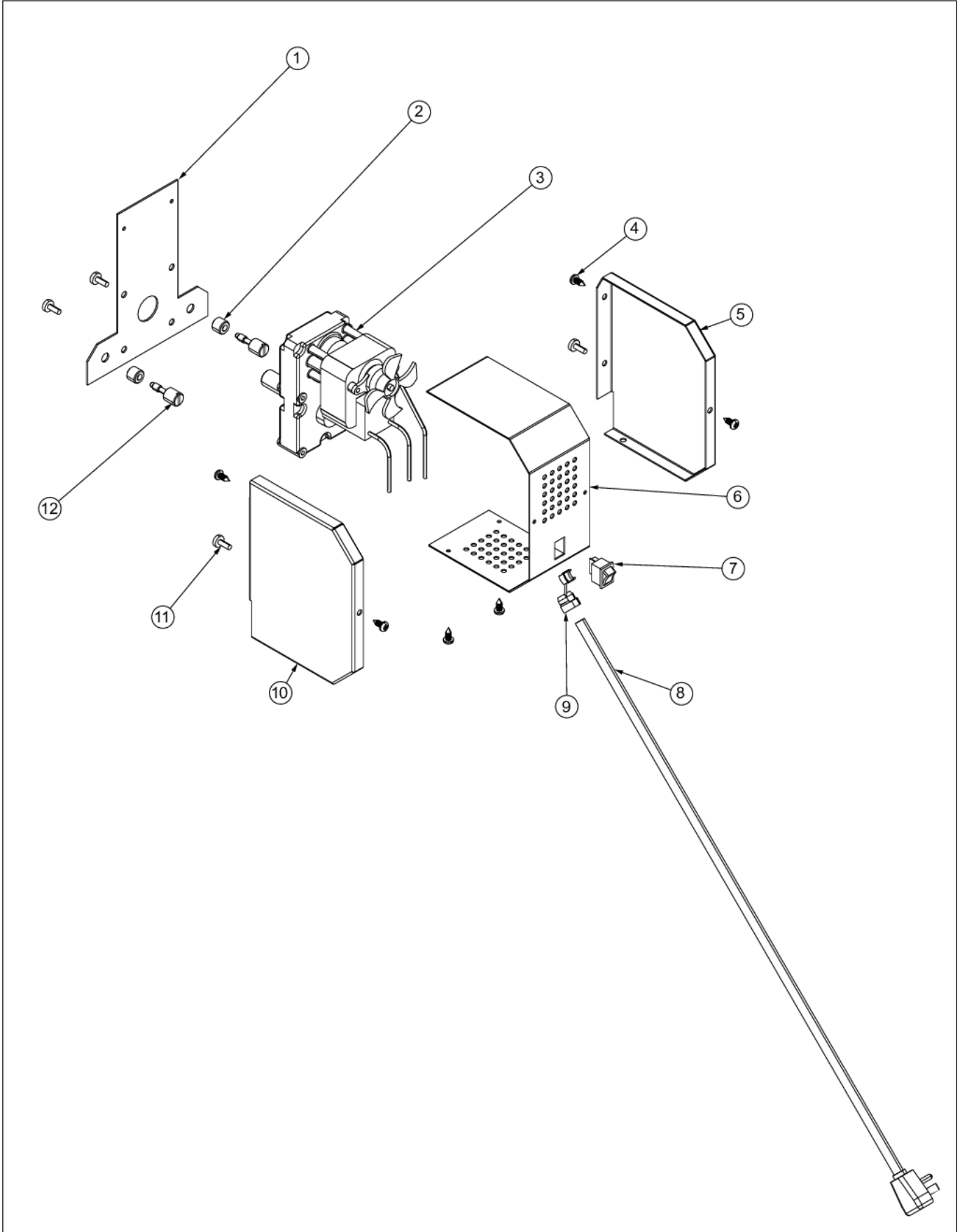
ROTISSERIE BURNER AREA





Item	Part No.	Name	Qty	Uom	NOTES
1	B20015403	IR IGNITOR BRACKET	1	EA	
2	042576-000	THERMOCOUPLE	1	EA	
3	PD030048	THERMOCOUPLE NUT M08-VGBQ-8743300007	2	EA	
4	PB040124	90 DEG. ORIFICE FITTING	1	EA	
5	G3005289	I/R Burner Assy	1	EA	
6	PB040280	FLEXIBLE ROTISSERIE IGNITOR	1	EA	
7	G91015545	41" FRONT HOUSING WELD ASSY	1	EA	
8	B2005347	I/R Frame	1	EA	
9	PD020055	' #10 X 1/2" PAN PHIL. TEK.*SS*	20	EA	
10	B2008939	IR SPARK IGNITOR COVER	1	EA	

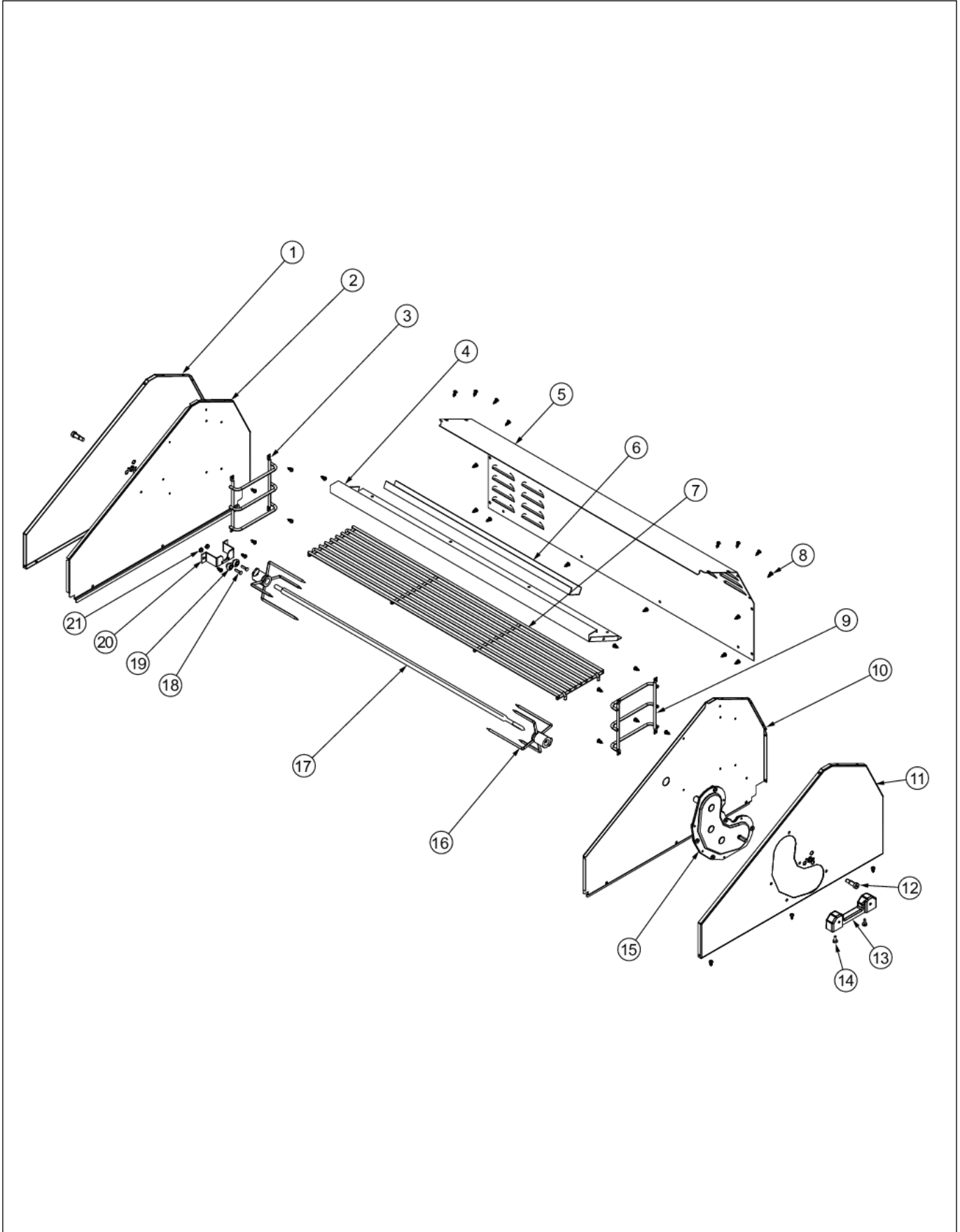
ROTISSERIE MOTOR ASSEMBLY





Item	Part No.	Name	Qty	Uom	NOTES
1	B1005283	ROTIS. MOUNTING PLATE (PHASE 2)	1	EA	
2	PD030064	CAPTURE NUT 1/4" #20	2	EA	
3	PE070184	ROTISSERIE MOTOR	1	EA	
4	PD020055	' #10 X 1/2" PAN PHIL. TEK.*SS*	6	EA	
5	B2005285	PHASE II ROTIS BOX FRONT	1	EA	
6	B2005286	PHASE II ROTIS COVER	1	EA	
7	PE050051	ROTIS SWITCH	1	EA	
8	PE070189	ELECTRICAL SUPPLY CORD - BBQ GRILL	1	EA	
9	PD040044	SNAP THRU BUSHING 1/4"DIA CORD	1	EA	
10	B2005284	PHASE II ROTIS BOX FRONT	1	EA	
11	PD020056	' #10-24 X 1/2" PH.TR. M.S. *SS*	4	EA	
12	PD010090	ROTIS FASTENER KNOB	1	EA	
NI	G3205282	ROTIS MOTOR ASSEMBLY (PHASE 2)	1	EA	
Not Shown	NOTE	(INCLUDES ITEMS 1 THRU 12)		EA	

UPPER GRILLE AREA





Item	Part No.	Name	Qty	Uom	NOTES
1	B20015576	OUTSIDE WINDSHIELD-LH	1	EA	
2	B20015419	INSIDE WINDSHIELD LH	1	EA	Not available online / Call for pricing and availability
3	PB060113	WARMING RACK SUPPORT LH	2	EA	
4	G9105395	Front Housing Top Weld Assy - NLA	1	EA	
5	003653-000	41" GRILL REAR COVER	1	EA	Not available online / Call for pricing and availability
6	E2005397	FRONT HOUSING TOP BRACKET	1	EA	NO LONGER AVAILABLE, Not available online / Call for pricing and availability
7	PB060056	Warming Rack	1	EA	
8	PD020055	' #10 X 1/2" PAN PHIL. TEK.*SS*	33	EA	
9	PB060112	WARMING RACK SUPPORT RH	1	EA	
10	B20015418	INSIDE WINDSHIELD RH	1	EA	Not available online / Call for pricing and availability
11	B20015575	OUTSIDE WINDSHIELD - RH	1	EA	
12	PD010043	5/16INCH SHOULDER BOLT (PHASE 2)	2	EA	
13	PB060055	Rotis. Mount Casting	1	EA	
14	PD020056	' #10-24 X 1/2" PH.TR. M.S. *SS*	2	EA	
15	PC070024	ROTIS. GEAR BOX ASSY	1	EA	
16	032881-000	FORK, RTSR	2	EA	
17	PB060053	Spit Rod	1	EA	
18	PD020082	10 X 24 COUNTERSUNK S.S. SCREW	2	EA	
19	PC020025	DRIP TRAY WHEEL	2	EA	
20	B2005278	ROTISSERIE ROLLER BRACKET (PHASE 2)	1	EA	
21	PD030044	10-24 KEPS NUT *SS*	2	EA	



Appendix A:Pages Index

BURNER BOX AREA 1
BURNER GRATE AREA 2
CANOPY AREA 3
CONTROL PANEL 4
DRIP TRAY 5
ROTISSERIE BURNER AREA 6
ROTISSERIE MOTOR ASSEMBLY 7
UPPER GRILLE AREA 8



Appendix B:Parts Index

000268-000	3	B2005246	1
003366-000	3	B2005250	1
003561-000	4	B2005278	8
003562-000	4	B2005284	7
003563-000	4	B2005285	7
003630-000	3	B2005286	7
003632-000	3	B2005310	5
003636-000	3	B2005316	5
003637-000	3	B2005317	5
003653-000	8	B2005324	2
003857-000	1	B2005347	6
006666-000	3	B2006305	1
006667-000	3	B2007806	1
008090-000	2	B2008936	1
008091-000	2	B2008939	1, 6
008773-000	4	B2008943	2
008774-000	4	B3005314	5
014951-000	4	B9208963	4
014952-000	4	E2005397	8
014953-000	4	G3004936	4
014959-000	4	G3004937	4
014960-000	4	G3005214	5
015009-000	4	G3005215	5
027596-000	2	G3005222	4
032881-000	8	G3005289	6
042576-000	6	G3008944	1
046328-000	4	G32015421	2
050172-000	4	G3205282	7
B1005283	7	G3208947	2
B20015403	6	G91015545	6
B20015418	8	G9105395	8
B20015419	8	J2101749	5
B20015509	1	L1004881	1
B20015512	1	L1005398	1
B20015515	2	PA020036	1
B20015575	8	PA060052	2
B20015576	8	PA060053	2
B2004921	2	PA060068	2
B2005203	1	PA060069	2
B2005204	1	PA080050	2
		PA080051	2



PB010163 4
PB010337 3
PB020114 2
PB020115 2
PB040124 6
PB040160 2
PB040280 6
PB060053 8
PB060055 8
PB060056 8
PB060112 8
PB060113 8
PC020025 5, 8
PC070024 8
PD010012 4
PD010043 8
PD010090 7
PD020055 1, 3, 4, 5, 6, 7, 8
PD020056 4, 7, 8
PD020067 2, 4
PD020069 3
PD020082 5, 8
PD030006 4
PD030044 5, 8
PD030048 6
PD030050 4
PD030060 2
PD030064 7
PD040010 3
PD040044 7
PE030040 3
PE050051 7
PE050063 4
PE070184 7
PE070189 7
PK010061 2
PM010049 1