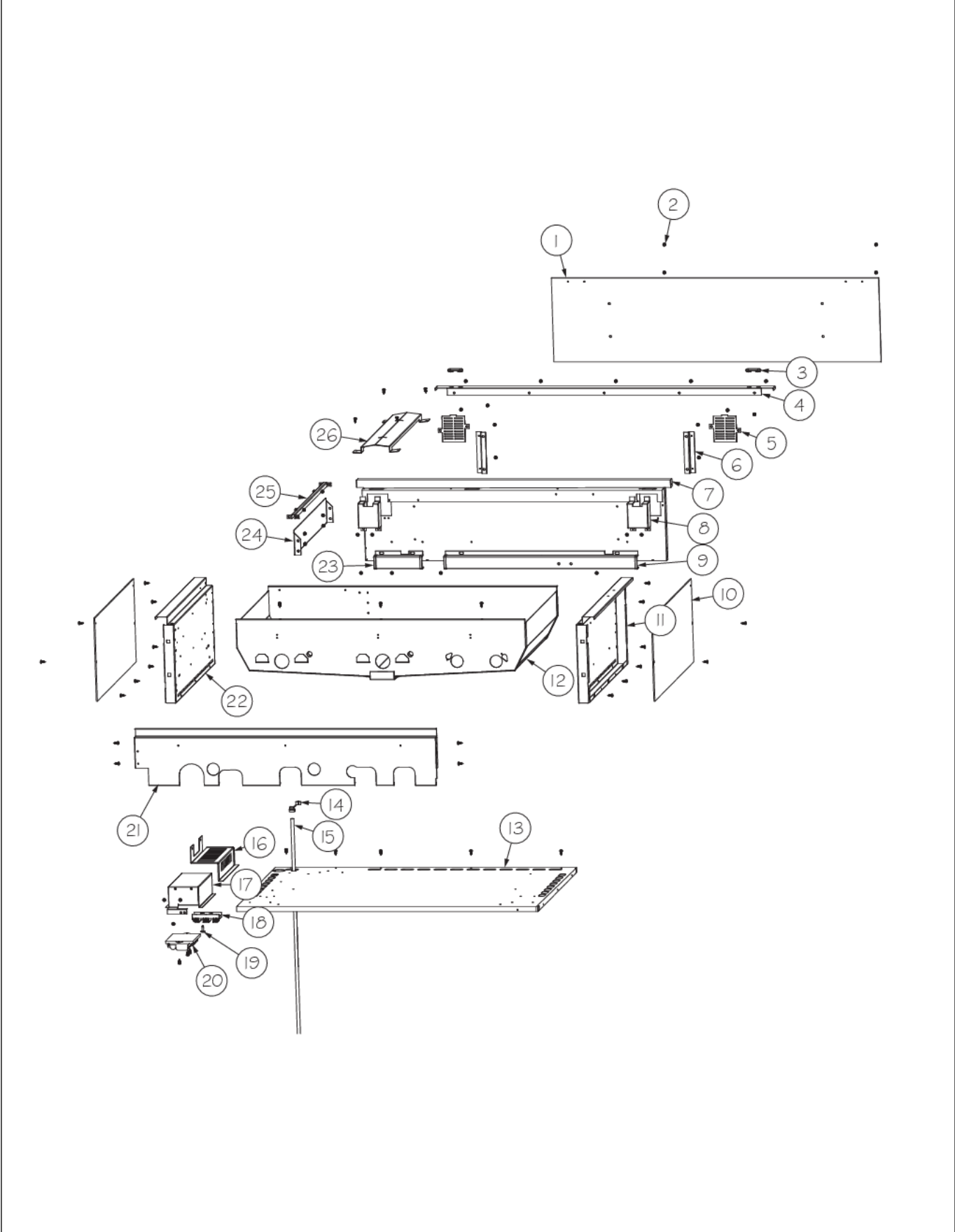


VGIQ4103RE1

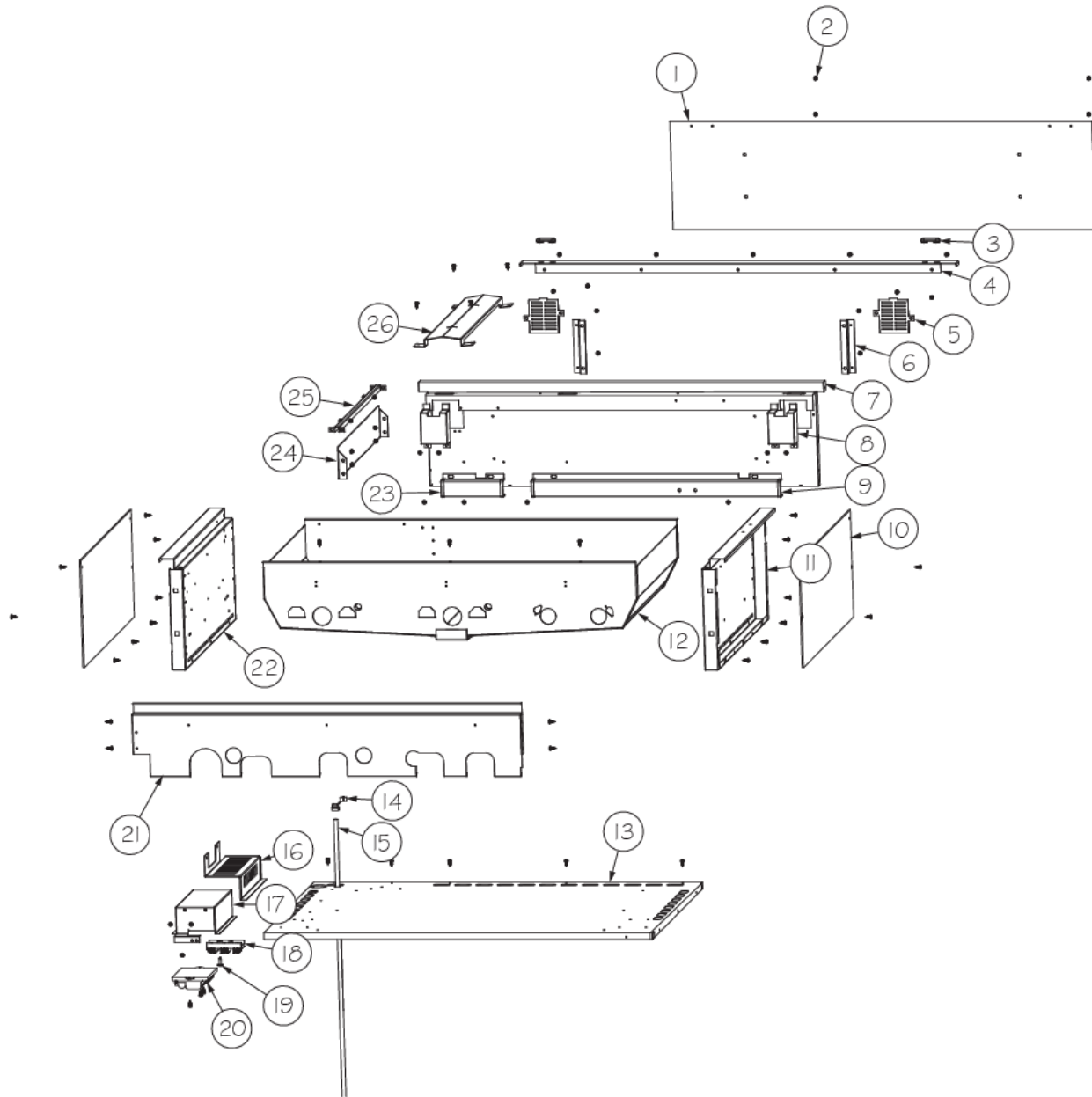
BURNER BOX AREA	1
BURNER GRATE AREA	2
CANOPY ASSEMBLY	3
CONTROL AREA	4
DRIP TRAY	5
LP GAS REGULATOR ASSEMBLY	6
NATURAL GAS REGULATOR ASSEMBLY	7
ROTISSERIE BURNER AREA	8
ROTISSERIE MOTOR ASSEMBLY	9
UPPER GRILL AREA	10
WIRING	11
Appendix A:Pages Index	A
Appendix B:Parts Index	B

BURNER BOX AREA





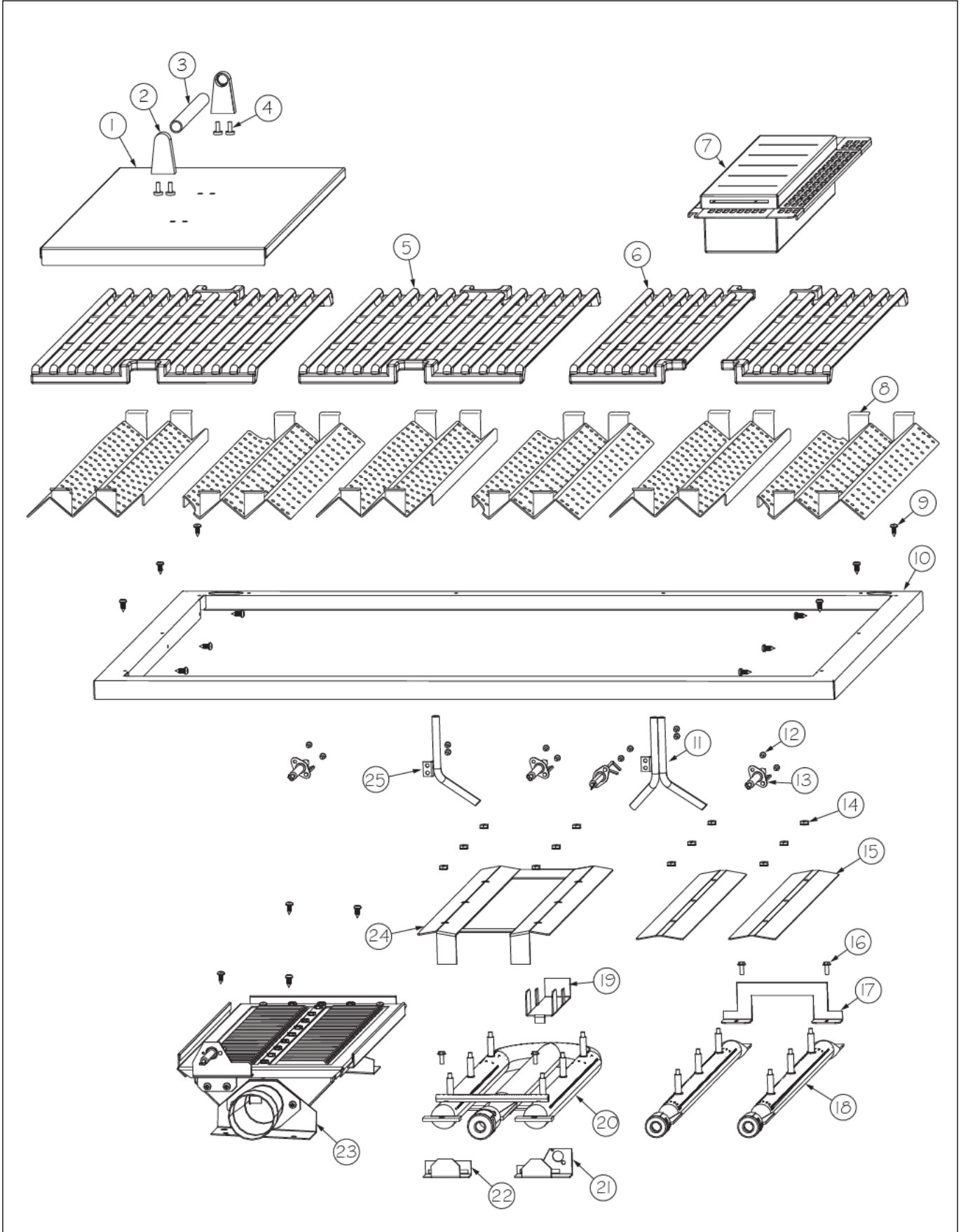
Item	Part No.	Name	Qty	Uom	NOTES
1	L1004881	Rear Heat Shield	1	EA	
2	PD020055	' #10 X 1/2" PAN PHIL. TEK.*SS*	69	EA	
3	002671-000	RUBBER DOOR BUMPER	2	EA	
4	003857-000	4103 GRILL REAR TRIM	1	EA	
5	002353-000	GRILL PLUG VENT	2	EA	NO LONGER AVAILABLE, Not available online / Call for pricing and availability
6	B2006305	HEAT SHIELD BRACKET	2	EA	
7	B20015512	GRILL BOX BACK 41"	1	EA	
8	002355-000	GRILL RECEPTACLE BOX	2	EA	
9	A20015411	GRILL WIRE CHANNEL - 41" REAR	1	EA	
10	L1005398	Side Heat Shield	2	EA	
11	B2005203	Grill Box Side - RH	1	EA	
12	006770-000	BURNER BOX ASSY, 41	1	EA	
13	B20015509	GRILL BOX BOTTOM 41"	1	EA	
14	PD040044	SNAP THRU BUSHING 1/4"DIA CORD	1	EA	
15	PE070791	GRILL POWER SUPPLY CORD (8 FT)	1	EA	
16	004089-000	POWER CORD SHIELD	1	EA	
17	B30015553	0+6 SPARK MODULE TERMINAL HOUSING	1	EA	
18	PE070147	TERMINAL BLOCK (VDSC)	1	EA	
19	PD020014	10X3/4 PH TR HD SMS	1	EA	
20	PA020048	Spark Module (6B /6G/ 4Q)	1	EA	
21	008635-000	N/A	1	EA	Not available online / Call for pricing and availability
22	B2005204	Grill Box Side - LH	1	EA	
23	A20015412	GRILL WIRE CHANNEL - 42" SHORT	1	EA	
24	B20011414	BURNER BOX DIVIDER (VGIQ300T)	1	EA	
25	B2005244	BURNER BOX CENTER TRIM	1	EA	





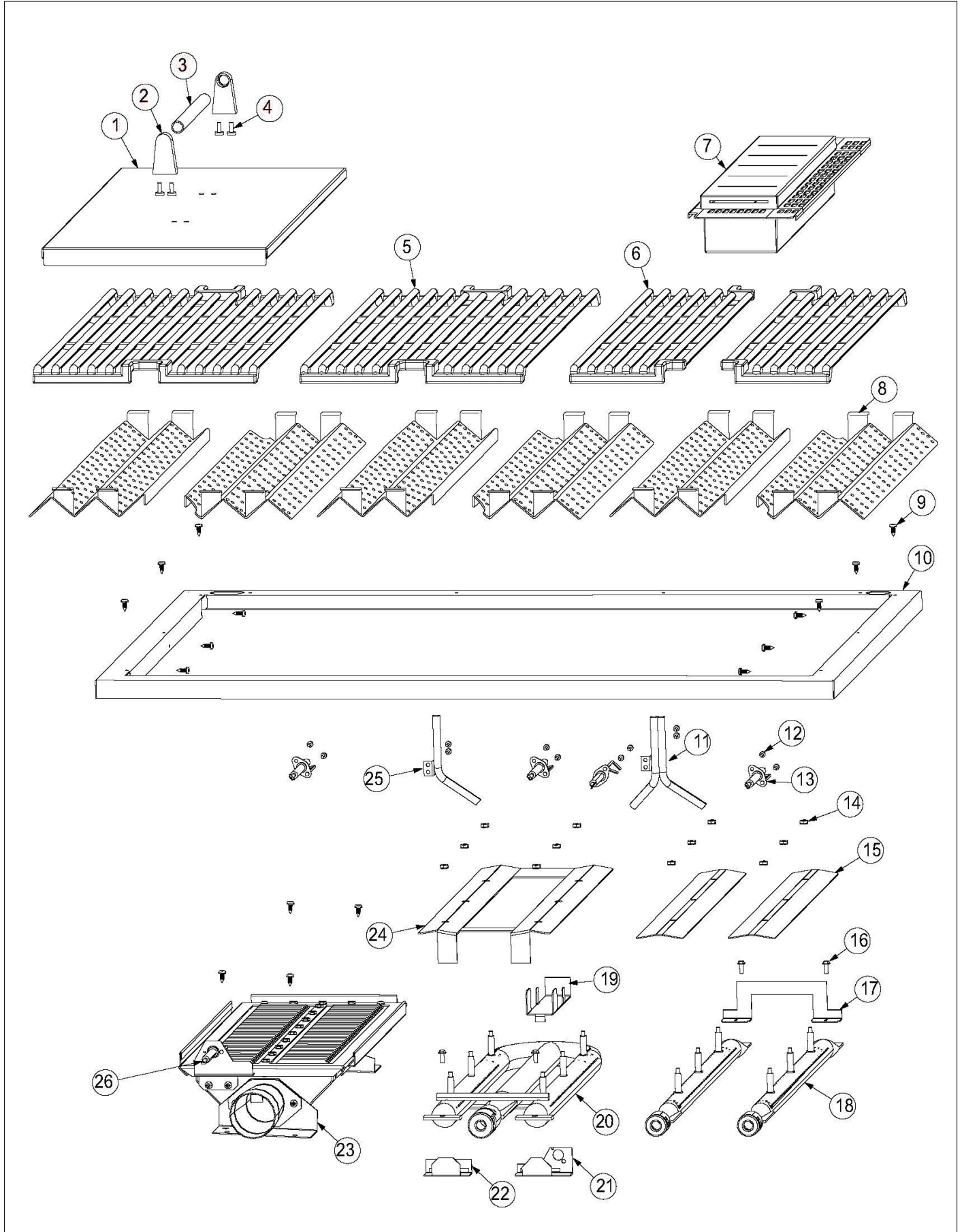
Item	Part No.	Name	Qty	Uom	NOTES
26	B2005246	BURNER BOX SHIELD (PHASE 2)	1	EA	
NI	019962-000	SERVICE POWER CORD SHIELD KIT	1	EA	

BURNER GRATE AREA

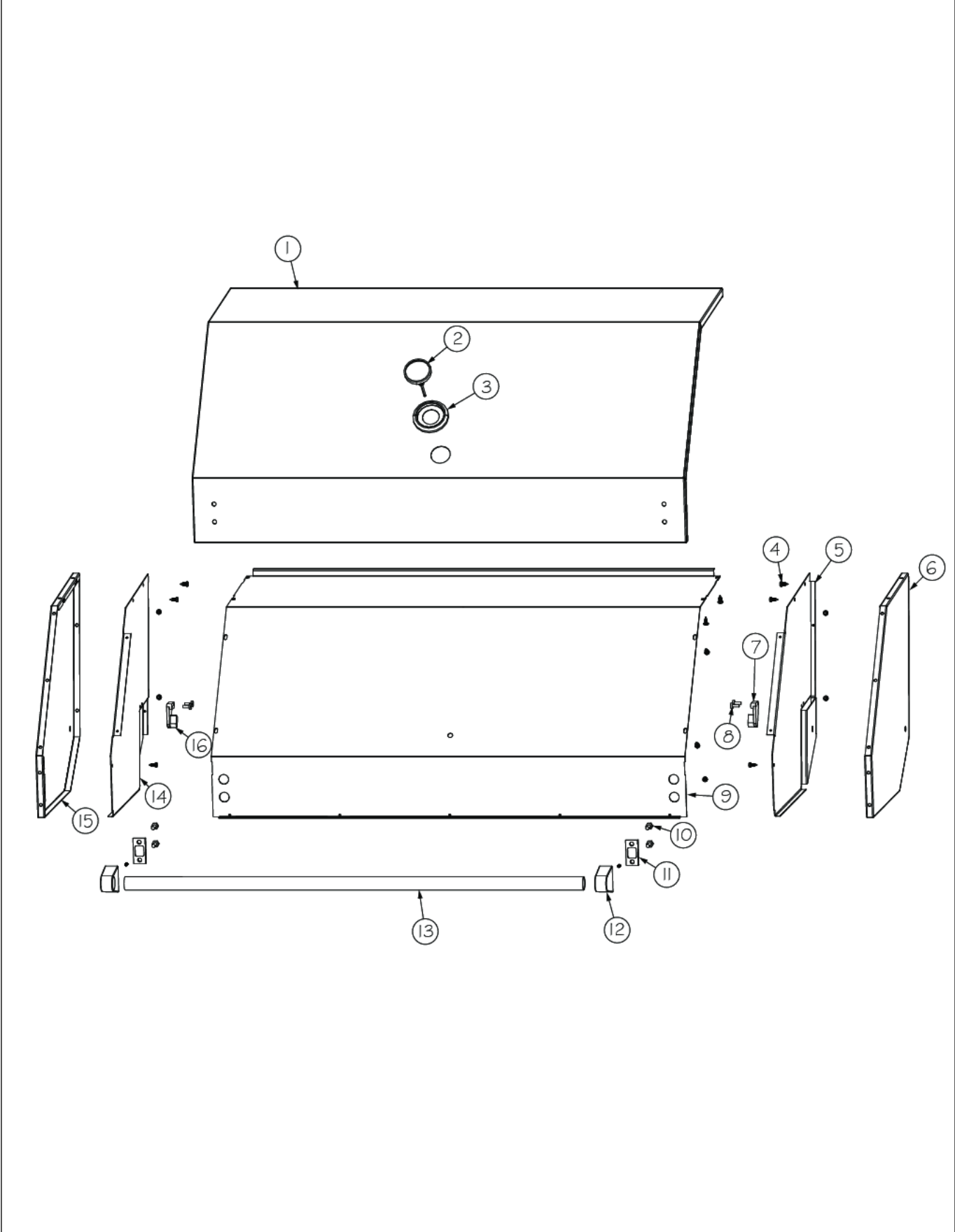




Item	Part No.	Name	Qty	Uom	NOTES
1	B20015413	VGIQ IR COVER	1	EA	
2	PE030187	HANDLE END CAP *CHROME* OUTDOOR CABINET	2	EA	
3	PE030197	VGIQ30 COVER HANDLE	1	EA	
4	PD020056	' #10-24 X 1/2" PH.TR. M.S. *SS*	4	EA	
5	002369-000	REDESIGN BBQ GRATE - FULL	2	EA	
6	002370-000	REDESIGN BBQ GRATE - HALF	2	EA	
7	027596-000	BOX, SMOKER ASM	1	EA	
8	PK010061	1/2 Flavor Grid	6	EA	
9	PD020055	' #10 X 1/2" PAN PHIL. TEK.*SS*	16	EA	
10	B20015515	GRILL FRAME 41"	1	EA	
11	PB020115	SMOKER FLASH TUBE	1	EA	
12	PD020067	' #6 X 3/8" PAN PHIL. TEK *SS*	14	EA	
13	008091-000	PB040288 IGNITOR KIT	3	EA	
14	PD030044	10-24 KEPS NUT *SS*	12	EA	
15	006757-000	SMOKER DRIP SHIELD	2	EA	
16	PD020048	NO.10 X 1/2 TEK 410 SS SCREW	4	EA	
17	B2005248	FRONT BURNER BRACKET (PHASE 2)	1	EA	
18	PA080051	Smoker Burner	2	EA	
19	006010-000	GRILL BURNER REAR BRACKET	1	EA	
20	004276-000	OUTDOOR GRILL U-BURNER	1	EA	
21	008181-000	BRCKT, IGNITOR, MT.	1	EA	
22	006011-000	GRILL BURNER FRONT BRACKET	1	EA	
23	G3208947	Lower I/R Burner Assy	1	EA	
24	007676-000	DRIP SHIELD, U	1	EA	
25	PB020114	FLASH TUBE (VGBQ3002T)	1	EA	
26	008090-000	PB040287 IGNITOR KIT	1	EA	



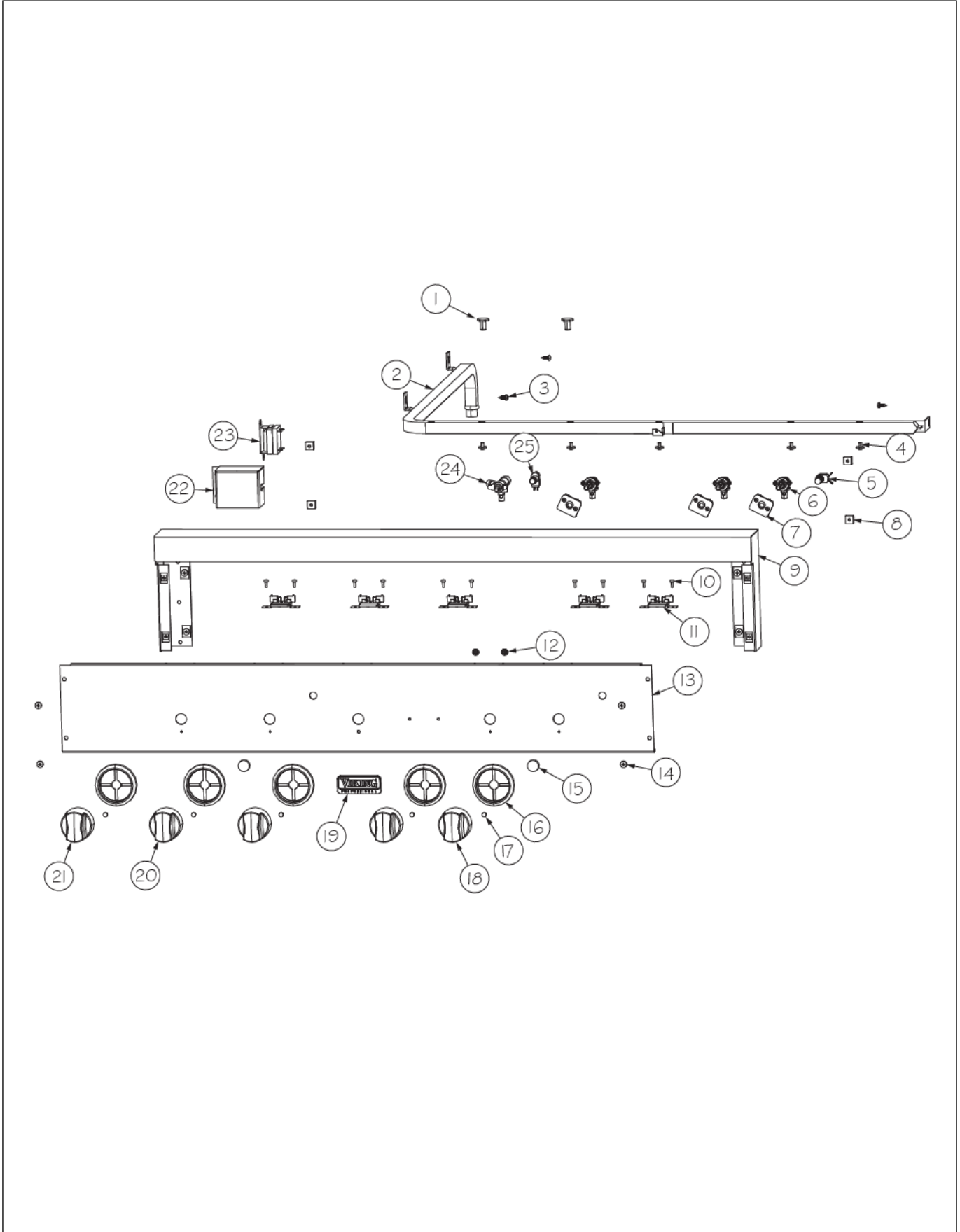
CANOPY ASSEMBLY





Item	Part No.	Name	Qty	Uom	NOTES
1	003636-000	41" OUTER CANOPY	1	EA	Not available online / Call for pricing and availability
2	PB010337	GRILL THERMOMETER	1	EA	
3	003366-000	THERMOSTAT BEZEL	1	EA	
4	PD020055	' #10 X 1/2" PAN PHIL. TEK.*SS*	23	EA	
5	007379-000	GRILL CANOPY INSIDE RH	1	EA	Not available online / Call for pricing and availability
6	003630-000	GRILL CANOPY OUTSIDE RH	1	EA	
7	007215-000	CANOPY SPRING END MOUNT-RH	1	EA	
8	PD020056	' #10-24 X 1/2" PH.TR. M.S. *SS*	4	EA	
9	003637-000	41" CANOPY HEAT SHIELD	1	EA	
10	PD020069	CAP SCREW 1/4-20 X 3/4 SS	4	EA	
11	PD040010	DOOR HANDLE SPACER	2	EA	
12	000268-000	HANDLE ENDCAP	2	EA	
13	PE030040	DOOR/CNPY HNDLE - RPLCS PE930090	2	EA	NO LONGER AVAILABLE
14	003633-000	GRILL CANOPY INSIDE LH	1	EA	
15	003632-000	GRILL CANOPY OUTSIDE LH	1	EA	Not available online / Call for pricing and availability
16	005941-000	CANOPY SPRING END MOUNT-LH	1	EA	

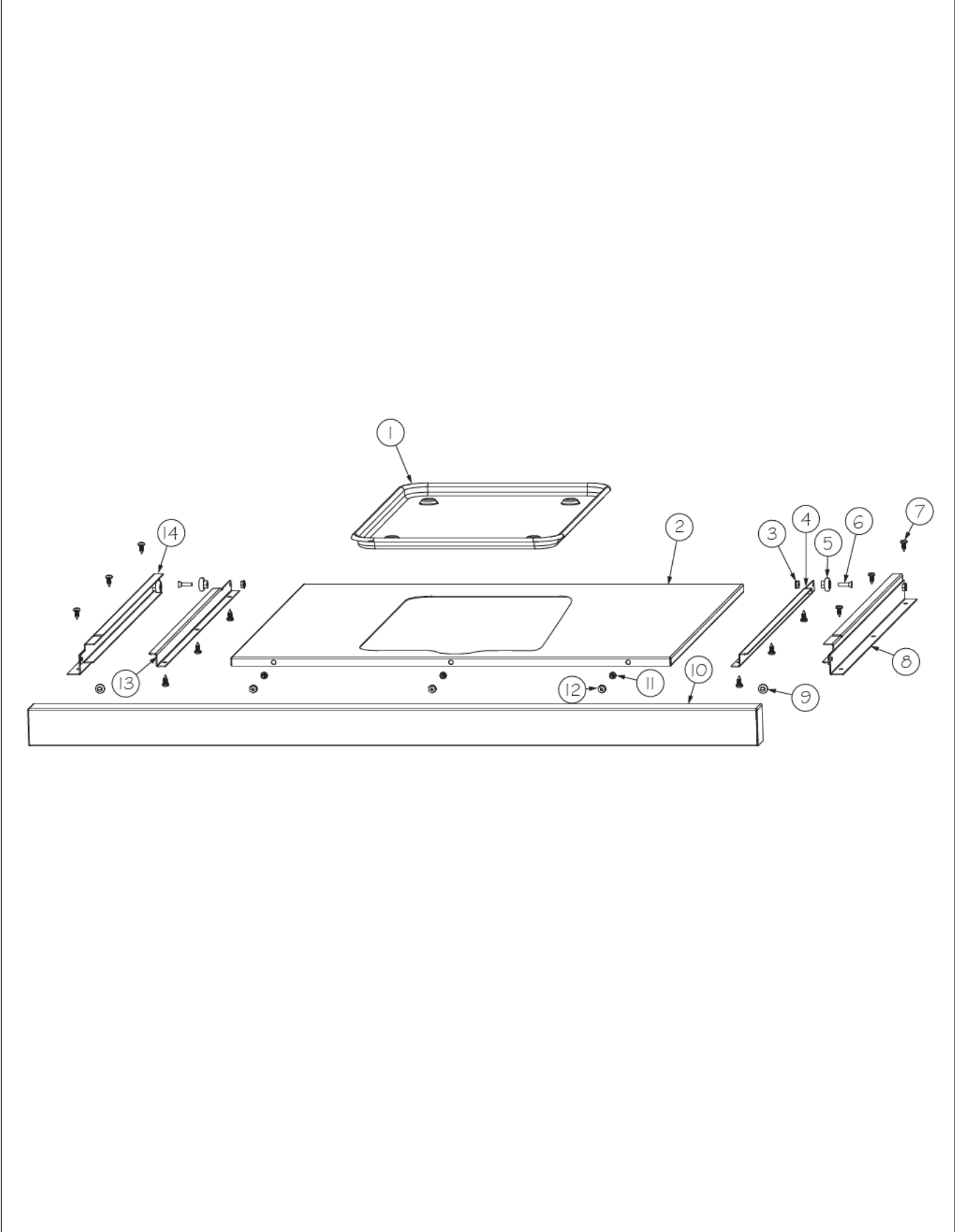
CONTROL AREA





Item	Part No.	Name	Qty	Uom	NOTES
1	002884-000	MANIFOLD PLUG	2	EA	
2	PA050069	PHASE2 41" MANIFOLD	1	EA	
3	PD020055	' #10 X 1/2" PAN PHIL. TEK.*SS*	3	EA	
4	PD010012	1/4 x 3/8 VALVE BOLT	5	EA	
5	PE050019	OVEN LIGHT SWITCH (VGSO166) 90-DEG.	1	EA	
6	006390-000	GAS VALVE - NAT.	3	EA	
7	PA020045	Spark Ignition Switch	3	EA	
8	PD030050	10-24 CAGE NUT *SS*	4	EA	
9	PK010064	LANDING LEDGE (VGBQ41) T SERIES	1	EA	NO LONGER AVAILABLE
10	PD020067	' #6 X 3/8" PAN PHIL. TEK *SS*	10	EA	
11	005999-000	LED BOARD ASSEMBLY	5	EA	
12	PD030006	CAPPED WASHER PAL NUT	2	EA	
13	006065-000	VGIQ4103RE1 CONTROL PANEL	1	EA	
14	PD020056	' #10-24 X 1/2" PH.TR. M.S. *SS*	4	EA	
15	PB010163	OVEN LIGHT SWITCH KNOB *BK* (VESO/D	2	EA	
16	050172-000	BEZEL, KNOB	5	EA	
17	PD020067	' #6 X 3/8" PAN PHIL. TEK *SS*	5	EA	
18	003561-000	OUTDOOR GRILL KNOB	3	EA	
19	PE010142	3" VIKING LOGO BLACK/CHROME	1	EA	
20	003563-000	ROTIS BURNER KNOB	1	EA	
21	003562-000	OUTDOOR IR GRILL KNOB	1	EA	
22	007657-000	PROT. COVER	1	EA	
23	006021-000	SCE, PWR, LED, 12VAC	1	EA	
24	046328-000	NATURAL ROTIS VALVE - KNOB KIT	1	EA	
25	PE050063	SPARKER SWITCH (PHASE 2)	1	EA	

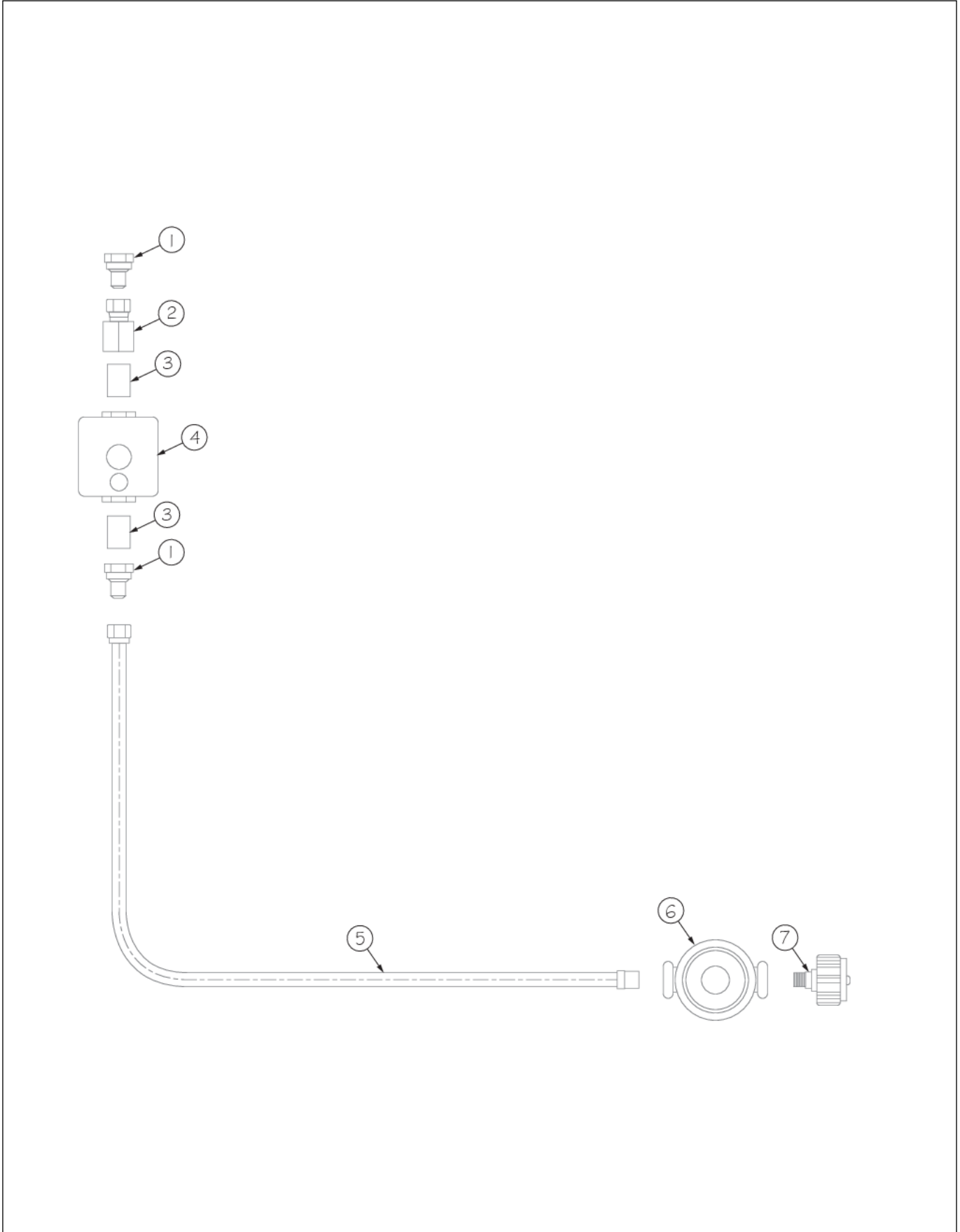
DRIP TRAY





Item	Part No.	Name	Qty	Uom	NOTES
1	J2101749	GREASE PAN	1	EA	
2	B2005310	DRIP TRAY 41 (VGBQ4103RT)	1	EA	
3	PD030044	10-24 KEPS NUT *SS*	2	EA	
4	B2005316	DRIP TRAY RUNNER RH	1	EA	
5	PC020025	DRIP TRAY WHEEL	2	EA	
6	PD020082	10 X 24 COUNTERSUNK S.S. SCREW	2	EA	
7	PD020055	' #10 X 1/2" PAN PHIL. TEK.*SS*	9	EA	
8	G3005214	DRIP TRAY SLIDE - LH	1	EA	
9	PD04004	SNAP THRU BUSHING 1/4"DIA CORD	2	EA	Not available online / Call for pricing and availability
10	B3005314	41" DRIP TRAY HANDLE (PHASE 2)	1	EA	
11	PD020056	' #10-24 X 1/2" PH.TR. M.S. *SS*	3	EA	
12	PD030044	10-24 KEPS NUT *SS*	3	EA	
13	B2005317	DRIP TRAY RUNNER LH (PHASE 2)	1	EA	
14	G3005214	DRIP TRAY SLIDE - LH	1	EA	

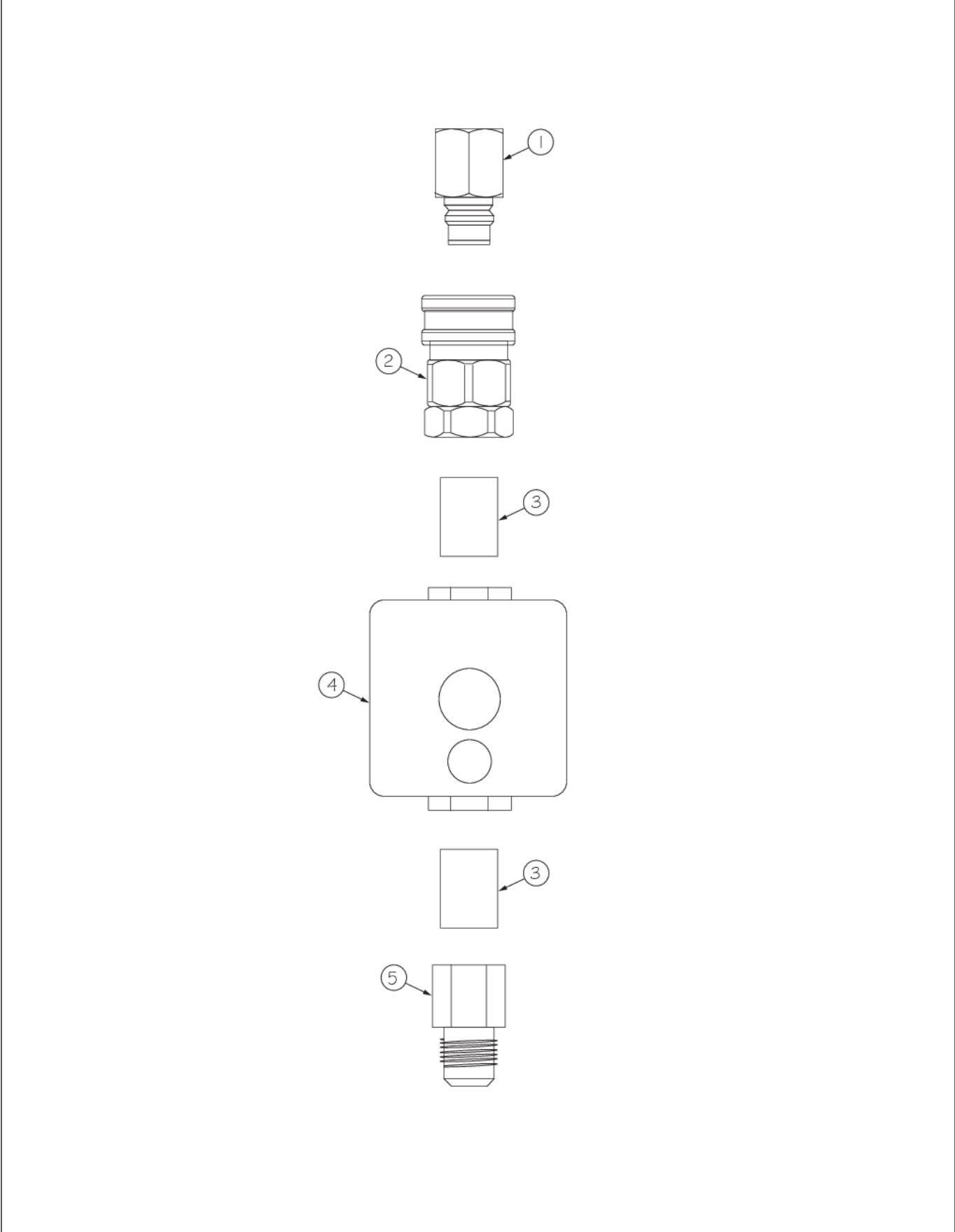
LP GAS REGULATOR ASSEMBLY





Item	Part No.	Name	Qty	Uom	NOTES
1	PB040146	1/2" X 3/8" FLARE ADAPTER (VGBQ)	2	EA	
2	PB040235	1/2"NPT TO 3/8" FLARE COUPLING	1	EA	
3	PB040046	1/2" CLOSE NIPPLE	2	EA	
4	PA070005	PRESSURE REG.(LP) RV47L-77-10.0	1	EA	
5	PB020227	HIGH PRESSURE LP HOSE	1	EA	
6	PA070007	LP TANK REGULATOR (VGBQ)	1	EA	
7	PA010138	CYLINDER CONNECTION	1	EA	

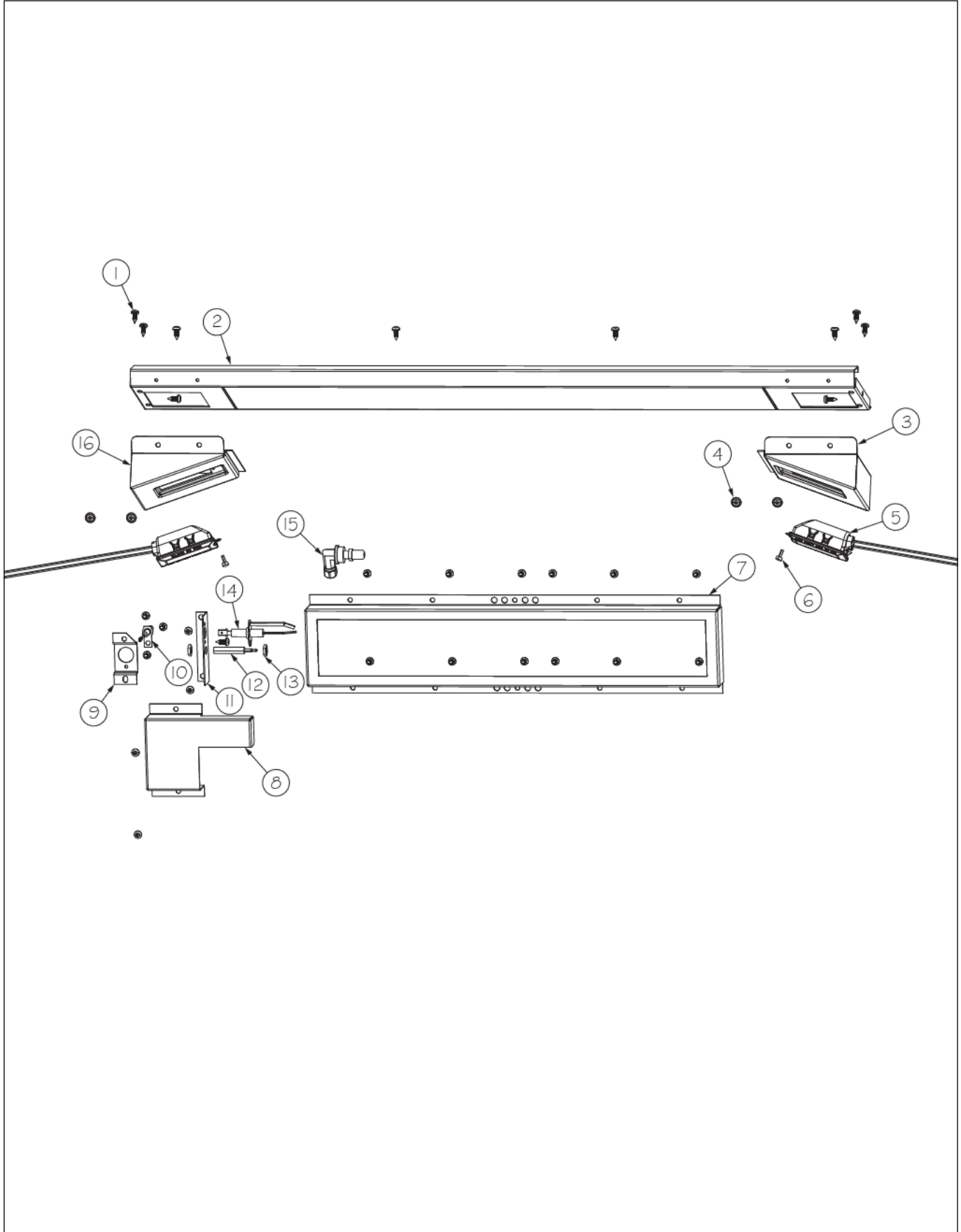
NATURAL GAS REGULATOR ASSEMBLY





Item	Part No.	Name	Qty	Uom	NOTES
1	023653-000	Nipple-Coupler Assy	1	EA	
2	023653-000	Nipple-Coupler Assy	1	EA	
3	PB040046	1/2" CLOSE NIPPLE	2	EA	
4	PA070006	PRESSURE REG.(NAT.)-4"-FOR BBQ GRIL - NLA	1	EA	
5	PB020239	7/8 FLARE TO 1/2 FEMALE CONNECTOR	1	EA	

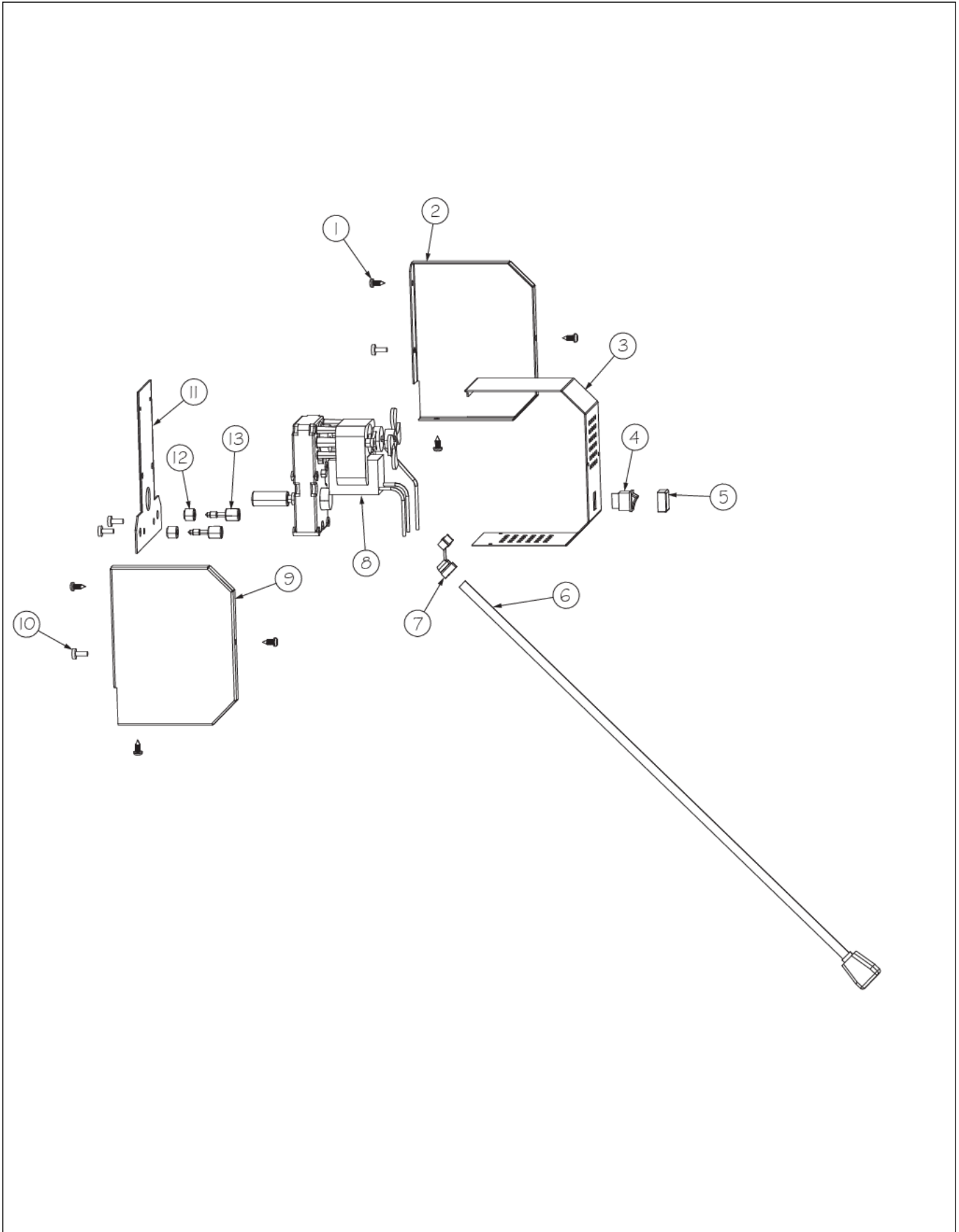
ROTISSERIE BURNER AREA





Item	Part No.	Name	Qty	Uom	NOTES
1	PD020055	' #10 X 1/2" PAN PHIL. TEK.*SS*	30	EA	
2	G91015562	41" E SERIES LIGHT BAR	1	EA	NO LONGER AVAILABLE
3	000603-000	GRILL LIGHT HOUSING RH	1	EA	
4	PD020073	SRW #10 X 24 X 3/8 WAFER HD TYPE23	4	EA	
5	001310-000	120V HALOGEN LIGHT	2	EA	
6	PD020067	' #6 X 3/8" PAN PHIL. TEK *SS*	2	EA	
7	B2005347	I/R Frame	1	EA	
8	B20015402	I/R IGNITOR COVER LH	1	EA	
9	B20015401	FLEX IGNITER STAND OFF	1	EA	Not available online / Call for pricing and availability
10	PB040280	FLEXIBLE ROTISSERIE IGNITOR	1	EA	
11	B20015403	IR IGNITOR BRACKET	1	EA	
12	PB010162	THERMOCOUPLE - BBQ GRILL W/ ROTIS	1	EA	
13	PD030048	THERMOCOUPLE NUT M08- VGBQ-8743300007	2	EA	
14	PB040160	WOK IGNITER	1	EA	
15	PB040124	90 DEG. ORIFICE FITTING	1	EA	
15	PB040125	ORIFICE FTG 90D 20"IR #57 HD YELLOW	1	EA	
16	000602-000	GRILL LIGHT HOUSING LH	1	EA	
NI	G3005289	I/R Burner Assy	1	EA	
NI	PB050060	I/R VENTURI (PHASE 2 BBQ)	1	EA	
NI	PB020096	48" 5/16 S.S. FLEX TUBING REPL F2003505	1	EA	

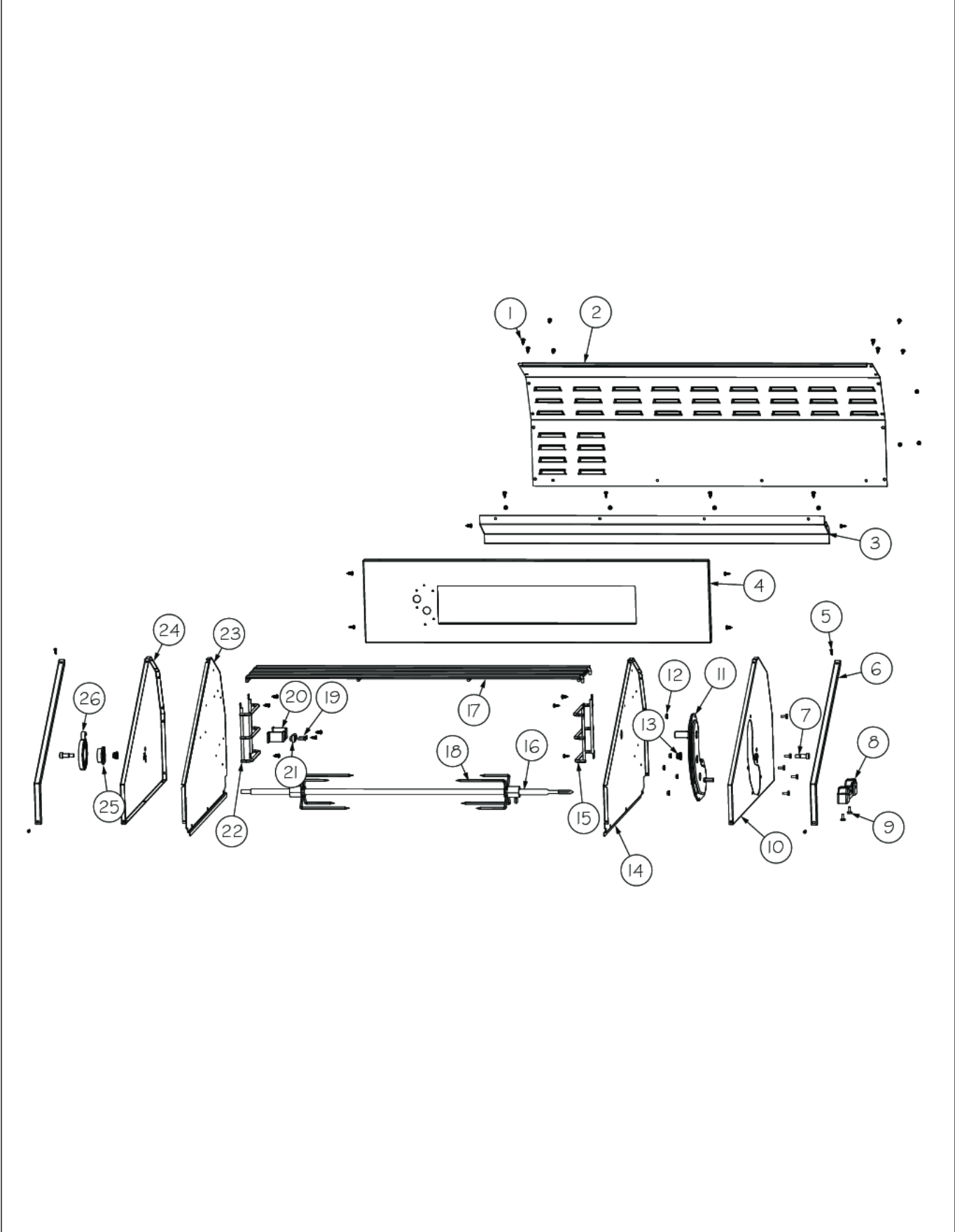
ROTISSERIE MOTOR ASSEMBLY



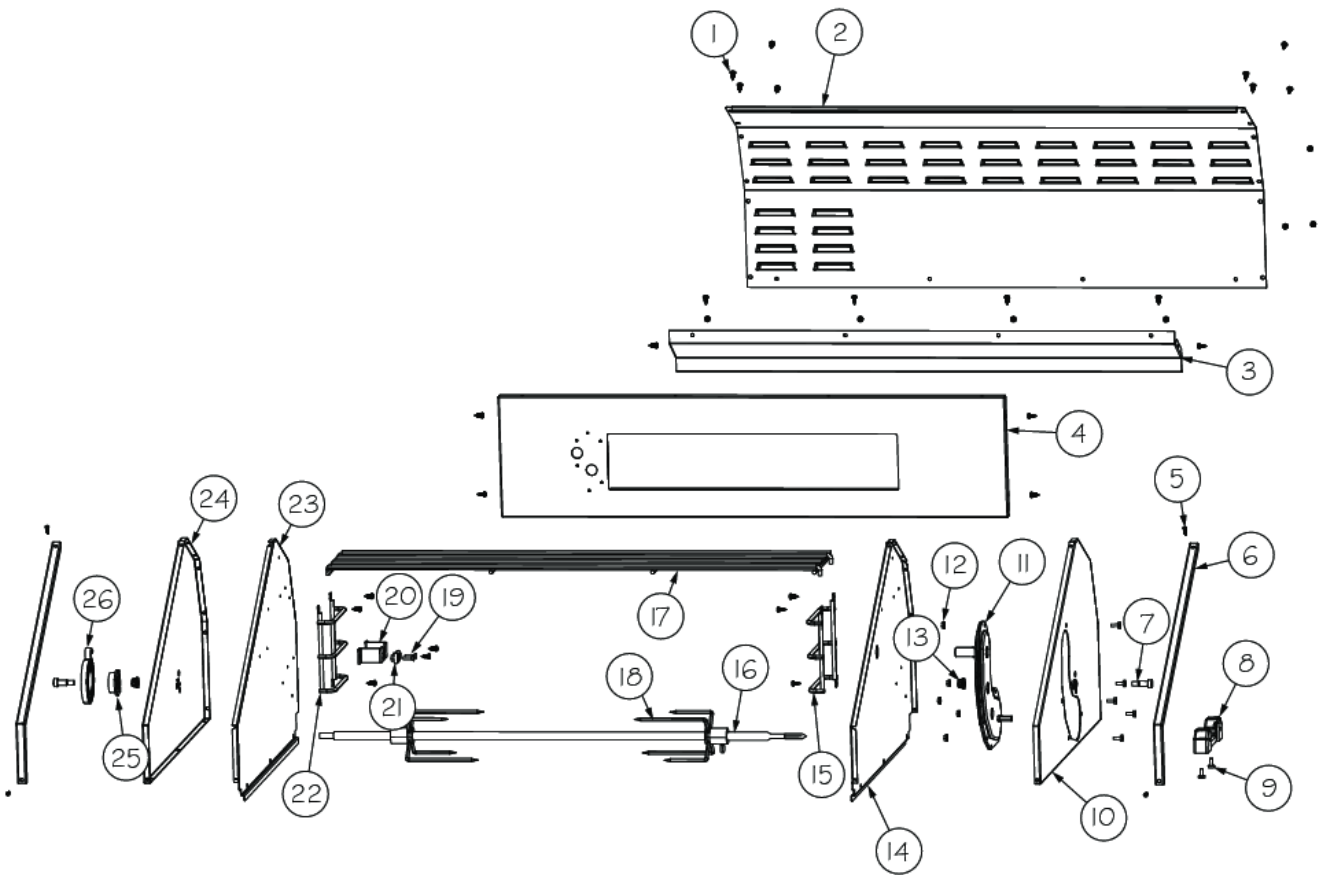


Item	Part No.	Name	Qty	Uom	NOTES
1	PD020055	' #10 X 1/2" PAN PHIL. TEK.*SS*	6	EA	
2	B2005285	PHASE II ROTIS BOX FRONT	1	EA	
3	B2005286	PHASE II ROTIS COVER	1	EA	
4	PE050051	ROTIS SWITCH	1	EA	
5	PE050046	ROTIS SWITCH BOOT	1	EA	NO LONGER AVAILABLE
Not Shown	NOTE	(MUST ORDER ITEM 4)		EA	
6	PE070189	ELECTRICAL SUPPLY CORD - BBQ GRILL	1	EA	
7	PD040044	SNAP THRU BUSHING 1/4"DIA CORD	1	EA	
8	PE070184	ROTISSERIE MOTOR	1	EA	
9	B2005284	PHASE II ROTIS BOX FRONT	1	EA	
10	PD020056	' #10-24 X 1/2" PH.TR. M.S. *SS*	4	EA	
11	B1005283	ROTIS. MOUNTING PLATE (PHASE 2)	1	EA	
12	PD030064	CAPTURE NUT 1/4" #20	2	EA	
13	PD010090	ROTIS FASTENER KNOB	2	EA	
NI	G3205282	ROTIS MOTOR ASSEMBLY (PHASE 2)	1	EA	
Not Shown	NOTE	(INCLUDES ITEMS 1 THRU 13)		EA	

UPPER GRILL AREA



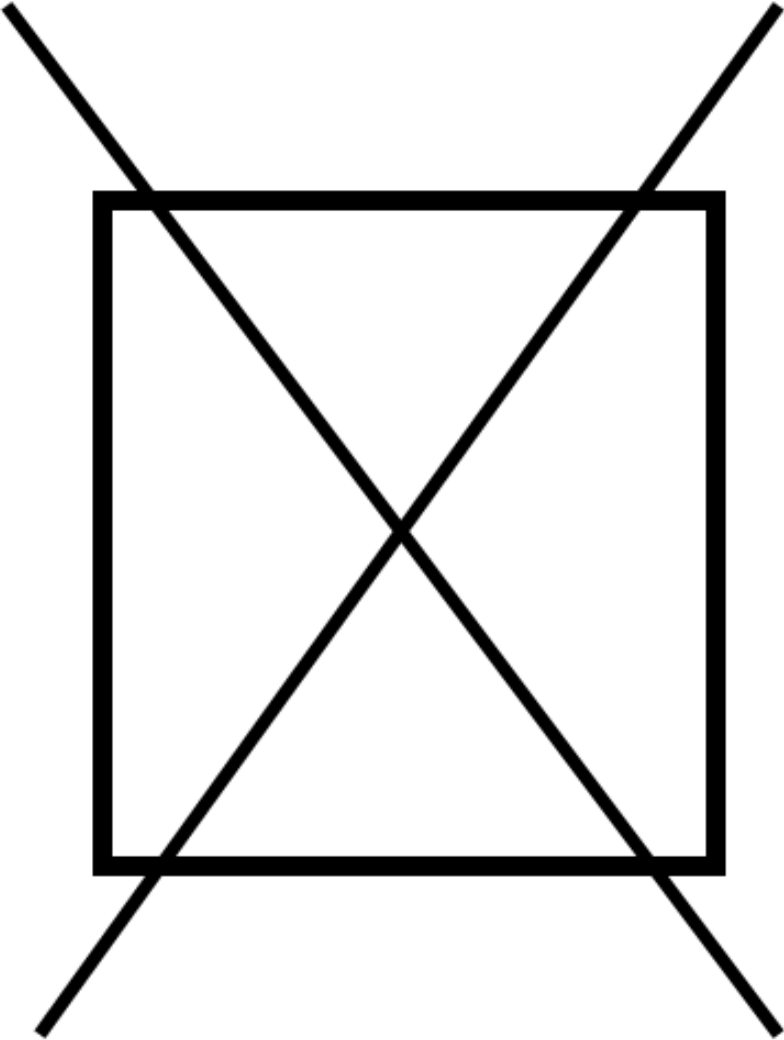
Item	Part No.	Name	Qty	Uom	NOTES
1	PD020055	' #10 X 1/2" PAN PHIL. TEK.*SS*	36	EA	
2	003653-000	41" GRILL REAR COVER	1	EA	Not available online / Call for pricing and availability
3	E91014431	FRONT HOUSING BOTTOM 41"	1	EA	
4	G91015545	41" FRONT HOUSING WELD ASSY	1	EA	
5	000394-000	#8 SS TECH SCREW - COUNTERSINK - NLA	4	EA	NO LONGER AVAILABLE
6	B20015574	GRILL WINDSHIELD TRIM	2	EA	
7	PD010043	5/16INCH SHOULDER BOLT (PHASE 2)	2	EA	
8	PB060055	Rotis. Mount Casting	1	EA	
9	PD020056	' #10-24 X 1/2" PH.TR. M.S. *SS*	7	EA	
10	B20015575	OUTSIDE WINDSHIELD - RH	1	EA	
11	PC070024	ROTIS. GEAR BOX ASSY	1	EA	
12	PD030044	10-24 KEPS NUT *SS*	5	EA	
13	G5005257	O/S Windshield Assy - LH	2	EA	
14	B20015418	INSIDE WINDSHIELD RH	1	EA	Not available online / Call for pricing and availability
15	PB060112	WARMING RACK SUPPORT RH	1	EA	
16	PB060053	Spit Rod	1	EA	
17	PB060056	Warming Rack	1	EA	
18	032881-000	FORK, RTSR	2	EA	
19	PD020082	10 X 24 COUNTERSUNK S.S. SCREW	2	EA	
20	PC020025	DRIP TRAY WHEEL	1	EA	
21	B2005278	ROTISSERIE ROLLER BRACKET (PHASE 2)	1	EA	
22	PB060113	WARMING RACK SUPPORT LH	1	EA	
23	B20015419	INSIDE WINDSHIELD LH	1	EA	Not available online / Call for pricing and availability
24	B20015576	OUTSIDE WINDSHIELD-LH	1	EA	
25	005942-000	SPRING INDEX	1	EA	





Item	Part No.	Name	Qty	Uom	NOTES
26	003746-000	FLAT TORSION SPRING FOR OUTDOOR GRILL CANOPY	1	EA	

NON ILLUSTRATED PART





Item	Part No.	Name	Qty	Uom	NOTES
NI	PE070815	WIRE HARNESS (VGBQ4103RE)	1	EA	
NI	G4006379	WIRE ASSY (VGBQ-T SERIES) 25"	1	EA	
NI	G40016229	IGNITOR WIRE 34"	1	EA	
NI	G40016230	IGNITOR WIRE 40"	1	EA	
NI	G40016227	IGNITOR WIRE 18"	1	EA	
NI	G40016239	ROTISSERIE WIRE ASSY	1	EA	
Not Shown	NOTE	(BEFORE 12/08/10)		EA	
NI	025323-000	HARNESS, WIRE, ROTISSERIE	1	EA	
Not Shown	NOTE	(ON OR AFTER 12/08/10)		EA	
NI	006021-000	SCE, PWR, LED, 12VAC	1	EA	
NI	005999-000	LED BOARD ASSEMBLY	5	EA	
NI	006017-000	LED WIRE 4.875	2	EA	
NI	006018-000	LED WIRE 8.75 - NLA	2	EA	
NI	006019-000	LED WIRE 10.75 - NLA	1	EA	
NI	006384-000	30" & 41" WIRE ASSEMBLY	1	EA	



Appendix A:Pages Index

BURNER BOX AREA 1
BURNER GRATE AREA 2
CANOPY ASSEMBLY 3
CONTROL AREA 4
DRIP TRAY 5
LP GAS REGULATOR ASSEMBLY 6
NATURAL GAS REGULATOR ASSEMBLY 7
ROTISSERIE BURNER AREA 8
ROTISSERIE MOTOR ASSEMBLY 9
UPPER GRILL AREA 10
WIRING 11



Appendix B:Parts Index

000268-000	3	007379-000	3
000394-000	10	007657-000	4
000602-000	8	007676-000	2
000603-000	8	008090-000	2
001310-000	8	008091-000	2
002353-000	1	008181-000	2
002355-000	1	008635-000	1
002369-000	2	019962-000	1
002370-000	2	023653-000	7, 7
002671-000	1	025323-000	11
002884-000	4	027596-000	2
003366-000	3	032881-000	10
003561-000	4	046328-000	4
003562-000	4	050172-000	4
003563-000	4	A20015411	1
003630-000	3	A20015412	1
003632-000	3	B1005283	9
003633-000	3	B20011414	1
003636-000	3	B20015401	8
003637-000	3	B20015402	8
003653-000	10	B20015403	8
003746-000	10	B20015413	2
003857-000	1	B20015418	10
004089-000	1	B20015419	10
004276-000	2	B20015509	1
005941-000	3	B20015512	1
005942-000	10	B20015515	2
005999-000	4, 11	B20015574	10
006010-000	2	B20015575	10
006011-000	2	B20015576	10
006017-000	11	B2005203	1
006018-000	11	B2005204	1
006019-000	11	B2005244	1
006021-000	4, 11	B2005246	1
006065-000	4	B2005248	2
006384-000	11	B2005278	10
006390-000	4	B2005284	9
006757-000	2	B2005285	9
006770-000	1	B2005286	9
007215-000	3	B2005310	5
		B2005316	5



B2005317	5	PB040160	8
B2005347	8	PB040235	6
B2006305	1	PB040280	8
B30015553	1	PB050060	8
B3005314	5	PB060053	10
E91014431	10	PB060055	10
G3005214	5, 5	PB060056	10
G3005289	8	PB060112	10
G3205282	9	PB060113	10
G3208947	2	PC020025	5, 10
G40016227	11	PC070024	10
G40016229	11	PD010012	4
G40016230	11	PD010043	10
G40016239	11	PD010090	9
G4006379	11	PD020014	1
G5005257	10	PD020048	2
G91015545	10	PD020055	1, 2, 3, 4, 5, 8, 9, 10
G91015562	8	PD020056	2, 3, 4, 5, 9, 10
J2101749	5	PD020067	2, 4, 4, 8
L1004881	1	PD020069	3
L1005398	1	PD020073	8
PA010138	6	PD020082	5, 10
PA020045	4	PD030006	4
PA020048	1	PD030044	2, 5, 5, 10
PA050069	4	PD030048	8
PA070005	6	PD030050	4
PA070006	7	PD030064	9
PA070007	6	PD040010	3
PA080051	2	PD04004	5
PB010162	8	PD040044	1, 9
PB010163	4	PE010142	4
PB010337	3	PE030040	3
PB020096	8	PE030187	2
PB020114	2	PE030197	2
PB020115	2	PE050019	4
PB020227	6	PE050046	9
PB020239	7	PE050051	9
PB040046	6, 7	PE050063	4
PB040124	8	PE070147	1
PB040125	8	PE070184	9
PB040146	6	PE070189	9



PE070791	1
PE070815	11
PK010061	2
PK010064	4