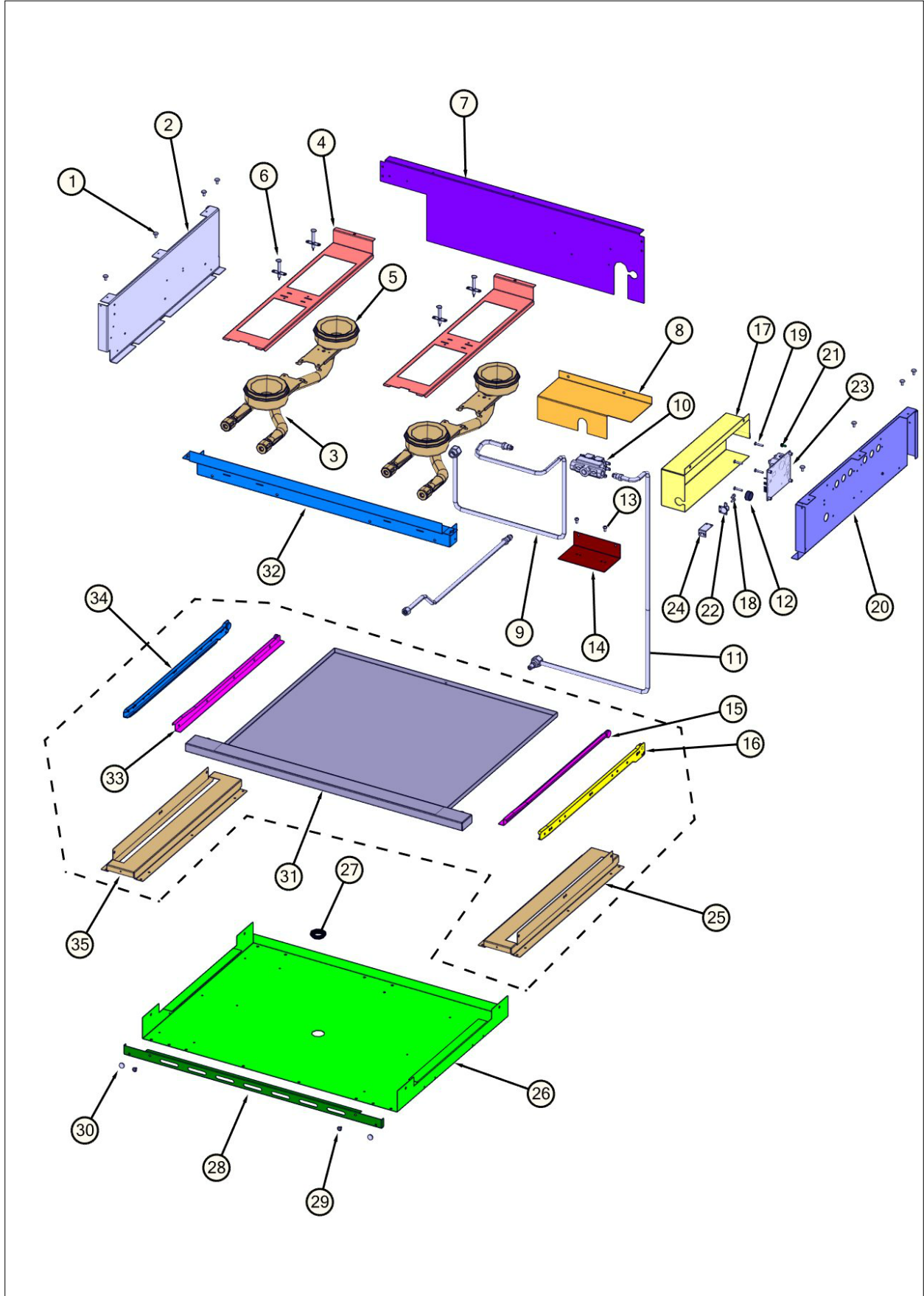


# **VGIC530-4B**

BURNER BOX AREA .....	1
CONTROL AREA .....	2
DOOR ASSEMBLY .....	3
LOWER UNIT AND SIDE PANELS .....	4
OVEN CAVITY .....	5
REAR SHEET METAL .....	6
SURFACE COOKING AREA .....	7
WIRING .....	8
Appendix A:Pages Index .....	A
Appendix B:Parts Index .....	B

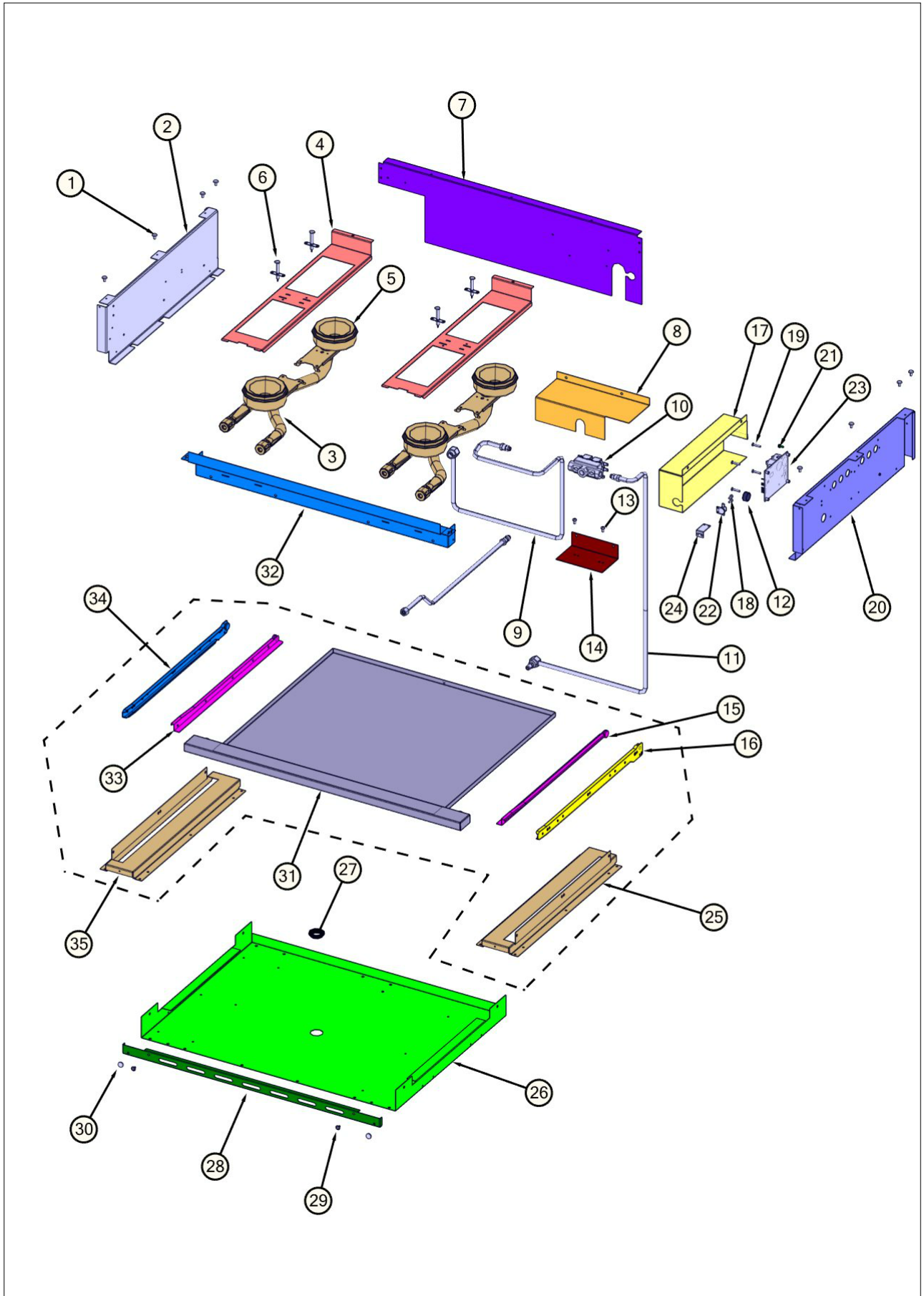


BURNER BOX AREA

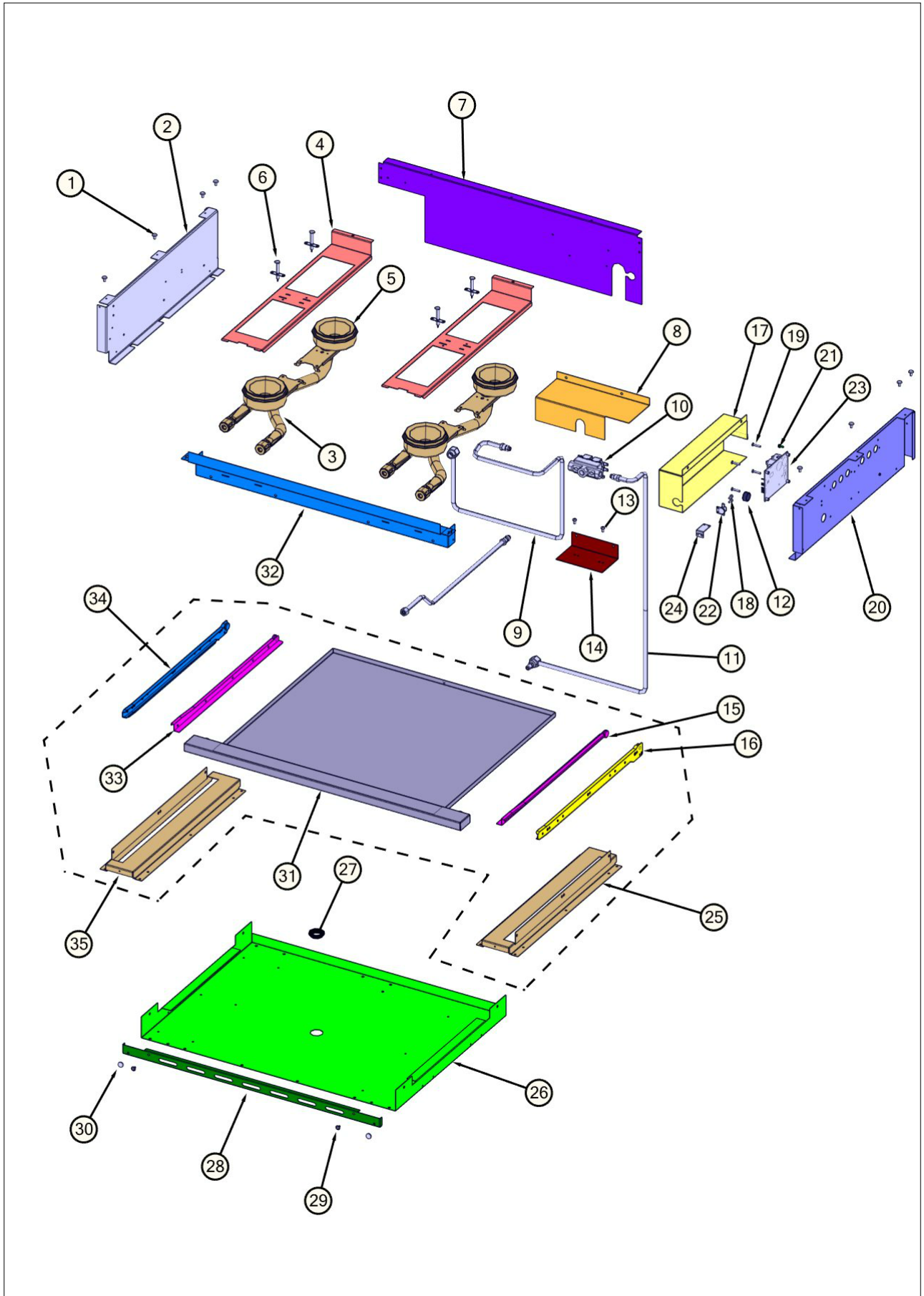




Item	Part No.	Name	Qty	Uom	NOTES
1	PD020033	SRW-#10-24X1/2"T(23)PH.WFR HD (NKL)	4	EA	
2	003481-000	BURNER BOX SIDE, LH	1	EA	
3	015486-000	BURNER, FRONT, ASM	2	EA	
4	015485-000	SUPPORT, BURNER, VGIC	2	EA	
5	015493-000	BURNER, REAR, ASM	2	EA	
6	PA020028	SPARK IGNITER	4	EA	
7	016976-000	SUPPORT, REAR VGIC530	1	EA	
8	016980-000	COVER, VALVE 36ö	1	EA	
9	015535-000	TUBING, BROIL ASM	1	EA	
10	009112-000	VALVE, SOL, DOUBLE	1	EA	
11	015533-000	TUBING, BAKE, RH ASM	1	EA	
12	PD040005	SNAP BUSHING - 7/8"	2	EA	
13	PD020004	10X3/8PH.HD.TYPE 25 REPL PD040125	1	EA	
14	015515-000	BRACKET, VALVE	1	EA	
15	PK000010	RUNNER, DRIP TRAY - RH (VGRT)	1	EA	
Not Shown	NOTE	(IF REPLACED, MUST REPLACE #15,#16, #25, #31, #33, #34, #35 WITH 061181-000, 061191-000, AND 061179-000)	1	EA	
16	PK000008	Drip Tray Guide - RH	1	EA	NO LONGER AVAILABLE
Not Shown	NOTE	(IF REPLACED, MUST REPLACE #15,#16, #25, #31, #33, #34, #35 WITH 061181-000, 061191-000, AND 061179-000)		EA	
17	016780-000	COVER, DSI	1	EA	
18	PD020067	' #6 X 3/8" PAN PHIL. TEK *SS*	2	EA	
19	PD020043	#6-32 X .750 PH. CTRSK T(F)-VGSO166	4	EA	
20	016658-000	BURNER BOX SIDE, RH	1	EA	
21	PD020010	10 X 3/8 GREEN GROUNDING SCREW	1	EA	
22	PJ030039	BI-METAL THERMOSTAT 275 DEGREES	1	EA	
23	PA020056	NLA - See TC-0063D-SP for kit number (see comments)	1	EA	



Item	Part No.	Name	Qty	Uom	NOTES
Not Shown	NOTE	(BEFORE 12/29/10)		EA	
23	023651-000	DSI120-2-LVS	1	EA	
Not Shown	NOTE	(ON OR AFTER 12/29/10)		EA	
24	A20014089	DISC BRACKET	1	EA	
25	015500-000	BRACKET, SLIDE RH	2	EA	
Not Shown	NOTE	(IF REPLACED, MUST REPLACE #15,#16, #25, #31, #33, #34, #35 WITH 061181-000, 061191-000, AND 061179-000)		EA	
NI	015501-000	BRACKET, SLIDE ASM RH	1	EA	Not available online / Call for pricing and availability
Not Shown	NOTE	(INCLUDES ITEMS 25 AND 16)		EA	
26	016973-000	TOP, CABINET VGIC530	1	EA	
27	PB070079	SILICONE EXTRUSION (DGSU)	1	EA	
28	016977-000	TRIM, FR, TOP 30" DCBZ	1	EA	
29	PD020063	SCREW-#8(A) X 3/8"PH WFR HD/BK OXID	2	EA	
30	PD040004	GROMMET BUMPER	4	EA	
31	043663-000	TRAY, DRIP, ASSEMBLY, 30"	1	EA	
Not Shown	NOTE	(IF REPLACED, MUST REPLACE #15,#16, #25, #31, #33, #34, #35 WITH 061181-000, 061191-000, AND 061179-000)		EA	
32	016975-000	SUPPORT, FRONT VGIC530	1	EA	
33	PK000009	Drip Tray Guide - LH	1	EA	
Not Shown	NOTE	(IF REPLACED, MUST REPLACE #15,#16, #25, #31, #33, #34, #35 WITH 061181-000, 061191-000, AND 061179-000)		EA	
34	PK000007	DRIP TRAY GUIDE - LH (VGRT)	1	EA	NO LONGER AVAILABLE
Not Shown	NOTE	(IF REPLACED, MUST REPLACE #15,#16, #25, #31, #33, #34, #35 WITH 061181-000, 061191-000, AND 061179-000)		EA	
35	015504-000	BRACKET, SLIDE LH	1	EA	

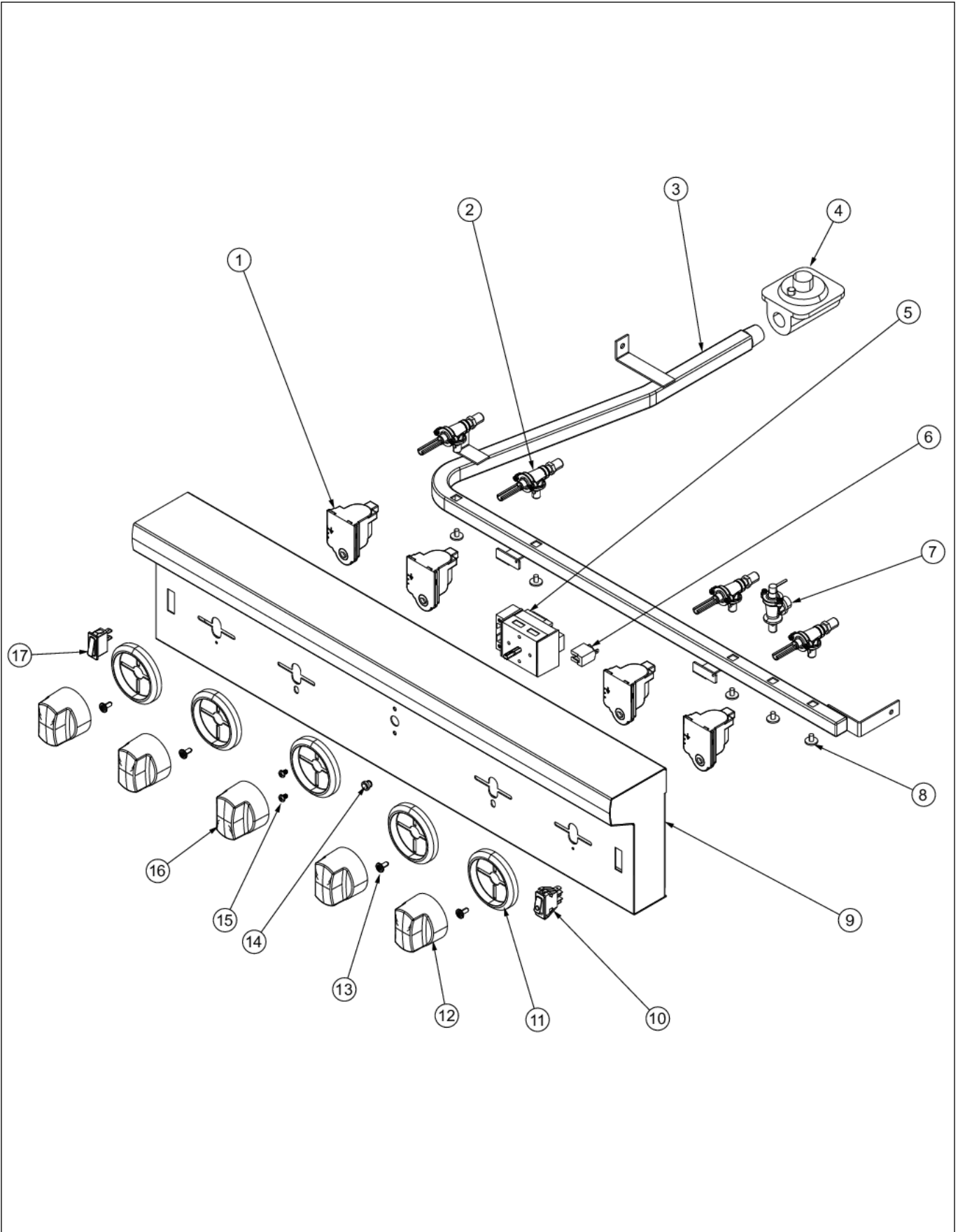




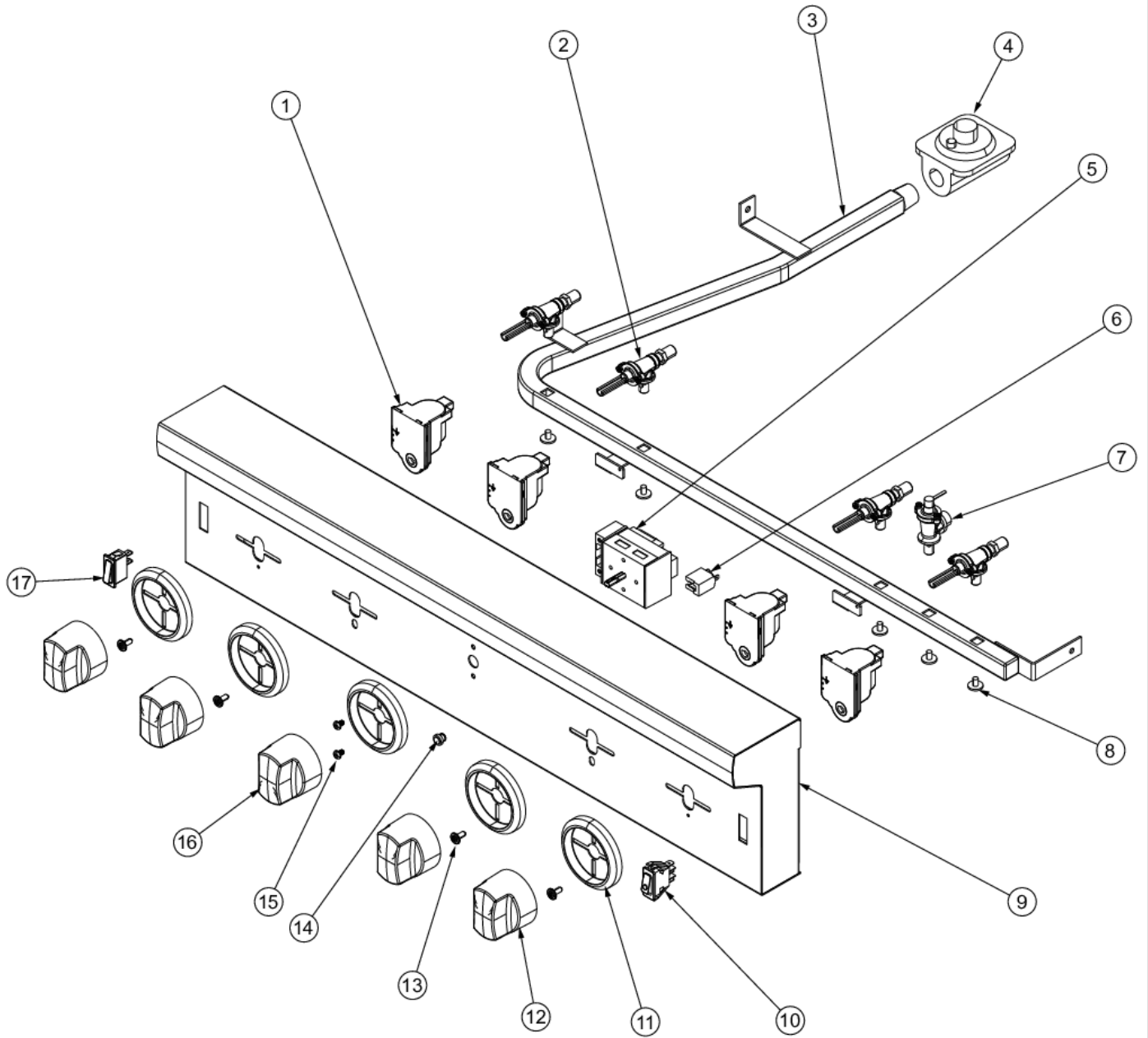


Item	Part No.	Name	Qty	Uom	NOTES
Not Shown	NOTE	(IF REPLACED, MUST REPLACE #15,#16, #25, #31, #33, #34, #35 WITH 061181-000, 061191-000, AND 061179-000)		EA	
NI	015505-000	BRACKET, SLIDE ASM LH	1	EA	
Not Shown	NOTE	(INCLUDES ITEMS 34 AND 35)		EA	
NI	G4002752	DRIP TRAY GROUND WIRE (VDSC)	1	EA	

CONTROL AREA



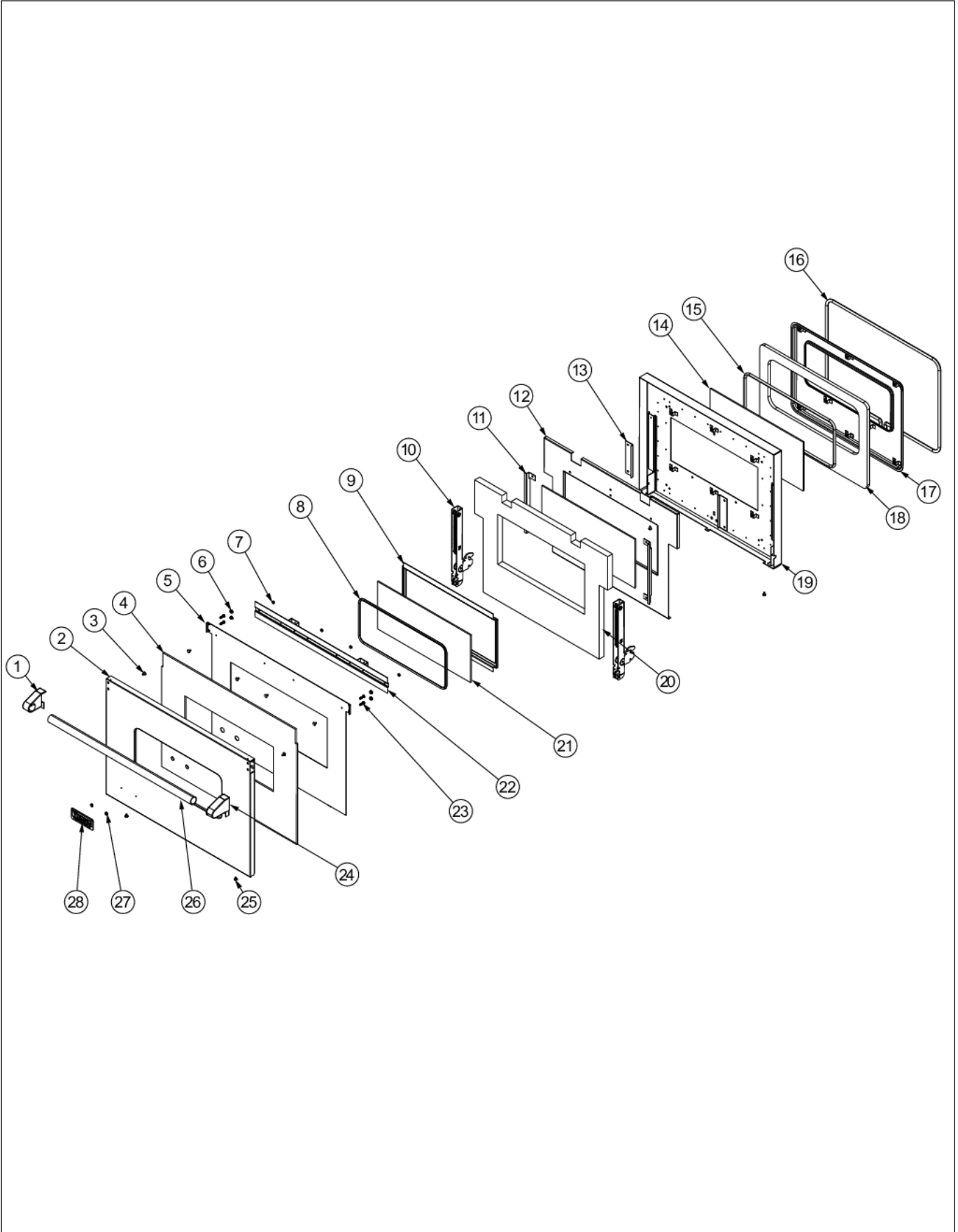
Item	Part No.	Name	Qty	Uom	NOTES
1	PA020058	IRIS SINGLE SPARK MODULE	4	EA	
2	023405-000	TOP BURNER VALVE	4	EA	
3	016978-000	MANIFOLD, 30"	1	EA	
4	PA070003	PRESSURE REGULATOR	1	EA	
4	013386-000	LP PRESSURE REGULATOR	1	EA	
5	013213-000	TSTAT, SMPS, ELEC, 2-POS, .91" SHAFT, CB	1	EA	
6	PE050024	OVEN IND. LIGHT (LIGHT HOUSING)	1	EA	
<p>Comments for Part Num. PE050024</p> <p>haarnink@vikingrange.com on Jan 14, 2019</p> <p>please note that the indicator light is now part 043135-000 but needs the Jumper harness 051443-000. and second option there are units in the field with a 230V indicator light part number 036566-000.</p> <p>please check this for all "E" module ranges/Tops</p>					
7	007147-000	SHUTOFF VALVE ASSY	1	EA	
8	PD010012	1/4 x 3/8 VALVE BOLT	5	EA	
9	031251-2255	CONTROL PANEL ASM, VGIC530-4B W/GRAPHICS	1	EA	
10	006355-000	SPLASHPROOF ROCKER SWITCH	1	EA	
11	050172-000	BEZEL, KNOB	5	EA	
11	PB010304PVD	RESTYLE KNOB BEZEL, BR	5	EA	
12	005269-000	RANGE TOP BURNER KNOB-BRUSHED, SSS	4	EA	
Not Shown	NOTE	BEFORE 12/20/12		EA	
12	035881-000	KNOB, BNR, TOP PRO CR3	4	EA	
Not Shown	NOTE	AFTER 12/20/12		EA	
13	PD020046	' #8 X 1/2 SCREWS	4	EA	
14	PE050023	OVEN IND. LIGHT (LENS & BEZEL)	1	EA	
15	PD020269	#8 PAN HEAD SCREW	2	EA	
16	008416-000	KNOB, THERMOSTAT, #3 SSS, ASM, VGCC	1	EA	
Not Shown	NOTE	BEFORE 12/20/12		EA	





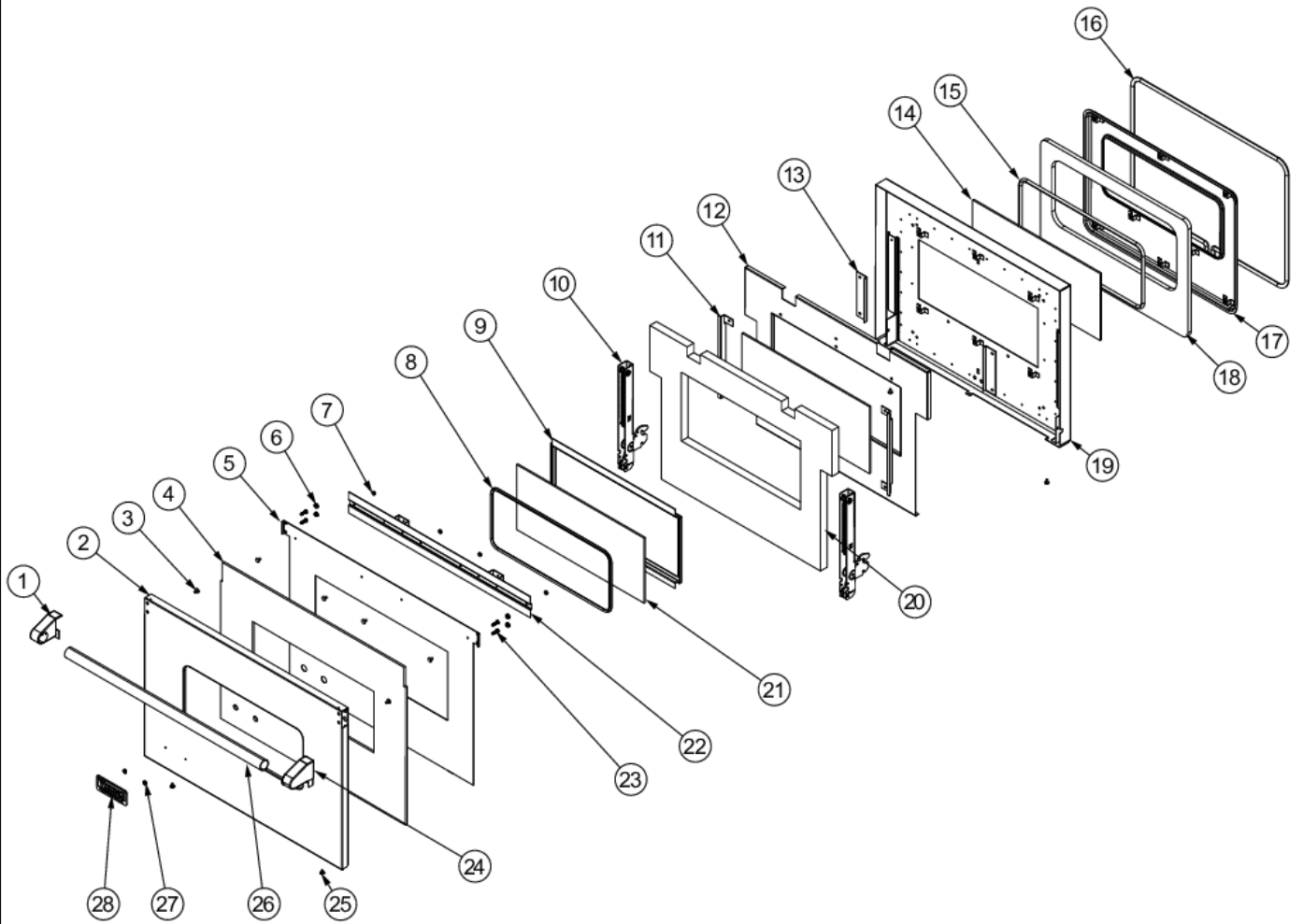
Item	Part No.	Name	Qty	Uom	NOTES
16	035891-000	KNOB,OVN,TSTAT, PRO VGCC CR3	1	EA	
Not Shown	NOTE	AFTER 12/20/12		EA	
17	003719-000	OVEN LIGHT SWITCH, BLACK	1	EA	

DOOR ASSEMBLY





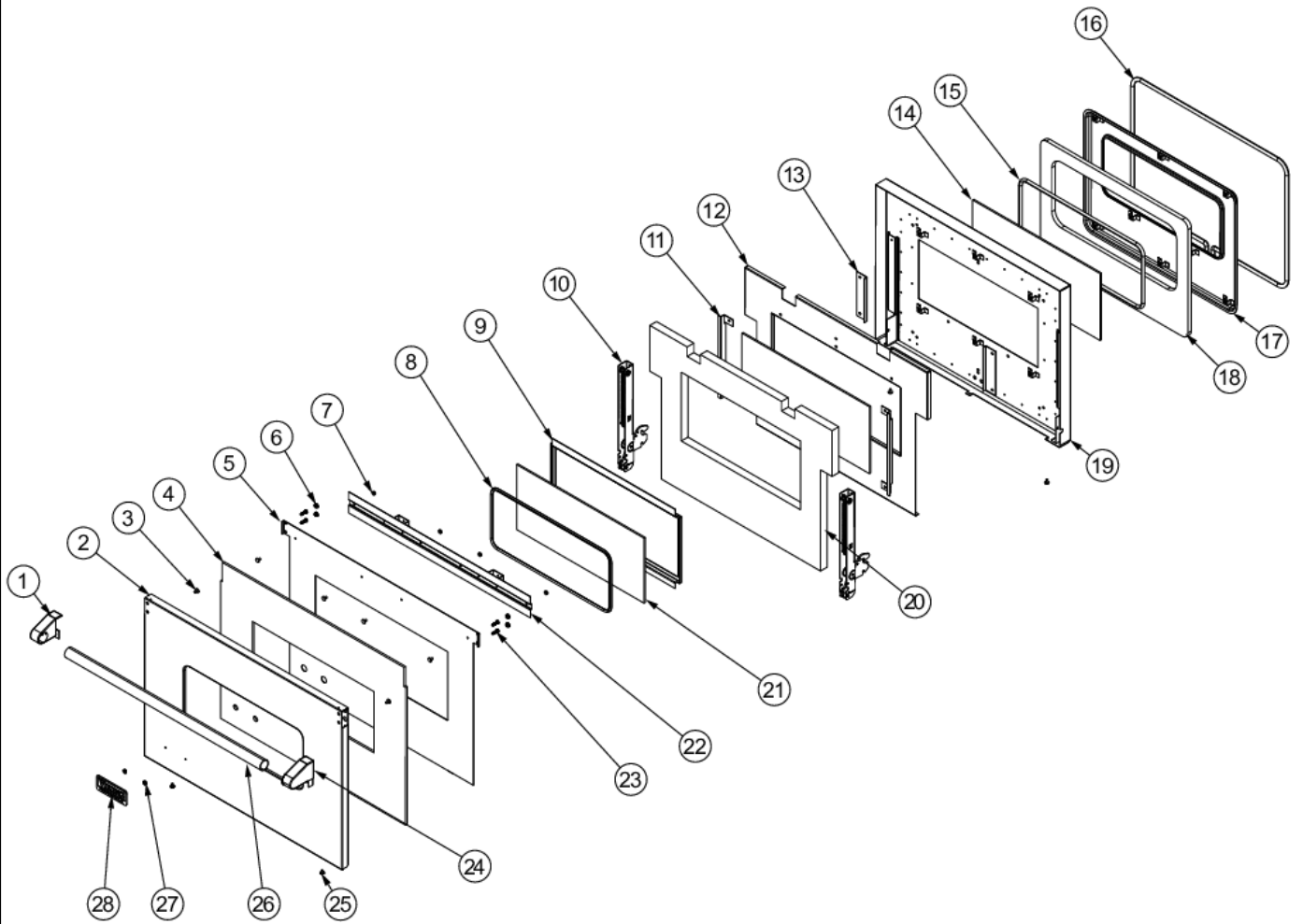
Item	Part No.	Name	Qty	Uom	NOTES
1	003011-000	DOOR HANDLE ENDCAP ASSY, LH (CHROME)	1	EA	
1	003011-100	DOOR HANDLE ENDCAP ASSY, LH (BRASS)	1	EA	
2	023453-000	SVC DOOR SKIN KIT, VGSC, IC, CC 30"SS	1	EA	
2	023454-002	SVC DOOR SKIN KIT, VGSC, IC, CC 30" BK	1	EA	
2	023454-003	SVC DOOR SKIN KIT, VGSC, IC, CC 30" BT	1	EA	
2	023454-004	SVC DOOR SKIN KIT, VGSC, IC, CC 30" SG	1	EA	Not available online / Call for pricing and availability
2	023454-005	SVC DOOR SKIN KIT, VGSC, IC, CC 30" GG	1	EA	
2	023454-006	SVC DOOR SKIN KIT, VGSC, IC, CC 30" WH	1	EA	
2	023454-008	SVC DOOR SKIN KIT, VGSC, IC, CC 30" BU	1	EA	Not available online / Call for pricing and availability
2	023454-009	SVC DOOR SKIN KIT, VGSC, IC, CC 30" LE	1	EA	
2	023454-010	SVC DOOR SKIN KIT, VGSC, IC, CC 30" MJ	1	EA	Not available online / Call for pricing and availability
2	023454-012	SVC DOOR SKIN KIT, VGSC, IC, CC 30" VB	1	EA	
2	023454-013	SVC DOOR SKIN KIT, VGSC, IC, CC 30" CB	1	EA	
2	023454-015	SVC DOOR SKIN KIT, VGSC, IC, CC 30" PL	1	EA	Not available online / Call for pricing and availability
2	023454-016	SVC DOOR SKIN KIT, VGSC, IC, CC 30" CH	1	EA	Not available online / Call for pricing and availability
2	023454-017	SVC DOOR SKIN KIT, VGSC, IC, CC 30" TP	1	EA	
2	023454-018	SVC DOOR SKIN KIT, VGSC, IC, CC 30" CW	1	EA	Not available online / Call for pricing and availability







Item	Part No.	Name	Qty	Uom	NOTES
2	023454-019	SVC DOOR SKIN KIT, VGSC, IC, CC 30" OG	1	EA	Not available online / Call for pricing and availability
2	023454-020	SVC DOOR SKIN KIT, VGSC, IC, CC 30" GM	1	EA	Not available online / Call for pricing and availability
2	023454-021	SVC DOOR SKIN KIT, VGSC, IC, CC 30" SA	1	EA	Not available online / Call for pricing and availability
2	023454-022	SVC DOOR SKIN KIT, VGSC, IC, CC 30" SE	1	EA	Not available online / Call for pricing and availability
2	023454-023	SVC DOOR SKIN KIT, VGSC, IC, CC 30" IB	1	EA	
2	023454-024	PANEL,DOOR,ASM,OTR,DECARB VGCC530 AR	1	EA	
2	023454-025	SVC DOOR SKIN KIT, VGSC, IC, CC 30" RR	1	EA	
2	023454-026	SVC DOOR SKIN KIT, VGSC, IC, CC 30" PM	1	EA	
2	023454-027	SVC DOOR SKIN KIT, VGSC, IC, CC 30" MS	1	EA	Not available online / Call for pricing and availability
3	PD020033	SRW-#10-24X1/2"T(23)PH.WFR HD (NKL)	8	EA	
4	004685-000	INSULATION, DOOR, PANEL	1	EA	
5	004684-000	PANEL, DOOR, INSULATION, GSC	1	EA	
6	004907-000	STEEL FINISHING PLUG, NICKEL PLTD 25/64" HOLE	4	EA	
7	PD030010	#10-24 KEPS NUT ZINC PLATED	4	EA	
8	PE060031	J-MOLD (LARGE WINDOW)	1	EA	
Not Shown	NOTE	(NOT FIELD REPLACEABLE - MUST ORDER ITEM # 2)		EA	
9	008097-000	FRAME, GLASS, ALUMINUM	1	EA	
Not Shown	NOTE	(NOT FIELD REPLACEABLE - MUST ORDER ITEM # 2)		EA	
10	002740-000	DOOR HINGE	2	EA	See TC-0121-SP Service Bulletin





Item	Part No.	Name	Qty	Uom	NOTES
11	007583-000	BRACKET, GLASS	2	EA	
12	004688-000	DOOR PANEL INSULATION LINER	1	EA	
13	A2002189	DOOR GLASS STANDOFF (VDSC)	2	EA	
14	PE060039	GLASS-HEAT TREATED (HB2) VDSC	2	EA	
15	000594-000	BLACK FIBERGLASS ROPE 3/8	1	EA	
16	000042-000	30" DOOR GASKET	1	EA	
17	001142-000	PLUG, DOOR, ASM, PORCELAIN	1	EA	

Comments for Part Num. 001142-000

bradleysapplianceservice@shaw.ca on Nov 2, 2015

001142-000 PLUG, DOOR, ASM, PORCELAIN (GREY WITH WHITE SPECS) OLD STYLE

001142-402 PLUG, DOOR, ASM, PORCELAIN BK (BLACK LINER) NEW STYLE

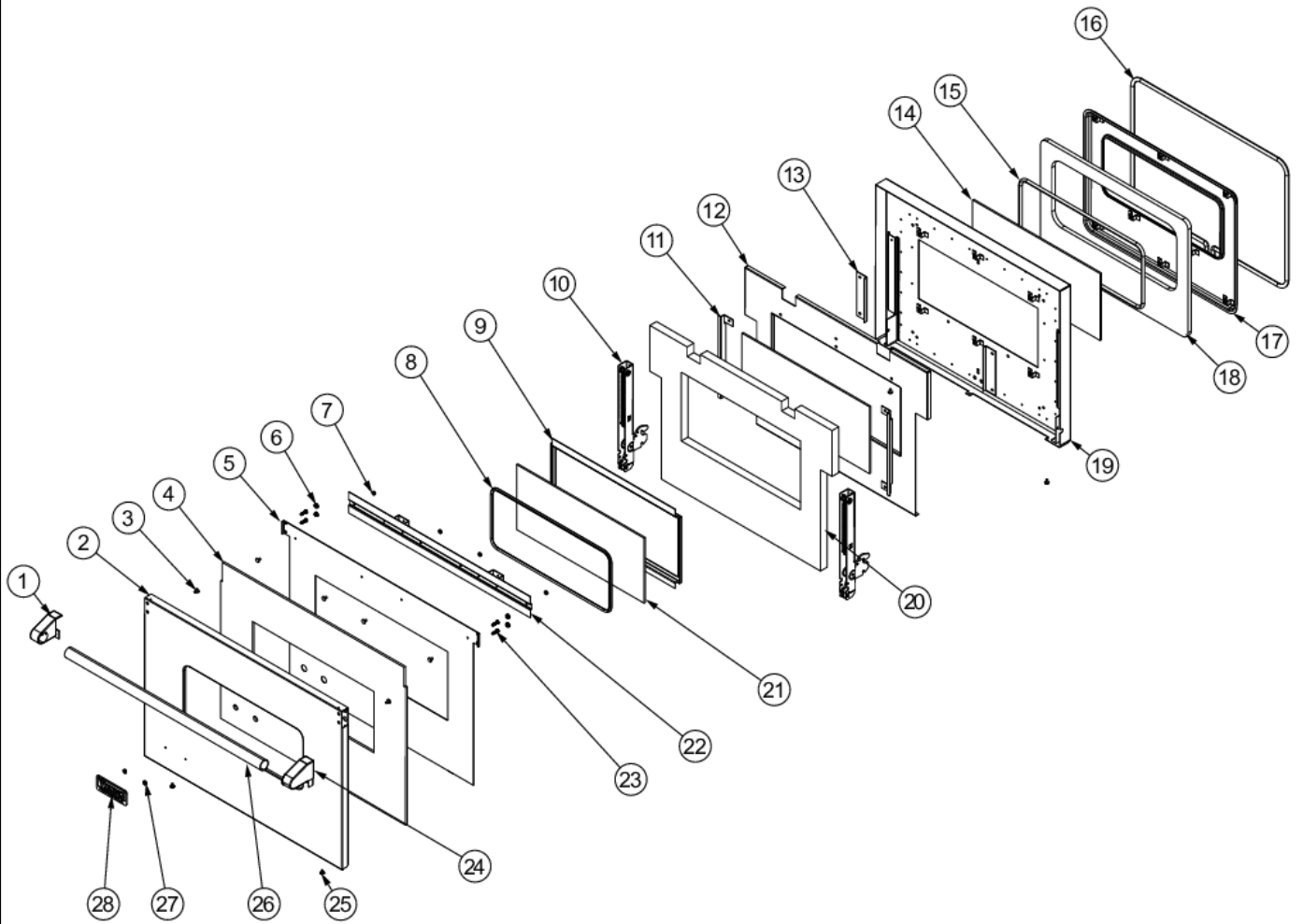
18	002560-000	DOOR PLUG INSULATION	1	EA	
19	004691-000	DOOR LINER ASSY		EA	

Comments for Part Num. 004691-000

profixappliances@gmail.com on Dec 29, 2017

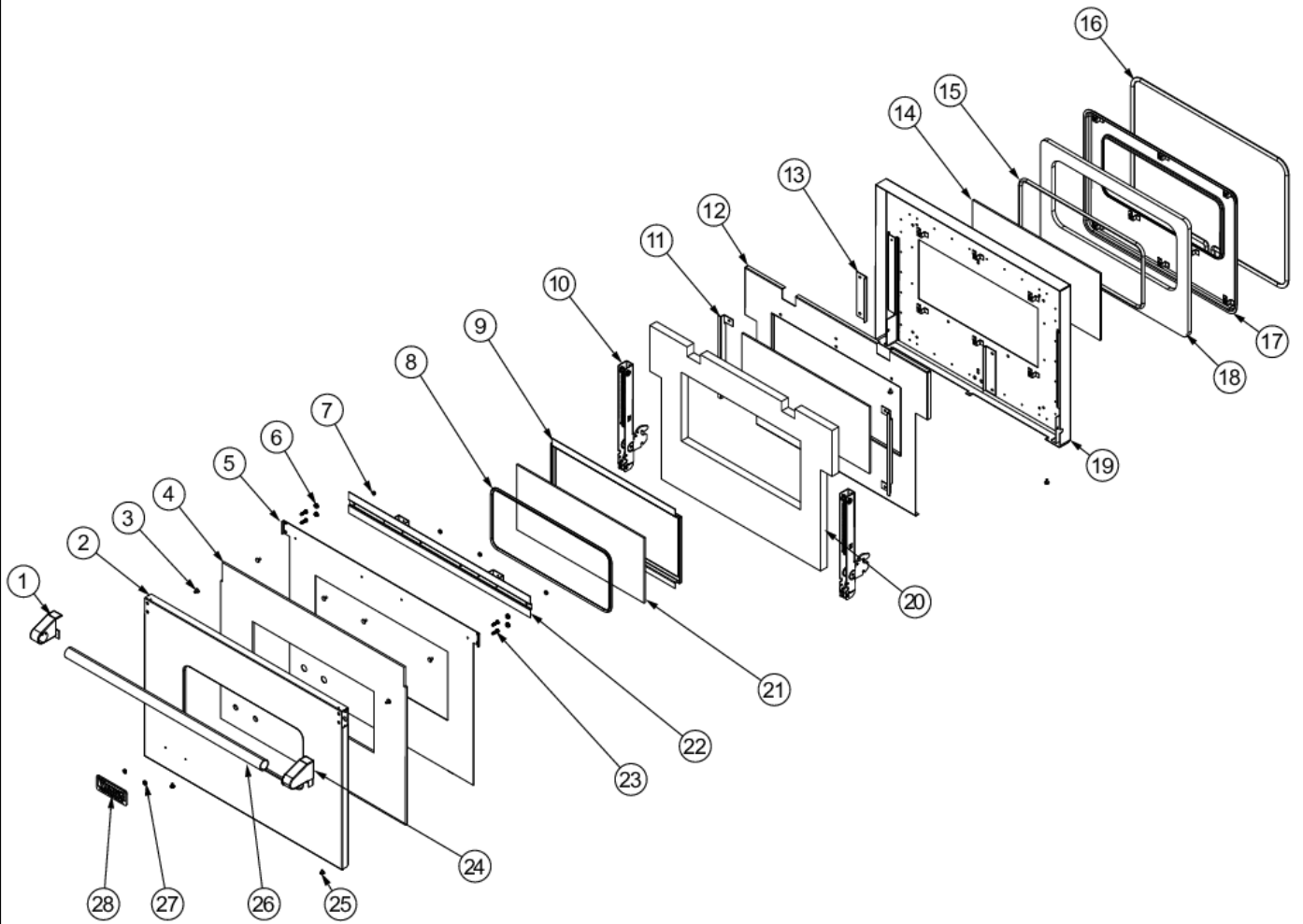
004691-000 IS SPECKLED FINISH, FOR ALL BLACK FINISH ORDER 004691-402.

20	005475-000	DOOR INSULATION	1	EA	
21	PE060030	OUTER DOOR GLASS	1	EA	
Not Shown	NOTE	(NOT FIELD REPLACEABLE - MUST ORDER ITEM # 2)		EA	
22	006553-000	DOOR BRACKET, WELD ASSY	1	EA	
23	030823-000	#10-32 PAN HEAD PHILLIPS MACHINE SCREW	4	EA	
24	003012-000	DOOR HANDLE ENDCAP ASSY, RH (CHROME)	1	EA	
24	003012-100	DOOR HANDLE ENDCAP ASSY, RH (BRASS) - NLA	1	EA	
25	PD020073	SRW #10 X 24 X 3/8 WAFER HD TYPE23	2	EA	
26	002728-000	DOOR HANDLE - SS, 1.25" 29.5	1	EA	
27	PD030006	CAPPED WASHER PAL NUT	2	EA	



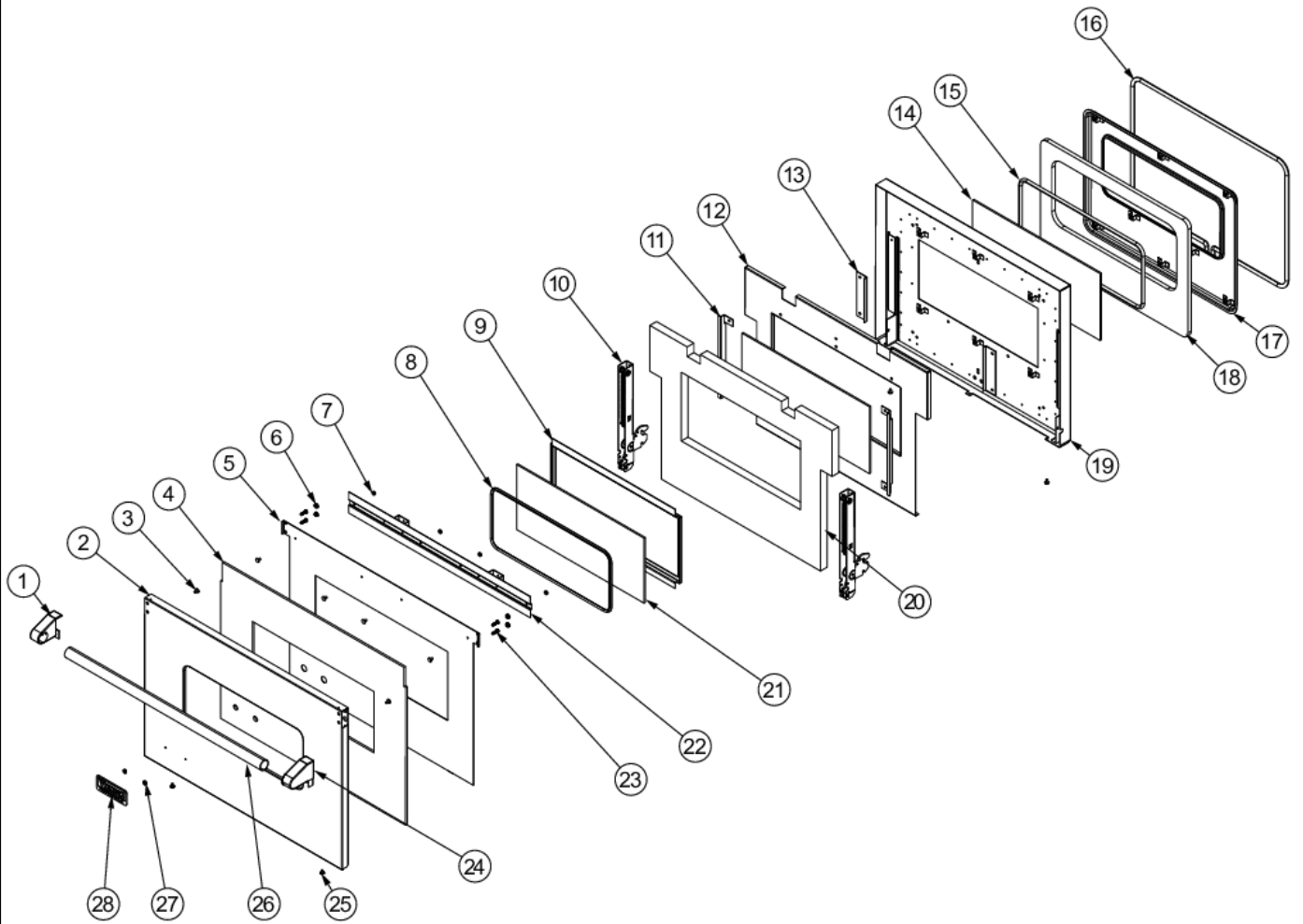


Item	Part No.	Name	Qty	Uom	NOTES
28	PE010016	LOGO (ALL RANGES) *BK/CHR 307997W	1	EA	
28	PE010079	4.5" LOGO/VIKING PROF *BK/BR	1	EA	
28	006468-000	DOOR ASSEMBLY - SS (INCLUDES ITEMS 1 - 12)	1	EA	
Comments for Part Num. 006468-000					
bradleysapplianceservice@shaw.ca on Nov 2, 2015					
006468-402 DOOR ASSY, SS VGCC530 BK (BLACK LINER) NEW STYLE					
006468-000 DOOR ASSY, SS VGCC530 (GREY WITH WHITE SPEC LINER) OLD STYLE					
28	006468-100	DOOR ASSEMBLY - SS/BR (INCLUDES ITEMS 1 - 12)	1	EA	Not available online / Call for pricing and availability
28	007364-002	DOOR ASSEMBLY - BK (INCLUDES ITEMS 1 - 12) - NLA	1	EA	
28	007364-003	DOOR ASSEMBLY - BT (INCLUDES ITEMS 1 - 12)	1	EA	
28	007364-004	DOOR ASSEMBLY - SG (INCLUDES ITEMS 1 - 12)	1	EA	
28	007364-005	DOOR ASSEMBLY - GG (INCLUDES ITEMS 1 - 12)	1	EA	
28	007364-006	DOOR ASSEMBLY - WH (INCLUDES ITEMS 1 - 12)	1	EA	Not available online / Call for pricing and availability
28	007364-008	DOOR ASSEMBLY - BU (INCLUDES ITEMS 1 - 12)	1	EA	
28	007364-009	DOOR ASSEMBLY - LE (INCLUDES ITEMS 1 - 12)	1	EA	
28	007364-010	DOOR ASSEMBLY - MJ (INCLUDES ITEMS 1 - 12)	1	EA	
28	007364-012	DOOR ASSEMBLY - VB (INCLUDES ITEMS 1 - 12)	1	EA	
28	007364-013	DOOR ASSEMBLY - CB (INCLUDES ITEMS 1 - 12)	1	EA	
28	007364-015	DOOR ASSEMBLY - PL (INCLUDES ITEMS 1 - 12)	1	EA	
28	007364-016	DOOR ASSEMBLY - CH (INCLUDES ITEMS 1 - 12)	1	EA	
28	007364-017	DOOR ASSEMBLY - TP (INCLUDES ITEMS 1 - 12)	1	EA	





Item	Part No.	Name	Qty	Uom	NOTES
28	007364-018	DOOR ASSEMBLY - CW (INCLUDES ITEMS 1 - 12) NLA	1	EA	
28	007364-019	DOOR ASSEMBLY - OG (INCLUDES ITEMS 1 - 12)	1	EA	
28	007364-020	DOOR ASSEMBLY - GM (INCLUDES ITEMS 1 - 12)	1	EA	
28	007364-021	DOOR ASSEMBLY - SA (INCLUDES ITEMS 1 - 12)	1	EA	
28	007364-022	DOOR ASSEMBLY - SE (INCLUDES ITEMS 1 - 12)	1	EA	
28	007364-023	DOOR ASSEMBLY - IB (INCLUDES ITEMS 1 - 12)	1	EA	
28	007364-024	DOOR ASSEMBLY - AR (INCLUDES ITEMS 1 - 12)	1	EA	Not available online / Call for pricing and availability
28	007364-025	DOOR ASSEMBLY - RR (INCLUDES ITEMS 1 - 12)	1	EA	
28	007364-026	DOOR ASSEMBLY - PM (INCLUDES ITEMS 1 - 12)	1	EA	
28	007364-027	DOOR ASSEMBLY - MS (INCLUDES ITEMS 1 - 12)	1	EA	
28	007364-102	DOOR ASSEMBLY - BK/BR (INCLUDES ITEMS 1 - 12)	1	EA	
28	007364-103	DOOR ASSEMBLY - BT/BR (INCLUDES ITEMS 1 - 12)	1	EA	
28	007364-104	DOOR ASSEMBLY - SG/BR (INCLUDES ITEMS 1 - 12)	1	EA	
28	007364-105	DOOR ASSEMBLY - GG/BR (INCLUDES ITEMS 1 - 12)	1	EA	
28	007364-106	DOOR ASSEMBLY - WH/BR (INCLUDES ITEMS 1 - 12)	1	EA	
28	007364-108	DOOR ASSEMBLY - BU/BR (INCLUDES ITEMS 1 - 12)	1	EA	
28	007364-109	DOOR ASSEMBLY - LE/BR (INCLUDES ITEMS 1 - 12)	1	EA	
28	007364-110	DOOR ASSEMBLY - MJ/BR (INCLUDES ITEMS 1 - 12)	1	EA	
28	007364-112	DOOR ASSEMBLY - VB/BR (INCLUDES ITEMS 1 - 12)	1	EA	
28	007364-113	DOOR ASSEMBLY - CB/BR (INCLUDES ITEMS 1 - 12)	1	EA	
28	007364-115	DOOR ASSEMBLY - PL/BR (INCLUDES ITEMS 1 - 12)	1	EA	

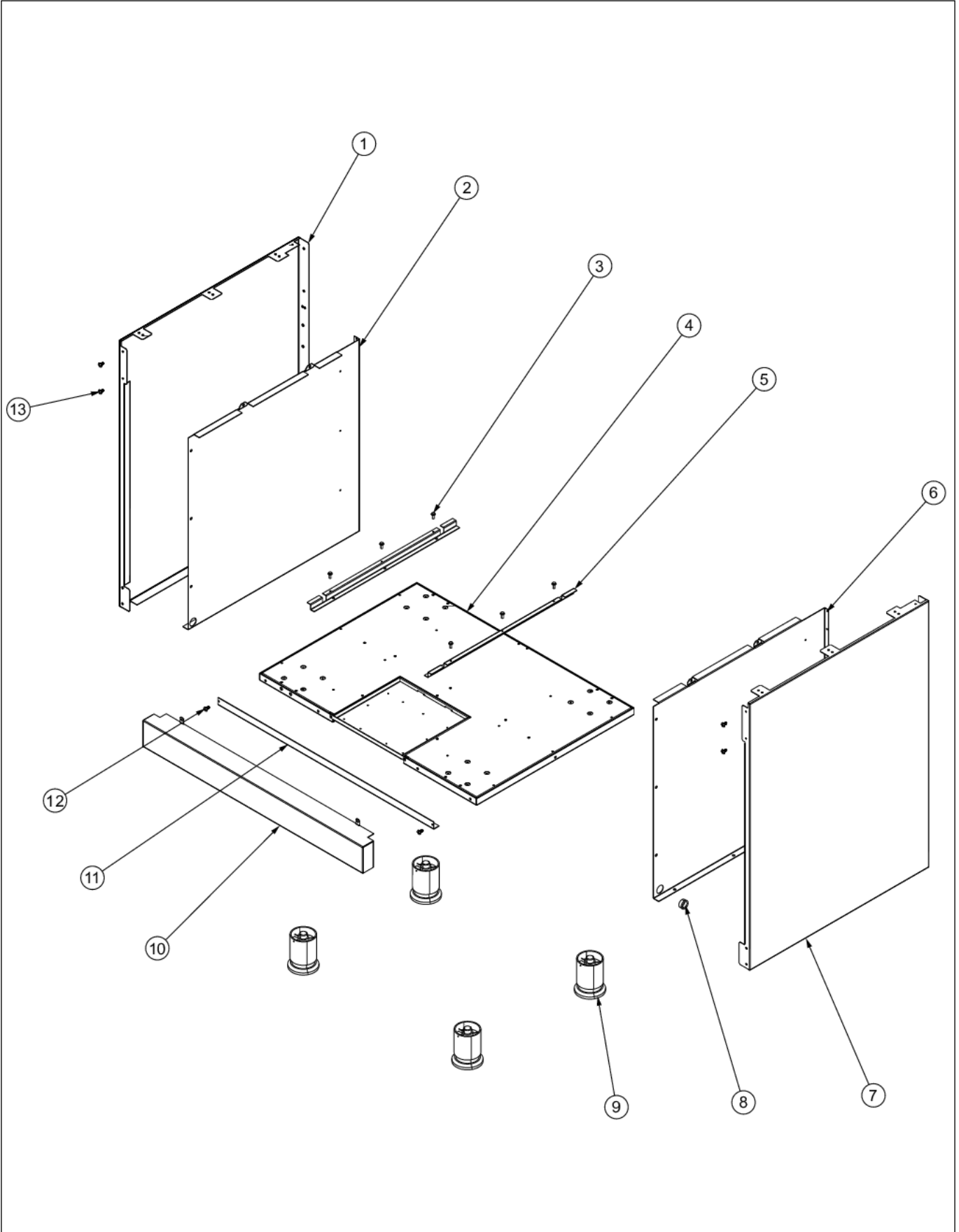






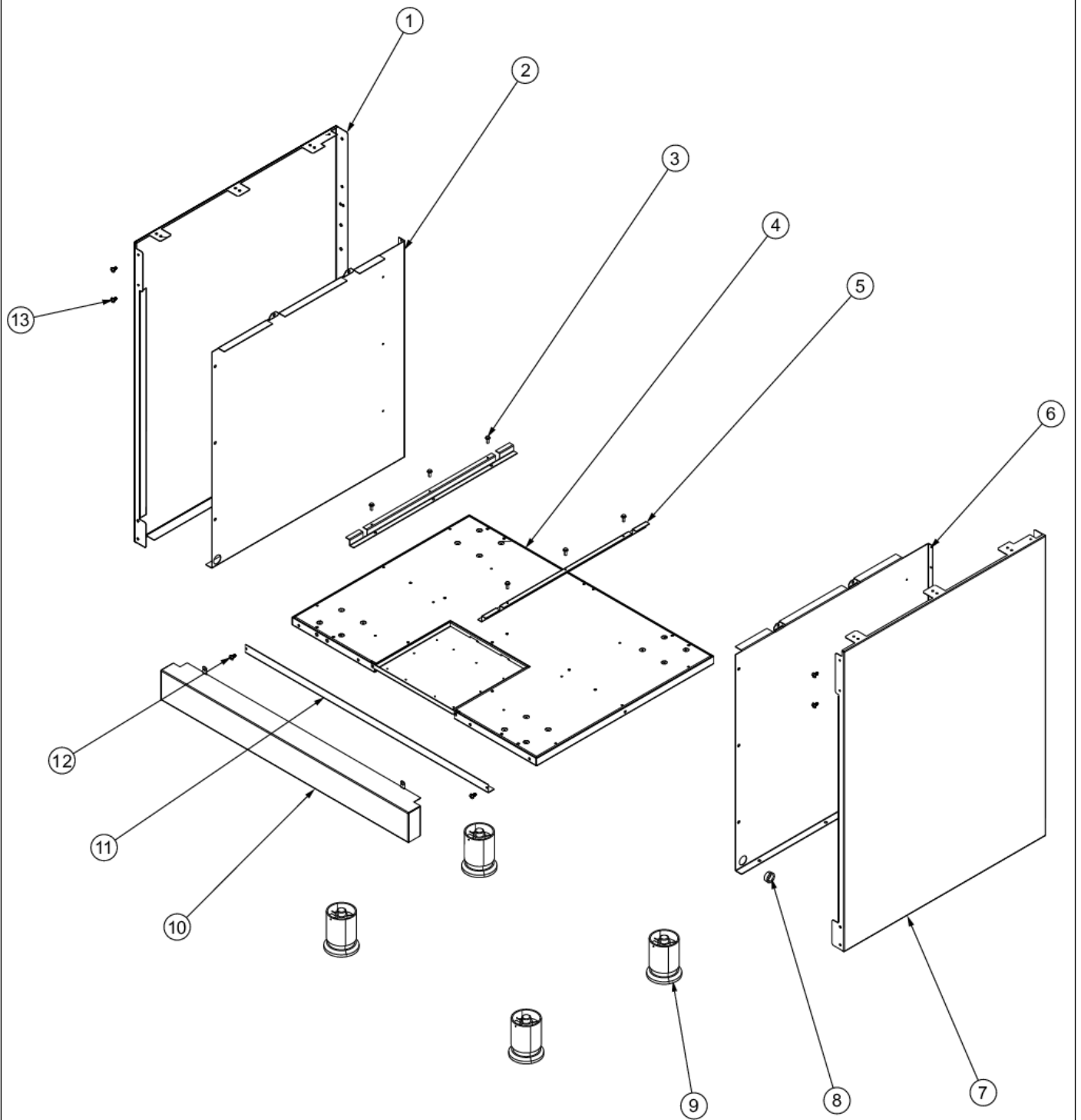
Item	Part No.	Name	Qty	Uom	NOTES
28	007364-116	DOOR ASSEMBLY - CH/BR (INCLUDES ITEMS 1 - 12)	1	EA	
28	007364-117	DOOR ASSEMBLY - TP/BR (INCLUDES ITEMS 1 - 12)	1	EA	
28	007364-118	DOOR ASSEMBLY - CW/BR (INCLUDES ITEMS 1 - 12)	1	EA	
28	007364-119	DOOR ASSEMBLY - OG/BR (INCLUDES ITEMS 1 - 12)	1	EA	
28	007364-120	DOOR ASSEMBLY - GM/BR (INCLUDES ITEMS 1 - 12)	1	EA	
28	007364-121	DOOR ASSEMBLY - SA/BR (INCLUDES ITEMS 1 - 12)	1	EA	
28	007364-122	DOOR ASSEMBLY - SE/BR (INCLUDES ITEMS 1 - 12)	1	EA	
28	007364-123	DOOR ASSEMBLY - IB/BR (INCLUDES ITEMS 1 - 12)	1	EA	
28	007364-124	DOOR ASSEMBLY - AR/BR (INCLUDES ITEMS 1 - 12)	1	EA	
28	007364-125	DOOR ASSEMBLY - RR/BR (INCLUDES ITEMS 1 - 12)	1	EA	
28	007364-126	DOOR ASSEMBLY - PM/BR (INCLUDES ITEMS 1 - 12)	1	EA	
28	007364-127	DOOR ASSEMBLY - MS/BR (INCLUDES ITEMS 1 - 12)	1	EA	

## LOWER UNIT AND SIDE PANELS

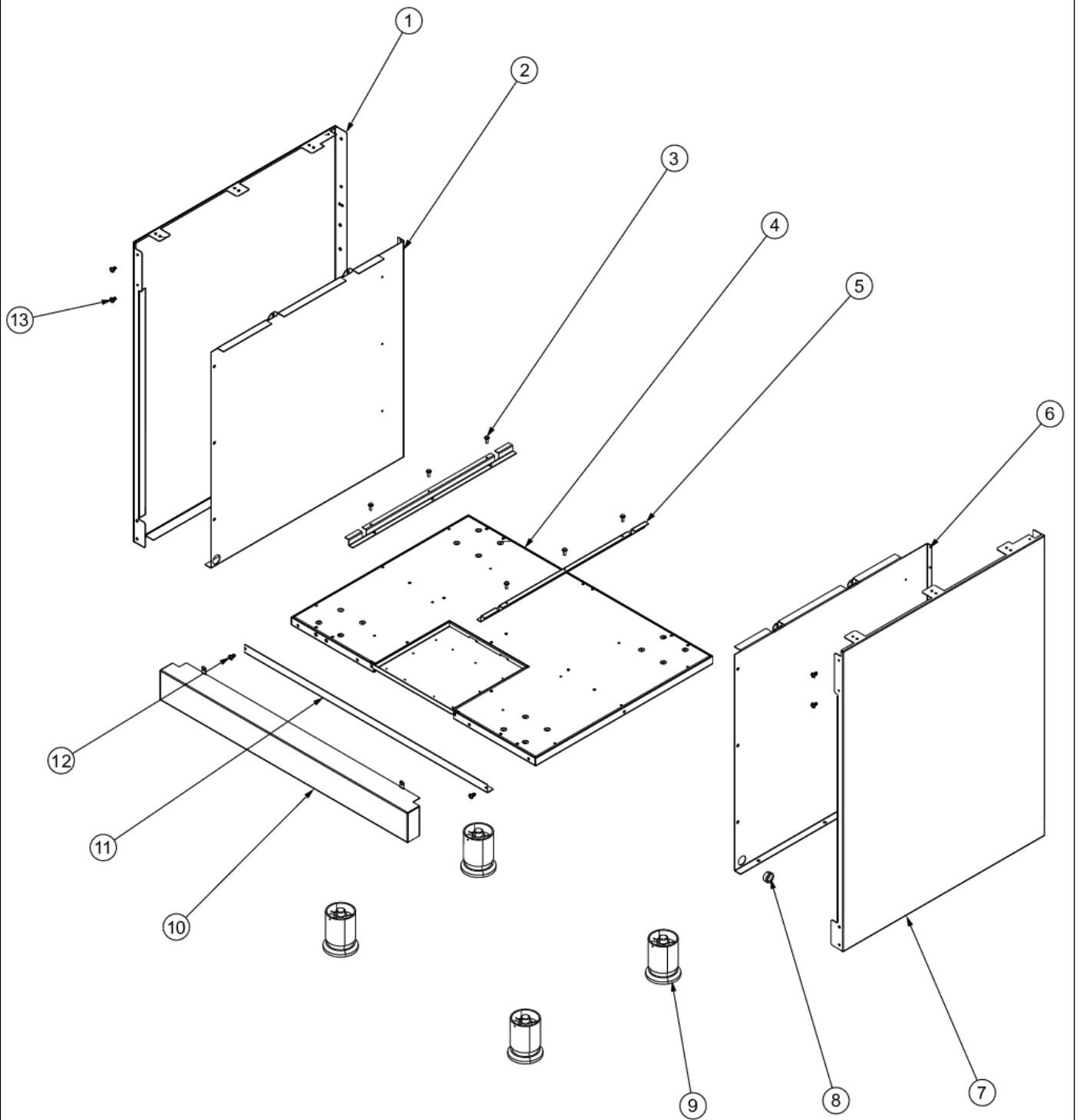




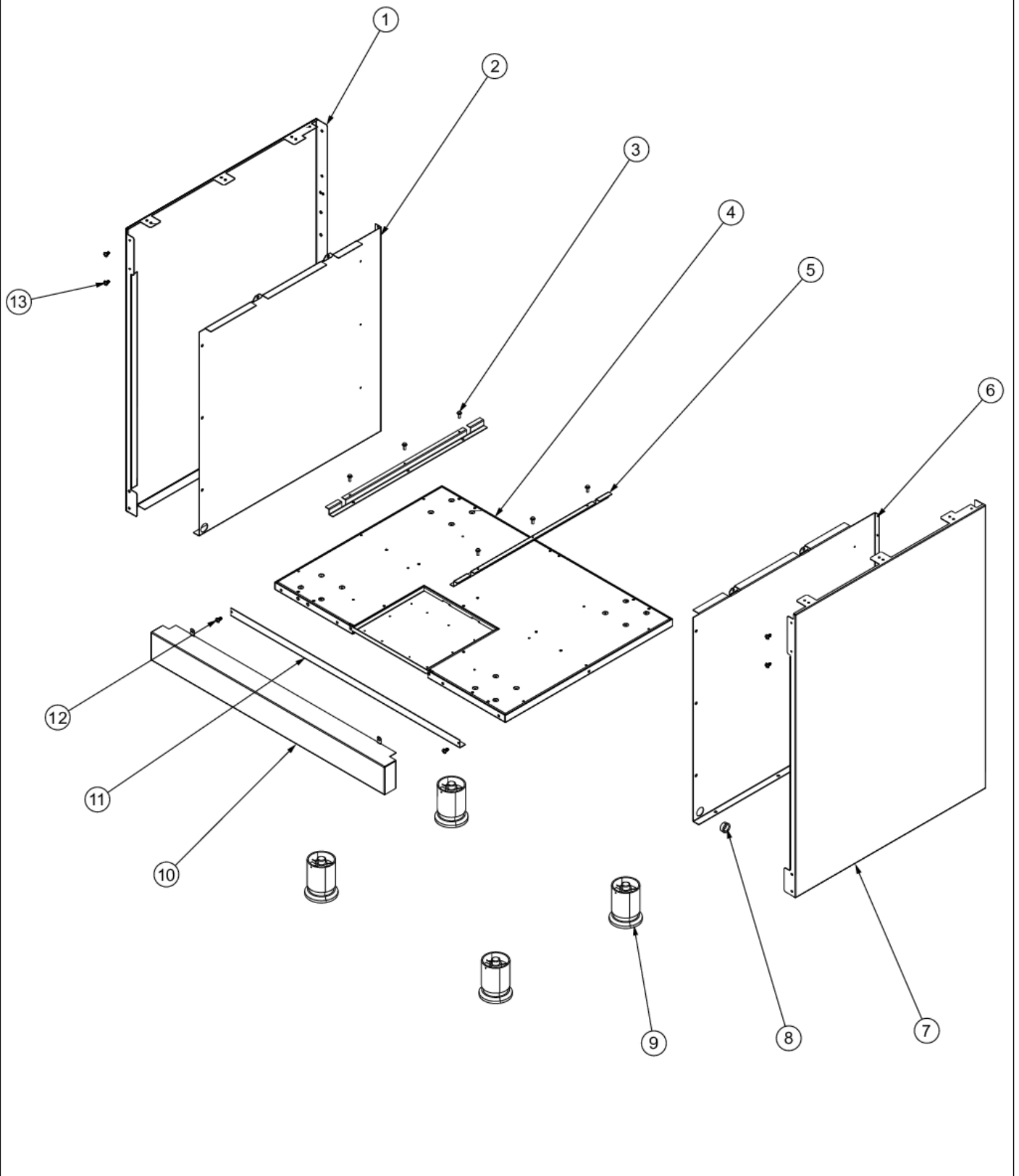
Item	Part No.	Name	Qty	Uom	NOTES
1	019123-000	PANEL, SIDE, LEFT	1	EA	
1	021310-002	PANEL, SIDE, LH BK	1	EA	
1	021310-003	PANEL, SIDE, LH BT	1	EA	
1	021310-004	PANEL, SIDE, LH SG	1	EA	
1	021310-005	PANEL, SIDE, LH GG	1	EA	
1	021310-006	PANEL, SIDE, LH WH	1	EA	Not available online / Call for pricing and availability
1	021310-008	PANEL, SIDE, LH BU	1	EA	
1	021310-009	PANEL, SIDE, LH LE	1	EA	
1	021310-010	PANEL, SIDE, LH MJ	1	EA	
1	021310-012	PANEL, SIDE, LH VB	1	EA	
1	021310-013	PANEL, SIDE, LH CB	1	EA	
1	021310-015	PANEL, SIDE, LH PL	1	EA	
1	021310-016	PANEL, SIDE, LH CH	1	EA	
1	021310-017	PANEL, SIDE, LH TP	1	EA	
1	021310-018	PANEL, SIDE, LH CW NLA	1	EA	
1	021310-019	PANEL, SIDE, LH OG	1	EA	
1	021310-020	PANEL, SIDE, LH GM	1	EA	
1	021310-021	PANEL, SIDE, LH SA	1	EA	
1	021310-022	PANEL, SIDE, LH SE	1	EA	
1	021310-023	PANEL, SIDE, LH IB	1	EA	
1	021310-024	PANEL, SIDE, LH AR	1	EA	
1	021310-025	PANEL, SIDE, LH RR	1	EA	
1	021310-026	PANEL, SIDE, LH PM	1	EA	
1	021310-027	PANEL, SIDE, LH MS	1	EA	
2	004482-000	INSULATION, PNL, SIDE, LH	1	EA	
3	PD020048	NO.10 X 1/2 TEK 410 SS SCREW	6	EA	
4	003056-000	BASE ASSEMBLY	1	EA	
5	A2004429	OVEN BOTTOM INSUL. BRACE (VGSC306)	2	EA	
6	004479-000	INSULATION, PNL, SIDE, RH	1	EA	
7	019124-000	PANEL, SIDE, RIGHT	1	EA	



Item	Part No.	Name	Qty	Uom	NOTES
7	021309-002	PANEL, SIDE, RH BK	1	EA	
7	021309-003	PANEL, SIDE, RH BT	1	EA	
7	021309-004	PANEL, SIDE, RH SG	1	EA	
7	021309-005	PANEL, SIDE, RH GG	1	EA	
7	021309-006	PANEL, SIDE, RH WH	1	EA	Not available online / Call for pricing and availability
7	021309-008	PANEL, SIDE, RH BU	1	EA	
7	021309--009	PANEL, SIDE, RH LE	1	EA	Not available online / Call for pricing and availability
7	021309-010	PANEL, SIDE, RH MJ	1	EA	
7	021309-012	PANEL, SIDE, RH VB	1	EA	
7	021309-013	PANEL, SIDE, RH CB	1	EA	
7	021309-015	PANEL, SIDE, RH PL	1	EA	
7	021309-016	PANEL, SIDE, RH CH	1	EA	
7	021309-017	PANEL, SIDE, RH TP	1	EA	
7	021309-018	PANEL, SIDE, RH CW NLA	1	EA	
7	021309-019	PANEL, SIDE, RH OG	1	EA	
7	021309-020	PANEL, SIDE, RH GM	1	EA	
7	021309-021	PANEL, SIDE, RH SA	1	EA	
7	021309-022	PANEL, SIDE, RH SE	1	EA	
7	021309-023	PANEL, SIDE, RH IB	1	EA	
7	021309-024	PANEL, SIDE, RH AR	1	EA	
7	021309-025	PANEL, SIDE, RH RR	1	EA	
7	021309-026	PANEL, SIDE, RH PM	1	EA	
7	021309-027	PANEL, SIDE, RH MS	1	EA	
8	PD040005	SNAP BUSHING - 7/8"	1	EA	
9	044178-000	RANGE, LEG, ADJUSTABLE	4	EA	
10	006198-000	PANEL, ACS, 30", GSC	1	EA	
Not Shown	NOTE	(BEFORE 06/14/12)		EA	
10	035955-000	PANEL, ACS, 30", GSC	1	EA	
Not Shown	NOTE	(FROM 6/14/12 - 6/14/13)		EA	



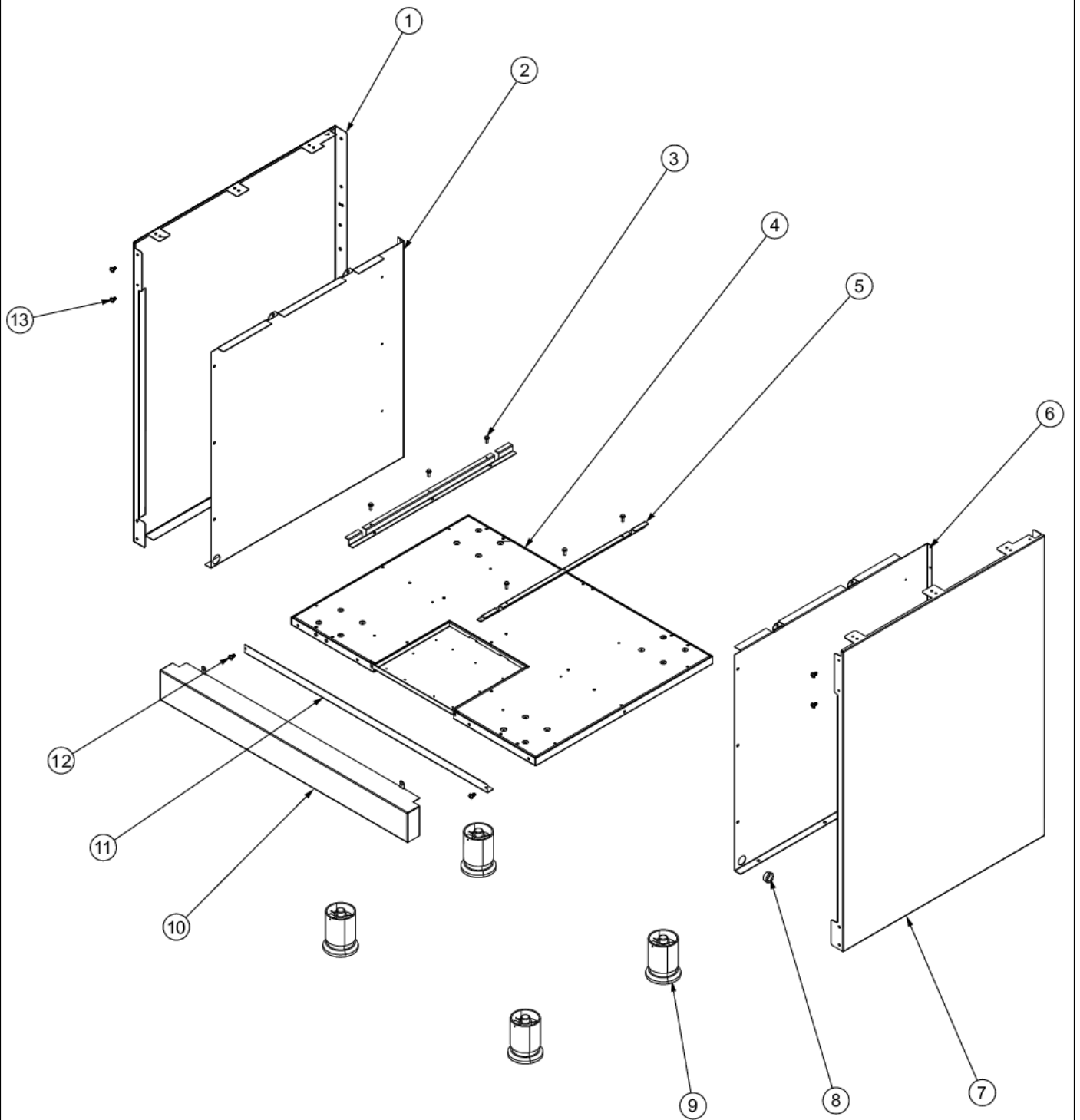
Item	Part No.	Name	Qty	Uom	NOTES
10	038426-000	KICKPLATE,30"	1	EA	
Not Shown	NOTE	(ON OR AFTER 06/14/13)		EA	
10	007361-002	PANEL, ACS, 30", KICKPLATE, BK	1	EA	
Not Shown	NOTE	(BEFORE 06/14/13)		EA	
10	038577-002	KICKPLATE, 30" BK	1	EA	
Not Shown	NOTE	(ON OR AFTER 06/14/13)		EA	
10	007361-003	PANEL, ACS, 30", KICKPLATE, BT	1	EA	
Not Shown	NOTE	(BEFORE 06/14/13)		EA	
10	038577-003	KICKPLATE 30" BT	1	EA	
Not Shown	NOTE	(ON OR AFTER 06/14/13)		EA	
10	007361-004	PANEL, ACS, 30", KICKPLATE, SG	1	EA	
Not Shown	NOTE	(BEFORE 06/14/13)		EA	
10	038577-004	KICKPLATE 30" SG	1	EA	
Not Shown	NOTE	(ON OR AFTER 06/14/13)		EA	
10	007361-005	PANEL, ACS, 30", KICKPLATE, GG	1	EA	
Not Shown	NOTE	(BEFORE 06/14/13)		EA	
10	038577-005	KICKPLATE, 30" GG	1	EA	
Not Shown	NOTE	(ON OR AFTER 06/14/13)		EA	
10	007361-006	PANEL, ACS, 30", KICKPLATE, WH	1	EA	
Not Shown	NOTE	(BEFORE 06/14/13)		EA	
10	038577-006	KICKPLATE, 30" WH	1	EA	
Not Shown	NOTE	(ON OR AFTER 06/14/13)		EA	
10	007361-008	PANEL, ACS, 30", KICKPLATE, BU	1	EA	
Not Shown	NOTE	(BEFORE 06/14/13)		EA	





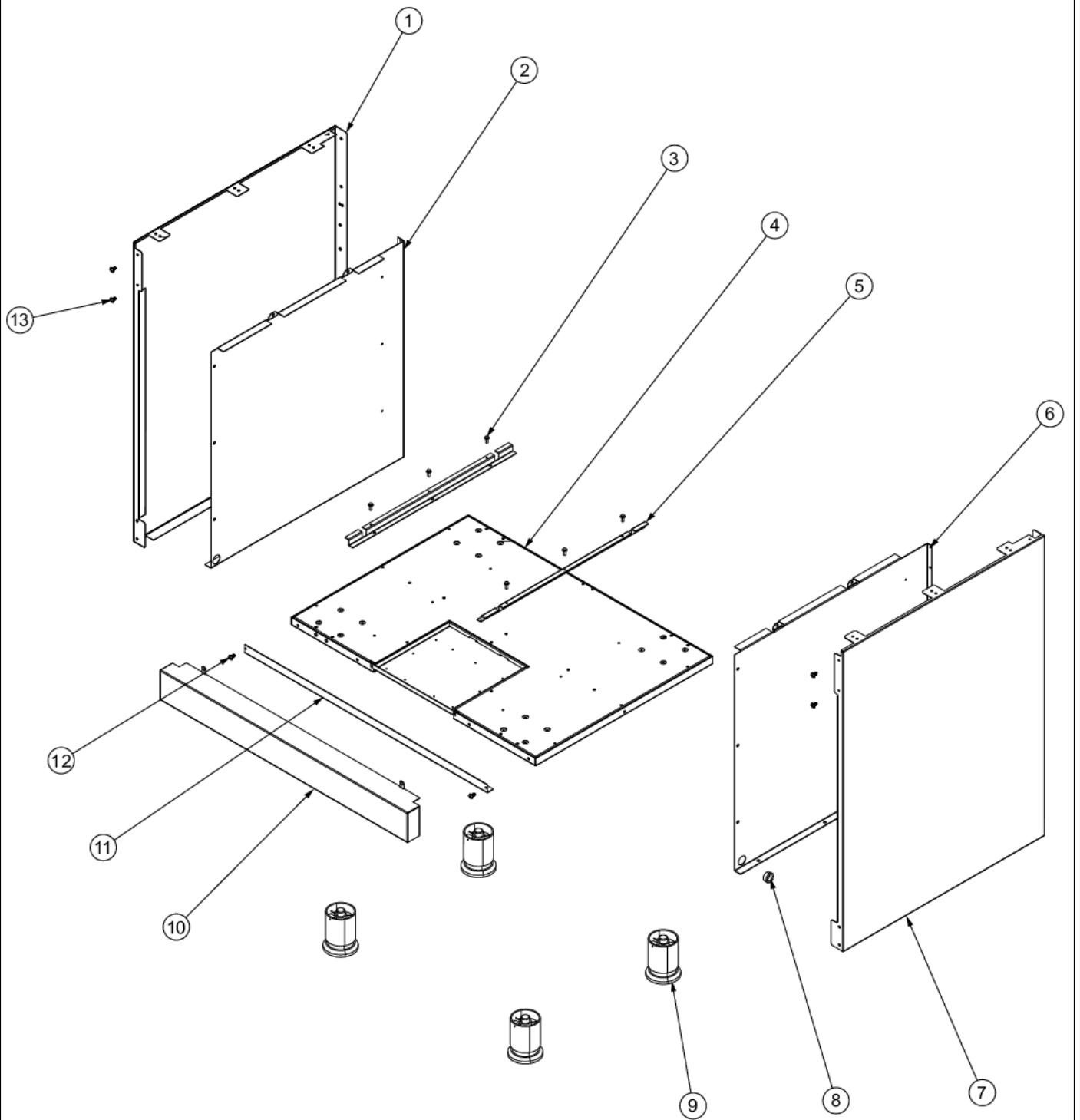


Item	Part No.	Name	Qty	Uom	NOTES
10	038577-008	KICKPLATE, 30" BU	1	EA	
Not Shown	NOTE	(ON OR AFTER 06/14/13)		EA	
10	007361-009	PANEL, ACS, 30", KICKPLATE, LE	1	EA	
Not Shown	NOTE	(BEFORE 06/14/13)		EA	
10	038577-009	KICKPLATE 30" LE	1	EA	
Not Shown	NOTE	(ON OR AFTER 06/14/13)		EA	
10	007361-010	PANEL, ACS, 30", KICKPLATE, MJ	1	EA	
Not Shown	NOTE	(BEFORE 06/14/13)		EA	
10	038577-010	KICKPLATE 30" MJ	1	EA	
Not Shown	NOTE	(ON OR AFTER 06/14/13)		EA	
10	007361-012	PANEL, ACS, 30", KICKPLATE, VB	1	EA	
Not Shown	NOTE	(BEFORE 06/14/13)		EA	
10	038577-012	KICKPLATE 30" VB	1	EA	
Not Shown	NOTE	(ON OR AFTER 06/14/13)		EA	
10	007361-013	PANEL, ACS, 30", KICKPLATE, CB	1	EA	
Not Shown	NOTE	(BEFORE 06/14/13)		EA	
10	038577-013	KICKPLATE, 30" CB	1	EA	
Not Shown	NOTE	(ON OR AFTER 06/14/13)		EA	
10	007361-015	PANEL, ACS, 30", KICKPLATE, PL	1	EA	
Not Shown	NOTE	(BEFORE 06/14/13)		EA	
10	038577-015	KICKPLATE 30" CH	1	EA	
Not Shown	NOTE	(ON OR AFTER 06/14/13)		EA	
10	007361-016	PANEL, ACS, 30", KICKPLATE, CH	1	EA	Not available online / Call for pricing and availability



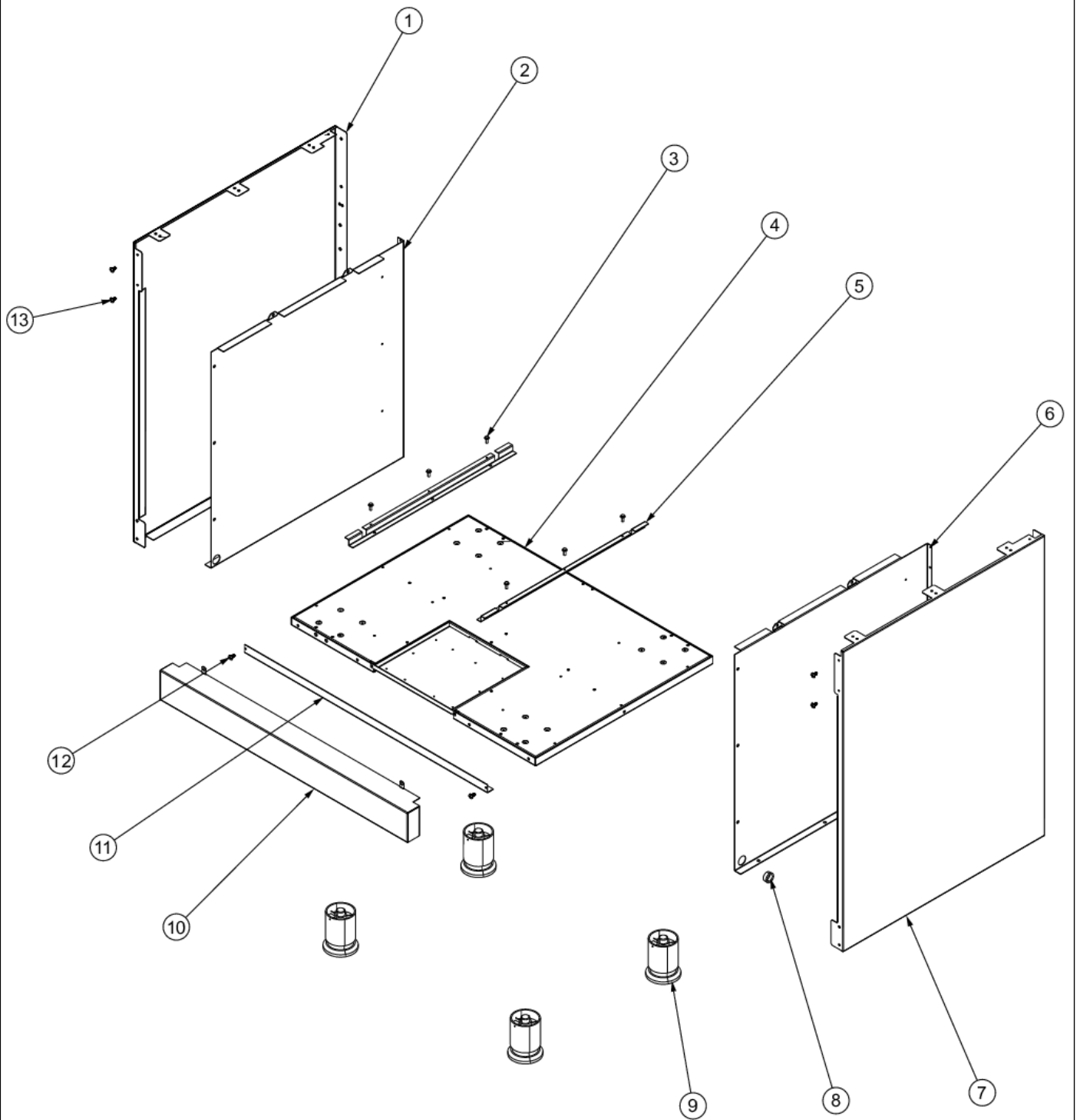


Item	Part No.	Name	Qty	Uom	NOTES
Not Shown	NOTE	(BEFORE 06/14/13)		EA	
10	038577-015	KICKPLATE 30" CH	1	EA	
Not Shown	NOTE	(ON OR AFTER 06/14/13)		EA	
10	007361-017	PANEL, ACS, 30" KICKPLATE, TP	1	EA	
Not Shown	NOTE	(BEFORE 06/14/13)		EA	
10	038577-017	KICKPLATE 30" OG	1	EA	
Not Shown	NOTE	(ON OR AFTER 06/14/13)		EA	
10	007361-018	PANEL, ACS, 30" KICKPLATE, CW NLA	1	EA	
Not Shown	NOTE	(BEFORE 06/14/13)		EA	
10	038577-017	KICKPLATE 30" OG	1	EA	
Not Shown	NOTE	(ON OR AFTER 06/14/13)		EA	
10	007361-019	PANEL, ACS, 30", KICKPLATE, OG	1	EA	
Not Shown	NOTE	(BEFORE 06/14/13)		EA	
10	038577-017	KICKPLATE 30" OG	1	EA	
Not Shown	NOTE	(ON OR AFTER 06/14/13)		EA	
10	007361-020	PANEL, ACS, 30", KICKPLATE, GM	1	EA	
Not Shown	NOTE	(BEFORE 06/14/13)		EA	
10	038577-020	KICKPLATE 30" GM	1	EA	
Not Shown	NOTE	(ON OR AFTER 06/14/13)		EA	
10	007361-021	PANEL, ACS, 30", KICKPLATE, SA	1	EA	
Not Shown	NOTE	(BEFORE 06/14/13)		EA	
10	038577-021	KICKPLATE 30" SA	1	EA	
Not Shown	NOTE	(ON OR AFTER 06/14/13)		EA	





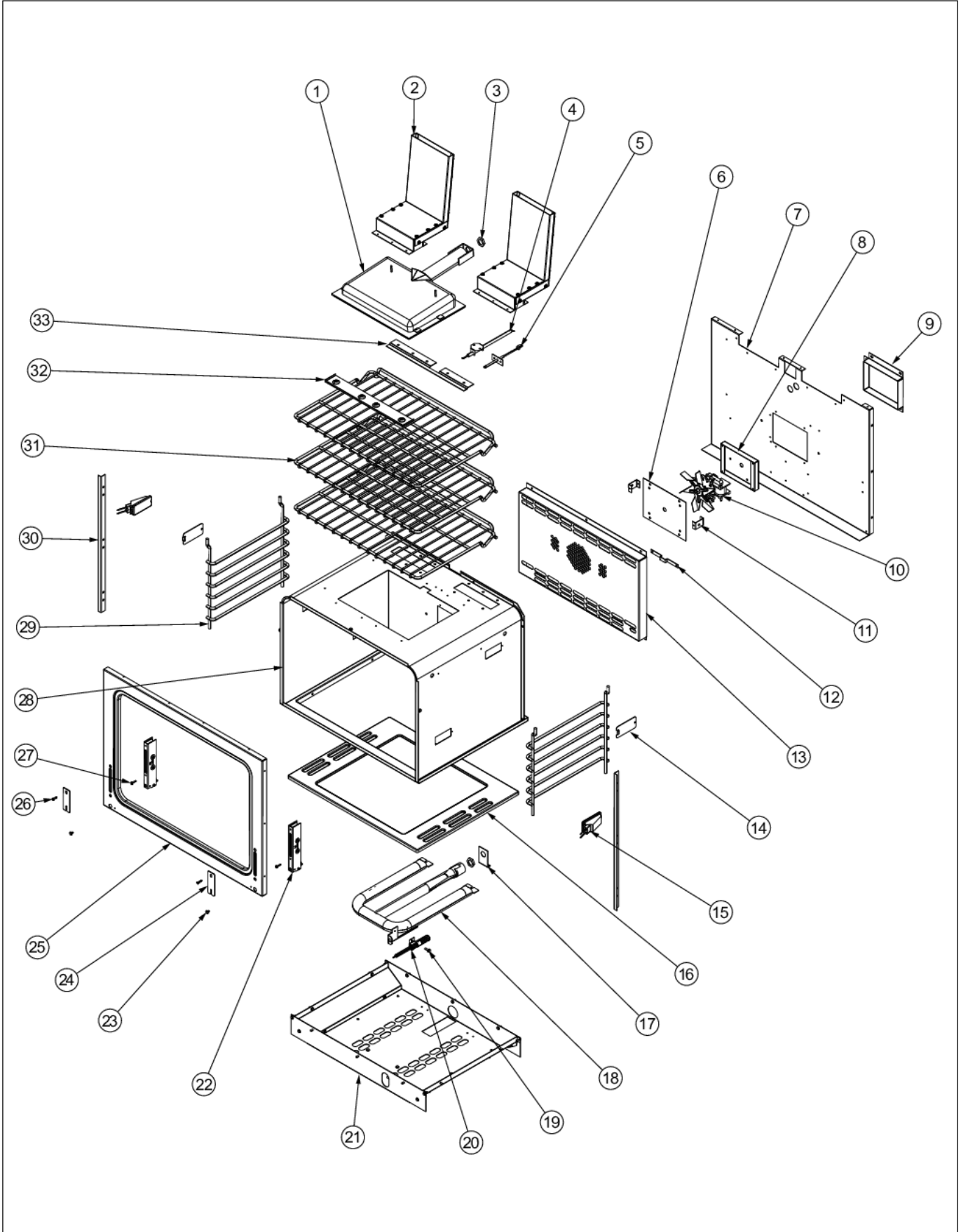
Item	Part No.	Name	Qty	Uom	NOTES
10	007361-022	PANEL, ACS, 30" KICKPLATE, SE	1	EA	Not available online / Call for pricing and availability
Not Shown	NOTE	(BEFORE 06/14/13)		EA	
10	038577-022	KICKPLATE 30" SE	1	EA	
Not Shown	NOTE	(ON OR AFTER 06/14/13)		EA	
10	007361-023	PANEL, ACS, 30", KICKPLATE, IB	1	EA	
Not Shown	NOTE	(BEFORE 06/14/13)		EA	
10	038577-023	KICKPLATE 30" IB	1	EA	
Not Shown	NOTE	(ON OR AFTER 06/14/13)		EA	
10	007361-024	PANEL, ACS, 30", KICKPLATE, AR	1	EA	
Not Shown	NOTE	(BEFORE 06/14/13)		EA	
10	038577-024	KICKPLATE, 30" AR	1	EA	
Not Shown	NOTE	(ON OR AFTER 06/14/13)		EA	
10	007361-025	PANEL, ACS, 30", KICKPLATE, RR	1	EA	
Not Shown	NOTE	(BEFORE 06/14/13)		EA	
10	038577-025	KICKPLATE 30" RR	1	EA	
Not Shown	NOTE	(ON OR AFTER 06/14/13)		EA	
10	007361-026	PANEL, ACS, 30", KICKPLATE, PM	1	EA	
Not Shown	NOTE	(BEFORE 06/14/13)		EA	
10	038577-026	KICKPLATE, 30" PM	1	EA	
Not Shown	NOTE	(ON OR AFTER 06/14/13)		EA	
10	007361-027	PANEL, ACS, 30", KICKPLATE, MS	1	EA	
Not Shown	NOTE	(BEFORE 06/14/13)		EA	
10	038577-027	KICKPLATE 30" MS	1	EA	





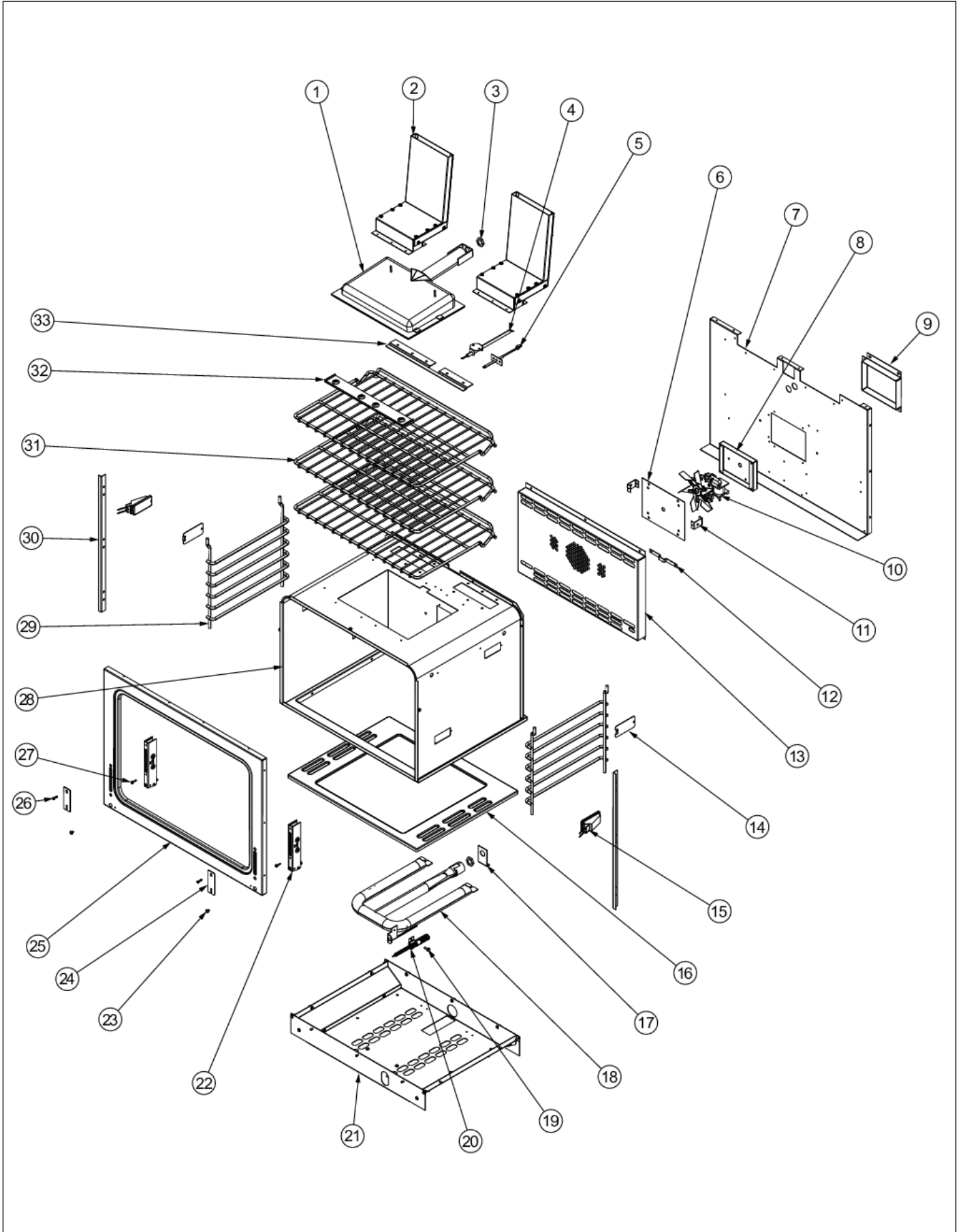
Item	Part No.	Name	Qty	Uom	NOTES
Not Shown	NOTE	(ON OR AFTER 06/14/13)		EA	
11	006199-000	SPACER, BOT, 30", GSC	1	EA	
12	003801-000	SHOULDER SCREW, #10	2	EA	
13	014143-000	SCR 10-12 A SHLD TRP 1/2 S ZN BLUE	4	EA	

## OVEN CAVITY

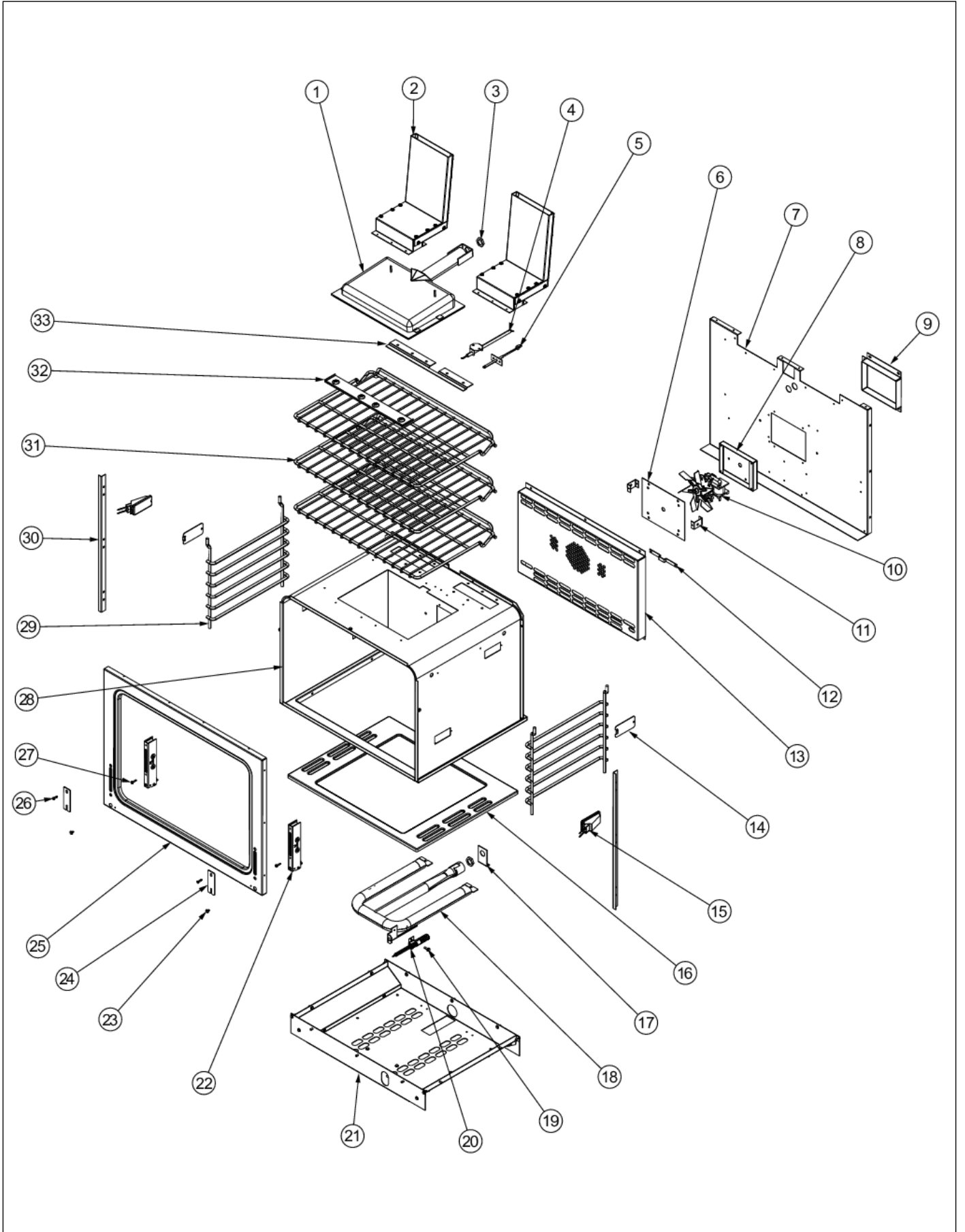




Item	Part No.	Name	Qty	Uom	NOTES
1	G3001876	IR BURNER ASSY (VGSC/RC) N/S	1	EA	
2	006192-000	VENT, ASM, OVEN ASSEMBLY	2	EA	
3	PD030018	PALNUT - 3/4-16	2	EA	
4	PB040171	BROIL IGNITION ELECTRODE	1	EA	
5	PE050206	RTD THERMOSTAT PROBE	1	EA	
6	A1002596	CONVECTION FAN COVER (VDSC)	1	EA	
7	020404-000	FLAT PANEL	1	EA	
8	A2002595	CONVECTION FAN BOX (VDSC)	1	EA	
9	A2008467	INSULATION SHIELD	1	EA	
Not Shown	NOTE	(NO LONGER USED ON THIS MODEL)		EA	
10	PE050057	CONVECTION FAN (VGSC306)	1	EA	
Not Shown	NOTE	(BEFORE 8/31/11)		EA	
10	023090-000	MOTOR, CONV ASM	1	EA	
Not Shown	NOTE	(ON OR AFTER 8/31/11)		EA	
11	A2001361	BACK SPACER (VGSC/VGSS)	2	EA	
12	A2004428	REAR BOTTOM BRCKT (VGSC306)	1	EA	
Not Shown	NOTE	(BEFORE 8/31/11)		EA	
13	G9104482	CONVECTION FAN COVER ASSY (VGSC306)	1	EA	
14	E91012614	LIGHT HOLE COVER	2	EA	
15	005311-000	LAMP, OVEN, 120V/25W	2	EA	
16	066203-000	ASM, BOTTOM, CAVITY, OVEN, GAS, 30"	1	EA	
17	005529-000	BAKE ORIFICE MOUNTING BRACKET	1	EA	
Not Shown	NOTE	(BEFORE 2/11/13)		EA	
17	040736-000	BRKT, ORF	1	EA	
Not Shown	NOTE	(ON OR AFTER 2/11/13)		EA	
18	005329-000	BURNER, OVEN, ASM	1	EA	
18	005330-000	BURNER, OVEN, ASM (LP)	1	EA	



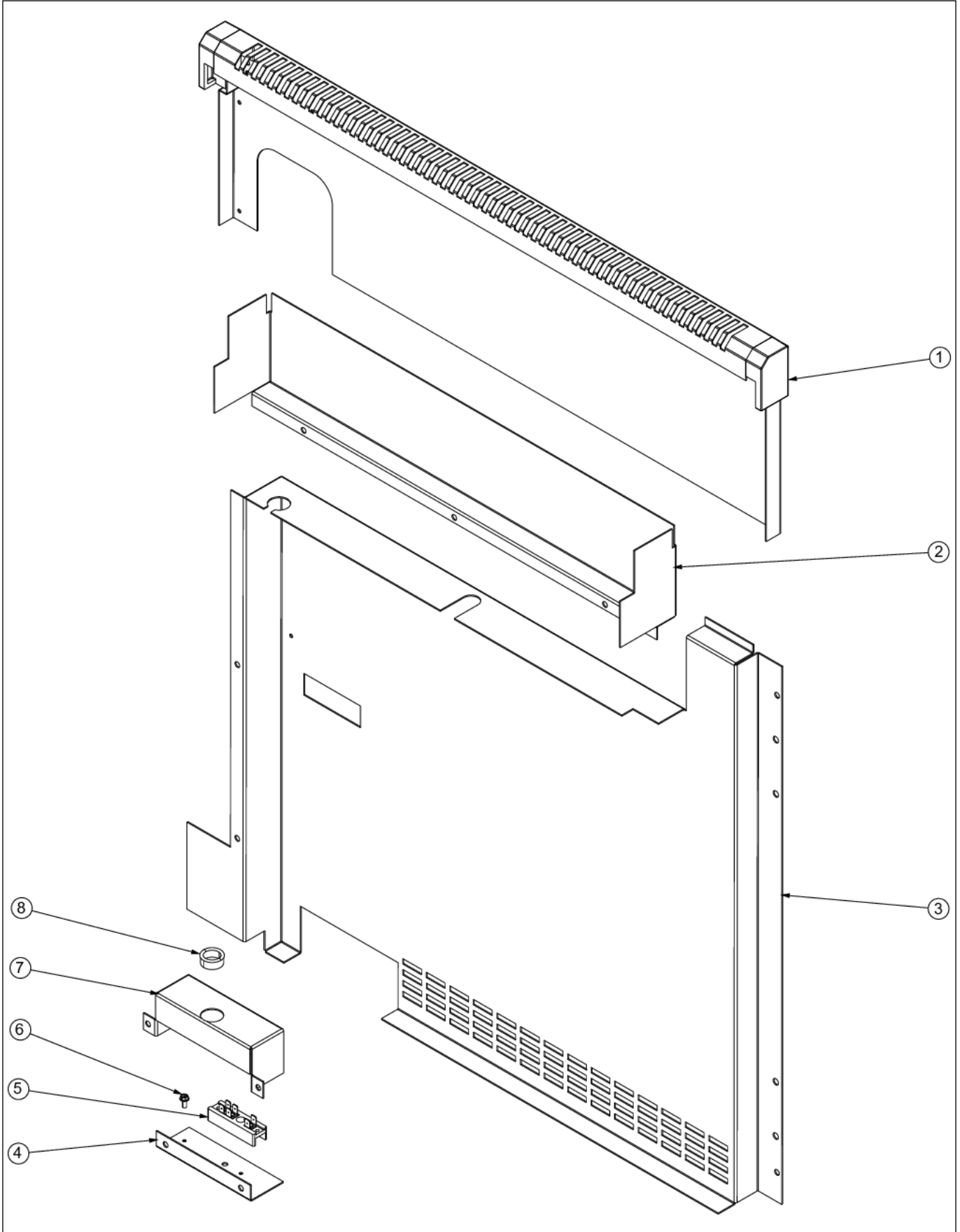
Item	Part No.	Name	Qty	Uom	NOTES
19	023005-000	SCREW-TF	1	EA	
20	PB040170	BAKE IGNITION ELECTRODE	1	EA	
21	005102-000	BURNER PAN ASSEMBLY	1	EA	
22	031679-000	RECEPTACLE, HINGE	2	EA	
23	PD020032	SRW-8(A)X3/8"PH.WFR HD 7/16DIA*NICL	2	EA	
24	007278-000	ARM HINGE CLIP	2	EA	
Not Shown	NOTE	(BEFORE 01/02/13)		EA	
24	049718-402	CLIP, RETAINER, HINGE, GLOSS BLACK ENAMEL	2	EA	
Not Shown	NOTE	(AFTER 01/02/13)		EA	
25	005373-000	30" FRONT FRAME WELD ASSY	1	EA	
26	PD020061	' #8 X 3/4 FLAT HD TEK. *SS*	2	EA	
27	PD020232	#8 X 3/4" PH PAN HEAD TEK SCREW (BLACK OXIDE)	2	EA	
28	005047-000	OVEN CAVITY WELD	1	EA	Not available online / Call for pricing and availability
29	PB060030	RACK SUPT REPL PB060010	2	EA	
Not Shown	NOTE	BEFORE 12/20/12		EA	
29	066225-402	GUIDE, RACK, RH- BK	2	EA	
Not Shown	NOTE	(ON OR AFTER 12/20/12		EA	
30	005536-000	TRIM	2	EA	
31	PB060044	OVEN RK VDSC30/48RH REPL PB060019	3	EA	
Not Shown	NOTE	(BEFORE 12/20/12)		EA	
31	040863-000	RACK, PRO, 30"	3	EA	
Not Shown	NOTE	(ON OR AFTER 12/20/12)		EA	
32	B2001448	IR BROIL SUPT (FRONT)	1	EA	
33	B2005589	REAR BROILER BRACKET	2	EA	Not available online / Call for pricing and availability
NI	PB040071	NATURAL BAKE ORIFICE #35	1	EA	





Item	Part No.	Name	Qty	Uom	NOTES
Not Shown	NOTE	(NAT ORIFICE FOR BAKE)		EA	
NI	PB040035	ORIFICE HOOD-#51 9701B1651	1	EA	
Not Shown	NOTE	(LP ORIFICE FOR BAKE)		EA	
NI	PB040040	ORIFICE-IR BURNER (VGSC)	1	EA	
Not Shown	NOTE	(NAT ORIFICE FOR BROIL)		EA	
NI	PB040027	IR BUR.SPUD ORF. - #56 LP	1	EA	
Not Shown	NOTE	(LP ORIFICE FOR BROIL)		EA	

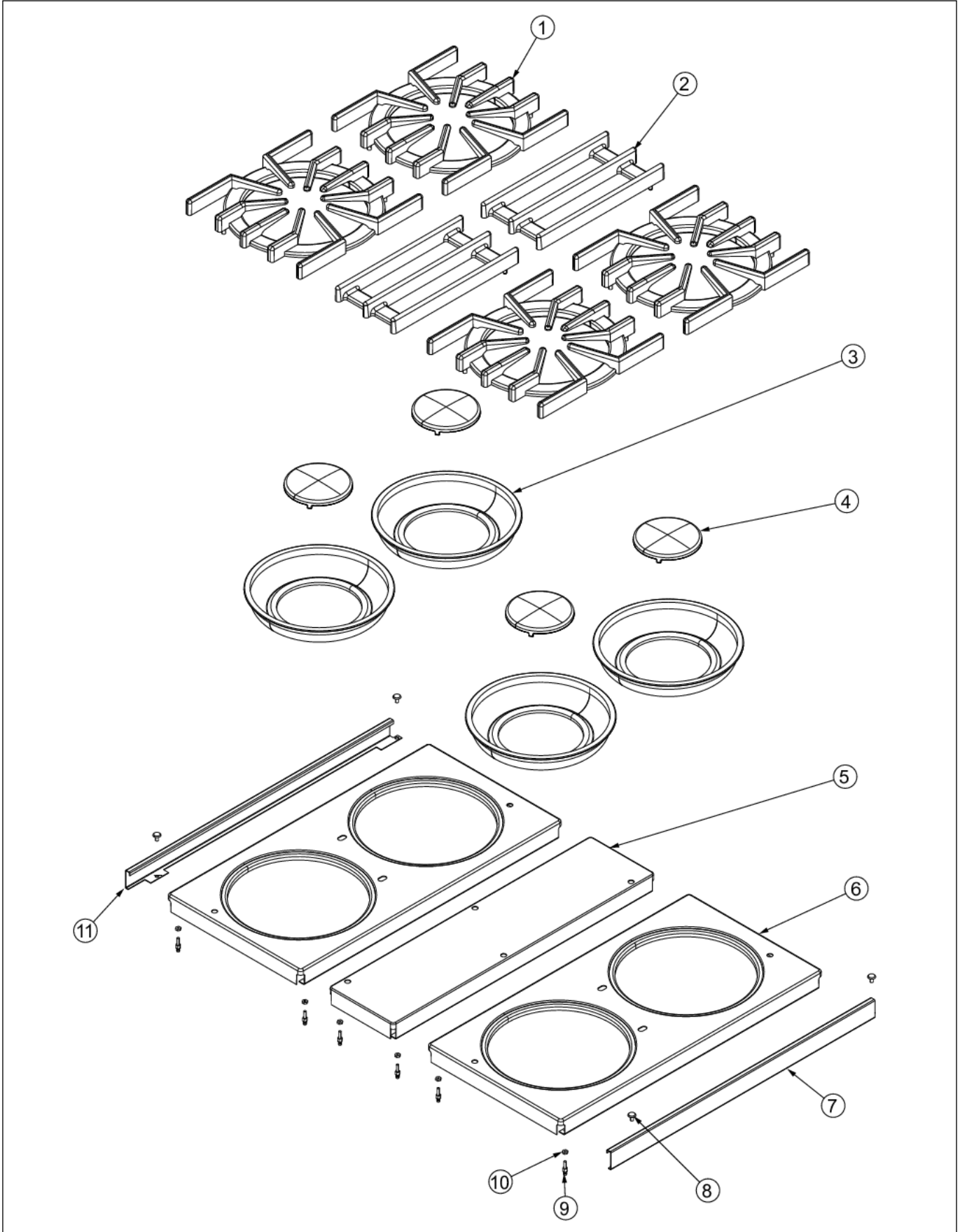
REAR SHEET METAL





Item	Part No.	Name	Qty	Uom	NOTES
1	004464-000	TRIM, IS, ASM, REDESIGN, 30"	1	EA	
Not Shown	NOTE	(BEFORE 01/17/13)		EA	
1	041445-000	TRIM, IS, ASSY, 30"	1	EA	
Not Shown	NOTE	(ON OR AFTER 01/17/13)		EA	
2	019160-000	BACK COLLAR, 30"	1	EA	
3	032123-000	CABINET, BACK	1	EA	
4	007484-000	TERMINAL, BLOCK, BRACKET	1	EA	
5	007400-000	BLOCK, TERMINAL	1	EA	
6	PD020010	10 X 3/8 GREEN GROUNDING SCREW	1	EA	
7	031961-000	COVER, TERM. BLOCK	1	EA	
8	PD040005	SNAP BUSHING - 7/8"	1	EA	
NI	023263-000	TOGGLE BOLT (3/16" X 2")	1	EA	

SURFACE COOKING AREA

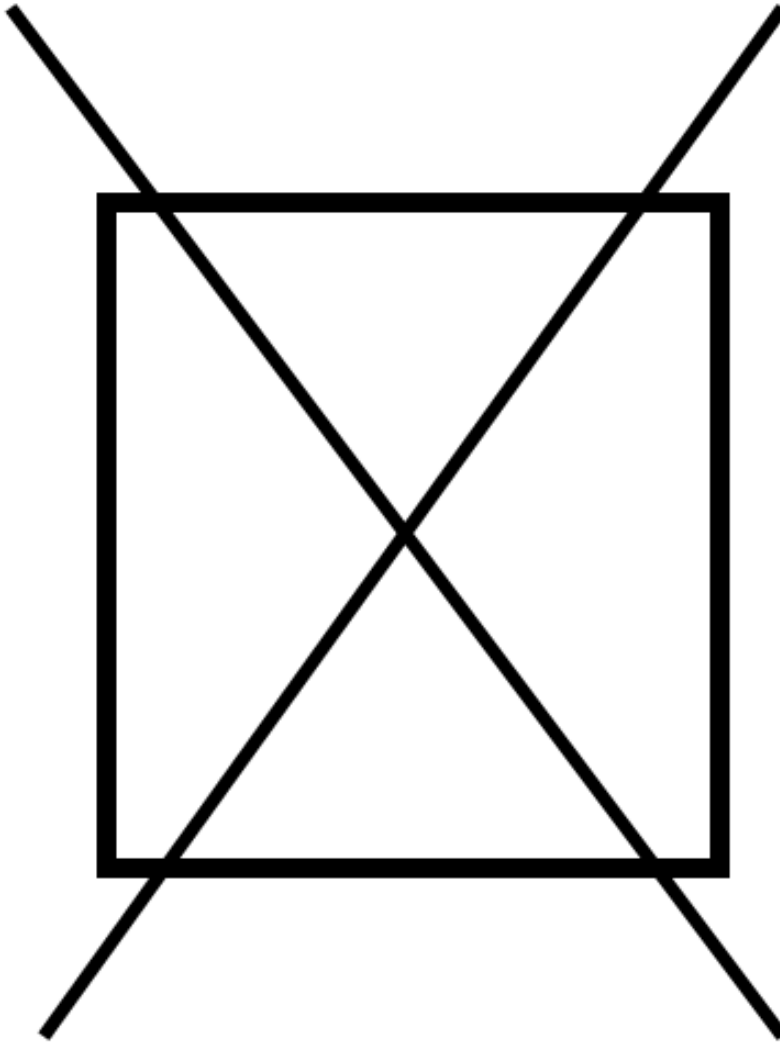






Item	Part No.	Name	Qty	Uom	NOTES
1	PA060037	GRATE BK REPL PA060024 (GEN.#2)	4	EA	
2	PA060049	CENTER GRATE - MATT BK	2	EA	
3	PA030002BK	BURNER BOWL (VGRT) **BK**	4	EA	
4	PA080015	BURNER CAP-VGRT *BK*	4	EA	
5	E9104416BK	CENTER SPACER (VGSC306) *BK*	1	EA	
6	E9101115BK	GRATE SUPT *BK* (VGRT)	2	EA	
7	015496-000	TRIM, SIDE RH	1	EA	
8	PD020033	SRW-#10-24X1/2"T(23)PH.WFR HD (NKL)	4	EA	
9	PD010017	BALL STUD (VGRT)	6	EA	
10	PD030012	6-32 HEX NUT	6	EA	
11	015497-000	TRIM, SIDE LH	1	EA	

NON  
ILLUSTRATED PART



Item	Part No.	Name	Qty	Uom	NOTES
NI	023040-000	HARNESS, CNVN, SWITCH, ASM	1	EA	
NI	026120-000	HARNESS, WIRE, VGIC5304B	1	EA	
Not Shown	NOTE	(BEFORE 06/13/13)		EA	
NI	040202-000	HARNESS, W, VGIC5304B	1	EA	
Not Shown	NOTE	(ON OR AFTER 06/13/13)		EA	
NI	017735-000	HARNESS, CONTROL BK/BR	1	EA	
NI	007378-000	LIGHT SWITCH HARNESS	1	EA	
NI	006766-000	IRIS IGNITOR WIRE, BACK BURNER	1	EA	
NI	000647-000	IRIS IGNITOR WIRE, FRONT BURNER	1	EA	
NI	051439-000	VGIC530-4B SPILL GUTTER KIT FOR TC-0098-SP BULLETIN	1	EA	
NI	PE070889	IRIS HARNESS (24"/30")	1	EA	
NI	001911-000	WIRE, ASSY, BAKE IGNITOR	1	EA	
Not Shown	NOTE	(BEFORE 06/02/10)		EA	
NI	007298-000	BAKE IGNITOR WIRE, ASM	1	EA	
Not Shown	NOTE	(FROM 06/02/10 THRU 01/10/11)		EA	
NI	024606-000	WIRE, BAKE, ELECTRODE, ASM	1	EA	
Not Shown	NOTE	(ON OR AFTER 01/10/11)		EA	
NI	001914-000	WIRE, ASSY, BROIL IGNITOR	1	EA	
Not Shown	NOTE	(BEFORE 06/02/10)		EA	
NI	006765-000	BROIL IGNITOR WIRE ASM	1	EA	
Not Shown	NOTE	(FROM 06/02/10 THRU 01/10/11)		EA	
NI	024605-000	WIRE, BRL, ELECTRODE, ASM	3	EA	
Not Shown	NOTE	(ON OR AFTER 01/10/11)		EA	
NI	023750-000	CORD, SUPPLY	1	EA	

Comments for Page: WIRING



bradleysapplianceservice@shaw.ca on Dec 3, 2015  
023750-000 POWER SUPPLY CORD 120VAC - VGCC/VGIC



Appendix A:Pages Index

BURNER BOX AREA ..... 1  
CONTROL AREA ..... 2  
DOOR ASSEMBLY ..... 3  
LOWER UNIT AND SIDE PANELS ..... 4  
OVEN CAVITY ..... 5  
REAR SHEET METAL ..... 6  
SURFACE COOKING AREA ..... 7  
WIRING ..... 8



## Appendix B:Parts Index

000042-000	3	006468-100	3
000594-000	3	006553-000	3
000647-000	8	006765-000	8
001142-000	3	006766-000	8
001911-000	8	007147-000	2
001914-000	8	007278-000	5
002560-000	3	007298-000	8
002728-000	3	007361-002	4
002740-000	3	007361-003	4
003011-000	3	007361-004	4
003011-100	3	007361-005	4
003012-000	3	007361-006	4
003012-100	3	007361-008	4
003056-000	4	007361-009	4
003481-000	1	007361-010	4
003719-000	2	007361-012	4
003801-000	4	007361-013	4
004464-000	6	007361-015	4
004479-000	4	007361-016	4
004482-000	4	007361-017	4
004684-000	3	007361-018	4
004685-000	3	007361-019	4
004688-000	3	007361-020	4
004691-000	3	007361-021	4
004907-000	3	007361-022	4
005047-000	5	007361-023	4
005102-000	5	007361-024	4
005269-000	2	007361-025	4
005311-000	5	007361-026	4
005329-000	5	007361-027	4
005330-000	5	007364-002	3
005373-000	5	007364-003	3
005475-000	3	007364-004	3
005529-000	5	007364-005	3
005536-000	5	007364-006	3
006192-000	5	007364-008	3
006198-000	4	007364-009	3
006199-000	4	007364-010	3
006355-000	2	007364-012	3
006468-000	3	007364-013	3
		007364-015	3



007364-016	3	009112-000	1
007364-017	3	013213-000	2
007364-018	3	013386-000	2
007364-019	3	014143-000	4
007364-020	3	015485-000	1
007364-021	3	015486-000	1
007364-022	3	015493-000	1
007364-023	3	015496-000	7
007364-024	3	015497-000	7
007364-025	3	015500-000	1
007364-026	3	015501-000	1
007364-027	3	015504-000	1
007364-102	3	015505-000	1
007364-103	3	015515-000	1
007364-104	3	015533-000	1
007364-105	3	015535-000	1
007364-106	3	016658-000	1
007364-108	3	016780-000	1
007364-109	3	016973-000	1
007364-110	3	016975-000	1
007364-112	3	016976-000	1
007364-113	3	016977-000	1
007364-115	3	016978-000	2
007364-116	3	016980-000	1
007364-117	3	017735-000	8
007364-118	3	019123-000	4
007364-119	3	019124-000	4
007364-120	3	019160-000	6
007364-121	3	020404-000	5
007364-122	3	021309--009	4
007364-123	3	021309-002	4
007364-124	3	021309-003	4
007364-125	3	021309-004	4
007364-126	3	021309-005	4
007364-127	3	021309-006	4
007378-000	8	021309-008	4
007400-000	6	021309-010	4
007484-000	6	021309-012	4
007583-000	3	021309-013	4
008097-000	3	021309-015	4
008416-000	2	021309-016	4



021309-017	4	023454-003	3
021309-018	4	023454-004	3
021309-019	4	023454-005	3
021309-020	4	023454-006	3
021309-021	4	023454-008	3
021309-022	4	023454-009	3
021309-023	4	023454-010	3
021309-024	4	023454-012	3
021309-025	4	023454-013	3
021309-026	4	023454-015	3
021309-027	4	023454-016	3
021310-002	4	023454-017	3
021310-003	4	023454-018	3
021310-004	4	023454-019	3
021310-005	4	023454-020	3
021310-006	4	023454-021	3
021310-008	4	023454-022	3
021310-009	4	023454-023	3
021310-010	4	023454-024	3
021310-012	4	023454-025	3
021310-013	4	023454-026	3
021310-015	4	023454-027	3
021310-016	4	023651-000	1
021310-017	4	023750-000	8
021310-018	4	024605-000	8
021310-019	4	024606-000	8
021310-020	4	026120-000	8
021310-021	4	030823-000	3
021310-022	4	031251-2255	2
021310-023	4	031679-000	5
021310-024	4	031961-000	6
021310-025	4	032123-000	6
021310-026	4	035881-000	2
021310-027	4	035891-000	2
023005-000	5	035955-000	4
023040-000	8	038426-000	4
023090-000	5	038577-002	4
023263-000	6	038577-003	4
023405-000	2	038577-004	4
023453-000	3	038577-005	4
023454-002	3	038577-006	4





038577-008	4	G9104482	5
038577-009	4	PA020028	1
038577-010	4	PA020056	1
038577-012	4	PA020058	2
038577-013	4	PA030002BK	7
038577-015	4, 4	PA060037	7
038577-017	4, 4, 4	PA060049	7
038577-020	4	PA070003	2
038577-021	4	PA080015	7
038577-022	4	PB010304PVD	2
038577-023	4	PB040027	5
038577-024	4	PB040035	5
038577-025	4	PB040040	5
038577-026	4	PB040071	5
038577-027	4	PB040170	5
040202-000	8	PB040171	5
040736-000	5	PB060030	5
040863-000	5	PB060044	5
041445-000	6	PB070079	1
043663-000	1	PD010012	2
044178-000	4	PD010017	7
049718-402	5	PD020004	1
050172-000	2	PD020010	1, 6
051439-000	8	PD020032	5
066203-000	5	PD020033	1, 3, 7
066225-402	5	PD020043	1
A1002596	5	PD020046	2
A2001361	5	PD020048	4
A20014089	1	PD020061	5
A2002189	3	PD020063	1
A2002595	5	PD020067	1
A2004428	5	PD020073	3
A2004429	4	PD020232	5
A2008467	5	PD020269	2
B2001448	5	PD030006	3
B2005589	5	PD030010	3
E9101115BK	7	PD030012	7
E91012614	5	PD030018	5
E9104416BK	7	PD040004	1
G3001876	5	PD040005	1, 4, 6
G4002752	1	PE010016	3



PE010079 .....	3
PE050023 .....	2
PE050024 .....	2
PE050057 .....	5
PE050206 .....	5
PE060030 .....	3
PE060031 .....	3
PE060039 .....	3
PE070889 .....	8
PJ030039 .....	1
PK000007 .....	1
PK000008 .....	1
PK000009 .....	1
PK000010 .....	1