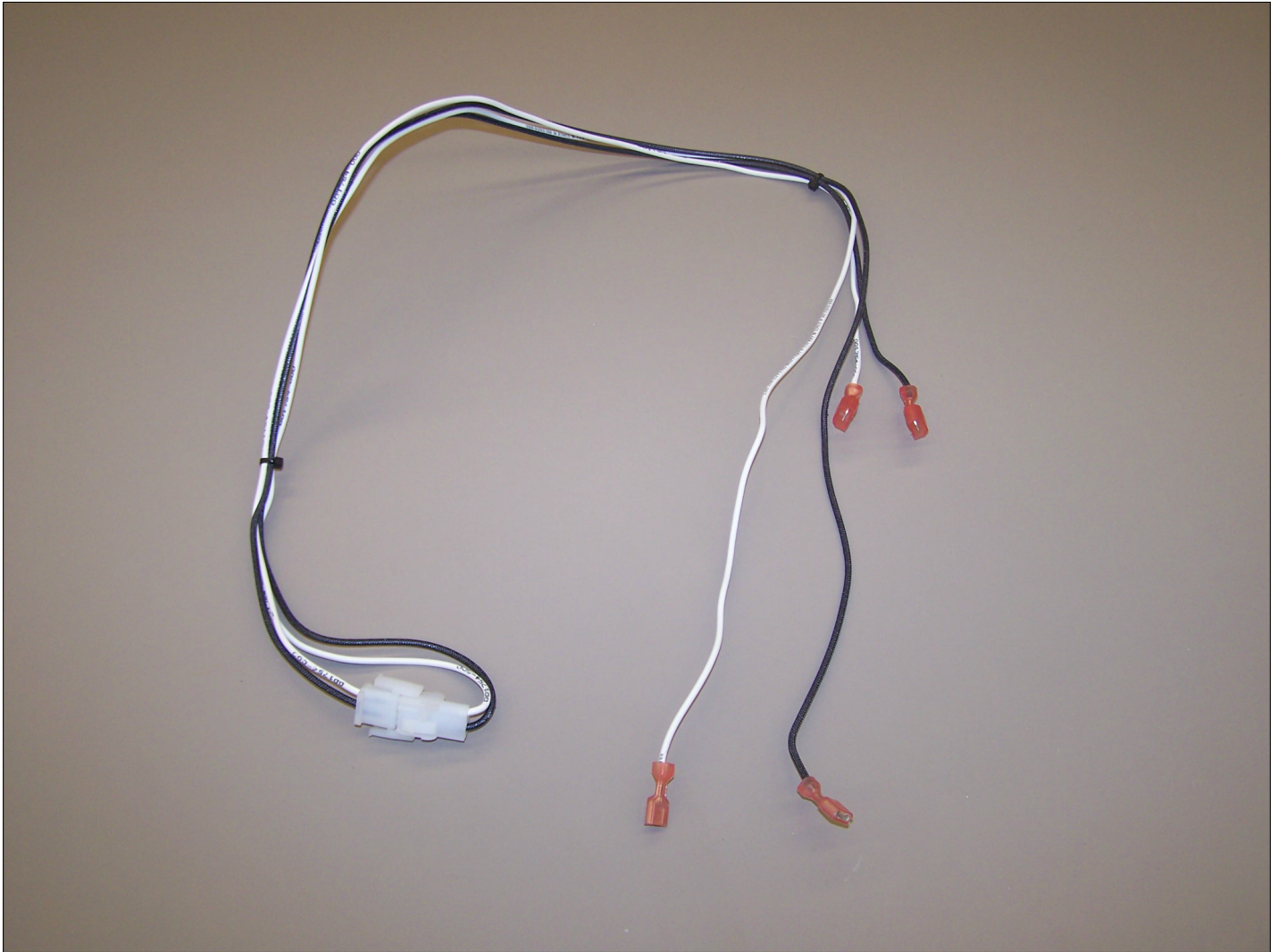


VGIC488-6G

001754-000 POWER DISCONNECT HAR	1
001914-000 BROIL IGNITOR WIRE	2
BAKE IGNITER WIRE	3
BROILER AREA	4
BURNER BOX INTERIOR	5
CONTROL AREA	6
DRIP TRAY	7
G4008493 SUPPLY CORD	8
GRIDDLE SUBASSEMBLY	9
LH BAKE BURNER AREA	10
LH DOOR ASSEMBLY	11
LH OVEN MAIN CAVITY	12
LIGHT EXT. HARNESS	13
LOWER UNIT AND SIDE PANELS	14
REAR ELECTRONICS AND GAS FLOW	15
REAR SHEET METAL	16
RH BAKE BURNER AREA	17
RH DOOR ASSEMBLY	18
RH OVEN MAIN CAVITY	19
SURFACE COOKING AREA	20
TOP BURNER IGNITER WIRES	21
WIRING DIAGRAM	22
WIRING HARNESS	23
PE070891 Iris Harness	24
Appendix A:Pages Index	A
Appendix B:Parts Index	B

001754-000 POWER DISCONNECT HAR

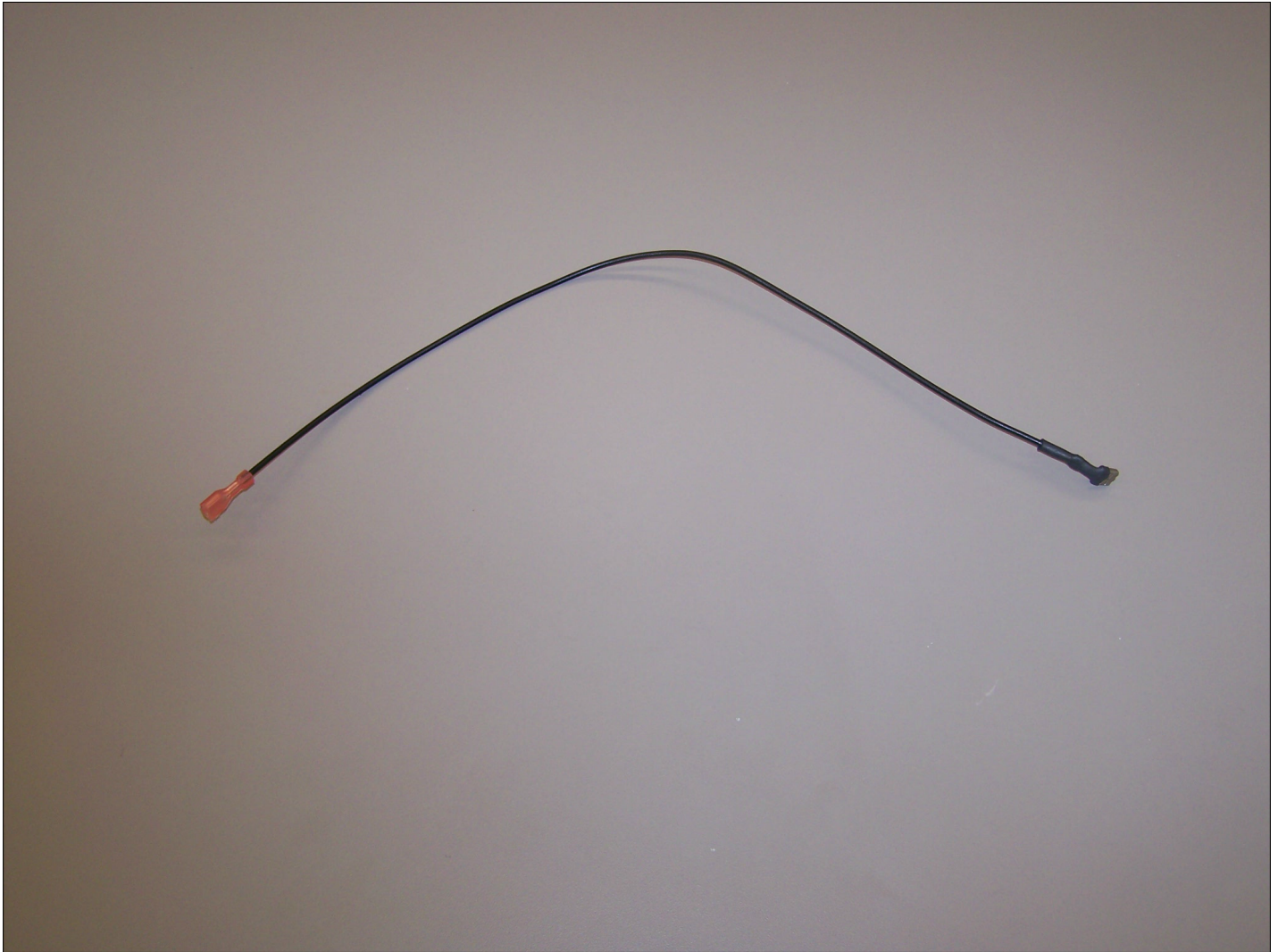




Item	Part No.	Name	Qty	Uom	NOTES
1	001754-000	HARNESS POWER DISCONNECT	1	EA	



001914-000 BROIL IGNITOR WIRE

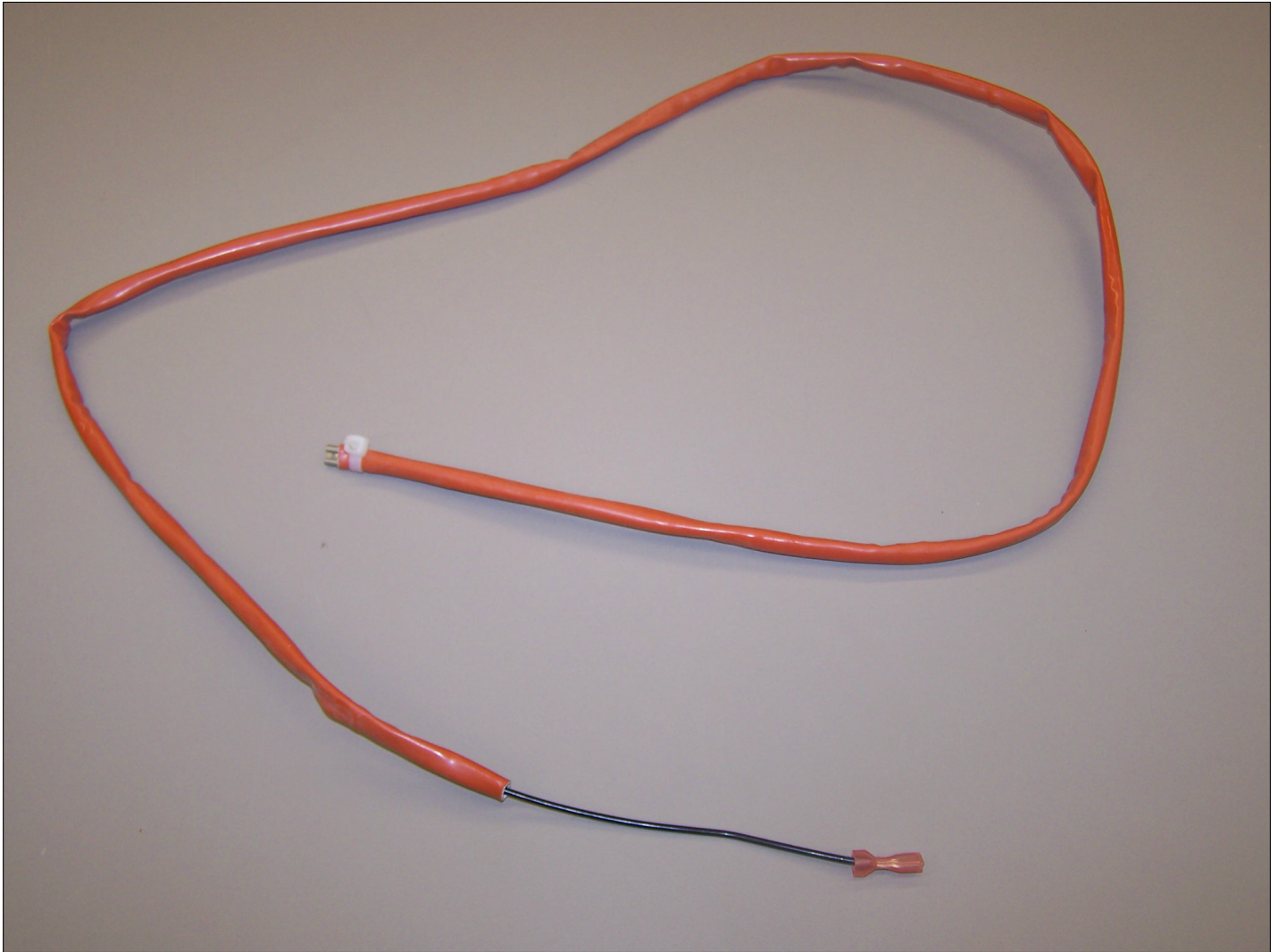




Item	Part No.	Name	Qty	Uom	NOTES
1	001914-000	WIRE, ASSY, BROIL IGNITOR	1	EA	



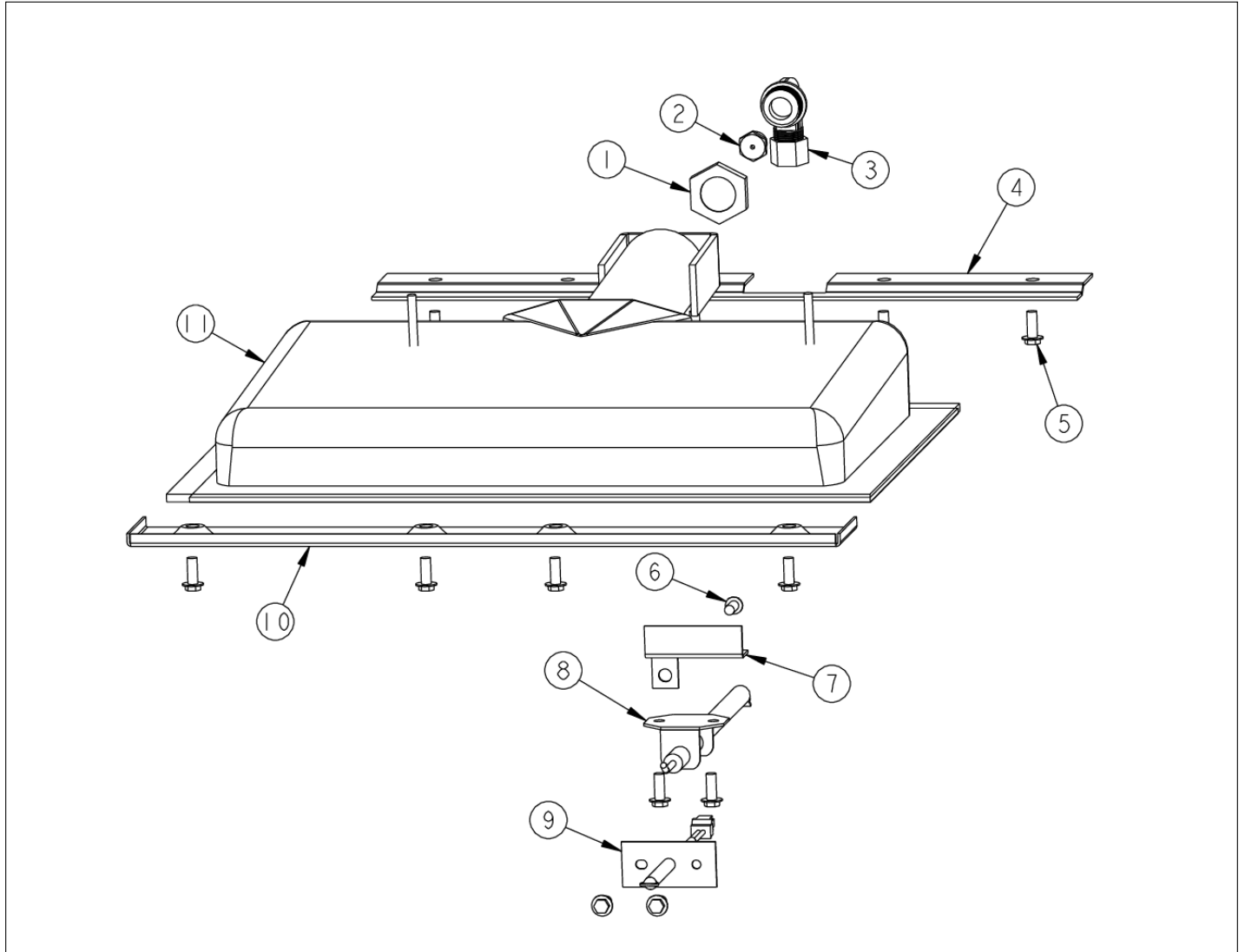
BAKE IGNITER WIRE





Item	Part No.	Name	Qty	Uom	NOTES
1	003143-000	BAKE IGNITOR WIRE 36"	1	EA	

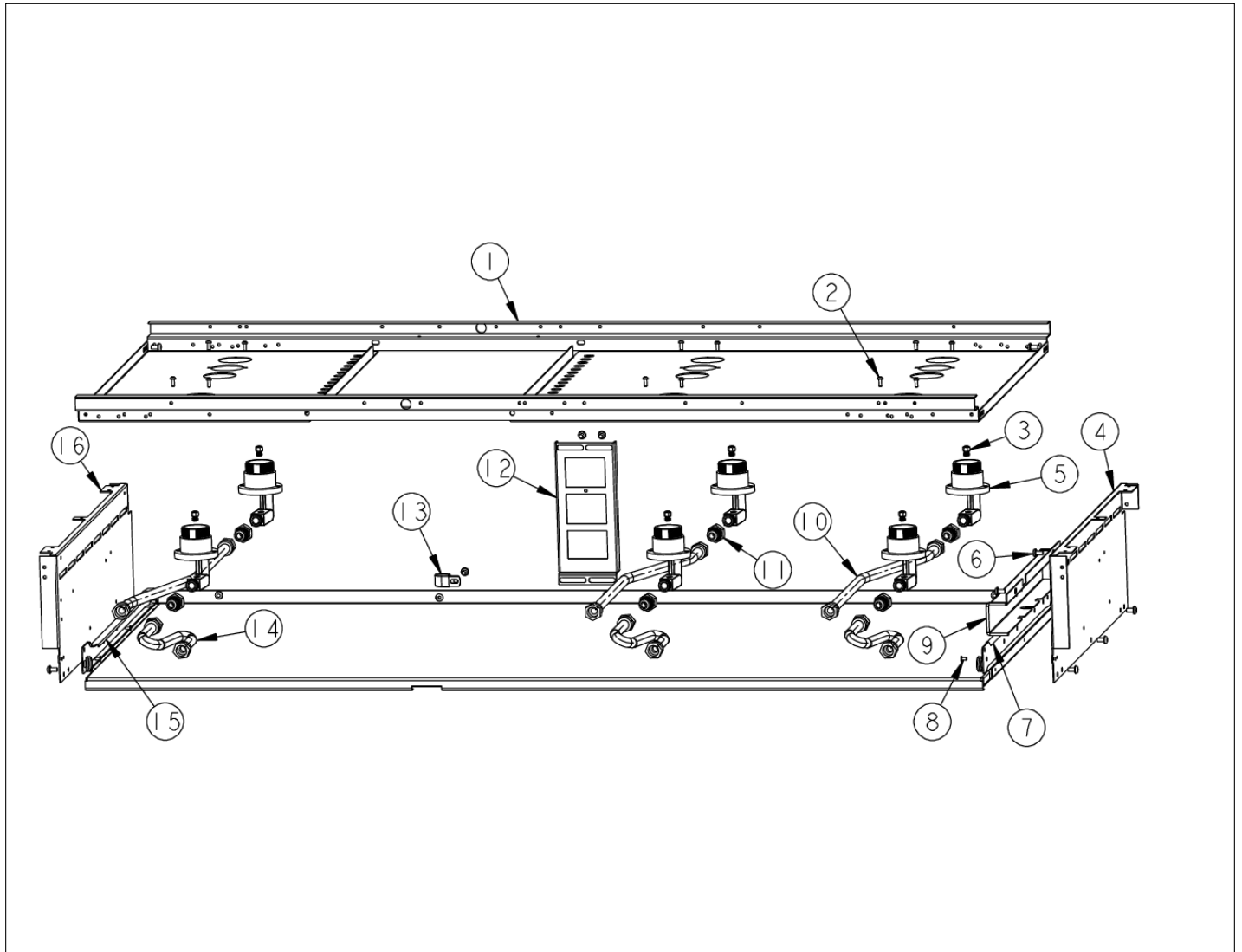
BROILER AREA





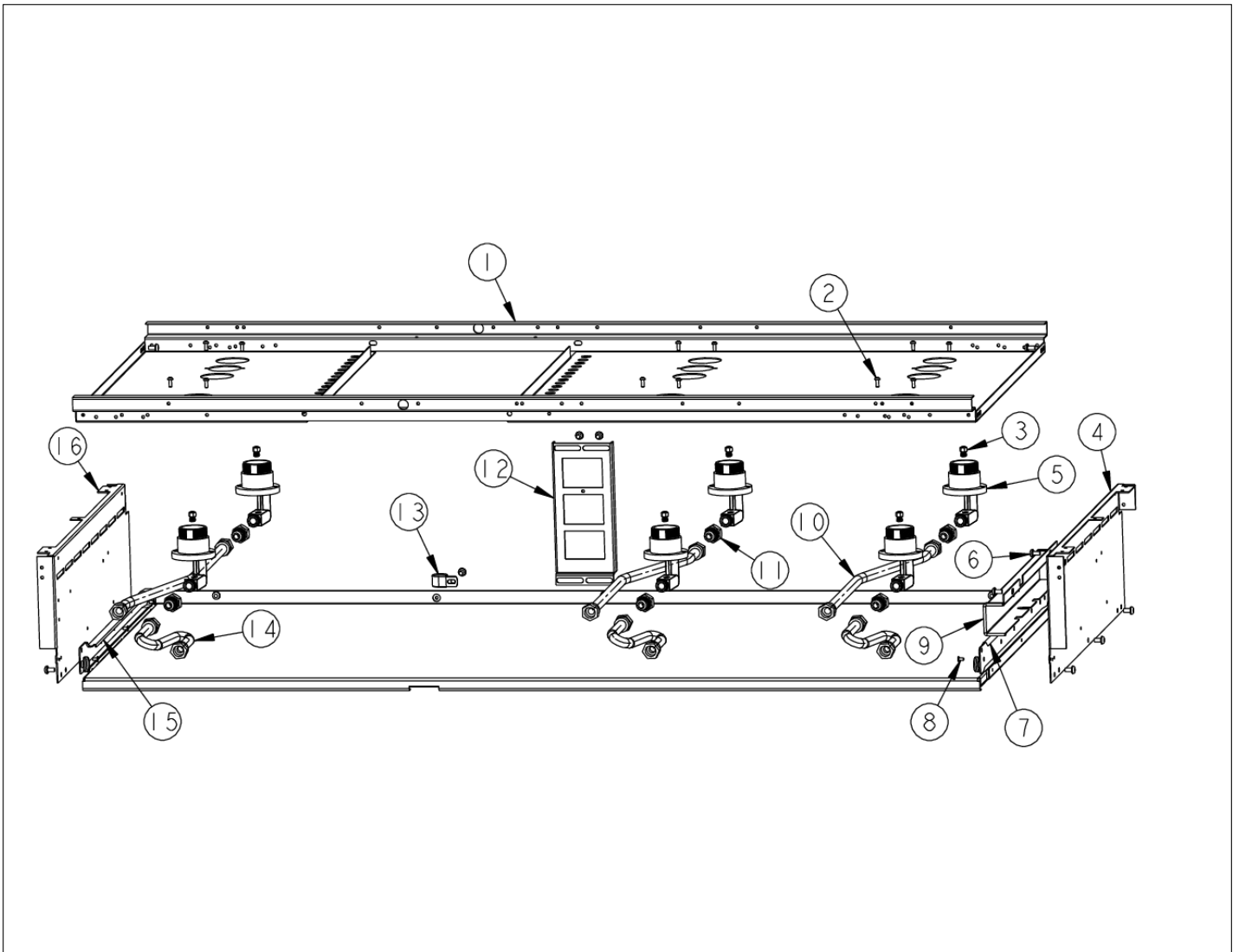
Item	Part No.	Name	Qty	Uom	NOTES
1	PD030018	PALNUT - 3/4-16	1	EA	
2	PB040040	ORIFICE-IR BURNER (VGSC)	1	EA	
Not Shown	PB040027	IR BUR.SPUD ORF. - #56 LP	1	EA	
3	PB040178	90 DEGREE ORIFICE FITTING (VGSC306)	1	EA	
4	B2005589	REAR BROILER BRACKET	1	EA	Not available online / Call for pricing and availability
5	PD020048	NO.10 X 1/2 TEK 410 SS SCREW	1	EA	
6	PD020060	10 X 1/2" (5/16)HEX WSHER HD.(T)A	1	EA	
7	001348-000	BROIL INSULATION RETAINER	1	EA	NO LONGER AVAILABLE
8	PB040171	BROIL IGNITION ELECTRODE	1	EA	
9	PE050206	RTD THERMOSTAT PROBE	1	EA	
10	B2001448	IR BROIL SUPT (FRONT)	1	EA	
11	G3001876	IR BURNER ASSY (VGSC/RC) N/S	1	EA	

BURNER BOX INTERIOR





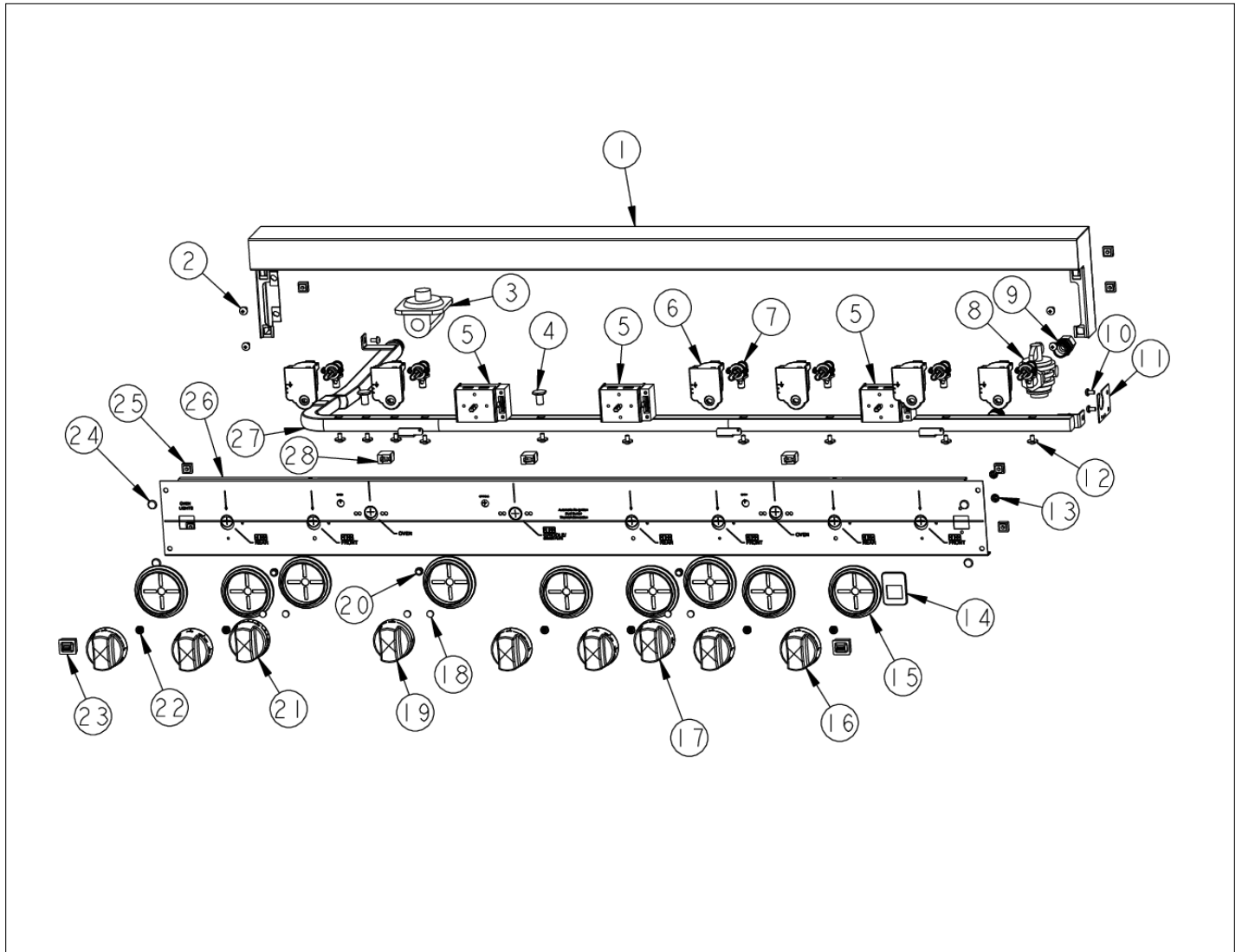
Item	Part No.	Name	Qty	Uom	NOTES
1	A20011234	BURNER BOX SUPPORT	1	EA	Not available online / Call for pricing and availability
2	PD020076	6-32 X 3/8" PHILL PAN MS	1	EA	
3	PB040194	Orifice - Nat.	1	EA	
Not Shown	NOTE	(Before 12/18/07)		EA	
Not Shown	001396-000	NATURAL GAS ORIFICE	1	EA	
Not Shown	NOTE	(After 12/18/07)		EA	
Not Shown	PB040217	L.P. ORIFICE	1	EA	
Not Shown	NOTE	(Before 12/18/07)		EA	
Not Shown	005990-000	1.10 MM LP BTU ORIFICE	1	EA	
Not Shown	NOTE	(After 12/18/07)		EA	
4	002888-000	BURNER BOX SIDE-RH	1	EA	NO LONGER AVAILABLE, Not available online / Call for pricing and availability
5	PA080075	Burner Body	1	EA	
Not Shown	NOTE	(Before 12/18/07)		EA	
Not Shown	001394-042	15000 BTU NAT JETHOLDER	1	EA	
Not Shown	NOTE	(After 12/18/07)		EA	
Not Shown	001394-043	13500 BTU LP JETHOLDER	1	EA	
Not Shown	NOTE	(After 12/18/07)		EA	
6	PD020004	10X3/8PH.HD.TYPE 25 REPL PD040125	1	EA	
7	PK000008	Drip Tray Guide - RH	1	EA	NO LONGER AVAILABLE
8	PC040010	POP RIVET (.063/GR -.125) GAMD42-A	1	EA	



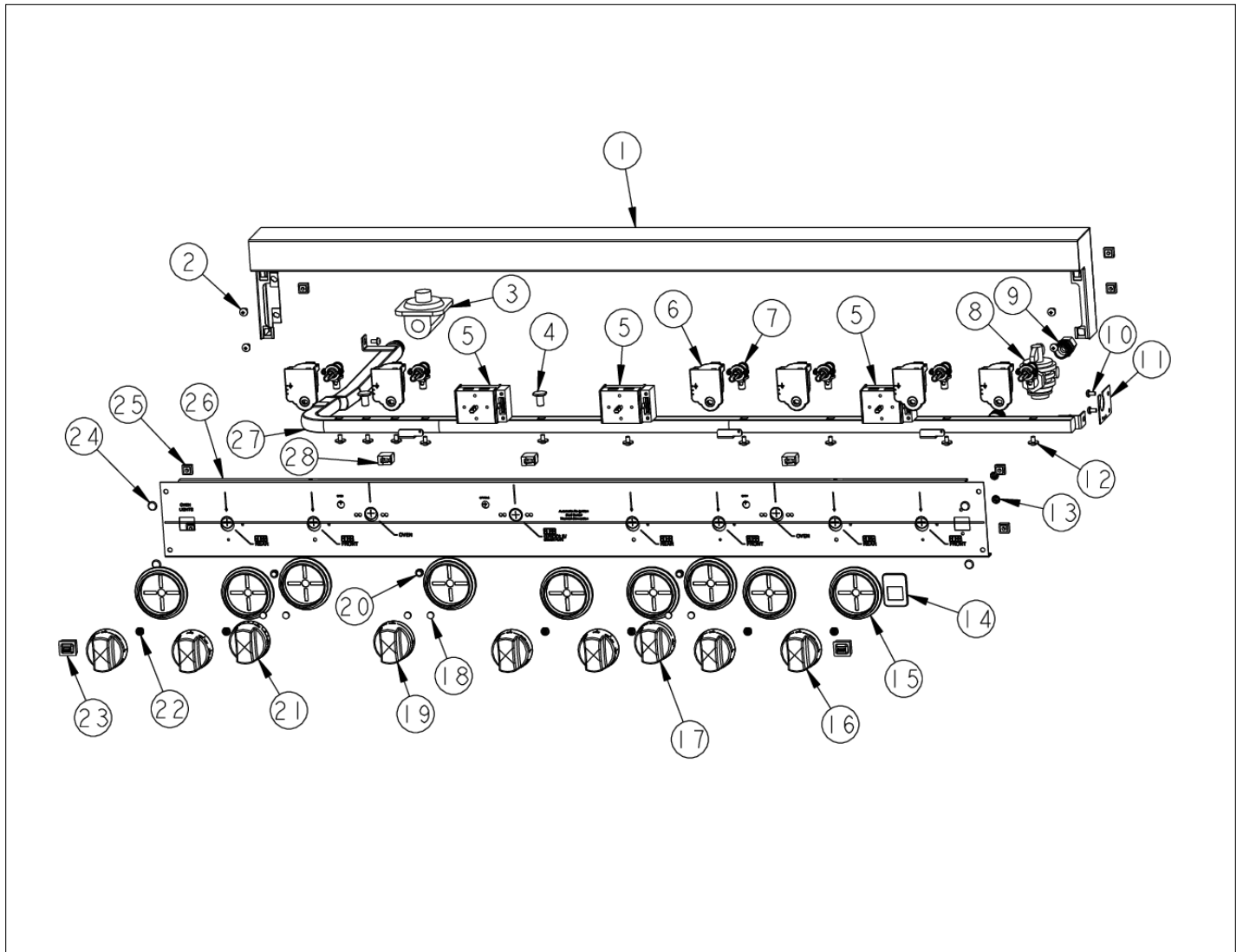


Item	Part No.	Name	Qty	Uom	NOTES
9	A2000210	WIRE CHANNEL	1	EA	NO LONGER AVAILABLE, Not available online / Call for pricing and availability
10	PB020193	16" FLEX TUBING W/CONNECTORS	1	EA	
11	PA050086	5/8" MALE FLARE FITTING	1	EA	Not available online / Call for pricing and availability
12	A20013319	SUPPORT BRACKET	1	EA	NO LONGER AVAILABLE
13	PD030119	INSULATED CLAMP	1	EA	NO LONGER AVAILABLE, Not available online / Call for pricing and availability
14	PB020192	10" FLEX TUBING W/CONNECTORS	1	EA	
15	PK000007	DRIP TRAY GUIDE - LH (VGRT)	1	EA	NO LONGER AVAILABLE
16	002889-000	BURNER BOX SIDE-LH	1	EA	NO LONGER AVAILABLE, Not available online / Call for pricing and availability

CONTROL AREA



Item	Part No.	Name	Qty	Uom	NOTES
1	G3001584	LANDING LGD 48"	1	EA	
2	PD010003	10-24 X 1/2 PH.TR.HD.SERD.M.S.	1	EA	
3	PA070003	PRESSURE REGULATOR	1	EA	
4	002884-000	MANIFOLD PLUG	1	EA	
5	013213-000	TSTAT, SMPS, ELEC, 2-POS, .91" SHAFT, CB	1	EA	
6	PA020058	IRIS SINGLE SPARK MODULE	1	EA	
7	PB030006	SHUT-OFF VALVE (VGSO166)	1	EA	
8	003517-000	PA010158 VALVE AND BOLT KIT	1	EA	
8	000633-000	TOP BURNER VALVE - LP	1	EA	
9	000845-000	1/2" COMP TO 1/2" MALE NPT ADAPTER	1	EA	
10	PD020004	10X3/8PH.HD.TYPE 25 REPL PD040125	1	EA	
11	A1001138	MANIFOLD BRKT	1	EA	NO LONGER AVAILABLE, Not available online / Call for pricing and availability
12	PD010012	1/4 x 3/8 VALVE BOLT	1	EA	
13	PD030006	CAPPED WASHER PAL NUT	1	EA	
14	PE010081	CONVECTION-LABEL/PLATE (CHROME)	1	EA	
Not Shown	PE010082	CONVECTION-LABEL/PLATE (*BR*)	1	EA	
15	050172-000	BEZEL, KNOB	1	EA	
Not Shown	PB010209	Bezel - BR	1	EA	
16	PB010206	TOP BURNER KNOB BK	1	EA	
Not Shown	PB010207	TOP BURNER KNOB WH	1	EA	Not available online / Call for pricing and availability
17	000447-000	THERMOSTAT KNOB SELF- CLEAN (BK)	1	EA	
Not Shown	000447-006	OVEN KNOB WITH BROIL(WH)	1	EA	
18	PD020046	' #8 X 1/2 SCREWS	1	EA	
19	000448-000	GRIDDLE KNOB *BK*	1	EA	





Item	Part No.	Name	Qty	Uom	NOTES
Not Shown	000448-006	GRIDDLE KNOB (WH) - NLA	1	EA	NO LONGER AVAILABLE
20	PE050023	OVEN IND. LIGHT (LENS & BEZEL)	1	EA	
21	000381-000	OVEN KNOB W/O BROIL	1	EA	
Not Shown	000381-006	OVEN KNOB W/O BROIL (WH) - NLA	1	EA	NO LONGER AVAILABLE
22	PD020044	#8-32 X 1/4" PH. TR. HD. M.S.	1	EA	
23	PE050016	OVEN LIGHT SWITCH - *BK* (WES-GAR)	1	EA	
24	PD020033	SRW-#10-24X1/2"T(23)PH.WFR HD (NKL)	1	EA	
25	PD030029	SELF RETAINING NUT (1/4-20)	1	EA	
26	B9202374	CTRL PAN- (VGRC485-6G)*SLK SCR*	1	EA	
27	000930-000	48" MANIFOLD - NLA	1	EA	
28	PE050024	OVEN IND. LIGHT (LIGHT HOUSING)	1	EA	

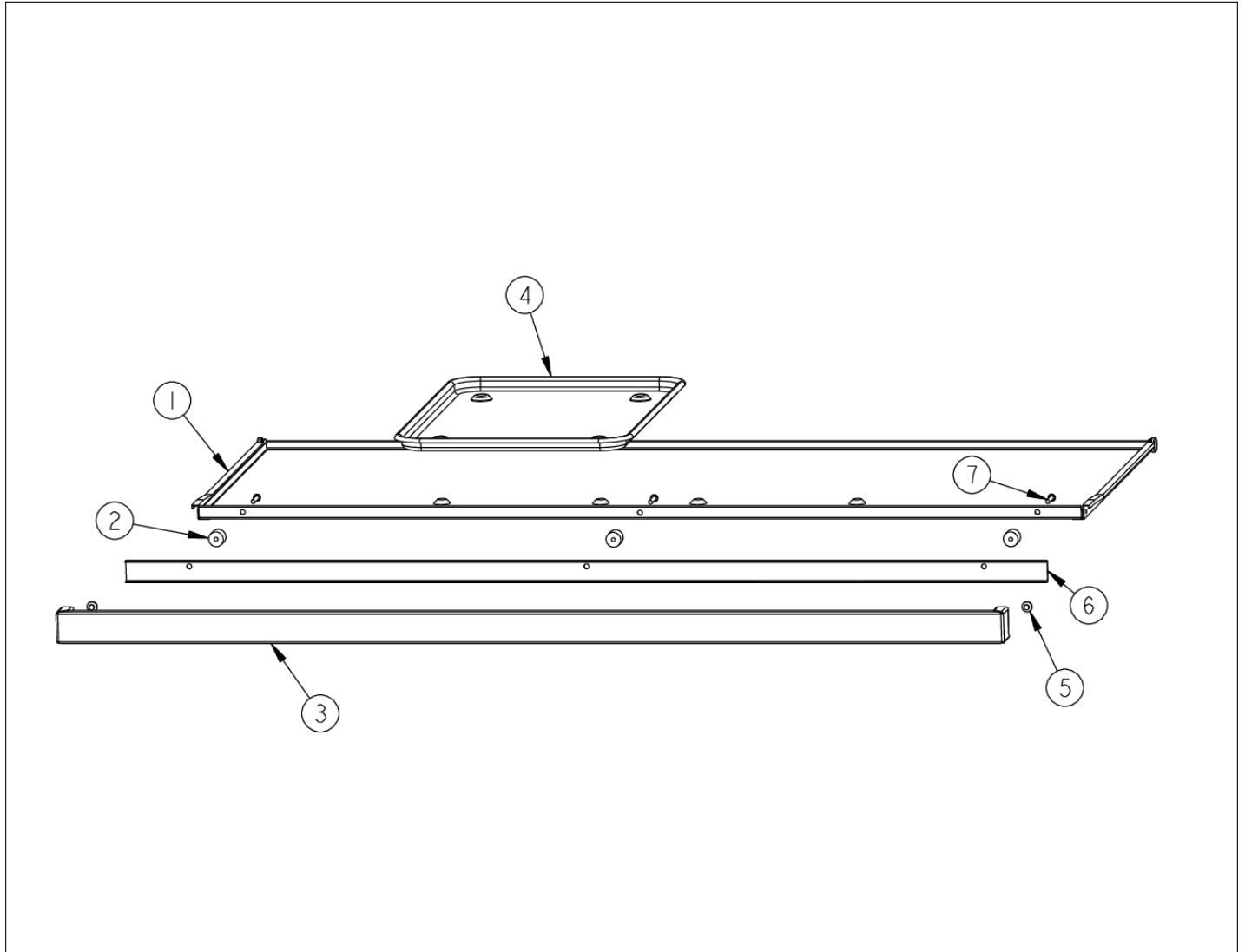
Comments for Part Num. PE050024

haarnink@vikingrange.com on Jan 14, 2019

please note that the indicator light is now part 043135-000 but needs the Jumper harness 051443-000. and second option there are units in the field with a 230V indicator light part number 036566-000.

please check this for all "E" module ranges/Tops

DRIP TRAY



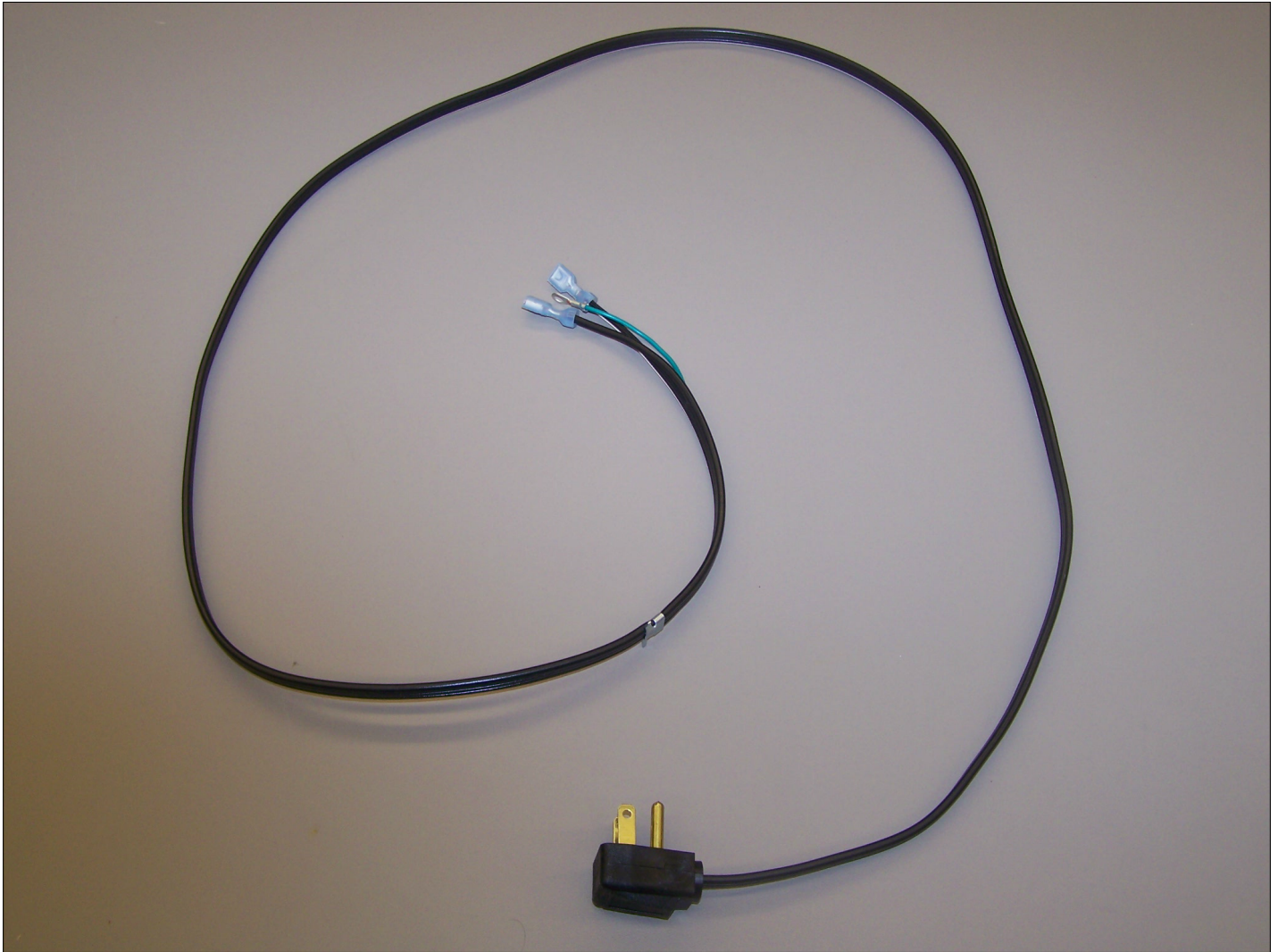


Item	Part No.	Name	Qty	Uom	NOTES
1	G30013336	48" DRIP TRAY ASSY. 6Q &4GQ - NLA	1	EA	
2	PD040028	BUSHING(.194ID/.750OD/.750L ONG)	1	EA	
3	G30010697	DRIP TRAY HANDLE ASSY 48"	1	EA	
Not Shown	G93011461PVD	DRIP TRAY HANDLE ASSY 48" PVD - NLA	1	EA	
4	J2101749	GREASE PAN	1	EA	
5	PD040004	GROMMET BUMPER	1	EA	
6	A20010693	DRIP TRAY HANDLE BACK 48	1	EA	
7	PD020079	#10 X 1 1/4 PH. PAN HD. T(A) NYLOK	1	EA	



VGIC488-6G

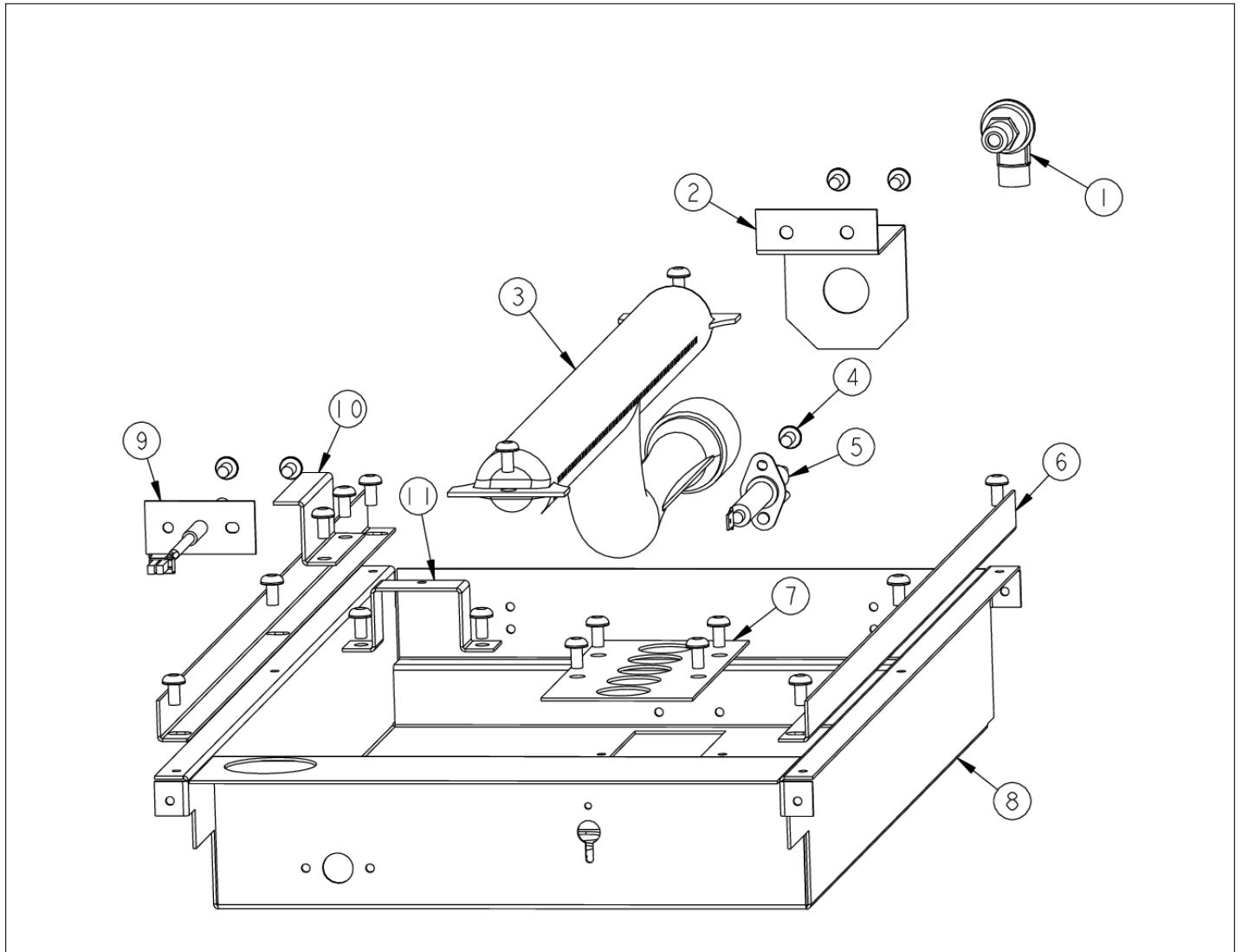
G4008493 SUPPLY CORD





Item	Part No.	Name	Qty	Uom	NOTES
1	G4008493	SUPPLY CORD ASSY- VGSU	1	EA	

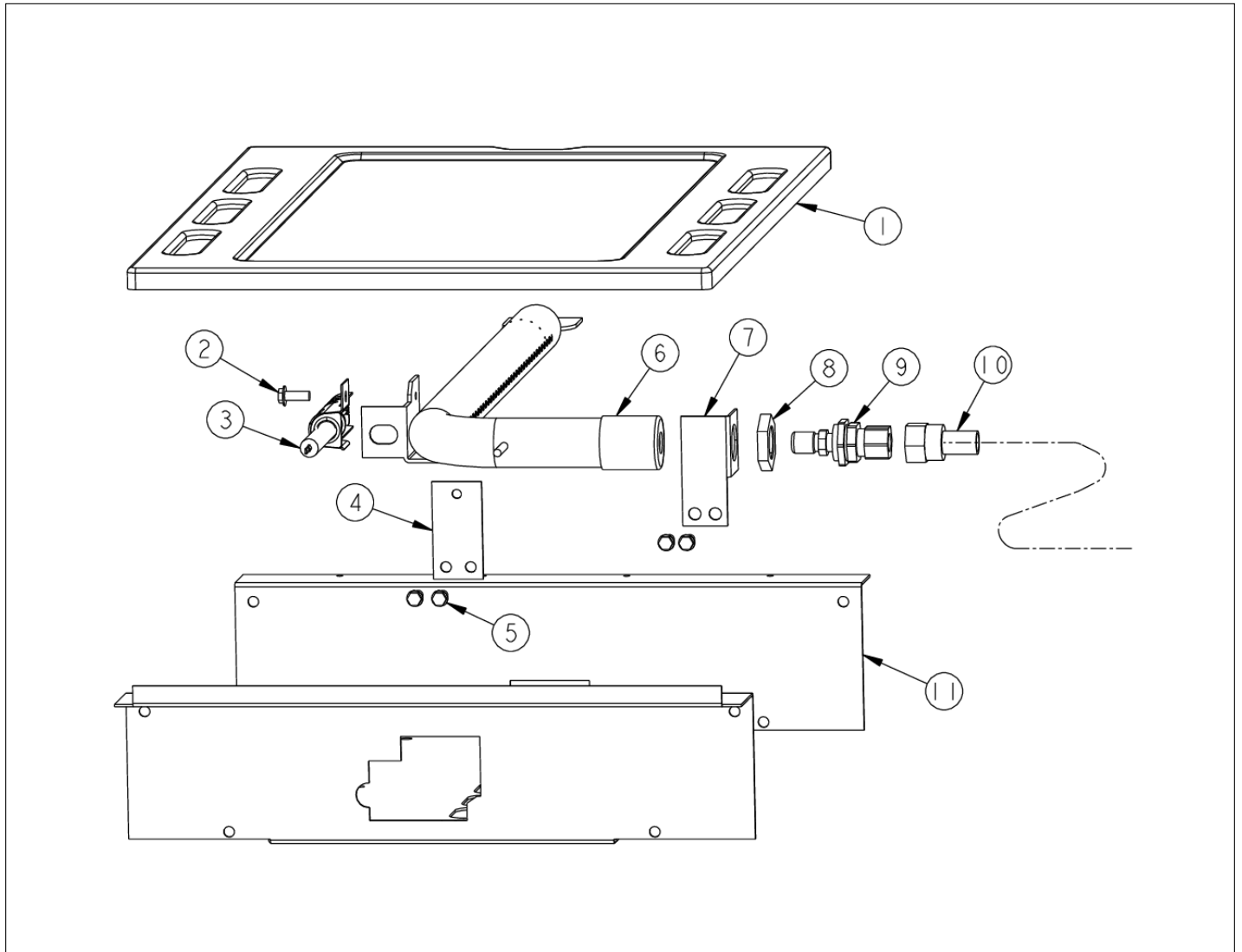
GRIDDLE SUBASSEMBLY





Item	Part No.	Name	Qty	Uom	NOTES
1	PB040190	90 DEGREE ORIFICE FITTING #50 NAT	1	EA	
Not Shown	002513-000	90 DEGREE ORIFICE FITTING #57 LP	1	EA	
2	000958-000	GRIDDLE ELBOW HOLDER	1	EA	NO LONGER AVAILABLE, Not available online / Call for pricing and availability
3	PDB050074	GRIDDLE/GRILL BURNER	1	EA	Not available online / Call for pricing and availability
4	PD020004	10X3/8PH.HD.TYPE 25 REPL PD040125	1	EA	
5	008091-000	PB040288 IGNITOR KIT	1	EA	
6	A20010657	GRIDDLE BOX FLANGE	1	EA	
7	A1007861	Griddle Venturi Cover	1	EA	Not available online / Call for pricing and availability
8	00972-000	GRIDDLE BOX	1	EA	Not available online / Call for pricing and availability
9	PE050206	RTD THERMOSTAT PROBE	1	EA	
10	000971-000	RTD GRIDDLE SHIELD - NLA	1	EA	NO LONGER AVAILABLE
11	000970-000	GRIDDLE MTG BRKT	1	EA	NO LONGER AVAILABLE, Not available online / Call for pricing and availability

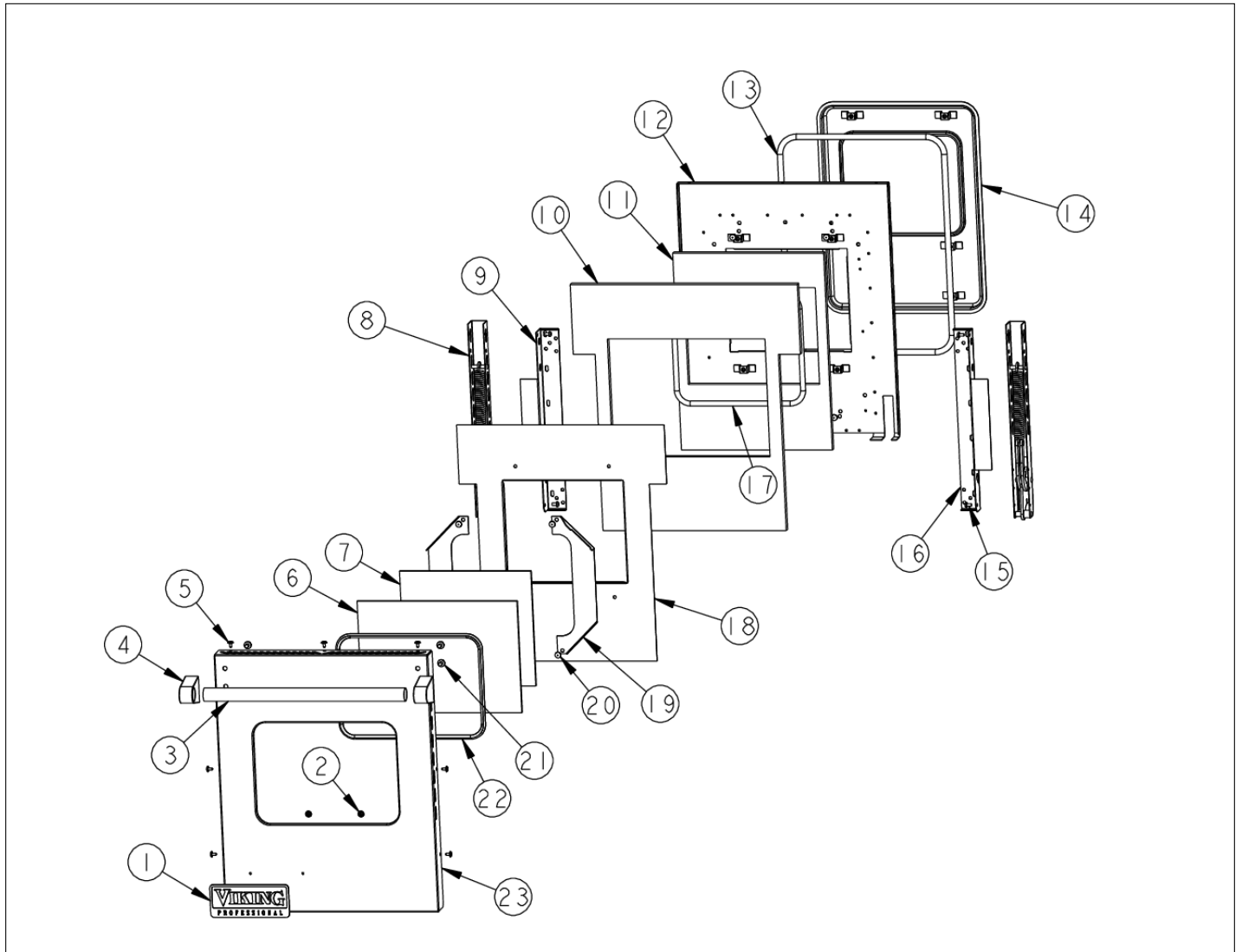
LH BAKE BURNER AREA





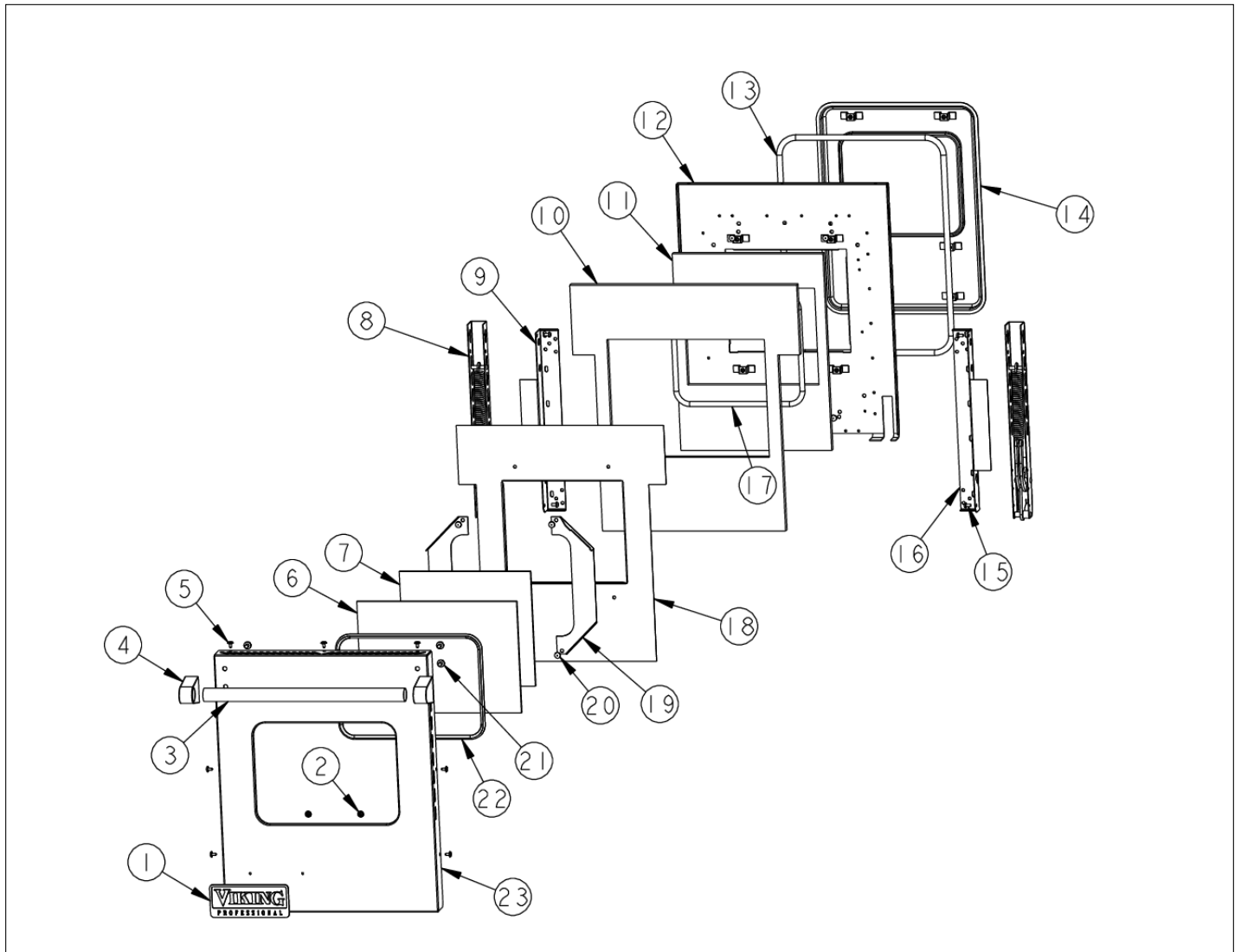
Item	Part No.	Name	Qty	Uom	NOTES
1	068457-000	ASM, BOTTOM, CAVITY OVEN GAS 18" GRAY		EA	
Not Shown	NOTE	(INCLUDES HEAT SHIELD)		EA	
2	PD020048	NO.10 X 1/2 TEK 410 SS SCREW		EA	
3	PB040273	BAKE IGNITION ELECTRODE		EA	
4	A1005571	BURNER MOUNTING BRACKET		EA	NO LONGER AVAILABLE
5	PD020060	10 X 1/2" (5/16)HEX WSHR HD.(T)A		EA	
6	PB050080	VGSC486 LH OVEN BURNER		EA	
Not Shown	000642-000	VGSC486 LH OVEN BURNER - LP		EA	
7	A2005579	ORIFICE BRACKET 48LH		EA	NO LONGER AVAILABLE, Not available online / Call for pricing and availability
8	PD030018	PALNUT - 3/4-16		EA	
9	PB040229	BULKHEAD FITTING (VGSC486LH)		EA	
Not Shown	PB040062	ORIFICE HOOD-#56		EA	
10	PB020136	44" 3/8 S.S. FLEX TUBING T6-44		EA	
11	A20010139	48" LH CAVITY BOTTOM		EA	NO LONGER AVAILABLE, Not available online / Call for pricing and availability

LH DOOR ASSEMBLY

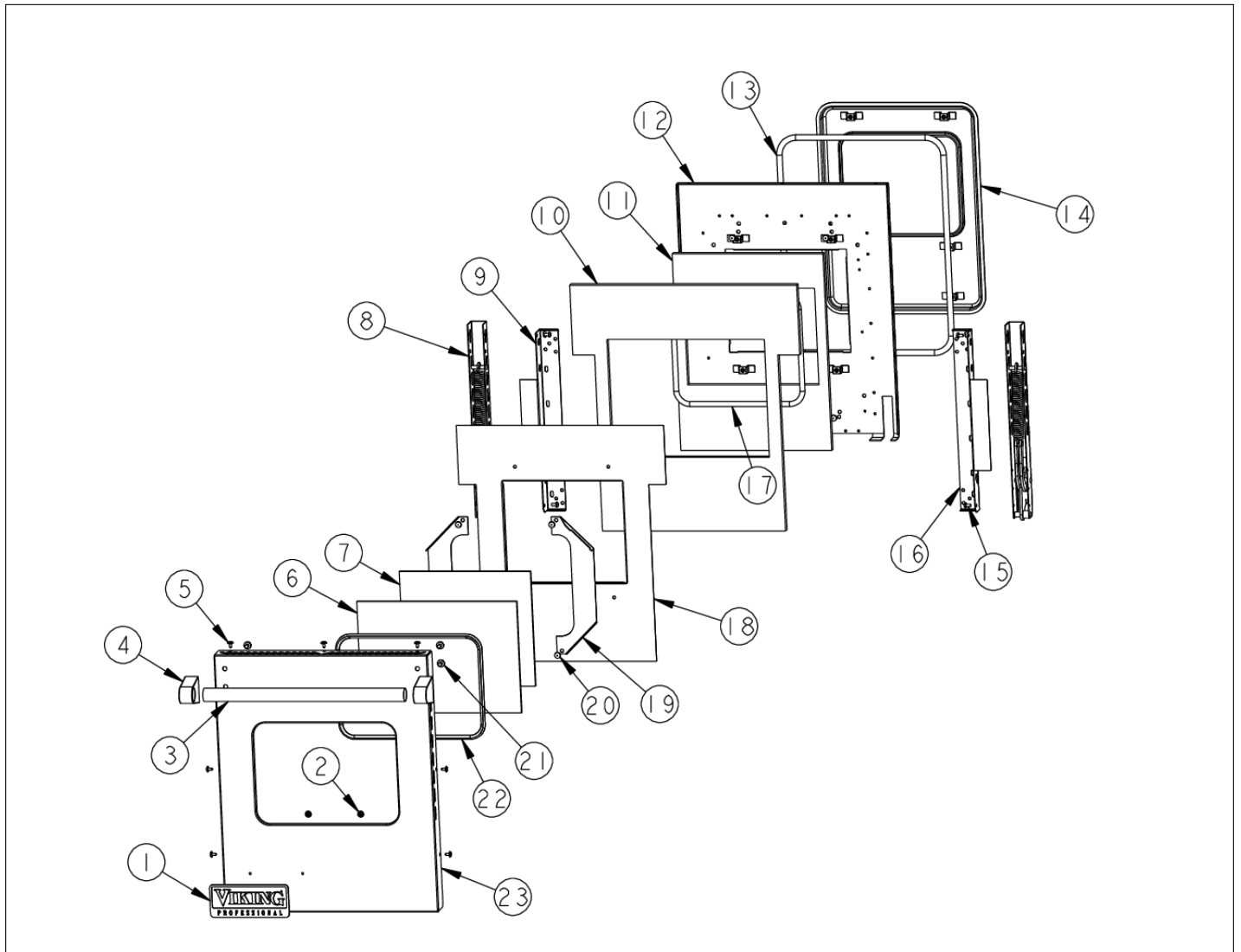




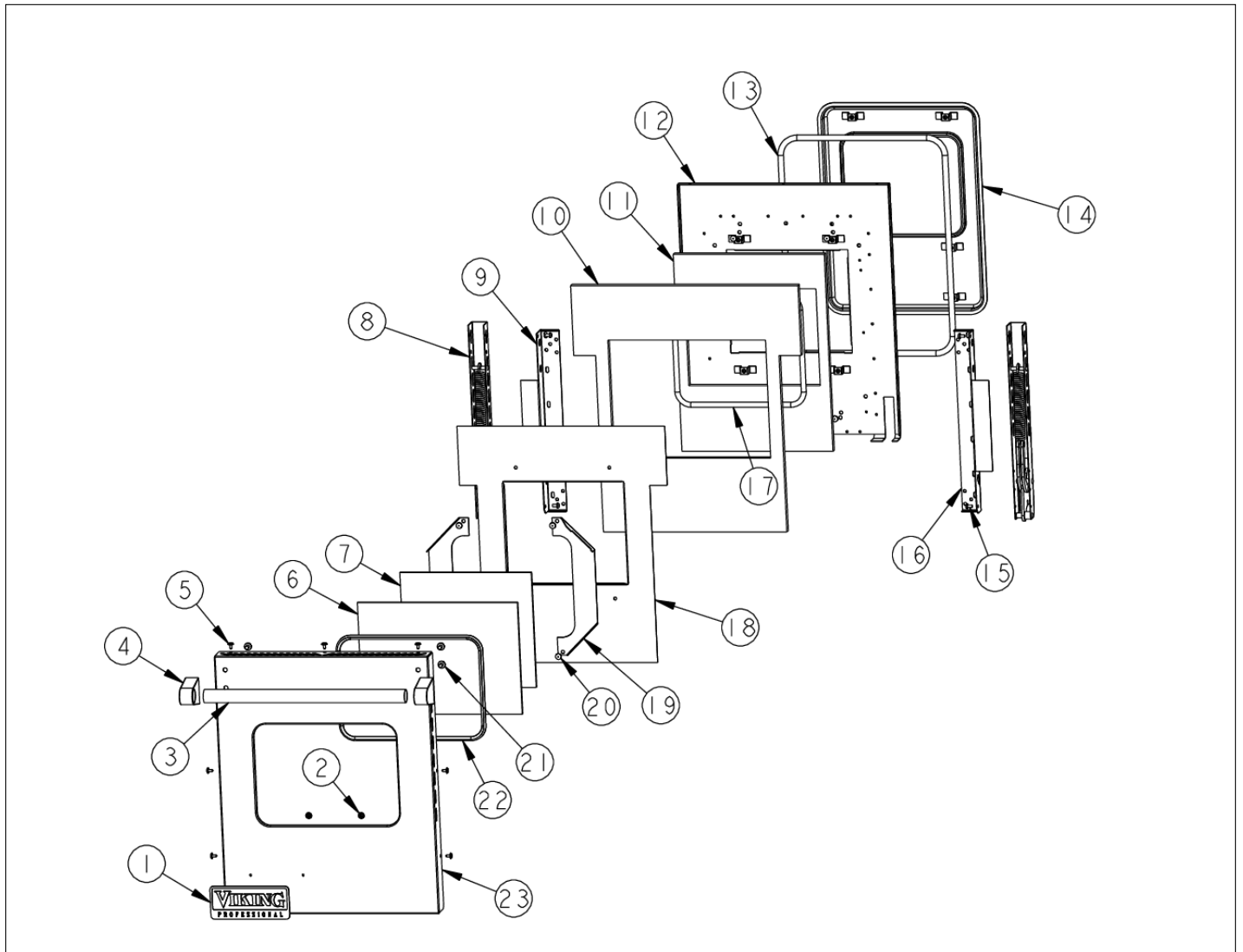
Item	Part No.	Name	Qty	Uom	NOTES
1	PE010030	LOGO	1	EA	
Not Shown	PE010068	LOGO 6" (VGRC) BK/BR	1	EA	
Not Shown	PE010031	LOGO 6" (VGRC) *BK/WH*	1	EA	NO LONGER AVAILABLE
Not Shown	PE010076	LOGO 6" (VGRC) *BR/WH*	1	EA	NO LONGER AVAILABLE
2	PD030006	CAPPED WASHER PAL NUT	1	EA	
3	PE030008	DOOR HANDLE - LH 48VGRC	1	EA	
PE030014	PE030014PVD	DOOR HANDLE - LH - (48") PVD	1	EA	
4	000268-000	HANDLE ENDCAP	1	EA	
Not Shown	PE030001PVD	END CAP DOOR HANDLE *BR	1	EA	
5	PD020032	SRW-8(A)X3/8"PH.WFR HD 7/16DIA*NICL	1	EA	
6	PE060049	GLASS LH *TE* DF48DOOR	1	EA	
7	PE060032	GLASS (HEAT BARRIER) LH DF48DOOR	1	EA	
8	PC020222	DOOR HINGE (SHORT SPRING) NSF	1	EA	
9	000932-000	DOOR HINGE BRACKET	1	EA	Not available online / Call for pricing and availability
10	PB070145	SUPERWOOL 5" X 24" X 3'	1	EA	
11	PB070145	SUPERWOOL 5" X 24" X 3'	1	EA	
12	001144-000	LINER, DOOR, PORCELAIN 48 LH	1	EA	NO LONGER AVAILABLE, Not available online / Call for pricing and availability
13	000080-000	48" LH DOOR GASKET	1	EA	
14	001145-000	PLUG, DOOR, PORCELAIN, 48 LH (Before 12/20/2012)	1	EA	
15	PD020004	10X3/8PH.HD.TYPE 25 REPL PD040125	1	EA	
16	000075-000	DOOR HINGE BRACKET	1	EA	Not available online / Call for pricing and availability
17	000594-000	BLACK FIBERGLASS ROPE 3/8	1	EA	



Item	Part No.	Name	Qty	Uom	NOTES
18	000939-000	INNER DOOR HEAT SINK	1	EA	NO LONGER AVAILABLE, Not available online / Call for pricing and availability
19	E9102668	WINDOW BRKT (O/S DOOR GLASS)	1	EA	Not available online / Call for pricing and availability
20	PD020002	10 X 1/2 PH.TR.HD.SMS.	1	EA	
21	PD010019	BLT-1/4-20X3/8"HEX WASHER SERATED	1	EA	
22	PE060046	J-MOLD LH SS (DF48 DOOR)	1	EA	
Not Shown	PE060048	J-MOLD LH *BR* (DF48 DOOR)	1	EA	NO LONGER AVAILABLE
23	B2002504	O/S DOOR PANEL LH *SS* (VDSC48)	1	EA	
Not Shown	C9002504AL	O/S DOOR PANEL-LH *AL* (VDSC48)	1	EA	NO LONGER AVAILABLE, Not available online / Call for pricing and availability
Not Shown	C9002504BK	O/S DOOR PANEL-LH *BK* (VDSC48)	1	EA	
Not Shown	C9002504BT	O/S DOOR PANEL-LH *BT* (VDSC48)	1	EA	NO LONGER AVAILABLE
Not Shown	C9002504BU	O/S DOOR PANEL-LH *BU* (VDSC48)	1	EA	
Not Shown	C9002504CB	O/S DOOR PANEL-LH *CB* (VDSC48)	1	EA	NO LONGER AVAILABLE
Not Shown	C9002504EP	O/S DOOR PANEL-LH *EP* (VDSC48)	1	EA	NO LONGER AVAILABLE, Not available online / Call for pricing and availability
Not Shown	C9002504FG	O/S DOOR PANEL-LH *FG* (VDSC48)	1	EA	NO LONGER AVAILABLE, Not available online / Call for pricing and availability
Not Shown	C9002504GG	O/S DOOR PANEL-LH *GG* (VDSC48)	1	EA	
Not Shown	C9002504LE	O/S DOOR PANEL-LH *LE* (VDSC48)	1	EA	NO LONGER AVAILABLE
Not Shown	C9002504MJ	O/S DOOR PANEL-LH *MJ* (VDSC48)	1	EA	NO LONGER AVAILABLE, Not available online / Call for pricing and availability

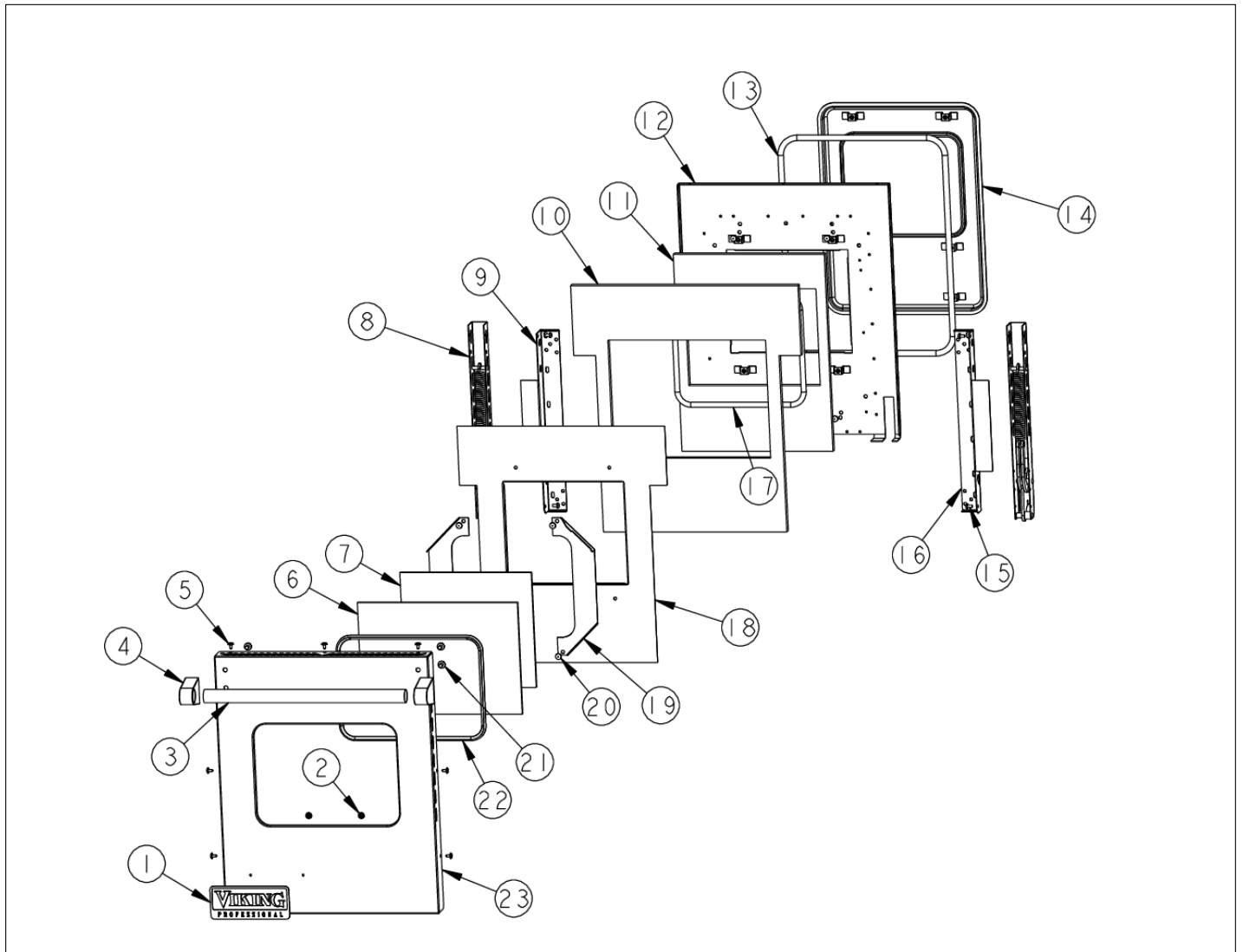


Item	Part No.	Name	Qty	Uom	NOTES
Not Shown	C9002504SG	O/S DOOR PANEL-SG *SG* (VDSC48)	1	EA	Not available online / Call for pricing and availability
Not Shown	C9002504VB	O/S DOOR PANEL-LH*VB* (VDSC48)	1	EA	NO LONGER AVAILABLE, Not available online / Call for pricing and availability
Not Shown	C9002504WH	O/S DOOR PANEL-LH *WH* (VDSC48)	1	EA	
NI	000946-007	COMPLETE DOOR ASSY. - AL	1	EA	Not available online / Call for pricing and availability
Not Shown	000946-107	COMPLETE DOOR ASSY. - ALBR	1	EA	Not available online / Call for pricing and availability
Not Shown	000946-002	COMPLETE DOOR ASSY. - BK	1	EA	Not available online / Call for pricing and availability
Not Shown	000946-102	COMPLETE DOOR ASSY. - BKBR	1	EA	Not available online / Call for pricing and availability
Not Shown	000946-003	COMPLETE DOOR ASSY. - BT	1	EA	Not available online / Call for pricing and availability
Not Shown	000946-103	COMPLETE DOOR ASSY. - BTBR	1	EA	Not available online / Call for pricing and availability
Not Shown	000946-008	COMPLETE DOOR ASSY. - BU	1	EA	Not available online / Call for pricing and availability
Not Shown	000946-108	COMPLETE DOOR ASSY. - BUBR	1	EA	Not available online / Call for pricing and availability
Not Shown	000946-013	COMPLETE DOOR ASSY. - CB	1	EA	Not available online / Call for pricing and availability
Not Shown	000946-113	COMPLETE DOOR ASSY. - CBBR	1	EA	Not available online / Call for pricing and availability





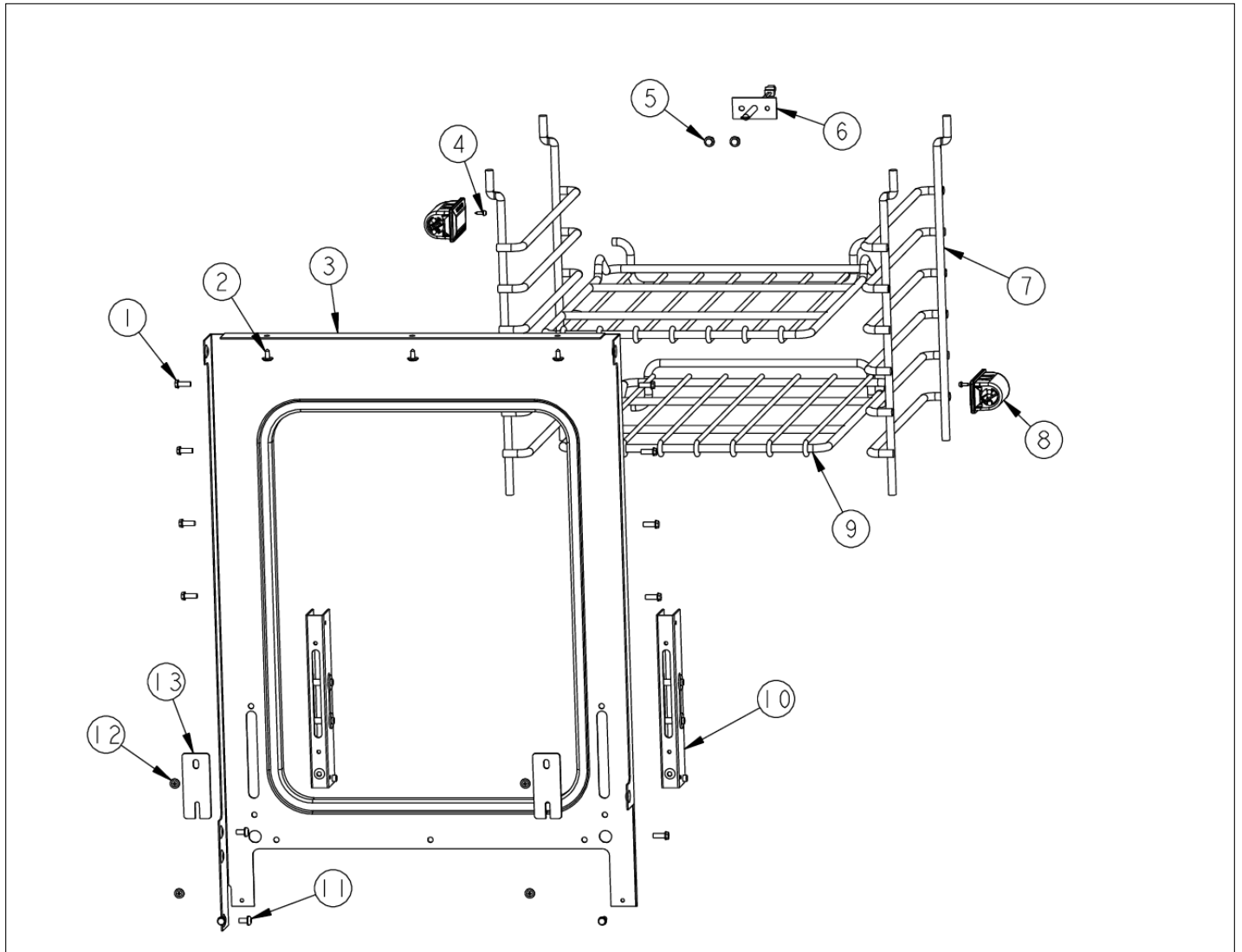
Item	Part No.	Name	Qty	Uom	NOTES
Not Shown	000946-014	COMPLETE DOOR ASSY. - EP	1	EA	Not available online / Call for pricing and availability
Not Shown	000946-114	COMPLETE DOOR ASSY. - EPBR	1	EA	Not available online / Call for pricing and availability
Not Shown	000946-011	COMPLETE DOOR ASSY. - FG	1	EA	Not available online / Call for pricing and availability
Not Shown	000946-111	COMPLETE DOOR ASSY. - FGBR	1	EA	Not available online / Call for pricing and availability
Not Shown	000946-005	COMPLETE DOOR ASSY. - GG	1	EA	Not available online / Call for pricing and availability
Not Shown	000946-105	COMPLETE DOOR ASSY. - GGBR	1	EA	Not available online / Call for pricing and availability
Not Shown	000946-009	COMPLETE DOOR ASSY. - LE	1	EA	Not available online / Call for pricing and availability
Not Shown	000946-109	COMPLETE DOOR ASSY. - LEBR	1	EA	Not available online / Call for pricing and availability
Not Shown	000946-010	COMPLETE DOOR ASSY. - MJ	1	EA	Not available online / Call for pricing and availability
Not Shown	000946-110	COMPLETE DOOR ASSY. - MJBR	1	EA	Not available online / Call for pricing and availability
Not Shown	000946-004	COMPLETE DOOR ASSY. - SG	1	EA	Not available online / Call for pricing and availability
Not Shown	000946-104	COMPLETE DOOR ASSY. - SGBR	1	EA	Not available online / Call for pricing and availability
Not Shown	000946-000	DOOR ASSY 48" LH - NLA	1	EA	NO LONGER AVAILABLE





Item	Part No.	Name	Qty	Uom	NOTES
Not Shown	000946-100	DOOR ASSEMBLY, 48" LH (BR)	1	EA	NO LONGER AVAILABLE, Not available online / Call for pricing and availability
Not Shown	000946-012	COMPLETE DOOR ASSY. - VB	1	EA	Not available online / Call for pricing and availability
Not Shown	000946-112	COMPLETE DOOR ASSY. - VBBR	1	EA	Not available online / Call for pricing and availability
Not Shown	000946-006	COMPLETE DOOR ASSY. - WH	1	EA	Not available online / Call for pricing and availability
Not Shown	000946-106	COMPLETE DOOR ASSY. - WHBR	1	EA	Not available online / Call for pricing and availability

LH OVEN MAIN CAVITY





Item	Part No.	Name	Qty	Uom	NOTES
1	PD020060	10 X 1/2" (5/16)HEX WSHER HD.(T)A	1	EA	
2	PD020032	SRW-8(A)X3/8"PH.WFR HD 7/16DIA*NICL	1	EA	
3	001014-000	FRONT FRAME 48 LH WELD ASSY	1	EA	NO LONGER AVAILABLE, Not available online / Call for pricing and availability
4	PD020013	TYPE "AB" #6 X 3/8 PH PAN HD. SMS	1	EA	
5	PD020048	NO.10 X 1/2 TEK 410 SS SCREW	1	EA	
6	PE050206	RTD THERMOSTAT PROBE	1	EA	
7	PB060030	RACK SUPT REPL PB060010	1	EA	
8	005311-000	LAMP, OVEN, 120V/25W	1	EA	
9	PB060046	OVEN RK VDSC48-LH REPL PB060023	1	EA	
10	PC020295	HINGE RECEIVER ASSEMBLY	1	EA	
11	PD020004	10X3/8PH.HD.TYPE 25 REPL PD040125	1	EA	
12	003083-000	#8-18 x 1/2" PHIL FLAT TOP TRUSS HD AB SCREW	1	EA	
13	B1007913	HINGE CLIP (DESIGNER TIME PIECE)	1	EA	



LIGHT EXT. HARNESS

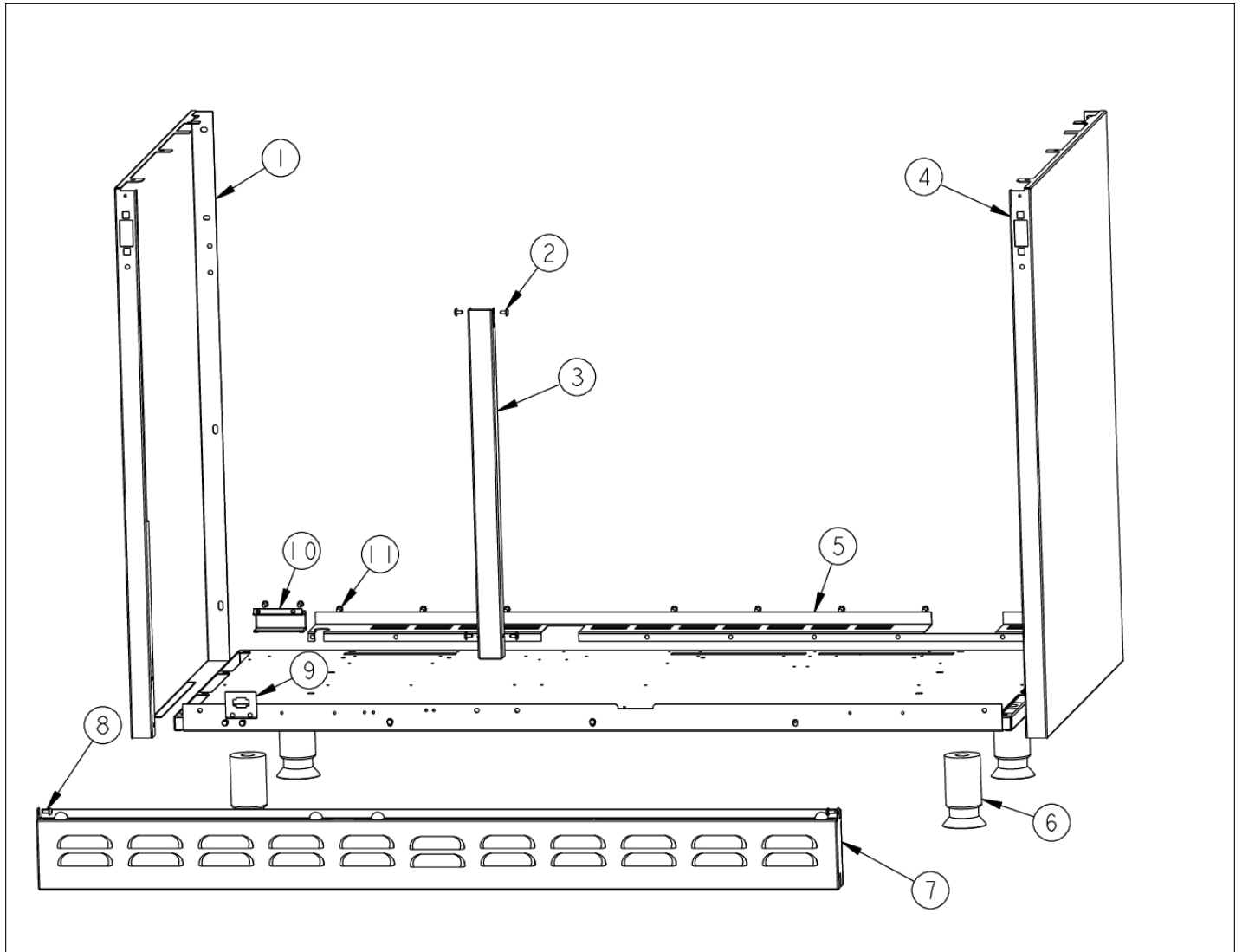
VGIC488-6G





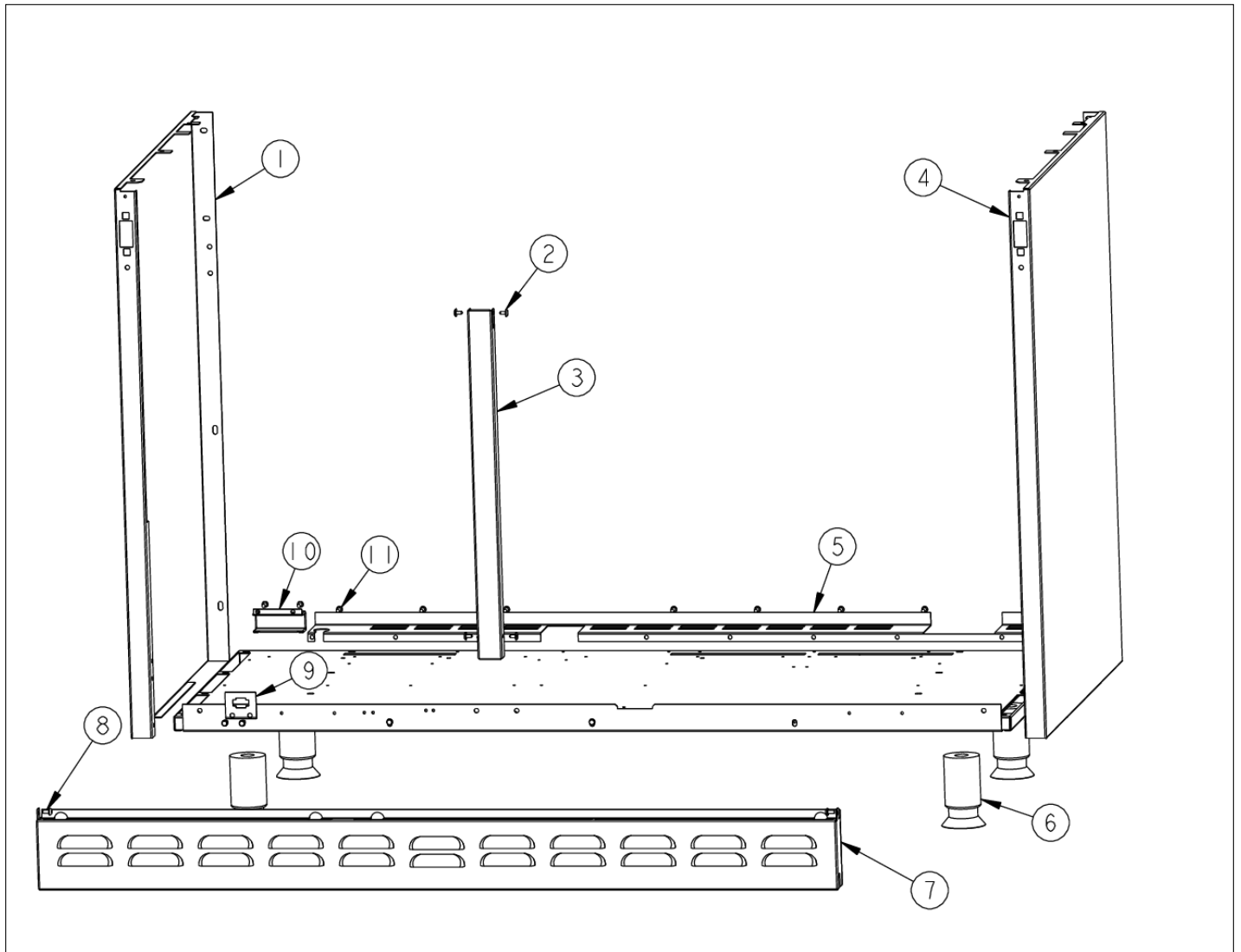
Item	Part No.	Name	Qty	Uom	NOTES
1	PE070245	LIGHT EXTENTION HARNESS (VGSC306)	1	EA	
Not Shown	NOTE	(MAY NOT BE USED ON ALL UNITS)		EA	

LOWER UNIT AND SIDE PANELS



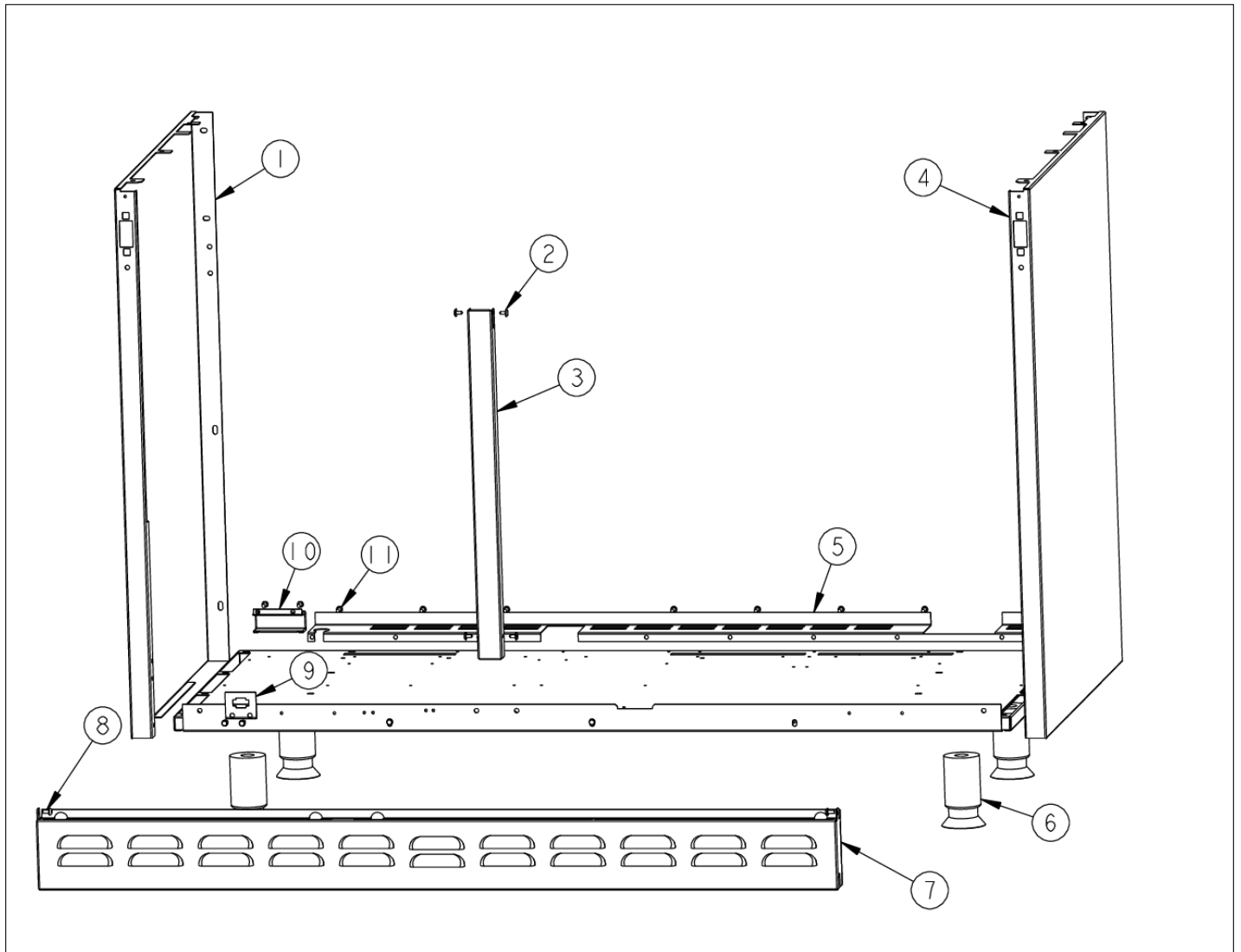


Item	Part No.	Name	Qty	Uom	NOTES
1	003349-007	LH RANGE BODY PANEL (AL)	1	EA	NO LONGER AVAILABLE, Not available online / Call for pricing and availability
Not Shown	003349-002	LH RANGE BODY PANEL (BK)	1	EA	
Not Shown	003349-003	LH RANGE BODY PANEL (BT)	1	EA	NO LONGER AVAILABLE, Not available online / Call for pricing and availability
Not Shown	003349-008	LH RANGE BODY PANEL (BU)	1	EA	NO LONGER AVAILABLE, Not available online / Call for pricing and availability
Not Shown	003349-013	LH RANGE BODY PANEL (CB)	1	EA	NO LONGER AVAILABLE
Not Shown	003349-014	LH RANGE BODY PANEL (EP)	1	EA	NO LONGER AVAILABLE, Not available online / Call for pricing and availability
Not Shown	003349-011	LH RANGE BODY PANEL (FG)	1	EA	NO LONGER AVAILABLE, Not available online / Call for pricing and availability
Not Shown	003349-005	LH RANGE BODY PANEL (GG)	1	EA	NO LONGER AVAILABLE, Not available online / Call for pricing and availability
Not Shown	003349-009	LH RANGE BODY PANEL (LE)	1	EA	NO LONGER AVAILABLE, Not available online / Call for pricing and availability
Not Shown	003349-010	LH RANGE BODY PANEL (MJ)	1	EA	NO LONGER AVAILABLE, Not available online / Call for pricing and availability
Not Shown	003349-004	LH RANGE BODY PANEL (SG)	1	EA	NO LONGER AVAILABLE, Not available online / Call for pricing and availability
Not Shown	003349-000	LH RANGE BODY PANEL	1	EA	



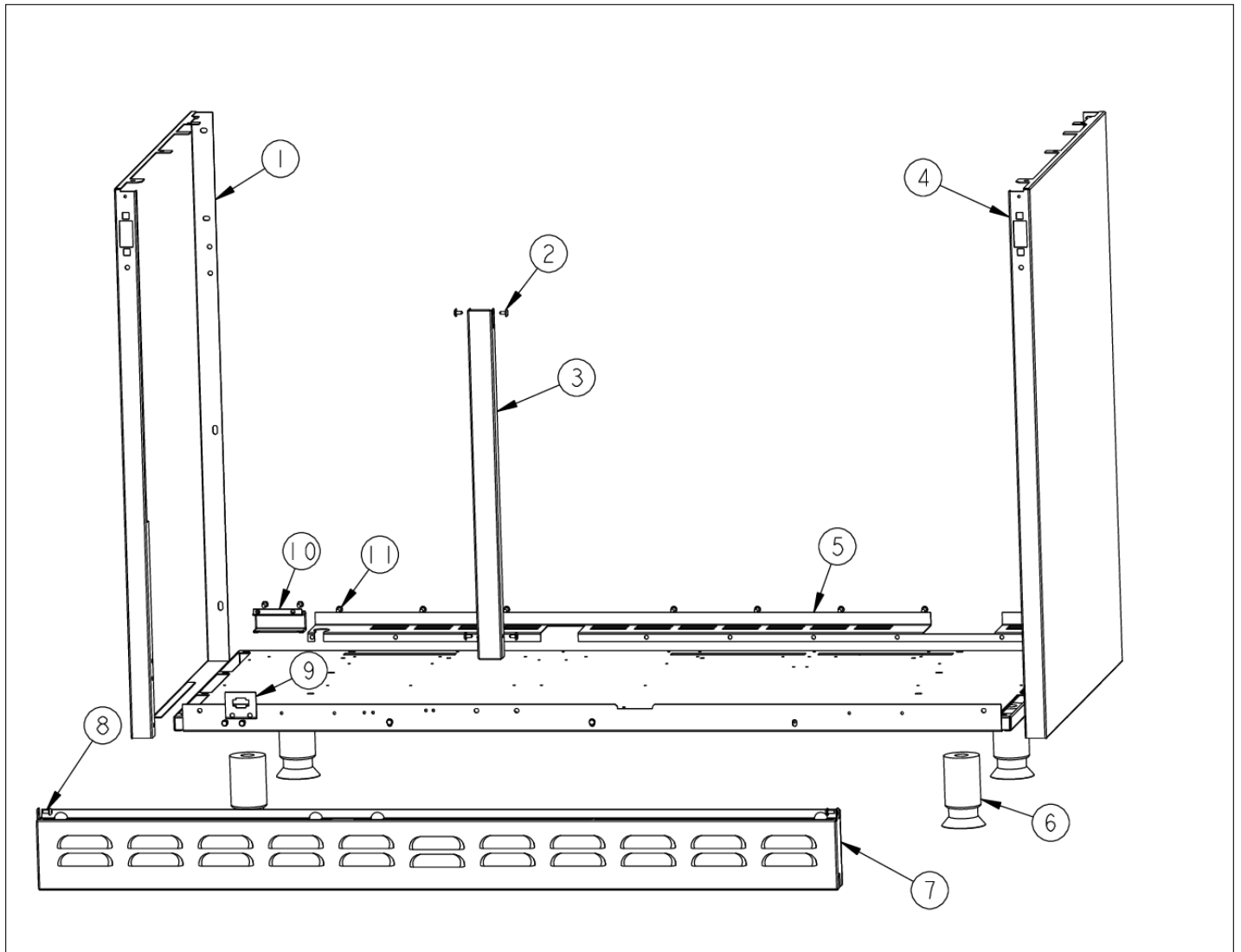


Item	Part No.	Name	Qty	Uom	NOTES
Not Shown	003349-012	LH RANGE BODY PANEL (VB)	1	EA	NO LONGER AVAILABLE, Not available online / Call for pricing and availability
Not Shown	003349-006	LH RANGE BODY PANEL (WH)	1	EA	NO LONGER AVAILABLE, Not available online / Call for pricing and availability
2	PD020032	SRW-8(A)X3/8"PH.WFR HD 7/16DIA*NICL	1	EA	
3	B2005683	CENTER TRIM	1	EA	
Not Shown	C9005683AL	CENTER TRIM *AL*	1	EA	NO LONGER AVAILABLE, Not available online / Call for pricing and availability
Not Shown	C9005683BK	CENTER TRIM *BK*	1	EA	NO LONGER AVAILABLE
Not Shown	C9005683BT	CENTER TRIM *BT*	1	EA	NO LONGER AVAILABLE, Not available online / Call for pricing and availability
Not Shown	C9005683BU	CENTER TRIM *BU*	1	EA	Not available online / Call for pricing and availability
Not Shown	C9005683CB	CENTER TRIM *CB*	1	EA	NO LONGER AVAILABLE
Not Shown	C9005683EP	CENTER TRIM *EP*	1	EA	NO LONGER AVAILABLE, Not available online / Call for pricing and availability
Not Shown	C9005683FG	CENTER TRIM *FG*	1	EA	NO LONGER AVAILABLE, Not available online / Call for pricing and availability
Not Shown	C9005683GG	CENTER TRIM *GG*	1	EA	NO LONGER AVAILABLE
Not Shown	C9005683LE	CENTER TRIM *LE*	1	EA	NO LONGER AVAILABLE, Not available online / Call for pricing and availability

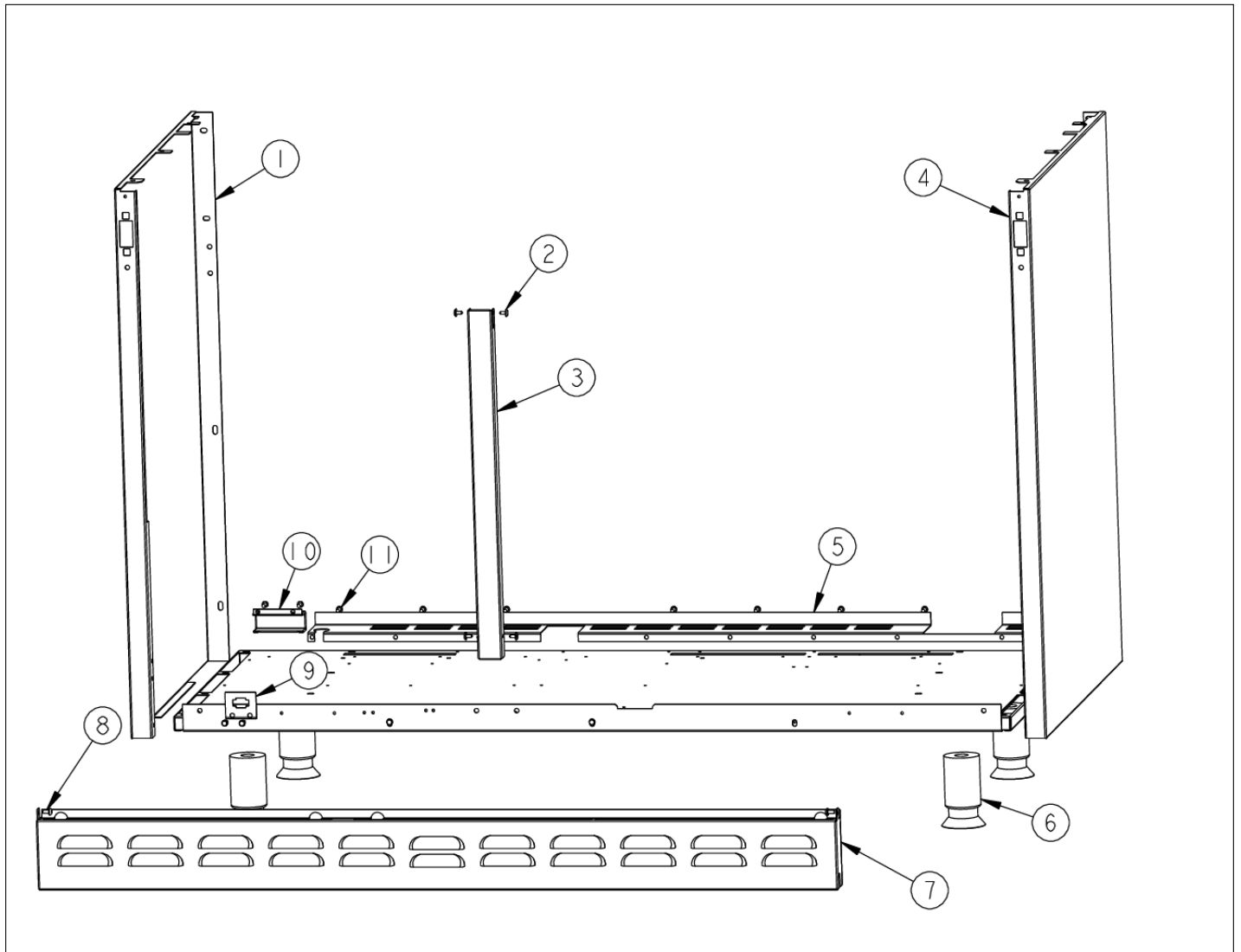




Item	Part No.	Name	Qty	Uom	NOTES
Not Shown	C9005683MJ	CENTER TRIM *MJ*	1	EA	NO LONGER AVAILABLE, Not available online / Call for pricing and availability
Not Shown	C9005683SG	CENTER TRIM *SG*	1	EA	
Not Shown	C9005683VB	CENTER TRIM *VB*	1	EA	NO LONGER AVAILABLE, Not available online / Call for pricing and availability
Not Shown	C9005683WH	CENTER TRIM *WH*	1	EA	NO LONGER AVAILABLE, Not available online / Call for pricing and availability
4	003348-007	O/S BODY PANEL - RH (AL)	1	EA	NO LONGER AVAILABLE, Not available online / Call for pricing and availability
Not Shown	003348-002	O/S BODY PANEL - RH (BK)	1	EA	
Not Shown	003348-003	O/S BODY PANEL - RH (BT)	1	EA	NO LONGER AVAILABLE, Not available online / Call for pricing and availability
Not Shown	003348-008	O/S BODY PANEL - RH (BU)	1	EA	NO LONGER AVAILABLE, Not available online / Call for pricing and availability
Not Shown	003348-013	O/S BODY PANEL - RH (CB)	1	EA	NO LONGER AVAILABLE
Not Shown	003348-014	O/S BODY PANEL - RH (EP)	1	EA	NO LONGER AVAILABLE, Not available online / Call for pricing and availability
Not Shown	003348-011	O/S BODY PANEL - RH (FG)	1	EA	NO LONGER AVAILABLE, Not available online / Call for pricing and availability
Not Shown	003348-005	O/S BODY PANEL - RH (GG)	1	EA	NO LONGER AVAILABLE, Not available online / Call for pricing and availability



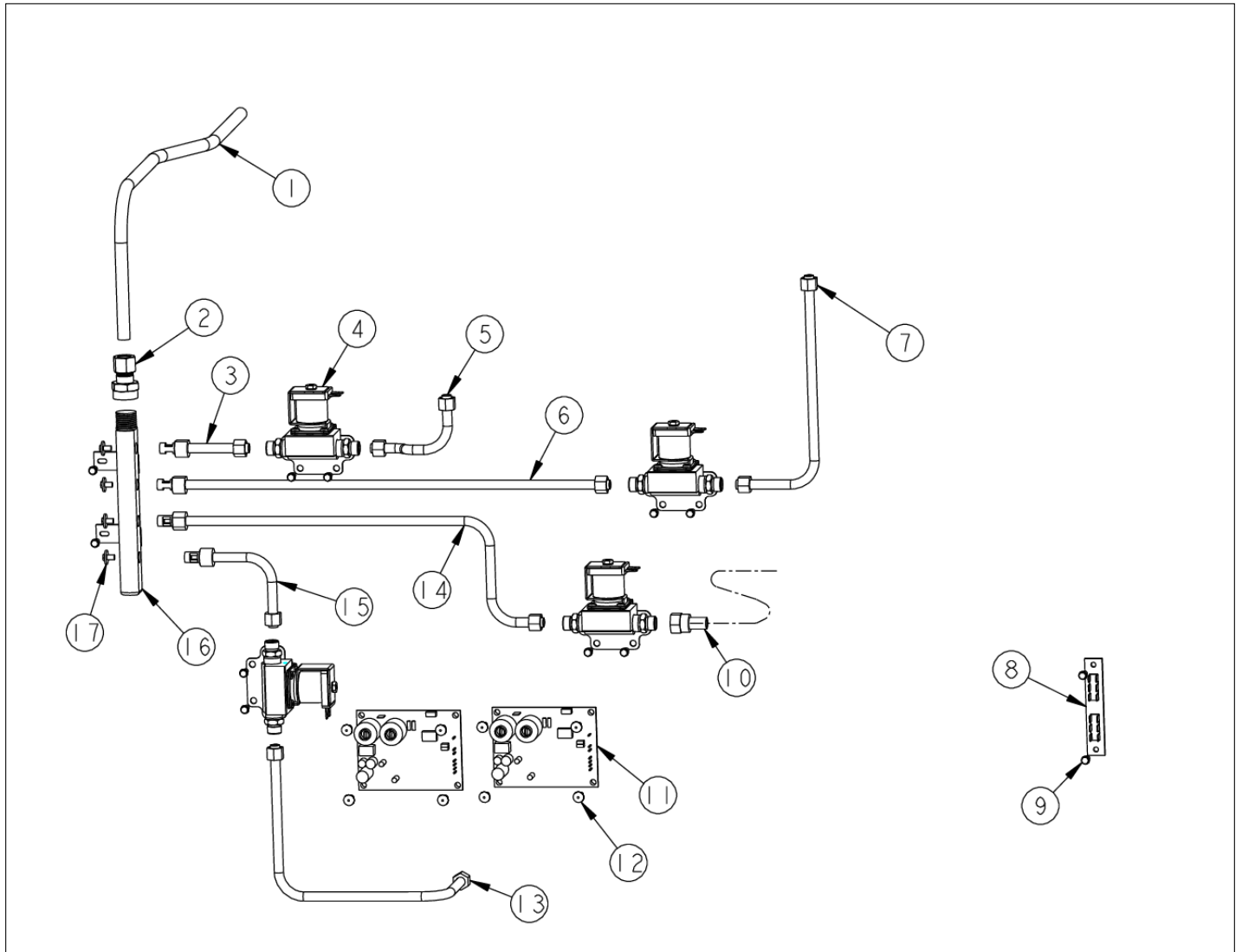
Item	Part No.	Name	Qty	Uom	NOTES
Not Shown	003348-009	O/S BODY PANEL - RH (LE)	1	EA	NO LONGER AVAILABLE, Not available online / Call for pricing and availability
Not Shown	003348-010	O/S BODY PANEL - RH (MJ)	1	EA	NO LONGER AVAILABLE, Not available online / Call for pricing and availability
Not Shown	003348-004	O/S BODY PANEL - RH (SG)	1	EA	NO LONGER AVAILABLE, Not available online / Call for pricing and availability
Not Shown	003348-000	RH RANGE BODY PANEL	1	EA	Not available online / Call for pricing and availability
Not Shown	003348-012	O/S BODY PANEL - RH (VB)	1	EA	NO LONGER AVAILABLE, Not available online / Call for pricing and availability
Not Shown	003348-006	O/S BODY PANEL - RH (WH)	1	EA	NO LONGER AVAILABLE, Not available online / Call for pricing and availability
5	A2005584	O/S OVEN BACK BOTTOM	1	EA	NO LONGER AVAILABLE
6	PC030017	4" LEG ASSY	1	EA	
7	B2001241	LWR ACC. PNL - RPLCS B2001973	1	EA	
Not Shown	C9001241AL	LWR ACC PNL - RPLCS C9001973AL	1	EA	NO LONGER AVAILABLE, Not available online / Call for pricing and availability
Not Shown	C9001241BK	LWR ACC PNL - RPLCS C9001973BK	1	EA	
Not Shown	C9001241BT	LWR ACC PNL - RPLCS C9001973BT	1	EA	NO LONGER AVAILABLE
Not Shown	C9001241BU	LWR ACC PNL - RPLCS C9001973BU	1	EA	
Not Shown	C9001241CB	LWR ACC PNL - RPLCS C9001973CB	1	EA	NO LONGER AVAILABLE





Item	Part No.	Name	Qty	Uom	NOTES
Not Shown	C9001241EP	LWR ACC PNL - RPCLS C9001973EP	1	EA	NO LONGER AVAILABLE, Not available online / Call for pricing and availability
Not Shown	C9001241FG	LWR ACC PNL - RPLCS C9001973FG	1	EA	NO LONGER AVAILABLE, Not available online / Call for pricing and availability
Not Shown	C9001241GG	LWR ACC PNL - RPLCS C9001973GG	1	EA	Not available online / Call for pricing and availability
Not Shown	C9001241LE	LWR ACC PNL - RPLCS C9001973LE	1	EA	NO LONGER AVAILABLE
Not Shown	C9001241MJ	LWR ACC PNL - RPLCS C9001973MJ	1	EA	NO LONGER AVAILABLE
Not Shown	C9001241SG	LWR ACC PNL - RPLCS C9001973SG	1	EA	Not available online / Call for pricing and availability
Not Shown	C9001241VB	LWR ACC PNL - RPLCS C9001973VB	1	EA	NO LONGER AVAILABLE, Not available online / Call for pricing and availability
Not Shown	C9001241WH	LWR ACC PNL - RPLCS C9001973WH	1	EA	
8	PD020004	10X3/8PH.HD.TYPE 25 REPL PD040125	1	EA	
9	003439-000	POWER DISCONNECT BRACKET	1	EA	NO LONGER AVAILABLE, Not available online / Call for pricing and availability
10	A2004481	WIRE CHANNEL RH (VGSC306)	1	EA	NO LONGER AVAILABLE
11	PD020060	10 X 1/2" (5/16)HEX WSHER HD.(T)A	1	EA	

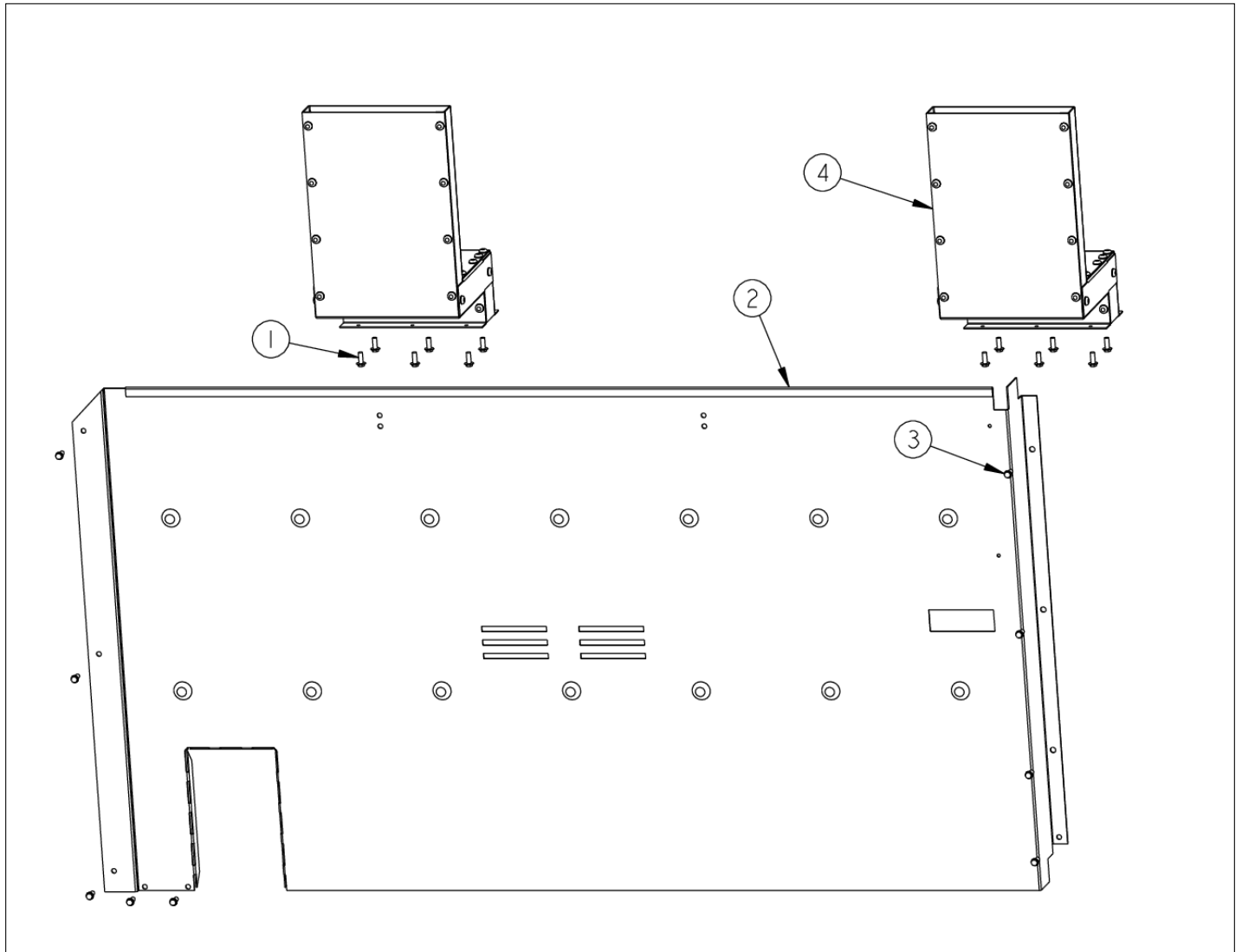
REAR ELECTRONICS AND GAS FLOW





Item	Part No.	Name	Qty	Uom	NOTES
1	000927-000	1/2" ALUM TUBING	1	EA	
2	000847-000	1/2" COMP TO 1/2" FEMALE NPT ADAPTER	1	EA	
3	000916-000	3/8" BROIL TUBING	1	EA	NO LONGER AVAILABLE, Not available online / Call for pricing and availability
4	003226-000	FJT VALVE - NO NUT/FERRELL	1	EA	
5	000921-000	3/8" ALUM TUBING ELBOW	1	EA	
6	000922-000	3/8" GRIDDLE TUBING	1	EA	
7	000923-000	3/8" GRIDDLE TUBING	1	EA	NO LONGER AVAILABLE, Not available online / Call for pricing and availability
8	PE050001	TERMINAL BOARD	1	EA	
9	PD020060	10 X 1/2" (5/16)HEX WSHER HD.(T)A	1	EA	
10	PB020136	44" 3/8 S.S. FLEX TUBING T6-44	1	EA	
11	PA020056	NLA - See TC-0063D-SP for kit number (see comments)	1	EA	
12	PD020014	10X3/4 PH TR HD SMS	1	EA	
13	000919-000	3/8" ALUM TUBING	1	EA	
14	000917-000	3/8" TUBING LH BAKE	1	EA	
15	000918-000	3/8" BAKE TUBING	1	EA	
16	000863-000	4 PORT MANIFOLD - NLA	1	EA	NO LONGER AVAILABLE
17	PD010012	1/4 x 3/8 VALVE BOLT	1	EA	

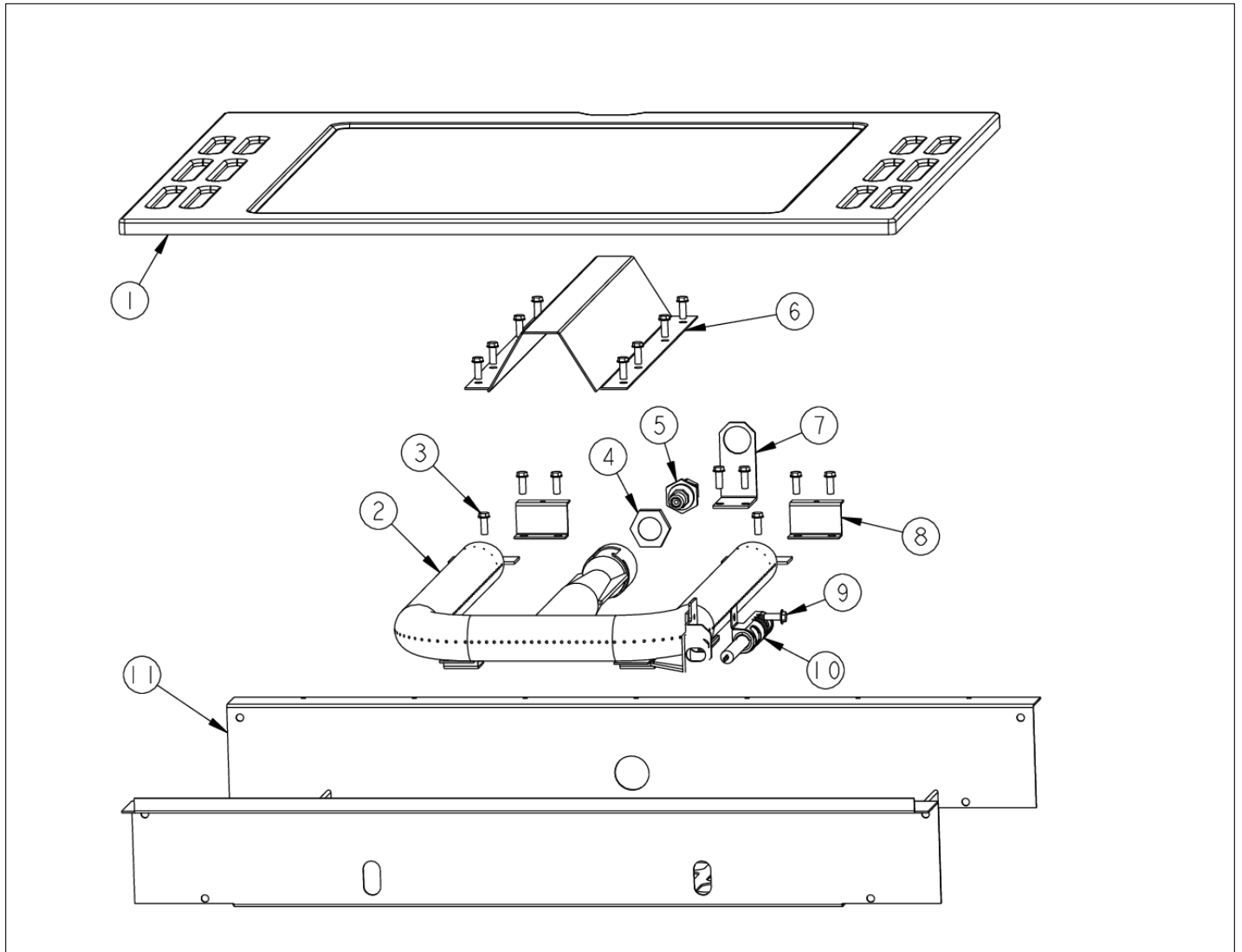
REAR SHEET METAL





Item	Part No.	Name	Qty	Uom	NOTES
1	PD020048	NO.10 X 1/2 TEK 410 SS SCREW	1	EA	
2	A2005583	48 REAR COVER	1	EA	NO LONGER AVAILABLE
3	PD020060	10 X 1/2" (5/16)HEX WSHER HD.(T)A	1	EA	
4	000967-000	FLUE ASSY	1	EA	

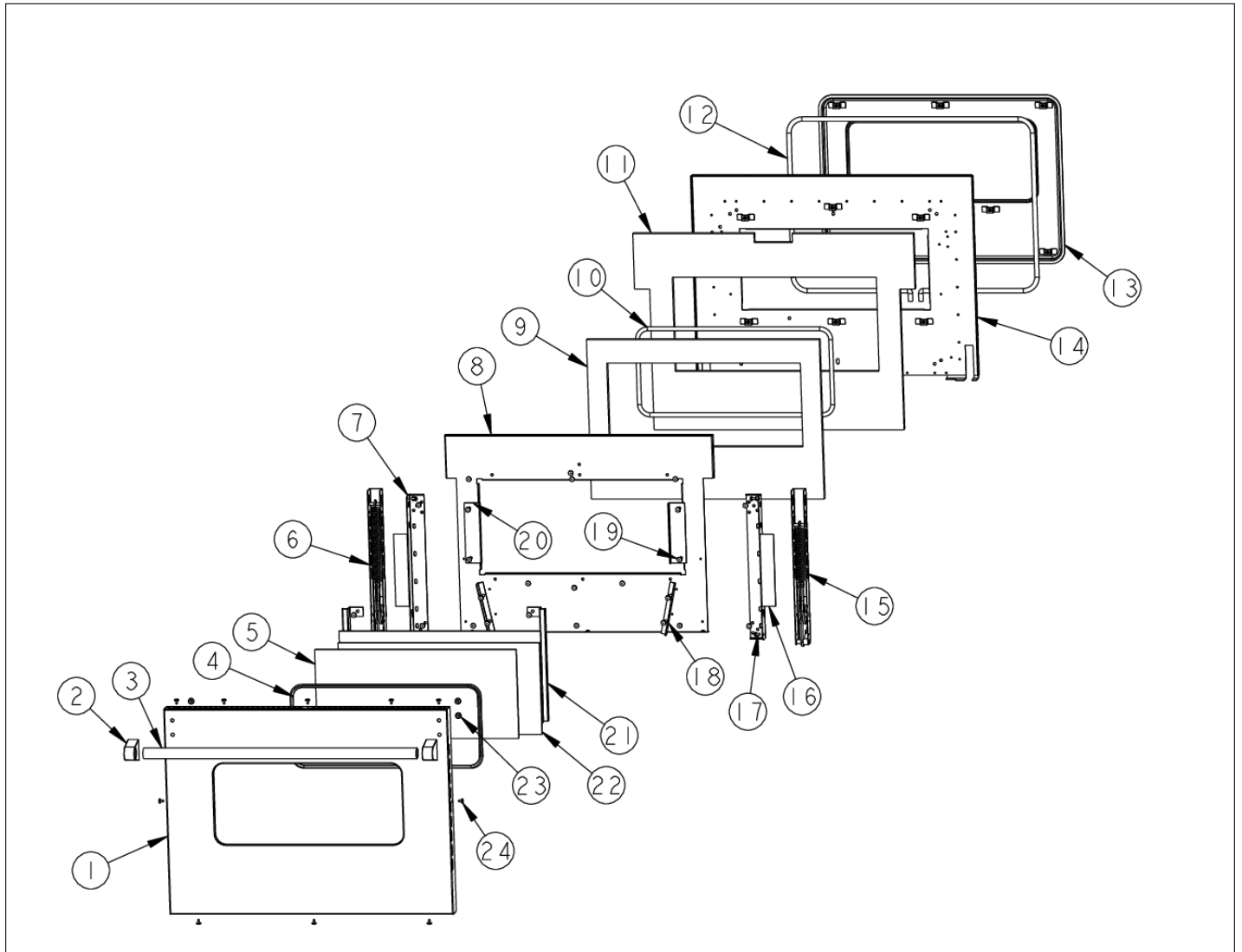
RH BAKE BURNER AREA





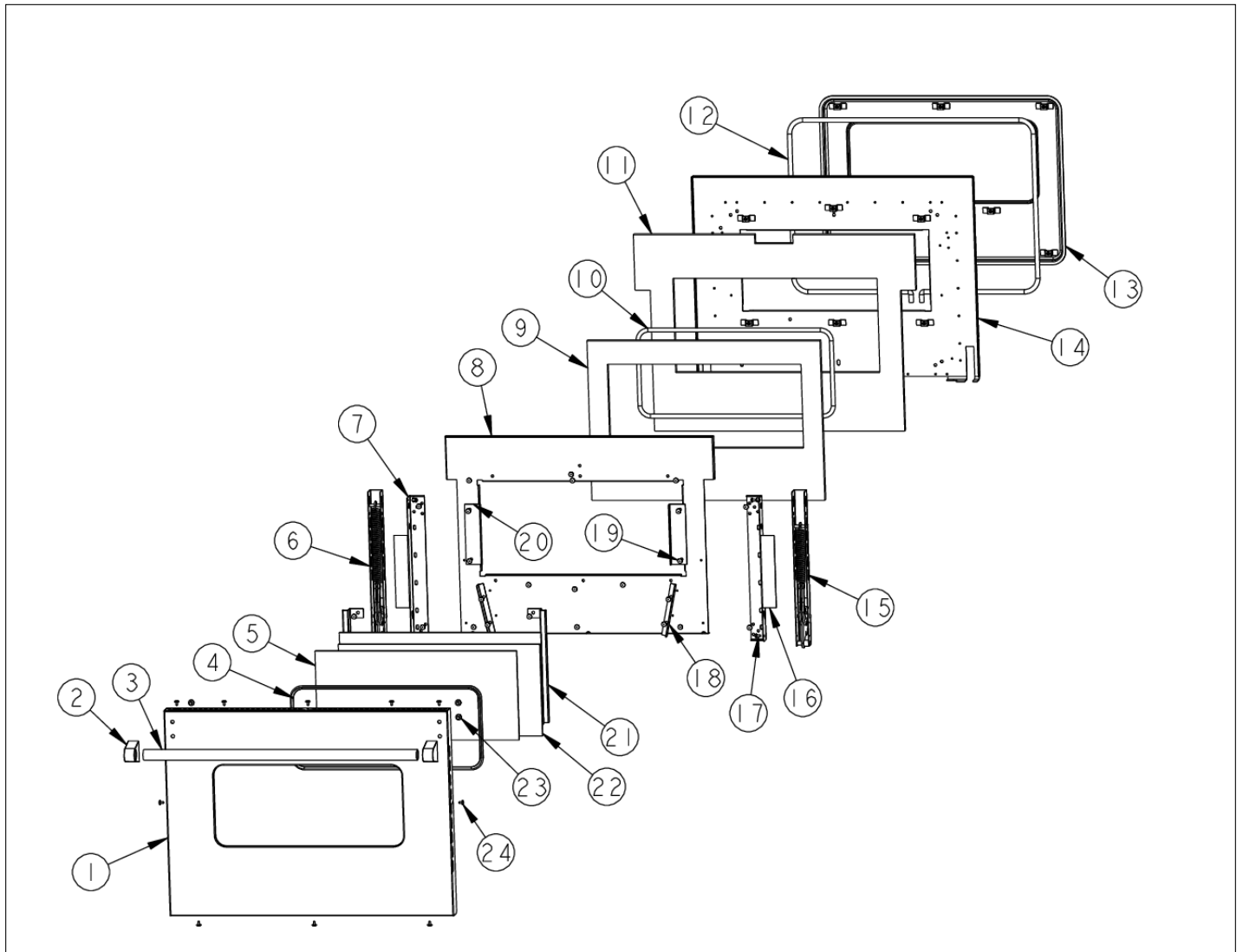
Item	Part No.	Name	Qty	Uom	NOTES
1	068456-000	ASM, BOTTOM, CAVITY, OVEN, GAS, 30", GRAY		EA	
Not Shown	NOTE	(INCLUDES HEAT SHIELD)		EA	
2	006197-000	U-SHAPE BAKE BURNER 8"		EA	
3	PD020060	10 X 1/2" (5/16)HEX WSHER HD.(T)A		EA	
4	PD030018	PALNUT - 3/4-16		EA	
5	PB040265	BULKHEAD ORIFICE FITTING		EA	
Not Shown	PB040246	SUB TO PB040035 - #51 ORIFICE HOOD		EA	NO LONGER AVAILABLE
6	A2004424	BURNER COVER (VGSC306)		EA	
7	A2004434	ORIFICE BRACKET (VGSC306)		EA	Not available online / Call for pricing and availability
8	B2004415	BURNER BRACKET (VGSC306)		EA	
9	PD020048	NO.10 X 1/2 TEK 410 SS SCREW		EA	
10	PB040170	BAKE IGNITION ELECTRODE		EA	
11	A20010137	30" CAVITY BOTTOM/48" RH BOTTOM		EA	NO LONGER AVAILABLE, Not available online / Call for pricing and availability

RH DOOR ASSEMBLY

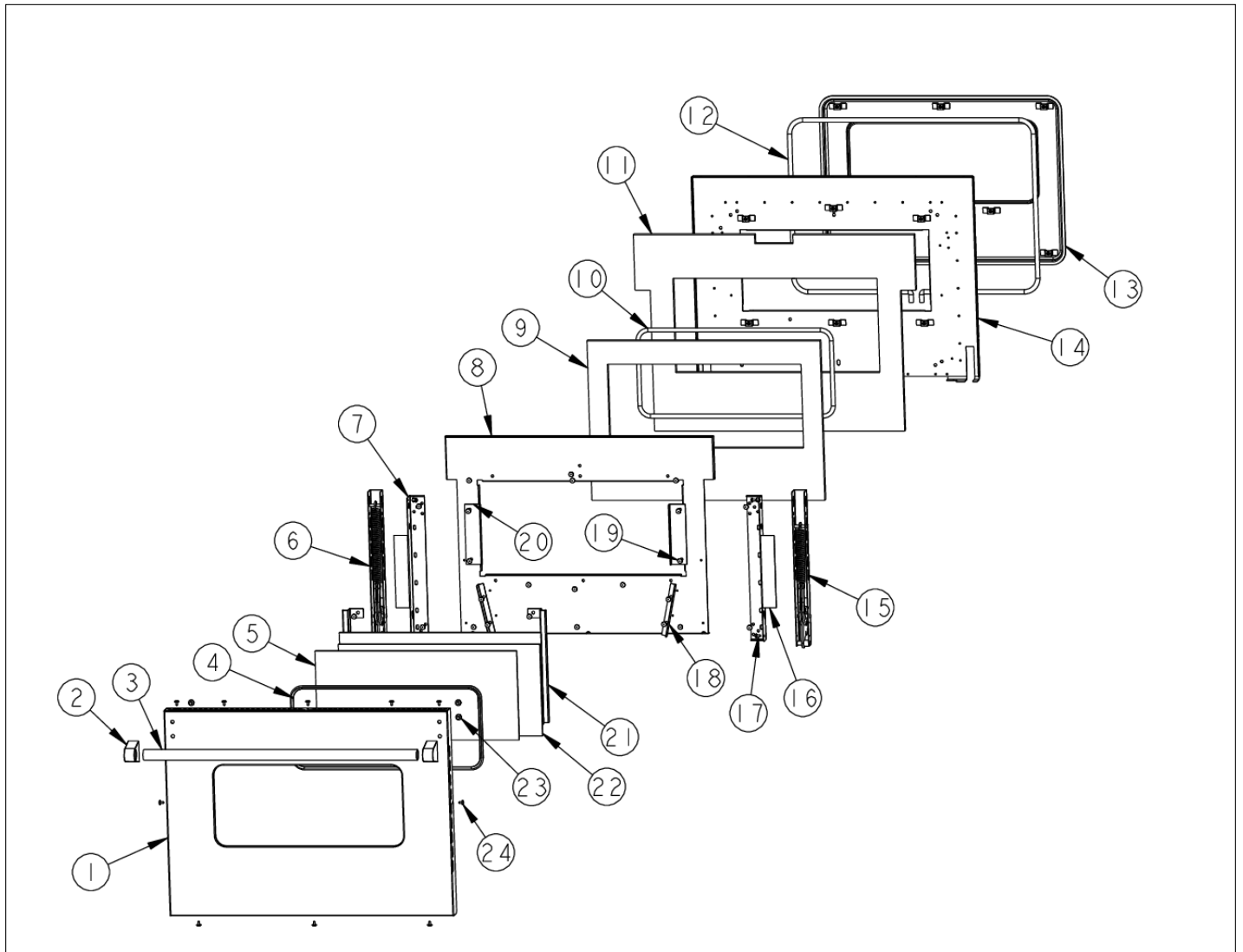




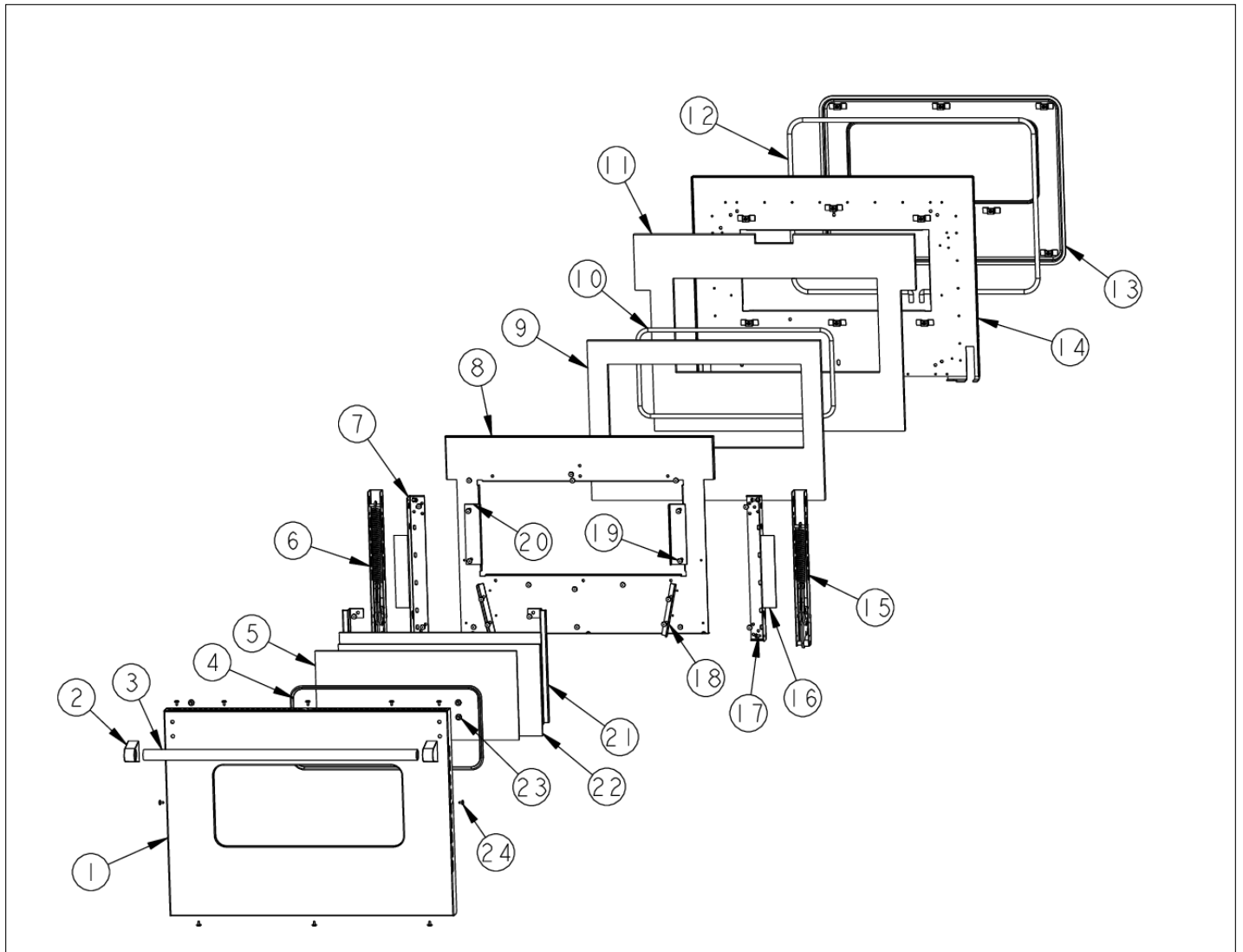
Item	Part No.	Name	Qty	Uom	NOTES
1	B2002528	O/S DOOR PANEL RH *SS* (VDSC48)	1	EA	
Not Shown	C9002528AL	O/S DOOR PANEL-RH *AL* (VDSC48)	1	EA	NO LONGER AVAILABLE
Not Shown	C9002528BK	O/S DOOR PANEL-RH *BK* (VDSC48)	1	EA	
Not Shown	C9002528BT	O/S DOOR PANEL-RH *BT* (VDSC48)	1	EA	NO LONGER AVAILABLE
Not Shown	C9002528BU	O/S DOOR PANEL-RH *BU* (VDSC48)	1	EA	
Not Shown	C9002528CB	O/S DOOR PANEL-RH *CB* (VDSC48)	1	EA	Not available online / Call for pricing and availability
Not Shown	C9002528EP	O/S DOOR PANEL-RH *EP* (VDSC48)	1	EA	NO LONGER AVAILABLE, Not available online / Call for pricing and availability
Not Shown	C9002528FG	O/S DOOR PANEL-RH *FG* (VDSC48)	1	EA	NO LONGER AVAILABLE, Not available online / Call for pricing and availability
Not Shown	C9002528GG	O/S DOOR PANEL-RH *GG* (VDSC48)	1	EA	Not available online / Call for pricing and availability
Not Shown	C9002528LE	O/S DOOR PANEL-RH *LE* (VDSC48)	1	EA	NO LONGER AVAILABLE
Not Shown	C9002528MJ	O/S DOOR PANEL-RH *MJ* (VDSC48)	1	EA	NO LONGER AVAILABLE, Not available online / Call for pricing and availability
Not Shown	C9002528SG	O/S DOOR PANEL-RH *SG* (VDSC48)	1	EA	Not available online / Call for pricing and availability
Not Shown	C9002528VB	O/S DOOR PANEL-RH *VB* (VDSC48)	1	EA	NO LONGER AVAILABLE, Not available online / Call for pricing and availability
Not Shown	C9002528WH	O/S DOOR PANEL-RH *WH* (VDSC48)	1	EA	NO LONGER AVAILABLE
2	000268-000	HANDLE ENDCAP	1	EA	
Not Shown	PE030001PVD	END CAP DOOR HANDLE *BR	1	EA	



Item	Part No.	Name	Qty	Uom	NOTES
3	PE030005	DOOR HANDLE - VGSC30/RC60/RC48RH	1	EA	
Not Shown	PE030012PVD	DOOR HANDLE - RH - (30"/48") PVD	1	EA	
4	PE060031	J-MOLD (LARGE WINDOW)	1	EA	
Not Shown	PE060045	J-MOLD (LARGE WINDOW) *BR*	1	EA	
5	PE060030	OUTER DOOR GLASS	1	EA	
6	PC020223	DOOR HINGE (LONG SPRING) NSF	1	EA	
7	000932-000	DOOR HINGE BRACKET	1	EA	Not available online / Call for pricing and availability
8	A20015315	DOOR INSULATION RETAINER	1	EA	NO LONGER AVAILABLE, Not available online / Call for pricing and availability
9	PB070145	SUPERWOOL 5" X 24" X 3'	1	EA	
10	000594-000	BLACK FIBERGLASS ROPE 3/8	1	EA	
11	PB070145	SUPERWOOL 5" X 24" X 3'	1	EA	
12	000042-000	30" DOOR GASKET	1	EA	
13	001142-000	PLUG, DOOR, ASM, PORCELAIN	1	EA	
<p>Comments for Part Num. 001142-000</p> <p>bradleysapplianceservice@shaw.ca on Nov 2, 2015</p> <p>001142-000 PLUG, DOOR, ASM, PORCELAIN (GREY WITH WHITE SPECS) OLD STYLE</p> <p>001142-402 PLUG, DOOR, ASM, PORCELAIN BK (BLACK LINER) NEW STYLE</p>					
14	001141-000	LINER, DOOR, ASM, PORCELAIN	1	EA	Not available online / Call for pricing and availability
15	PC020222	DOOR HINGE (SHORT SPRING) NSF	1	EA	
16	000075-000	DOOR HINGE BRACKET	1	EA	Not available online / Call for pricing and availability
17	PD020004	10X3/8PH.HD.TYPE 25 REPL PD040125	1	EA	
18	A2002497	DOOR GUIDE ANGLE VDSC	1	EA	

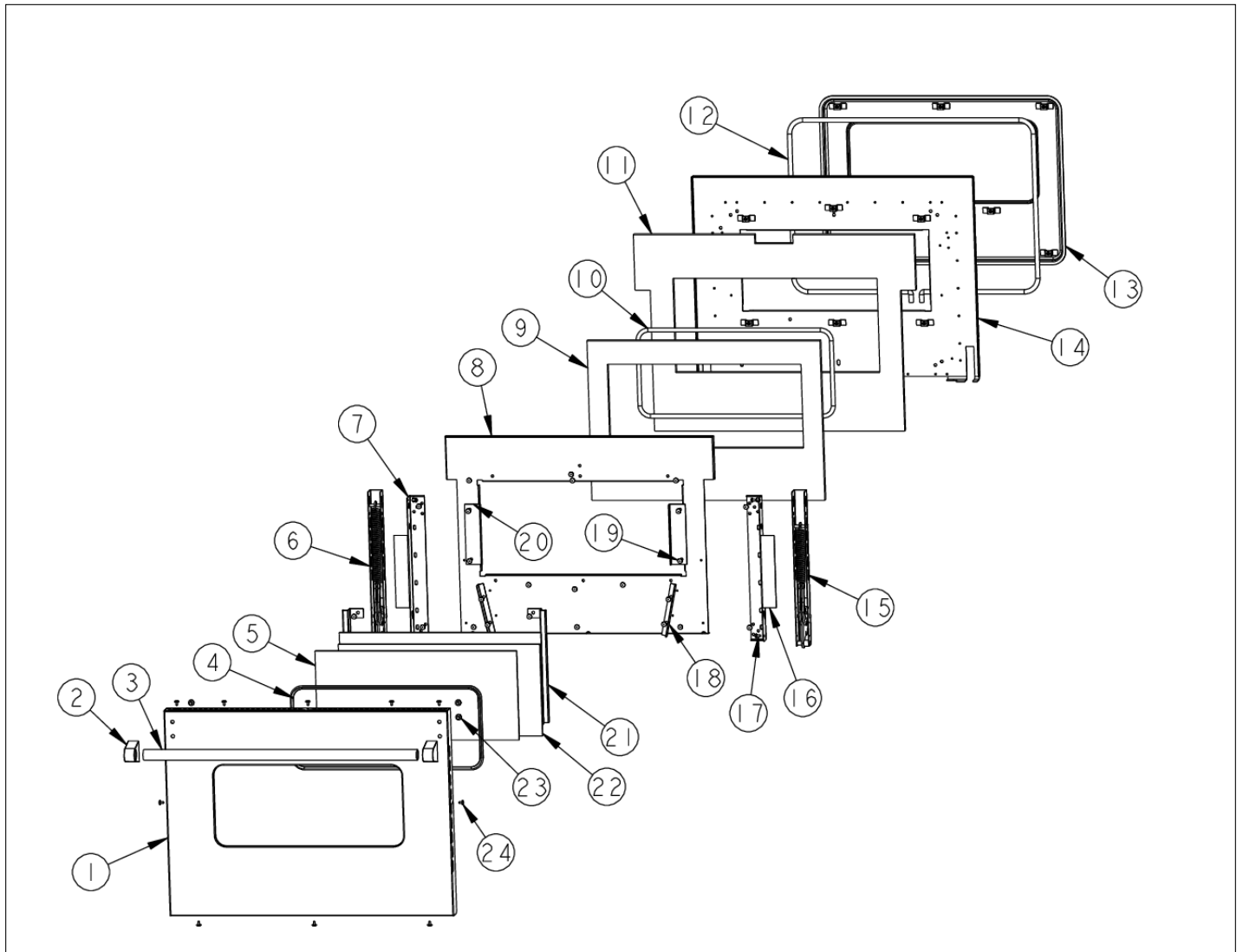


Item	Part No.	Name	Qty	Uom	NOTES
19	PD020002	10 X 1/2 PH.TR.HD.SMS.	1	EA	
20	A2002189	DOOR GLASS STANDOFF (VDSC)	1	EA	
21	A2002367	DOOR GLASS BRKT	1	EA	
22	PE060039	GLASS-HEAT TREATED (HB2) VDSC	1	EA	
23	PD010019	BLT-1/4-20X3/8"HEX WASHER SERATED	1	EA	
24	PD020032	SRW-8(A)X3/8"PH.WFR HD 7/16DIA*NICL	1	EA	
NI	000938-007	COMPLETE DOOR ASSY. - AL	1	EA	Not available online / Call for pricing and availability
Not Shown	000938-107	COMPLETE DOOR ASSY. - ALBR	1	EA	Not available online / Call for pricing and availability
Not Shown	000938-002	COMPLETE DOOR ASSY. - BK	1	EA	Not available online / Call for pricing and availability
Not Shown	000938-102	COMPLETE DOOR ASSY. - BKBR	1	EA	Not available online / Call for pricing and availability
Not Shown	000938-003	COMPLETE DOOR ASSY. - BT	1	EA	Not available online / Call for pricing and availability
Not Shown	000938-103	COMPLETE DOOR ASSY. - BTBR	1	EA	Not available online / Call for pricing and availability
Not Shown	000938-008	COMPLETE DOOR ASSY. - BU	1	EA	Not available online / Call for pricing and availability
Not Shown	000938-108	COMPLETE DOOR ASSY. - BUBR	1	EA	Not available online / Call for pricing and availability
Not Shown	000938-013	COMPLETE DOOR ASSY. - CB	1	EA	Not available online / Call for pricing and availability
Not Shown	000938-113	COMPLETE DOOR ASSY. - CBBR	1	EA	Not available online / Call for pricing and availability





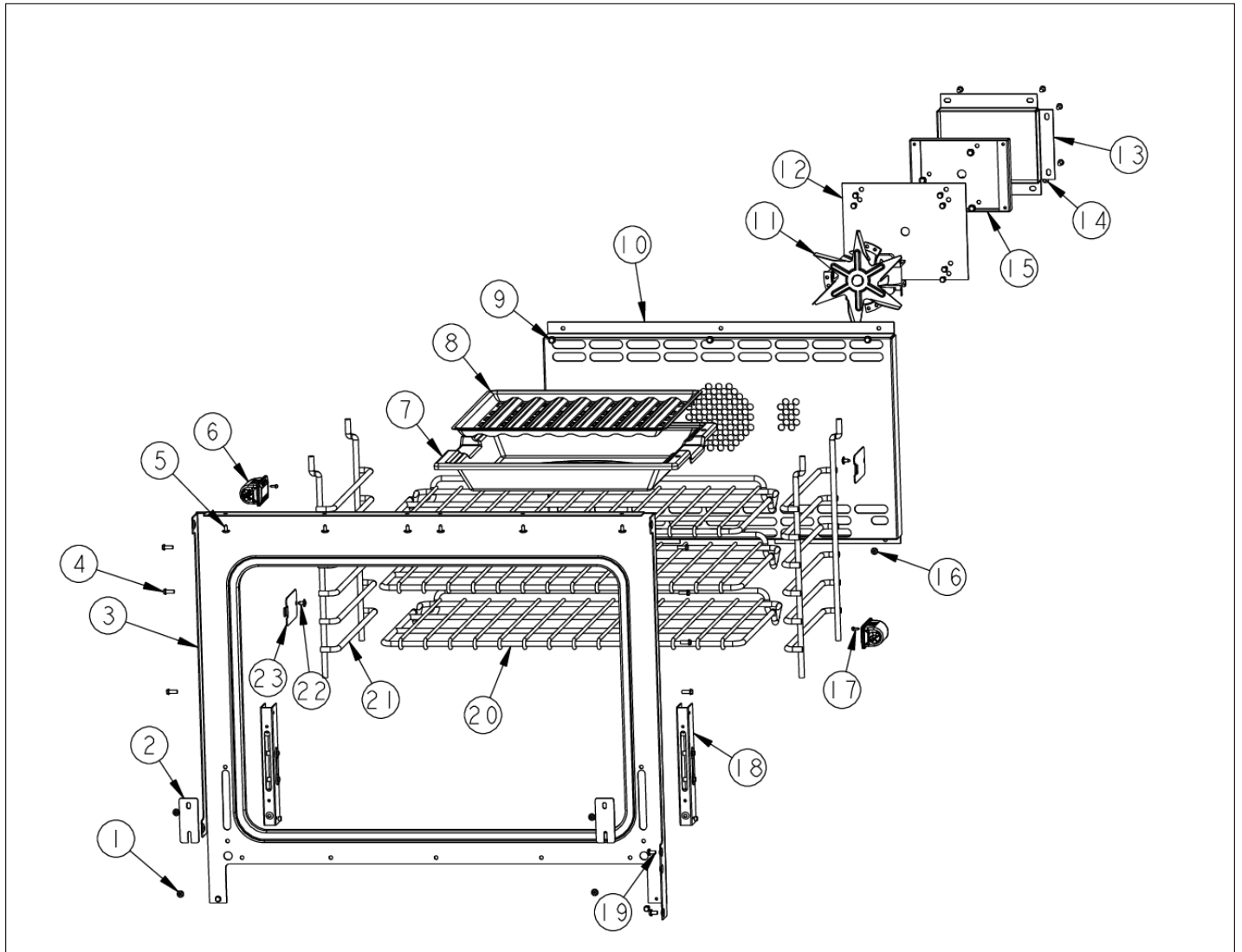
Item	Part No.	Name	Qty	Uom	NOTES
Not Shown	000938-014	COMPLETE DOOR ASSY. - EP	1	EA	Not available online / Call for pricing and availability
Not Shown	000938-114	COMPLETE DOOR ASSY. - EPBR	1	EA	Not available online / Call for pricing and availability
Not Shown	000938-011	COMPLETE DOOR ASSY. - FG	1	EA	Not available online / Call for pricing and availability
Not Shown	000938-111	COMPLETE DOOR ASSY. - FGBR	1	EA	Not available online / Call for pricing and availability
Not Shown	000938-005	COMPLETE DOOR ASSY. - GG	1	EA	Not available online / Call for pricing and availability
Not Shown	000938-105	COMPLETE DOOR ASSY. - GGBR	1	EA	Not available online / Call for pricing and availability
Not Shown	000938-009	COMPLETE DOOR ASSY. - LE	1	EA	Not available online / Call for pricing and availability
Not Shown	000938-109	COMPLETE DOOR ASSY. - LEBR	1	EA	Not available online / Call for pricing and availability
Not Shown	000938-010	COMPLETE DOOR ASSY. - MJ	1	EA	Not available online / Call for pricing and availability
Not Shown	000938-110	COMPLETE DOOR ASSY. - MJBR	1	EA	Not available online / Call for pricing and availability
Not Shown	000938-004	COMPLETE DOOR ASSY. - SG	1	EA	Not available online / Call for pricing and availability
Not Shown	000938-104	COMPLETE DOOR ASSY. - SGBR	1	EA	Not available online / Call for pricing and availability
Not Shown	000938-000	DOOR, ASSEMBLY 30" - NLA	1	EA	NO LONGER AVAILABLE





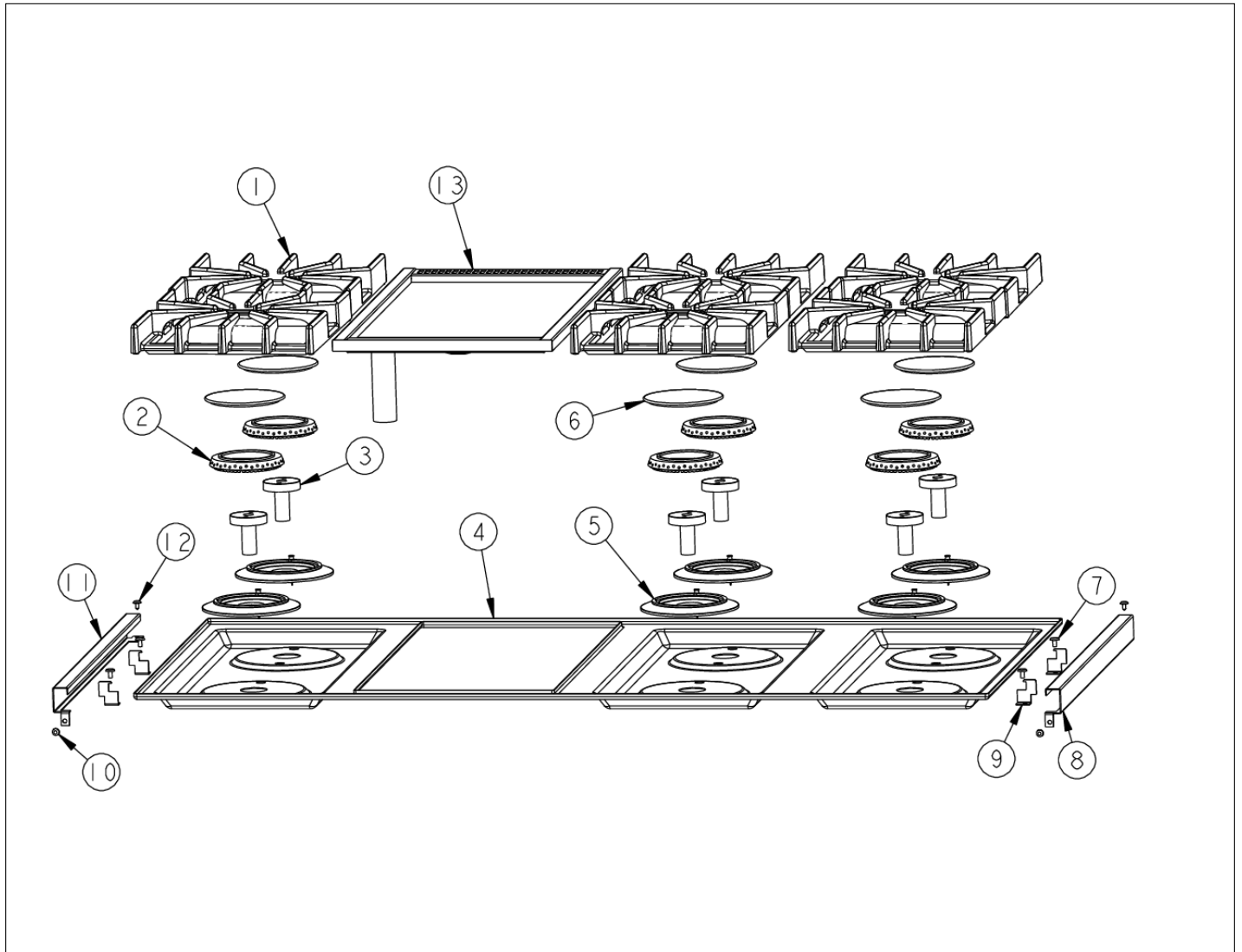
Item	Part No.	Name	Qty	Uom	NOTES
Not Shown	000938-100	DOOR ASSEMBLY, 48" RH (BR)	1	EA	NO LONGER AVAILABLE, Not available online / Call for pricing and availability
Not Shown	000938-012	COMPLETE DOOR ASSY. - VB	1	EA	Not available online / Call for pricing and availability
Not Shown	000938-112	COMPLETE DOOR ASSY. - VBBR	1	EA	Not available online / Call for pricing and availability
Not Shown	000938-006	COMPLETE DOOR ASSY. - WH	1	EA	Not available online / Call for pricing and availability
Not Shown	000938-106	COMPLETE DOOR ASSY. - WHBR	1	EA	Not available online / Call for pricing and availability

RH OVEN MAIN CAVITY



Item	Part No.	Name	Qty	Uom	NOTES
1	003083-000	#8-18 x 1/2" PHIL FLAT TOP TRUSS HD AB SCREW	1	EA	
2	B1007913	HINGE CLIP (DESIGNER TIME PIECE)	1	EA	
3	000991-000	FRONT FRAME 48" RH WELD ASSY	1	EA	NO LONGER AVAILABLE
4	PD020060	10 X 1/2" (5/16)HEX WSHER HD.(T)A	1	EA	
5	PD020032	SRW-8(A)X3/8"PH.WFR HD 7/16DIA*NICL	1	EA	
6	005311-000	LAMP, OVEN, 120V/25W	1	EA	
7	E9107933	BROILER PAN	1	EA	
8	E9107934	BROILER PAN INSERT - NLA	1	EA	
9	PD020048	NO.10 X 1/2 TEK 410 SS SCREW	1	EA	
10	G9104482	CONVECTION FAN COVER ASSY (VGSC306)	1	EA	
11	PE050057	CONVECTION FAN (VGSC306)	1	EA	
12	A1002596	CONVECTION FAN COVER (VDSC)	1	EA	
13	A2008467	INSULATION SHIELD	1	EA	
14	PD020010	10 X 3/8 GREEN GROUNDING SCREW	1	EA	
15	A2002595	CONVECTION FAN BOX (VDSC)	1	EA	
16	M0210443	SCREW-E SM VM0210443	1	EA	
17	PD020013	TYPE "AB" #6 X 3/8 PH PAN HD. SMS	1	EA	
18	PC020295	HINGE RECEIVER ASSEMBLY	1	EA	
19	PD020004	10X3/8PH.HD.TYPE 25 REPL PD040125	1	EA	
20	PB060044	OVEN RK VDSC30/48RH REPL PB060019	1	EA	
21	PB060030	RACK SUPT REPL PB060010	1	EA	
22	PD020063	SCREW-#8(A) X 3/8"PH WFR HD/BK OXID	1	EA	
23	E91012614	LIGHT HOLE COVER	1	EA	

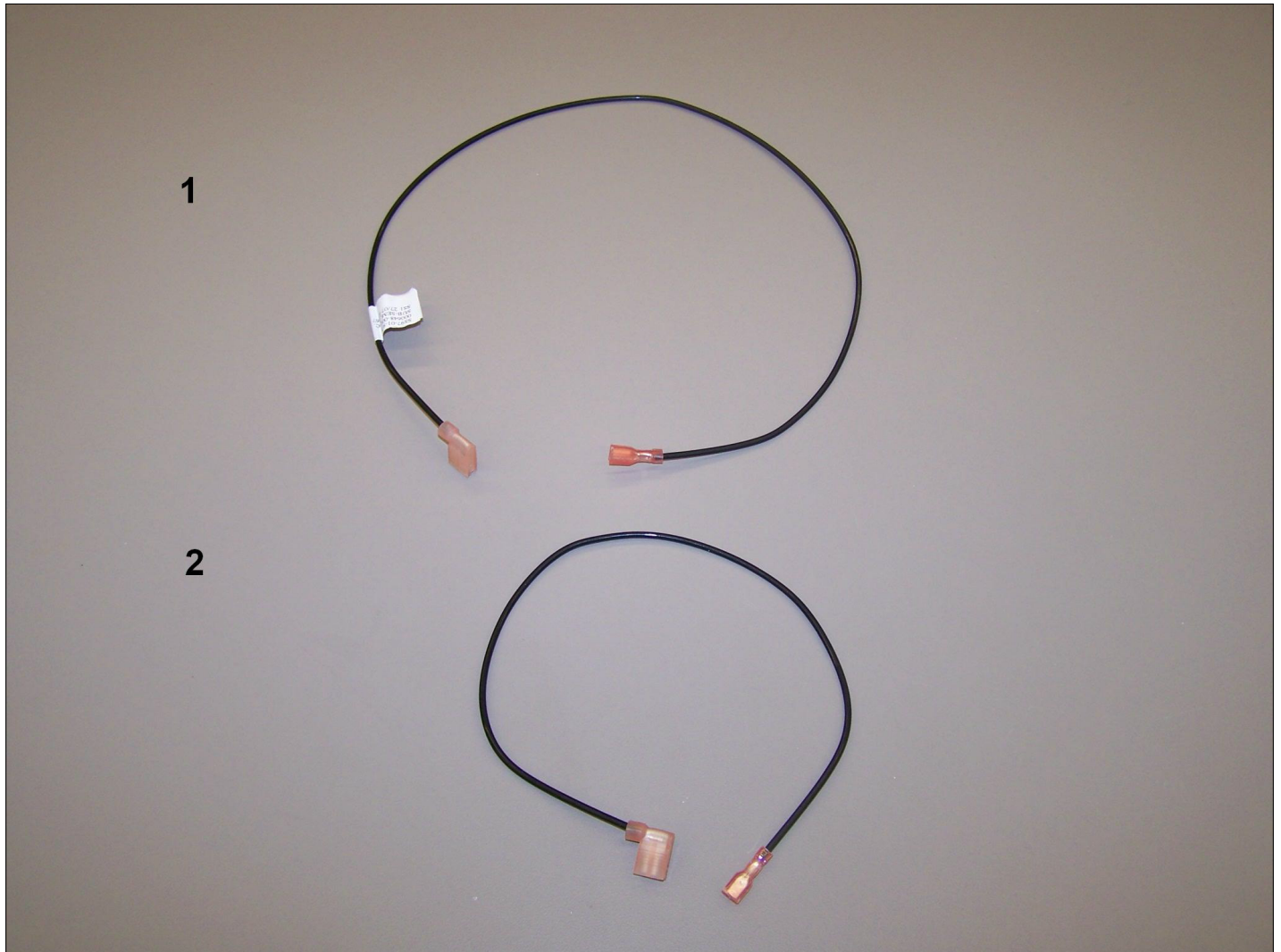
SURFACE COOKING AREA





Item	Part No.	Name	Qty	Uom	NOTES
1	PA060054	Burner Grate - BK		EA	
2	PB050063	Burner Head		EA	
Not Shown	NOTE	(Before (12/18/07)		EA	
2	018200-000	ADJUSTED SEALED BURNER HEAD		EA	
Not Shown	NOTE	(After (12/18/07)		EA	
3	PA010100	Burner Venturi		EA	
Not Shown	NOTE	(Before (12/18/07)		EA	
4	E9109801BK	48" SEALED COOKTOP 6BG & 6BQ *BK*		EA	
Not Shown	E9109801WH	48" SEALED COOKTOP 6BG & 6BQ *WH*		EA	NO LONGER AVAILABLE
5	PB050081	BURNER BASE ASM		EA	
Not Shown	NOTE	(Includes Ignighter) - Before 12/18/97		EA	
5	003322-040	SEALED BURNER BASE, TURNED FINISH		EA	
Not Shown	NOTE	(Includes Ignighter) - After 12/18/97		EA	
6	PA080083	D BURNER CAP *MATTE BLACK*		EA	
7	PD020033	SRW-#10-24X1/2"T(23)PH.WFR HD (NKL)		EA	
8	B20012923	Side Trim - RH (SS)		EA	
Not Shown	C93012923BR	Side Trim - RH (BR)		EA	
9	A2007858	SIDE TRIM BRKT		EA	
10	PD020004	10X3/8PH.HD.TYPE 25 REPL PD040125		EA	
11	B20012924	Side Trim - LH (SS)		EA	
Not Shown	C93012924BR	Side Trim - LH (BR)		EA	
12	PD020032	SRW-8(A)X3/8"PH.WFR HD 7/16DIA*NICL		EA	
13	003208-000	12" SEALED GRIDDLE FRAME ASSY		EA	
#	009197-000	#6-32 X 5/8 18-8 SS NC SOC CAP		EA	

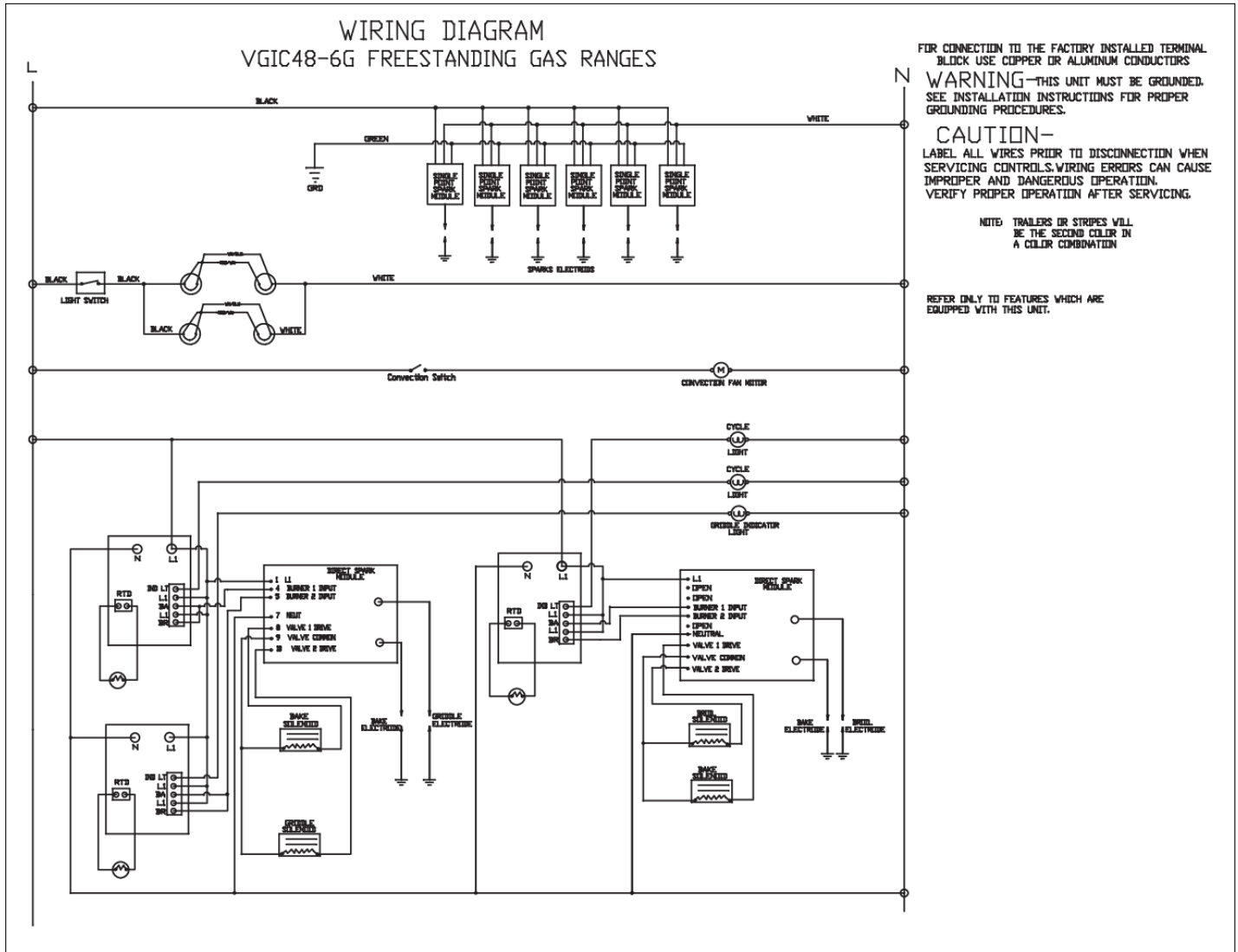
TOP BURNER IGNITER WIRES



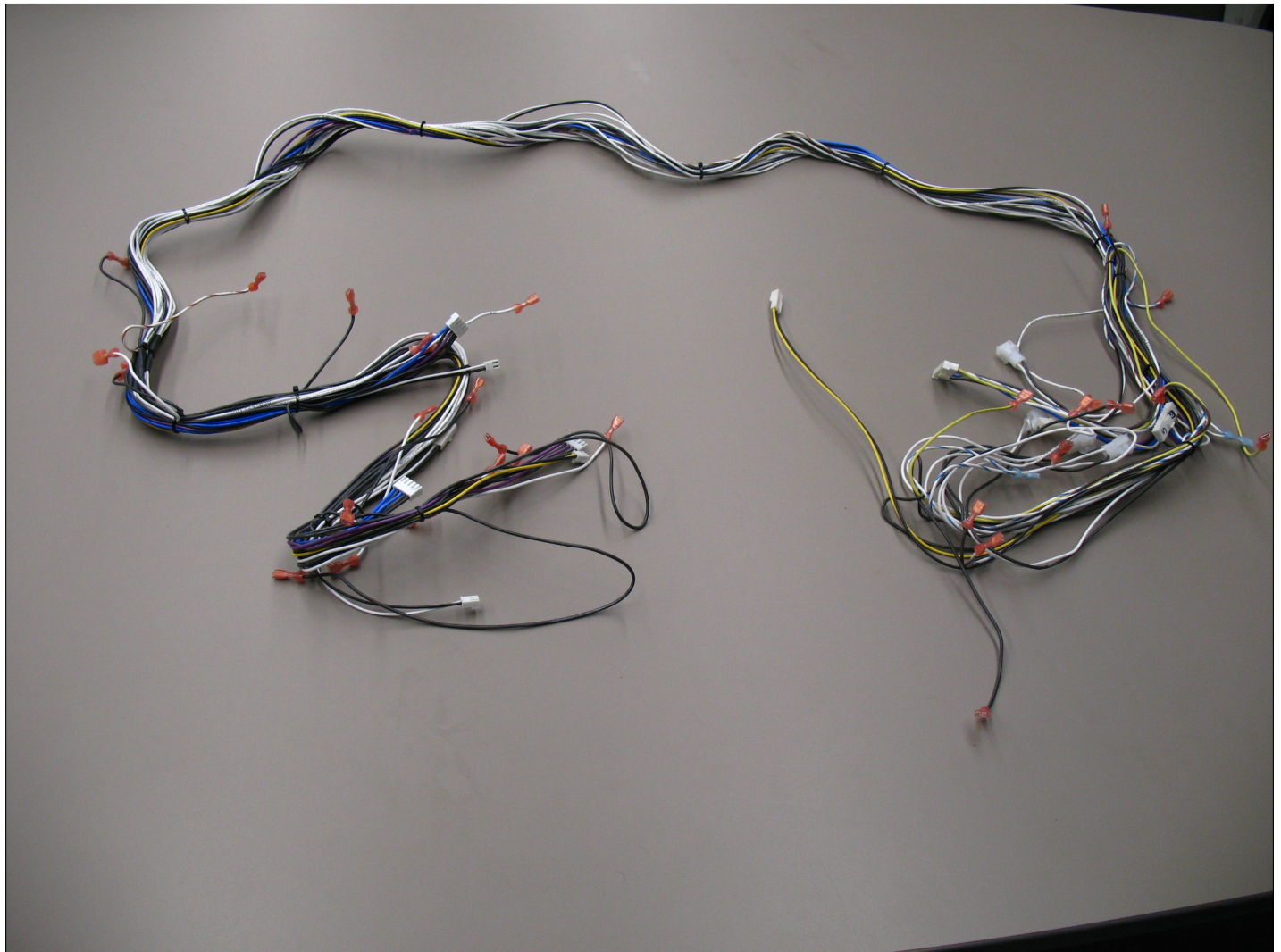


Item	Part No.	Name	Qty	Uom	NOTES
1	006766-000	IRIS IGNITOR WIRE, BACK BURNER	1	EA	
2	000647-000	IRIS IGNITOR WIRE, FRONT BURNER	1	EA	

WIRING DIAGRAM

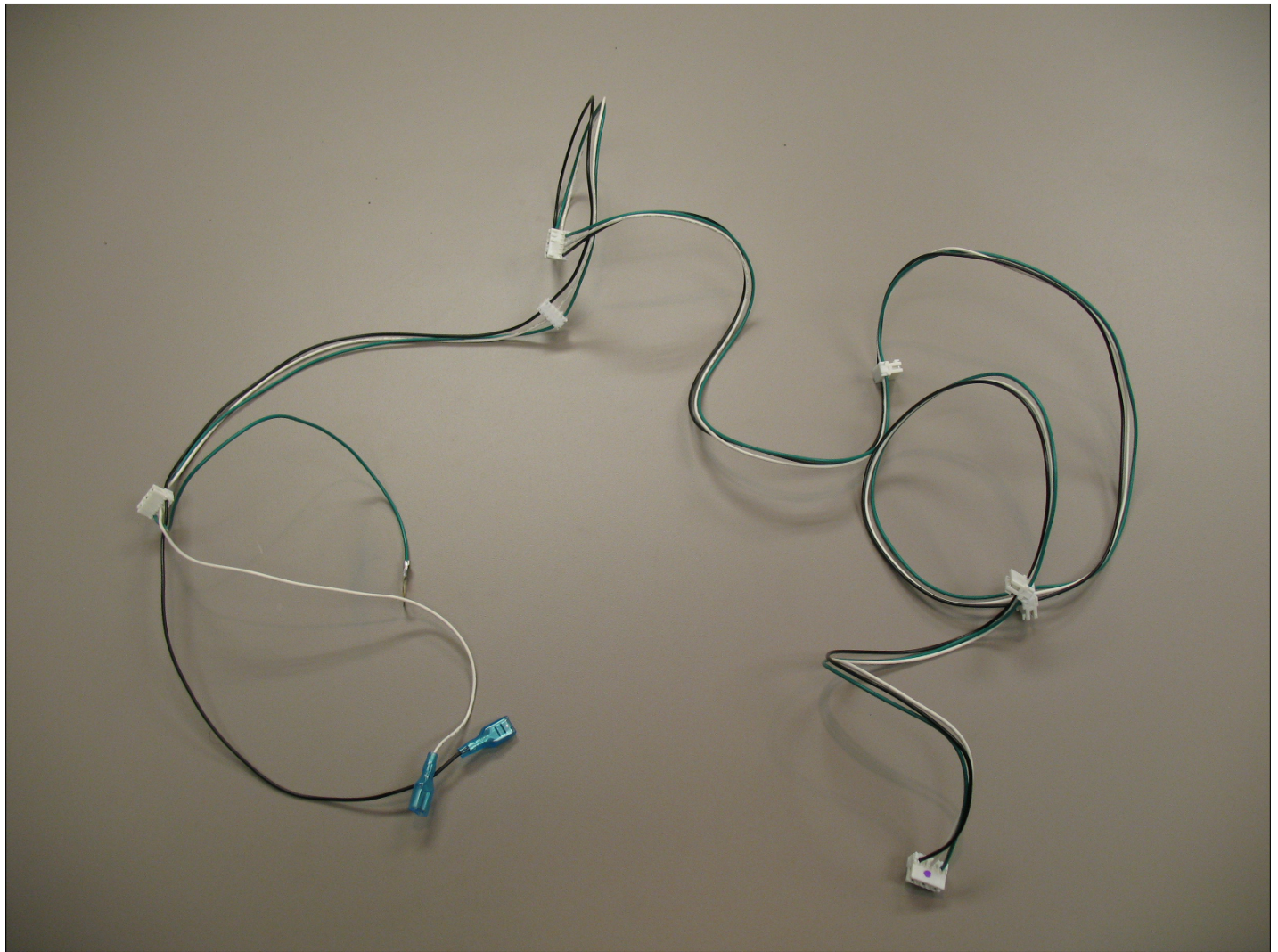


WIRING HARNESS





Item	Part No.	Name	Qty	Uom	NOTES
1	001735-000	HARNESS, WIRE, VGIC486G - NLA	1	EA	
Not Shown	NOTE	(BEFORE 09/05/07)		EA	
1	001734-000	HARNESS,WIRE VGIC48-4GQ	1	EA	
Not Shown	NOTE	(ON OR AFTER 09/05/07)		EA	





Item	Part No.	Name	Qty	Uom	NOTES
1	PE070891	IRIS HARNESS - 48"	1	EA	



Appendix A:Pages Index

001754-000 POWER DISCONNECT HAR 1
001914-000 BROIL IGNITOR WIRE 2
BAKE IGNITER WIRE 3
BROILER AREA 4
BURNER BOX INTERIOR 5
CONTROL AREA 6
DRIP TRAY 7
G4008493 SUPPLY CORD 8
GRIDDLE SUBASSEMBLY 9
LH BAKE BURNER AREA 10
LH DOOR ASSEMBLY 11
LH OVEN MAIN CAVITY 12
LIGHT EXT. HARNESS 13
LOWER UNIT AND SIDE PANELS 14
PE070891 Iris Harness 24
REAR ELECTRONICS AND GAS FLOW 15
REAR SHEET METAL 16
RH BAKE BURNER AREA 17
RH DOOR ASSEMBLY 18
RH OVEN MAIN CAVITY 19
SURFACE COOKING AREA 20
TOP BURNER IGNITER WIRES 21
WIRING DIAGRAM 22
WIRING HARNESS 23



Appendix B:Parts Index

000042-000	18	000938-014	18
000075-000	11, 18	000938-100	18
000080-000	11	000938-102	18
000268-000	11, 18	000938-103	18
000381-000	6	000938-104	18
000381-006	6	000938-105	18
000447-000	6	000938-106	18
000447-006	6	000938-107	18
000448-000	6	000938-108	18
000448-006	6	000938-109	18
000594-000	11, 18	000938-110	18
000633-000	6	000938-111	18
000642-000	10	000938-112	18
000647-000	21	000938-113	18
000845-000	6	000938-114	18
000847-000	15	000939-000	11
000863-000	15	000946-000	11
000916-000	15	000946-002	11
000917-000	15	000946-003	11
000918-000	15	000946-004	11
000919-000	15	000946-005	11
000921-000	15	000946-006	11
000922-000	15	000946-007	11
000923-000	15	000946-008	11
000927-000	15	000946-009	11
000930-000	6	000946-010	11
000932-000	11, 18	000946-011	11
000938-000	18	000946-012	11
000938-002	18	000946-013	11
000938-003	18	000946-014	11
000938-004	18	000946-100	11
000938-005	18	000946-102	11
000938-006	18	000946-103	11
000938-007	18	000946-104	11
000938-008	18	000946-105	11
000938-009	18	000946-106	11
000938-010	18	000946-107	11
000938-011	18	000946-108	11
000938-012	18	000946-109	11
000938-013	18	000946-110	11
		000946-111	11



000946-112	11	003348-012	14
000946-113	11	003348-013	14
000946-114	11	003348-014	14
000958-000	9	003349-000	14
000967-000	16	003349-002	14
000970-000	9	003349-003	14
000971-000	9	003349-004	14
000991-000	19	003349-005	14
001014-000	12	003349-006	14
001141-000	18	003349-007	14
001142-000	18	003349-008	14
001144-000	11	003349-009	14
001145-000	11	003349-010	14
001348-000	4	003349-011	14
001394-042	5	003349-012	14
001394-043	5	003349-013	14
001396-000	5	003349-014	14
001734-000	23	003439-000	14
001735-000	23	003517-000	6
001754-000	1	005311-000	12, 19
001914-000	2	005990-000	5
002513-000	9	006197-000	17
002884-000	6	006766-000	21
002888-000	5	008091-000	9
002889-000	5	009197-000	20
003083-000	12, 19	00972-000	9
003143-000	3	013213-000	6
003208-000	20	018200-000	20
003226-000	15	050172-000	6
003322-040	20	068456-000	17
003348-000	14	068457-000	10
003348-002	14	A1001138	6
003348-003	14	A1002596	19
003348-004	14	A1005571	10
003348-005	14	A1007861	9
003348-006	14	A2000210	5
003348-007	14	A20010137	17
003348-008	14	A20010139	10
003348-009	14	A20010657	9
003348-010	14	A20010693	7
003348-011	14	A20011234	5



A20013319	5	C9002504BU	11
A20015315	18	C9002504CB	11
A2002189	18	C9002504EP	11
A2002367	18	C9002504FG	11
A2002497	18	C9002504GG	11
A2002595	19	C9002504LE	11
A2004424	17	C9002504MJ	11
A2004434	17	C9002504SG	11
A2004481	14	C9002504VB	11
A2005579	10	C9002504WH	11
A2005583	16	C9002528AL	18
A2005584	14	C9002528BK	18
A2007858	20	C9002528BT	18
A2008467	19	C9002528BU	18
B1007913	12, 19	C9002528CB	18
B2001241	14	C9002528EP	18
B20012923	20	C9002528FG	18
B20012924	20	C9002528GG	18
B2001448	4	C9002528LE	18
B2002504	11	C9002528MJ	18
B2002528	18	C9002528SG	18
B2004415	17	C9002528VB	18
B2005589	4	C9002528WH	18
B2005683	14	C9005683AL	14
B9202374	6	C9005683BK	14
C9001241AL	14	C9005683BT	14
C9001241BK	14	C9005683BU	14
C9001241BT	14	C9005683CB	14
C9001241BU	14	C9005683EP	14
C9001241CB	14	C9005683FG	14
C9001241EP	14	C9005683GG	14
C9001241FG	14	C9005683LE	14
C9001241GG	14	C9005683MJ	14
C9001241LE	14	C9005683SG	14
C9001241MJ	14	C9005683VB	14
C9001241SG	14	C9005683WH	14
C9001241VB	14	C93012923BR	20
C9001241WH	14	C93012924BR	20
C9002504AL	11	E91012614	19
C9002504BK	11	E9102668	11
C9002504BT	11	E9107933	19



E9107934	19	PB050080	10
E9109801BK	20	PB050081	20
E9109801WH	20	PB060030	12, 19
G30010697	7	PB060044	19
G30013336	7	PB060046	12
G3001584	6	PB070145	11, 11, 18, 18
G3001876	4	PC020222	11, 18
G4008493	8	PC020223	18
G9104482	19	PC020295	12, 19
G93011461PVD	7	PC030017	14
J2101749	7	PC040010	5
M0210443	19	PD010003	6
PA010100	20	PD010012	6, 15
PA020056	15	PD010019	11, 18
PA020058	6	PD020002	11, 18
PA050086	5	PD020004	5, 6, 9, 11, 12, 14, 18, 19, 20
PA060054	20	PD020010	19
PA070003	6	PD020013	12, 19
PA080075	5	PD020014	15
PA080083	20	PD020032	11, 12, 14, 18, 19, 20
PB010206	6	PD020033	6, 20
PB010207	6	PD020044	6
PB010209	6	PD020046	6
PB020136	10, 15	PD020048	4, 10, 12, 16, 17, 19
PB020192	5	PD020060	4, 10, 12, 14, 15, 16, 17, 19
PB020193	5	PD020063	19
PB030006	6	PD020076	5
PB040027	4	PD020079	7
PB040040	4	PD030006	6, 11
PB040062	10	PD030018	4, 10, 17
PB040170	17	PD030029	6
PB040171	4	PD030119	5
PB040178	4	PD040004	7
PB040190	9	PD040028	7
PB040194	5	PDB050074	9
PB040217	5	PE010030	11
PB040229	10	PE010031	11
PB040246	17	PE010068	11
PB040265	17	PE010076	11
PB040273	10	PE010081	6
PB050063	20	PE010082	6



PE030001PVD 11, 18
PE030005 18
PE030008 11
PE030012PVD 18
PE030014PVD 11
PE050001 15
PE050016 6
PE050023 6
PE050024 6
PE050057 19
PE050206 4, 9, 12
PE060030 18
PE060031 18
PE060032 11
PE060039 18
PE060045 18
PE060046 11
PE060048 11
PE060049 11
PE070245 13
PE070891 24
PK000007 5
PK000008 5