

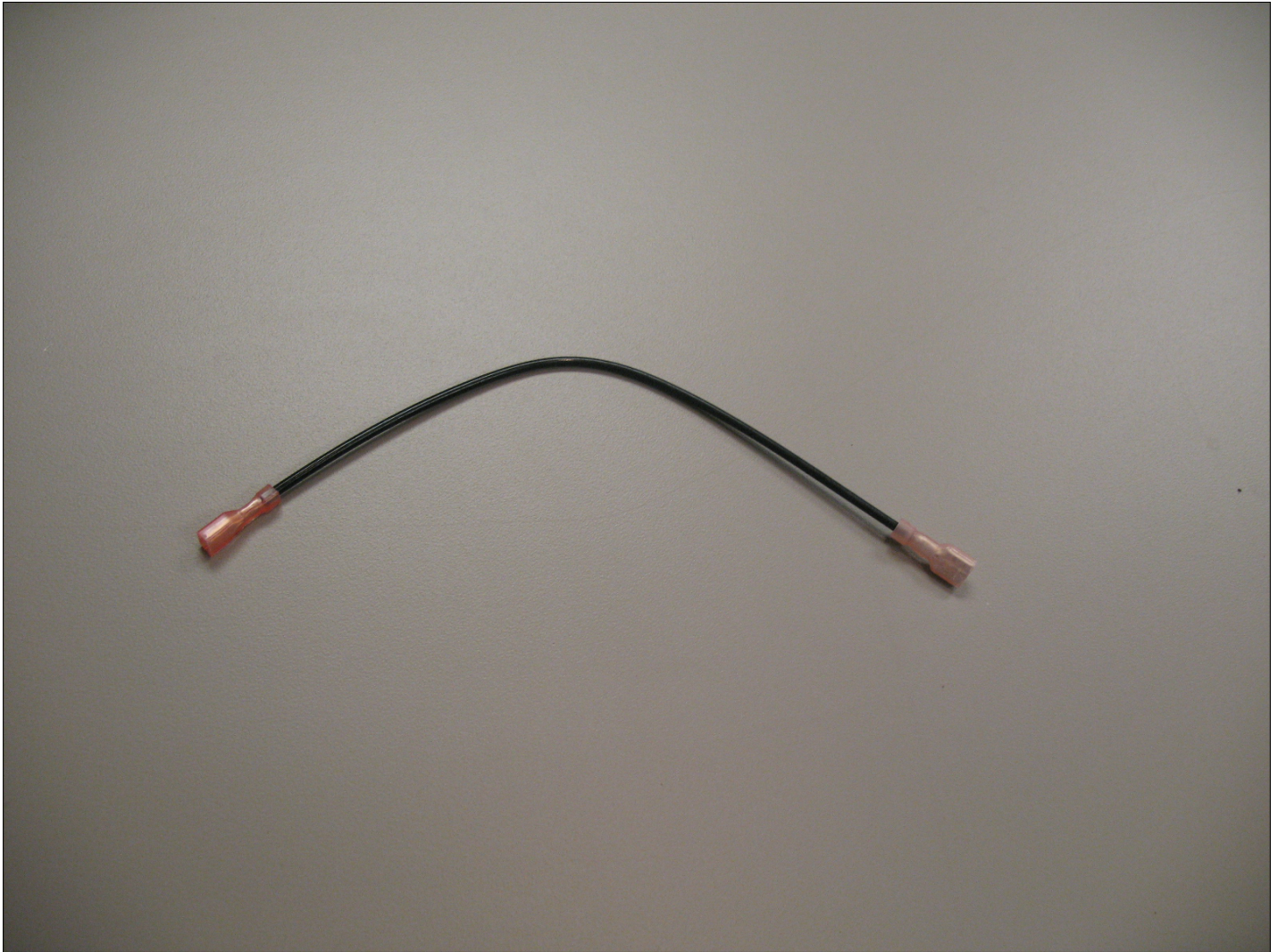
VGIC488-4GQ

000649-000 GRILL IGNITER WIRE	1
001754-000 POWER DISCONNECT HAR	2
001911-000 BAKE IGNITER WIRE	3
001914-000 BROIL IGNITER WIRE	4
001992-000 LH BAKE IGNITER WIRE	5
001993-000 GRIDDLE IGNITER WIRE	6
BROILER AREA	7
BURNER BOX INTERIOR	8
CONTROL AREA	9
DRIP TRAY	10
G4008493 SUPPLY CORD	11
GRIDDLE SUBASSEMBLY	12
GRILL SUBASSEMBLY	13
LH DOOR ASSEMBLY	14
LH OVEN BAKE AREA	15
LH OVEN MAIN CAVITY	16
LOWER UNIT AND SIDE PANELS	17
PE070245 LIGHT EXT. HARNESS	18
PE070891 IRIS HARNESS	19
REAR ELECTRONICS AND GAS FLOW	20
REAR SHEET METAL	21
RH DOOR ASSEMBLY	22
RH OVEN BAKE AREA	23
RH OVEN MAIN CAVITY	24
SURFACE COOKING AREA	25
TOP BURNER IGNITER WIRES	26
WIRING HARNESS	27
Appendix A:Pages Index	A
Appendix B:Parts Index	B



VGIC488-4GQ

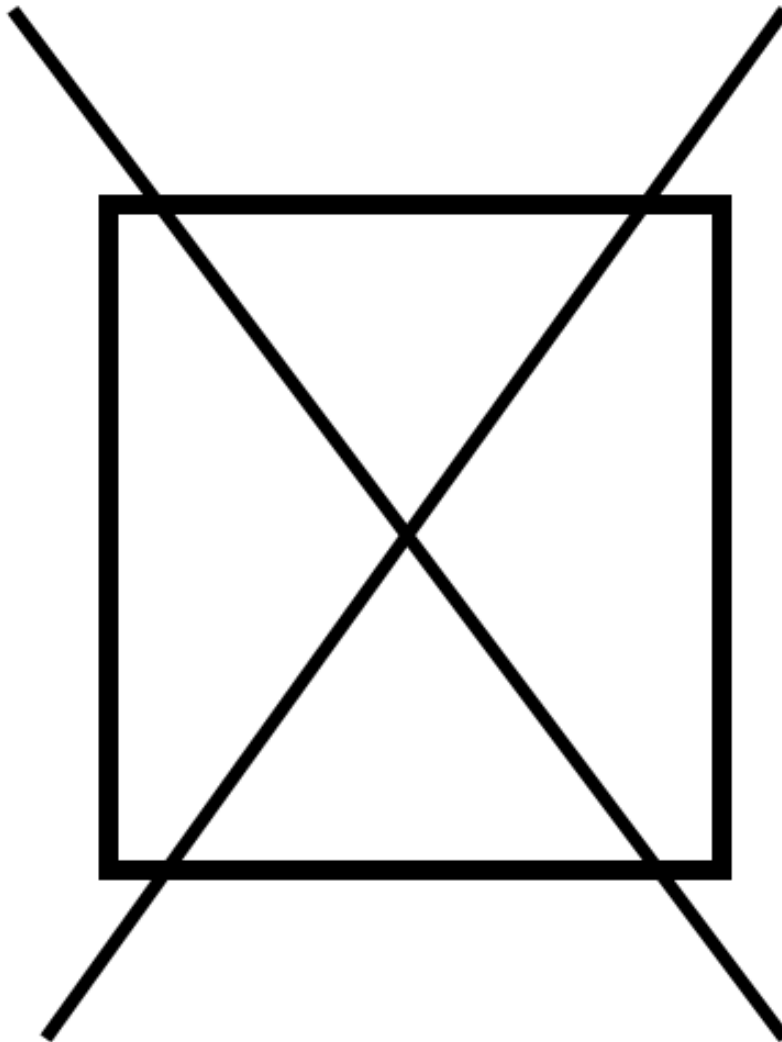
000649-000 GRILL IGNITER WIRE





Item	Part No.	Name	Qty	Uom	NOTES
1	000649-000	IRIS IGNITOR WIRE, GRILL	1	EA	

NON
ILLUSTRATED PART

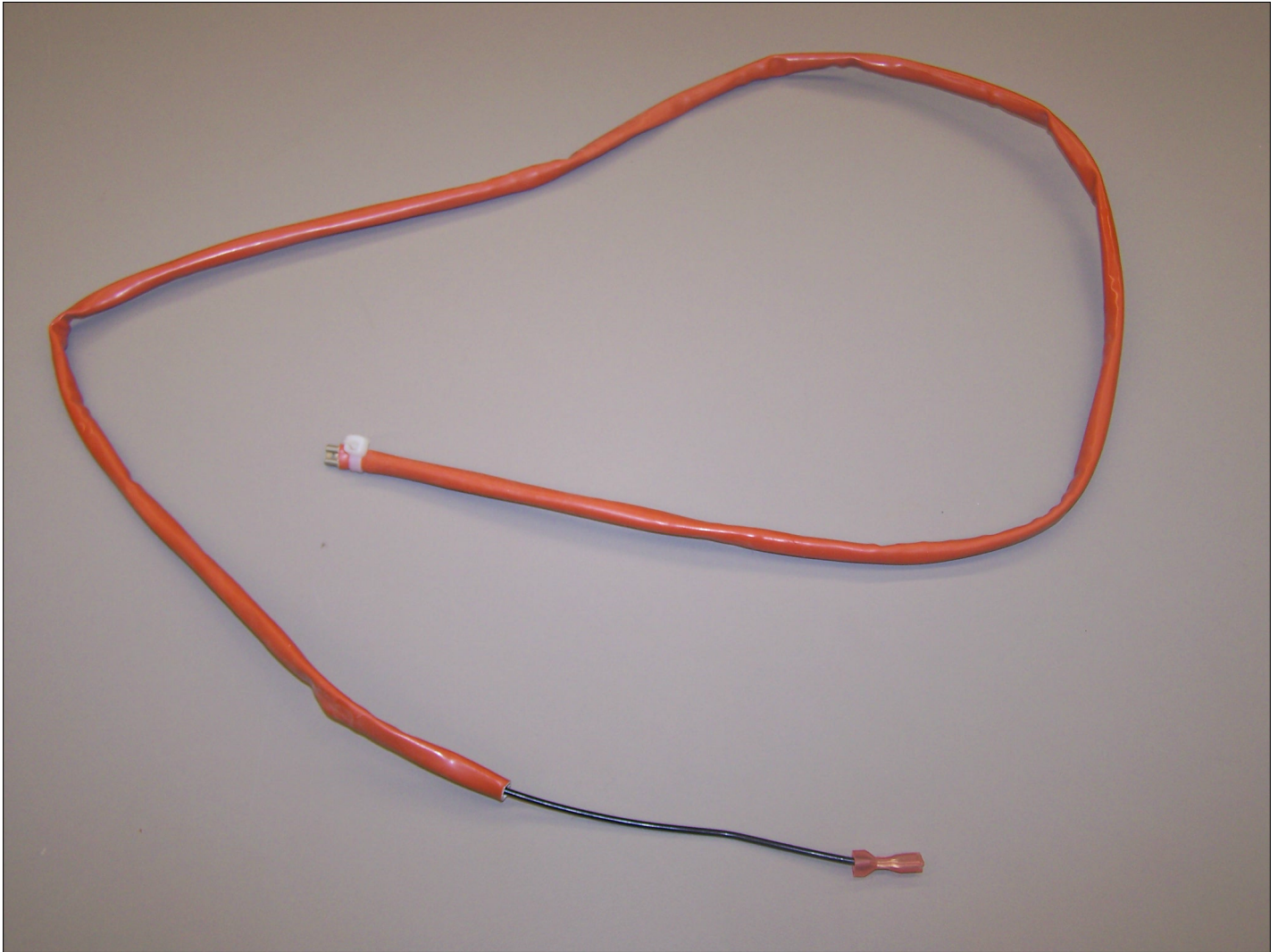




Item	Part No.	Name	Qty	Uom	NOTES
1	001754-000	HARNESS POWER DISCONNECT	1	EA	



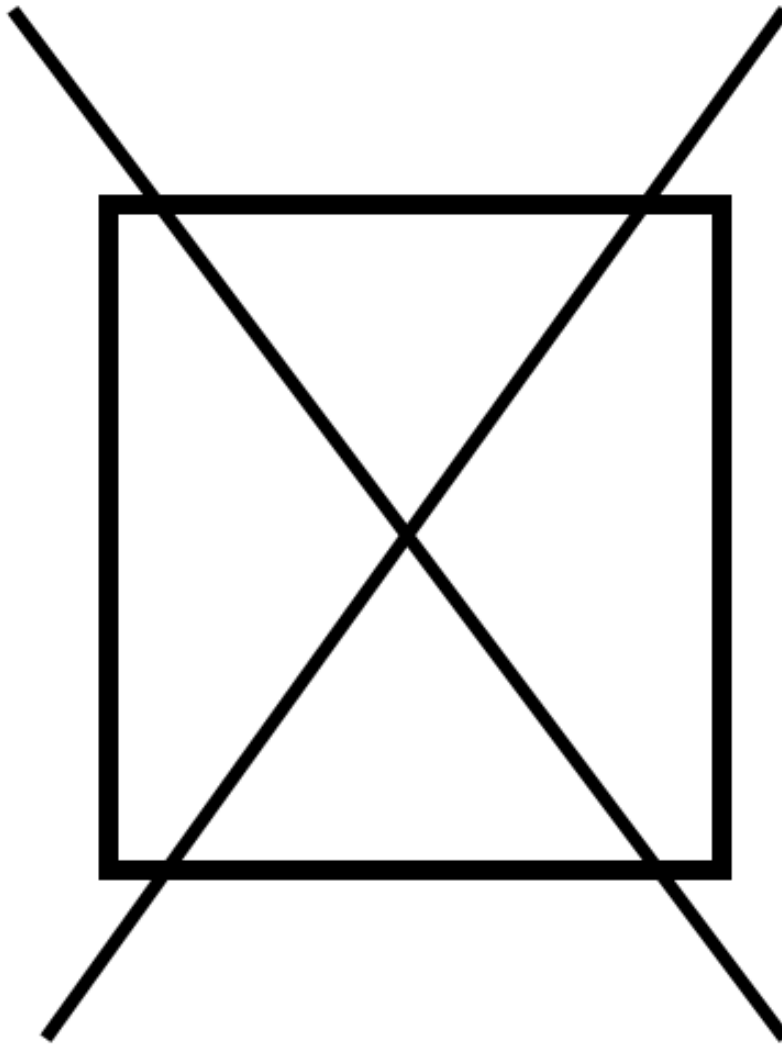
001911-000 BAKE IGNITER WIRE





Item	Part No.	Name	Qty	Uom	NOTES
1	001911-000	WIRE, ASSY, BAKE IGNITOR	1	EA	

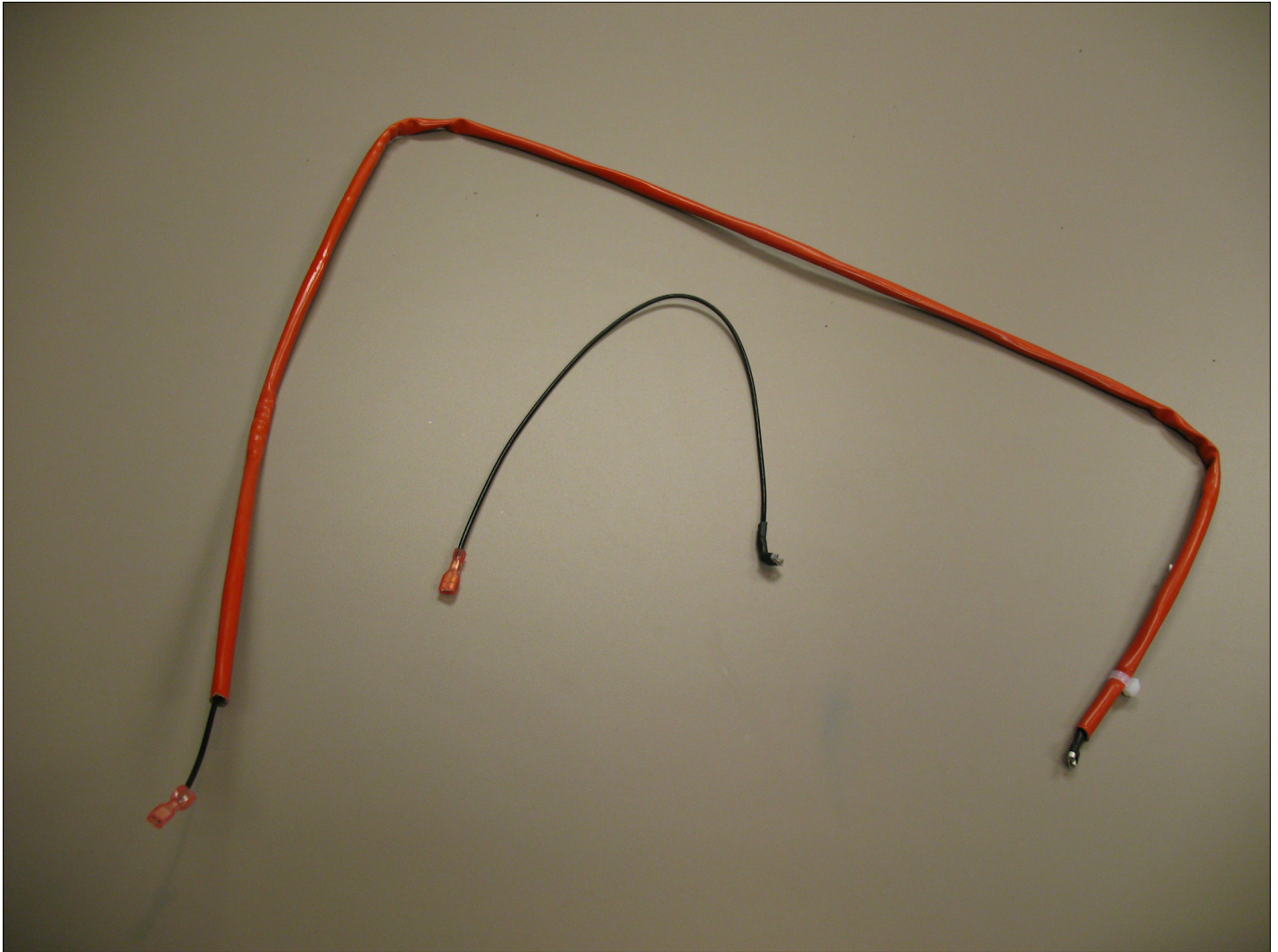
NON
ILLUSTRATED PART





Item	Part No.	Name	Qty	Uom	NOTES
1	001914-000	WIRE, ASSY, BROIL IGNITOR	1	EA	

001992-000 LH BAKE IGNITER WIRE



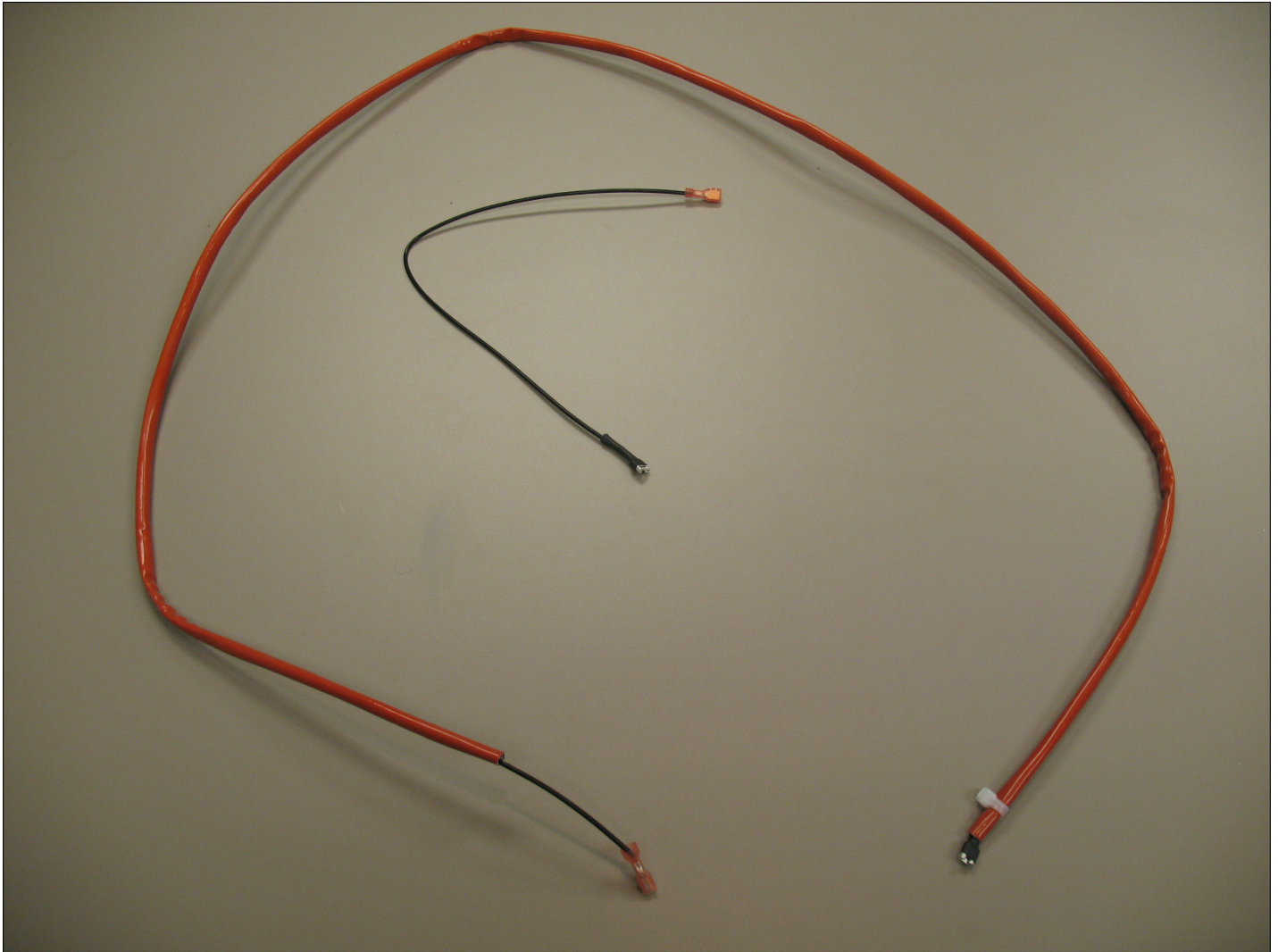


Item	Part No.	Name	Qty	Uom	NOTES
1	001992-000	WIRE,ASSY,LH BAKE IGNITOR	1	EA	



VGIC488-4GQ

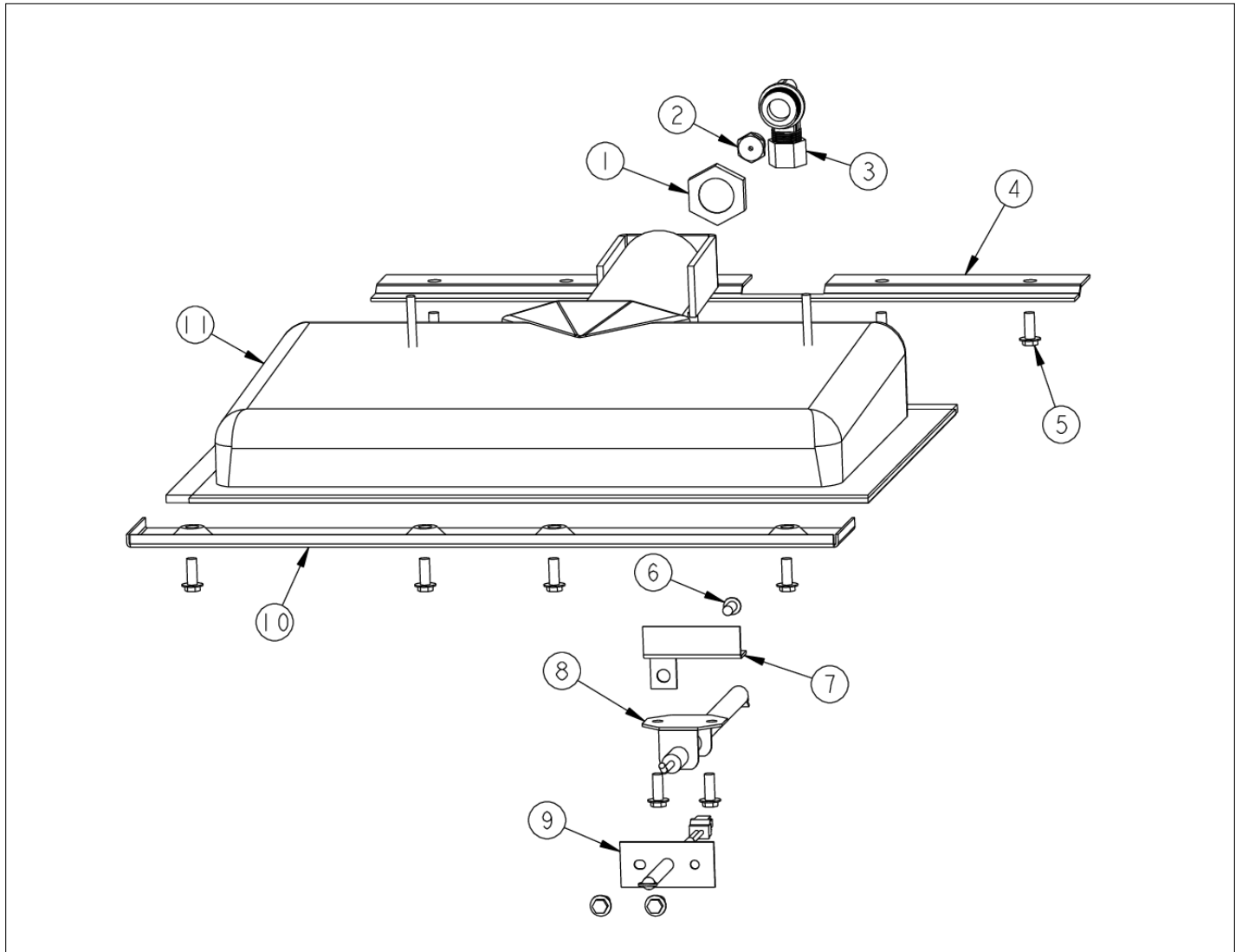
001993-000 GRIDDLE IGNITER WIRE





Item	Part No.	Name	Qty	Uom	NOTES
1	001993-000	WIRE,ASSY,GRIDDLE IGNITOR	1	EA	

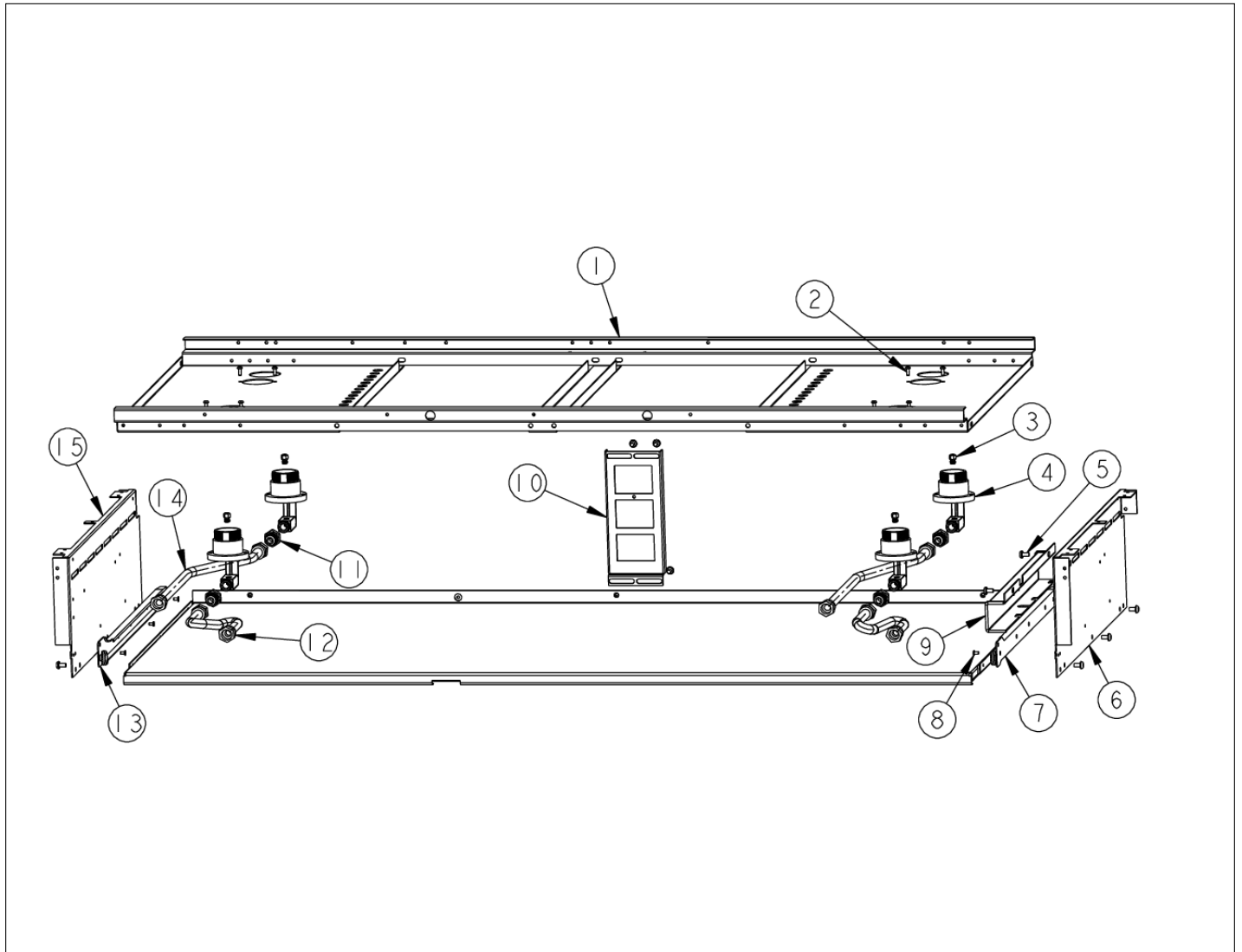
BROILER AREA





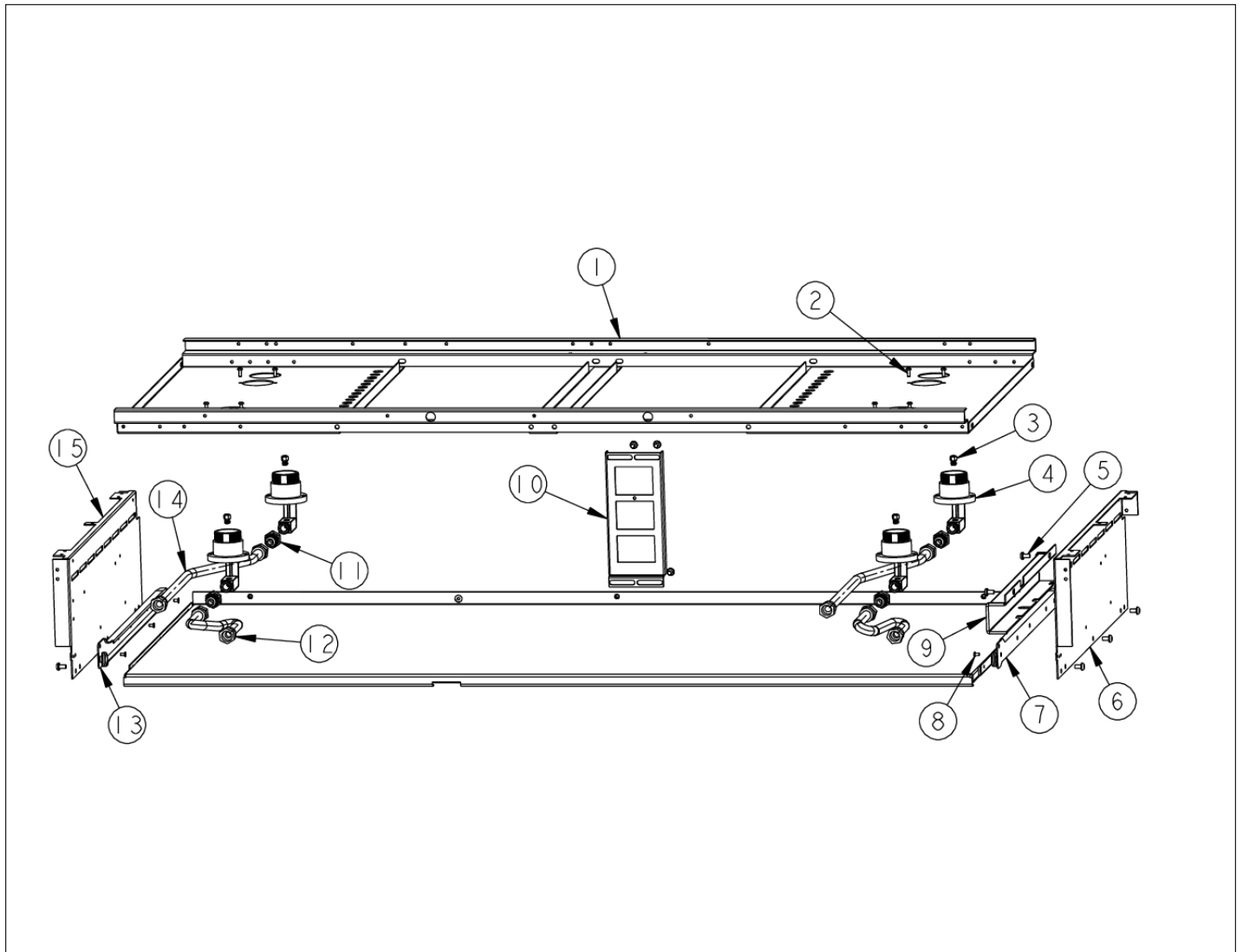
Item	Part No.	Name	Qty	Uom	NOTES
1	PD030018	PALNUT - 3/4-16	1	EA	
2	PB040040	ORIFICE-IR BURNER (VGSC)	1	EA	
2	PB040027	IR BUR.SPUD ORF. - #56 LP	1	EA	
3	PB040178	90 DEGREE ORIFICE FITTING (VGSC306)	1	EA	
4	B2005589	REAR BROILER BRACKET	1	EA	Not available online / Call for pricing and availability
5	PD020048	NO.10 X 1/2 TEK 410 SS SCREW	1	EA	
6	PD020060	10 X 1/2" (5/16)HEX WSHR HD.(T)A	1	EA	
7	001348-000	BROIL INSULATION RETAINER	1	EA	NO LONGER AVAILABLE
8	PB040171	BROIL IGNITION ELECTRODE	1	EA	
9	PE050206	RTD THERMOSTAT PROBE	1	EA	
10	B2001448	IR BROIL SUPT (FRONT)	1	EA	
11	G3001876	IR BURNER ASSY (VGSC/RC) N/S	1	EA	

BURNER BOX INTERIOR





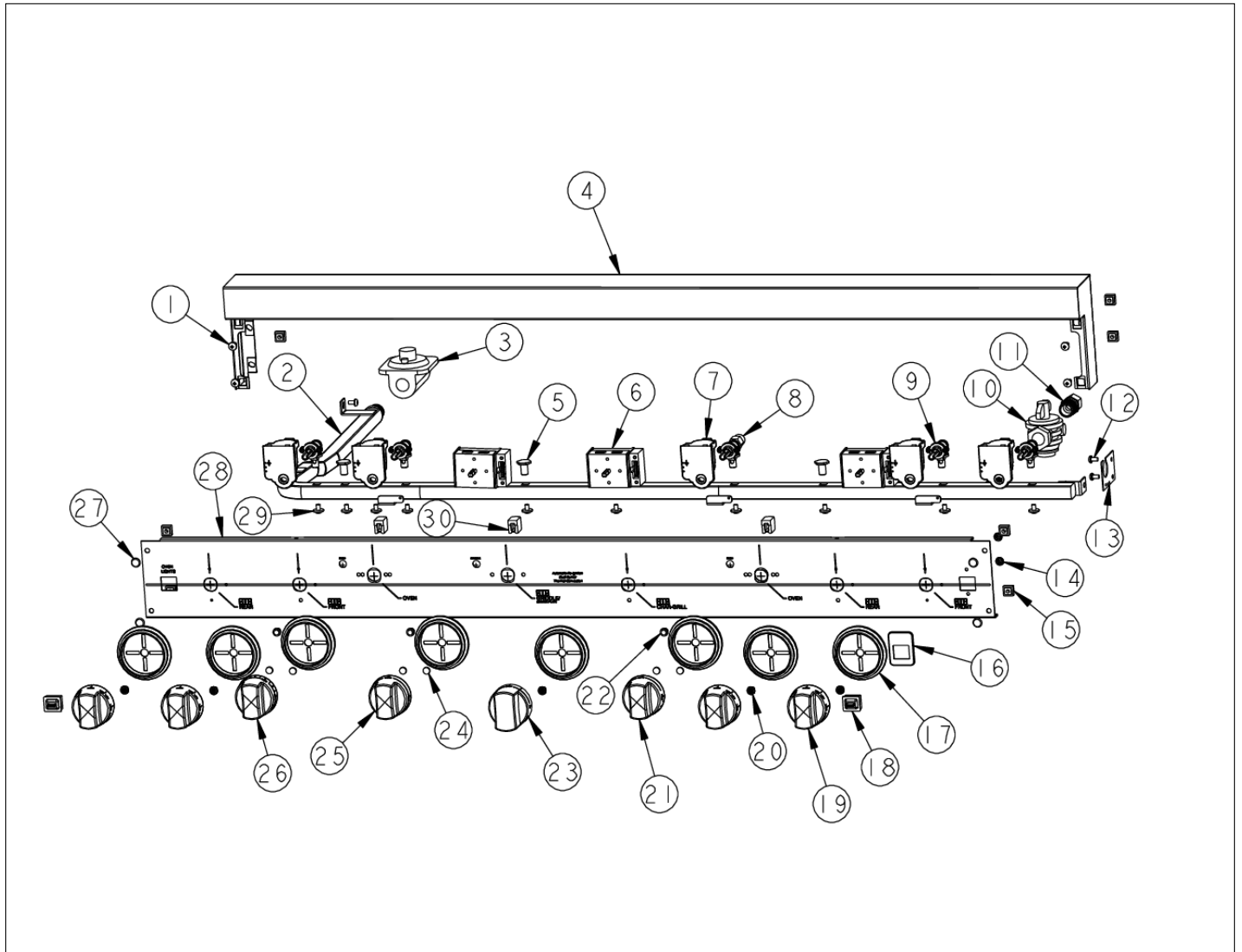
Item	Part No.	Name	Qty	Uom	NOTES
1	A20010184	48" SEALED BURNER SUPPORT	1	EA	
2	PD020076	6-32 X 3/8" PHILL PAN MS	1	EA	
3	PB040194	Orifice - Nat.	1	EA	
Not Shown	NOTE	(Before 12/18/07)		EA	
NI	001396-040	15K NG ORIFICE	1	EA	
Not Shown	NOTE	(After 12/18/07)		EA	
NI	PB040217	L.P. ORIFICE	1	EA	
Not Shown	NOTE	(Before 12/18/07)		EA	
NI	001396-044	13.5K LP ORIFICE	1	EA	
Not Shown	NOTE	(After 12/18/07)		EA	
4	PA080075	Burner Body	1	EA	
Not Shown	NOTE	(Before 12/18/07)		EA	
NI	001394-042	15000 BTU NAT JETHOLDER	1	EA	
Not Shown	NOTE	(After 12/18/07)		EA	
NI	001394-043	13500 BTU LP JETHOLDER	1	EA	
Not Shown	NOTE	(After 12/18/07)		EA	
5	PD020004	10X3/8PH.HD.TYPE 25 REPL PD040125	1	EA	
6	002888-000	BURNER BOX SIDE-RH	1	EA	NO LONGER AVAILABLE, Not available online / Call for pricing and availability
7	PK000008	Drip Tray Guide - RH	1	EA	NO LONGER AVAILABLE
8	PC040010	POP RIVET (.063/GR -.125) GAMD42-A	1	EA	
9	A2000210	WIRE CHANNEL	1	EA	NO LONGER AVAILABLE, Not available online / Call for pricing and availability
10	A20013319	SUPPORT BRACKET	1	EA	NO LONGER AVAILABLE



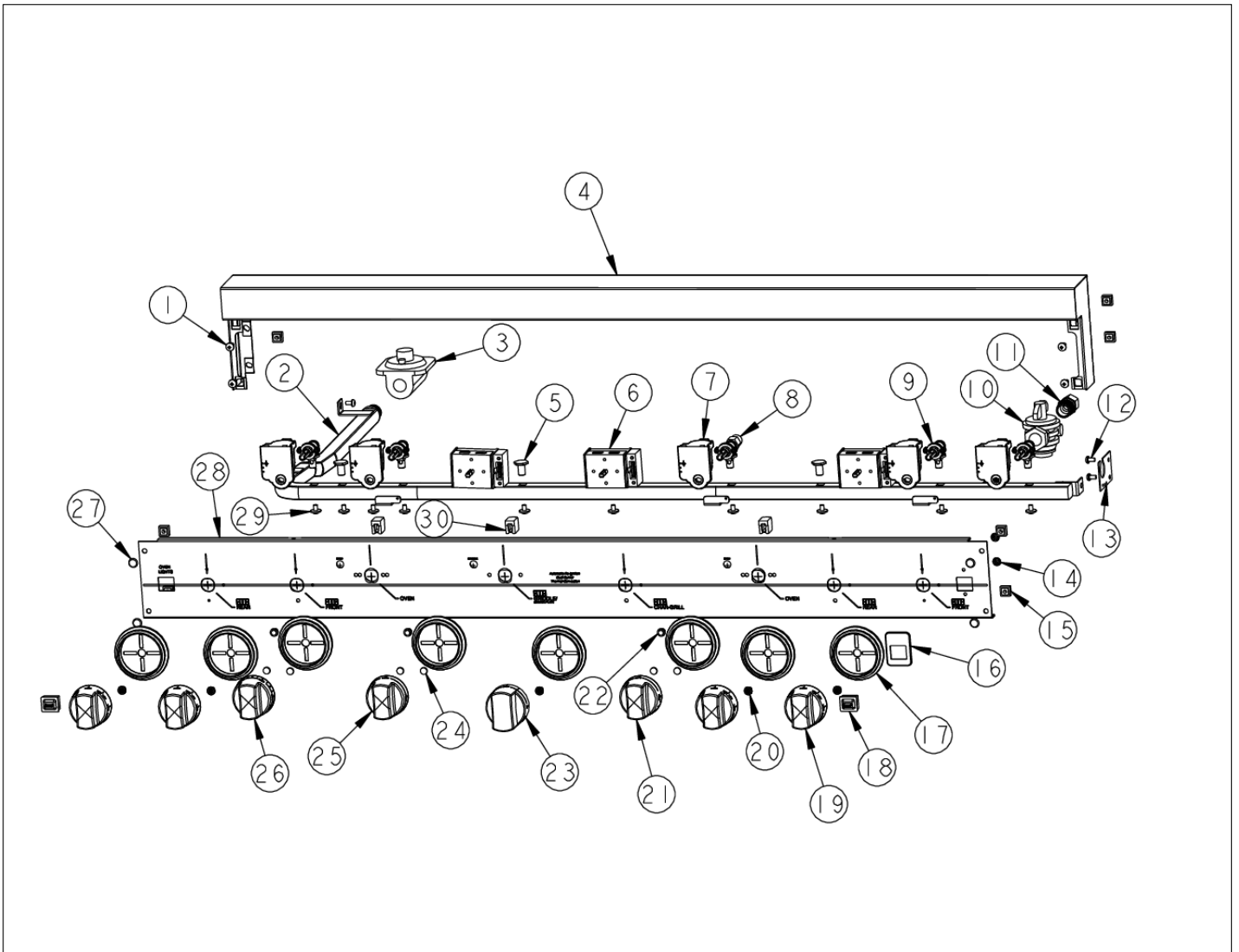


Item	Part No.	Name	Qty	Uom	NOTES
11	PA050086	5/8" MALE FLARE FITTING	1	EA	Not available online / Call for pricing and availability
12	PB020192	10" FLEX TUBING W/CONNECTORS	1	EA	
13	PK000007	DRIP TRAY GUIDE - LH (VGRT)	1	EA	NO LONGER AVAILABLE
14	PB020193	16" FLEX TUBING W/CONNECTORS	1	EA	
15	002889-000	BURNER BOX SIDE-LH	1	EA	NO LONGER AVAILABLE, Not available online / Call for pricing and availability

CONTROL AREA



Item	Part No.	Name	Qty	Uom	NOTES
1	PD010003	10-24 X 1/2 PH.TR.HD.SERD.M.S.	1	EA	
2	000930-000	48" MANIFOLD - NLA	1	EA	
3	PA070003	PRESSURE REGULATOR	1	EA	
4	G3009843	SEALED LANDING LEDGE ASSY 48"	1	EA	
5	002884-000	MANIFOLD PLUG	1	EA	
6	013213-000	TSTAT, SMPS, ELEC, 2-POS, .91" SHAFT, CB	1	EA	
7	PA020058	IRIS SINGLE SPARK MODULE	1	EA	
8	PA010185	GRILL VALVE - NLA	1	EA	
9	003517-000	PA010158 VALVE AND BOLT KIT	1	EA	
10	PB030006	SHUT-OFF VALVE (VGSO166)	1	EA	
11	000845-000	1/2" COMP TO 1/2" MALE NPT ADAPTER	1	EA	
12	PD020004	10X3/8PH.HD.TYPE 25 REPL PD040125	1	EA	
13	A1001138	MANIFOLD BRKT	1	EA	NO LONGER AVAILABLE, Not available online / Call for pricing and availability
14	PD030006	CAPPED WASHER PAL NUT	1	EA	
15	PD030005	SELF RETAINING NUT	1	EA	
16	PE010081	CONVECTION-LABEL/PLATE (CHROME)	1	EA	
16	PE010082	CONVECTION-LABEL/PLATE (*BR*)	1	EA	
17	050172-000	BEZEL, KNOB	1	EA	
17	PB010209	Bezel - BR	1	EA	
18	PE050016	OVEN LIGHT SWITCH - *BK* (WES-GAR)	1	EA	
18	PE050017	OVEN LIGHT SWITCH - *WH* (WES-GAR)	1	EA	
19	PB010206	TOP BURNER KNOB BK	1	EA	
19	PB010207	TOP BURNER KNOB WH	1	EA	Not available online / Call for pricing and availability
20	PD020046	' #8 X 1/2 SCREWS	1	EA	





Item	Part No.	Name	Qty	Uom	NOTES
21	000447-000	THERMOSTAT KNOB SELF-CLEAN (BK)	1	EA	
21	000447-006	OVEN KNOB WITH BROIL(WH)	1	EA	
22	PE050023	OVEN IND. LIGHT (LENS & BEZEL)	1	EA	
23	PA010122	VGRC/IC/RT GRILL KNOB (BK)	1	EA	
23	PA010123	VGRC/IC/RT GRILL KNOB (WH)	1	EA	
24	PD020044	#8-32 X 1/4" PH. TR. HD. M.S.	1	EA	
25	000448-000	GRIDDLE KNOB *BK*	1	EA	
25	000448-006	GRIDDLE KNOB (WH) - NLA	1	EA	NO LONGER AVAILABLE
26	000381-000	OVEN KNOB W/O BROIL	1	EA	
26	000381-006	OVEN KNOB W/O BROIL (WH) - NLA	1	EA	NO LONGER AVAILABLE
27	PD020033	SRW-#10-24X1/2"(23)PH.WFR HD (NKL)	1	EA	
28	B9202373	CTRL PAN- (VGRC485-4GQ)*SLK SCR*	1	EA	
29	PD010012	1/4 x 3/8 VALVE BOLT	1	EA	
30	PE050024	OVEN IND. LIGHT (LIGHT HOUSING)	1	EA	

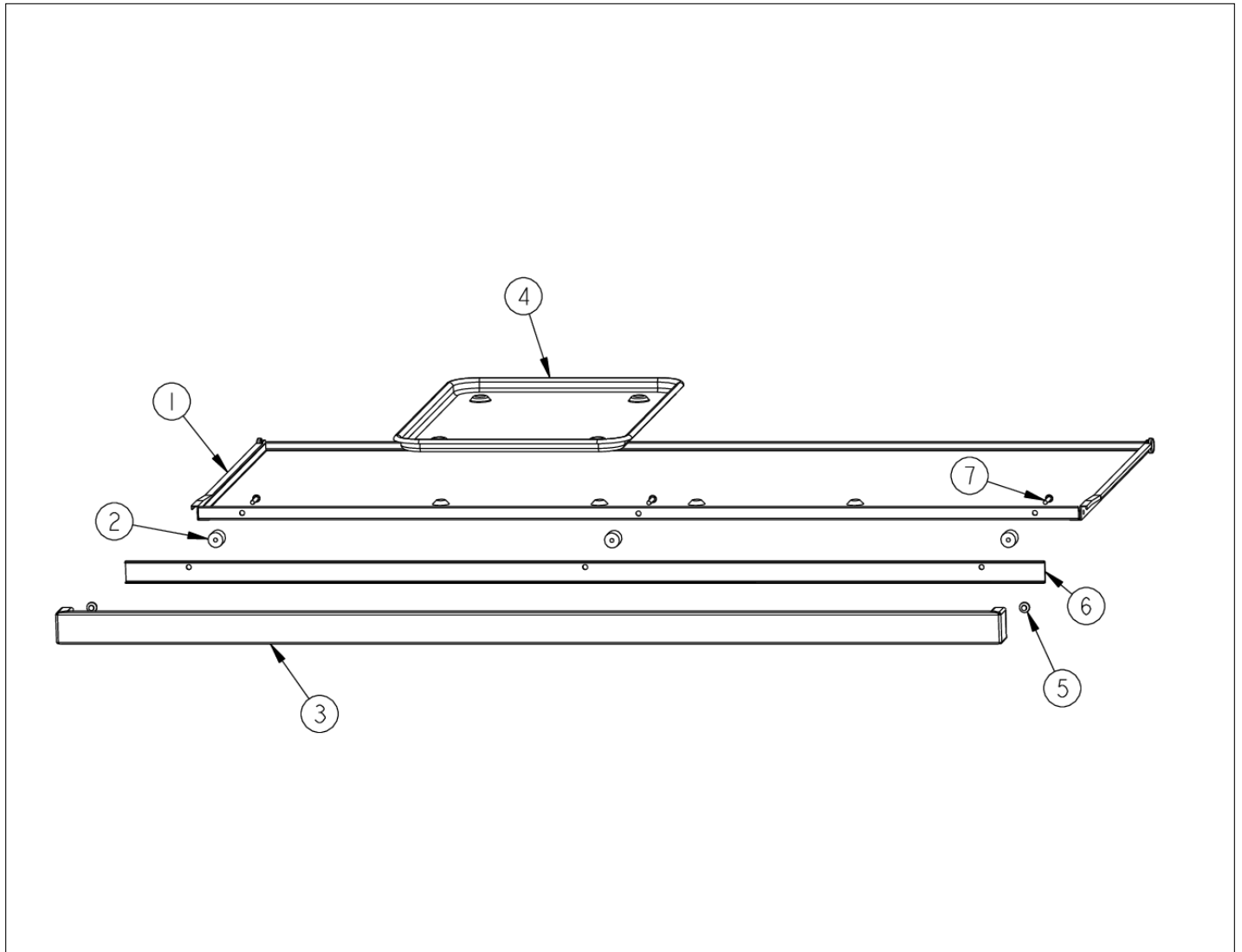
Comments for Part Num. PE050024

haarnink@vikingrange.com on Jan 14, 2019

please note that the indicator light is now part 043135-000 but needs the Jumper harness 051443-000. and second option there are units in the field with a 230V indicator light part number 036566-000.

please check this for all "E" module ranges/Tops

DRIP TRAY



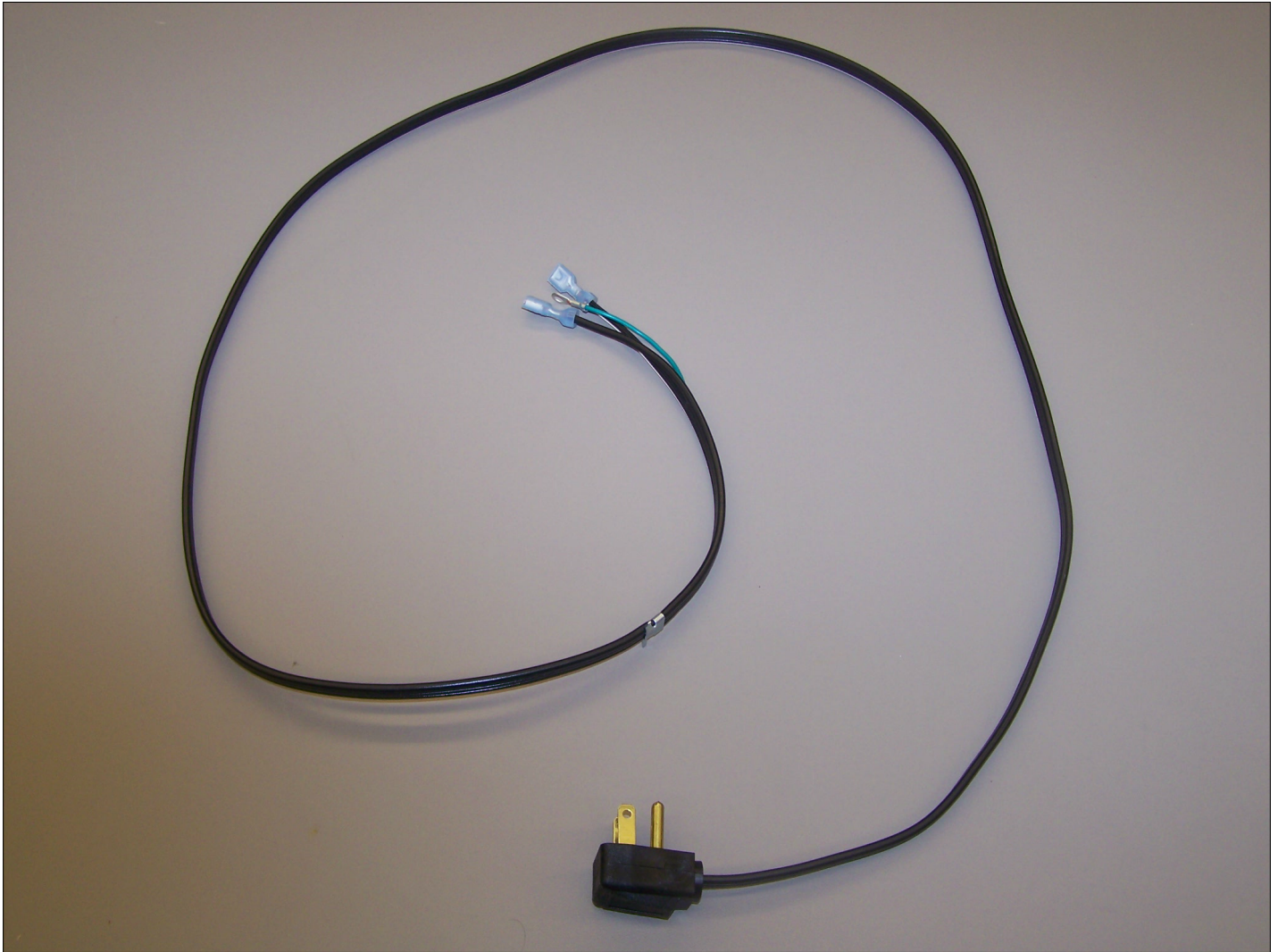


Item	Part No.	Name	Qty	Uom	NOTES
1	G30013336	48" DRIP TRAY ASSY. 6Q &4GQ - NLA	1	EA	
2	PD040028	BUSHING(.194ID/.750OD/.750L ONG)	1	EA	
3	G30010697	DRIP TRAY HANDLE ASSY 48"	1	EA	
3	G93011461PVD	DRIP TRAY HANDLE ASSY 48" PVD - NLA	1	EA	
4	J2101749	GREASE PAN	1	EA	
5	PD040004	GROMMET BUMPER	1	EA	
6	A20010693	DRIP TRAY HANDLE BACK 48	1	EA	
7	PD020079	#10 X 1 1/4 PH. PAN HD. T(A) NYLOK	1	EA	



VGIC488-4GQ

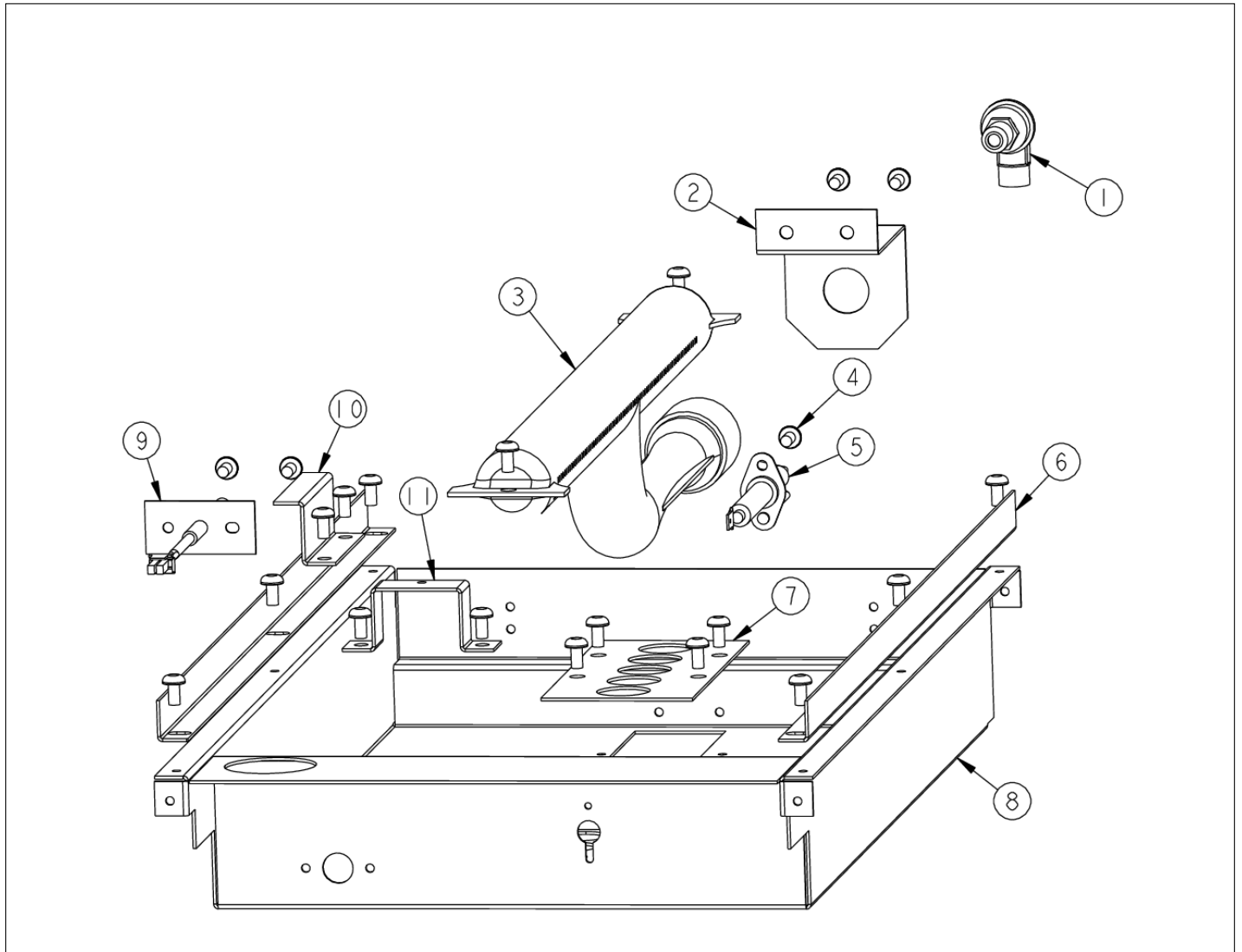
G4008493 SUPPLY CORD





Item	Part No.	Name	Qty	Uom	NOTES
1	G4008493	SUPPLY CORD ASSY- VGSU	1	EA	

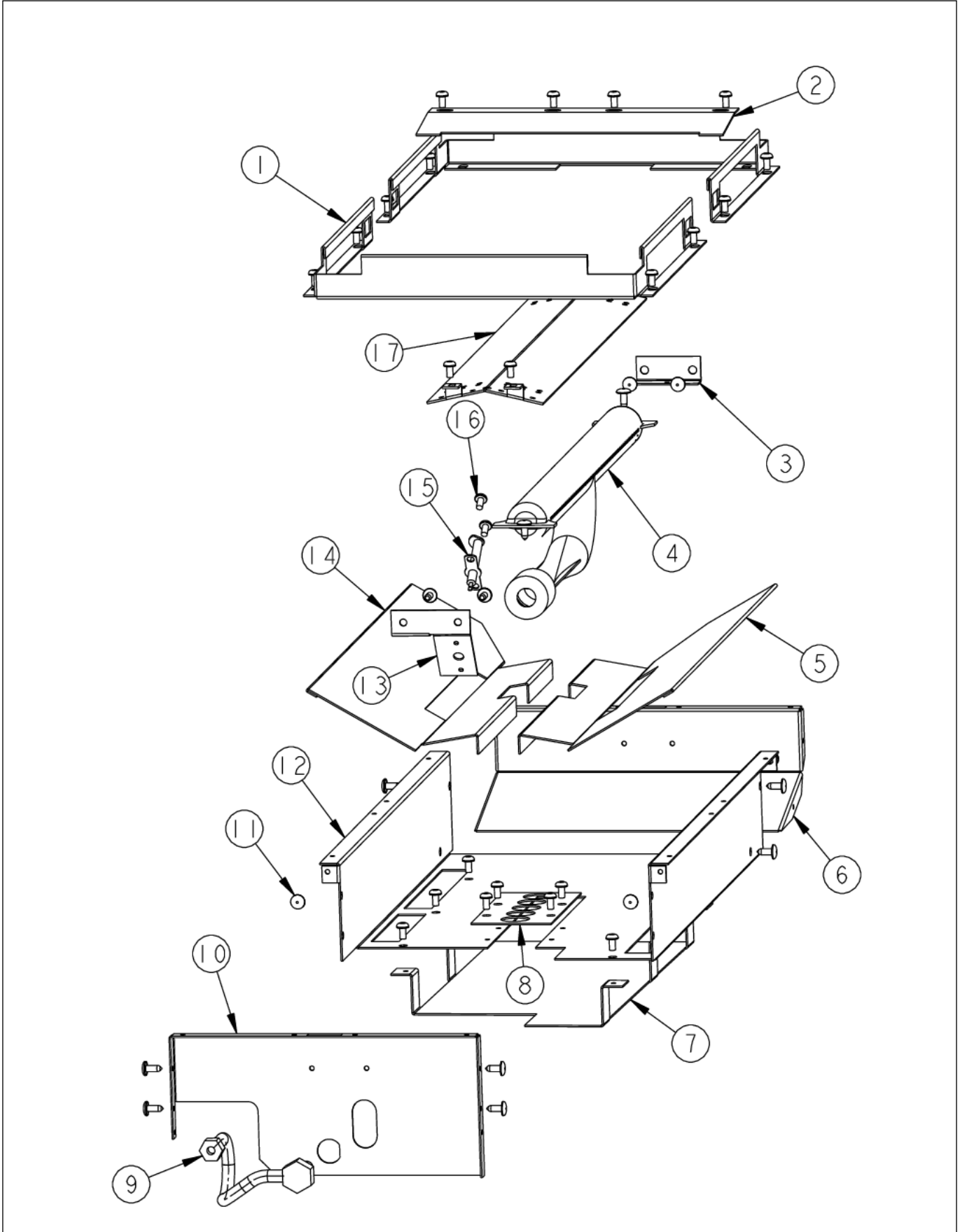
GRIDDLE SUBASSEMBLY





Item	Part No.	Name	Qty	Uom	NOTES
1	PB040190	90 DEGREE ORIFICE FITTING #50 NAT	1	EA	
1	002513-000	90 DEGREE ORIFICE FITTING #57 LP	1	EA	
2	000958-000	GRIDDLE ELBOW HOLDER	1	EA	NO LONGER AVAILABLE, Not available online / Call for pricing and availability
3	PB050074	Griddle Burner	1	EA	
4	PD020004	10X3/8PH.HD.TYPE 25 REPL PD040125	1	EA	
5	008091-000	PB040288 IGNITOR KIT	1	EA	
6	A20010657	GRIDDLE BOX FLANGE	1	EA	
7	A1007861	Griddle Venturi Cover	1	EA	Not available online / Call for pricing and availability
8	000972-000	GRIDDLE BOX	1	EA	NO LONGER AVAILABLE, Not available online / Call for pricing and availability
9	PE050206	RTD THERMOSTAT PROBE	1	EA	
10	000971-000	RTD GRIDDLE SHIELD - NLA	1	EA	NO LONGER AVAILABLE
11	000970-000	GRIDDLE MTG BRKT	1	EA	NO LONGER AVAILABLE, Not available online / Call for pricing and availability

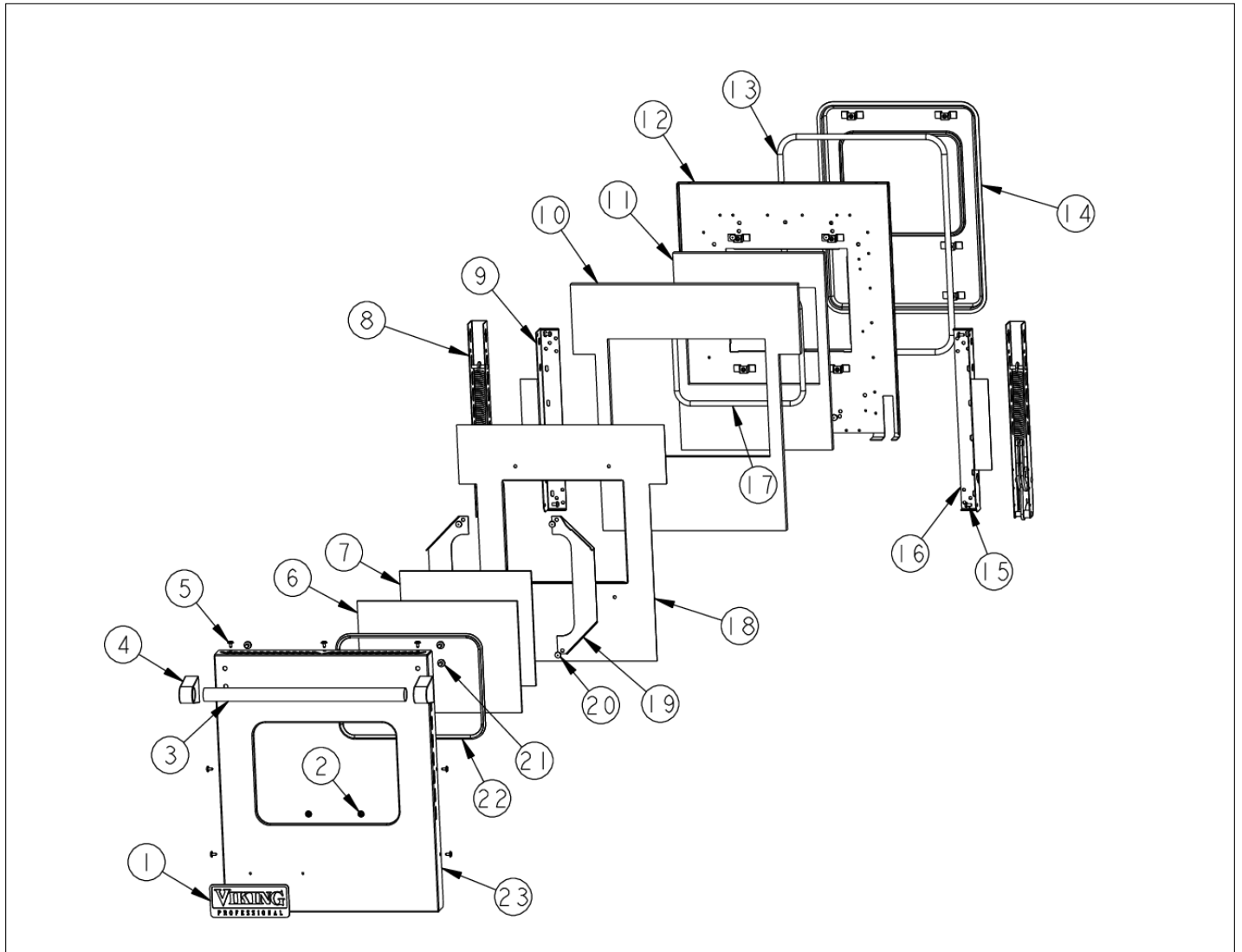
GRILL SUBASSEMBLY





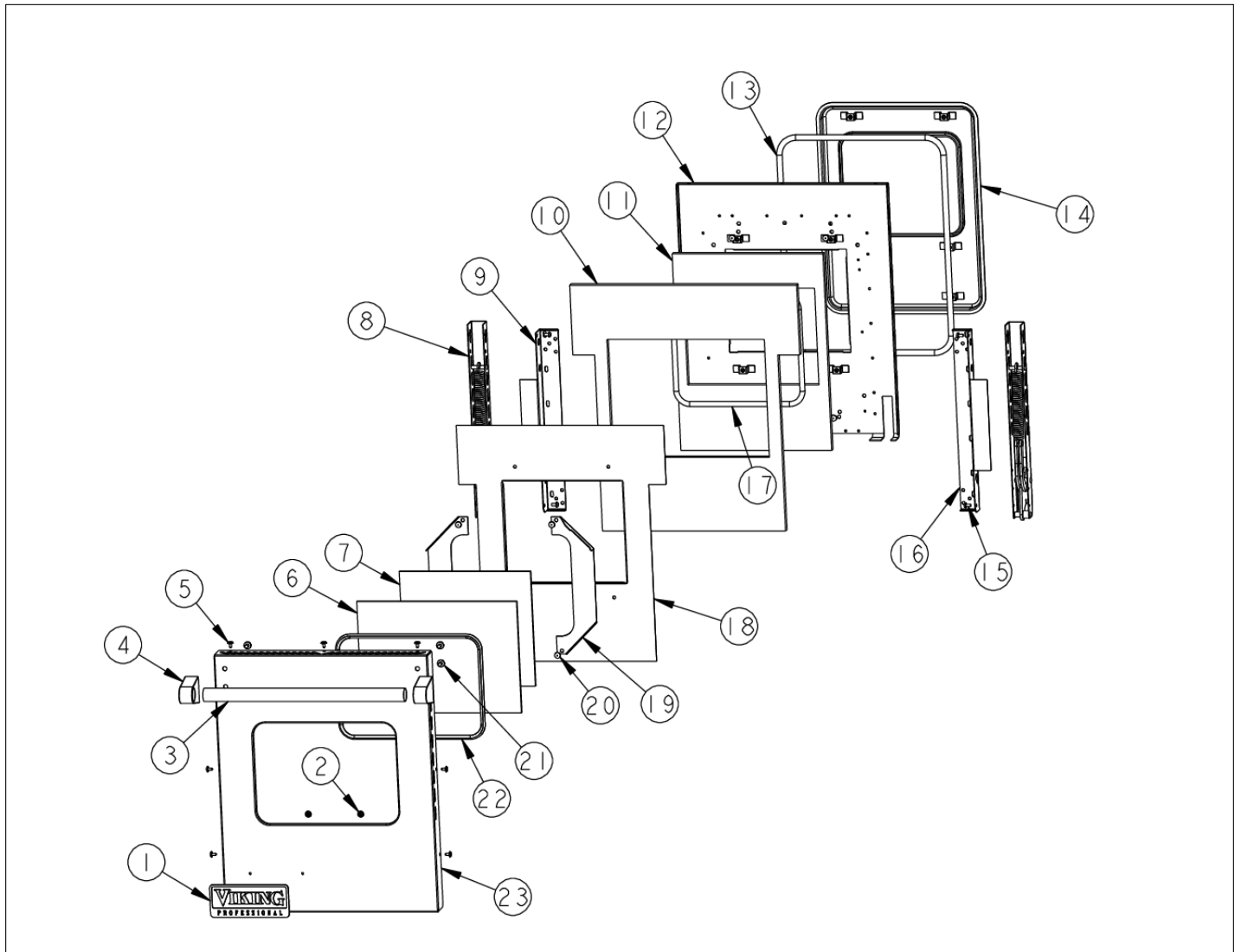
Item	Part No.	Name	Qty	Uom	NOTES
1	A2007871	SHIELD GRATE BRACKET	1	EA	NO LONGER AVAILABLE
2	A20010162	SHIELD BRACE	1	EA	
3	A2001132	REAR GRILL BURNER BRKT (VGRT)	1	EA	
4	PB050077	GRILL BURNER	1	EA	
4	000641-000	GRILL BURNER - LP	1	EA	
5	B20010163	HEAT DEFLECTOR	1	EA	
6	A2001855	GRILL BACK - (VGRC605)	1	EA	
7	A2001863	GRILL BTM SHIELD (VGRC605)	1	EA	
8	A1007861	Griddle Venturi Cover	1	EA	Not available online / Call for pricing and availability
9	PB020025	TUBING-GRILL (REVISED) REP PB020021	1	EA	
9	000636-000	GRILL TUBING - LP	1	EA	Not available online / Call for pricing and availability
10	A2001631	GRILL BOX FRONT (VGRC)	1	EA	
11	PD020002	10 X 1/2 PH.TR.HD.SMS.	1	EA	
12	A2007863	GRILL BOX	1	EA	NO LONGER AVAILABLE, Not available online / Call for pricing and availability
13	A2001633	GRILL FRONT SPARKER BRKT (VGRC)	1	EA	
14	B2009846	HEAT DEFLECTOR	1	EA	
15	PA020028	SPARK IGNITER	1	EA	
16	PD020004	10X3/8PH.HD.TYPE 25 REPL PD040125	1	EA	
17	G30012657	FLAME SHIELD ASSEMBLY	1	EA	

LH DOOR ASSEMBLY

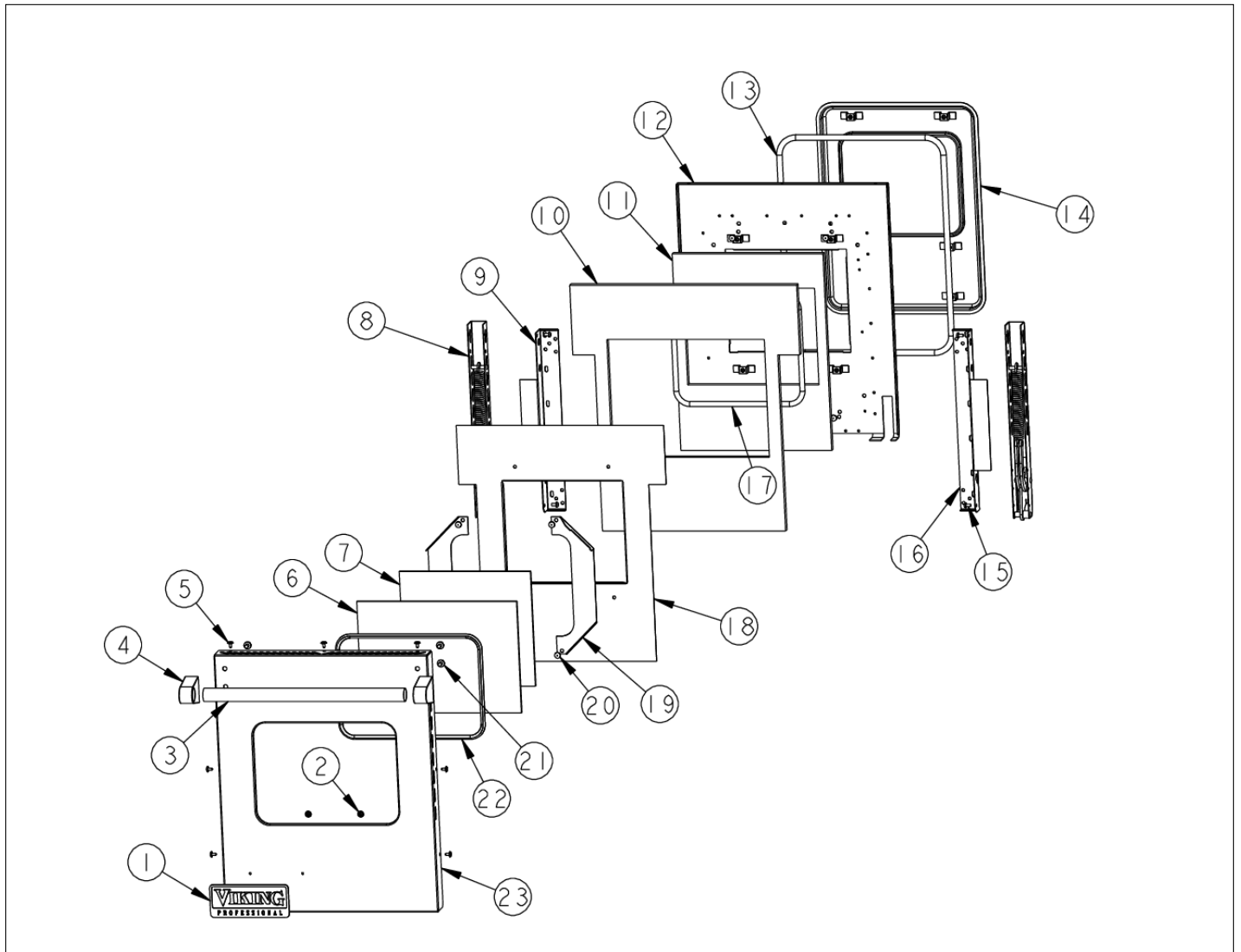




Item	Part No.	Name	Qty	Uom	NOTES
1	PE010030	LOGO	1	EA	
1	PE010068	LOGO 6" (VGRC) BK/BR	1	EA	
1	PE010031	LOGO 6" (VGRC) *BK/WH*	1	EA	NO LONGER AVAILABLE
1	PE010076	LOGO 6" (VGRC) *BR/WH*	1	EA	NO LONGER AVAILABLE
2	PD030006	CAPPED WASHER PAL NUT	1	EA	
3	PE030008	DOOR HANDLE - LH 48VGRC	1	EA	
3	PE030014PVD	DOOR HANDLE - LH - (48") PVD	1	EA	
4	000268-000	HANDLE ENDCAP	1	EA	
4	PE030001PVD	END CAP DOOR HANDLE *BR	1	EA	
5	PD020032	SRW-8(A)X3/8"PH.WFR HD 7/16DIA*NICL	1	EA	
6	PE060049	GLASS LH *TE* DF48DOOR	1	EA	
7	PE060032	GLASS (HEAT BARRIER) LH DF48DOOR	1	EA	
8	PC020222	DOOR HINGE (SHORT SPRING) NSF	1	EA	
9	000932-000	DOOR HINGE BRACKET	1	EA	Not available online / Call for pricing and availability
10	PB070145	SUPERWOOL 5" X 24" X 3'	1	EA	
11	PB070145	SUPERWOOL 5" X 24" X 3'	1	EA	
12	001144-000	LINER, DOOR, PORCELAIN 48 LH	1	EA	NO LONGER AVAILABLE, Not available online / Call for pricing and availability
13	000080-000	48" LH DOOR GASKET	1	EA	
14	001145-000	PLUG, DOOR, PORCELAIN, 48 LH (Before 12/20/2012)	1	EA	
15	PD020004	10X3/8PH.HD.TYPE 25 REPL PD040125	1	EA	
16	000075-000	DOOR HINGE BRACKET	1	EA	Not available online / Call for pricing and availability
17	000594-000	BLACK FIBERGLASS ROPE 3/8	1	EA	

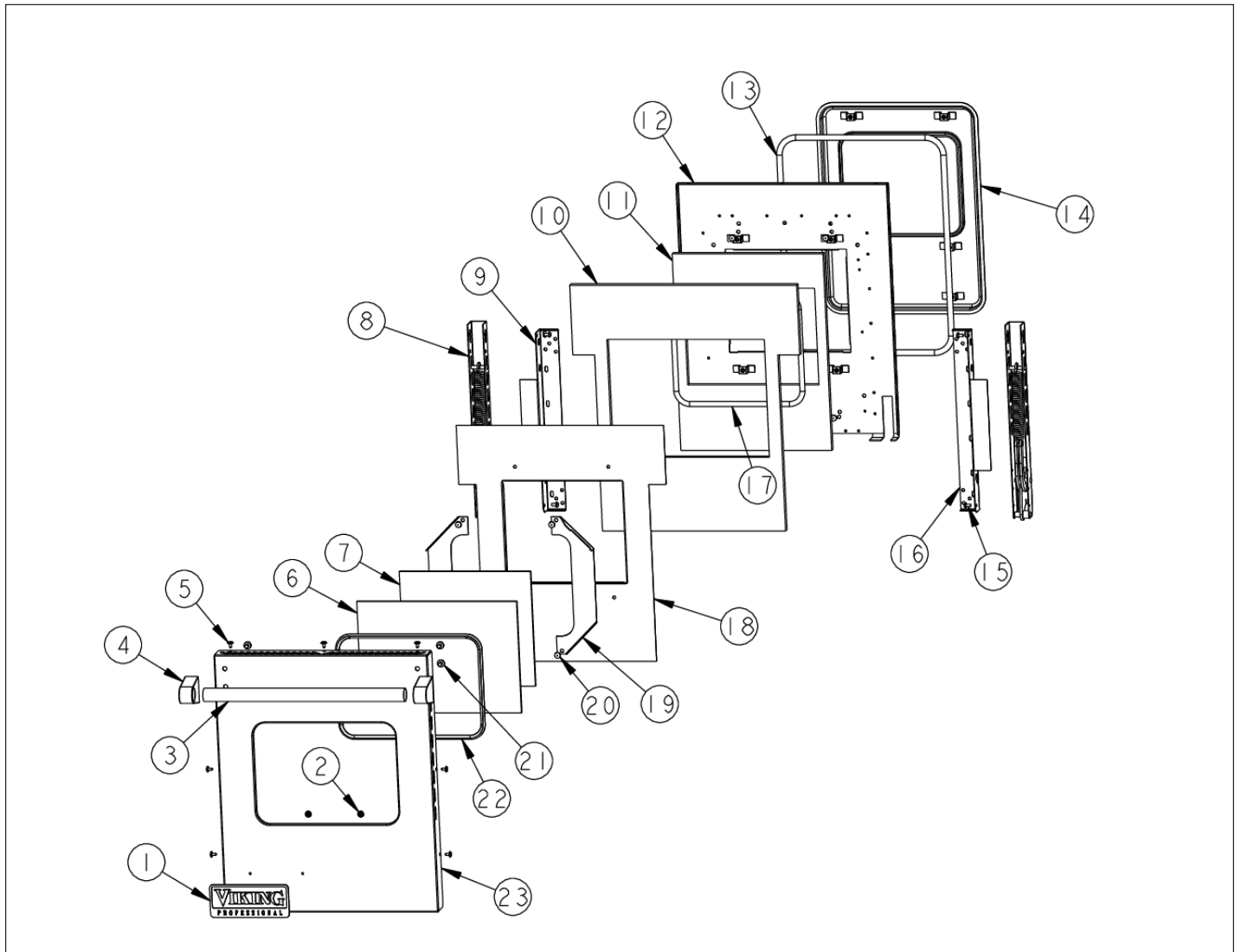


Item	Part No.	Name	Qty	Uom	NOTES
18	000939-000	INNER DOOR HEAT SINK	1	EA	NO LONGER AVAILABLE, Not available online / Call for pricing and availability
19	E9102668	WINDOW BRKT (O/S DOOR GLASS)	1	EA	Not available online / Call for pricing and availability
20	PD020002	10 X 1/2 PH.TR.HD.SMS.	1	EA	
21	PD010019	BLT-1/4-20X3/8"HEX WASHER SERATED	1	EA	
22	PE060046	J-MOLD LH SS (DF48 DOOR)	1	EA	
22	PE060048	J-MOLD LH *BR* (DF48 DOOR)	1	EA	NO LONGER AVAILABLE
23	B2002504	O/S DOOR PANEL LH *SS* (VDSC48)	1	EA	
23	C9002504AL	O/S DOOR PANEL-LH *AL* (VDSC48)	1	EA	NO LONGER AVAILABLE, Not available online / Call for pricing and availability
23	C9002504BK	O/S DOOR PANEL-LH *BK* (VDSC48)	1	EA	
23	C9002504BT	O/S DOOR PANEL-LH *BT* (VDSC48)	1	EA	NO LONGER AVAILABLE
23	C9002504BU	O/S DOOR PANEL-LH *BU* (VDSC48)	1	EA	
23	C9002504CB	O/S DOOR PANEL-LH *CB* (VDSC48)	1	EA	NO LONGER AVAILABLE
23	C9002504EP	O/S DOOR PANEL-LH *EP* (VDSC48)	1	EA	NO LONGER AVAILABLE, Not available online / Call for pricing and availability
23	C9002504FG	O/S DOOR PANEL-LH *FG* (VDSC48)	1	EA	NO LONGER AVAILABLE, Not available online / Call for pricing and availability
23	C9002504GG	O/S DOOR PANEL-LH *GG* (VDSC48)	1	EA	
23	C9002504LE	O/S DOOR PANEL-LH *LE* (VDSC48)	1	EA	NO LONGER AVAILABLE
23	C9002504MJ	O/S DOOR PANEL-LH *MJ* (VDSC48)	1	EA	NO LONGER AVAILABLE, Not available online / Call for pricing and availability



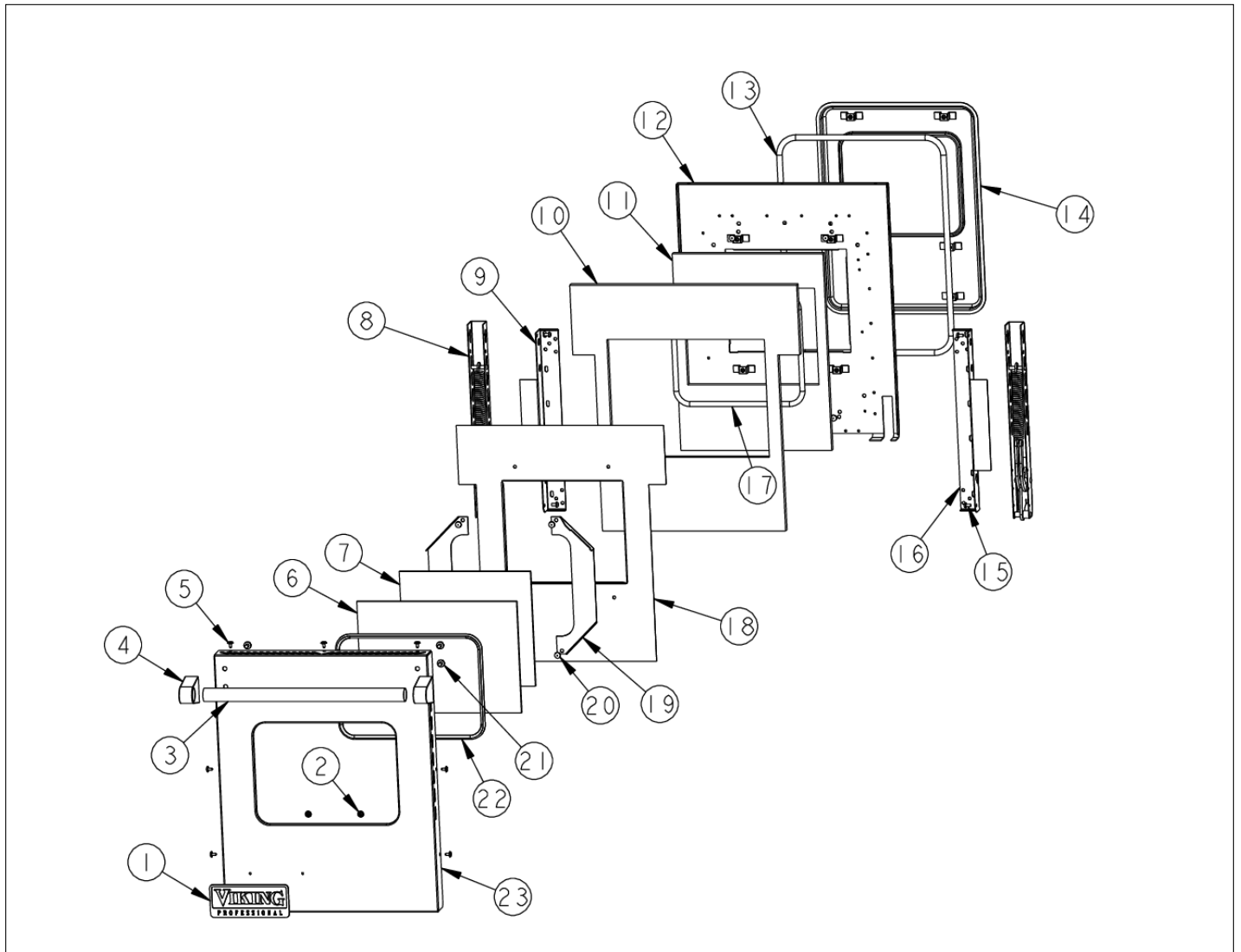


Item	Part No.	Name	Qty	Uom	NOTES
23	C9002504SG	O/S DOOR PANEL-SG *SG* (VDSC48)	1	EA	Not available online / Call for pricing and availability
23	C9002504VB	O/S DOOR PANEL-LH*VB* (VDSC48)	1	EA	NO LONGER AVAILABLE, Not available online / Call for pricing and availability
23	C9002504WH	O/S DOOR PANEL-LH *WH* (VDSC48)	1	EA	
NI	000946-007	COMPLETE DOOR ASSY. - AL	1	EA	Not available online / Call for pricing and availability
NI	000946-107	COMPLETE DOOR ASSY. - ALBR	1	EA	Not available online / Call for pricing and availability
NI	000946-002	COMPLETE DOOR ASSY. - BK	1	EA	Not available online / Call for pricing and availability
NI	000946-102	COMPLETE DOOR ASSY. - BKBR	1	EA	Not available online / Call for pricing and availability
NI	000946-003	COMPLETE DOOR ASSY. - BT	1	EA	Not available online / Call for pricing and availability
NI	000946-103	COMPLETE DOOR ASSY. - BTBR	1	EA	Not available online / Call for pricing and availability
NI	000946-008	COMPLETE DOOR ASSY. - BU	1	EA	Not available online / Call for pricing and availability
NI	000946-108	COMPLETE DOOR ASSY. - BUBR	1	EA	Not available online / Call for pricing and availability
NI	000946-013	COMPLETE DOOR ASSY. - CB	1	EA	Not available online / Call for pricing and availability
NI	000946-113	COMPLETE DOOR ASSY. - CBBR	1	EA	Not available online / Call for pricing and availability





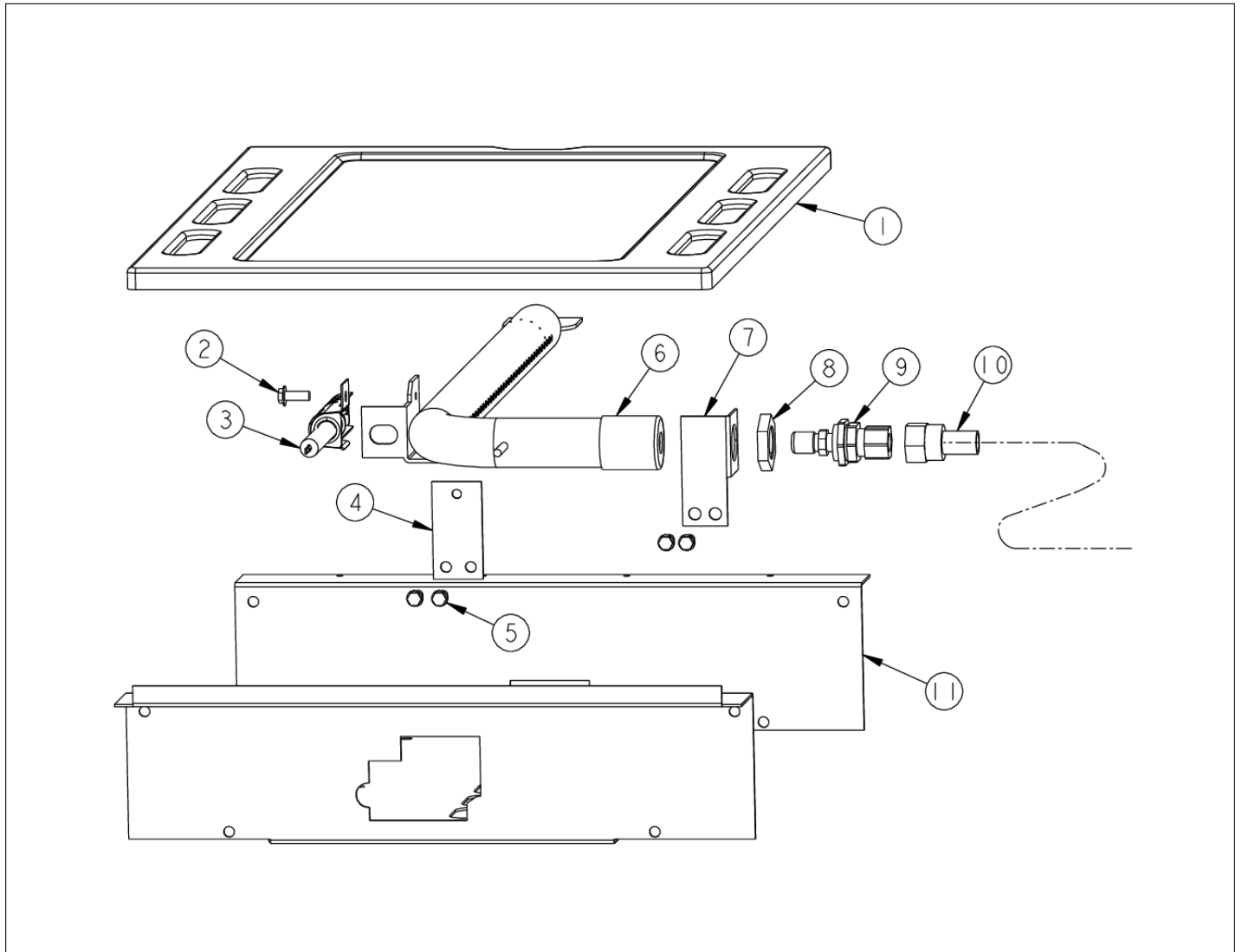
Item	Part No.	Name	Qty	Uom	NOTES
NI	000946-014	COMPLETE DOOR ASSY. - EP	1	EA	Not available online / Call for pricing and availability
NI	000946-114	COMPLETE DOOR ASSY. - EPBR	1	EA	Not available online / Call for pricing and availability
NI	000946-011	COMPLETE DOOR ASSY. - FG	1	EA	Not available online / Call for pricing and availability
NI	000946-111	COMPLETE DOOR ASSY. - FGBR	1	EA	Not available online / Call for pricing and availability
NI	000946-005	COMPLETE DOOR ASSY. - GG	1	EA	Not available online / Call for pricing and availability
NI	000946-105	COMPLETE DOOR ASSY. - GGBR	1	EA	Not available online / Call for pricing and availability
NI	000946-009	COMPLETE DOOR ASSY. - LE	1	EA	Not available online / Call for pricing and availability
NI	000946-109	COMPLETE DOOR ASSY. - LEBR	1	EA	Not available online / Call for pricing and availability
NI	000946-010	COMPLETE DOOR ASSY. - MJ	1	EA	Not available online / Call for pricing and availability
NI	000946-110	COMPLETE DOOR ASSY. - MJBR	1	EA	Not available online / Call for pricing and availability
NI	000946-004	COMPLETE DOOR ASSY. - SG	1	EA	Not available online / Call for pricing and availability
NI	000946-104	COMPLETE DOOR ASSY. - SGBR	1	EA	Not available online / Call for pricing and availability
NI	000946-000	DOOR ASSY 48" LH - NLA	1	EA	NO LONGER AVAILABLE





Item	Part No.	Name	Qty	Uom	NOTES
NI	000946-100	DOOR ASSEMBLY, 48" LH (BR)	1	EA	NO LONGER AVAILABLE, Not available online / Call for pricing and availability
NI	000946-012	COMPLETE DOOR ASSY. - VB	1	EA	Not available online / Call for pricing and availability
NI	000946-112	COMPLETE DOOR ASSY. - VB BR	1	EA	Not available online / Call for pricing and availability
NI	000946-006	COMPLETE DOOR ASSY. - WH	1	EA	Not available online / Call for pricing and availability
NI	000946-106	COMPLETE DOOR ASSY. - WH BR	1	EA	Not available online / Call for pricing and availability

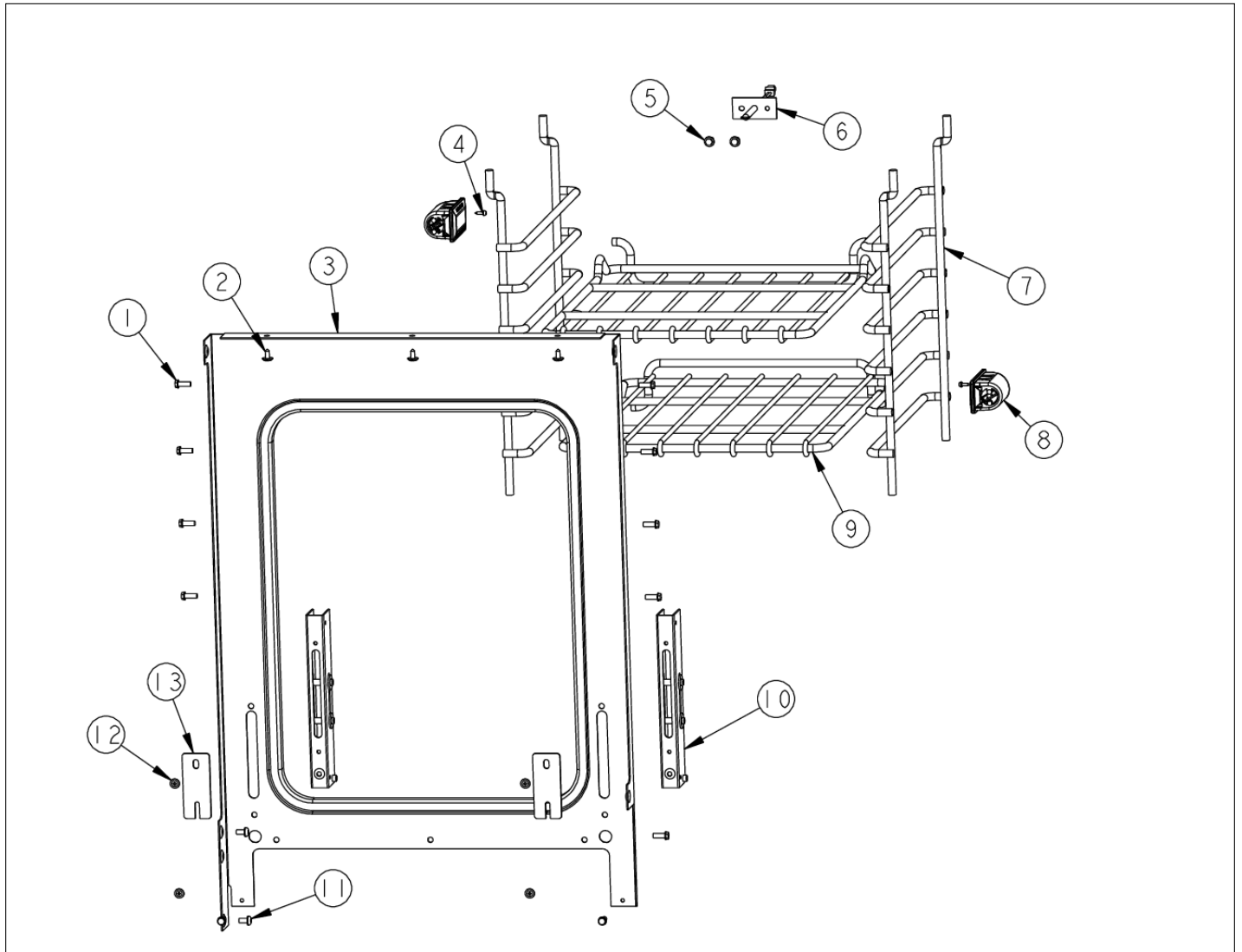
LH OVEN BAKE AREA





Item	Part No.	Name	Qty	Uom	NOTES
1	068457-000	ASM, BOTTOM, CAVITY OVEN GAS 18" GRAY		EA	
Not Shown	NOTE	(INCLUDES HEAT SHIELD)		EA	
2	PD020048	NO.10 X 1/2 TEK 410 SS SCREW		EA	
3	PB040273	BAKE IGNITION ELECTRODE		EA	
4	A1005571	BURNER MOUNTING BRACKET		EA	NO LONGER AVAILABLE
5	PD020060	10 X 1/2" (5/16)HEX WSHR HD.(T)A		EA	
6	PB050080	VGSC486 LH OVEN BURNER		EA	
7	A2005579	ORIFICE BRACKET 48LH		EA	NO LONGER AVAILABLE, Not available online / Call for pricing and availability
8	PD030018	PALNUT - 3/4-16		EA	
9	PB040229	BULKHEAD FITTING (VGSC486LH)		EA	
9	PB040062	ORIFICE HOOD-#56		EA	
10	PB020136	44" 3/8 S.S. FLEX TUBING T6-44		EA	
11	A20010139	48" LH CAVITY BOTTOM		EA	NO LONGER AVAILABLE, Not available online / Call for pricing and availability

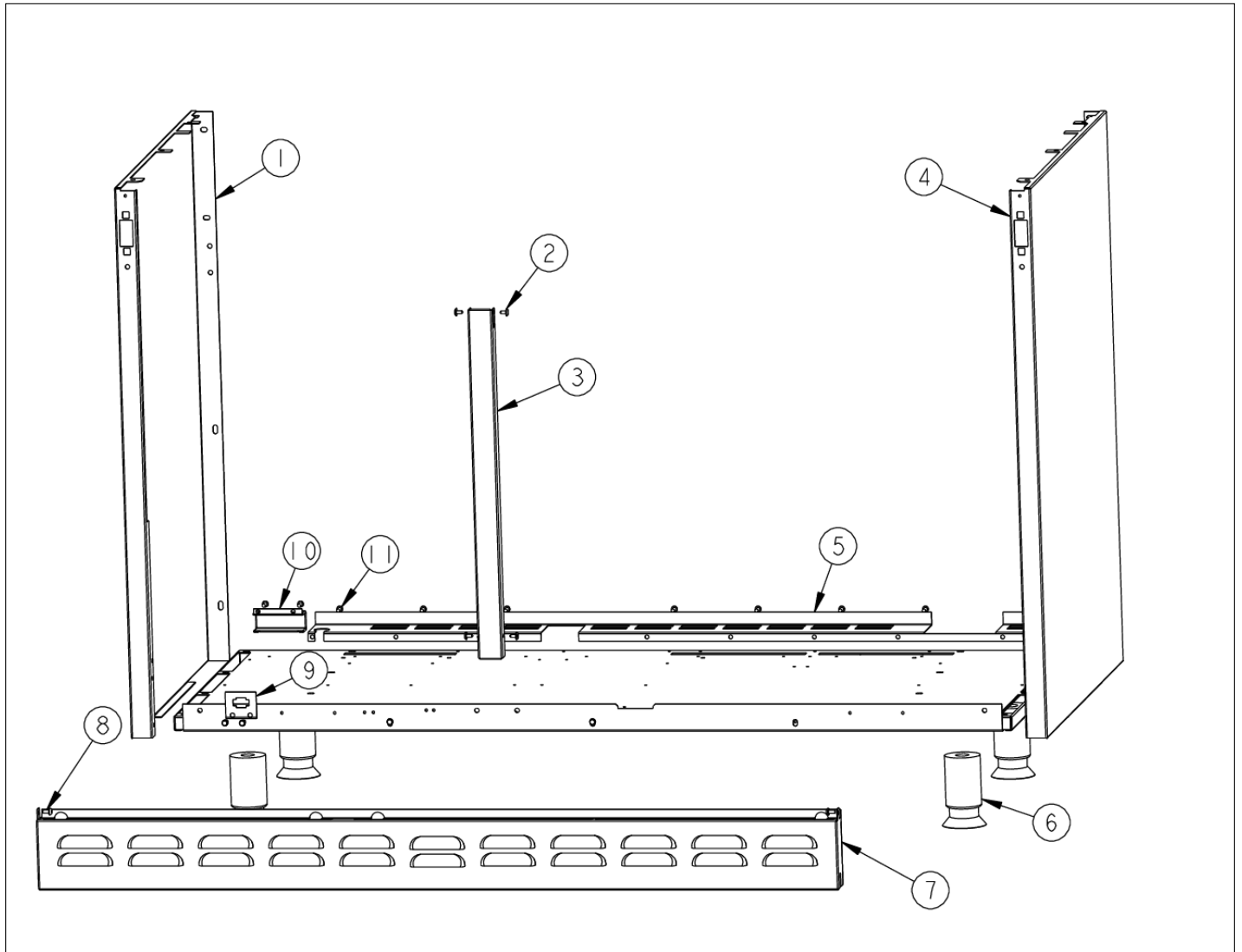
LH OVEN MAIN CAVITY





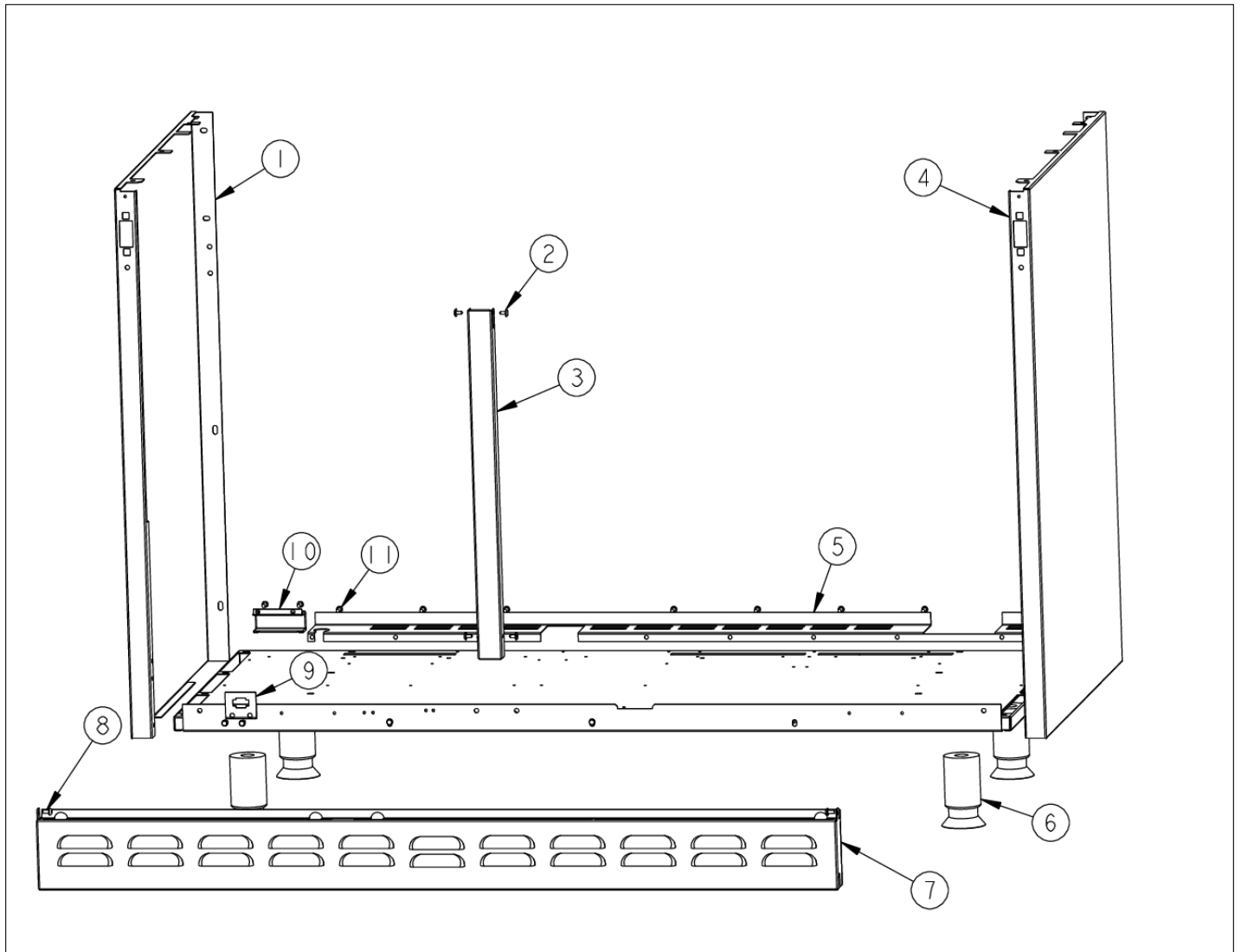
Item	Part No.	Name	Qty	Uom	NOTES
1	PD020060	10 X 1/2" (5/16)HEX WSHER HD.(T)A	1	EA	
2	PD020032	SRW-8(A)X3/8"PH.WFR HD 7/16DIA*NICL	1	EA	
3	001014-000	FRONT FRAME 48 LH WELD ASSY	1	EA	NO LONGER AVAILABLE, Not available online / Call for pricing and availability
4	PD020013	TYPE "AB" #6 X 3/8 PH PAN HD. SMS	1	EA	
5	PD020048	NO.10 X 1/2 TEK 410 SS SCREW	1	EA	
6	PE050206	RTD THERMOSTAT PROBE	1	EA	
7	PB060030	RACK SUPT REPL PB060010	1	EA	
8	005311-000	LAMP, OVEN, 120V/25W	1	EA	
9	PB060046	OVEN RK VDSC48-LH REPL PB060023	1	EA	
10	PC020295	HINGE RECEIVER ASSEMBLY	1	EA	
11	PD020004	10X3/8PH.HD.TYPE 25 REPL PD040125	1	EA	
12	003083-000	#8-18 x 1/2" PHIL FLAT TOP TRUSS HD AB SCREW	1	EA	
13	B1007913	HINGE CLIP (DESIGNER TIME PIECE)	1	EA	

LOWER UNIT AND SIDE PANELS



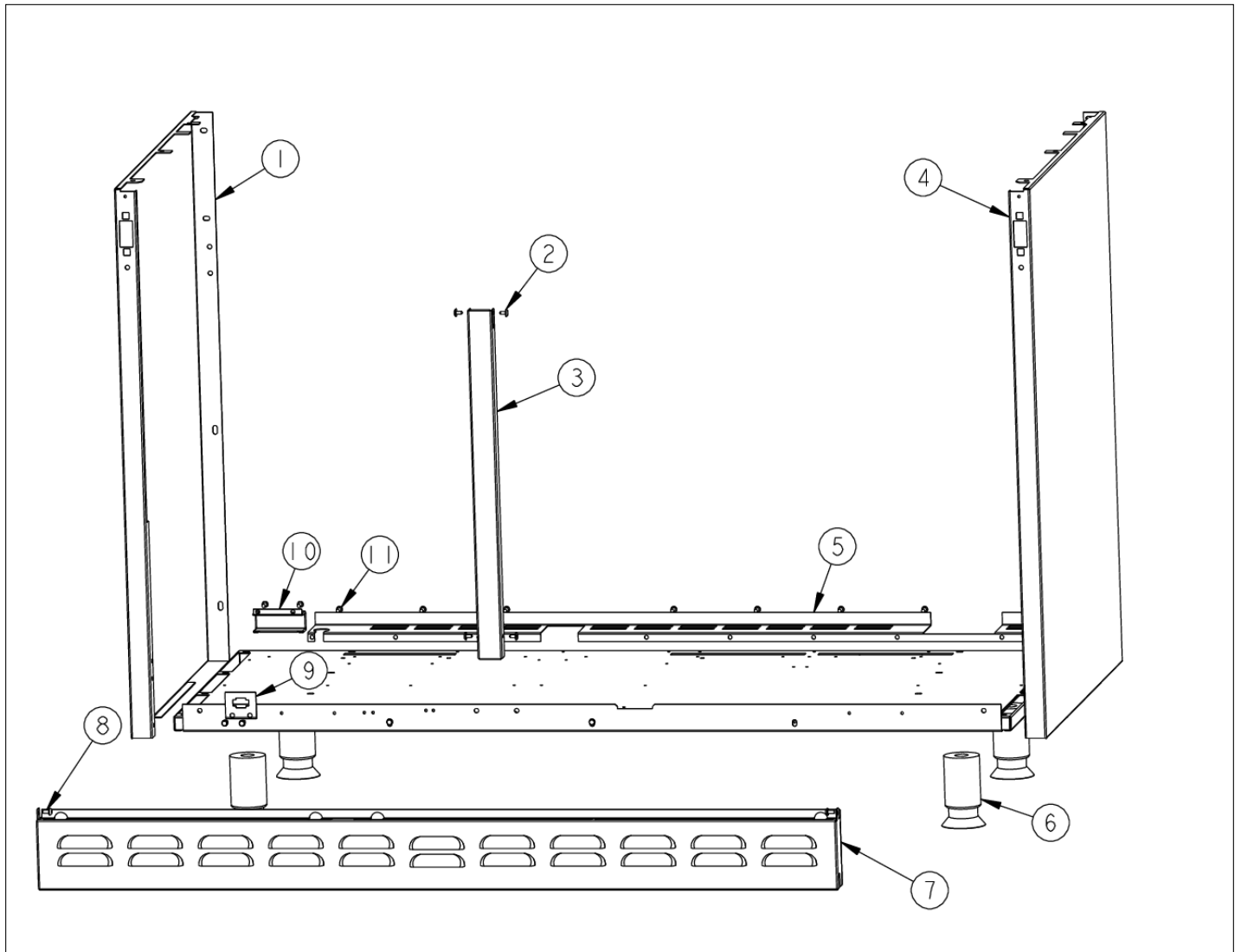


Item	Part No.	Name	Qty	Uom	NOTES
1	003349-007	LH RANGE BODY PANEL (AL)	1	EA	NO LONGER AVAILABLE, Not available online / Call for pricing and availability
1	003349-002	LH RANGE BODY PANEL (BK)	1	EA	
1	003349-003	LH RANGE BODY PANEL (BT)	1	EA	NO LONGER AVAILABLE, Not available online / Call for pricing and availability
1	003349-008	LH RANGE BODY PANEL (BU)	1	EA	NO LONGER AVAILABLE, Not available online / Call for pricing and availability
1	003349-013	LH RANGE BODY PANEL (CB)	1	EA	NO LONGER AVAILABLE
1	003349-014	LH RANGE BODY PANEL (EP)	1	EA	NO LONGER AVAILABLE, Not available online / Call for pricing and availability
1	003349-011	LH RANGE BODY PANEL (FG)	1	EA	NO LONGER AVAILABLE, Not available online / Call for pricing and availability
1	003349-005	LH RANGE BODY PANEL (GG)	1	EA	NO LONGER AVAILABLE, Not available online / Call for pricing and availability
1	003349-009	LH RANGE BODY PANEL (LE)	1	EA	NO LONGER AVAILABLE, Not available online / Call for pricing and availability
1	003349-010	LH RANGE BODY PANEL (MJ)	1	EA	NO LONGER AVAILABLE, Not available online / Call for pricing and availability
1	003349-004	LH RANGE BODY PANEL (SG)	1	EA	NO LONGER AVAILABLE, Not available online / Call for pricing and availability
1	003349-000	LH RANGE BODY PANEL	1	EA	



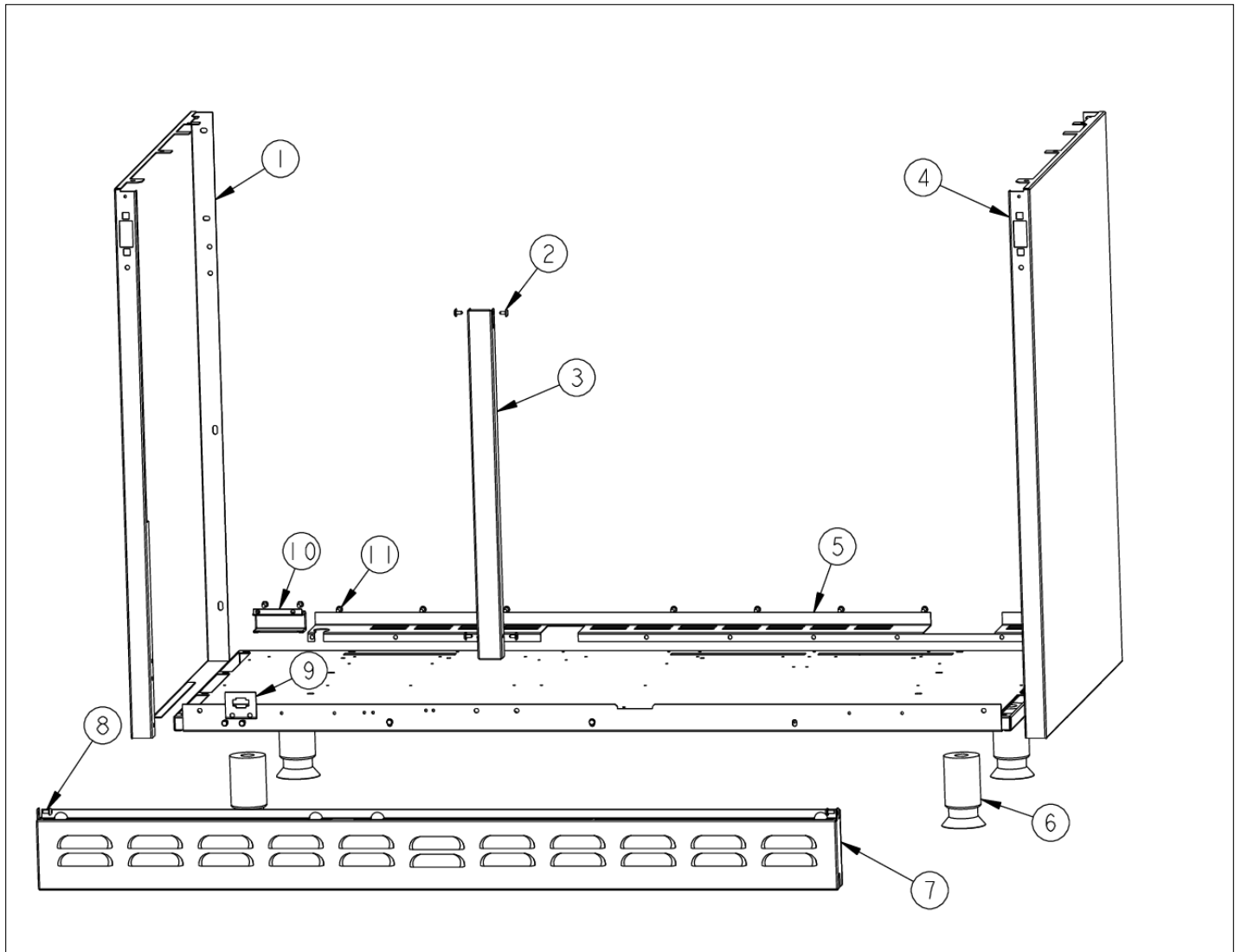


Item	Part No.	Name	Qty	Uom	NOTES
1	003349-012	LH RANGE BODY PANEL (VB)	1	EA	NO LONGER AVAILABLE, Not available online / Call for pricing and availability
1	003349-006	LH RANGE BODY PANEL (WH)	1	EA	NO LONGER AVAILABLE, Not available online / Call for pricing and availability
2	PD020032	SRW-8(A)X3/8"PH.WFR HD 7/16DIA*NICL	1	EA	
3	B2005683	CENTER TRIM	1	EA	
3	C9005683AL	CENTER TRIM *AL*	1	EA	NO LONGER AVAILABLE, Not available online / Call for pricing and availability
3	C9005683BK	CENTER TRIM *BK*	1	EA	NO LONGER AVAILABLE
3	C9005683BT	CENTER TRIM *BT*	1	EA	NO LONGER AVAILABLE, Not available online / Call for pricing and availability
3	C9005683BU	CENTER TRIM *BU*	1	EA	Not available online / Call for pricing and availability
3	C9005683CB	CENTER TRIM *CB*	1	EA	NO LONGER AVAILABLE
3	C9005683EP	CENTER TRIM *EP*	1	EA	NO LONGER AVAILABLE, Not available online / Call for pricing and availability
3	C9005683FG	CENTER TRIM *FG*	1	EA	NO LONGER AVAILABLE, Not available online / Call for pricing and availability
3	C9005683GG	CENTER TRIM *GG*	1	EA	NO LONGER AVAILABLE
3	C9005683LE	CENTER TRIM *LE*	1	EA	NO LONGER AVAILABLE, Not available online / Call for pricing and availability



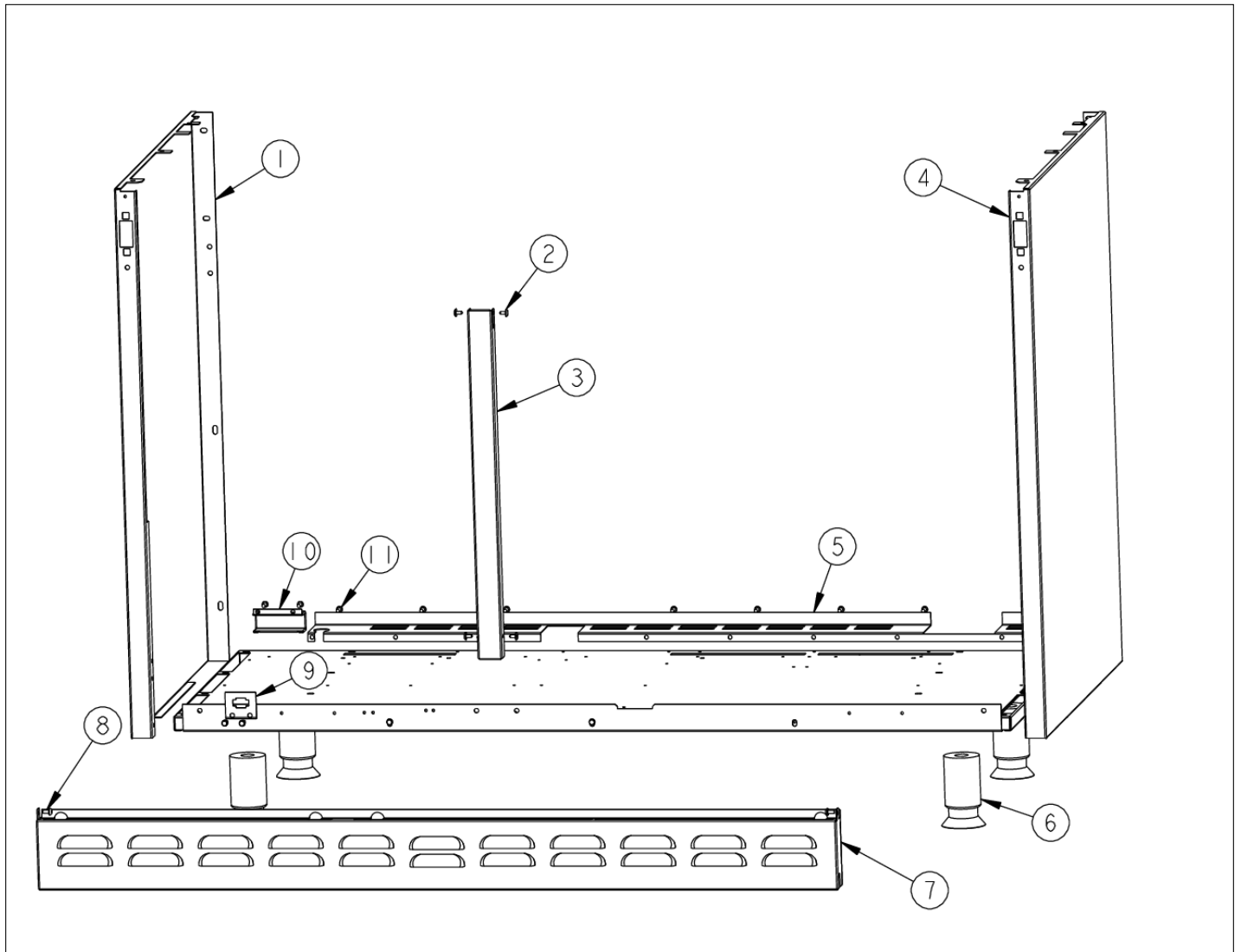


Item	Part No.	Name	Qty	Uom	NOTES
3	C9005683MJ	CENTER TRIM *MJ*	1	EA	NO LONGER AVAILABLE, Not available online / Call for pricing and availability
3	C9005683SG	CENTER TRIM *SG*	1	EA	
3	C9005683VB	CENTER TRIM *VB*	1	EA	NO LONGER AVAILABLE, Not available online / Call for pricing and availability
3	C9005683WH	CENTER TRIM *WH*	1	EA	NO LONGER AVAILABLE, Not available online / Call for pricing and availability
4	003348-007	O/S BODY PANEL - RH (AL)	1	EA	NO LONGER AVAILABLE, Not available online / Call for pricing and availability
4	003348-002	O/S BODY PANEL - RH (BK)	1	EA	
4	003348-003	O/S BODY PANEL - RH (BT)	1	EA	NO LONGER AVAILABLE, Not available online / Call for pricing and availability
4	003348-008	O/S BODY PANEL - RH (BU)	1	EA	NO LONGER AVAILABLE, Not available online / Call for pricing and availability
4	003348-013	O/S BODY PANEL - RH (CB)	1	EA	NO LONGER AVAILABLE
4	003348-014	O/S BODY PANEL - RH (EP)	1	EA	NO LONGER AVAILABLE, Not available online / Call for pricing and availability
4	003348-011	O/S BODY PANEL - RH (FG)	1	EA	NO LONGER AVAILABLE, Not available online / Call for pricing and availability
4	003348-005	O/S BODY PANEL - RH (GG)	1	EA	NO LONGER AVAILABLE, Not available online / Call for pricing and availability





Item	Part No.	Name	Qty	Uom	NOTES
4	003348-009	O/S BODY PANEL - RH (LE)	1	EA	NO LONGER AVAILABLE, Not available online / Call for pricing and availability
4	003348-010	O/S BODY PANEL - RH (MJ)	1	EA	NO LONGER AVAILABLE, Not available online / Call for pricing and availability
4	003348-004	O/S BODY PANEL - RH (SG)	1	EA	NO LONGER AVAILABLE, Not available online / Call for pricing and availability
4	003348-000	RH RANGE BODY PANEL	1	EA	Not available online / Call for pricing and availability
4	003348-012	O/S BODY PANEL - RH (VB)	1	EA	NO LONGER AVAILABLE, Not available online / Call for pricing and availability
4	003348-006	O/S BODY PANEL - RH (WH)	1	EA	NO LONGER AVAILABLE, Not available online / Call for pricing and availability
5	A2005584	O/S OVEN BACK BOTTOM	1	EA	NO LONGER AVAILABLE
6	PC030017	4" LEG ASSY	1	EA	
7	B2001241	LWR ACC. PNL - RPLCS B2001973	1	EA	
7	C9001241AL	LWR ACC PNL - RPLCS C9001973AL	1	EA	NO LONGER AVAILABLE, Not available online / Call for pricing and availability
7	C9001241BK	LWR ACC PNL - RPLCS C9001973BK	1	EA	
7	C9001241BT	LWR ACC PNL - RPLCS C9001973BT	1	EA	NO LONGER AVAILABLE
7	C9001241BU	LWR ACC PNL - RPLCS C9001973BU	1	EA	
7	C9001241CB	LWR ACC PNL - RPLCS C9001973CB	1	EA	NO LONGER AVAILABLE





Item	Part No.	Name	Qty	Uom	NOTES
7	C9001241EP	LWR ACC PNL - RPCLS C9001973EP	1	EA	NO LONGER AVAILABLE, Not available online / Call for pricing and availability
7	C9001241FG	LWR ACC PNL - RPLCS C9001973FG	1	EA	NO LONGER AVAILABLE, Not available online / Call for pricing and availability
7	C9001241GG	LWR ACC PNL - RPLCS C9001973GG	1	EA	Not available online / Call for pricing and availability
7	C9001241LE	LWR ACC PNL - RPLCS C9001973LE	1	EA	NO LONGER AVAILABLE
7	C9001241MJ	LWR ACC PNL - RPLCS C9001973MJ	1	EA	NO LONGER AVAILABLE
7	C9001241SG	LWR ACC PNL - RPLCS C9001973SG	1	EA	Not available online / Call for pricing and availability
7	C9001241VB	LWR ACC PNL - RPLCS C9001973VB	1	EA	NO LONGER AVAILABLE, Not available online / Call for pricing and availability
7	C9001241WH	LWR ACC PNL - RPLCS C9001973WH	1	EA	
8	PD020004	10X3/8PH.HD.TYPE 25 REPL PD040125	1	EA	
9	003439-000	POWER DISCONNECT BRACKET	1	EA	NO LONGER AVAILABLE, Not available online / Call for pricing and availability
10	A2004481	WIRE CHANNEL RH (VGSC306)	1	EA	NO LONGER AVAILABLE
11	PD020060	10 X 1/2" (5/16)HEX WSHER HD.(T)A	1	EA	



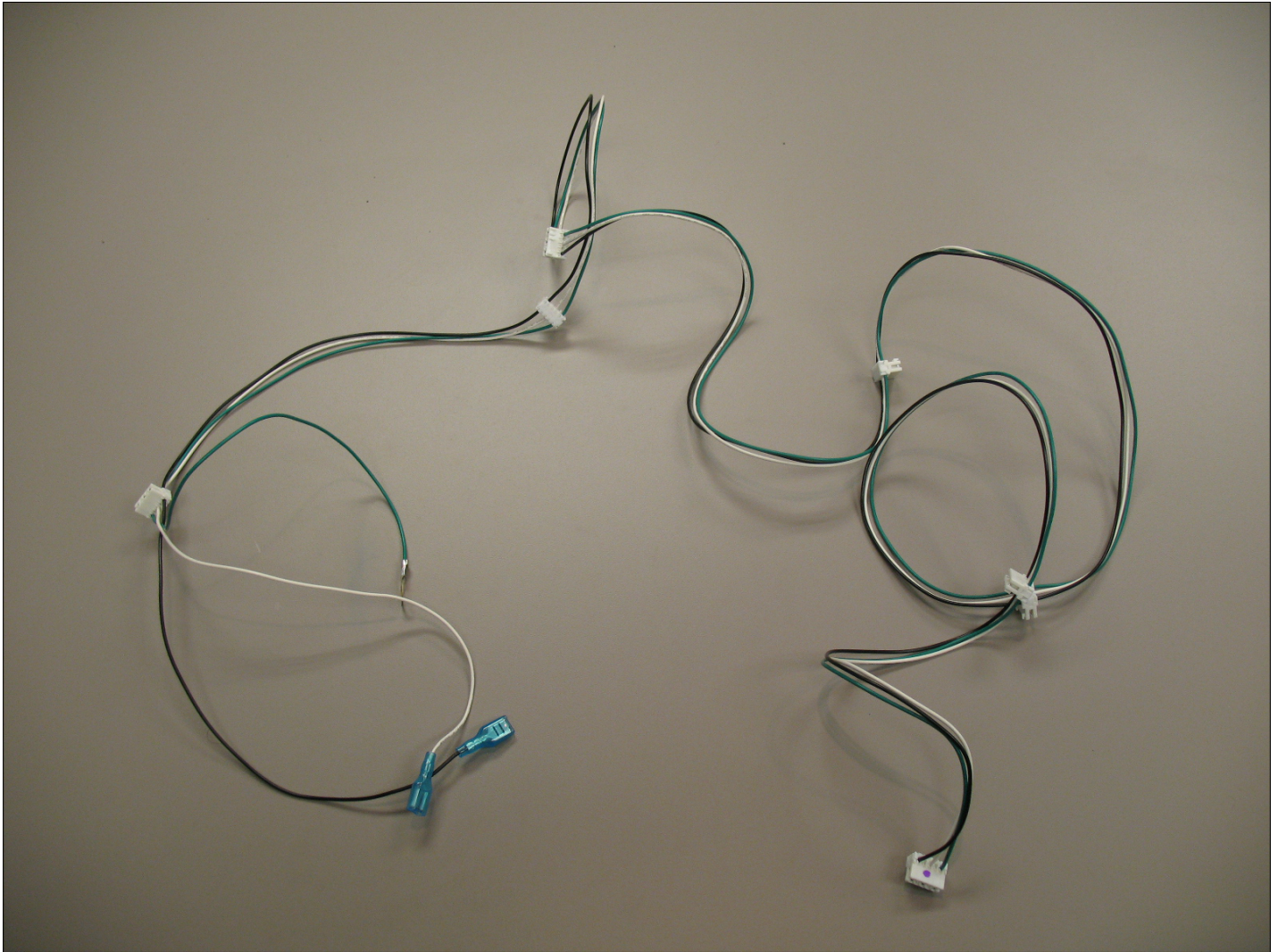
PE070245 LIGHT EXT. HARNESS





Item	Part No.	Name	Qty	Uom	NOTES
1	PE070245	LIGHT EXTENTION HARNESS (VGSC306)	1	EA	
Not Shown	NOTE	(MAY NOT BE USED ON ALL UNITS)		EA	

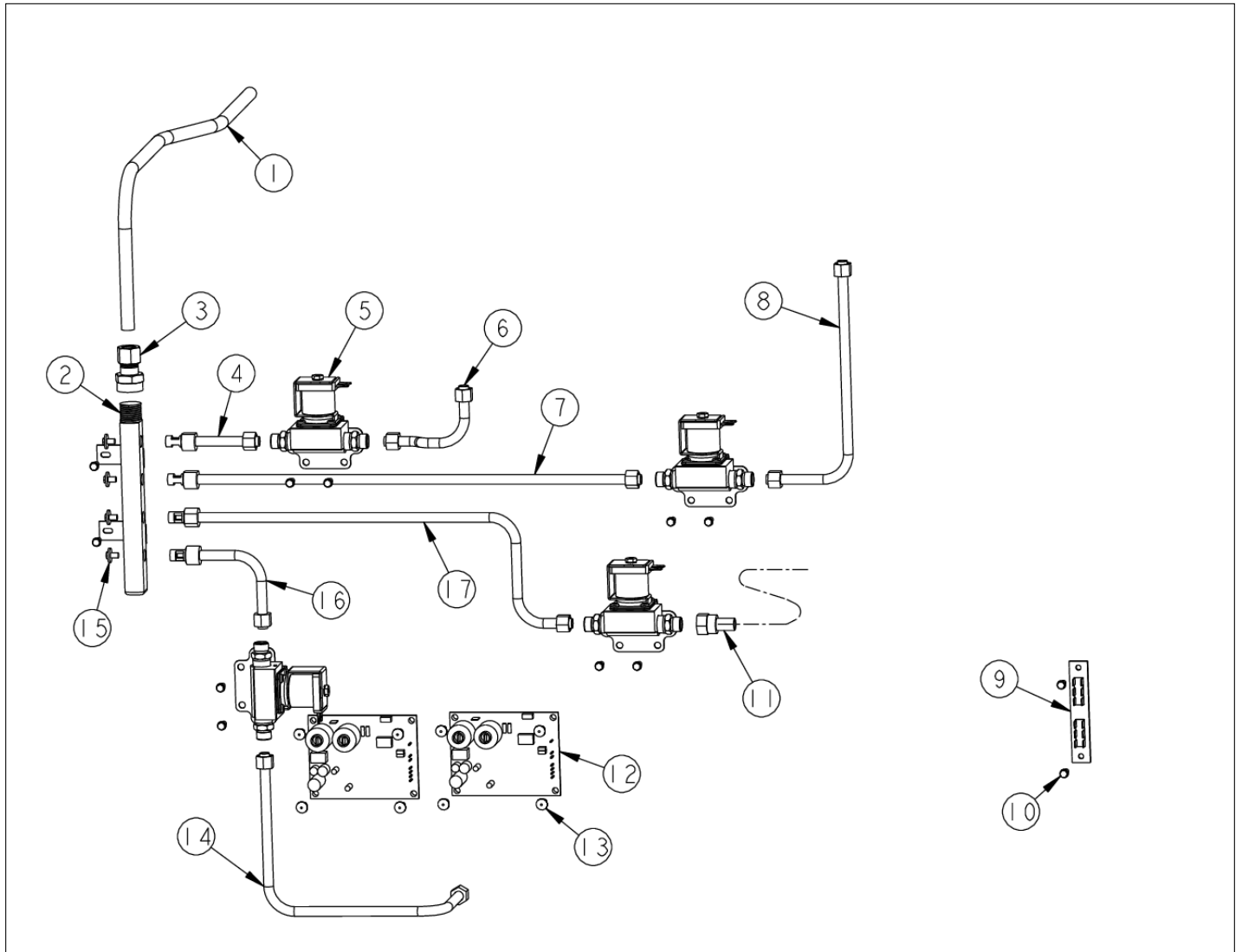
PE070891 IRIS HARNESS





Item	Part No.	Name	Qty	Uom	NOTES
1	PE070891	IRIS HARNESS - 48"	1	EA	

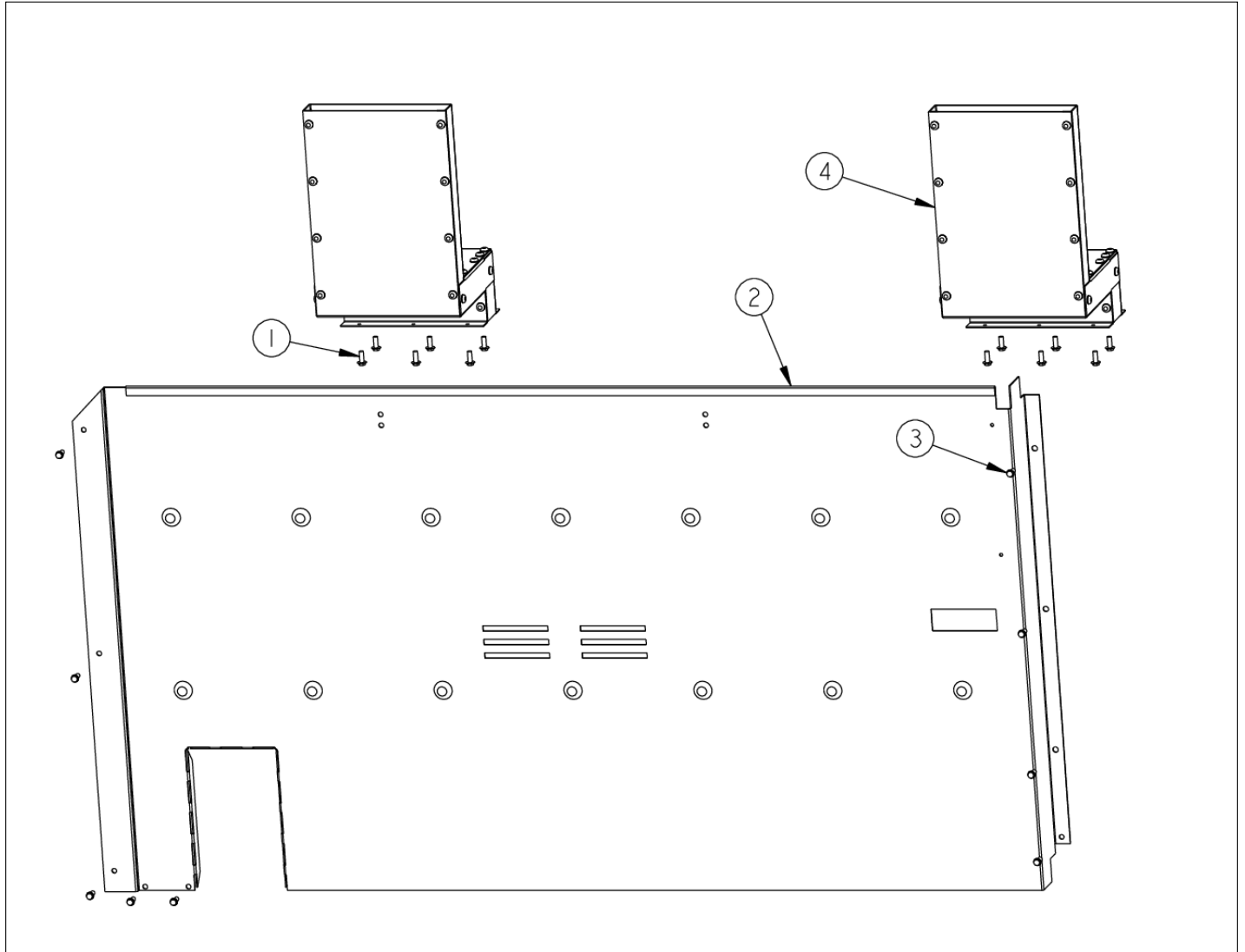
REAR ELECTRONICS AND GAS FLOW





Item	Part No.	Name	Qty	Uom	NOTES
1	000927-000	1/2" ALUM TUBING	1	EA	
2	000863-000	4 PORT MANIFOLD - NLA	1	EA	NO LONGER AVAILABLE
3	000847-000	1/2" COMP TO 1/2" FEMALE NPT ADAPTER	1	EA	
4	000916-000	3/8" BROIL TUBING	1	EA	NO LONGER AVAILABLE, Not available online / Call for pricing and availability
5	003226-000	FJT VALVE - NO NUT/FERRELL	1	EA	
6	000921-000	3/8" ALUM TUBING ELBOW	1	EA	
7	000922-000	3/8" GRIDDLE TUBING	1	EA	
8	000923-000	3/8" GRIDDLE TUBING	1	EA	NO LONGER AVAILABLE, Not available online / Call for pricing and availability
9	PE050001	TERMINAL BOARD	1	EA	
10	PD020060	10 X 1/2" (5/16)HEX WSHR HD.(T)A	1	EA	
11	PB020136	44" 3/8 S.S. FLEX TUBING T6-44	1	EA	
12	PA020056	NLA - See TC-0063D-SP for kit number (see comments)	1	EA	
13	PD020014	10X3/4 PH TR HD SMS	1	EA	
14	000919-000	3/8" ALUM TUBING	1	EA	
15	PD010012	1/4 x 3/8 VALVE BOLT	1	EA	
16	000918-000	3/8" BAKE TUBING	1	EA	
17	000917-000	3/8" TUBING LH BAKE	1	EA	

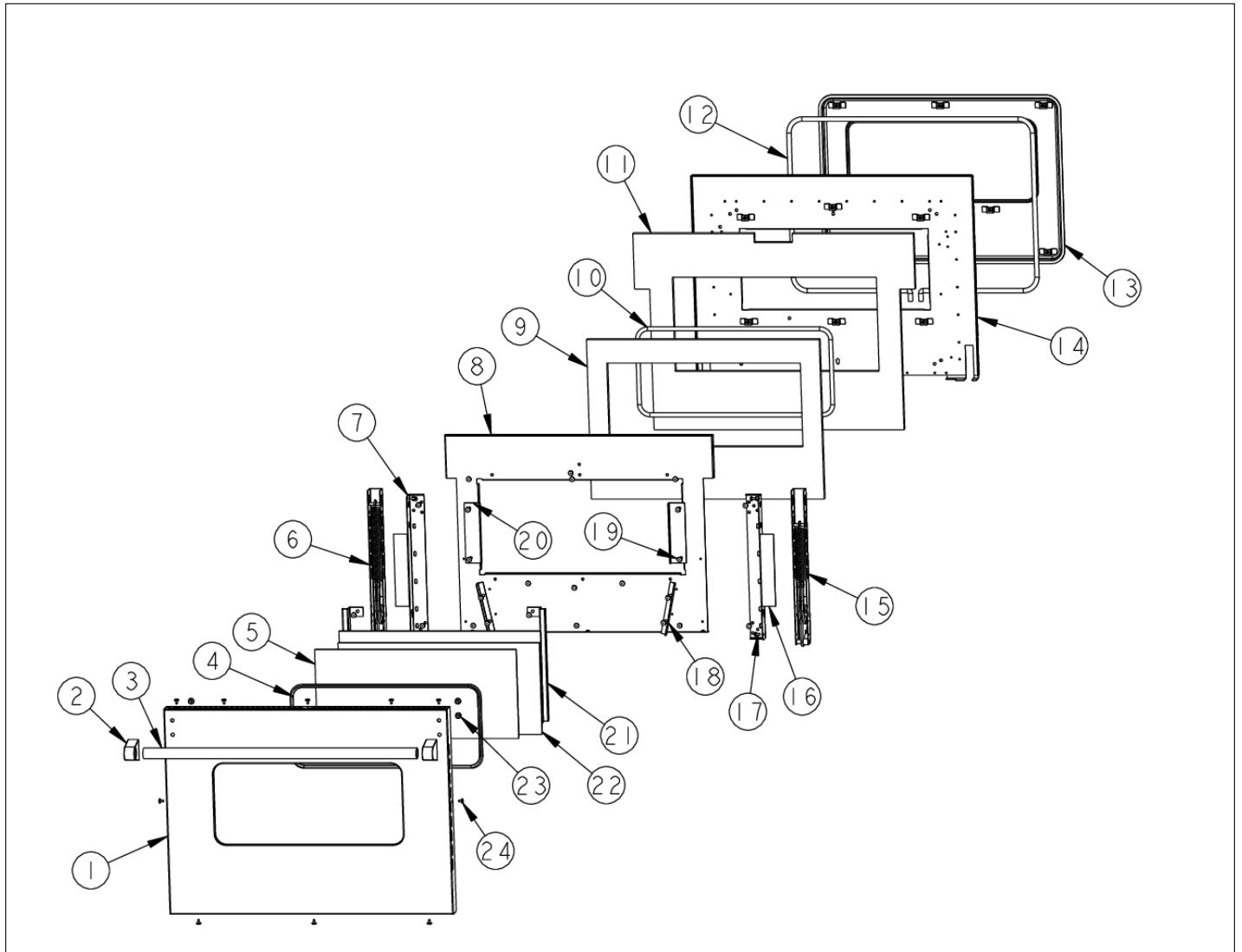
REAR SHEET METAL



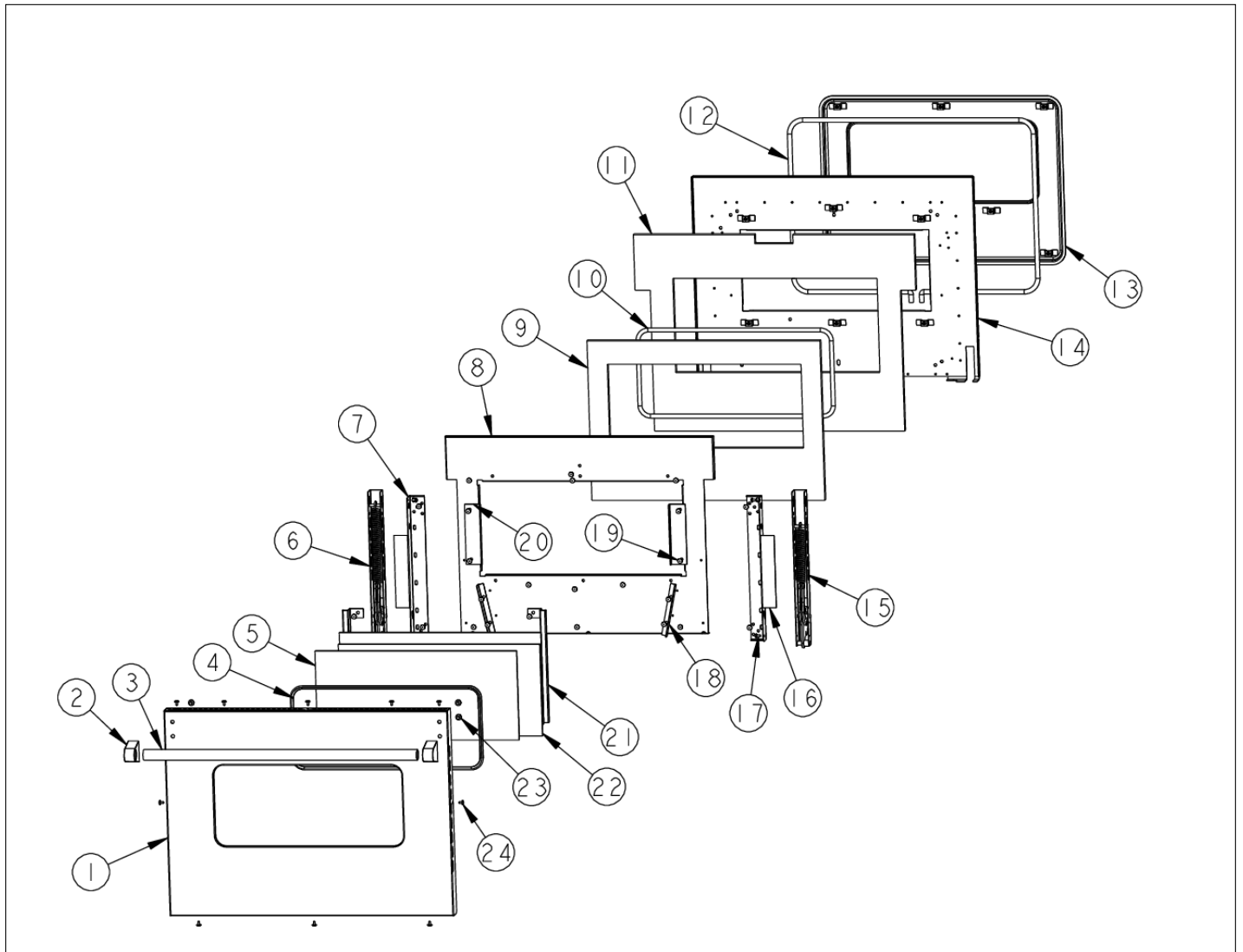


Item	Part No.	Name	Qty	Uom	NOTES
1	PD020048	NO.10 X 1/2 TEK 410 SS SCREW	1	EA	
2	A2005583	48 REAR COVER	1	EA	NO LONGER AVAILABLE
3	PD020060	10 X 1/2" (5/16)HEX WSHER HD.(T)A	1	EA	
4	000967-000	FLUE ASSY	1	EA	

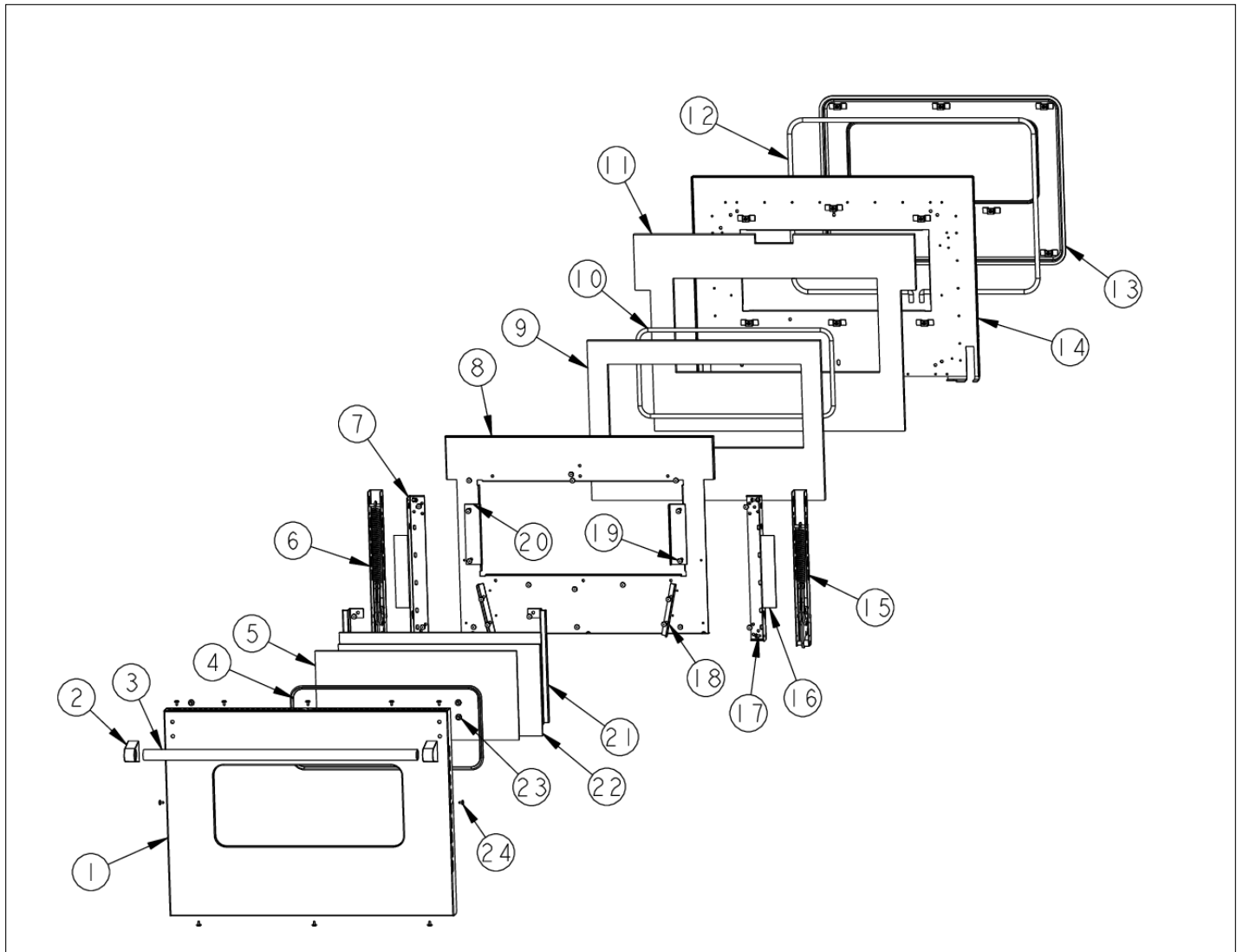
RH DOOR ASSEMBLY



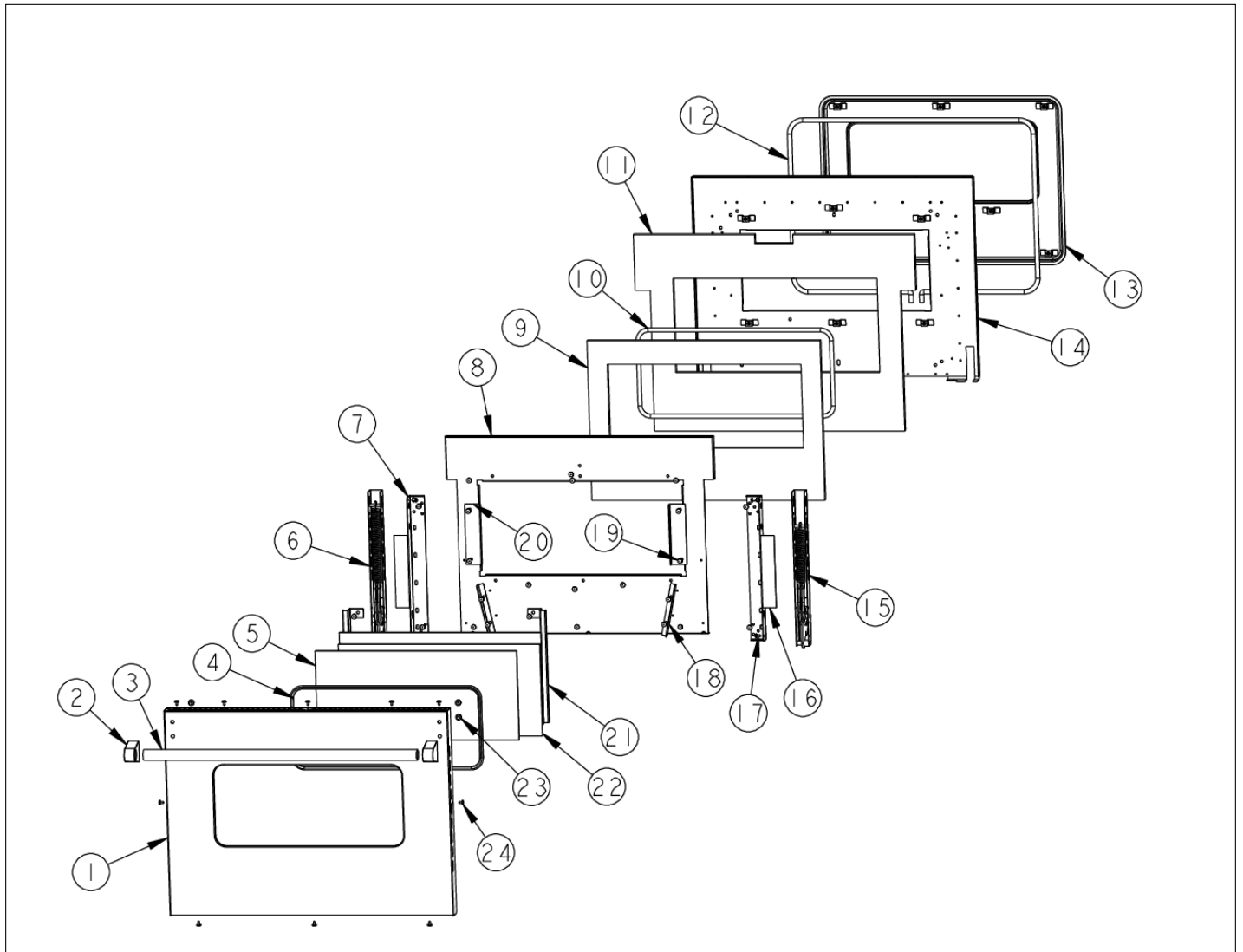
Item	Part No.	Name	Qty	Uom	NOTES
1	B2002528	O/S DOOR PANEL RH *SS* (VDSC48)	1	EA	
1	C9002528AL	O/S DOOR PANEL-RH *AL* (VDSC48)	1	EA	NO LONGER AVAILABLE
1	C9002528BK	O/S DOOR PANEL-RH *BK* (VDSC48)	1	EA	
1	C9002528BT	O/S DOOR PANEL-RH *BT* (VDSC48)	1	EA	NO LONGER AVAILABLE
1	C9002528BU	O/S DOOR PANEL-RH *BU* (VDSC48)	1	EA	
1	C9002528CB	O/S DOOR PANEL-RH *CB* (VDSC48)	1	EA	Not available online / Call for pricing and availability
1	C9002528EP	O/S DOOR PANEL-RH *EP* (VDSC48)	1	EA	NO LONGER AVAILABLE, Not available online / Call for pricing and availability
1	C9002528FG	O/S DOOR PANEL-RH *FG* (VDSC48)	1	EA	NO LONGER AVAILABLE, Not available online / Call for pricing and availability
1	C9002528GG	O/S DOOR PANEL-RH *GG* (VDSC48)	1	EA	Not available online / Call for pricing and availability
1	C9002528LE	O/S DOOR PANEL-RH *LE* (VDSC48)	1	EA	NO LONGER AVAILABLE
1	C9002528MJ	O/S DOOR PANEL-RH *MJ* (VDSC48)	1	EA	NO LONGER AVAILABLE, Not available online / Call for pricing and availability
1	C9002528SG	O/S DOOR PANEL-RH *SG* (VDSC48)	1	EA	Not available online / Call for pricing and availability
1	C9002528VB	O/S DOOR PANEL-RH *VB* (VDSC48)	1	EA	NO LONGER AVAILABLE, Not available online / Call for pricing and availability
1	C9002528WH	O/S DOOR PANEL-RH *WH* (VDSC48)	1	EA	NO LONGER AVAILABLE
2	000268-000	HANDLE ENDCAP	1	EA	
2	PE030001PVD	END CAP DOOR HANDLE *BR	1	EA	



Item	Part No.	Name	Qty	Uom	NOTES
3	PE030005	DOOR HANDLE - VGSC30/RC60/RC48RH	1	EA	
3	PE030012PVD	DOOR HANDLE - RH - (30"/48") PVD	1	EA	
4	PE060031	J-MOLD (LARGE WINDOW)	1	EA	
4	PE060045	J-MOLD (LARGE WINDOW) *BR*	1	EA	
5	PE060030	OUTER DOOR GLASS	1	EA	
6	PC020223	DOOR HINGE (LONG SPRING) NSF	1	EA	
7	000932-000	DOOR HINGE BRACKET	1	EA	Not available online / Call for pricing and availability
8	A20015315	DOOR INSULATION RETAINER	1	EA	NO LONGER AVAILABLE, Not available online / Call for pricing and availability
9	PB070145	SUPERWOOL 5" X 24" X 3'	1	EA	
10	000594-000	BLACK FIBERGLASS ROPE 3/8	1	EA	
11	PB070145	SUPERWOOL 5" X 24" X 3'	1	EA	
12	000042-000	30" DOOR GASKET	1	EA	
13	001142-000	PLUG, DOOR, ASM, PORCELAIN	1	EA	
<p>Comments for Part Num. 001142-000</p> <p>bradleysapplianceservice@shaw.ca on Nov 2, 2015</p> <p>001142-000 PLUG, DOOR, ASM, PORCELAIN (GREY WITH WHITE SPECS) OLD STYLE</p> <p>001142-402 PLUG, DOOR, ASM, PORCELAIN BK (BLACK LINER) NEW STYLE</p>					
14	001141-000	LINER, DOOR, ASM, PORCELAIN	1	EA	Not available online / Call for pricing and availability
15	PC020222	DOOR HINGE (SHORT SPRING) NSF	1	EA	
16	000075-000	DOOR HINGE BRACKET	1	EA	Not available online / Call for pricing and availability
17	PD020004	10X3/8PH.HD.TYPE 25 REPL PD040125	1	EA	
18	A2002497	DOOR GUIDE ANGLE VDSC	1	EA	

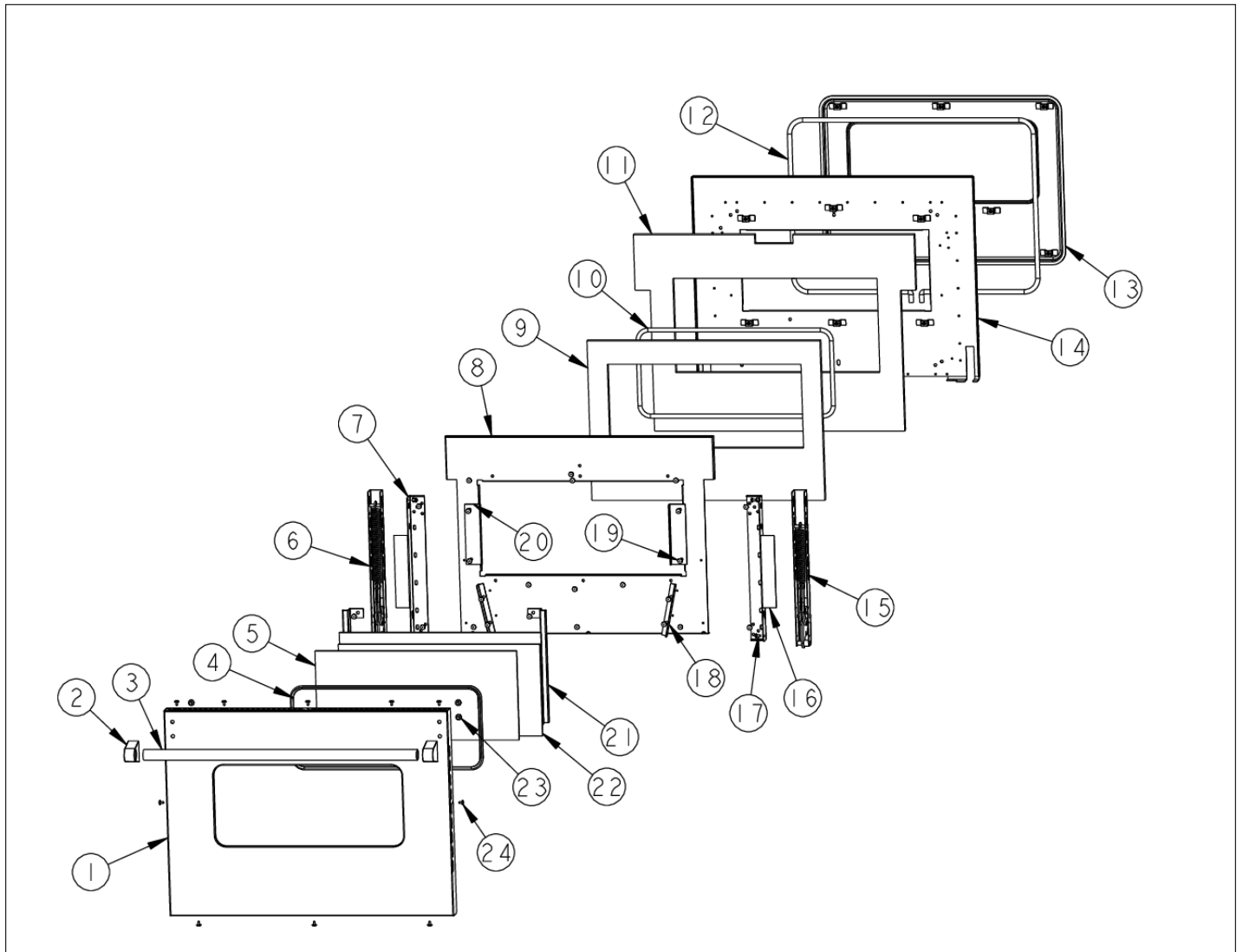


Item	Part No.	Name	Qty	Uom	NOTES
19	PD020002	10 X 1/2 PH.TR.HD.SMS.	1	EA	
20	A2002189	DOOR GLASS STANDOFF (VDSC)	1	EA	
21	A2002367	DOOR GLASS BRKT	1	EA	
22	PE060039	GLASS-HEAT TREATED (HB2) VDSC	1	EA	
23	PD010019	BLT-1/4-20X3/8"HEX WASHER SERATED	1	EA	
24	PD020032	SRW-8(A)X3/8"PH.WFR HD 7/16DIA*NICL	1	EA	
NI	000938-007	COMPLETE DOOR ASSY. - AL	1	EA	Not available online / Call for pricing and availability
NI	000938-107	COMPLETE DOOR ASSY. - ALBR	1	EA	Not available online / Call for pricing and availability
NI	000938-002	COMPLETE DOOR ASSY. - BK	1	EA	Not available online / Call for pricing and availability
NI	000938-102	COMPLETE DOOR ASSY. - BKBR	1	EA	Not available online / Call for pricing and availability
NI	000938-003	COMPLETE DOOR ASSY. - BT	1	EA	Not available online / Call for pricing and availability
NI	000938-103	COMPLETE DOOR ASSY. - BTBR	1	EA	Not available online / Call for pricing and availability
NI	000938-008	COMPLETE DOOR ASSY. - BU	1	EA	Not available online / Call for pricing and availability
NI	000938-108	COMPLETE DOOR ASSY. - BUBR	1	EA	Not available online / Call for pricing and availability
NI	000938-013	COMPLETE DOOR ASSY. - CB	1	EA	Not available online / Call for pricing and availability
NI	000938-113	COMPLETE DOOR ASSY. - CBBR	1	EA	Not available online / Call for pricing and availability





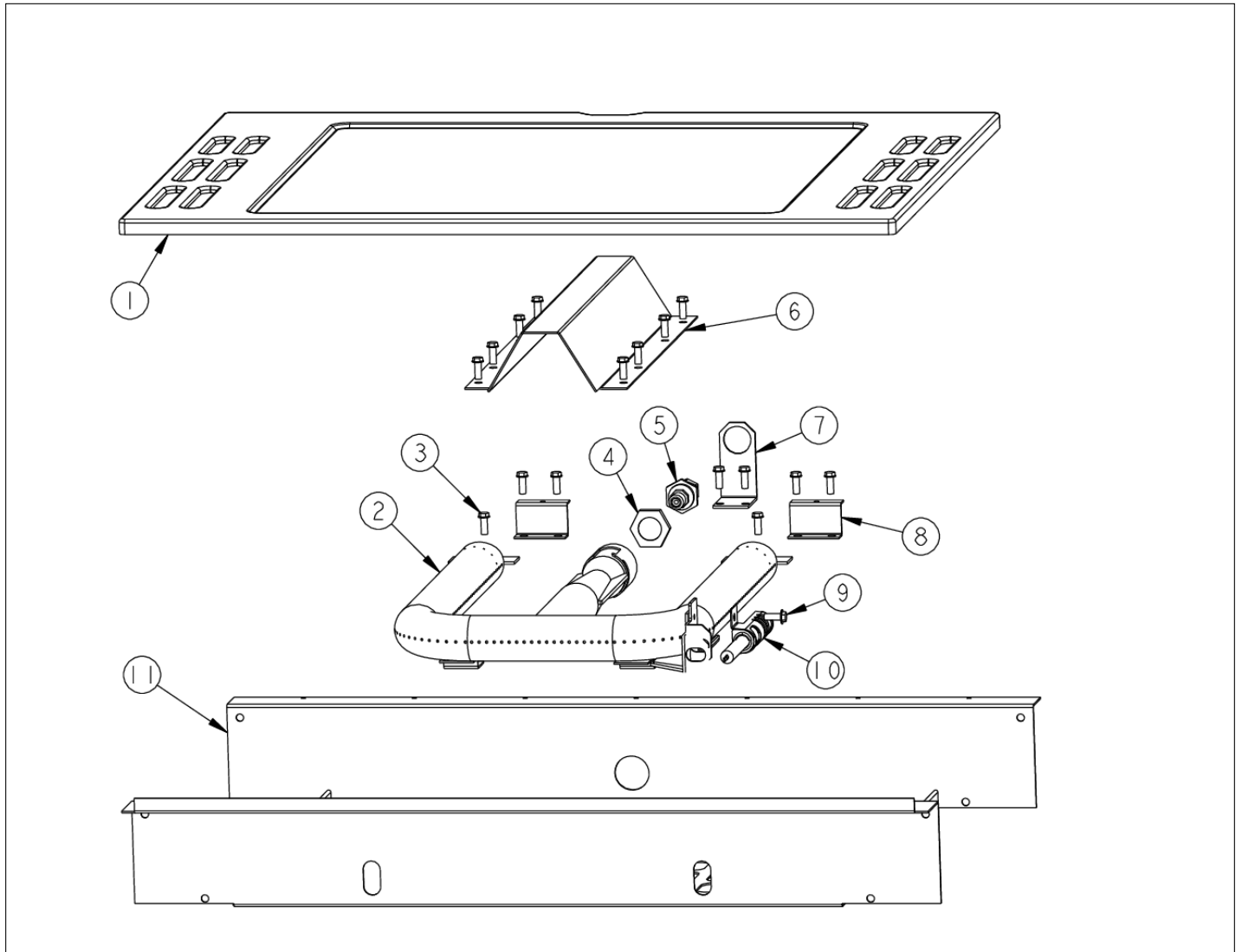
Item	Part No.	Name	Qty	Uom	NOTES
NI	000938-014	COMPLETE DOOR ASSY. - EP	1	EA	Not available online / Call for pricing and availability
NI	000938-114	COMPLETE DOOR ASSY. - EPBR	1	EA	Not available online / Call for pricing and availability
NI	000938-011	COMPLETE DOOR ASSY. - FG	1	EA	Not available online / Call for pricing and availability
NI	000938-111	COMPLETE DOOR ASSY. - FGBR	1	EA	Not available online / Call for pricing and availability
NI	000938-005	COMPLETE DOOR ASSY. - GG	1	EA	Not available online / Call for pricing and availability
NI	000938-105	COMPLETE DOOR ASSY. - GGBR	1	EA	Not available online / Call for pricing and availability
NI	000938-009	COMPLETE DOOR ASSY. - LE	1	EA	Not available online / Call for pricing and availability
NI	000938-109	COMPLETE DOOR ASSY. - LEBR	1	EA	Not available online / Call for pricing and availability
NI	000938-010	COMPLETE DOOR ASSY. - MJ	1	EA	Not available online / Call for pricing and availability
NI	000938-110	COMPLETE DOOR ASSY. - MJBR	1	EA	Not available online / Call for pricing and availability
NI	000938-004	COMPLETE DOOR ASSY. - SG	1	EA	Not available online / Call for pricing and availability
NI	000938-104	COMPLETE DOOR ASSY. - SGBR	1	EA	Not available online / Call for pricing and availability
NI	000938-000	DOOR, ASSEMBLY 30" - NLA	1	EA	NO LONGER AVAILABLE





Item	Part No.	Name	Qty	Uom	NOTES
NI	000938-100	DOOR ASSEMBLY, 48" RH (BR)	1	EA	NO LONGER AVAILABLE, Not available online / Call for pricing and availability
NI	000938-012	COMPLETE DOOR ASSY. - VB	1	EA	Not available online / Call for pricing and availability
NI	000938-112	COMPLETE DOOR ASSY. - VB BR	1	EA	Not available online / Call for pricing and availability
NI	000938-006	COMPLETE DOOR ASSY. - WH	1	EA	Not available online / Call for pricing and availability
NI	000938-106	COMPLETE DOOR ASSY. - WH BR	1	EA	Not available online / Call for pricing and availability

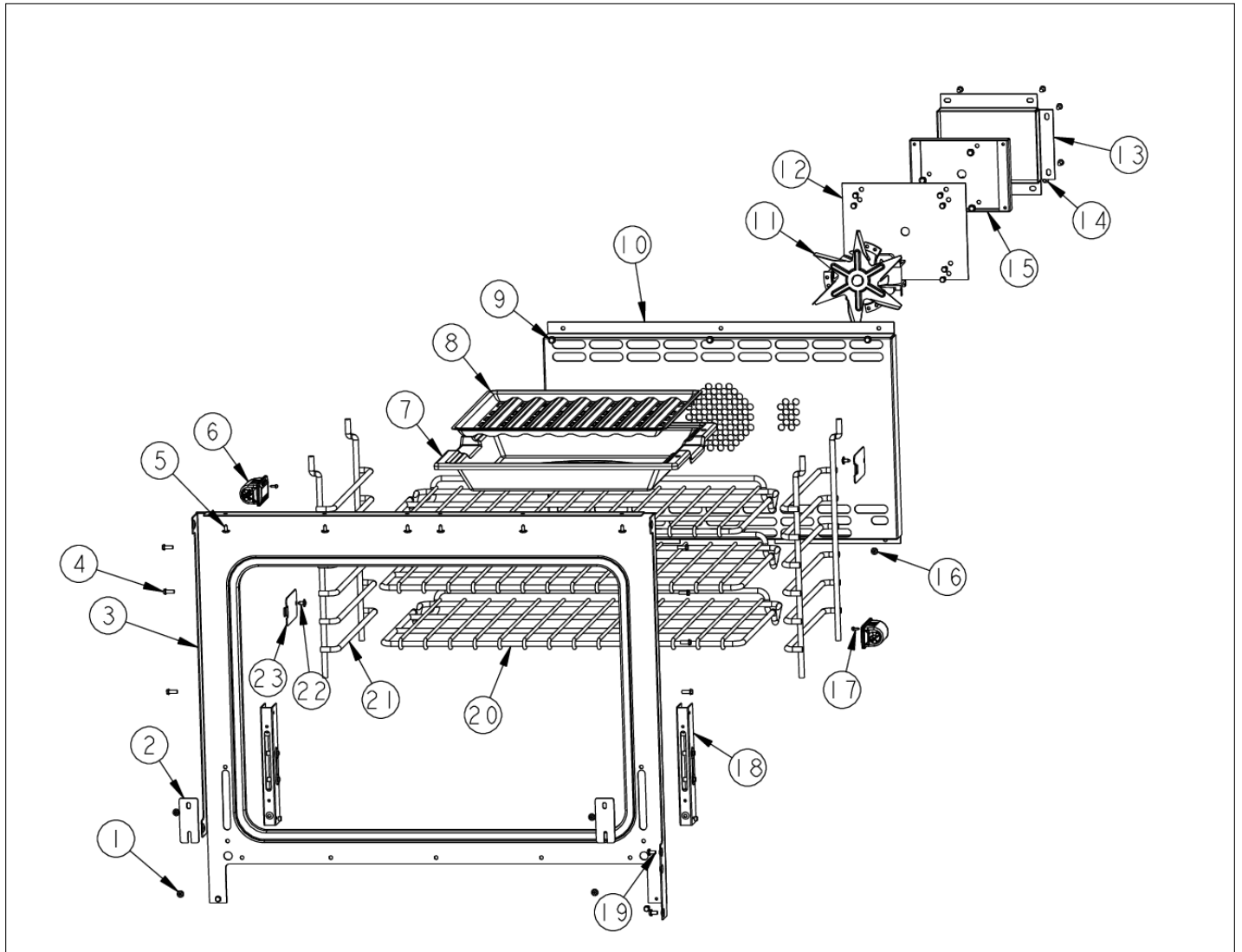
RH OVEN BAKE AREA





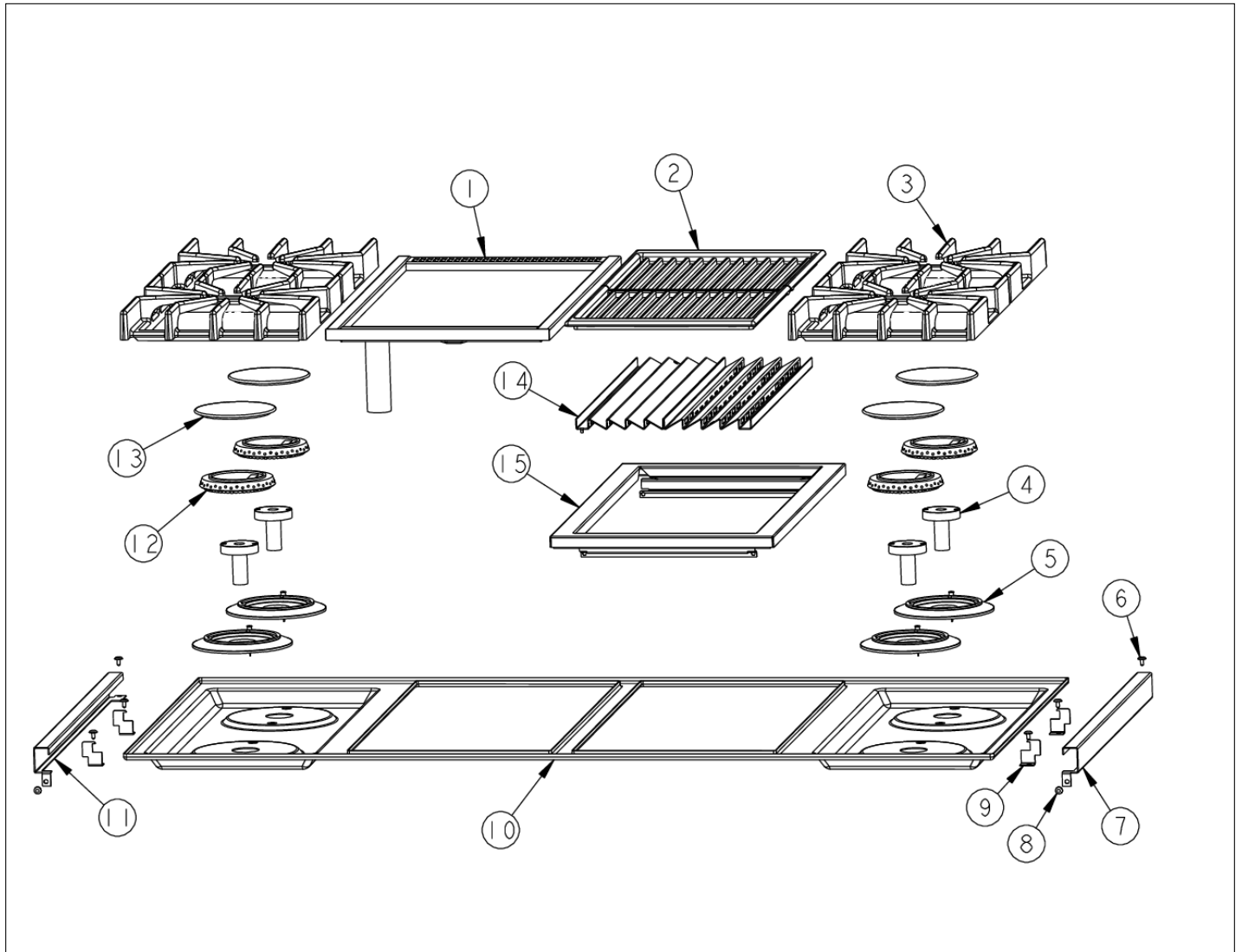
Item	Part No.	Name	Qty	Uom	NOTES
1	068456-000	ASM, BOTTOM, CAVITY, OVEN, GAS, 30", GRAY		EA	
Not Shown	NOTE	(INCLUDES HEAT SHIELD)		EA	
2	006197-000	U-SHAPE BAKE BURNER 8"		EA	
3	PD020060	10 X 1/2" (5/16)HEX WSHER HD.(T)A		EA	
4	PD030018	PALNUT - 3/4-16		EA	
5	PB040265	BULKHEAD ORIFICE FITTING		EA	
5	PB040246	SUB TO PB040035 - #51 ORIFICE HOOD		EA	NO LONGER AVAILABLE
6	A2004424	BURNER COVER (VGSC306)		EA	
7	A2004434	ORIFICE BRACKET (VGSC306)		EA	Not available online / Call for pricing and availability
8	B2004415	BURNER BRACKET (VGSC306)		EA	
9	PD020048	NO.10 X 1/2 TEK 410 SS SCREW		EA	
10	PB040170	BAKE IGNITION ELECTRODE		EA	
11	A20010137	30" CAVITY BOTTOM/48" RH BOTTOM		EA	NO LONGER AVAILABLE, Not available online / Call for pricing and availability

RH OVEN MAIN CAVITY



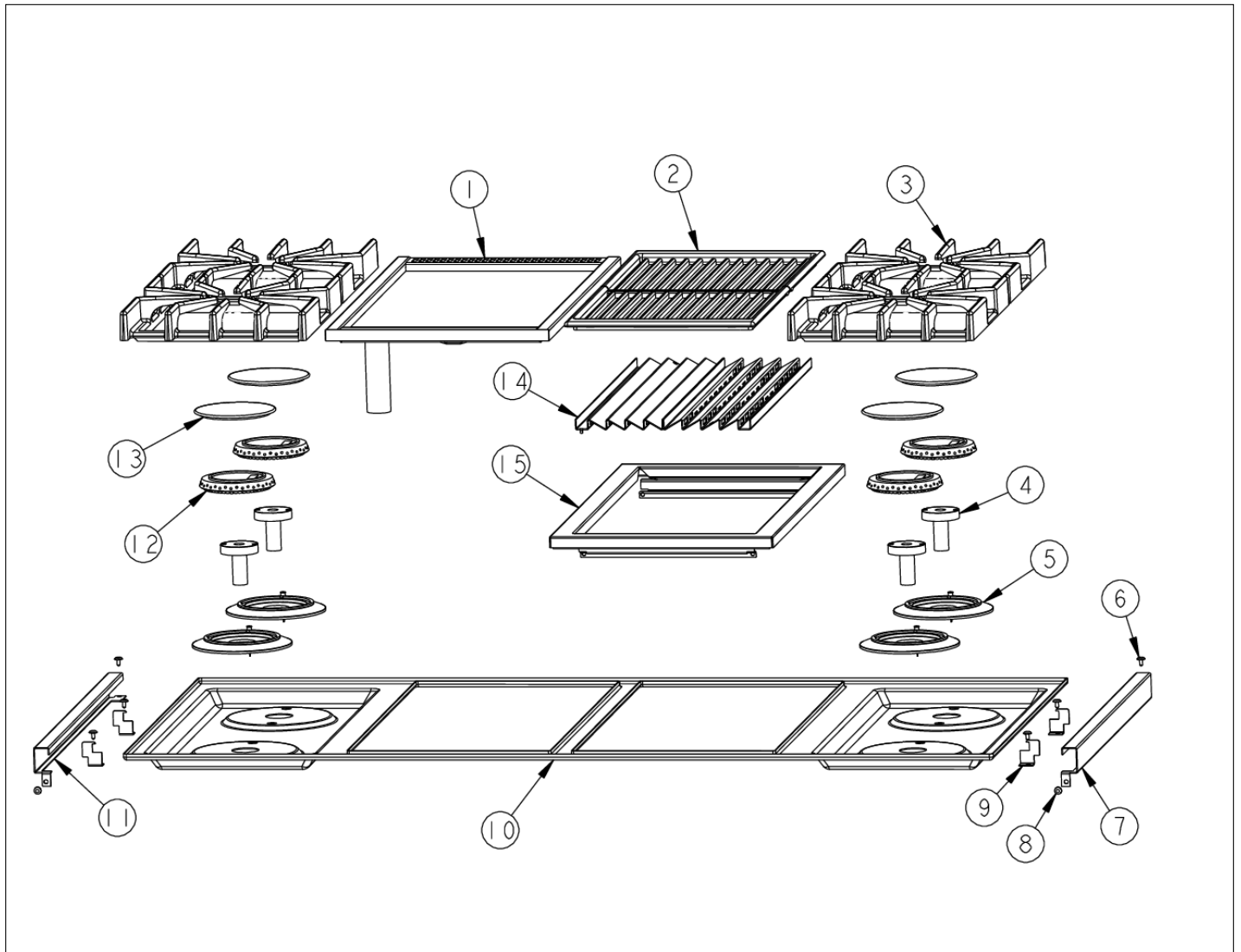
Item	Part No.	Name	Qty	Uom	NOTES
1	003083-000	#8-18 x 1/2" PHIL FLAT TOP TRUSS HD AB SCREW	1	EA	
2	B1007913	HINGE CLIP (DESIGNER TIME PIECE)	1	EA	
3	000991-000	FRONT FRAME 48" RH WELD ASSY	1	EA	NO LONGER AVAILABLE
4	PD020060	10 X 1/2" (5/16)HEX WSHR HD.(T)A	1	EA	
5	PD020032	SRW-8(A)X3/8"PH.WFR HD 7/16DIA*NICL	1	EA	
6	005311-000	LAMP, OVEN, 120V/25W	1	EA	
7	E9107933	BROILER PAN	1	EA	
8	E9107934	BROILER PAN INSERT - NLA	1	EA	
9	PD020048	NO.10 X 1/2 TEK 410 SS SCREW	1	EA	
10	G9104482	CONVECTION FAN COVER ASSY (VGSC306)	1	EA	
11	PE050057	CONVECTION FAN (VGSC306)	1	EA	
12	A1002596	CONVECTION FAN COVER (VDSC)	1	EA	
13	A2008467	INSULATION SHIELD	1	EA	
14	PD020010	10 X 3/8 GREEN GROUNDING SCREW	1	EA	
15	A2002595	CONVECTION FAN BOX (VDSC)	1	EA	
16	M0210443	SCREW-E SM VM0210443	1	EA	
17	PD020013	TYPE "AB" #6 X 3/8 PH PAN HD. SMS	1	EA	
18	PC020295	HINGE RECEIVER ASSEMBLY	1	EA	
19	PD020004	10X3/8PH.HD.TYPE 25 REPL PD040125	1	EA	
20	PB060044	OVEN RK VDSC30/48RH REPL PB060019	1	EA	
21	PB060030	RACK SUPT REPL PB060010	1	EA	
22	PD020063	SCREW-#8(A) X 3/8"PH WFR HD/BK OXID	1	EA	
23	E91012614	LIGHT HOLE COVER	1	EA	

SURFACE COOKING AREA





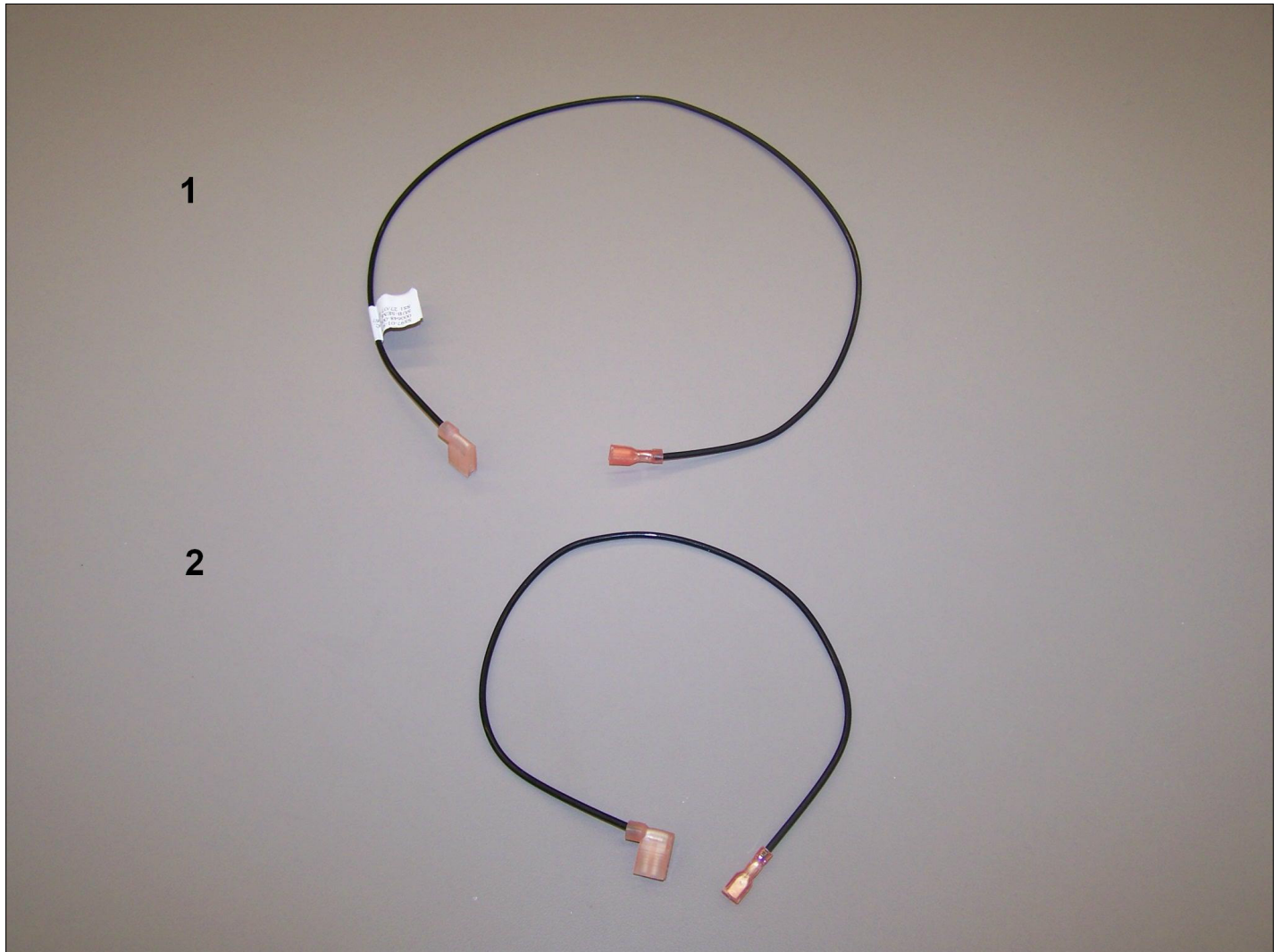
Item	Part No.	Name	Qty	Uom	NOTES
1	003208-000	12" SEALED GRIDDLE FRAME ASSY	1	EA	
2	PA060058	GRILL GRATE - MATT *BK* RE PA060028	1	EA	
3	PA060054	Burner Grate - BK	1	EA	
4	PA010100	Burner Venturi	1	EA	
Not Shown	NOTE	(BEFORE 12/17/07)		EA	
5	PB050081	BURNER BASE ASM	1	EA	
Not Shown	NOTE	(INCLUDES IGNITER) - (BEFORE 12/18/07)		EA	
NI	003322-040	SEALED BURNER BASE, TURNED FINISH	1	EA	
Not Shown	NOTE	(INCLUDES IGNITER) - AFTER 12/18/07		EA	
6	PD020032	SRW-8(A)X3/8"PH.WFR HD 7/16DIA*NICL	1	EA	
7	B20012923	Side Trim - RH (SS)	1	EA	
7	C93012923BR	Side Trim - RH (BR)	1	EA	
8	PD020004	10X3/8PH.HD.TYPE 25 REPL PD040125	1	EA	
9	A2007858	SIDE TRIM BRKT	1	EA	
10	E9109803BK	48" SEALED COOKTOP 4BGQ *BK*	1	EA	
10	E9109803WH	48" SEALED COOKTOP 4BGQ *WH*	1	EA	NO LONGER AVAILABLE
11	B20012924	Side Trim - LH (SS)	1	EA	
11	C93012924BR	Side Trim - LH (BR)	1	EA	
12	PB050063	Burner Head	1	EA	
Not Shown	NOTE	(Before 12/18/07)		EA	
NI	018200-000	ADJUSTED SEALED BURNER HEAD	1	EA	
Not Shown	NOTE	(After 12/18/07)		EA	
13	PA080083	D BURNER CAP *MATTE BLACK*	1	EA	
14	E9101130BK	GRILL SMOKE GENERATOR	1	EA	





Item	Part No.	Name	Qty	Uom	NOTES
15	G9109811BK	GRILL GRATE SUPPORT - BK	1	EA	Not available online / Call for pricing and availability
15	G9109811WH	GRILL SUPT ASSY *WH*	1	EA	NO LONGER AVAILABLE, Not available online / Call for pricing and availability
NI	009197-000	#6-32 X 5/8 18-8 SS NC SOC CAP	1	EA	

TOP BURNER IGNITER WIRES

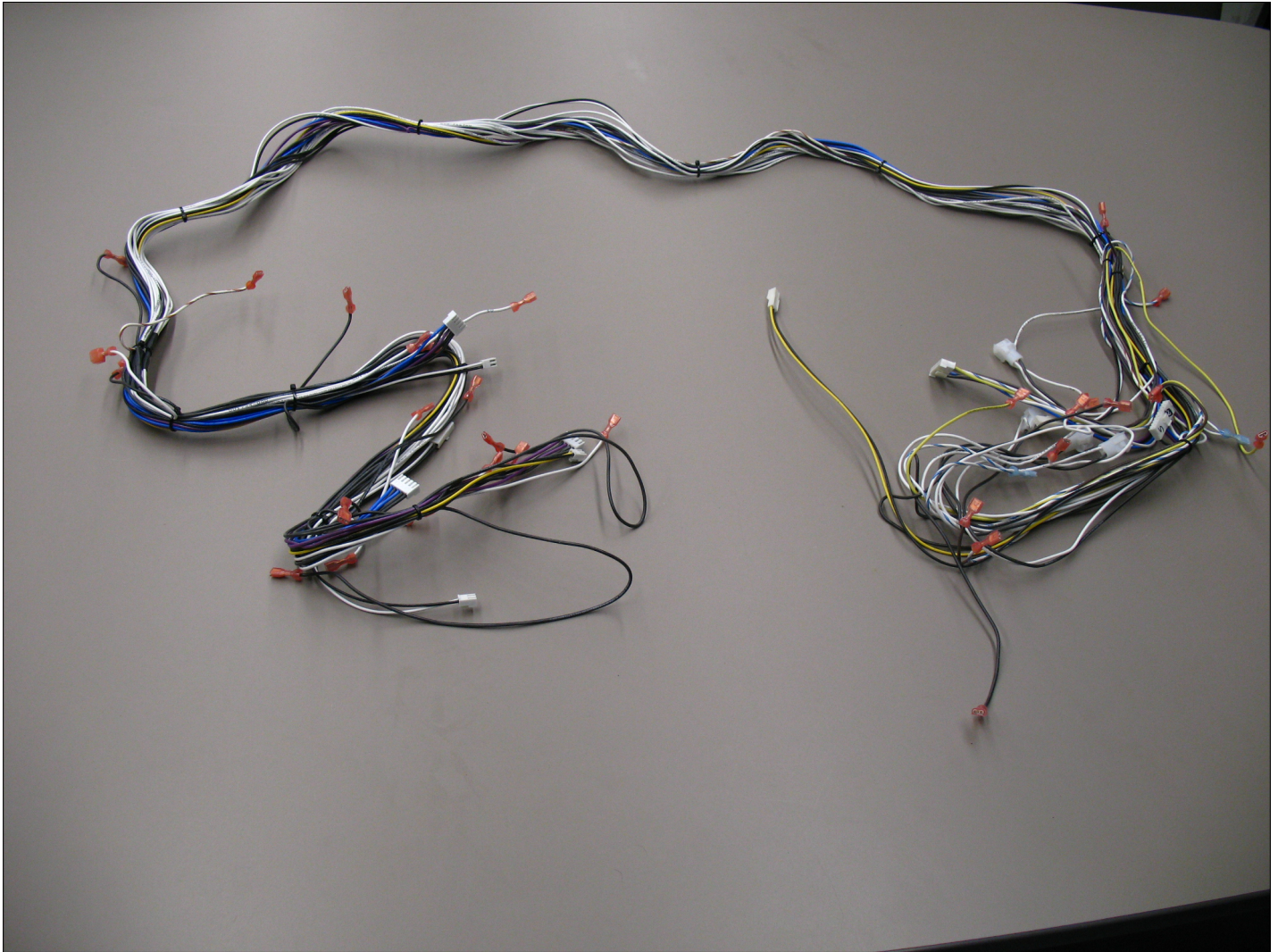




Item	Part No.	Name	Qty	Uom	NOTES
1	006766-000	IRIS IGNITOR WIRE, BACK BURNER	1	EA	
2	000647-000	IRIS IGNITOR WIRE, FRONT BURNER	1	EA	



WIRING HARNESS





Item	Part No.	Name	Qty	Uom	NOTES
1	001734-000	HARNESS,WIRE VGIC48-4GQ	1	EA	



Appendix A:Pages Index

000649-000 GRILL IGNITER WIRE 1
001754-000 POWER DISCONNECT HAR2
001911-000 BAKE IGNITER WIRE 3
001914-000 BROIL IGNITER WIRE 4
001992-000 LH BAKE IGNITER WIRE 5
001993-000 GRIDDLE IGNITER WIRE 6
BROILER AREA7
BURNER BOX INTERIOR 8
CONTROL AREA 9
DRIP TRAY10
G4008493 SUPPLY CORD 11
GRIDDLE SUBASSEMBLY 12
GRILL SUBASSEMBLY 13
LH DOOR ASSEMBLY 14
LH OVEN BAKE AREA 15
LH OVEN MAIN CAVITY 16
LOWER UNIT AND SIDE PANELS 17
PE070245 LIGHT EXT. HARNESS 18
PE070891 IRIS HARNESS 19
REAR ELECTRONICS AND GAS FLOW20
REAR SHEET METAL 21
RH DOOR ASSEMBLY 22
RH OVEN BAKE AREA 23
RH OVEN MAIN CAVITY 24
SURFACE COOKING AREA 25
TOP BURNER IGNITER WIRES 26
WIRING HARNESS 27



Appendix B:Parts Index

000042-000	22	000938-013	22
000075-000	14, 22	000938-014	22
000080-000	14	000938-100	22
000268-000	14, 22	000938-102	22
000381-000	9	000938-103	22
000381-006	9	000938-104	22
000447-000	9	000938-105	22
000447-006	9	000938-106	22
000448-000	9	000938-107	22
000448-006	9	000938-108	22
000594-000	14, 22	000938-109	22
000636-000	13	000938-110	22
000641-000	13	000938-111	22
000647-000	26	000938-112	22
000649-000	1	000938-113	22
000845-000	9	000938-114	22
000847-000	20	000939-000	14
000863-000	20	000946-000	14
000916-000	20	000946-002	14
000917-000	20	000946-003	14
000918-000	20	000946-004	14
000919-000	20	000946-005	14
000921-000	20	000946-006	14
000922-000	20	000946-007	14
000923-000	20	000946-008	14
000927-000	20	000946-009	14
000930-000	9	000946-010	14
000932-000	14, 22	000946-011	14
000938-000	22	000946-012	14
000938-002	22	000946-013	14
000938-003	22	000946-014	14
000938-004	22	000946-100	14
000938-005	22	000946-102	14
000938-006	22	000946-103	14
000938-007	22	000946-104	14
000938-008	22	000946-105	14
000938-009	22	000946-106	14
000938-010	22	000946-107	14
000938-011	22	000946-108	14
000938-012	22	000946-109	14
		000946-110	14



000946-111	14	003348-008	17
000946-112	14	003348-009	17
000946-113	14	003348-010	17
000946-114	14	003348-011	17
000958-000	12	003348-012	17
000967-000	21	003348-013	17
000970-000	12	003348-014	17
000971-000	12	003349-000	17
000972-000	12	003349-002	17
000991-000	24	003349-003	17
001014-000	16	003349-004	17
001141-000	22	003349-005	17
001142-000	22	003349-006	17
001144-000	14	003349-007	17
001145-000	14	003349-008	17
001348-000	7	003349-009	17
001394-042	8	003349-010	17
001394-043	8	003349-011	17
001396-040	8	003349-012	17
001396-044	8	003349-013	17
001734-000	27	003349-014	17
001754-000	2	003439-000	17
001911-000	3	003517-000	9
001914-000	4	005311-000	16, 24
001992-000	5	006197-000	23
001993-000	6	006766-000	26
002513-000	12	008091-000	12
002884-000	9	009197-000	25
002888-000	8	013213-000	9
002889-000	8	018200-000	25
003083-000	16, 24	050172-000	9
003208-000	25	068456-000	23
003226-000	20	068457-000	15
003322-040	25	A1001138	9
003348-000	17	A1002596	24
003348-002	17	A1005571	15
003348-003	17	A1007861	12, 13
003348-004	17	A2000210	8
003348-005	17	A20010137	23
003348-006	17	A20010139	15
003348-007	17	A20010162	13



A20010184	8	C9001241CB	17
A20010657	12	C9001241EP	17
A20010693	10	C9001241FG	17
A2001132	13	C9001241GG	17
A20013319	8	C9001241LE	17
A20015315	22	C9001241MJ	17
A2001631	13	C9001241SG	17
A2001633	13	C9001241VB	17
A2001855	13	C9001241WH	17
A2001863	13	C9002504AL	14
A2002189	22	C9002504BK	14
A2002367	22	C9002504BT	14
A2002497	22	C9002504BU	14
A2002595	24	C9002504CB	14
A2004424	23	C9002504EP	14
A2004434	23	C9002504FG	14
A2004481	17	C9002504GG	14
A2005579	15	C9002504LE	14
A2005583	21	C9002504MJ	14
A2005584	17	C9002504SG	14
A2007858	25	C9002504VB	14
A2007863	13	C9002504WH	14
A2007871	13	C9002528AL	22
A2008467	24	C9002528BK	22
B1007913	16, 24	C9002528BT	22
B20010163	13	C9002528BU	22
B2001241	17	C9002528CB	22
B20012923	25	C9002528EP	22
B20012924	25	C9002528FG	22
B2001448	7	C9002528GG	22
B2002504	14	C9002528LE	22
B2002528	22	C9002528MJ	22
B2004415	23	C9002528SG	22
B2005589	7	C9002528VB	22
B2005683	17	C9002528WH	22
B2009846	13	C9005683AL	17
B9202373	9	C9005683BK	17
C9001241AL	17	C9005683BT	17
C9001241BK	17	C9005683BU	17
C9001241BT	17	C9005683CB	17
C9001241BU	17	C9005683EP	17



C9005683FG	17	PB010206	9
C9005683GG	17	PB010207	9
C9005683LE	17	PB010209	9
C9005683MJ	17	PB020025	13
C9005683SG	17	PB020136	15, 20
C9005683VB	17	PB020192	8
C9005683WH	17	PB020193	8
C93012923BR	25	PB030006	9
C93012924BR	25	PB040027	7
E9101130BK	25	PB040040	7
E91012614	24	PB040062	15
E9102668	14	PB040170	23
E9107933	24	PB040171	7
E9107934	24	PB040178	7
E9109803BK	25	PB040190	12
E9109803WH	25	PB040194	8
G30010697	10	PB040217	8
G30012657	13	PB040229	15
G30013336	10	PB040246	23
G3001876	7	PB040265	23
G3009843	9	PB040273	15
G4008493	11	PB050063	25
G9104482	24	PB050074	12
G9109811BK	25	PB050077	13
G9109811WH	25	PB050080	15
G93011461PVD	10	PB050081	25
J2101749	10	PB060030	16, 24
M0210443	24	PB060044	24
PA010100	25	PB060046	16
PA010122	9	PB070145	14, 14, 22, 22
PA010123	9	PC020222	14, 22
PA010185	9	PC020223	22
PA020028	13	PC020295	16, 24
PA020056	20	PC030017	17
PA020058	9	PC040010	8
PA050086	8	PD010003	9
PA060054	25	PD010012	9, 20
PA060058	25	PD010019	14, 22
PA070003	9	PD020002	13, 14, 22
PA080075	8	PD020004	8, 9, 12, 13, 14, 16, 17, 22, 24, 25
PA080083	25	PD020010	24



PD020013	16, 24	PE060049	14
PD020014	20	PE070245	18
PD020032	14, 16, 17, 22, 24, 25	PE070891	19
PD020033	9	PK000007	8
PD020044	9	PK000008	8
PD020046	9		
PD020048	7, 15, 16, 21, 23, 24		
PD020060	7, 15, 16, 17, 20, 21, 23, 24		
PD020063	24		
PD020076	8		
PD020079	10		
PD030005	9		
PD030006	9, 14		
PD030018	7, 15, 23		
PD040004	10		
PD040028	10		
PE010030	14		
PE010031	14		
PE010068	14		
PE010076	14		
PE010081	9		
PE010082	9		
PE030001PVD	14, 22		
PE030005	22		
PE030008	14		
PE030012PVD	22		
PE030014PVD	14		
PE050001	20		
PE050016	9		
PE050017	9		
PE050023	9		
PE050024	9		
PE050057	24		
PE050206	7, 12, 16		
PE060030	22		
PE060031	22		
PE060032	14		
PE060039	22		
PE060045	22		
PE060046	14		
PE060048	14		