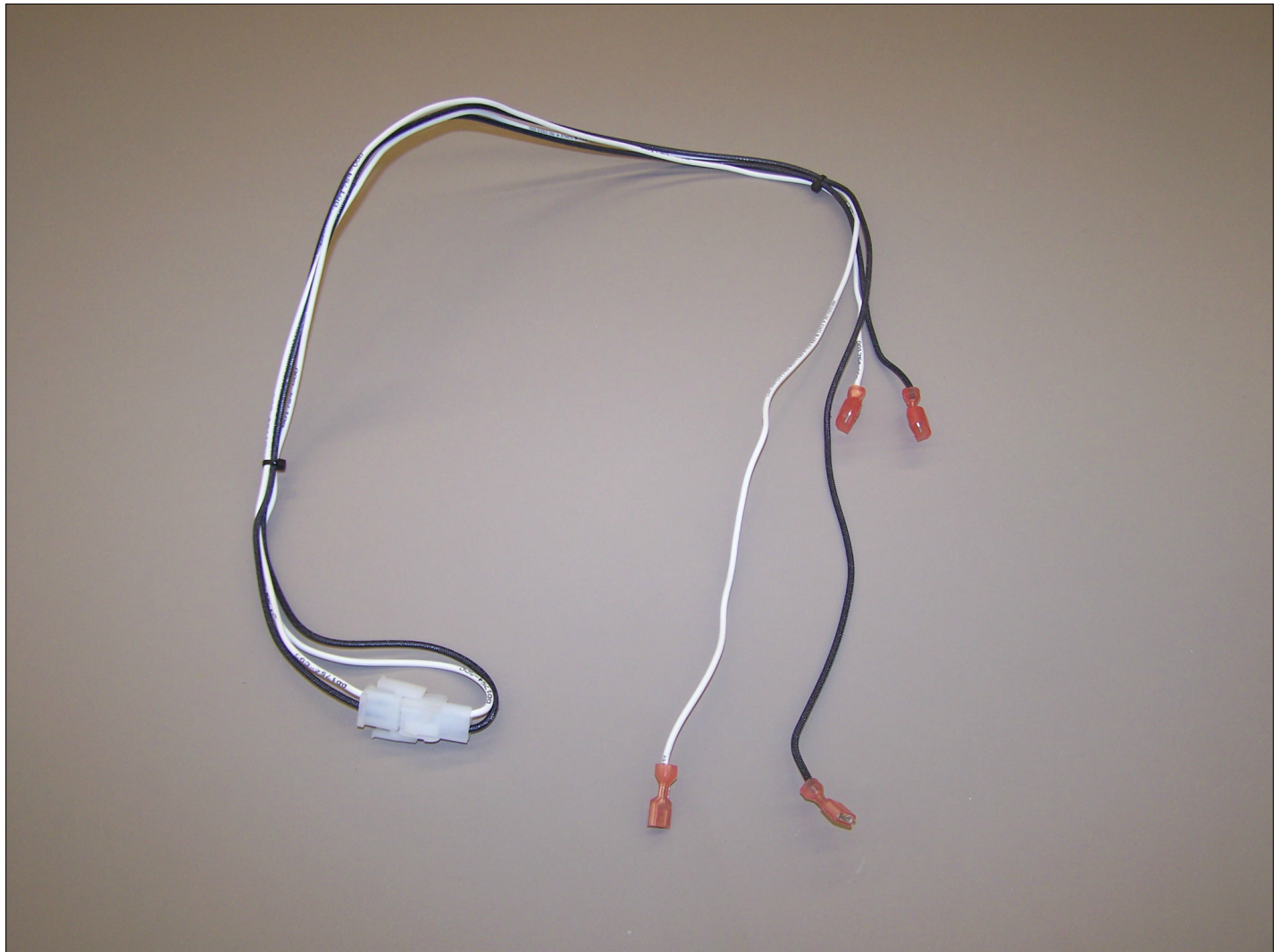


VGIC488-4G

001754-000 POWER DISCONNECT HAR	1
001911-000 BAKE IGNITER WIRE	2
001914-000 BROIL IGNITER WIRE	3
001992-000 LH BAKE IGNITER WIRE	4
001993-000 GRIDDLE IGNITER WIRE	5
BROILER AREA	6
BURNER BOX INTERIOR	7
CONTROL AREA	8
DRIP TRAY	9
G4008493 SUPPLY CORD	10
GRIDDLE SUBASSEMBLY	11
LH DOOR ASSEMBLY	12
LH OVEN BAKE AREA	13
LH OVEN MAIN CAVITY	14
LOWER UNIT AND SIDE PANELS	15
PE070245 LIGHT EXT. HARNESS	16
PE070891 IRIS HARNESS	17
REAR ELECTRONICS AND GAS FLOW	18
REAR SHEET METAL	19
RH DOOR ASSEMBLY	20
RH OVEN BAKE AREA	21
RH OVEN MAIN CAVITY	22
SURFACE COOKING AREA	23
TOP BURNER IGNITER WIRES	24
WIRE HARNESS	25
WIRING DIAGRAM	26
Appendix A:Pages Index	A
Appendix B:Parts Index	B

001754-000 POWER DISCONNECT HAR

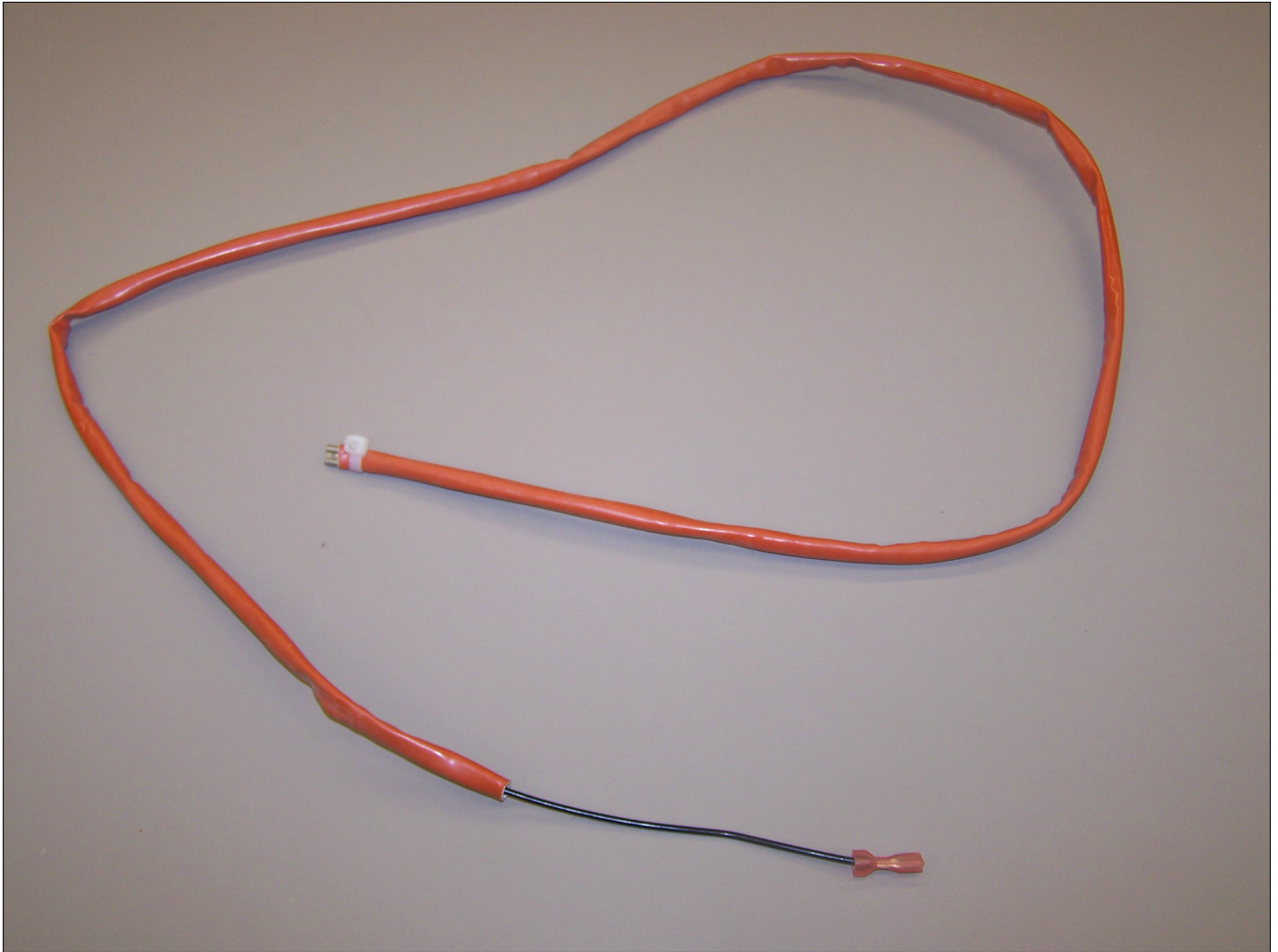




Item	Part No.	Name	Qty	Uom	NOTES
1	001754-000	HARNESS POWER DISCONNECT	1	EA	



001911-000 BAKE IGNITER WIRE

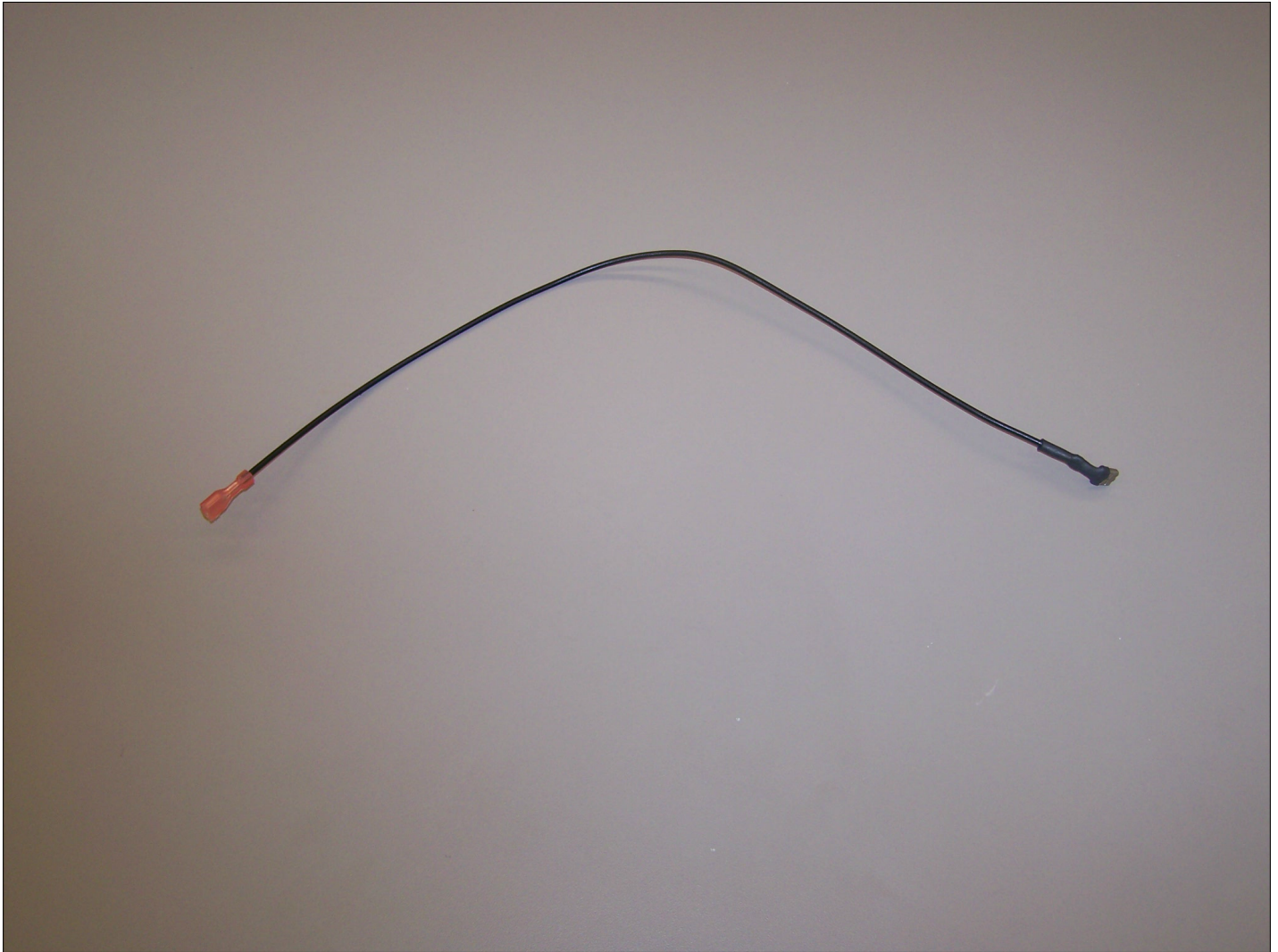




Item	Part No.	Name	Qty	Uom	NOTES
1	001911-000	WIRE, ASSY, BAKE IGNITOR	1	EA	



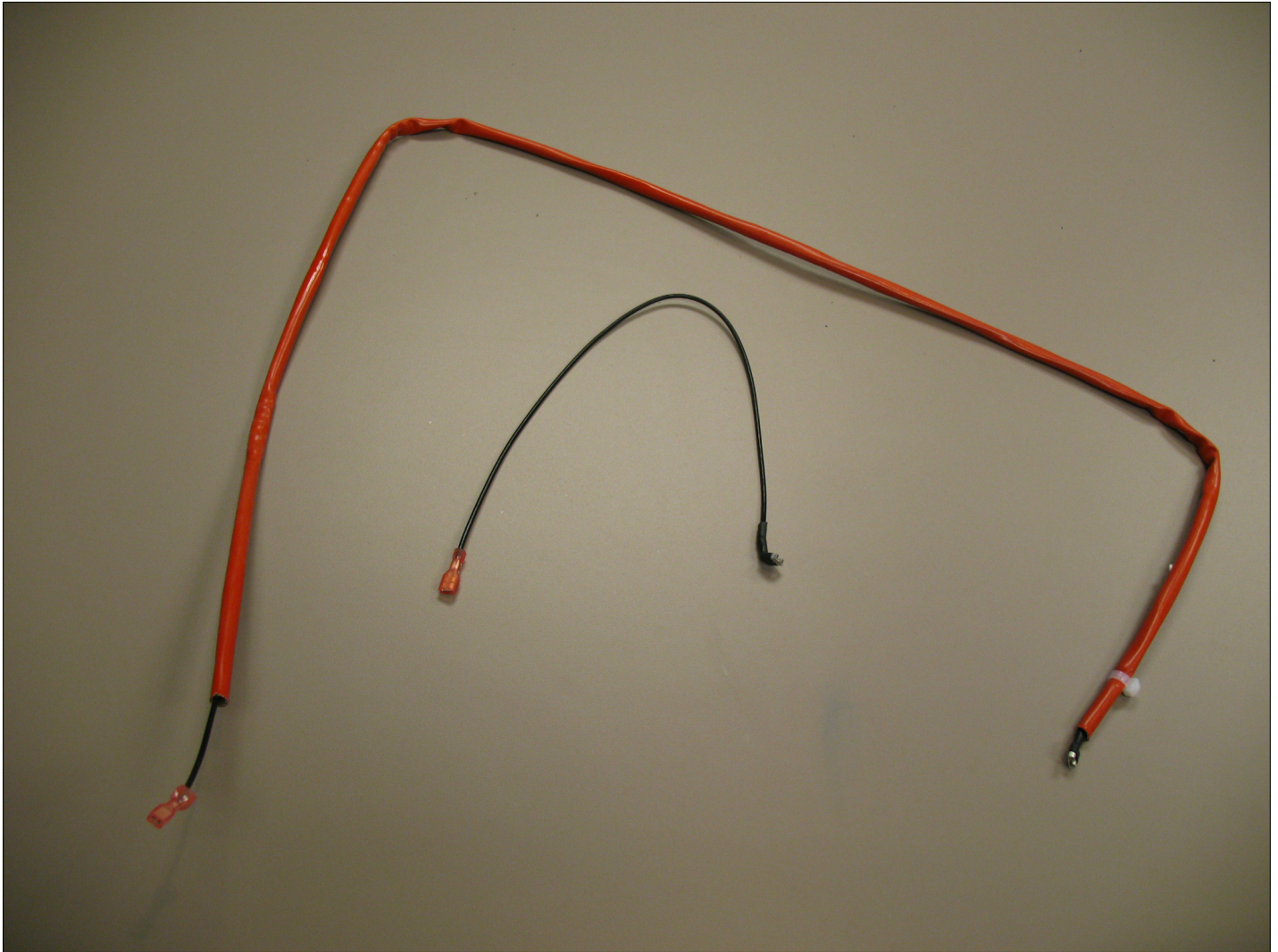
001914-000 BROIL IGNITER WIRE





Item	Part No.	Name	Qty	Uom	NOTES
1	001914-000	WIRE, ASSY, BROIL IGNITOR	1	EA	

001992-000 LH BAKE IGNITER WIRE



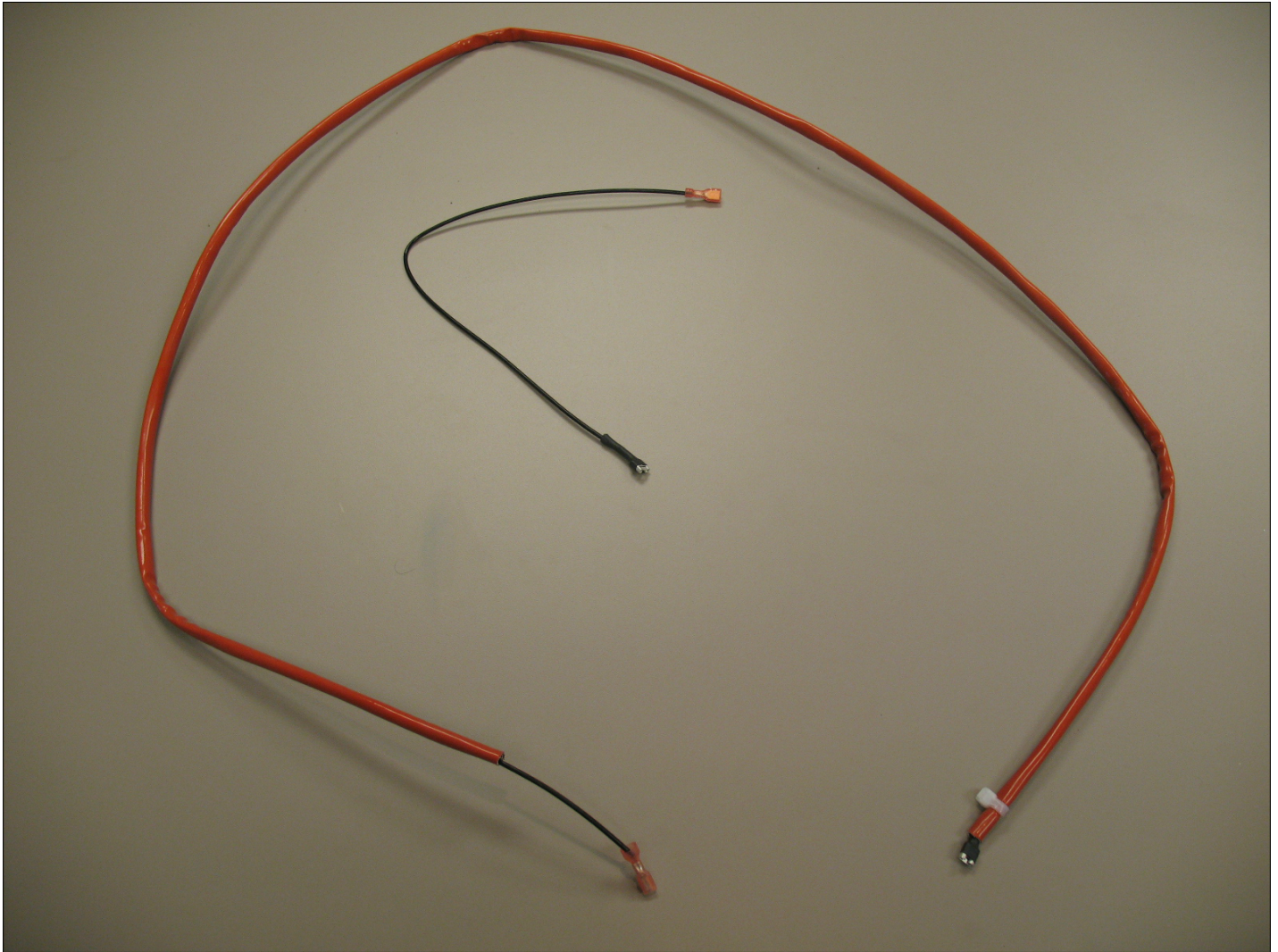


Item	Part No.	Name	Qty	Uom	NOTES
1	001992-000	WIRE,ASSY,LH BAKE IGNITOR	1	EA	



VGIC488-4G

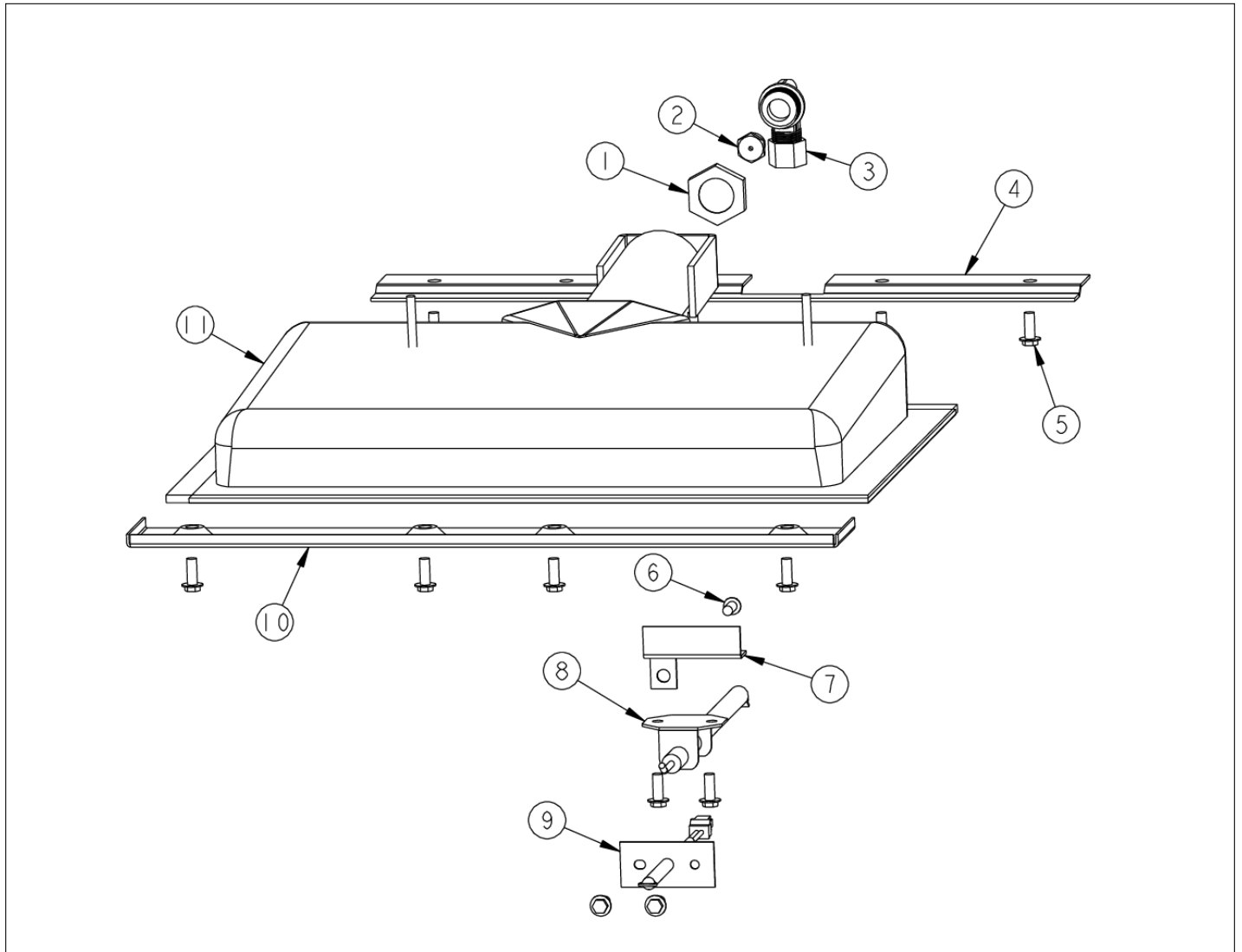
001993-000 GRIDDLE IGNITER WIRE





Item	Part No.	Name	Qty	Uom	NOTES
1	001993-000	WIRE,ASSY,GRIDDLE IGNITOR	1	EA	

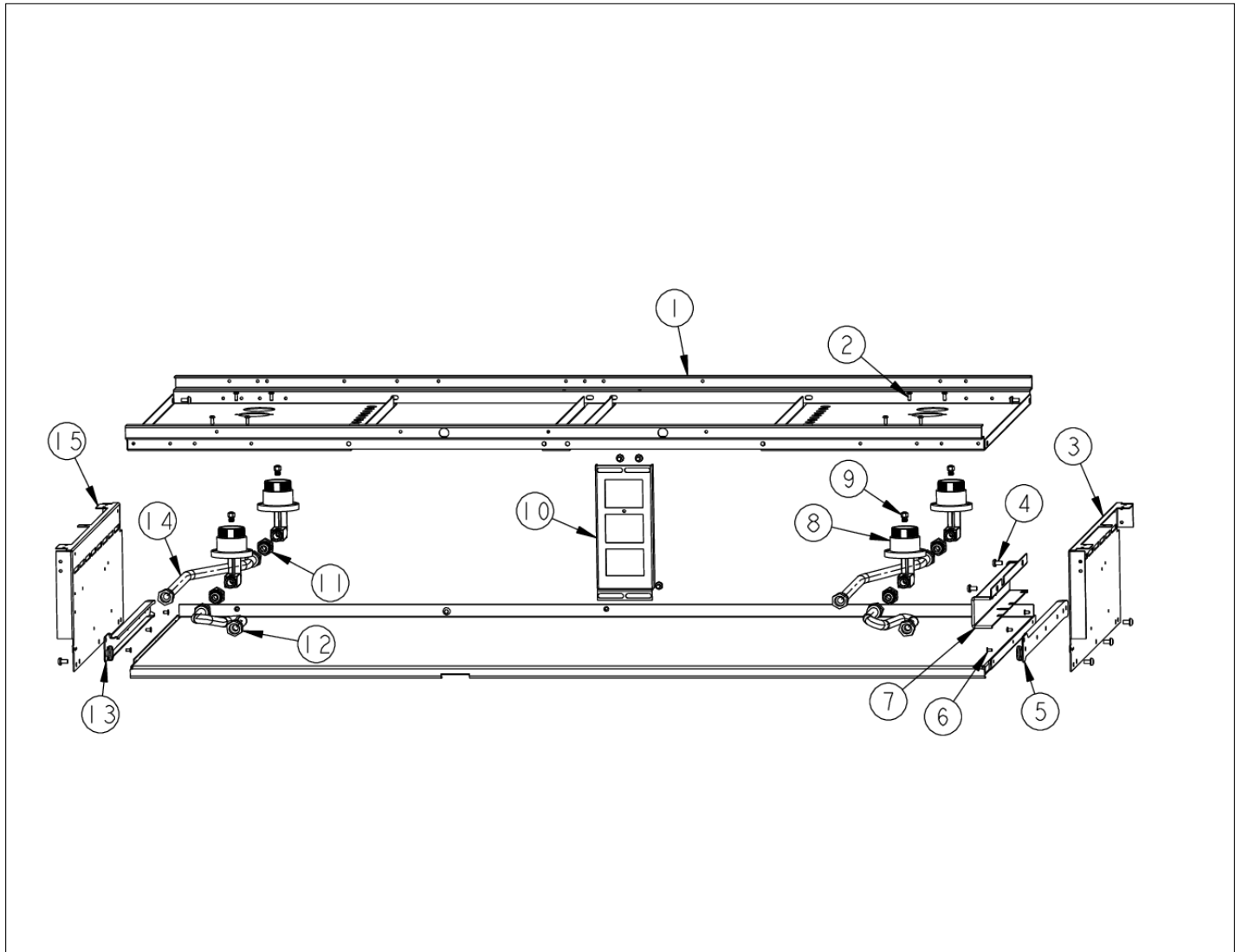
BROILER AREA





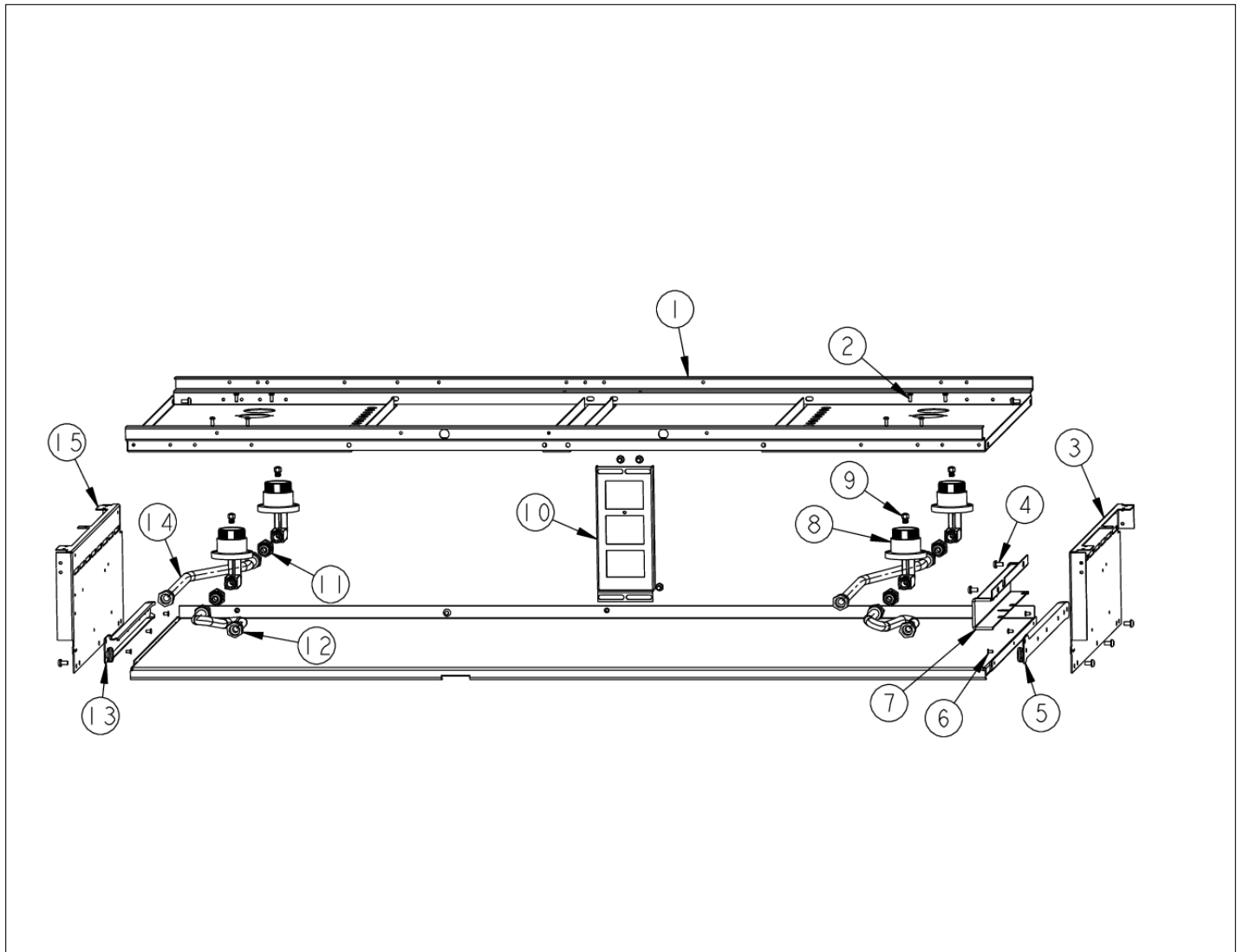
Item	Part No.	Name	Qty	Uom	NOTES
1	PD030018	PALNUT - 3/4-16	1	EA	
2	PB040040	ORIFICE-IR BURNER (VGSC)	1	EA	
Not Shown	PB040027	IR BUR.SPUD ORF. - #56 LP	1	EA	
3	PB040178	90 DEGREE ORIFICE FITTING (VGSC306)	1	EA	
4	B2005589	REAR BROILER BRACKET	1	EA	Not available online / Call for pricing and availability
5	PD020048	NO.10 X 1/2 TEK 410 SS SCREW	1	EA	
6	PD020060	10 X 1/2" (5/16)HEX WSHER HD.(T)A	1	EA	
7	001348-000	BROIL INSULATION RETAINER	1	EA	NO LONGER AVAILABLE
8	PB040171	BROIL IGNITION ELECTRODE	1	EA	
9	PE050206	RTD THERMOSTAT PROBE	1	EA	
10	B2001448	IR BROIL SUPT (FRONT)	1	EA	
11	G3001876	IR BURNER ASSY (VGSC/RC) N/S	1	EA	

BURNER BOX INTERIOR





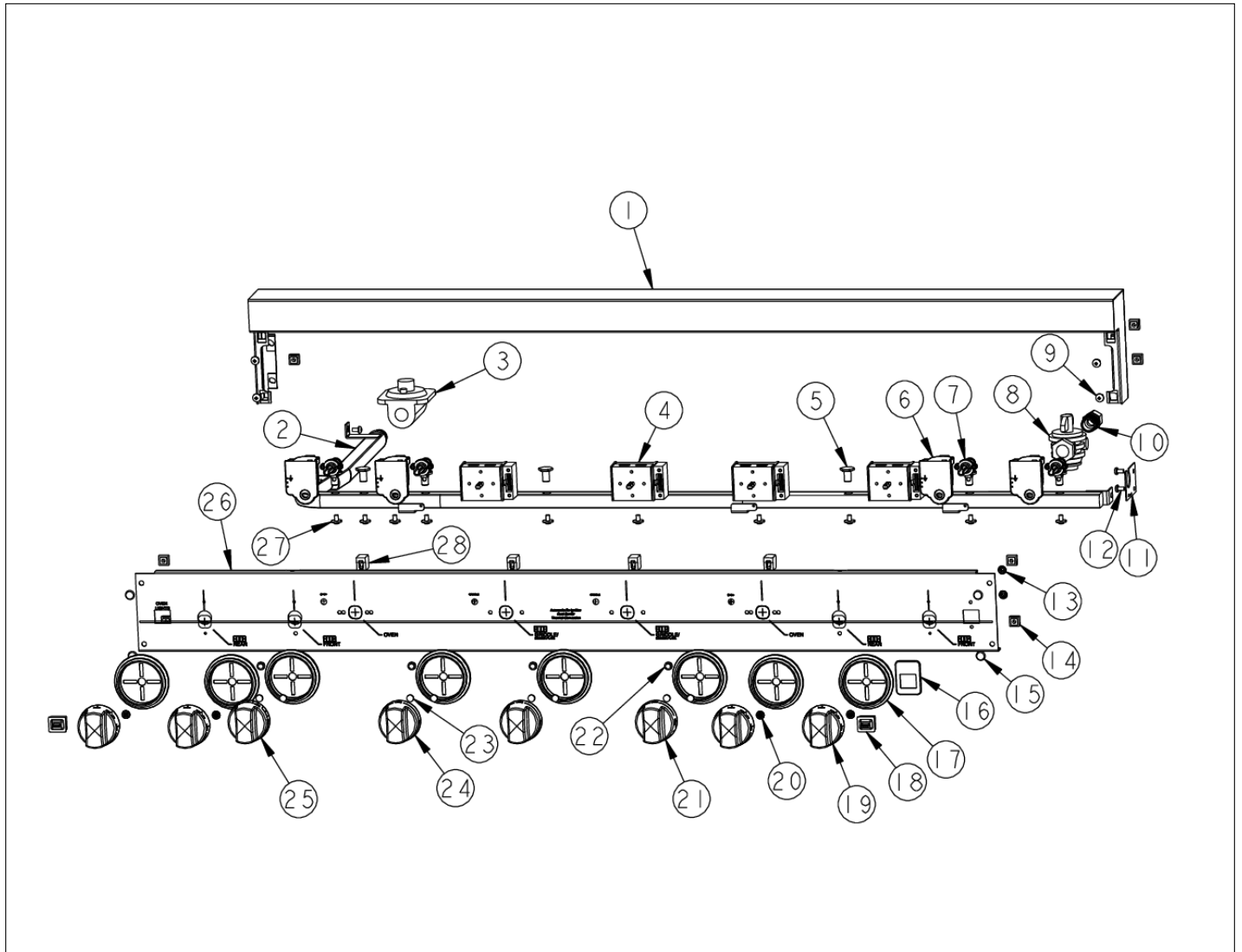
Item	Part No.	Name	Qty	Uom	NOTES
1	A20010184	48" SEALED BURNER SUPPORT	1	EA	
2	PD020076	6-32 X 3/8" PHILL PAN MS	1	EA	
3	002888-000	BURNER BOX SIDE-RH	1	EA	NO LONGER AVAILABLE, Not available online / Call for pricing and availability
4	PD020004	10X3/8PH.HD.TYPE 25 REPL PD040125	1	EA	
5	PK000008	Drip Tray Guide - RH	1	EA	NO LONGER AVAILABLE
6	PC040010	POP RIVET (.063/GR -.125) GAMD42-A	1	EA	
7	A2000210	WIRE CHANNEL	1	EA	NO LONGER AVAILABLE, Not available online / Call for pricing and availability
8	PA080075	Burner Body	1	EA	
Not Shown	NOTE	(Before 12/18/07)		EA	
Not Shown	001394-042	15000 BTU NAT JETHOLDER	1	EA	
Not Shown	NOTE	(After 12/18/07)		EA	
Not Shown	001394-043	13500 BTU LP JETHOLDER	1	EA	
Not Shown	NOTE	(After 12/18/07)		EA	
9	PB040194	Orifice - Nat.	1	EA	
Not Shown	NOTE	(Before 12/18/07)		EA	
Not Shown	001396-040	15K NG ORIFICE	1	EA	
Not Shown	NOTE	(After 12/18/07)		EA	
Not Shown	PB040217	L.P. ORIFICE	1	EA	
Not Shown	NOTE	(Before 12/18/07)		EA	
Not Shown	001396-044	13.5K LP ORIFICE	1	EA	
Not Shown	NOTE	(After 12/18/07)		EA	





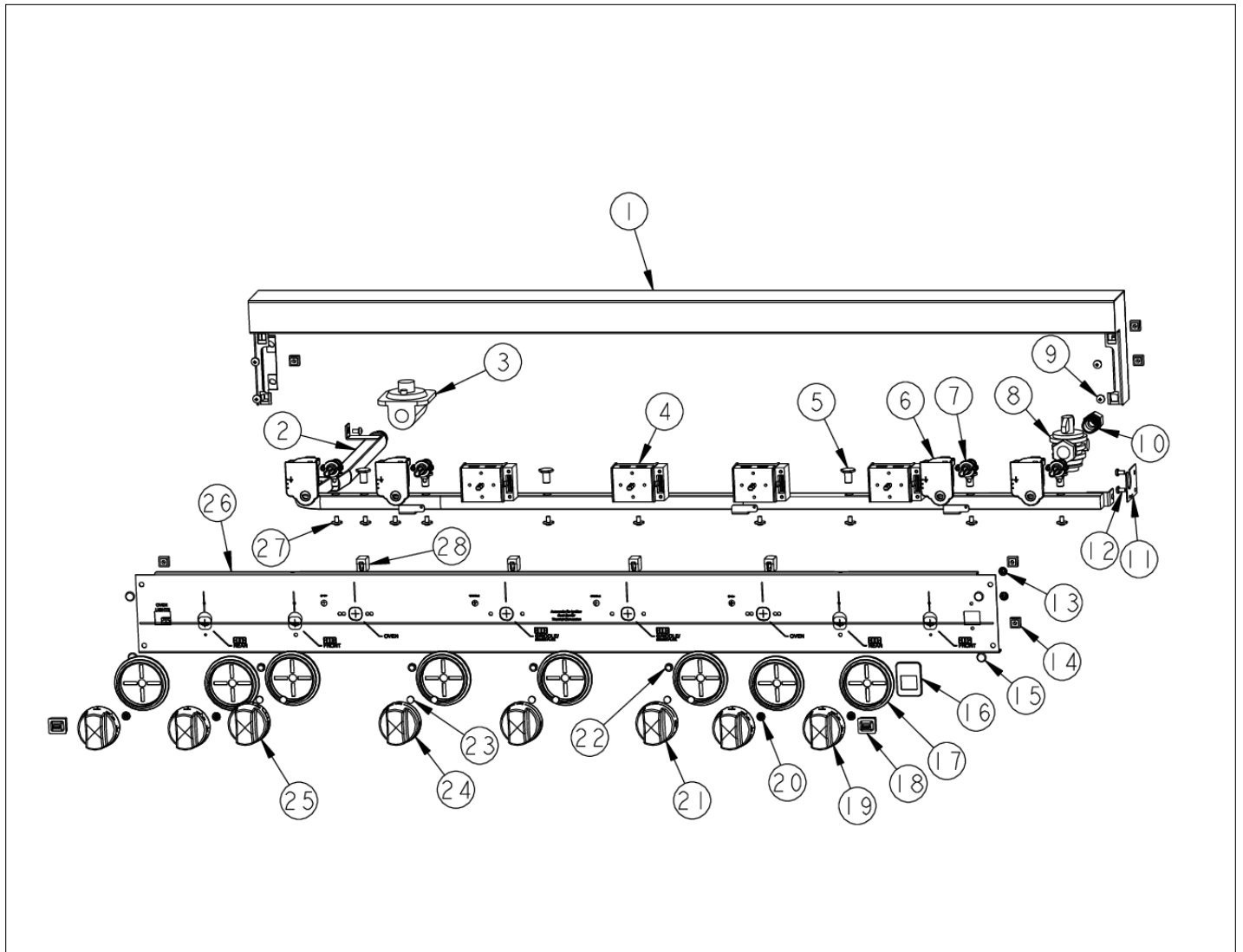
Item	Part No.	Name	Qty	Uom	NOTES
Not Shown	PB040217	L.P. ORIFICE	1	EA	
10	A20013319	SUPPORT BRACKET	1	EA	NO LONGER AVAILABLE
11	PA050086	5/8" MALE FLARE FITTING	1	EA	Not available online / Call for pricing and availability
12	PB020192	10" FLEX TUBING W/CONNECTORS	1	EA	
13	PK000007	DRIP TRAY GUIDE - LH (VGRT)	1	EA	NO LONGER AVAILABLE
14	PB020193	16" FLEX TUBING W/CONNECTORS	1	EA	
15	002889-000	BURNER BOX SIDE-LH	1	EA	NO LONGER AVAILABLE, Not available online / Call for pricing and availability

CONTROL AREA





Item	Part No.	Name	Qty	Uom	NOTES
1	G3009843	SEALED LANDING LEDGE ASSY 48"	1	EA	
2	000930-000	48" MANIFOLD - NLA	1	EA	
3	PA070003	PRESSURE REGULATOR	1	EA	
4	013213-000	TSTAT, SMPS, ELEC, 2-POS, .91" SHAFT, CB	1	EA	
5	002884-000	MANIFOLD PLUG	1	EA	
6	PA020058	IRIS SINGLE SPARK MODULE	1	EA	
7	003517-000	PA010158 VALVE AND BOLT KIT	1	EA	
8	PB030006	SHUT-OFF VALVE (VGSO166)	1	EA	
9	PD010003	10-24 X 1/2 PH.TR.HD.SERD.M.S.	1	EA	
10	000845-000	1/2" COMP TO 1/2" MALE NPT ADAPTER	1	EA	
11	A1001138	MANIFOLD BRKT	1	EA	NO LONGER AVAILABLE, Not available online / Call for pricing and availability
12	PD020004	10X3/8PH.HD.TYPE 25 REPL PD040125	1	EA	
13	PD030006	CAPPED WASHER PAL NUT	1	EA	
14	PD030005	SELF RETAINING NUT	1	EA	
15	PD020033	SRW-#10-24X1/2"T(23)PH.WFR HD (NKL)	1	EA	
16	PE010081	CONVECTION-LABEL/PLATE (CHROME)	1	EA	
Not Shown	PE010082	CONVECTION-LABEL/PLATE (*BR*)	1	EA	
17	050172-000	BEZEL, KNOB	1	EA	
Not Shown	PB010209	Bezel - BR	1	EA	
18	PE050016	OVEN LIGHT SWITCH - *BK* (WES-GAR)	1	EA	
Not Shown	PE050017	OVEN LIGHT SWITCH - *WH* (WES-GAR)	1	EA	
19	PB010206	TOP BURNER KNOB BK	1	EA	
Not Shown	PB010207	TOP BURNER KNOB WH	1	EA	Not available online / Call for pricing and availability





Item	Part No.	Name	Qty	Uom	NOTES
20	PD020046	' #8 X 1/2 SCREWS	1	EA	
21	000447-000	THERMOSTAT KNOB SELF-CLEAN (BK)	1	EA	
Not Shown	000447-006	OVEN KNOB WITH BROIL(WH)	1	EA	
22	PE050023	OVEN IND. LIGHT (LENS & BEZEL)	1	EA	
23	PD020044	#8-32 X 1/4" PH. TR. HD. M.S.	1	EA	
24	000448-000	GRIDDLE KNOB *BK*	1	EA	
Not Shown	000448-006	GRIDDLE KNOB (WH) - NLA	1	EA	NO LONGER AVAILABLE
25	000381-000	OVEN KNOB W/O BROIL	1	EA	
Not Shown	000381-006	OVEN KNOB W/O BROIL (WH) - NLA	1	EA	NO LONGER AVAILABLE
26	B9201286	CTRL PAN - VGRC485-4G *SLK SCR*	1	EA	
27	PD010012	1/4 x 3/8 VALVE BOLT	1	EA	
28	PE050024	OVEN IND. LIGHT (LIGHT HOUSING)	1	EA	

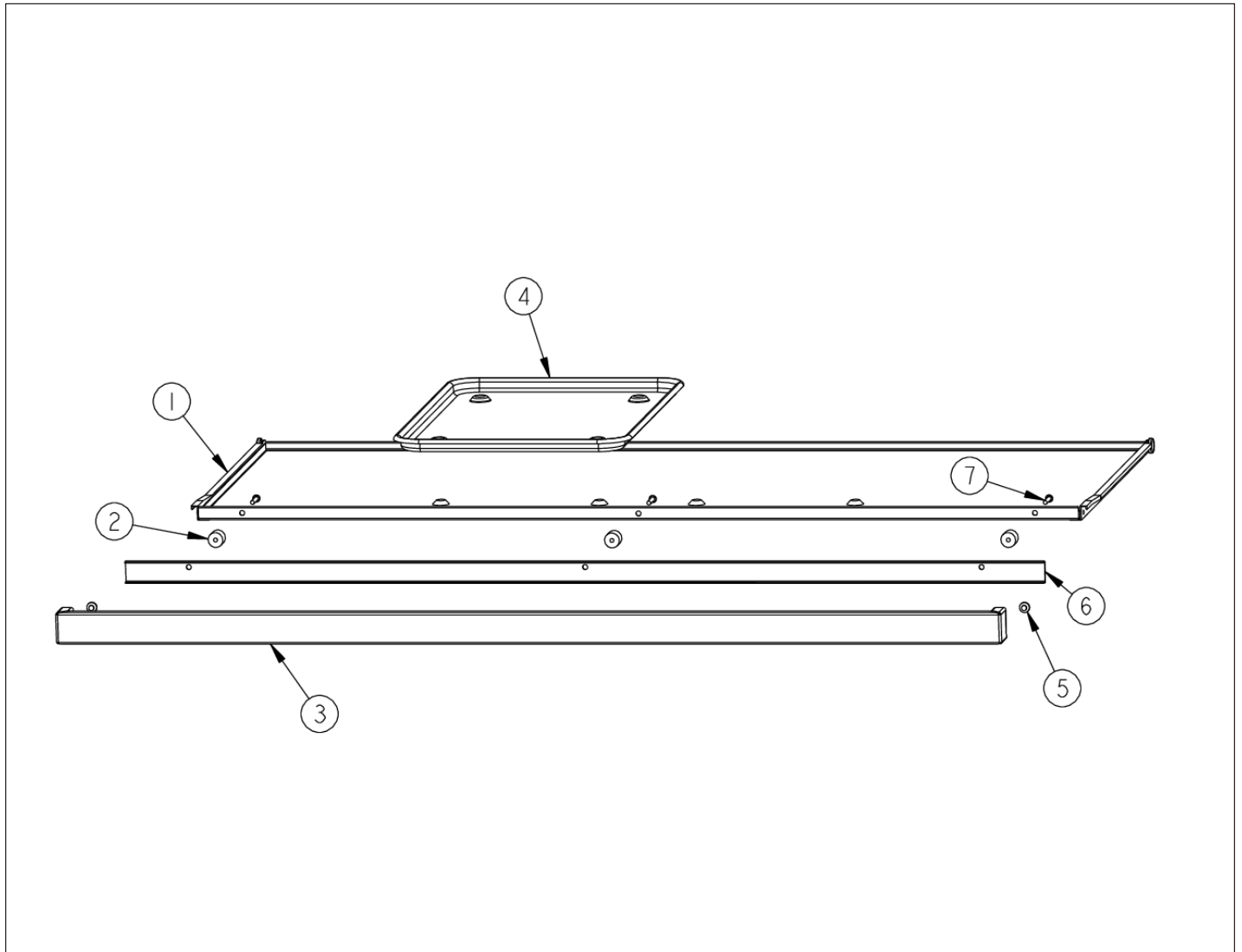
Comments for Part Num. PE050024

haarnink@vikingrange.com on Jan 14, 2019

please note that the indicator light is now part 043135-000 but needs the Jumper harness 051443-000. and second option there are units in the field with a 230V indicator light part number 036566-000.

please check this for all "E" module ranges/Tops

DRIP TRAY



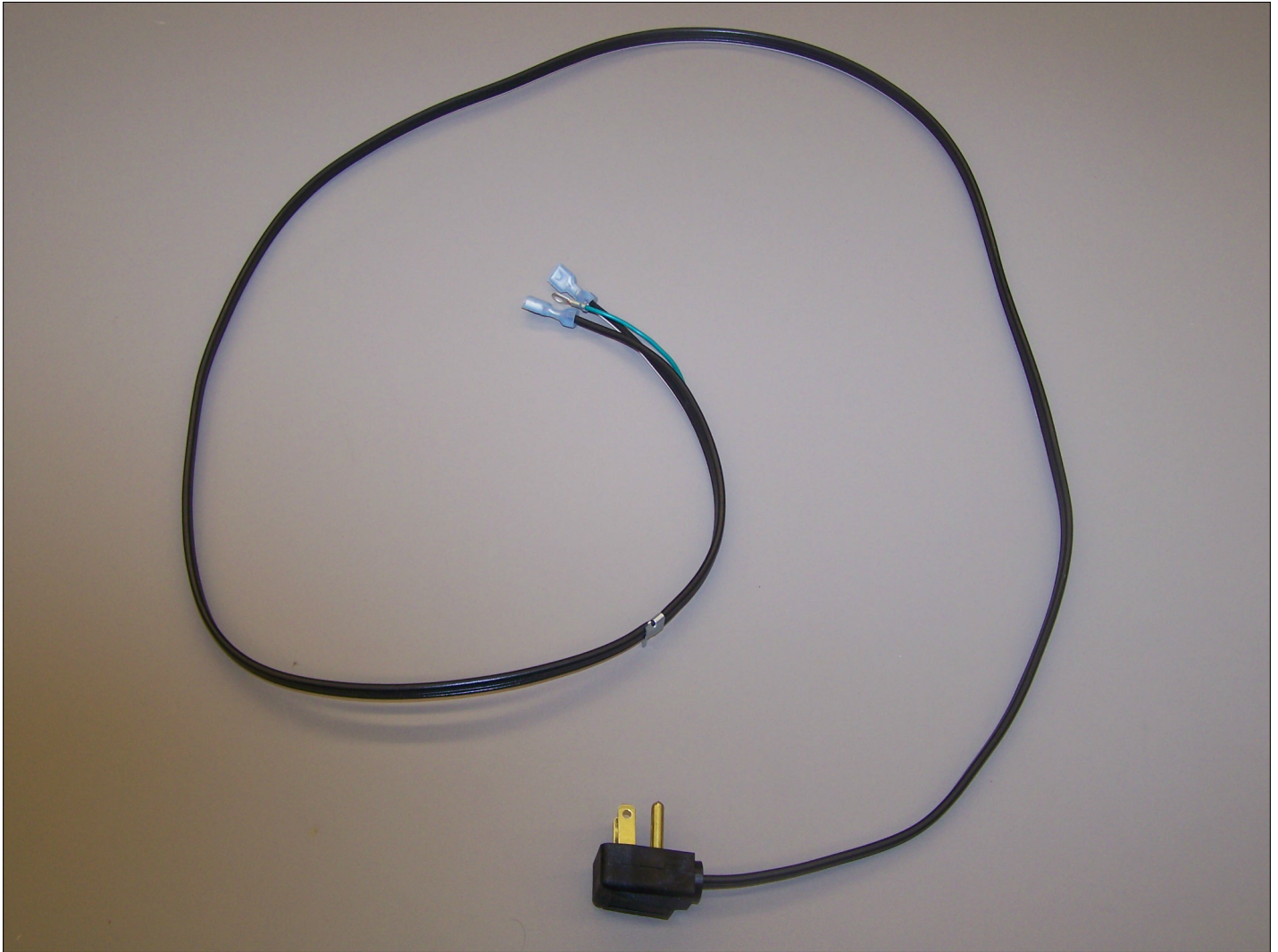


Item	Part No.	Name	Qty	Uom	NOTES
1	G30013336	48" DRIP TRAY ASSY. 6Q &4GQ - NLA	1	EA	
2	PD040028	BUSHING(.194ID/.750OD/.750L ONG)	1	EA	
3	G30010697	DRIP TRAY HANDLE ASSY 48"	1	EA	
Not Shown	G93011461PVD	DRIP TRAY HANDLE ASSY 48" PVD - NLA	1	EA	
4	J2101749	GREASE PAN	1	EA	
5	PD040004	GROMMET BUMPER	1	EA	
6	A20010693	DRIP TRAY HANDLE BACK 48	1	EA	
7	PD020079	#10 X 1 1/4 PH. PAN HD. T(A) NYLOK	1	EA	



VGIC488-4G

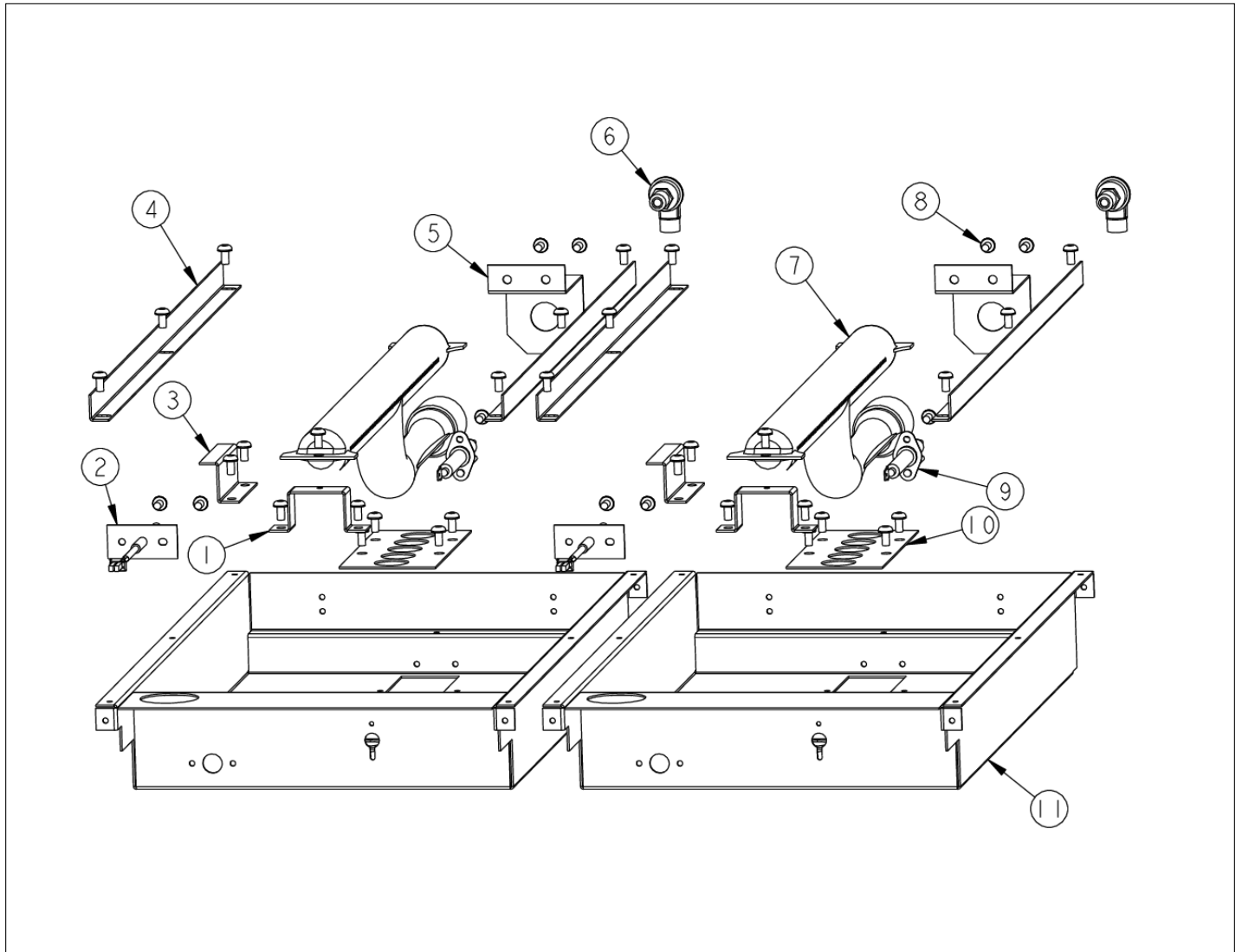
G4008493 SUPPLY CORD





Item	Part No.	Name	Qty	Uom	NOTES
1	G4008493	SUPPLY CORD ASSY- VGSU	1	EA	

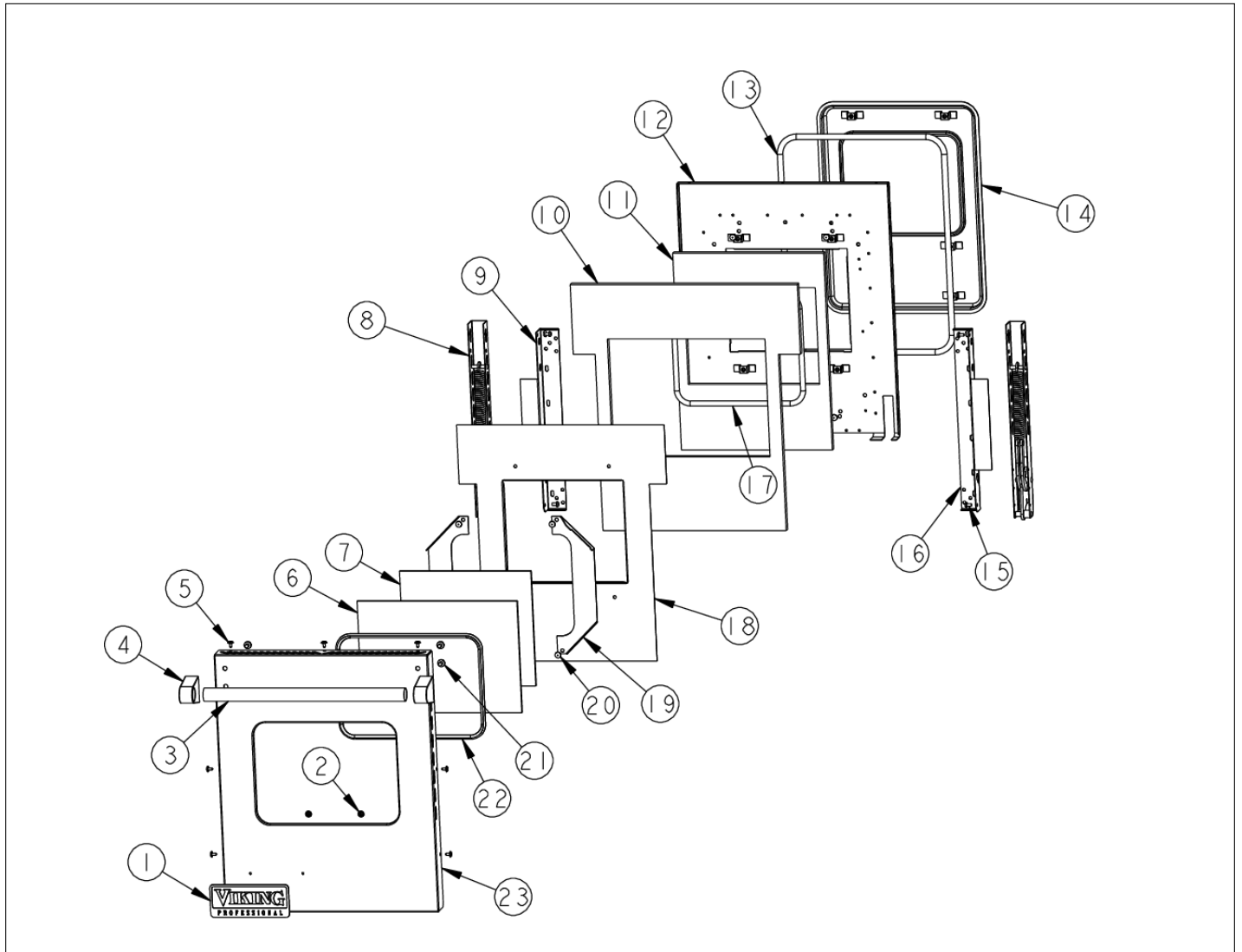
GRIDDLE SUBASSEMBLY





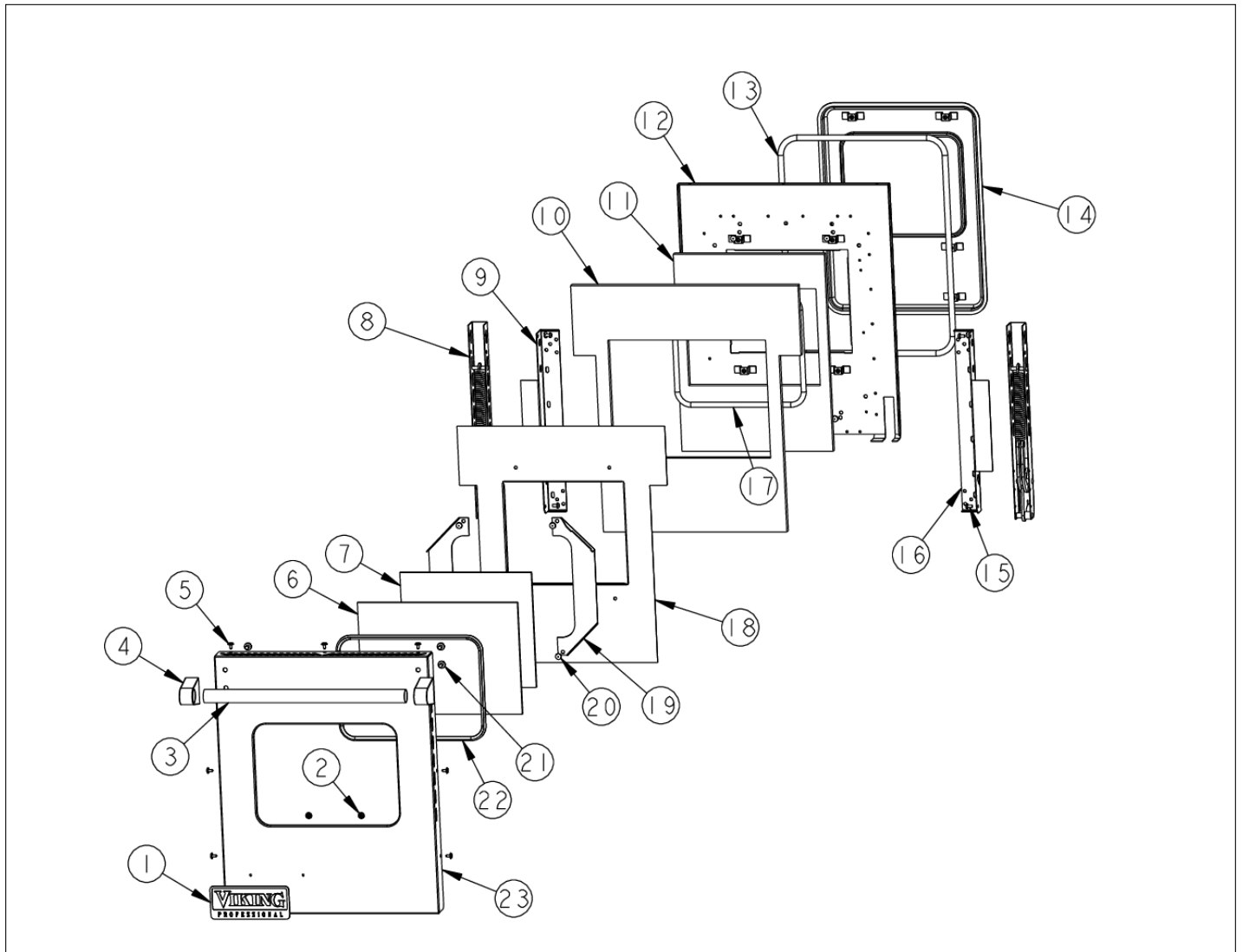
Item	Part No.	Name	Qty	Uom	NOTES
1	000970-000	GRIDDLE MTG BRKT	1	EA	NO LONGER AVAILABLE, Not available online / Call for pricing and availability
2	PE050206	RTD THERMOSTAT PROBE	1	EA	
3	000971-000	RTD GRIDDLE SHIELD - NLA	1	EA	NO LONGER AVAILABLE
4	A20010657	GRIDDLE BOX FLANGE	1	EA	
5	000958-000	GRIDDLE ELBOW HOLDER	1	EA	NO LONGER AVAILABLE, Not available online / Call for pricing and availability
6	PB040190	90 DEGREE ORIFICE FITTING #50 NAT	1	EA	
Not Shown	002513-000	90 DEGREE ORIFICE FITTING #57 LP	1	EA	
7	PB050074	Griddle Burner	1	EA	
8	PD020004	10X3/8PH.HD.TYPE 25 REPL PD040125	1	EA	
9	008091-000	PB040288 IGNITOR KIT	1	EA	
10	A1007861	Griddle Venturi Cover	1	EA	Not available online / Call for pricing and availability
11	000972-000	GRIDDLE BOX	1	EA	NO LONGER AVAILABLE, Not available online / Call for pricing and availability

LH DOOR ASSEMBLY

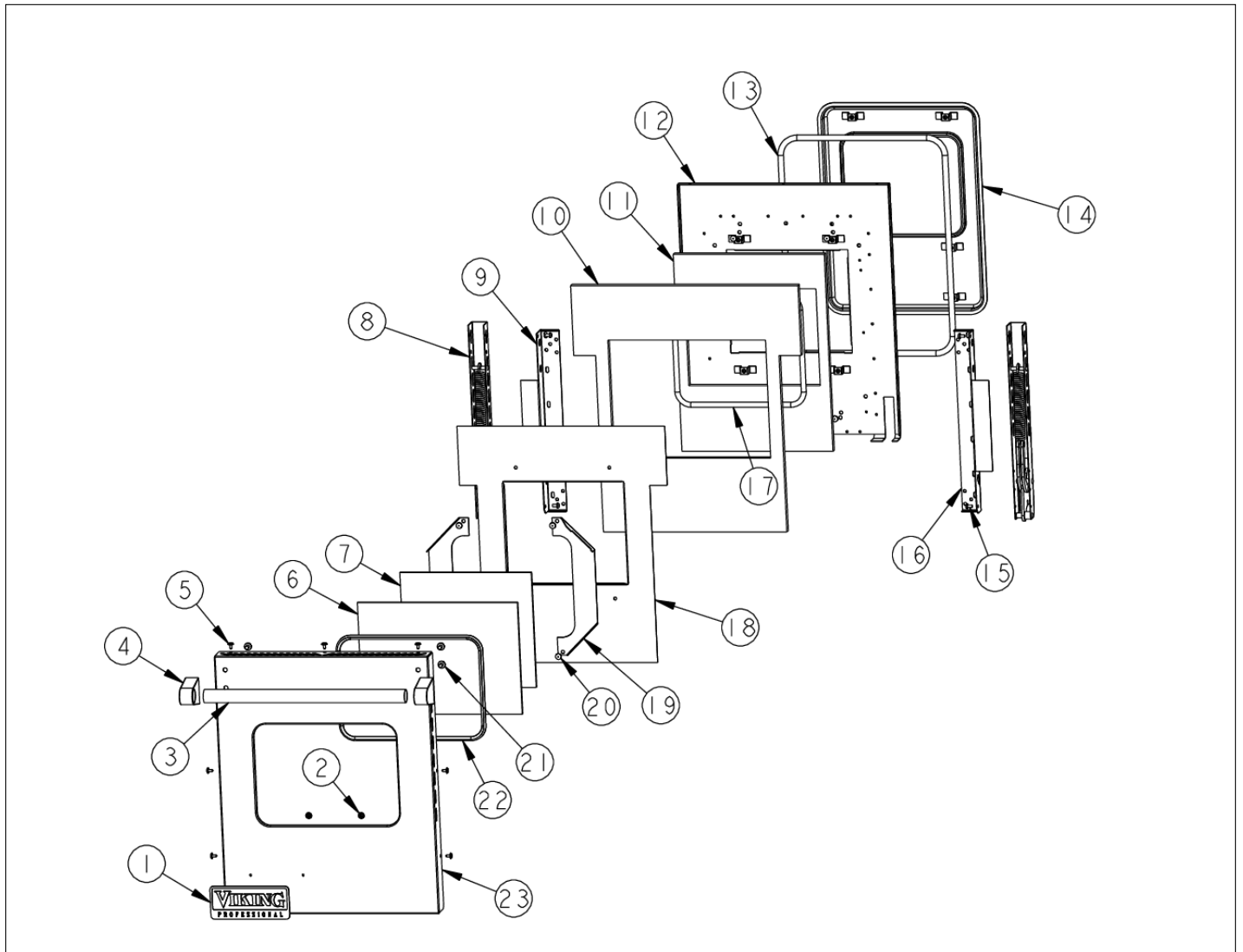




Item	Part No.	Name	Qty	Uom	NOTES
1	PE010030	LOGO	1	EA	
Not Shown	PE010068	LOGO 6" (VGRC) BK/BR	1	EA	
Not Shown	PE010031	LOGO 6" (VGRC) *BK/WH*	1	EA	NO LONGER AVAILABLE
Not Shown	PE010076	LOGO 6" (VGRC) *BR/WH*	1	EA	NO LONGER AVAILABLE
2	PD030006	CAPPED WASHER PAL NUT	1	EA	
3	PE030008	DOOR HANDLE - LH 48VGRC	1	EA	
PE030014	PE030014PVD	DOOR HANDLE - LH - (48") PVD	1	EA	
4	000268-000	HANDLE ENDCAP	1	EA	
Not Shown	PE030001PVD	END CAP DOOR HANDLE *BR	1	EA	
5	PD020032	SRW-8(A)X3/8"PH.WFR HD 7/16DIA*NICL	1	EA	
6	PE060049	GLASS LH *TE* DF48DOOR	1	EA	
7	PE060032	GLASS (HEAT BARRIER) LH DF48DOOR	1	EA	
8	PC020222	DOOR HINGE (SHORT SPRING) NSF	1	EA	
9	000932-000	DOOR HINGE BRACKET	1	EA	Not available online / Call for pricing and availability
10	PB070145	SUPERWOOL 5" X 24" X 3'	1	EA	
11	PB070145	SUPERWOOL 5" X 24" X 3'	1	EA	
12	001144-000	LINER, DOOR, PORCELAIN 48 LH	1	EA	NO LONGER AVAILABLE, Not available online / Call for pricing and availability
13	000080-000	48" LH DOOR GASKET	1	EA	
14	001145-000	PLUG, DOOR, PORCELAIN, 48 LH (Before 12/20/2012)	1	EA	
15	PD020004	10X3/8PH.HD.TYPE 25 REPL PD040125	1	EA	
16	000075-000	DOOR HINGE BRACKET	1	EA	Not available online / Call for pricing and availability
17	000594-000	BLACK FIBERGLASS ROPE 3/8	1	EA	

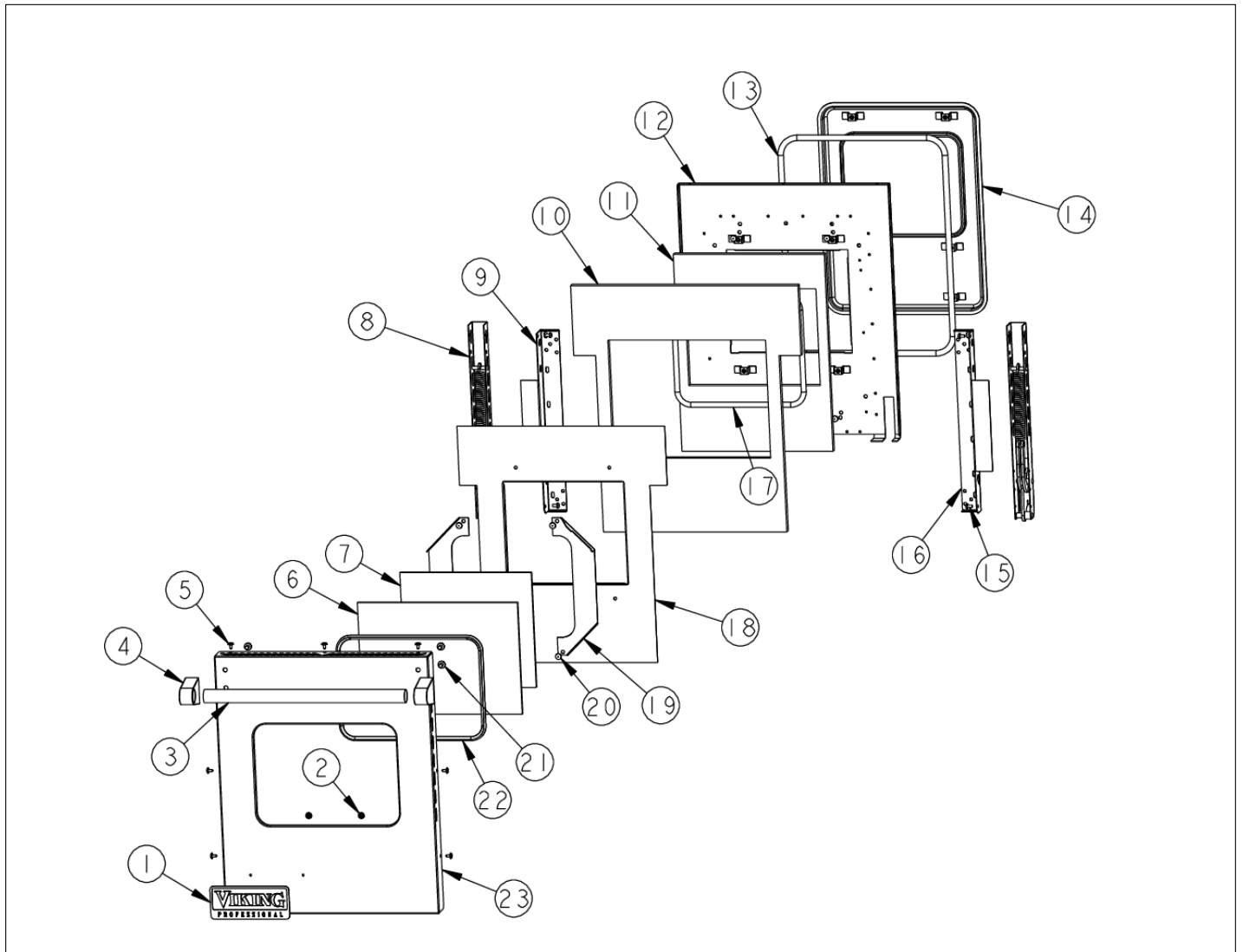


Item	Part No.	Name	Qty	Uom	NOTES
18	000939-000	INNER DOOR HEAT SINK	1	EA	NO LONGER AVAILABLE, Not available online / Call for pricing and availability
19	E9102668	WINDOW BRKT (O/S DOOR GLASS)	1	EA	Not available online / Call for pricing and availability
20	PD020002	10 X 1/2 PH.TR.HD.SMS.	1	EA	
21	PD010019	BLT-1/4-20X3/8"HEX WASHER SERATED	1	EA	
22	PE060046	J-MOLD LH SS (DF48 DOOR)	1	EA	
Not Shown	PE060048	J-MOLD LH *BR* (DF48 DOOR)	1	EA	NO LONGER AVAILABLE
23	B2002504	O/S DOOR PANEL LH *SS* (VDSC48)	1	EA	
Not Shown	C9002504AL	O/S DOOR PANEL-LH *AL* (VDSC48)	1	EA	NO LONGER AVAILABLE, Not available online / Call for pricing and availability
Not Shown	C9002504BK	O/S DOOR PANEL-LH *BK* (VDSC48)	1	EA	
Not Shown	C9002504BT	O/S DOOR PANEL-LH *BT* (VDSC48)	1	EA	NO LONGER AVAILABLE
Not Shown	C9002504BU	O/S DOOR PANEL-LH *BU* (VDSC48)	1	EA	
Not Shown	C9002504CB	O/S DOOR PANEL-LH *CB* (VDSC48)	1	EA	NO LONGER AVAILABLE
Not Shown	C9002504EP	O/S DOOR PANEL-LH *EP* (VDSC48)	1	EA	NO LONGER AVAILABLE, Not available online / Call for pricing and availability
Not Shown	C9002504FG	O/S DOOR PANEL-LH *FG* (VDSC48)	1	EA	NO LONGER AVAILABLE, Not available online / Call for pricing and availability
Not Shown	C9002504GG	O/S DOOR PANEL-LH *GG* (VDSC48)	1	EA	
Not Shown	C9002504LE	O/S DOOR PANEL-LH *LE* (VDSC48)	1	EA	NO LONGER AVAILABLE
Not Shown	C9002504MJ	O/S DOOR PANEL-LH *MJ* (VDSC48)	1	EA	NO LONGER AVAILABLE, Not available online / Call for pricing and availability



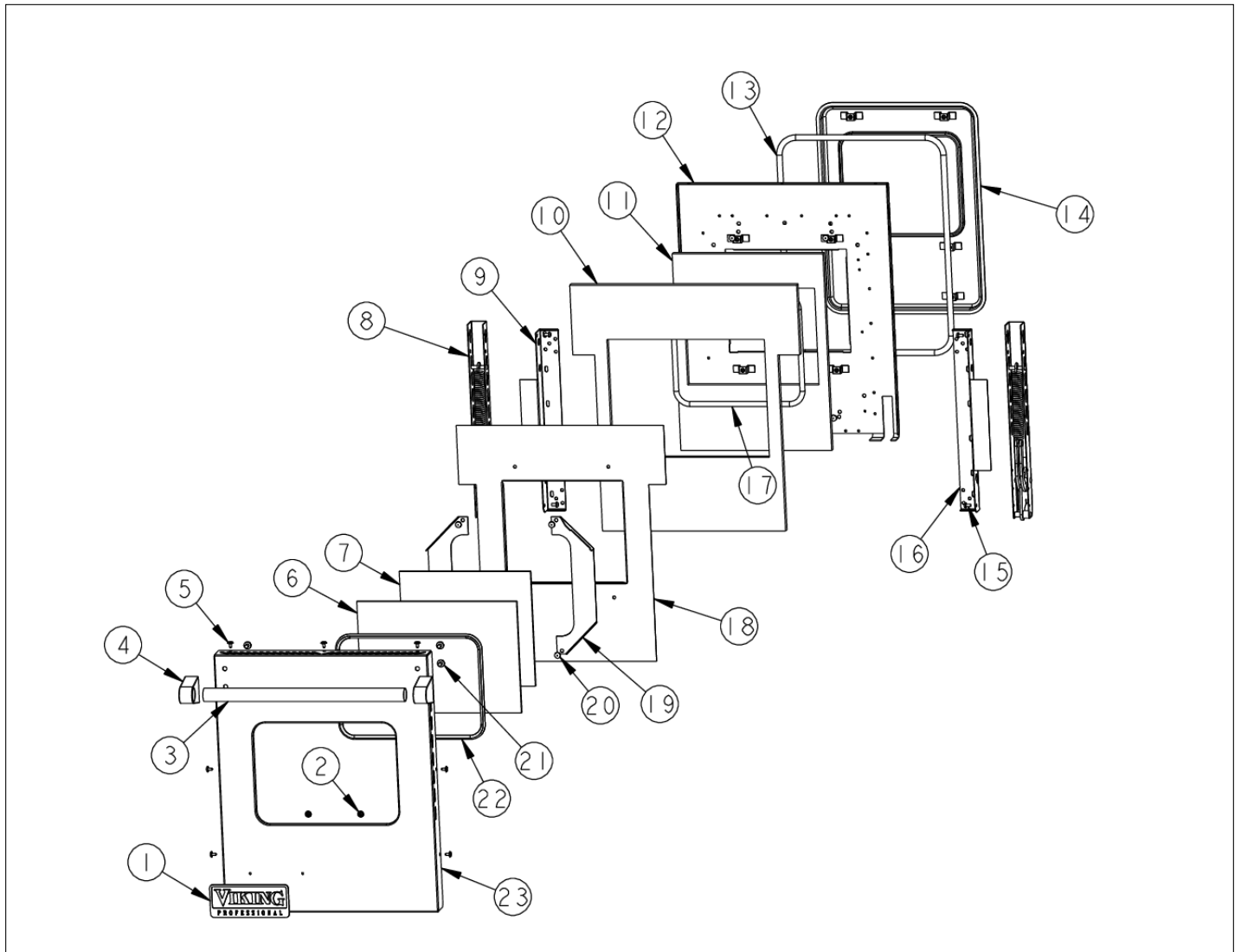


Item	Part No.	Name	Qty	Uom	NOTES
Not Shown	C9002504SG	O/S DOOR PANEL-SG *SG* (VDSC48)	1	EA	Not available online / Call for pricing and availability
Not Shown	C9002504VB	O/S DOOR PANEL-LH*VB* (VDSC48)	1	EA	NO LONGER AVAILABLE, Not available online / Call for pricing and availability
Not Shown	C9002504WH	O/S DOOR PANEL-LH *WH* (VDSC48)	1	EA	
NI	000946-007	COMPLETE DOOR ASSY. - AL	1	EA	Not available online / Call for pricing and availability
Not Shown	000946-107	COMPLETE DOOR ASSY. - ALBR	1	EA	Not available online / Call for pricing and availability
Not Shown	000946-002	COMPLETE DOOR ASSY. - BK	1	EA	Not available online / Call for pricing and availability
Not Shown	000946-102	COMPLETE DOOR ASSY. - BKBR	1	EA	Not available online / Call for pricing and availability
Not Shown	000946-003	COMPLETE DOOR ASSY. - BT	1	EA	Not available online / Call for pricing and availability
Not Shown	000946-103	COMPLETE DOOR ASSY. - BTBR	1	EA	Not available online / Call for pricing and availability
Not Shown	000946-008	COMPLETE DOOR ASSY. - BU	1	EA	Not available online / Call for pricing and availability
Not Shown	000946-108	COMPLETE DOOR ASSY. - BUBR	1	EA	Not available online / Call for pricing and availability
Not Shown	000946-013	COMPLETE DOOR ASSY. - CB	1	EA	Not available online / Call for pricing and availability
Not Shown	000946-113	COMPLETE DOOR ASSY. - CBBR	1	EA	Not available online / Call for pricing and availability





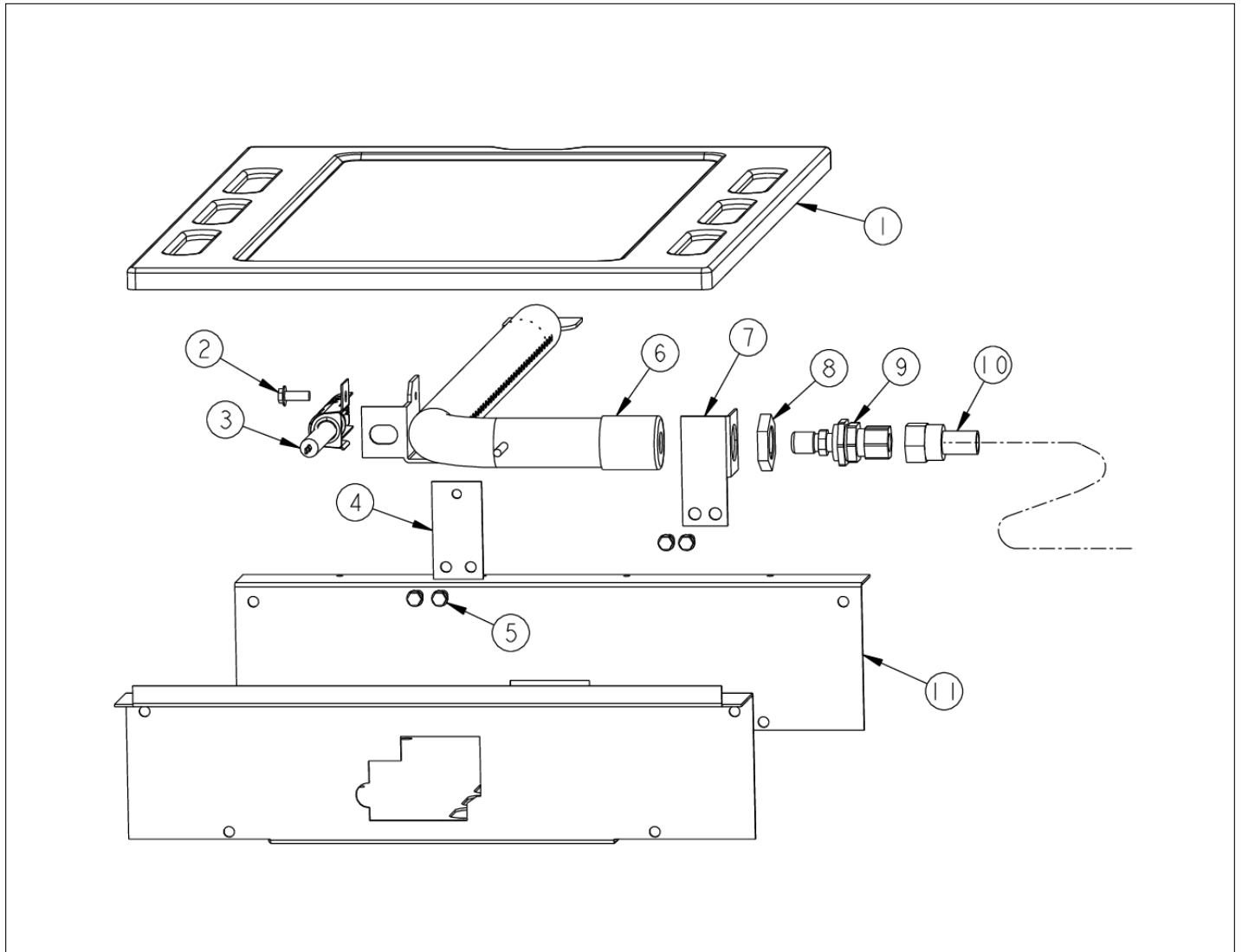
Item	Part No.	Name	Qty	Uom	NOTES
Not Shown	000946-014	COMPLETE DOOR ASSY. - EP	1	EA	Not available online / Call for pricing and availability
Not Shown	000946-114	COMPLETE DOOR ASSY. - EPBR	1	EA	Not available online / Call for pricing and availability
Not Shown	000946-011	COMPLETE DOOR ASSY. - FG	1	EA	Not available online / Call for pricing and availability
Not Shown	000946-111	COMPLETE DOOR ASSY. - FGBR	1	EA	Not available online / Call for pricing and availability
Not Shown	000946-005	COMPLETE DOOR ASSY. - GG	1	EA	Not available online / Call for pricing and availability
Not Shown	000946-105	COMPLETE DOOR ASSY. - GGBR	1	EA	Not available online / Call for pricing and availability
Not Shown	000946-009	COMPLETE DOOR ASSY. - LE	1	EA	Not available online / Call for pricing and availability
Not Shown	000946-109	COMPLETE DOOR ASSY. - LEBR	1	EA	Not available online / Call for pricing and availability
Not Shown	000946-010	COMPLETE DOOR ASSY. - MJ	1	EA	Not available online / Call for pricing and availability
Not Shown	000946-110	COMPLETE DOOR ASSY. - MJBR	1	EA	Not available online / Call for pricing and availability
Not Shown	000946-004	COMPLETE DOOR ASSY. - SG	1	EA	Not available online / Call for pricing and availability
Not Shown	000946-104	COMPLETE DOOR ASSY. - SGBR	1	EA	Not available online / Call for pricing and availability
Not Shown	000946-000	DOOR ASSY 48" LH - NLA	1	EA	NO LONGER AVAILABLE





Item	Part No.	Name	Qty	Uom	NOTES
Not Shown	000946-100	DOOR ASSEMBLY, 48" LH (BR)	1	EA	NO LONGER AVAILABLE, Not available online / Call for pricing and availability
Not Shown	000946-012	COMPLETE DOOR ASSY. - VB	1	EA	Not available online / Call for pricing and availability
Not Shown	000946-112	COMPLETE DOOR ASSY. - VB BR	1	EA	Not available online / Call for pricing and availability
Not Shown	000946-006	COMPLETE DOOR ASSY. - WH	1	EA	Not available online / Call for pricing and availability
Not Shown	000946-106	COMPLETE DOOR ASSY. - WH BR	1	EA	Not available online / Call for pricing and availability

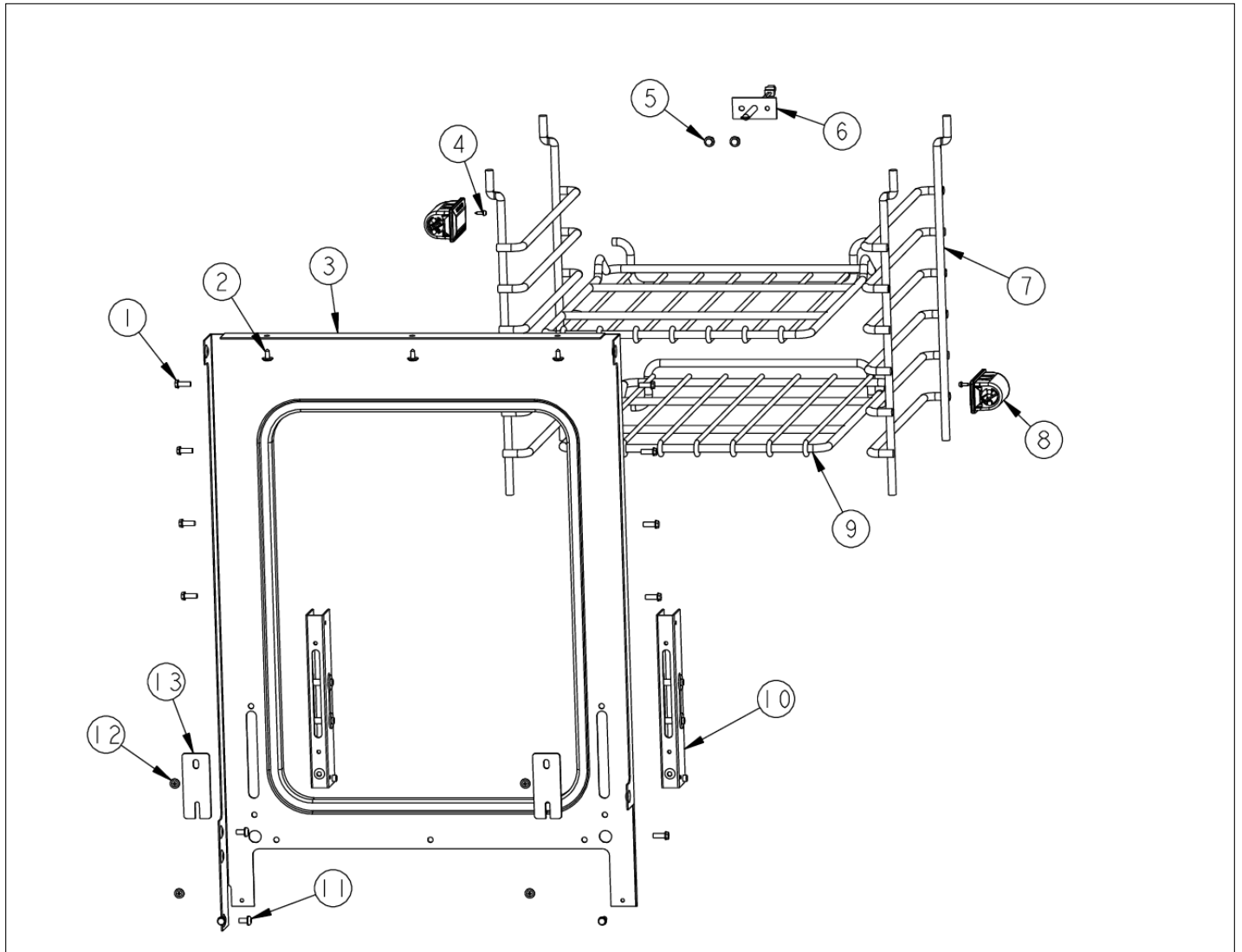
LH OVEN BAKE AREA





Item	Part No.	Name	Qty	Uom	NOTES
1	068457-000	ASM, BOTTOM, CAVITY OVEN GAS 18" GRAY		EA	
Not Shown	NOTE	(INCLUDES HEAT SHIELD)		EA	
2	PD020048	NO.10 X 1/2 TEK 410 SS SCREW		EA	
3	PB040273	BAKE IGNITION ELECTRODE		EA	
4	A1005571	BURNER MOUNTING BRACKET		EA	NO LONGER AVAILABLE
5	PD020060	10 X 1/2" (5/16)HEX WSHR HD.(T)A		EA	
6	PB050080	VGSC486 LH OVEN BURNER		EA	
7	A2005579	ORIFICE BRACKET 48LH		EA	NO LONGER AVAILABLE, Not available online / Call for pricing and availability
8	PD030018	PALNUT - 3/4-16		EA	
9	PB040229	BULKHEAD FITTING (VGSC486LH)		EA	
Not Shown	PB040062	ORIFICE HOOD-#56		EA	
10	PB020136	44" 3/8 S.S. FLEX TUBING T6-44		EA	
11	A20010139	48" LH CAVITY BOTTOM		EA	NO LONGER AVAILABLE, Not available online / Call for pricing and availability

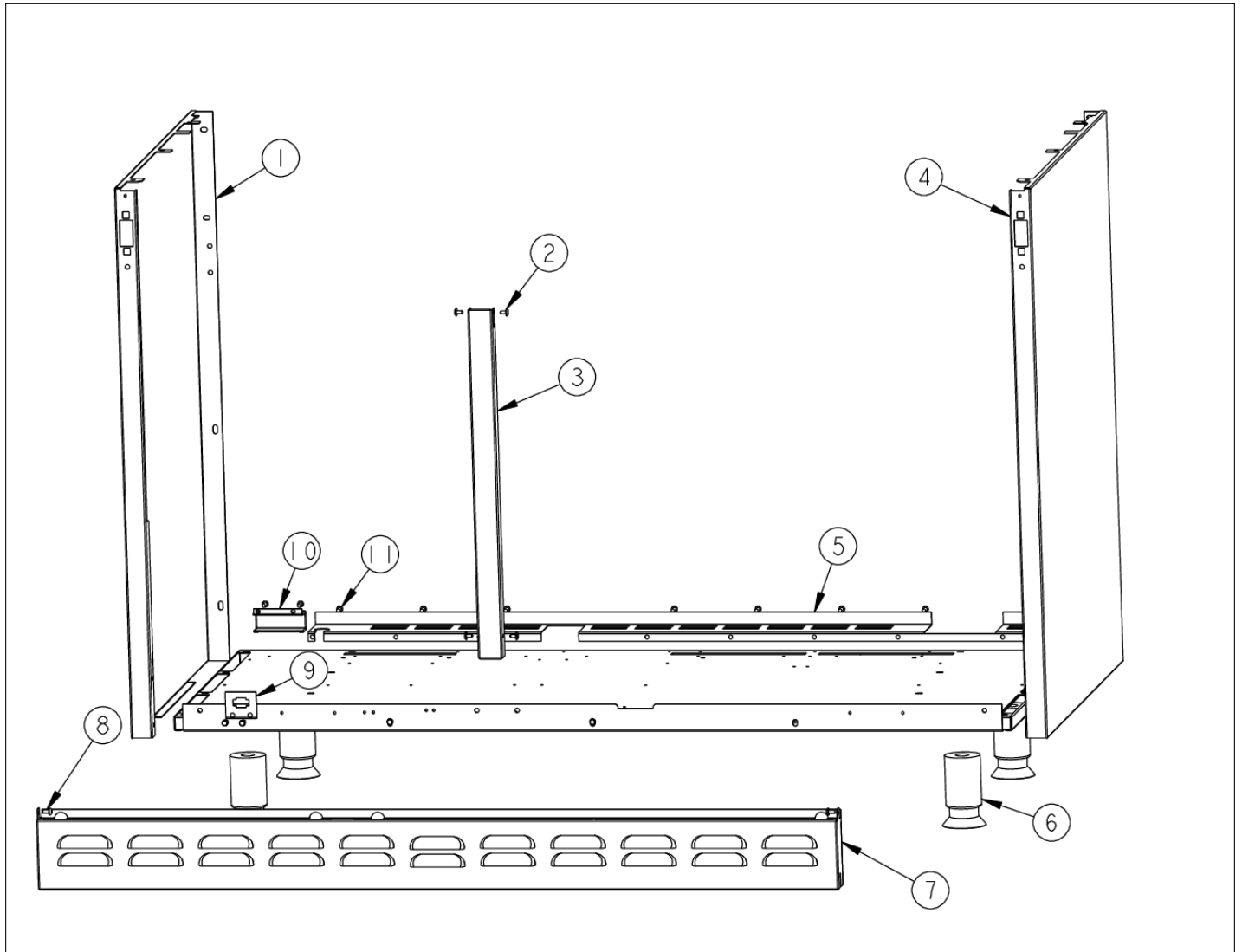
LH OVEN MAIN CAVITY





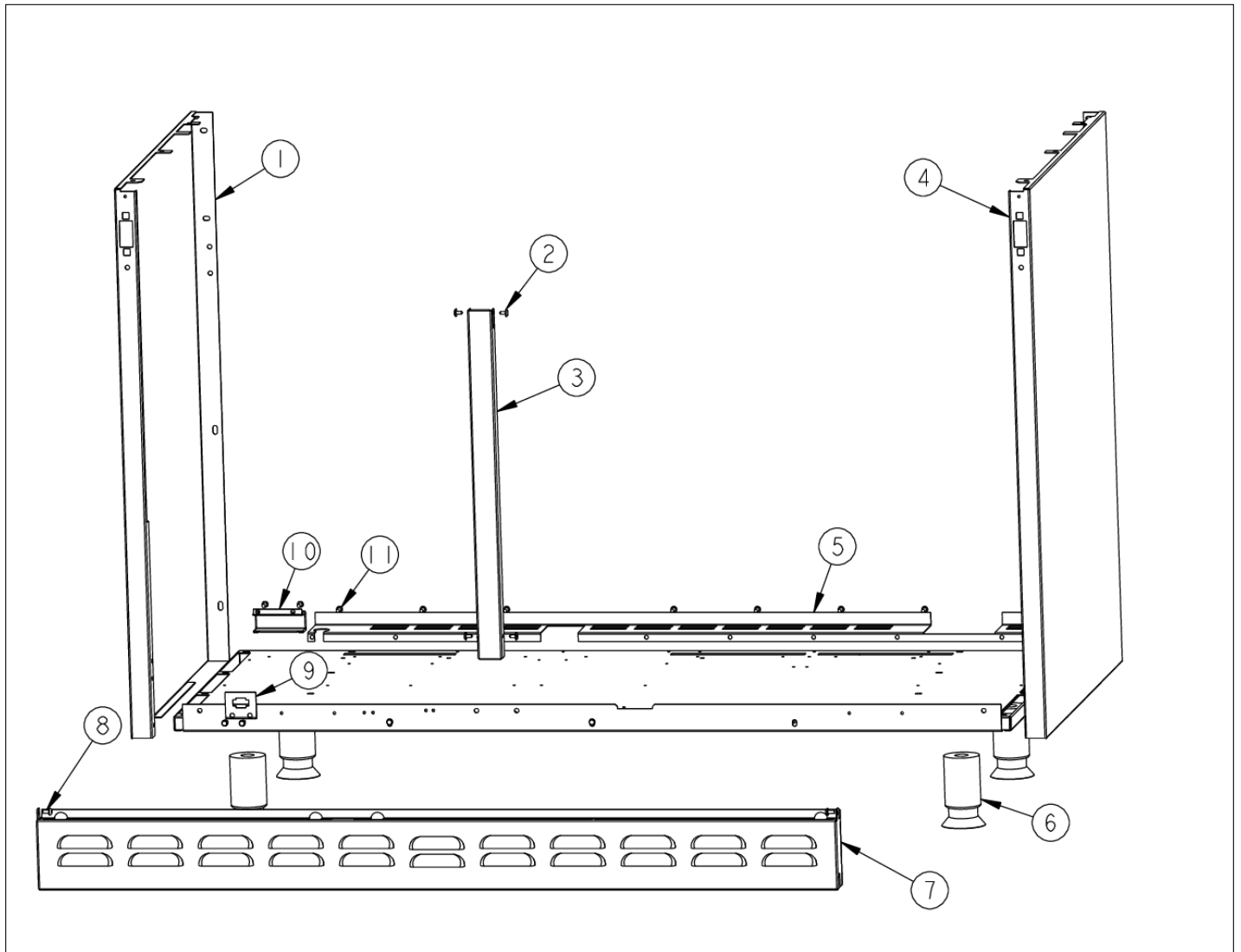
Item	Part No.	Name	Qty	Uom	NOTES
1	PD020060	10 X 1/2" (5/16)HEX WSHER HD.(T)A	1	EA	
2	PD020032	SRW-8(A)X3/8"PH.WFR HD 7/16DIA*NICL	1	EA	
3	001014-000	FRONT FRAME 48 LH WELD ASSY	1	EA	NO LONGER AVAILABLE, Not available online / Call for pricing and availability
4	PD020013	TYPE "AB" #6 X 3/8 PH PAN HD. SMS	1	EA	
5	PD020048	NO.10 X 1/2 TEK 410 SS SCREW	1	EA	
6	PE050206	RTD THERMOSTAT PROBE	1	EA	
7	PB060030	RACK SUPT REPL PB060010	1	EA	
8	005311-000	LAMP, OVEN, 120V/25W	1	EA	
9	PB060046	OVEN RK VDSC48-LH REPL PB060023	1	EA	
10	PC020295	HINGE RECEIVER ASSEMBLY	1	EA	
11	PD020004	10X3/8PH.HD.TYPE 25 REPL PD040125	1	EA	
12	003083-000	#8-18 x 1/2" PHIL FLAT TOP TRUSS HD AB SCREW	1	EA	
13	B1007913	HINGE CLIP (DESIGNER TIME PIECE)	1	EA	

LOWER UNIT AND SIDE PANELS



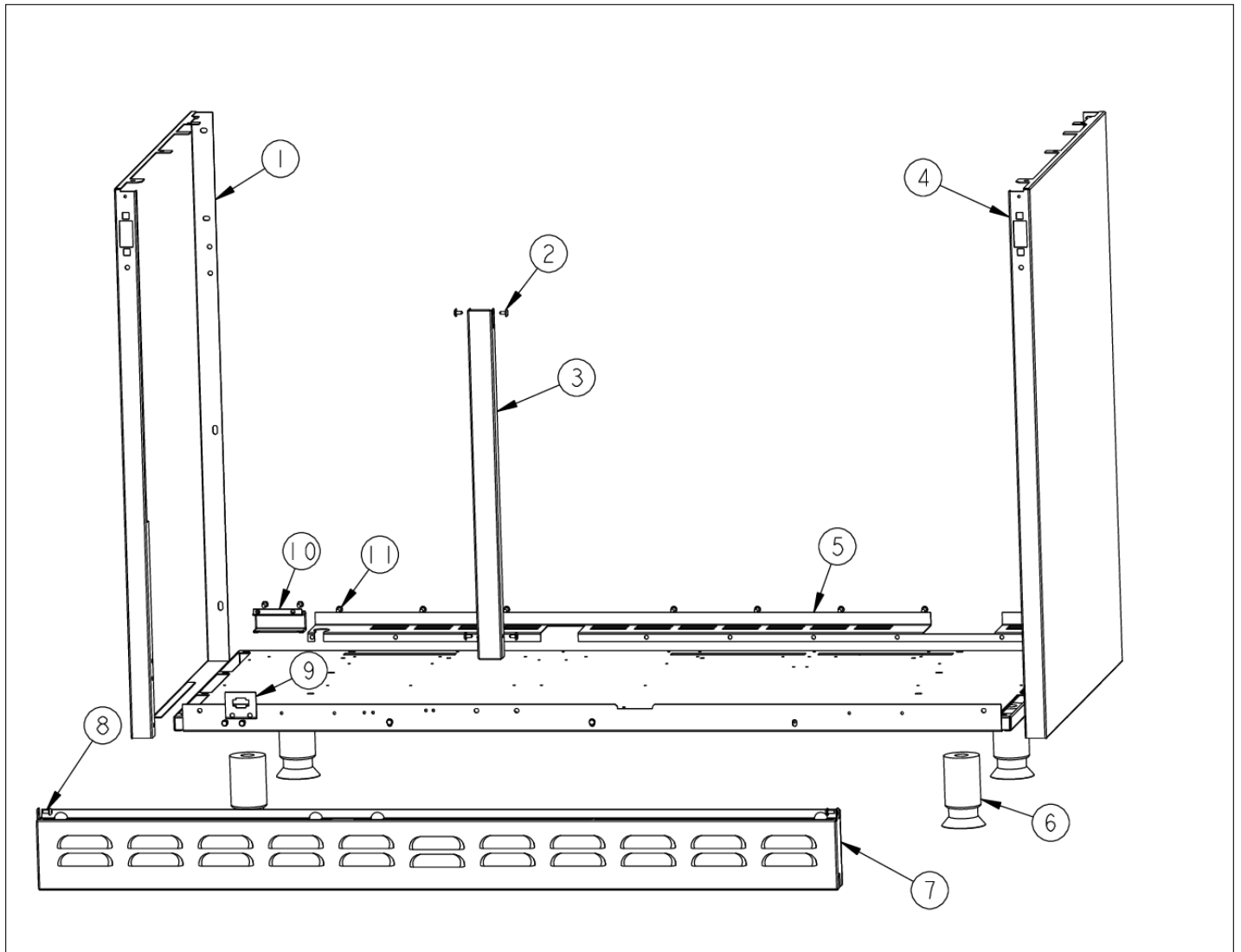


Item	Part No.	Name	Qty	Uom	NOTES
1	003349-007	LH RANGE BODY PANEL (AL)	1	EA	NO LONGER AVAILABLE, Not available online / Call for pricing and availability
Not Shown	003349-002	LH RANGE BODY PANEL (BK)	1	EA	
Not Shown	003349-003	LH RANGE BODY PANEL (BT)	1	EA	NO LONGER AVAILABLE, Not available online / Call for pricing and availability
Not Shown	003349-008	LH RANGE BODY PANEL (BU)	1	EA	NO LONGER AVAILABLE, Not available online / Call for pricing and availability
Not Shown	003349-013	LH RANGE BODY PANEL (CB)	1	EA	NO LONGER AVAILABLE
Not Shown	003349-014	LH RANGE BODY PANEL (EP)	1	EA	NO LONGER AVAILABLE, Not available online / Call for pricing and availability
Not Shown	003349-011	LH RANGE BODY PANEL (FG)	1	EA	NO LONGER AVAILABLE, Not available online / Call for pricing and availability
Not Shown	003349-005	LH RANGE BODY PANEL (GG)	1	EA	NO LONGER AVAILABLE, Not available online / Call for pricing and availability
Not Shown	003349-009	LH RANGE BODY PANEL (LE)	1	EA	NO LONGER AVAILABLE, Not available online / Call for pricing and availability
Not Shown	003349-010	LH RANGE BODY PANEL (MJ)	1	EA	NO LONGER AVAILABLE, Not available online / Call for pricing and availability
Not Shown	003349-004	LH RANGE BODY PANEL (SG)	1	EA	NO LONGER AVAILABLE, Not available online / Call for pricing and availability
Not Shown	003349-000	LH RANGE BODY PANEL	1	EA	



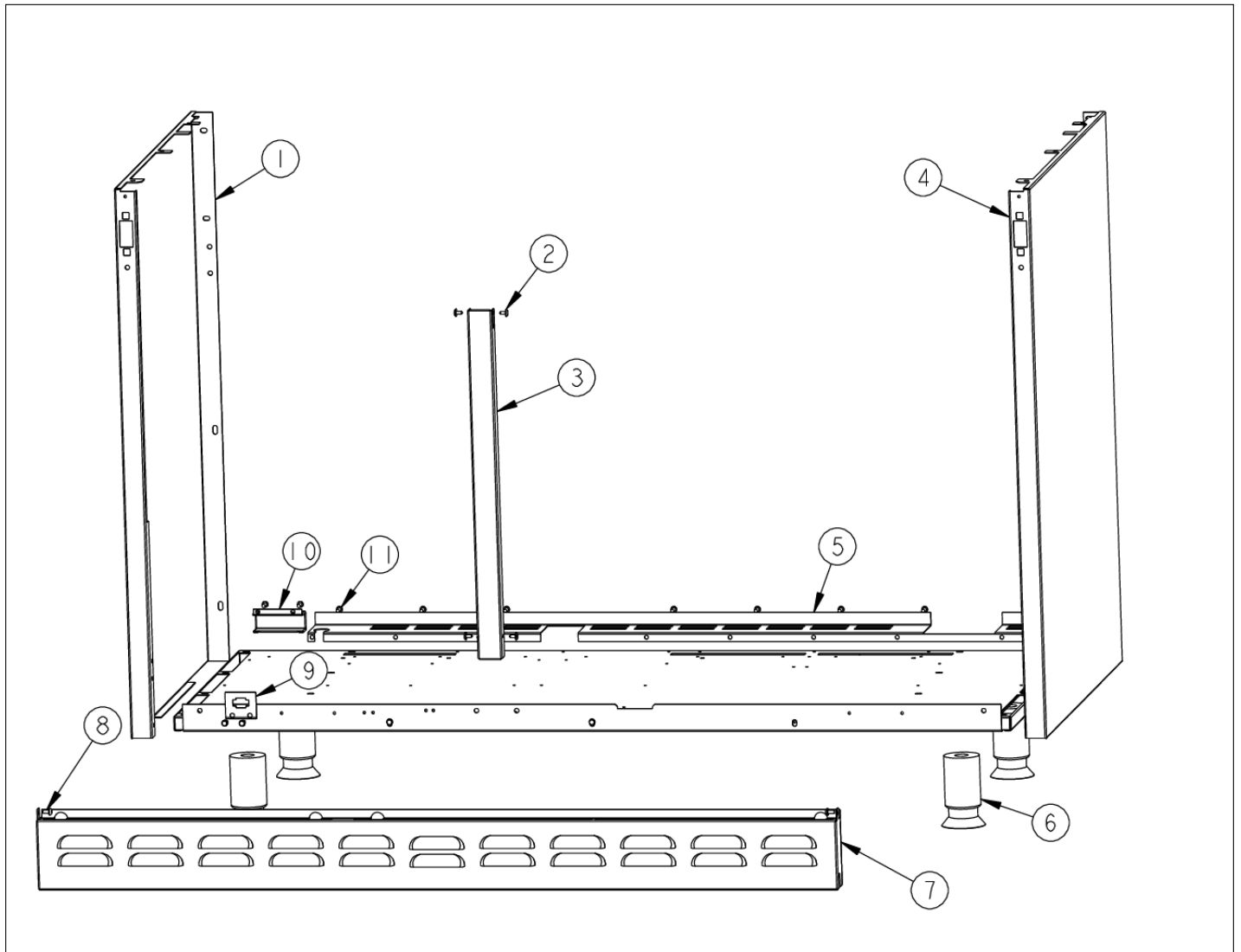


Item	Part No.	Name	Qty	Uom	NOTES
Not Shown	003349-012	LH RANGE BODY PANEL (VB)	1	EA	NO LONGER AVAILABLE, Not available online / Call for pricing and availability
Not Shown	003349-006	LH RANGE BODY PANEL (WH)	1	EA	NO LONGER AVAILABLE, Not available online / Call for pricing and availability
2	PD020032	SRW-8(A)X3/8"PH.WFR HD 7/16DIA*NICL	1	EA	
3	B2005683	CENTER TRIM	1	EA	
Not Shown	C9005683AL	CENTER TRIM *AL*	1	EA	NO LONGER AVAILABLE, Not available online / Call for pricing and availability
Not Shown	C9005683BK	CENTER TRIM *BK*	1	EA	NO LONGER AVAILABLE
Not Shown	C9005683BT	CENTER TRIM *BT*	1	EA	NO LONGER AVAILABLE, Not available online / Call for pricing and availability
Not Shown	C9005683BU	CENTER TRIM *BU*	1	EA	Not available online / Call for pricing and availability
Not Shown	C9005683CB	CENTER TRIM *CB*	1	EA	NO LONGER AVAILABLE
Not Shown	C9005683EP	CENTER TRIM *EP*	1	EA	NO LONGER AVAILABLE, Not available online / Call for pricing and availability
Not Shown	C9005683FG	CENTER TRIM *FG*	1	EA	NO LONGER AVAILABLE, Not available online / Call for pricing and availability
Not Shown	C9005683GG	CENTER TRIM *GG*	1	EA	NO LONGER AVAILABLE
Not Shown	C9005683LE	CENTER TRIM *LE*	1	EA	NO LONGER AVAILABLE, Not available online / Call for pricing and availability



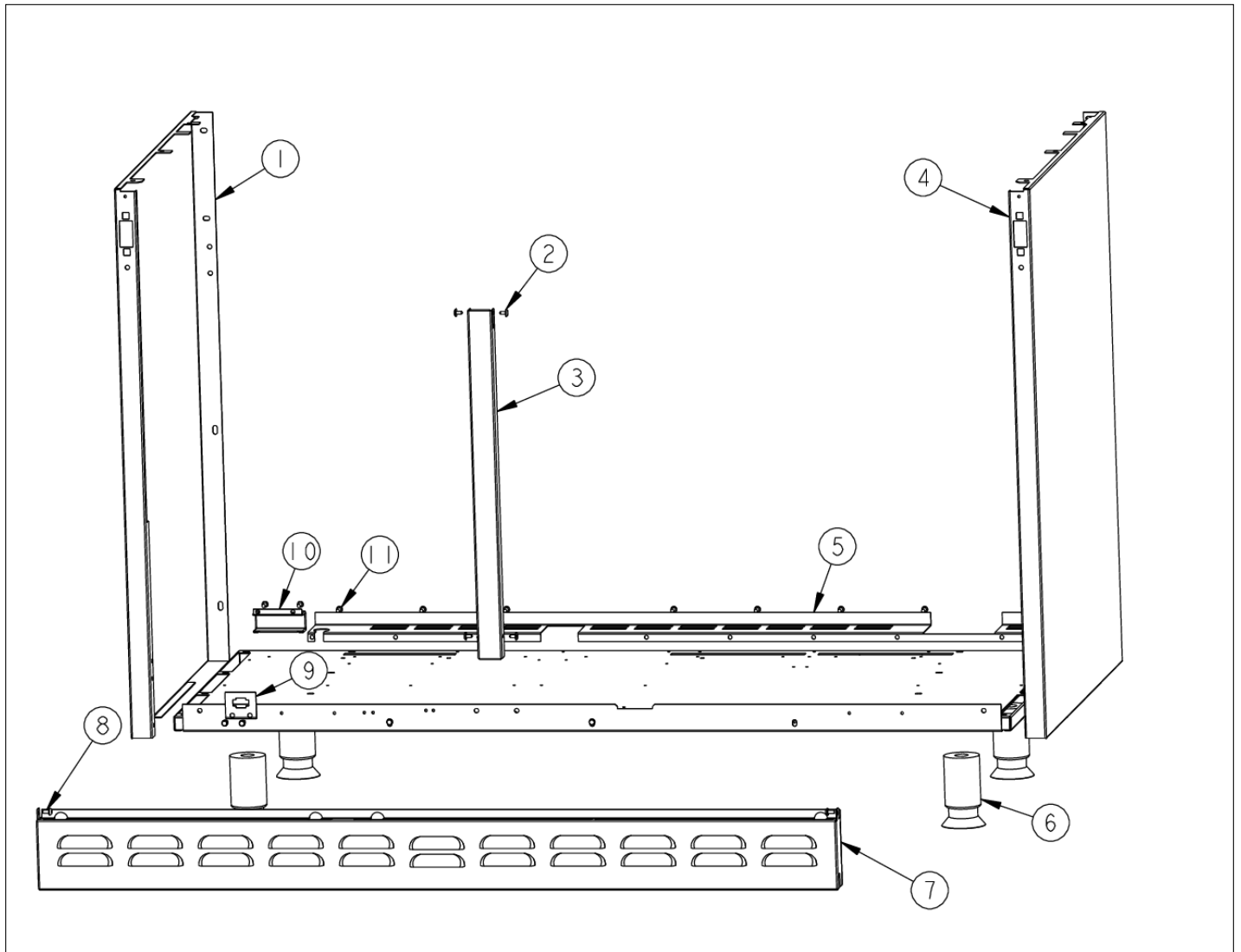


Item	Part No.	Name	Qty	Uom	NOTES
Not Shown	C9005683MJ	CENTER TRIM *MJ*	1	EA	NO LONGER AVAILABLE, Not available online / Call for pricing and availability
Not Shown	C9005683SG	CENTER TRIM *SG*	1	EA	
Not Shown	C9005683VB	CENTER TRIM *VB*	1	EA	NO LONGER AVAILABLE, Not available online / Call for pricing and availability
Not Shown	C9005683WH	CENTER TRIM *WH*	1	EA	NO LONGER AVAILABLE, Not available online / Call for pricing and availability
4	003348-007	O/S BODY PANEL - RH (AL)	1	EA	NO LONGER AVAILABLE, Not available online / Call for pricing and availability
Not Shown	003348-002	O/S BODY PANEL - RH (BK)	1	EA	
Not Shown	003348-003	O/S BODY PANEL - RH (BT)	1	EA	NO LONGER AVAILABLE, Not available online / Call for pricing and availability
Not Shown	003348-008	O/S BODY PANEL - RH (BU)	1	EA	NO LONGER AVAILABLE, Not available online / Call for pricing and availability
Not Shown	003348-013	O/S BODY PANEL - RH (CB)	1	EA	NO LONGER AVAILABLE
Not Shown	003348-014	O/S BODY PANEL - RH (EP)	1	EA	NO LONGER AVAILABLE, Not available online / Call for pricing and availability
Not Shown	003348-011	O/S BODY PANEL - RH (FG)	1	EA	NO LONGER AVAILABLE, Not available online / Call for pricing and availability
Not Shown	003348-005	O/S BODY PANEL - RH (GG)	1	EA	NO LONGER AVAILABLE, Not available online / Call for pricing and availability





Item	Part No.	Name	Qty	Uom	NOTES
Not Shown	003348-009	O/S BODY PANEL - RH (LE)	1	EA	NO LONGER AVAILABLE, Not available online / Call for pricing and availability
Not Shown	003348-010	O/S BODY PANEL - RH (MJ)	1	EA	NO LONGER AVAILABLE, Not available online / Call for pricing and availability
Not Shown	003348-004	O/S BODY PANEL - RH (SG)	1	EA	NO LONGER AVAILABLE, Not available online / Call for pricing and availability
Not Shown	003348-000	RH RANGE BODY PANEL	1	EA	Not available online / Call for pricing and availability
Not Shown	003348-012	O/S BODY PANEL - RH (VB)	1	EA	NO LONGER AVAILABLE, Not available online / Call for pricing and availability
Not Shown	003348-006	O/S BODY PANEL - RH (WH)	1	EA	NO LONGER AVAILABLE, Not available online / Call for pricing and availability
5	A2005584	O/S OVEN BACK BOTTOM	1	EA	NO LONGER AVAILABLE
6	PC030017	4" LEG ASSY	1	EA	
7	B2001241	LWR ACC. PNL - RPLCS B2001973	1	EA	
Not Shown	C9001241AL	LWR ACC PNL - RPLCS C9001973AL	1	EA	NO LONGER AVAILABLE, Not available online / Call for pricing and availability
Not Shown	C9001241BK	LWR ACC PNL - RPLCS C9001973BK	1	EA	
Not Shown	C9001241BT	LWR ACC PNL - RPLCS C9001973BT	1	EA	NO LONGER AVAILABLE
Not Shown	C9001241BU	LWR ACC PNL - RPLCS C9001973BU	1	EA	
Not Shown	C9001241CB	LWR ACC PNL - RPLCS C9001973CB	1	EA	NO LONGER AVAILABLE



Item	Part No.	Name	Qty	Uom	NOTES
Not Shown	C9001241EP	LWR ACC PNL - RPCLS C9001973EP	1	EA	NO LONGER AVAILABLE, Not available online / Call for pricing and availability
Not Shown	C9001241FG	LWR ACC PNL - RPLCS C9001973FG	1	EA	NO LONGER AVAILABLE, Not available online / Call for pricing and availability
Not Shown	C9001241GG	LWR ACC PNL - RPLCS C9001973GG	1	EA	Not available online / Call for pricing and availability
Not Shown	C9001241LE	LWR ACC PNL - RPLCS C9001973LE	1	EA	NO LONGER AVAILABLE
Not Shown	C9001241MJ	LWR ACC PNL - RPLCS C9001973MJ	1	EA	NO LONGER AVAILABLE
Not Shown	C9001241SG	LWR ACC PNL - RPLCS C9001973SG	1	EA	Not available online / Call for pricing and availability
Not Shown	C9001241VB	LWR ACC PNL - RPLCS C9001973VB	1	EA	NO LONGER AVAILABLE, Not available online / Call for pricing and availability
Not Shown	C9001241WH	LWR ACC PNL - RPLCS C9001973WH	1	EA	
8	PD020004	10X3/8PH.HD.TYPE 25 REPL PD040125	1	EA	
9	003439-000	POWER DISCONNECT BRACKET	1	EA	NO LONGER AVAILABLE, Not available online / Call for pricing and availability
10	A2004481	WIRE CHANNEL RH (VGSC306)	1	EA	NO LONGER AVAILABLE
11	PD020060	10 X 1/2" (5/16)HEX WSHER HD.(T)A	1	EA	



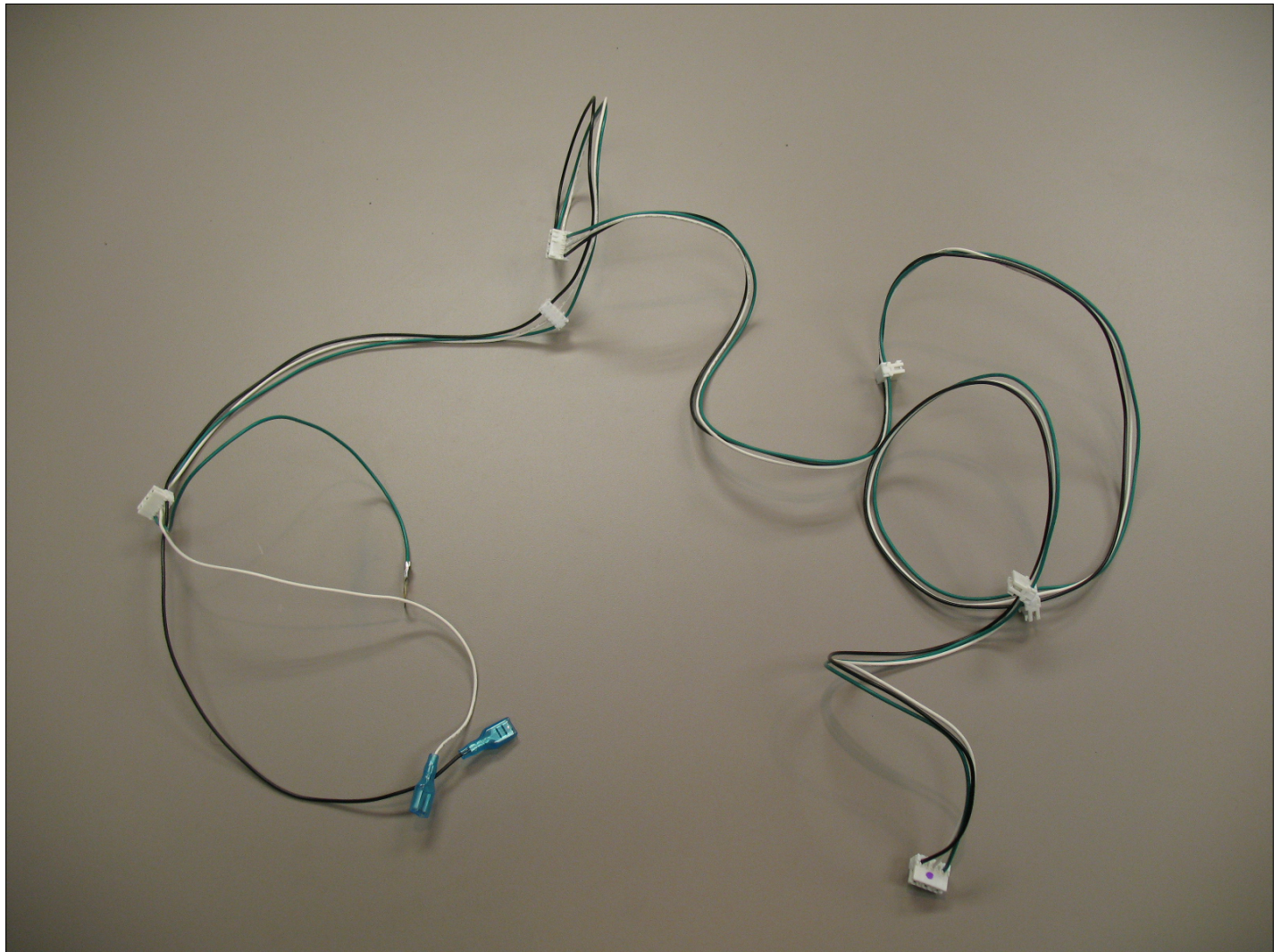
PE070245 LIGHT EXT. HARNESS





Item	Part No.	Name	Qty	Uom	NOTES
1	PE070245	LIGHT EXTENTION HARNESS (VGSC306)	1	EA	
Not Shown	NOTE	(MAY NOT BE USED ON ALL UNITS)		EA	

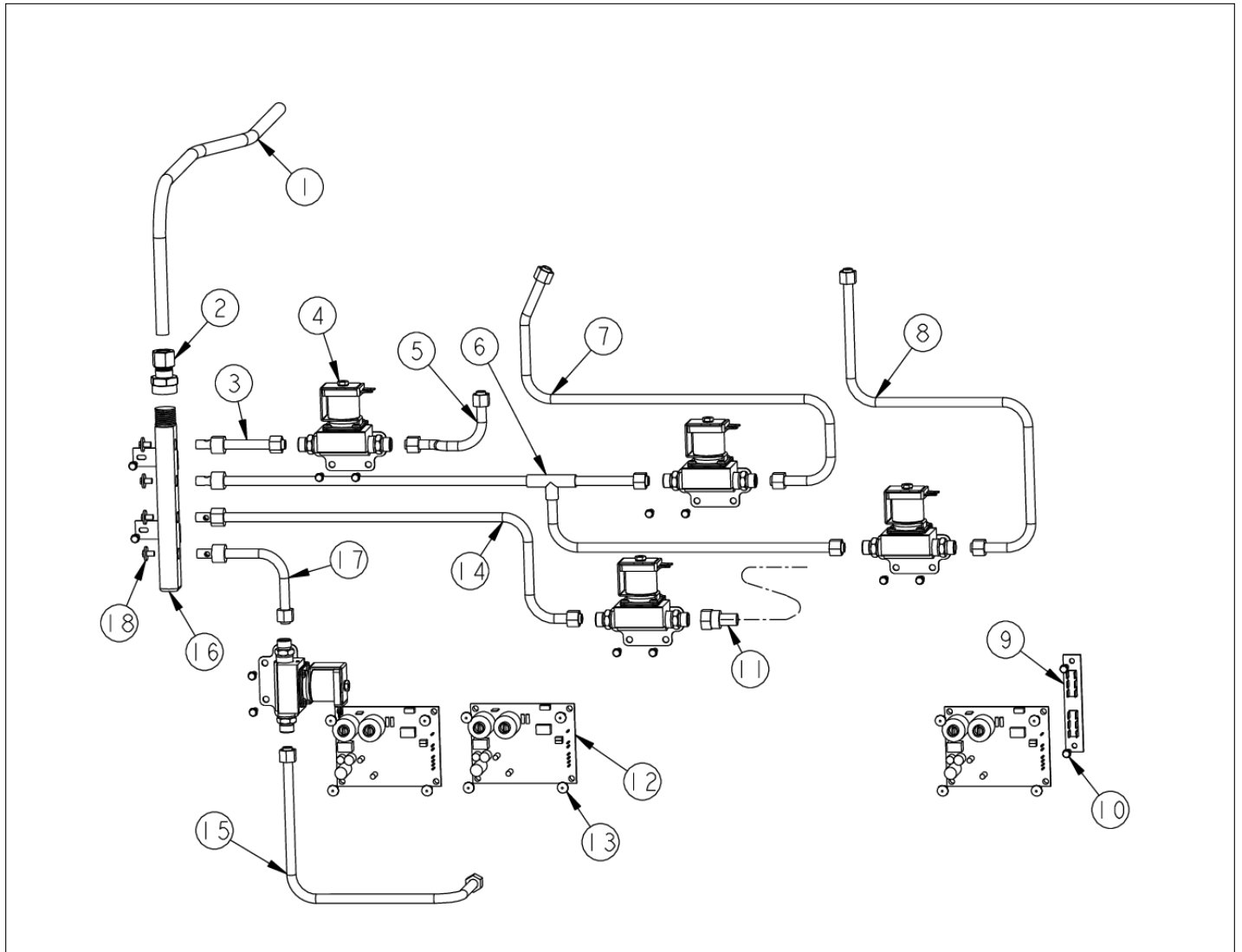
PE070891 IRIS HARNESS





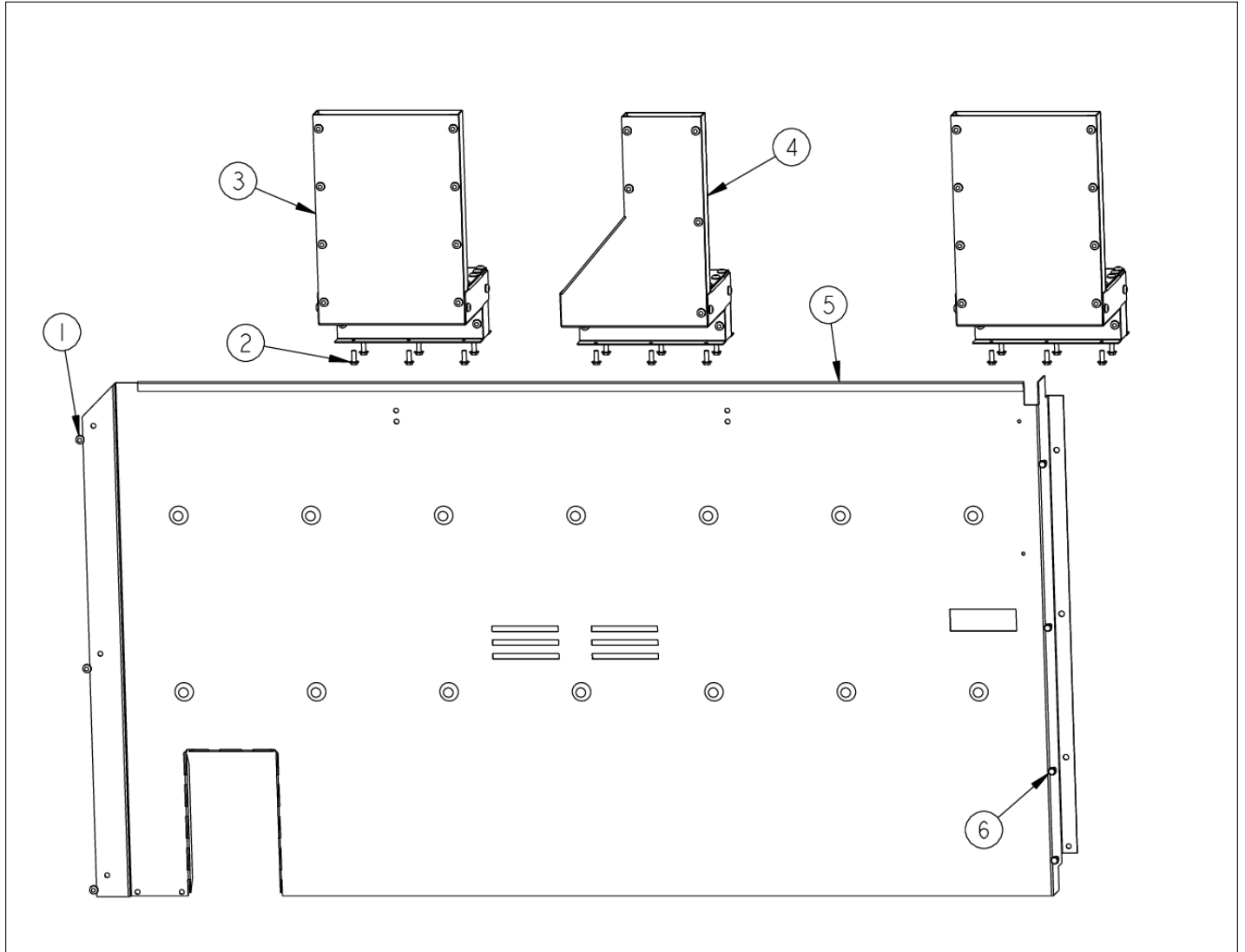
Item	Part No.	Name	Qty	Uom	NOTES
1	PE070891	IRIS HARNESS - 48"	1	EA	

REAR ELECTRONICS AND GAS FLOW



Item	Part No.	Name	Qty	Uom	NOTES
1	000927-000	1/2" ALUM TUBING	1	EA	
2	000847-000	1/2" COMP TO 1/2" FEMALE NPT ADAPTER	1	EA	
3	000916-000	3/8" BROIL TUBING	1	EA	NO LONGER AVAILABLE, Not available online / Call for pricing and availability
4	003226-000	FJT VALVE - NO NUT/FERRELL	1	EA	
5	000921-000	3/8" ALUM TUBING ELBOW	1	EA	
6	003376-000	4G GRIDDLE TUBING TEE ASSEMBLY	1	EA	NO LONGER AVAILABLE, Not available online / Call for pricing and availability
7	003377-000	SEALED 4G RH GRIDDLE TUBING	1	EA	
8	003378-000	SEALED 4G LH GRIDDLE TUBING	1	EA	Not available online / Call for pricing and availability
9	PE050001	TERMINAL BOARD	1	EA	
10	PD020060	10 X 1/2" (5/16)HEX WSHR HD.(T)A	1	EA	
11	PB020136	44" 3/8 S.S. FLEX TUBING T6-44	1	EA	
12	PA020056	NLA - See TC-0063D-SP for kit number (see comments)	1	EA	
13	PD020014	10X3/4 PH TR HD SMS	1	EA	
14	000917-000	3/8" TUBING LH BAKE	1	EA	
15	000919-000	3/8" ALUM TUBING	1	EA	
16	000863-000	4 PORT MANIFOLD - NLA	1	EA	NO LONGER AVAILABLE
17	000918-000	3/8" BAKE TUBING	1	EA	
18	PD010012	1/4 x 3/8 VALVE BOLT	1	EA	

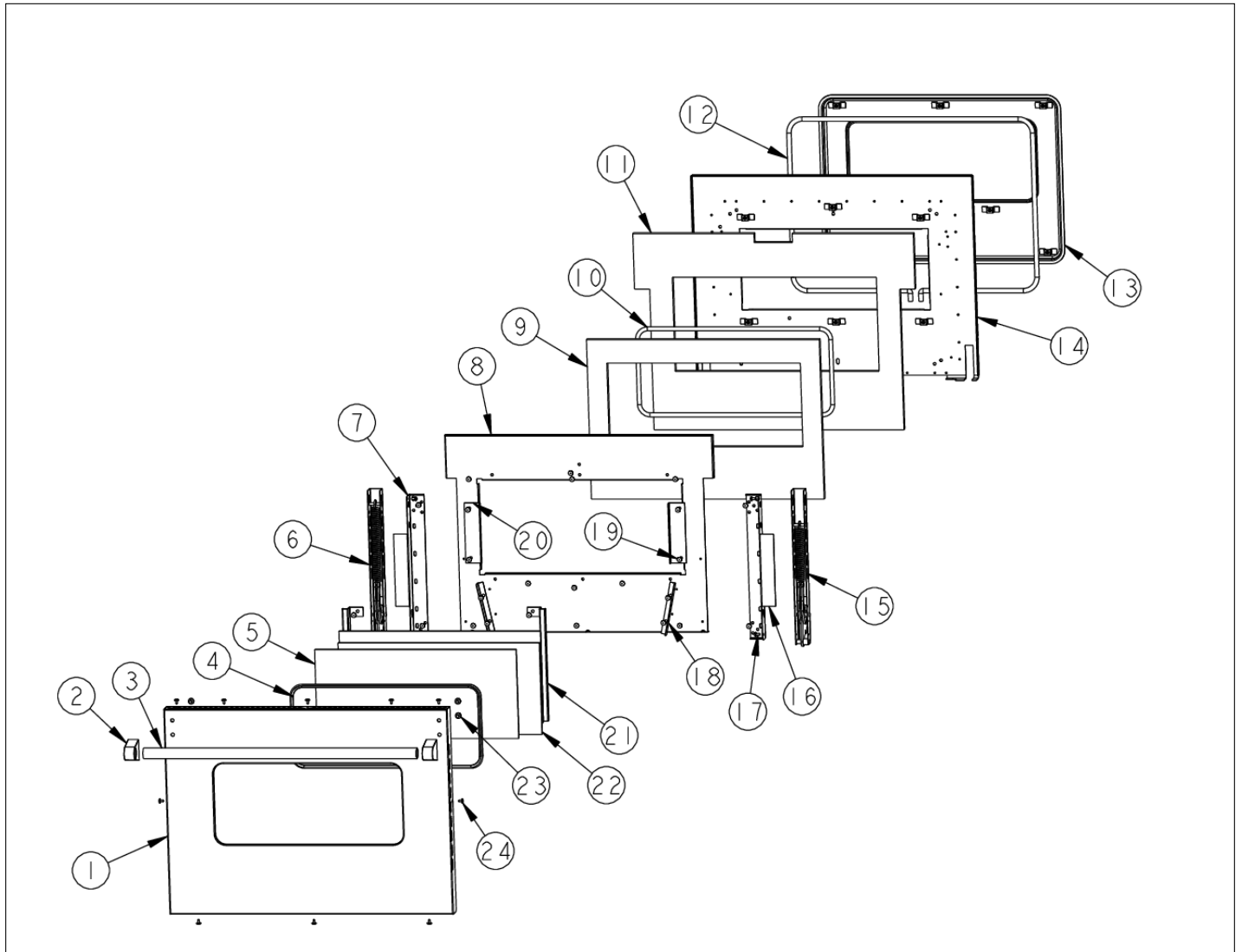
REAR SHEET METAL



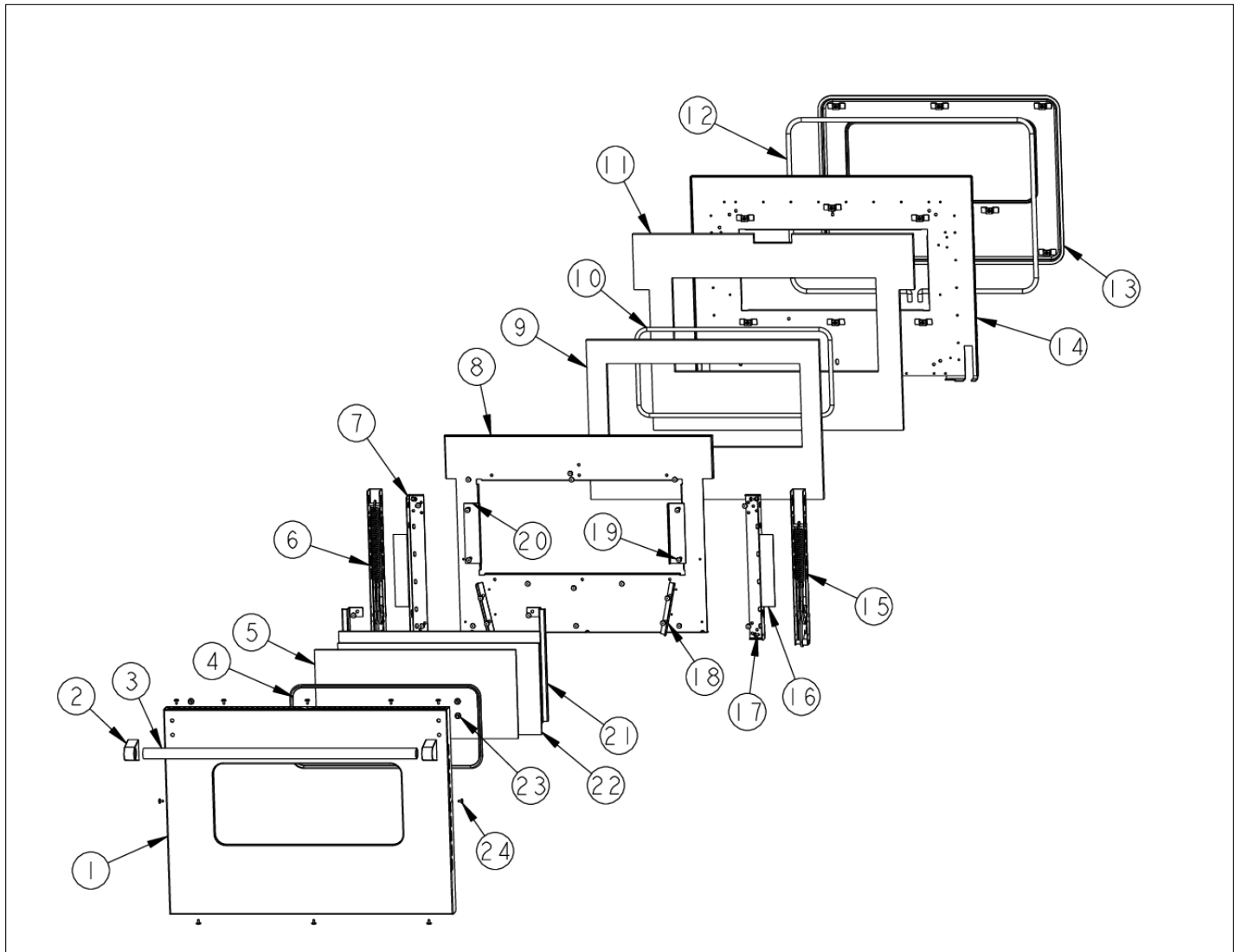


Item	Part No.	Name	Qty	Uom	NOTES
1	PD020004	10X3/8PH.HD.TYPE 25 REPL PD040125	1	EA	
2	PD020048	NO.10 X 1/2 TEK 410 SS SCREW	1	EA	
3	000967-000	FLUE ASSY	1	EA	
4	002363-000	OVEN VENT ASSEMBLY	1	EA	Not available online / Call for pricing and availability
5	A2005583	48 REAR COVER	1	EA	NO LONGER AVAILABLE
6	PD020060	10 X 1/2" (5/16)HEX WSHER HD.(T)A	1	EA	

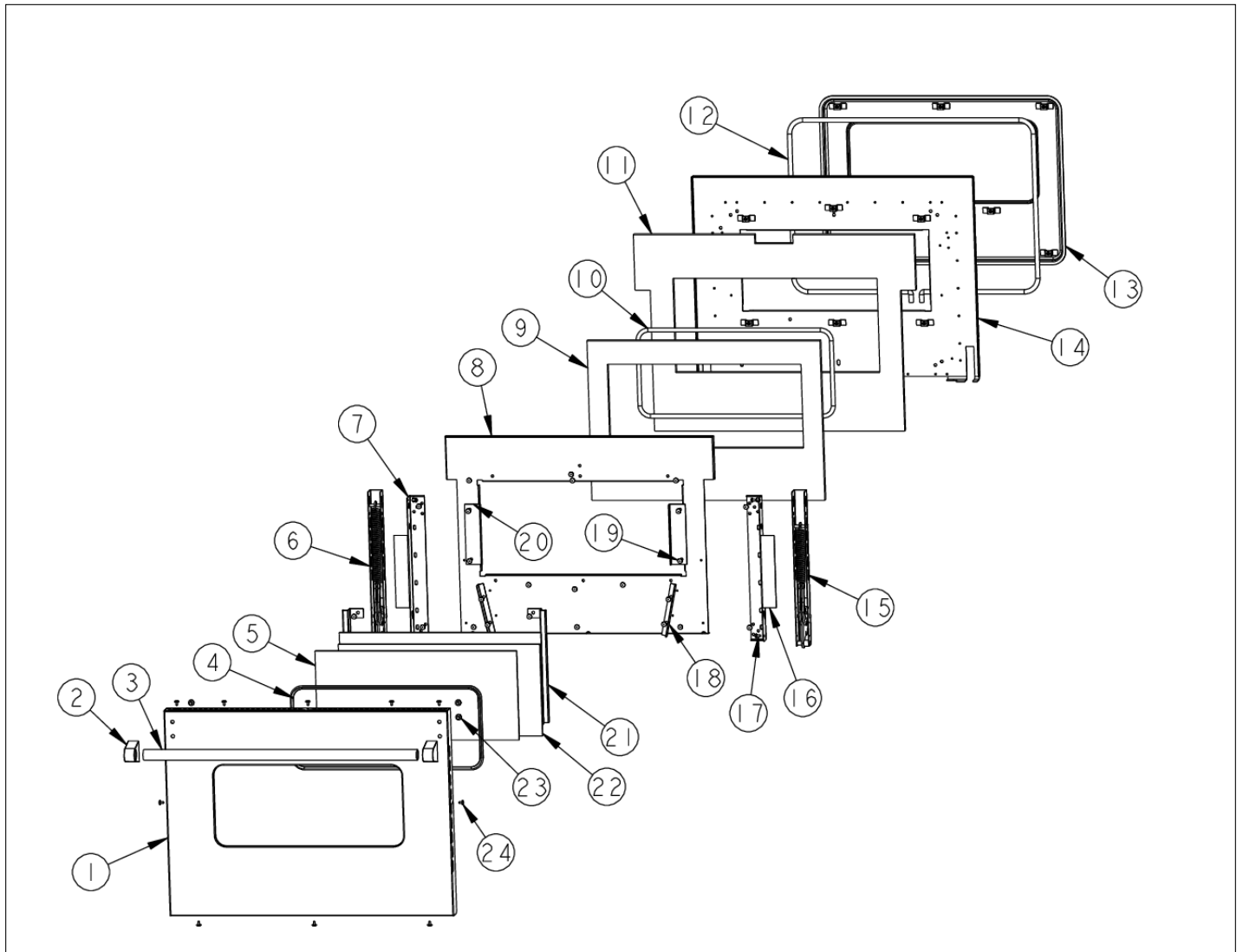
RH DOOR ASSEMBLY



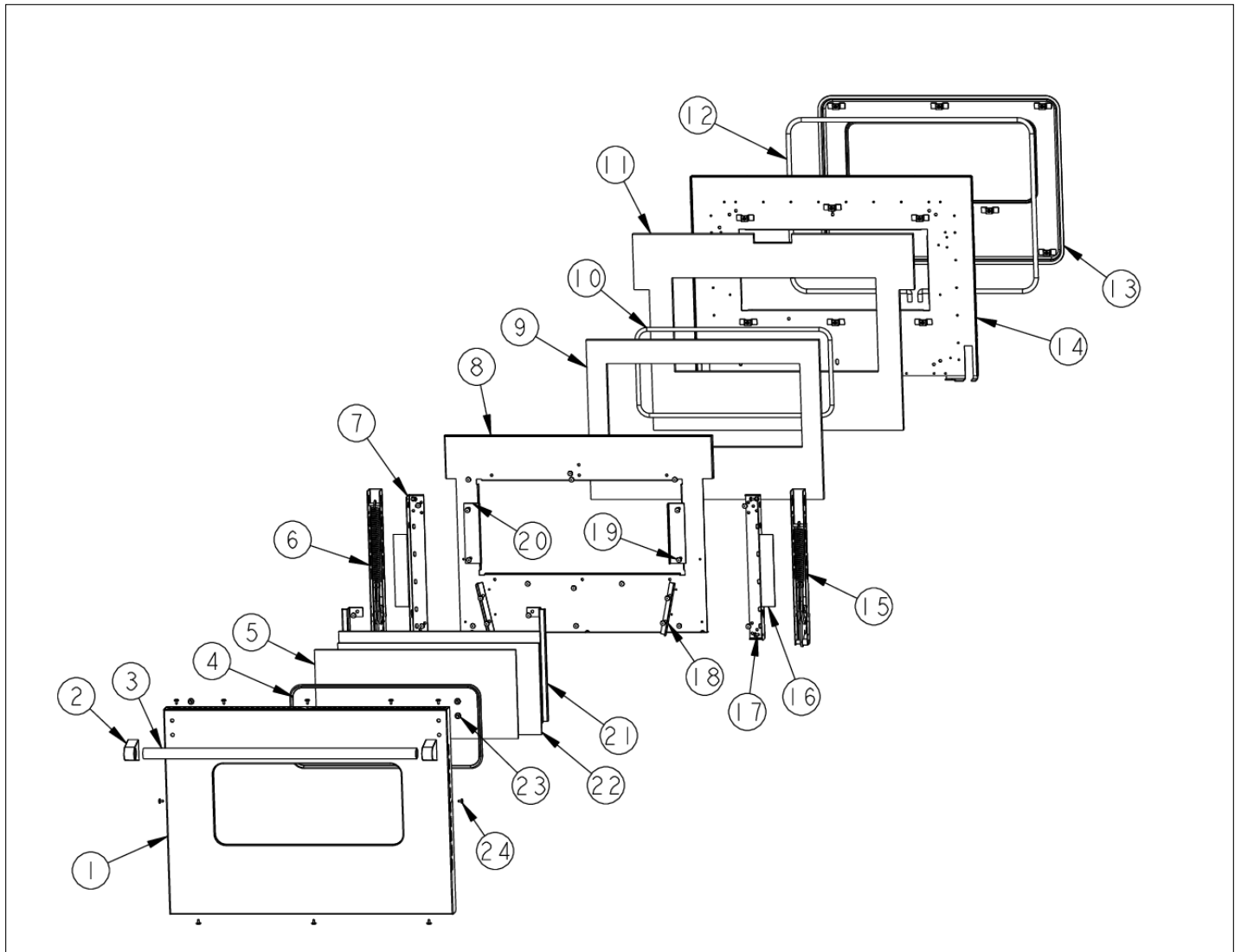
Item	Part No.	Name	Qty	Uom	NOTES
1	B2002528	O/S DOOR PANEL RH *SS* (VDSC48)	1	EA	
Not Shown	C9002528AL	O/S DOOR PANEL-RH *AL* (VDSC48)	1	EA	NO LONGER AVAILABLE
Not Shown	C9002528BK	O/S DOOR PANEL-RH *BK* (VDSC48)	1	EA	
Not Shown	C9002528BT	O/S DOOR PANEL-RH *BT* (VDSC48)	1	EA	NO LONGER AVAILABLE
Not Shown	C9002528BU	O/S DOOR PANEL-RH *BU* (VDSC48)	1	EA	
Not Shown	C9002528CB	O/S DOOR PANEL-RH *CB* (VDSC48)	1	EA	Not available online / Call for pricing and availability
Not Shown	C9002528EP	O/S DOOR PANEL-RH *EP* (VDSC48)	1	EA	NO LONGER AVAILABLE, Not available online / Call for pricing and availability
Not Shown	C9002528FG	O/S DOOR PANEL-RH *FG* (VDSC48)	1	EA	NO LONGER AVAILABLE, Not available online / Call for pricing and availability
Not Shown	C9002528GG	O/S DOOR PANEL-RH *GG* (VDSC48)	1	EA	Not available online / Call for pricing and availability
Not Shown	C9002528LE	O/S DOOR PANEL-RH *LE* (VDSC48)	1	EA	NO LONGER AVAILABLE
Not Shown	C9002528MJ	O/S DOOR PANEL-RH *MJ* (VDSC48)	1	EA	NO LONGER AVAILABLE, Not available online / Call for pricing and availability
Not Shown	C9002528SG	O/S DOOR PANEL-RH *SG* (VDSC48)	1	EA	Not available online / Call for pricing and availability
Not Shown	C9002528VB	O/S DOOR PANEL-RH *VB* (VDSC48)	1	EA	NO LONGER AVAILABLE, Not available online / Call for pricing and availability
Not Shown	C9002528WH	O/S DOOR PANEL-RH *WH* (VDSC48)	1	EA	NO LONGER AVAILABLE
2	000268-000	HANDLE ENDCAP	1	EA	
Not Shown	PE030001PVD	END CAP DOOR HANDLE *BR	1	EA	



Item	Part No.	Name	Qty	Uom	NOTES
3	PE030005	DOOR HANDLE - VGSC30/RC60/RC48RH	1	EA	
Not Shown	PE030012PVD	DOOR HANDLE - RH - (30"/48") PVD	1	EA	
4	PE060031	J-MOLD (LARGE WINDOW)	1	EA	
Not Shown	PE060045	J-MOLD (LARGE WINDOW) *BR*	1	EA	
5	PE060030	OUTER DOOR GLASS	1	EA	
6	PC020223	DOOR HINGE (LONG SPRING) NSF	1	EA	
7	000932-000	DOOR HINGE BRACKET	1	EA	Not available online / Call for pricing and availability
8	A20015315	DOOR INSULATION RETAINER	1	EA	NO LONGER AVAILABLE, Not available online / Call for pricing and availability
9	PB070145	SUPERWOOL 5" X 24" X 3'	1	EA	
10	000594-000	BLACK FIBERGLASS ROPE 3/8	1	EA	
11	PB070145	SUPERWOOL 5" X 24" X 3'	1	EA	
12	000042-000	30" DOOR GASKET	1	EA	
13	001142-000	PLUG, DOOR, ASM, PORCELAIN	1	EA	
<p>Comments for Part Num. 001142-000</p> <p>bradleysapplianceservice@shaw.ca on Nov 2, 2015</p> <p>001142-000 PLUG, DOOR, ASM, PORCELAIN (GREY WITH WHITE SPECS) OLD STYLE</p> <p>001142-402 PLUG, DOOR, ASM, PORCELAIN BK (BLACK LINER) NEW STYLE</p>					
14	001141-000	LINER, DOOR, ASM, PORCELAIN	1	EA	Not available online / Call for pricing and availability
15	PC020222	DOOR HINGE (SHORT SPRING) NSF	1	EA	
16	000075-000	DOOR HINGE BRACKET	1	EA	Not available online / Call for pricing and availability
17	PD020004	10X3/8PH.HD.TYPE 25 REPL PD040125	1	EA	
18	A2002497	DOOR GUIDE ANGLE VDSC	1	EA	

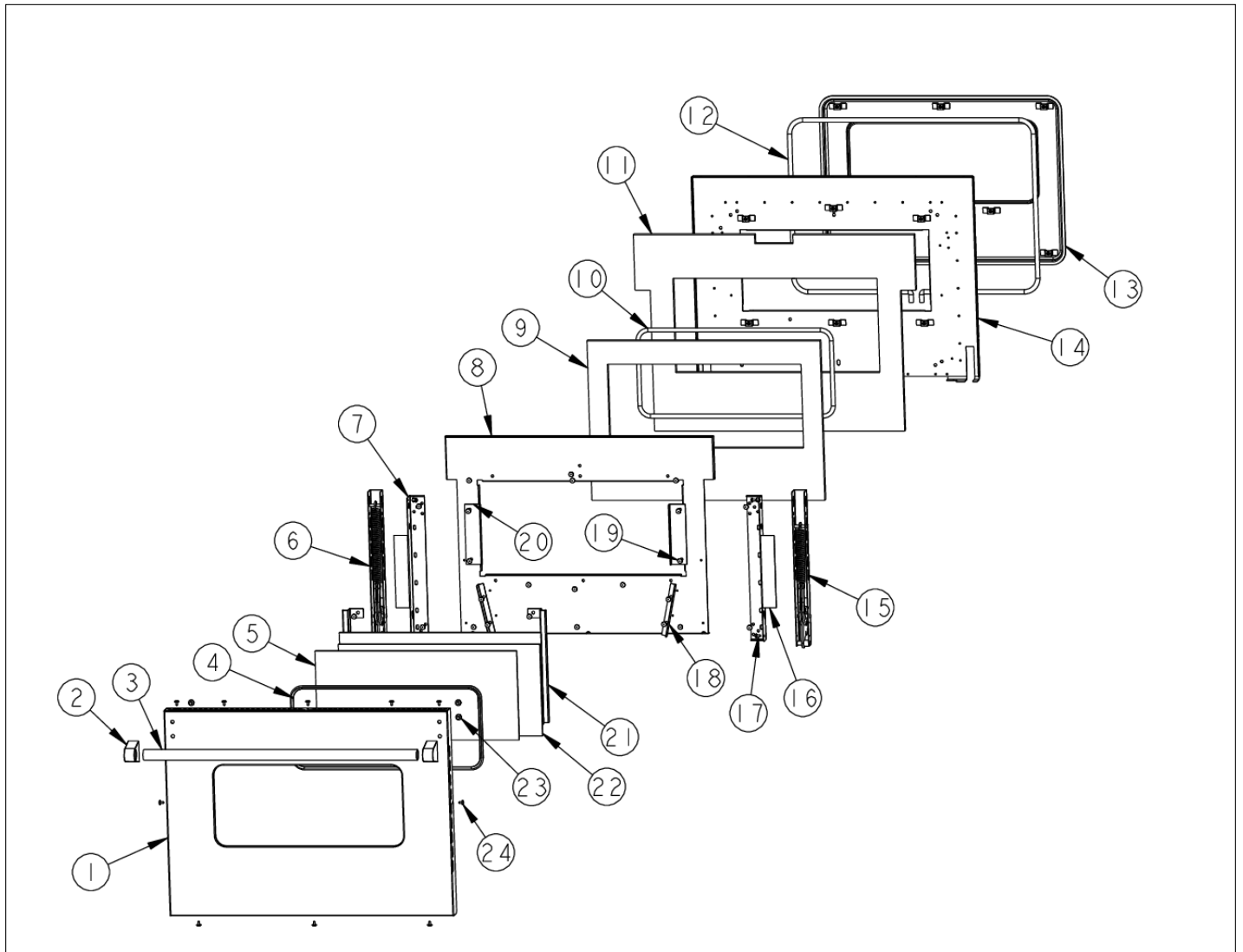


Item	Part No.	Name	Qty	Uom	NOTES
19	PD020002	10 X 1/2 PH.TR.HD.SMS.	1	EA	
20	A2002189	DOOR GLASS STANDOFF (VDSC)	1	EA	
21	A2002367	DOOR GLASS BRKT	1	EA	
22	PE060039	GLASS-HEAT TREATED (HB2) VDSC	1	EA	
23	PD010019	BLT-1/4-20X3/8"HEX WASHER SERATED	1	EA	
24	PD020032	SRW-8(A)X3/8"PH.WFR HD 7/16DIA*NICL	1	EA	
NI	000938-007	COMPLETE DOOR ASSY. - AL	1	EA	Not available online / Call for pricing and availability
Not Shown	000938-107	COMPLETE DOOR ASSY. - ALBR	1	EA	Not available online / Call for pricing and availability
Not Shown	000938-002	COMPLETE DOOR ASSY. - BK	1	EA	Not available online / Call for pricing and availability
Not Shown	000938-102	COMPLETE DOOR ASSY. - BKBR	1	EA	Not available online / Call for pricing and availability
Not Shown	000938-003	COMPLETE DOOR ASSY. - BT	1	EA	Not available online / Call for pricing and availability
Not Shown	000938-103	COMPLETE DOOR ASSY. - BTBR	1	EA	Not available online / Call for pricing and availability
Not Shown	000938-008	COMPLETE DOOR ASSY. - BU	1	EA	Not available online / Call for pricing and availability
Not Shown	000938-108	COMPLETE DOOR ASSY. - BUBR	1	EA	Not available online / Call for pricing and availability
Not Shown	000938-013	COMPLETE DOOR ASSY. - CB	1	EA	Not available online / Call for pricing and availability
Not Shown	000938-113	COMPLETE DOOR ASSY. - CBBR	1	EA	Not available online / Call for pricing and availability





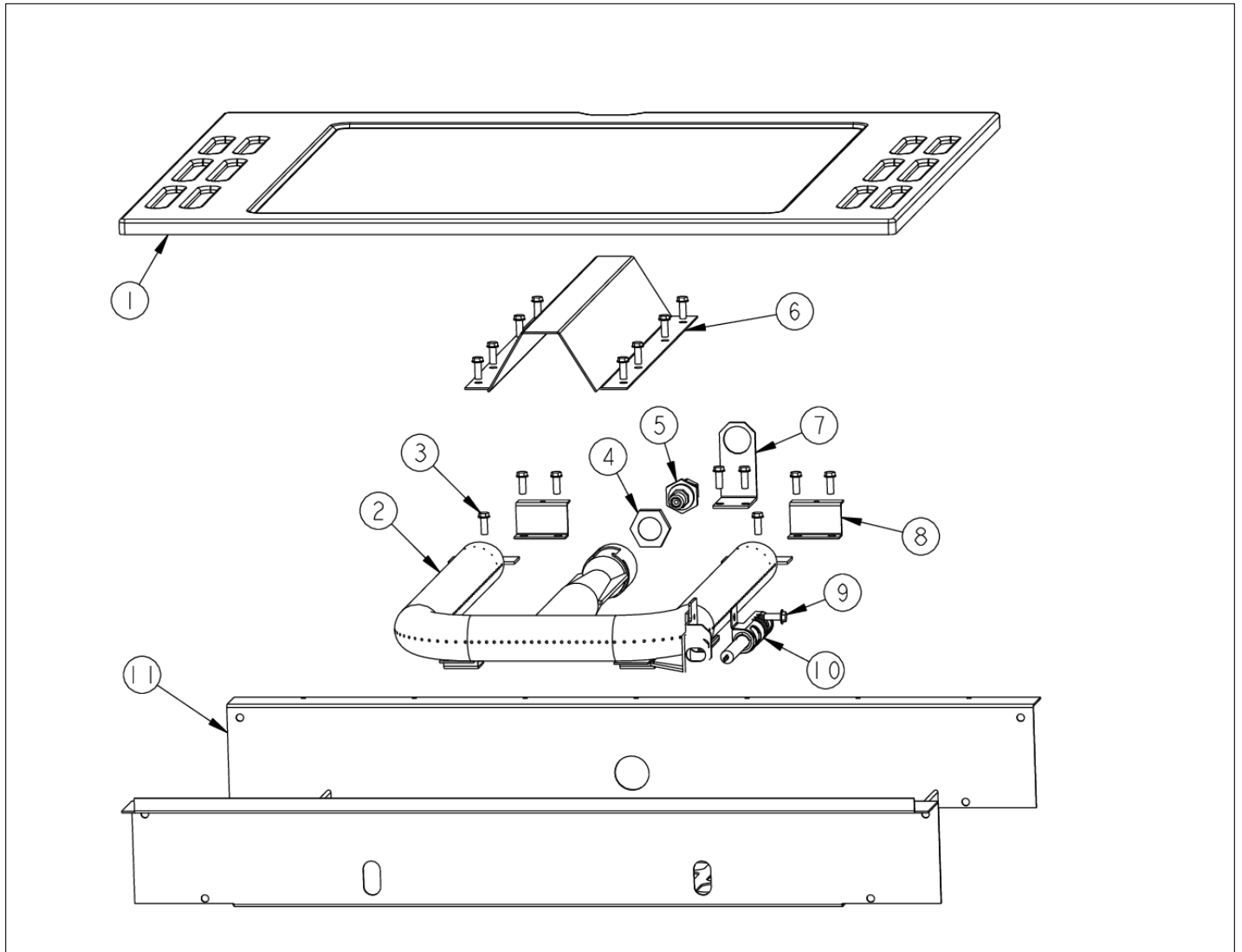
Item	Part No.	Name	Qty	Uom	NOTES
Not Shown	000938-014	COMPLETE DOOR ASSY. - EP	1	EA	Not available online / Call for pricing and availability
Not Shown	000938-114	COMPLETE DOOR ASSY. - EPBR	1	EA	Not available online / Call for pricing and availability
Not Shown	000938-011	COMPLETE DOOR ASSY. - FG	1	EA	Not available online / Call for pricing and availability
Not Shown	000938-111	COMPLETE DOOR ASSY. - FGBR	1	EA	Not available online / Call for pricing and availability
Not Shown	000938-005	COMPLETE DOOR ASSY. - GG	1	EA	Not available online / Call for pricing and availability
Not Shown	000938-105	COMPLETE DOOR ASSY. - GGBR	1	EA	Not available online / Call for pricing and availability
Not Shown	000938-009	COMPLETE DOOR ASSY. - LE	1	EA	Not available online / Call for pricing and availability
Not Shown	000938-109	COMPLETE DOOR ASSY. - LEBR	1	EA	Not available online / Call for pricing and availability
Not Shown	000938-010	COMPLETE DOOR ASSY. - MJ	1	EA	Not available online / Call for pricing and availability
Not Shown	000938-110	COMPLETE DOOR ASSY. - MJBR	1	EA	Not available online / Call for pricing and availability
Not Shown	000938-004	COMPLETE DOOR ASSY. - SG	1	EA	Not available online / Call for pricing and availability
Not Shown	000938-104	COMPLETE DOOR ASSY. - SGBR	1	EA	Not available online / Call for pricing and availability
Not Shown	000938-000	DOOR, ASSEMBLY 30" - NLA	1	EA	NO LONGER AVAILABLE





Item	Part No.	Name	Qty	Uom	NOTES
Not Shown	000938-100	DOOR ASSEMBLY, 48" RH (BR)	1	EA	NO LONGER AVAILABLE, Not available online / Call for pricing and availability
Not Shown	000938-012	COMPLETE DOOR ASSY. - VB	1	EA	Not available online / Call for pricing and availability
Not Shown	000938-112	COMPLETE DOOR ASSY. - VBBR	1	EA	Not available online / Call for pricing and availability
Not Shown	000938-006	COMPLETE DOOR ASSY. - WH	1	EA	Not available online / Call for pricing and availability
Not Shown	000938-106	COMPLETE DOOR ASSY. - WHBR	1	EA	Not available online / Call for pricing and availability

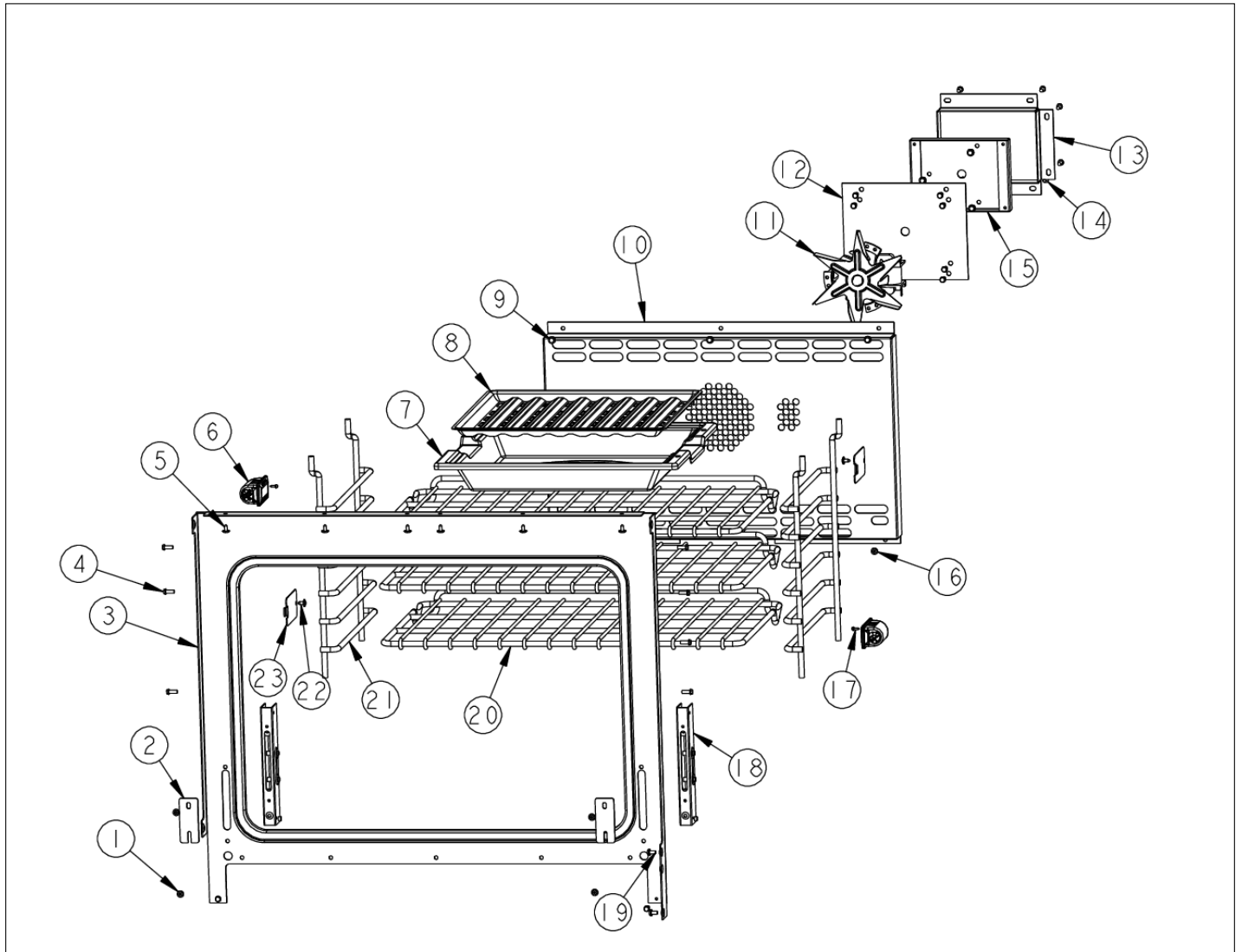
RH OVEN BAKE AREA





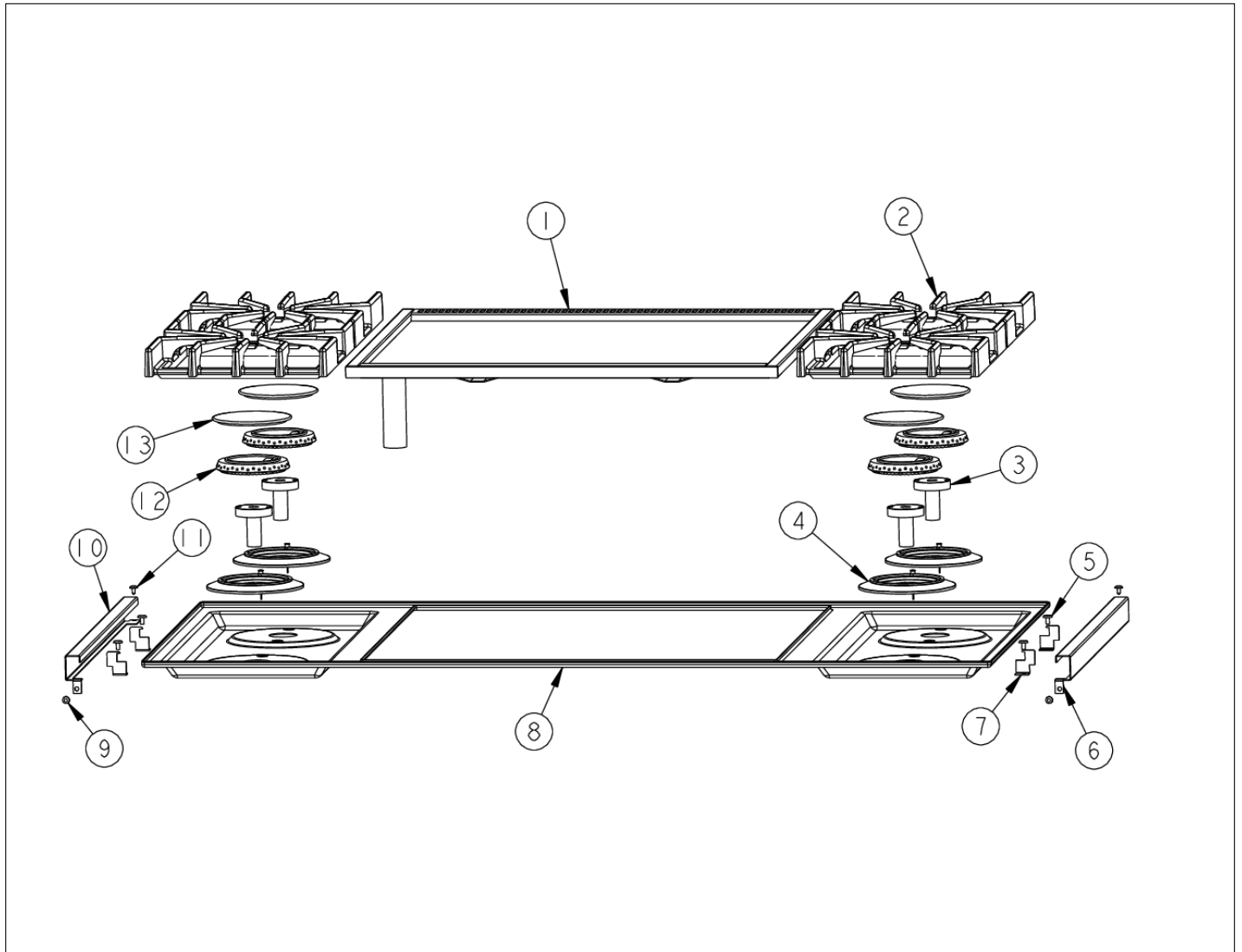
Item	Part No.	Name	Qty	Uom	NOTES
1	068456-000	ASM, BOTTOM, CAVITY, OVEN, GAS, 30", GRAY		EA	
Not Shown	NOTE	(INCLUDES HEAT SHIELD)		EA	
2	006197-000	U-SHAPE BAKE BURNER 8"		EA	
3	PD020060	10 X 1/2" (5/16)HEX WSHER HD.(T)A		EA	
4	PD030018	PALNUT - 3/4-16		EA	
5	PB040265	BULKHEAD ORIFICE FITTING		EA	
Not Shown	PB040246	SUB TO PB040035 - #51 ORIFICE HOOD		EA	NO LONGER AVAILABLE
6	A2004424	BURNER COVER (VGSC306)		EA	
7	A2004434	ORIFICE BRACKET (VGSC306)		EA	Not available online / Call for pricing and availability
8	B2004415	BURNER BRACKET (VGSC306)		EA	
9	PD020048	NO.10 X 1/2 TEK 410 SS SCREW		EA	
10	PB040170	BAKE IGNITION ELECTRODE		EA	
11	A20010137	30" CAVITY BOTTOM/48" RH BOTTOM		EA	NO LONGER AVAILABLE, Not available online / Call for pricing and availability

RH OVEN MAIN CAVITY



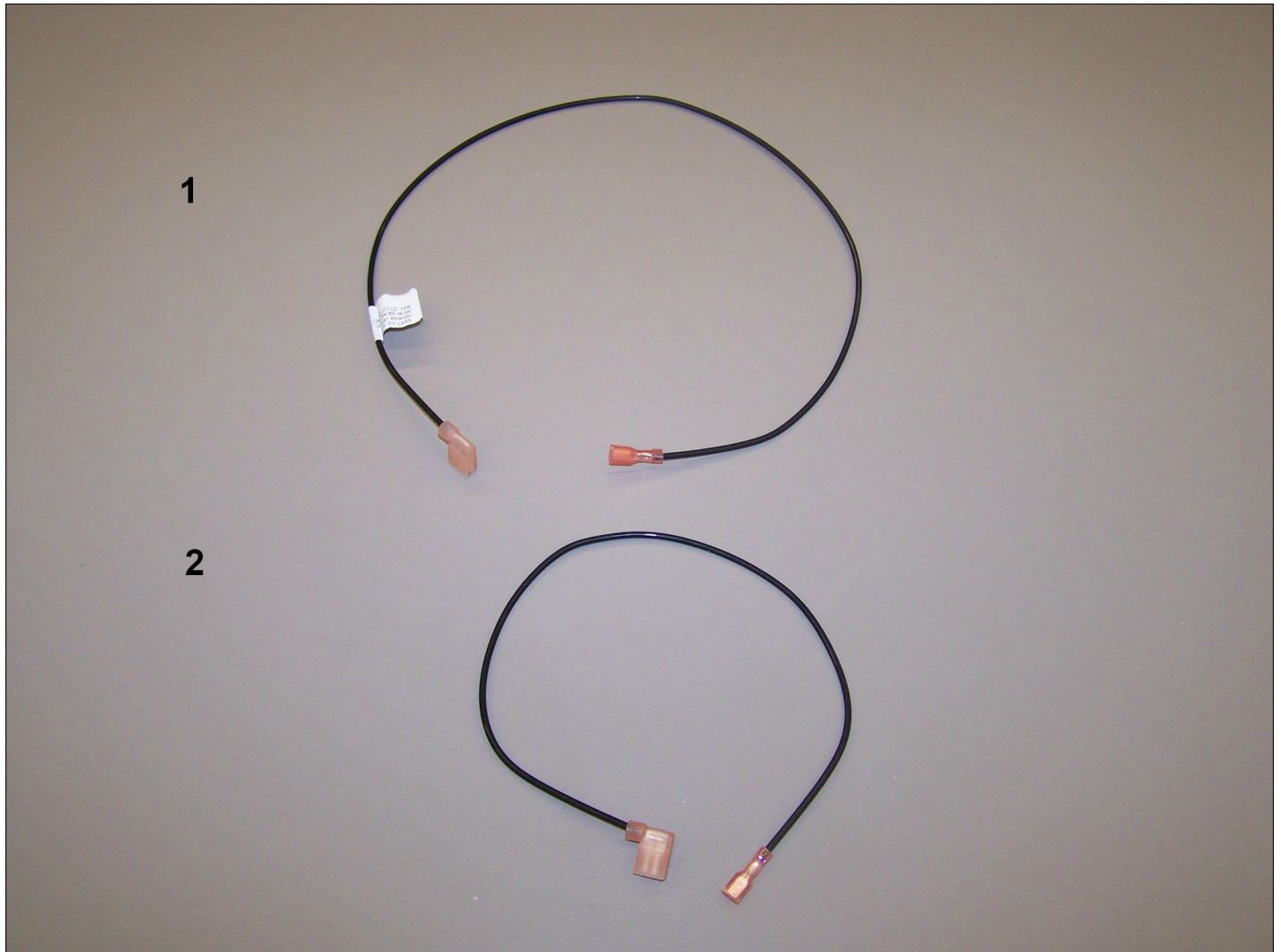
Item	Part No.	Name	Qty	Uom	NOTES
1	003083-000	#8-18 x 1/2" PHIL FLAT TOP TRUSS HD AB SCREW	1	EA	
2	B1007913	HINGE CLIP (DESIGNER TIME PIECE)	1	EA	
3	000991-000	FRONT FRAME 48" RH WELD ASSY	1	EA	NO LONGER AVAILABLE
4	PD020060	10 X 1/2" (5/16)HEX WSHER HD.(T)A	1	EA	
5	PD020032	SRW-8(A)X3/8"PH.WFR HD 7/16DIA*NICL	1	EA	
6	005311-000	LAMP, OVEN, 120V/25W	1	EA	
7	E9107933	BROILER PAN	1	EA	
8	E9107934	BROILER PAN INSERT - NLA	1	EA	
9	PD020048	NO.10 X 1/2 TEK 410 SS SCREW	1	EA	
10	G9104482	CONVECTION FAN COVER ASSY (VGSC306)	1	EA	
11	PE050057	CONVECTION FAN (VGSC306)	1	EA	
12	A1002596	CONVECTION FAN COVER (VDSC)	1	EA	
13	A2008467	INSULATION SHIELD	1	EA	
14	PD020010	10 X 3/8 GREEN GROUNDING SCREW	1	EA	
15	A2002595	CONVECTION FAN BOX (VDSC)	1	EA	
16	M0210443	SCREW-E SM VM0210443	1	EA	
17	PD020013	TYPE "AB" #6 X 3/8 PH PAN HD. SMS	1	EA	
18	PC020295	HINGE RECEIVER ASSEMBLY	1	EA	
19	PD020004	10X3/8PH.HD.TYPE 25 REPL PD040125	1	EA	
20	PB060044	OVEN RK VDSC30/48RH REPL PB060019	1	EA	
21	PB060030	RACK SUPT REPL PB060010	1	EA	
22	PD020063	SCREW-#8(A) X 3/8"PH WFR HD/BK OXID	1	EA	
23	E91012614	LIGHT HOLE COVER	1	EA	

SURFACE COOKING AREA



Item	Part No.	Name	Qty	Uom	NOTES
1	003227-000	24" SEALED GRIDDLE FRAME WELD ASSY	1	EA	
2	PA060054	Burner Grate - BK	1	EA	
3	PA010100	Burner Venturi	1	EA	
4	PB050081	BURNER BASE ASM	1	EA	
Not Shown	NOTE	(INCLUDES IGNITER) - BEFORE 12/18/07		EA	
Not Shown	003322-040	SEALED BURNER BASE, TURNED FINISH	1	EA	
Not Shown	NOTE	(INCLUDES IGNITER) - AFTER 12/18/07		EA	
5	PD020033	SRW-#10-24X1/2"T(23)PH.WFR HD (NKL)	1	EA	
6	B20012923	Side Trim - RH (SS)	1	EA	
Not Shown	C93012923BR	Side Trim - RH (BR)	1	EA	
7	A2007858	SIDE TRIM BRKT	1	EA	
8	E9109804BK	MAIN TOP (VDSC4G/4Q)	1	EA	
Not Shown	E9109804WH	MAIN TOP (VDSC4G/4Q) *WH*	1	EA	NO LONGER AVAILABLE
9	PD020004	10X3/8PH.HD.TYPE 25 REPL PD040125	1	EA	
10	B20012924	Side Trim - LH (SS)	1	EA	
Not Shown	C93012924BR	Side Trim - LH (BR)	1	EA	
11	PD020032	SRW-8(A)X3/8"PH.WFR HD 7/16DIA*NICL	1	EA	
12	PB050063	Burner Head	1	EA	
Not Shown	NOTE	(Before 12/18/07)		EA	
001386-000	018200-000	ADJUSTED SEALED BURNER HEAD	1	EA	
Not Shown	NOTE	(After 12/18/07)		EA	
13	PA080083	D BURNER CAP *MATTE BLACK*	1	EA	
NI	009197-000	#6-32 X 5/8 18-8 SS NC SOC CAP	1	EA	

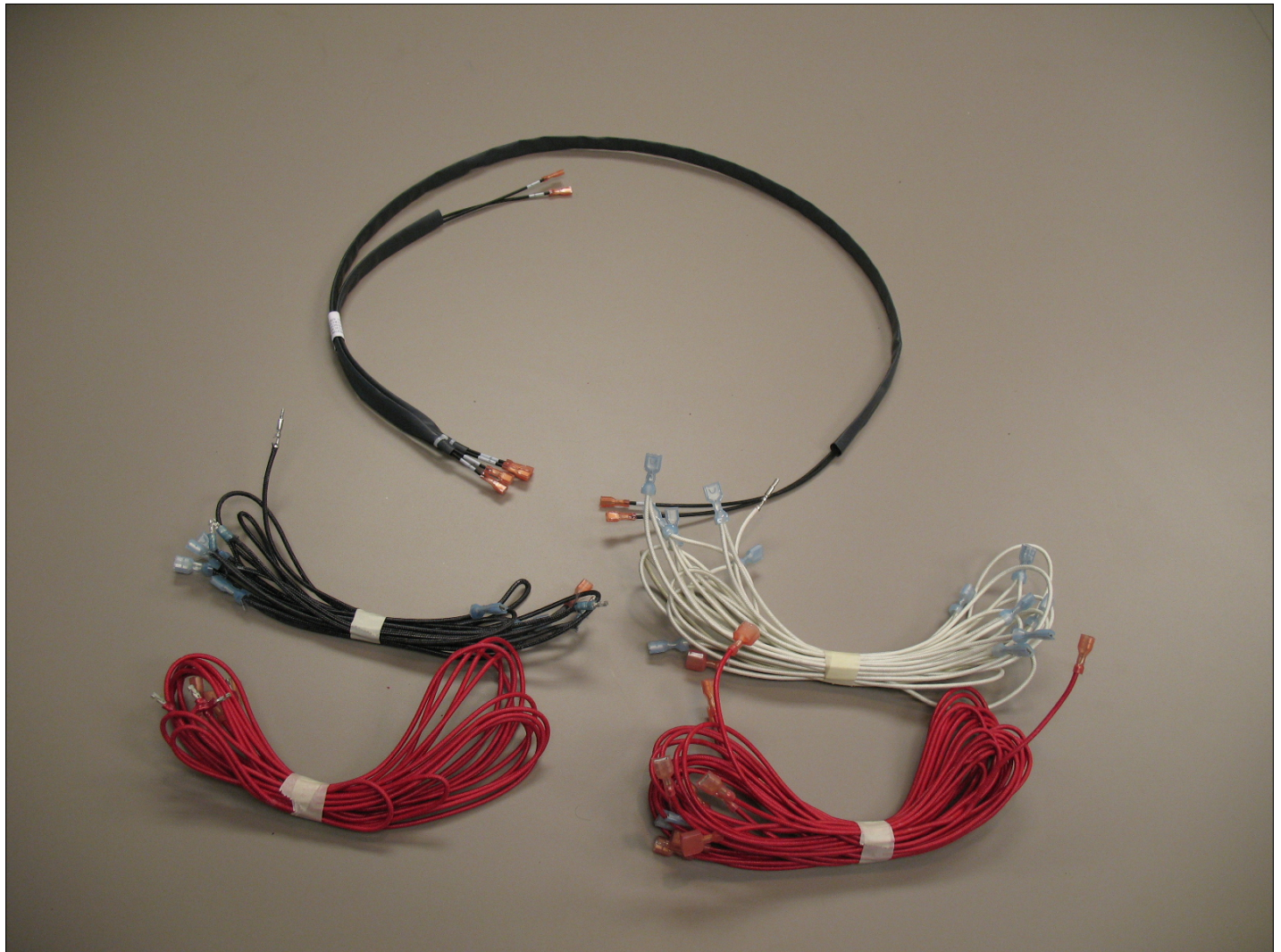
TOP BURNER IGNITER WIRES





Item	Part No.	Name	Qty	Uom	NOTES
1	006766-000	IRIS IGNITOR WIRE, BACK BURNER	1	EA	
2	000647-000	IRIS IGNITOR WIRE, FRONT BURNER	1	EA	

WIRE HARNESS

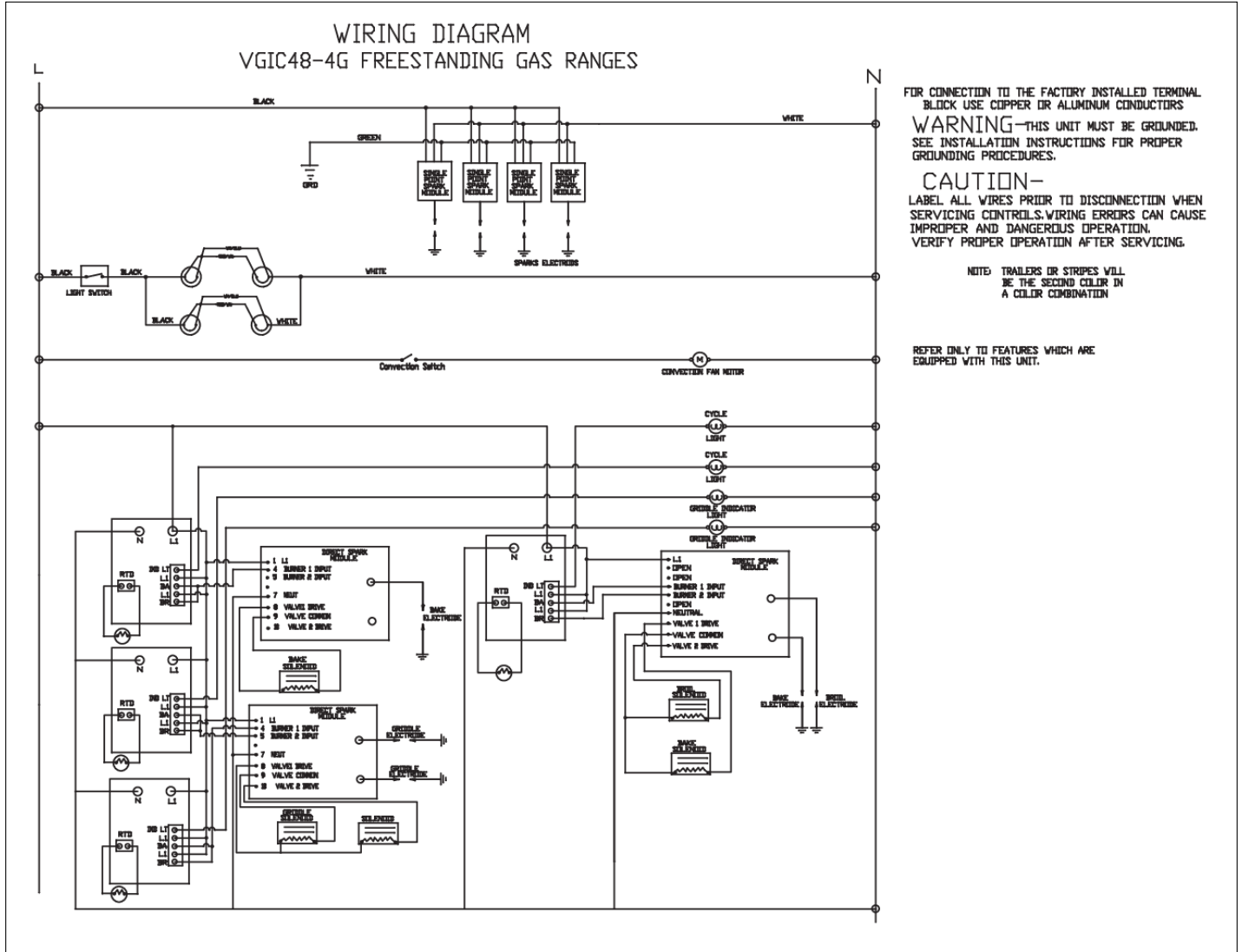




Item	Part No.	Name	Qty	Uom	NOTES
1	001737-000	HARNESS,WIRE VGIC48-4G - NLA	1	EA	NO LONGER AVAILABLE

WIRING DIAGRAM

WIRING DIAGRAM
VGIC48-4G FREESTANDING GAS RANGES





Appendix A:Pages Index

001754-000 POWER DISCONNECT HAR 1
001911-000 BAKE IGNITER WIRE 2
001914-000 BROIL IGNITER WIRE 3
001992-000 LH BAKE IGNITER WIRE 4
001993-000 GRIDDLE IGNITER WIRE 5
BROILER AREA 6
BURNER BOX INTERIOR 7
CONTROL AREA 8
DRIP TRAY 9
G4008493 SUPPLY CORD 10
GRIDDLE SUBASSEMBLY 11
LH DOOR ASSEMBLY 12
LH OVEN BAKE AREA 13
LH OVEN MAIN CAVITY 14
LOWER UNIT AND SIDE PANELS 15
PE070245 LIGHT EXT. HARNESS 16
PE070891 IRIS HARNESS 17
REAR ELECTRONICS AND GAS FLOW 18
REAR SHEET METAL 19
RH DOOR ASSEMBLY 20
RH OVEN BAKE AREA 21
RH OVEN MAIN CAVITY 22
SURFACE COOKING AREA 23
TOP BURNER IGNITER WIRES 24
WIRE HARNESS 25
WIRING DIAGRAM 26



Appendix B:Parts Index

000042-000	20	000938-104	20
000075-000	12, 20	000938-105	20
000080-000	12	000938-106	20
000268-000	12, 20	000938-107	20
000381-000	8	000938-108	20
000381-006	8	000938-109	20
000447-000	8	000938-110	20
000447-006	8	000938-111	20
000448-000	8	000938-112	20
000448-006	8	000938-113	20
000594-000	12, 20	000938-114	20
000647-000	24	000939-000	12
000845-000	8	000946-000	12
000847-000	18	000946-002	12
000863-000	18	000946-003	12
000916-000	18	000946-004	12
000917-000	18	000946-005	12
000918-000	18	000946-006	12
000919-000	18	000946-007	12
000921-000	18	000946-008	12
000927-000	18	000946-009	12
000930-000	8	000946-010	12
000932-000	12, 20	000946-011	12
000938-000	20	000946-012	12
000938-002	20	000946-013	12
000938-003	20	000946-014	12
000938-004	20	000946-100	12
000938-005	20	000946-102	12
000938-006	20	000946-103	12
000938-007	20	000946-104	12
000938-008	20	000946-105	12
000938-009	20	000946-106	12
000938-010	20	000946-107	12
000938-011	20	000946-108	12
000938-012	20	000946-109	12
000938-013	20	000946-110	12
000938-014	20	000946-111	12
000938-100	20	000946-112	12
000938-102	20	000946-113	12
000938-103	20	000946-114	12
		000958-000	11



000967-000	19	003348-012	15
000970-000	11	003348-013	15
000971-000	11	003348-014	15
000972-000	11	003349-000	15
000991-000	22	003349-002	15
001014-000	14	003349-003	15
001141-000	20	003349-004	15
001142-000	20	003349-005	15
001144-000	12	003349-006	15
001145-000	12	003349-007	15
001348-000	6	003349-008	15
001394-042	7	003349-009	15
001394-043	7	003349-010	15
001396-040	7	003349-011	15
001396-044	7	003349-012	15
001737-000	25	003349-013	15
001754-000	1	003349-014	15
001911-000	2	003376-000	18
001914-000	3	003377-000	18
001992-000	4	003378-000	18
001993-000	5	003439-000	15
002363-000	19	003517-000	8
002513-000	11	005311-000	14, 22
002884-000	8	006197-000	21
002888-000	7	006766-000	24
002889-000	7	008091-000	11
003083-000	14, 22	009197-000	23
003226-000	18	013213-000	8
003227-000	23	018200-000	23
003322-040	23	050172-000	8
003348-000	15	068456-000	21
003348-002	15	068457-000	13
003348-003	15	A1001138	8
003348-004	15	A1002596	22
003348-005	15	A1005571	13
003348-006	15	A1007861	11
003348-007	15	A2000210	7
003348-008	15	A20010137	21
003348-009	15	A20010139	13
003348-010	15	A20010184	7
003348-011	15	A20010657	11



A20010693	9	C9002504BT	12
A20013319	7	C9002504BU	12
A20015315	20	C9002504CB	12
A2002189	20	C9002504EP	12
A2002367	20	C9002504FG	12
A2002497	20	C9002504GG	12
A2002595	22	C9002504LE	12
A2004424	21	C9002504MJ	12
A2004434	21	C9002504SG	12
A2004481	15	C9002504VB	12
A2005579	13	C9002504WH	12
A2005583	19	C9002528AL	20
A2005584	15	C9002528BK	20
A2007858	23	C9002528BT	20
A2008467	22	C9002528BU	20
B1007913	14, 22	C9002528CB	20
B2001241	15	C9002528EP	20
B20012923	23	C9002528FG	20
B20012924	23	C9002528GG	20
B2001448	6	C9002528LE	20
B2002504	12	C9002528MJ	20
B2002528	20	C9002528SG	20
B2004415	21	C9002528VB	20
B2005589	6	C9002528WH	20
B2005683	15	C9005683AL	15
B9201286	8	C9005683BK	15
C9001241AL	15	C9005683BT	15
C9001241BK	15	C9005683BU	15
C9001241BT	15	C9005683CB	15
C9001241BU	15	C9005683EP	15
C9001241CB	15	C9005683FG	15
C9001241EP	15	C9005683GG	15
C9001241FG	15	C9005683LE	15
C9001241GG	15	C9005683MJ	15
C9001241LE	15	C9005683SG	15
C9001241MJ	15	C9005683VB	15
C9001241SG	15	C9005683WH	15
C9001241VB	15	C93012923BR	23
C9001241WH	15	C93012924BR	23
C9002504AL	12	E91012614	22
C9002504BK	12	E9102668	12



E9107933	22	PB050063	23
E9107934	22	PB050074	11
E9109804BK	23	PB050080	13
E9109804WH	23	PB050081	23
G30010697	9	PB060030	14, 22
G30013336	9	PB060044	22
G3001876	6	PB060046	14
G3009843	8	PB070145	12, 12, 20, 20
G4008493	10	PC020222	12, 20
G9104482	22	PC020223	20
G93011461PVD	9	PC020295	14, 22
J2101749	9	PC030017	15
M0210443	22	PC040010	7
PA010100	23	PD010003	8
PA020056	18	PD010012	8, 18
PA020058	8	PD010019	12, 20
PA050086	7	PD020002	12, 20
PA060054	23	PD020004	7, 8, 11, 12, 14, 15, 19, 20, 22, 23
PA070003	8	PD020010	22
PA080075	7	PD020013	14, 22
PA080083	23	PD020014	18
PB010206	8	PD020032	12, 14, 15, 20, 22, 23
PB010207	8	PD020033	8, 23
PB010209	8	PD020044	8
PB020136	13, 18	PD020046	8
PB020192	7	PD020048	6, 13, 14, 19, 21, 22
PB020193	7	PD020060	6, 13, 14, 15, 18, 19, 21, 22
PB030006	8	PD020063	22
PB040027	6	PD020076	7
PB040040	6	PD020079	9
PB040062	13	PD030005	8
PB040170	21	PD030006	8, 12
PB040171	6	PD030018	6, 13, 21
PB040178	6	PD040004	9
PB040190	11	PD040028	9
PB040194	7	PE010030	12
PB040217	7, 7	PE010031	12
PB040229	13	PE010068	12
PB040246	21	PE010076	12
PB040265	21	PE010081	8
PB040273	13	PE010082	8



PE030001PVD	12, 20
PE030005	20
PE030008	12
PE030012PVD	20
PE030014PVD	12
PE050001	18
PE050016	8
PE050017	8
PE050023	8
PE050024	8
PE050057	22
PE050206	6, 11, 14
PE060030	20
PE060031	20
PE060032	12
PE060039	20
PE060045	20
PE060046	12
PE060048	12
PE060049	12
PE070245	16
PE070891	17
PK000007	7
PK000008	7