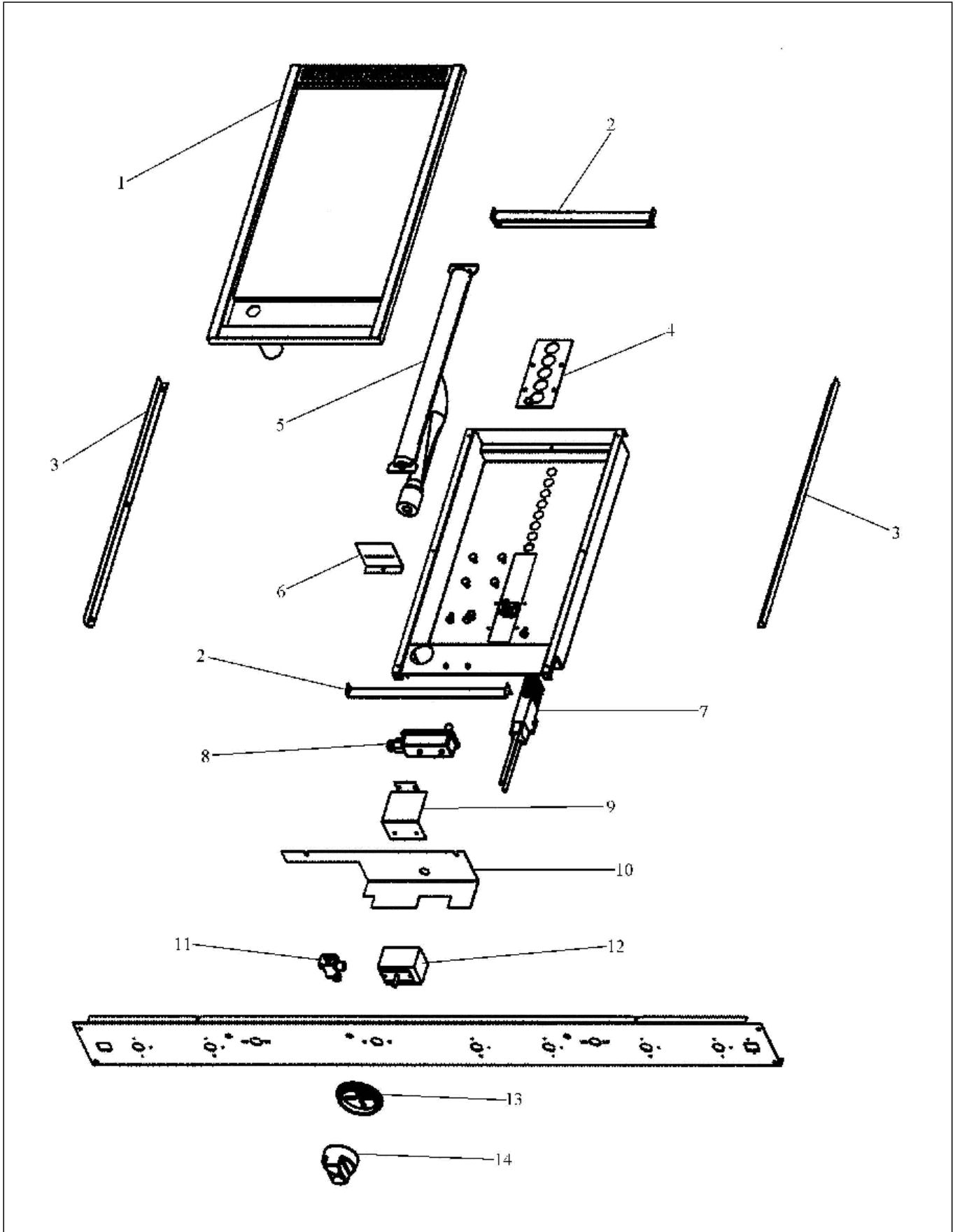


VGIC487

12 GRIDDLE ASSY	1
12 GRILL ASSY	2
24 GRIDDLE ASSY	3
BURNER BOX ASSY	4
LH DOOR ASSY	5
LH OVEN ASSY	6
LOWER UNIT ASSY	7
REAR UNIT ASSY	8
RH DOOR ASSY	9
RH OVEN ASSY	10
Appendix A:Pages Index	A
Appendix B:Parts Index	B

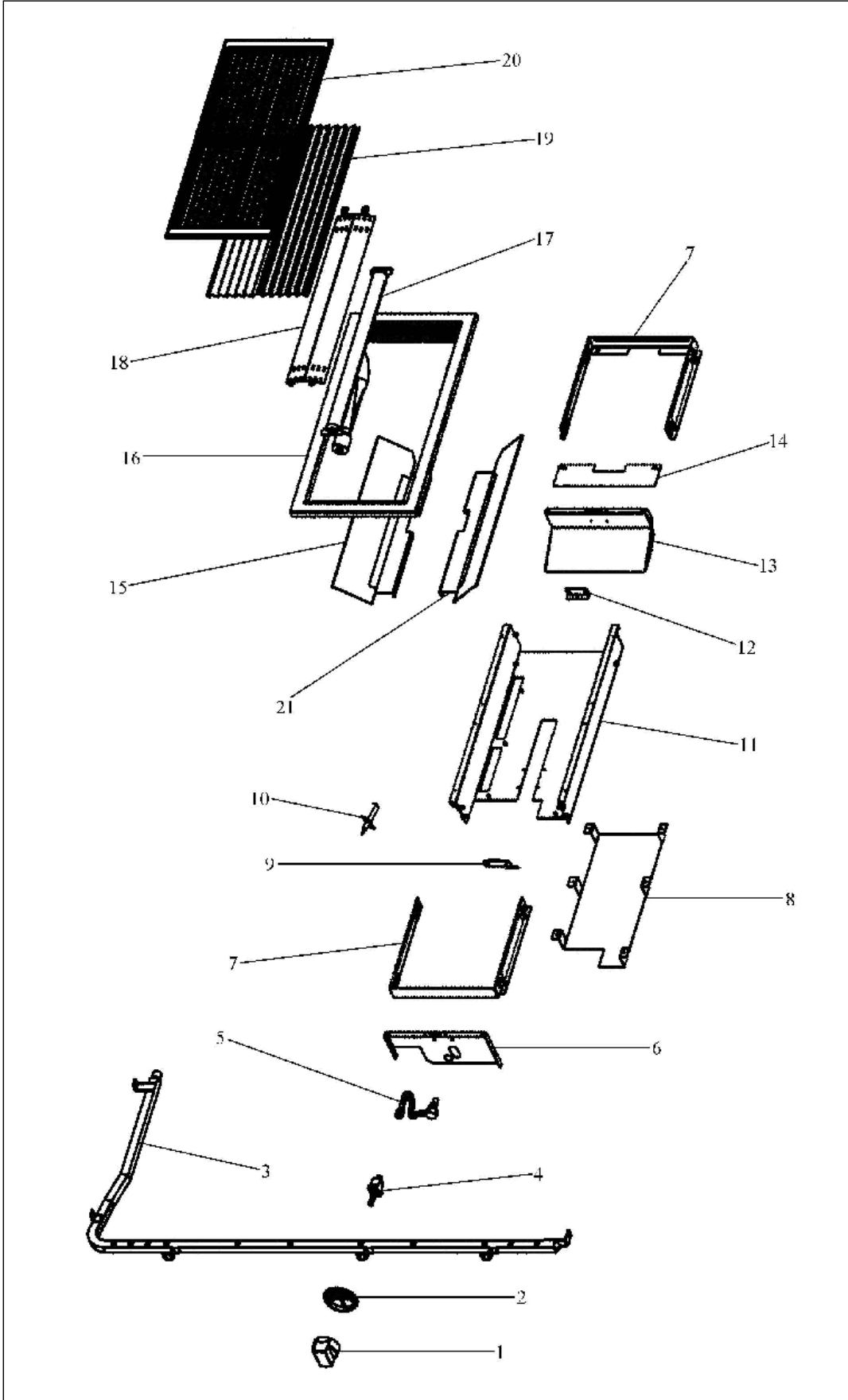
12 GRIDDLE ASSY





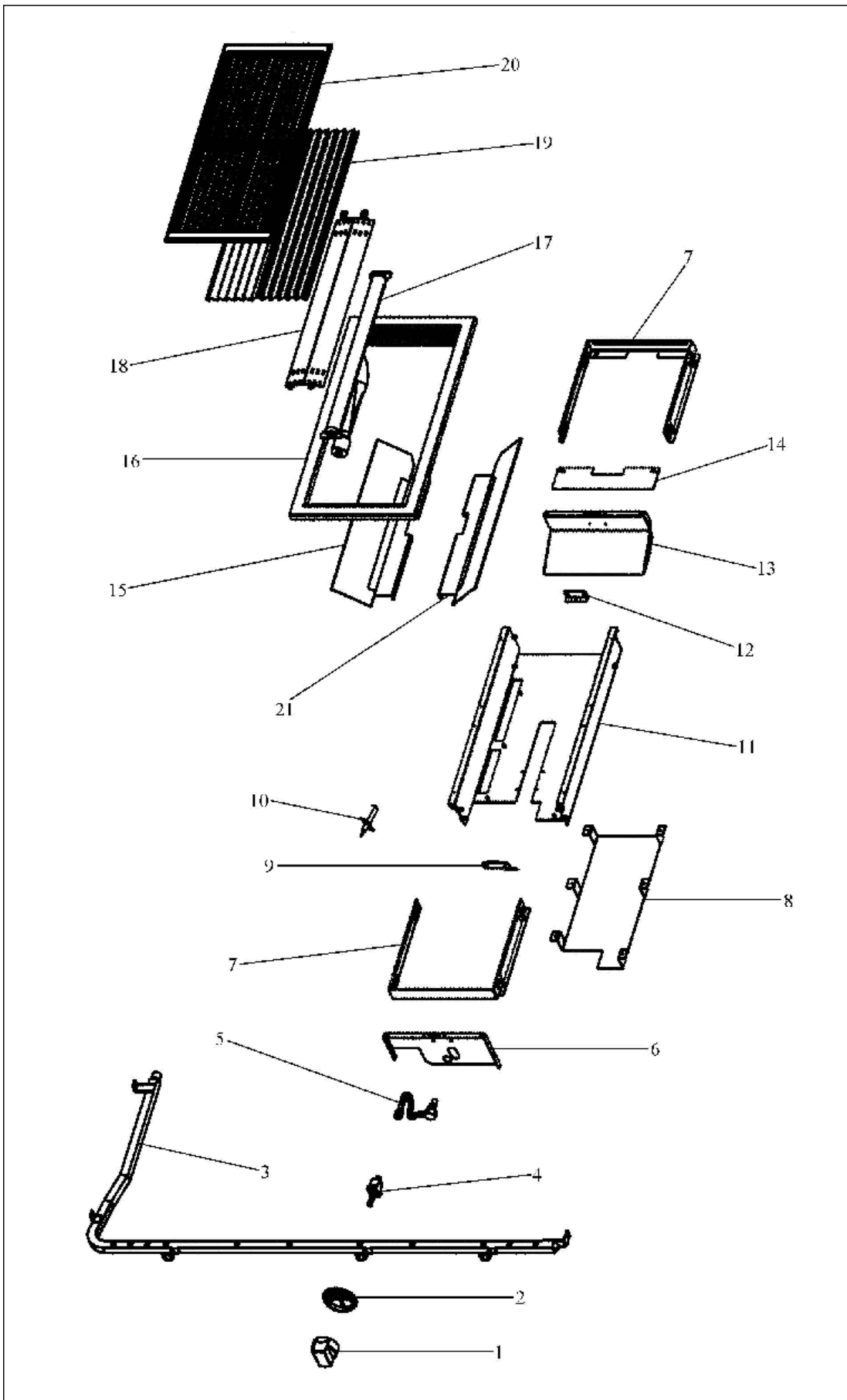
Item	Part No.	Name	Qty	Uom	NOTES
1	003208-000	12" SEALED GRIDDLE FRAME ASSY	1	EA	
2	A20011249	GRIDDLE FLUE COVER	1	EA	NO LONGER AVAILABLE, Not available online / Call for pricing and availability
3	A20010657	GRIDDLE BOX FLANGE	1	EA	
4	A1007861	Griddle Venturi Cover	1	EA	Not available online / Call for pricing and availability
5	PB050074	Griddle Burner	1	EA	
6	A2009580	Griddle Burner Bracket	1	EA	
7	PB040001	Igniter	1	EA	
8	PB010004	SINGLE SAFETY VALVE (NAT. GRIDDLE)	1	EA	
9	A2007867	Griddle Valve Bracket	1	EA	Not available online / Call for pricing and availability
10	A20010470	Component Shield	1	EA	
11	003862-000	SHUTOFF VALVE (PB030002 VALVE AND BOLT KIT)	1	EA	
Not Shown	NOTE	(Before 2/23/05)		EA	
PB030007	007147-000	SHUTOFF VALVE ASSY	1	EA	
Not Shown	NOTE	(After 2/23/05)		EA	
12	PB010264	GRIDDLE THERMOSTAT	1	EA	
13	050172-000	BEZEL, KNOB	1	EA	
Not Shown	PB010209	Bezel - BR	1	EA	
14	PB010103	GRIDDLE KNOB N/S *BK*	1	EA	
Not Shown	PB010104	GRIDDLE KNOB N/S *WH*	1	EA	
NI	PB020116	TUBING - 10" FLEXIBLE 12 & 24"	1	EA	

12 GRILL ASSY





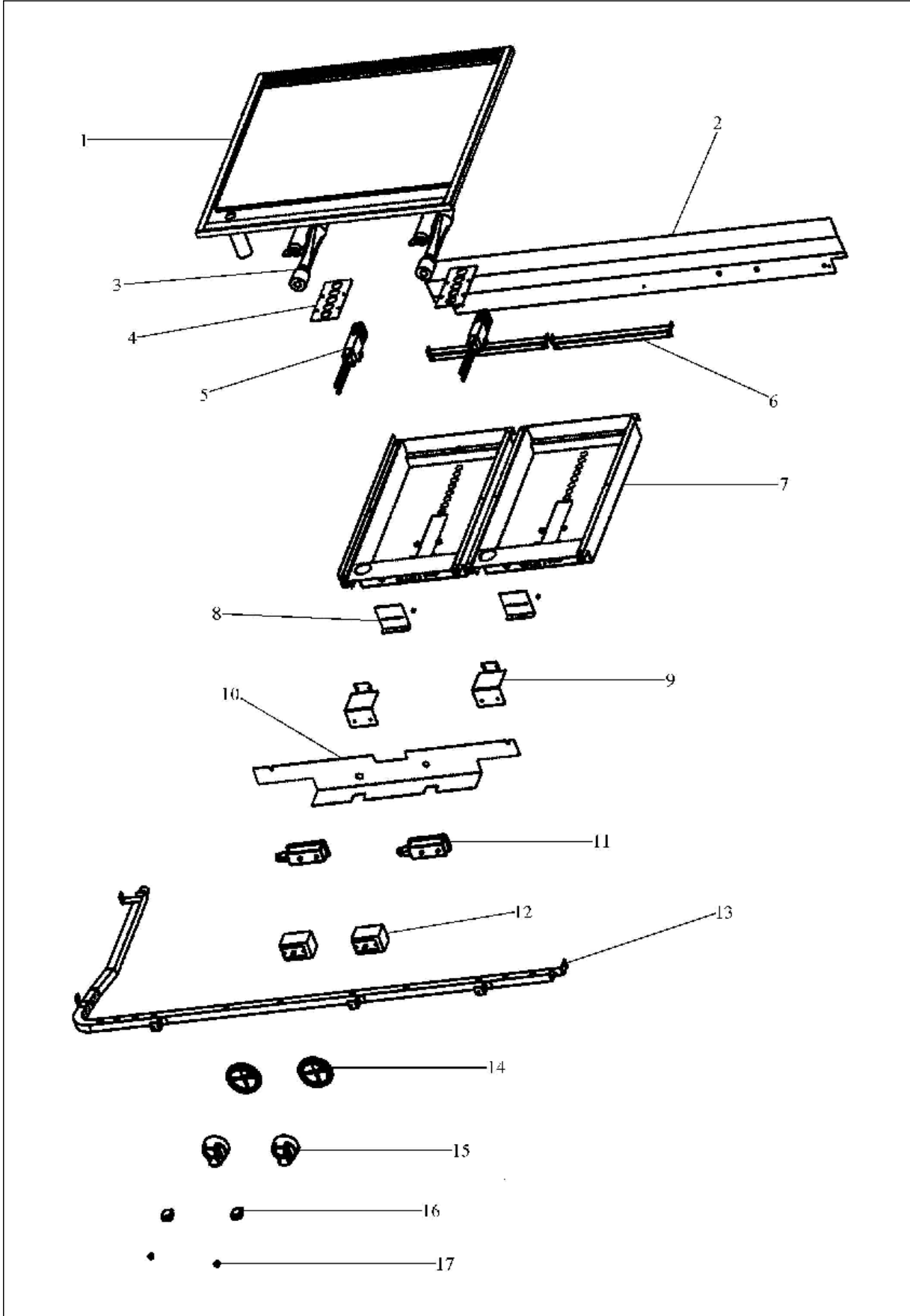
Item	Part No.	Name	Qty	Uom	NOTES
1	PA010039	TOP GRILL KNOB*BK* (VGRC) (N/STYLE	1	EA	
Not Shown	PA010040	TOP GRILL KNOB*WH* (VGRC) (N/STYLE	1	EA	
2	050172-000	BEZEL, KNOB	1	EA	
Not Shown	PB010209	Bezel - BR	1	EA	
3	002569-000	UNIVERSAL 48" MANIFOLD	1	EA	
4	PA010030	GRILL VALVE-(VGRT)	1	EA	
5	PB020025	TUBING-GRILL (REVISED) REP PB020021	1	EA	
6	A2001631	GRILL BOX FRONT (VGRC)	1	EA	
7	A2007871	SHIELD GRATE BRACKET	1	EA	NO LONGER AVAILABLE
8	A2001863	GRILL BTM SHIELD (VGRC605)	1	EA	
9	A2001633	GRILL FRONT SPARKER BRKT (VGRC)	1	EA	
10	PA020028	SPARK IGNITER	1	EA	
11	A2007863	GRILL BOX	1	EA	NO LONGER AVAILABLE, Not available online / Call for pricing and availability
12	A2001132	REAR GRILL BURNER BRKT (VGRT)	1	EA	
13	A2001855	GRILL BACK - (VGRC605)	1	EA	
14	A10010162	SHIELD BRACE	1	EA	NO LONGER AVAILABLE
15	B2009846	HEAT DEFLECTOR	1	EA	
16	G9109811AL	GRILL SUPPORT ASSEMBLY - AL	1	EA	Not available online / Call for pricing and availability
Not Shown	G9109811	GRILL SUPT ASSY *BK*	1	EA	
Not Shown	G9109811BT	GRILL SUPPORT ASSEMBLY - BT	1	EA	Not available online / Call for pricing and availability
Not Shown	G9109811CB	GRILL SUPPORT ASSEMBLY - CB	1	EA	Not available online / Call for pricing and availability





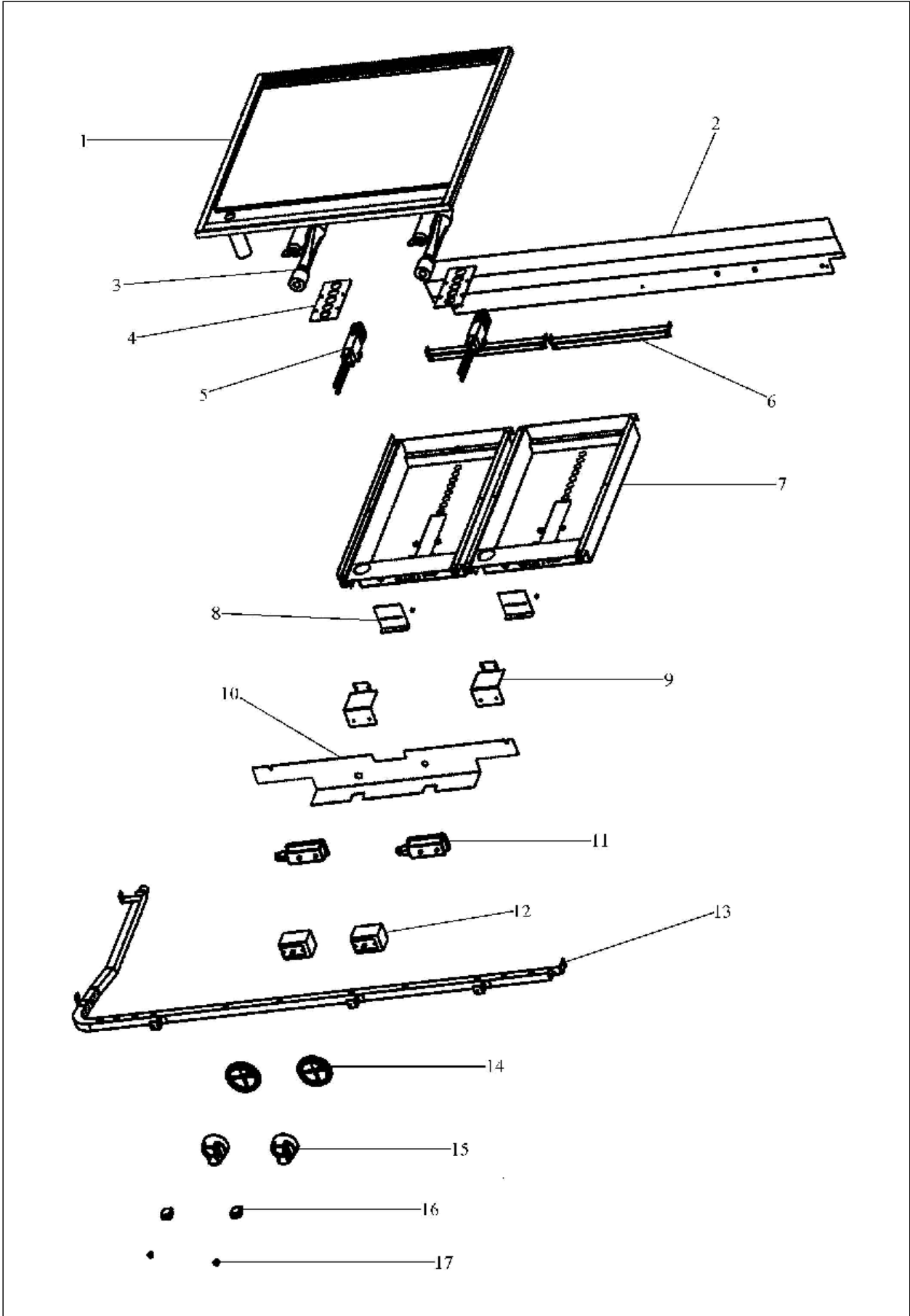
Item	Part No.	Name	Qty	Uom	NOTES
Not Shown	G9109811EP	GRILL SUPPORT ASSEMBLY - EP	1	EA	Not available online / Call for pricing and availability
Not Shown	G9109811FG	GRILL SUPPORT ASSEMBLY - FG	1	EA	Not available online / Call for pricing and availability
Not Shown	G9109811GG	GRILL SUPPORT ASSEMBLY - GG	1	EA	Not available online / Call for pricing and availability
Not Shown	G9109811LE	GRILL SUPPORT ASSEMBLY - LE	1	EA	Not available online / Call for pricing and availability
Not Shown	G9109811MJ	GRILL SUPPORT ASSEMBLY - MJ	1	EA	Not available online / Call for pricing and availability
Not Shown	G9109811SG	GRILL SUPPORT ASSEMBLY - SG	1	EA	Not available online / Call for pricing and availability
Not Shown	G9109811VB	GRILL SUPPORT ASSEMBLY - VB	1	EA	Not available online / Call for pricing and availability
Not Shown	G9109811WH	GRILL SUPT ASSY *WH*	1	EA	NO LONGER AVAILABLE, Not available online / Call for pricing and availability
17	PB050077	GRILL BURNER	1	EA	
18	B2009866	SEALED FLAME SHIELD	1	EA	NO LONGER AVAILABLE
19	E9101130BK	GRILL SMOKE GENERATOR	1	EA	
20	PA060058	GRILL GRATE - MATT *BK* RE PA060028	1	EA	
Not Shown	PA060059	GRILL GRATE -MATT *GR* RE PA060029	1	EA	
21	B20010163	HEAT DEFLECTOR	1	EA	

24 GRIDDLE ASSY





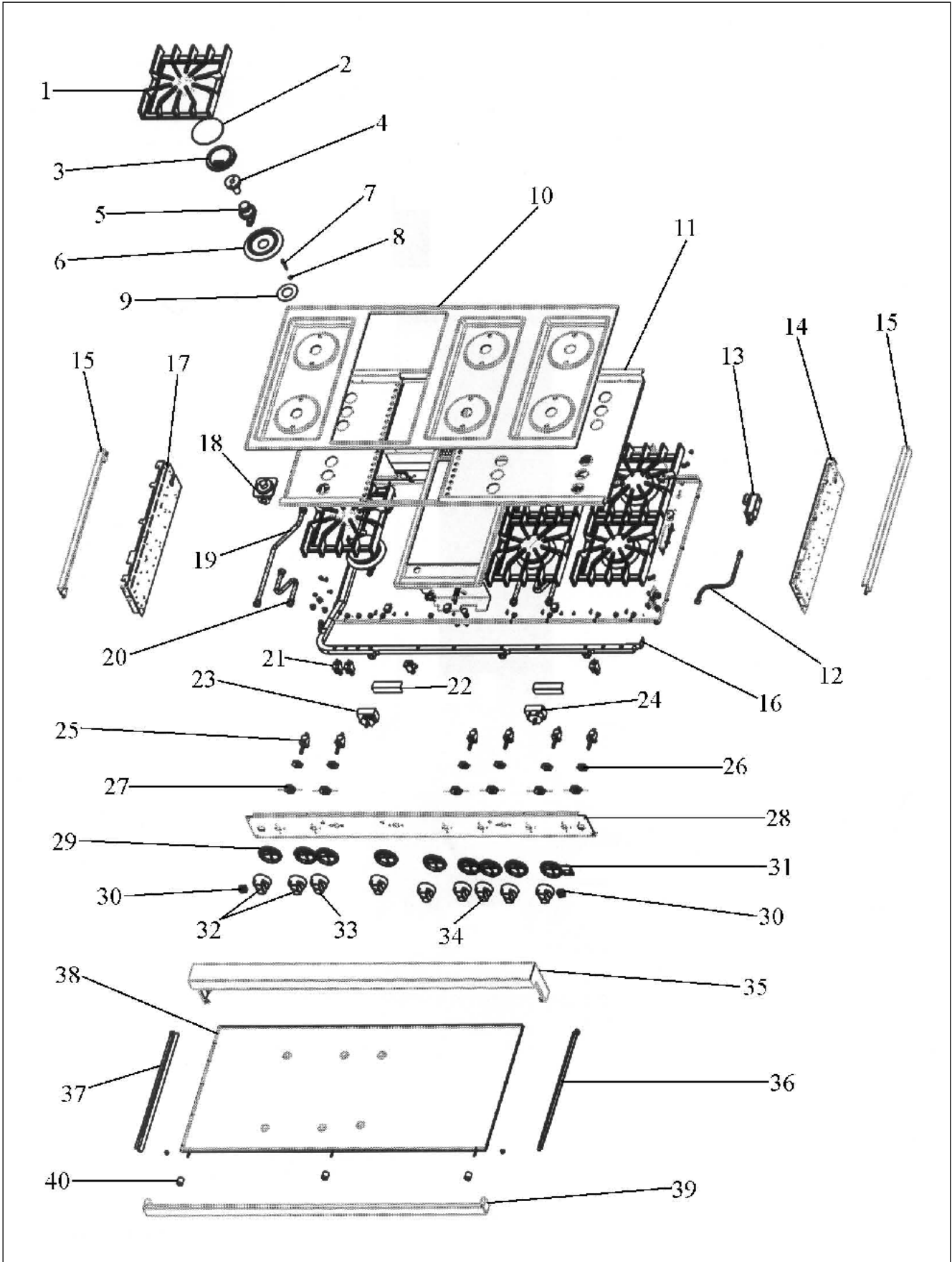
Item	Part No.	Name	Qty	Uom	NOTES
1	003227-000	24" SEALED GRIDDLE FRAME WELD ASSY	1	EA	
2	A20012051	REAR SHIELD VGIC487	1	EA	
3	PB050074	Griddle Burner	1	EA	
4	A1007861	Griddle Venturi Cover	1	EA	Not available online / Call for pricing and availability
5	PB040001	Igniter	1	EA	
6	A20011249	GRIDDLE FLUE COVER	1	EA	NO LONGER AVAILABLE, Not available online / Call for pricing and availability
7	A2007862	Sealed Griddle Box	1	EA	
8	A2009580	Griddle Burner Bracket	1	EA	
9	A2007867	Griddle Valve Bracket	1	EA	Not available online / Call for pricing and availability
10	A20010463	COMPONENT SHIELD	1	EA	NO LONGER AVAILABLE, Not available online / Call for pricing and availability
11	PB010004	SINGLE SAFETY VALVE (NAT. GRIDDLE)	1	EA	
12	PB010264	GRIDDLE THERMOSTAT	1	EA	
13	002569-000	UNIVERSAL 48" MANIFOLD	1	EA	
14	050172-000	BEZEL, KNOB	1	EA	
Not Shown	PB010209	Bezel - BR	1	EA	
15	PB010103	GRIDDLE KNOB N/S *BK*	1	EA	
Not Shown	PB010104	GRIDDLE KNOB N/S *WH*	1	EA	
16	PE050024	OVEN IND. LIGHT (LIGHT HOUSING)	1	EA	





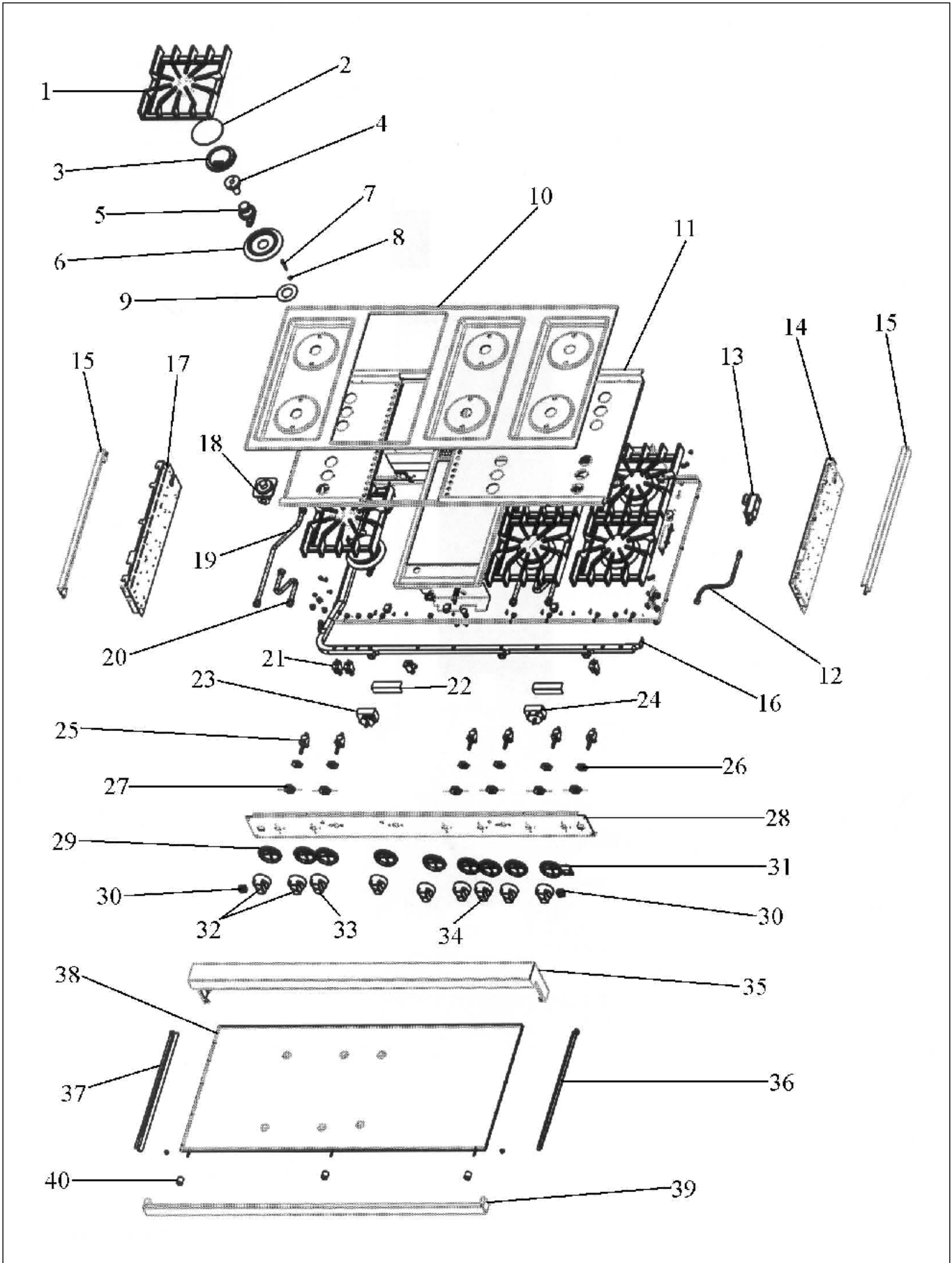
Item	Part No.	Name	Qty	Uom	NOTES
Comments for Part Num. PE050024					
haarnink@vikingrange.com on Jan 14, 2019					
please note that the indicator light is now part 043135-000 but needs the Jumper harness 051443-000. and second option there are units in the field with a 230V indicator light part number 036566-000.					
please check this for all "E" module ranges/Tops					
17	PE050023	OVEN IND. LIGHT (LENS & BEZEL)	1	EA	

BURNER BOX ASSY



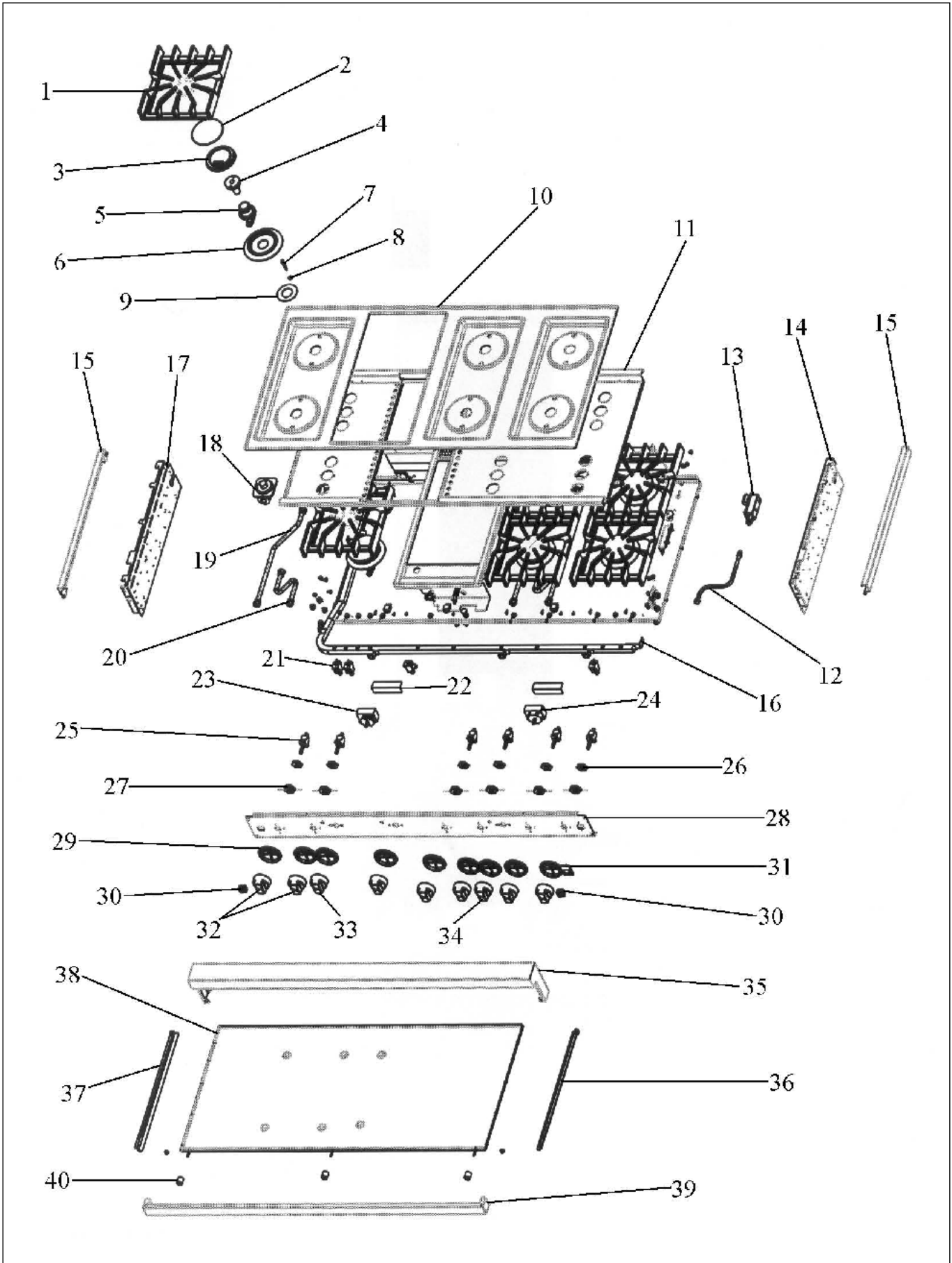


Item	Part No.	Name	Qty	Uom	NOTES
1	PA060054	Burner Grate - BK	1	EA	
Not Shown	PA060062	Burner Grate - GR	1	EA	
NI	PD040035	GROMMET-SPIDER GRATE (VGSU)	24	EA	
2	PA080083	D BURNER CAP *MATTE BLACK*	1	EA	
Not Shown	PA080086	Burner Cap - GR	1	EA	
3	PB050063	Burner Head	1	EA	
4	PA010100	Burner Venturi	1	EA	
5	PA080075	Burner Body	1	EA	
6	PB050081	BURNER BASE ASM	1	EA	
NI	PB040194	Orifice - Nat.	1	EA	
NI	PB040217	L.P. ORIFICE	1	EA	
7	PB050081	BURNER BASE ASM	1	EA	
8	ORDER IGNITER	N/A	1	EA	
9	PB050081	BURNER BASE ASM	1	EA	
10	E9109801AL	MAIN TOP - AL	1	EA	Not available online / Call for pricing and availability
Not Shown	E9109801BK	48" SEALED COOKTOP 6BG & 6BQ *BK*	1	EA	
Not Shown	E9109801BT	MAIN TOP - BT	1	EA	Not available online / Call for pricing and availability
Not Shown	E9109801CB	MAIN TOP - CB	1	EA	Not available online / Call for pricing and availability
Not Shown	E9109801EP	MAIN TOP - EP	1	EA	Not available online / Call for pricing and availability
Not Shown	E9109801FG	MAIN TOP - FG	1	EA	Not available online / Call for pricing and availability
Not Shown	E9109801GG	MAIN TOP - GG	1	EA	Not available online / Call for pricing and availability

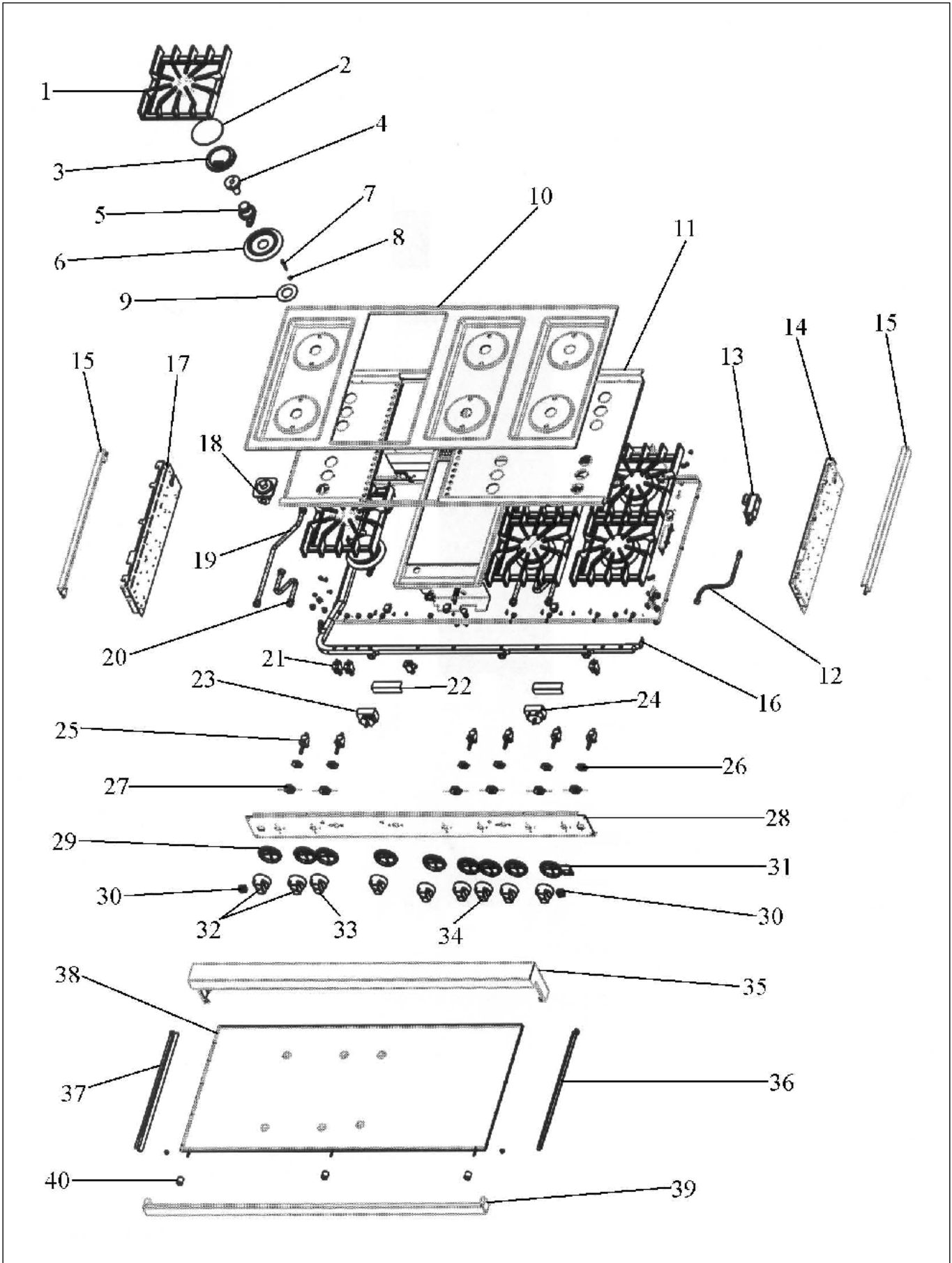




Item	Part No.	Name	Qty	Uom	NOTES
Not Shown	E9109801LE	MAIN TOP - LE	1	EA	Not available online / Call for pricing and availability
Not Shown	E9109801MJ	MAIN TOP - MJ	1	EA	Not available online / Call for pricing and availability
Not Shown	E9109801SG	48" SEALED COOKTOP 6BG & 6BQ *SG*	1	EA	NO LONGER AVAILABLE, Not available online / Call for pricing and availability
Not Shown	E9109801VB	MAIN TOP - VB	1	EA	Not available online / Call for pricing and availability
Not Shown	E9109801WH	48" SEALED COOKTOP 6BG & 6BQ *WH*	1	EA	NO LONGER AVAILABLE
Not Shown	E9109804AL	MAIN TOP - AL	1	EA	Not available online / Call for pricing and availability
Not Shown	E9109804BK	MAIN TOP (VDSC4G/4Q)	1	EA	
Not Shown	E9109804BT	MAIN TOP - BT	1	EA	Not available online / Call for pricing and availability
Not Shown	E9109804CB	MAIN TOP - CB	1	EA	Not available online / Call for pricing and availability
Not Shown	E9109804EP	MAIN TOP - EP	1	EA	Not available online / Call for pricing and availability
Not Shown	E9109804FG	MAIN TOP - FG	1	EA	Not available online / Call for pricing and availability
Not Shown	E9109804GG	MAIN TOP - GG	1	EA	Not available online / Call for pricing and availability
Not Shown	E9109804LE	MAIN TOP - LE	1	EA	Not available online / Call for pricing and availability

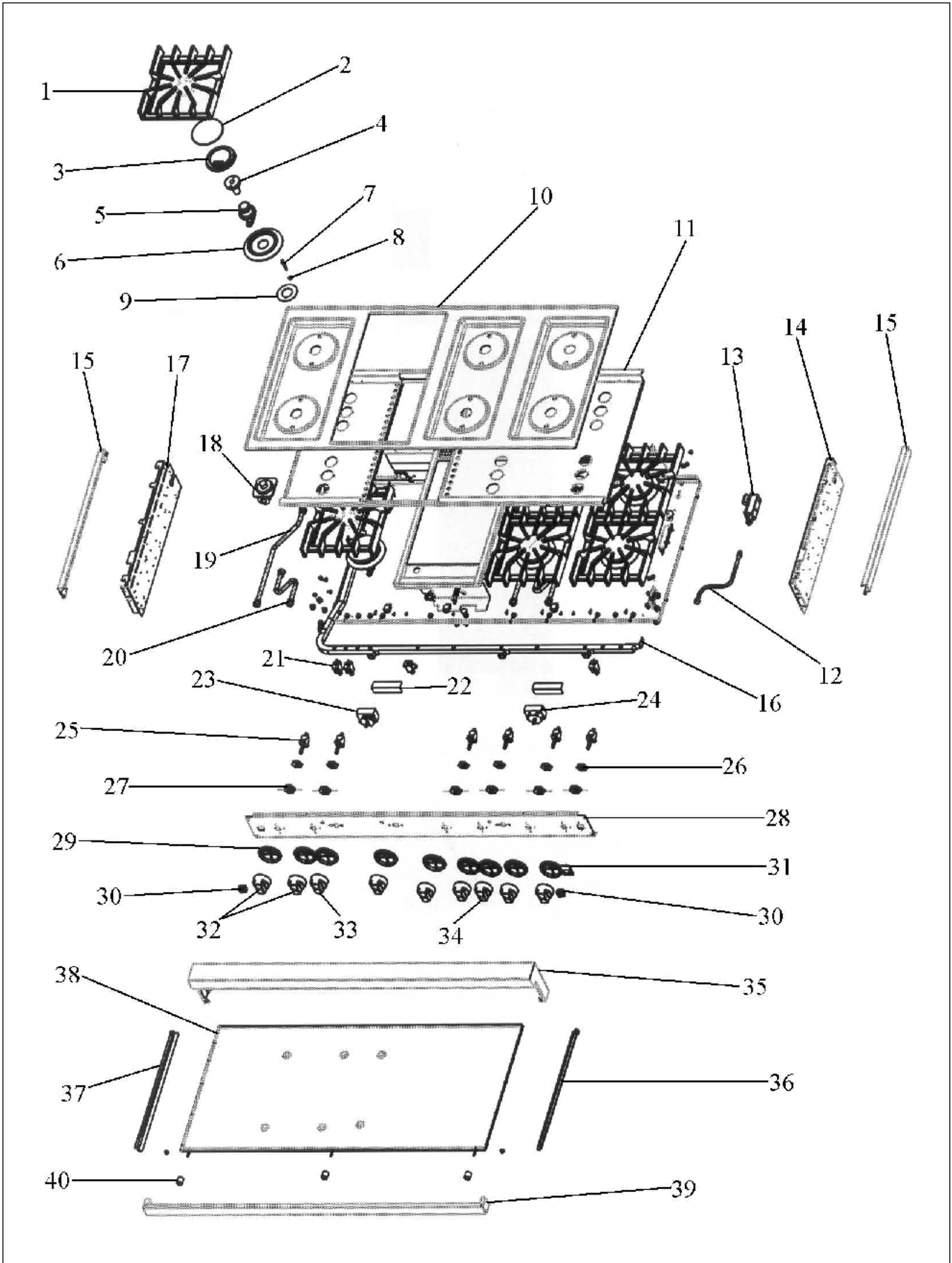


Item	Part No.	Name	Qty	Uom	NOTES
Not Shown	E9109804MJ	MAIN TOP - MJ	1	EA	Not available online / Call for pricing and availability
Not Shown	E9109804SG	MAIN TOP - SG	1	EA	Not available online / Call for pricing and availability
Not Shown	E9109804VB	MAIN TOP - VB	1	EA	Not available online / Call for pricing and availability
Not Shown	E9109804WH	MAIN TOP (VDSC4G/4Q) *WH*	1	EA	NO LONGER AVAILABLE
Not Shown	E9109803AL	MAIN TOP - 4GQ - AL	1	EA	Not available online / Call for pricing and availability
Not Shown	E9109803BK	48" SEALED COOKTOP 4BGQ *BK*	1	EA	
Not Shown	E9109803BT	MAIN TOP - 4GQ - BT	1	EA	Not available online / Call for pricing and availability
Not Shown	E9109803CB	MAIN TOP - 4GQ - CB	1	EA	Not available online / Call for pricing and availability
Not Shown	E9109803EP	MAIN TOP - 4GQ - EP	1	EA	Not available online / Call for pricing and availability
Not Shown	E9109803FG	MAIN TOP - 4GQ - FG	1	EA	Not available online / Call for pricing and availability
Not Shown	E9109803GG	MAIN TOP - 4GQ - GG	1	EA	Not available online / Call for pricing and availability
Not Shown	E9109803LE	MAIN TOP - 4GQ - LE	1	EA	Not available online / Call for pricing and availability
Not Shown	E9109803MJ	MAIN TOP - 4GQ - MJ	1	EA	Not available online / Call for pricing and availability
Not Shown	E9109803SG	MAIN TOP - 4GQ - SG	1	EA	Not available online / Call for pricing and availability

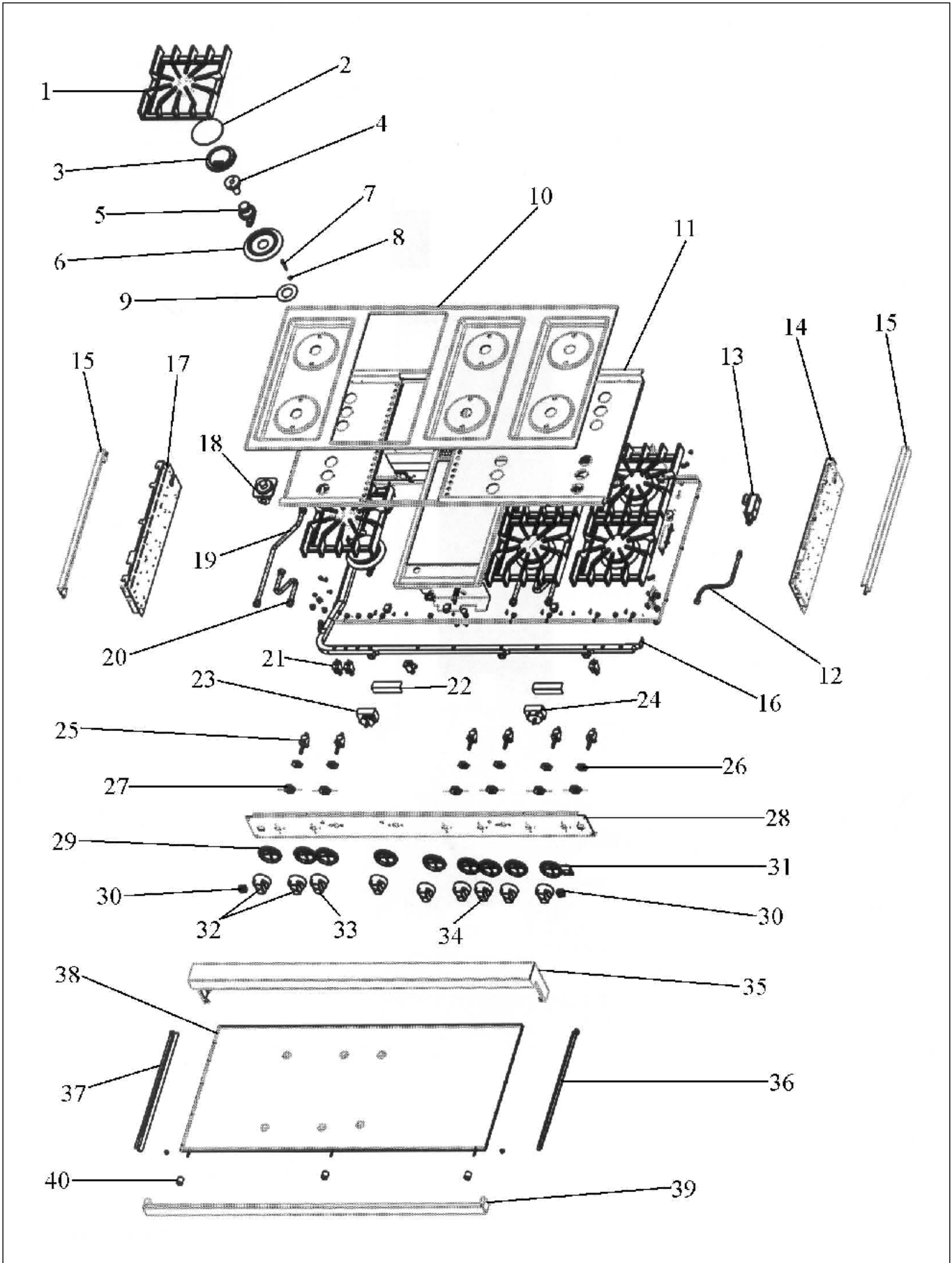




Item	Part No.	Name	Qty	Uom	NOTES
Not Shown	E9109803VB	MAIN TOP - 4GQ - VB	1	EA	Not available online / Call for pricing and availability
Not Shown	E9109803WH	48" SEALED COOKTOP 4BGQ *WH*	1	EA	NO LONGER AVAILABLE
11	A20011234	BURNER BOX SUPPORT	1	EA	Not available online / Call for pricing and availability
Not Shown	A20010184	48" SEALED BURNER SUPPORT	1	EA	
Not Shown	A20011240	48" SEALED BURNER SUPT. (4GQ)	1	EA	
12	PB020041	SHUTOFF TUBING	1	EA	
13	PB010083	SINGLE THERMAL VALVE LH (OVEN)	1	EA	
14	A2006747	Burner Box Side - RH	1	EA	
15	B2007868	IC SEALED SIDE TRIM	1	EA	
Not Shown	C9307868BR	IC SEALED SIDE TRIM *BR*	1	EA	
16	002569-000	UNIVERSAL 48" MANIFOLD	1	EA	
17	A2006748	Burner Box Side - LH	1	EA	
18	PA070003	PRESSURE REGULATOR	1	EA	
19	PB020193	16" FLEX TUBING W/CONNECTORS	1	EA	
20	PB020192	10" FLEX TUBING W/CONNECTORS	1	EA	
21	003862-000	SHUTOFF VALVE (PB030002 VALVE AND BOLT KIT)	1	EA	
22	PB070146	POLY FILM, (VDSC,VGSC)	1	EA	NOT FIELD REPLACEABLE
23	PB010035	THERMOSTAT BAKE / GRIDDLE	1	EA	
Not Shown	NOTE	(LH Oven)		EA	
24	PB010036	THERMOSTAT BAKE/BROIL	1	EA	
Not Shown	NOTE	(RH Oven)		EA	
25	G50012679	Top Burner Valve Kit	1	EA	
Not Shown	NOTE	(BEFORE 02/23/05)		EA	



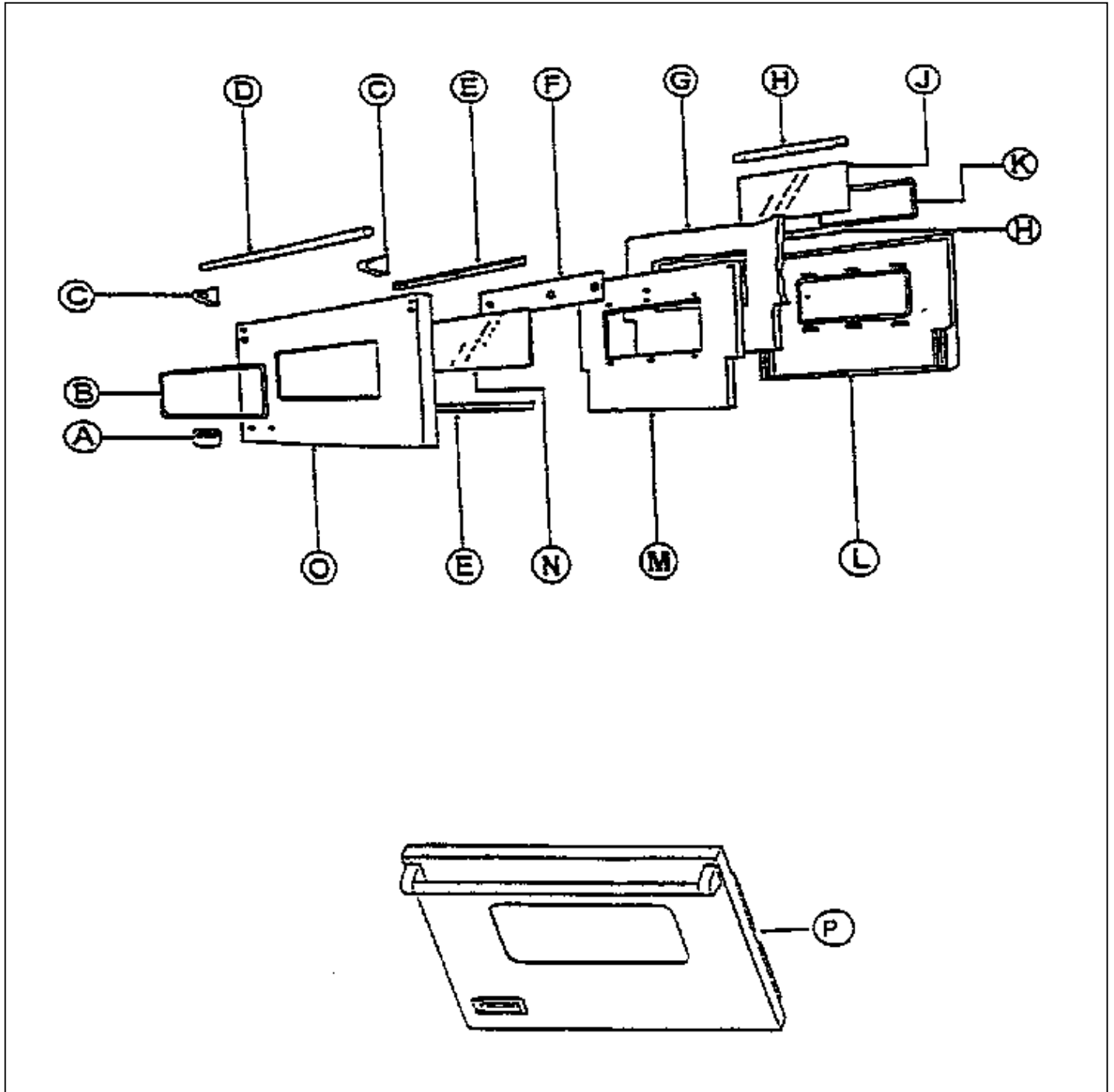
Item	Part No.	Name	Qty	Uom	NOTES
PA010158	003517-000	PA010158 VALVE AND BOLT KIT	1	EA	
Not Shown	NOTE	(AFTER 02/23/05)		EA	
26	PA020029	Switch Spacer	1	EA	
27	PA020015	Spark Ignition Switch	1	EA	
Not Shown	NOTE	(Before 2/23/05)		EA	
Not Shown	PA020045	Spark Ignition Switch	1	EA	
Not Shown	NOTE	(After 2/23/05)		EA	
28	B9202374	CTRL PAN- (VGRC485-6G) *SLK SCR*	1	EA	
Not Shown	B9202376	CTRL PAN- (VGRC485-6Q) *SLK SCR*	1	EA	
Not Shown	B9201286	CTRL PAN - VGRC485-4G *SLK SCR*	1	EA	
Not Shown	B9202373	CTRL PAN- (VGRC485-4GQ) *SLK SCR*	1	EA	
29	050172-000	BEZEL, KNOB	1	EA	
Not Shown	PB010209	Bezel - BR	1	EA	
30	PE050016	OVEN LIGHT SWITCH - *BK* (WES-GAR)	1	EA	
Not Shown	PE050017	OVEN LIGHT SWITCH - *WH* (WES-GAR)	1	EA	
31	PE010081	CONVECTION-LABEL/PLATE (CHROME)	1	EA	
Not Shown	PE010082	CONVECTION-LABEL/PLATE (*BR*)	1	EA	
32	PB010206	TOP BURNER KNOB BK	1	EA	
Not Shown	PB010207	TOP BURNER KNOB WH	1	EA	Not available online / Call for pricing and availability
33	PB010101	THERMOSTAT BAKE KNOB N/S *BK*	1	EA	
Not Shown	NOTE	(LH Oven)		EA	
Not Shown	PB010102	THERMOSTAT BAKE KNOB N/S *WH*	1	EA	NO LONGER AVAILABLE





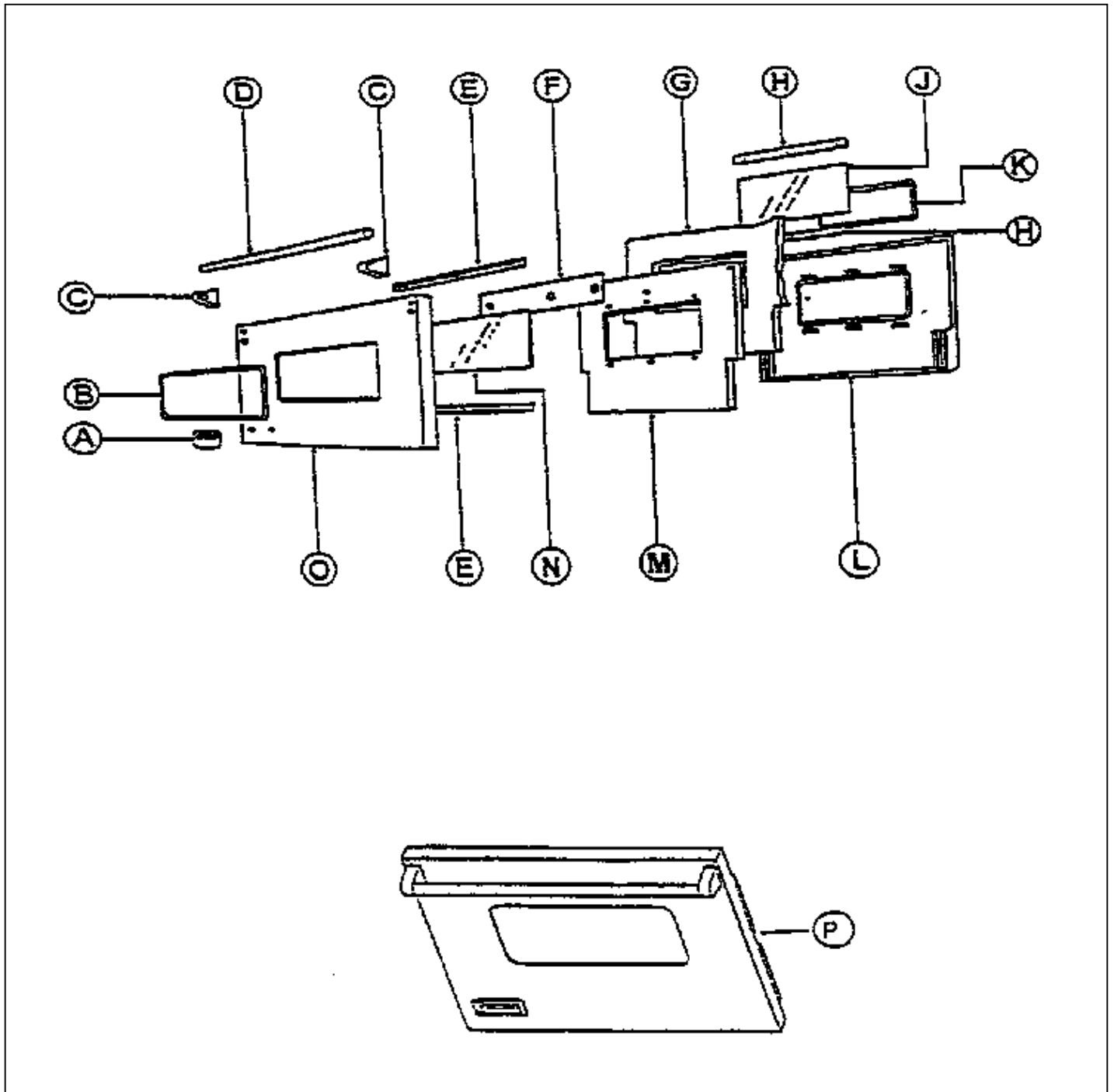
Item	Part No.	Name	Qty	Uom	NOTES
Not Shown	NOTE	(LH Oven)		EA	
34	PB010099	T/STAT B/B KNOB BK REPL PB010039BK*	1	EA	
<p>Comments for Part Num. PB010099</p> <p>imardr@att.net on Nov 8, 2015 need to list the white knob for a VGIC3054BWH Reply by bradleysapplianceservice@shaw.ca on Sep 30, 2016 The White Knobs are NLA. Only Black are available. bradleysapplianceservice@shaw.ca on Sep 30, 2016 THE WHITE KNOBS ARE NLA. ONLY BLACK KNOBS ARE AVAILABLE.</p>					
Not Shown	NOTE	(RH Oven)		EA	
Not Shown	PB010100	THERMOSTAT BAKE/BROIL KNOB *WH* N/S	1	EA	
Not Shown	NOTE	(RH Oven)		EA	
35	G3009843	SEALED LANDING LEDGE ASSY 48"	1	EA	
36	PK000010	RUNNER, DRIP TRAY - RH (VGRT)	1	EA	
37	PK000009	Drip Tray Guide - LH	1	EA	
38	G3009715	VDSC485 DRIP TRAY ASSY, NLA	1	EA	
39	G30010697	DRIP TRAY HANDLE ASSY 48"	1	EA	
Not Shown	G93011461PVD	DRIP TRAY HANDLE ASSY 48" PVD - NLA	1	EA	
40	PD040028	BUSHING(.194ID/.750OD/.750L ONG)	1	EA	
NI	G50013873	VGIC487-6G BURNER SUPPORT SERVICE KIT	1	EA	Not available online / Call for pricing and availability
NI	G50013874	VGIC487-6Q BURNER SUPPORT SERVICE KIT	1	EA	NO LONGER AVAILABLE
NI	G50013875	VGIC487-4GQ BURNER SUPPORT SERVICE KIT	1	EA	
NI	G50013876	VGIC487-4G BURNER SUPPORT SERVICE KIT	1	EA	
NI	G50013877	VGIC487-4Q BURNER SUPPORT SERVICE KIT	1	EA	NO LONGER AVAILABLE

LH DOOR ASSY



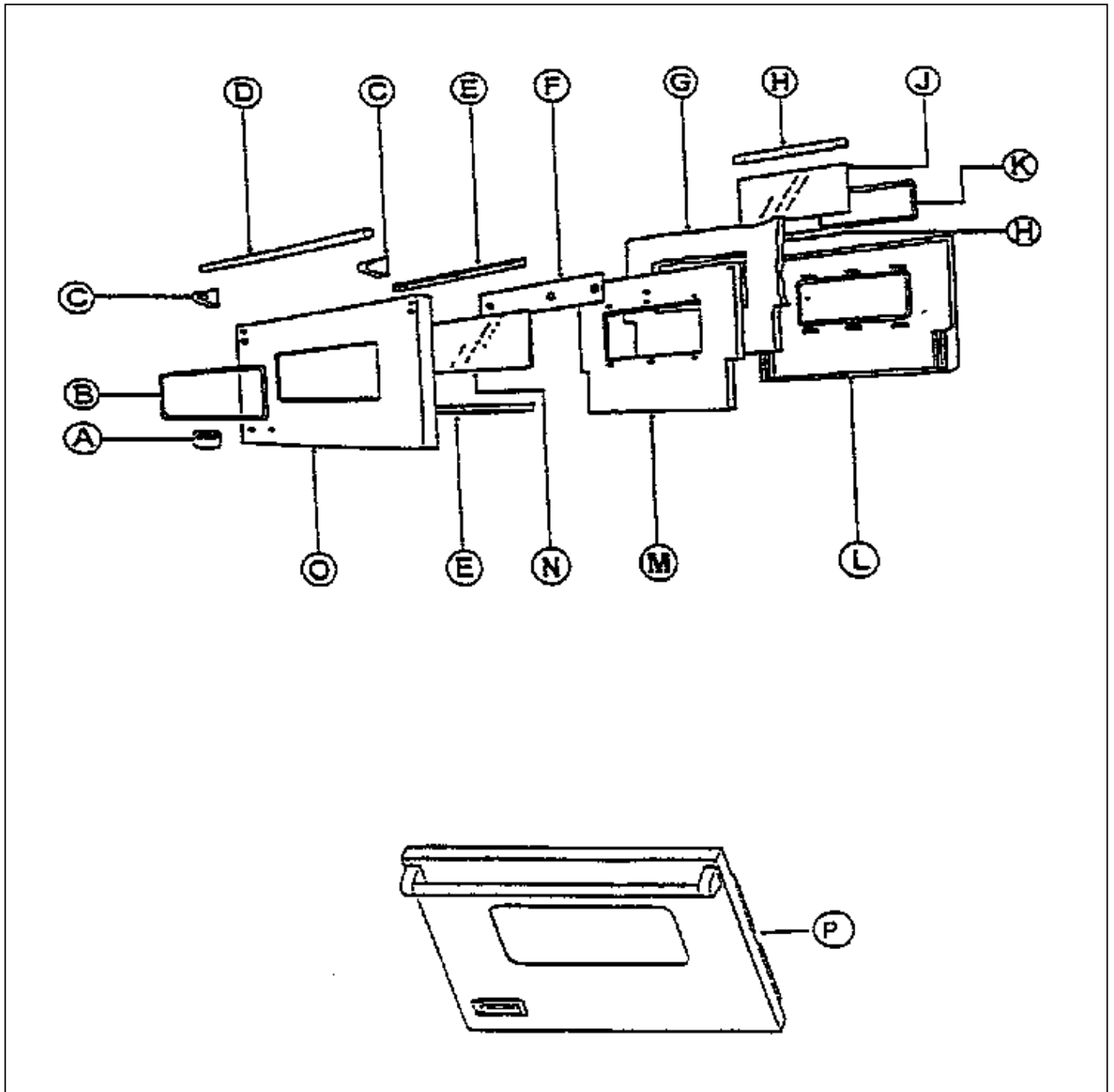


Item	Part No.	Name	Qty	Uom	NOTES
A	PE010030	LOGO	1	EA	
Not Shown	PE010031	LOGO 6" (VGRC) *BK/WH*	1	EA	NO LONGER AVAILABLE
Not Shown	PE010068	LOGO 6" (VGRC) BK/BR	1	EA	
Not Shown	PE010076	LOGO 6" (VGRC) *BR/WH*	1	EA	NO LONGER AVAILABLE
NI	PD030006	CAPPED WASHER PAL NUT	1	EA	
B	PE060011	J-MOLD - 1" RADIUS LH VGRC48	1	EA	
Not Shown	PE060021	J-MOLD (VGRC48 LH DOOR) *BR*	1	EA	NO LONGER AVAILABLE
C	000268-000	HANDLE ENDCAP	1	EA	
Not Shown	PE030001PVD	END CAP DOOR HANDLE *BR	1	EA	
NI	PD010019	BLT-1/4-20X3/8"HEX WASHER SERATED	1	EA	
D	PE030008	DOOR HANDLE - LH 48VGRC	1	EA	
Not Shown	PE030014PVD	DOOR HANDLE - LH - (48") PVD	1	EA	
E	A2001622	OUTER GLASS RETAINER LH (VGRC48)	1	EA	NO LONGER AVAILABLE, Not available online / Call for pricing and availability
F	A1001513	DOOR HEAT BAFFLE LH (VGRC48)	1	EA	
G	PB070034	INSULATION-TRS-10 1" X 20" X 77' ROLL	1	EA	
H	A2001621	INNER GLASS RETAINER LH (VGRC48)	1	EA	NO LONGER AVAILABLE, Not available online / Call for pricing and availability
J	PE060012	GLASS-HIGH TEMPERATURE LH VGRC48	1	EA	
K	PB070014	DOOR GLASS SEAL STRIP - WINDOW DRS.	1	EA	
L	G9103409	INSIDE DOOR LINER (VGIS48LH)	1	EA	
M	A2001961	DR. INSUL. RETAINER LH W/W (VGSS48)	1	EA	NO LONGER AVAILABLE, Not available online / Call for pricing and availability



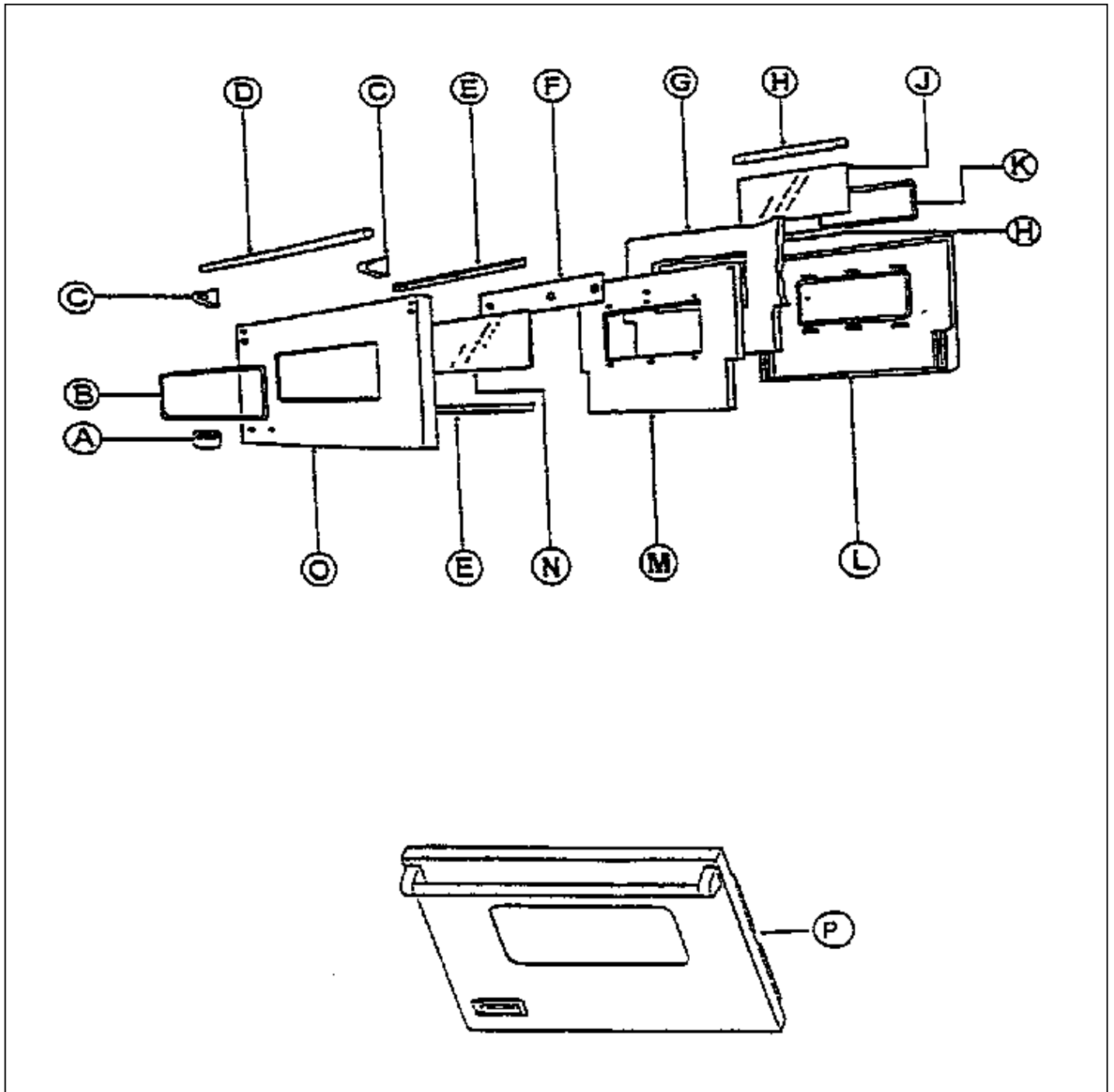


Item	Part No.	Name	Qty	Uom	NOTES
N	PE060013	GLASS-TEMPERED, SCREENED LH VGRC48	1	EA	
O	B2009175	OUTSIDE DOOR PANEL 48" LH SS	1	EA	
Not Shown	C9009176AL	OUTSIDE DOOR PANEL 48" LH *AL*	1	EA	NO LONGER AVAILABLE, Not available online / Call for pricing and availability
Not Shown	C9009176BK	OUTSIDE DOOR PANEL 48" LH *BK*	1	EA	NO LONGER AVAILABLE
Not Shown	C9009176BT	OUTSIDE DOOR PANEL 48" LH *BT*	1	EA	NO LONGER AVAILABLE, Not available online / Call for pricing and availability
Not Shown	C9009176BU	OUTSIDE DOOR PANEL 48" LH *BU*	1	EA	NO LONGER AVAILABLE
Not Shown	C9009176CB	OUTSIDE DOOR PANEL 48" LH *CB*	1	EA	NO LONGER AVAILABLE, Not available online / Call for pricing and availability
Not Shown	C9009176EP	OUTSIDE DOOR PANEL 48" LH *EP*	1	EA	NO LONGER AVAILABLE, Not available online / Call for pricing and availability
Not Shown	C9009176FG	OUTSIDE DOOR PANEL 48" LH *FG*	1	EA	NO LONGER AVAILABLE, Not available online / Call for pricing and availability
Not Shown	C9009176GG	OUTSIDE DOOR PANEL 48" LH *GG*	1	EA	NO LONGER AVAILABLE, Not available online / Call for pricing and availability
Not Shown	C9009176LE	OUTSIDE DOOR PANEL 48" LH *LE*	1	EA	NO LONGER AVAILABLE
Not Shown	C9009176MJ	OUTSIDE DOOR PANEL 48" LH *MJ*	1	EA	NO LONGER AVAILABLE, Not available online / Call for pricing and availability
Not Shown	C9009176SG	OUTSIDE DOOR PANEL 48" LH *SG*	1	EA	NO LONGER AVAILABLE, Not available online / Call for pricing and availability

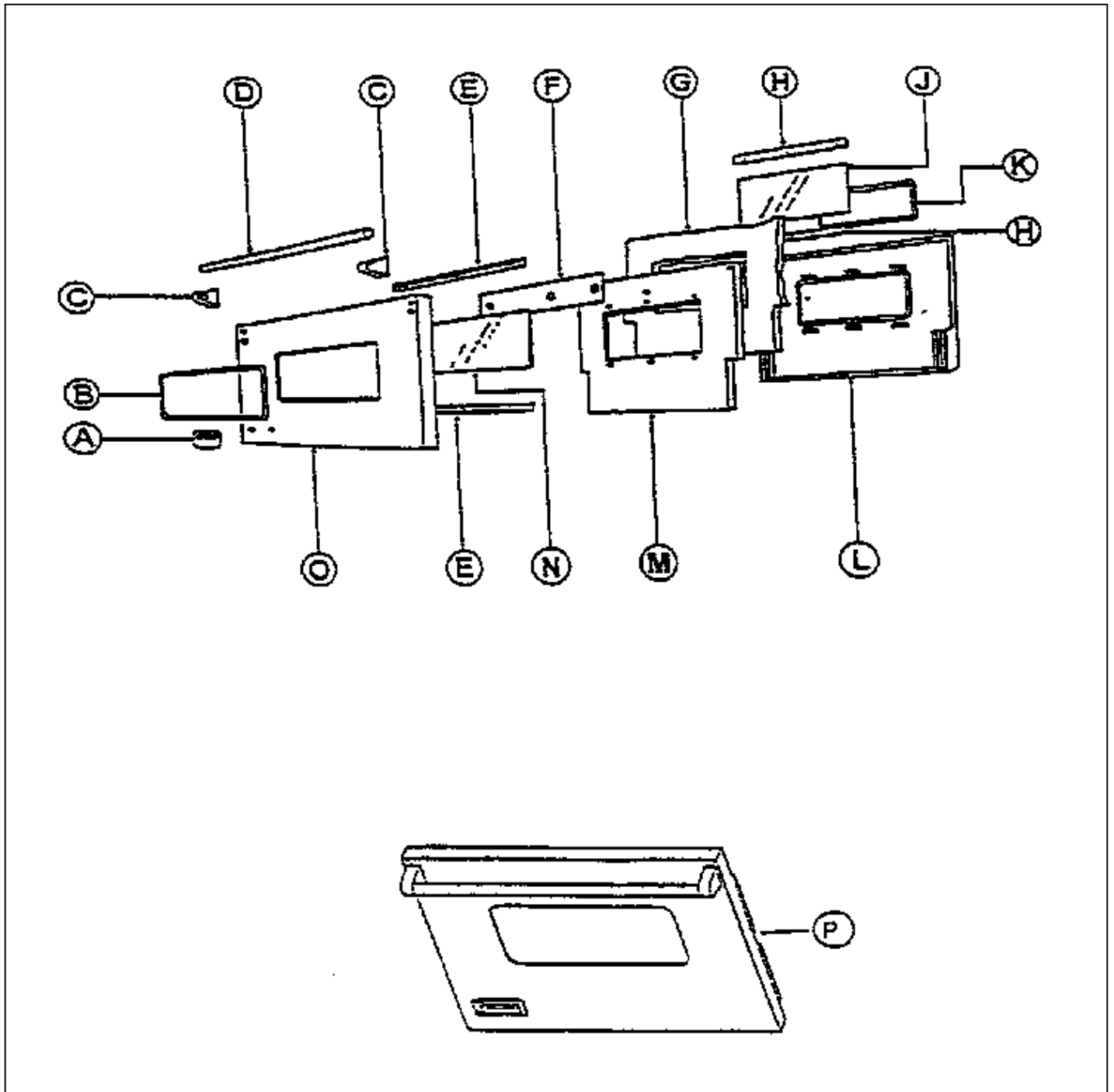




Item	Part No.	Name	Qty	Uom	NOTES
Not Shown	C9009176VB	OUTSIDE DOOR PANEL 48" LH *VB*	1	EA	NO LONGER AVAILABLE, Not available online / Call for pricing and availability
Not Shown	C9009176WH	OUTSIDE DOOR PANEL 48" LH *WH*	1	EA	NO LONGER AVAILABLE
P	G3209186AL	DOOR ASSY 48" LH *AL*	1	EA	NO LONGER AVAILABLE, Not available online / Call for pricing and availability
Not Shown	G3209186ALBR	DOOR ASSY 48" LH *ALBR*	1	EA	NO LONGER AVAILABLE, Not available online / Call for pricing and availability
Not Shown	G3209186BK	DOOR ASSY 48" LH *BK*	1	EA	NO LONGER AVAILABLE, Not available online / Call for pricing and availability
Not Shown	G3209186BKBR	DOOR ASSY 48" LH *BKBR*	1	EA	NO LONGER AVAILABLE, Not available online / Call for pricing and availability
Not Shown	G3209186BT	DOOR ASSY 48" LH *BT*	1	EA	NO LONGER AVAILABLE, Not available online / Call for pricing and availability
Not Shown	G3209186BTBR	DOOR ASSY 48" LH *BTBR*	1	EA	NO LONGER AVAILABLE, Not available online / Call for pricing and availability
Not Shown	G3209186BU	DOOR ASSY 48" LH *BU*	1	EA	NO LONGER AVAILABLE, Not available online / Call for pricing and availability
Not Shown	G3209186BUBR	DOOR ASSY 48" LH *BUBR*	1	EA	NO LONGER AVAILABLE, Not available online / Call for pricing and availability
Not Shown	G3209186CB	DOOR ASSY 48" LH *CB*	1	EA	NO LONGER AVAILABLE, Not available online / Call for pricing and availability

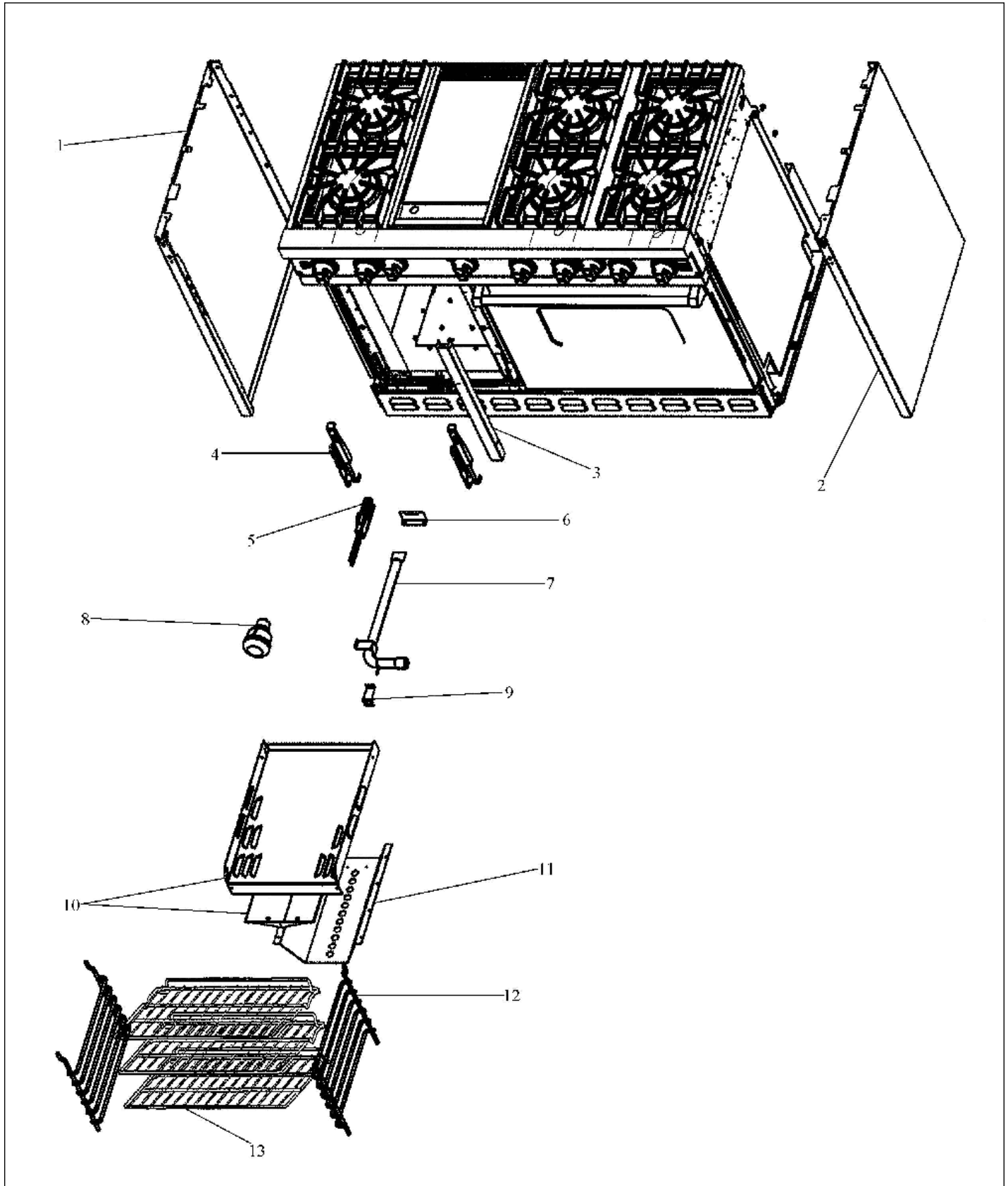


Item	Part No.	Name	Qty	Uom	NOTES
Not Shown	G3209186CBBR	DOOR ASSY 48" LH *CBBR*	1	EA	NO LONGER AVAILABLE, Not available online / Call for pricing and availability
Not Shown	G3209186EP	DOOR ASSY 48" LH *EP*	1	EA	NO LONGER AVAILABLE, Not available online / Call for pricing and availability
Not Shown	G3209186EPBR	DOOR ASSY 48" LH *EPBR*	1	EA	NO LONGER AVAILABLE, Not available online / Call for pricing and availability
Not Shown	G3209186FG	DOOR ASSY 48" LH *FG*	1	EA	NO LONGER AVAILABLE, Not available online / Call for pricing and availability
Not Shown	G3209186FGBR	DOOR ASSY 48" LH *FGBR*	1	EA	NO LONGER AVAILABLE, Not available online / Call for pricing and availability
Not Shown	G3209186GG	DOOR ASSY 48" LH *GG*	1	EA	NO LONGER AVAILABLE, Not available online / Call for pricing and availability
Not Shown	G3209186GGBR	DOOR ASSY 48" LH *GGBR*	1	EA	NO LONGER AVAILABLE, Not available online / Call for pricing and availability
Not Shown	G3209186LE	DOOR ASSY 48" LH *LE*	1	EA	NO LONGER AVAILABLE, Not available online / Call for pricing and availability
Not Shown	G3209186LEBR	DOOR ASSY 48" LH *LEBR*	1	EA	NO LONGER AVAILABLE, Not available online / Call for pricing and availability
Not Shown	G3209186MJ	DOOR ASSY 48" LH *MJ*	1	EA	NO LONGER AVAILABLE, Not available online / Call for pricing and availability
Not Shown	G3209186MJBR	DOOR ASSY 48" LH *MJBR*	1	EA	NO LONGER AVAILABLE, Not available online / Call for pricing and availability

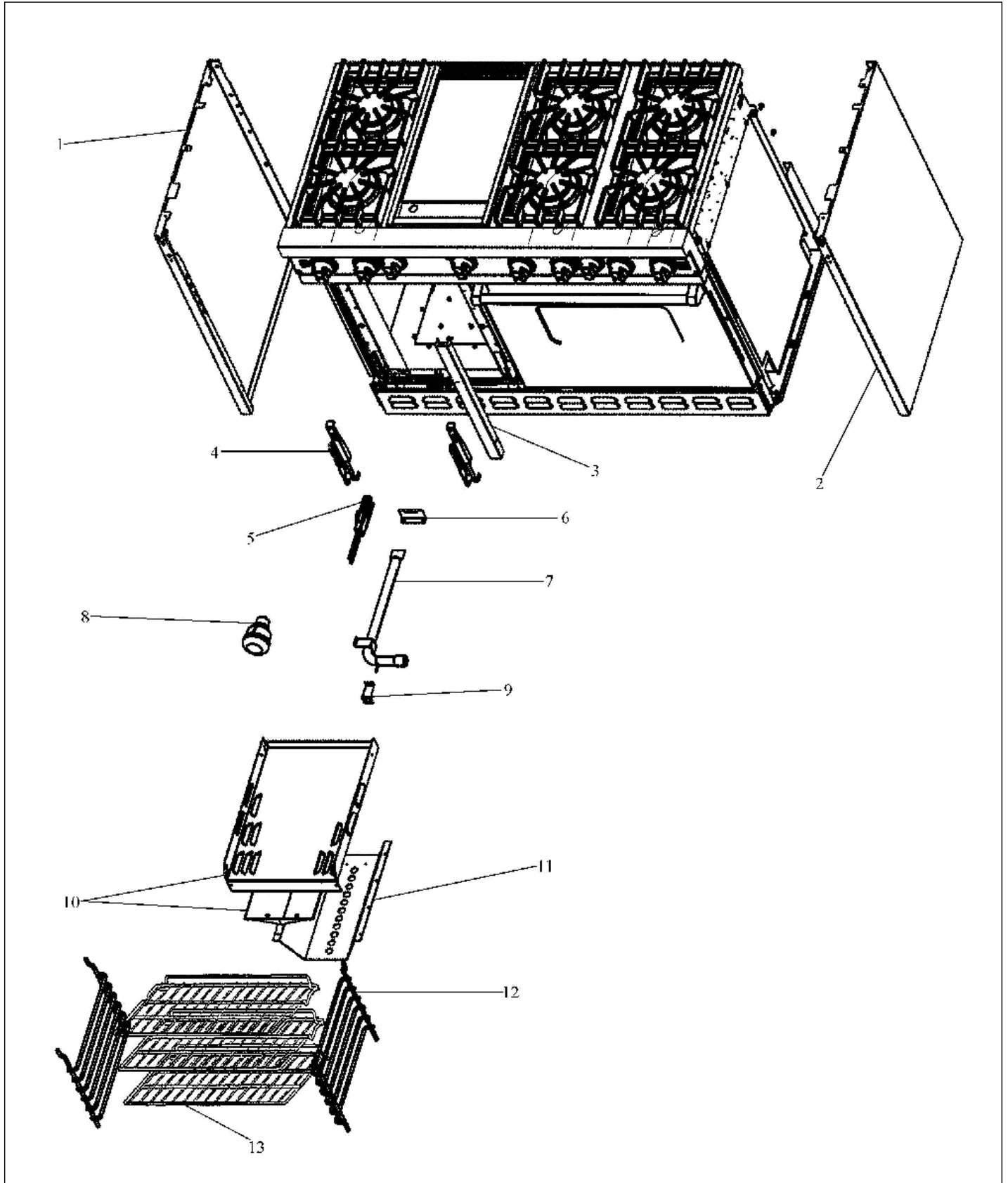


Item	Part No.	Name	Qty	Uom	NOTES
Not Shown	G3209186SG	DOOR ASSY 48" LH *SG*	1	EA	NO LONGER AVAILABLE, Not available online / Call for pricing and availability
Not Shown	G3209186SGBR	DOOR ASSY 48" LH *SGBR*	1	EA	NO LONGER AVAILABLE, Not available online / Call for pricing and availability
Not Shown	G3209185SS	DOOR ASSY 48" LH *SS*	1	EA	Not available online / Call for pricing and availability
Not Shown	G3209185SSBR	DOOR ASSY 48" LH *SSBR*	1	EA	NO LONGER AVAILABLE, Not available online / Call for pricing and availability
Not Shown	G3209186VB	DOOR ASSY 48" LH *VB*	1	EA	NO LONGER AVAILABLE, Not available online / Call for pricing and availability
Not Shown	G3209186VBBR	DOOR ASSY 48" LH *VBBR*	1	EA	NO LONGER AVAILABLE, Not available online / Call for pricing and availability
Not Shown	G3209186WH	DOOR ASSY 48" LH *WH*	1	EA	NO LONGER AVAILABLE, Not available online / Call for pricing and availability
Not Shown	G3209186WHBR	DOOR ASSY 48" LH *WHBR*	1	EA	NO LONGER AVAILABLE, Not available online / Call for pricing and availability
NI	PD020032	SRW-8(A)X3/8"PH.WFR HD 7/16DIA*NICL	1	EA	

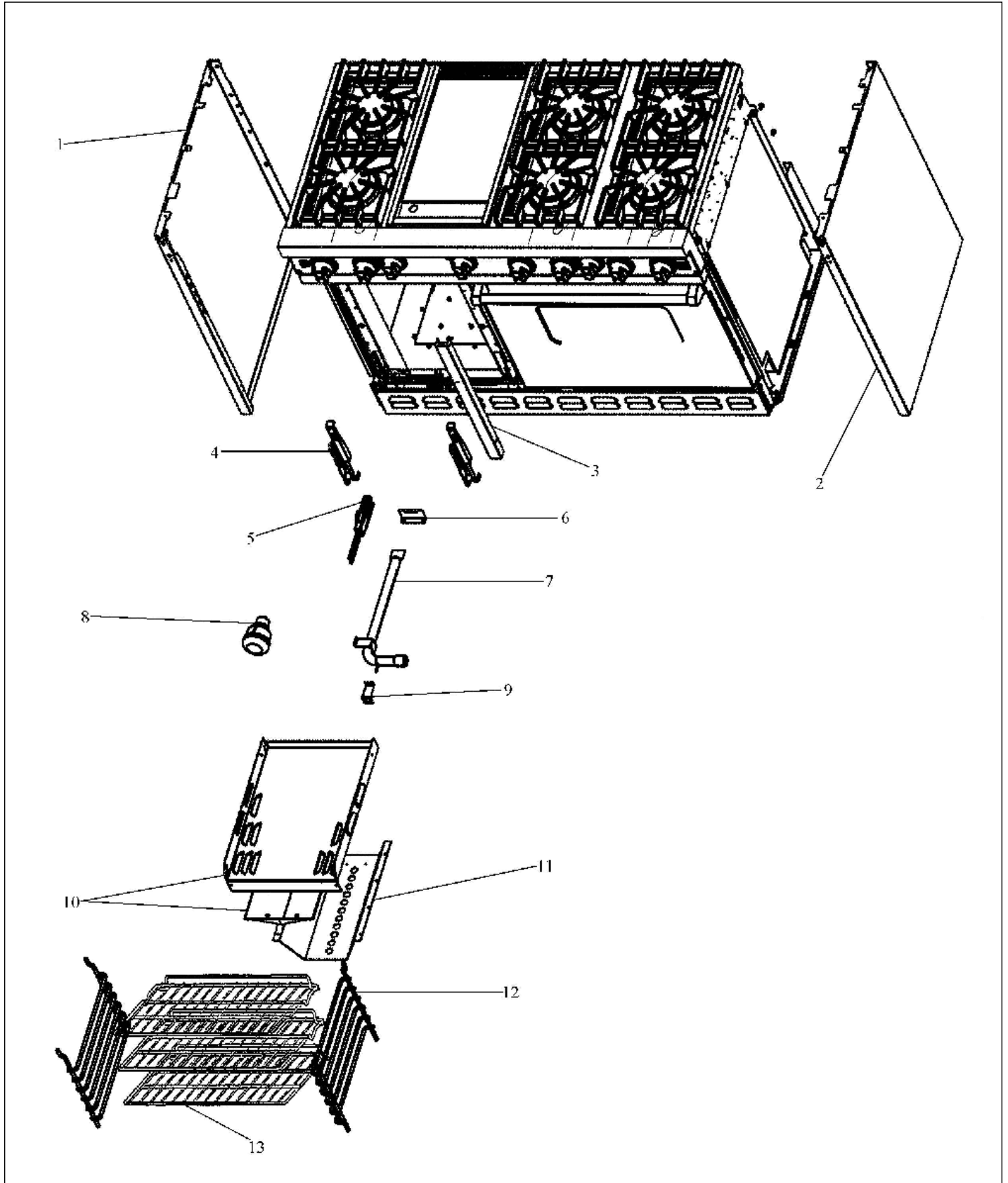
LH OVEN ASSY



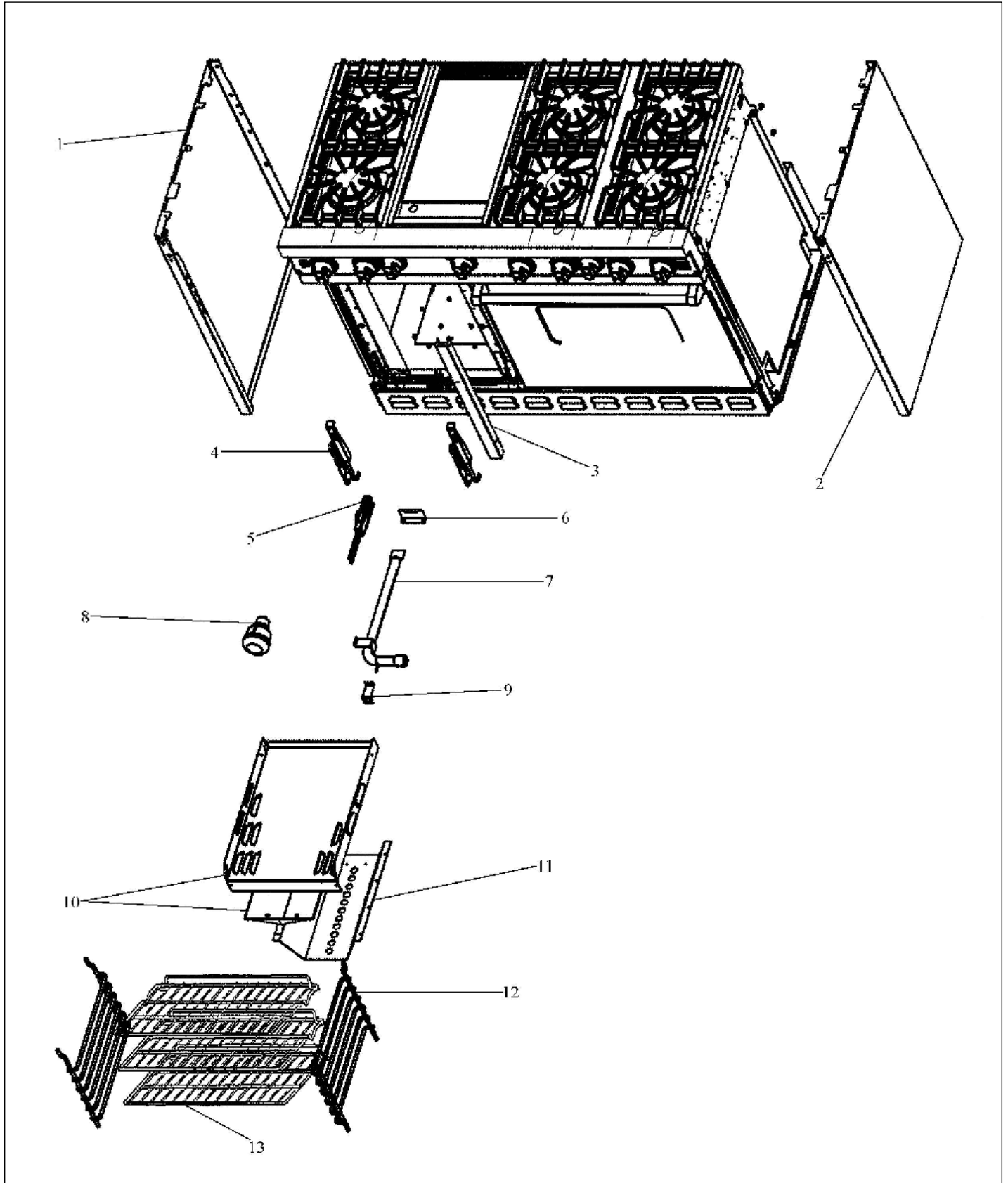
Item	Part No.	Name	Qty	Uom	NOTES
1	B2007870	IC SEALED LH SIDE PANEL	1	EA	
Not Shown	C9007870AL	IC SEALED LH SIDE PANEL *AL*	1	EA	NO LONGER AVAILABLE, Not available online / Call for pricing and availability
Not Shown	C9007870BK	IC SEALED LH SIDE PANEL *BK*	1	EA	NO LONGER AVAILABLE
Not Shown	C9007870BT	IC SEALED LH SIDE PANEL *BT*	1	EA	NO LONGER AVAILABLE, Not available online / Call for pricing and availability
Not Shown	C9007870BU	IC SEALED LH SIDE PANEL *BU*	1	EA	NO LONGER AVAILABLE
Not Shown	C9007870CB	IC SEALED LH SIDE PANEL *CB*	1	EA	NO LONGER AVAILABLE
Not Shown	C9007870EP	IC SEALED LH SIDE PANEL *EP*	1	EA	NO LONGER AVAILABLE, Not available online / Call for pricing and availability
Not Shown	C9007870FG	IC SEALED LH SIDE PANEL *FG*	1	EA	NO LONGER AVAILABLE, Not available online / Call for pricing and availability
Not Shown	C9007870GG	IC SEALED LH SIDE PANEL *GG*	1	EA	NO LONGER AVAILABLE, Not available online / Call for pricing and availability
Not Shown	C9007870LE	IC SEALED LH SIDE PANEL *LE*	1	EA	NO LONGER AVAILABLE, Not available online / Call for pricing and availability
Not Shown	C9007870MJ	IC SEALED LH SIDE PANEL *MJ*	1	EA	NO LONGER AVAILABLE, Not available online / Call for pricing and availability
Not Shown	C9007870SG	IC SEALED LH SIDE PANEL *SG*	1	EA	NO LONGER AVAILABLE
Not Shown	C9007870VB	IC SEALED LH SIDE PANEL *VB*	1	EA	NO LONGER AVAILABLE, Not available online / Call for pricing and availability
Not Shown	C9007870WH	IC SEALED LH SIDE PANEL *WH*	1	EA	NO LONGER AVAILABLE



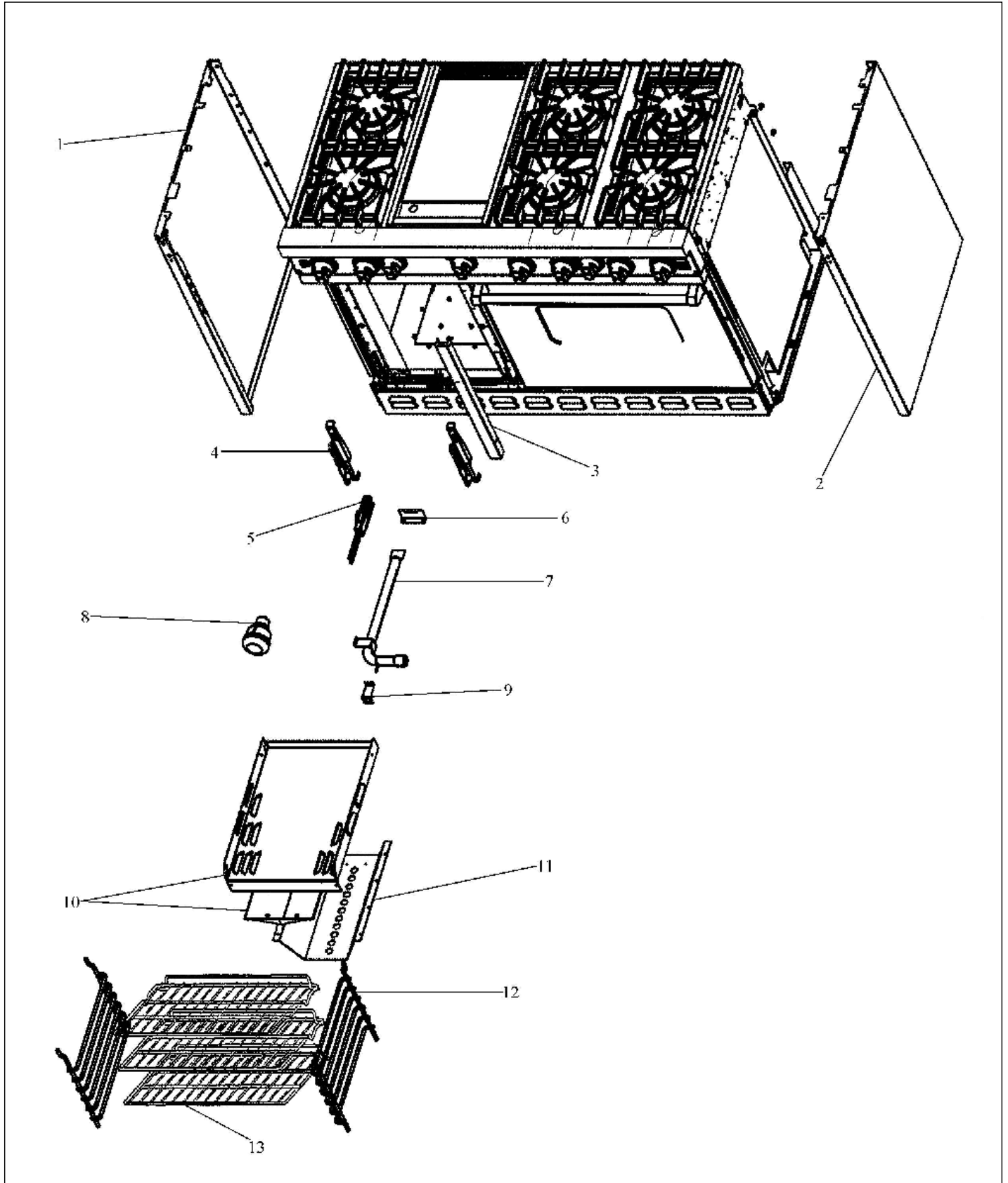
Item	Part No.	Name	Qty	Uom	NOTES
2	B2007869	IC SEALED RH SIDE PANEL	1	EA	
Not Shown	C9007869AL	IC SEALED RH SIDE PANEL *AL*	1	EA	NO LONGER AVAILABLE, Not available online / Call for pricing and availability
Not Shown	C9007869BK	IC SEALED RH SIDE PANEL *BK*	1	EA	NO LONGER AVAILABLE
Not Shown	C9007869BT	IC SEALED RH SIDE PANEL *BT*	1	EA	NO LONGER AVAILABLE
Not Shown	C9007869BU	SEALED RH SIDE PANEL *BU*	1	EA	NO LONGER AVAILABLE
Not Shown	C9007869CB	IC SEALED RH SIDE PANEL *CB*	1	EA	NO LONGER AVAILABLE
Not Shown	C9007869EP	IC SEALED RH SIDE PANEL *EP*	1	EA	NO LONGER AVAILABLE
Not Shown	C9007869FG	IC SEALED RH SIDE PANEL *FG*	1	EA	NO LONGER AVAILABLE, Not available online / Call for pricing and availability
Not Shown	C9007869GG	IC SEALED RH SIDE PANEL *GG*	1	EA	NO LONGER AVAILABLE, Not available online / Call for pricing and availability
Not Shown	C9007869LE	IC SEALED RH SIDE PANEL *LE*	1	EA	NO LONGER AVAILABLE, Not available online / Call for pricing and availability
Not Shown	C9007869MJ	IC SEALED RH SIDE PANEL *MJ*	1	EA	NO LONGER AVAILABLE, Not available online / Call for pricing and availability
Not Shown	C9007869SG	IC SEALED RH SIDE PANEL *SG*	1	EA	NO LONGER AVAILABLE
Not Shown	C9007869VB	IC SEALED RH SIDE PANEL *VB*	1	EA	NO LONGER AVAILABLE, Not available online / Call for pricing and availability
Not Shown	C9007869WH	IC SEALED RH SIDE PANEL *WH*	1	EA	Not available online / Call for pricing and availability
3	B2001974	CENTER TRIM (VGSS480)	1	EA	
Not Shown	NOTE	(BEFORE 06/27/05)		EA	



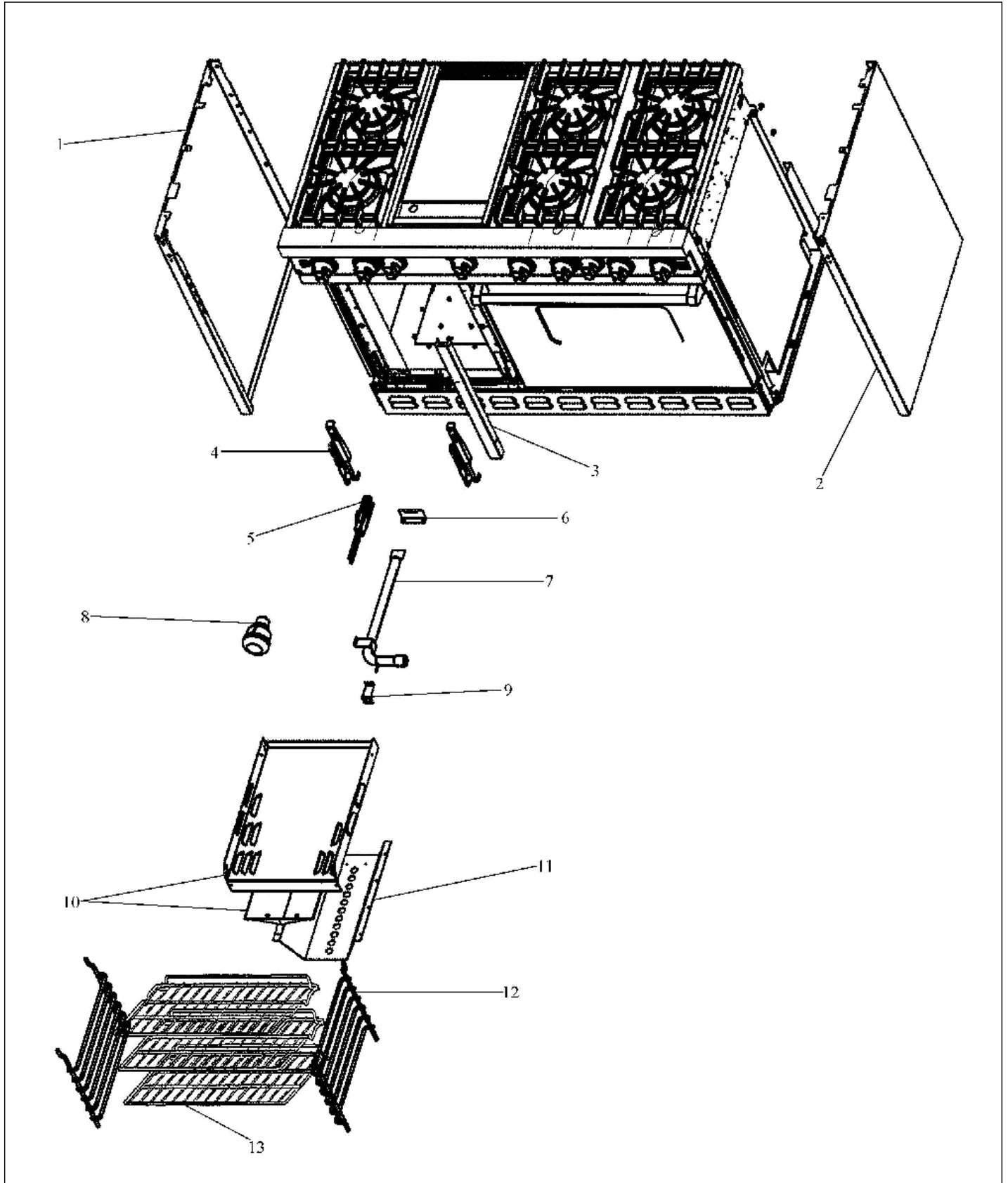
Item	Part No.	Name	Qty	Uom	NOTES
Not Shown	C9001974AL	CENTER TRIM *AL* (VGSS480)	1	EA	NO LONGER AVAILABLE, Not available online / Call for pricing and availability
Not Shown	NOTE	(BEFORE 06/27/05)		EA	
Not Shown	C9001974BK	CENTER TRIM *BK* (VGSS480)	1	EA	
Not Shown	NOTE	(BEFORE 06/27/05)		EA	
Not Shown	C9001974BT	CENTER TRIM *BT* (VGSS480)	1	EA	NO LONGER AVAILABLE, Not available online / Call for pricing and availability
Not Shown	NOTE	(BEFORE 06/27/05)		EA	
Not Shown	C9001974BU	CENTER TRIM *BU* (VGIC48)	1	EA	NO LONGER AVAILABLE, Not available online / Call for pricing and availability
Not Shown	NOTE	(BEFORE 06/27/05)		EA	
Not Shown	C9001974CB	CENTER TRIM *CB* (VGSS480)	1	EA	NO LONGER AVAILABLE, Not available online / Call for pricing and availability
Not Shown	NOTE	(BEFORE 06/27/05)		EA	
Not Shown	C9001974EP	CENTER TRIM *EP* (VGSS480)	1	EA	NO LONGER AVAILABLE, Not available online / Call for pricing and availability
Not Shown	NOTE	(BEFORE 06/27/05)		EA	
Not Shown	C9001974FG	CENTER TRIM *FG* (VGIC48)	1	EA	NO LONGER AVAILABLE, Not available online / Call for pricing and availability
Not Shown	NOTE	(BEFORE 06/27/05)		EA	
Not Shown	C9001974GG	CENTER TRIM *GG* (VGIC48)	1	EA	NO LONGER AVAILABLE, Not available online / Call for pricing and availability



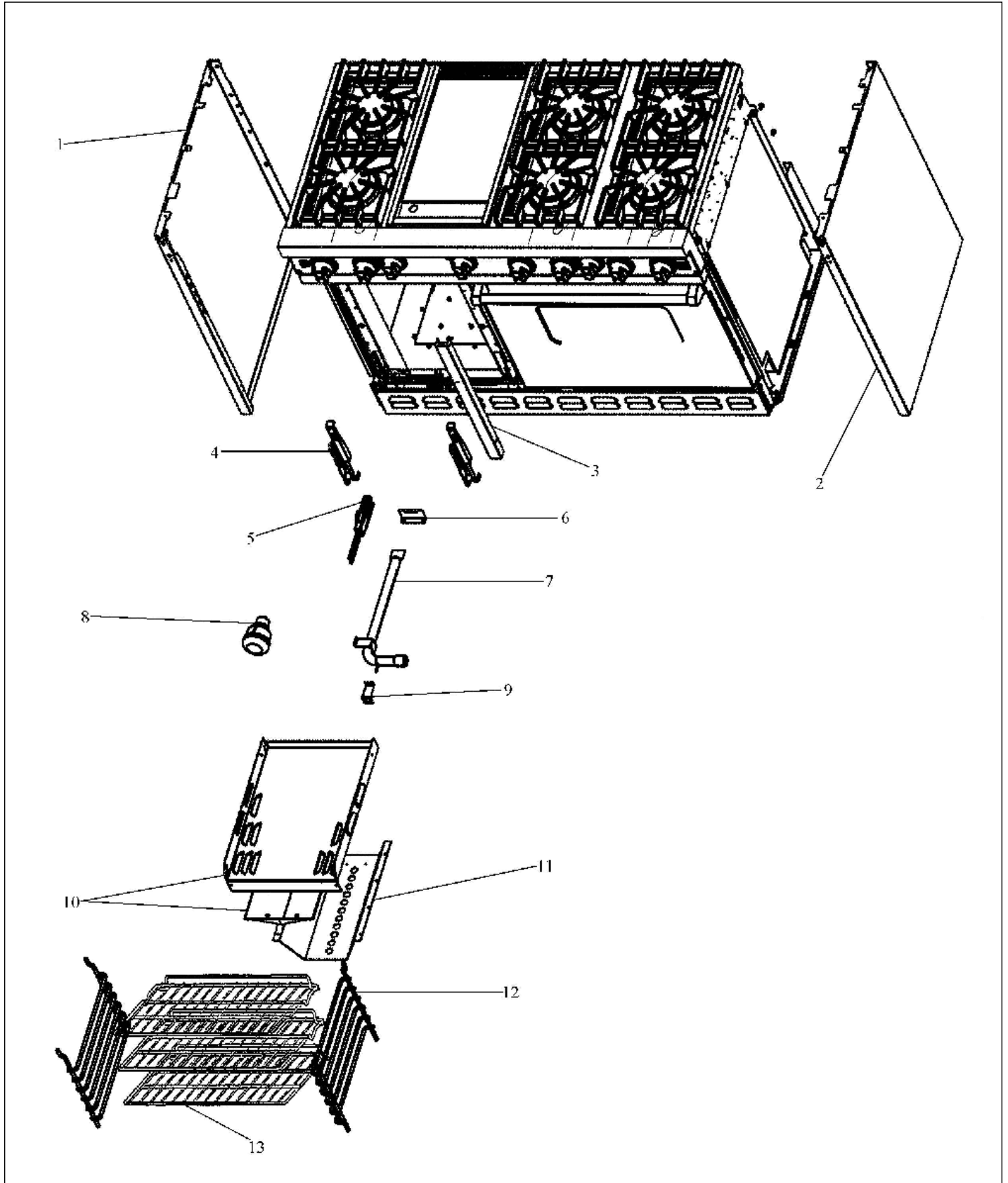
Item	Part No.	Name	Qty	Uom	NOTES
Not Shown	NOTE	(BEFORE 06/27/05)		EA	
Not Shown	C9001974LE	CENTER TRIM *LE* (VGSS480)	1	EA	NO LONGER AVAILABLE, Not available online / Call for pricing and availability
Not Shown	NOTE	(BEFORE 06/27/05)		EA	
Not Shown	C9001974MJ	CENTER TRIM *MJ* (VGSS480)	1	EA	NO LONGER AVAILABLE, Not available online / Call for pricing and availability
Not Shown	NOTE	(BEFORE 06/27/05)		EA	
Not Shown	C9001974SG	CENTER TRIM *SG* (VGSS480)	1	EA	NO LONGER AVAILABLE, Not available online / Call for pricing and availability
Not Shown	NOTE	(BEFORE 06/27/05)		EA	
Not Shown	C9001974VB	CENTER TRIM *VB* (VGIC48)	1	EA	NO LONGER AVAILABLE, Not available online / Call for pricing and availability
Not Shown	NOTE	(BEFORE 06/27/05)		EA	
Not Shown	C9001974WH	CENTER TRIM *WH* (VGSS480)	1	EA	NO LONGER AVAILABLE
Not Shown	NOTE	(BEFORE 06/27/05)		EA	
Not Shown	B20013824	CENTER TRIM 48"	1	EA	
Not Shown	NOTE	(AFTER 06/27/05)		EA	
Not Shown	C90013824AL	CENTER TRIM 48" (AL)	1	EA	NO LONGER AVAILABLE, Not available online / Call for pricing and availability
Not Shown	NOTE	(AFTER 06/27/05)		EA	
Not Shown	C90013824BK	CENTER TRIM 48" (BK)	1	EA	NO LONGER AVAILABLE, Not available online / Call for pricing and availability



Item	Part No.	Name	Qty	Uom	NOTES
Not Shown	NOTE	(AFTER 06/27/05)		EA	
Not Shown	C90013824BT	CENTER TRIM 48" (BT)	1	EA	NO LONGER AVAILABLE, Not available online / Call for pricing and availability
Not Shown	NOTE	(AFTER 06/27/05)		EA	
Not Shown	C90013824BU	CENTER TRIM 48" (BU)	1	EA	NO LONGER AVAILABLE, Not available online / Call for pricing and availability
Not Shown	NOTE	(AFTER 06/27/05)		EA	
Not Shown	C90013824CB	CENTER TRIM 48" (CB)	1	EA	NO LONGER AVAILABLE, Not available online / Call for pricing and availability
Not Shown	NOTE	(AFTER 06/27/05)		EA	
Not Shown	C90013824EP	CENTER TRIM 48" (EP)	1	EA	NO LONGER AVAILABLE, Not available online / Call for pricing and availability
Not Shown	NOTE	(AFTER 06/27/05)		EA	
Not Shown	C90013824FG	CENTER TRIM 48" (FG)	1	EA	NO LONGER AVAILABLE, Not available online / Call for pricing and availability
Not Shown	NOTE	(AFTER 06/27/05)		EA	
Not Shown	C90013824GG	CENTER TRIM 48" (GG)	1	EA	NO LONGER AVAILABLE, Not available online / Call for pricing and availability
Not Shown	NOTE	(AFTER 06/27/05)		EA	
Not Shown	C90013824LE	CENTER TRIM 48" (LE)	1	EA	NO LONGER AVAILABLE, Not available online / Call for pricing and availability
Not Shown	NOTE	(AFTER 06/27/05)		EA	



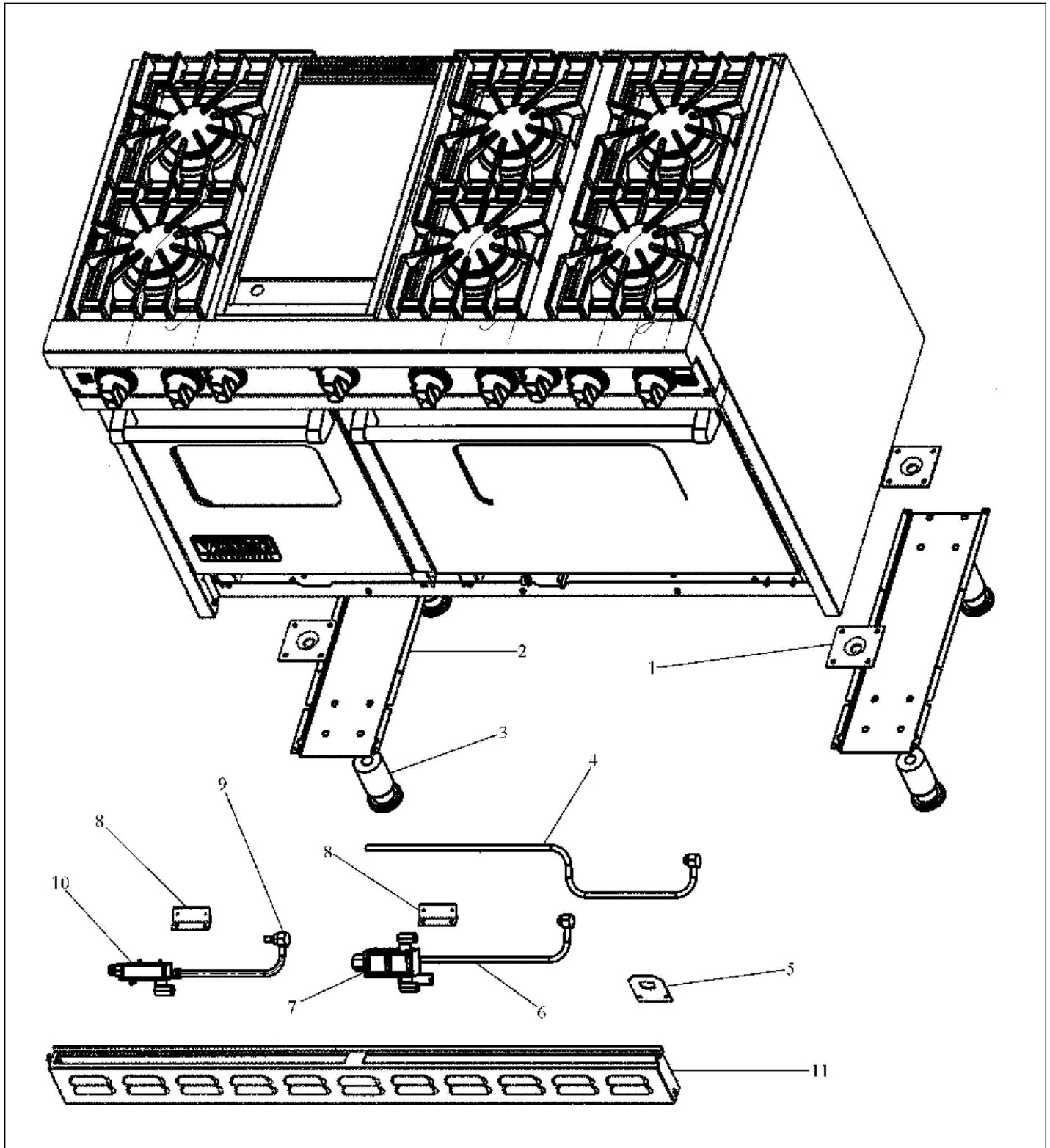
Item	Part No.	Name	Qty	Uom	NOTES
Not Shown	C90013824MJ	CENTER TRIM 48" (MJ)	1	EA	NO LONGER AVAILABLE, Not available online / Call for pricing and availability
Not Shown	NOTE	(AFTER 06/27/05)		EA	
Not Shown	C90013824SG	CENTER TRIM 48" (SG)	1	EA	NO LONGER AVAILABLE, Not available online / Call for pricing and availability
Not Shown	NOTE	(AFTER 06/27/05)		EA	
Not Shown	C90013824VB	CENTER TRIM 48" (VB)	1	EA	NO LONGER AVAILABLE, Not available online / Call for pricing and availability
Not Shown	NOTE	(AFTER 06/27/05)		EA	
Not Shown	C90013824WH	CENTER TRIM 48" (WH)	1	EA	Not available online / Call for pricing and availability
Not Shown	NOTE	(AFTER 06/27/05)		EA	
4	PC020003	HINGE ASSY (BLUE)	1	EA	
5	PB040001	Igniter	1	EA	
6	A2002000	REAR BURNER MOUNTING BRKT	1	EA	Not available online / Call for pricing and availability
7	PB050014	OVEN BURNER LH-	1	EA	
8	031449-000	LAMP, ASM	1	EA	
9	A2001218	OVEN BURNER HOLDER RH (VGSC)	1	EA	
10	G3204255	OVEN BOTTOM ASSY - LH OVEN, 48"	1	EA	
11	A2001955	AIR PLATE LH (VGSS48)	1	EA	NO LONGER AVAILABLE, Not available online / Call for pricing and availability
12	PB060030	RACK SUPT REPL PB060010	1	EA	
13	PB060040	OVEN RACK (VGIS48-LH) REPL PB060016	1	EA	



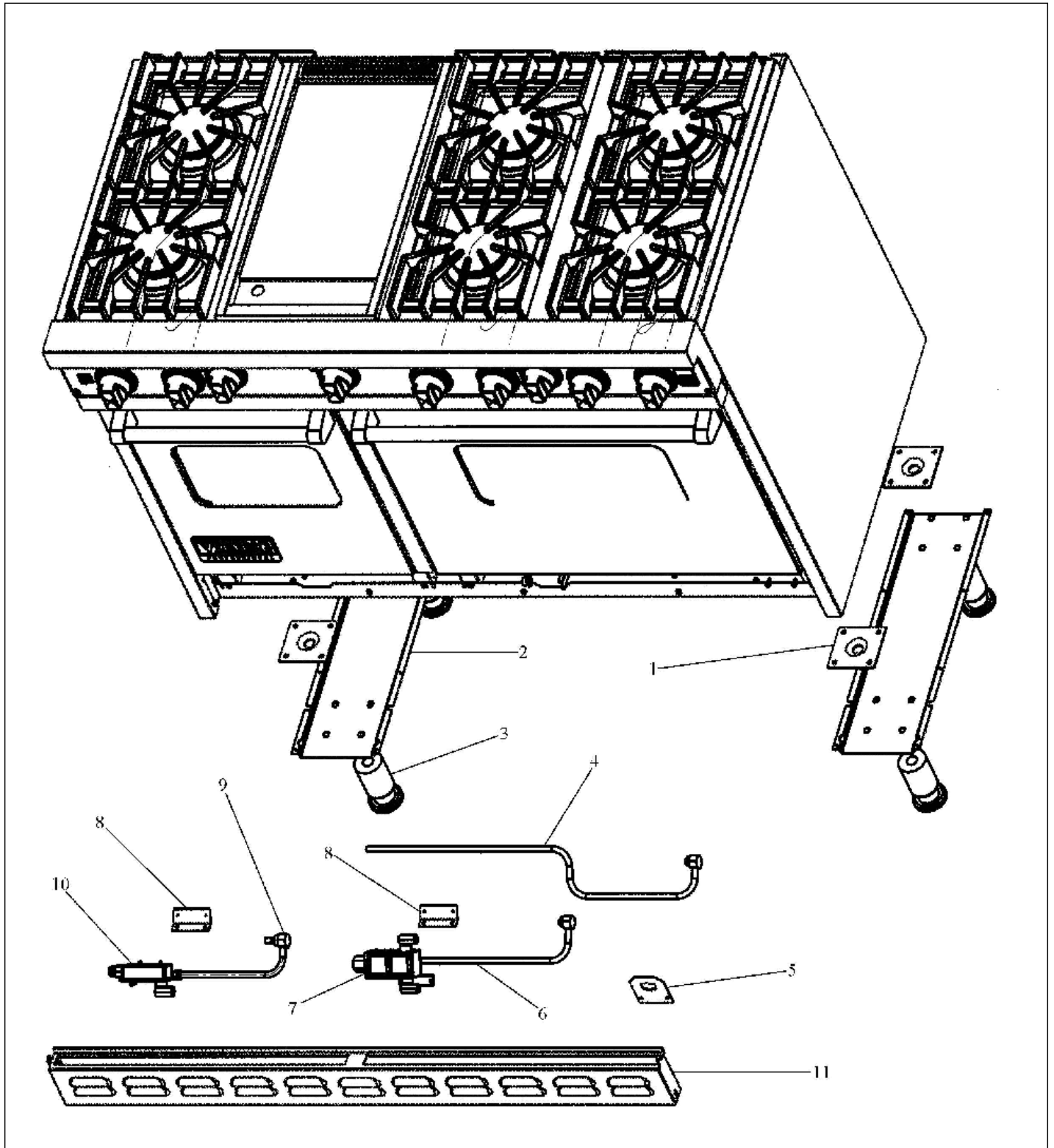


Item	Part No.	Name	Qty	Uom	NOTES
NI	PB070035	OVEN DR GASKET LH (VGSS48)	1	EA	

LOWER UNIT ASSY



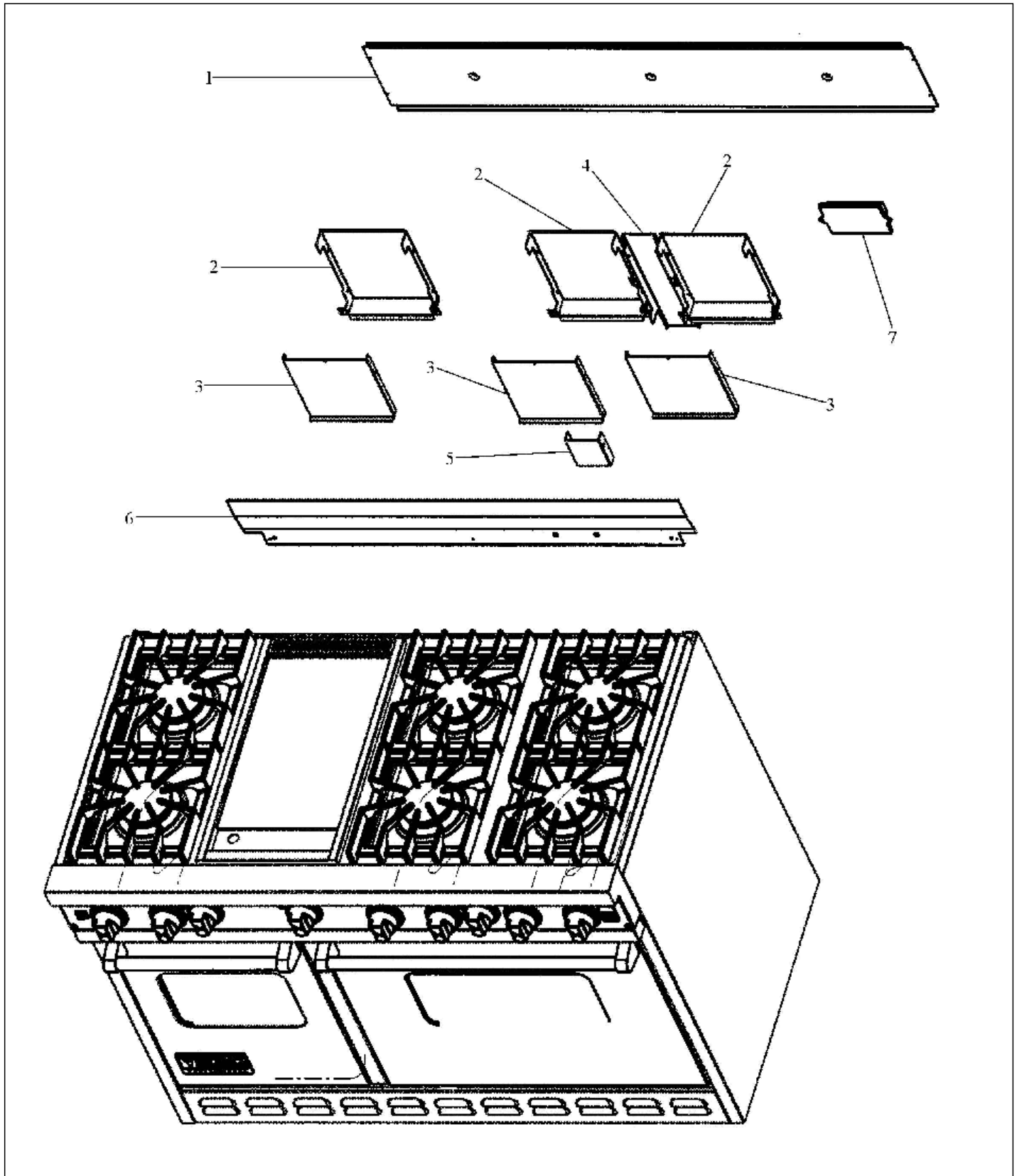
Item	Part No.	Name	Qty	Uom	NOTES
1	PC030007	LEG PLATE - 3/4" THREADED HOLE	1	EA	
2	A2001351	LEG BRACE (VGSC/VGSS) 30"	1	EA	NO LONGER AVAILABLE, Not available online / Call for pricing and availability
3	PC030017	4" LEG ASSY	1	EA	
4	PB020023	BAKE BURNER TUBE RH OVEN	1	EA	
5	A1008487	SERVICE DISCONNECT BRACKET	1	EA	
6	PB020022	BAKE BURNER TUBE LH OVEN	1	EA	
7	PB010084	DUAL THERMAL BI-MTL GAS CTRL VALVE	1	EA	
8	A2001375	THERMAL VALVE BRKT (VGSC/VGSS)	1	EA	NO LONGER AVAILABLE, Not available online / Call for pricing and availability
9	PB020035	TUBING-VGRC48-LH BAKE BURNER	1	EA	
10	PB010083	SINGLE THERMAL VALVE LH (OVEN)	1	EA	
11	B2001241	LWR ACC. PNL - RPLCS B2001973	1	EA	
Not Shown	C9001241AL	LWR ACC PNL - RPLCS C9001973AL	1	EA	NO LONGER AVAILABLE, Not available online / Call for pricing and availability
Not Shown	C9001241BK	LWR ACC PNL - RPLCS C9001973BK	1	EA	
Not Shown	C9001241BT	LWR ACC PNL - RPLCS C9001973BT	1	EA	NO LONGER AVAILABLE
Not Shown	C9001241BU	LWR ACC PNL - RPLCS C9001973BU	1	EA	
Not Shown	C9001241CB	LWR ACC PNL - RPLCS C9001973CB	1	EA	NO LONGER AVAILABLE
Not Shown	C9001241EP	LWR ACC PNL - RPCLS C9001973EP	1	EA	NO LONGER AVAILABLE, Not available online / Call for pricing and availability
Not Shown	C9001241FG	LWR ACC PNL - RPLCS C9001973FG	1	EA	NO LONGER AVAILABLE, Not available online / Call for pricing and availability





Item	Part No.	Name	Qty	Uom	NOTES
Not Shown	C9001241GG	LWR ACC PNL - RPLCS C9001973GG	1	EA	Not available online / Call for pricing and availability
Not Shown	C9001241LE	LWR ACC PNL - RPLCS C9001973LE	1	EA	NO LONGER AVAILABLE
Not Shown	C9001241MJ	LWR ACC PNL - RPLCS C9001973MJ	1	EA	NO LONGER AVAILABLE
Not Shown	C9001241SG	LWR ACC PNL - RPLCS C9001973SG	1	EA	Not available online / Call for pricing and availability
Not Shown	C9001241VB	LWR ACC PNL - RPLCS C9001973VB	1	EA	NO LONGER AVAILABLE, Not available online / Call for pricing and availability
Not Shown	C9001241WH	LWR ACC PNL - RPLCS C9001973WH	1	EA	

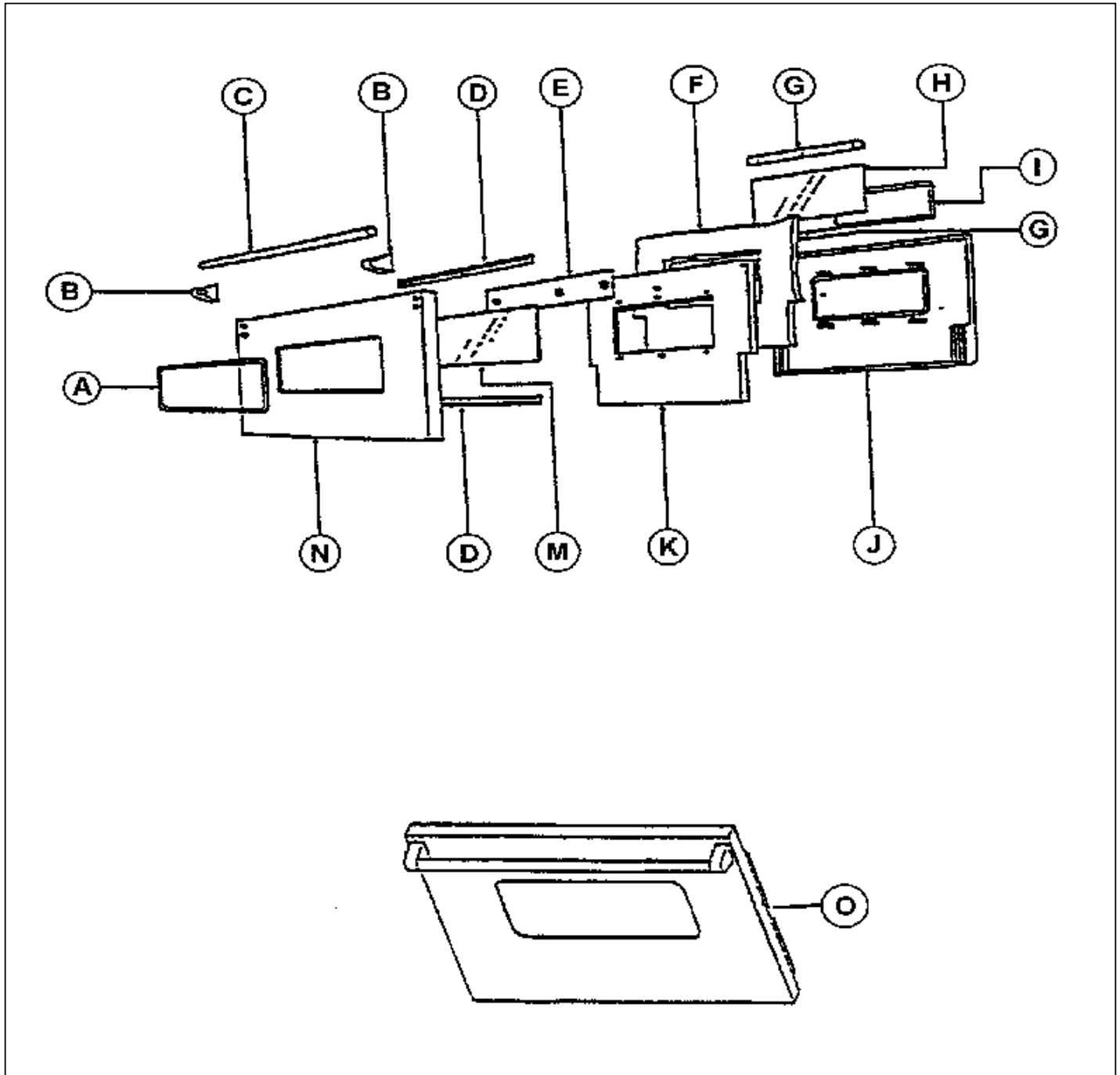
REAR UNIT ASSY



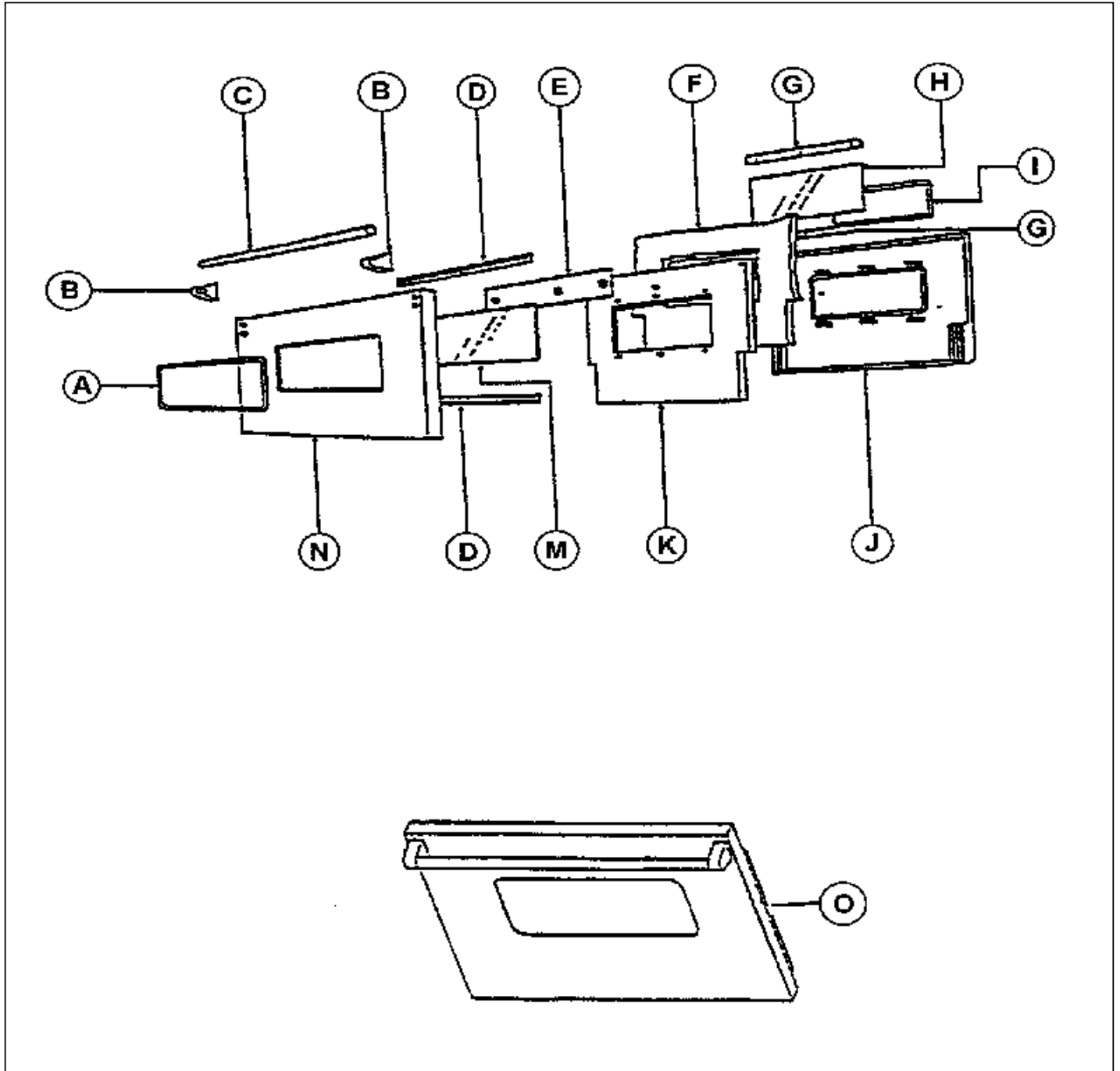


Item	Part No.	Name	Qty	Uom	NOTES
1	A2002007	REAR COVER (VGSS48)	1	EA	
2	A3009757	FLUE BOX BACK VGIC	1	EA	
3	A2009756	FLUE BOX FRONT, VGIC	1	EA	
4	A2009526	VGIC245 BROIL FLUE DEFLECTOR	1	EA	
5	A2007847	VGIC307 BROIL FLUE COVER	1	EA	NO LONGER AVAILABLE, Not available online / Call for pricing and availability
6	A20012051	REAR SHIELD VGIC487	1	EA	
7	PA020048	Spark Module (6B /6G/ 4Q)	1	EA	
Not Shown	PA020047	INVENSYS 0+4 RE-IGNITION SPARK MODULE	1	EA	
NI	003226-000	FJT VALVE - NO NUT/FERRELL	1	EA	

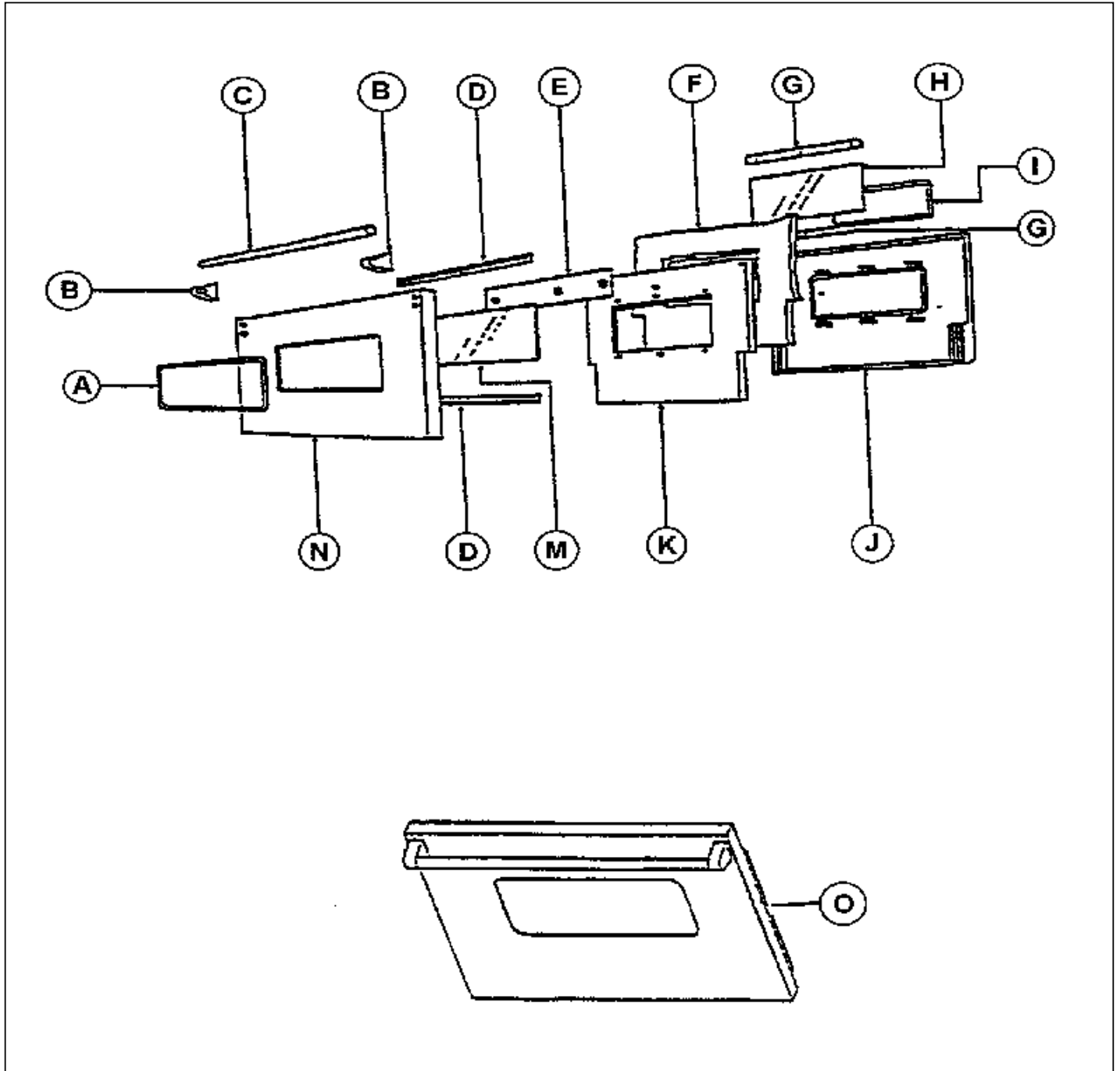
RH DOOR ASSY



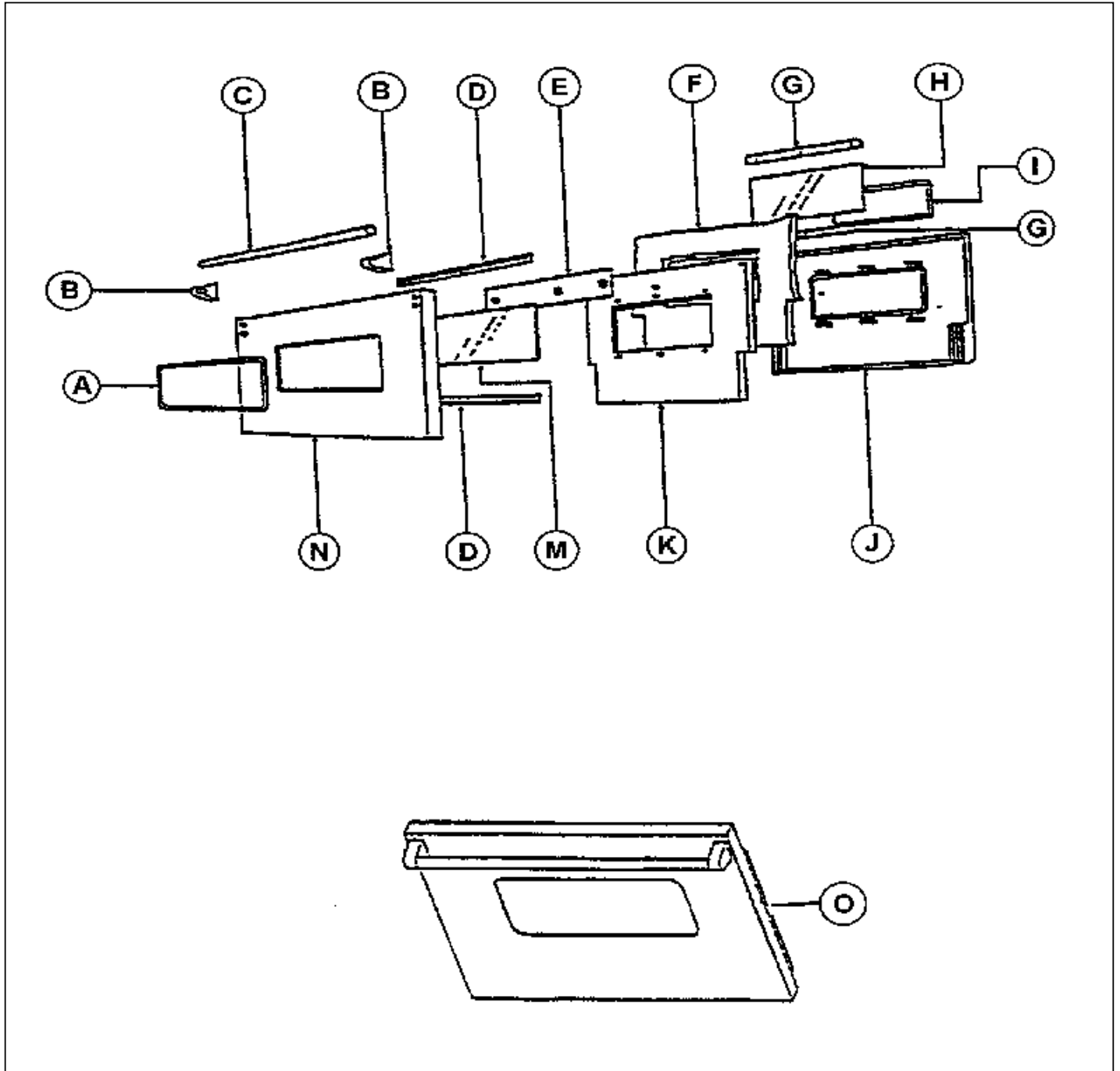
Item	Part No.	Name	Qty	Uom	NOTES
A	PE060007	J-MOLD (1" RADIUS)	1	EA	
Not Shown	PE060020	J-MOLD (VGSO OVN DOOR) *BR*	1	EA	
NI	PD030006	CAPPED WASHER PAL NUT	1	EA	
NI	PD010019	BLT-1/4-20X3/8"HEX WASHER SERATED	1	EA	
B	000268-000	HANDLE ENDCAP	1	EA	
Not Shown	PE030001PVD	END CAP DOOR HANDLE *BR	1	EA	
C	PE030005	DOOR HANDLE - VGSC30/RC60/RC48RH	1	EA	
Not Shown	PE030012PVD	DOOR HANDLE - RH - (30"/48") PVD	1	EA	
D	A2001447	OUTER DOOR GLASS RETAINER	1	EA	
E	A1001381	DOOR HEAT BAFFLE (VGSC/VGSS)	1	EA	
F	PB070034	INSULATION-TRS-10 1" X 20" X 77' ROLL	1	EA	
G	A2001480	INNER DOOR GLASS RETAINER	1	EA	
H	PE060008	GLASS REPL PE060009	1	EA	
I	PB070014	DOOR GLASS SEAL STRIP - WINDOW DRS.	1	EA	
J	H9101928	OVEN DR LINER ASSY (30)W/WD (MC)	1	EA	
K	A2001718	DOOR INSUL RETAINER (VGSC/SS) W/W	1	EA	NO LONGER AVAILABLE
M	PE060018	OVEN GLASS-TEMPERED,SCREENED*BK*	1	EA	
N	B2009173	OUTSIDE DOOR PANEL 48" RH *SS*	1	EA	
Not Shown	C9009174AL	OUTSIDE DOOR PANEL 48" RH *AL*	1	EA	NO LONGER AVAILABLE, Not available online / Call for pricing and availability
Not Shown	C9009174BK	OUTSIDE DOOR PANEL 48" RH *BK*	1	EA	
Not Shown	C9009174BT	OUTSIDE DOOR PANEL 48" RH *BT*	1	EA	NO LONGER AVAILABLE, Not available online / Call for pricing and availability



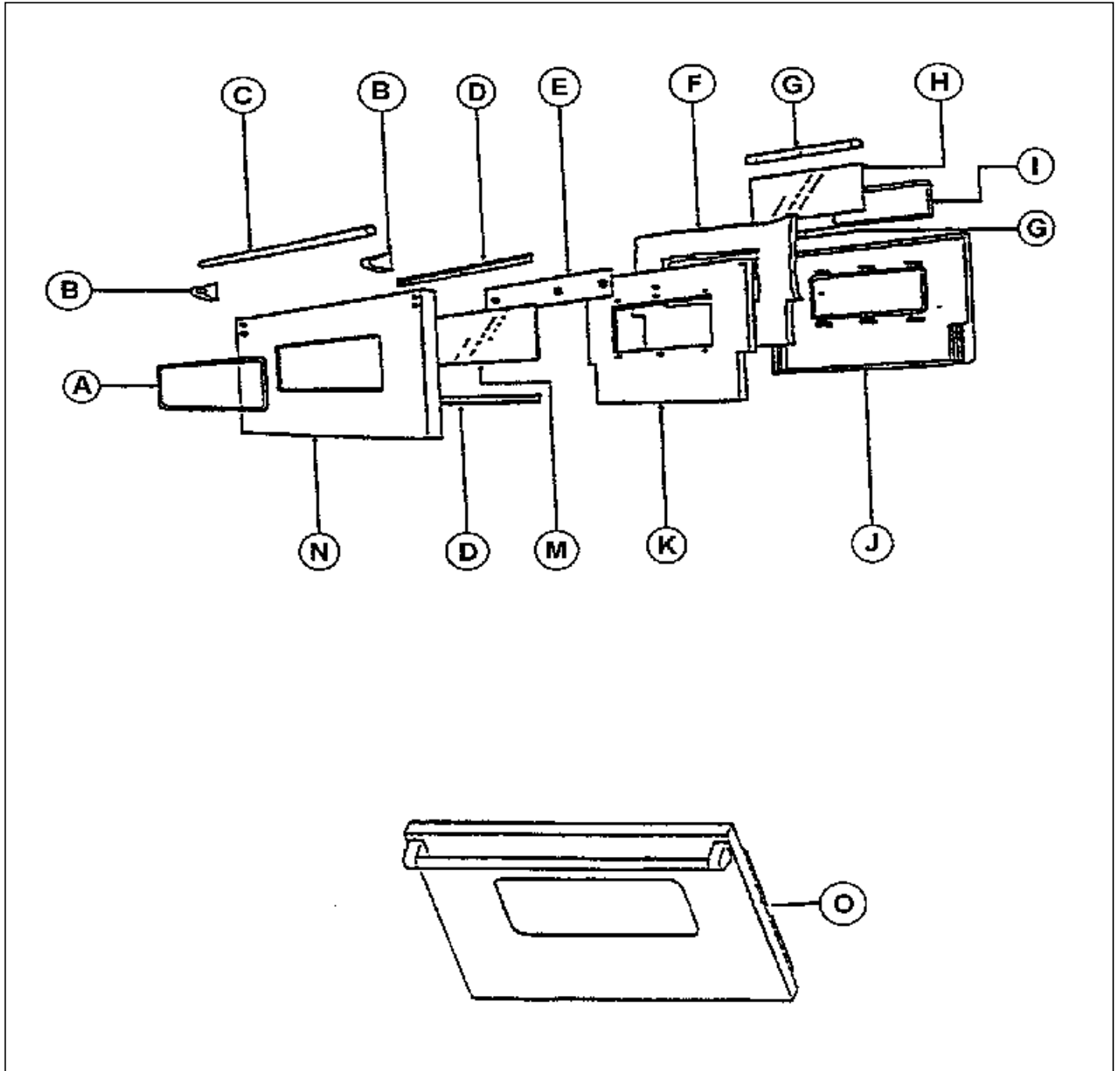
Item	Part No.	Name	Qty	Uom	NOTES
Not Shown	C9009174BU	OUTSIDE DOOR PANEL 48" RH *BU*	1	EA	Not available online / Call for pricing and availability
Not Shown	C9009174CB	OUTSIDE DOOR PANEL 48" RH *CB*	1	EA	NO LONGER AVAILABLE, Not available online / Call for pricing and availability
Not Shown	C9009174EP	OUTSIDE DOOR PANEL 48" RH *EP*	1	EA	NO LONGER AVAILABLE, Not available online / Call for pricing and availability
Not Shown	C9009174FG	OUTSIDE DOOR PANEL 48" RH *FG*	1	EA	NO LONGER AVAILABLE, Not available online / Call for pricing and availability
Not Shown	C9009174GG	OUTSIDE DOOR PANEL 48" RH *GG*	1	EA	NO LONGER AVAILABLE
Not Shown	C9009174LE	OUTSIDE DOOR PANEL 48" RH *LE*	1	EA	NO LONGER AVAILABLE
Not Shown	C9009174MJ	OUTSIDE DOOR PANEL 48" RH *MJ*	1	EA	NO LONGER AVAILABLE, Not available online / Call for pricing and availability
Not Shown	C9009174SG	OUTSIDE DOOR PANEL 48" RH *SG*	1	EA	Not available online / Call for pricing and availability
Not Shown	C9009174VB	OUTSIDE DOOR PANEL 48" RH *VB*	1	EA	NO LONGER AVAILABLE, Not available online / Call for pricing and availability
Not Shown	C9009174WH	OUTSIDE DOOR PANEL 48" RH *WH*	1	EA	
O	G3209184AL	DOOR ASSY 48" RH *AL*	1	EA	NO LONGER AVAILABLE, Not available online / Call for pricing and availability
Not Shown	G3209184ALBR	COMPLETE DOOR ASSY. - ALBR	1	EA	Not available online / Call for pricing and availability
Not Shown	G3209184BK	DOOR ASSY 48" RH *BK*	1	EA	NO LONGER AVAILABLE, Not available online / Call for pricing and availability



Item	Part No.	Name	Qty	Uom	NOTES
Not Shown	G3209184BKBR	DOOR ASSY 48" RH *BKBR*	1	EA	NO LONGER AVAILABLE, Not available online / Call for pricing and availability
Not Shown	G3209184BT	DOOR ASSY 48" RH *BT*	1	EA	NO LONGER AVAILABLE, Not available online / Call for pricing and availability
Not Shown	G3209184BTBR	COMPLETE DOOR ASSY. - BTBR	1	EA	Not available online / Call for pricing and availability
Not Shown	G3209184BU	DOOR ASSY 48" RH *BU*	1	EA	NO LONGER AVAILABLE, Not available online / Call for pricing and availability
Not Shown	G3209184BUBR	COMPLETE DOOR ASSY. - BUBR	1	EA	Not available online / Call for pricing and availability
Not Shown	G3209184CB	DOOR ASSY 48" RH *CB*	1	EA	NO LONGER AVAILABLE, Not available online / Call for pricing and availability
Not Shown	G3209184CBBR	COMPLETE DOOR ASSY. - CBBR	1	EA	Not available online / Call for pricing and availability
Not Shown	G3209184EP	DOOR ASSY 48" RH *EP*	1	EA	NO LONGER AVAILABLE, Not available online / Call for pricing and availability
Not Shown	G3209184EPBR	COMPLETE DOOR ASSY. - EPBR	1	EA	Not available online / Call for pricing and availability
Not Shown	G3209184FG	DOOR ASSY 48" RH *FG*	1	EA	NO LONGER AVAILABLE, Not available online / Call for pricing and availability
Not Shown	G3209184FGBR	COMPLETE DOOR ASSY. - FGBR	1	EA	Not available online / Call for pricing and availability



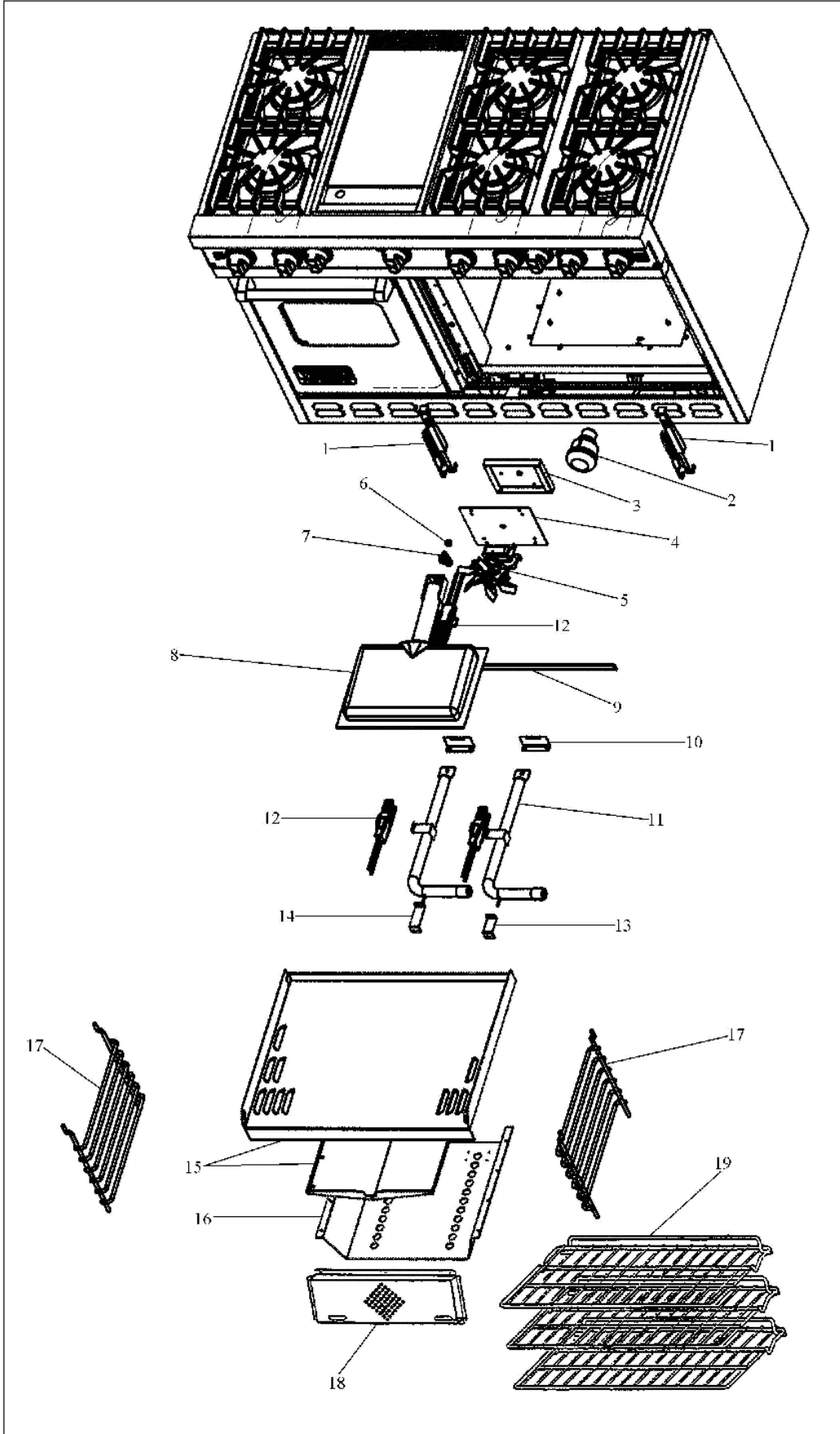
Item	Part No.	Name	Qty	Uom	NOTES
Not Shown	G3209184GG	DOOR ASSY 48" RH *GG*	1	EA	NO LONGER AVAILABLE, Not available online / Call for pricing and availability
Not Shown	G3209184GGBR	COMPLETE DOOR ASSY. - GGBR	1	EA	Not available online / Call for pricing and availability
Not Shown	G3209184LE	DOOR ASSY 48" RH *LE*	1	EA	NO LONGER AVAILABLE, Not available online / Call for pricing and availability
Not Shown	G3209184LEBR	COMPLETE DOOR ASSY. - LEBR	1	EA	Not available online / Call for pricing and availability
Not Shown	G3209184MJ	DOOR ASSY 48" RH *MJ*	1	EA	NO LONGER AVAILABLE, Not available online / Call for pricing and availability
Not Shown	G3209184MJBR	COMPLETE DOOR ASSY. - MJBR	1	EA	Not available online / Call for pricing and availability
Not Shown	G3209184SG	DOOR ASSY 48" RH *SG*	1	EA	NO LONGER AVAILABLE, Not available online / Call for pricing and availability
Not Shown	G3209184SGBR	COMPLETE DOOR ASSY. - SGBR	1	EA	Not available online / Call for pricing and availability
Not Shown	G3209183SS	DOOR ASSY 48" RH *SS*	1	EA	
Not Shown	G3209183SSBR	DOOR ASSY 48" RH *SSBR*	1	EA	NO LONGER AVAILABLE, Not available online / Call for pricing and availability
Not Shown	G3209184VB	DOOR ASSY 48" RH *VB*	1	EA	NO LONGER AVAILABLE, Not available online / Call for pricing and availability
Not Shown	G3209184VBBR	COMPLETE DOOR ASSY. - VBBR	1	EA	Not available online / Call for pricing and availability





Item	Part No.	Name	Qty	Uom	NOTES
Not Shown	G3209184WH	DOOR ASSY 48" RH *WH*	1	EA	NO LONGER AVAILABLE
Not Shown	G3209184WHBR	COMPLETE DOOR ASSY. - WHBR	1	EA	Not available online / Call for pricing and availability
NI	PD020032	SRW-8(A)X3/8"PH.WFR HD 7/16DIA*NICL	1	EA	

RH OVEN ASSY



Item	Part No.	Name	Qty	Uom	NOTES
1	PC020007	HINGE ASSY (NO COLOR)	1	EA	
2	031449-000	LAMP, ASM	1	EA	
3	A2002595	CONVECTION FAN BOX (VDSC)	1	EA	
4	A1002596	CONVECTION FAN COVER (VDSC)	1	EA	
5	PE050057	CONVECTION FAN (VGSC306)	1	EA	
6	PB040040	ORIFICE-IR BURNER (VGSC)	1	EA	
Not Shown	PB040027	IR BUR.SPUD ORF. - #56 LP	1	EA	
7	PB040178	90 DEGREE ORIFICE FITTING (VGSC306)	1	EA	
8	G3001876	IR BURNER ASSY (VGSC/RC) N/S	1	EA	
9	A2000606	OVEN BTM PAN SUPT	1	EA	NO LONGER AVAILABLE
10	A2002000	REAR BURNER MOUNTING BRKT	1	EA	Not available online / Call for pricing and availability
11	PB050012	OVEN BURNER REPL PB050009	1	EA	
12	PB040001	Igniter	1	EA	
13	A2001218	OVEN BURNER HOLDER RH (VGSC)	1	EA	
14	A2001365	OVEN BURNER HOLDER LH (VGSC)	1	EA	
15	G3204251	OVEN BOTTOM ASSY - RH OVEN, 48"	1	EA	
16	A2001357	AIR PLATE (VGSC/VGSS)	1	EA	NO LONGER AVAILABLE
17	PB060030	RACK SUPT REPL PB060010	1	EA	
18	G9101371	CONVECTION FAN COVER ASSY(VGSC305)	1	EA	
19	PB060038	RACK REPL PB060011	1	EA	
NI	PB070030	OVEN DR GASKET-30" & 36"	1	EA	



Appendix A:Pages Index

12 GRIDDLE ASSY 1
12 GRILL ASSY 2
24 GRIDDLE ASSY 3
BURNER BOX ASSY 4
LH DOOR ASSY 5
LH OVEN ASSY 6
LOWER UNIT ASSY 7
REAR UNIT ASSY 8
RH DOOR ASSY 9
RH OVEN ASSY 10



Appendix B:Parts Index

000268-000	5, 9	A2001955	6
002569-000	2, 3, 4	A2001961	5
003208-000	1	A2002000	6, 10
003226-000	8	A2002007	8
003227-000	3	A2002595	10
003517-000	4	A2006747	4
003862-000	1, 4	A2006748	4
007147-000	1	A2007847	8
031449-000	6, 10	A2007862	3
050172-000	1, 2, 3, 4	A2007863	2
A10010162	2	A2007867	1, 3
A1001381	9	A2007871	2
A1001513	5	A2009526	8
A1002596	10	A2009580	1, 3
A1007861	1, 3	A2009756	8
A1008487	7	A3009757	8
A2000606	10	B20010163	2
A20010184	4	B2001241	7
A20010463	3	B20013824	6
A20010470	1	B2001974	6
A20010657	1	B2007868	4
A20011234	4	B2007869	6
A20011240	4	B2007870	6
A20011249	1, 3	B2009173	9
A2001132	2	B2009175	5
A20012051	3, 8	B2009846	2
A2001218	6, 10	B2009866	2
A2001351	7	B9201286	4
A2001357	10	B9202373	4
A2001365	10	B9202374	4
A2001375	7	B9202376	4
A2001447	9	C9001241AL	7
A2001480	9	C9001241BK	7
A2001621	5	C9001241BT	7
A2001622	5	C9001241BU	7
A2001631	2	C9001241CB	7
A2001633	2	C9001241EP	7
A2001718	9	C9001241FG	7
A2001855	2	C9001241GG	7
A2001863	2	C9001241LE	7
		C9001241MJ	7



C9001241SG	7	C9007869WH	6
C9001241VB	7	C9007870AL	6
C9001241WH	7	C9007870BK	6
C90013824AL	6	C9007870BT	6
C90013824BK	6	C9007870BU	6
C90013824BT	6	C9007870CB	6
C90013824BU	6	C9007870EP	6
C90013824CB	6	C9007870FG	6
C90013824EP	6	C9007870GG	6
C90013824FG	6	C9007870LE	6
C90013824GG	6	C9007870MJ	6
C90013824LE	6	C9007870SG	6
C90013824MJ	6	C9007870VB	6
C90013824SG	6	C9007870WH	6
C90013824VB	6	C9009174AL	9
C90013824WH	6	C9009174BK	9
C9001974AL	6	C9009174BT	9
C9001974BK	6	C9009174BU	9
C9001974BT	6	C9009174CB	9
C9001974BU	6	C9009174EP	9
C9001974CB	6	C9009174FG	9
C9001974EP	6	C9009174GG	9
C9001974FG	6	C9009174LE	9
C9001974GG	6	C9009174MJ	9
C9001974LE	6	C9009174SG	9
C9001974MJ	6	C9009174VB	9
C9001974SG	6	C9009174WH	9
C9001974VB	6	C9009176AL	5
C9001974WH	6	C9009176BK	5
C9007869AL	6	C9009176BT	5
C9007869BK	6	C9009176BU	5
C9007869BT	6	C9009176CB	5
C9007869BU	6	C9009176EP	5
C9007869CB	6	C9009176FG	5
C9007869EP	6	C9009176GG	5
C9007869FG	6	C9009176LE	5
C9007869GG	6	C9009176MJ	5
C9007869LE	6	C9009176SG	5
C9007869MJ	6	C9009176VB	5
C9007869SG	6	C9009176WH	5
C9007869VB	6	C9307868BR	4



E9101130BK	2	G3204251	10
E9109801AL	4	G3204255	6
E9109801BK	4	G3209183SS	9
E9109801BT	4	G3209183SSBR	9
E9109801CB	4	G3209184AL	9
E9109801EP	4	G3209184ALBR	9
E9109801FG	4	G3209184BK	9
E9109801GG	4	G3209184BKBR	9
E9109801LE	4	G3209184BT	9
E9109801MJ	4	G3209184BTBR	9
E9109801SG	4	G3209184BU	9
E9109801VB	4	G3209184BUBR	9
E9109801WH	4	G3209184CB	9
E9109803AL	4	G3209184CBBR	9
E9109803BK	4	G3209184EP	9
E9109803BT	4	G3209184EPBR	9
E9109803CB	4	G3209184FG	9
E9109803EP	4	G3209184FGBR	9
E9109803FG	4	G3209184GG	9
E9109803GG	4	G3209184GGBR	9
E9109803LE	4	G3209184LE	9
E9109803MJ	4	G3209184LEBR	9
E9109803SG	4	G3209184MJ	9
E9109803VB	4	G3209184MJBR	9
E9109803WH	4	G3209184SG	9
E9109804AL	4	G3209184SGBR	9
E9109804BK	4	G3209184VB	9
E9109804BT	4	G3209184VBBR	9
E9109804CB	4	G3209184WH	9
E9109804EP	4	G3209184WHBR	9
E9109804FG	4	G3209185SS	5
E9109804GG	4	G3209185SSBR	5
E9109804LE	4	G3209186AL	5
E9109804MJ	4	G3209186ALBR	5
E9109804SG	4	G3209186BK	5
E9109804VB	4	G3209186BKBR	5
E9109804WH	4	G3209186BT	5
G30010697	4	G3209186BTBR	5
G3001876	10	G3209186BU	5
G3009715	4	G3209186BUBR	5
G3009843	4	G3209186CB	5



G3209186CBBR	5	PA010040	2
G3209186EP	5	PA010100	4
G3209186EPBR	5	PA020015	4
G3209186FG	5	PA020028	2
G3209186FGBR	5	PA020029	4
G3209186GG	5	PA020045	4
G3209186GGBR	5	PA020047	8
G3209186LE	5	PA020048	8
G3209186LEBR	5	PA060054	4
G3209186MJ	5	PA060058	2
G3209186MJBR	5	PA060059	2
G3209186SG	5	PA060062	4
G3209186SGBR	5	PA070003	4
G3209186VB	5	PA080075	4
G3209186VBBR	5	PA080083	4
G3209186WH	5	PA080086	4
G3209186WHBR	5	PB010004	1, 3
G50012679	4	PB010035	4
G50013873	4	PB010036	4
G50013874	4	PB010083	4, 7
G50013875	4	PB010084	7
G50013876	4	PB010099	4
G50013877	4	PB010100	4
G9101371	10	PB010101	4
G9103409	5	PB010102	4
G9109811	2	PB010103	1, 3
G9109811AL	2	PB010104	1, 3
G9109811BT	2	PB010206	4
G9109811CB	2	PB010207	4
G9109811EP	2	PB010209	1, 2, 3, 4
G9109811FG	2	PB010264	1, 3
G9109811GG	2	PB020022	7
G9109811LE	2	PB020023	7
G9109811MJ	2	PB020025	2
G9109811SG	2	PB020035	7
G9109811VB	2	PB020041	4
G9109811WH	2	PB020116	1
G93011461PVD	4	PB020192	4
H9101928	9	PB020193	4
PA010030	2	PB040001	1, 3, 6, 10
PA010039	2	PB040027	10



PB040040	10	PE050024	3
PB040178	10	PE050057	10
PB040194	4	PE060007	9
PB040217	4	PE060008	9
PB050012	10	PE060011	5
PB050014	6	PE060012	5
PB050063	4	PE060013	5
PB050074	1, 3	PE060018	9
PB050077	2	PE060020	9
PB050081	4, 4, 4	PE060021	5
PB060030	6, 10	PK000009	4
PB060038	10	PK000010	4
PB060040	6		
PB070014	5, 9		
PB070030	10		
PB070034	5, 9		
PB070035	6		
PB070146	4		
PC020003	6		
PC020007	10		
PC030007	7		
PC030017	7		
PD010019	5, 9		
PD020032	5, 9		
PD030006	5, 9		
PD040028	4		
PD040035	4		
PE010030	5		
PE010031	5		
PE010068	5		
PE010076	5		
PE010081	4		
PE010082	4		
PE030001PVD	5, 9		
PE030005	9		
PE030008	5		
PE030012PVD	9		
PE030014PVD	5		
PE050016	4		
PE050017	4		
PE050023	3		