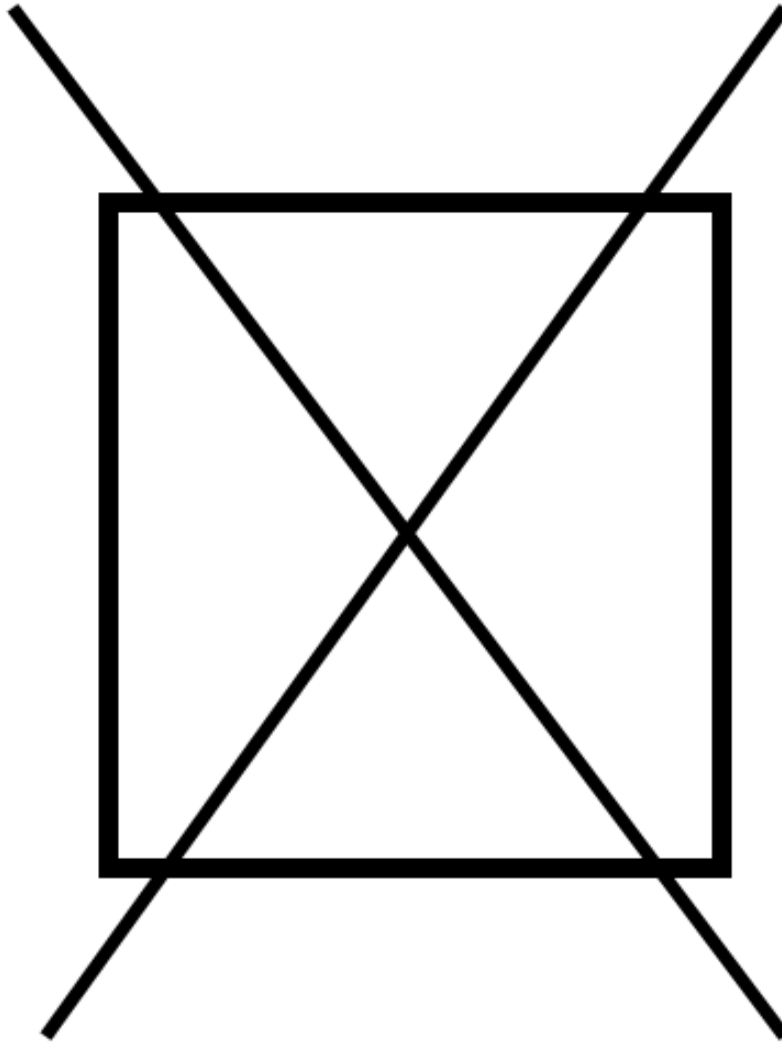


VGIC486-6G

001731-000 VGIC36 HARNESS	1
001754-000 POWER DISCONNECT HAR	2
001914-000 BROIL IGNITOR WIRE	3
BAKE IGNITER WIRE	4
BROILER AREA	5
BURNER BOX INTERIOR	6
CONTROL AREA	7
DRIP TRAY	8
G4008493 SUPPLY CORD	9
GRIDDLE SUBASSEMBLY	10
LH BAKE BURNER AREA	11
LH DOOR ASSEMBLY	12
LH OVEN MAIN CAVITY	13
LOWER UNIT AREA AND SIDE PANELS	14
PE070245 LIGHT EXT. HARNESS	15
PE070890 IRIS HARNESS	16
REAR ELECTRONICS AND GAS FLOW	17
REAR SHEET METAL	18
RH BAKE BURNER AREA	19
RH DOOR ASSEMBLY	20
RH OVEN MAIN CAVITY	21
SURFACE COOKING AREA	22
TOP BURNER IGNITER WIRES	23
WIRING DIAGRAM	24
Appendix A:Pages Index	A
Appendix B:Parts Index	B

NON ILLUSTRATED PART

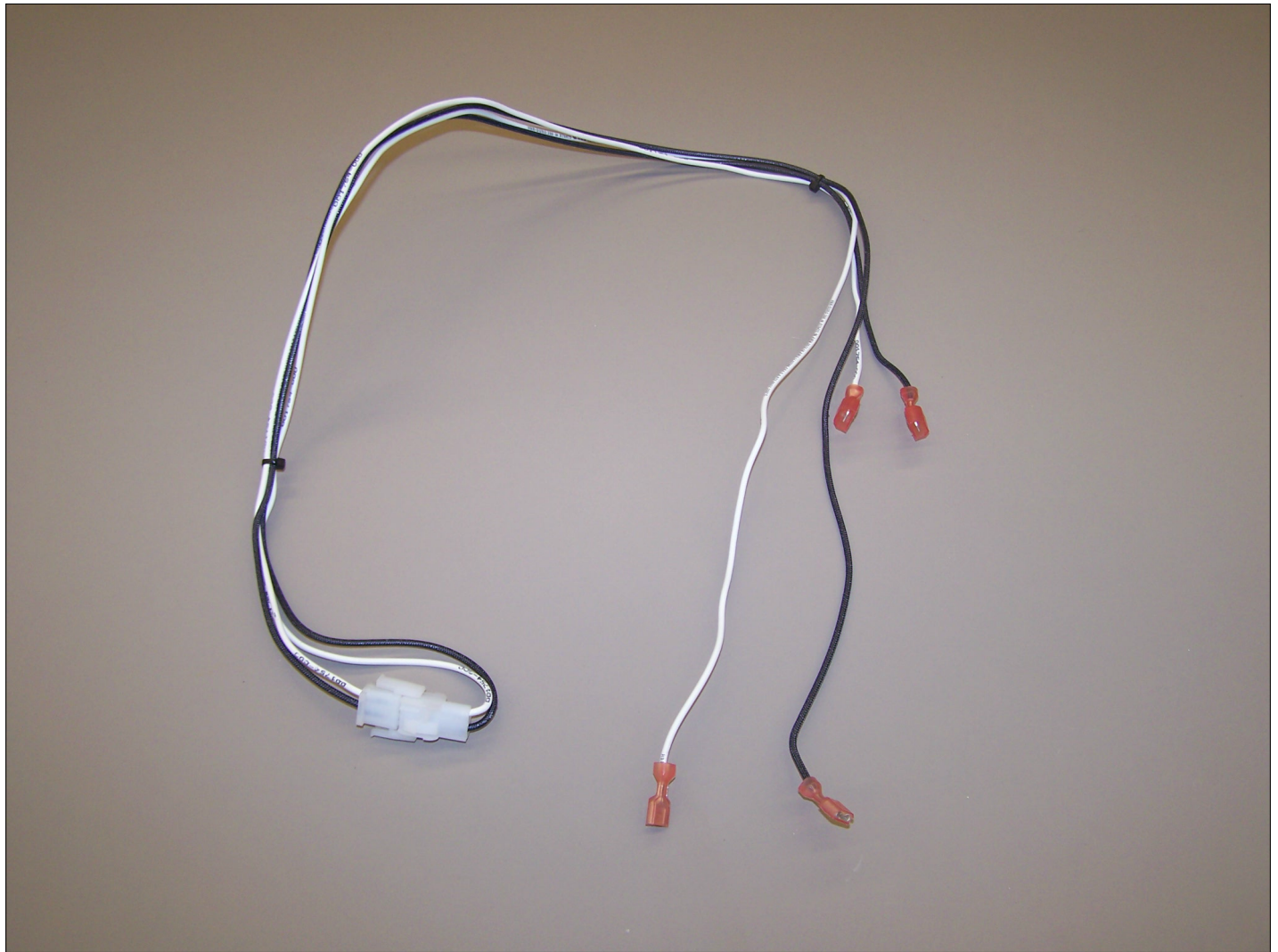




Item	Part No.	Name	Qty	Uom	NOTES
1	001731-000	HARNESS VGIC364G	1	EA	



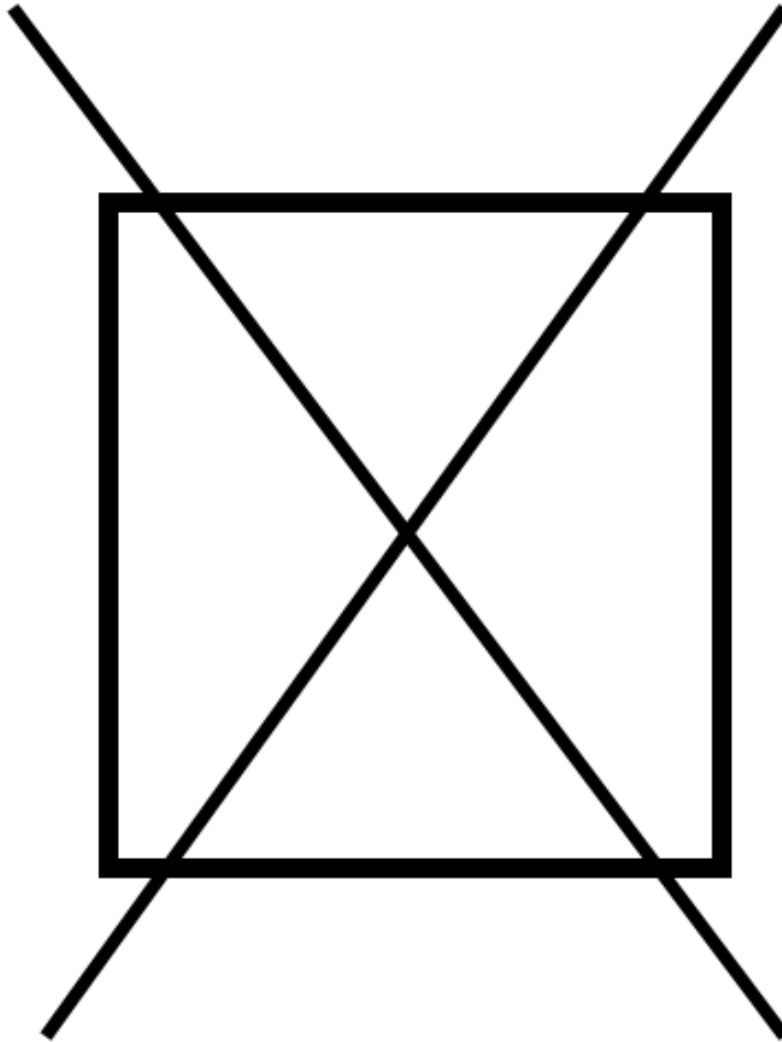
001754-000 POWER DISCONNECT HAR





Item	Part No.	Name	Qty	Uom	NOTES
1	001754-000	HARNESS POWER DISCONNECT	1	EA	

NON
ILLUSTRATED PART

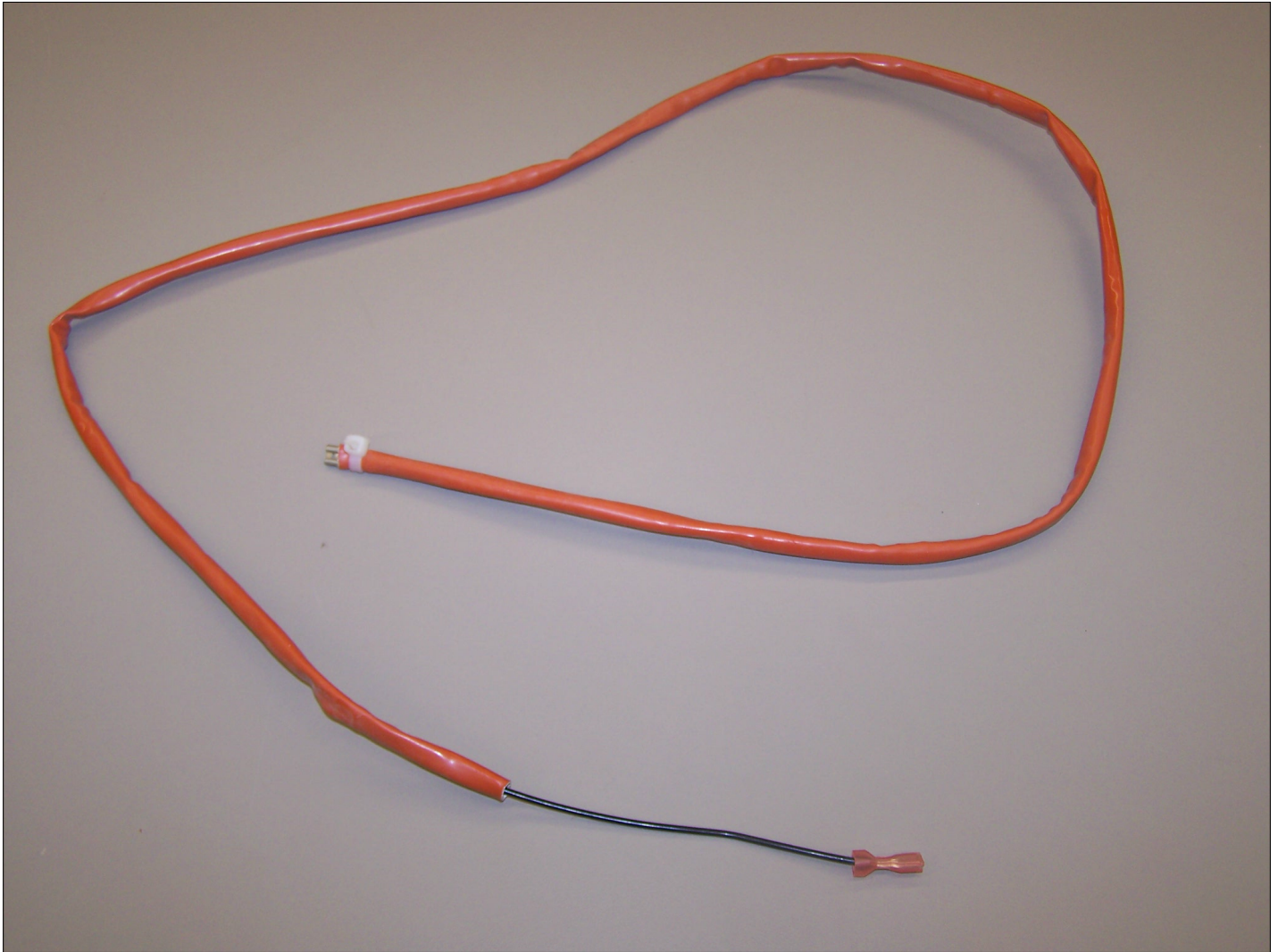




Item	Part No.	Name	Qty	Uom	NOTES
1	001914-000	WIRE, ASSY, BROIL IGNITOR	1	EA	



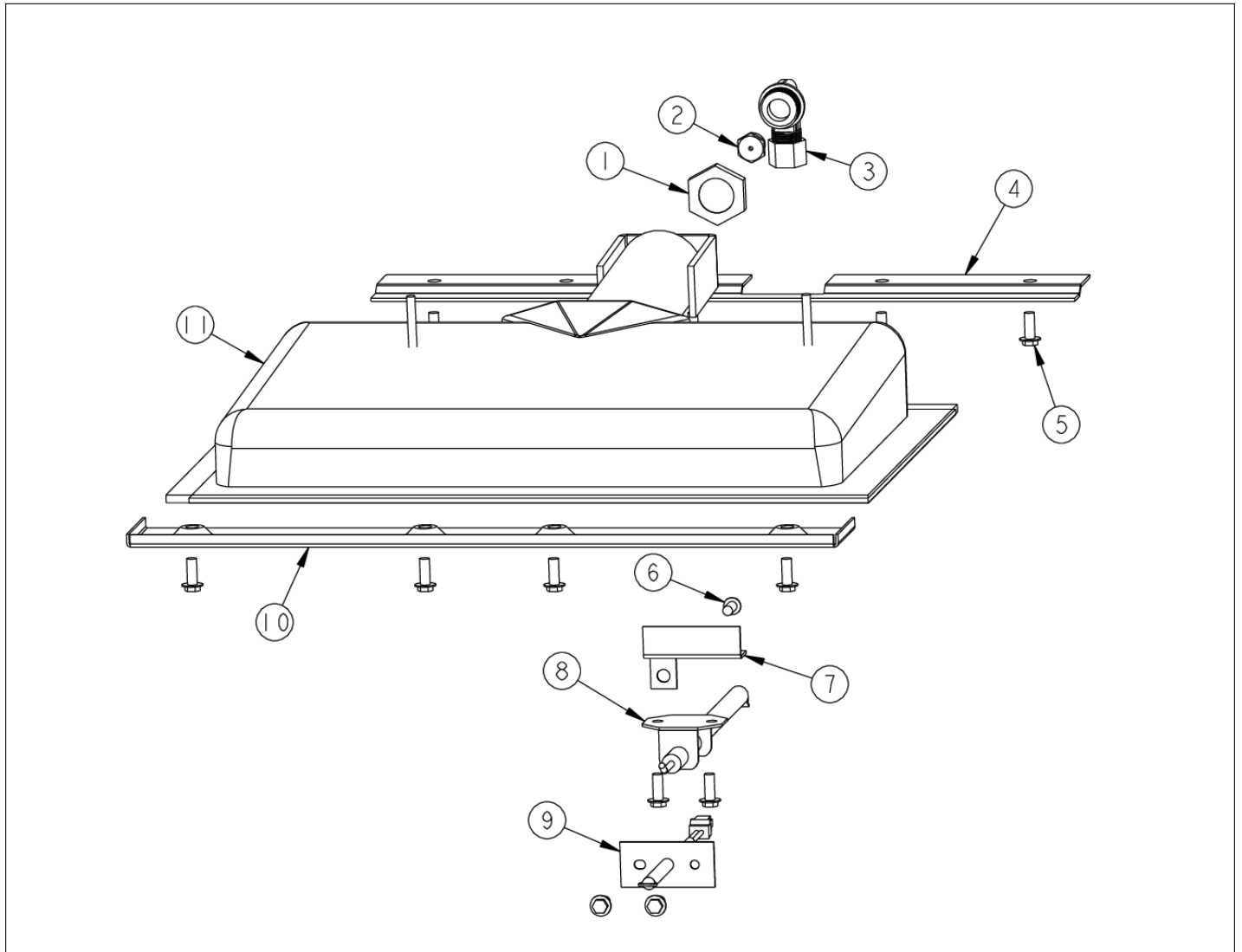
BAKE IGNITER WIRE





Item	Part No.	Name	Qty	Uom	NOTES
1	003143-000	BAKE IGNITOR WIRE 36"	1	EA	

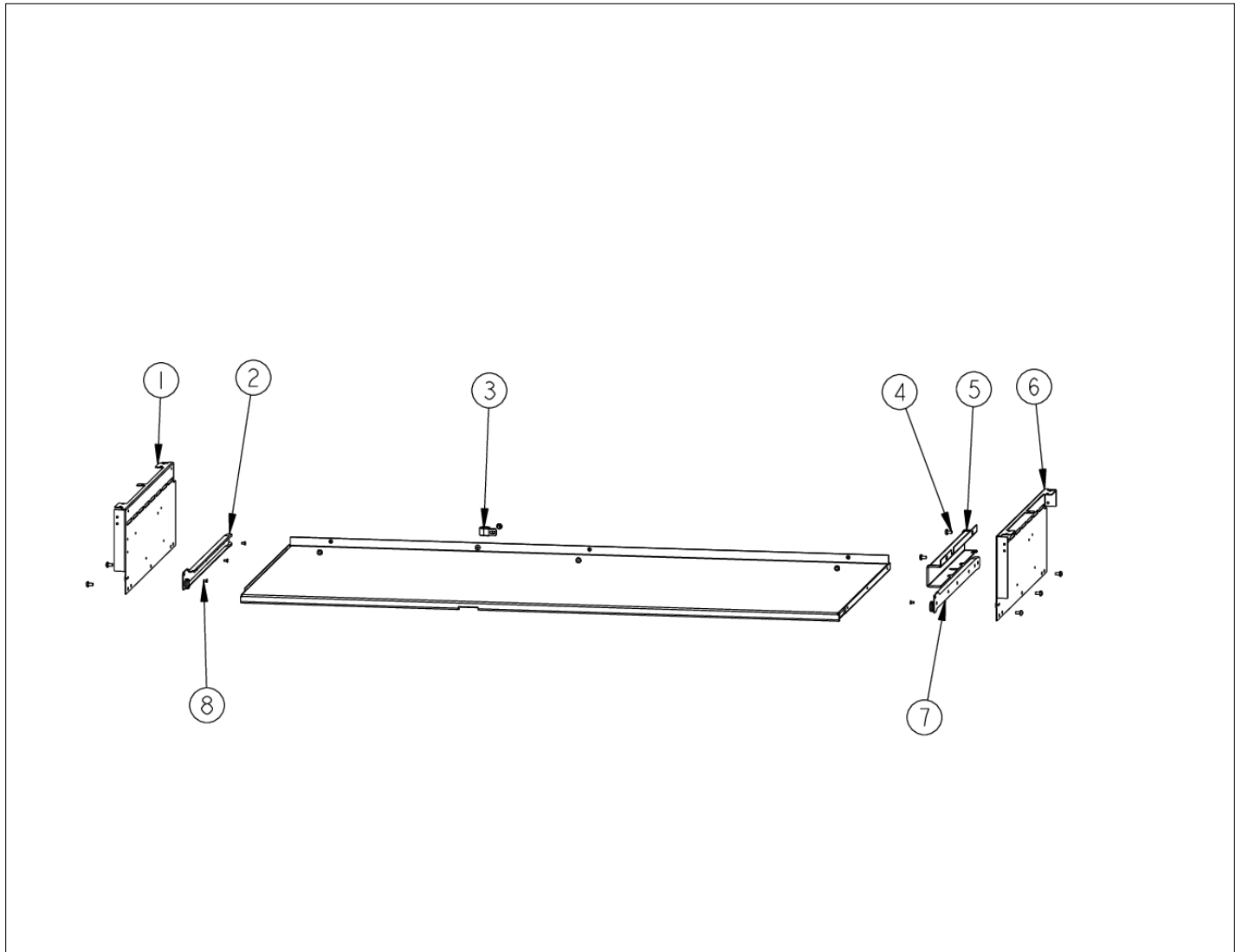
BROILER AREA





Item	Part No.	Name	Qty	Uom	NOTES
1	PD030018	PALNUT - 3/4-16	1	EA	
2	PB040040	ORIFICE-IR BURNER (VGSC)	1	EA	
Not Shown	PB040027	IR BUR.SPUD ORF. - #56 LP	1	EA	
3	PB040178	90 DEGREE ORIFICE FITTING (VGSC306)	1	EA	
4	B2005589	REAR BROILER BRACKET	1	EA	Not available online / Call for pricing and availability
5	PD020048	NO.10 X 1/2 TEK 410 SS SCREW	1	EA	
6	PD020060	10 X 1/2" (5/16)HEX WSHER HD.(T)A	1	EA	
7	001348-000	BROIL INSULATION RETAINER	1	EA	NO LONGER AVAILABLE
8	PB040171	BROIL IGNITION ELECTRODE	1	EA	
9	PE050206	RTD THERMOSTAT PROBE	1	EA	
10	B2001448	IR BROIL SUPT (FRONT)	1	EA	
11	G3001876	IR BURNER ASSY (VGSC/RC) N/S	1	EA	

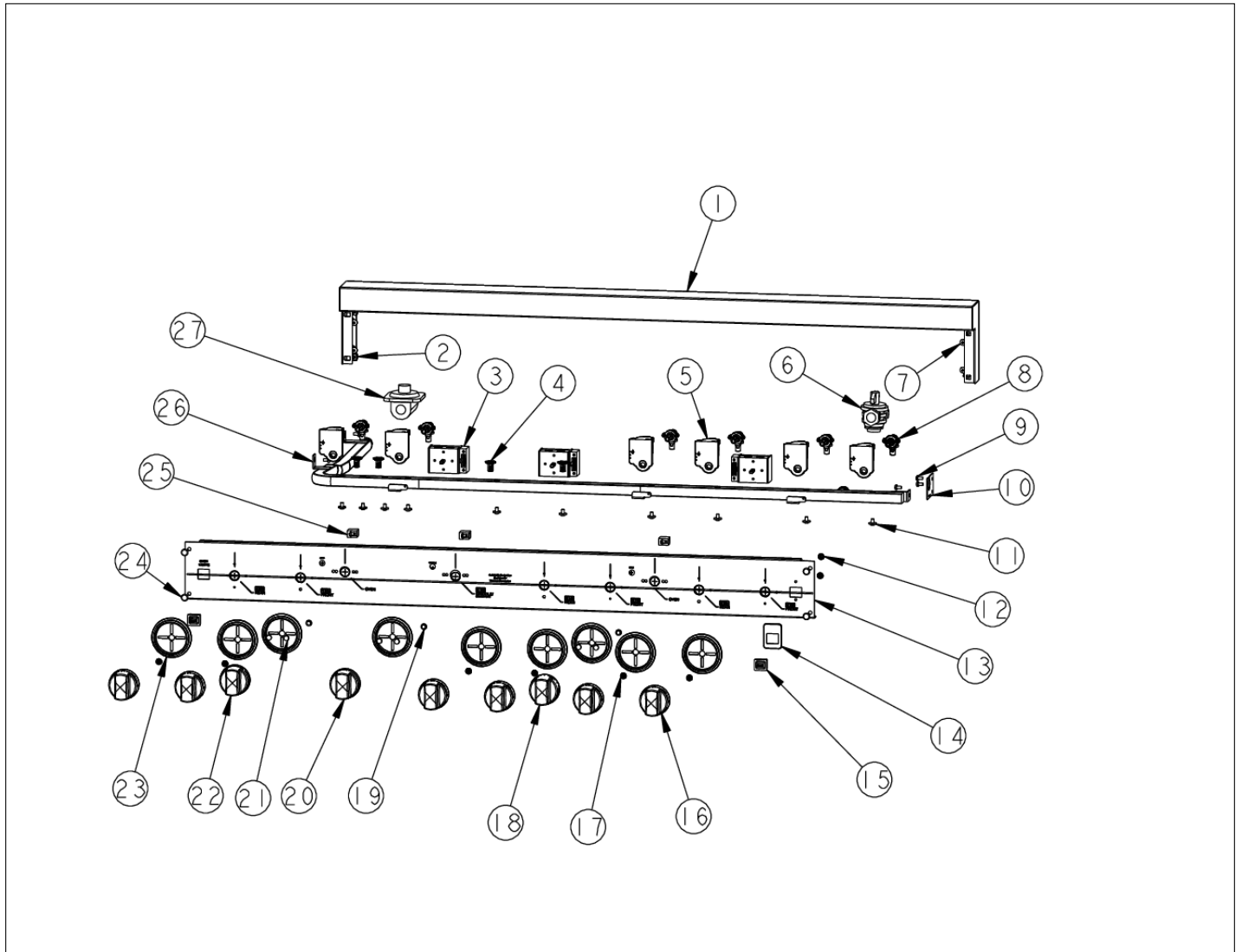
BURNER BOX INTERIOR



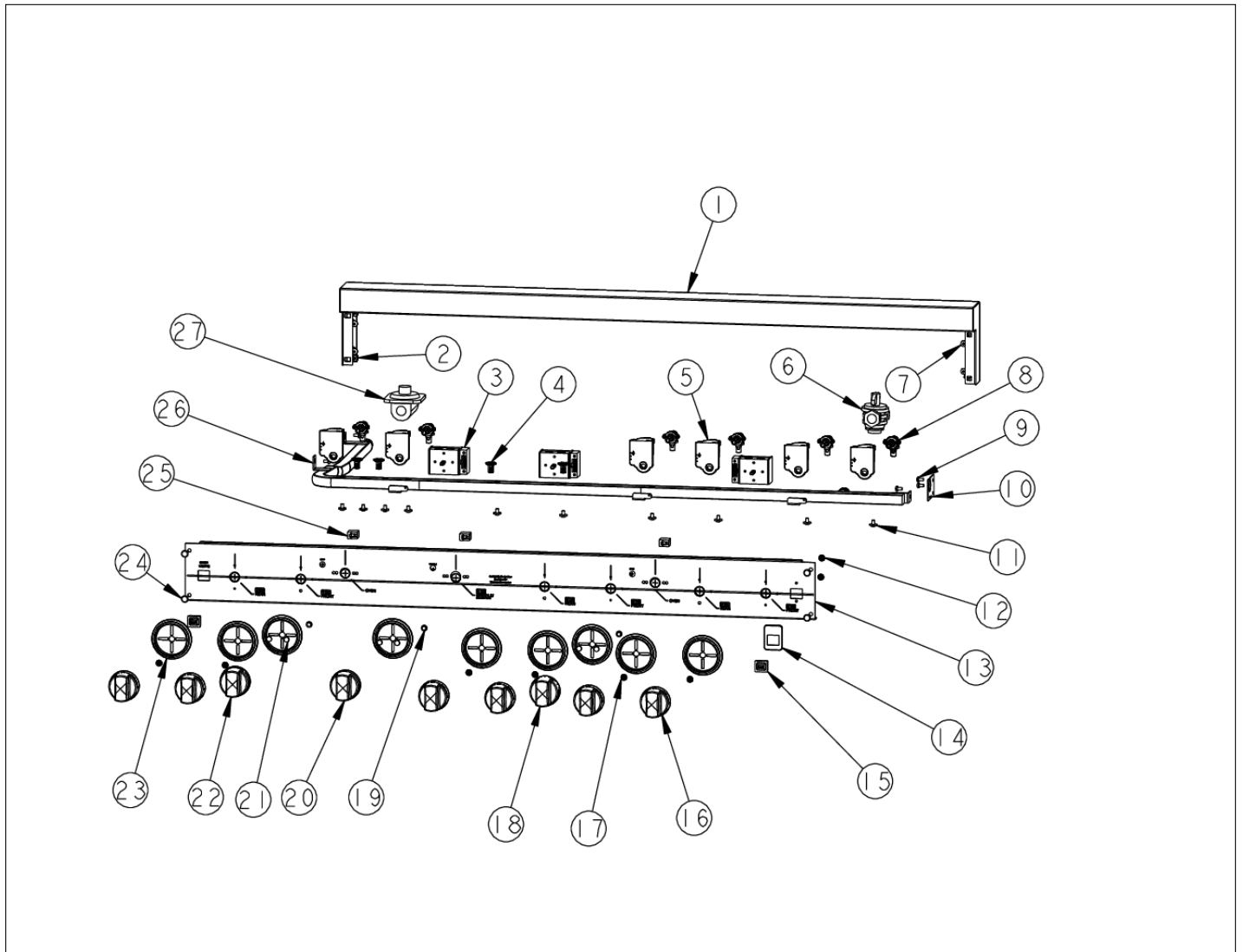


Item	Part No.	Name	Qty	Uom	NOTES
1	A2000210	WIRE CHANNEL	1	EA	NO LONGER AVAILABLE, Not available online / Call for pricing and availability
2	002888-000	BURNER BOX SIDE-RH	1	EA	NO LONGER AVAILABLE, Not available online / Call for pricing and availability
3	PD020004	10X3/8PH.HD.TYPE 25 REPL PD040125	1	EA	
4	PK000008	Drip Tray Guide - RH	1	EA	NO LONGER AVAILABLE
5	PC040010	POP RIVET (.063/GR -.125) GAMD42-A	1	EA	
6	PK000007	DRIP TRAY GUIDE - LH (VGRT)	1	EA	NO LONGER AVAILABLE
7	002889-000	BURNER BOX SIDE-LH	1	EA	NO LONGER AVAILABLE, Not available online / Call for pricing and availability

CONTROL AREA



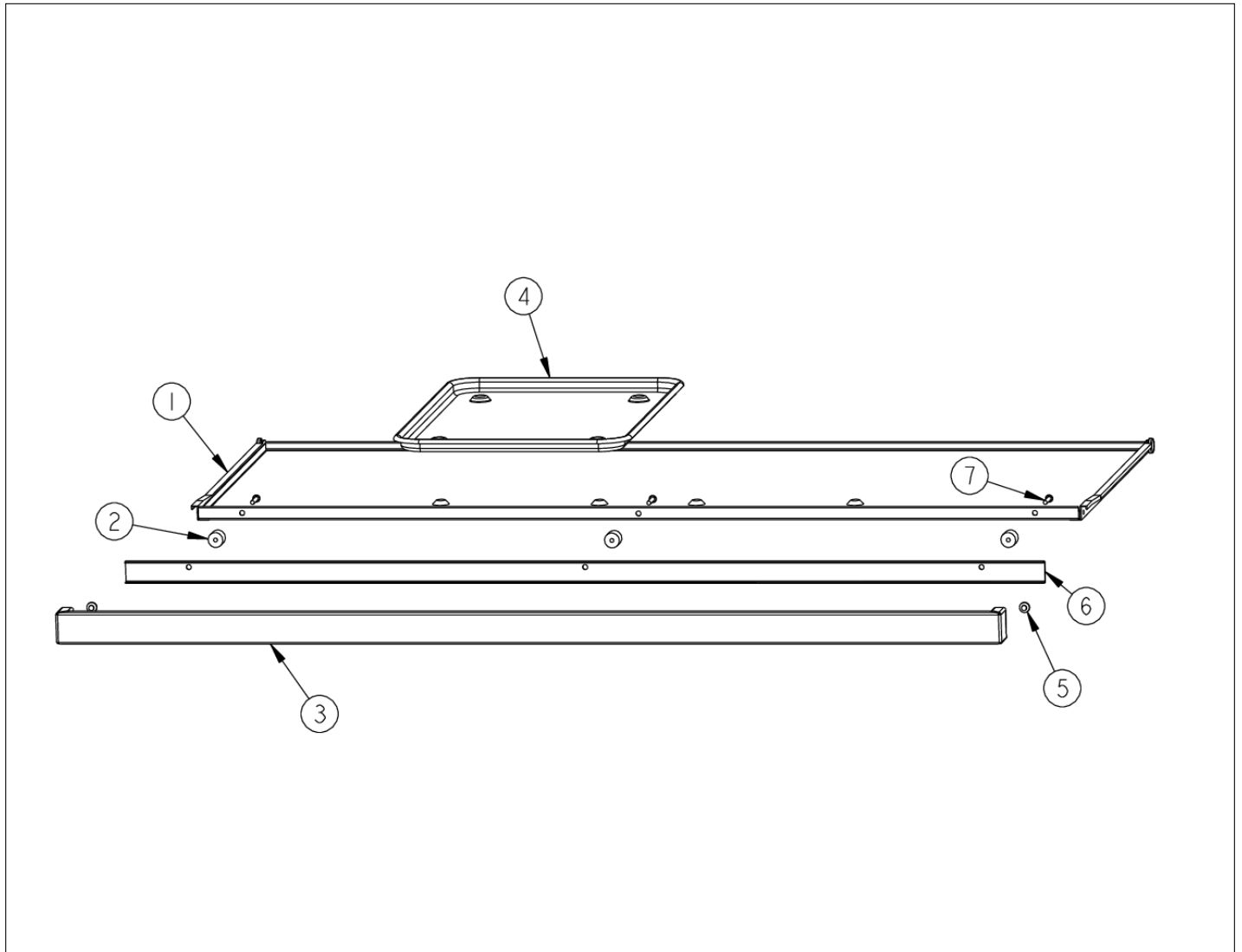
Item	Part No.	Name	Qty	Uom	NOTES
1	G3001584	LANDING LGD 48"	1	EA	
2	PD030029	SELF RETAINING NUT (1/4-20)	1	EA	
3	013213-000	TSTAT, SMPS, ELEC, 2-POS, .91" SHAFT, CB	1	EA	
4	002884-000	MANIFOLD PLUG	1	EA	
5	PA020058	IRIS SINGLE SPARK MODULE	1	EA	
6	PB030006	SHUT-OFF VALVE (VGSO166)	1	EA	
7	PD010003	10-24 X 1/2 PH.TR.HD.SERD.M.S.	1	EA	
8	003515-000	PA010157 VALVE AND BOLT KIT	1	EA	
Not Shown	000633-000	TOP BURNER VALVE - LP	1	EA	
9	PD020004	10X3/8PH.HD.TYPE 25 REPL PD040125	1	EA	
10	A1001138	MANIFOLD BRKT	1	EA	NO LONGER AVAILABLE, Not available online / Call for pricing and availability
11	PD010012	1/4 x 3/8 VALVE BOLT	1	EA	
12	PD030006	CAPPED WASHER PAL NUT	1	EA	
13	B9202374	CTRL PAN- (VGRC485-6G)*SLK SCR*	1	EA	
14	PE010081	CONVECTION-LABEL/PLATE (CHROME)	1	EA	
Not Shown	PE010082	CONVECTION-LABEL/PLATE (*BR*)	1	EA	
15	PE050016	OVEN LIGHT SWITCH - *BK* (WES-GAR)	1	EA	
16	PB010206	TOP BURNER KNOB BK	1	EA	
Not Shown	PB010207	TOP BURNER KNOB WH	1	EA	Not available online / Call for pricing and availability
17	PD020046	' #8 X 1/2 SCREWS	1	EA	
18	000447-000	THERMOSTAT KNOB SELF- CLEAN (BK)	1	EA	
Not Shown	000447-006	OVEN KNOB WITH BROIL(WH)	1	EA	
19	PE050023	OVEN IND. LIGHT (LENS & BEZEL)	1	EA	





Item	Part No.	Name	Qty	Uom	NOTES
20	000448-000	GRIDDLE KNOB *BK*	1	EA	
Not Shown	000448-006	GRIDDLE KNOB (WH) - NLA	1	EA	NO LONGER AVAILABLE
21	PD020044	#8-32 X 1/4" PH. TR. HD. M.S.	1	EA	
22	000381-000	OVEN KNOB W/O BROIL	1	EA	
Not Shown	000381-006	OVEN KNOB W/O BROIL (WH) - NLA	1	EA	NO LONGER AVAILABLE
23	050172-000	BEZEL, KNOB	1	EA	
Not Shown	PB010209	Bezel - BR	1	EA	
24	PD020033	SRW-#10-24X1/2"T(23)PH.WFR HD (NKL)	1	EA	
25	PE050024	OVEN IND. LIGHT (LIGHT HOUSING)	1	EA	
<p>Comments for Part Num. PE050024</p> <p>haarnink@vikingrange.com on Jan 14, 2019 please note that the indicator light is now part 043135-000 but needs the Jumper harness 051443-000. and second option there are units in the field with a 230V indicator light part number 036566-000.</p> <p>please check this for all "E" module ranges/Tops</p>					
26	000930-000	48" MANIFOLD - NLA	1	EA	
27	PA070003	PRESSURE REGULATOR	1	EA	

DRIP TRAY



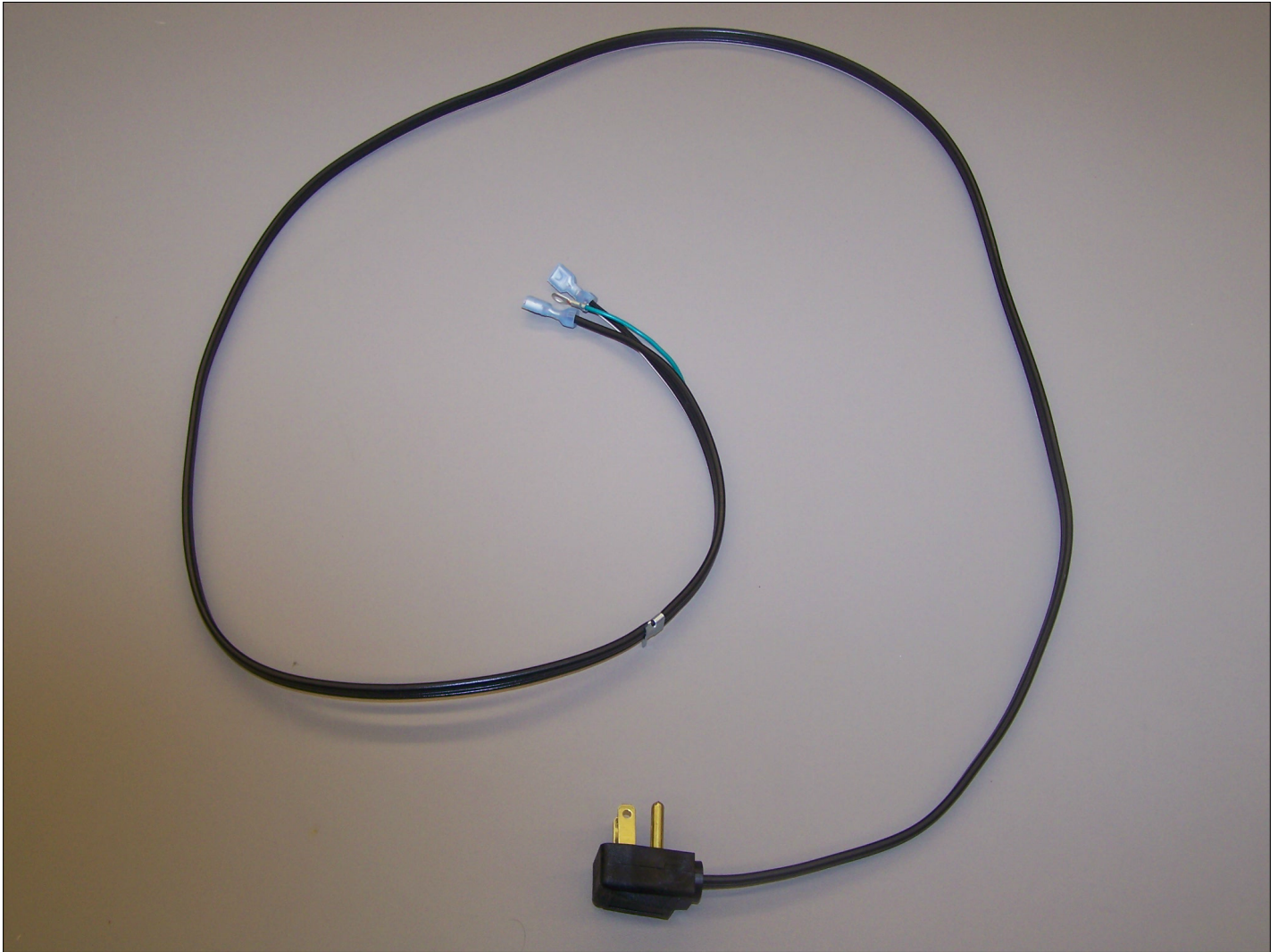


Item	Part No.	Name	Qty	Uom	NOTES
1	G30013336	48" DRIP TRAY ASSY. 6Q &4GQ - NLA	1	EA	
2	PD040028	BUSHING(.194ID/.750OD/.750L ONG)	1	EA	
3	G30010697	DRIP TRAY HANDLE ASSY 48"	1	EA	
Not Shown	G93011461PVD	DRIP TRAY HANDLE ASSY 48" PVD - NLA	1	EA	
4	J2101749	GREASE PAN	1	EA	
5	PD040004	GROMMET BUMPER	1	EA	
6	A20010693	DRIP TRAY HANDLE BACK 48	1	EA	
7	PD020079	#10 X 1 1/4 PH. PAN HD. T(A) NYLOK	1	EA	



VGIC486-6G

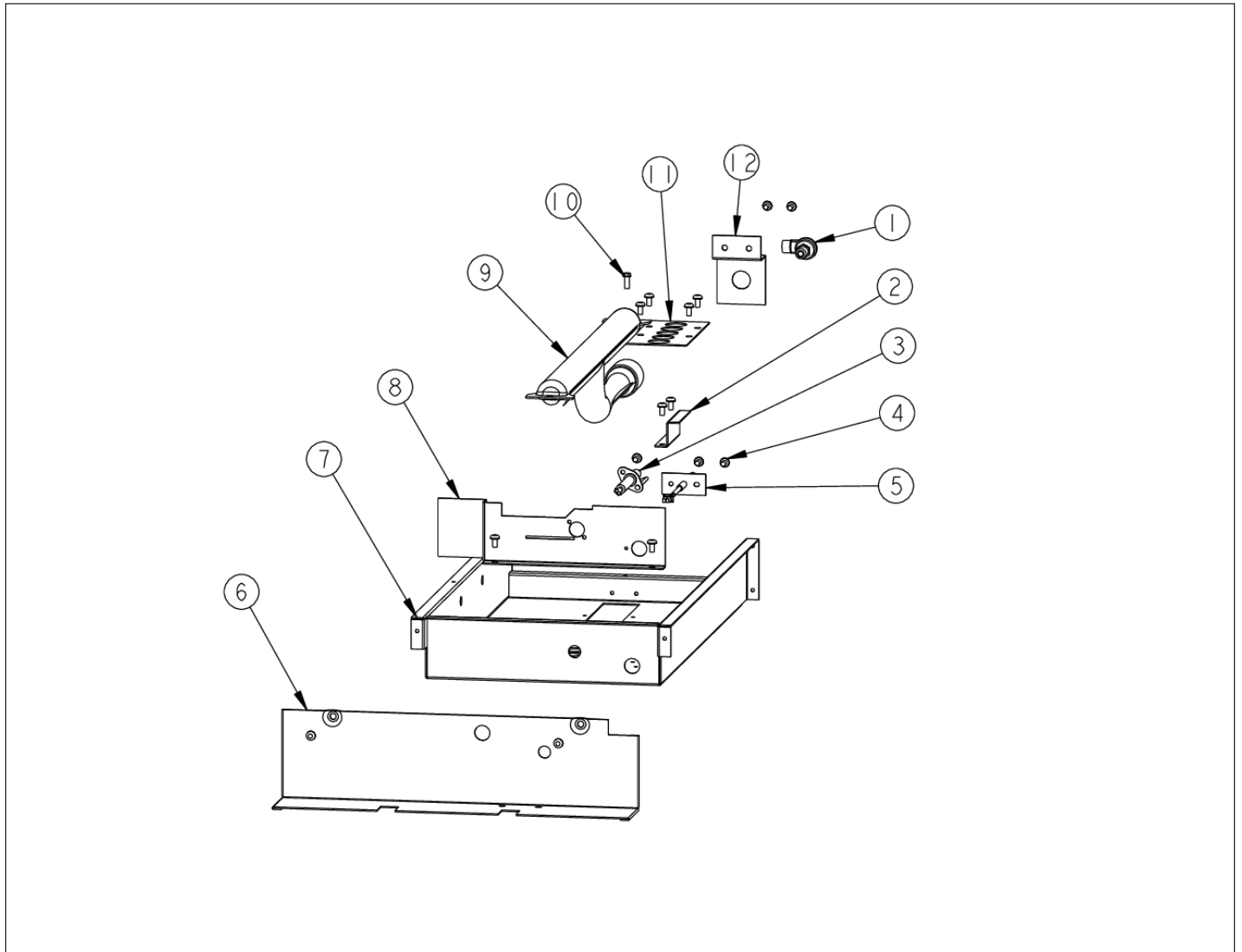
G4008493 SUPPLY CORD





Item	Part No.	Name	Qty	Uom	NOTES
1	G4008493	SUPPLY CORD ASSY- VGSU	1	EA	

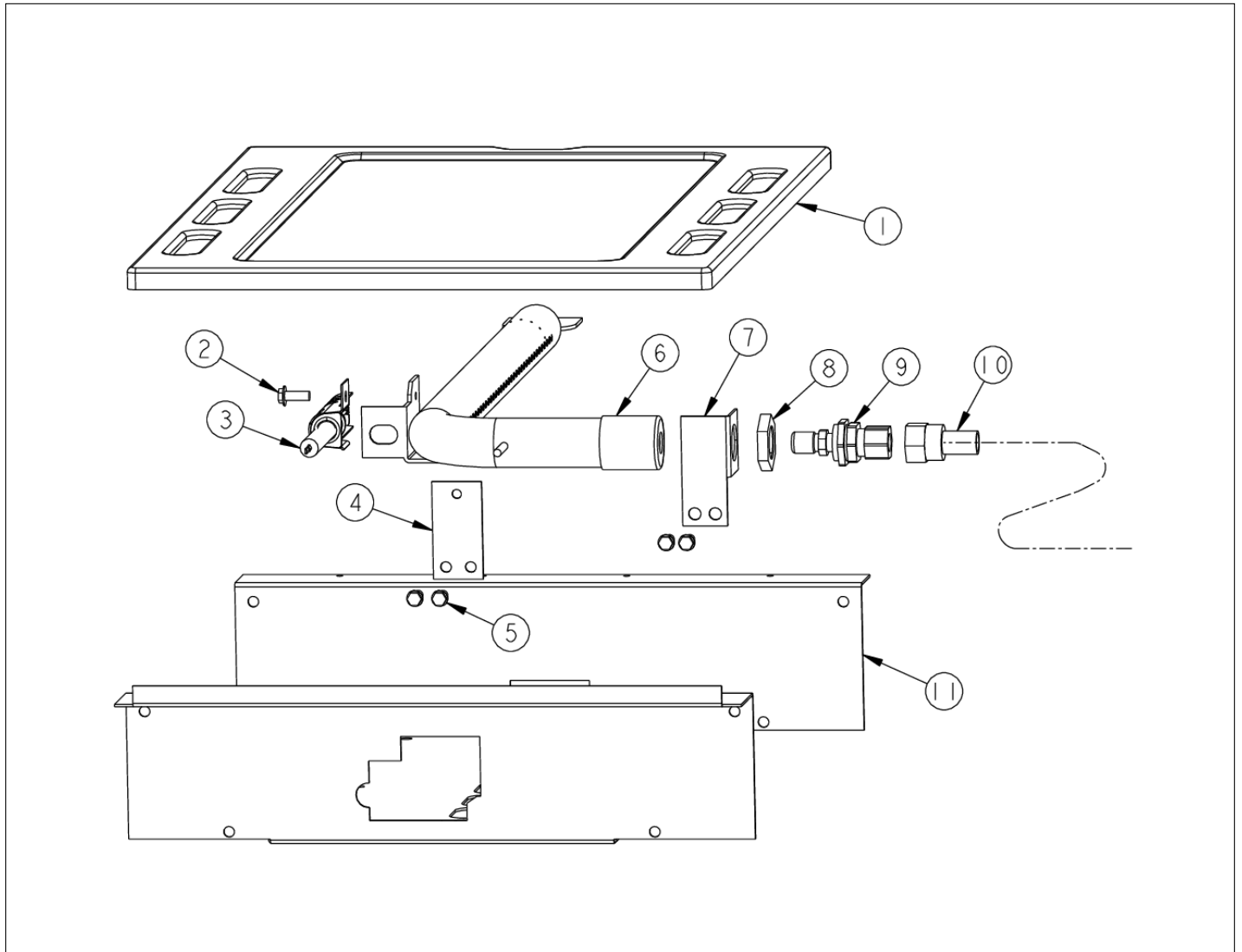
GRIDDLE SUBASSEMBLY





Item	Part No.	Name	Qty	Uom	NOTES
1	PB040190	90 DEGREE ORIFICE FITTING #50 NAT	1	EA	
2	000971-000	RTD GRIDDLE SHIELD - NLA	1	EA	NO LONGER AVAILABLE
3	008090-000	PB040287 IGNITOR KIT	1	EA	
4	PD020004	10X3/8PH.HD.TYPE 25 REPL PD040125	1	EA	
5	PE050206	RTD THERMOSTAT PROBE	1	EA	
6	001361-000	THERMOSTAT COVER	1	EA	NO LONGER AVAILABLE, Not available online / Call for pricing and availability
7	001437-000	GRIDDLE BOX	1	EA	NO LONGER AVAILABLE, Not available online / Call for pricing and availability
8	001436-000	GRIDDLE HEAT BAFFLE	1	EA	NO LONGER AVAILABLE, Not available online / Call for pricing and availability
9	PDB050077	GRIDDLE/GRILL BURNER	1	EA	Not available online / Call for pricing and availability
10	PD020060	10 X 1/2" (5/16)HEX WSHER HD.(T)A	1	EA	
11	A1007861	Griddle Venturi Cover	1	EA	Not available online / Call for pricing and availability
12	001625-000	GRIDDLE ORIFICE BRACKET	1	EA	NO LONGER AVAILABLE, Not available online / Call for pricing and availability

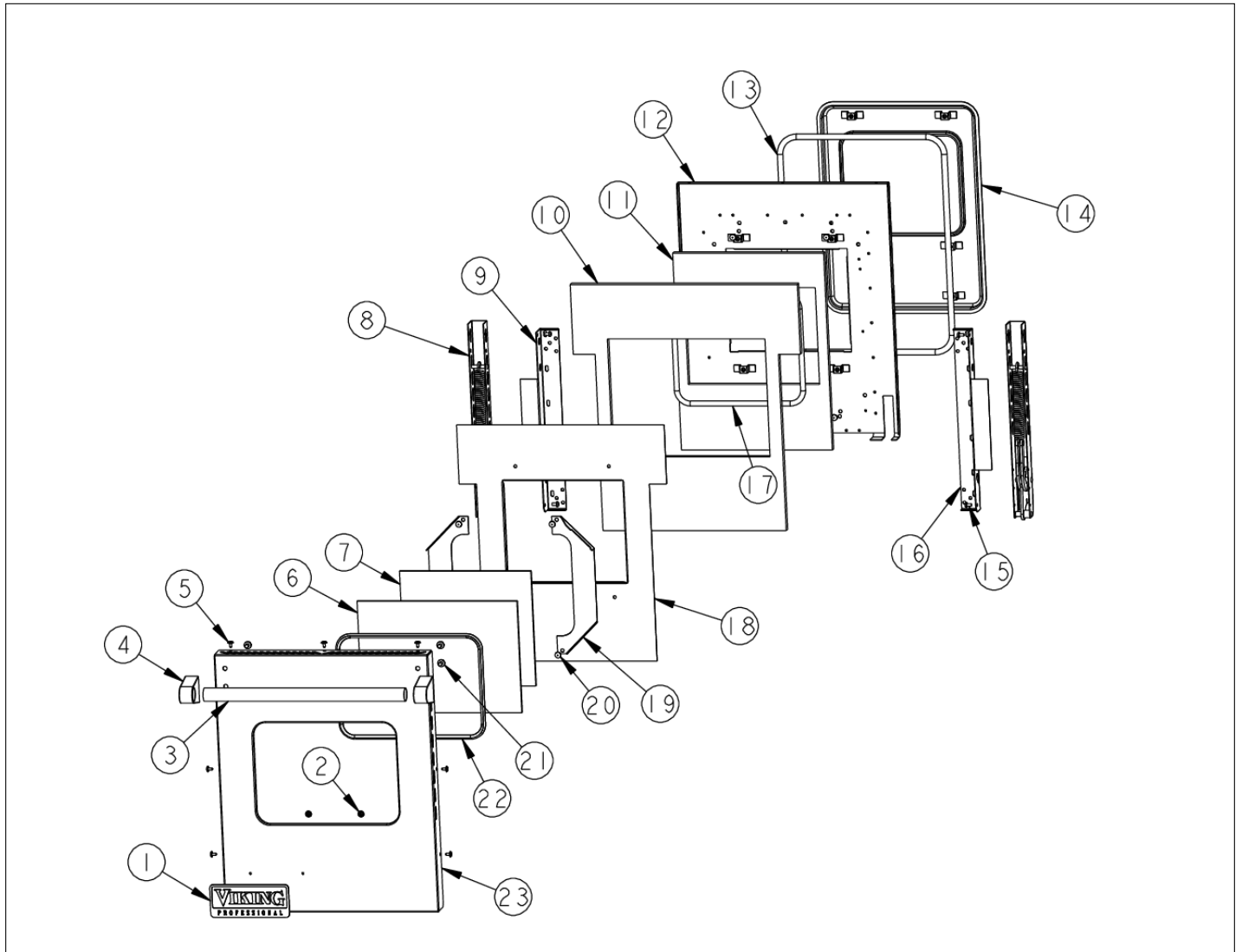
LH BAKE BURNER AREA





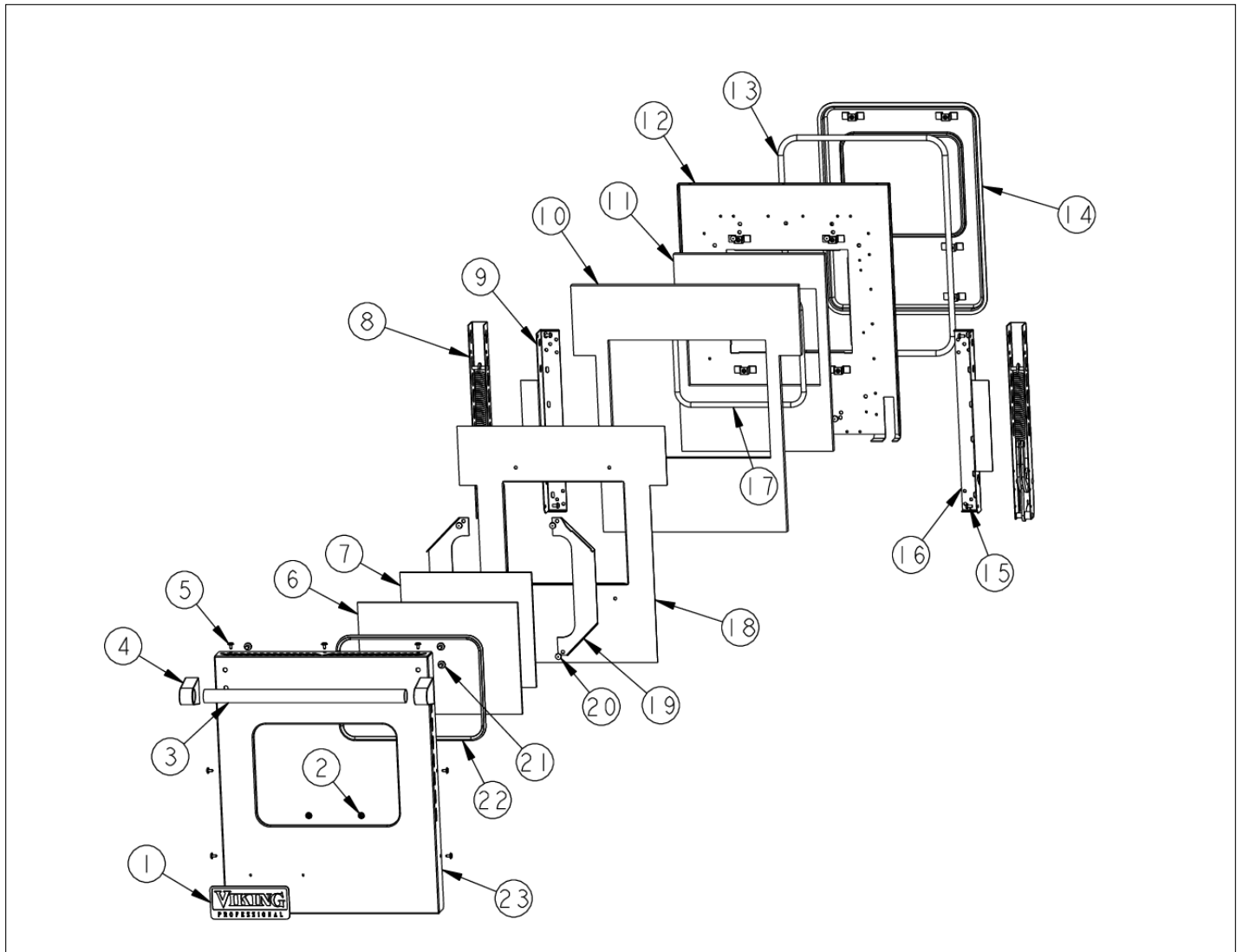
Item	Part No.	Name	Qty	Uom	NOTES
1	068457-000	ASM, BOTTOM, CAVITY OVEN GAS 18" GRAY		EA	
Not Shown	NOTE	(INCLUDES HEAT SHIELD)		EA	
2	PD020048	NO.10 X 1/2 TEK 410 SS SCREW		EA	
3	PB040273	BAKE IGNITION ELECTRODE		EA	
4	A1005571	BURNER MOUNTING BRACKET		EA	NO LONGER AVAILABLE
5	PD020060	10 X 1/2" (5/16)HEX WSHR HD.(T)A		EA	
6	PB050080	VGSC486 LH OVEN BURNER		EA	
Not Shown	000642-000	VGSC486 LH OVEN BURNER - LP		EA	
7	A2005579	ORIFICE BRACKET 48LH		EA	NO LONGER AVAILABLE, Not available online / Call for pricing and availability
8	PD030018	PALNUT - 3/4-16		EA	
9	PB040229	BULKHEAD FITTING (VGSC486LH)		EA	
Not Shown	PB040062	ORIFICE HOOD-#56		EA	
10	PB020136	44" 3/8 S.S. FLEX TUBING T6-44		EA	
11	A20010139	48" LH CAVITY BOTTOM		EA	NO LONGER AVAILABLE, Not available online / Call for pricing and availability

LH DOOR ASSEMBLY

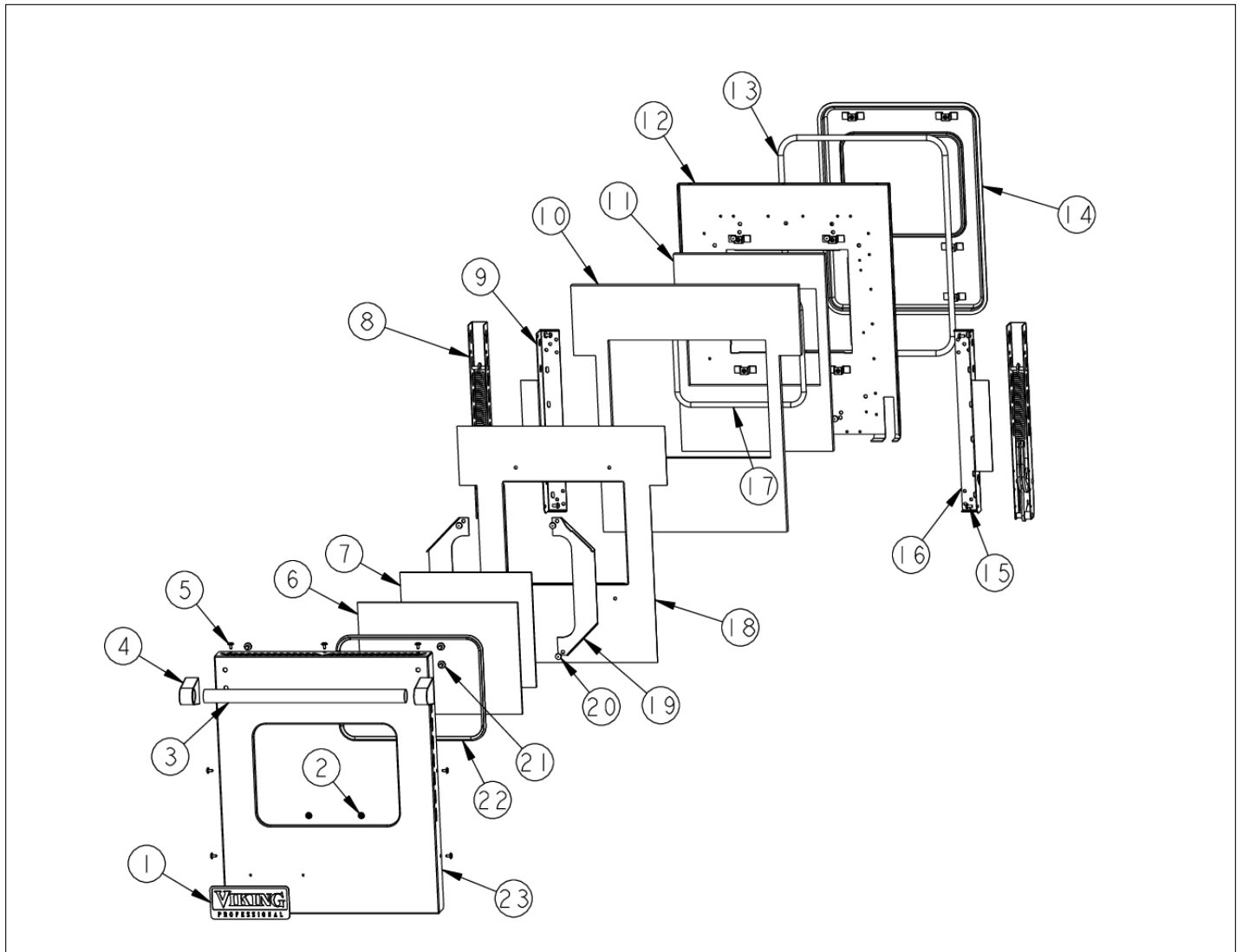




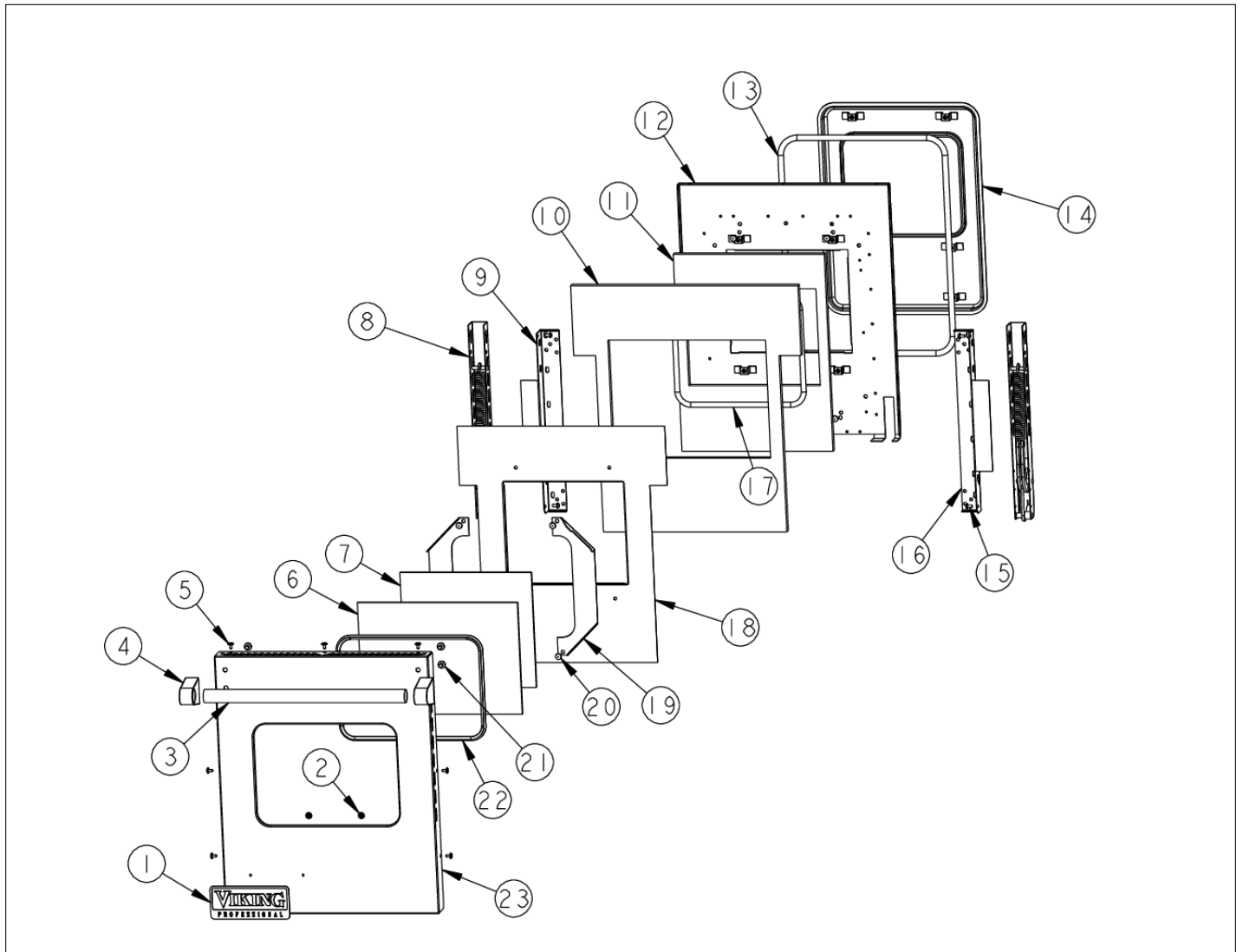
Item	Part No.	Name	Qty	Uom	NOTES
1	PE010030	LOGO	1	EA	
Not Shown	PE010068	LOGO 6" (VGRC) BK/BR	1	EA	
Not Shown	PE010031	LOGO 6" (VGRC) *BK/WH*	1	EA	NO LONGER AVAILABLE
Not Shown	PE010076	LOGO 6" (VGRC) *BR/WH*	1	EA	NO LONGER AVAILABLE
2	PD030006	CAPPED WASHER PAL NUT	1	EA	
3	PE030008	DOOR HANDLE - LH 48VGRC	1	EA	
PE030014	PE030014PVD	DOOR HANDLE - LH - (48") PVD	1	EA	
4	000268-000	HANDLE ENDCAP	1	EA	
Not Shown	PE030001PVD	END CAP DOOR HANDLE *BR	1	EA	
5	PD020032	SRW-8(A)X3/8"PH.WFR HD 7/16DIA*NICL	1	EA	
6	PE060049	GLASS LH *TE* DF48DOOR	1	EA	
7	PE060032	GLASS (HEAT BARRIER) LH DF48DOOR	1	EA	
8	PC020222	DOOR HINGE (SHORT SPRING) NSF	1	EA	
9	000932-000	DOOR HINGE BRACKET	1	EA	Not available online / Call for pricing and availability
10	PB070145	SUPERWOOL 5" X 24" X 3'	1	EA	
11	PB070145	SUPERWOOL 5" X 24" X 3'	1	EA	
12	001144-000	LINER, DOOR, PORCELAIN 48 LH	1	EA	NO LONGER AVAILABLE, Not available online / Call for pricing and availability
13	000080-000	48" LH DOOR GASKET	1	EA	
14	001145-000	PLUG, DOOR, PORCELAIN, 48 LH (Before 12/20/2012)	1	EA	
15	PD020004	10X3/8PH.HD.TYPE 25 REPL PD040125	1	EA	
16	000075-000	DOOR HINGE BRACKET	1	EA	Not available online / Call for pricing and availability
17	000594-000	BLACK FIBERGLASS ROPE 3/8	1	EA	



Item	Part No.	Name	Qty	Uom	NOTES
18	000939-000	INNER DOOR HEAT SINK	1	EA	NO LONGER AVAILABLE, Not available online / Call for pricing and availability
19	E9102668	WINDOW BRKT (O/S DOOR GLASS)	1	EA	Not available online / Call for pricing and availability
20	PD020002	10 X 1/2 PH.TR.HD.SMS.	1	EA	
21	PD010019	BLT-1/4-20X3/8"HEX WASHER SERATED	1	EA	
22	PE060046	J-MOLD LH SS (DF48 DOOR)	1	EA	
Not Shown	PE060048	J-MOLD LH *BR* (DF48 DOOR)	1	EA	NO LONGER AVAILABLE
23	B2002504	O/S DOOR PANEL LH *SS* (VDSC48)	1	EA	
Not Shown	C9002504AL	O/S DOOR PANEL-LH *AL* (VDSC48)	1	EA	NO LONGER AVAILABLE, Not available online / Call for pricing and availability
Not Shown	C9002504BK	O/S DOOR PANEL-LH *BK* (VDSC48)	1	EA	
Not Shown	C9002504BT	O/S DOOR PANEL-LH *BT* (VDSC48)	1	EA	NO LONGER AVAILABLE
Not Shown	C9002504BU	O/S DOOR PANEL-LH *BU* (VDSC48)	1	EA	
Not Shown	C9002504CB	O/S DOOR PANEL-LH *CB* (VDSC48)	1	EA	NO LONGER AVAILABLE
Not Shown	C9002504EP	O/S DOOR PANEL-LH *EP* (VDSC48)	1	EA	NO LONGER AVAILABLE, Not available online / Call for pricing and availability
Not Shown	C9002504FG	O/S DOOR PANEL-LH *FG* (VDSC48)	1	EA	NO LONGER AVAILABLE, Not available online / Call for pricing and availability
Not Shown	C9002504GG	O/S DOOR PANEL-LH *GG* (VDSC48)	1	EA	
Not Shown	C9002504LE	O/S DOOR PANEL-LH *LE* (VDSC48)	1	EA	NO LONGER AVAILABLE
Not Shown	C9002504MJ	O/S DOOR PANEL-LH *MJ* (VDSC48)	1	EA	NO LONGER AVAILABLE, Not available online / Call for pricing and availability

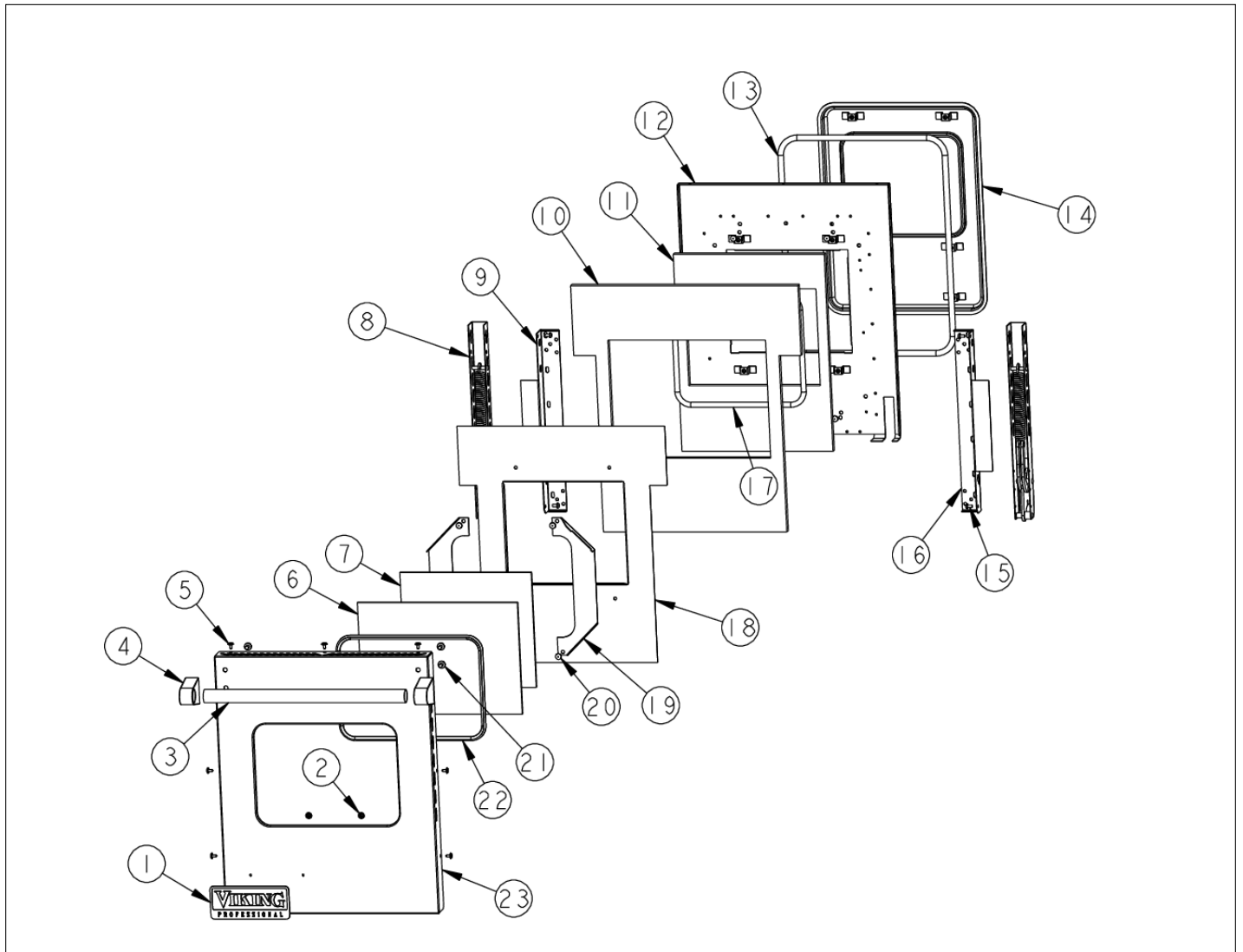


Item	Part No.	Name	Qty	Uom	NOTES
Not Shown	C9002504SG	O/S DOOR PANEL-SG *SG* (VDSC48)	1	EA	Not available online / Call for pricing and availability
Not Shown	C9002504VB	O/S DOOR PANEL-LH*VB* (VDSC48)	1	EA	NO LONGER AVAILABLE, Not available online / Call for pricing and availability
Not Shown	C9002504WH	O/S DOOR PANEL-LH *WH* (VDSC48)	1	EA	
NI	000946-007	COMPLETE DOOR ASSY. - AL	1	EA	Not available online / Call for pricing and availability
Not Shown	000946-107	COMPLETE DOOR ASSY. - ALBR	1	EA	Not available online / Call for pricing and availability
Not Shown	000946-002	COMPLETE DOOR ASSY. - BK	1	EA	Not available online / Call for pricing and availability
Not Shown	000946-102	COMPLETE DOOR ASSY. - BKBR	1	EA	Not available online / Call for pricing and availability
Not Shown	000946-003	COMPLETE DOOR ASSY. - BT	1	EA	Not available online / Call for pricing and availability
Not Shown	000946-103	COMPLETE DOOR ASSY. - BTBR	1	EA	Not available online / Call for pricing and availability
Not Shown	000946-008	COMPLETE DOOR ASSY. - BU	1	EA	Not available online / Call for pricing and availability
Not Shown	000946-108	COMPLETE DOOR ASSY. - BUBR	1	EA	Not available online / Call for pricing and availability
Not Shown	000946-013	COMPLETE DOOR ASSY. - CB	1	EA	Not available online / Call for pricing and availability
Not Shown	000946-113	COMPLETE DOOR ASSY. - CBBR	1	EA	Not available online / Call for pricing and availability





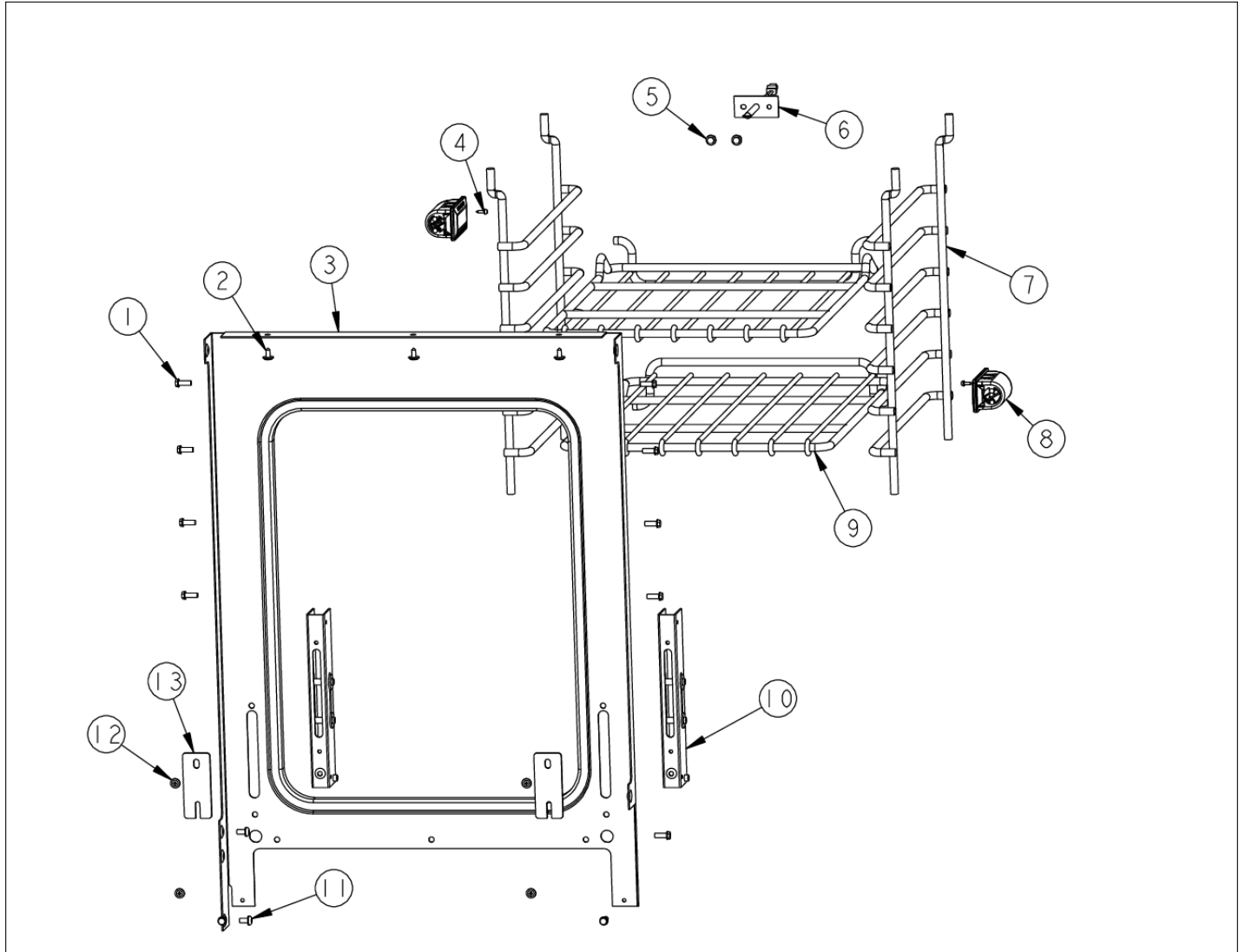
Item	Part No.	Name	Qty	Uom	NOTES
Not Shown	000946-014	COMPLETE DOOR ASSY. - EP	1	EA	Not available online / Call for pricing and availability
Not Shown	000946-114	COMPLETE DOOR ASSY. - EPBR	1	EA	Not available online / Call for pricing and availability
Not Shown	000946-011	COMPLETE DOOR ASSY. - FG	1	EA	Not available online / Call for pricing and availability
Not Shown	000946-111	COMPLETE DOOR ASSY. - FGBR	1	EA	Not available online / Call for pricing and availability
Not Shown	000946-005	COMPLETE DOOR ASSY. - GG	1	EA	Not available online / Call for pricing and availability
Not Shown	000946-105	COMPLETE DOOR ASSY. - GGBR	1	EA	Not available online / Call for pricing and availability
Not Shown	000946-009	COMPLETE DOOR ASSY. - LE	1	EA	Not available online / Call for pricing and availability
Not Shown	000946-109	COMPLETE DOOR ASSY. - LEBR	1	EA	Not available online / Call for pricing and availability
Not Shown	000946-010	COMPLETE DOOR ASSY. - MJ	1	EA	Not available online / Call for pricing and availability
Not Shown	000946-110	COMPLETE DOOR ASSY. - MJBR	1	EA	Not available online / Call for pricing and availability
Not Shown	000946-004	COMPLETE DOOR ASSY. - SG	1	EA	Not available online / Call for pricing and availability
Not Shown	000946-104	COMPLETE DOOR ASSY. - SGBR	1	EA	Not available online / Call for pricing and availability
Not Shown	000946-000	DOOR ASSY 48" LH - NLA	1	EA	NO LONGER AVAILABLE





Item	Part No.	Name	Qty	Uom	NOTES
Not Shown	000946-100	DOOR ASSEMBLY, 48" LH (BR)	1	EA	NO LONGER AVAILABLE, Not available online / Call for pricing and availability
Not Shown	000946-012	COMPLETE DOOR ASSY. - VB	1	EA	Not available online / Call for pricing and availability
Not Shown	000946-112	COMPLETE DOOR ASSY. - VBBR	1	EA	Not available online / Call for pricing and availability
Not Shown	000946-006	COMPLETE DOOR ASSY. - WH	1	EA	Not available online / Call for pricing and availability
Not Shown	000946-106	COMPLETE DOOR ASSY. - WHBR	1	EA	Not available online / Call for pricing and availability

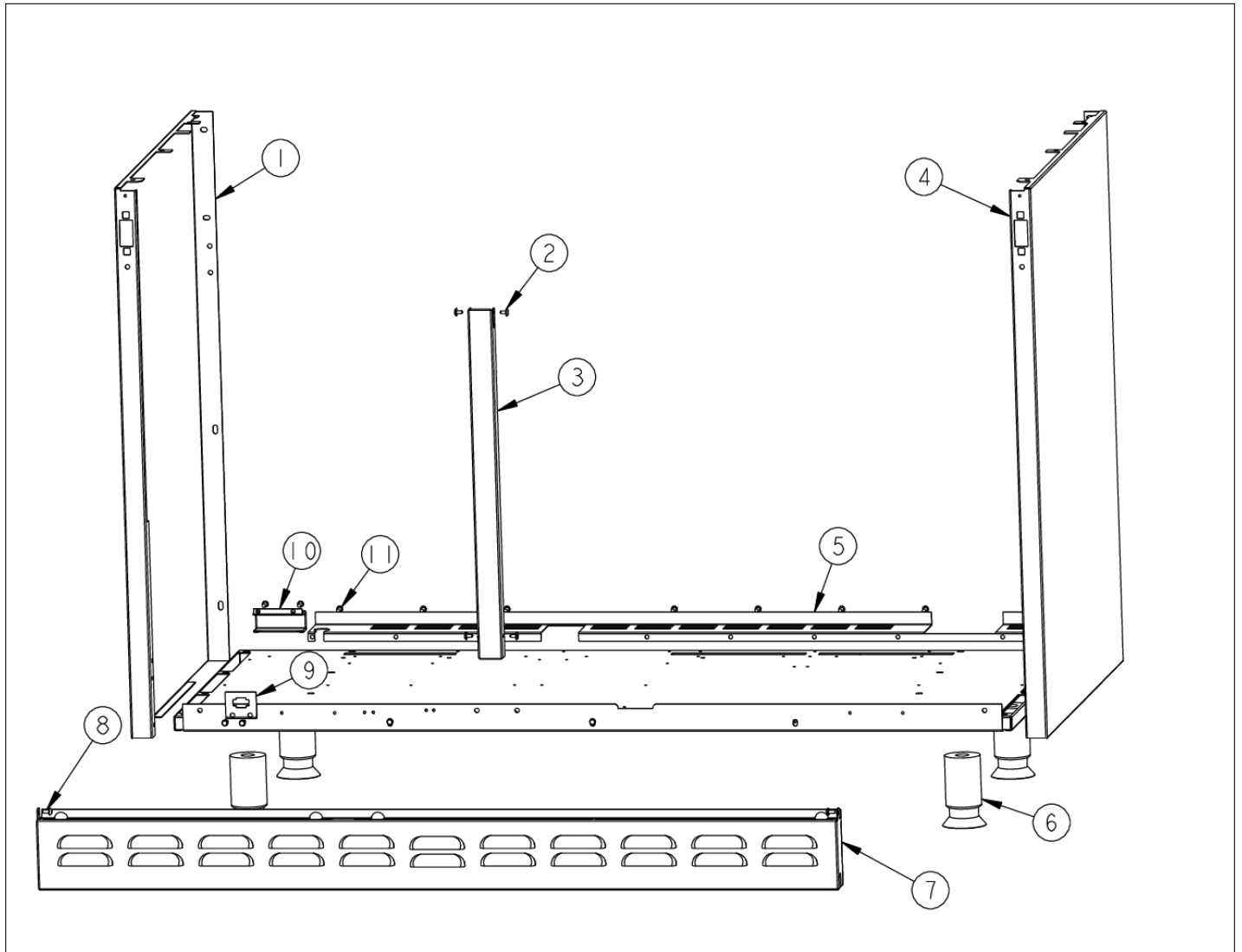
LH OVEN MAIN CAVITY





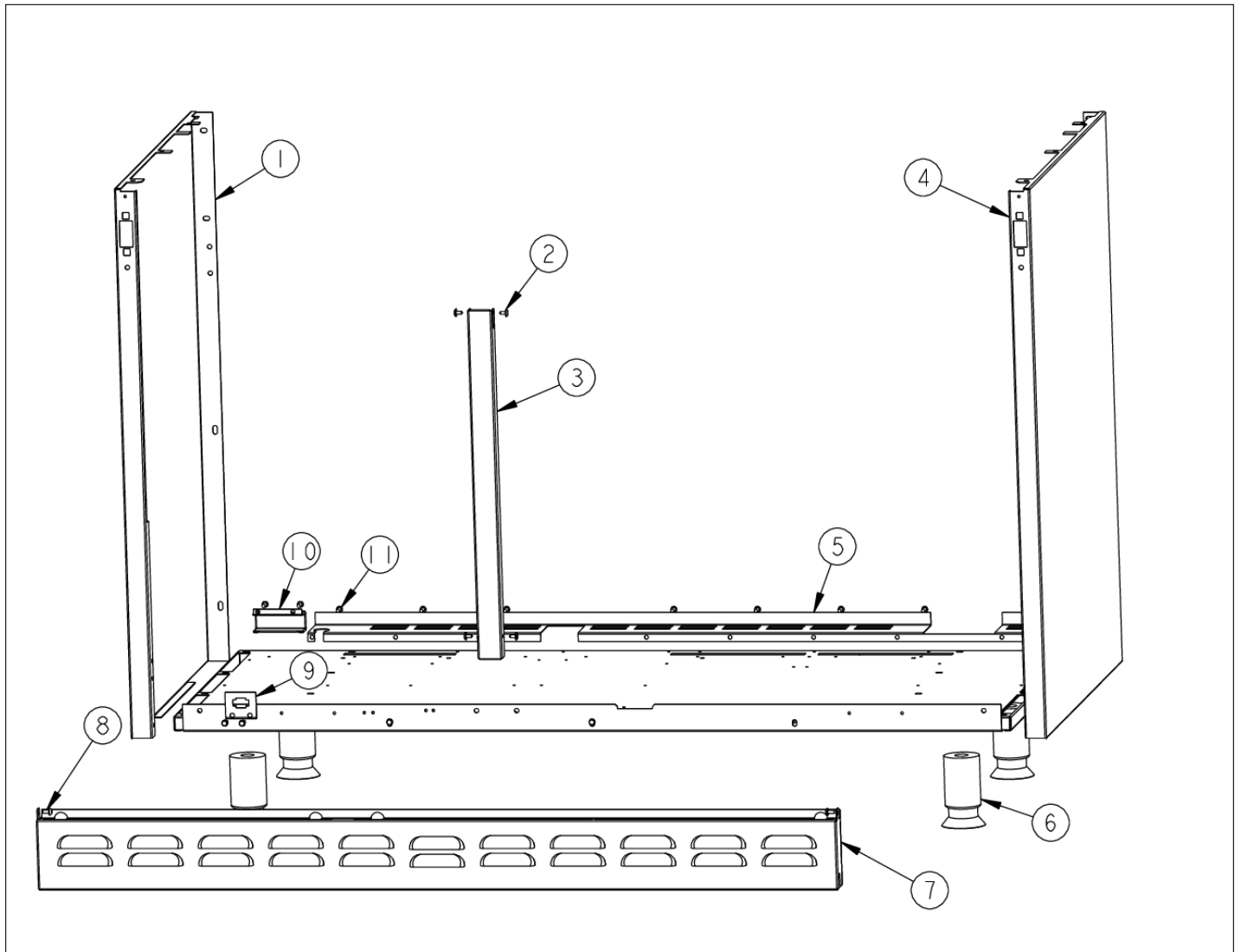
Item	Part No.	Name	Qty	Uom	NOTES
1	PD020060	10 X 1/2" (5/16)HEX WSHER HD.(T)A	1	EA	
2	PD020032	SRW-8(A)X3/8"PH.WFR HD 7/16DIA*NICL	1	EA	
3	001014-000	FRONT FRAME 48 LH WELD ASSY	1	EA	NO LONGER AVAILABLE, Not available online / Call for pricing and availability
4	PD020013	TYPE "AB" #6 X 3/8 PH PAN HD. SMS	1	EA	
5	PD020048	NO.10 X 1/2 TEK 410 SS SCREW	1	EA	
6	PE050206	RTD THERMOSTAT PROBE	1	EA	
7	PB060030	RACK SUPT REPL PB060010	1	EA	
8	005311-000	LAMP, OVEN, 120V/25W	1	EA	
9	PB060046	OVEN RK VDSC48-LH REPL PB060023	1	EA	
10	PC020295	HINGE RECEIVER ASSEMBLY	1	EA	
11	PD020004	10X3/8PH.HD.TYPE 25 REPL PD040125	1	EA	
12	003083-000	#8-18 x 1/2" PHIL FLAT TOP TRUSS HD AB SCREW	1	EA	
13	B1007913	HINGE CLIP (DESIGNER TIME PIECE)	1	EA	

LOWER UNIT AREA AND SIDE PANELS



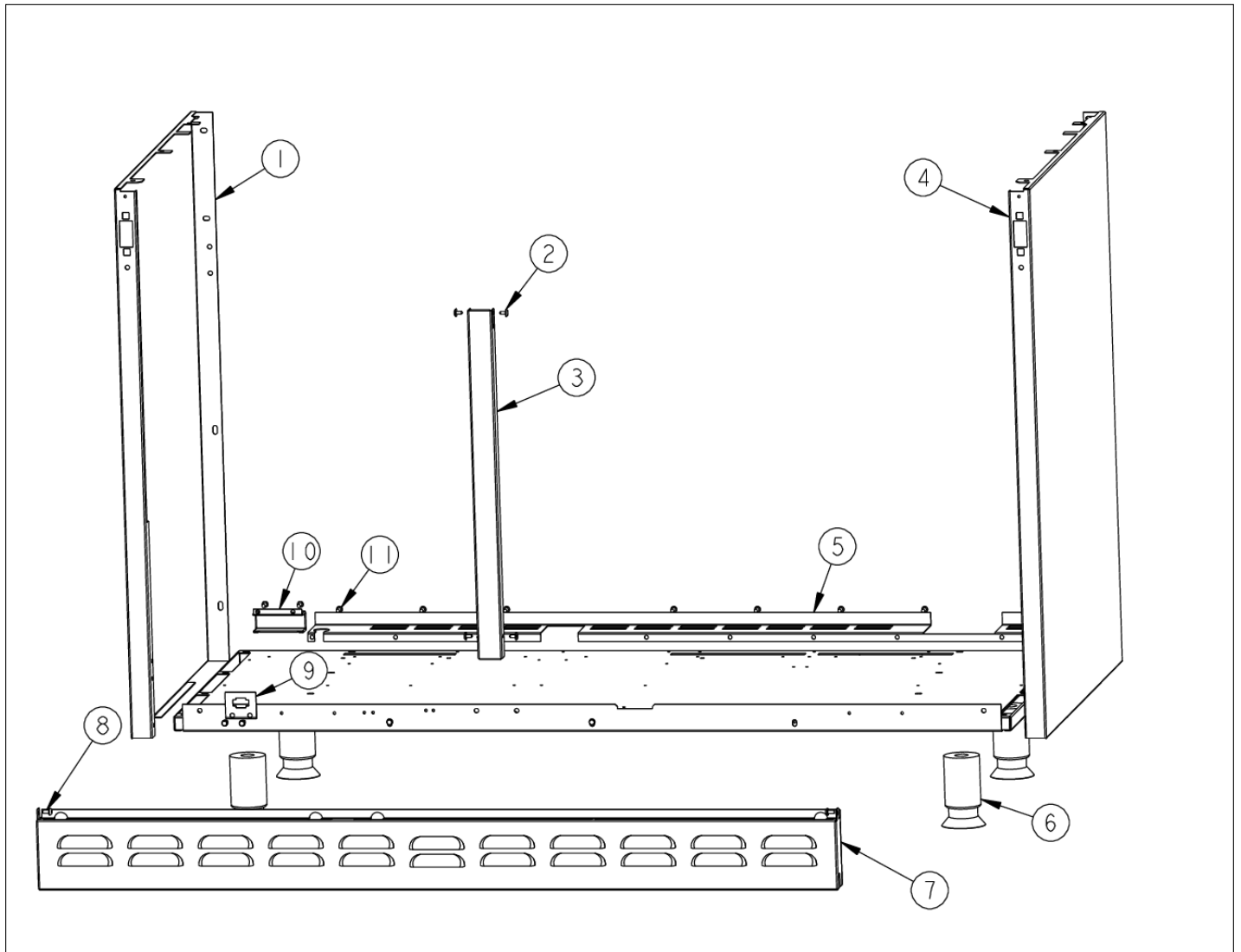


Item	Part No.	Name	Qty	Uom	NOTES
1	003349-007	LH RANGE BODY PANEL (AL)	1	EA	NO LONGER AVAILABLE, Not available online / Call for pricing and availability
Not Shown	003349-002	LH RANGE BODY PANEL (BK)	1	EA	
Not Shown	003349-003	LH RANGE BODY PANEL (BT)	1	EA	NO LONGER AVAILABLE, Not available online / Call for pricing and availability
Not Shown	003349-008	LH RANGE BODY PANEL (BU)	1	EA	NO LONGER AVAILABLE, Not available online / Call for pricing and availability
Not Shown	003349-013	LH RANGE BODY PANEL (CB)	1	EA	NO LONGER AVAILABLE
Not Shown	003349-014	LH RANGE BODY PANEL (EP)	1	EA	NO LONGER AVAILABLE, Not available online / Call for pricing and availability
Not Shown	003349-011	LH RANGE BODY PANEL (FG)	1	EA	NO LONGER AVAILABLE, Not available online / Call for pricing and availability
Not Shown	003349-005	LH RANGE BODY PANEL (GG)	1	EA	NO LONGER AVAILABLE, Not available online / Call for pricing and availability
Not Shown	003349-009	LH RANGE BODY PANEL (LE)	1	EA	NO LONGER AVAILABLE, Not available online / Call for pricing and availability
Not Shown	003349-010	LH RANGE BODY PANEL (MJ)	1	EA	NO LONGER AVAILABLE, Not available online / Call for pricing and availability
Not Shown	003349-004	LH RANGE BODY PANEL (SG)	1	EA	NO LONGER AVAILABLE, Not available online / Call for pricing and availability
Not Shown	003349-000	LH RANGE BODY PANEL	1	EA	



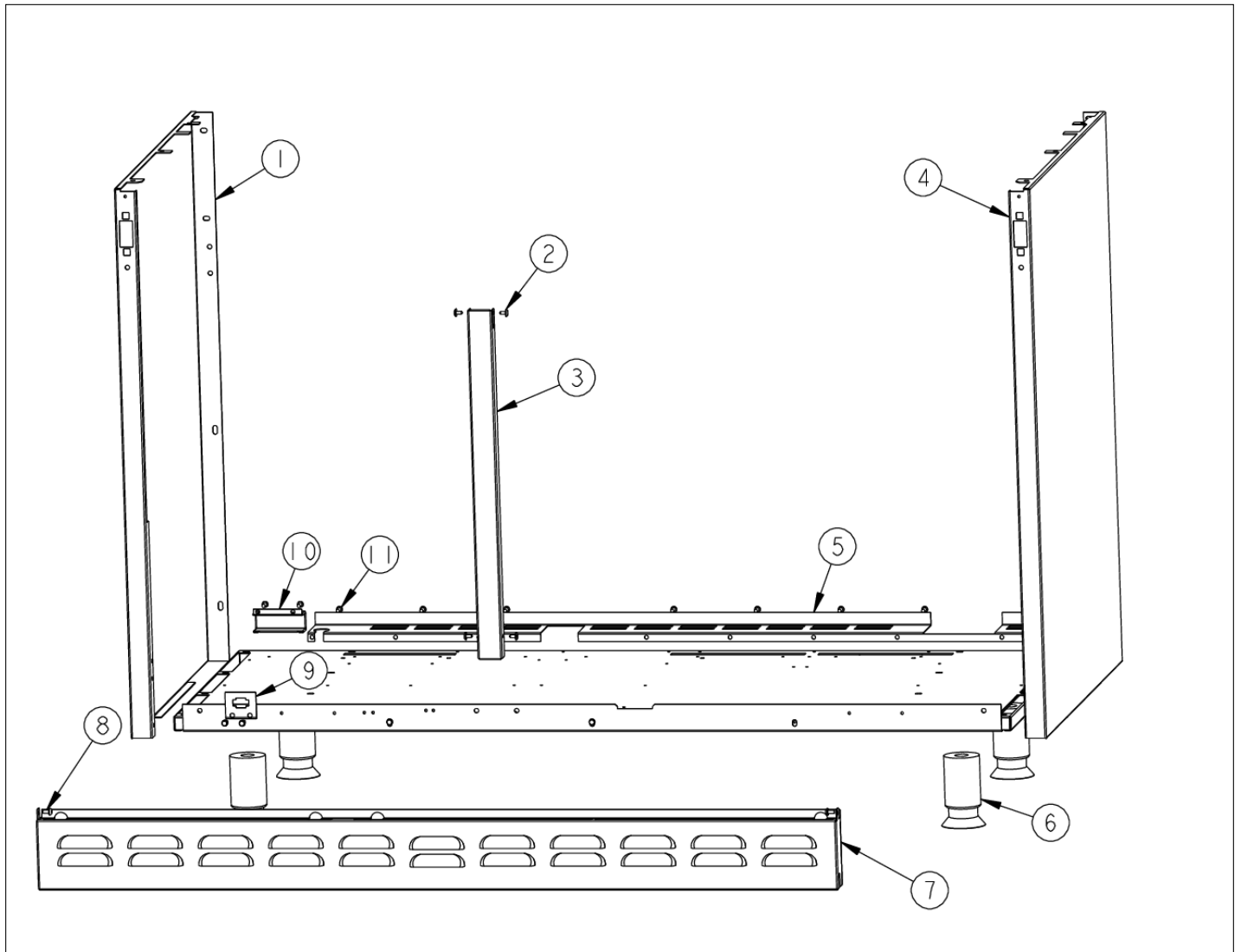


Item	Part No.	Name	Qty	Uom	NOTES
Not Shown	003349-012	LH RANGE BODY PANEL (VB)	1	EA	NO LONGER AVAILABLE, Not available online / Call for pricing and availability
Not Shown	003349-006	LH RANGE BODY PANEL (WH)	1	EA	NO LONGER AVAILABLE, Not available online / Call for pricing and availability
2	PD020032	SRW-8(A)X3/8"PH.WFR HD 7/16DIA*NICL	1	EA	
3	B2005683	CENTER TRIM	1	EA	
Not Shown	C9005683AL	CENTER TRIM *AL*	1	EA	NO LONGER AVAILABLE, Not available online / Call for pricing and availability
Not Shown	C9005683BK	CENTER TRIM *BK*	1	EA	NO LONGER AVAILABLE
Not Shown	C9005683BT	CENTER TRIM *BT*	1	EA	NO LONGER AVAILABLE, Not available online / Call for pricing and availability
Not Shown	C9005683BU	CENTER TRIM *BU*	1	EA	Not available online / Call for pricing and availability
Not Shown	C9005683CB	CENTER TRIM *CB*	1	EA	NO LONGER AVAILABLE
Not Shown	C9005683EP	CENTER TRIM *EP*	1	EA	NO LONGER AVAILABLE, Not available online / Call for pricing and availability
Not Shown	C9005683FG	CENTER TRIM *FG*	1	EA	NO LONGER AVAILABLE, Not available online / Call for pricing and availability
Not Shown	C9005683GG	CENTER TRIM *GG*	1	EA	NO LONGER AVAILABLE
Not Shown	C9005683LE	CENTER TRIM *LE*	1	EA	NO LONGER AVAILABLE, Not available online / Call for pricing and availability

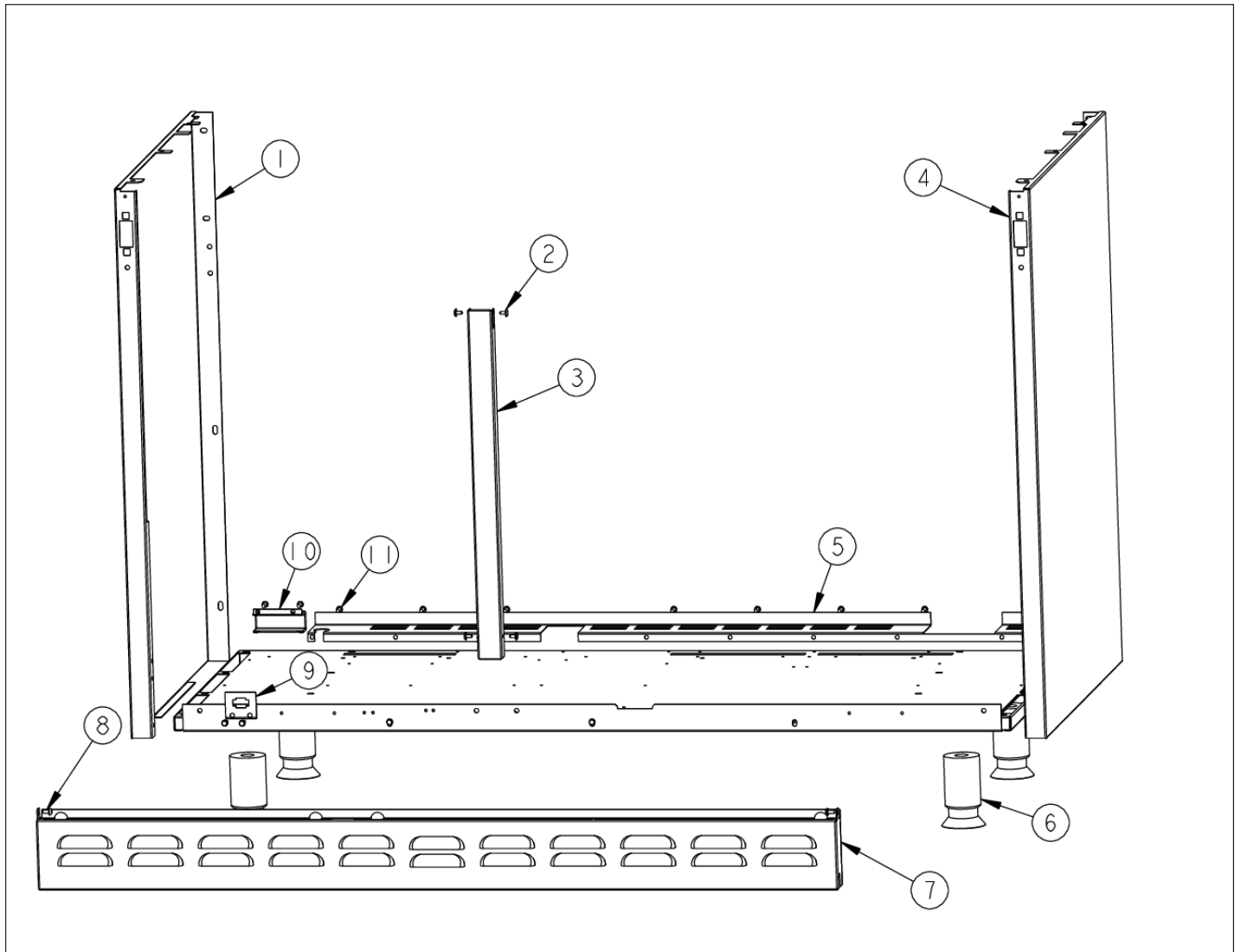




Item	Part No.	Name	Qty	Uom	NOTES
Not Shown	C9005683MJ	CENTER TRIM *MJ*	1	EA	NO LONGER AVAILABLE, Not available online / Call for pricing and availability
Not Shown	C9005683SG	CENTER TRIM *SG*	1	EA	
Not Shown	C9005683VB	CENTER TRIM *VB*	1	EA	NO LONGER AVAILABLE, Not available online / Call for pricing and availability
Not Shown	C9005683WH	CENTER TRIM *WH*	1	EA	NO LONGER AVAILABLE, Not available online / Call for pricing and availability
4	003348-007	O/S BODY PANEL - RH (AL)	1	EA	NO LONGER AVAILABLE, Not available online / Call for pricing and availability
Not Shown	003348-002	O/S BODY PANEL - RH (BK)	1	EA	
Not Shown	003348-003	O/S BODY PANEL - RH (BT)	1	EA	NO LONGER AVAILABLE, Not available online / Call for pricing and availability
Not Shown	003348-008	O/S BODY PANEL - RH (BU)	1	EA	NO LONGER AVAILABLE, Not available online / Call for pricing and availability
Not Shown	003348-013	O/S BODY PANEL - RH (CB)	1	EA	NO LONGER AVAILABLE
Not Shown	003348-014	O/S BODY PANEL - RH (EP)	1	EA	NO LONGER AVAILABLE, Not available online / Call for pricing and availability
Not Shown	003348-011	O/S BODY PANEL - RH (FG)	1	EA	NO LONGER AVAILABLE, Not available online / Call for pricing and availability
Not Shown	003348-005	O/S BODY PANEL - RH (GG)	1	EA	NO LONGER AVAILABLE, Not available online / Call for pricing and availability



Item	Part No.	Name	Qty	Uom	NOTES
Not Shown	003348-009	O/S BODY PANEL - RH (LE)	1	EA	NO LONGER AVAILABLE, Not available online / Call for pricing and availability
Not Shown	003348-010	O/S BODY PANEL - RH (MJ)	1	EA	NO LONGER AVAILABLE, Not available online / Call for pricing and availability
Not Shown	003348-004	O/S BODY PANEL - RH (SG)	1	EA	NO LONGER AVAILABLE, Not available online / Call for pricing and availability
Not Shown	003348-000	RH RANGE BODY PANEL	1	EA	Not available online / Call for pricing and availability
Not Shown	003348-012	O/S BODY PANEL - RH (VB)	1	EA	NO LONGER AVAILABLE, Not available online / Call for pricing and availability
Not Shown	003348-006	O/S BODY PANEL - RH (WH)	1	EA	NO LONGER AVAILABLE, Not available online / Call for pricing and availability
5	A2005584	O/S OVEN BACK BOTTOM	1	EA	NO LONGER AVAILABLE
6	PC030017	4" LEG ASSY	1	EA	
7	B2001241	LWR ACC. PNL - RPLCS B2001973	1	EA	
Not Shown	C9001241AL	LWR ACC PNL - RPLCS C9001973AL	1	EA	NO LONGER AVAILABLE, Not available online / Call for pricing and availability
Not Shown	C9001241BK	LWR ACC PNL - RPLCS C9001973BK	1	EA	
Not Shown	C9001241BT	LWR ACC PNL - RPLCS C9001973BT	1	EA	NO LONGER AVAILABLE
Not Shown	C9001241BU	LWR ACC PNL - RPLCS C9001973BU	1	EA	
Not Shown	C9001241CB	LWR ACC PNL - RPLCS C9001973CB	1	EA	NO LONGER AVAILABLE



Item	Part No.	Name	Qty	Uom	NOTES
Not Shown	C9001241EP	LWR ACC PNL - RPCLS C9001973EP	1	EA	NO LONGER AVAILABLE, Not available online / Call for pricing and availability
Not Shown	C9001241FG	LWR ACC PNL - RPLCS C9001973FG	1	EA	NO LONGER AVAILABLE, Not available online / Call for pricing and availability
Not Shown	C9001241GG	LWR ACC PNL - RPLCS C9001973GG	1	EA	Not available online / Call for pricing and availability
Not Shown	C9001241LE	LWR ACC PNL - RPLCS C9001973LE	1	EA	NO LONGER AVAILABLE
Not Shown	C9001241MJ	LWR ACC PNL - RPLCS C9001973MJ	1	EA	NO LONGER AVAILABLE
Not Shown	C9001241SG	LWR ACC PNL - RPLCS C9001973SG	1	EA	Not available online / Call for pricing and availability
Not Shown	C9001241VB	LWR ACC PNL - RPLCS C9001973VB	1	EA	NO LONGER AVAILABLE, Not available online / Call for pricing and availability
Not Shown	C9001241WH	LWR ACC PNL - RPLCS C9001973WH	1	EA	
8	PD020004	10X3/8PH.HD.TYPE 25 REPL PD040125	1	EA	
9	003439-000	POWER DISCONNECT BRACKET	1	EA	NO LONGER AVAILABLE, Not available online / Call for pricing and availability
10	A2004481	WIRE CHANNEL RH (VGSC306)	1	EA	NO LONGER AVAILABLE
11	PD020060	10 X 1/2" (5/16)HEX WSHER HD.(T)A	1	EA	



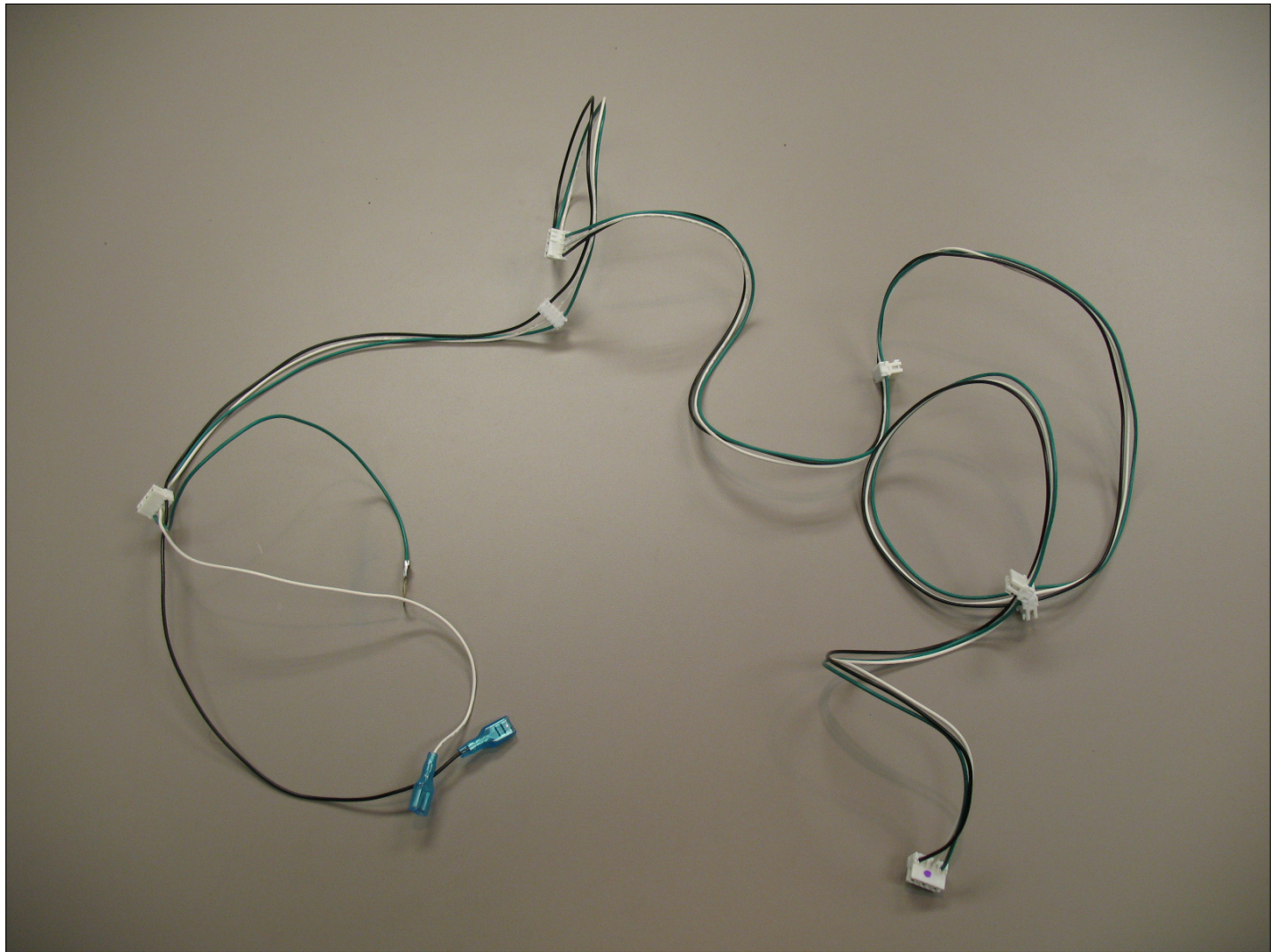
PE070245 LIGHT EXT. HARNESS





Item	Part No.	Name	Qty	Uom	NOTES
1	PE070245	LIGHT EXTENTION HARNESS (VGSC306)	1	EA	
Not Shown	NOTE	(MAY NOT BE USED ON ALL UNITS)		EA	

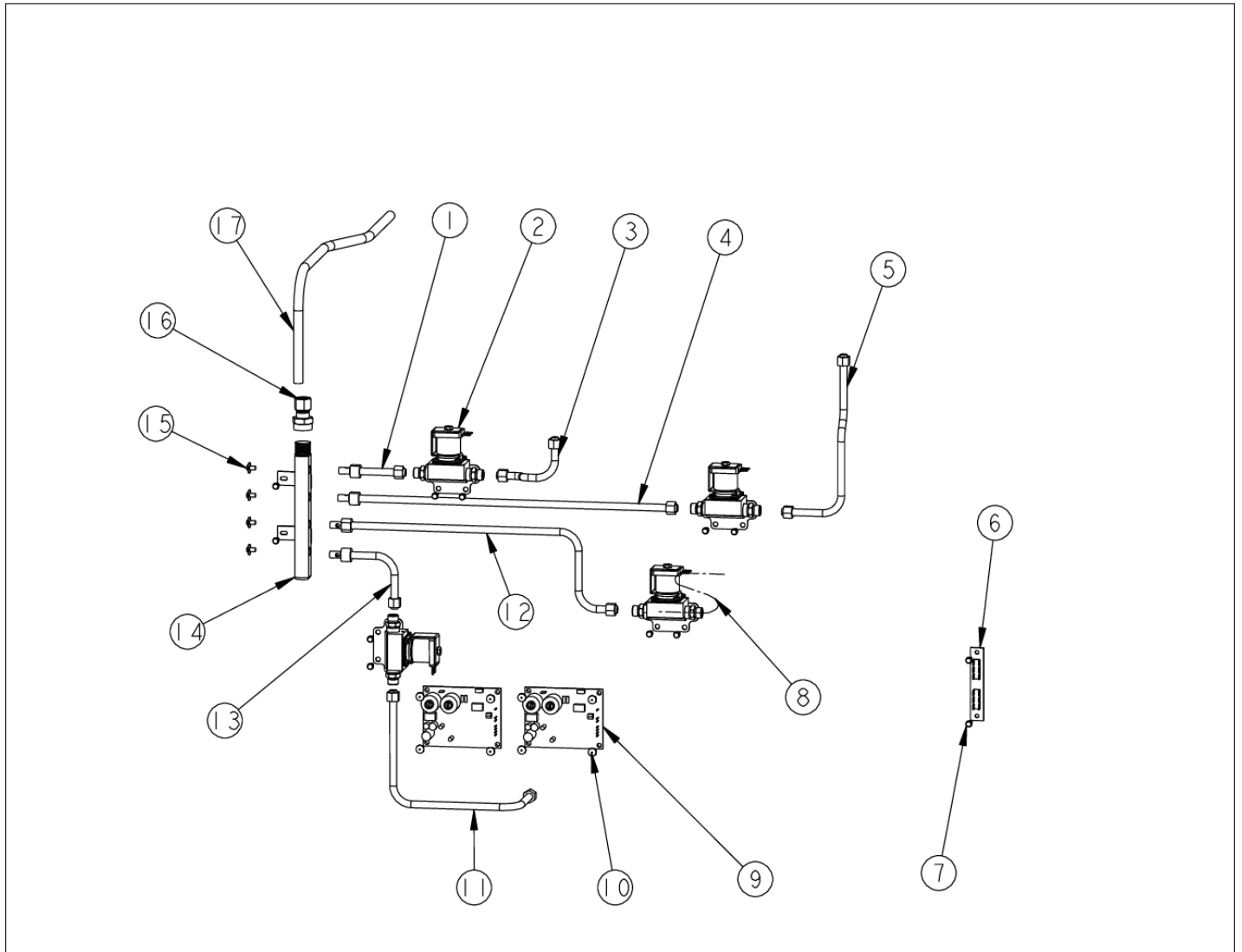
PE070890 IRIS HARNESS





Item	Part No.	Name	Qty	Uom	NOTES
1	PE070890	IRIS HARNESS - 36"	1	EA	

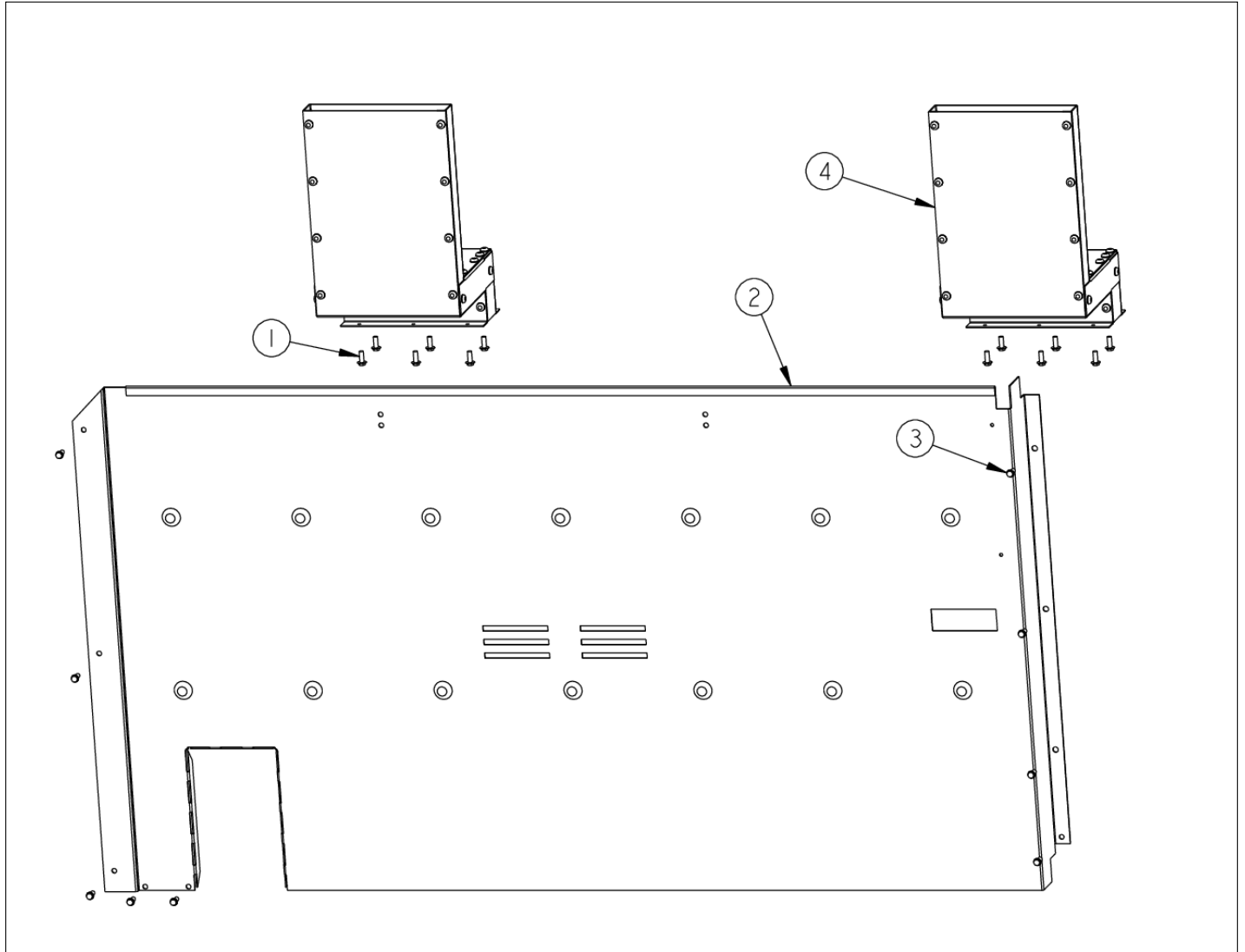
REAR ELECTRONICS AND GAS FLOW





Item	Part No.	Name	Qty	Uom	NOTES
1	000916-000	3/8" BROIL TUBING	1	EA	NO LONGER AVAILABLE, Not available online / Call for pricing and availability
2	003226-000	FJT VALVE - NO NUT/FERRELL	1	EA	
3	000921-000	3/8" ALUM TUBING ELBOW	1	EA	
4	000922-000	3/8" GRIDDLE TUBING	1	EA	
5	003415-000	OPEN 6G & 4GQ GRIDDLE TUBING	1	EA	
6	PE050001	TERMINAL BOARD	1	EA	
7	PD020060	10 X 1/2" (5/16)HEX WSHER HD.(T)A	1	EA	
8	PB020136	44" 3/8 S.S. FLEX TUBING T6-44	1	EA	
9	PA020056	NLA - See TC-0063D-SP for kit number (see comments)	1	EA	
10	PD020014	10X3/4 PH TR HD SMS	1	EA	
11	000919-000	3/8" ALUM TUBING	1	EA	
12	000917-000	3/8" TUBING LH BAKE	1	EA	
13	000918-000	3/8" BAKE TUBING	1	EA	
14	000863-000	4 PORT MANIFOLD - NLA	1	EA	NO LONGER AVAILABLE
15	PA010012	ROPER PLUG	1	EA	
16	000847-000	1/2" COMP TO 1/2" FEMALE NPT ADAPTER	1	EA	
17	000-927-000	1/2" ALUMINUM TUBING	1	EA	Not available online / Call for pricing and availability

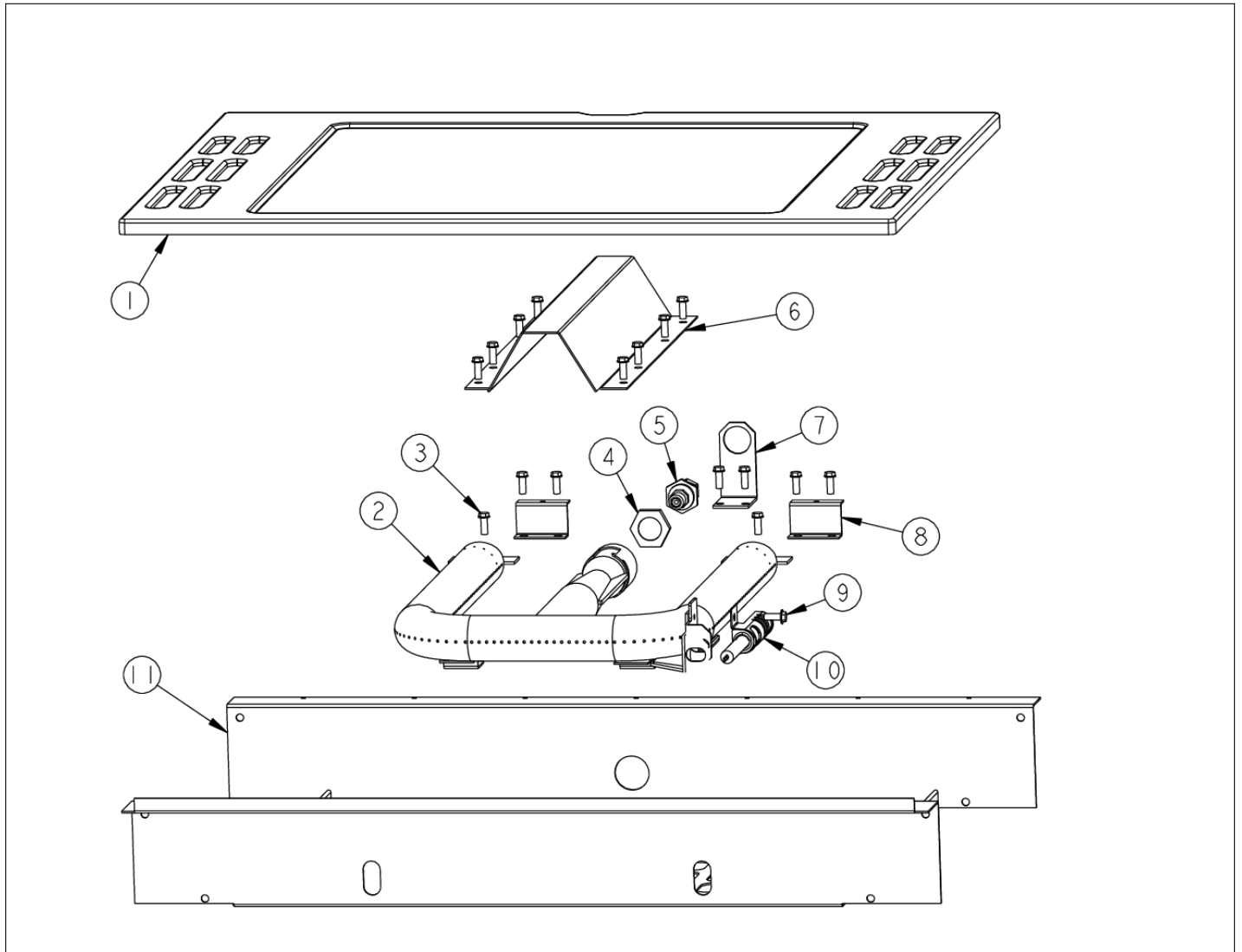
REAR SHEET METAL





Item	Part No.	Name	Qty	Uom	NOTES
1	PD020048	NO.10 X 1/2 TEK 410 SS SCREW	1	EA	
2	A2005583	48 REAR COVER	1	EA	NO LONGER AVAILABLE
3	PD020060	10 X 1/2" (5/16)HEX WSHER HD.(T)A	1	EA	
4	000967-000	FLUE ASSY	1	EA	

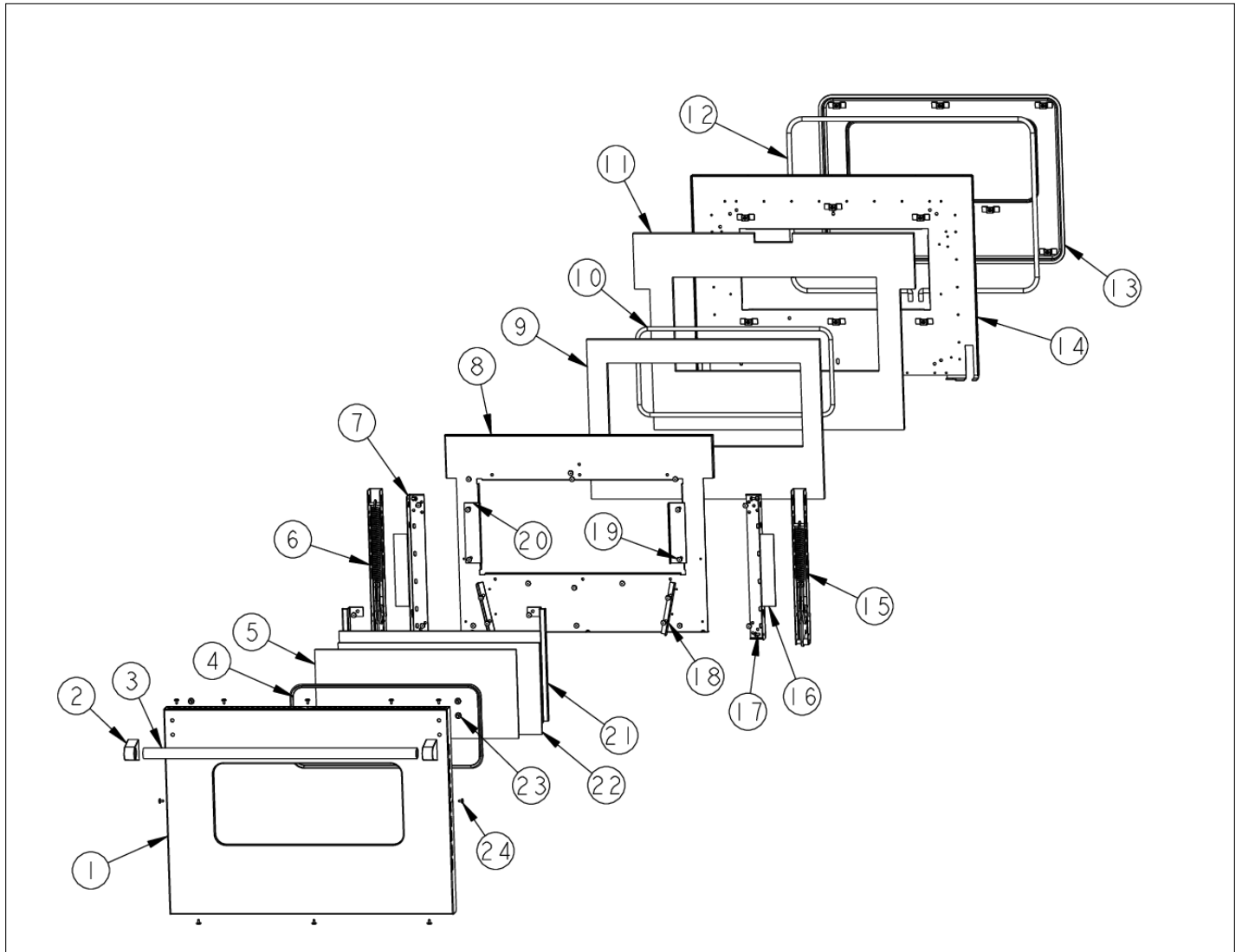
RH BAKE BURNER AREA



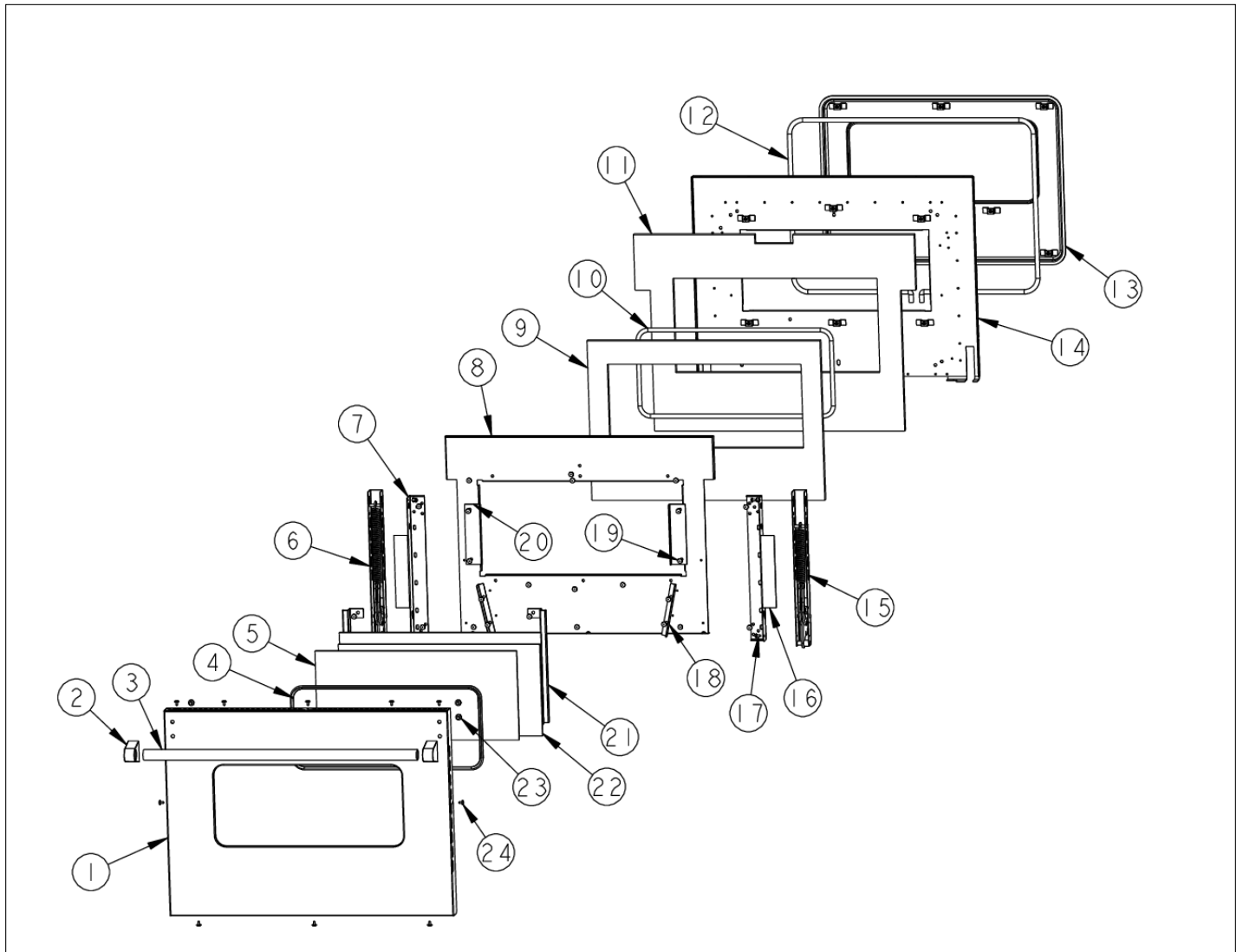


Item	Part No.	Name	Qty	Uom	NOTES
1	068456-000	ASM, BOTTOM, CAVITY, OVEN, GAS, 30", GRAY		EA	
Not Shown	NOTE	(INCLUDES HEAT SHIELD)		EA	
2	006197-000	U-SHAPE BAKE BURNER 8"		EA	
3	PD020060	10 X 1/2" (5/16)HEX WSHER HD.(T)A		EA	
4	PD030018	PALNUT - 3/4-16		EA	
5	PB040265	BULKHEAD ORIFICE FITTING		EA	
Not Shown	PB040246	SUB TO PB040035 - #51 ORIFICE HOOD		EA	NO LONGER AVAILABLE
6	A2004424	BURNER COVER (VGSC306)		EA	
7	A2004434	ORIFICE BRACKET (VGSC306)		EA	Not available online / Call for pricing and availability
8	B2004415	BURNER BRACKET (VGSC306)		EA	
9	PD020048	NO.10 X 1/2 TEK 410 SS SCREW		EA	
10	PB040170	BAKE IGNITION ELECTRODE		EA	
11	A20010137	30" CAVITY BOTTOM/48" RH BOTTOM		EA	NO LONGER AVAILABLE, Not available online / Call for pricing and availability

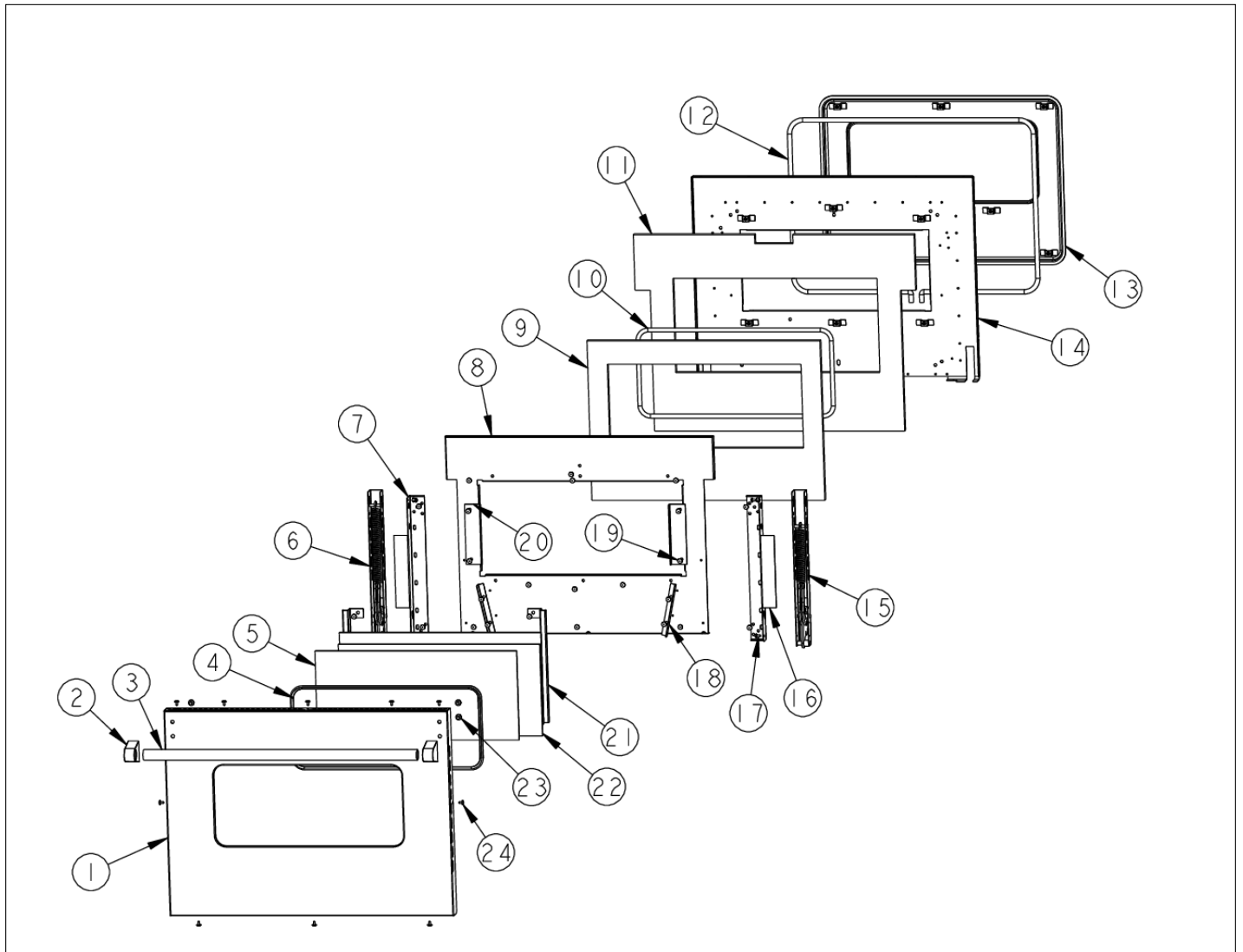
RH DOOR ASSEMBLY



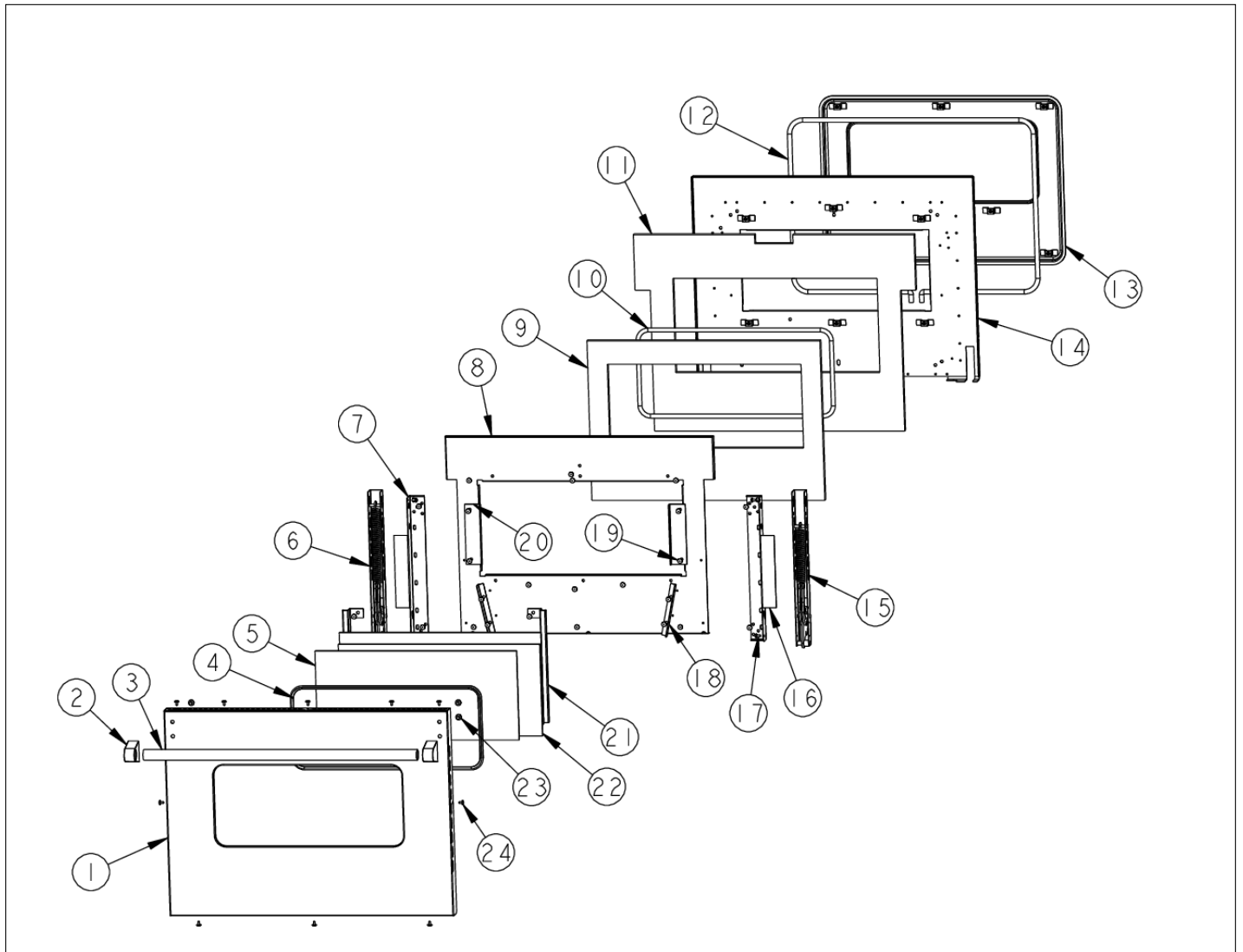
Item	Part No.	Name	Qty	Uom	NOTES
1	B2002528	O/S DOOR PANEL RH *SS* (VDSC48)	1	EA	
Not Shown	C9002528AL	O/S DOOR PANEL-RH *AL* (VDSC48)	1	EA	NO LONGER AVAILABLE
Not Shown	C9002528BK	O/S DOOR PANEL-RH *BK* (VDSC48)	1	EA	
Not Shown	C9002528BT	O/S DOOR PANEL-RH *BT* (VDSC48)	1	EA	NO LONGER AVAILABLE
Not Shown	C9002528BU	O/S DOOR PANEL-RH *BU* (VDSC48)	1	EA	
Not Shown	C9002528CB	O/S DOOR PANEL-RH *CB* (VDSC48)	1	EA	Not available online / Call for pricing and availability
Not Shown	C9002528EP	O/S DOOR PANEL-RH *EP* (VDSC48)	1	EA	NO LONGER AVAILABLE, Not available online / Call for pricing and availability
Not Shown	C9002528FG	O/S DOOR PANEL-RH *FG* (VDSC48)	1	EA	NO LONGER AVAILABLE, Not available online / Call for pricing and availability
Not Shown	C9002528GG	O/S DOOR PANEL-RH *GG* (VDSC48)	1	EA	Not available online / Call for pricing and availability
Not Shown	C9002528LE	O/S DOOR PANEL-RH *LE* (VDSC48)	1	EA	NO LONGER AVAILABLE
Not Shown	C9002528MJ	O/S DOOR PANEL-RH *MJ* (VDSC48)	1	EA	NO LONGER AVAILABLE, Not available online / Call for pricing and availability
Not Shown	C9002528SG	O/S DOOR PANEL-RH *SG* (VDSC48)	1	EA	Not available online / Call for pricing and availability
Not Shown	C9002528VB	O/S DOOR PANEL-RH *VB* (VDSC48)	1	EA	NO LONGER AVAILABLE, Not available online / Call for pricing and availability
Not Shown	C9002528WH	O/S DOOR PANEL-RH *WH* (VDSC48)	1	EA	NO LONGER AVAILABLE
2	000268-000	HANDLE ENDCAP	1	EA	
Not Shown	PE030001PVD	END CAP DOOR HANDLE *BR	1	EA	



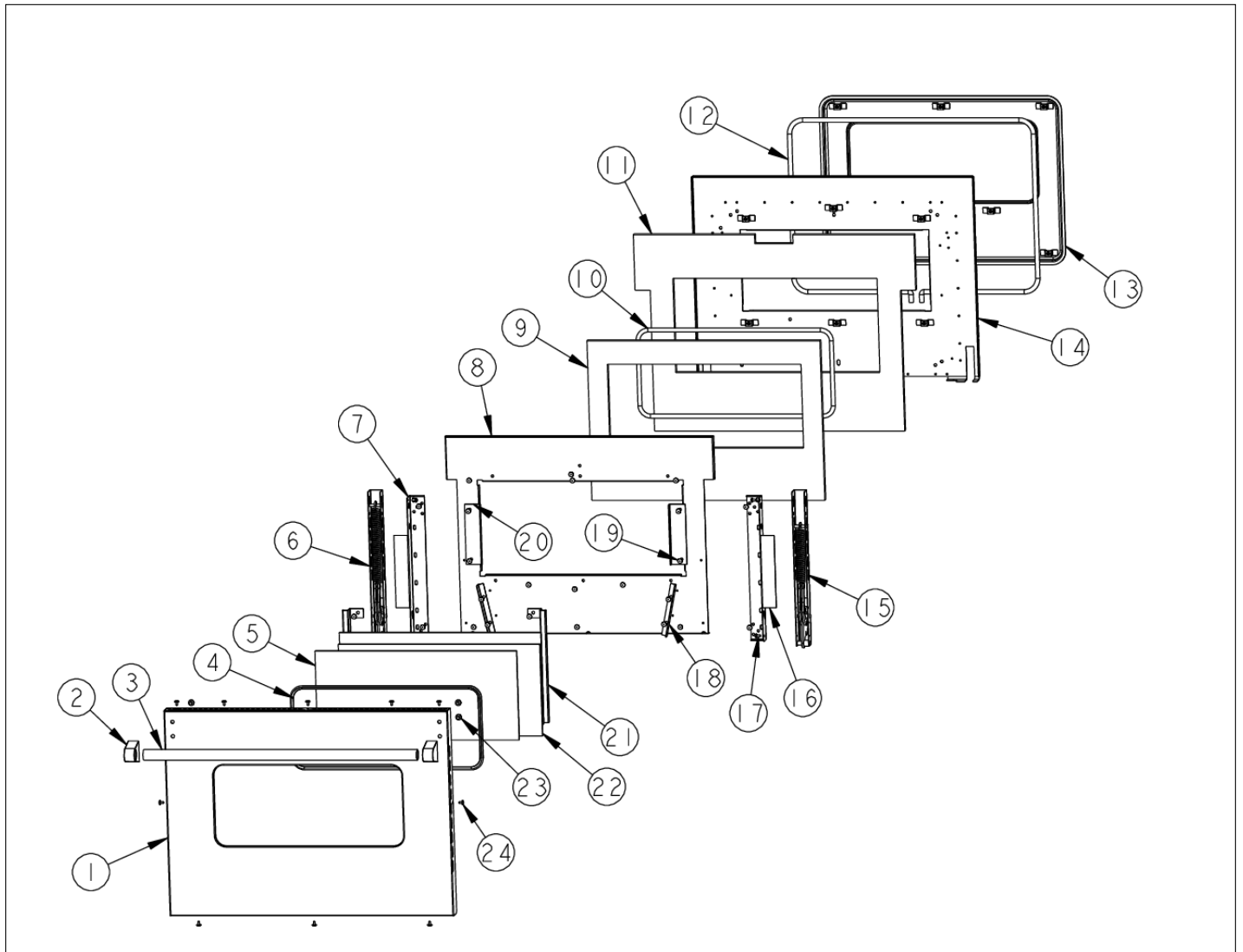
Item	Part No.	Name	Qty	Uom	NOTES
3	PE030005	DOOR HANDLE - VGSC30/RC60/RC48RH	1	EA	
Not Shown	PE030012PVD	DOOR HANDLE - RH - (30"/48") PVD	1	EA	
4	PE060031	J-MOLD (LARGE WINDOW)	1	EA	
Not Shown	PE060045	J-MOLD (LARGE WINDOW) *BR*	1	EA	
5	PE060030	OUTER DOOR GLASS	1	EA	
6	PC020223	DOOR HINGE (LONG SPRING) NSF	1	EA	
7	000932-000	DOOR HINGE BRACKET	1	EA	Not available online / Call for pricing and availability
8	A20015315	DOOR INSULATION RETAINER	1	EA	NO LONGER AVAILABLE, Not available online / Call for pricing and availability
9	PB070145	SUPERWOOL 5" X 24" X 3'	1	EA	
10	000594-000	BLACK FIBERGLASS ROPE 3/8	1	EA	
11	PB070145	SUPERWOOL 5" X 24" X 3'	1	EA	
12	000042-000	30" DOOR GASKET	1	EA	
13	001142-000	PLUG, DOOR, ASM, PORCELAIN	1	EA	
Comments for Part Num. 001142-000 bradleysapplianceservice@shaw.ca on Nov 2, 2015 001142-000 PLUG, DOOR, ASM, PORCELAIN (GREY WITH WHITE SPECS) OLD STYLE 001142-402 PLUG, DOOR, ASM, PORCELAIN BK (BLACK LINER) NEW STYLE					
14	001141-000	LINER, DOOR, ASM, PORCELAIN	1	EA	Not available online / Call for pricing and availability
15	PC020222	DOOR HINGE (SHORT SPRING) NSF	1	EA	
16	000075-000	DOOR HINGE BRACKET	1	EA	Not available online / Call for pricing and availability
17	PD020004	10X3/8PH.HD.TYPE 25 REPL PD040125	1	EA	
18	A2002497	DOOR GUIDE ANGLE VDSC	1	EA	



Item	Part No.	Name	Qty	Uom	NOTES
19	PD020002	10 X 1/2 PH.TR.HD.SMS.	1	EA	
20	A2002189	DOOR GLASS STANDOFF (VDSC)	1	EA	
21	A2002367	DOOR GLASS BRKT	1	EA	
22	PE060039	GLASS-HEAT TREATED (HB2) VDSC	1	EA	
23	PD010019	BLT-1/4-20X3/8"HEX WASHER SERATED	1	EA	
24	PD020032	SRW-8(A)X3/8"PH.WFR HD 7/16DIA*NICL	1	EA	
NI	000938-007	COMPLETE DOOR ASSY. - AL	1	EA	Not available online / Call for pricing and availability
Not Shown	000938-107	COMPLETE DOOR ASSY. - ALBR	1	EA	Not available online / Call for pricing and availability
Not Shown	000938-002	COMPLETE DOOR ASSY. - BK	1	EA	Not available online / Call for pricing and availability
Not Shown	000938-102	COMPLETE DOOR ASSY. - BKBR	1	EA	Not available online / Call for pricing and availability
Not Shown	000938-003	COMPLETE DOOR ASSY. - BT	1	EA	Not available online / Call for pricing and availability
Not Shown	000938-103	COMPLETE DOOR ASSY. - BTBR	1	EA	Not available online / Call for pricing and availability
Not Shown	000938-008	COMPLETE DOOR ASSY. - BU	1	EA	Not available online / Call for pricing and availability
Not Shown	000938-108	COMPLETE DOOR ASSY. - BUBR	1	EA	Not available online / Call for pricing and availability
Not Shown	000938-013	COMPLETE DOOR ASSY. - CB	1	EA	Not available online / Call for pricing and availability
Not Shown	000938-113	COMPLETE DOOR ASSY. - CBBR	1	EA	Not available online / Call for pricing and availability



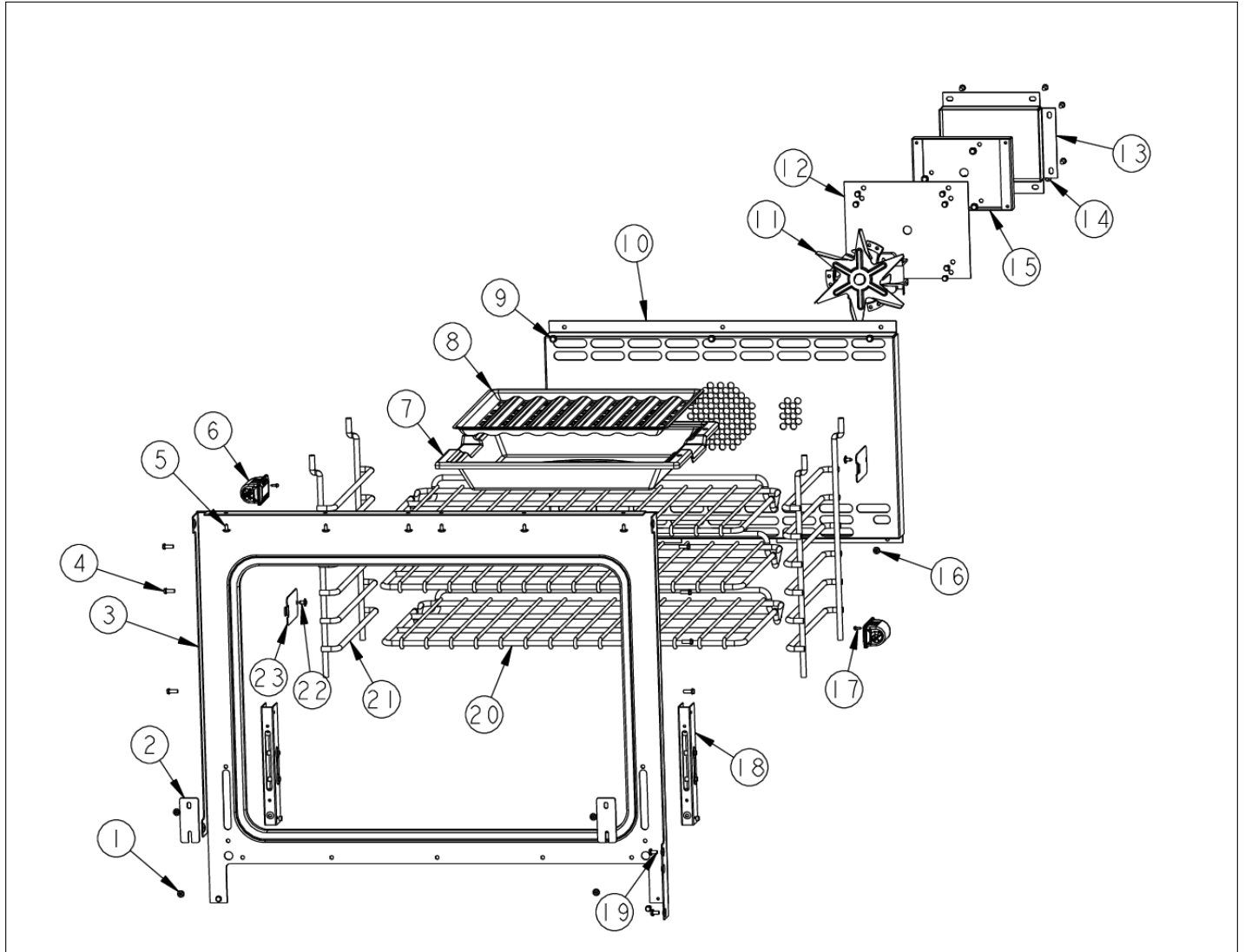
Item	Part No.	Name	Qty	Uom	NOTES
Not Shown	000938-014	COMPLETE DOOR ASSY. - EP	1	EA	Not available online / Call for pricing and availability
Not Shown	000938-114	COMPLETE DOOR ASSY. - EPBR	1	EA	Not available online / Call for pricing and availability
Not Shown	000938-011	COMPLETE DOOR ASSY. - FG	1	EA	Not available online / Call for pricing and availability
Not Shown	000938-111	COMPLETE DOOR ASSY. - FGBR	1	EA	Not available online / Call for pricing and availability
Not Shown	000938-005	COMPLETE DOOR ASSY. - GG	1	EA	Not available online / Call for pricing and availability
Not Shown	000938-105	COMPLETE DOOR ASSY. - GGBR	1	EA	Not available online / Call for pricing and availability
Not Shown	000938-009	COMPLETE DOOR ASSY. - LE	1	EA	Not available online / Call for pricing and availability
Not Shown	000938-109	COMPLETE DOOR ASSY. - LEBR	1	EA	Not available online / Call for pricing and availability
Not Shown	000938-010	COMPLETE DOOR ASSY. - MJ	1	EA	Not available online / Call for pricing and availability
Not Shown	000938-110	COMPLETE DOOR ASSY. - MJBR	1	EA	Not available online / Call for pricing and availability
Not Shown	000938-004	COMPLETE DOOR ASSY. - SG	1	EA	Not available online / Call for pricing and availability
Not Shown	000938-104	COMPLETE DOOR ASSY. - SGBR	1	EA	Not available online / Call for pricing and availability
Not Shown	000938-000	DOOR, ASSEMBLY 30" - NLA	1	EA	NO LONGER AVAILABLE





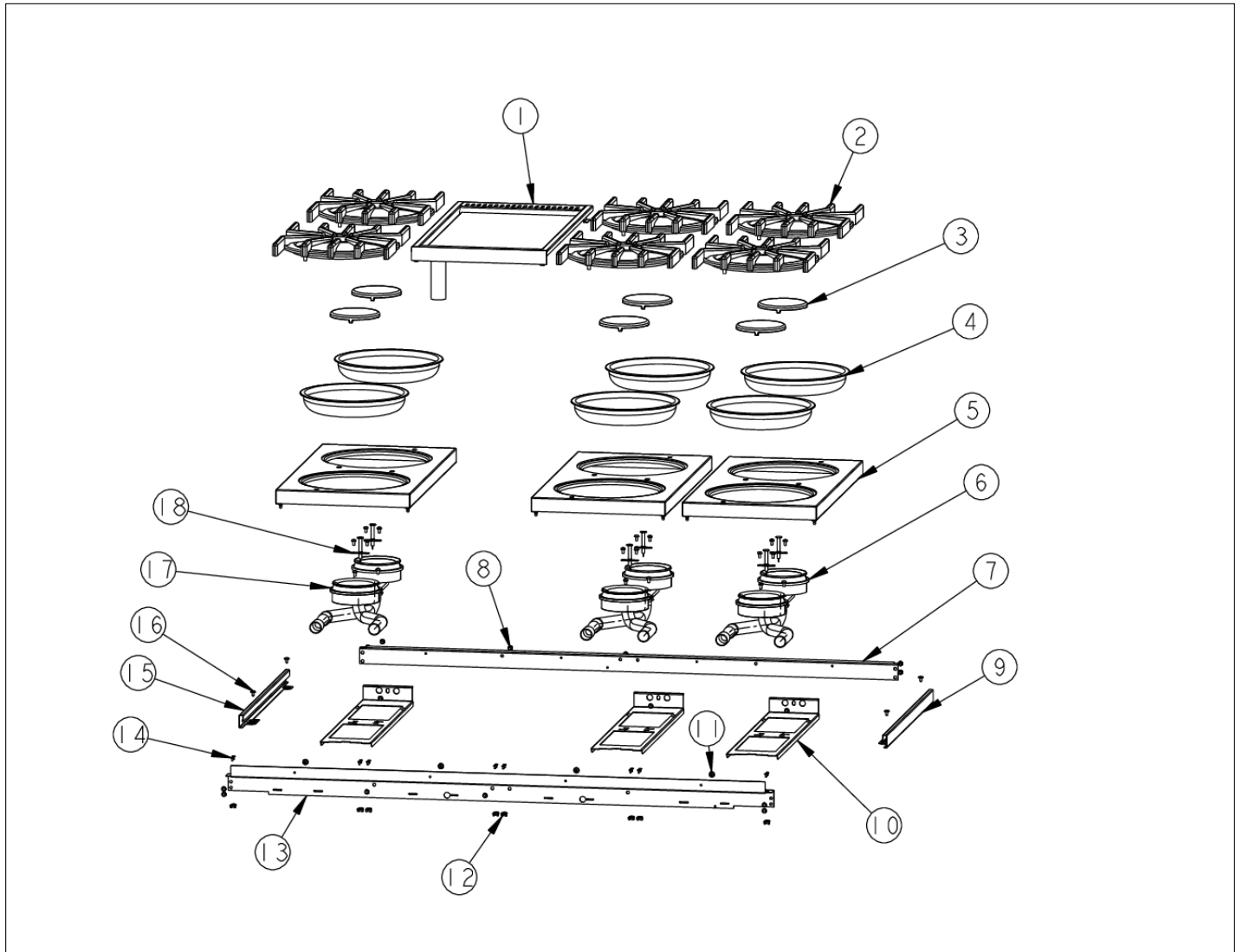
Item	Part No.	Name	Qty	Uom	NOTES
Not Shown	000938-100	DOOR ASSEMBLY, 48" RH (BR)	1	EA	NO LONGER AVAILABLE, Not available online / Call for pricing and availability
Not Shown	000938-012	COMPLETE DOOR ASSY. - VB	1	EA	Not available online / Call for pricing and availability
Not Shown	000938-112	COMPLETE DOOR ASSY. - VBBR	1	EA	Not available online / Call for pricing and availability
Not Shown	000938-006	COMPLETE DOOR ASSY. - WH	1	EA	Not available online / Call for pricing and availability
Not Shown	000938-106	COMPLETE DOOR ASSY. - WHBR	1	EA	Not available online / Call for pricing and availability

RH OVEN MAIN CAVITY



Item	Part No.	Name	Qty	Uom	NOTES
1	003083-000	#8-18 x 1/2" PHIL FLAT TOP TRUSS HD AB SCREW	1	EA	
2	B1007913	HINGE CLIP (DESIGNER TIME PIECE)	1	EA	
3	000991-000	FRONT FRAME 48" RH WELD ASSY	1	EA	NO LONGER AVAILABLE
4	PD020060	10 X 1/2" (5/16)HEX WSHR HD.(T)A	1	EA	
5	PD020032	SRW-8(A)X3/8"PH.WFR HD 7/16DIA*NICL	1	EA	
6	005311-000	LAMP, OVEN, 120V/25W	1	EA	
7	E9107933	BROILER PAN	1	EA	
8	E9107934	BROILER PAN INSERT - NLA	1	EA	
9	PD020048	NO.10 X 1/2 TEK 410 SS SCREW	1	EA	
10	G9104482	CONVECTION FAN COVER ASSY (VGSC306)	1	EA	
11	PE050057	CONVECTION FAN (VGSC306)	1	EA	
12	A1002596	CONVECTION FAN COVER (VDSC)	1	EA	
13	A2008467	INSULATION SHIELD	1	EA	
14	PD020010	10 X 3/8 GREEN GROUNDING SCREW	1	EA	
15	A2002595	CONVECTION FAN BOX (VDSC)	1	EA	
16	M0210443	SCREW-E SM VM0210443	1	EA	
17	PD020013	TYPE "AB" #6 X 3/8 PH PAN HD. SMS	1	EA	
18	PC020295	HINGE RECEIVER ASSEMBLY	1	EA	
19	PD020004	10X3/8PH.HD.TYPE 25 REPL PD040125	1	EA	
20	PB060044	OVEN RK VDSC30/48RH REPL PB060019	1	EA	
21	PB060030	RACK SUPT REPL PB060010	1	EA	
22	PD020063	SCREW-#8(A) X 3/8"PH WFR HD/BK OXID	1	EA	
23	E91012614	LIGHT HOLE COVER	1	EA	

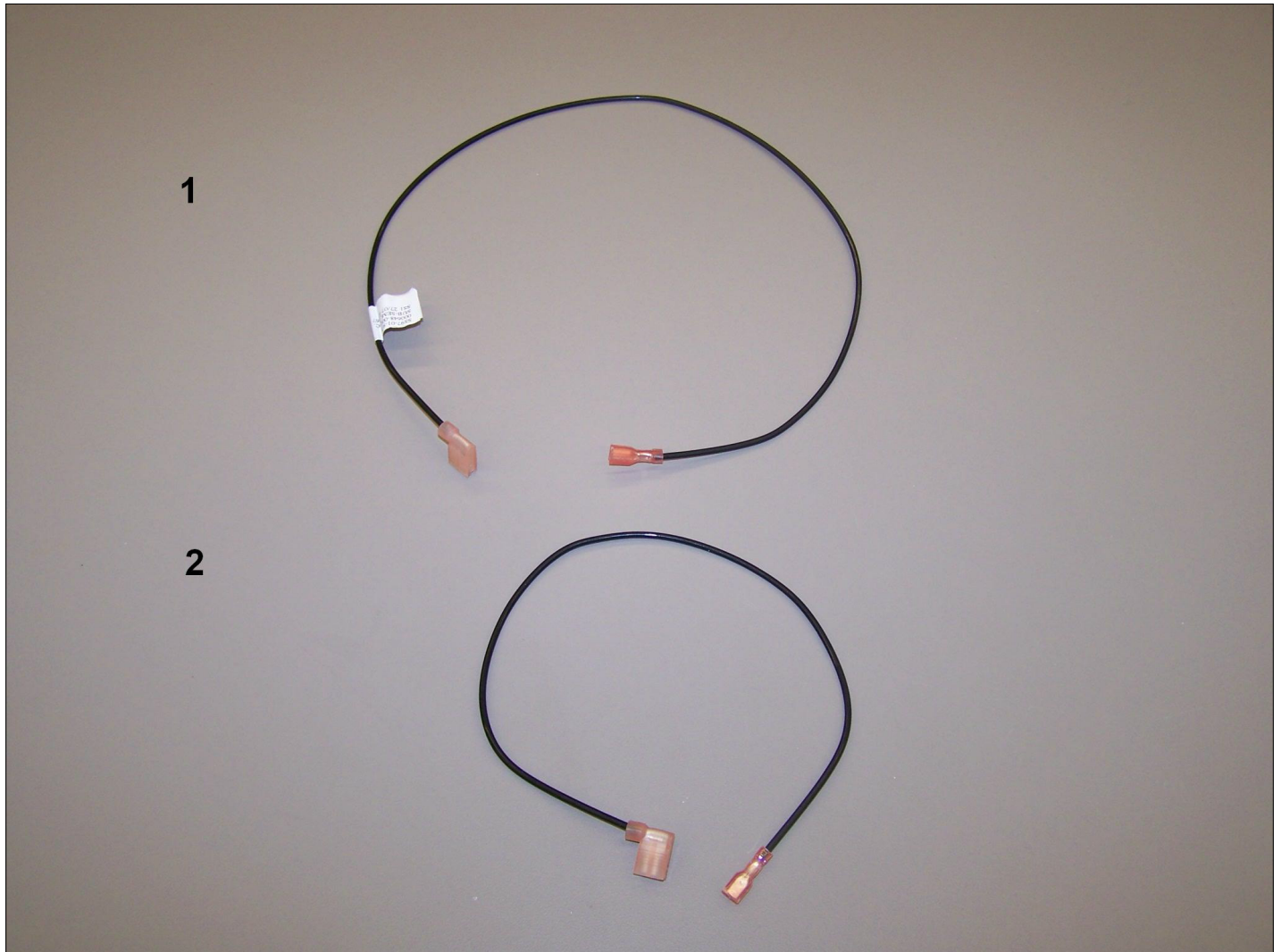
SURFACE COOKING AREA





Item	Part No.	Name	Qty	Uom	NOTES
1	003208-000	12" SEALED GRIDDLE FRAME ASSY		EA	
2	PA060037	GRATE BK REPL PA060024 (GEN.#2)		EA	
3	PA080015	BURNER CAP-VGRT *BK*		EA	
4	PA030002BK	BURNER BOWL (VGRT) **BK**		EA	
Not Shown	PA030002WH	BURNER BOWL (VGRT) **WH**		EA	
5	G50013584BK	GRATE SUPPORT SERVICE KIT (BK)		EA	
Not Shown	G50013584WH	GRATE SUPPORT SERVICE KIT (WH)		EA	
6	PA080036	TOP BURNER REAR REPL PA080008		EA	
7	002281-000	48" REAR BURNER SUPPORT - NLA		EA	NO LONGER AVAILABLE
8	PD020004	10X3/8PH.HD.TYPE 25 REPL PD040125		EA	
9	B2002345	SIDE TRIM - RH (VGSS)		EA	
Not Shown	C9302345BR	SIDE TRIM - RH (VGSS) *BR*		EA	
10	A2001112	BURNER SUPT (VGRT)		EA	
11	PD020002	10 X 1/2 PH.TR.HD.SMS.		EA	
12	PD010016	BALL STUD FASTEN		EA	
13	001706-000	48" FRONT BOX SUPPORT - NLA		EA	NO LONGER AVAILABLE
14	PC040010	POP RIVET (.063/GR -.125) GAMD42-A		EA	
15	B2002346	SIDE TRIM - LH (VGSS)		EA	
Not Shown	C9302346BR	SIDE TRIM - LH (VGSS) *BR*		EA	Not available online / Call for pricing and availability
16	PD020032	SRW-8(A)X3/8"PH.WFR HD 7/16DIA*NICL		EA	
17	PA080037	TOP BURNER FRONT REPL PA080007		EA	
18	PA020028	SPARK IGNITER		EA	

TOP BURNER IGNITER WIRES





Item	Part No.	Name	Qty	Uom	NOTES
1	006766-000	IRIS IGNITOR WIRE, BACK BURNER	1	EA	
2	000647-000	IRIS IGNITOR WIRE, FRONT BURNER	1	EA	

WIRING DIAGRAM

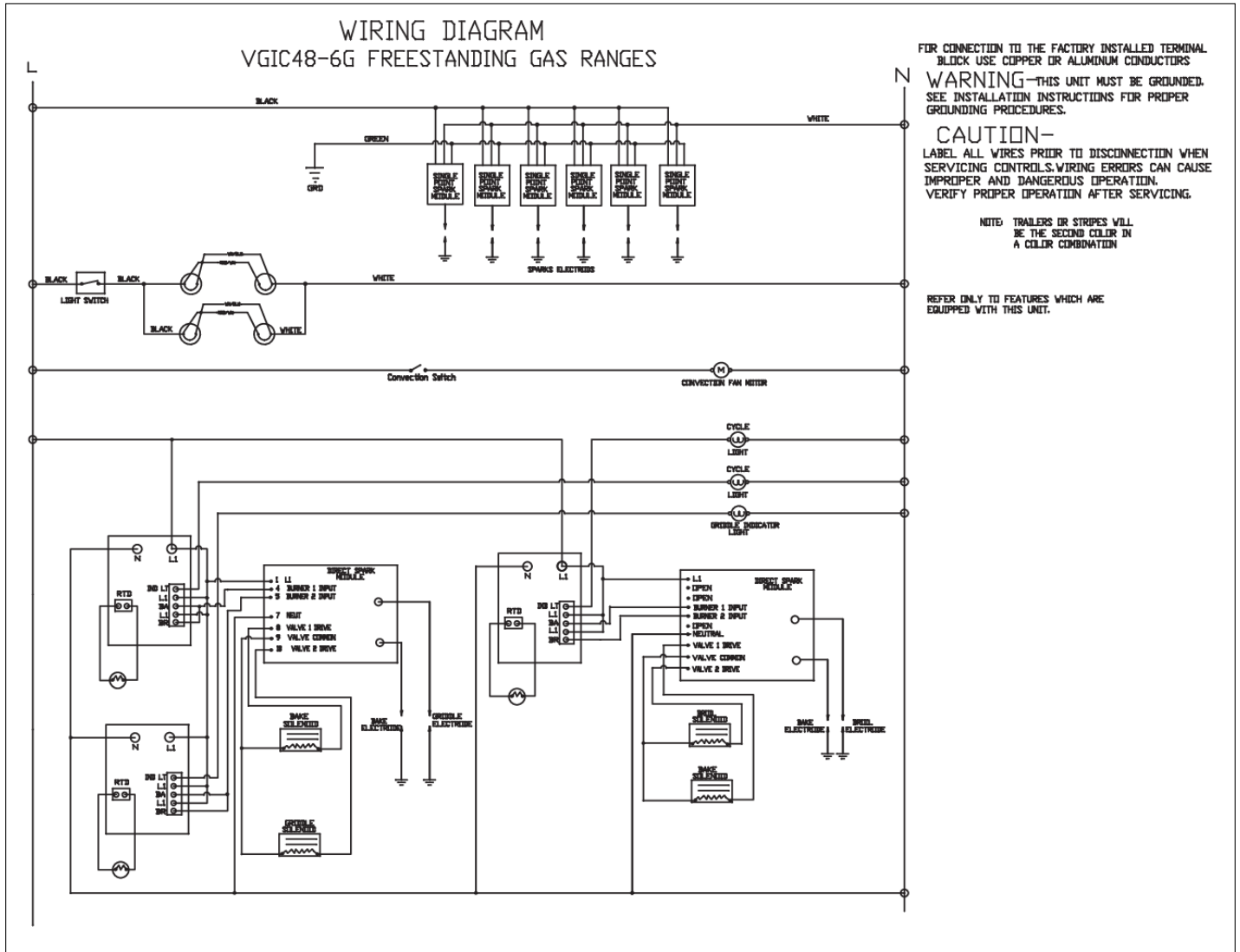
WIRING DIAGRAM
VGIC48-6G FREESTANDING GAS RANGES

FOR CONNECTION TO THE FACTORY INSTALLED TERMINAL BLOCK USE COPPER OR ALUMINUM CONDUCTORS
WARNING—THIS UNIT MUST BE GROUNDED. SEE INSTALLATION INSTRUCTIONS FOR PROPER GROUNDING PROCEDURES.

CAUTION—
LABEL ALL WIRES PRIOR TO DISCONNECTION WHEN SERVICING CONTROLS. WIRING ERRORS CAN CAUSE IMPROPER AND DANGEROUS OPERATION. VERIFY PROPER OPERATION AFTER SERVICING.

NOTE: TRAILERS OR STRIPES WILL BE THE SECOND COLOR IN A COLOR COMBINATION

REFER ONLY TO FEATURES WHICH ARE EQUIPPED WITH THIS UNIT.





Appendix A:Pages Index

001731-000 VGIC36 HARNESS 1
001754-000 POWER DISCONNECT HAR2
001914-000 BROIL IGNITOR WIRE 3
BAKE IGNITER WIRE 4
BROILER AREA 5
BURNER BOX INTERIOR 6
CONTROL AREA 7
DRIP TRAY 8
G4008493 SUPPLY CORD 9
GRIDDLE SUBASSEMBLY 10
LH BAKE BURNER AREA 11
LH DOOR ASSEMBLY 12
LH OVEN MAIN CAVITY 13
LOWER UNIT AREA AND SIDE PANELS 14
PE070245 LIGHT EXT. HARNESS 15
PE070890 IRIS HARNESS 16
REAR ELECTRONICS AND GAS FLOW 17
REAR SHEET METAL 18
RH BAKE BURNER AREA 19
RH DOOR ASSEMBLY 20
RH OVEN MAIN CAVITY 21
SURFACE COOKING AREA 22
TOP BURNER IGNITER WIRES 23
WIRING DIAGRAM 24



Appendix B:Parts Index

000-927-000	17	000938-102	20
000042-000	20	000938-103	20
000075-000	12, 20	000938-104	20
000080-000	12	000938-105	20
000268-000	12, 20	000938-106	20
000381-000	7	000938-107	20
000381-006	7	000938-108	20
000447-000	7	000938-109	20
000447-006	7	000938-110	20
000448-000	7	000938-111	20
000448-006	7	000938-112	20
000594-000	12, 20	000938-113	20
000633-000	7	000938-114	20
000642-000	11	000939-000	12
000647-000	23	000946-000	12
000847-000	17	000946-002	12
000863-000	17	000946-003	12
000916-000	17	000946-004	12
000917-000	17	000946-005	12
000918-000	17	000946-006	12
000919-000	17	000946-007	12
000921-000	17	000946-008	12
000922-000	17	000946-009	12
000930-000	7	000946-010	12
000932-000	12, 20	000946-011	12
000938-000	20	000946-012	12
000938-002	20	000946-013	12
000938-003	20	000946-014	12
000938-004	20	000946-100	12
000938-005	20	000946-102	12
000938-006	20	000946-103	12
000938-007	20	000946-104	12
000938-008	20	000946-105	12
000938-009	20	000946-106	12
000938-010	20	000946-107	12
000938-011	20	000946-108	12
000938-012	20	000946-109	12
000938-013	20	000946-110	12
000938-014	20	000946-111	12
000938-100	20	000946-112	12
		000946-113	12



000946-114	12	003349-002	14
000967-000	18	003349-003	14
000971-000	10	003349-004	14
000991-000	21	003349-005	14
001014-000	13	003349-006	14
001141-000	20	003349-007	14
001142-000	20	003349-008	14
001144-000	12	003349-009	14
001145-000	12	003349-010	14
001348-000	5	003349-011	14
001361-000	10	003349-012	14
001436-000	10	003349-013	14
001437-000	10	003349-014	14
001625-000	10	003415-000	17
001706-000	22	003439-000	14
001731-000	1	003515-000	7
001754-000	2	005311-000	13, 21
001914-000	3	006197-000	19
002281-000	22	006766-000	23
002884-000	7	008090-000	10
002888-000	6	013213-000	7
002889-000	6	050172-000	7
003083-000	13, 21	068456-000	19
003143-000	4	068457-000	11
003208-000	22	A1001138	7
003226-000	17	A1002596	21
003348-000	14	A1005571	11
003348-002	14	A1007861	10
003348-003	14	A2000210	6
003348-004	14	A20010137	19
003348-005	14	A20010139	11
003348-006	14	A20010693	8
003348-007	14	A2001112	22
003348-008	14	A20015315	20
003348-009	14	A2002189	20
003348-010	14	A2002367	20
003348-011	14	A2002497	20
003348-012	14	A2002595	21
003348-013	14	A2004424	19
003348-014	14	A2004434	19
003349-000	14	A2004481	14



A2005579	11	C9002528AL	20
A2005583	18	C9002528BK	20
A2005584	14	C9002528BT	20
A2008467	21	C9002528BU	20
B1007913	13, 21	C9002528CB	20
B2001241	14	C9002528EP	20
B2001448	5	C9002528FG	20
B2002345	22	C9002528GG	20
B2002346	22	C9002528LE	20
B2002504	12	C9002528MJ	20
B2002528	20	C9002528SG	20
B2004415	19	C9002528VB	20
B2005589	5	C9002528WH	20
B2005683	14	C9005683AL	14
B9202374	7	C9005683BK	14
C9001241AL	14	C9005683BT	14
C9001241BK	14	C9005683BU	14
C9001241BT	14	C9005683CB	14
C9001241BU	14	C9005683EP	14
C9001241CB	14	C9005683FG	14
C9001241EP	14	C9005683GG	14
C9001241FG	14	C9005683LE	14
C9001241GG	14	C9005683MJ	14
C9001241LE	14	C9005683SG	14
C9001241MJ	14	C9005683VB	14
C9001241SG	14	C9005683WH	14
C9001241VB	14	C9302345BR	22
C9001241WH	14	C9302346BR	22
C9002504AL	12	E91012614	21
C9002504BK	12	E9102668	12
C9002504BT	12	E9107933	21
C9002504BU	12	E9107934	21
C9002504CB	12	G30010697	8
C9002504EP	12	G30013336	8
C9002504FG	12	G3001584	7
C9002504GG	12	G3001876	5
C9002504LE	12	G4008493	9
C9002504MJ	12	G50013584BK	22
C9002504SG	12	G50013584WH	22
C9002504VB	12	G9104482	21
C9002504WH	12	G93011461PVD	8



J2101749	8	PD010016	22
M0210443	21	PD010019	12, 20
PA010012	17	PD020002	12, 20, 22
PA020028	22	PD020004	6, 7, 10, 12, 13, 14, 20, 21, 22
PA020056	17	PD020010	21
PA020058	7	PD020013	13, 21
PA030002BK	22	PD020014	17
PA030002WH	22	PD020032	12, 13, 14, 20, 21, 22
PA060037	22	PD020033	7
PA070003	7	PD020044	7
PA080015	22	PD020046	7
PA080036	22	PD020048	5, 11, 13, 18, 19, 21
PA080037	22	PD020060	5, 10, 11, 13, 14, 17, 18, 19, 21
PB010206	7	PD020063	21
PB010207	7	PD020079	8
PB010209	7	PD030006	7, 12
PB020136	11, 17	PD030018	5, 11, 19
PB030006	7	PD030029	7
PB040027	5	PD040004	8
PB040040	5	PD040028	8
PB040062	11	PDB050077	10
PB040170	19	PE010030	12
PB040171	5	PE010031	12
PB040178	5	PE010068	12
PB040190	10	PE010076	12
PB040229	11	PE010081	7
PB040246	19	PE010082	7
PB040265	19	PE030001PVD	12, 20
PB040273	11	PE030005	20
PB050080	11	PE030008	12
PB060030	13, 21	PE030012PVD	20
PB060044	21	PE030014PVD	12
PB060046	13	PE050001	17
PB070145	12, 12, 20, 20	PE050016	7
PC020222	12, 20	PE050023	7
PC020223	20	PE050024	7
PC020295	13, 21	PE050057	21
PC030017	14	PE050206	5, 10, 13
PC040010	6, 22	PE060030	20
PD010003	7	PE060031	20
PD010012	7	PE060032	12



PE060039	20
PE060045	20
PE060046	12
PE060048	12
PE060049	12
PE070245	15
PE070890	16
PK000007	6
PK000008	6