

# **VGIC486-4GQ**

000649-000 GRILL IGNITOR WIRE .....	1
001754-000 POWER DISCONNECT HAR .....	2
001911-000 BAKE IGNITER WIRE .....	3
001993-000 GRIDDLE IGNITOR WIRE .....	4
BROIL IGNITER WIRE .....	5
BROILER AREA .....	6
BURNER BOX INTERIOR .....	7
CONTROL AREA .....	8
DRIP TRAY .....	9
G4008493 SUPPLY CORD .....	10
GRIDDLE SUBASSEMBLY .....	11
GRILL SUBASSEMBLY .....	12
IRIS HARNESS .....	13
LH BAKE IGNITER WIRE .....	14
LH DOOR ASSEMBLY .....	15
LH OVEN BAKE AREA .....	16
LH OVEN MAIN CAVITY .....	17
LOWER UNIT AND SIDE PANELS .....	18
PE070245 LIGHT EXT. HARNESS .....	19
REAR ELECTRONICS AND GAS FLOW .....	20
REAR SHEET METAL .....	21
RH DOOR ASSEMBLY .....	22
RH OVEN BAKE AREA .....	23
RH OVEN MAIN CAVITY .....	24
SURFACE COOKING AREA .....	25
TOP BURNER IGNITER WIRES .....	26
WIRE HARNESS VGIC48-4GQ .....	27
WIRING DIAGRAM .....	28
Appendix A:Pages Index .....	A
Appendix B:Parts Index .....	B

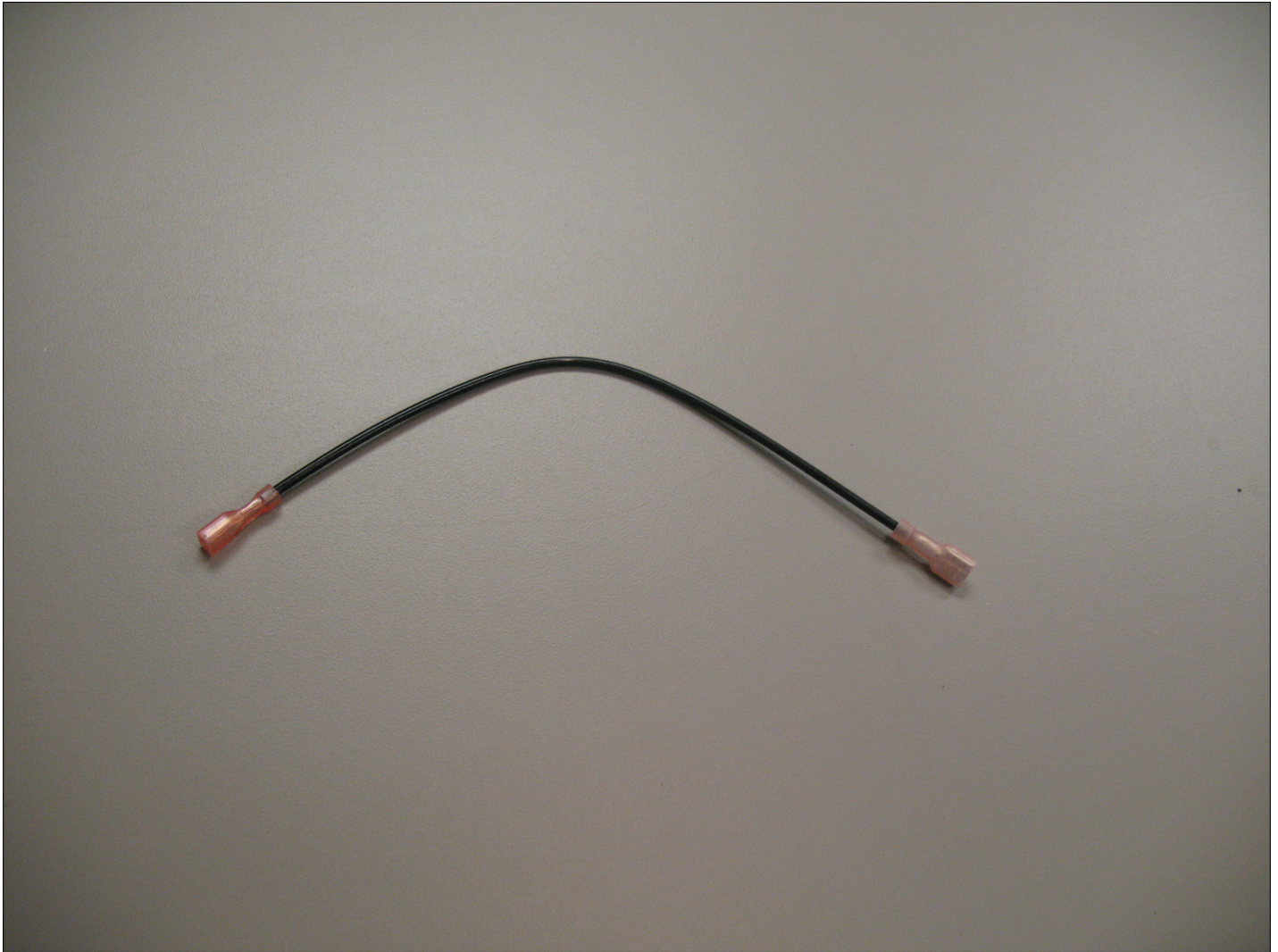






VGIC486-4GQ

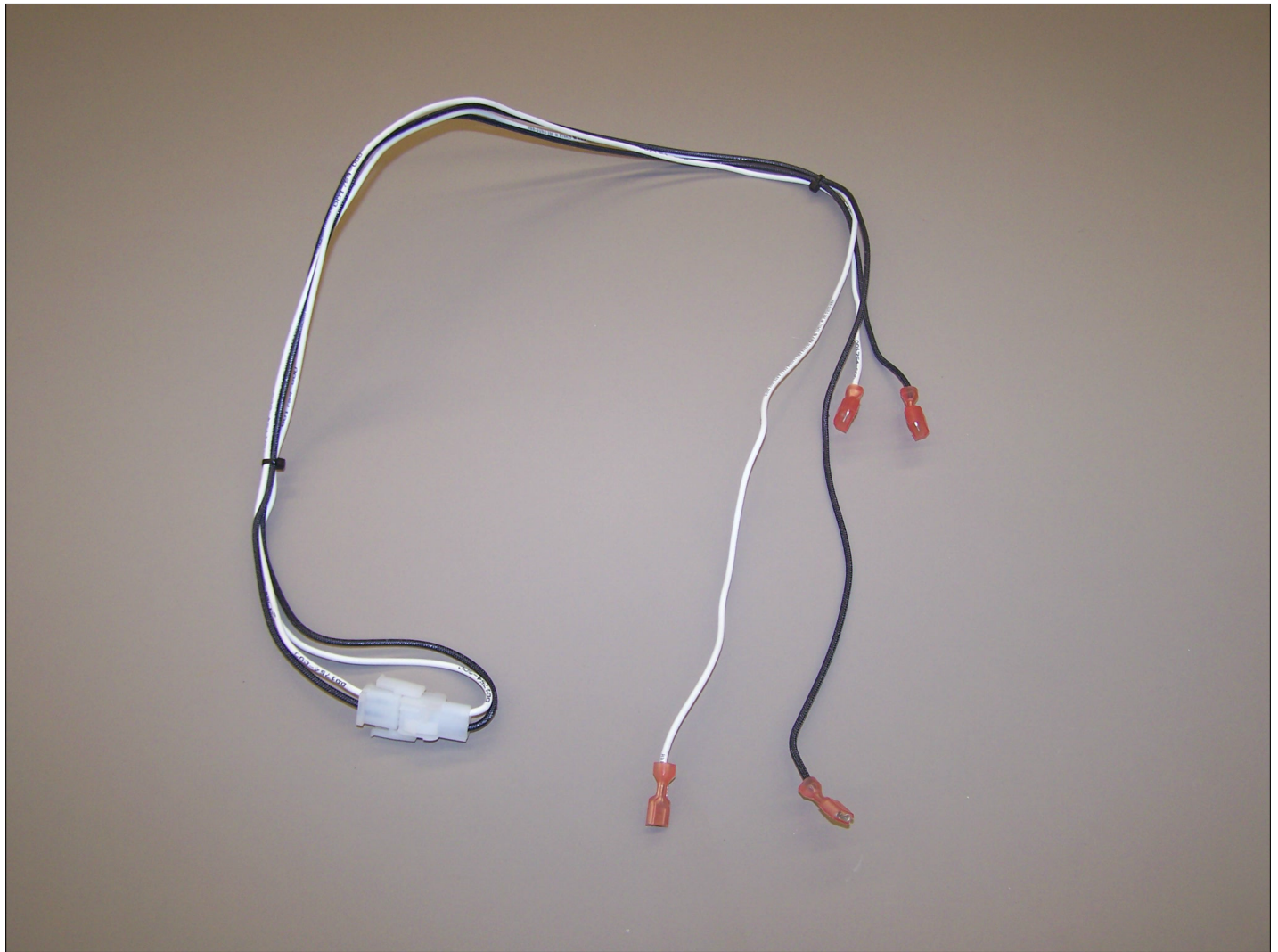
000649-000 GRILL IGNITOR WIRE





Item	Part No.	Name	Qty	Uom	NOTES
1	000649-000	IRIS IGNITOR WIRE, GRILL	1	EA	

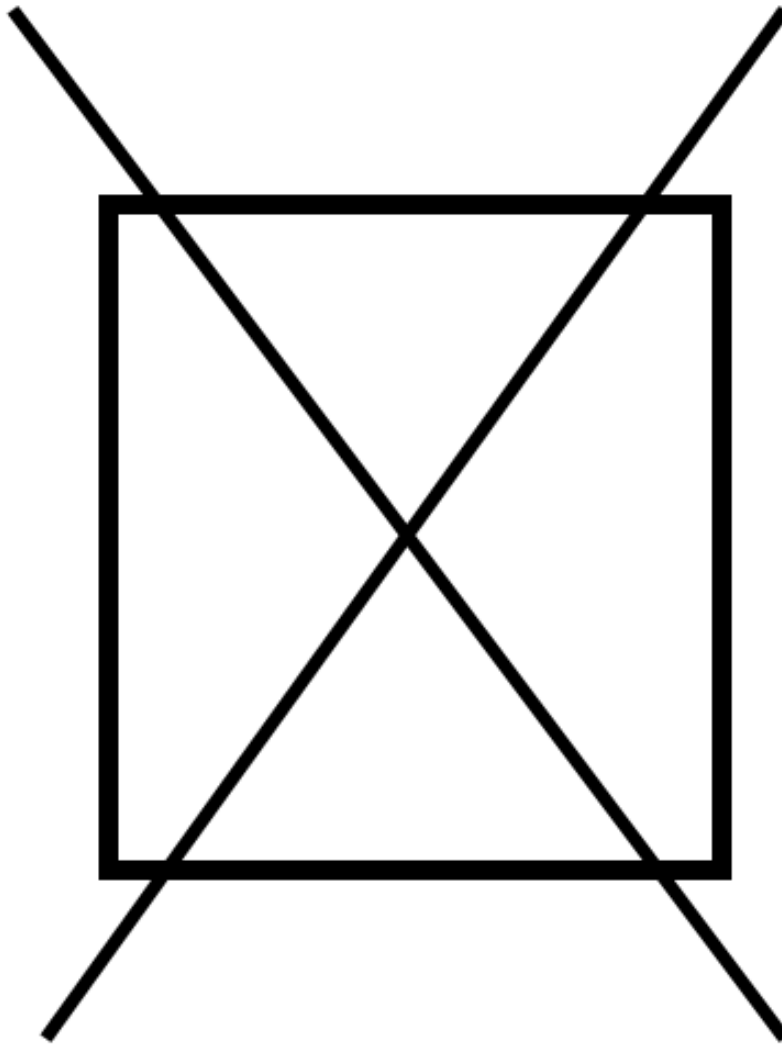
001754-000 POWER DISCONNECT HAR





Item	Part No.	Name	Qty	Uom	NOTES
1	001754-000	HARNESS POWER DISCONNECT	1	EA	

NON  
ILLUSTRATED PART

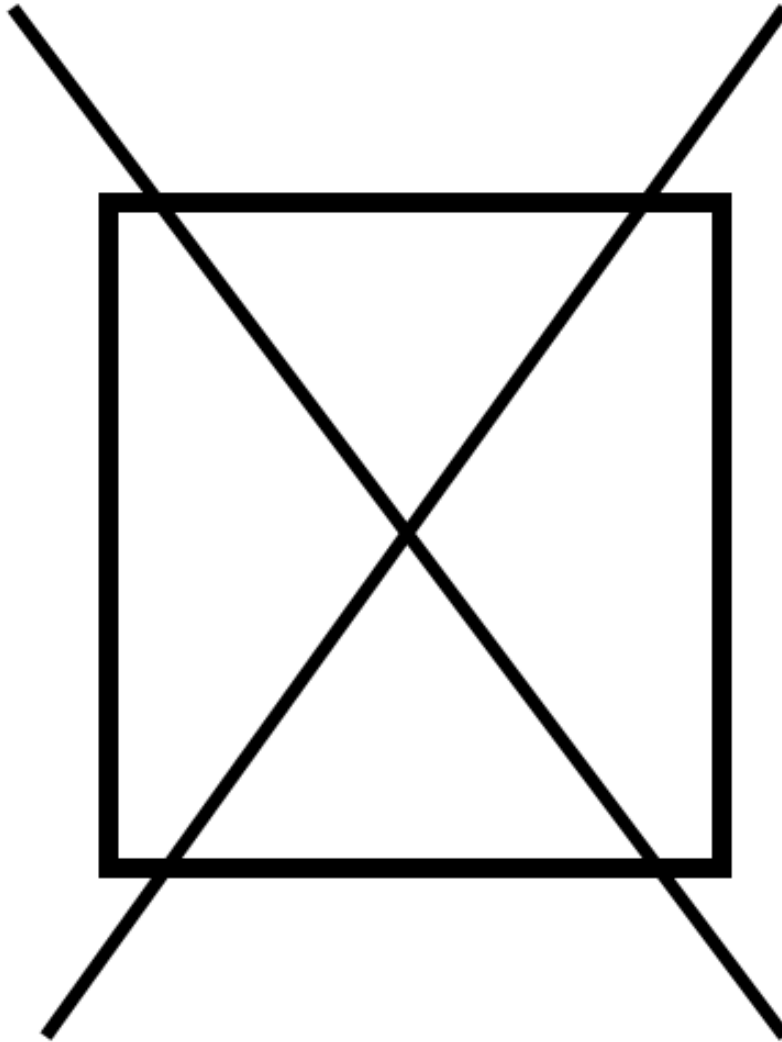




Item	Part No.	Name	Qty	Uom	NOTES
1	001911-000	WIRE, ASSY, BAKE IGNITOR	1	EA	



NON  
ILLUSTRATED PART





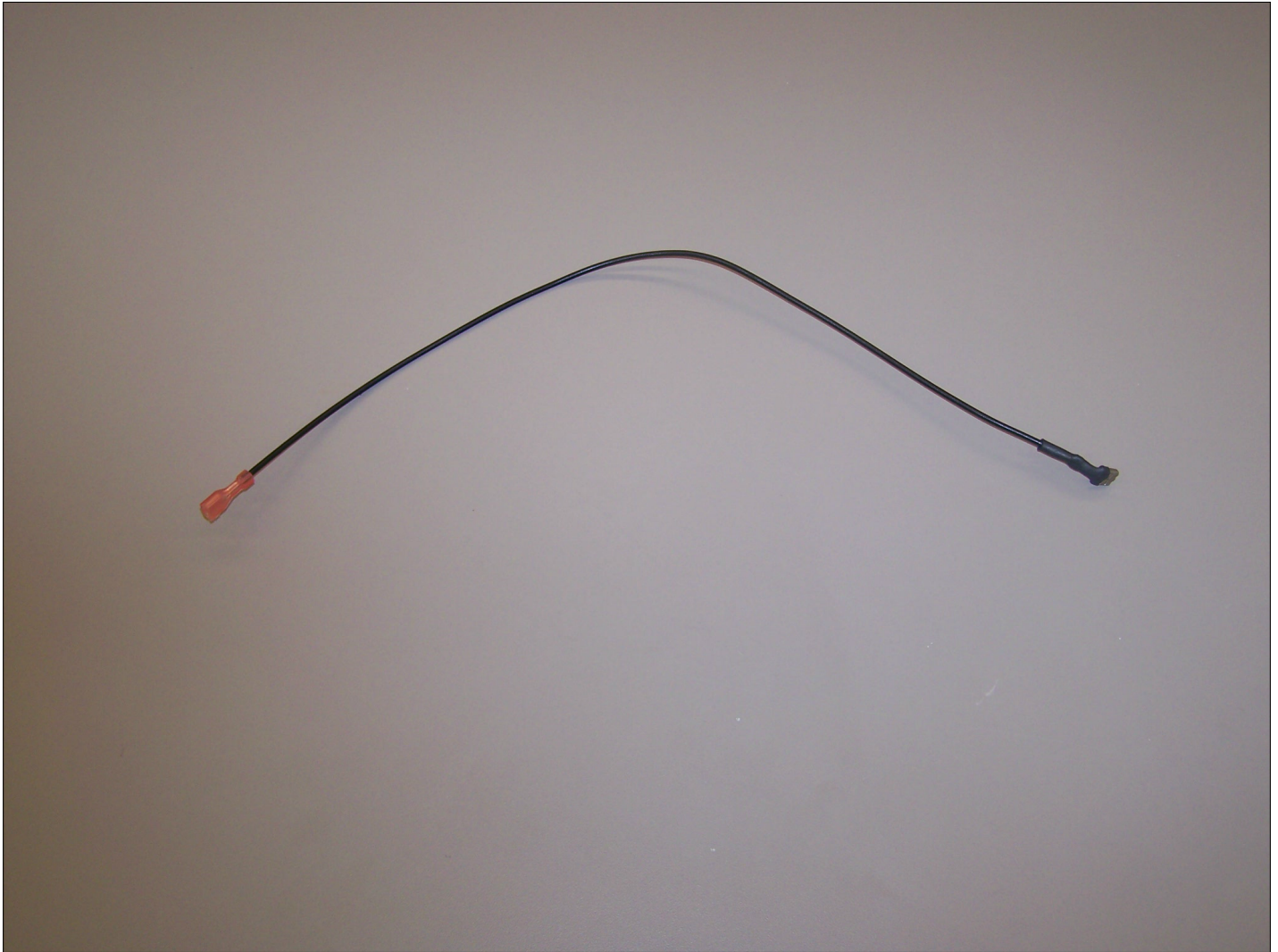


Item	Part No.	Name	Qty	Uom	NOTES
1	001993-000	WIRE,ASSY,GRIDDLE IGNITOR	1	EA	



VGIC486-4GQ

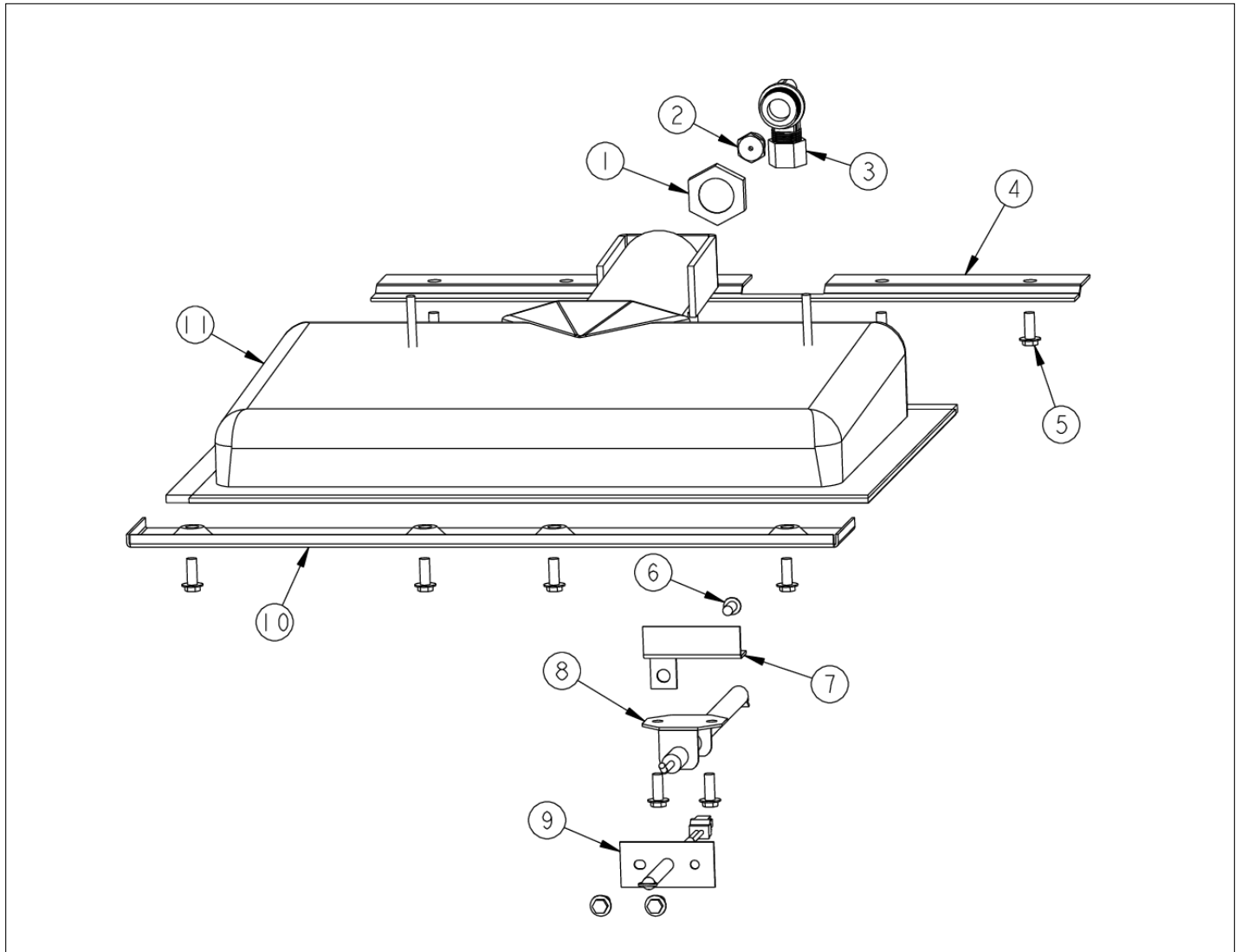
BROIL IGNITER WIRE





Item	Part No.	Name	Qty	Uom	NOTES
1	001914-000	WIRE, ASSY, BROIL IGNITOR	1	EA	

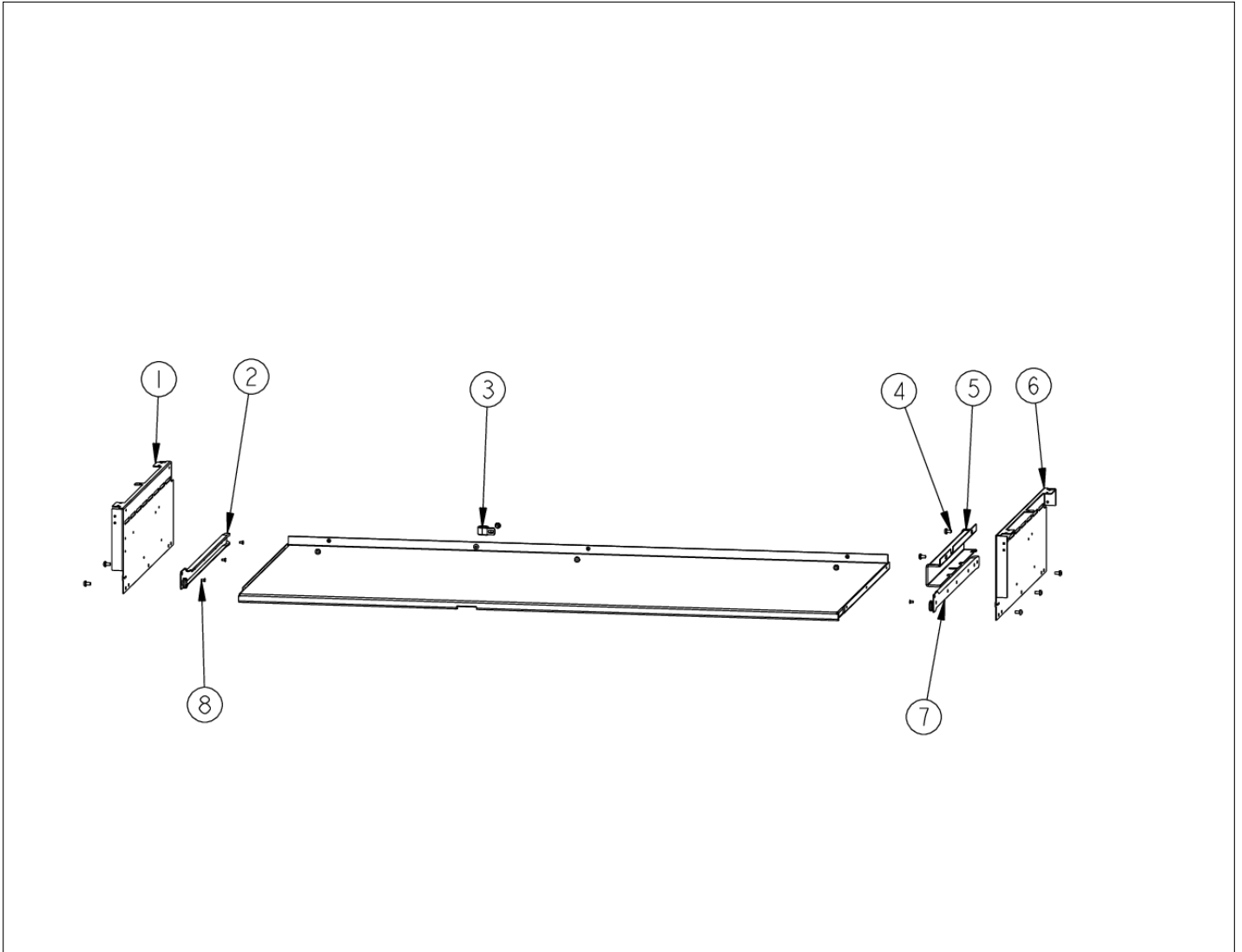
BROILER AREA





Item	Part No.	Name	Qty	Uom	NOTES
1	PD030018	PALNUT - 3/4-16	1	EA	
2	PB040040	ORIFICE-IR BURNER (VGSC)	1	EA	
Not Shown	PB040027	IR BUR.SPUD ORF. - #56 LP	1	EA	
3	PB040178	90 DEGREE ORIFICE FITTING (VGSC306)	1	EA	
4	B2005589	REAR BROILER BRACKET	1	EA	Not available online / Call for pricing and availability
5	PD020048	NO.10 X 1/2 TEK 410 SS SCREW	1	EA	
6	PD020060	10 X 1/2" (5/16)HEX WSHER HD.(T)A	1	EA	
7	001348-000	BROIL INSULATION RETAINER	1	EA	NO LONGER AVAILABLE
8	PB040171	BROIL IGNITION ELECTRODE	1	EA	
9	PE050206	RTD THERMOSTAT PROBE	1	EA	
10	B2001448	IR BROIL SUPT (FRONT)	1	EA	
11	G3001876	IR BURNER ASSY (VGSC/RC) N/S	1	EA	

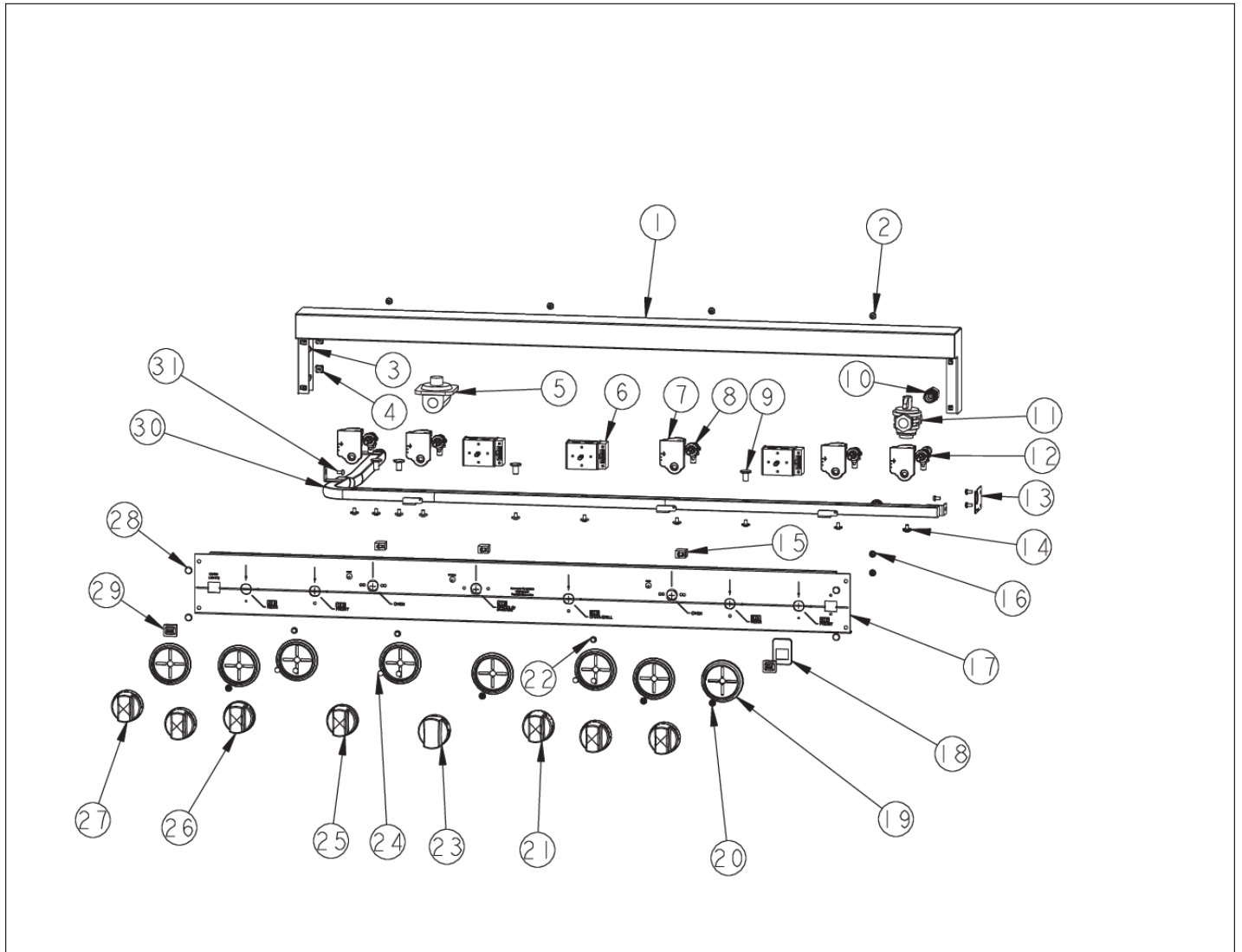
BURNER BOX INTERIOR





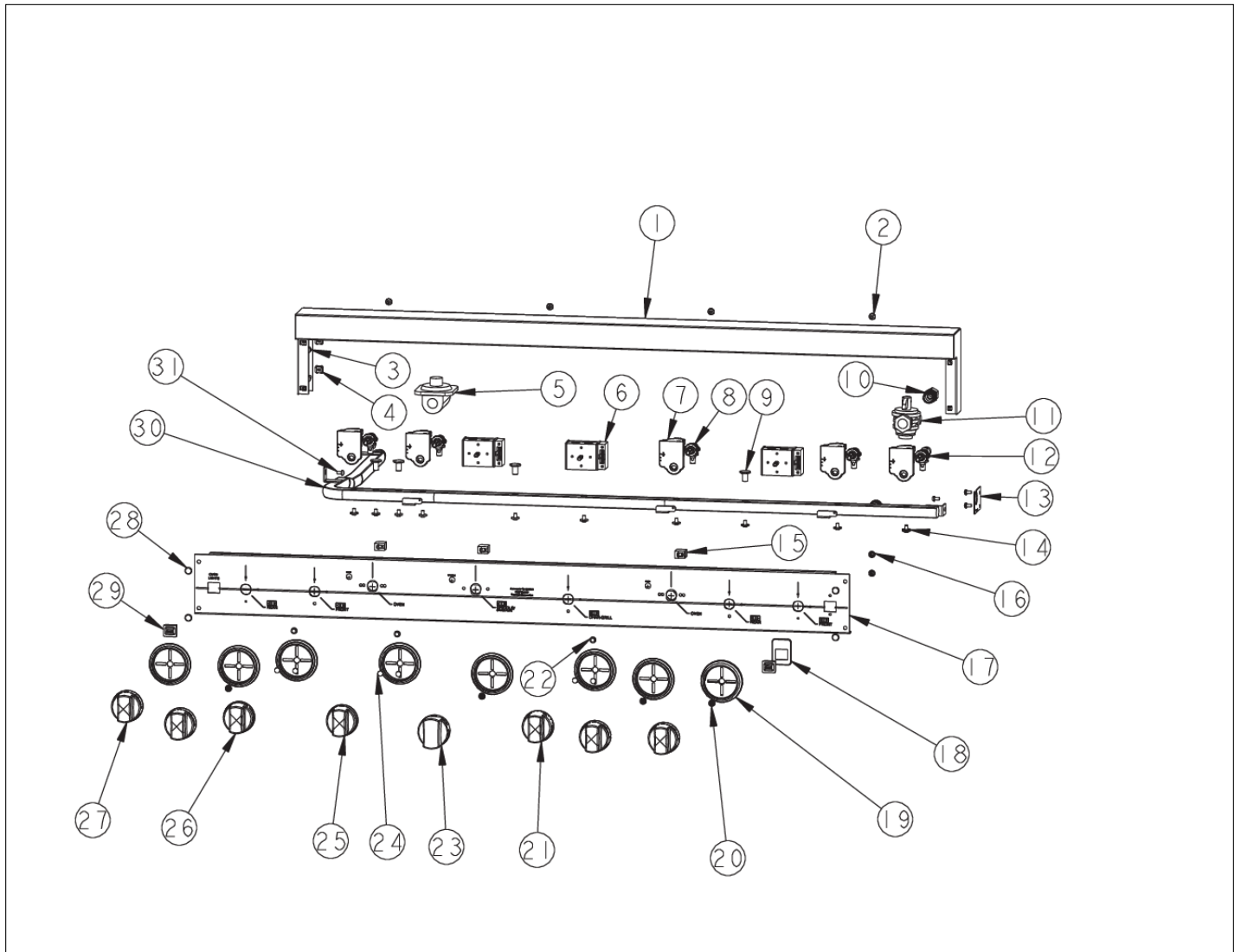
Item	Part No.	Name	Qty	Uom	NOTES
1	A2000210	WIRE CHANNEL	1	EA	NO LONGER AVAILABLE, Not available online / Call for pricing and availability
2	002888-000	BURNER BOX SIDE-RH	1	EA	NO LONGER AVAILABLE, Not available online / Call for pricing and availability
3	PD020004	10X3/8PH.HD.TYPE 25 REPL PD040125	1	EA	
4	PK000008	Drip Tray Guide - RH	1	EA	NO LONGER AVAILABLE
5	PC040010	POP RIVET (.063/GR -.125) GAMD42-A	1	EA	
6	PK000007	DRIP TRAY GUIDE - LH (VGRT)	1	EA	NO LONGER AVAILABLE
7	002889-000	BURNER BOX SIDE-LH	1	EA	NO LONGER AVAILABLE, Not available online / Call for pricing and availability

CONTROL AREA





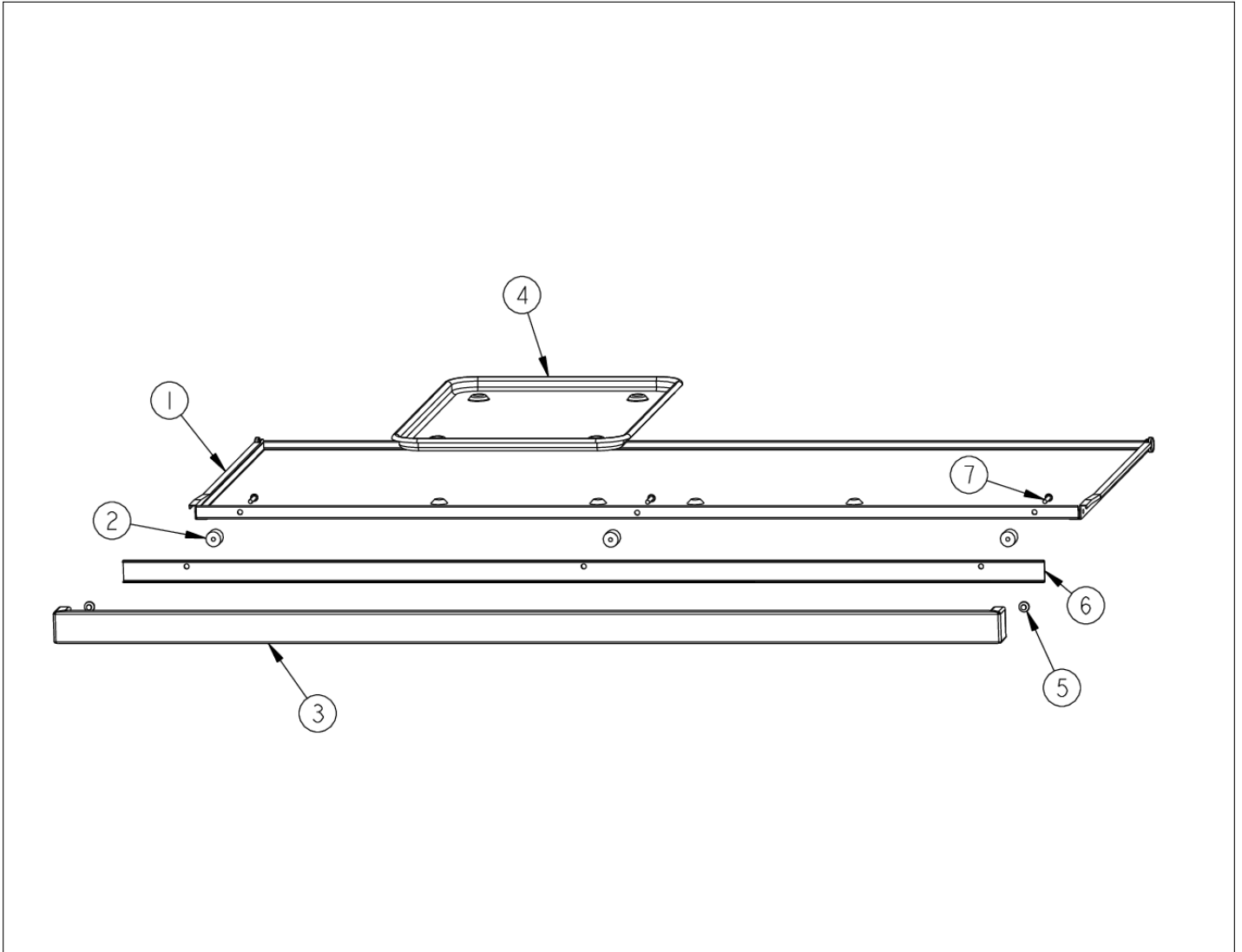
Item	Part No.	Name	Qty	Uom	NOTES
1	G3001584	LANDING LGD 48"	1	EA	
2	PD020002	10 X 1/2 PH.TR.HD.SMS.	1	EA	
3	PD010003	10-24 X 1/2 PH.TR.HD.SERD.M.S.	1	EA	
4	PD030029	SELF RETAINING NUT (1/4-20)	1	EA	
5	PA070003	PRESSURE REGULATOR	1	EA	
6	013213-000	TSTAT, SMPS, ELEC, 2-POS, .91" SHAFT, CB	1	EA	
7	PA020058	IRIS SINGLE SPARK MODULE	1	EA	
8	003517-000	PA010158 VALVE AND BOLT KIT	1	EA	
Not Shown	000633-000	TOP BURNER VALVE - LP	1	EA	
9	002884-000	MANIFOLD PLUG	1	EA	
10	000845-000	1/2" COMP TO 1/2" MALE NPT ADAPTER	1	EA	
11	PD030006	CAPPED WASHER PAL NUT	1	EA	
12	PA010185	GRILL VALVE - NLA	1	EA	
13	A1001138	MANIFOLD BRKT	1	EA	NO LONGER AVAILABLE, Not available online / Call for pricing and availability
14	PD010012	1/4 x 3/8 VALVE BOLT	1	EA	
15	PE050024	OVEN IND. LIGHT (LIGHT HOUSING)	1	EA	
<p>Comments for Part Num. PE050024</p> <p>haarnink@vikingrange.com on Jan 14, 2019</p> <p>please note that the indicator light is now part 043135-000 but needs the Jumper harness 051443-000. and second option there are units in the field with a 230V indicator light part number 036566-000.</p> <p>please check this for all "E" module ranges/Tops</p>					
16	PB030006	SHUT-OFF VALVE (VGSO166)	1	EA	
17	B9202373	CTRL PAN- (VGRC485-4GQ )*SLK SCR*	1	EA	
18	PE010081	CONVECTION-LABEL/PLATE (CHROME)	1	EA	
Not Shown	PE010082	CONVECTION-LABEL/PLATE (*BR*)	1	EA	





Item	Part No.	Name	Qty	Uom	NOTES
19	050172-000	BEZEL, KNOB	1	EA	
Not Shown	PB010209	Bezel - BR	1	EA	
20	PD020046	' #8 X 1/2 SCREWS	1	EA	
21	000447-000	THERMOSTAT KNOB SELF-CLEAN (BK)	1	EA	
Not Shown	000447-006	OVEN KNOB WITH BROIL(WH)	1	EA	
22	PE050023	OVEN IND. LIGHT (LENS & BEZEL)	1	EA	
23	PA010122	VGRC/IC/RT GRILL KNOB (BK)	1	EA	
Not Shown	PA010123	VGRC/IC/RT GRILL KNOB (WH)	1	EA	
24	PD020044	#8-32 X 1/4" PH. TR. HD. M.S.	1	EA	
25	000448-000	GRIDDLE KNOB *BK*	1	EA	
Not Shown	000448-006	GRIDDLE KNOB (WH) - NLA	1	EA	NO LONGER AVAILABLE
26	000381-000	OVEN KNOB W/O BROIL	1	EA	
Not Shown	000381-006	OVEN KNOB W/O BROIL (WH) - NLA	1	EA	NO LONGER AVAILABLE
27	PB010206	TOP BURNER KNOB BK	1	EA	
Not Shown	PB010207	TOP BURNER KNOB WH	1	EA	Not available online / Call for pricing and availability
28	PD020033	SRW-#10-24X1/2"T(23)PH.WFR HD (NKL)	1	EA	
29	PE050016	OVEN LIGHT SWITCH - *BK* (WES-GAR)	1	EA	
Not Shown	PE050017	OVEN LIGHT SWITCH - *WH* (WES-GAR)	1	EA	
30	000930-000	48" MANIFOLD - NLA	1	EA	
31	PD020004	10X3/8PH.HD.TYPE 25 REPL PD040125	1	EA	
Not Shown	PD030005	SELF RETAINING NUT	1	EA	

DRIP TRAY



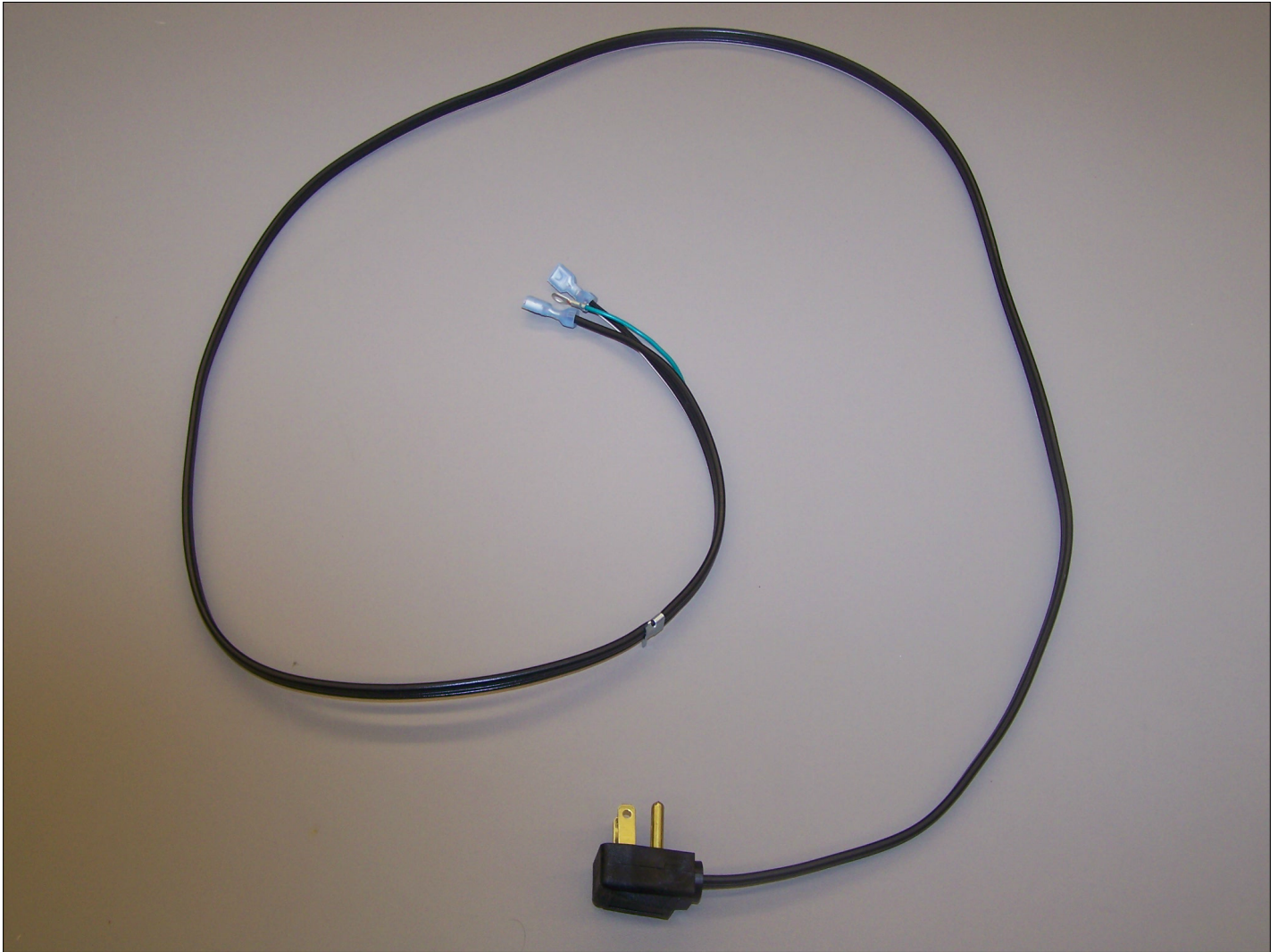


Item	Part No.	Name	Qty	Uom	NOTES
1	G30013336	48" DRIP TRAY ASSY. 6Q &4GQ - NLA	1	EA	
2	PD040028	BUSHING(.194ID/.750OD/.750L ONG)	1	EA	
3	G30010697	DRIP TRAY HANDLE ASSY 48"	1	EA	
Not Shown	G93011461PVD	DRIP TRAY HANDLE ASSY 48" PVD - NLA	1	EA	
4	J2101749	GREASE PAN	1	EA	
5	PD040004	GROMMET BUMPER	1	EA	
6	A20010693	DRIP TRAY HANDLE BACK 48	1	EA	
7	PD020079	#10 X 1 1/4 PH. PAN HD. T(A) NYLOK	1	EA	



VGIC486-4GQ

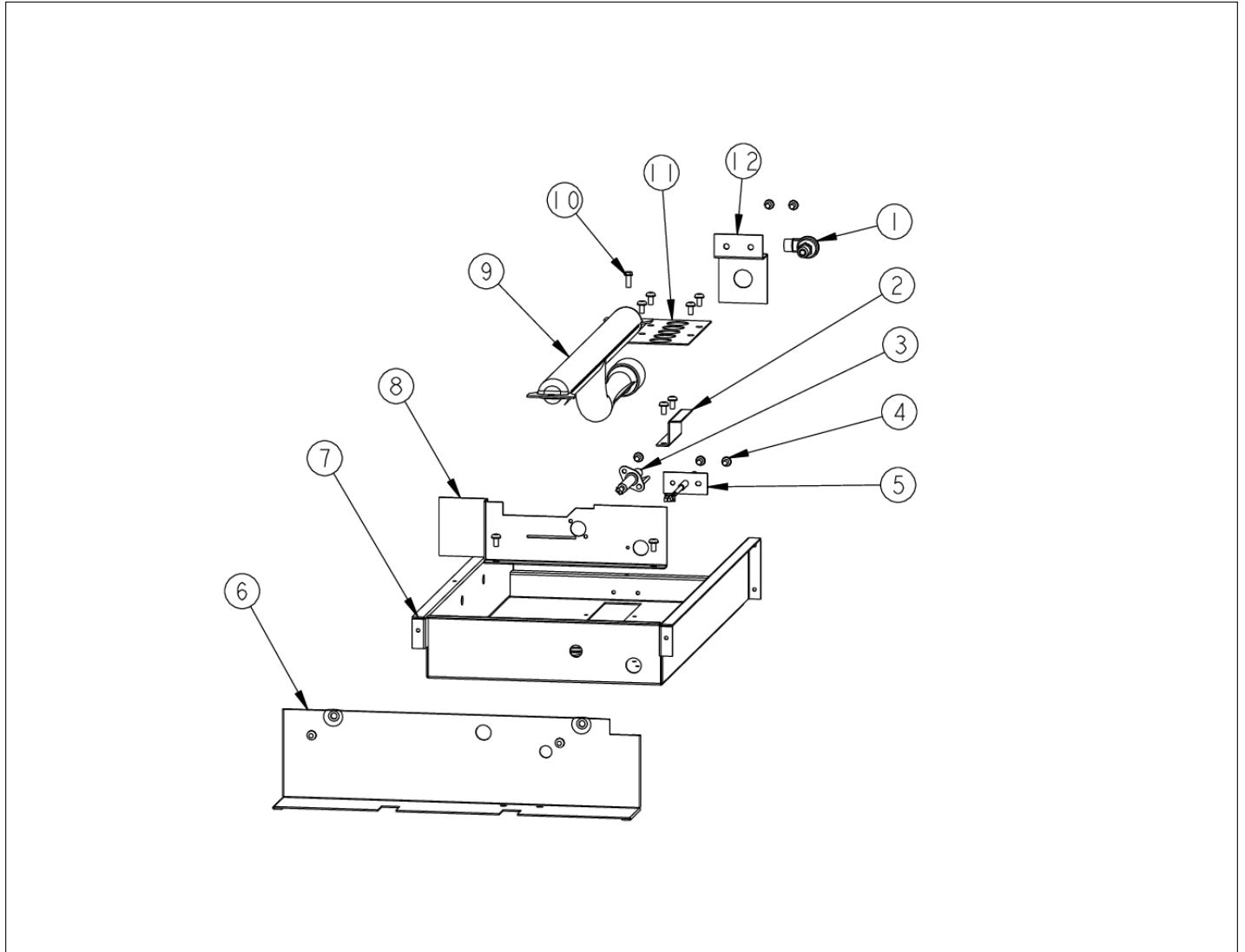
G4008493 SUPPLY CORD





Item	Part No.	Name	Qty	Uom	NOTES
1	G4008493	SUPPLY CORD ASSY- VGSU	1	EA	

GRIDDLE SUBASSEMBLY

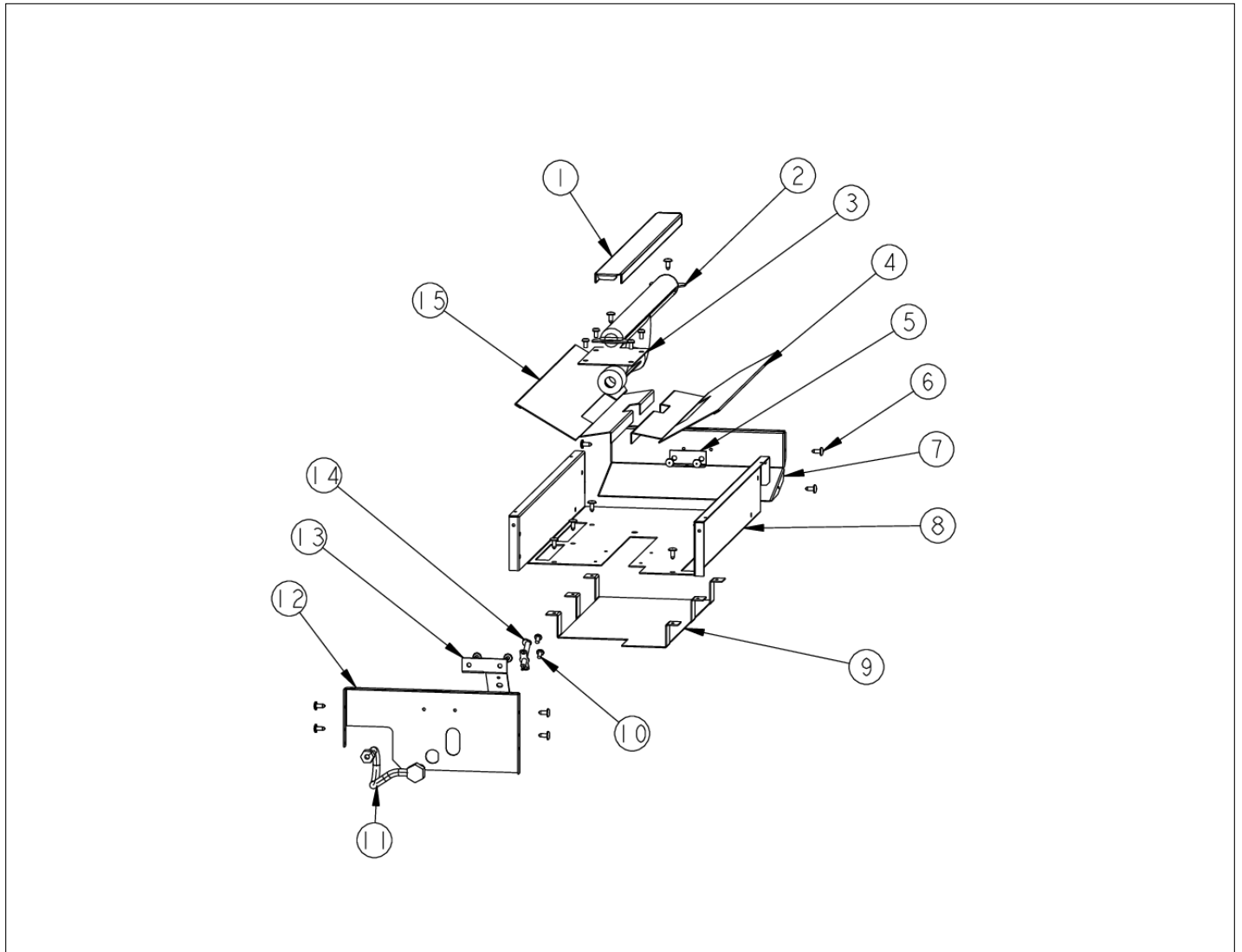






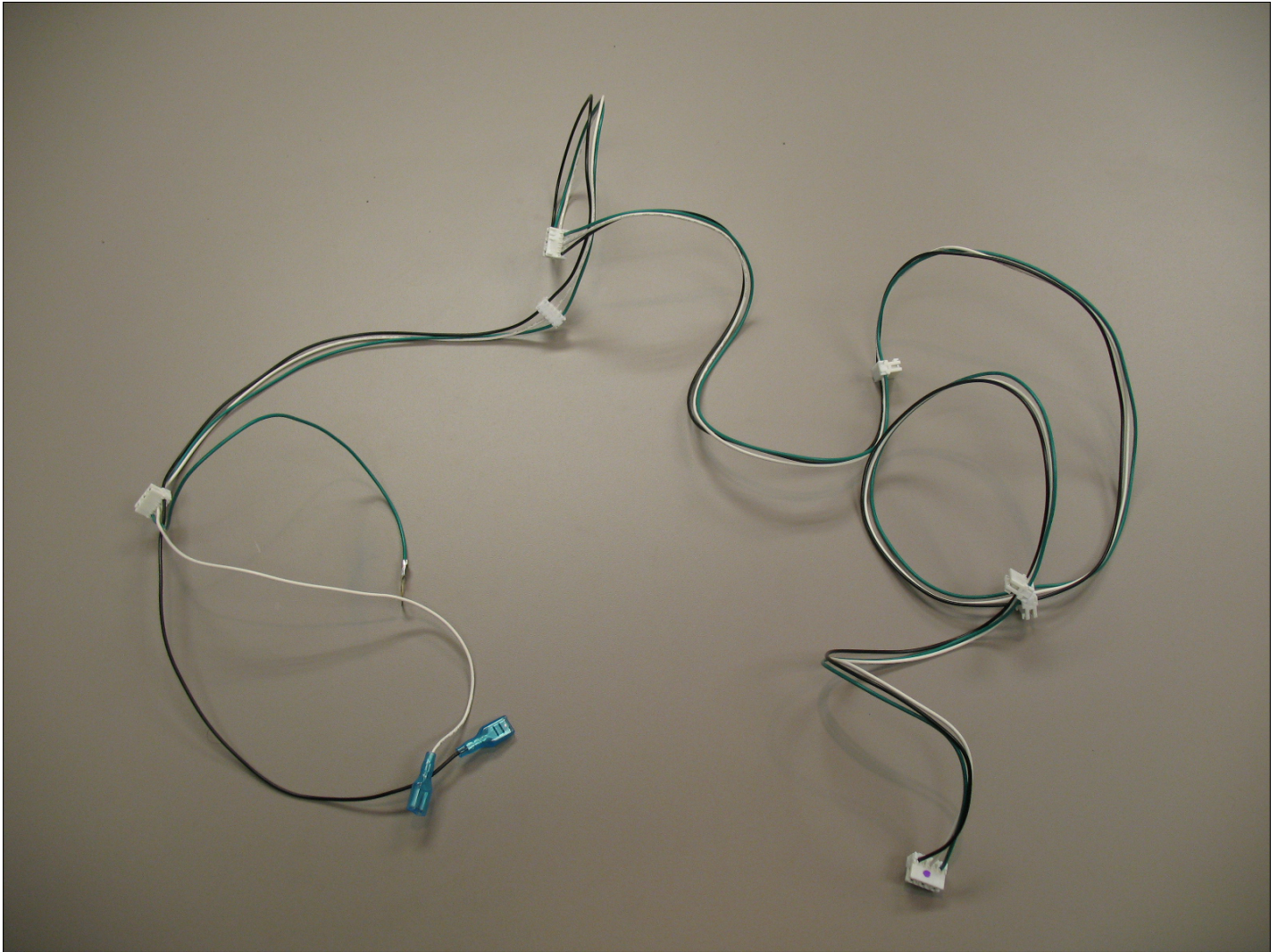
Item	Part No.	Name	Qty	Uom	NOTES
1	PB040190	90 DEGREE ORIFICE FITTING #50 NAT	1	EA	
2	000971-000	RTD GRIDDLE SHIELD - NLA	1	EA	NO LONGER AVAILABLE
3	008091-000	PB040288 IGNITOR KIT	1	EA	
4	PD020004	10X3/8PH.HD.TYPE 25 REPL PD040125	1	EA	
5	PE050206	RTD THERMOSTAT PROBE	1	EA	
6	001361-000	THERMOSTAT COVER	1	EA	NO LONGER AVAILABLE, Not available online / Call for pricing and availability
7	001437-000	GRIDDLE BOX	1	EA	NO LONGER AVAILABLE, Not available online / Call for pricing and availability
8	001436-000	GRIDDLE HEAT BAFFLE	1	EA	NO LONGER AVAILABLE, Not available online / Call for pricing and availability
9	PDB050077	GRIDDLE/GRILL BURNER	1	EA	Not available online / Call for pricing and availability
10	PD020060	10 X 1/2" (5/16)HEX WSHER HD.(T)A	1	EA	
11	A1007861	Griddle Venturi Cover	1	EA	Not available online / Call for pricing and availability
12	001625-000	GRIDDLE ORIFICE BRACKET	1	EA	NO LONGER AVAILABLE, Not available online / Call for pricing and availability

GRILL SUBASSEMBLY





Item	Part No.	Name	Qty	Uom	NOTES
1	B2001140	GRILL FLAME SHIELD (VGRT)	1	EA	
2	PB050077	GRILL BURNER	1	EA	
3	A1001862	GRILL VENTURI COVER (VGRC605)	1	EA	
4	B20010163	HEAT DEFLECTOR	1	EA	
5	A2001132	REAR GRILL BURNER BRKT (VGRT)	1	EA	
6	PD020002	10 X 1/2 PH.TR.HD.SMS.	1	EA	
7	A2001855	GRILL BACK - (VGRC605)	1	EA	
8	A2001852	GRILL BOX - (VGRC605)	1	EA	
9	A2001863	GRILL BTM SHIELD (VGRC605)	1	EA	
10	PD020004	10X3/8PH.HD.TYPE 25 REPL PD040125	1	EA	
11	PB020025	TUBING-GRILL (REVISED) REP PB020021	1	EA	
12	A2001631	GRILL BOX FRONT (VGRC)	1	EA	
13	A2001633	GRILL FRONT SPARKER BRKT (VGRC)	1	EA	
14	PA020028	SPARK IGNITER	1	EA	
15	B2009846	HEAT DEFLECTOR	1	EA	





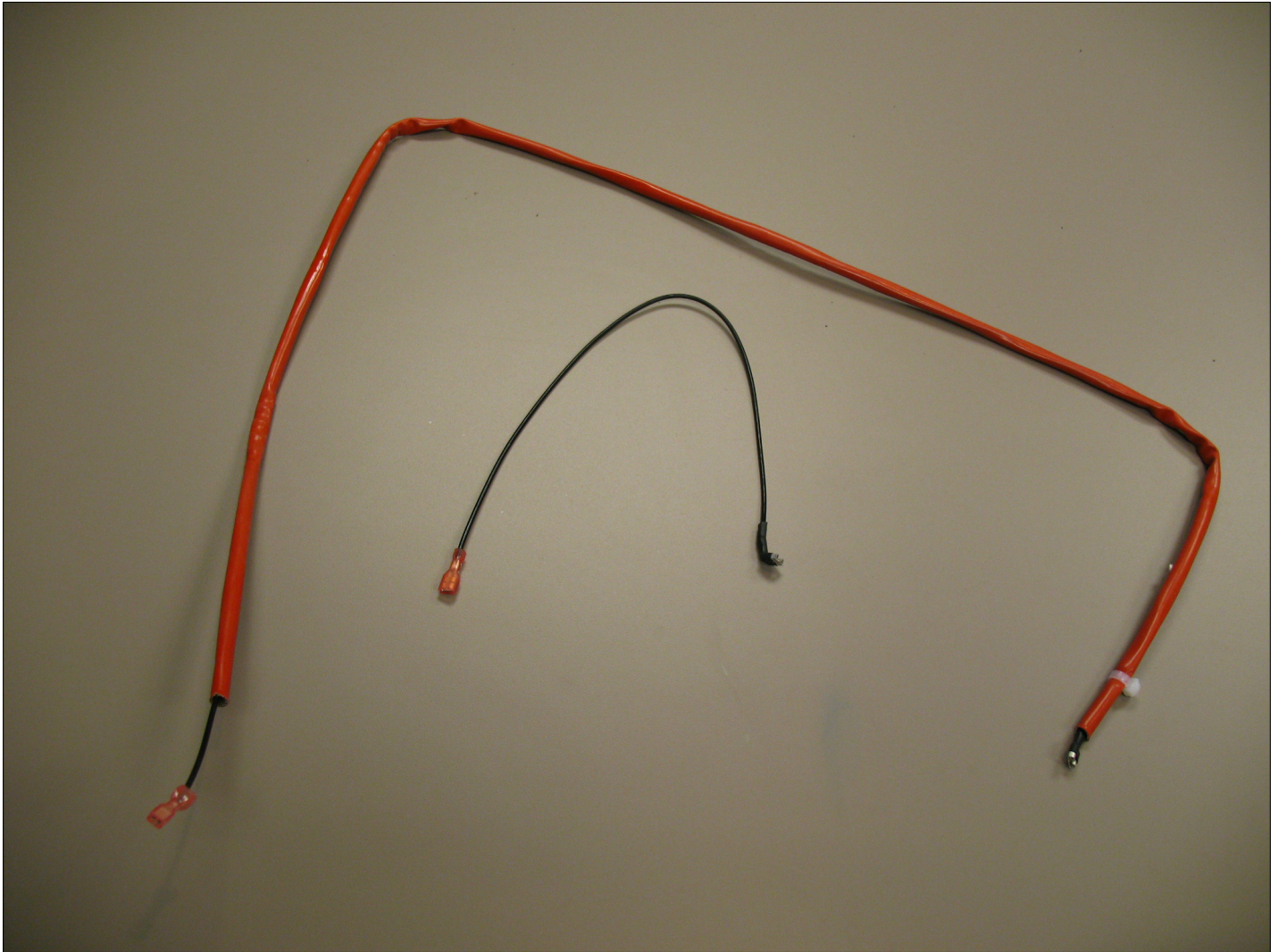
Item	Part No.	Name	Qty	Uom	NOTES
1	PE070891	IRIS HARNESS - 48"	1	EA	





VGIC486-4GQ

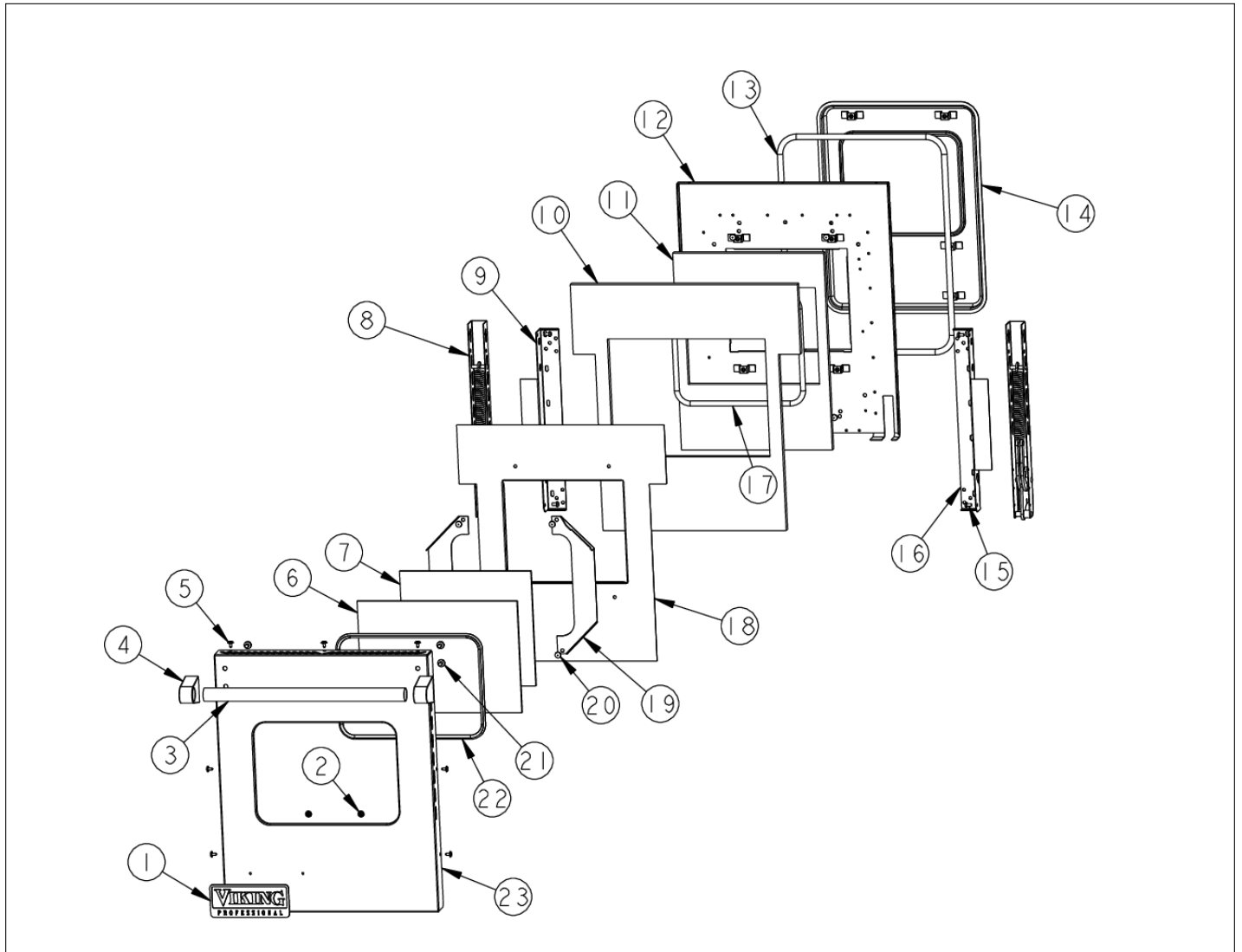
LH BAKE IGNITER WIRE





Item	Part No.	Name	Qty	Uom	NOTES
1	001992-000	WIRE,ASSY,LH BAKE IGNITOR	1	EA	

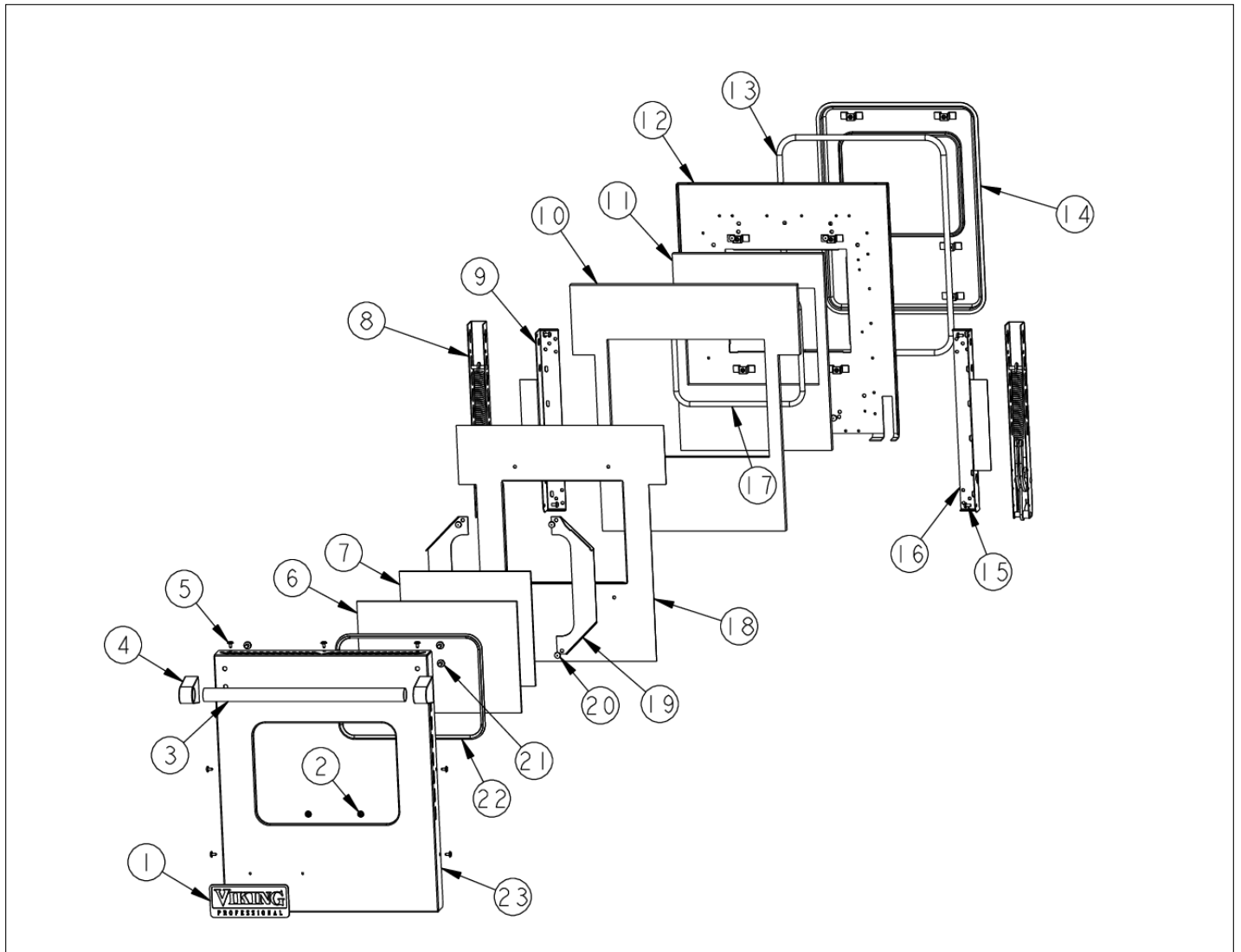
LH DOOR ASSEMBLY



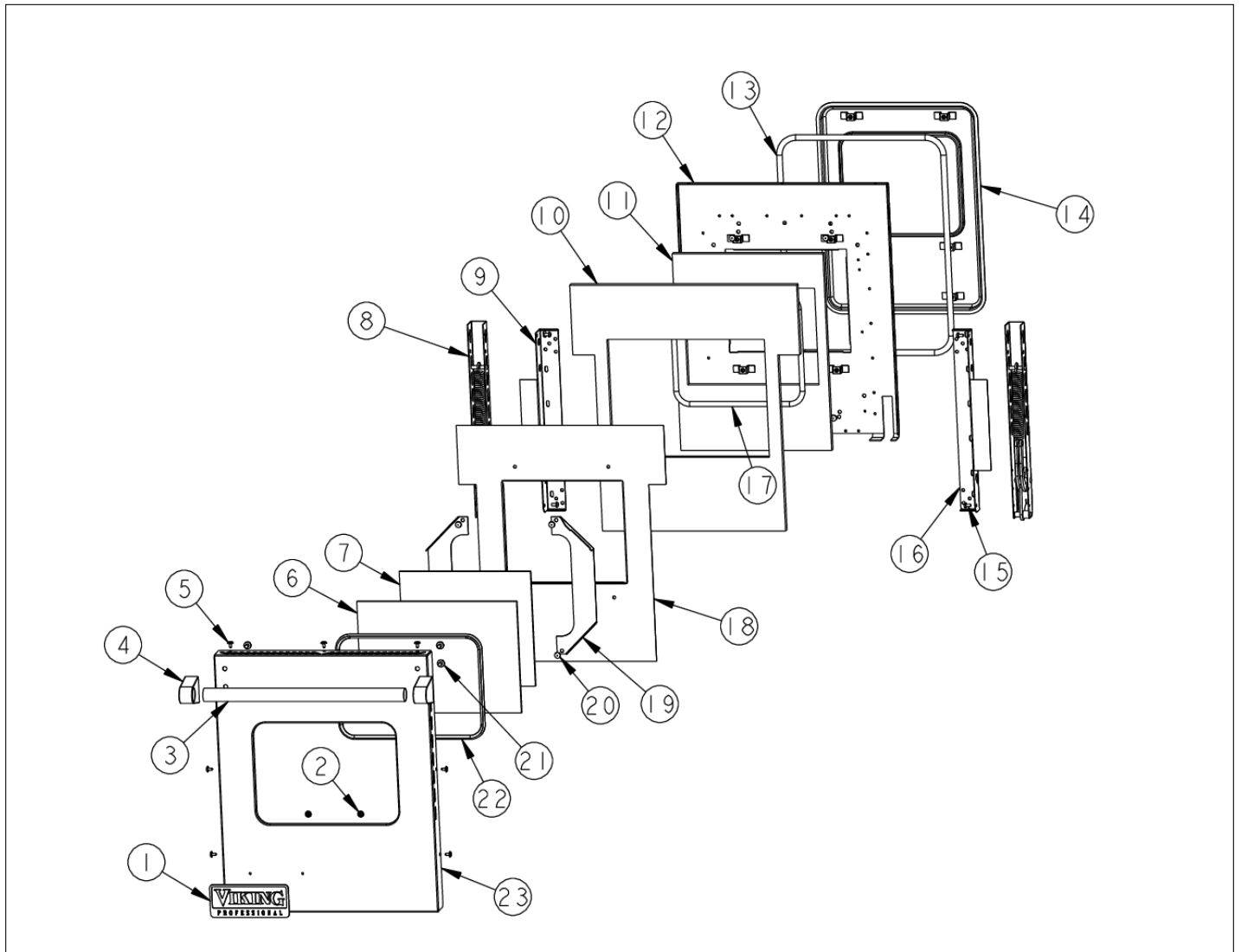




Item	Part No.	Name	Qty	Uom	NOTES
1	PE010030	LOGO	1	EA	
Not Shown	PE010068	LOGO 6" (VGRC) BK/BR	1	EA	
Not Shown	PE010031	LOGO 6" (VGRC) *BK/WH*	1	EA	NO LONGER AVAILABLE
Not Shown	PE010076	LOGO 6" (VGRC) *BR/WH*	1	EA	NO LONGER AVAILABLE
2	PD030006	CAPPED WASHER PAL NUT	1	EA	
3	PE030008	DOOR HANDLE - LH 48VGRC	1	EA	
PE030014	PE030014PVD	DOOR HANDLE - LH - (48") PVD	1	EA	
4	000268-000	HANDLE ENDCAP	1	EA	
Not Shown	PE030001PVD	END CAP DOOR HANDLE *BR	1	EA	
5	PD020032	SRW-8(A)X3/8"PH.WFR HD 7/16DIA*NICL	1	EA	
6	PE060049	GLASS LH *TE* DF48DOOR	1	EA	
7	PE060032	GLASS (HEAT BARRIER) LH DF48DOOR	1	EA	
8	PC020222	DOOR HINGE (SHORT SPRING) NSF	1	EA	
9	000932-000	DOOR HINGE BRACKET	1	EA	Not available online / Call for pricing and availability
10	PB070145	SUPERWOOL 5" X 24" X 3'	1	EA	
11	PB070145	SUPERWOOL 5" X 24" X 3'	1	EA	
12	001144-000	LINER, DOOR, PORCELAIN 48 LH	1	EA	NO LONGER AVAILABLE, Not available online / Call for pricing and availability
13	000080-000	48" LH DOOR GASKET	1	EA	
14	001145-000	PLUG, DOOR, PORCELAIN, 48 LH (Before 12/20/2012)	1	EA	
15	PD020004	10X3/8PH.HD.TYPE 25 REPL PD040125	1	EA	
16	000075-000	DOOR HINGE BRACKET	1	EA	Not available online / Call for pricing and availability
17	000594-000	BLACK FIBERGLASS ROPE 3/8	1	EA	

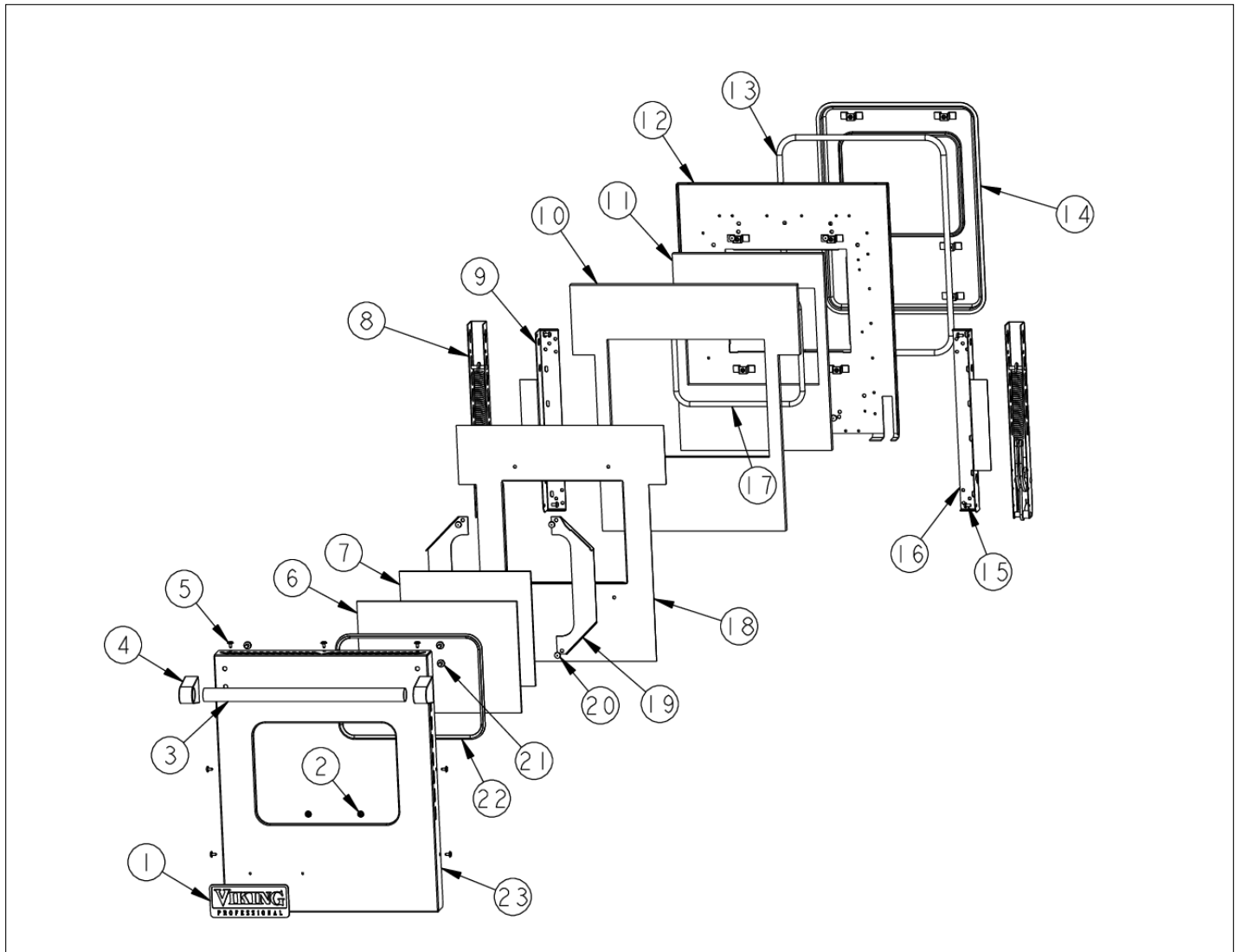


Item	Part No.	Name	Qty	Uom	NOTES
18	000939-000	INNER DOOR HEAT SINK	1	EA	NO LONGER AVAILABLE, Not available online / Call for pricing and availability
19	E9102668	WINDOW BRKT (O/S DOOR GLASS)	1	EA	Not available online / Call for pricing and availability
20	PD020002	10 X 1/2 PH.TR.HD.SMS.	1	EA	
21	PD010019	BLT-1/4-20X3/8"HEX WASHER SERATED	1	EA	
22	PE060046	J-MOLD LH SS (DF48 DOOR)	1	EA	
Not Shown	PE060048	J-MOLD LH *BR* (DF48 DOOR)	1	EA	NO LONGER AVAILABLE
23	B2002504	O/S DOOR PANEL LH *SS* (VDSC48)	1	EA	
Not Shown	C9002504AL	O/S DOOR PANEL-LH *AL* (VDSC48)	1	EA	NO LONGER AVAILABLE, Not available online / Call for pricing and availability
Not Shown	C9002504BK	O/S DOOR PANEL-LH *BK* (VDSC48)	1	EA	
Not Shown	C9002504BT	O/S DOOR PANEL-LH *BT* (VDSC48)	1	EA	NO LONGER AVAILABLE
Not Shown	C9002504BU	O/S DOOR PANEL-LH *BU* (VDSC48)	1	EA	
Not Shown	C9002504CB	O/S DOOR PANEL-LH *CB* (VDSC48)	1	EA	NO LONGER AVAILABLE
Not Shown	C9002504EP	O/S DOOR PANEL-LH *EP* (VDSC48)	1	EA	NO LONGER AVAILABLE, Not available online / Call for pricing and availability
Not Shown	C9002504FG	O/S DOOR PANEL-LH *FG* (VDSC48)	1	EA	NO LONGER AVAILABLE, Not available online / Call for pricing and availability
Not Shown	C9002504GG	O/S DOOR PANEL-LH *GG* (VDSC48)	1	EA	
Not Shown	C9002504LE	O/S DOOR PANEL-LH *LE* (VDSC48)	1	EA	NO LONGER AVAILABLE
Not Shown	C9002504MJ	O/S DOOR PANEL-LH *MJ* (VDSC48)	1	EA	NO LONGER AVAILABLE, Not available online / Call for pricing and availability



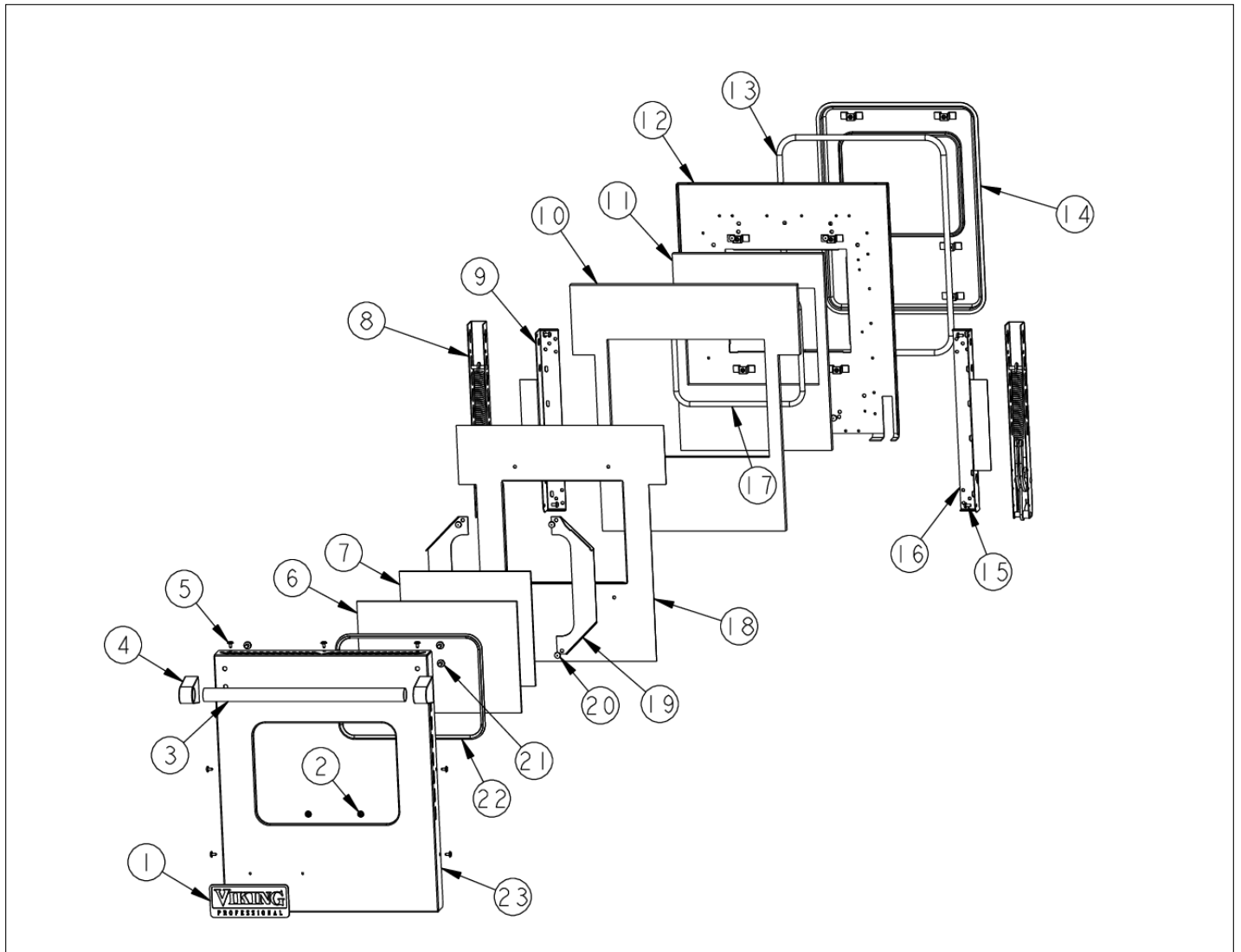


Item	Part No.	Name	Qty	Uom	NOTES
Not Shown	C9002504SG	O/S DOOR PANEL-SG *SG* (VDSC48)	1	EA	Not available online / Call for pricing and availability
Not Shown	C9002504VB	O/S DOOR PANEL-LH*VB* (VDSC48)	1	EA	NO LONGER AVAILABLE, Not available online / Call for pricing and availability
Not Shown	C9002504WH	O/S DOOR PANEL-LH *WH* (VDSC48)	1	EA	
NI	000946-007	COMPLETE DOOR ASSY. - AL	1	EA	Not available online / Call for pricing and availability
Not Shown	000946-107	COMPLETE DOOR ASSY. - ALBR	1	EA	Not available online / Call for pricing and availability
Not Shown	000946-002	COMPLETE DOOR ASSY. - BK	1	EA	Not available online / Call for pricing and availability
Not Shown	000946-102	COMPLETE DOOR ASSY. - BKBR	1	EA	Not available online / Call for pricing and availability
Not Shown	000946-003	COMPLETE DOOR ASSY. - BT	1	EA	Not available online / Call for pricing and availability
Not Shown	000946-103	COMPLETE DOOR ASSY. - BTBR	1	EA	Not available online / Call for pricing and availability
Not Shown	000946-008	COMPLETE DOOR ASSY. - BU	1	EA	Not available online / Call for pricing and availability
Not Shown	000946-108	COMPLETE DOOR ASSY. - BUBR	1	EA	Not available online / Call for pricing and availability
Not Shown	000946-013	COMPLETE DOOR ASSY. - CB	1	EA	Not available online / Call for pricing and availability
Not Shown	000946-113	COMPLETE DOOR ASSY. - CBBR	1	EA	Not available online / Call for pricing and availability





Item	Part No.	Name	Qty	Uom	NOTES
Not Shown	000946-014	COMPLETE DOOR ASSY. - EP	1	EA	Not available online / Call for pricing and availability
Not Shown	000946-114	COMPLETE DOOR ASSY. - EPBR	1	EA	Not available online / Call for pricing and availability
Not Shown	000946-011	COMPLETE DOOR ASSY. - FG	1	EA	Not available online / Call for pricing and availability
Not Shown	000946-111	COMPLETE DOOR ASSY. - FGBR	1	EA	Not available online / Call for pricing and availability
Not Shown	000946-005	COMPLETE DOOR ASSY. - GG	1	EA	Not available online / Call for pricing and availability
Not Shown	000946-105	COMPLETE DOOR ASSY. - GGBR	1	EA	Not available online / Call for pricing and availability
Not Shown	000946-009	COMPLETE DOOR ASSY. - LE	1	EA	Not available online / Call for pricing and availability
Not Shown	000946-109	COMPLETE DOOR ASSY. - LEBR	1	EA	Not available online / Call for pricing and availability
Not Shown	000946-010	COMPLETE DOOR ASSY. - MJ	1	EA	Not available online / Call for pricing and availability
Not Shown	000946-110	COMPLETE DOOR ASSY. - MJBR	1	EA	Not available online / Call for pricing and availability
Not Shown	000946-004	COMPLETE DOOR ASSY. - SG	1	EA	Not available online / Call for pricing and availability
Not Shown	000946-104	COMPLETE DOOR ASSY. - SGBR	1	EA	Not available online / Call for pricing and availability
Not Shown	000946-000	DOOR ASSY 48" LH - NLA	1	EA	NO LONGER AVAILABLE

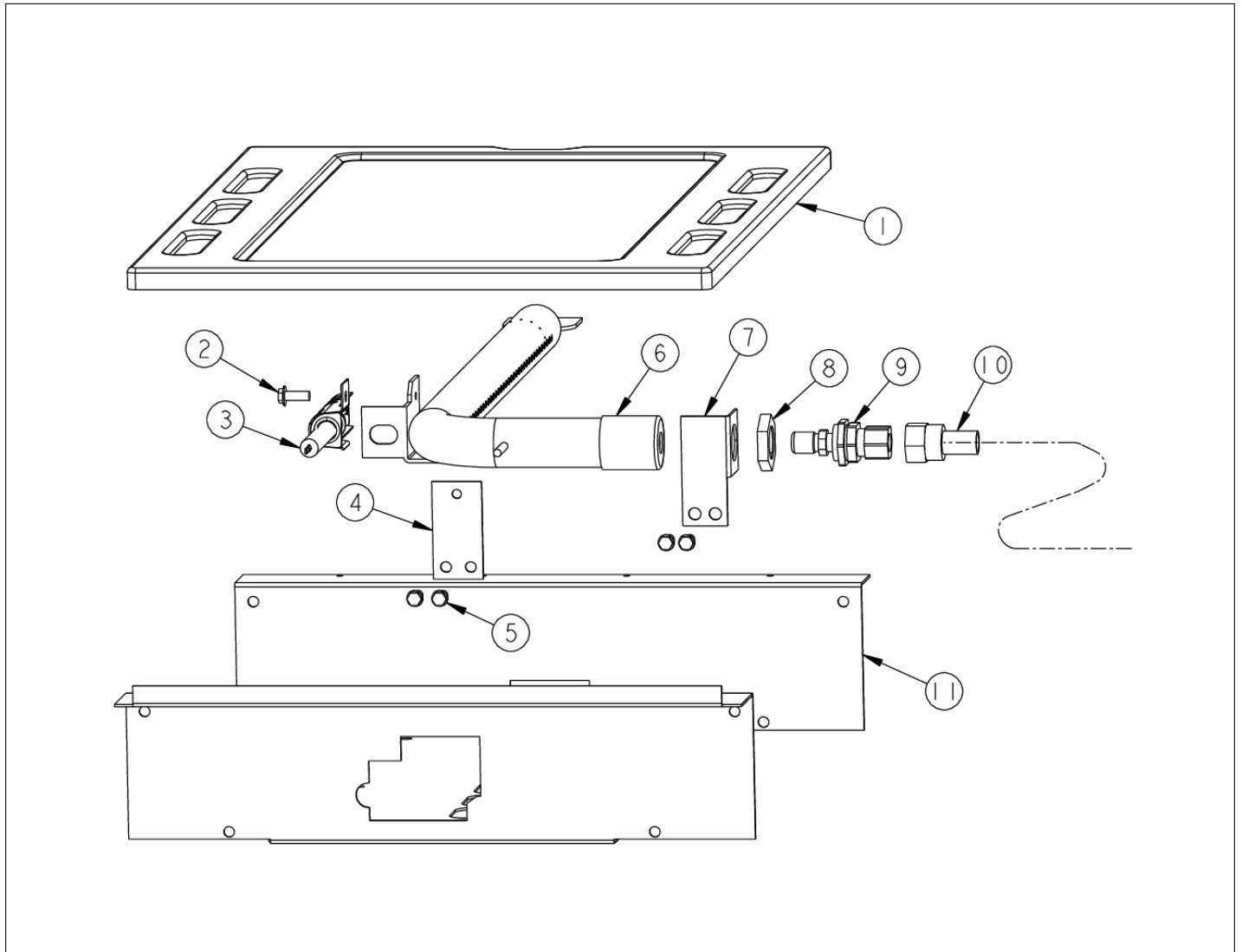






Item	Part No.	Name	Qty	Uom	NOTES
Not Shown	000946-100	DOOR ASSEMBLY, 48" LH (BR)	1	EA	NO LONGER AVAILABLE, Not available online / Call for pricing and availability
Not Shown	000946-012	COMPLETE DOOR ASSY. - VB	1	EA	Not available online / Call for pricing and availability
Not Shown	000946-112	COMPLETE DOOR ASSY. - VB BR	1	EA	Not available online / Call for pricing and availability
Not Shown	000946-006	COMPLETE DOOR ASSY. - WH	1	EA	Not available online / Call for pricing and availability
Not Shown	000946-106	COMPLETE DOOR ASSY. - WH BR	1	EA	Not available online / Call for pricing and availability

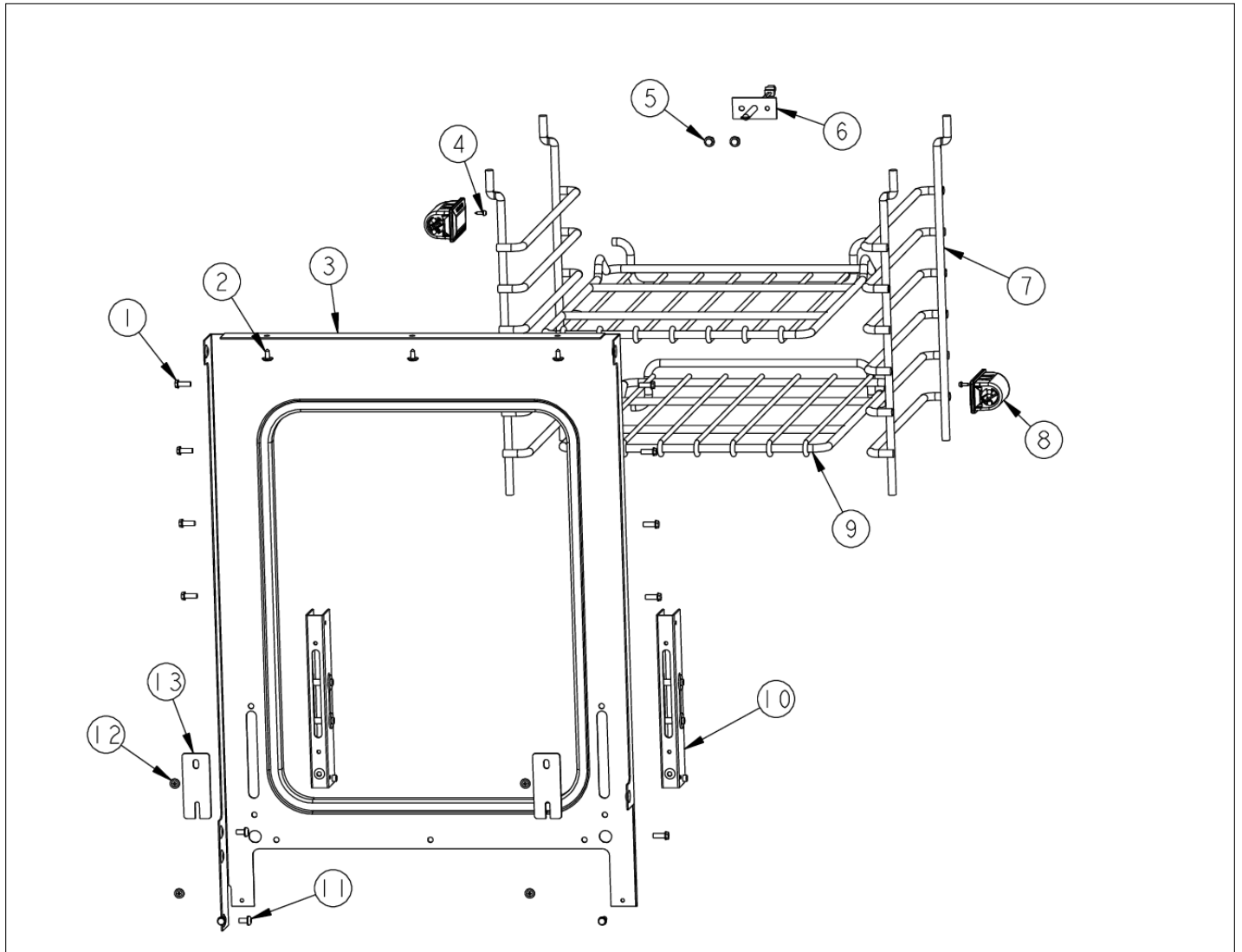
LH OVEN BAKE AREA





Item	Part No.	Name	Qty	Uom	NOTES
1	068457-000	ASM, BOTTOM, CAVITY OVEN GAS 18" GRAY		EA	
Not Shown	NOTE	(INCLUDES HEAT SHIELD)		EA	
2	PD020048	NO.10 X 1/2 TEK 410 SS SCREW		EA	
3	PB040273	BAKE IGNITION ELECTRODE		EA	
4	A1005571	BURNER MOUNTING BRACKET		EA	NO LONGER AVAILABLE
5	PD020060	10 X 1/2" (5/16)HEX WSHR HD.(T)A		EA	
6	PB050080	VGSC486 LH OVEN BURNER		EA	
7	A2005579	ORIFICE BRACKET 48LH		EA	NO LONGER AVAILABLE, Not available online / Call for pricing and availability
8	PD030018	PALNUT - 3/4-16		EA	
9	PB040229	BULKHEAD FITTING (VGSC486LH)		EA	
Not Shown	PB040062	ORIFICE HOOD-#56		EA	
10	PB020136	44" 3/8 S.S. FLEX TUBING T6-44		EA	
11	A20010139	48" LH CAVITY BOTTOM		EA	NO LONGER AVAILABLE, Not available online / Call for pricing and availability

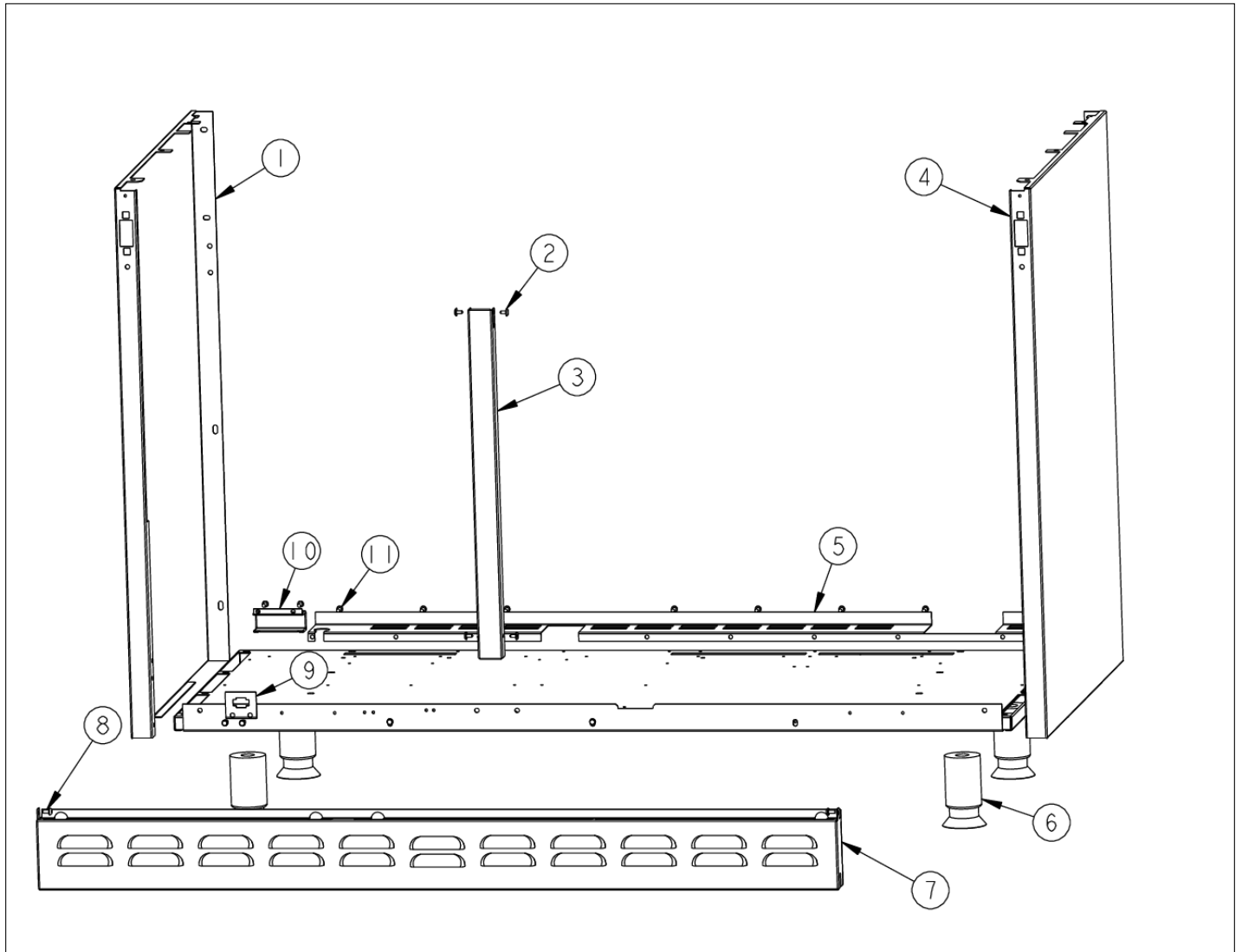
LH OVEN MAIN CAVITY





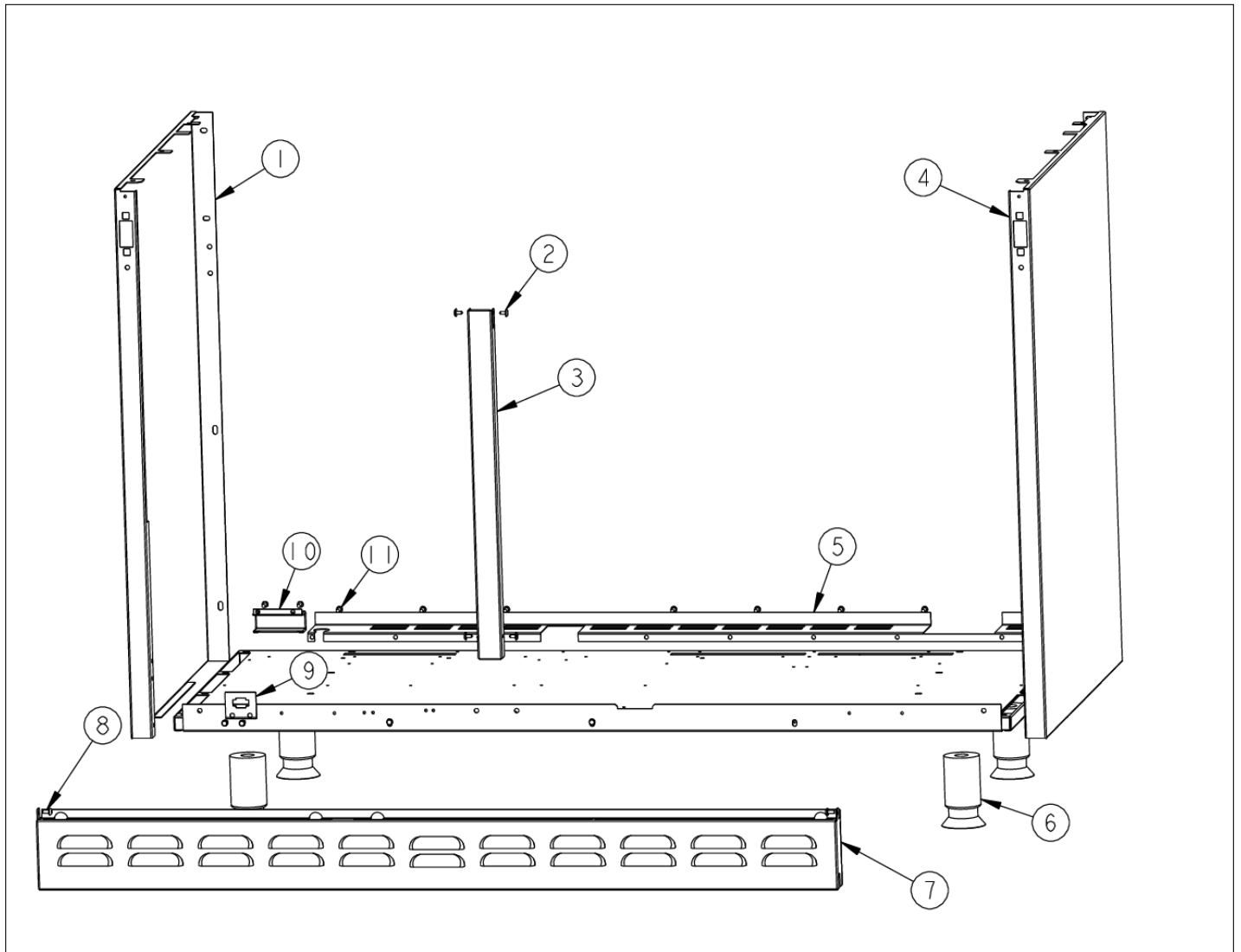
Item	Part No.	Name	Qty	Uom	NOTES
1	PD020060	10 X 1/2" (5/16)HEX WSHER HD.(T)A	1	EA	
2	PD020032	SRW-8(A)X3/8"PH.WFR HD 7/16DIA*NICL	1	EA	
3	001014-000	FRONT FRAME 48 LH WELD ASSY	1	EA	NO LONGER AVAILABLE, Not available online / Call for pricing and availability
4	PD020013	TYPE "AB" #6 X 3/8 PH PAN HD. SMS	1	EA	
5	PD020048	NO.10 X 1/2 TEK 410 SS SCREW	1	EA	
6	PE050206	RTD THERMOSTAT PROBE	1	EA	
7	PB060030	RACK SUPT REPL PB060010	1	EA	
8	005311-000	LAMP, OVEN, 120V/25W	1	EA	
9	PB060046	OVEN RK VDSC48-LH REPL PB060023	1	EA	
10	PC020295	HINGE RECEIVER ASSEMBLY	1	EA	
11	PD020004	10X3/8PH.HD.TYPE 25 REPL PD040125	1	EA	
12	003083-000	#8-18 x 1/2" PHIL FLAT TOP TRUSS HD AB SCREW	1	EA	
13	B1007913	HINGE CLIP (DESIGNER TIME PIECE)	1	EA	

LOWER UNIT AND SIDE PANELS





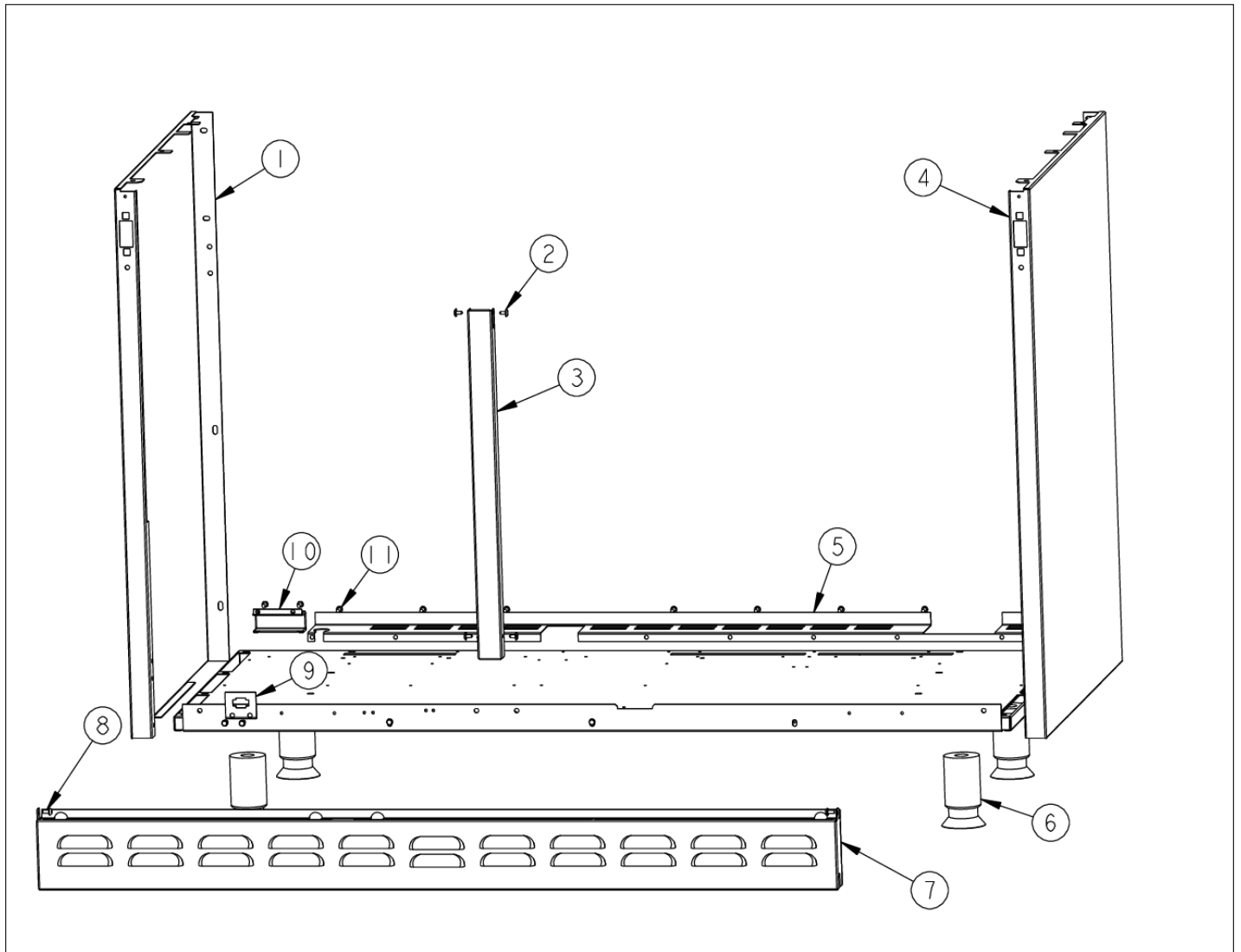
Item	Part No.	Name	Qty	Uom	NOTES
1	003349-007	LH RANGE BODY PANEL (AL)	1	EA	NO LONGER AVAILABLE, Not available online / Call for pricing and availability
Not Shown	003349-002	LH RANGE BODY PANEL (BK)	1	EA	
Not Shown	003349-003	LH RANGE BODY PANEL (BT)	1	EA	NO LONGER AVAILABLE, Not available online / Call for pricing and availability
Not Shown	003349-008	LH RANGE BODY PANEL (BU)	1	EA	NO LONGER AVAILABLE, Not available online / Call for pricing and availability
Not Shown	003349-013	LH RANGE BODY PANEL (CB)	1	EA	NO LONGER AVAILABLE
Not Shown	003349-014	LH RANGE BODY PANEL (EP)	1	EA	NO LONGER AVAILABLE, Not available online / Call for pricing and availability
Not Shown	003349-011	LH RANGE BODY PANEL (FG)	1	EA	NO LONGER AVAILABLE, Not available online / Call for pricing and availability
Not Shown	003349-005	LH RANGE BODY PANEL (GG)	1	EA	NO LONGER AVAILABLE, Not available online / Call for pricing and availability
Not Shown	003349-009	LH RANGE BODY PANEL (LE)	1	EA	NO LONGER AVAILABLE, Not available online / Call for pricing and availability
Not Shown	003349-010	LH RANGE BODY PANEL (MJ)	1	EA	NO LONGER AVAILABLE, Not available online / Call for pricing and availability
Not Shown	003349-004	LH RANGE BODY PANEL (SG)	1	EA	NO LONGER AVAILABLE, Not available online / Call for pricing and availability
Not Shown	003349-000	LH RANGE BODY PANEL	1	EA	





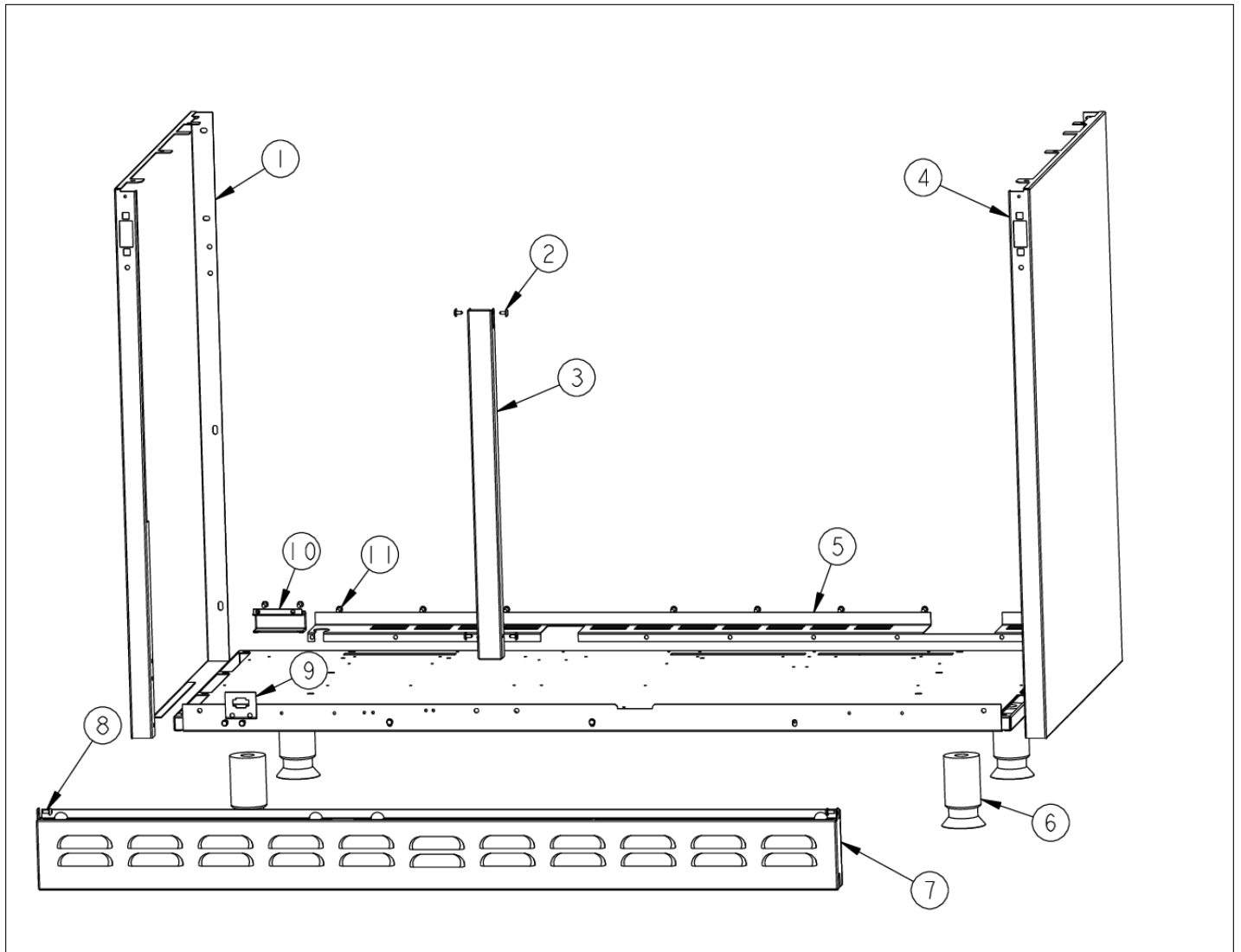


Item	Part No.	Name	Qty	Uom	NOTES
Not Shown	003349-012	LH RANGE BODY PANEL (VB)	1	EA	NO LONGER AVAILABLE, Not available online / Call for pricing and availability
Not Shown	003349-006	LH RANGE BODY PANEL (WH)	1	EA	NO LONGER AVAILABLE, Not available online / Call for pricing and availability
2	PD020032	SRW-8(A)X3/8"PH.WFR HD 7/16DIA*NICL	1	EA	
3	B2005683	CENTER TRIM	1	EA	
Not Shown	C9005683AL	CENTER TRIM *AL*	1	EA	NO LONGER AVAILABLE, Not available online / Call for pricing and availability
Not Shown	C9005683BK	CENTER TRIM *BK*	1	EA	NO LONGER AVAILABLE
Not Shown	C9005683BT	CENTER TRIM *BT*	1	EA	NO LONGER AVAILABLE, Not available online / Call for pricing and availability
Not Shown	C9005683BU	CENTER TRIM *BU*	1	EA	Not available online / Call for pricing and availability
Not Shown	C9005683CB	CENTER TRIM *CB*	1	EA	NO LONGER AVAILABLE
Not Shown	C9005683EP	CENTER TRIM *EP*	1	EA	NO LONGER AVAILABLE, Not available online / Call for pricing and availability
Not Shown	C9005683FG	CENTER TRIM *FG*	1	EA	NO LONGER AVAILABLE, Not available online / Call for pricing and availability
Not Shown	C9005683GG	CENTER TRIM *GG*	1	EA	NO LONGER AVAILABLE
Not Shown	C9005683LE	CENTER TRIM *LE*	1	EA	NO LONGER AVAILABLE, Not available online / Call for pricing and availability



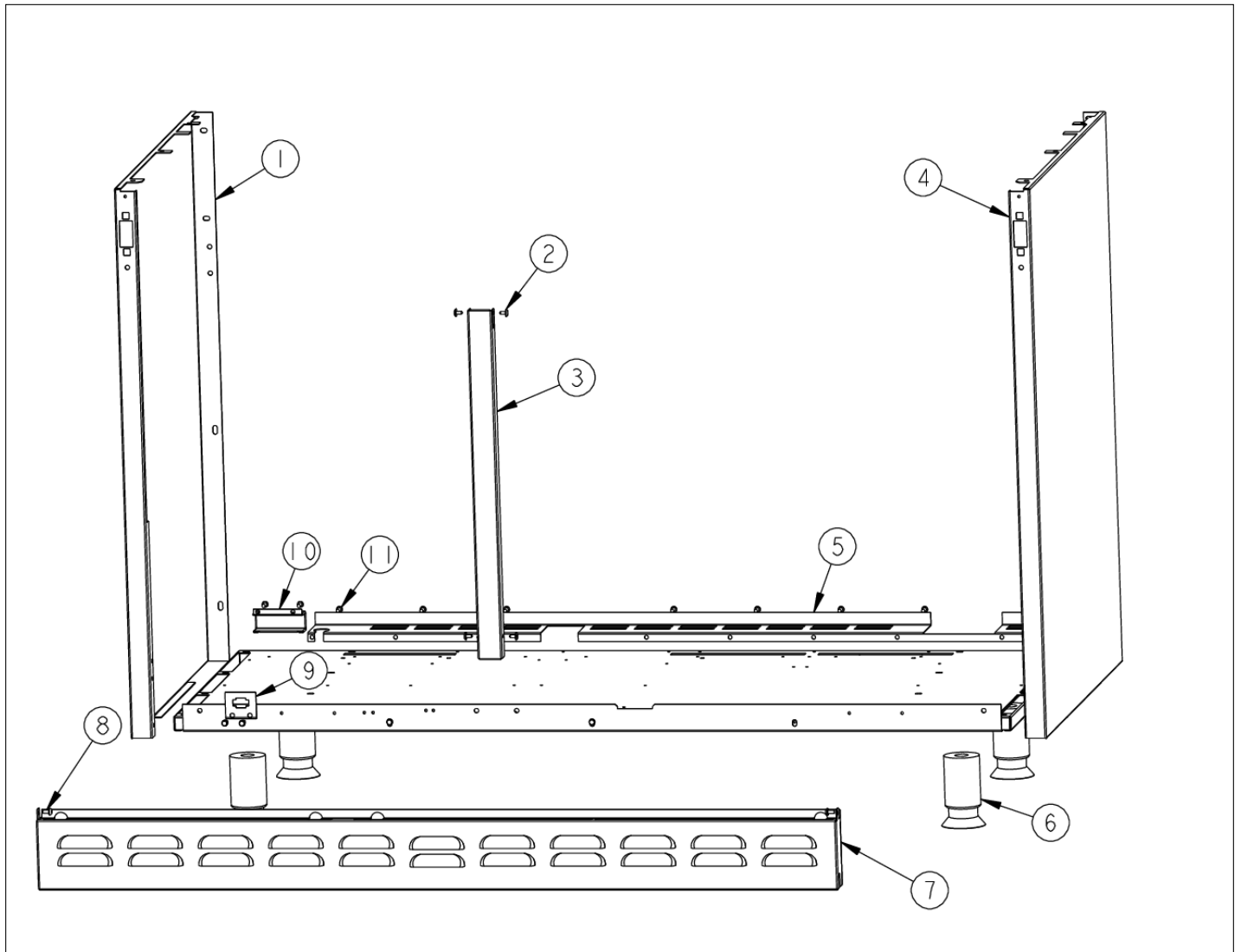


Item	Part No.	Name	Qty	Uom	NOTES
Not Shown	C9005683MJ	CENTER TRIM *MJ*	1	EA	NO LONGER AVAILABLE, Not available online / Call for pricing and availability
Not Shown	C9005683SG	CENTER TRIM *SG*	1	EA	
Not Shown	C9005683VB	CENTER TRIM *VB*	1	EA	NO LONGER AVAILABLE, Not available online / Call for pricing and availability
Not Shown	C9005683WH	CENTER TRIM *WH*	1	EA	NO LONGER AVAILABLE, Not available online / Call for pricing and availability
4	003348-007	O/S BODY PANEL - RH (AL)	1	EA	NO LONGER AVAILABLE, Not available online / Call for pricing and availability
Not Shown	003348-002	O/S BODY PANEL - RH (BK)	1	EA	
Not Shown	003348-003	O/S BODY PANEL - RH (BT)	1	EA	NO LONGER AVAILABLE, Not available online / Call for pricing and availability
Not Shown	003348-008	O/S BODY PANEL - RH (BU)	1	EA	NO LONGER AVAILABLE, Not available online / Call for pricing and availability
Not Shown	003348-013	O/S BODY PANEL - RH (CB)	1	EA	NO LONGER AVAILABLE
Not Shown	003348-014	O/S BODY PANEL - RH (EP)	1	EA	NO LONGER AVAILABLE, Not available online / Call for pricing and availability
Not Shown	003348-011	O/S BODY PANEL - RH (FG)	1	EA	NO LONGER AVAILABLE, Not available online / Call for pricing and availability
Not Shown	003348-005	O/S BODY PANEL - RH (GG)	1	EA	NO LONGER AVAILABLE, Not available online / Call for pricing and availability





Item	Part No.	Name	Qty	Uom	NOTES
Not Shown	003348-009	O/S BODY PANEL - RH (LE)	1	EA	NO LONGER AVAILABLE, Not available online / Call for pricing and availability
Not Shown	003348-010	O/S BODY PANEL - RH (MJ)	1	EA	NO LONGER AVAILABLE, Not available online / Call for pricing and availability
Not Shown	003348-004	O/S BODY PANEL - RH (SG)	1	EA	NO LONGER AVAILABLE, Not available online / Call for pricing and availability
Not Shown	003348-000	RH RANGE BODY PANEL	1	EA	Not available online / Call for pricing and availability
Not Shown	003348-012	O/S BODY PANEL - RH (VB)	1	EA	NO LONGER AVAILABLE, Not available online / Call for pricing and availability
Not Shown	003348-006	O/S BODY PANEL - RH (WH)	1	EA	NO LONGER AVAILABLE, Not available online / Call for pricing and availability
5	A2005584	O/S OVEN BACK BOTTOM	1	EA	NO LONGER AVAILABLE
6	PC030017	4" LEG ASSY	1	EA	
7	B2001241	LWR ACC. PNL - RPLCS B2001973	1	EA	
Not Shown	C9001241AL	LWR ACC PNL - RPLCS C9001973AL	1	EA	NO LONGER AVAILABLE, Not available online / Call for pricing and availability
Not Shown	C9001241BK	LWR ACC PNL - RPLCS C9001973BK	1	EA	
Not Shown	C9001241BT	LWR ACC PNL - RPLCS C9001973BT	1	EA	NO LONGER AVAILABLE
Not Shown	C9001241BU	LWR ACC PNL - RPLCS C9001973BU	1	EA	
Not Shown	C9001241CB	LWR ACC PNL - RPLCS C9001973CB	1	EA	NO LONGER AVAILABLE





Item	Part No.	Name	Qty	Uom	NOTES
Not Shown	C9001241EP	LWR ACC PNL - RPCLS C9001973EP	1	EA	NO LONGER AVAILABLE, Not available online / Call for pricing and availability
Not Shown	C9001241FG	LWR ACC PNL - RPLCS C9001973FG	1	EA	NO LONGER AVAILABLE, Not available online / Call for pricing and availability
Not Shown	C9001241GG	LWR ACC PNL - RPLCS C9001973GG	1	EA	Not available online / Call for pricing and availability
Not Shown	C9001241LE	LWR ACC PNL - RPLCS C9001973LE	1	EA	NO LONGER AVAILABLE
Not Shown	C9001241MJ	LWR ACC PNL - RPLCS C9001973MJ	1	EA	NO LONGER AVAILABLE
Not Shown	C9001241SG	LWR ACC PNL - RPLCS C9001973SG	1	EA	Not available online / Call for pricing and availability
Not Shown	C9001241VB	LWR ACC PNL - RPLCS C9001973VB	1	EA	NO LONGER AVAILABLE, Not available online / Call for pricing and availability
Not Shown	C9001241WH	LWR ACC PNL - RPLCS C9001973WH	1	EA	
8	PD020004	10X3/8PH.HD.TYPE 25 REPL PD040125	1	EA	
9	003439-000	POWER DISCONNECT BRACKET	1	EA	NO LONGER AVAILABLE, Not available online / Call for pricing and availability
10	A2004481	WIRE CHANNEL RH (VGSC306)	1	EA	NO LONGER AVAILABLE
11	PD020060	10 X 1/2" (5/16)HEX WSHER HD.(T)A	1	EA	



PE070245 LIGHT EXT. HARNESS

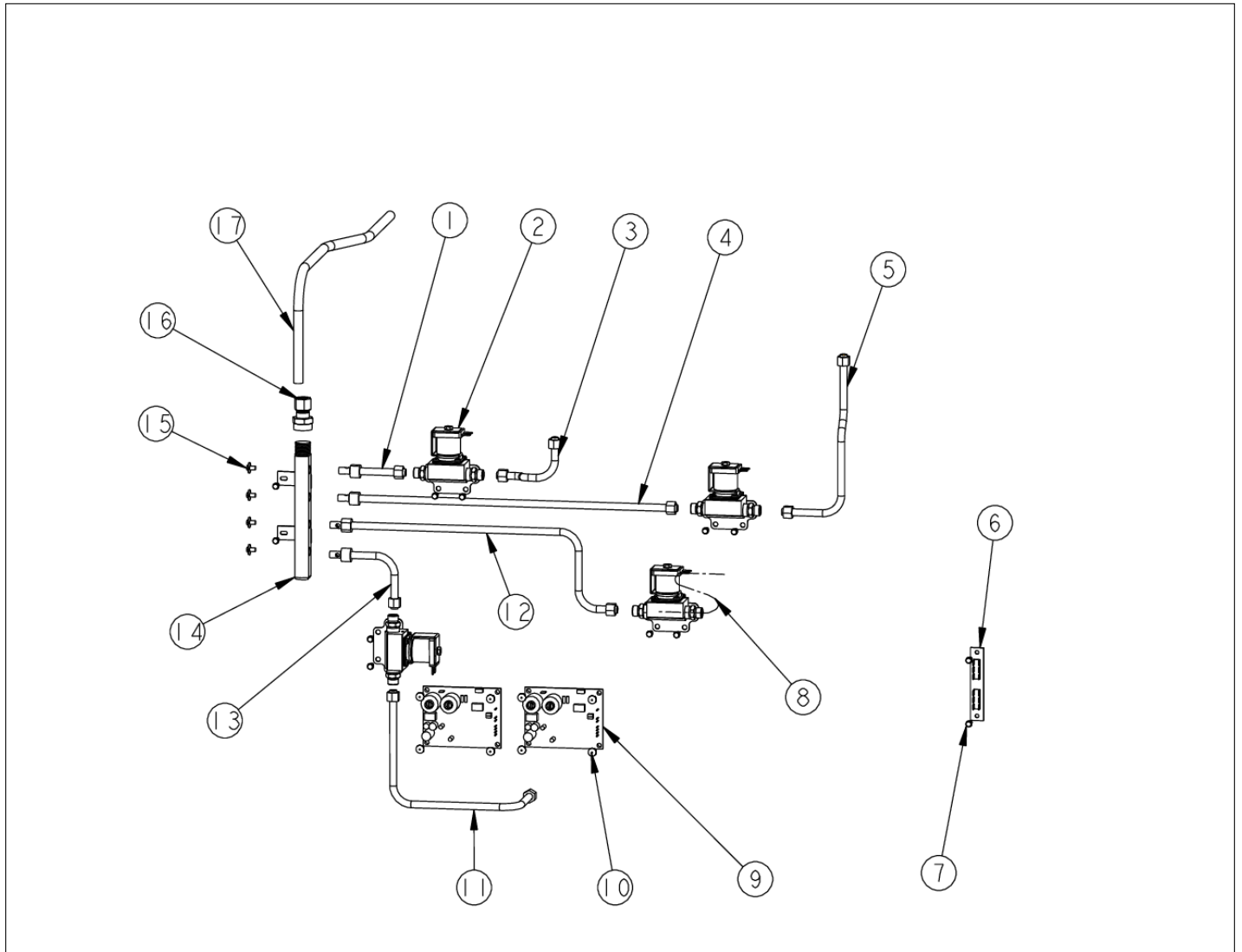






Item	Part No.	Name	Qty	Uom	NOTES
1	PE070245	LIGHT EXTENTION HARNESS (VGSC306)	1	EA	
Not Shown	NOTE	(MAY NOT BE USED ON ALL UNITS)		EA	

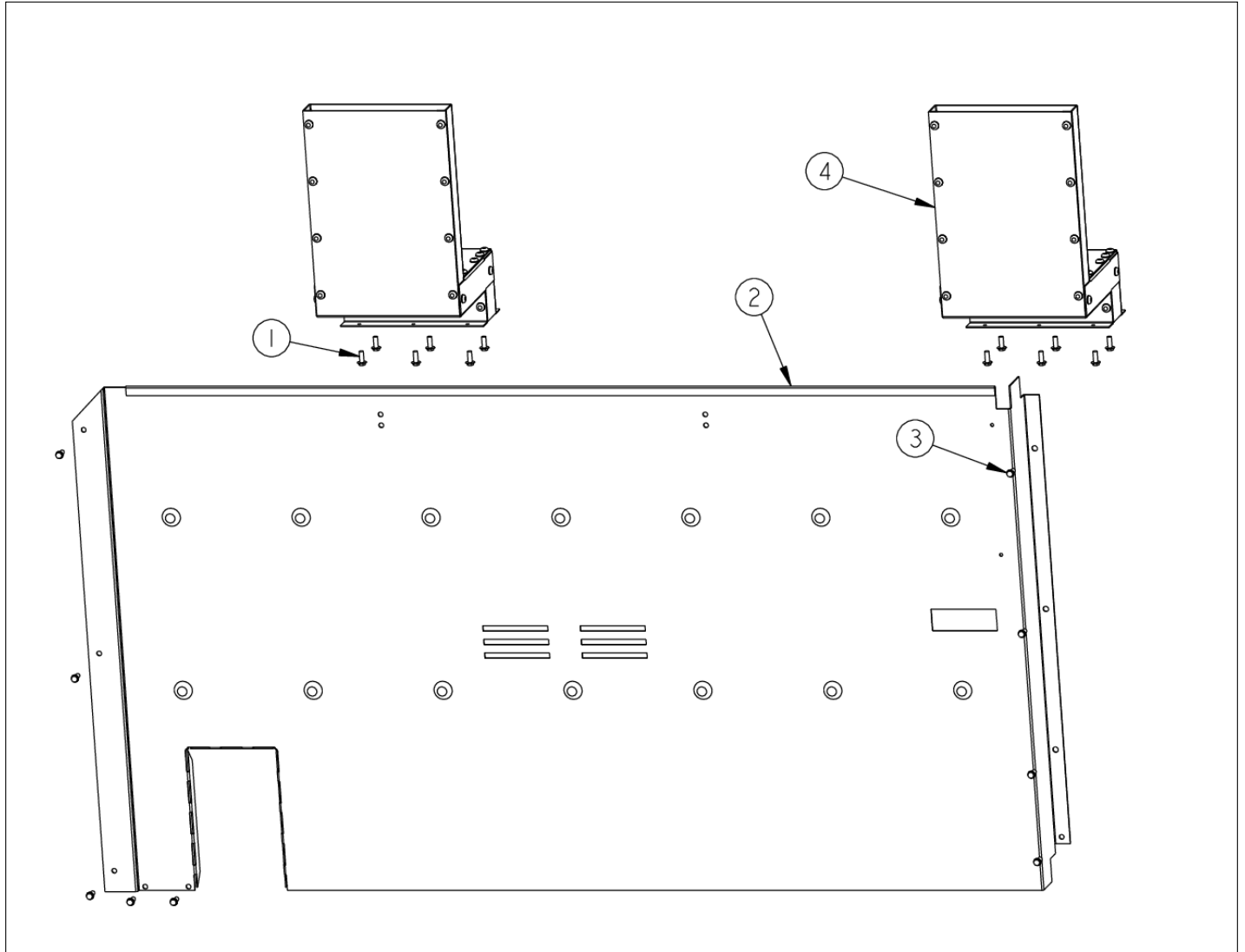
REAR ELECTRONICS AND GAS FLOW





Item	Part No.	Name	Qty	Uom	NOTES
1	000916-000	3/8" BROIL TUBING	1	EA	NO LONGER AVAILABLE, Not available online / Call for pricing and availability
2	003226-000	FJT VALVE - NO NUT/FERRELL	1	EA	
3	000921-000	3/8" ALUM TUBING ELBOW	1	EA	
4	000922-000	3/8" GRIDDLE TUBING	1	EA	
5	003415-000	OPEN 6G & 4GQ GRIDDLE TUBING	1	EA	
6	PE050001	TERMINAL BOARD	1	EA	
7	PD020060	10 X 1/2" (5/16)HEX WSHER HD.(T)A	1	EA	
8	PB020136	44" 3/8 S.S. FLEX TUBING T6-44	1	EA	
9	PA020056	NLA - See TC-0063D-SP for kit number (see comments)	1	EA	
10	PD020014	10X3/4 PH TR HD SMS	1	EA	
11	000919-000	3/8" ALUM TUBING	1	EA	
12	000917-000	3/8" TUBING LH BAKE	1	EA	
13	000918-000	3/8" BAKE TUBING	1	EA	
14	000863-000	4 PORT MANIFOLD - NLA	1	EA	NO LONGER AVAILABLE
15	PD010012	1/4 x 3/8 VALVE BOLT	1	EA	
16	000847-000	1/2" COMP TO 1/2" FEMALE NPT ADAPTER	1	EA	
17	000-927-000	1/2" ALUMINUM TUBING	1	EA	Not available online / Call for pricing and availability

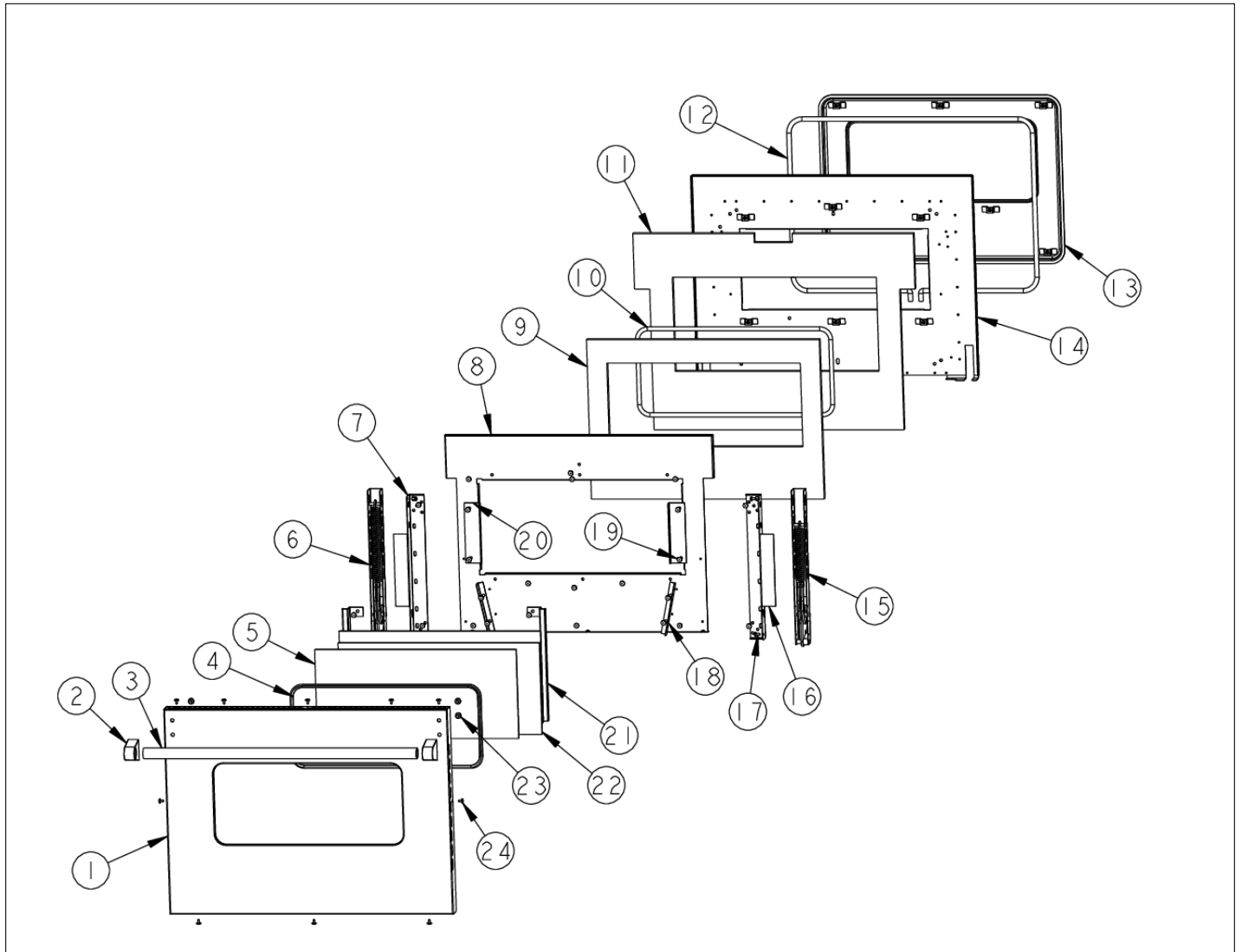
REAR SHEET METAL



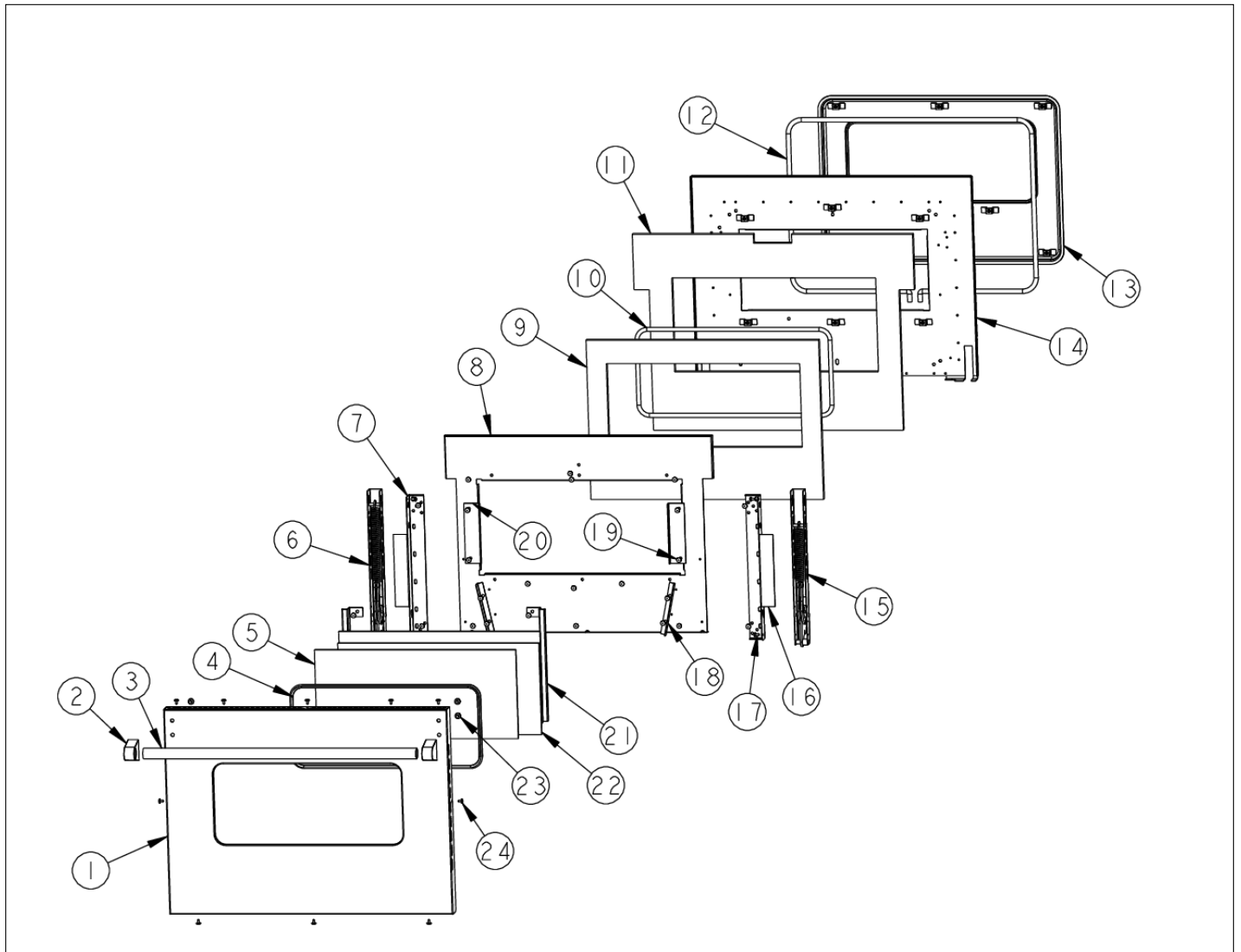


Item	Part No.	Name	Qty	Uom	NOTES
1	PD020048	NO.10 X 1/2 TEK 410 SS SCREW	1	EA	
2	A2005583	48 REAR COVER	1	EA	NO LONGER AVAILABLE
3	PD020060	10 X 1/2" (5/16)HEX WSHER HD.(T)A	1	EA	
4	000967-000	FLUE ASSY	1	EA	

RH DOOR ASSEMBLY

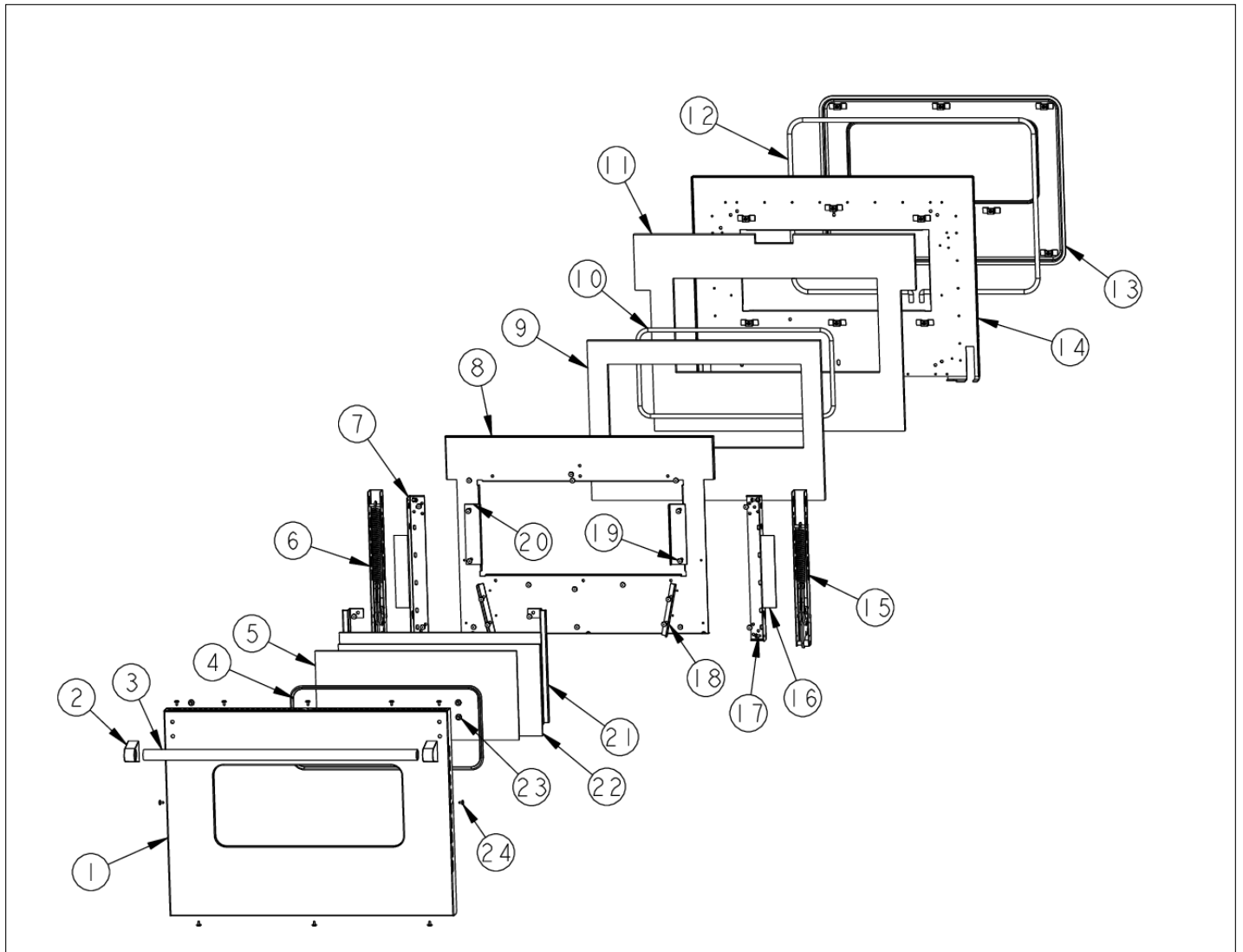


Item	Part No.	Name	Qty	Uom	NOTES
1	B2002528	O/S DOOR PANEL RH *SS* (VDSC48)	1	EA	
Not Shown	C9002528AL	O/S DOOR PANEL-RH *AL* (VDSC48)	1	EA	NO LONGER AVAILABLE
Not Shown	C9002528BK	O/S DOOR PANEL-RH *BK* (VDSC48)	1	EA	
Not Shown	C9002528BT	O/S DOOR PANEL-RH *BT* (VDSC48)	1	EA	NO LONGER AVAILABLE
Not Shown	C9002528BU	O/S DOOR PANEL-RH *BU* (VDSC48)	1	EA	
Not Shown	C9002528CB	O/S DOOR PANEL-RH *CB* (VDSC48)	1	EA	Not available online / Call for pricing and availability
Not Shown	C9002528EP	O/S DOOR PANEL-RH *EP* (VDSC48)	1	EA	NO LONGER AVAILABLE, Not available online / Call for pricing and availability
Not Shown	C9002528FG	O/S DOOR PANEL-RH *FG* (VDSC48)	1	EA	NO LONGER AVAILABLE, Not available online / Call for pricing and availability
Not Shown	C9002528GG	O/S DOOR PANEL-RH *GG* (VDSC48)	1	EA	Not available online / Call for pricing and availability
Not Shown	C9002528LE	O/S DOOR PANEL-RH *LE* (VDSC48)	1	EA	NO LONGER AVAILABLE
Not Shown	C9002528MJ	O/S DOOR PANEL-RH *MJ* (VDSC48)	1	EA	NO LONGER AVAILABLE, Not available online / Call for pricing and availability
Not Shown	C9002528SG	O/S DOOR PANEL-RH *SG* (VDSC48)	1	EA	Not available online / Call for pricing and availability
Not Shown	C9002528VB	O/S DOOR PANEL-RH *VB* (VDSC48)	1	EA	NO LONGER AVAILABLE, Not available online / Call for pricing and availability
Not Shown	C9002528WH	O/S DOOR PANEL-RH *WH* (VDSC48)	1	EA	NO LONGER AVAILABLE
2	000268-000	HANDLE ENDCAP	1	EA	
Not Shown	PE030001PVD	END CAP DOOR HANDLE *BR	1	EA	

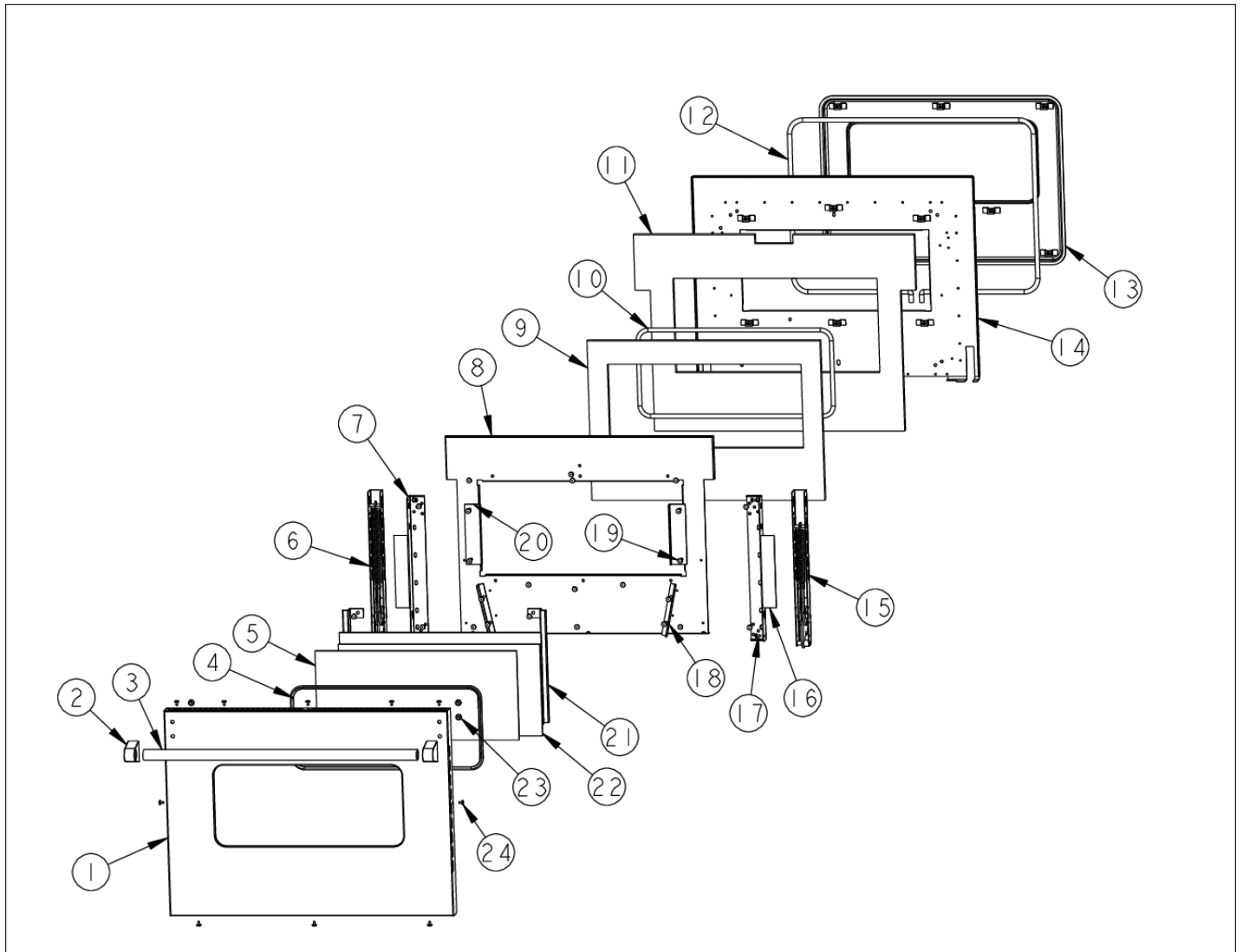




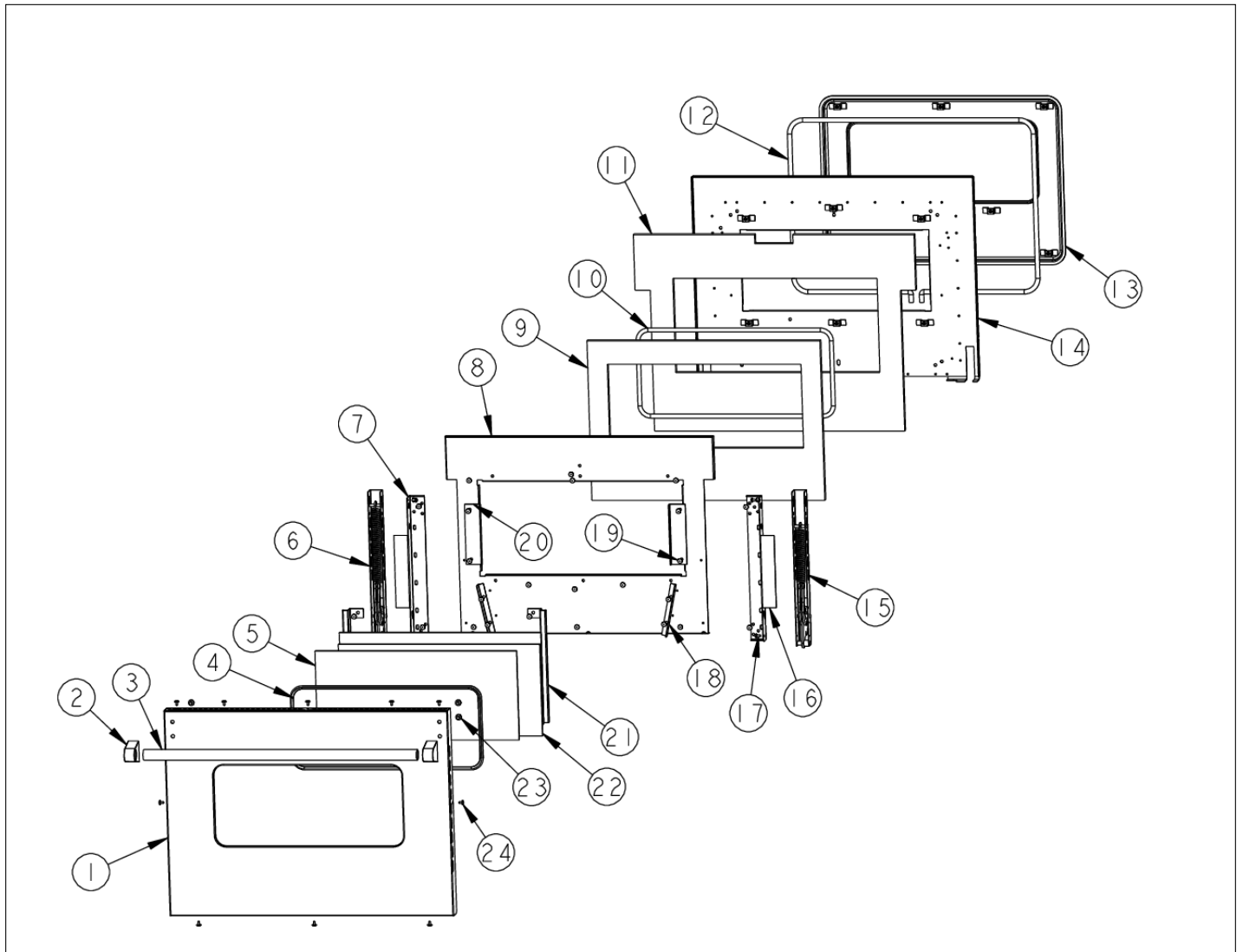
Item	Part No.	Name	Qty	Uom	NOTES
3	PE030005	DOOR HANDLE - VGSC30/RC60/RC48RH	1	EA	
Not Shown	PE030012PVD	DOOR HANDLE - RH - (30"/48") PVD	1	EA	
4	PE060031	J-MOLD (LARGE WINDOW)	1	EA	
Not Shown	PE060045	J-MOLD (LARGE WINDOW) *BR*	1	EA	
5	PE060030	OUTER DOOR GLASS	1	EA	
6	PC020223	DOOR HINGE (LONG SPRING) NSF	1	EA	
7	000932-000	DOOR HINGE BRACKET	1	EA	Not available online / Call for pricing and availability
8	A20015315	DOOR INSULATION RETAINER	1	EA	NO LONGER AVAILABLE, Not available online / Call for pricing and availability
9	PB070145	SUPERWOOL 5" X 24" X 3'	1	EA	
10	000594-000	BLACK FIBERGLASS ROPE 3/8	1	EA	
11	PB070145	SUPERWOOL 5" X 24" X 3'	1	EA	
12	000042-000	30" DOOR GASKET	1	EA	
13	001142-000	PLUG, DOOR, ASM, PORCELAIN	1	EA	
<p>Comments for Part Num. 001142-000</p> <p>bradleysapplianceservice@shaw.ca on Nov 2, 2015</p> <p>001142-000 PLUG, DOOR, ASM, PORCELAIN (GREY WITH WHITE SPECS) OLD STYLE</p> <p>001142-402 PLUG, DOOR, ASM, PORCELAIN BK (BLACK LINER) NEW STYLE</p>					
14	001141-000	LINER, DOOR, ASM, PORCELAIN	1	EA	Not available online / Call for pricing and availability
15	PC020222	DOOR HINGE (SHORT SPRING) NSF	1	EA	
16	000075-000	DOOR HINGE BRACKET	1	EA	Not available online / Call for pricing and availability
17	PD020004	10X3/8PH.HD.TYPE 25 REPL PD040125	1	EA	
18	A2002497	DOOR GUIDE ANGLE VDSC	1	EA	



Item	Part No.	Name	Qty	Uom	NOTES
19	PD020002	10 X 1/2 PH.TR.HD.SMS.	1	EA	
20	A2002189	DOOR GLASS STANDOFF (VDSC)	1	EA	
21	A2002367	DOOR GLASS BRKT	1	EA	
22	PE060039	GLASS-HEAT TREATED (HB2) VDSC	1	EA	
23	PD010019	BLT-1/4-20X3/8"HEX WASHER SERATED	1	EA	
24	PD020032	SRW-8(A)X3/8"PH.WFR HD 7/16DIA*NICL	1	EA	
NI	000938-007	COMPLETE DOOR ASSY. - AL	1	EA	Not available online / Call for pricing and availability
Not Shown	000938-107	COMPLETE DOOR ASSY. - ALBR	1	EA	Not available online / Call for pricing and availability
Not Shown	000938-002	COMPLETE DOOR ASSY. - BK	1	EA	Not available online / Call for pricing and availability
Not Shown	000938-102	COMPLETE DOOR ASSY. - BKBR	1	EA	Not available online / Call for pricing and availability
Not Shown	000938-003	COMPLETE DOOR ASSY. - BT	1	EA	Not available online / Call for pricing and availability
Not Shown	000938-103	COMPLETE DOOR ASSY. - BTBR	1	EA	Not available online / Call for pricing and availability
Not Shown	000938-008	COMPLETE DOOR ASSY. - BU	1	EA	Not available online / Call for pricing and availability
Not Shown	000938-108	COMPLETE DOOR ASSY. - BUBR	1	EA	Not available online / Call for pricing and availability
Not Shown	000938-013	COMPLETE DOOR ASSY. - CB	1	EA	Not available online / Call for pricing and availability
Not Shown	000938-113	COMPLETE DOOR ASSY. - CBBR	1	EA	Not available online / Call for pricing and availability



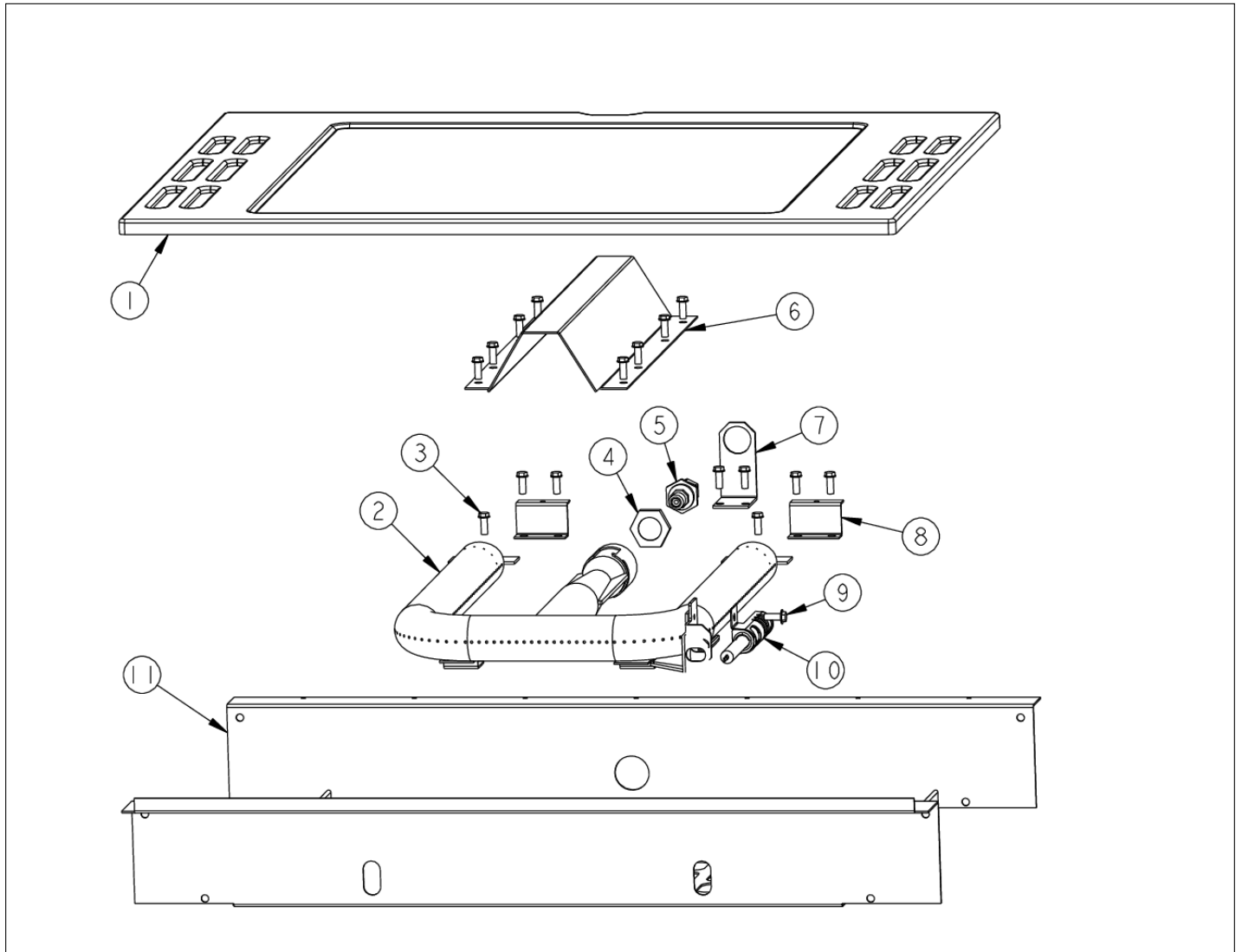
Item	Part No.	Name	Qty	Uom	NOTES
Not Shown	000938-014	COMPLETE DOOR ASSY. - EP	1	EA	Not available online / Call for pricing and availability
Not Shown	000938-114	COMPLETE DOOR ASSY. - EPBR	1	EA	Not available online / Call for pricing and availability
Not Shown	000938-011	COMPLETE DOOR ASSY. - FG	1	EA	Not available online / Call for pricing and availability
Not Shown	000938-111	COMPLETE DOOR ASSY. - FGBR	1	EA	Not available online / Call for pricing and availability
Not Shown	000938-005	COMPLETE DOOR ASSY. - GG	1	EA	Not available online / Call for pricing and availability
Not Shown	000938-105	COMPLETE DOOR ASSY. - GGBR	1	EA	Not available online / Call for pricing and availability
Not Shown	000938-009	COMPLETE DOOR ASSY. - LE	1	EA	Not available online / Call for pricing and availability
Not Shown	000938-109	COMPLETE DOOR ASSY. - LEBR	1	EA	Not available online / Call for pricing and availability
Not Shown	000938-010	COMPLETE DOOR ASSY. - MJ	1	EA	Not available online / Call for pricing and availability
Not Shown	000938-110	COMPLETE DOOR ASSY. - MJBR	1	EA	Not available online / Call for pricing and availability
Not Shown	000938-004	COMPLETE DOOR ASSY. - SG	1	EA	Not available online / Call for pricing and availability
Not Shown	000938-104	COMPLETE DOOR ASSY. - SGBR	1	EA	Not available online / Call for pricing and availability
Not Shown	000938-000	DOOR, ASSEMBLY 30" - NLA	1	EA	NO LONGER AVAILABLE





Item	Part No.	Name	Qty	Uom	NOTES
Not Shown	000938-100	DOOR ASSEMBLY, 48" RH (BR)	1	EA	NO LONGER AVAILABLE, Not available online / Call for pricing and availability
Not Shown	000938-012	COMPLETE DOOR ASSY. - VB	1	EA	Not available online / Call for pricing and availability
Not Shown	000938-112	COMPLETE DOOR ASSY. - VBBR	1	EA	Not available online / Call for pricing and availability
Not Shown	000938-006	COMPLETE DOOR ASSY. - WH	1	EA	Not available online / Call for pricing and availability
Not Shown	000938-106	COMPLETE DOOR ASSY. - WHBR	1	EA	Not available online / Call for pricing and availability

RH OVEN BAKE AREA

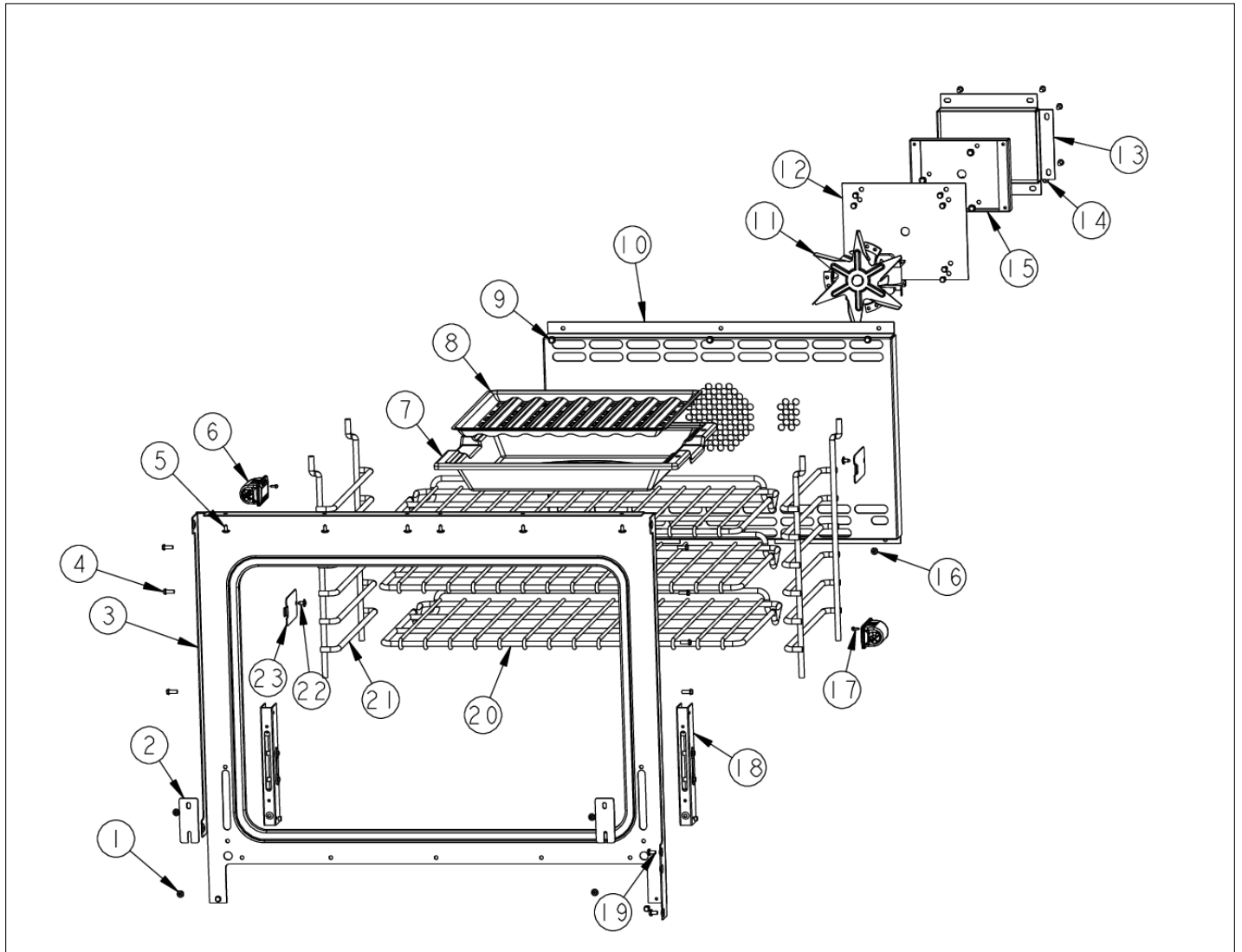






Item	Part No.	Name	Qty	Uom	NOTES
1	068456-000	ASM, BOTTOM, CAVITY, OVEN, GAS, 30", GRAY		EA	
Not Shown	NOTE	(INCLUDES HEAT SHIELD)		EA	
2	006197-000	U-SHAPE BAKE BURNER 8"		EA	
3	PD020060	10 X 1/2" (5/16)HEX WSHER HD.(T)A		EA	
4	PD030018	PALNUT - 3/4-16		EA	
5	PB040265	BULKHEAD ORIFICE FITTING		EA	
Not Shown	PB040246	SUB TO PB040035 - #51 ORIFICE HOOD		EA	NO LONGER AVAILABLE
6	A2004424	BURNER COVER (VGSC306)		EA	
7	A2004434	ORIFICE BRACKET (VGSC306)		EA	Not available online / Call for pricing and availability
8	B2004415	BURNER BRACKET (VGSC306)		EA	
9	PD020048	NO.10 X 1/2 TEK 410 SS SCREW		EA	
10	PB040170	BAKE IGNITION ELECTRODE		EA	
11	A20010137	30" CAVITY BOTTOM/48" RH BOTTOM		EA	NO LONGER AVAILABLE, Not available online / Call for pricing and availability

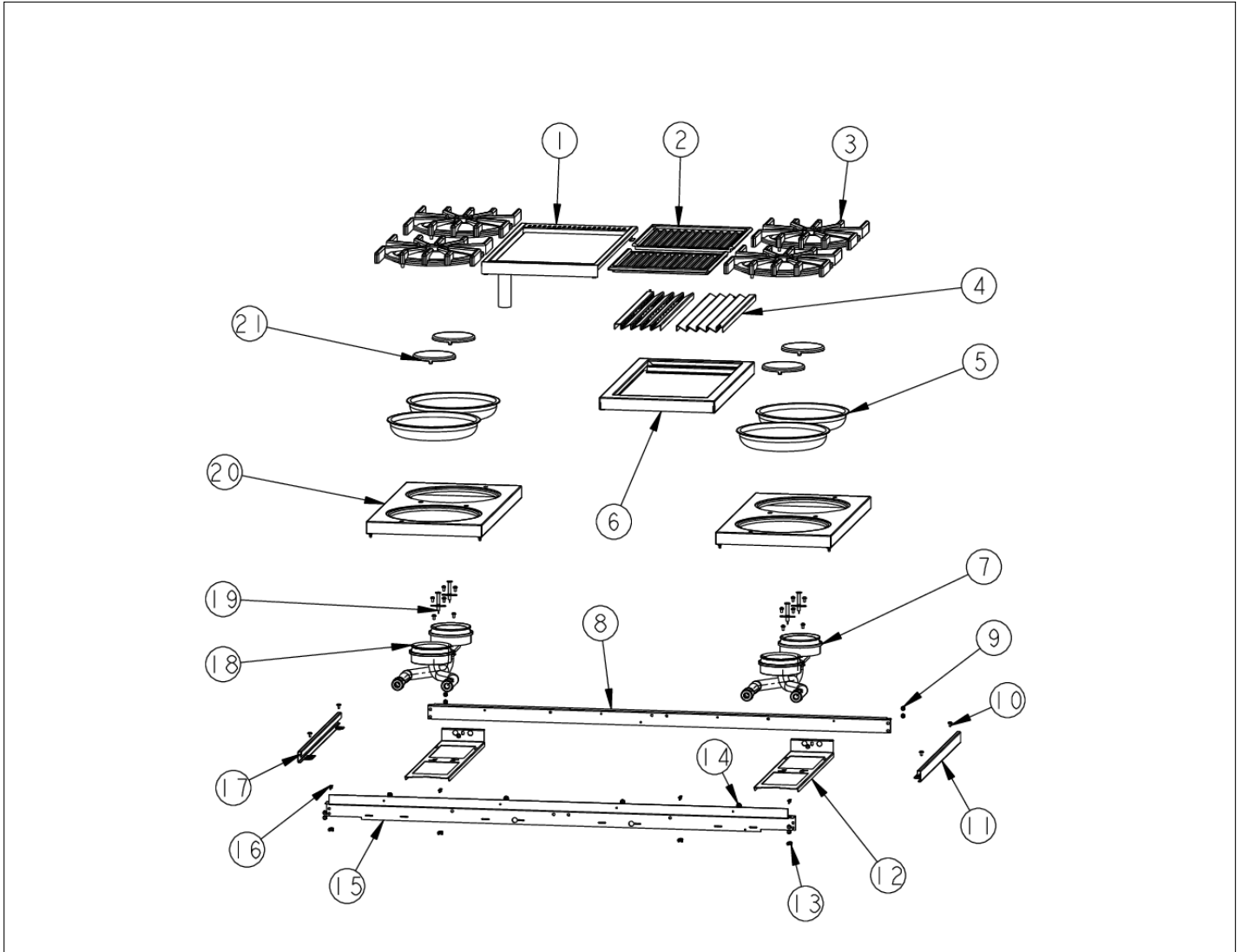
RH OVEN MAIN CAVITY



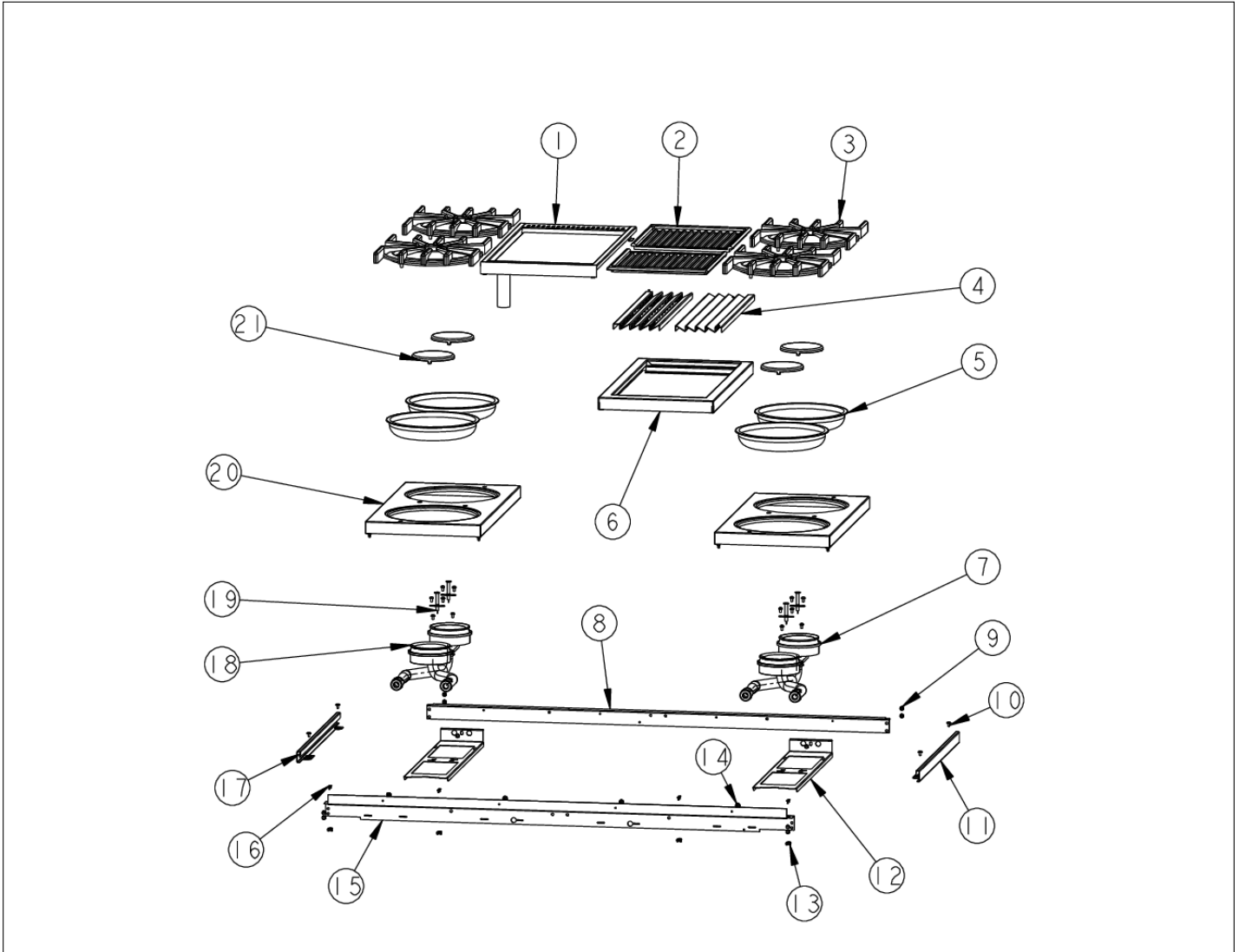


Item	Part No.	Name	Qty	Uom	NOTES
1	003083-000	#8-18 x 1/2" PHIL FLAT TOP TRUSS HD AB SCREW	1	EA	
2	B1007913	HINGE CLIP (DESIGNER TIME PIECE)	1	EA	
3	000991-000	FRONT FRAME 48" RH WELD ASSY	1	EA	NO LONGER AVAILABLE
4	PD020060	10 X 1/2" (5/16)HEX WSHR HD.(T)A	1	EA	
5	PD020032	SRW-8(A)X3/8"PH.WFR HD 7/16DIA*NICL	1	EA	
6	005311-000	LAMP, OVEN, 120V/25W	1	EA	
7	E9107933	BROILER PAN	1	EA	
8	E9107934	BROILER PAN INSERT - NLA	1	EA	
9	PD020048	NO.10 X 1/2 TEK 410 SS SCREW	1	EA	
10	G9104482	CONVECTION FAN COVER ASSY (VGSC306)	1	EA	
11	PE050057	CONVECTION FAN (VGSC306)	1	EA	
12	A1002596	CONVECTION FAN COVER (VDSC)	1	EA	
13	A2008467	INSULATION SHIELD	1	EA	
14	PD020010	10 X 3/8 GREEN GROUNDING SCREW	1	EA	
15	A2002595	CONVECTION FAN BOX (VDSC)	1	EA	
16	M0210443	SCREW-E SM VM0210443	1	EA	
17	PD020013	TYPE "AB" #6 X 3/8 PH PAN HD. SMS	1	EA	
18	PC020295	HINGE RECEIVER ASSEMBLY	1	EA	
19	PD020004	10X3/8PH.HD.TYPE 25 REPL PD040125	1	EA	
20	PB060044	OVEN RK VDSC30/48RH REPL PB060019	1	EA	
21	PB060030	RACK SUPT REPL PB060010	1	EA	
22	PD020063	SCREW-#8(A) X 3/8"PH WFR HD/BK OXID	1	EA	
23	E91012614	LIGHT HOLE COVER	1	EA	

SURFACE COOKING AREA



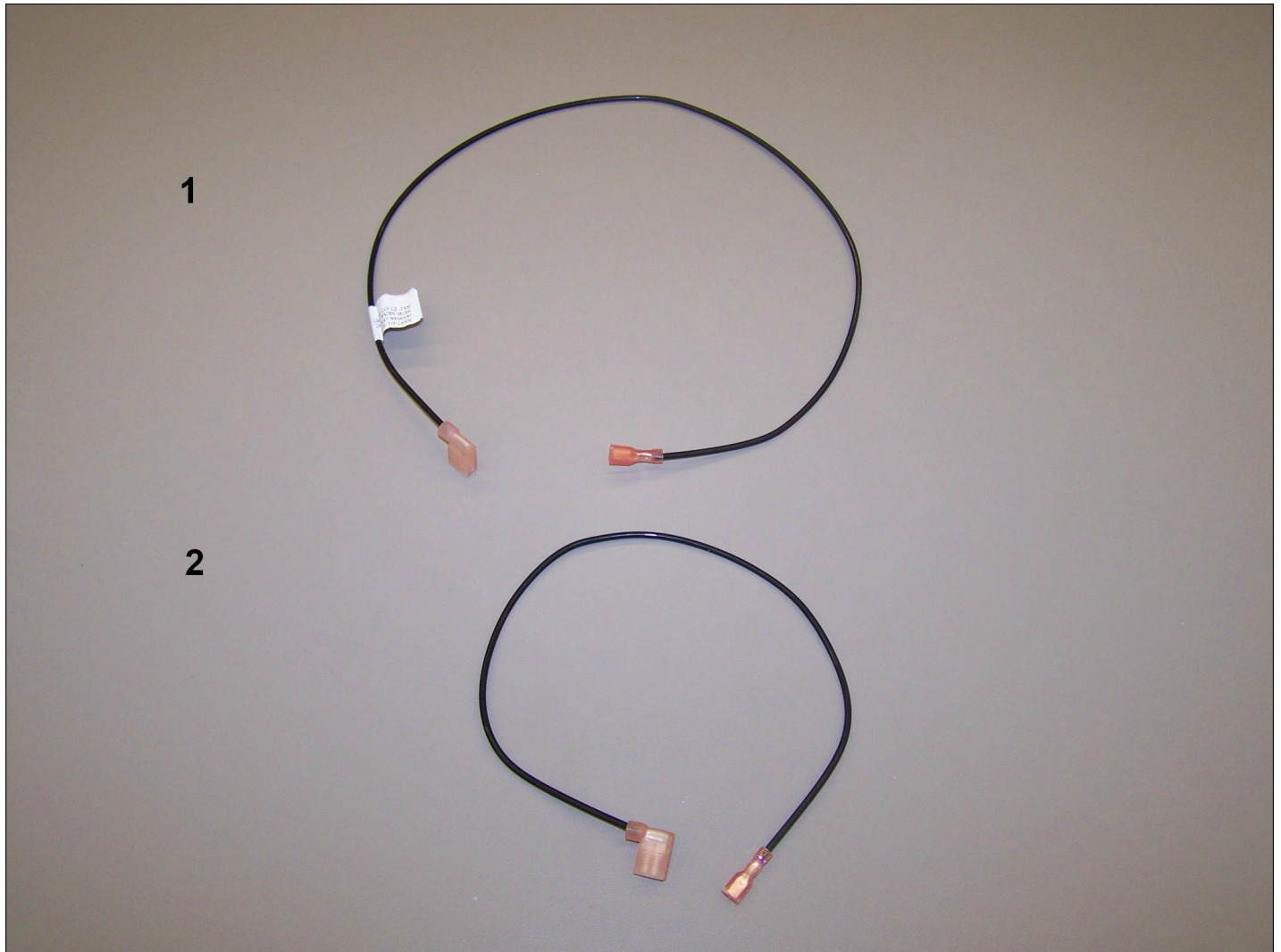
Item	Part No.	Name	Qty	Uom	NOTES
1	003210-000	12 OPEN GRIDDLE FRAME WELD ASSY		EA	
2	PA060058	GRILL GRATE - MATT *BK* RE PA060028		EA	
3	PA060037	GRATE BK REPL PA060024 (GEN.#2)		EA	
4	E9101130BK	GRILL SMOKE GENERATOR		EA	
5	PA030002BK	BURNER BOWL (VGRT) **BK**		EA	
Not Shown	PA030002WH	BURNER BOWL (VGRT) **WH**		EA	
6	G9101182BK	GRILL GRATE SUPT (VGRT) *BK*		EA	
Not Shown	G9101182WH	GRILL GRATE SUPT (VGRT) *WH*		EA	
7	PA080036	TOP BURNER REAR REPL PA080008		EA	
8	002281-000	48" REAR BURNER SUPPORT - NLA		EA	NO LONGER AVAILABLE
9	PD020004	10X3/8PH.HD.TYPE 25 REPL PD040125		EA	
10	PD020032	SRW-8(A)X3/8"PH.WFR HD 7/16DIA*NICL		EA	
11	B2002345	SIDE TRIM - RH (VGSS)		EA	
Not Shown	C9302345BR	SIDE TRIM - RH (VGSS) *BR*		EA	
12	A2001112	BURNER SUPT (VGRT)		EA	
13	PD010016	BALL STUD FASTEN		EA	
14	PD020002	10 X 1/2 PH.TR.HD.SMS.		EA	
15	001706-000	48" FRONT BOX SUPPORT - NLA		EA	NO LONGER AVAILABLE
16	PC040010	POP RIVET (.063/GR -.125) GAMD42-A		EA	
17	B2002346	SIDE TRIM - LH (VGSS)		EA	
Not Shown	C9302346BR	SIDE TRIM - LH (VGSS) *BR*		EA	Not available online / Call for pricing and availability
18	PA080037	TOP BURNER FRONT REPL PA080007		EA	
19	PA020028	SPARK IGNITER		EA	
20	G50013584BK	GRATE SUPPORT SERVICE KIT (BK)		EA	





Item	Part No.	Name	Qty	Uom	NOTES
Not Shown	G50013584WH	GRATE SUPPORT SERVICE KIT (WH)		EA	
21	PA080015	BURNER CAP-VGRT *BK*		EA	

TOP BURNER IGNITER WIRES

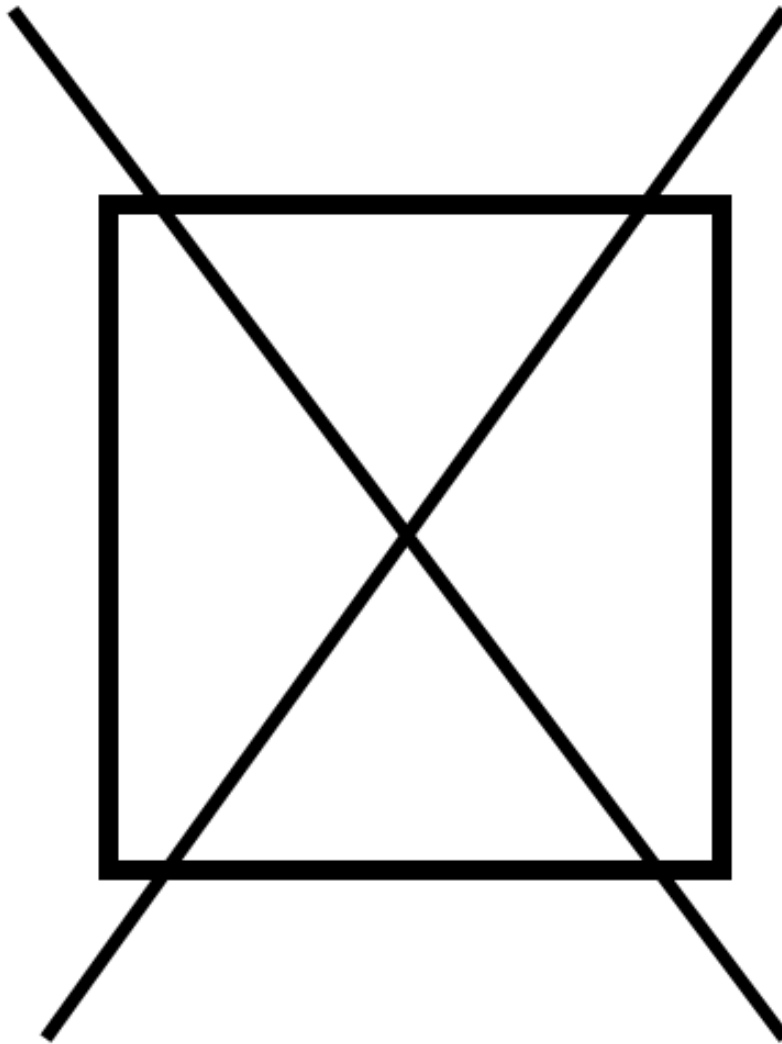






Item	Part No.	Name	Qty	Uom	NOTES
1	006766-000	IRIS IGNITOR WIRE, BACK BURNER	1	EA	
2	000647-000	IRIS IGNITOR WIRE, FRONT BURNER	1	EA	

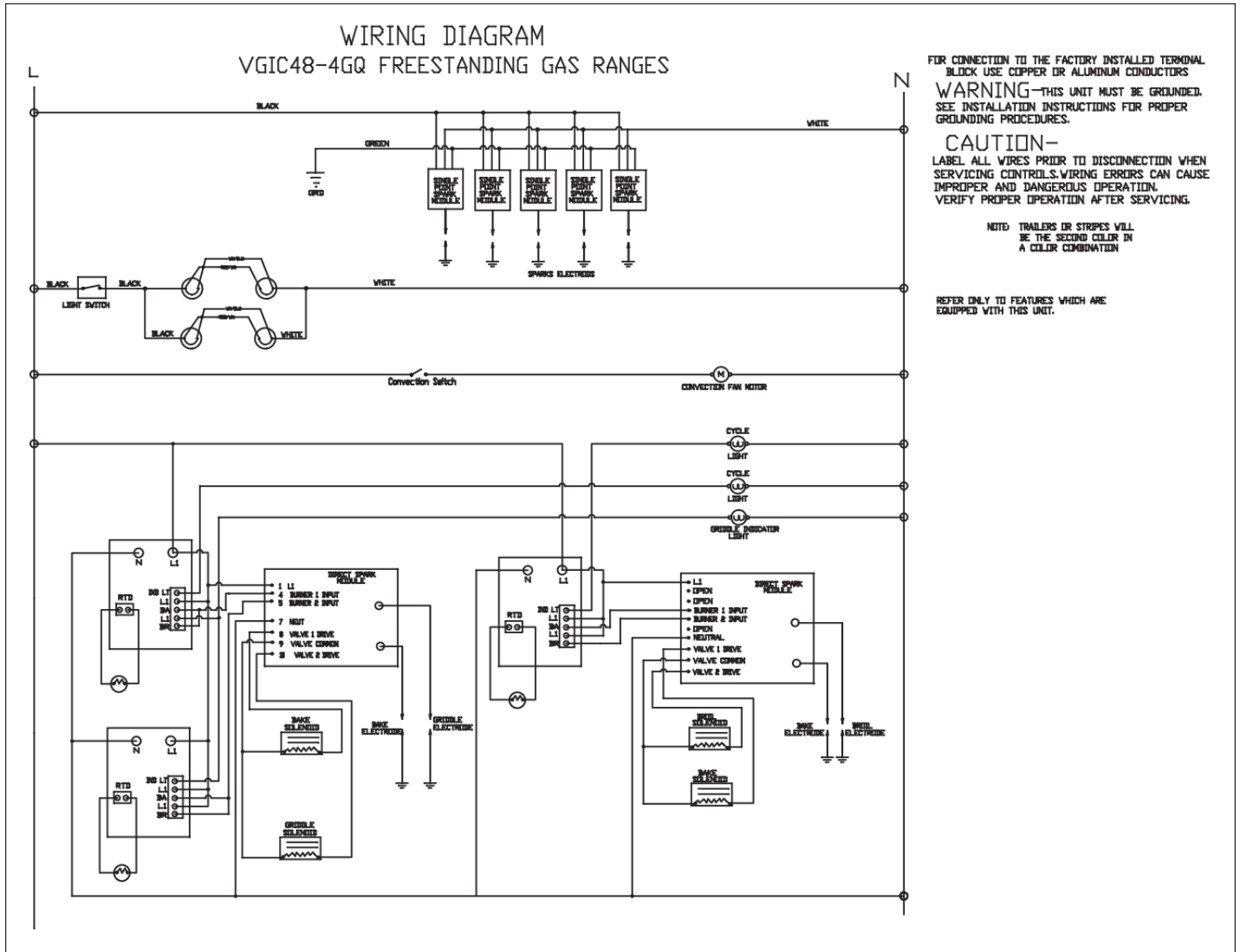
NON  
ILLUSTRATED PART





Item	Part No.	Name	Qty	Uom	NOTES
1	001734-000	HARNESS,WIRE VGIC48-4GQ	1	EA	

WIRING DIAGRAM





Appendix A:Pages Index

000649-000 GRILL IGNITOR WIRE ..... 1  
001754-000 POWER DISCONNECT HAR .....2  
001911-000 BAKE IGNITER WIRE ..... 3  
001993-000 GRIDDLE IGNITOR WIRE ..... 4  
BROIL IGNITER WIRE ..... 5  
BROILER AREA .....6  
BURNER BOX INTERIOR ..... 7  
CONTROL AREA .....8  
DRIP TRAY ..... 9  
G4008493 SUPPLY CORD ..... 10  
GRIDDLE SUBASSEMBLY ..... 11  
GRILL SUBASSEMBLY ..... 12  
IRIS HARNESS ..... 13  
LH BAKE IGNITER WIRE ..... 14  
LH DOOR ASSEMBLY ..... 15  
LH OVEN BAKE AREA ..... 16  
LH OVEN MAIN CAVITY ..... 17  
LOWER UNIT AND SIDE PANELS ..... 18  
PE070245 LIGHT EXT. HARNESS ..... 19  
REAR ELECTRONICS AND GAS FLOW .....20  
REAR SHEET METAL ..... 21  
RH DOOR ASSEMBLY .....22  
RH OVEN BAKE AREA ..... 23  
RH OVEN MAIN CAVITY ..... 24  
SURFACE COOKING AREA ..... 25  
TOP BURNER IGNITER WIRES ..... 26  
WIRE HARNESS VGIC48-4GQ .....27  
WIRING DIAGRAM ..... 28



Appendix B:Parts Index

000-927-000	20	000938-100	22
000042-000	22	000938-102	22
000075-000	15, 22	000938-103	22
000080-000	15	000938-104	22
000268-000	15, 22	000938-105	22
000381-000	8	000938-106	22
000381-006	8	000938-107	22
000447-000	8	000938-108	22
000447-006	8	000938-109	22
000448-000	8	000938-110	22
000448-006	8	000938-111	22
000594-000	15, 22	000938-112	22
000633-000	8	000938-113	22
000647-000	26	000938-114	22
000649-000	1	000939-000	15
000845-000	8	000946-000	15
000847-000	20	000946-002	15
000863-000	20	000946-003	15
000916-000	20	000946-004	15
000917-000	20	000946-005	15
000918-000	20	000946-006	15
000919-000	20	000946-007	15
000921-000	20	000946-008	15
000922-000	20	000946-009	15
000930-000	8	000946-010	15
000932-000	15, 22	000946-011	15
000938-000	22	000946-012	15
000938-002	22	000946-013	15
000938-003	22	000946-014	15
000938-004	22	000946-100	15
000938-005	22	000946-102	15
000938-006	22	000946-103	15
000938-007	22	000946-104	15
000938-008	22	000946-105	15
000938-009	22	000946-106	15
000938-010	22	000946-107	15
000938-011	22	000946-108	15
000938-012	22	000946-109	15
000938-013	22	000946-110	15
000938-014	22	000946-111	15
		000946-112	15



000946-113	15	003348-013	18
000946-114	15	003348-014	18
000967-000	21	003349-000	18
000971-000	11	003349-002	18
000991-000	24	003349-003	18
001014-000	17	003349-004	18
001141-000	22	003349-005	18
001142-000	22	003349-006	18
001144-000	15	003349-007	18
001145-000	15	003349-008	18
001348-000	6	003349-009	18
001361-000	11	003349-010	18
001436-000	11	003349-011	18
001437-000	11	003349-012	18
001625-000	11	003349-013	18
001706-000	25	003349-014	18
001734-000	27	003415-000	20
001754-000	2	003439-000	18
001911-000	3	003517-000	8
001914-000	5	005311-000	17, 24
001992-000	14	006197-000	23
001993-000	4	006766-000	26
002281-000	25	008091-000	11
002884-000	8	013213-000	8
002888-000	7	050172-000	8
002889-000	7	068456-000	23
003083-000	17, 24	068457-000	16
003210-000	25	A1001138	8
003226-000	20	A1001862	12
003348-000	18	A1002596	24
003348-002	18	A1005571	16
003348-003	18	A1007861	11
003348-004	18	A2000210	7
003348-005	18	A20010137	23
003348-006	18	A20010139	16
003348-007	18	A20010693	9
003348-008	18	A2001112	25
003348-009	18	A2001132	12
003348-010	18	A20015315	22
003348-011	18	A2001631	12
003348-012	18	A2001633	12



A2001852	12	C9002504AL	15
A2001855	12	C9002504BK	15
A2001863	12	C9002504BT	15
A2002189	22	C9002504BU	15
A2002367	22	C9002504CB	15
A2002497	22	C9002504EP	15
A2002595	24	C9002504FG	15
A2004424	23	C9002504GG	15
A2004434	23	C9002504LE	15
A2004481	18	C9002504MJ	15
A2005579	16	C9002504SG	15
A2005583	21	C9002504VB	15
A2005584	18	C9002504WH	15
A2008467	24	C9002528AL	22
B1007913	17, 24	C9002528BK	22
B20010163	12	C9002528BT	22
B2001140	12	C9002528BU	22
B2001241	18	C9002528CB	22
B2001448	6	C9002528EP	22
B2002345	25	C9002528FG	22
B2002346	25	C9002528GG	22
B2002504	15	C9002528LE	22
B2002528	22	C9002528MJ	22
B2004415	23	C9002528SG	22
B2005589	6	C9002528VB	22
B2005683	18	C9002528WH	22
B2009846	12	C9005683AL	18
B9202373	8	C9005683BK	18
C9001241AL	18	C9005683BT	18
C9001241BK	18	C9005683BU	18
C9001241BT	18	C9005683CB	18
C9001241BU	18	C9005683EP	18
C9001241CB	18	C9005683FG	18
C9001241EP	18	C9005683GG	18
C9001241FG	18	C9005683LE	18
C9001241GG	18	C9005683MJ	18
C9001241LE	18	C9005683SG	18
C9001241MJ	18	C9005683VB	18
C9001241SG	18	C9005683WH	18
C9001241VB	18	C9302345BR	25
C9001241WH	18	C9302346BR	25





E9101130BK	25	PB040170	23
E91012614	24	PB040171	6
E9102668	15	PB040178	6
E9107933	24	PB040190	11
E9107934	24	PB040229	16
G30010697	9	PB040246	23
G30013336	9	PB040265	23
G3001584	8	PB040273	16
G3001876	6	PB050077	12
G4008493	10	PB050080	16
G50013584BK	25	PB060030	17, 24
G50013584WH	25	PB060044	24
G9101182BK	25	PB060046	17
G9101182WH	25	PB070145	15, 15, 22, 22
G9104482	24	PC020222	15, 22
G93011461PVD	9	PC020223	22
J2101749	9	PC020295	17, 24
M0210443	24	PC030017	18
PA010122	8	PC040010	7, 25
PA010123	8	PD010003	8
PA010185	8	PD010012	8, 20
PA020028	12, 25	PD010016	25
PA020056	20	PD010019	15, 22
PA020058	8	PD020002	8, 12, 15, 22, 25
PA030002BK	25	PD020004	7, 8, 11, 12, 15, 17, 18, 22, 24, 25
PA030002WH	25	PD020010	24
PA060037	25	PD020013	17, 24
PA060058	25	PD020014	20
PA070003	8	PD020032	15, 17, 18, 22, 24, 25
PA080015	25	PD020033	8
PA080036	25	PD020044	8
PA080037	25	PD020046	8
PB010206	8	PD020048	6, 16, 17, 21, 23, 24
PB010207	8	PD020060	6, 11, 16, 17, 18, 20, 21, 23, 24
PB010209	8	PD020063	24
PB020025	12	PD020079	9
PB020136	16, 20	PD030005	8
PB030006	8	PD030006	8, 15
PB040027	6	PD030018	6, 16, 23
PB040040	6	PD030029	8
PB040062	16	PD040004	9



PD040028 ..... 9  
PDB050077 ..... 11  
PE010030 ..... 15  
PE010031 ..... 15  
PE010068 ..... 15  
PE010076 ..... 15  
PE010081 ..... 8  
PE010082 ..... 8  
PE030001PVD ..... 15, 22  
PE030005 ..... 22  
PE030008 ..... 15  
PE030012PVD ..... 22  
PE030014PVD ..... 15  
PE050001 ..... 20  
PE050016 ..... 8  
PE050017 ..... 8  
PE050023 ..... 8  
PE050024 ..... 8  
PE050057 ..... 24  
PE050206 ..... 6, 11, 17  
PE060030 ..... 22  
PE060031 ..... 22  
PE060032 ..... 15  
PE060039 ..... 22  
PE060045 ..... 22  
PE060046 ..... 15  
PE060048 ..... 15  
PE060049 ..... 15  
PE070245 ..... 19  
PE070891 ..... 13  
PK000007 ..... 7  
PK000008 ..... 7