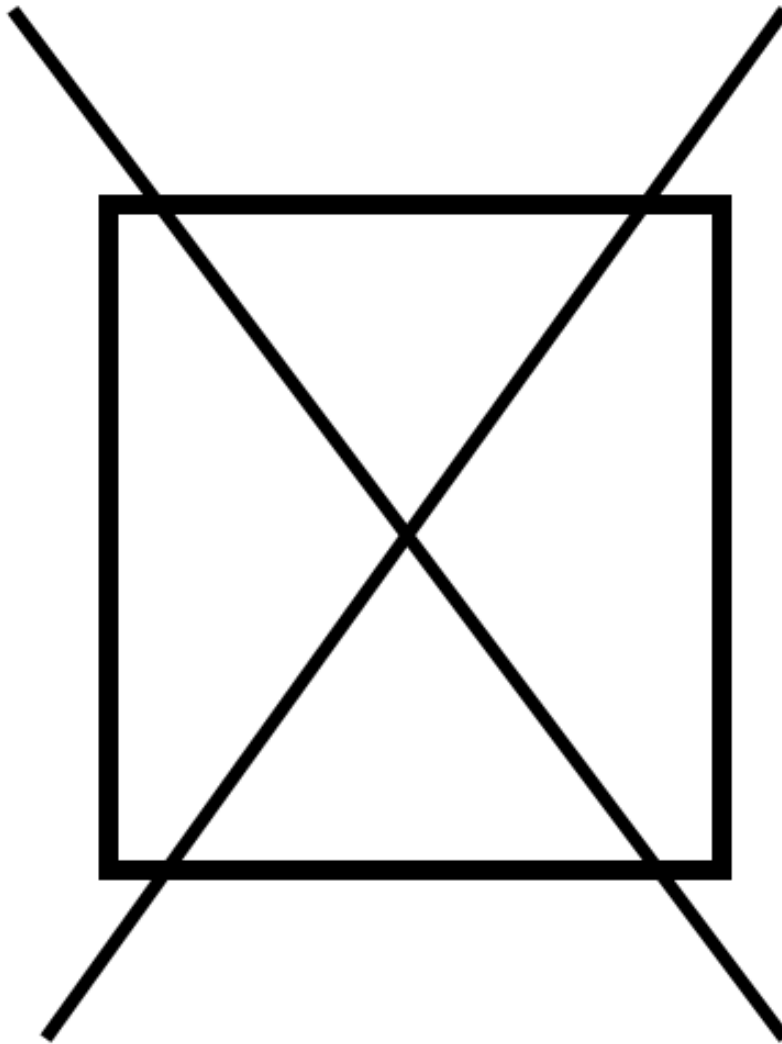


VGIC368-4Q

0003252-000 VGIC36-4Q HARNESS	1
000649-000 GRILL IGNITER WIRE	2
001754-000 POWER DISCONNECT HAR	3
001914-000 BROIL IGNITER WIRE	4
BAKE BURNER AREA	5
BAKE IGNITER WIRE	6
BROILER AREA	7
BURNER BOX INTERIOR	8
CONTROL AREA	9
DOOR ASSEMBLY	10
DRIP TRAY	11
G4008493 SUPPLY CORD	12
GRILL SUBASSEMBLY	13
LOWER UNIT AREA	14
MAIN OVEN CAVITY	15
PE070245 LIGHT EXTENSION HARNES	16
PE070889 IRIS HARNESS	17
REAR ELECTRONICS AND GAS FLOW	18
REAR SHEET METAL	19
SURFACE COOKING AREA	20
TOP BURNER IGNITER WIRES	21
WIRING DIAGRAM	22
Appendix A:Pages Index	A
Appendix B:Parts Index	B

NON
ILLUSTRATED PART



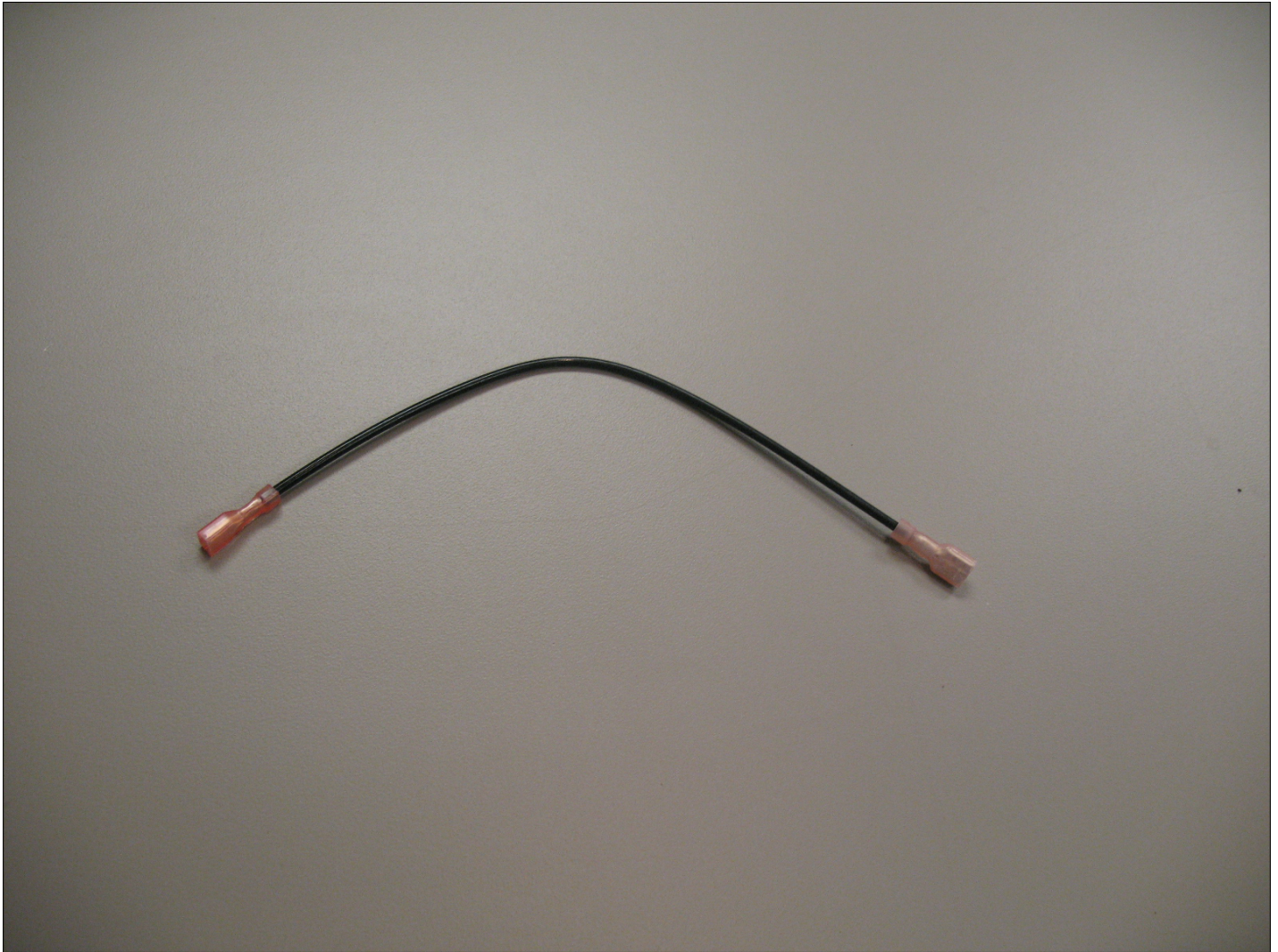


Item	Part No.	Name	Qty	Uom	NOTES
1	003252-000	VGIC364Q WIRE HARNESS	1	EA	NO LONGER AVAILABLE, Not available online / Call for pricing and availability



VGIC368-4Q

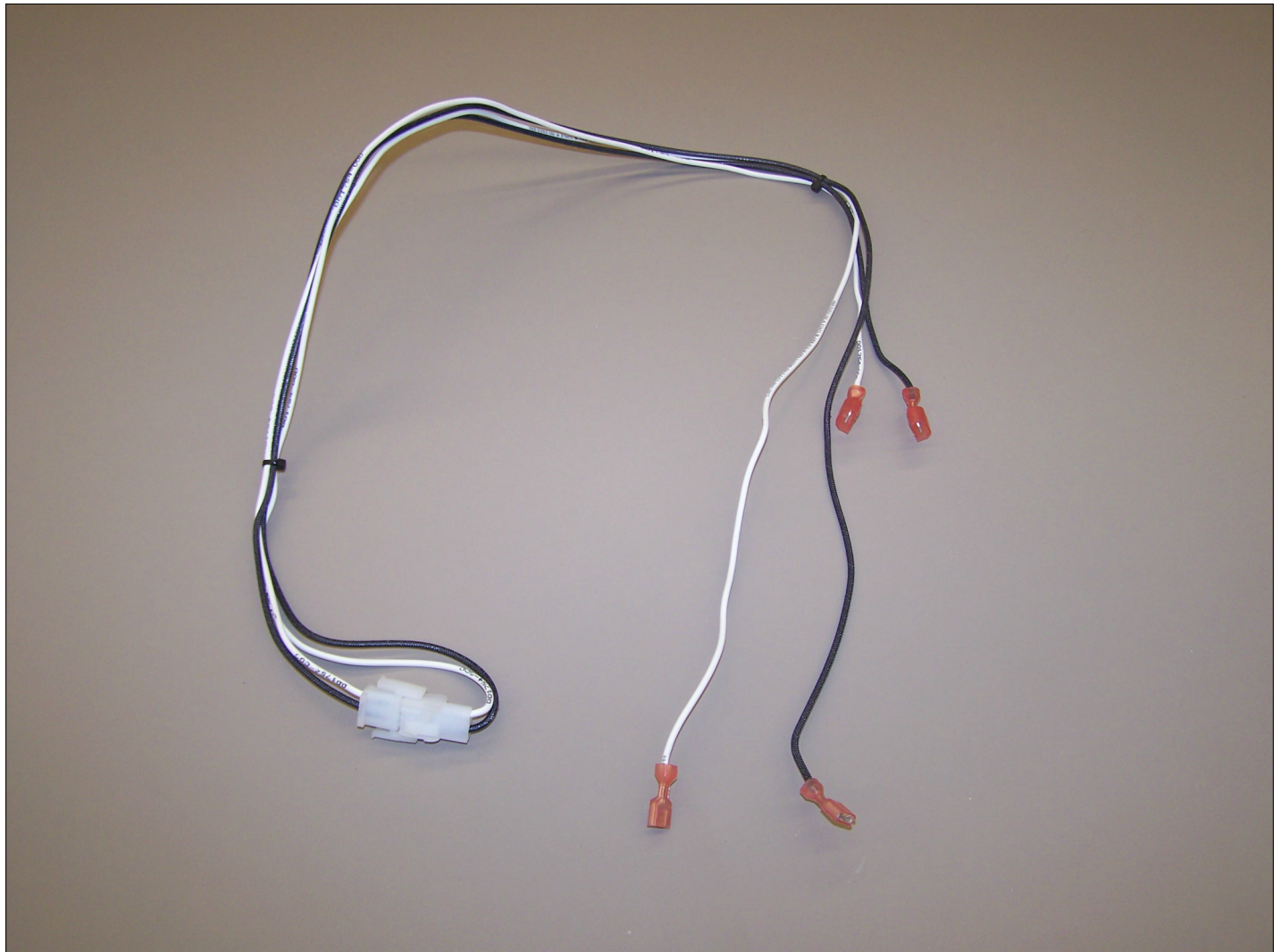
000649-000 GRILL IGNITER WIRE





Item	Part No.	Name	Qty	Uom	NOTES
1	000649-000	IRIS IGNITOR WIRE, GRILL	1	EA	

001754-000 POWER DISCONNECT HAR



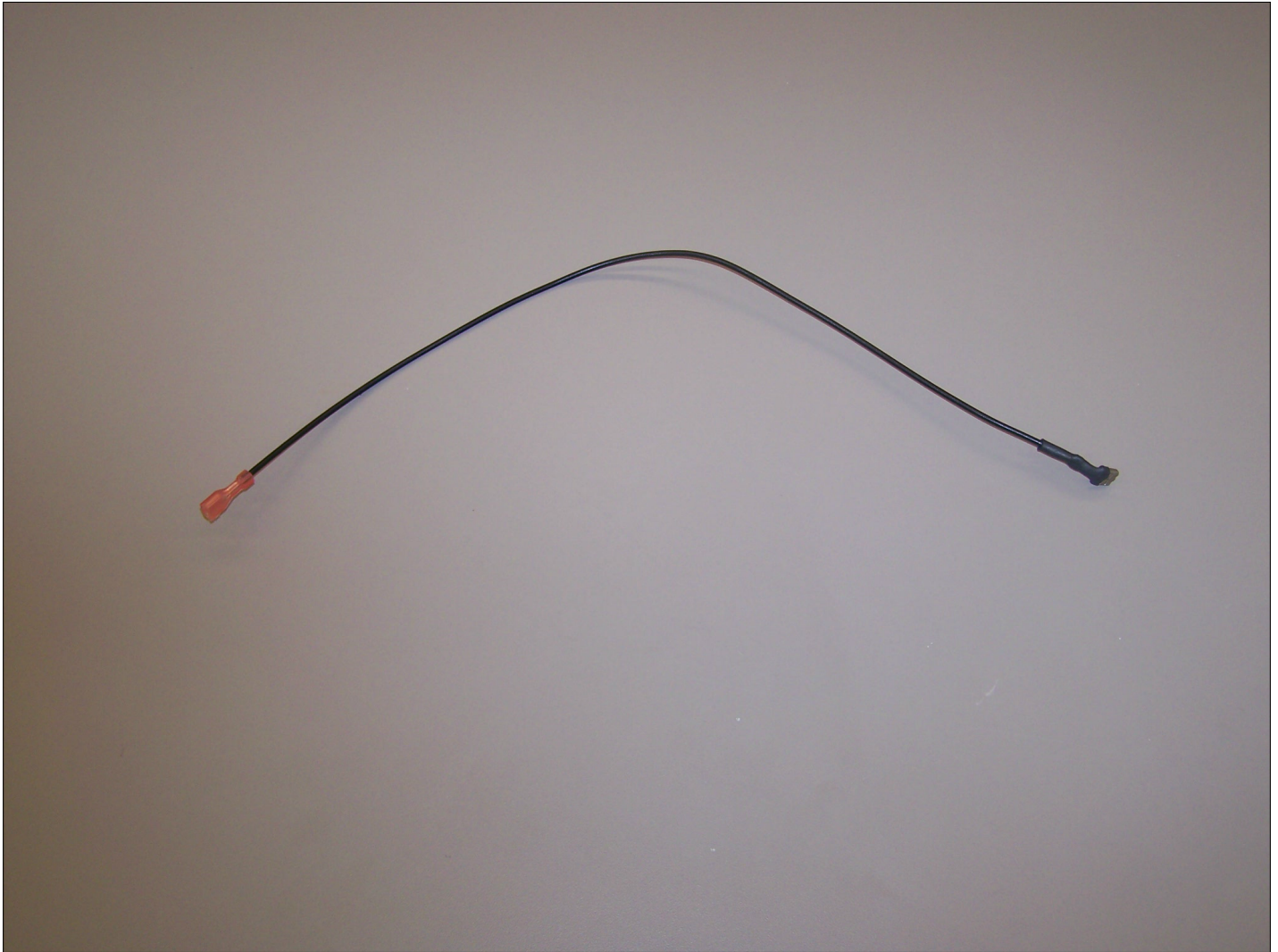


Item	Part No.	Name	Qty	Uom	NOTES
1	001754-000	HARNESS POWER DISCONNECT	1	EA	



VGIC368-4Q

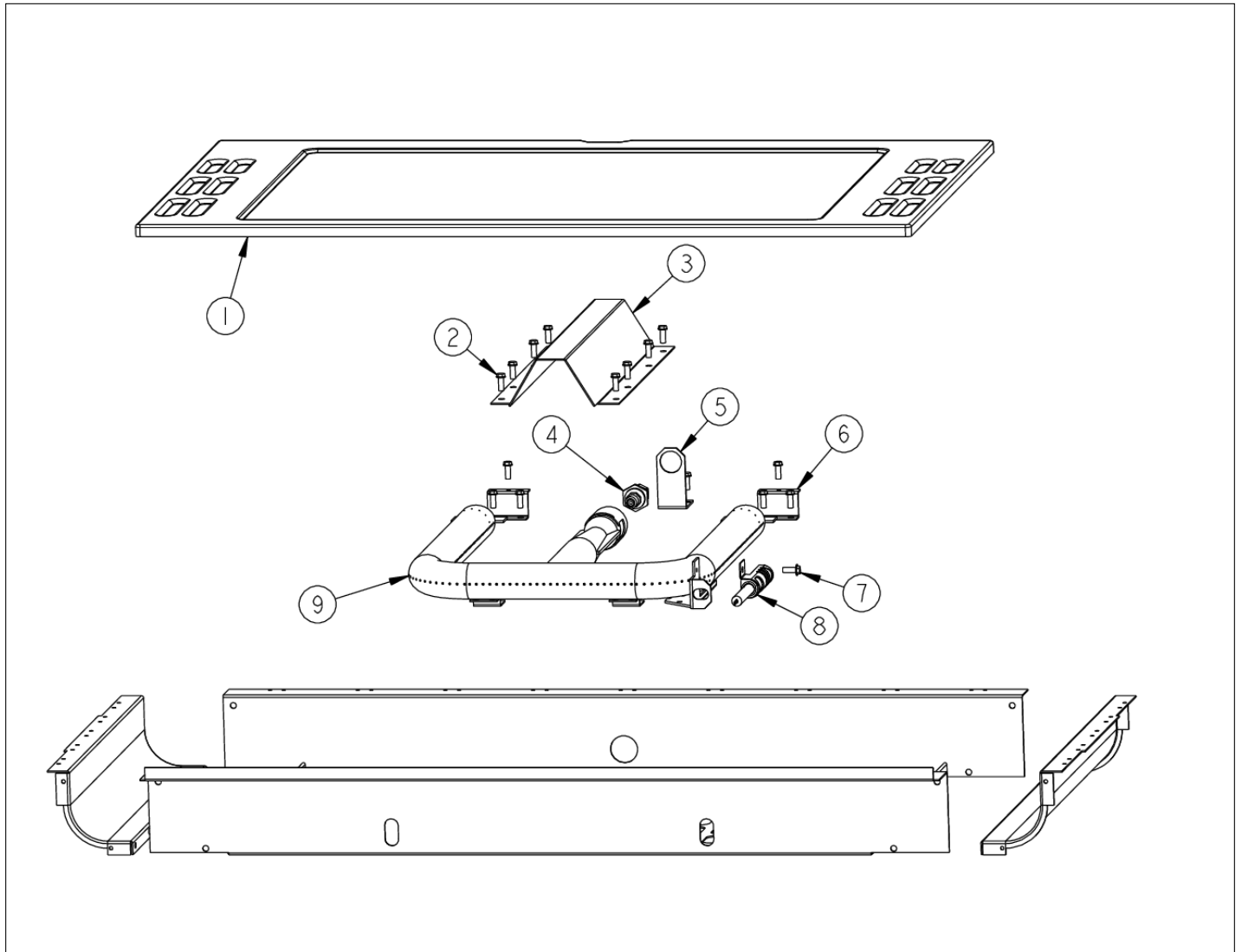
001914-000 BROIL IGNITER WIRE





Item	Part No.	Name	Qty	Uom	NOTES
1	001914-000	WIRE, ASSY, BROIL IGNITOR	1	EA	

BAKE BURNER AREA

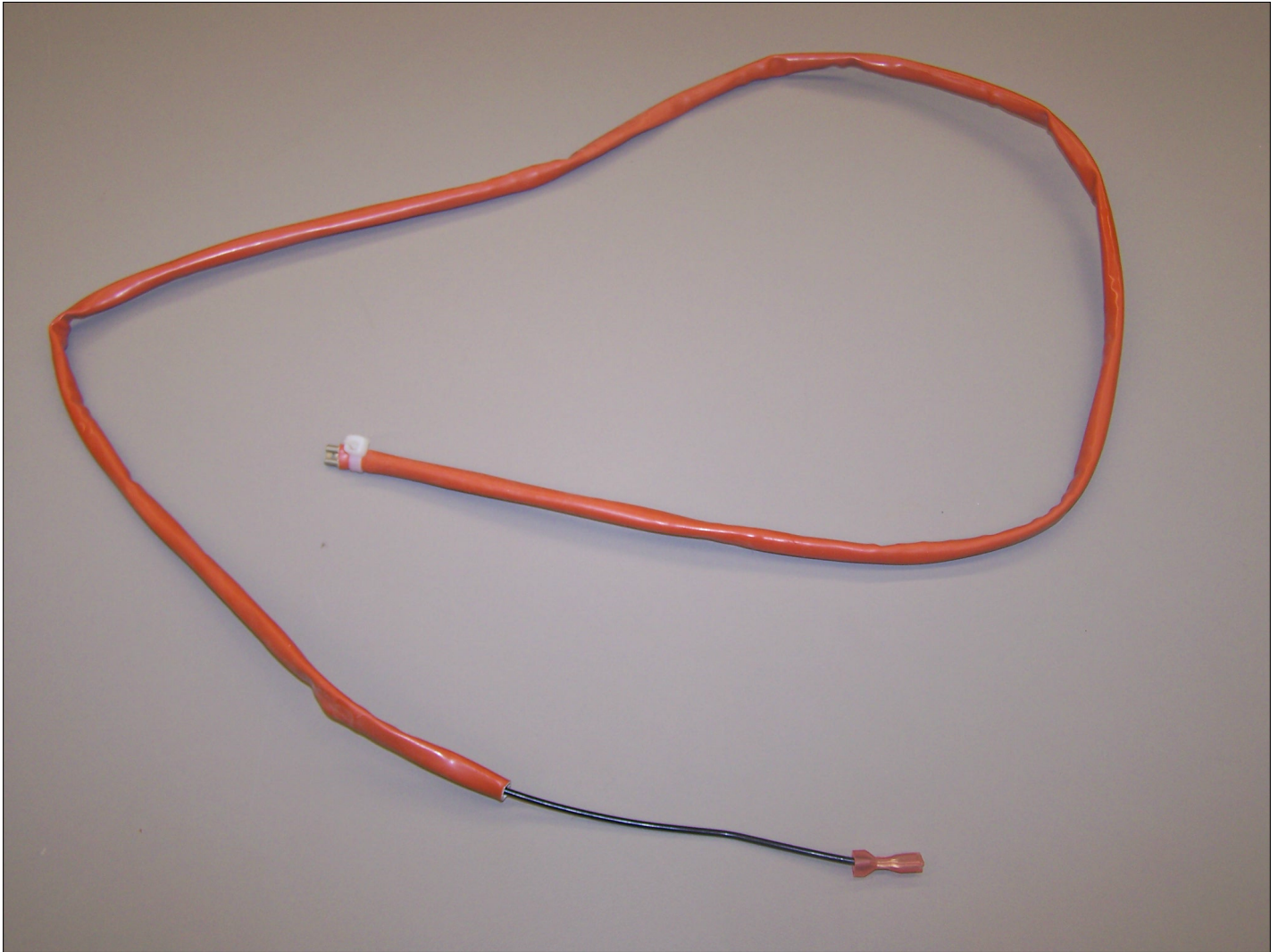




Item	Part No.	Name	Qty	Uom	NOTES
1	068458-000	ASM, BOTTOM, CAVITY, OVEN, GAS 36" GRAY		EA	
Not Shown	NOTE	(INCLUDES HEAT SHIELD)		EA	
2	PD020060	10 X 1/2" (5/16)HEX WSHER HD.(T)A		EA	
3	A2004424	BURNER COVER (VGSC306)		EA	
4	PB040172	3/8 X 3/8 ORIFICE FITTING (NAT)		EA	
5	A2004434	ORIFICE BRACKET (VGSC306)		EA	Not available online / Call for pricing and availability
6	B2004415	BURNER BRACKET (VGSC306)		EA	
7	PD020048	NO.10 X 1/2 TEK 410 SS SCREW		EA	
8	PB040170	BAKE IGNITION ELECTRODE		EA	
9	006200-000	U-SHAPE BAKE BURNER 10" NAT.		EA	



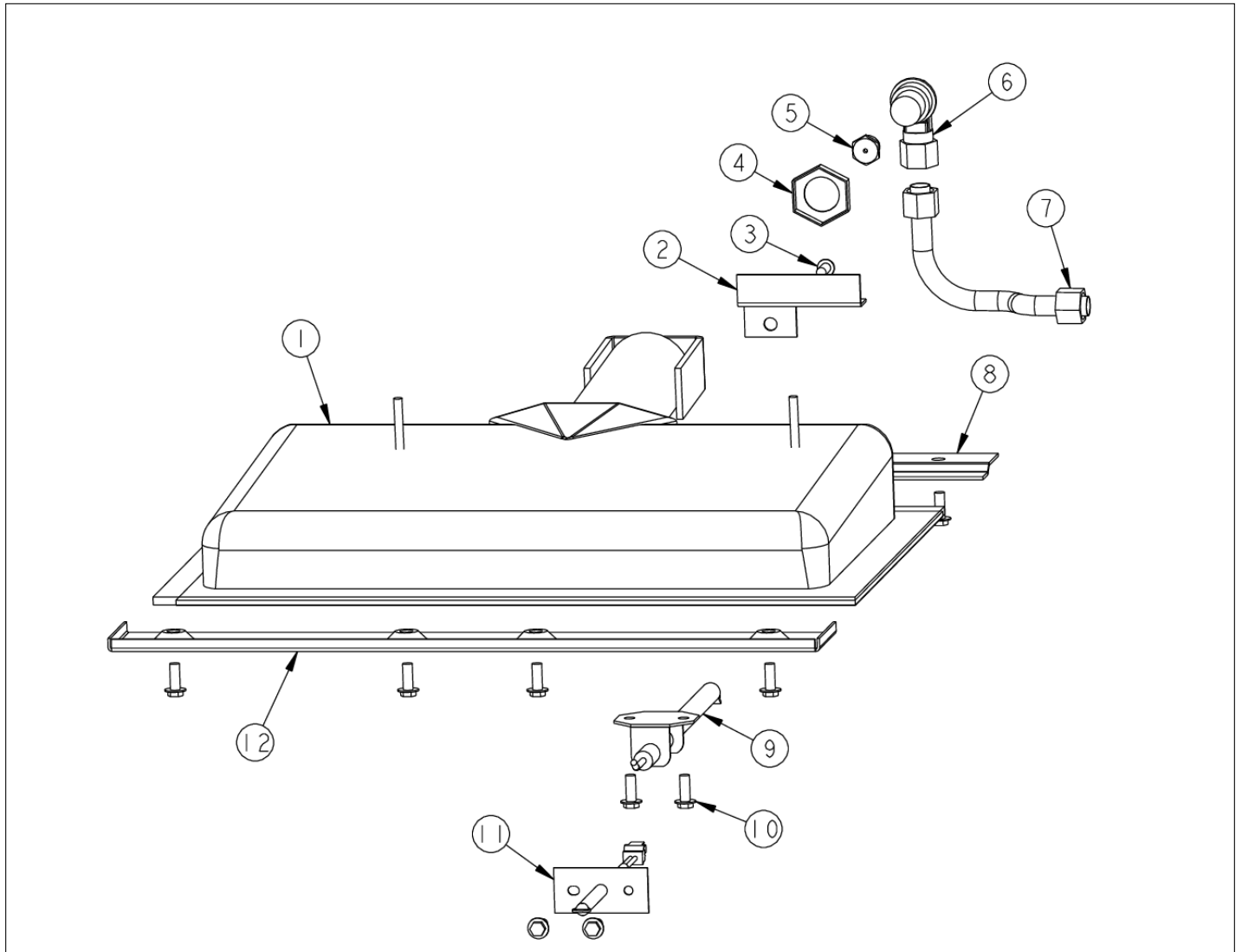
BAKE IGNITER WIRE





Item	Part No.	Name	Qty	Uom	NOTES
1	003143-000	BAKE IGNITOR WIRE 36"	1	EA	

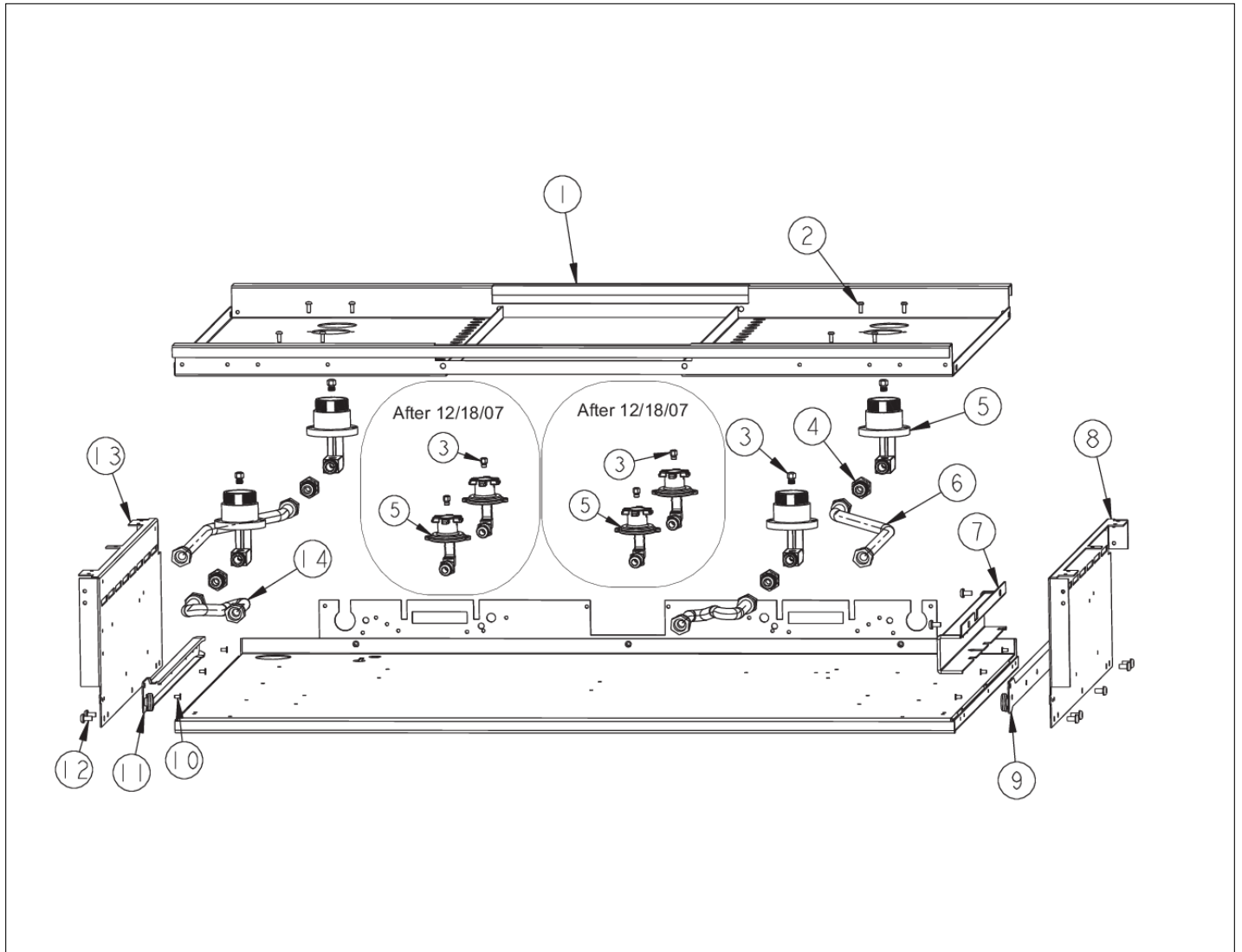
BROILER AREA





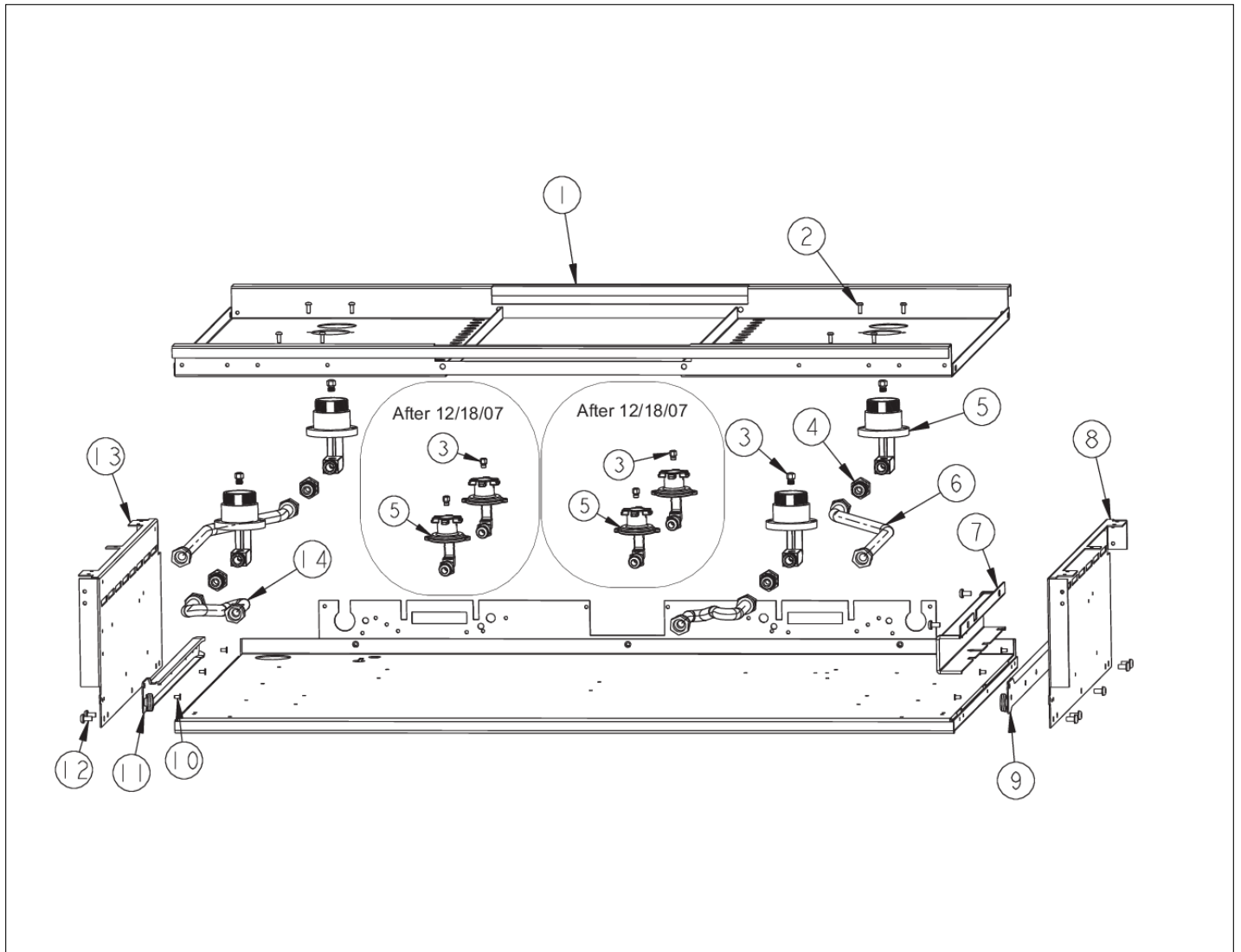
Item	Part No.	Name	Qty	Uom	NOTES
1	G3001876	IR BURNER ASSY (VGSC/RC) N/S	1	EA	
2	001348-000	BROIL INSULATION RETAINER	1	EA	NO LONGER AVAILABLE
3	PD020060	10 X 1/2" (5/16)HEX WSHER HD.(T)A	1	EA	
4	PD030018	PALNUT - 3/4-16	1	EA	
5	PB040040	ORIFICE-IR BURNER (VGSC)	1	EA	
6	PB040178	90 DEGREE ORIFICE FITTING (VGSC306)	1	EA	
7	000921-000	3/8" ALUM TUBING ELBOW	1	EA	
8	B2005589	REAR BROILER BRACKET	1	EA	Not available online / Call for pricing and availability
9	PB040171	BROIL IGNITION ELECTRODE	1	EA	
10	PD020048	NO.10 X 1/2 TEK 410 SS SCREW	1	EA	
11	PE050206	RTD THERMOSTAT PROBE	1	EA	
12	B2001448	IR BROIL SUPT (FRONT)	1	EA	

BURNER BOX INTERIOR





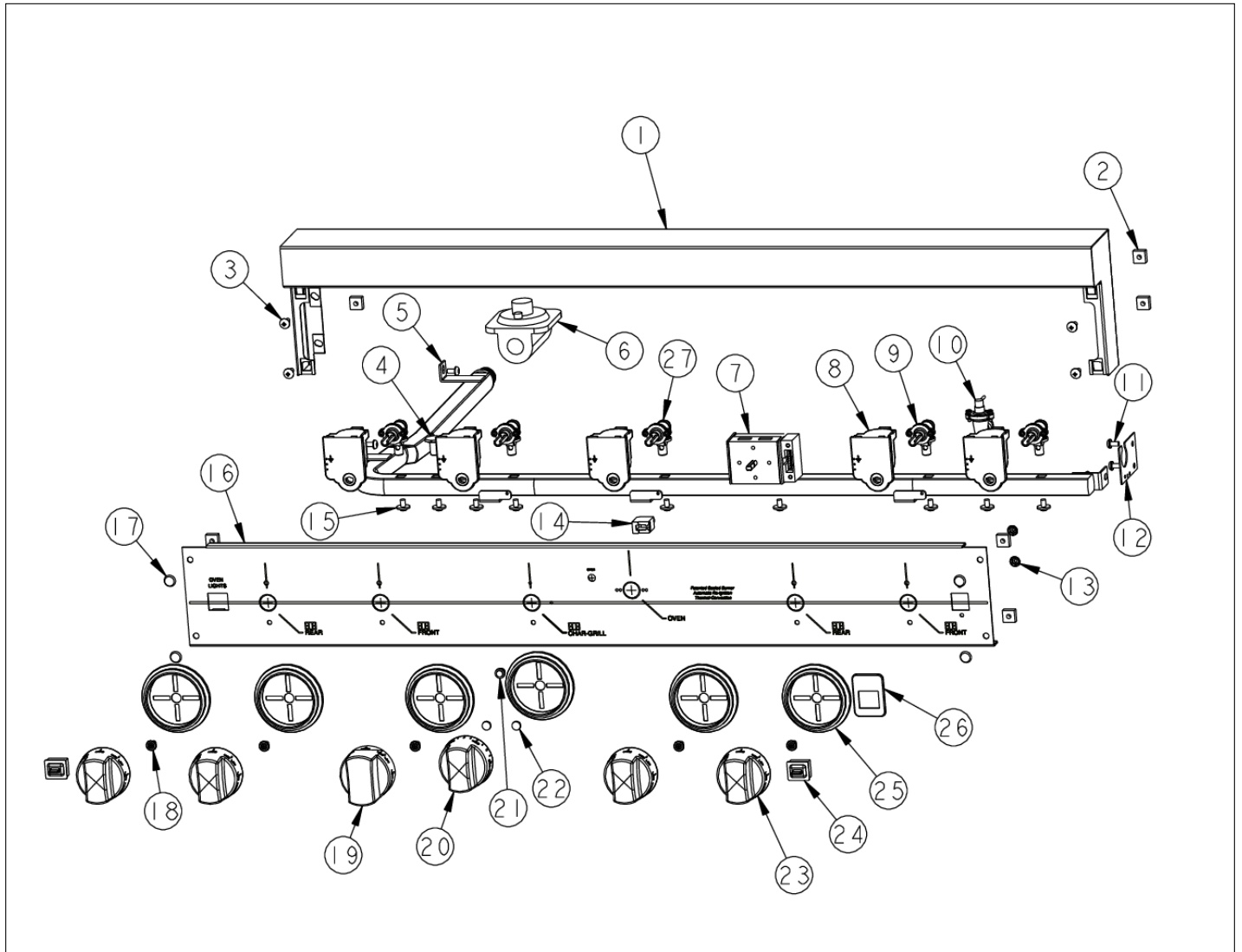
Item	Part No.	Name	Qty	Uom	NOTES
1	A2007865	Burner Support (4G / 4Q)	1	EA	Not available online / Call for pricing and availability
2	PD020076	6-32 X 3/8" PHILL PAN MS	1	EA	
3	PB040194	Orifice - Nat.	1	EA	
Not Shown	NOTE	(Before 12/18/07)		EA	
NI	001396-000	NATURAL GAS ORIFICE	1	EA	
Not Shown	NOTE	(After 12/18/07)		EA	
NI	PB040217	L.P. ORIFICE	1	EA	
Not Shown	NOTE	(Before 12/18/07)		EA	
NI	005990-000	1.10 MM LP BTU ORIFICE	1	EA	
Not Shown	NOTE	(After 12/18/07)		EA	
4	PA050086	5/8" MALE FLARE FITTING	1	EA	Not available online / Call for pricing and availability
5	PA080075	Burner Body	1	EA	
Not Shown	NOTE	(Before 12/18/07)		EA	
NI	001394-042	15000 BTU NAT JETHOLDER	1	EA	
Not Shown	NOTE	(After 12/18/07)		EA	
NI	001394-043	13500 BTU LP JETHOLDER	1	EA	
Not Shown	NOTE	(After 12/18/07)		EA	
6	PB020193	16" FLEX TUBING W/CONNECTORS	1	EA	
7	A2000210	WIRE CHANNEL	1	EA	NO LONGER AVAILABLE, Not available online / Call for pricing and availability
8	002888-000	BURNER BOX SIDE-RH	1	EA	NO LONGER AVAILABLE, Not available online / Call for pricing and availability
9	PK000008	Drip Tray Guide - RH	1	EA	NO LONGER AVAILABLE



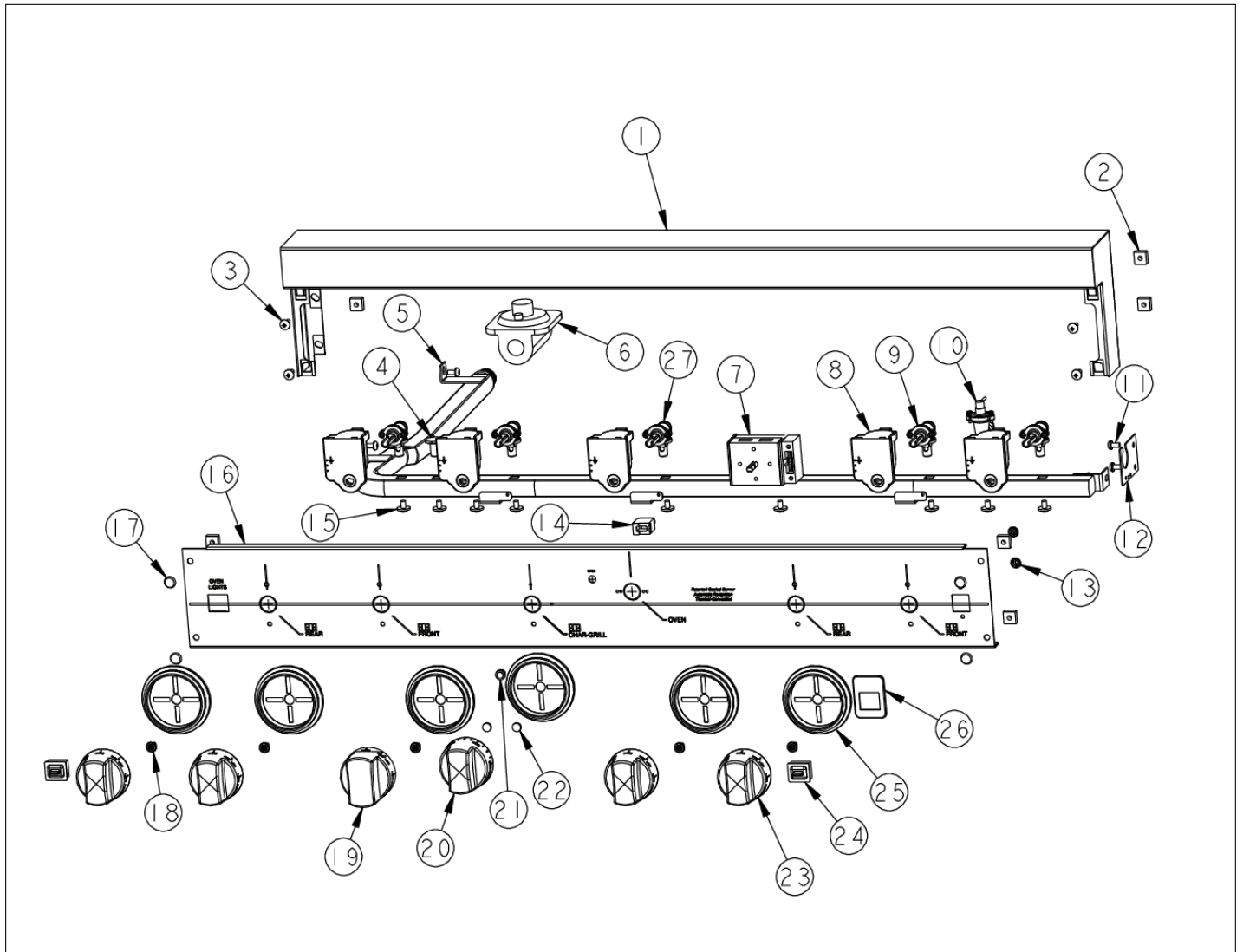


Item	Part No.	Name	Qty	Uom	NOTES
10	PC040010	POP RIVET (.063/GR -.125) GAMD42-A	1	EA	
11	PK000007	DRIP TRAY GUIDE - LH (VGRT)	1	EA	NO LONGER AVAILABLE
12	PD020004	10X3/8PH.HD.TYPE 25 REPL PD040125	1	EA	
13	002889-000	BURNER BOX SIDE-LH	1	EA	NO LONGER AVAILABLE, Not available online / Call for pricing and availability
14	PB020192	10" FLEX TUBING W/CONNECTORS	1	EA	

CONTROL AREA



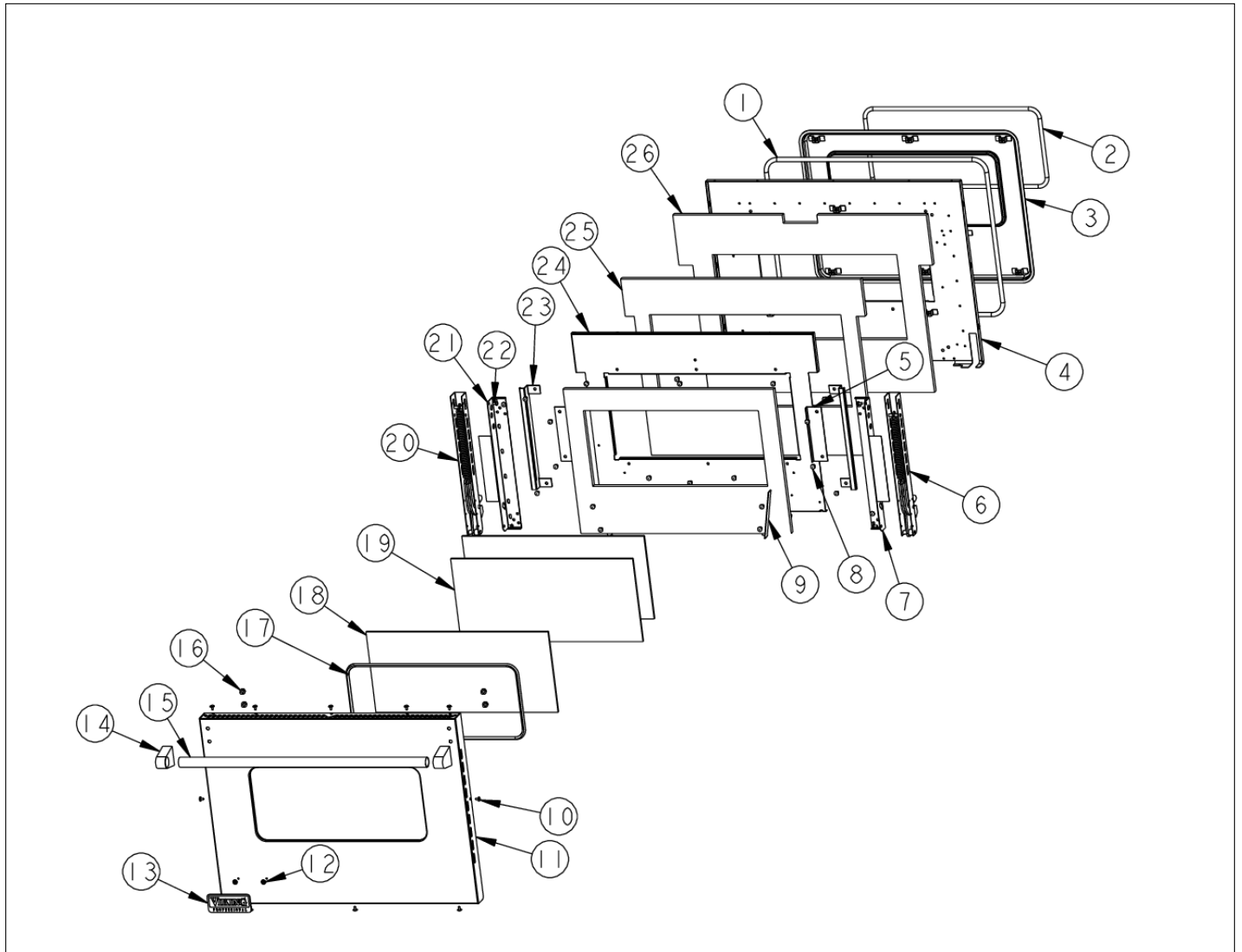
Item	Part No.	Name	Qty	Uom	NOTES
1	G3009151	Landing Ledge Assembly	1	EA	
2	PD030005	SELF RETAINING NUT	1	EA	
3	PD010003	10-24 X 1/2 PH.TR.HD.SERD.M.S.	1	EA	
4	002884-000	MANIFOLD PLUG	1	EA	
5	002158-000	36" UNIVERSAL MANIFOLD	1	EA	
6	PA070003	PRESSURE REGULATOR	1	EA	
7	013213-000	TSTAT, SMPS, ELEC, 2-POS, .91" SHAFT, CB	1	EA	
8	PA020058	IRIS SINGLE SPARK MODULE	1	EA	
9	003517-000	PA010158 VALVE AND BOLT KIT	1	EA	
10	007147-000	SHUTOFF VALVE ASSY	1	EA	
11	PD020004	10X3/8PH.HD.TYPE 25 REPL PD040125	1	EA	
12	A1001138	MANIFOLD BRKT	1	EA	NO LONGER AVAILABLE, Not available online / Call for pricing and availability
13	PD030006	CAPPED WASHER PAL NUT	1	EA	
14	PE050024	OVEN IND. LIGHT (LIGHT HOUSING)	1	EA	
<p>Comments for Part Num. PE050024</p> <p>haarnink@vikingrange.com on Jan 14, 2019</p> <p>please not that the indicator light is now part 043135-000 but needs the Jumper harness 051443-000. and second option there are units in the field with a 230V indicator light part number 036566-000.</p> <p>please check this for all "E" module ranges/Tops</p>					
15	PD010012	1/4 x 3/8 VALVE BOLT	1	EA	
16	B9202371	CTRL PAN- (VGRC365-4Q)*SLK SCR*	1	EA	
17	PD020033	SRW-#10-24X1/2"T(23)PH.WFR HD (NKL)	1	EA	
18	PD020046	' #8 X 1/2 SCREWS	1	EA	
19	PA010122	VGRC/IC/RT GRILL KNOB (BK)	1	EA	
19	PA010123	VGRC/IC/RT GRILL KNOB (WH)	1	EA	
20	000447-000	THERMOSTAT KNOB SELF- CLEAN (BK)	1	EA	





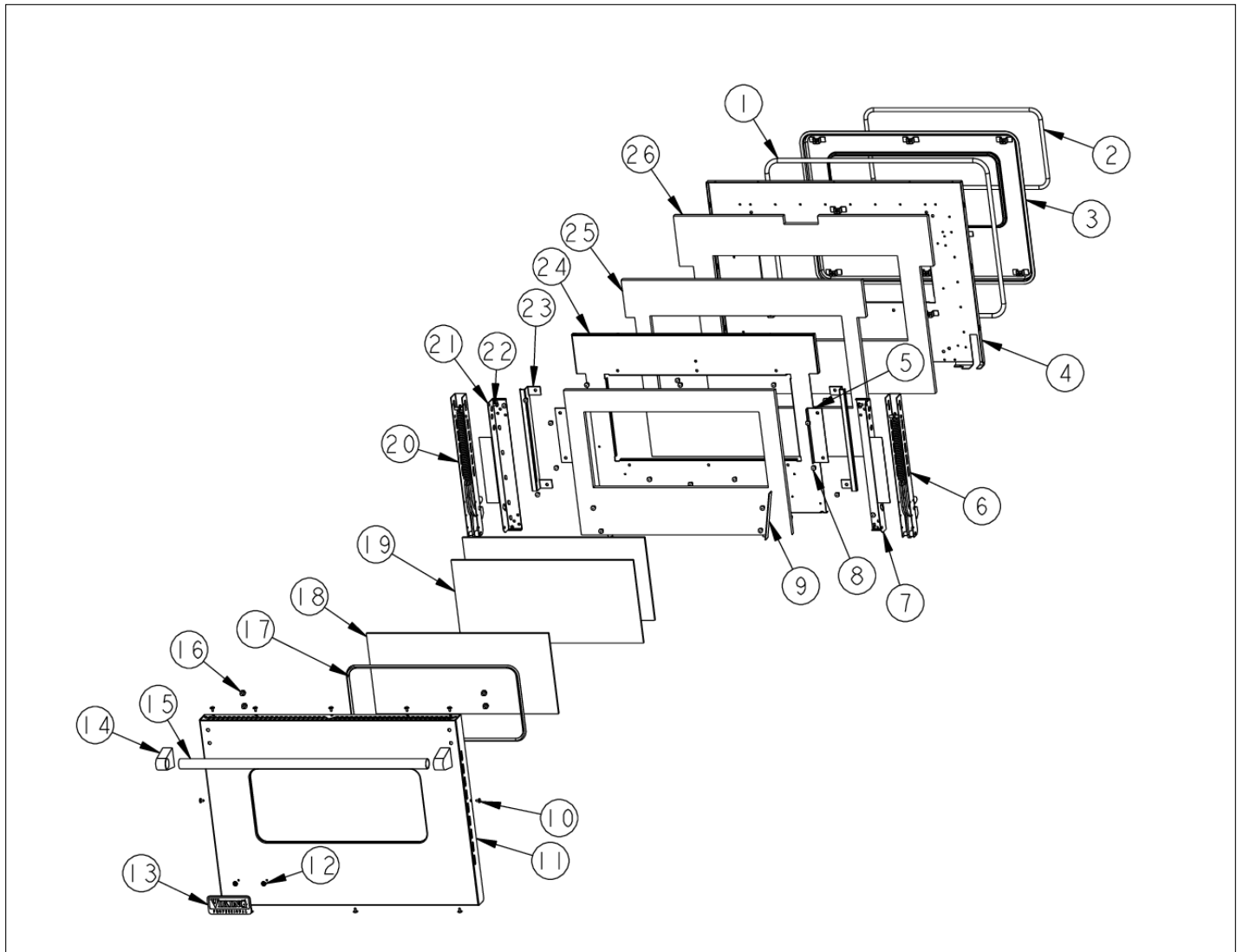
Item	Part No.	Name	Qty	Uom	NOTES
20	000447-006	OVEN KNOB WITH BROIL(WH)	1	EA	
21	PE050023	OVEN IND. LIGHT (LENS & BEZEL)	1	EA	
22	PD020044	#8-32 X 1/4" PH. TR. HD. M.S.	1	EA	
23	PB010206	TOP BURNER KNOB BK	1	EA	
23	PB010207	TOP BURNER KNOB WH	1	EA	Not available online / Call for pricing and availability
24	PE050016	OVEN LIGHT SWITCH - *BK* (WES-GAR)	1	EA	
24	PE050017	OVEN LIGHT SWITCH - *WH* (WES-GAR)	1	EA	
25	050172-000	BEZEL, KNOB	1	EA	
25	PB010209	Bezel - BR	1	EA	
26	PE010081	CONVECTION-LABEL/PLATE (CHROME)	1	EA	
26	PE010082	CONVECTION-LABEL/PLATE (*BR*)	1	EA	
27	003536-000	PA010159 VALVE AND BOLT KIT	1	EA	

DOOR ASSEMBLY



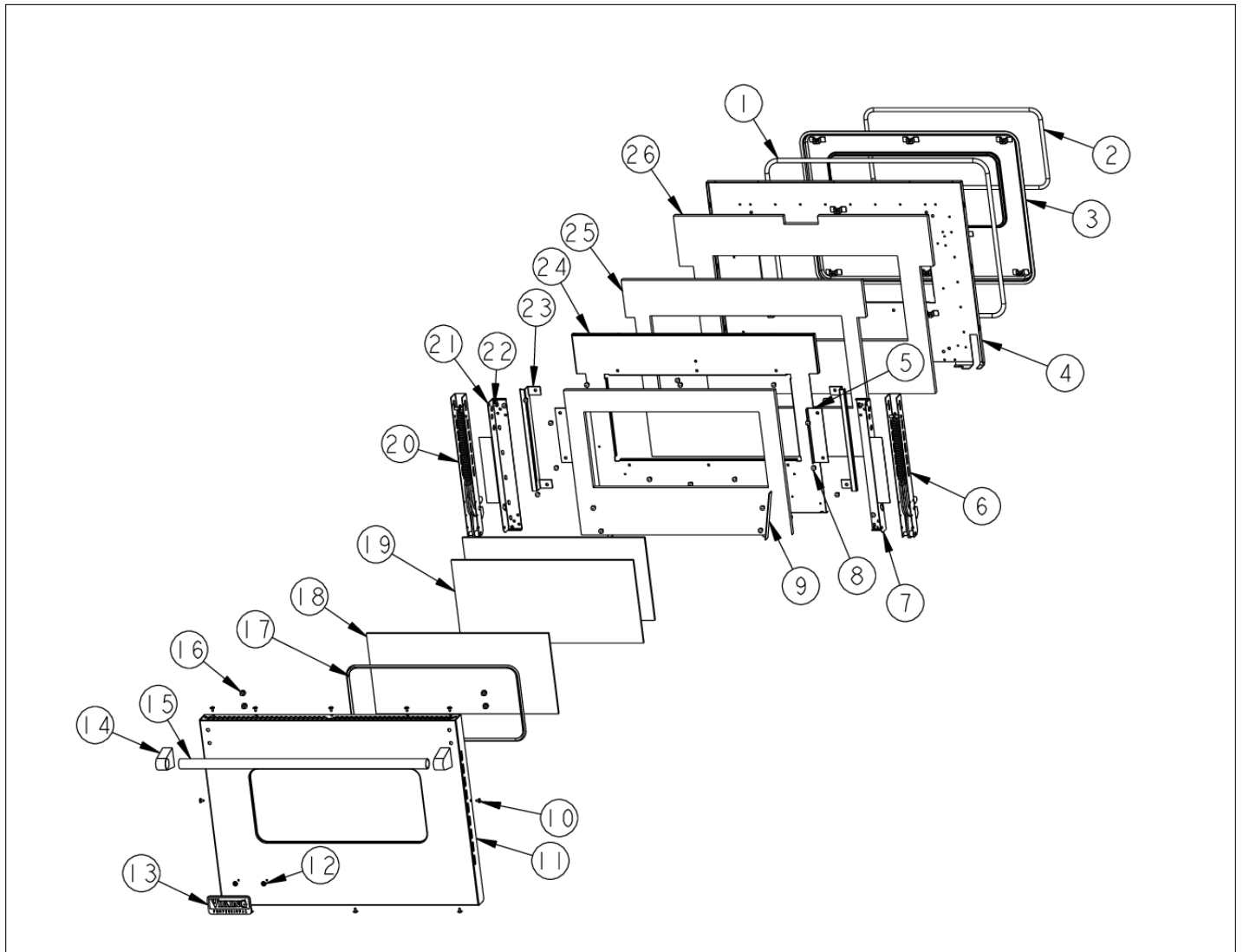


Item	Part No.	Name	Qty	Uom	NOTES
1	000090-000	36" DOOR GASKET	1	EA	
2	000594-000	BLACK FIBERGLASS ROPE 3/8	1	EA	
3	001399-000	DOOR PLUG ASSY PROC 36	1	EA	
4	001398-000	DOOR LINER ASSEMBLY PORC 36	1	EA	
5	A2002189	DOOR GLASS STANDOFF (VDSC)	1	EA	
6	PC020188	DOOR HINGE	1	EA	
7	000075-000	DOOR HINGE BRACKET	1	EA	Not available online / Call for pricing and availability
8	PD020002	10 X 1/2 PH.TR.HD.SMS.	1	EA	
9	A2002497	DOOR GUIDE ANGLE VDSC	1	EA	
10	PD020032	SRW-8(A)X3/8"PH.WFR HD 7/16DIA*NICL	1	EA	
11	B2002798	O/S DOOR PANEL *SS* (VDSC36)	1	EA	
11	C9002798AL	O/S DOOR PANEL-*AL* (VDSC36)	1	EA	NO LONGER AVAILABLE, Not available online / Call for pricing and availability
11	C9002798BK	O/S DOOR PANEL-*BK* (VDSC36)	1	EA	NO LONGER AVAILABLE
11	C9002798BT	O/S DOOR PANEL-*BT* (VDSC36)	1	EA	NO LONGER AVAILABLE, Not available online / Call for pricing and availability
11	C9002798BU	O/S DOOR PANEL-*BU* (VDSC36)	1	EA	NO LONGER AVAILABLE
11	C9002798CB	O/S DOOR PANEL-*CB* (VDSC36)	1	EA	NO LONGER AVAILABLE
11	C9002798EP	O/S DOOR PANEL-*EP* (VDSC36)	1	EA	NO LONGER AVAILABLE
11	C9002798FG	O/S DOOR PANEL-*FG* (VDSC36)	1	EA	NO LONGER AVAILABLE, Not available online / Call for pricing and availability
11	C9002798GG	O/S DOOR PANEL-*GG* (VDSC36)	1	EA	



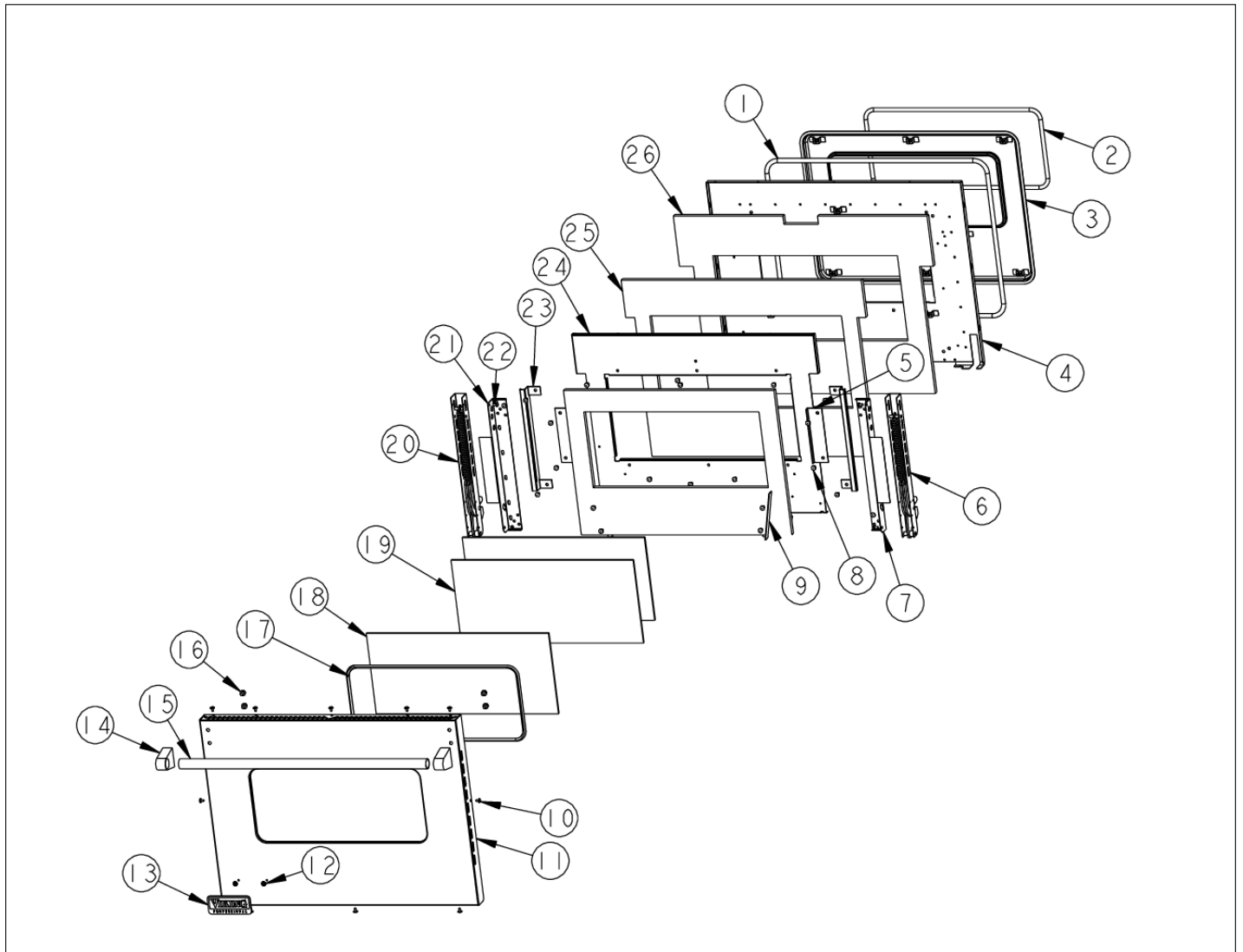


Item	Part No.	Name	Qty	Uom	NOTES
11	C9002798LE	O/S DOOR PANEL-*LE* (VDSC36)	1	EA	NO LONGER AVAILABLE, Not available online / Call for pricing and availability
11	C9002798MJ	O/S DOOR PANEL_*MJ* (VDSC36)	1	EA	Not available online / Call for pricing and availability
11	C9002798SG	O/S DOOR PANEL-*SG* (VDSC36)	1	EA	NO LONGER AVAILABLE, Not available online / Call for pricing and availability
11	C9002798VB	O/S DOOR PANEL-*VB* (VDSC36)	1	EA	NO LONGER AVAILABLE, Not available online / Call for pricing and availability
11	C9002798WH	O/S DOOR PANEL-*WH* (VDSC36)	1	EA	Not available online / Call for pricing and availability
12	PD030006	CAPPED WASHER PAL NUT	1	EA	
13	PE010030	LOGO	1	EA	
13	PE010068	LOGO 6" (VGRC) BK/BR	1	EA	
13	PE010031	LOGO 6" (VGRC) *BK/WH*	1	EA	NO LONGER AVAILABLE
13	PE010076	LOGO 6" (VGRC) *BR/WH*	1	EA	NO LONGER AVAILABLE
14	000268-000	HANDLE ENDCAP	1	EA	
14	PE030001PVD	END CAP DOOR HANDLE *BR	1	EA	
15	PE030006	DOOR HANDLE - 36" (VGRC)	1	EA	
15	PE030013PVD	DOOR HANDLE (36") PVD - NLA	1	EA	NO LONGER AVAILABLE
16	PD010019	BLT-1/4-20X3/8"HEX WASHER SERATED	1	EA	
17	PE060031	J-MOLD (LARGE WINDOW)	1	EA	
17	PE060045	J-MOLD (LARGE WINDOW) *BR*	1	EA	
18	PE060030	OUTER DOOR GLASS	1	EA	
19	PE060039	GLASS-HEAT TREATED (HB2) VDSC	1	EA	
20	PC020223	DOOR HINGE (LONG SPRING) NSF	1	EA	



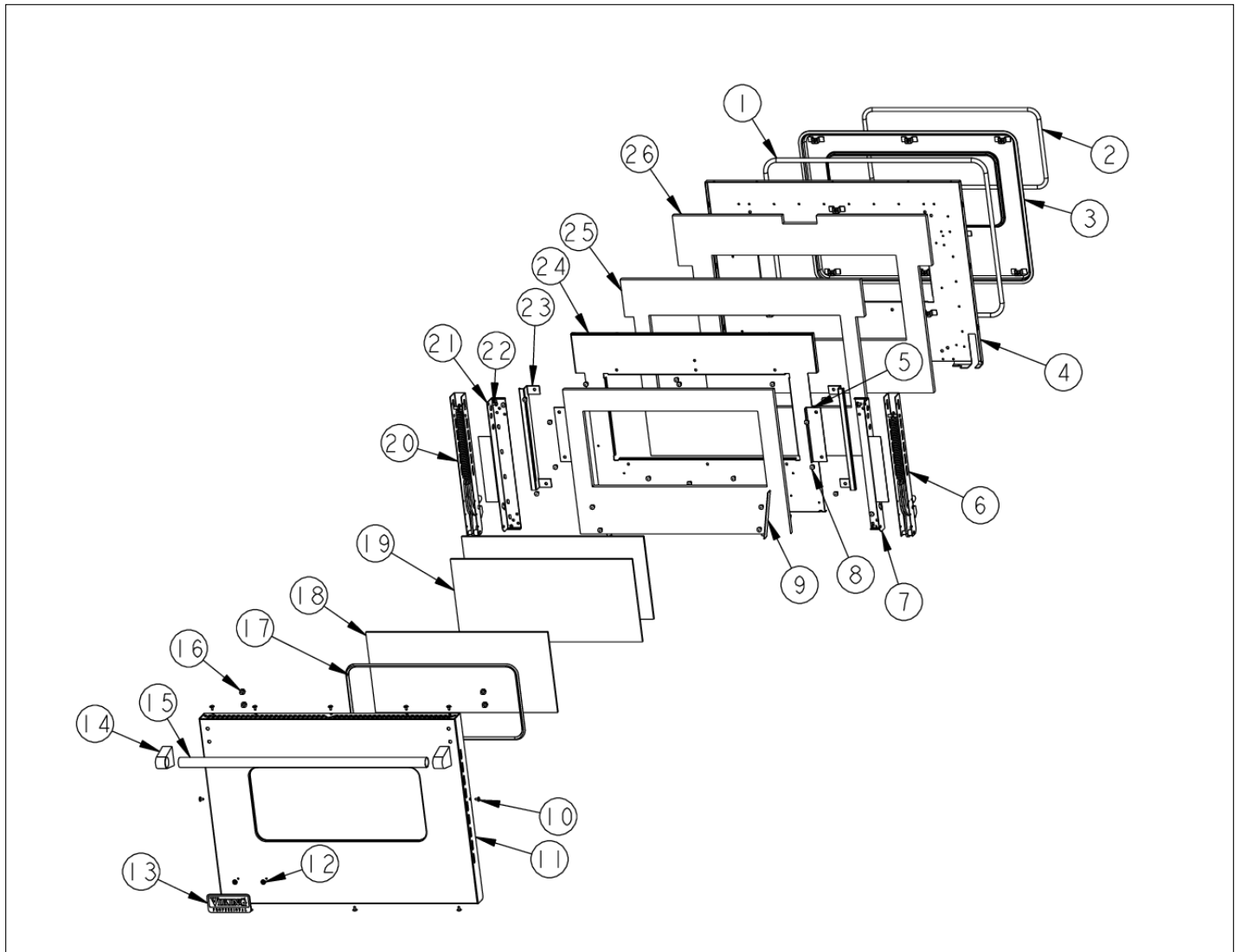


Item	Part No.	Name	Qty	Uom	NOTES
21	000932-000	DOOR HINGE BRACKET	1	EA	Not available online / Call for pricing and availability
22	PD020004	10X3/8PH.HD.TYPE 25 REPL PD040125	1	EA	
23	A2002367	DOOR GLASS BRKT	1	EA	
24	A20015329	DOOR INSULATION RETAINER	1	EA	
25	002561-000	36" DOOR INSULATION	1	EA	
26	002562-000	36" DOOR PLUG INSULATION	1	EA	
NI	000957-007	DOOR ASSY 36 (AL)	1	EA	NO LONGER AVAILABLE, Not available online / Call for pricing and availability
NI	000957-107	DOOR ASSEMBLY 36 (ALBR)	1	EA	NO LONGER AVAILABLE, Not available online / Call for pricing and availability
NI	000957-002	DOOR ASSY 36 (BK)	1	EA	NO LONGER AVAILABLE, Not available online / Call for pricing and availability
NI	000957-102	DOOR ASSEMBLY 36 (BKBR)	1	EA	NO LONGER AVAILABLE, Not available online / Call for pricing and availability
NI	000957-003	DOOR ASSY 36 (BT)	1	EA	NO LONGER AVAILABLE, Not available online / Call for pricing and availability
NI	000957-103	DOOR ASSEMBLY 36 (BTBR)	1	EA	NO LONGER AVAILABLE, Not available online / Call for pricing and availability
NI	000957-008	DOOR ASSY 36 (BU)	1	EA	NO LONGER AVAILABLE, Not available online / Call for pricing and availability
NI	000957-108	DOOR ASSEMBLY 36 (BUBR)	1	EA	NO LONGER AVAILABLE, Not available online / Call for pricing and availability



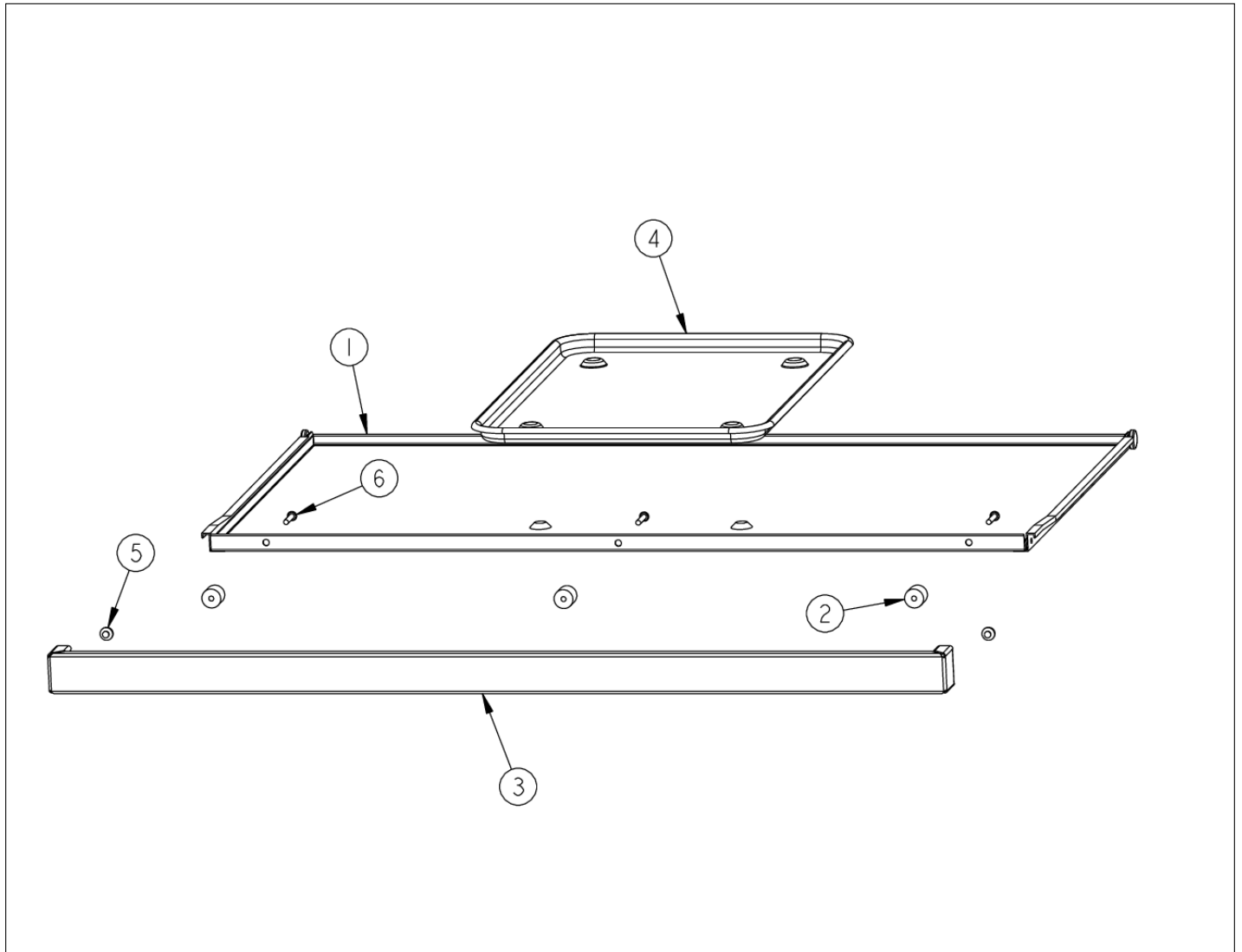


Item	Part No.	Name	Qty	Uom	NOTES
NI	000957-013	DOOR ASSEMBLY 36 (CB)	1	EA	NO LONGER AVAILABLE, Not available online / Call for pricing and availability
NI	000957-113	DOOR ASSEMBLY 36 (CBBR)	1	EA	NO LONGER AVAILABLE, Not available online / Call for pricing and availability
NI	000957-014	DOOR ASSEMBLY 36 (EP)	1	EA	NO LONGER AVAILABLE, Not available online / Call for pricing and availability
NI	000957-114	DOOR ASSEMBLY 36 (EPBR)	1	EA	NO LONGER AVAILABLE, Not available online / Call for pricing and availability
NI	000957-011	DOOR ASSEMBLY 36 (FG)	1	EA	NO LONGER AVAILABLE, Not available online / Call for pricing and availability
NI	000957-111	DOOR ASSEMBLY 36 (FGBR)	1	EA	NO LONGER AVAILABLE, Not available online / Call for pricing and availability
NI	000957-005	DOOR ASSY 36 (GG)	1	EA	
NI	000957-105	DOOR ASSEMBLY 36 (WHBR)	1	EA	NO LONGER AVAILABLE, Not available online / Call for pricing and availability
NI	000957-009	DOOR ASSEMBLY 36 (LE)	1	EA	NO LONGER AVAILABLE, Not available online / Call for pricing and availability
NI	000957-109	DOOR ASSEMBLY 36 (LEBR)	1	EA	NO LONGER AVAILABLE, Not available online / Call for pricing and availability
NI	000957-010	DOOR ASSEMBLY 36 (MJ)	1	EA	NO LONGER AVAILABLE, Not available online / Call for pricing and availability



Item	Part No.	Name	Qty	Uom	NOTES
NI	000957-110	DOOR ASSEMBLY 36 (MJBR)	1	EA	NO LONGER AVAILABLE, Not available online / Call for pricing and availability
NI	000957-004	DOOR ASSY 36 (SG)	1	EA	NO LONGER AVAILABLE, Not available online / Call for pricing and availability
NI	000957-104	DOOR ASSEMBLY 36 (SGBR)	1	EA	NO LONGER AVAILABLE, Not available online / Call for pricing and availability
NI	000957-000	DOOR ASSEMBLY 36	1	EA	Not available online / Call for pricing and availability
NI	000957-100	DOOR ASSEMBLY 36" (SSBR)	1	EA	NO LONGER AVAILABLE, Not available online / Call for pricing and availability
NI	000957-012	DOOR ASSEMBLY 36 (VB)	1	EA	NO LONGER AVAILABLE, Not available online / Call for pricing and availability
NI	000957-112	DOOR ASSEMBLY 36 (VBBR)	1	EA	NO LONGER AVAILABLE, Not available online / Call for pricing and availability
NI	000957-006	DOOR ASSY 36 (WH)	1	EA	Not available online / Call for pricing and availability
NI	000957-106	DOOR ASSEMBLY 36 (WHBR)	1	EA	NO LONGER AVAILABLE, Not available online / Call for pricing and availability

DRIP TRAY



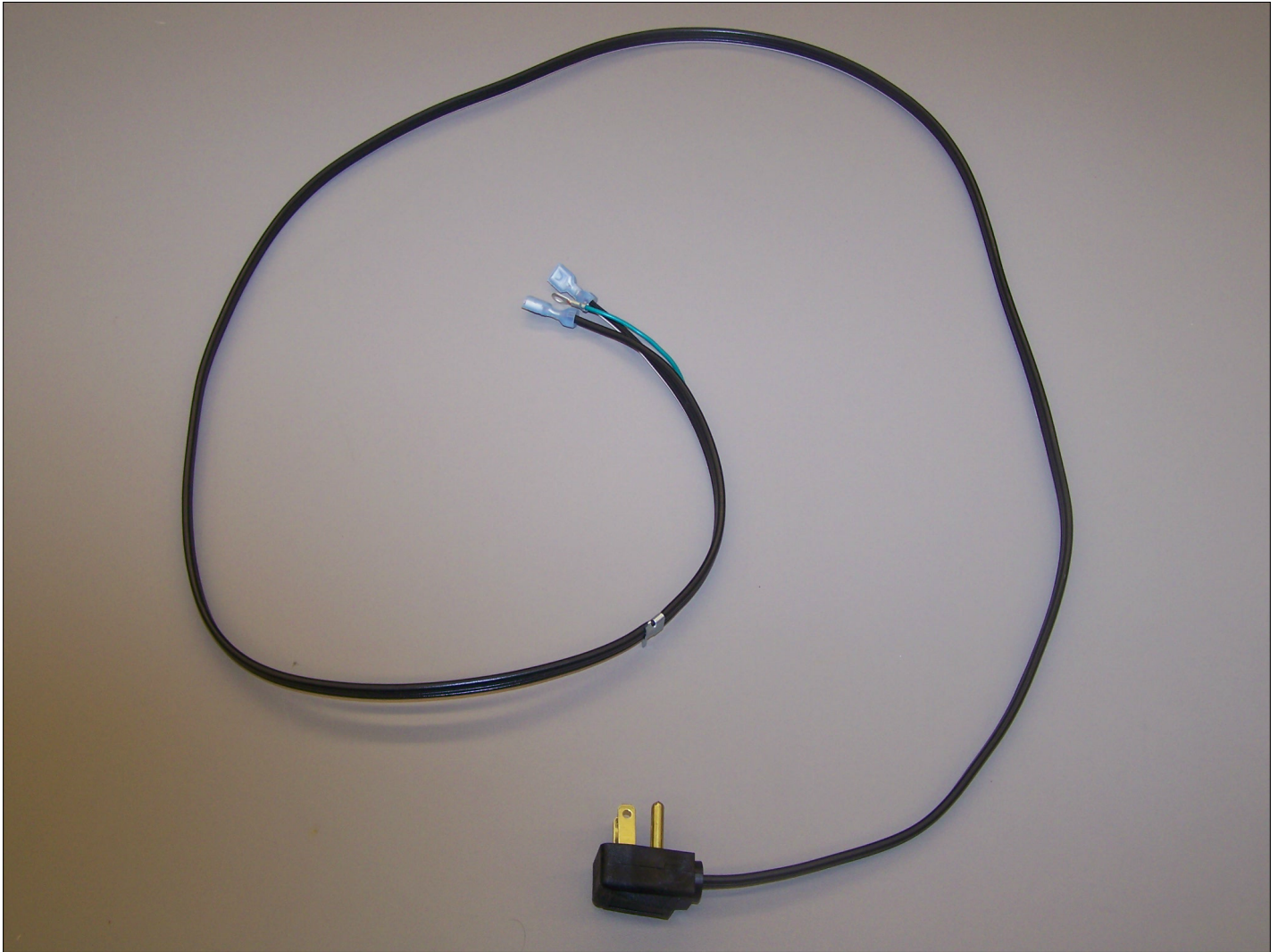


Item	Part No.	Name	Qty	Uom	NOTES
1	G30010455	36" DRIP TAY ASSY, NLA	1	EA	
2	PD040028	BUSHING(.194ID/.750OD/.750L ONG)	1	EA	
3	G30010696	DRIP TRAY HANDLE ASSY 36"	1	EA	
3	G93011459PVD	False Tray Handle - 6B (BR) - NLA	1	EA	
4	J2101749	GREASE PAN	1	EA	
5	PD040004	GROMMET BUMPER	1	EA	
6	PD020079	#10 X 1 1/4 PH. PAN HD. T(A) NYLOK	1	EA	



VGIC368-4Q

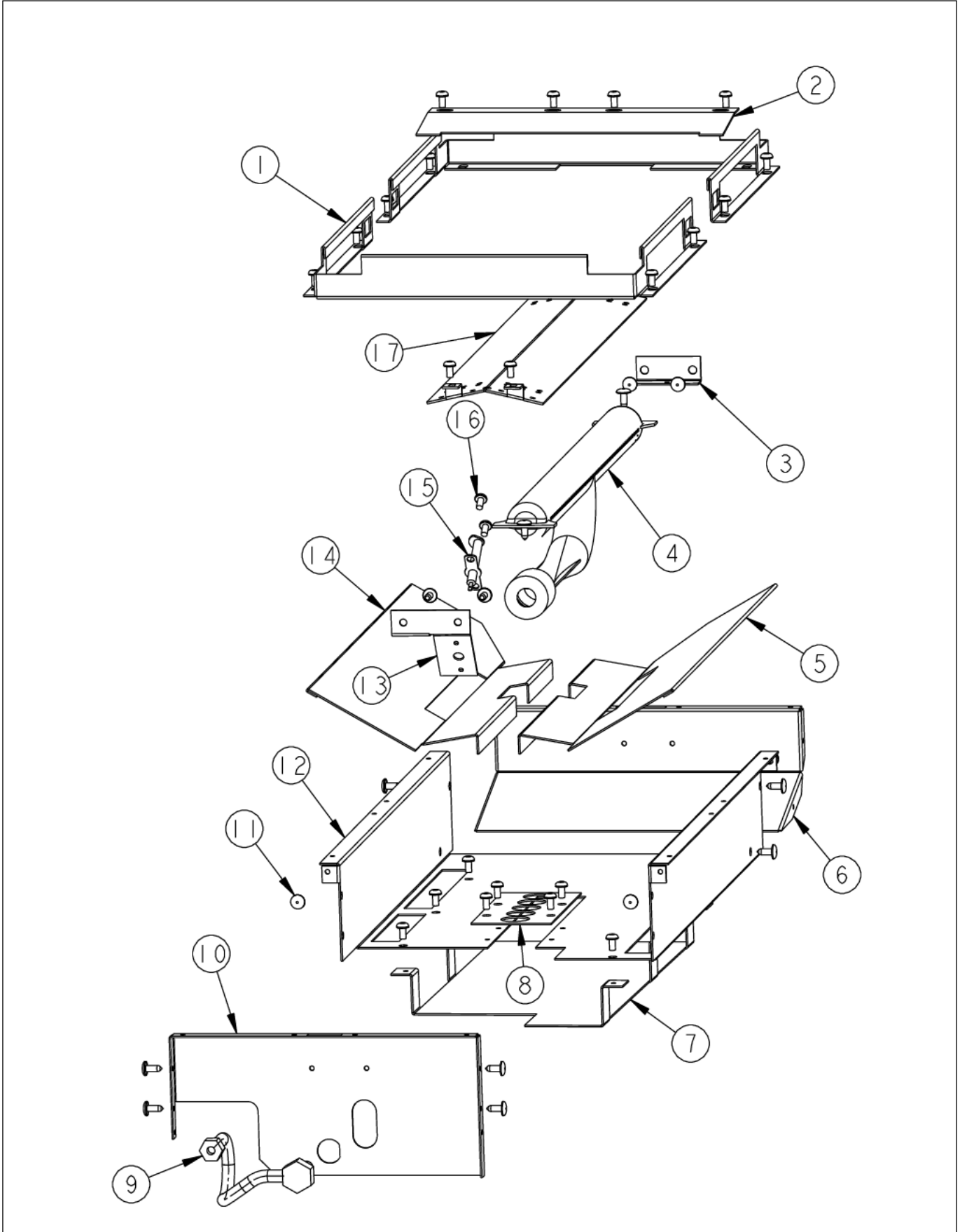
G4008493 SUPPLY CORD





Item	Part No.	Name	Qty	Uom	NOTES
1	G4008493	SUPPLY CORD ASSY- VGSU	1	EA	

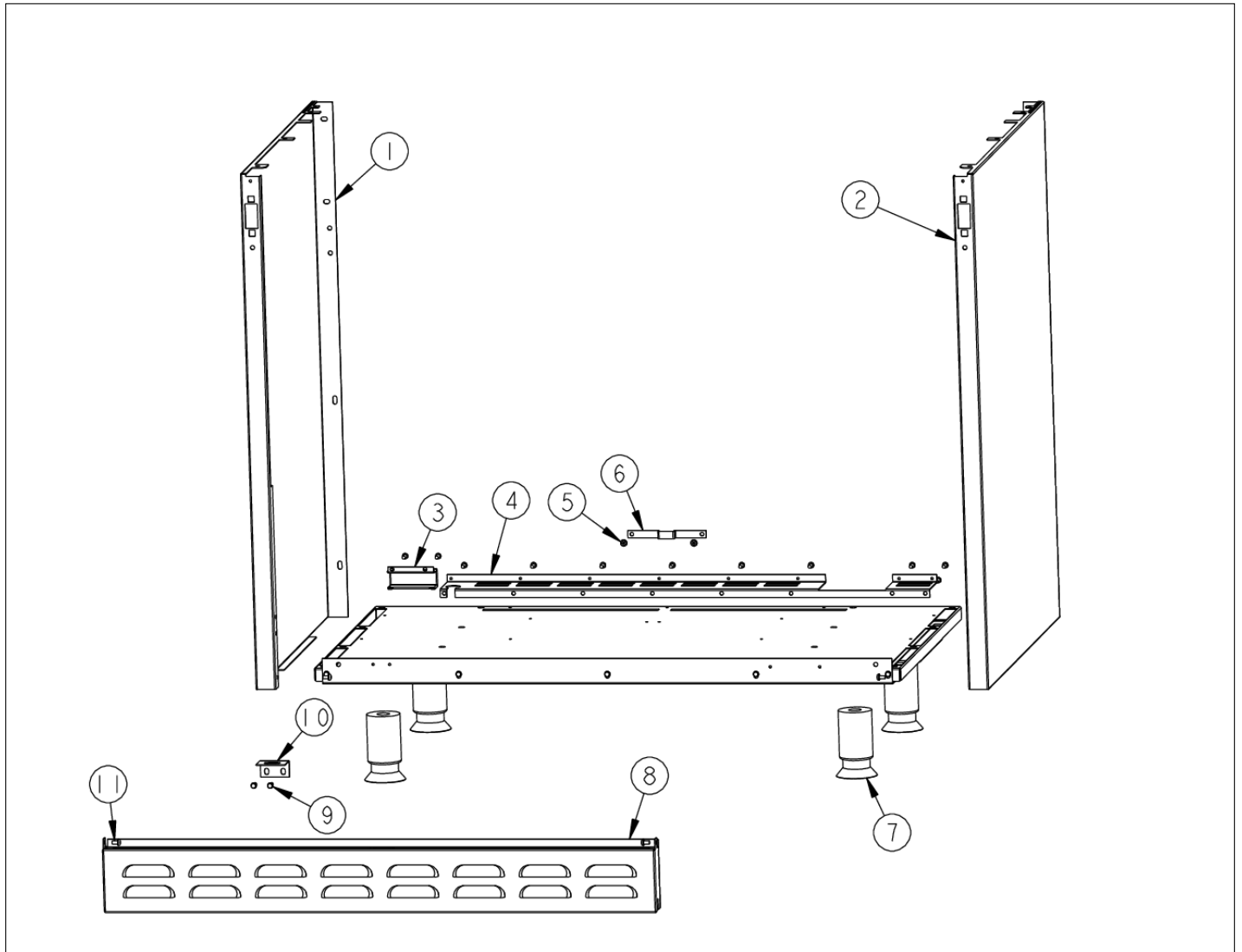
GRILL SUBASSEMBLY



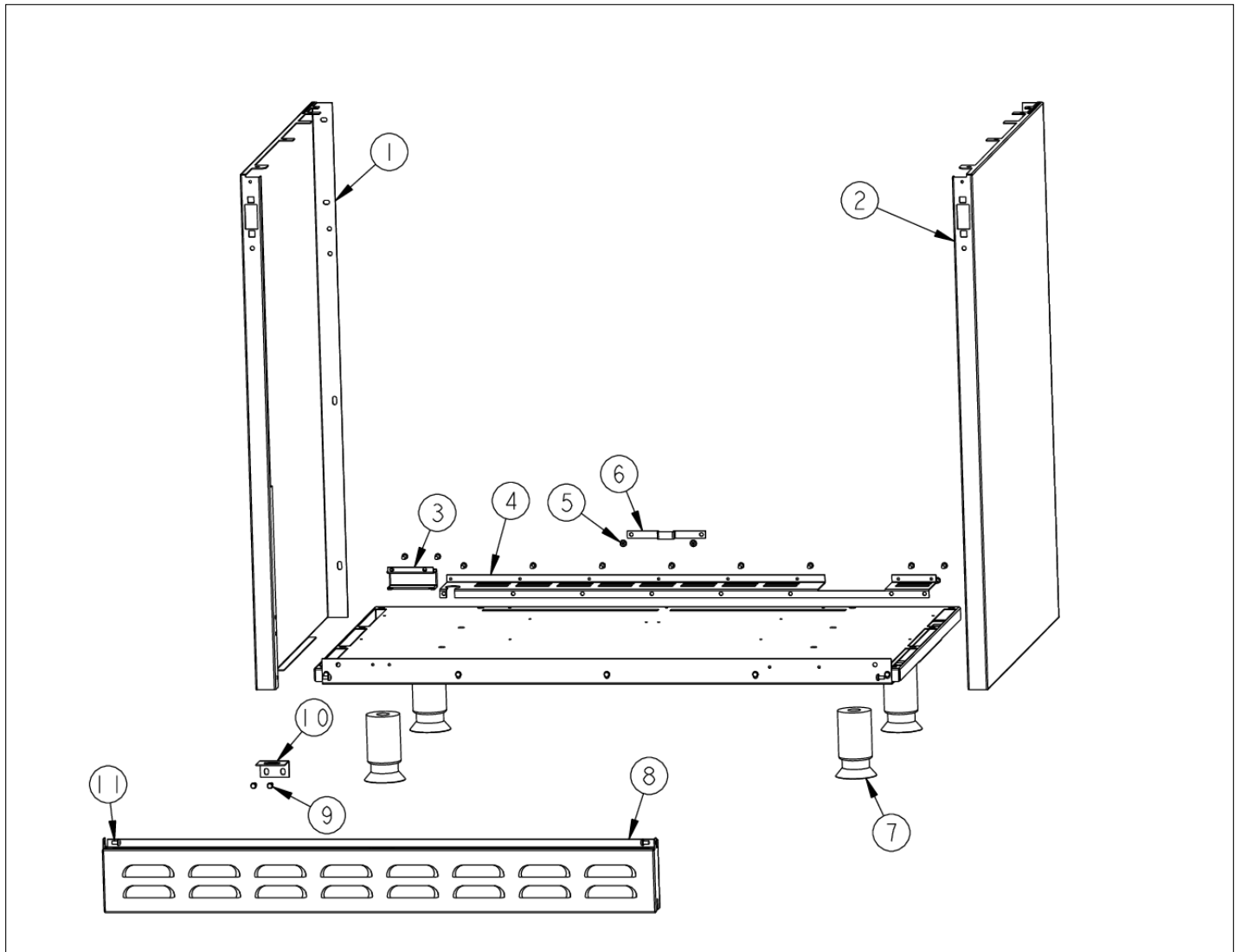


Item	Part No.	Name	Qty	Uom	NOTES
1	A2007871	SHIELD GRATE BRACKET	1	EA	NO LONGER AVAILABLE
2	A20010162	SHIELD BRACE	1	EA	
3	A2001132	REAR GRILL BURNER BRKT (VGRT)	1	EA	
4	PB050077	GRILL BURNER	1	EA	
5	B20010163	HEAT DEFLECTOR	1	EA	
6	A2001855	GRILL BACK - (VGRC605)	1	EA	
7	A2001863	GRILL BTM SHIELD (VGRC605)	1	EA	
8	A1007861	Griddle Venturi Cover	1	EA	Not available online / Call for pricing and availability
9	PB020025	TUBING-GRILL (REVISED) REP PB020021	1	EA	
10	A2001631	GRILL BOX FRONT (VGRC)	1	EA	
11	PD020002	10 X 1/2 PH.TR.HD.SMS.	1	EA	
12	A2007863	GRILL BOX	1	EA	NO LONGER AVAILABLE, Not available online / Call for pricing and availability
13	A2001633	GRILL FRONT SPARKER BRKT (VGRC)	1	EA	
14	B2009846	HEAT DEFLECTOR	1	EA	
15	PA020028	SPARK IGNITER	1	EA	
16	PD020004	10X3/8PH.HD.TYPE 25 REPL PD040125	1	EA	
17	G30012657	FLAME SHIELD ASSEMBLY	1	EA	

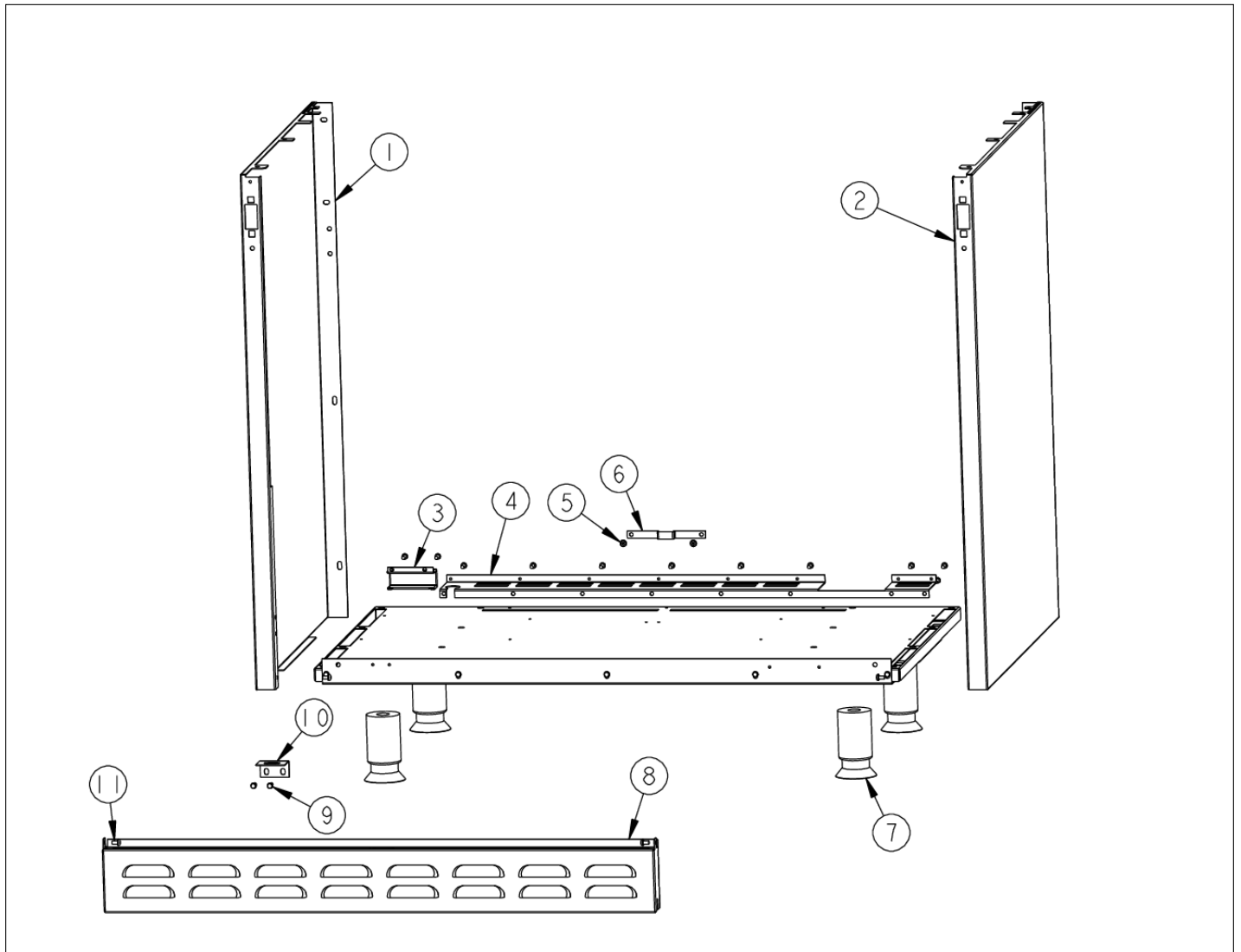
LOWER UNIT AREA



Item	Part No.	Name	Qty	Uom	NOTES
1	B20010180	O/S BODY PANEL - LH	1	EA	
1	C90010180AL	SIDE PANEL LH *AL*	1	EA	NO LONGER AVAILABLE, Not available online / Call for pricing and availability
1	C90010180BK	SIDE PANEL LH *BK*	1	EA	Not available online / Call for pricing and availability
1	C90010180BT	SIDE PANEL LH *BT*	1	EA	NO LONGER AVAILABLE, Not available online / Call for pricing and availability
1	C90010180BU	SIDE PANEL LH *BU*	1	EA	
1	C90010180CB	SIDE PANEL LH *CB*	1	EA	NO LONGER AVAILABLE
1	C90010180EP	SIDE PANEL LH *EP*	1	EA	NO LONGER AVAILABLE, Not available online / Call for pricing and availability
1	C90010180FG	SIDE PANEL LH *FG*	1	EA	NO LONGER AVAILABLE, Not available online / Call for pricing and availability
1	C90010180GG	SIDE PANEL LH *GG*	1	EA	NO LONGER AVAILABLE, Not available online / Call for pricing and availability
1	C90010180LE	SIDE PANEL LH *LE*	1	EA	NO LONGER AVAILABLE, Not available online / Call for pricing and availability
1	C90010180MJ	SIDE PANEL LH *MJ*	1	EA	
1	C90010180SG	SIDE PANEL LH *SG*	1	EA	NO LONGER AVAILABLE, Not available online / Call for pricing and availability
1	C90010180VB	SIDE PANEL LH *VB*	1	EA	NO LONGER AVAILABLE, Not available online / Call for pricing and availability
1	C90010180WH	SIDE PANEL LH *WH*	1	EA	
2	B20010179	O/S BODY PANEL - RH	1	EA	

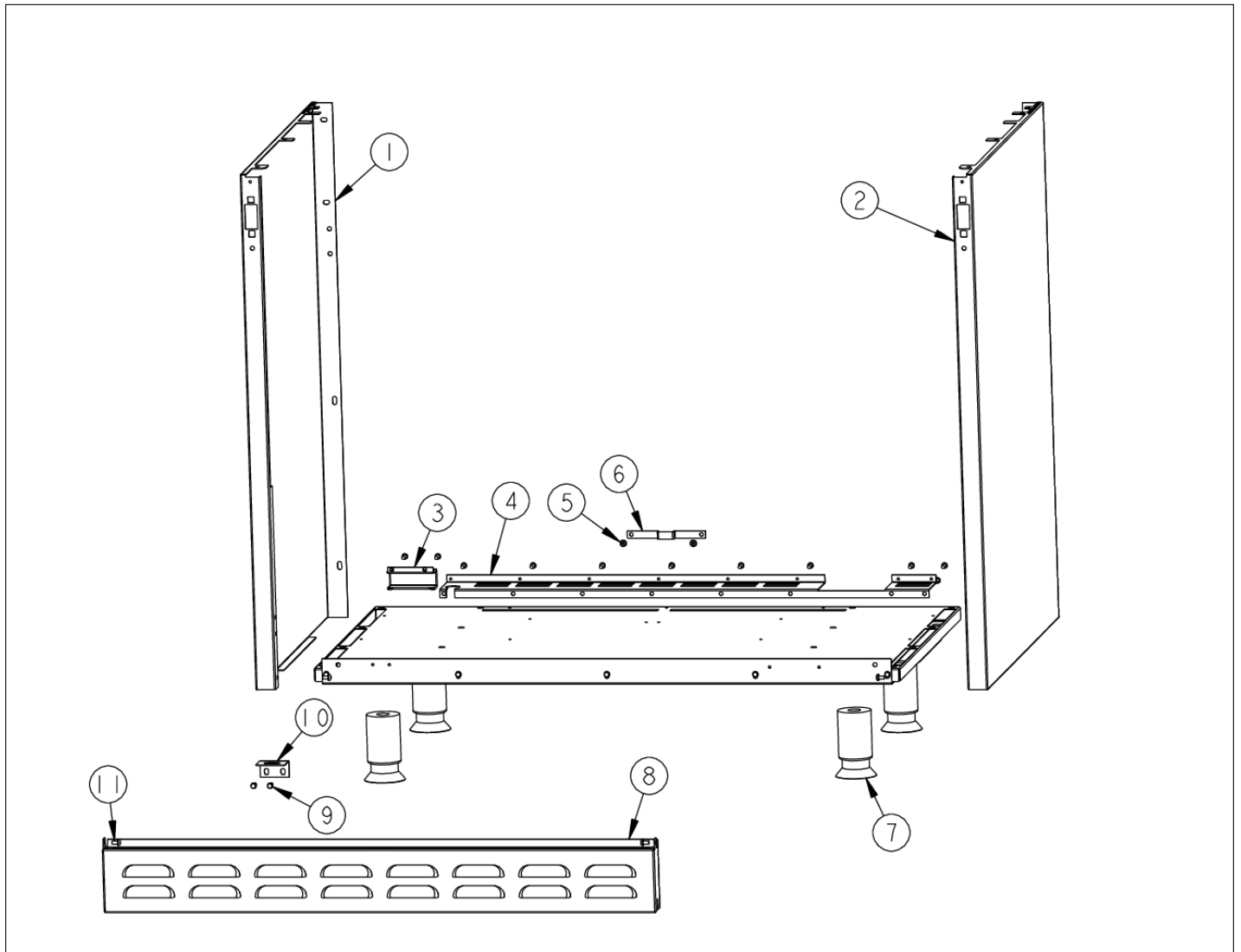


Item	Part No.	Name	Qty	Uom	NOTES
2	C90010179AL	SIDE PANEL RH *AL*	1	EA	NO LONGER AVAILABLE, Not available online / Call for pricing and availability
2	C90010179BK	SIDE PANEL RH *BK*	1	EA	NO LONGER AVAILABLE
2	C90010179BT	SIDE PANEL RH *BT*	1	EA	NO LONGER AVAILABLE, Not available online / Call for pricing and availability
2	C90010179BU	SIDE PANEL RH *BU*	1	EA	Not available online / Call for pricing and availability
2	C90010179CB	SIDE PANEL RH *CB*	1	EA	NO LONGER AVAILABLE
2	C90010179EP	SIDE PANEL RH *EP*	1	EA	NO LONGER AVAILABLE, Not available online / Call for pricing and availability
2	C90010179FG	SIDE PANEL RH *FG*	1	EA	NO LONGER AVAILABLE, Not available online / Call for pricing and availability
2	C90010179GG	SIDE PANEL RH *GG*	1	EA	NO LONGER AVAILABLE, Not available online / Call for pricing and availability
2	C90010179LE	SIDE PANEL RH *LE*	1	EA	NO LONGER AVAILABLE, Not available online / Call for pricing and availability
2	C90010179MJ	SIDE PANEL RH *MJ*	1	EA	
2	C90010179SG	SIDE PANEL RH *SG*	1	EA	NO LONGER AVAILABLE, Not available online / Call for pricing and availability
2	C90010179VB	SIDE PANEL RH *VB*	1	EA	NO LONGER AVAILABLE, Not available online / Call for pricing and availability
2	C90010179WH	SIDE PANEL RH *WH*	1	EA	
3	A2004481	WIRE CHANNEL RH (VGSC306)	1	EA	NO LONGER AVAILABLE





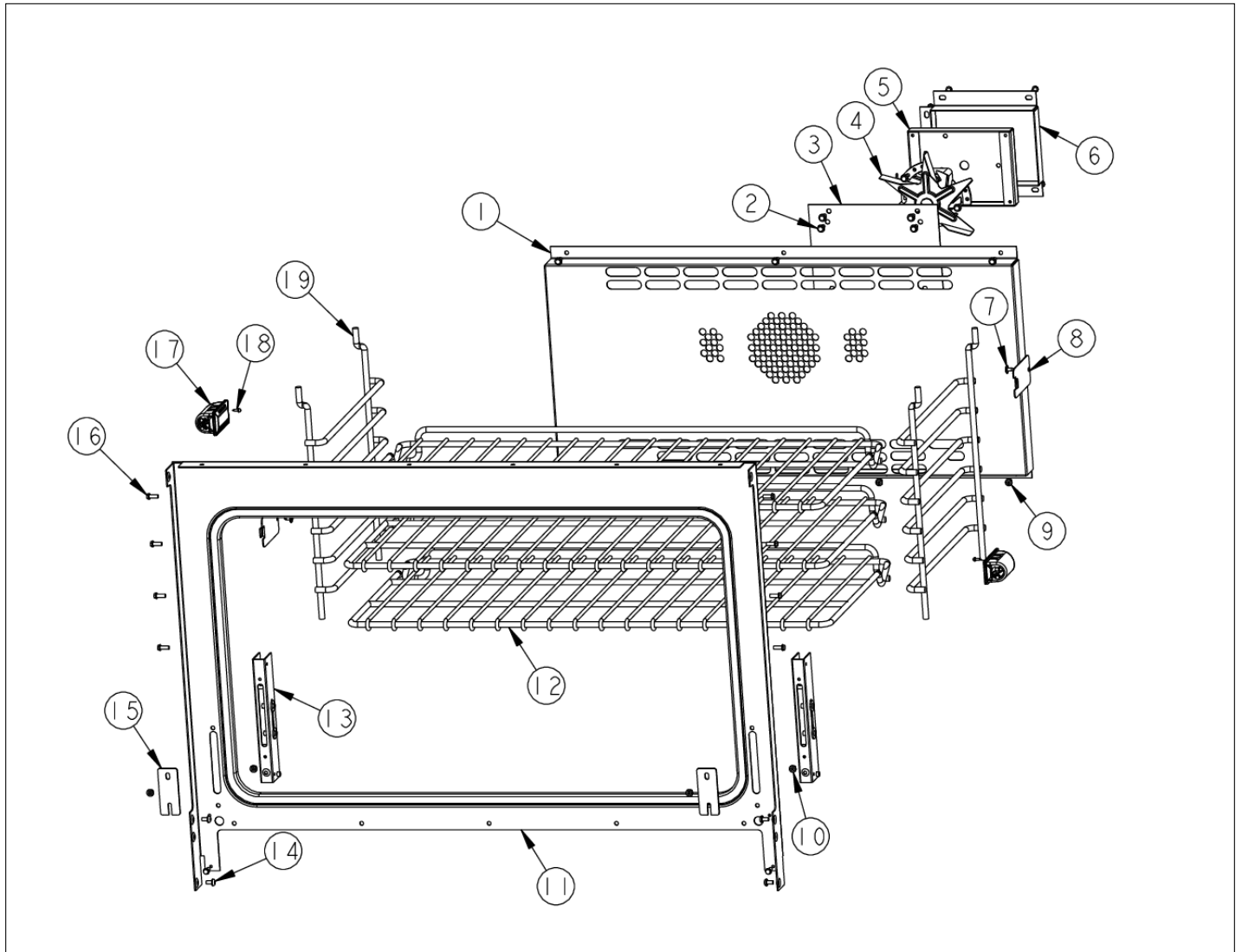
Item	Part No.	Name	Qty	Uom	NOTES
4	A2005523	FLUE HEAT SHIELD	1	EA	NO LONGER AVAILABLE, Not available online / Call for pricing and availability
5	M0210443	SCREW-E SM VM0210443	1	EA	
6	A2004428	REAR BOTTOM BRCKT (VGSC306)	1	EA	
7	PC030017	4" LEG ASSY	1	EA	
8	B2001504	LWR ACC PNL - RPLCS B2001977	1	EA	
8	C9001504AL	LWR ACC PNL - RPLCS C9001977AL	1	EA	NO LONGER AVAILABLE
8	C9001504BK	LWR ACC PNL - RPLCS C9001977BK	1	EA	
8	C9001504BT	LWR ACC PNL - RPLCS C9001977BT	1	EA	NO LONGER AVAILABLE, Not available online / Call for pricing and availability
8	C9001504BU	LWR ACC PNL - RPLCS C9001977BU	1	EA	Not available online / Call for pricing and availability
8	C9001504CB	LWR ACC PNL - RPCLS C9001977CB	1	EA	NO LONGER AVAILABLE, Not available online / Call for pricing and availability
8	C9001504EP	LWR ACC PNL - RPLCS C9001977EP	1	EA	NO LONGER AVAILABLE
8	C9001504FG	LWR ACC PNL - RPLCS C9001977FG	1	EA	NO LONGER AVAILABLE
8	C9001504GG	LWR ACC PNL - RPLCS C9001977GG	1	EA	NO LONGER AVAILABLE, Not available online / Call for pricing and availability
8	C9001504LE	LWR ACC PNL - RPLCS C9001977LE	1	EA	NO LONGER AVAILABLE, Not available online / Call for pricing and availability
8	C9001504MJ	LWR ACC PNL - RPLCS C9001977MJ	1	EA	Not available online / Call for pricing and availability





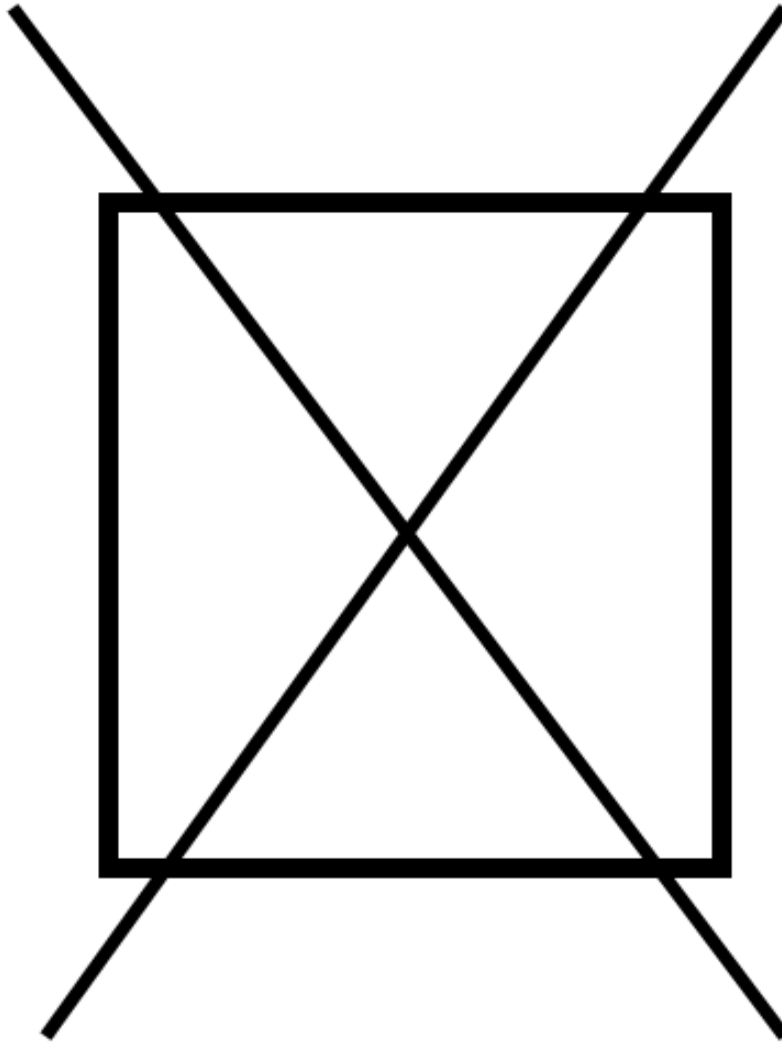
Item	Part No.	Name	Qty	Uom	NOTES
8	C9001504SG	LWR ACC PNL - RPCLS C9001977SG	1	EA	NO LONGER AVAILABLE, Not available online / Call for pricing and availability
8	C9001504VB	LWR ACC PNL - RPLCS C9001977VB	1	EA	NO LONGER AVAILABLE
8	C9001504WH	LWR ACC PNL - RPLCS C9001977WH	1	EA	
9	PD020060	10 X 1/2" (5/16)HEX WSHER HD.(T)A	1	EA	
10	A20012922	DISCONNECT POWER BRACKET	1	EA	NO LONGER AVAILABLE, Not available online / Call for pricing and availability
11	PD020004	10X3/8PH.HD.TYPE 25 REPL PD040125	1	EA	

MAIN OVEN CAVITY



Item	Part No.	Name	Qty	Uom	NOTES
1	G9105513	CONVECTION FAN COVER ASSY (VGSC366)	1	EA	
2	PD020048	NO.10 X 1/2 TEK 410 SS SCREW	1	EA	
3	A1002596	CONVECTION FAN COVER (VDSC)	1	EA	
4	PE050005	CONVECTION FAN ASSY	1	EA	
5	A2002595	CONVECTION FAN BOX (VDSC)	1	EA	
6	A2008467	INSULATION SHIELD	1	EA	
7	PD020063	SCREW-#8(A) X 3/8"PH WFR HD/BK OXID	1	EA	
8	E91012614	LIGHT HOLE COVER	1	EA	
9	M0210443	SCREW-E SM VM0210443	1	EA	
10	003083-000	#8-18 x 1/2" PHIL FLAT TOP TRUSS HD AB SCREW	1	EA	
11	001307-000	OVEN FRONT FRAME ASSY PORC - NLA	1	EA	NO LONGER AVAILABLE
12	PB060045	OVEN RK VDSC36 REPL PB060020	1	EA	
13	PC020295	HINGE RECEIVER ASSEMBLY	1	EA	
14	PD020004	10X3/8PH.HD.TYPE 25 REPL PD040125	1	EA	
15	B1007913	HINGE CLIP (DESIGNER TIME PIECE)	1	EA	
16	PD020060	10 X 1/2" (5/16)HEX WSHER HD.(T)A	1	EA	
17	005311-000	LAMP, OVEN, 120V/25W	1	EA	
18	PD020013	TYPE "AB" #6 X 3/8 PH PAN HD. SMS	1	EA	
19	PB060030	RACK SUPT REPL PB060010	1	EA	

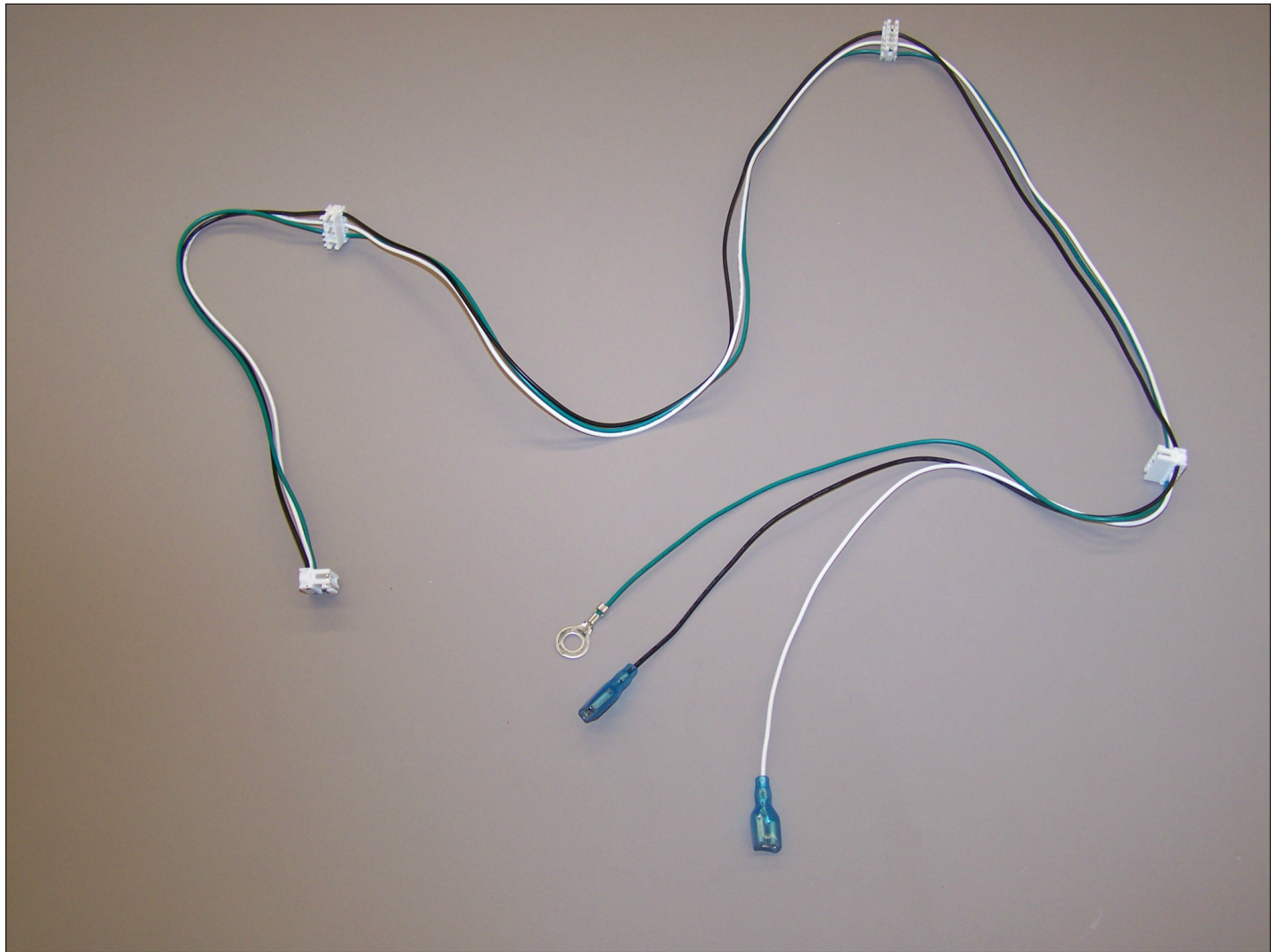
NON
ILLUSTRATED PART





Item	Part No.	Name	Qty	Uom	NOTES
1	PE070245	LIGHT EXTENTION HARNESS (VGSC306)	1	EA	
Not Shown	NOTE	(MAY NOT BE USED ON ALL UNITS)		EA	

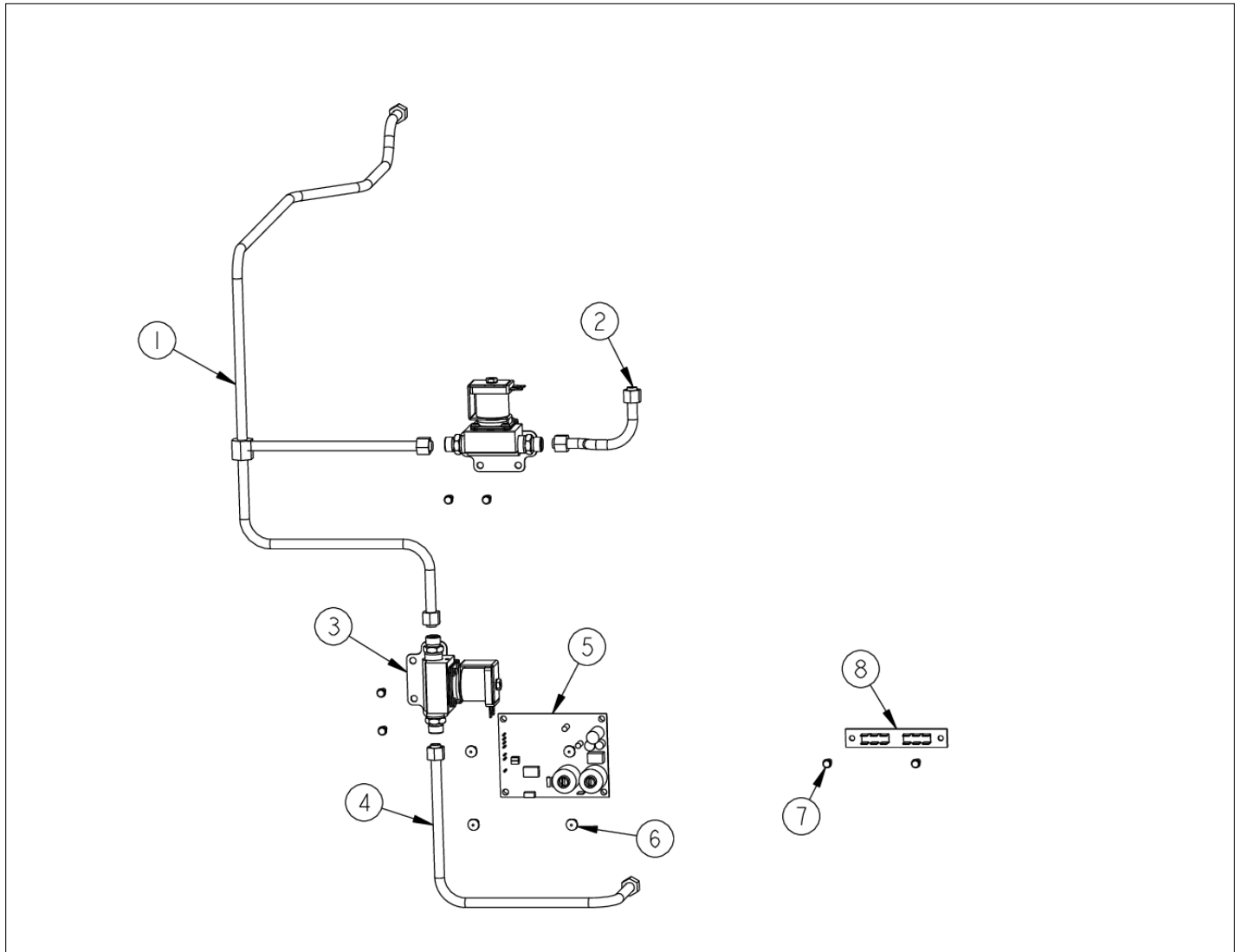
PE070889 IRIS HARNESS





Item	Part No.	Name	Qty	Uom	NOTES
1	PE070889	IRIS HARNESS (24"/30")	1	EA	

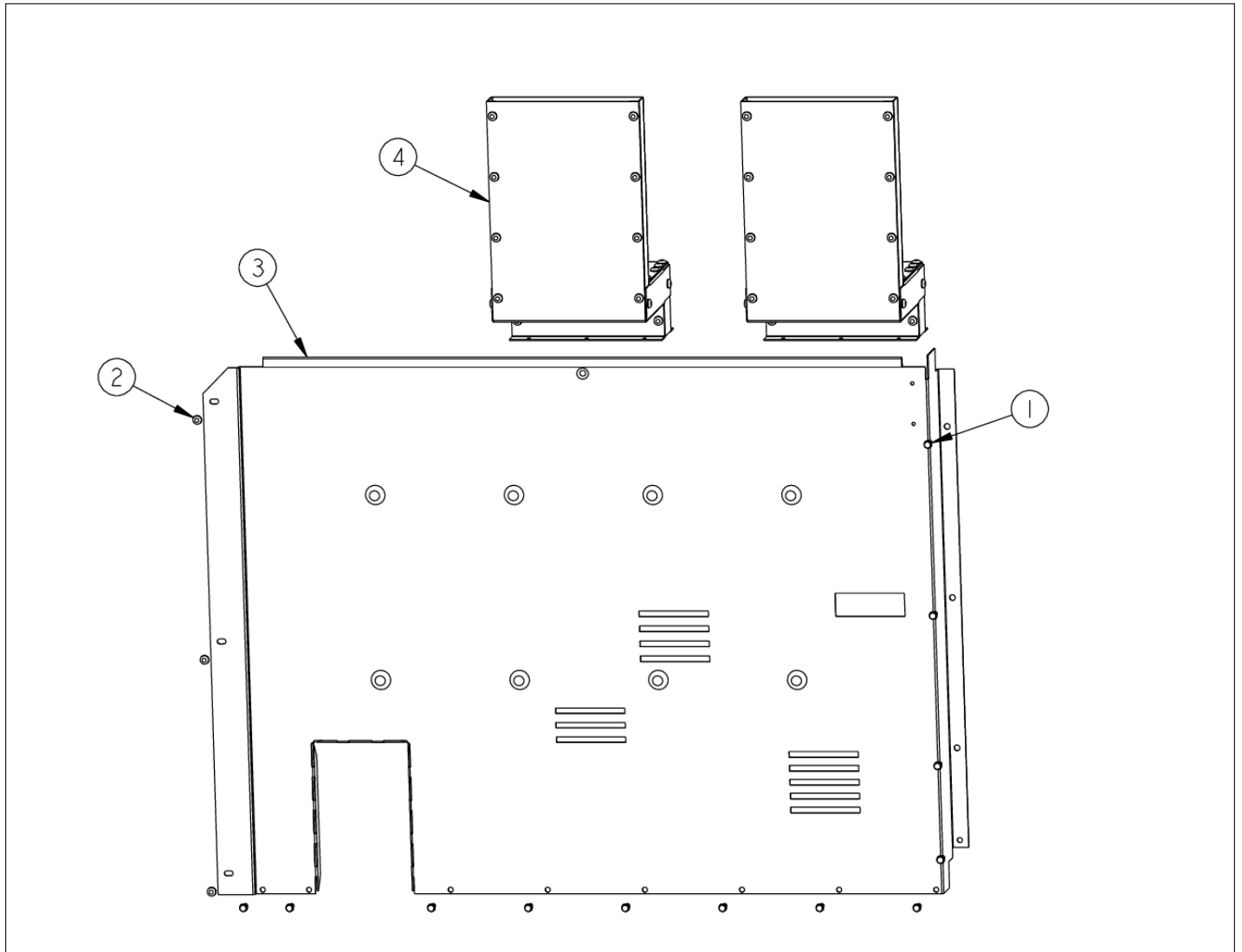
REAR ELECTRONICS AND GAS FLOW





Item	Part No.	Name	Qty	Uom	NOTES
1	001538-000	3/8 ALUM MANIFOLD TUBING	1	EA	
2	000921-000	3/8" ALUM TUBING ELBOW	1	EA	
3	003226-000	FJT VALVE - NO NUT/FERRELL	1	EA	
4	000919-000	3/8" ALUM TUBING	1	EA	
5	PA020056	NLA - See TC-0063D-SP for kit number (see comments)	1	EA	
6	PD020014	10X3/4 PH TR HD SMS	1	EA	
7	PD020060	10 X 1/2" (5/16)HEX WSHER HD.(T)A	1	EA	
8	PE050001	TERMINAL BOARD	1	EA	

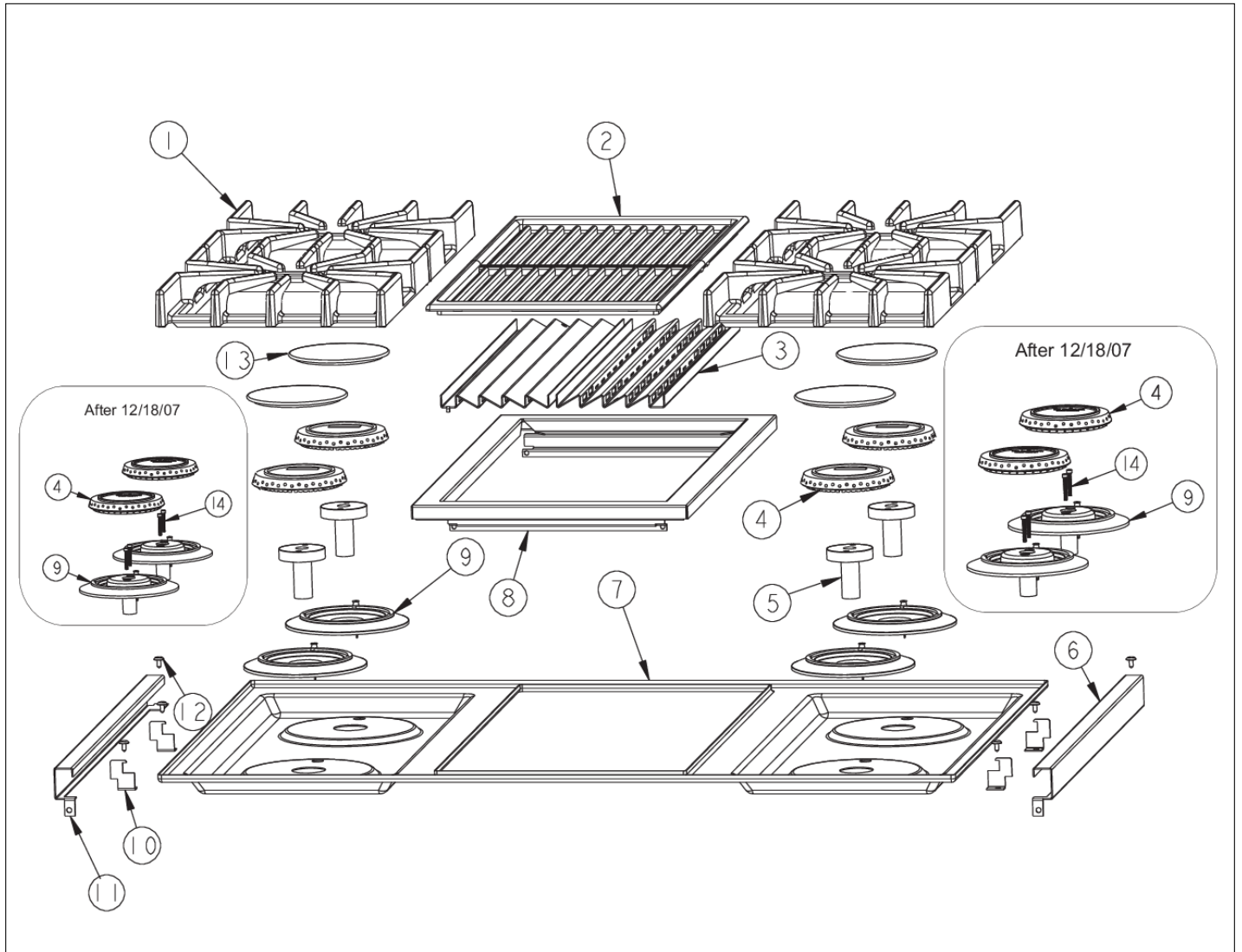
REAR SHEET METAL





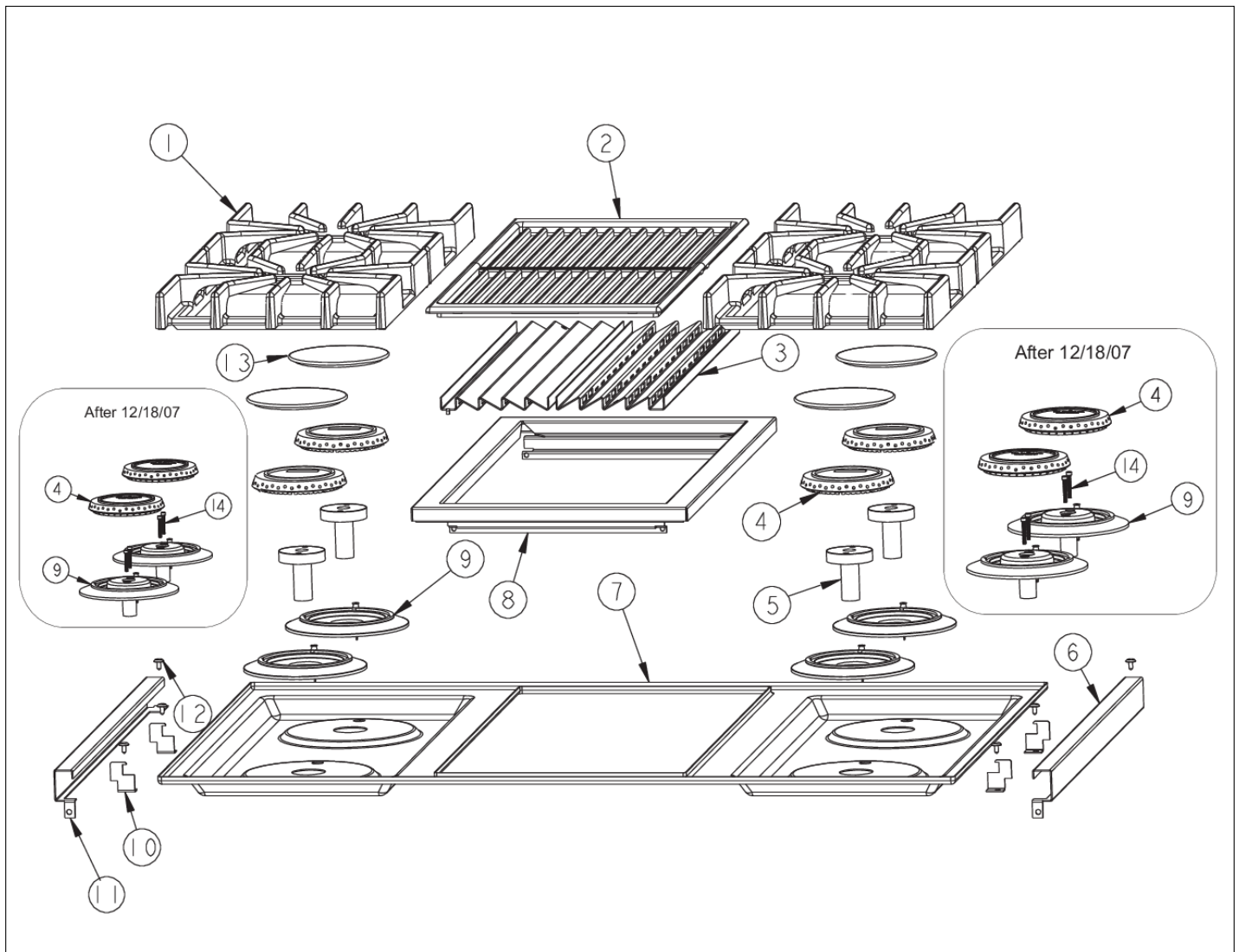
Item	Part No.	Name	Qty	Uom	NOTES
1	PD020060	10 X 1/2" (5/16)HEX WSHER HD.(T)A	1	EA	
2	PD020004	10X3/8PH.HD.TYPE 25 REPL PD040125	1	EA	
3	A2005522	OUTSIDE BACK (VGSC366)	1	EA	Not available online / Call for pricing and availability
4	000967-000	FLUE ASSY	1	EA	

SURFACE COOKING AREA





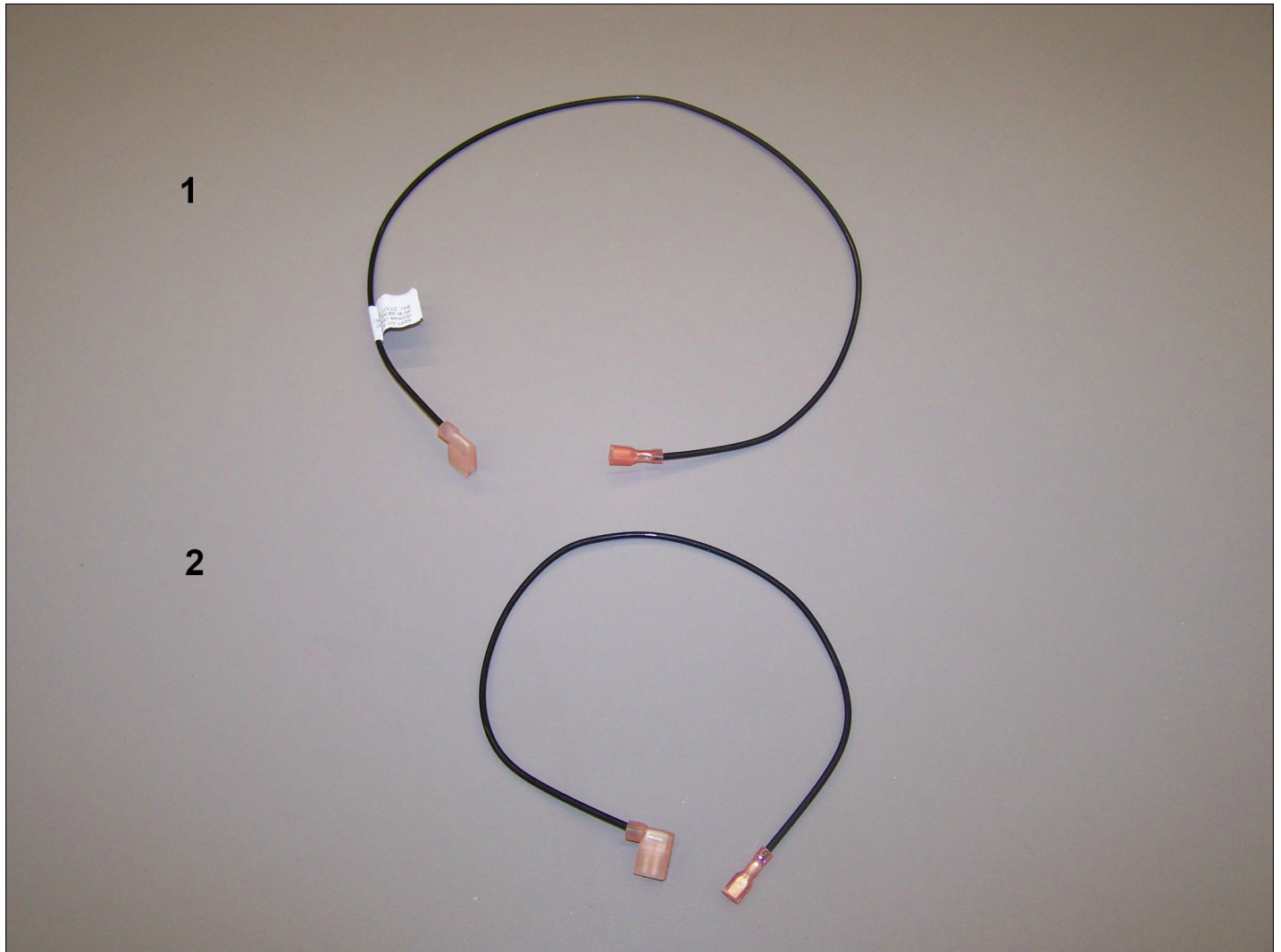
Item	Part No.	Name	Qty	Uom	NOTES
1	PA060054	Burner Grate - BK	1	EA	
2	PA060058	GRILL GRATE - MATT *BK* RE PA060028	1	EA	
3	E9101130BK	GRILL SMOKE GENERATOR	1	EA	
4	PB050063	Burner Head	1	EA	
Not Shown	NOTE	(Before 12/18/07)		EA	
NI	018200-000	ADJUSTED SEALED BURNER HEAD	1	EA	
Not Shown	NOTE	(After 12/18/07)		EA	
5	PA010100	Burner Venturi	1	EA	
Not Shown	NOTE	(Before 12/18/07)		EA	
6	B20012923	Side Trim - RH (SS)	1	EA	
6	C93012923BR	Side Trim - RH (BR)	1	EA	
7	E9108438BK	MAIN TOP (VGRT4G/Q) *BK*	1	EA	
7	E9108438WH	Main Top Assembly (4G / 4Q) - WH	1	EA	Not available online / Call for pricing and availability
8	G9109811BK	GRILL GRATE SUPPORT - BK	1	EA	Not available online / Call for pricing and availability
8	G9109811WH	GRILL SUPT ASSY *WH*	1	EA	NO LONGER AVAILABLE, Not available online / Call for pricing and availability
9	PB050081	BURNER BASE ASM	1	EA	
Not Shown	NOTE	(INCLUDES IGNITER) - BEFORE 12/18/07		EA	
NI	003322-040	SEALED BURNER BASE, TURNED FINISH	1	EA	
Not Shown	NOTE	(INCLUDES IGNITER) - AFTER 12/18/07		EA	
10	A2007858	SIDE TRIM BRKT	1	EA	
11	B20012924	Side Trim - LH (SS)	1	EA	
11	C93012924BR	Side Trim - LH (BR)	1	EA	
12	PD020032	SRW-8(A)X3/8"PH.WFR HD 7/16DIA*NICL	1	EA	





Item	Part No.	Name	Qty	Uom	NOTES
13	PA080083	D BURNER CAP *MATTE BLACK*	1	EA	
14	009197-000	#6-32 X 5/8 18-8 SS NC SOC CAP	1	EA	

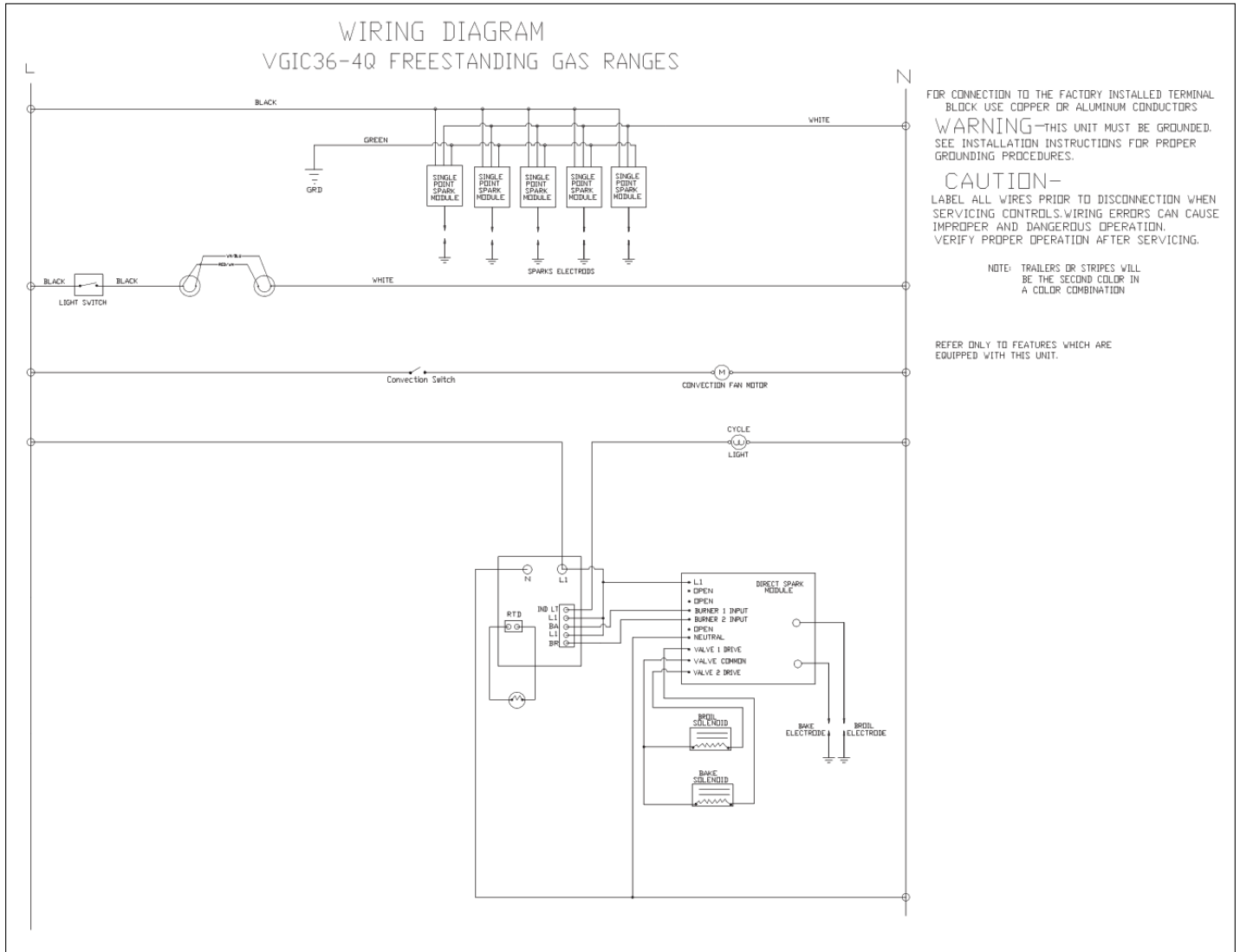
TOP BURNER IGNITER WIRES





Item	Part No.	Name	Qty	Uom	NOTES
1	006766-000	IRIS IGNITOR WIRE, BACK BURNER	1	EA	
2	000647-000	IRIS IGNITOR WIRE, FRONT BURNER	1	EA	

WIRING DIAGRAM





Appendix A:Pages Index

0003252-000 VGIC36-4Q HARNESS 1
000649-000 GRILL IGNITER WIRE 2
001754-000 POWER DISCONNECT HAR 3
001914-000 BROIL IGNITER WIRE 4
BAKE BURNER AREA 5
BAKE IGNITER WIRE 6
BROILER AREA 7
BURNER BOX INTERIOR 8
CONTROL AREA 9
DOOR ASSEMBLY 10
DRIP TRAY 11
G4008493 SUPPLY CORD 12
GRILL SUBASSEMBLY 13
LOWER UNIT AREA 14
MAIN OVEN CAVITY 15
PE070245 LIGHT EXTENSION HARNES 16
PE070889 IRIS HARNESS 17
REAR ELECTRONICS AND GAS FLOW 18
REAR SHEET METAL 19
SURFACE COOKING AREA 20
TOP BURNER IGNITER WIRES 21
WIRING DIAGRAM 22



Appendix B:Parts Index

000075-000	10	001307-000	15
000090-000	10	001348-000	7
000268-000	10	001394-042	8
000447-000	9	001394-043	8
000447-006	9	001396-000	8
000594-000	10	001398-000	10
000647-000	21	001399-000	10
000649-000	2	001538-000	18
000919-000	18	001754-000	3
000921-000	7, 18	001914-000	4
000932-000	10	002158-000	9
000957-000	10	002561-000	10
000957-002	10	002562-000	10
000957-003	10	002884-000	9
000957-004	10	002888-000	8
000957-005	10	002889-000	8
000957-006	10	003083-000	15
000957-007	10	003143-000	6
000957-008	10	003226-000	18
000957-009	10	003252-000	1
000957-010	10	003322-040	20
000957-011	10	003517-000	9
000957-012	10	003536-000	9
000957-013	10	005311-000	15
000957-014	10	005990-000	8
000957-100	10	006200-000	5
000957-102	10	006766-000	21
000957-103	10	007147-000	9
000957-104	10	009197-000	20
000957-105	10	013213-000	9
000957-106	10	018200-000	20
000957-107	10	050172-000	9
000957-108	10	068458-000	5
000957-109	10	A1001138	9
000957-110	10	A1002596	15
000957-111	10	A1007861	13
000957-112	10	A2000210	8
000957-113	10	A20010162	13
000957-114	10	A2001132	13
000967-000	19	A20012922	14
		A20015329	10



A2001631	13	C90010179MJ	14
A2001633	13	C90010179SG	14
A2001855	13	C90010179VB	14
A2001863	13	C90010179WH	14
A2002189	10	C90010180AL	14
A2002367	10	C90010180BK	14
A2002497	10	C90010180BT	14
A2002595	15	C90010180BU	14
A2004424	5	C90010180CB	14
A2004428	14	C90010180EP	14
A2004434	5	C90010180FG	14
A2004481	14	C90010180GG	14
A2005522	19	C90010180LE	14
A2005523	14	C90010180MJ	14
A2007858	20	C90010180SG	14
A2007863	13	C90010180VB	14
A2007865	8	C90010180WH	14
A2007871	13	C9001504AL	14
A2008467	15	C9001504BK	14
B1007913	15	C9001504BT	14
B20010163	13	C9001504BU	14
B20010179	14	C9001504CB	14
B20010180	14	C9001504EP	14
B20012923	20	C9001504FG	14
B20012924	20	C9001504GG	14
B2001448	7	C9001504LE	14
B2001504	14	C9001504MJ	14
B2002798	10	C9001504SG	14
B2004415	5	C9001504VB	14
B2005589	7	C9001504WH	14
B2009846	13	C9002798AL	10
B9202371	9	C9002798BK	10
C90010179AL	14	C9002798BT	10
C90010179BK	14	C9002798BU	10
C90010179BT	14	C9002798CB	10
C90010179BU	14	C9002798EP	10
C90010179CB	14	C9002798FG	10
C90010179EP	14	C9002798GG	10
C90010179FG	14	C9002798LE	10
C90010179GG	14	C9002798MJ	10
C90010179LE	14	C9002798SG	10



C9002798VB	10	PB040172	5
C9002798WH	10	PB040178	7
C93012923BR	20	PB040194	8
C93012924BR	20	PB040217	8
E9101130BK	20	PB050063	20
E91012614	15	PB050077	13
E9108438BK	20	PB050081	20
E9108438WH	20	PB060030	15
G30010455	11	PB060045	15
G30010696	11	PC020188	10
G30012657	13	PC020223	10
G3001876	7	PC020295	15
G3009151	9	PC030017	14
G4008493	12	PC040010	8
G9105513	15	PD010003	9
G9109811BK	20	PD010012	9
G9109811WH	20	PD010019	10
G93011459PVD	11	PD020002	10, 13
J2101749	11	PD020004	8, 9, 10, 13, 14, 15, 19
M0210443	14, 15	PD020013	15
PA010100	20	PD020014	18
PA010122	9	PD020032	10, 20
PA010123	9	PD020033	9
PA020028	13	PD020044	9
PA020056	18	PD020046	9
PA020058	9	PD020048	5, 7, 15
PA050086	8	PD020060	5, 7, 14, 15, 18, 19
PA060054	20	PD020063	15
PA060058	20	PD020076	8
PA070003	9	PD020079	11
PA080075	8	PD030005	9
PA080083	20	PD030006	9, 10
PB010206	9	PD030018	7
PB010207	9	PD040004	11
PB010209	9	PD040028	11
PB020025	13	PE010030	10
PB020192	8	PE010031	10
PB020193	8	PE010068	10
PB040040	7	PE010076	10
PB040170	5	PE010081	9
PB040171	7	PE010082	9



PE030001PVD	10
PE030006	10
PE030013PVD	10
PE050001	18
PE050005	15
PE050016	9
PE050017	9
PE050023	9
PE050024	9
PE050206	7
PE060030	10
PE060031	10
PE060039	10
PE060045	10
PE070245	16
PE070889	17
PK000007	8
PK000008	8