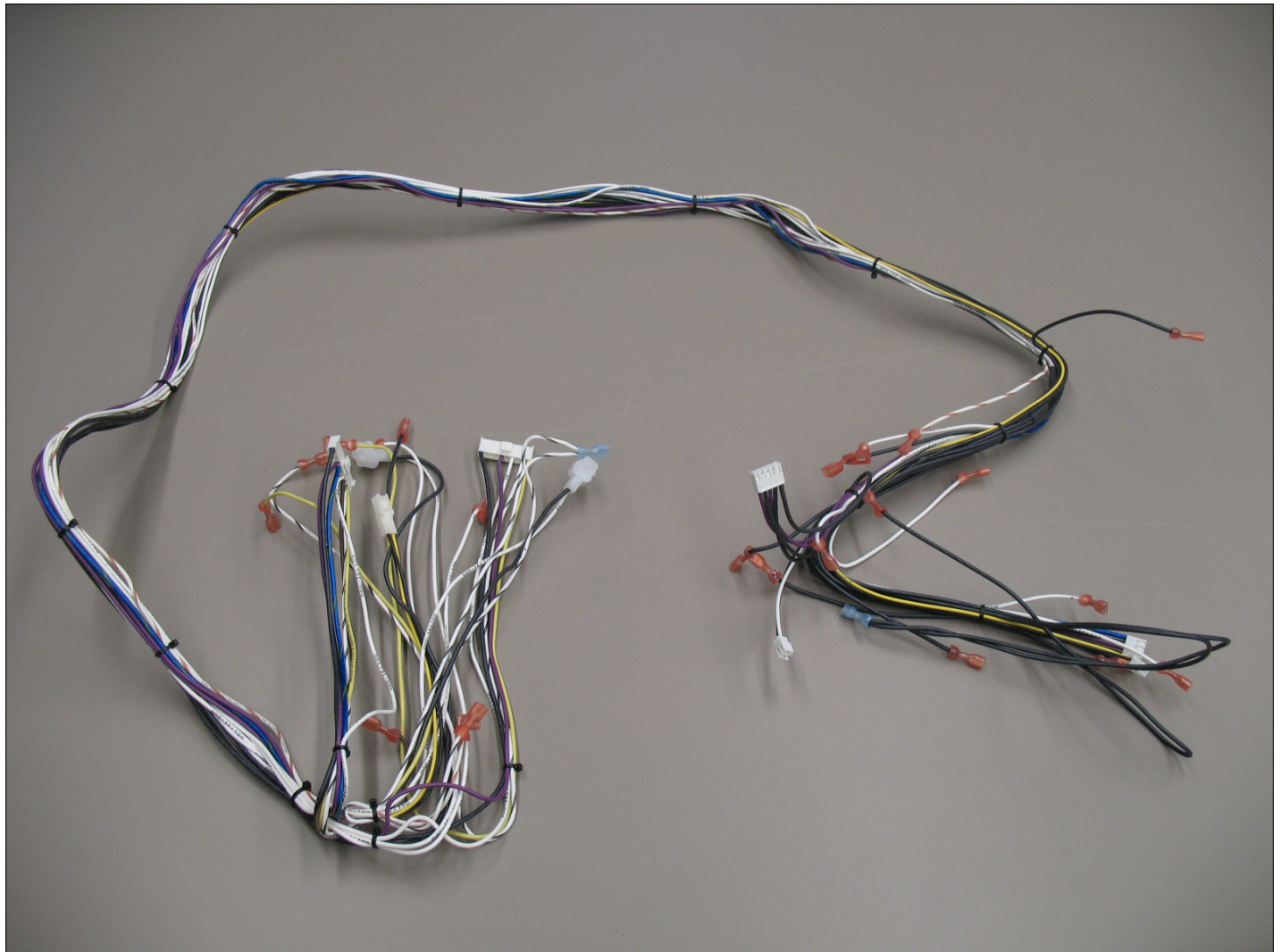


VGIC368-4G

001731-000 VGIC36-4G HARNESS	1
001754-000 POWER DISCONNECT HAR	2
BAKE BURNER AREA	3
BAKE IGNITER WIRE	4
BROIL IGNITER WIRE	5
BROILER AREA	6
BURNER BOX INTERIOR	7
CONTROL AREA	8
DOOR ASSEMBLY	9
DRIP TRAY	10
G4008493 SUPPLY CORD	11
GRIDDLE SUBASSEMBLY	12
LOWER UNIT AREA	13
MAIN OVEN CAVITY	14
PE070245 LIGHT EXT. HARNESS	15
PE070890 IRIS HARNESS	16
REAR ELECTRONICS AND GAS FLOW	17
REAR SHEET METAL	18
SURFACE COOKING AREA	19
TOP BURNER IGNITER WIRES	20
Appendix A:Pages Index	A
Appendix B:Parts Index	B

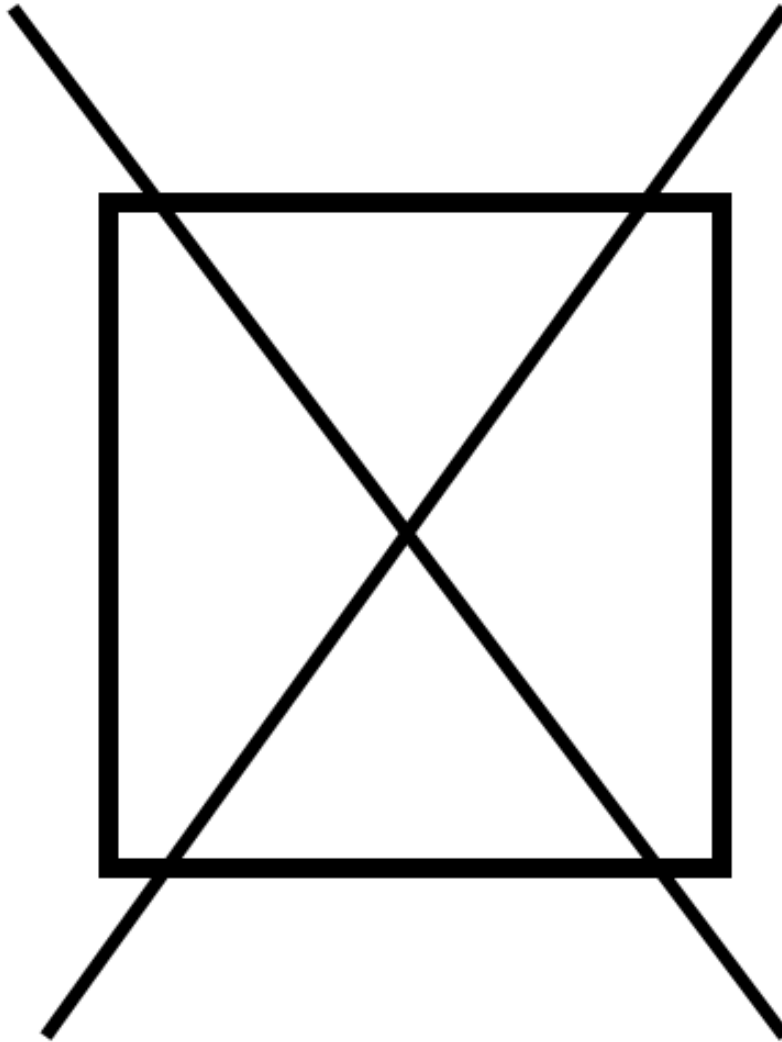
001731-000 VGIC36-4G HARNESS





Item	Part No.	Name	Qty	Uom	NOTES
1	001731-000	HARNESS VGIC364G	1	EA	

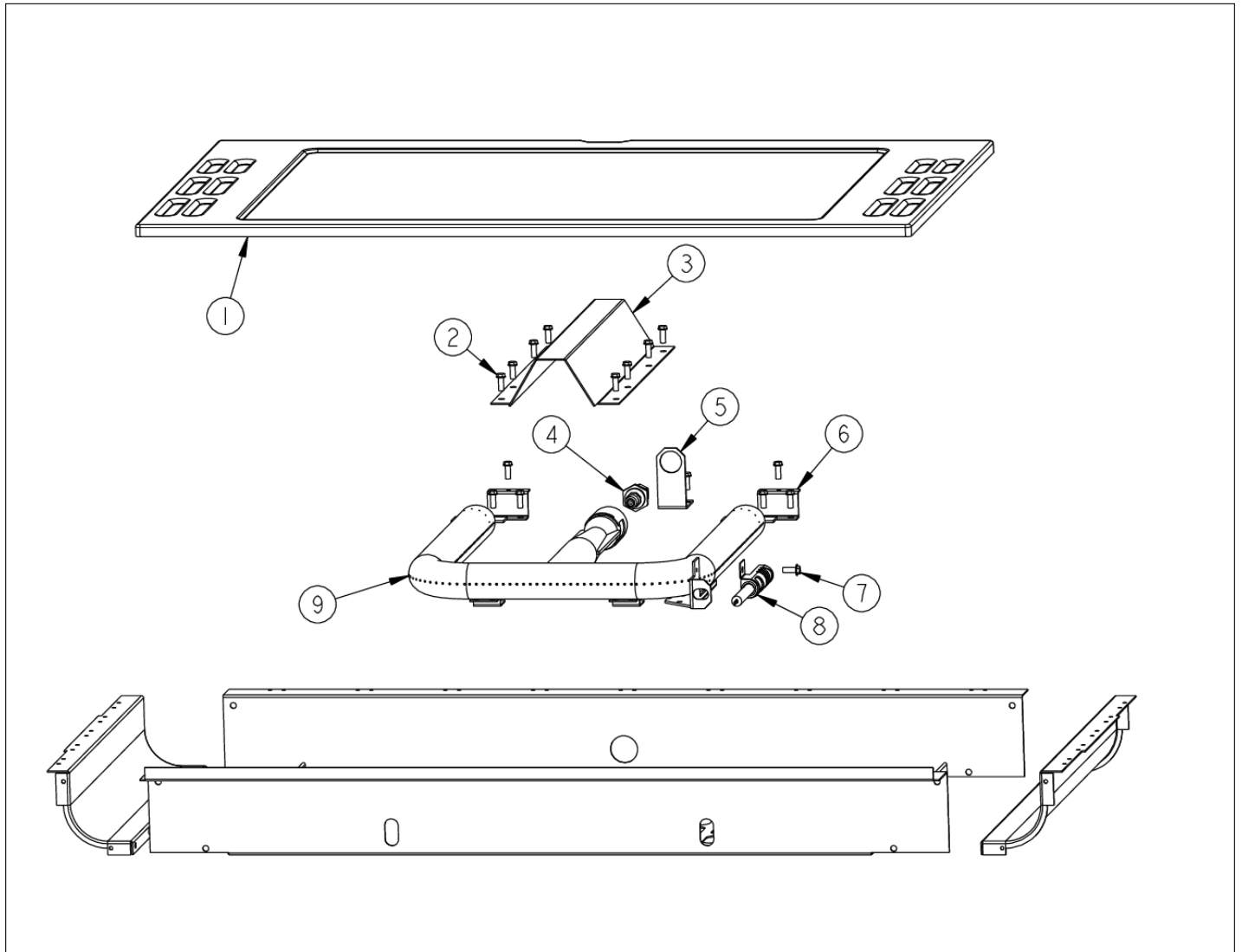
NON
ILLUSTRATED PART





Item	Part No.	Name	Qty	Uom	NOTES
1	001754-000	HARNESS POWER DISCONNECT	1	EA	

BAKE BURNER AREA

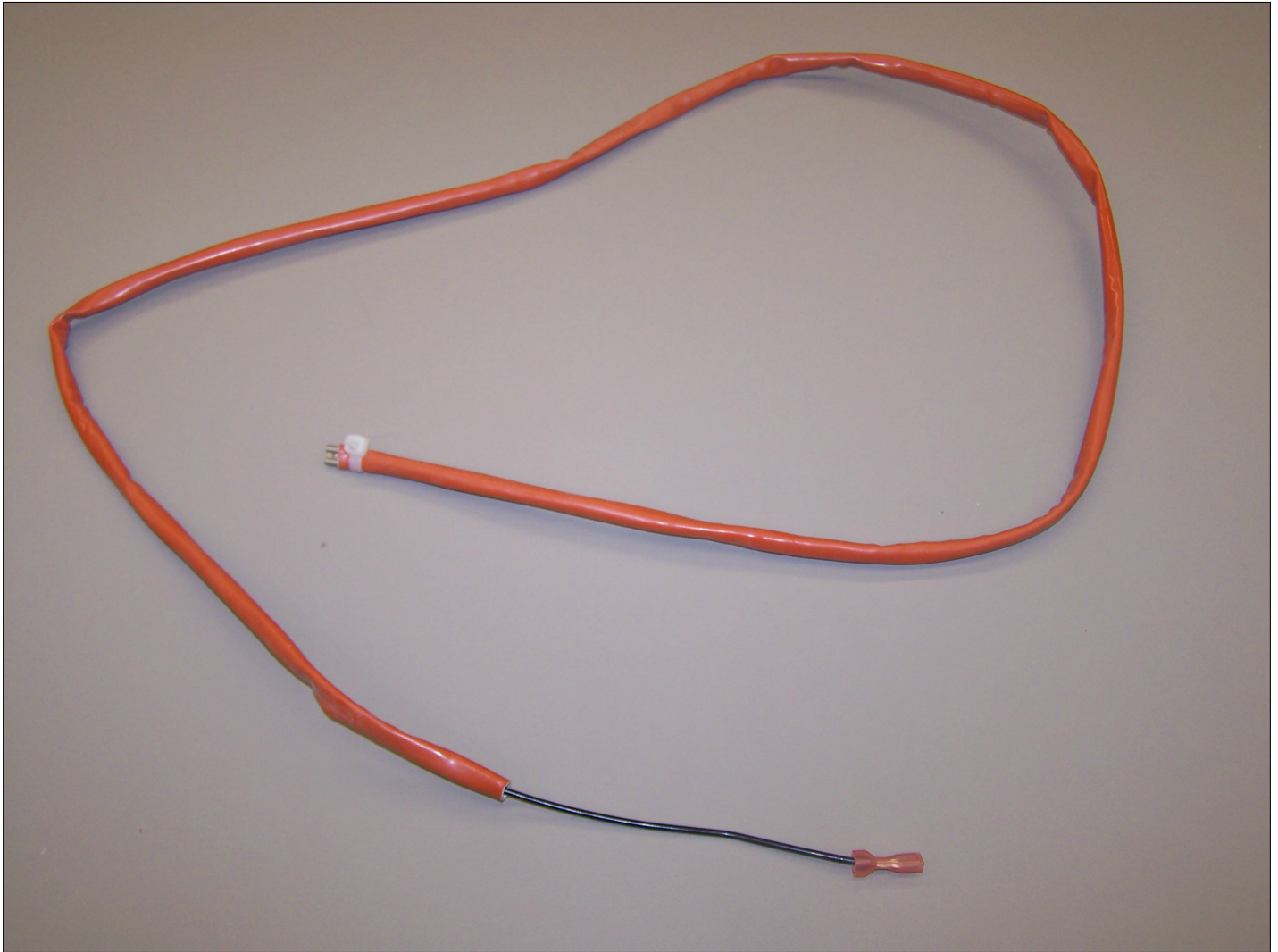




Item	Part No.	Name	Qty	Uom	NOTES
1	068458-000	ASM, BOTTOM, CAVITY, OVEN, GAS 36" GRAY		EA	
Not Shown	NOTE	(INCLUDES HEAT SHIELD)		EA	
2	PD020060	10 X 1/2" (5/16)HEX WSHER HD.(T)A		EA	
3	A2004424	BURNER COVER (VGSC306)		EA	
4	PB040172	3/8 X 3/8 ORIFICE FITTING (NAT)		EA	
5	A2004434	ORIFICE BRACKET (VGSC306)		EA	Not available online / Call for pricing and availability
6	B2004415	BURNER BRACKET (VGSC306)		EA	
7	PD020048	NO.10 X 1/2 TEK 410 SS SCREW		EA	
8	PB040170	BAKE IGNITION ELECTRODE		EA	
9	006200-000	U-SHAPE BAKE BURNER 10" NAT.		EA	



BAKE IGNITER WIRE

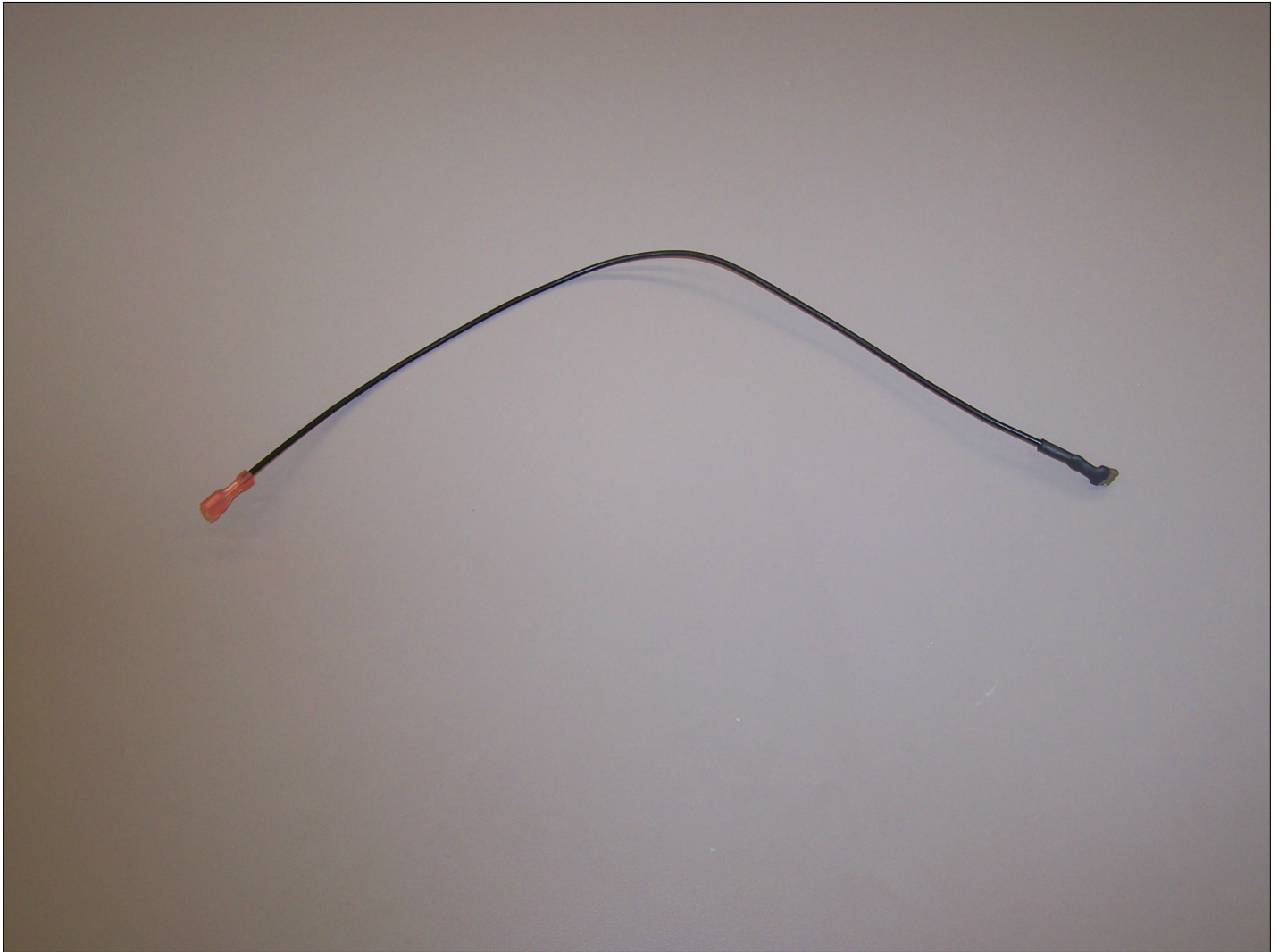




Item	Part No.	Name	Qty	Uom	NOTES
1	003143-000	BAKE IGNITOR WIRE 36"	1	EA	



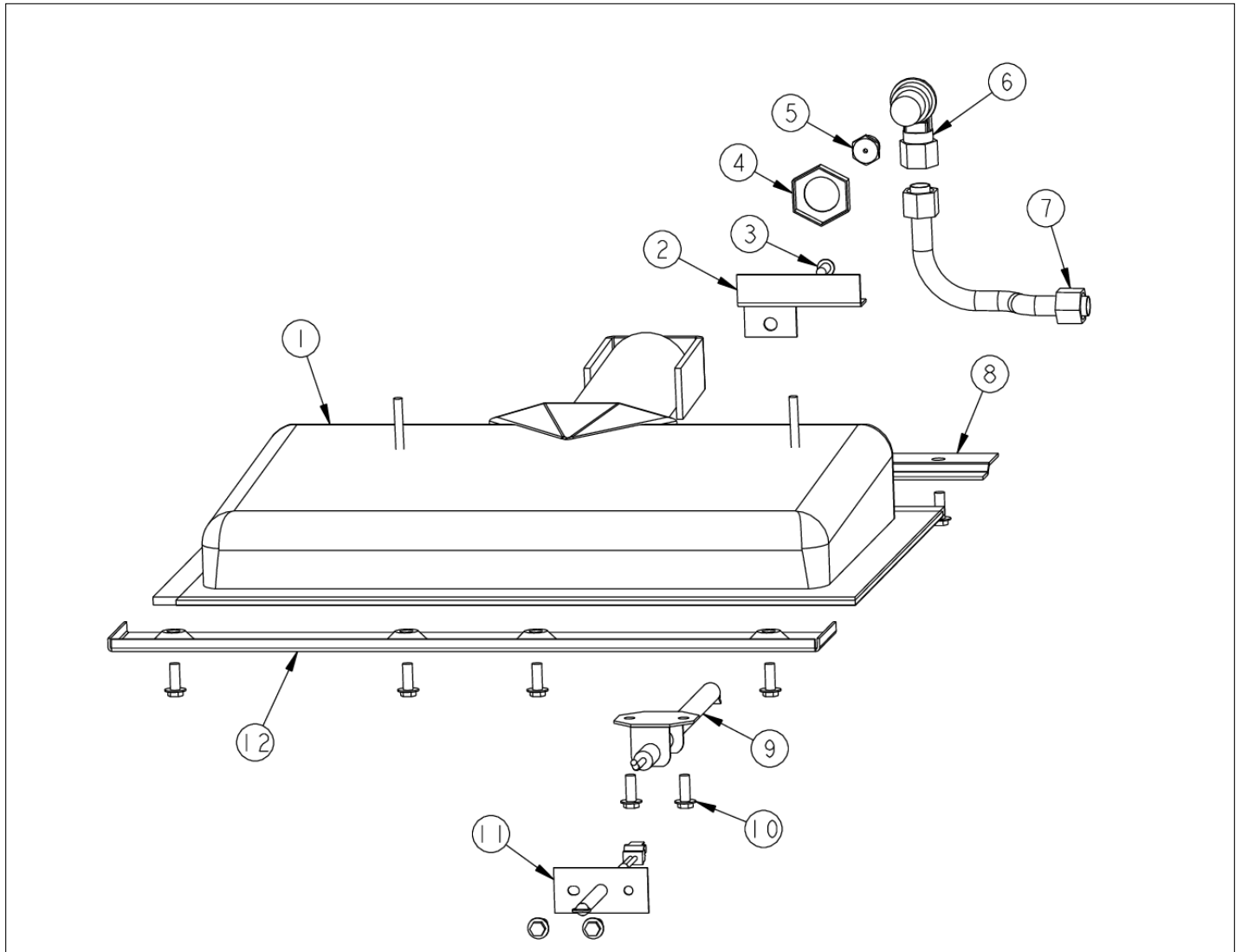
BROIL IGNITER WIRE





Item	Part No.	Name	Qty	Uom	NOTES
1	001914-000	WIRE, ASSY, BROIL IGNITOR	1	EA	

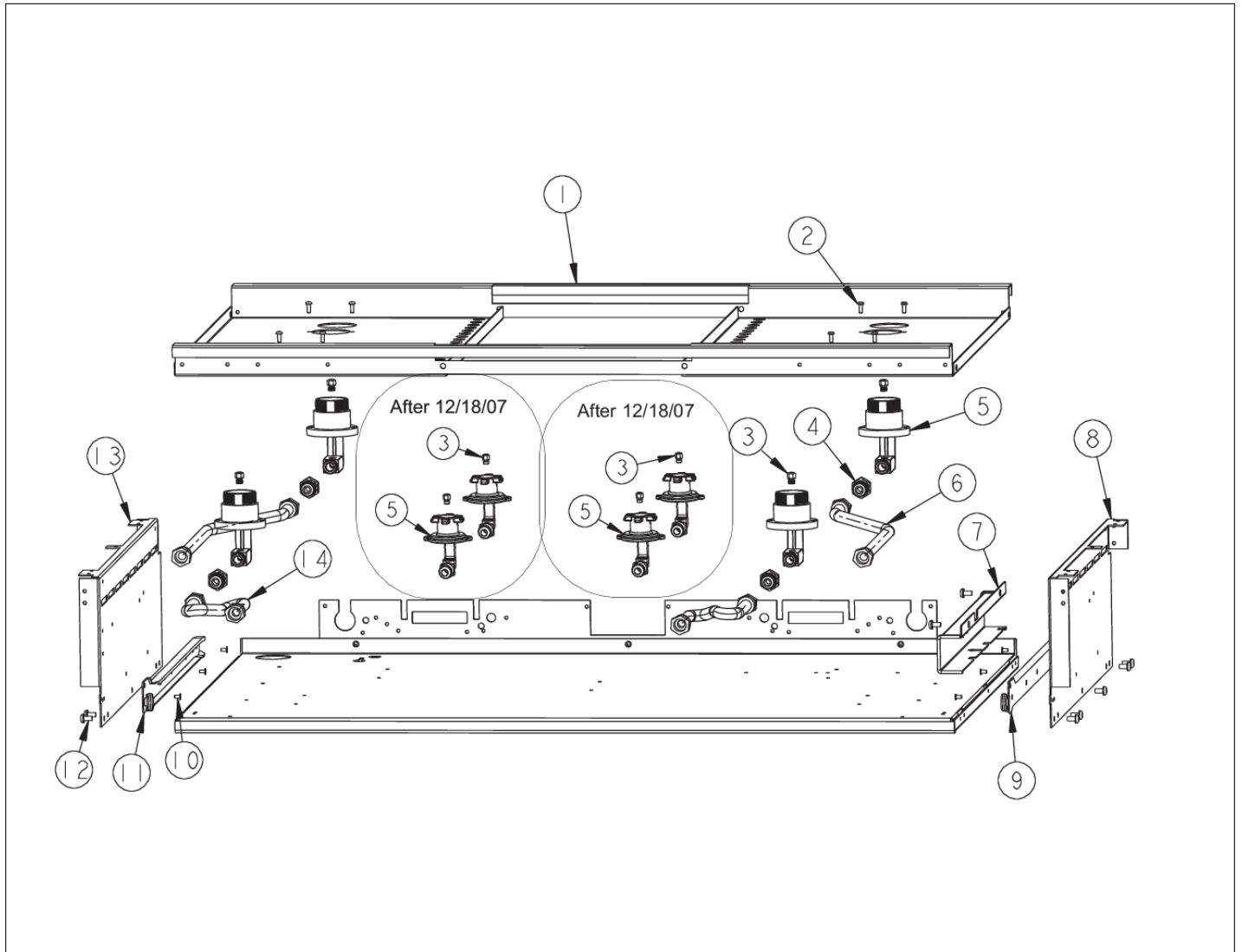
BROILER AREA





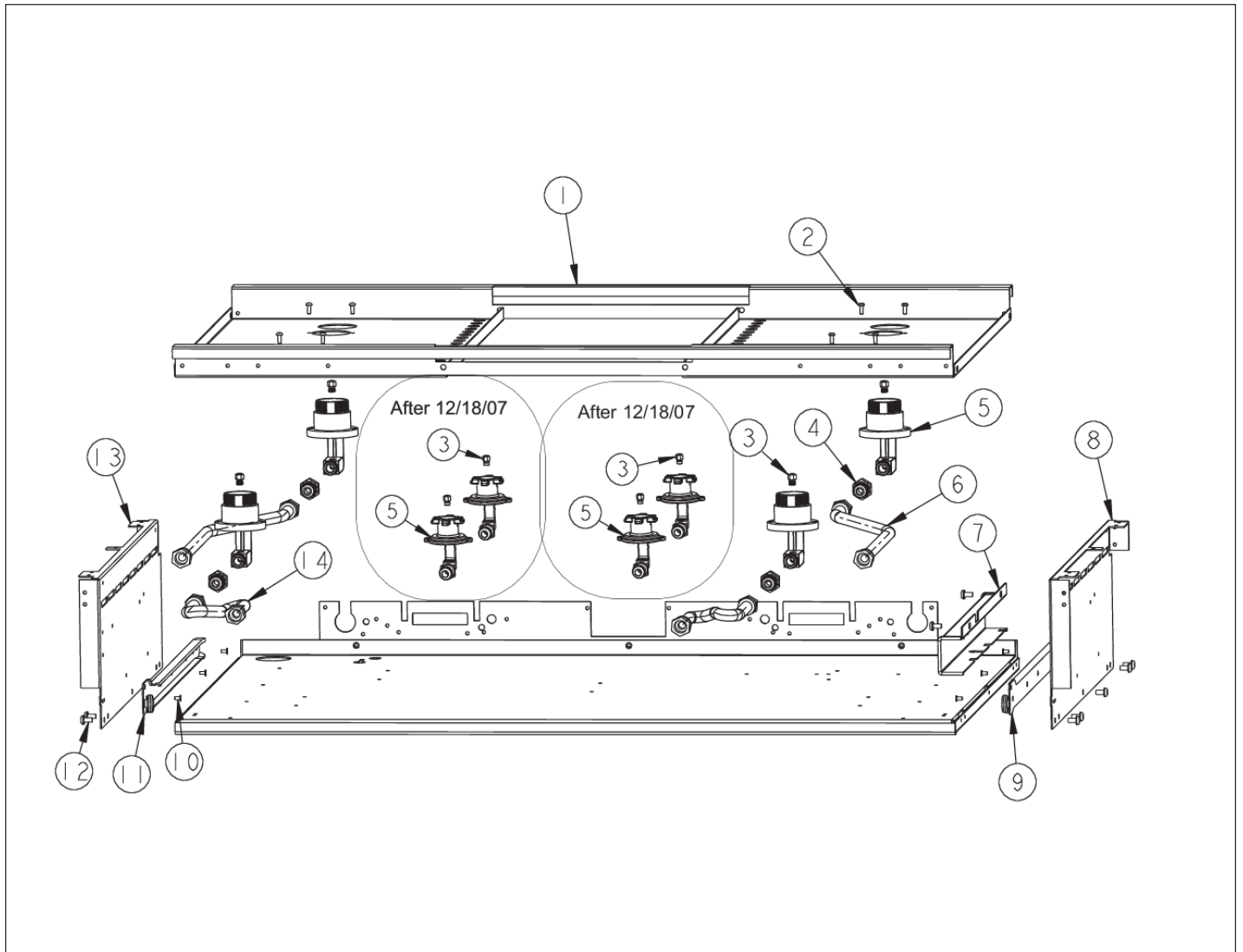
Item	Part No.	Name	Qty	Uom	NOTES
1	G3001876	IR BURNER ASSY (VGSC/RC) N/S	1	EA	
2	001348-000	BROIL INSULATION RETAINER	1	EA	NO LONGER AVAILABLE
3	PD020060	10 X 1/2" (5/16)HEX WSHER HD.(T)A	1	EA	
4	PD030018	PALNUT - 3/4-16	1	EA	
5	PB040040	ORIFICE-IR BURNER (VGSC)	1	EA	
6	PB040178	90 DEGREE ORIFICE FITTING (VGSC306)	1	EA	
7	000921-000	3/8" ALUM TUBING ELBOW	1	EA	
8	B2005589	REAR BROILER BRACKET	1	EA	Not available online / Call for pricing and availability
9	PB040171	BROIL IGNITION ELECTRODE	1	EA	
10	PD020048	NO.10 X 1/2 TEK 410 SS SCREW	1	EA	
11	PE050206	RTD THERMOSTAT PROBE	1	EA	
12	B2001448	IR BROIL SUPT (FRONT)	1	EA	

BURNER BOX INTERIOR





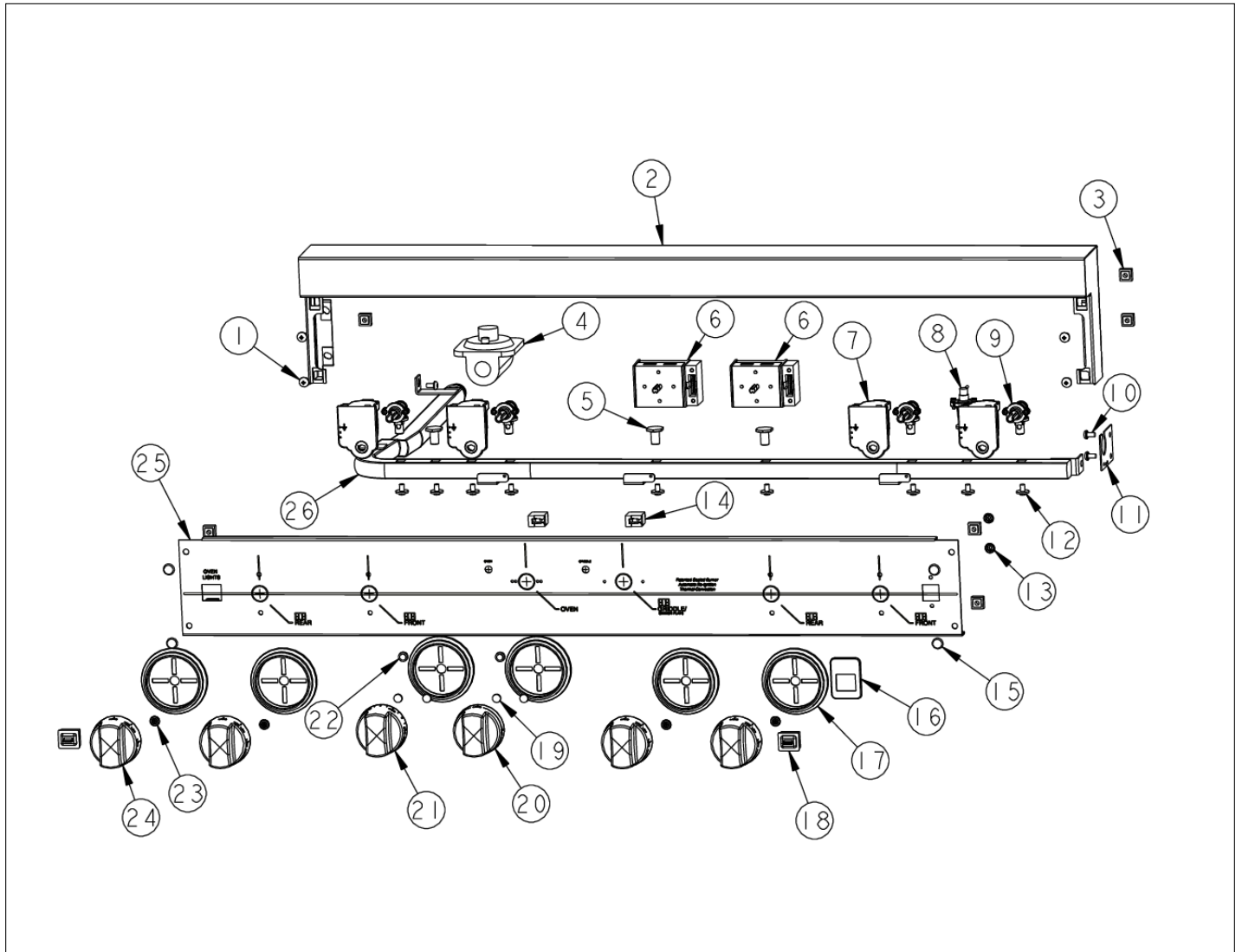
Item	Part No.	Name	Qty	Uom	NOTES
1	A2007865	Burner Support (4G / 4Q)	1	EA	Not available online / Call for pricing and availability
2	PD020076	6-32 X 3/8" PHILL PAN MS	1	EA	
3	PB040194	Orifice - Nat.	1	EA	
Not Shown	NOTE	(Before 12/18/07)		EA	
NI	001396-000	NATURAL GAS ORIFICE	1	EA	
Not Shown	NOTE	(After 12/18/07)		EA	
NI	PB040217	L.P. ORIFICE	1	EA	
Not Shown	NOTE	(Before 12/18/07)		EA	
NI	005990-000	1.10 MM LP BTU ORIFICE	1	EA	
Not Shown	NOTE	(After 12/18/07)		EA	
4	PA050086	5/8" MALE FLARE FITTING	1	EA	Not available online / Call for pricing and availability
5	PA080075	Burner Body	1	EA	
Not Shown	NOTE	(Before 12/18/07)		EA	
NI	001394-042	15000 BTU NAT JETHOLDER	1	EA	
Not Shown	NOTE	(After 12/18/07)		EA	
NI	001394-043	13500 BTU LP JETHOLDER	1	EA	
Not Shown	NOTE	(After 12/18/07)		EA	
6	PB020193	16" FLEX TUBING W/CONNECTORS	1	EA	
7	A2000210	WIRE CHANNEL	1	EA	NO LONGER AVAILABLE, Not available online / Call for pricing and availability
8	002888-000	BURNER BOX SIDE-RH	1	EA	NO LONGER AVAILABLE, Not available online / Call for pricing and availability
9	PK000008	Drip Tray Guide - RH	1	EA	NO LONGER AVAILABLE





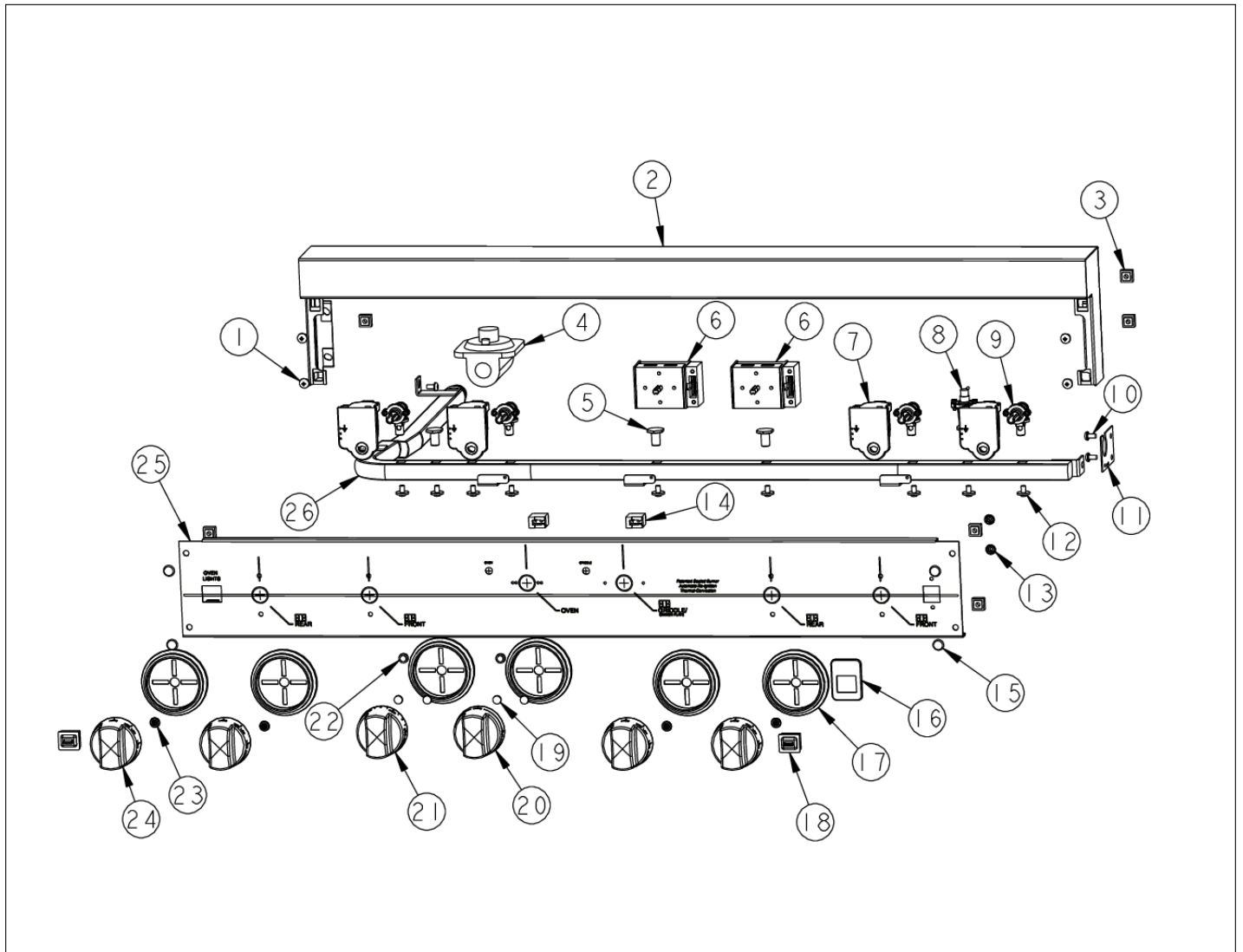
Item	Part No.	Name	Qty	Uom	NOTES
10	PC040010	POP RIVET (.063/GR -.125) GAMD42-A	1	EA	
11	PK000007	DRIP TRAY GUIDE - LH (VGRT)	1	EA	NO LONGER AVAILABLE
12	PD020004	10X3/8PH.HD.TYPE 25 REPL PD040125	1	EA	
13	002889-000	BURNER BOX SIDE-LH	1	EA	NO LONGER AVAILABLE, Not available online / Call for pricing and availability
14	PB020192	10" FLEX TUBING W/CONNECTORS	1	EA	

CONTROL AREA





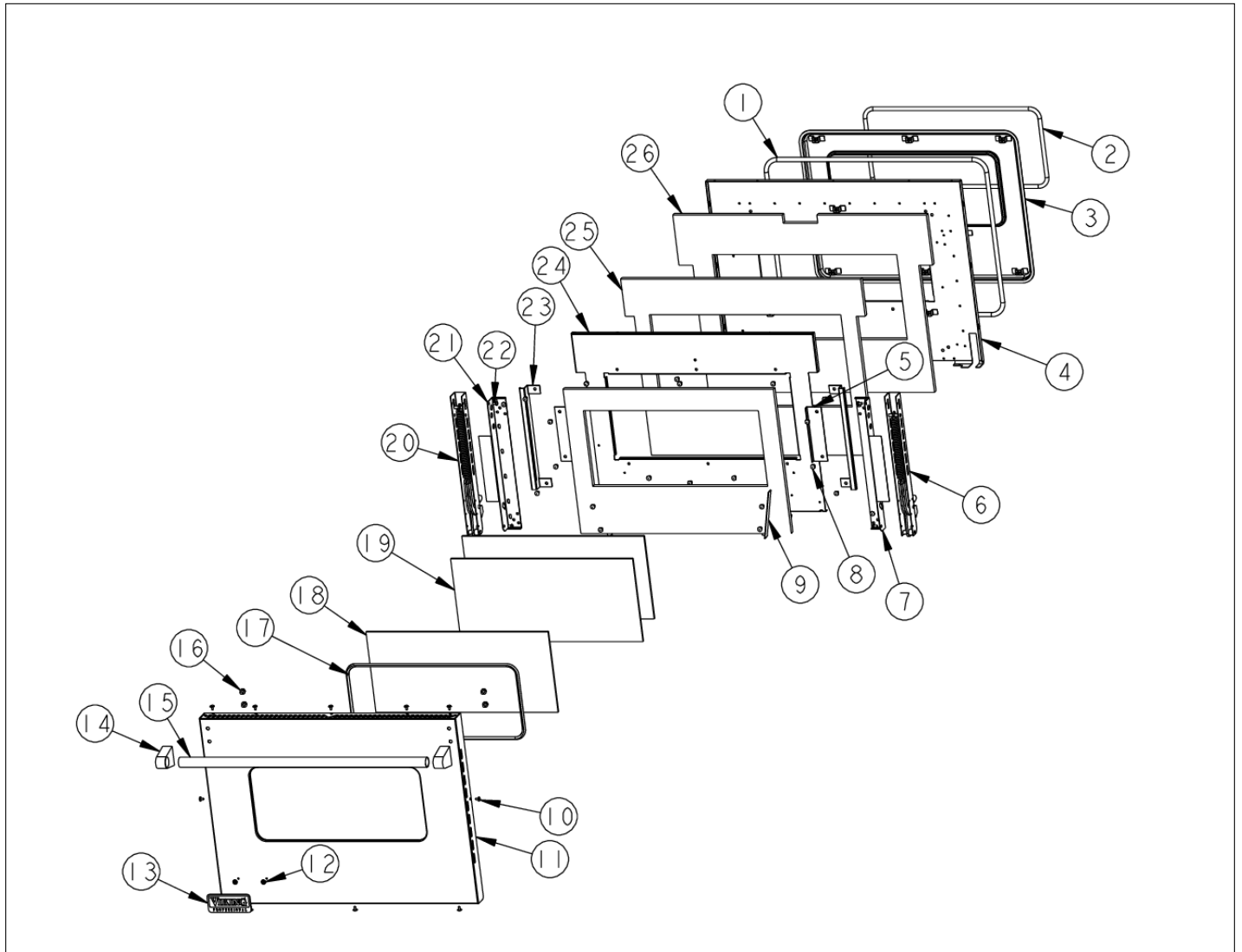
Item	Part No.	Name	Qty	Uom	NOTES
1	PD010003	10-24 X 1/2 PH.TR.HD.SERD.M.S.	1	EA	
2	G3009151	Landing Ledge Assembly	1	EA	
3	PD030005	SELF RETAINING NUT	1	EA	
4	PA070003	PRESSURE REGULATOR	1	EA	
5	002884-000	MANIFOLD PLUG	1	EA	
6	013213-000	TSTAT, SMPS, ELEC, 2-POS, .91" SHAFT, CB	1	EA	
7	PA020058	IRIS SINGLE SPARK MODULE	1	EA	
8	007147-000	SHUTOFF VALVE ASSY	1	EA	
9	003517-000	PA010158 VALVE AND BOLT KIT	1	EA	
10	PD020004	10X3/8PH.HD.TYPE 25 REPL PD040125	1	EA	
11	A1001138	MANIFOLD BRKT	1	EA	NO LONGER AVAILABLE, Not available online / Call for pricing and availability
12	PD010012	1/4 x 3/8 VALVE BOLT	1	EA	
13	PD030006	CAPPED WASHER PAL NUT	1	EA	
14	PE050024	OVEN IND. LIGHT (LIGHT HOUSING)	1	EA	
<p>Comments for Part Num. PE050024</p> <p>haarnink@vikingrange.com on Jan 14, 2019 please note that the indicator light is now part 043135-000 but needs the Jumper harness 051443-000. and second option there are units in the field with a 230V indicator light part number 036566-000.</p> <p>please check this for all "E" module ranges/Tops</p>					
15	PD020033	SRW-#10-24X1/2"T(23)PH.WFR HD (NKL)	1	EA	
16	PE010081	CONVECTION-LABEL/PLATE (CHROME)	1	EA	
16	PE010082	CONVECTION-LABEL/PLATE (*BR*)	1	EA	
17	050172-000	BEZEL, KNOB	1	EA	
17	PB010209	Bezel - BR	1	EA	
18	PE050016	OVEN LIGHT SWITCH - *BK* (WES-GAR)	1	EA	





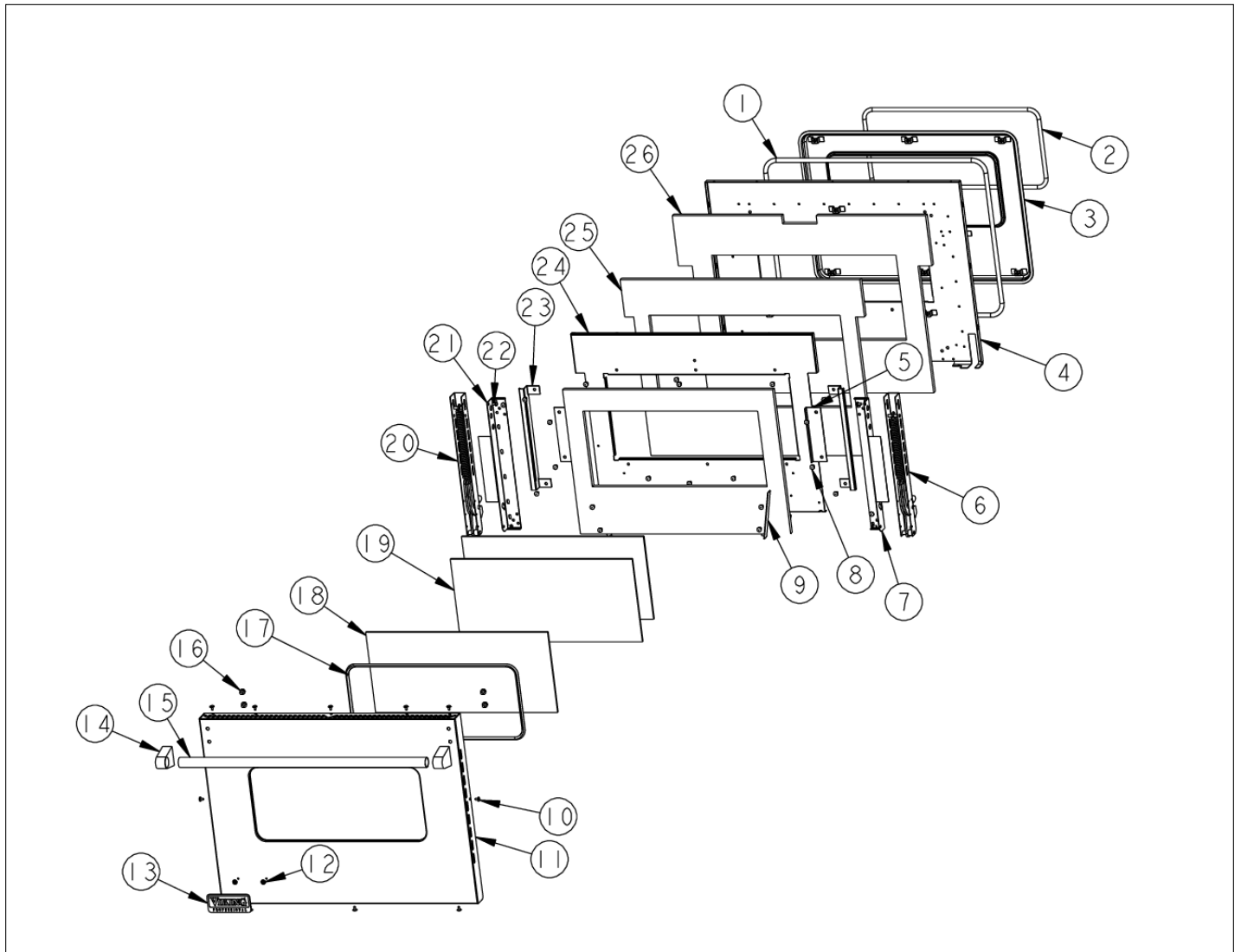
Item	Part No.	Name	Qty	Uom	NOTES
18	PE050017	OVEN LIGHT SWITCH - *WH* (WES-GAR)	1	EA	
19	PD020044	#8-32 X 1/4" PH. TR. HD. M.S.	1	EA	
20	000448-000	GRIDDLE KNOB *BK*	1	EA	
20	000448-006	GRIDDLE KNOB (WH) - NLA	1	EA	NO LONGER AVAILABLE
21	000447-000	THERMOSTAT KNOB SELF-CLEAN (BK)	1	EA	
21	000447-006	OVEN KNOB WITH BROIL(WH)	1	EA	
22	PE050023	OVEN IND. LIGHT (LENS & BEZEL)	1	EA	
23	PD020046	' #8 X 1/2 SCREWS	1	EA	
24	PB010206	TOP BURNER KNOB BK	1	EA	
24	PB010207	TOP BURNER KNOB WH	1	EA	Not available online / Call for pricing and availability
25	B9201281	CTRL PAN - VGRC365-4G *SLK SCR*	1	EA	
26	002158-000	36" UNIVERSAL MANIFOLD	1	EA	

DOOR ASSEMBLY

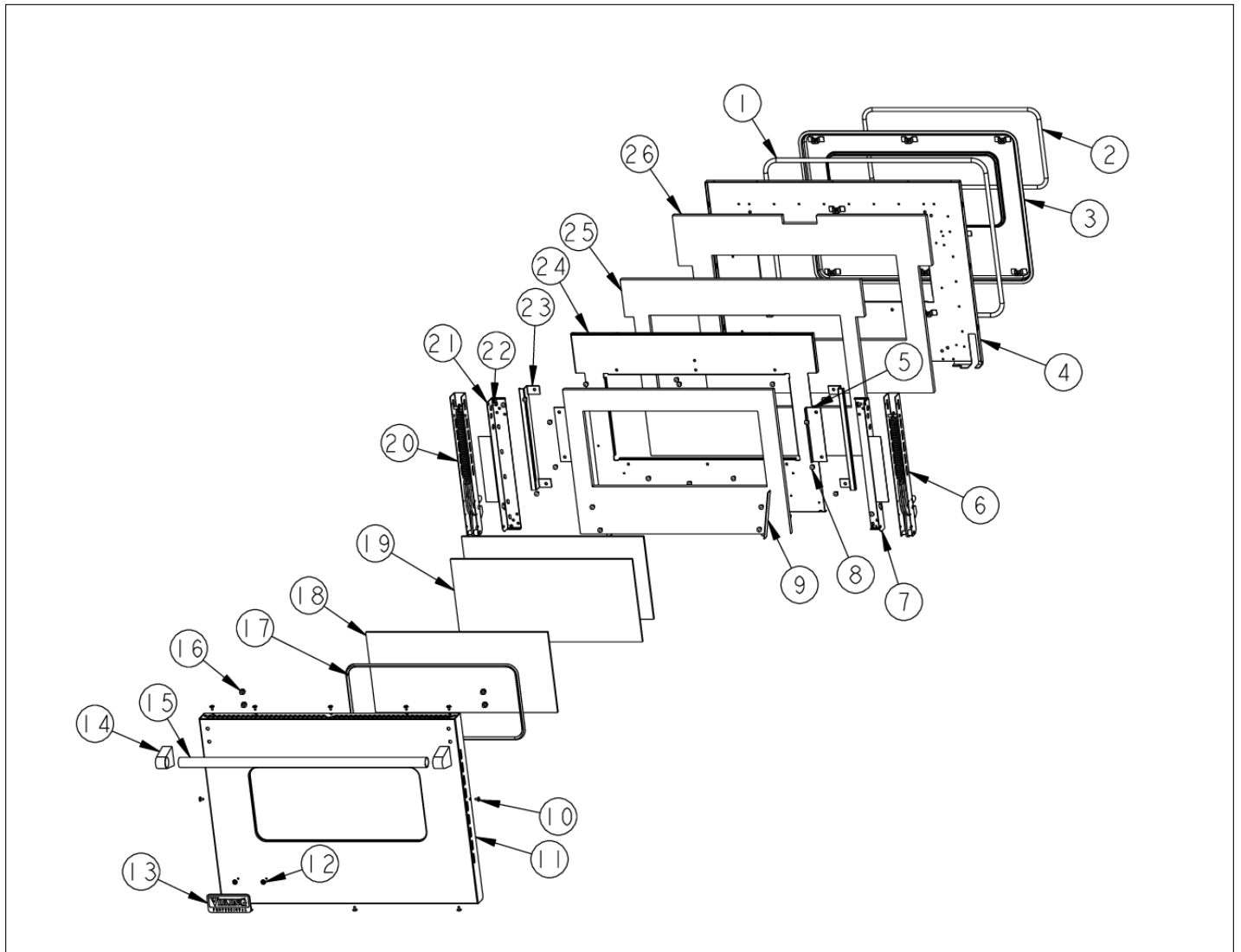




Item	Part No.	Name	Qty	Uom	NOTES
1	000090-000	36" DOOR GASKET	1	EA	
2	000594-000	BLACK FIBERGLASS ROPE 3/8	1	EA	
3	001399-000	DOOR PLUG ASSY PROC 36	1	EA	
4	001398-000	DOOR LINER ASSEMBLY PORC 36	1	EA	
5	A2002189	DOOR GLASS STANDOFF (VDSC)	1	EA	
6	PC020188	DOOR HINGE	1	EA	
7	000075-000	DOOR HINGE BRACKET	1	EA	Not available online / Call for pricing and availability
8	PD020002	10 X 1/2 PH.TR.HD.SMS.	1	EA	
9	A2002497	DOOR GUIDE ANGLE VDSC	1	EA	
10	PD020032	SRW-8(A)X3/8"PH.WFR HD 7/16DIA*NICL	1	EA	
11	B2002798	O/S DOOR PANEL *SS* (VDSC36)	1	EA	
11	C9002798AL	O/S DOOR PANEL-*AL* (VDSC36)	1	EA	NO LONGER AVAILABLE, Not available online / Call for pricing and availability
11	C9002798BK	O/S DOOR PANEL-*BK* (VDSC36)	1	EA	NO LONGER AVAILABLE
11	C9002798BT	O/S DOOR PANEL-*BT* (VDSC36)	1	EA	NO LONGER AVAILABLE, Not available online / Call for pricing and availability
11	C9002798BU	O/S DOOR PANEL-*BU* (VDSC36)	1	EA	NO LONGER AVAILABLE
11	C9002798CB	O/S DOOR PANEL-*CB* (VDSC36)	1	EA	NO LONGER AVAILABLE
11	C9002798EP	O/S DOOR PANEL-*EP* (VDSC36)	1	EA	NO LONGER AVAILABLE
11	C9002798FG	O/S DOOR PANEL-*FG* (VDSC36)	1	EA	NO LONGER AVAILABLE, Not available online / Call for pricing and availability
11	C9002798GG	O/S DOOR PANEL-*GG* (VDSC36)	1	EA	

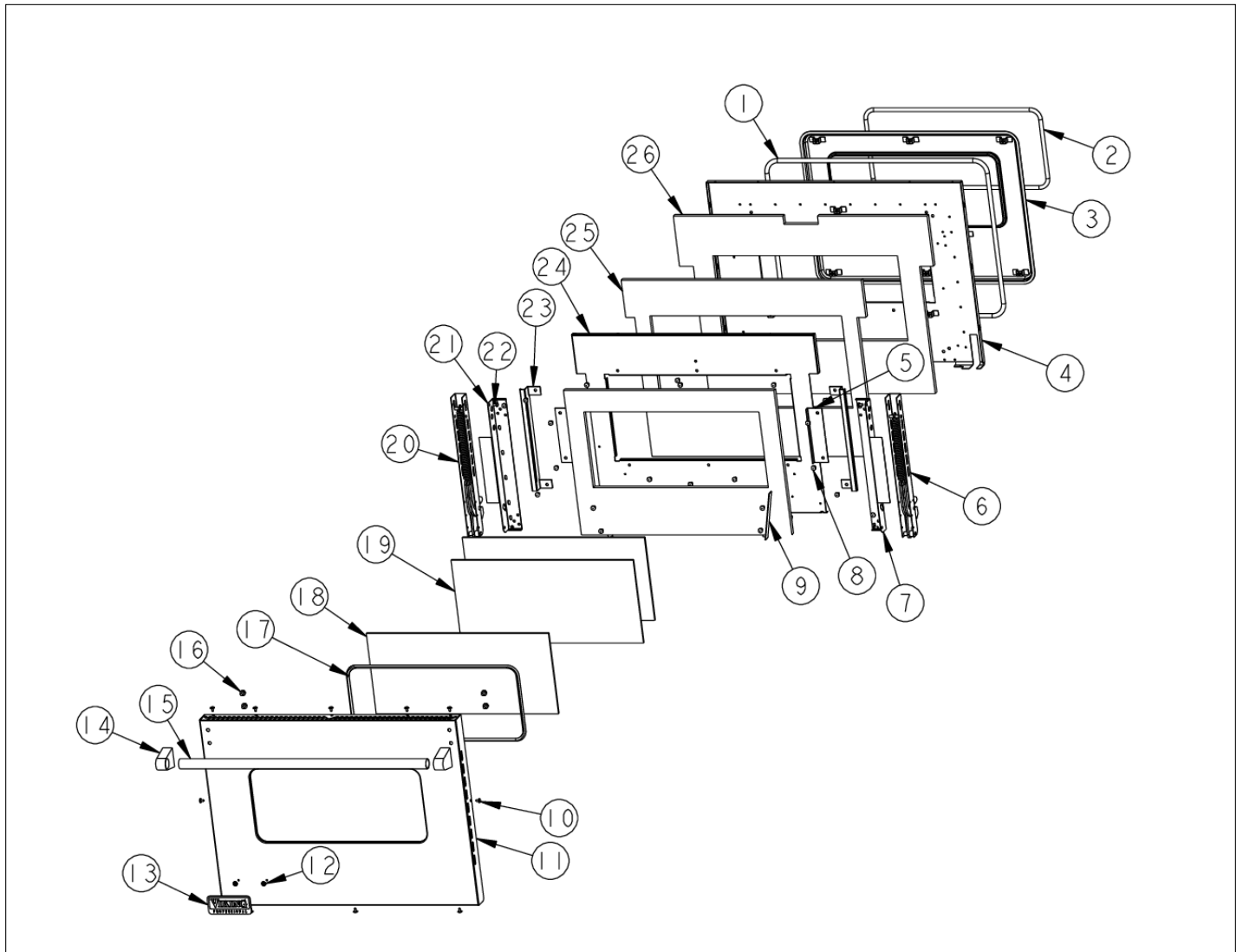


Item	Part No.	Name	Qty	Uom	NOTES
11	C9002798LE	O/S DOOR PANEL-*LE* (VDSC36)	1	EA	NO LONGER AVAILABLE, Not available online / Call for pricing and availability
11	C9002798MJ	O/S DOOR PANEL_*MJ* (VDSC36)	1	EA	Not available online / Call for pricing and availability
11	C9002798SG	O/S DOOR PANEL-*SG* (VDSC36)	1	EA	NO LONGER AVAILABLE, Not available online / Call for pricing and availability
11	C9002798VB	O/S DOOR PANEL-*VB* (VDSC36)	1	EA	NO LONGER AVAILABLE, Not available online / Call for pricing and availability
11	C9002798WH	O/S DOOR PANEL-*WH* (VDSC36)	1	EA	Not available online / Call for pricing and availability
12	PD030006	CAPPED WASHER PAL NUT	1	EA	
13	PE010030	LOGO	1	EA	
13	PE010068	LOGO 6" (VGRC) BK/BR	1	EA	
13	PE010031	LOGO 6" (VGRC) *BK/WH*	1	EA	NO LONGER AVAILABLE
13	PE010076	LOGO 6" (VGRC) *BR/WH*	1	EA	NO LONGER AVAILABLE
14	000268-000	HANDLE ENDCAP	1	EA	
14	PE030001PVD	END CAP DOOR HANDLE *BR	1	EA	
15	PE030006	DOOR HANDLE - 36" (VGRC)	1	EA	
15	PE030013PVD	DOOR HANDLE (36") PVD - NLA	1	EA	NO LONGER AVAILABLE
16	PD010019	BLT-1/4-20X3/8"HEX WASHER SERATED	1	EA	
17	PE060031	J-MOLD (LARGE WINDOW)	1	EA	
17	PE060045	J-MOLD (LARGE WINDOW) *BR*	1	EA	
18	PE060030	OUTER DOOR GLASS	1	EA	
19	PE060039	GLASS-HEAT TREATED (HB2) VDSC	1	EA	
20	PC020223	DOOR HINGE (LONG SPRING) NSF	1	EA	



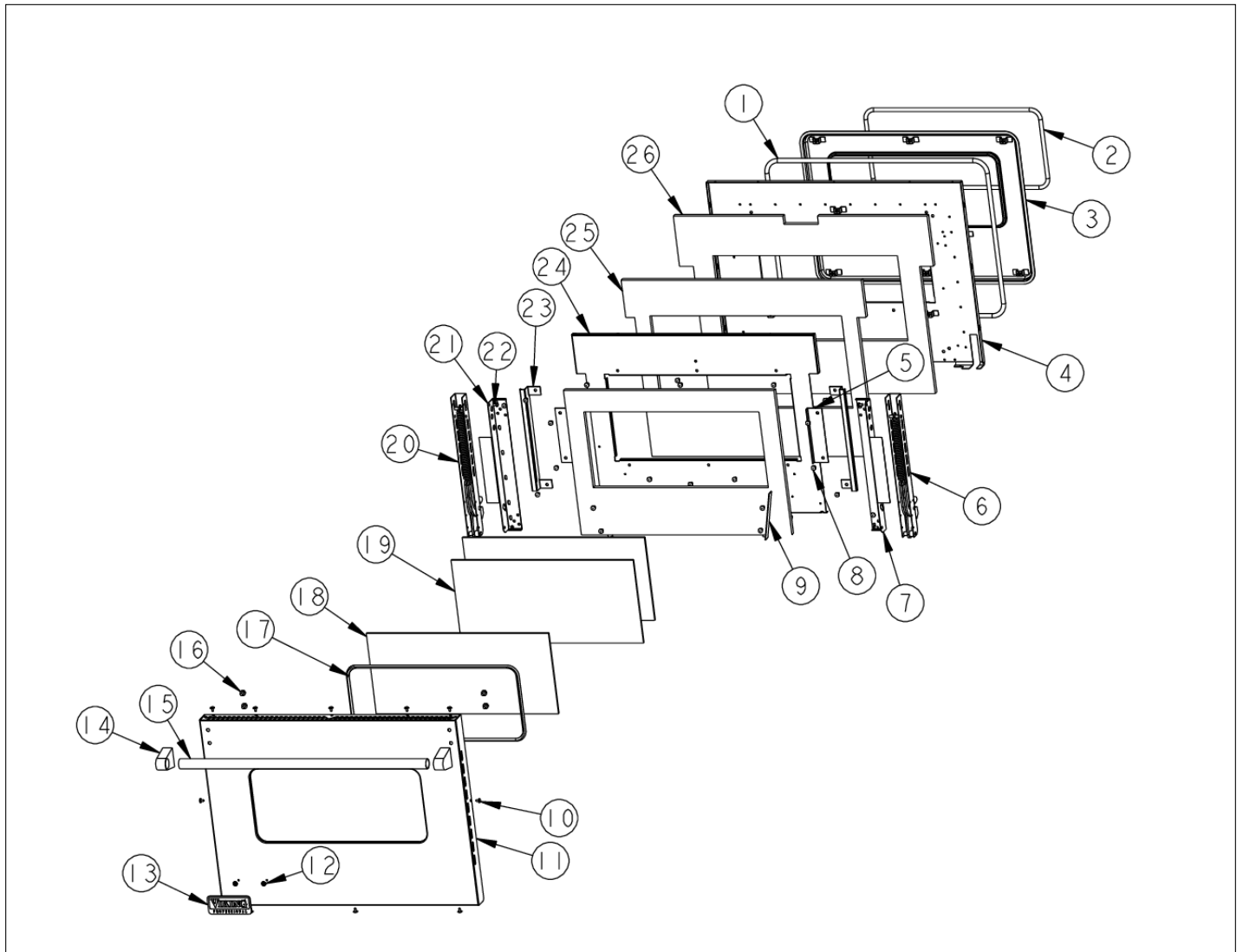


Item	Part No.	Name	Qty	Uom	NOTES
21	000932-000	DOOR HINGE BRACKET	1	EA	Not available online / Call for pricing and availability
22	PD020004	10X3/8PH.HD.TYPE 25 REPL PD040125	1	EA	
23	A2002367	DOOR GLASS BRKT	1	EA	
24	A20015329	DOOR INSULATION RETAINER	1	EA	
25	002561-000	36" DOOR INSULATION	1	EA	
26	002562-000	36" DOOR PLUG INSULATION	1	EA	
NI	000957-007	DOOR ASSY 36 (AL)	1	EA	NO LONGER AVAILABLE, Not available online / Call for pricing and availability
NI	000957-107	DOOR ASSEMBLY 36 (ALBR)	1	EA	NO LONGER AVAILABLE, Not available online / Call for pricing and availability
NI	000957-002	DOOR ASSY 36 (BK)	1	EA	NO LONGER AVAILABLE, Not available online / Call for pricing and availability
NI	000957-102	DOOR ASSEMBLY 36 (BKBR)	1	EA	NO LONGER AVAILABLE, Not available online / Call for pricing and availability
NI	000957-003	DOOR ASSY 36 (BT)	1	EA	NO LONGER AVAILABLE, Not available online / Call for pricing and availability
NI	000957-103	DOOR ASSEMBLY 36 (BTBR)	1	EA	NO LONGER AVAILABLE, Not available online / Call for pricing and availability
NI	000957-008	DOOR ASSY 36 (BU)	1	EA	NO LONGER AVAILABLE, Not available online / Call for pricing and availability
NI	000957-108	DOOR ASSEMBLY 36 (BUBR)	1	EA	NO LONGER AVAILABLE, Not available online / Call for pricing and availability





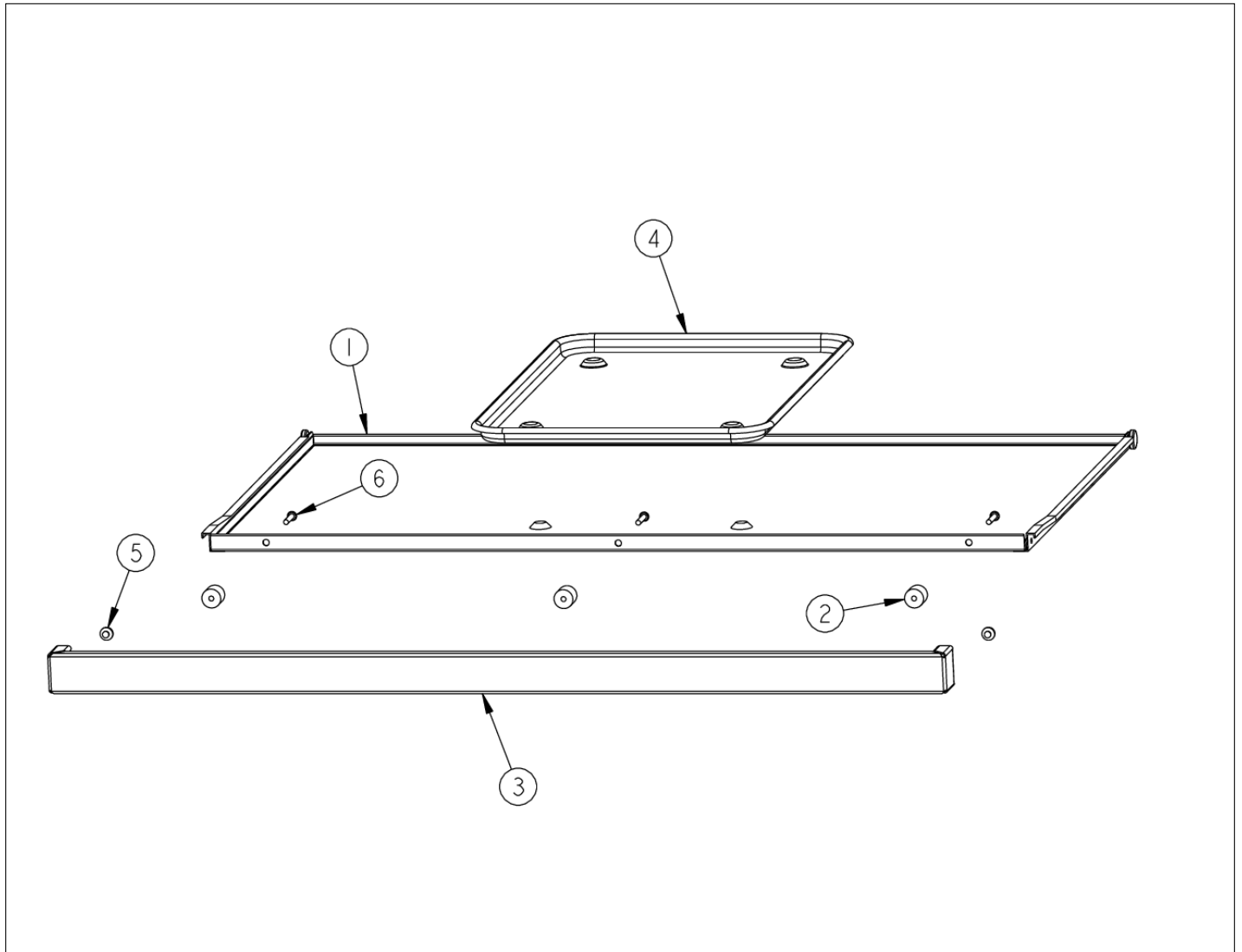
Item	Part No.	Name	Qty	Uom	NOTES
NI	000957-013	DOOR ASSEMBLY 36 (CB)	1	EA	NO LONGER AVAILABLE, Not available online / Call for pricing and availability
NI	000957-113	DOOR ASSEMBLY 36 (CBBR)	1	EA	NO LONGER AVAILABLE, Not available online / Call for pricing and availability
NI	000957-014	DOOR ASSEMBLY 36 (EP)	1	EA	NO LONGER AVAILABLE, Not available online / Call for pricing and availability
NI	000957-114	DOOR ASSEMBLY 36 (EPBR)	1	EA	NO LONGER AVAILABLE, Not available online / Call for pricing and availability
NI	000957-011	DOOR ASSEMBLY 36 (FG)	1	EA	NO LONGER AVAILABLE, Not available online / Call for pricing and availability
NI	000957-111	DOOR ASSEMBLY 36 (FGBR)	1	EA	NO LONGER AVAILABLE, Not available online / Call for pricing and availability
NI	000957-005	DOOR ASSY 36 (GG)	1	EA	
NI	000957-105	DOOR ASSEMBLY 36 (WHBR)	1	EA	NO LONGER AVAILABLE, Not available online / Call for pricing and availability
NI	000957-009	DOOR ASSEMBLY 36 (LE)	1	EA	NO LONGER AVAILABLE, Not available online / Call for pricing and availability
NI	000957-109	DOOR ASSEMBLY 36 (LEBR)	1	EA	NO LONGER AVAILABLE, Not available online / Call for pricing and availability
NI	000957-010	DOOR ASSEMBLY 36 (MJ)	1	EA	NO LONGER AVAILABLE, Not available online / Call for pricing and availability





Item	Part No.	Name	Qty	Uom	NOTES
NI	000957-110	DOOR ASSEMBLY 36 (MJBR)	1	EA	NO LONGER AVAILABLE, Not available online / Call for pricing and availability
NI	000957-004	DOOR ASSY 36 (SG)	1	EA	NO LONGER AVAILABLE, Not available online / Call for pricing and availability
NI	000957-104	DOOR ASSEMBLY 36 (SGBR)	1	EA	NO LONGER AVAILABLE, Not available online / Call for pricing and availability
NI	000957-000	DOOR ASSEMBLY 36	1	EA	Not available online / Call for pricing and availability
NI	000957-100	DOOR ASSEMBLY 36" (SSBR)	1	EA	NO LONGER AVAILABLE, Not available online / Call for pricing and availability
NI	000957-012	DOOR ASSEMBLY 36 (VB)	1	EA	NO LONGER AVAILABLE, Not available online / Call for pricing and availability
NI	000957-112	DOOR ASSEMBLY 36 (VBBR)	1	EA	NO LONGER AVAILABLE, Not available online / Call for pricing and availability
NI	000957-006	DOOR ASSY 36 (WH)	1	EA	Not available online / Call for pricing and availability
NI	000957-106	DOOR ASSEMBLY 36 (WHBR)	1	EA	NO LONGER AVAILABLE, Not available online / Call for pricing and availability

DRIP TRAY

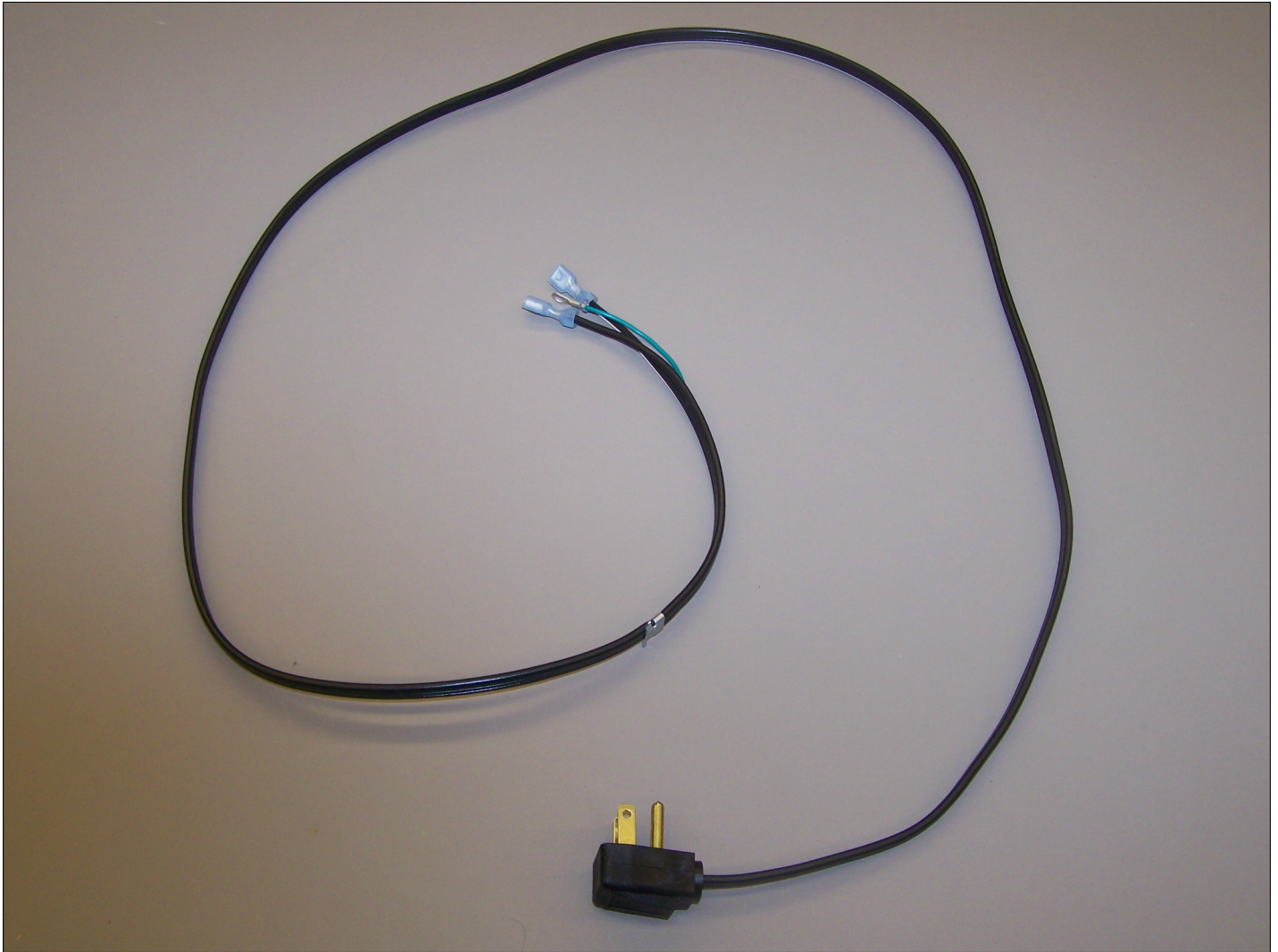




Item	Part No.	Name	Qty	Uom	NOTES
1	G30010455	36" DRIP TAY ASSY, NLA	1	EA	
2	PD040028	BUSHING(.194ID/.750OD/.750L ONG)	1	EA	
3	G30010696	DRIP TRAY HANDLE ASSY 36"	1	EA	
3	G93011459PVD	False Tray Handle - 6B (BR) - NLA	1	EA	
4	J2101749	GREASE PAN	1	EA	
5	PD040004	GROMMET BUMPER	1	EA	
6	PD020079	#10 X 1 1/4 PH. PAN HD. T(A) NYLOK	1	EA	



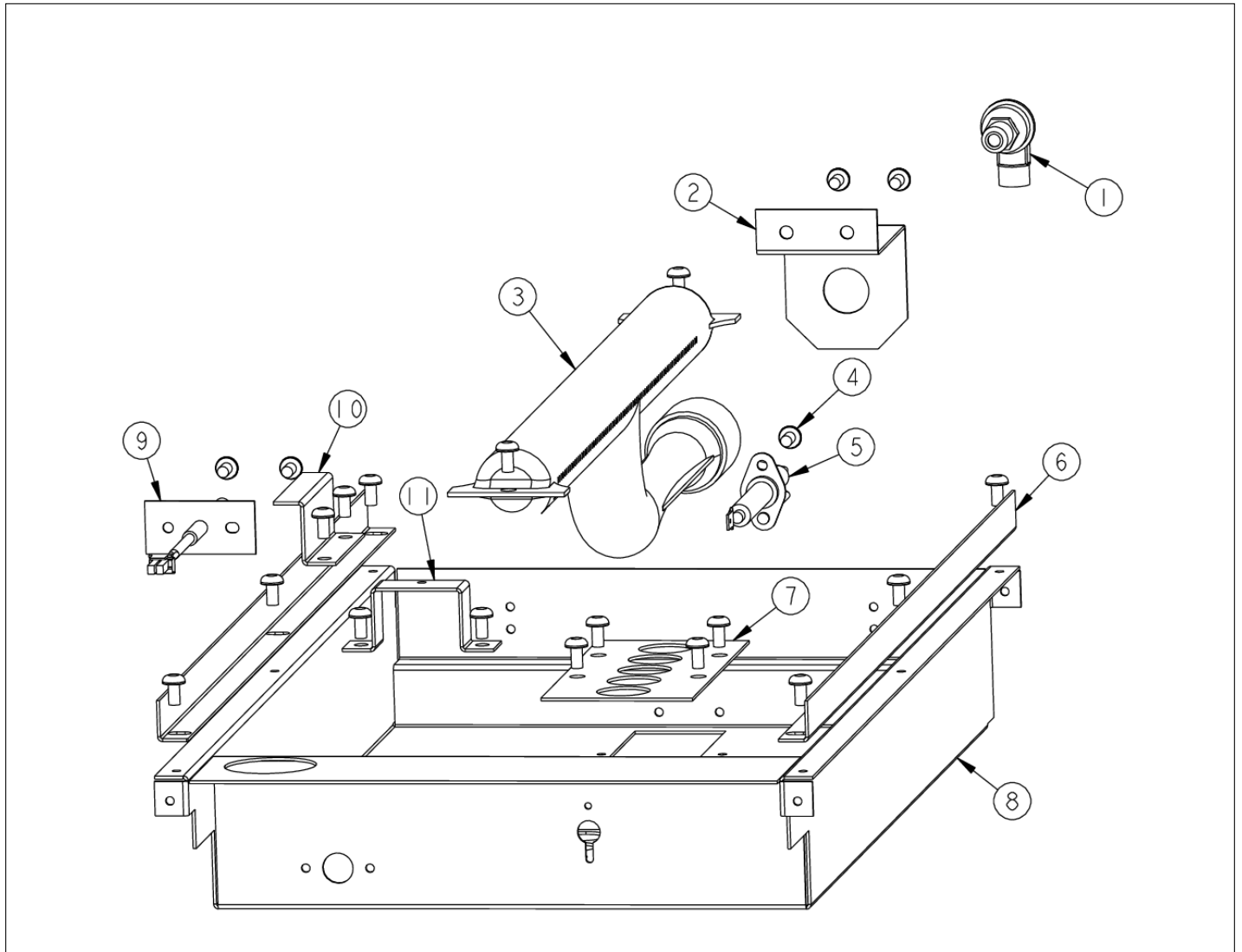
G4008493 SUPPLY CORD





Item	Part No.	Name	Qty	Uom	NOTES
1	G4008493	SUPPLY CORD ASSY- VGSU	1	EA	

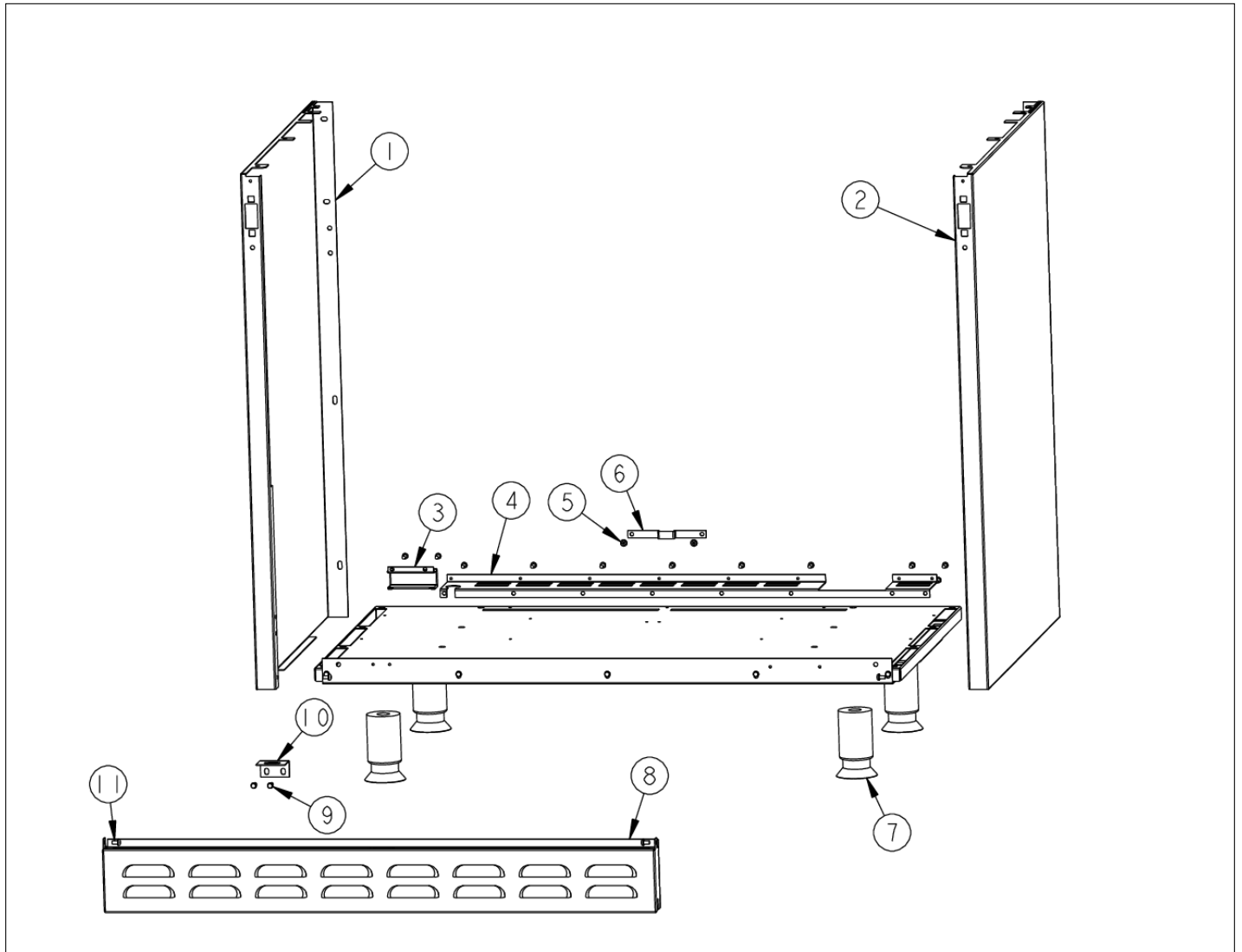
GRIDDLE SUBASSEMBLY



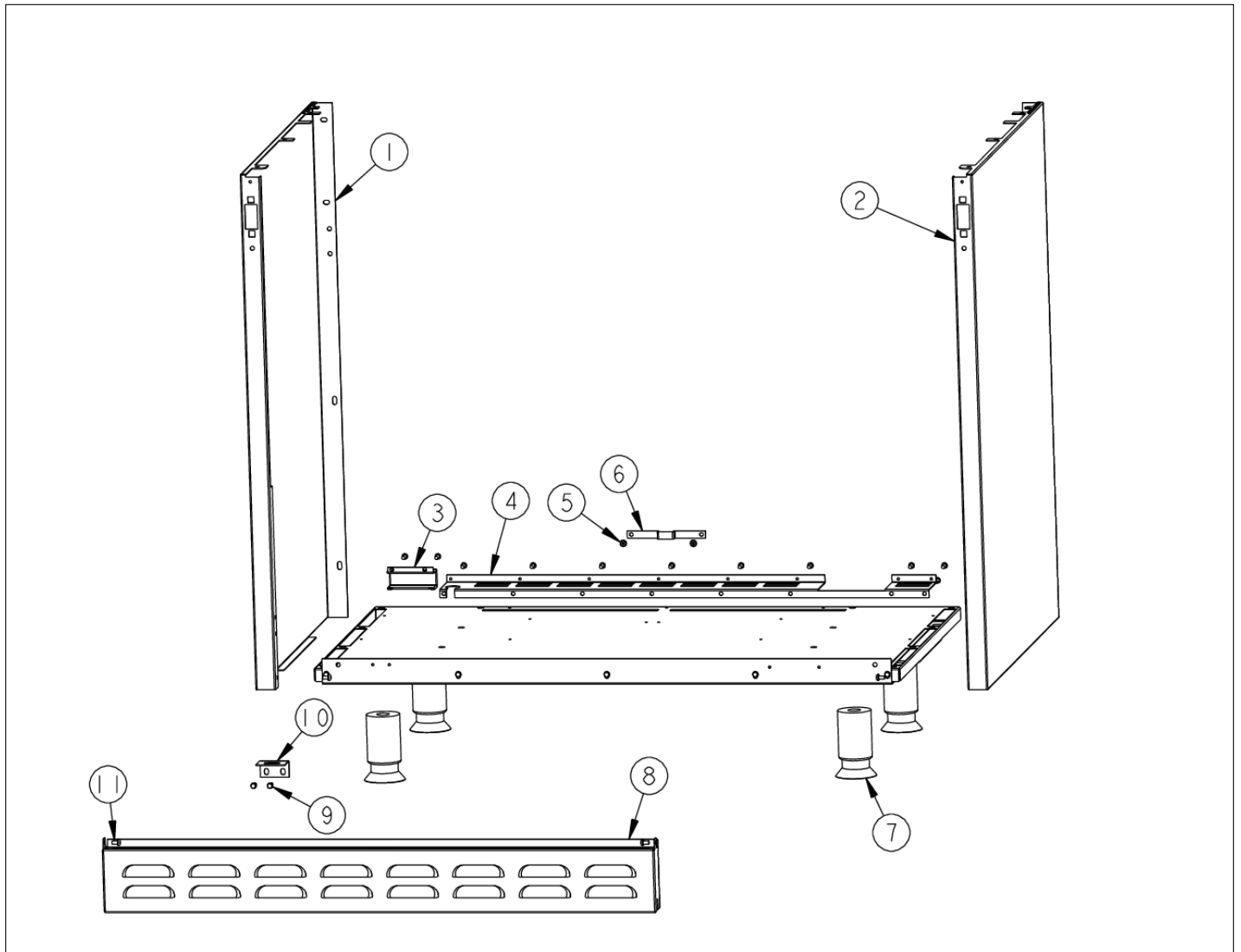


Item	Part No.	Name	Qty	Uom	NOTES
1	PB040190	90 DEGREE ORIFICE FITTING #50 NAT	1	EA	
2	000958-000	GRIDDLE ELBOW HOLDER	1	EA	NO LONGER AVAILABLE, Not available online / Call for pricing and availability
3	PB050074	Griddle Burner	1	EA	
4	PD020004	10X3/8PH.HD.TYPE 25 REPL PD040125	1	EA	
5	008091-000	PB040288 IGNITOR KIT	1	EA	
6	A20010657	GRIDDLE BOX FLANGE	1	EA	
7	A1007861	Griddle Venturi Cover	1	EA	Not available online / Call for pricing and availability
8	000972-000	GRIDDLE BOX	1	EA	NO LONGER AVAILABLE, Not available online / Call for pricing and availability
9	PE050206	RTD THERMOSTAT PROBE	1	EA	
10	000971-000	RTD GRIDDLE SHIELD - NLA	1	EA	NO LONGER AVAILABLE
11	000970-000	GRIDDLE MTG BRKT	1	EA	NO LONGER AVAILABLE, Not available online / Call for pricing and availability

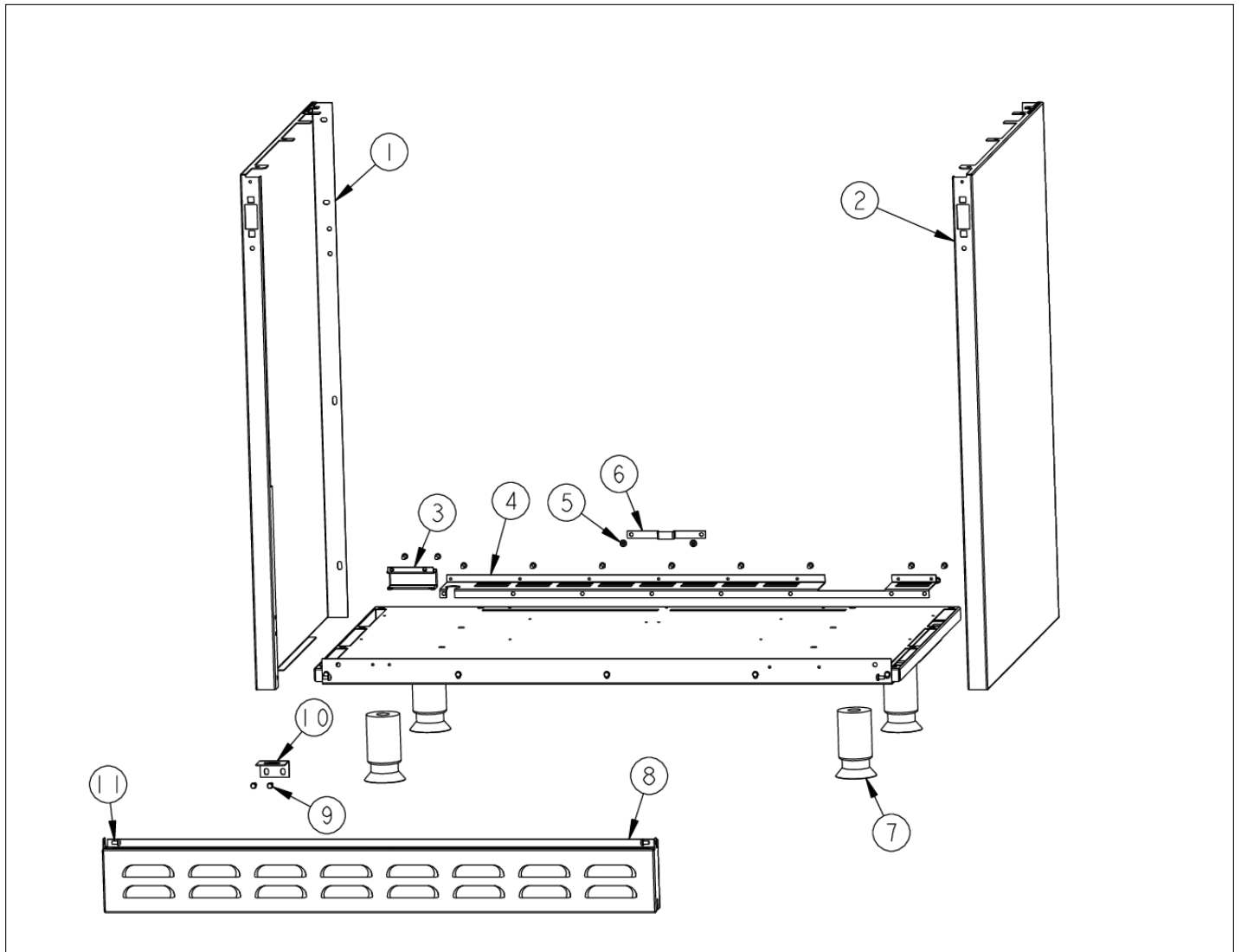
LOWER UNIT AREA



Item	Part No.	Name	Qty	Uom	NOTES
1	B20010180	O/S BODY PANEL - LH	1	EA	
1	C90010180AL	SIDE PANEL LH *AL*	1	EA	NO LONGER AVAILABLE, Not available online / Call for pricing and availability
1	C90010180BK	SIDE PANEL LH *BK*	1	EA	Not available online / Call for pricing and availability
1	C90010180BT	SIDE PANEL LH *BT*	1	EA	NO LONGER AVAILABLE, Not available online / Call for pricing and availability
1	C90010180BU	SIDE PANEL LH *BU*	1	EA	
1	C90010180CB	SIDE PANEL LH *CB*	1	EA	NO LONGER AVAILABLE
1	C90010180EP	SIDE PANEL LH *EP*	1	EA	NO LONGER AVAILABLE, Not available online / Call for pricing and availability
1	C90010180FG	SIDE PANEL LH *FG*	1	EA	NO LONGER AVAILABLE, Not available online / Call for pricing and availability
1	C90010180GG	SIDE PANEL LH *GG*	1	EA	NO LONGER AVAILABLE, Not available online / Call for pricing and availability
1	C90010180LE	SIDE PANEL LH *LE*	1	EA	NO LONGER AVAILABLE, Not available online / Call for pricing and availability
1	C90010180MJ	SIDE PANEL LH *MJ*	1	EA	
1	C90010180SG	SIDE PANEL LH *SG*	1	EA	NO LONGER AVAILABLE, Not available online / Call for pricing and availability
1	C90010180VB	SIDE PANEL LH *VB*	1	EA	NO LONGER AVAILABLE, Not available online / Call for pricing and availability
1	C90010180WH	SIDE PANEL LH *WH*	1	EA	
2	B20010179	O/S BODY PANEL - RH	1	EA	

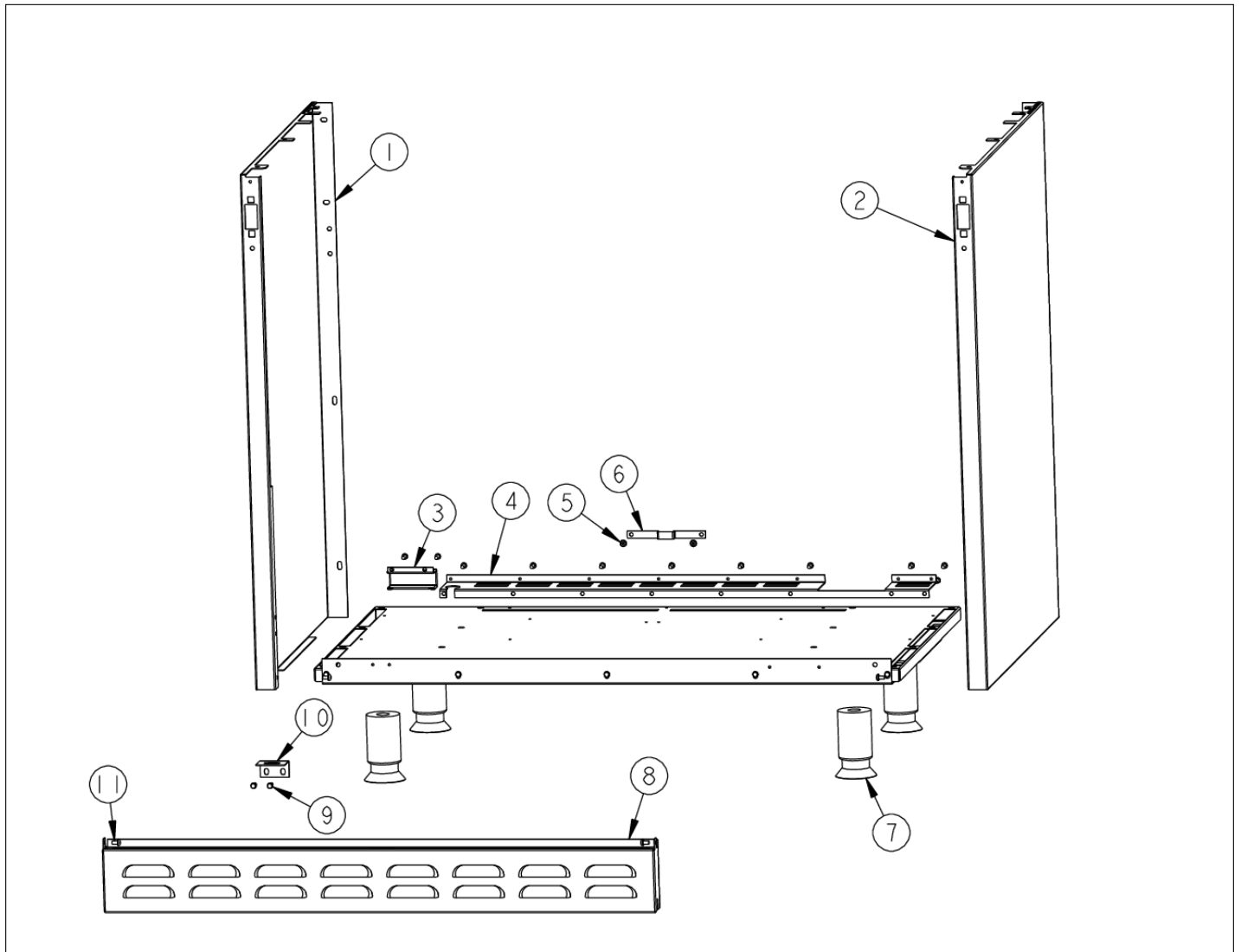


Item	Part No.	Name	Qty	Uom	NOTES
2	C90010179AL	SIDE PANEL RH *AL*	1	EA	NO LONGER AVAILABLE, Not available online / Call for pricing and availability
2	C90010179BK	SIDE PANEL RH *BK*	1	EA	NO LONGER AVAILABLE
2	C90010179BT	SIDE PANEL RH *BT*	1	EA	NO LONGER AVAILABLE, Not available online / Call for pricing and availability
2	C90010179BU	SIDE PANEL RH *BU*	1	EA	Not available online / Call for pricing and availability
2	C90010179CB	SIDE PANEL RH *CB*	1	EA	NO LONGER AVAILABLE
2	C90010179EP	SIDE PANEL RH *EP*	1	EA	NO LONGER AVAILABLE, Not available online / Call for pricing and availability
2	C90010179FG	SIDE PANEL RH *FG*	1	EA	NO LONGER AVAILABLE, Not available online / Call for pricing and availability
2	C90010179GG	SIDE PANEL RH *GG*	1	EA	NO LONGER AVAILABLE, Not available online / Call for pricing and availability
2	C90010179LE	SIDE PANEL RH *LE*	1	EA	NO LONGER AVAILABLE, Not available online / Call for pricing and availability
2	C90010179MJ	SIDE PANEL RH *MJ*	1	EA	
2	C90010179SG	SIDE PANEL RH *SG*	1	EA	NO LONGER AVAILABLE, Not available online / Call for pricing and availability
2	C90010179VB	SIDE PANEL RH *VB*	1	EA	NO LONGER AVAILABLE, Not available online / Call for pricing and availability
2	C90010179WH	SIDE PANEL RH *WH*	1	EA	
3	A2004481	WIRE CHANNEL RH (VGSC306)	1	EA	NO LONGER AVAILABLE





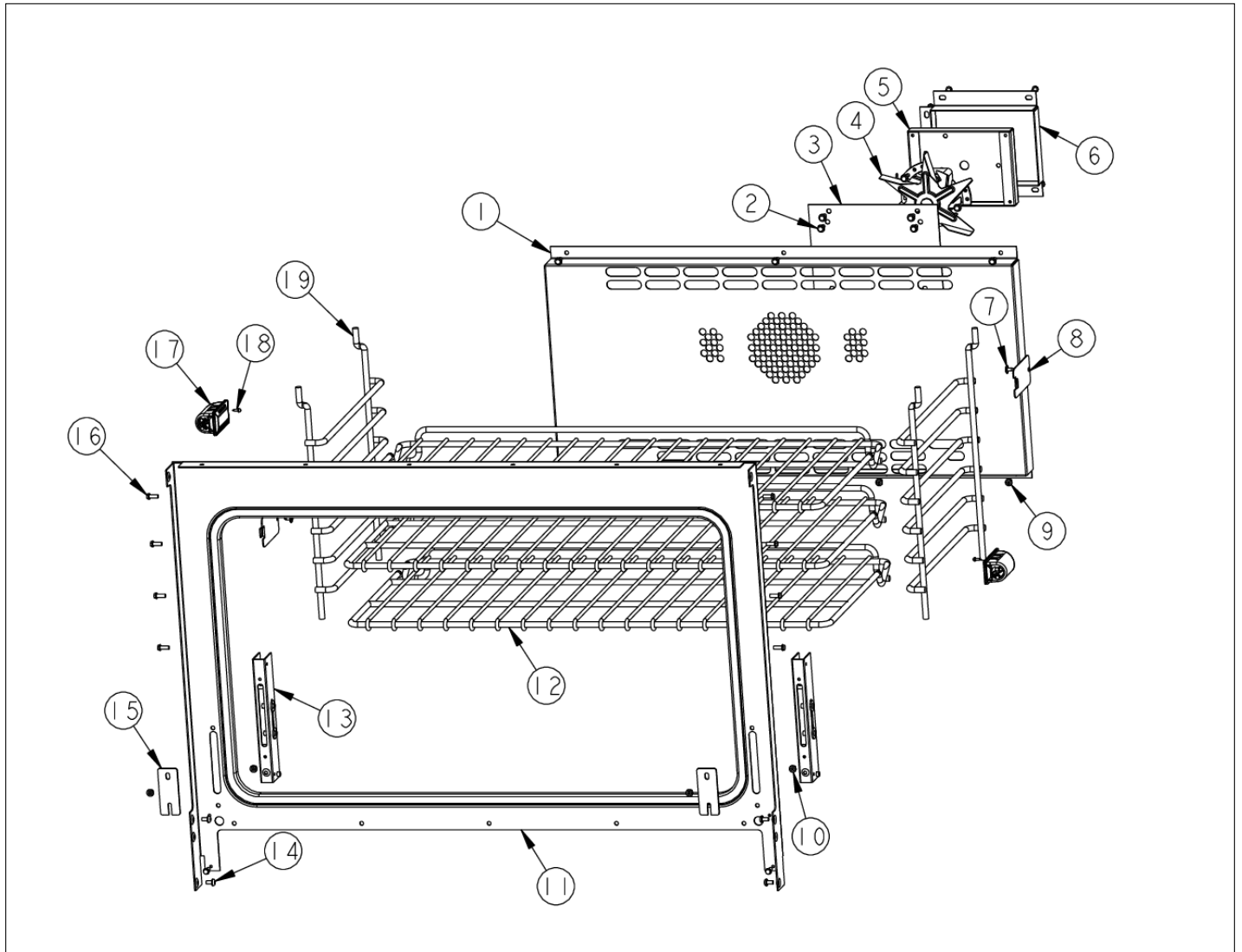
Item	Part No.	Name	Qty	Uom	NOTES
4	A2005523	FLUE HEAT SHIELD	1	EA	NO LONGER AVAILABLE, Not available online / Call for pricing and availability
5	M0210443	SCREW-E SM VM0210443	1	EA	
6	A2004428	REAR BOTTOM BRCKT (VGSC306)	1	EA	
7	PC030017	4" LEG ASSY	1	EA	
8	B2001504	LWR ACC PNL - RPLCS B2001977	1	EA	
8	C9001504AL	LWR ACC PNL - RPLCS C9001977AL	1	EA	NO LONGER AVAILABLE
8	C9001504BK	LWR ACC PNL - RPLCS C9001977BK	1	EA	
8	C9001504BT	LWR ACC PNL - RPLCS C9001977BT	1	EA	NO LONGER AVAILABLE, Not available online / Call for pricing and availability
8	C9001504BU	LWR ACC PNL - RPLCS C9001977BU	1	EA	Not available online / Call for pricing and availability
8	C9001504CB	LWR ACC PNL - RPCLS C9001977CB	1	EA	NO LONGER AVAILABLE, Not available online / Call for pricing and availability
8	C9001504EP	LWR ACC PNL - RPLCS C9001977EP	1	EA	NO LONGER AVAILABLE
8	C9001504FG	LWR ACC PNL - RPLCS C9001977FG	1	EA	NO LONGER AVAILABLE
8	C9001504GG	LWR ACC PNL - RPLCS C9001977GG	1	EA	NO LONGER AVAILABLE, Not available online / Call for pricing and availability
8	C9001504LE	LWR ACC PNL - RPLCS C9001977LE	1	EA	NO LONGER AVAILABLE, Not available online / Call for pricing and availability
8	C9001504MJ	LWR ACC PNL - RPLCS C9001977MJ	1	EA	Not available online / Call for pricing and availability





Item	Part No.	Name	Qty	Uom	NOTES
8	C9001504SG	LWR ACC PNL - RPCLS C9001977SG	1	EA	NO LONGER AVAILABLE, Not available online / Call for pricing and availability
8	C9001504VB	LWR ACC PNL - RPLCS C9001977VB	1	EA	NO LONGER AVAILABLE
8	C9001504WH	LWR ACC PNL - RPLCS C9001977WH	1	EA	
9	PD020060	10 X 1/2" (5/16)HEX WSHER HD.(T)A	1	EA	
10	A20012922	DISCONNECT POWER BRACKET	1	EA	NO LONGER AVAILABLE, Not available online / Call for pricing and availability
11	PD020004	10X3/8PH.HD.TYPE 25 REPL PD040125	1	EA	
NI	PB040180	ORIFICE HOOD #31	1	EA	

MAIN OVEN CAVITY



Item	Part No.	Name	Qty	Uom	NOTES
1	G9105513	CONVECTION FAN COVER ASSY (VGSC366)	1	EA	
2	PD020048	NO.10 X 1/2 TEK 410 SS SCREW	1	EA	
3	A1002596	CONVECTION FAN COVER (VDSC)	1	EA	
4	PE050005	CONVECTION FAN ASSY	1	EA	
5	A2002595	CONVECTION FAN BOX (VDSC)	1	EA	
6	A2008467	INSULATION SHIELD	1	EA	
7	PD020063	SCREW-#8(A) X 3/8"PH WFR HD/BK OXID	1	EA	
8	E91012614	LIGHT HOLE COVER	1	EA	
9	M0210443	SCREW-E SM VM0210443	1	EA	
10	003083-000	#8-18 x 1/2" PHIL FLAT TOP TRUSS HD AB SCREW	1	EA	
11	001307-000	OVEN FRONT FRAME ASSY PORC - NLA	1	EA	NO LONGER AVAILABLE
12	PB060045	OVEN RK VDSC36 REPL PB060020	1	EA	
13	PC020295	HINGE RECEIVER ASSEMBLY	1	EA	
14	PD020004	10X3/8PH.HD.TYPE 25 REPL PD040125	1	EA	
15	B1007913	HINGE CLIP (DESIGNER TIME PIECE)	1	EA	
16	PD020060	10 X 1/2" (5/16)HEX WSHER HD.(T)A	1	EA	
17	005311-000	LAMP, OVEN, 120V/25W	1	EA	
18	PD020013	TYPE "AB" #6 X 3/8 PH PAN HD. SMS	1	EA	
19	PB060030	RACK SUPT REPL PB060010	1	EA	



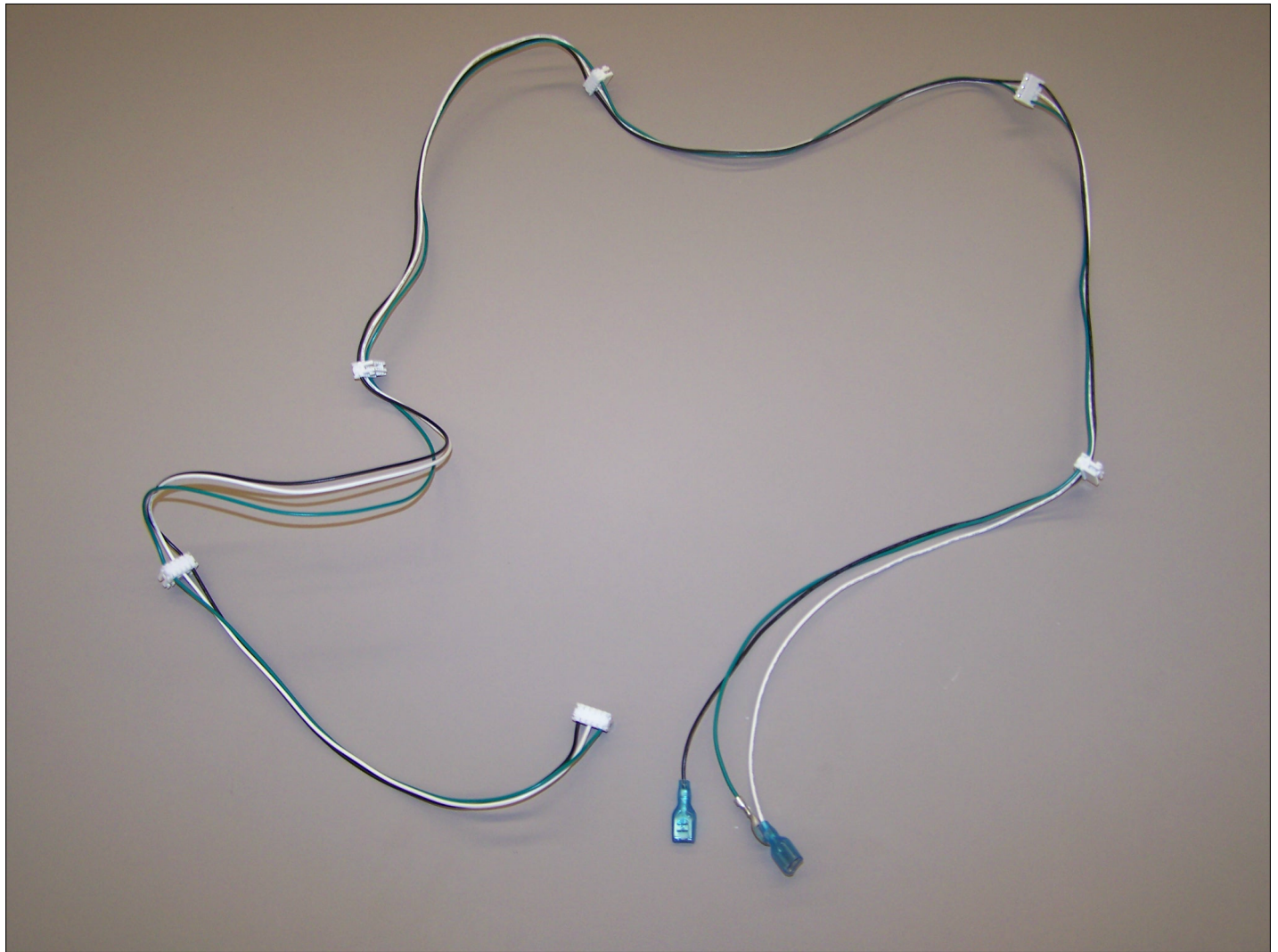
PE070245 LIGHT EXT. HARNESS





Item	Part No.	Name	Qty	Uom	NOTES
1	PE070245	LIGHT EXTENTION HARNESS (VGSC306)	1	EA	
Not Shown	NOTE	(MAY NOT BE USED ON ALL UNITS)		EA	

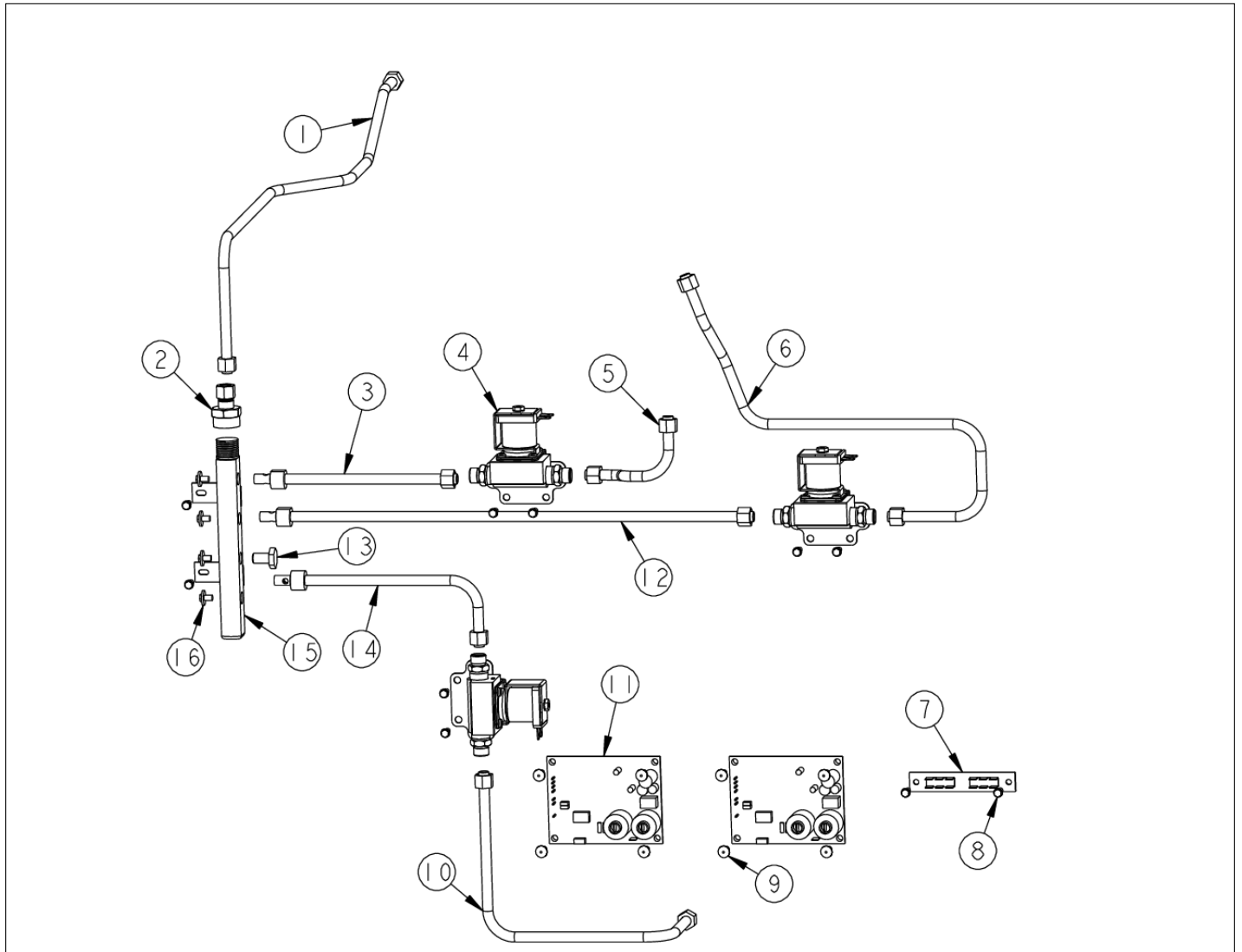
PE070890 IRIS HARNESS





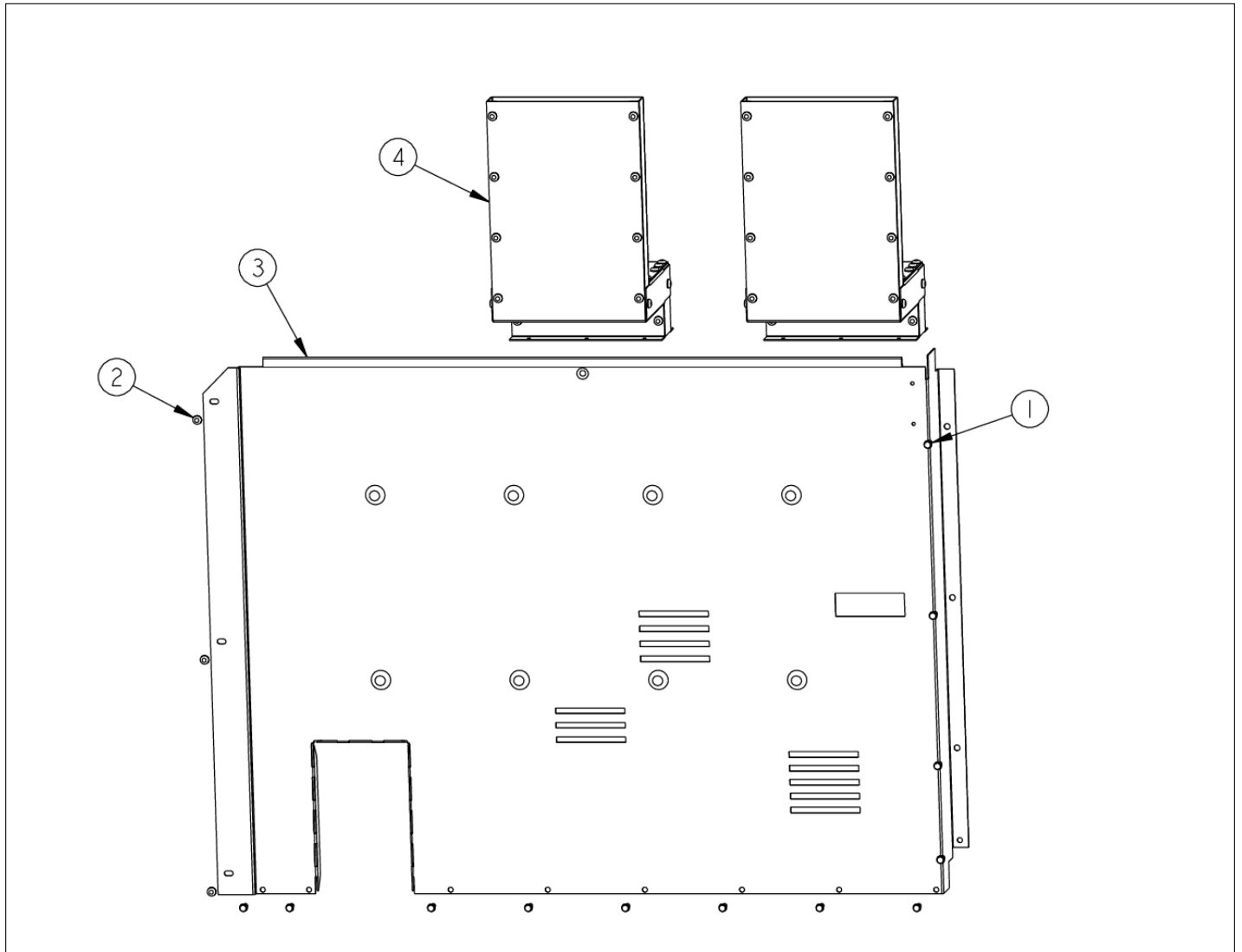
Item	Part No.	Name	Qty	Uom	NOTES
1	PE070890	IRIS HARNESS - 36"	1	EA	

REAR ELECTRONICS AND GAS FLOW



Item	Part No.	Name	Qty	Uom	NOTES
1	001359-000	3/8" TUBING MAIN MANIFOLD 36"	1	EA	NO LONGER AVAILABLE, Not available online / Call for pricing and availability
2	001290-000	1/2" NPT TO 3/8" COMPRESSION ADT- FEMALE	1	EA	
3	001362-000	BROIL VALVE TUBING	1	EA	
4	003226-000	FJT VALVE - NO NUT/FERRELL	1	EA	
5	000921-000	3/8" ALUM TUBING ELBOW	1	EA	
6	001450-000	3/8" SEALED GRIDDLE TUBING - NLA	1	EA	NO LONGER AVAILABLE
7	PE050001	TERMINAL BOARD	1	EA	
8	PD020060	10 X 1/2" (5/16)HEX WSHER HD.(T)A	1	EA	
9	PD020014	10X3/4 PH TR HD SMS	1	EA	
10	000919-000	3/8" ALUM TUBING	1	EA	
11	PA020056	NLA - See TC-0063D-SP for kit number (see comments)	1	EA	
12	000922-000	3/8" GRIDDLE TUBING	1	EA	
13	PA010012	ROPER PLUG	1	EA	
14	001363-000	3/8" BAKE TUBING	1	EA	NO LONGER AVAILABLE
15	000863-000	4 PORT MANIFOLD - NLA	1	EA	NO LONGER AVAILABLE
16	PD010012	1/4 x 3/8 VALVE BOLT	1	EA	

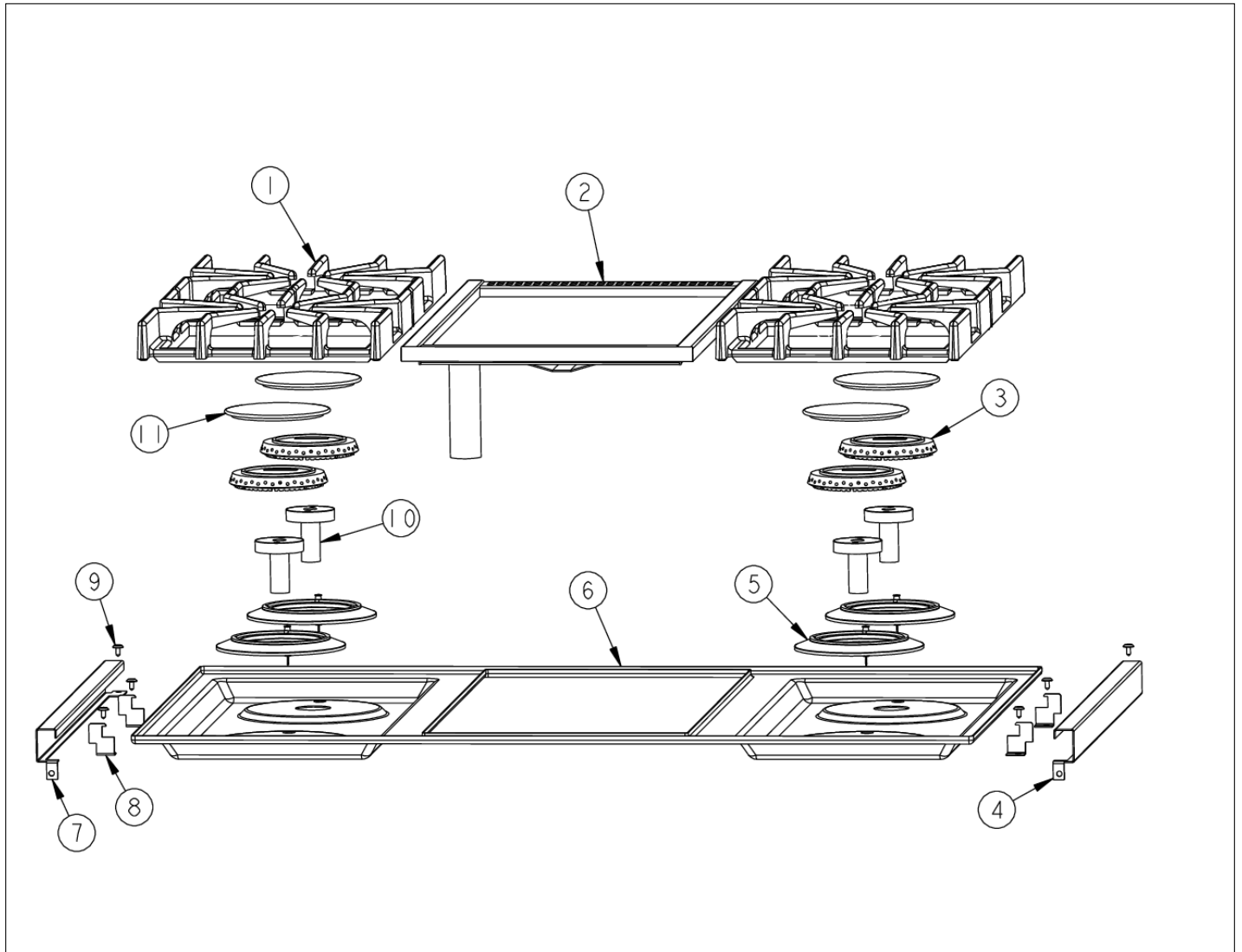
REAR SHEET METAL





Item	Part No.	Name	Qty	Uom	NOTES
1	PD020060	10 X 1/2" (5/16)HEX WSHER HD.(T)A	1	EA	
2	PD020004	10X3/8PH.HD.TYPE 25 REPL PD040125	1	EA	
3	A2005522	OUTSIDE BACK (VGSC366)	1	EA	Not available online / Call for pricing and availability
4	000967-000	FLUE ASSY	1	EA	

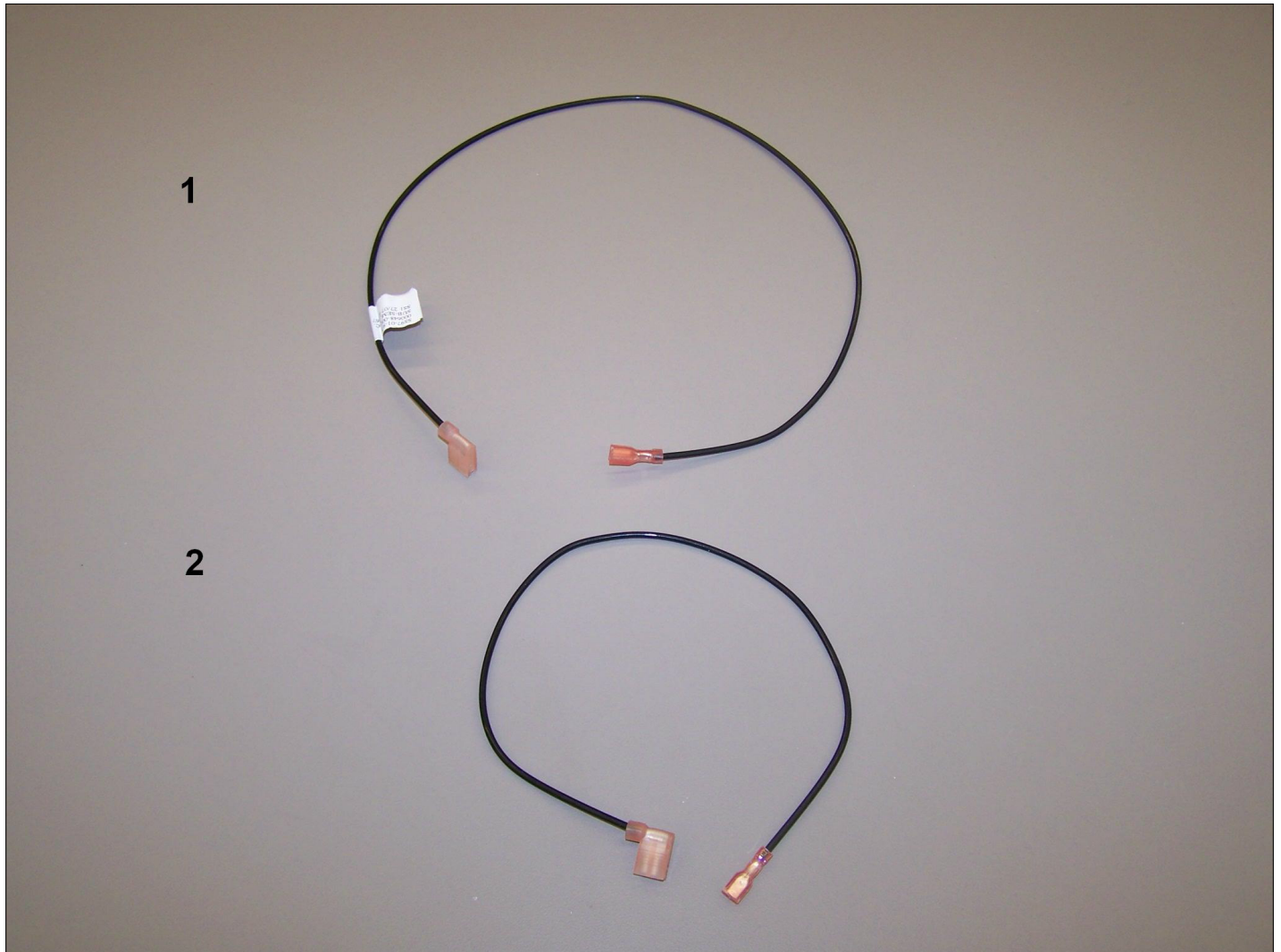
SURFACE COOKING AREA





Item	Part No.	Name	Qty	Uom	NOTES
1	PA060054	Burner Grate - BK	1	EA	
2	003208-000	12" SEALED GRIDDLE FRAME ASSY	1	EA	
3	PB050063	Burner Head	1	EA	
Not Shown	NOTE	(Before 12/18/07)		EA	
NI	018200-000	ADJUSTED SEALED BURNER HEAD	1	EA	
Not Shown	NOTE	(After 12/18/07)		EA	
4	B20012923	Side Trim - RH (SS)	1	EA	
4	C93012923BR	Side Trim - RH (BR)	1	EA	
5	PB050081	BURNER BASE ASM	1	EA	
Not Shown	NOTE	(INCLUDES IGNITER) - BEFORE 12/18/07		EA	
NI	003322-040	SEALED BURNER BASE, TURNED FINISH	1	EA	
Not Shown	NOTE	(INCLUDES IGNITER) - AFTER 12/18/07		EA	
6	E9108438BK	MAIN TOP (VGRT4G/Q) *BK*	1	EA	
6	E9108438WH	Main Top Assembly (4G / 4Q) - WH	1	EA	Not available online / Call for pricing and availability
7	B20012924	Side Trim - LH (SS)	1	EA	
7	C93012924BR	Side Trim - LH (BR)	1	EA	
8	A2007858	SIDE TRIM BRKT	1	EA	
9	PD020032	SRW-8(A)X3/8"PH.WFR HD 7/16DIA*NICL	1	EA	
10	PA010100	Burner Venturi	1	EA	
Not Shown	NOTE	(Before 12/18/07)		EA	
11	PA080083	D BURNER CAP *MATTE BLACK*	1	EA	
12	009197-000	#6-32 X 5/8 18-8 SS NC SOC CAP	1	EA	

TOP BURNER IGNITER WIRES





Item	Part No.	Name	Qty	Uom	NOTES
1	006766-000	IRIS IGNITOR WIRE, BACK BURNER	1	EA	
2	000647-000	IRIS IGNITOR WIRE, FRONT BURNER	1	EA	



Appendix A:Pages Index

001731-000 VGIC36-4G HARNESS 1
001754-000 POWER DISCONNECT HAR2
BAKE BURNER AREA 3
BAKE IGNITER WIRE 4
BROIL IGNITER WIRE 5
BROILER AREA6
BURNER BOX INTERIOR 7
CONTROL AREA8
DOOR ASSEMBLY 9
DRIP TRAY10
G4008493 SUPPLY CORD 11
GRIDDLE SUBASSEMBLY 12
LOWER UNIT AREA 13
MAIN OVEN CAVITY 14
PE070245 LIGHT EXT. HARNESS 15
PE070890 IRIS HARNESS16
REAR ELECTRONICS AND GAS FLOW17
REAR SHEET METAL 18
SURFACE COOKING AREA 19
TOP BURNER IGNITER WIRES 20



Appendix B:Parts Index

000075-000	9	000957-113	9
000090-000	9	000957-114	9
000268-000	9	000958-000	12
000447-000	8	000967-000	18
000447-006	8	000970-000	12
000448-000	8	000971-000	12
000448-006	8	000972-000	12
000594-000	9	001290-000	17
000647-000	20	001307-000	14
000863-000	17	001348-000	6
000919-000	17	001359-000	17
000921-000	6, 17	001362-000	17
000922-000	17	001363-000	17
000932-000	9	001394-042	7
000957-000	9	001394-043	7
000957-002	9	001396-000	7
000957-003	9	001398-000	9
000957-004	9	001399-000	9
000957-005	9	001450-000	17
000957-006	9	001731-000	1
000957-007	9	001754-000	2
000957-008	9	001914-000	5
000957-009	9	002158-000	8
000957-010	9	002561-000	9
000957-011	9	002562-000	9
000957-012	9	002884-000	8
000957-013	9	002888-000	7
000957-014	9	002889-000	7
000957-100	9	003083-000	14
000957-102	9	003143-000	4
000957-103	9	003208-000	19
000957-104	9	003226-000	17
000957-105	9	003322-040	19
000957-106	9	003517-000	8
000957-107	9	005311-000	14
000957-108	9	005990-000	7
000957-109	9	006200-000	3
000957-110	9	006766-000	20
000957-111	9	007147-000	8
000957-112	9	008091-000	12
		009197-000	19



013213-000	8	C90010179FG	13
018200-000	19	C90010179GG	13
050172-000	8	C90010179LE	13
068458-000	3	C90010179MJ	13
A1001138	8	C90010179SG	13
A1002596	14	C90010179VB	13
A1007861	12	C90010179WH	13
A2000210	7	C90010180AL	13
A20010657	12	C90010180BK	13
A20012922	13	C90010180BT	13
A20015329	9	C90010180BU	13
A2002189	9	C90010180CB	13
A2002367	9	C90010180EP	13
A2002497	9	C90010180FG	13
A2002595	14	C90010180GG	13
A2004424	3	C90010180LE	13
A2004428	13	C90010180MJ	13
A2004434	3	C90010180SG	13
A2004481	13	C90010180VB	13
A2005522	18	C90010180WH	13
A2005523	13	C9001504AL	13
A2007858	19	C9001504BK	13
A2007865	7	C9001504BT	13
A2008467	14	C9001504BU	13
B1007913	14	C9001504CB	13
B20010179	13	C9001504EP	13
B20010180	13	C9001504FG	13
B20012923	19	C9001504GG	13
B20012924	19	C9001504LE	13
B2001448	6	C9001504MJ	13
B2001504	13	C9001504SG	13
B2002798	9	C9001504VB	13
B2004415	3	C9001504WH	13
B2005589	6	C9002798AL	9
B9201281	8	C9002798BK	9
C90010179AL	13	C9002798BT	9
C90010179BK	13	C9002798BU	9
C90010179BT	13	C9002798CB	9
C90010179BU	13	C9002798EP	9
C90010179CB	13	C9002798FG	9
C90010179EP	13	C9002798GG	9



C9002798LE	9	PB040217	7
C9002798MJ	9	PB050063	19
C9002798SG	9	PB050074	12
C9002798VB	9	PB050081	19
C9002798WH	9	PB060030	14
C93012923BR	19	PB060045	14
C93012924BR	19	PC020188	9
E91012614	14	PC020223	9
E9108438BK	19	PC020295	14
E9108438WH	19	PC030017	13
G30010455	10	PC040010	7
G30010696	10	PD010003	8
G3001876	6	PD010012	8, 17
G3009151	8	PD010019	9
G4008493	11	PD020002	9
G9105513	14	PD020004	7, 8, 9, 12, 13, 14, 18
G93011459PVD	10	PD020013	14
J2101749	10	PD020014	17
M0210443	13, 14	PD020032	9, 19
PA010012	17	PD020033	8
PA010100	19	PD020044	8
PA020056	17	PD020046	8
PA020058	8	PD020048	3, 6, 14
PA050086	7	PD020060	3, 6, 13, 14, 17, 18
PA060054	19	PD020063	14
PA070003	8	PD020076	7
PA080075	7	PD020079	10
PA080083	19	PD030005	8
PB010206	8	PD030006	8, 9
PB010207	8	PD030018	6
PB010209	8	PD040004	10
PB020192	7	PD040028	10
PB020193	7	PE010030	9
PB040040	6	PE010031	9
PB040170	3	PE010068	9
PB040171	6	PE010076	9
PB040172	3	PE010081	8
PB040178	6	PE010082	8
PB040180	13	PE030001PVD	9
PB040190	12	PE030006	9
PB040194	7	PE030013PVD	9



PE050001	17
PE050005	14
PE050016	8
PE050017	8
PE050023	8
PE050024	8
PE050206	6, 12
PE060030	9
PE060031	9
PE060039	9
PE060045	9
PE070245	15
PE070890	16
PK000007	7
PK000008	7