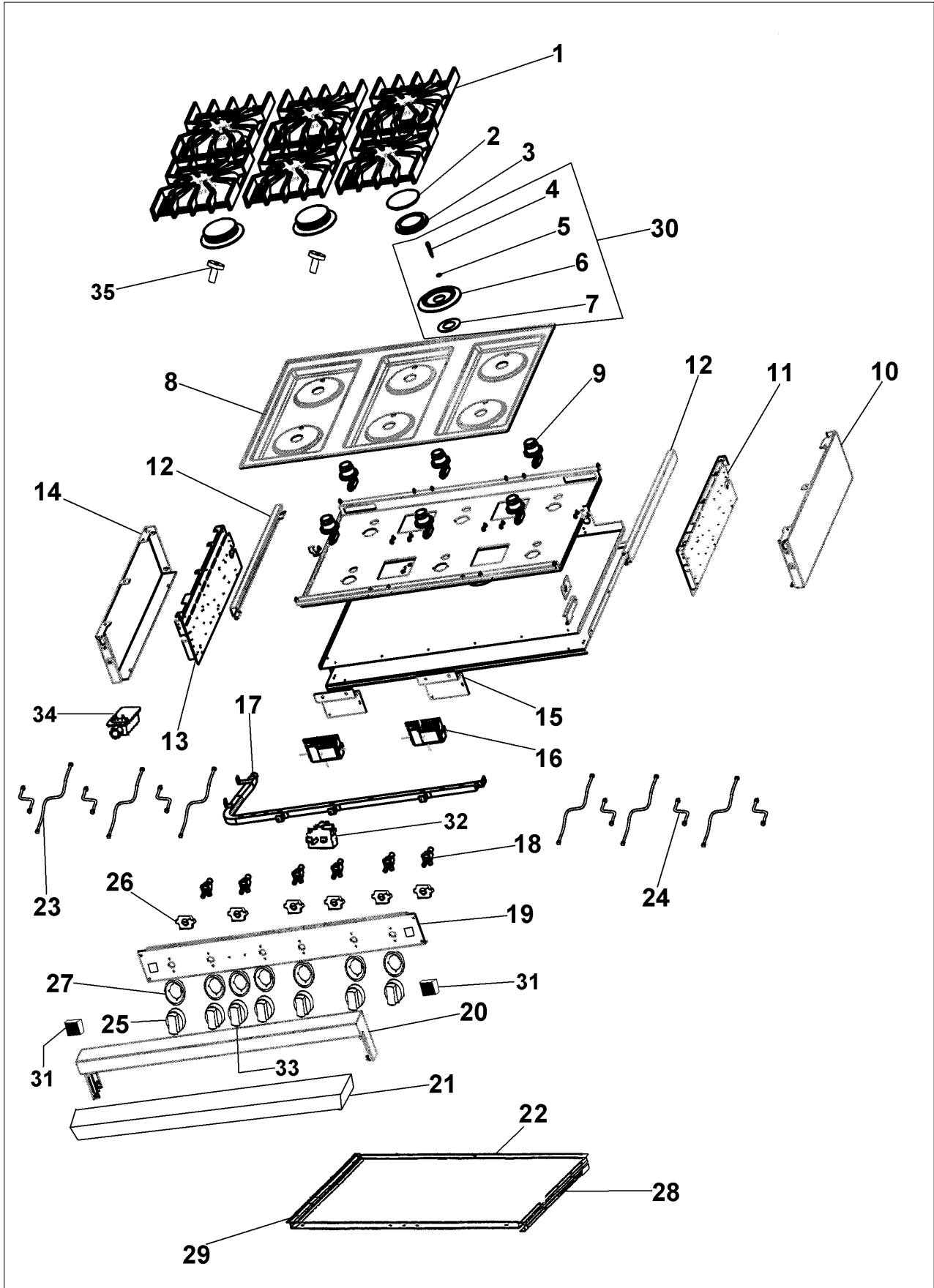


VGIC367

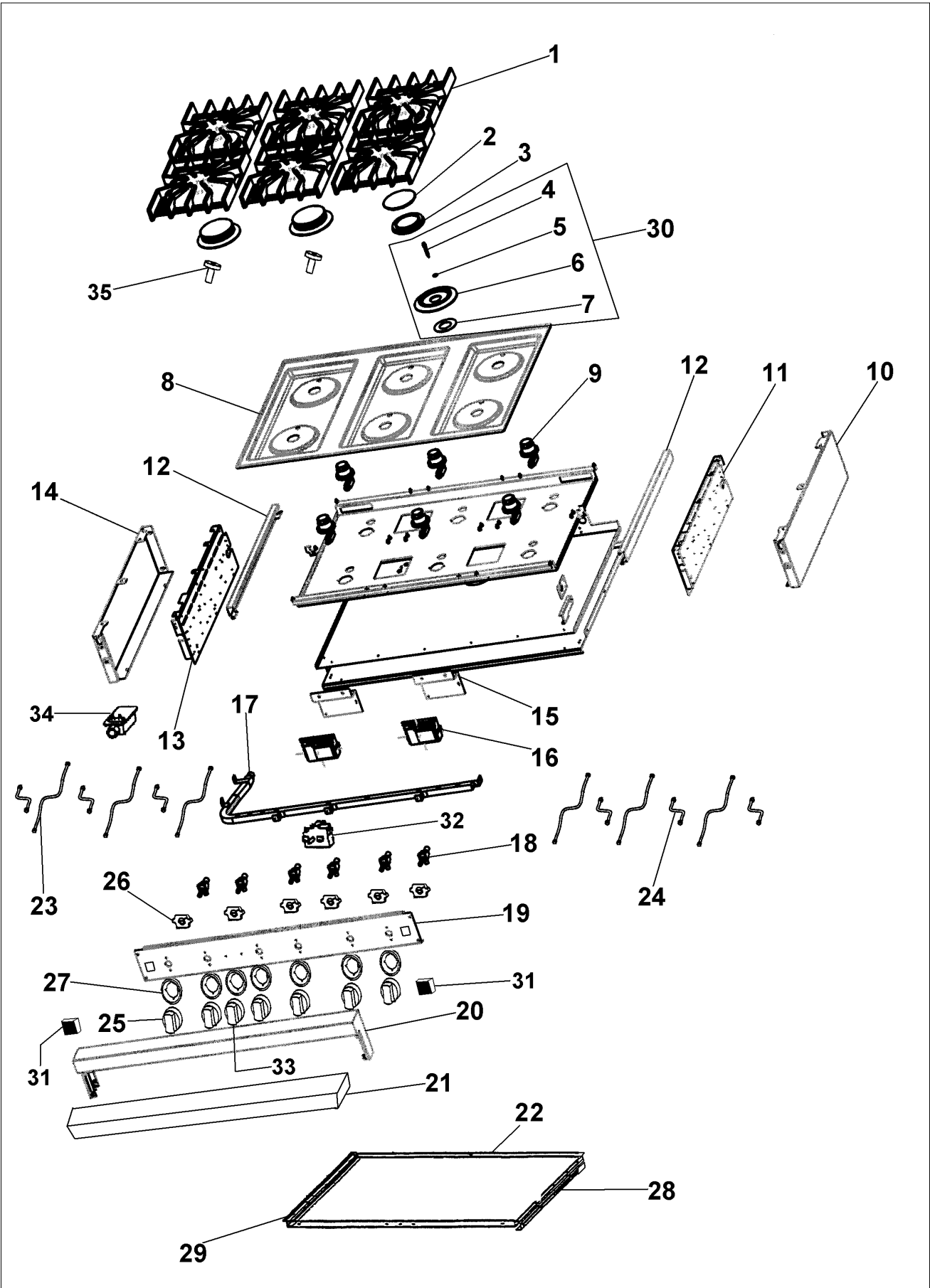
BURNER BOX ASSY	1
DOOR ASSY	2
GAS - ELECTRIC	3
GRIDDLE ASSY	4
GRILL ASSY	5
PANEL - OVEN	6
Appendix A:Pages Index	A
Appendix B:Parts Index	B

BURNER BOX ASSY

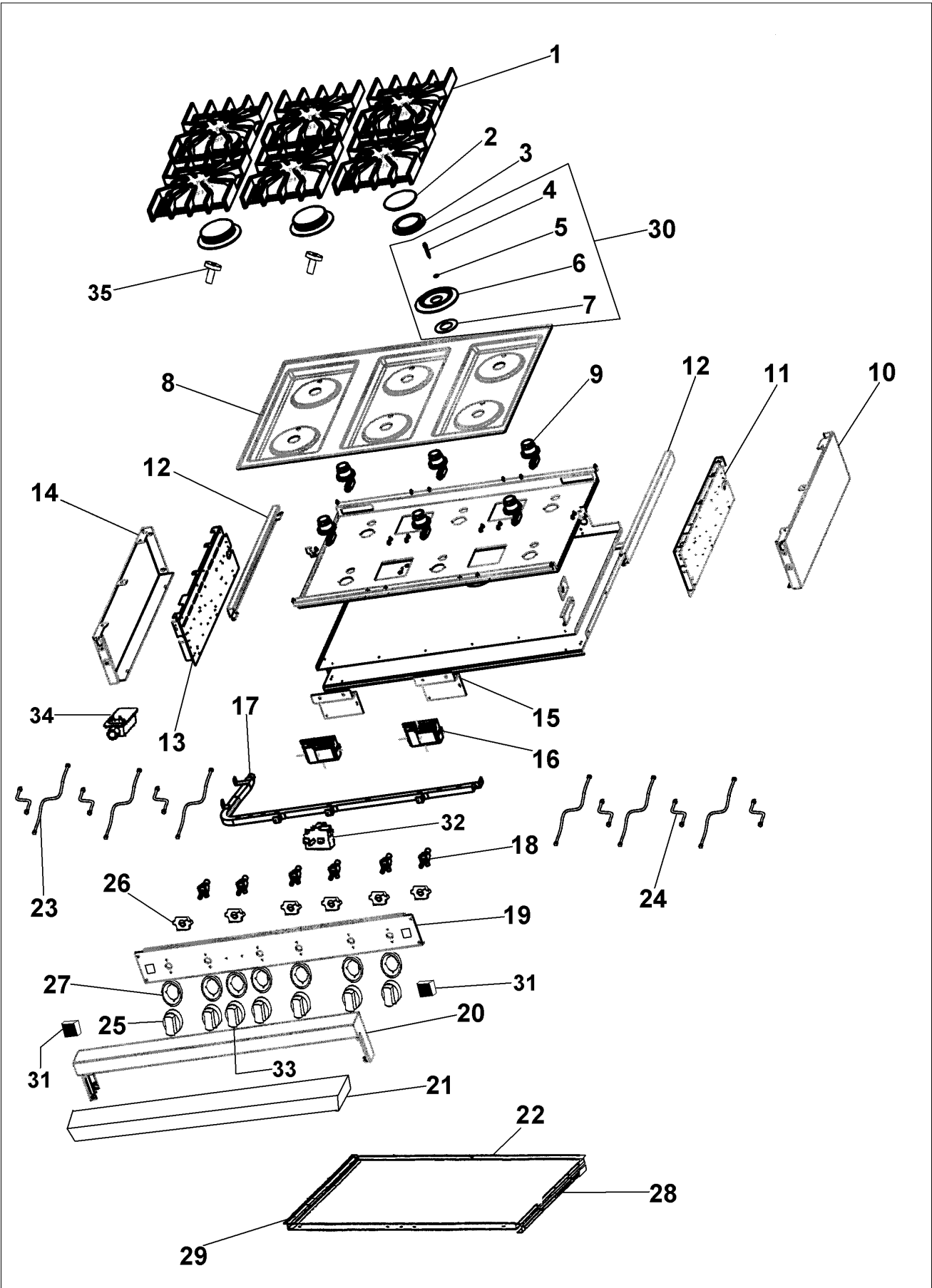




Item	Part No.	Name	Qty	Uom	NOTES
1	PA060054	Burner Grate - BK		EA	
1	PA060062	Burner Grate - GR		EA	
2	PA080083	D BURNER CAP *MATTE BLACK*		EA	
2	PA080086	Burner Cap - GR		EA	
3	PB050063	Burner Head		EA	
4	PB050081	BURNER BASE ASM		EA	
5	Order Igniter	N/A		EA	
6	PB050081	BURNER BASE ASM		EA	
7	PB050081	BURNER BASE ASM		EA	
8	G3209546	Main Top Assy. (6B) - BK		EA	
Not Shown	NOTE	(Before 8/4/03)		EA	
8	G3209546AL	Main Top Assy. (6B) - AL		EA	Not available online / Call for pricing and availability
Not Shown	NOTE	(Before 8/4/03)		EA	
8	G3209546BT	Main Top Assy. (6B) - BT		EA	Not available online / Call for pricing and availability
Not Shown	NOTE	(Before 8/4/03)		EA	
8	G3209546CB	Main Top Assy. (6B) - CB		EA	Not available online / Call for pricing and availability
Not Shown	NOTE	(Before 8/4/03)		EA	
8	G3209546EP	Main Top Assy. (6B) - EP		EA	Not available online / Call for pricing and availability
Not Shown	NOTE	(Before 8/4/03)		EA	
8	G3209546FG	Main Top Assy. (6B) - FG		EA	Not available online / Call for pricing and availability
Not Shown	NOTE	(Before 8/4/03)		EA	

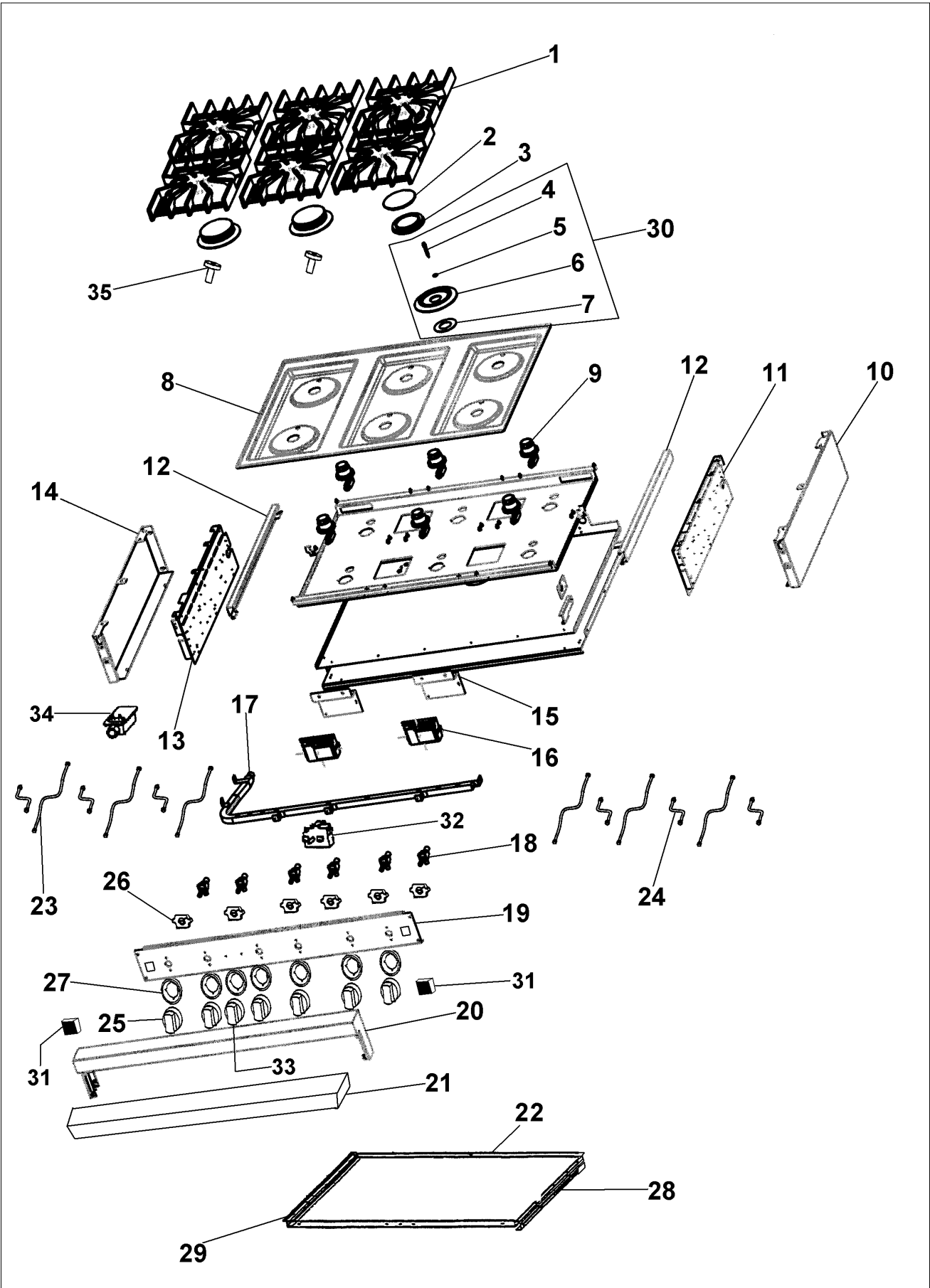


Item	Part No.	Name	Qty	Uom	NOTES
8	G3209546GG	Main Top Assy. (6B) - GG		EA	Not available online / Call for pricing and availability
Not Shown	NOTE	(Before 8/4/03)		EA	
8	G3209546LE	Main Top Assy. (6B) - LE		EA	Not available online / Call for pricing and availability
Not Shown	NOTE	(Before 8/4/03)		EA	
8	G3209546MJ	Main Top Assy. (6B) - MJ		EA	Not available online / Call for pricing and availability
Not Shown	NOTE	(Before 8/4/03)		EA	
8	G3209546SG	Main Top Assy. (6B) - SG		EA	Not available online / Call for pricing and availability
Not Shown	NOTE	(Before 8/4/03)		EA	
8	G3209546VB	Main Top Assy. (6B) - VB		EA	Not available online / Call for pricing and availability
Not Shown	NOTE	(Before 8/4/03)		EA	
8	G3209546WH	Main Top Assy. (6B) - WH		EA	Not available online / Call for pricing and availability
Not Shown	NOTE	(Before 8/4/03)		EA	
8	E9108439AL	Main Top Assembly (6B) - AL		EA	Not available online / Call for pricing and availability
Not Shown	NOTE	(After 8/4/03)		EA	
8	E9108439BK	MAIN TOP (VGRT3626B) *BK*		EA	
Not Shown	NOTE	(On or After 8/4/03)		EA	
8	E9108439BT	Main Top Assembly (6B) - BT		EA	Not available online / Call for pricing and availability



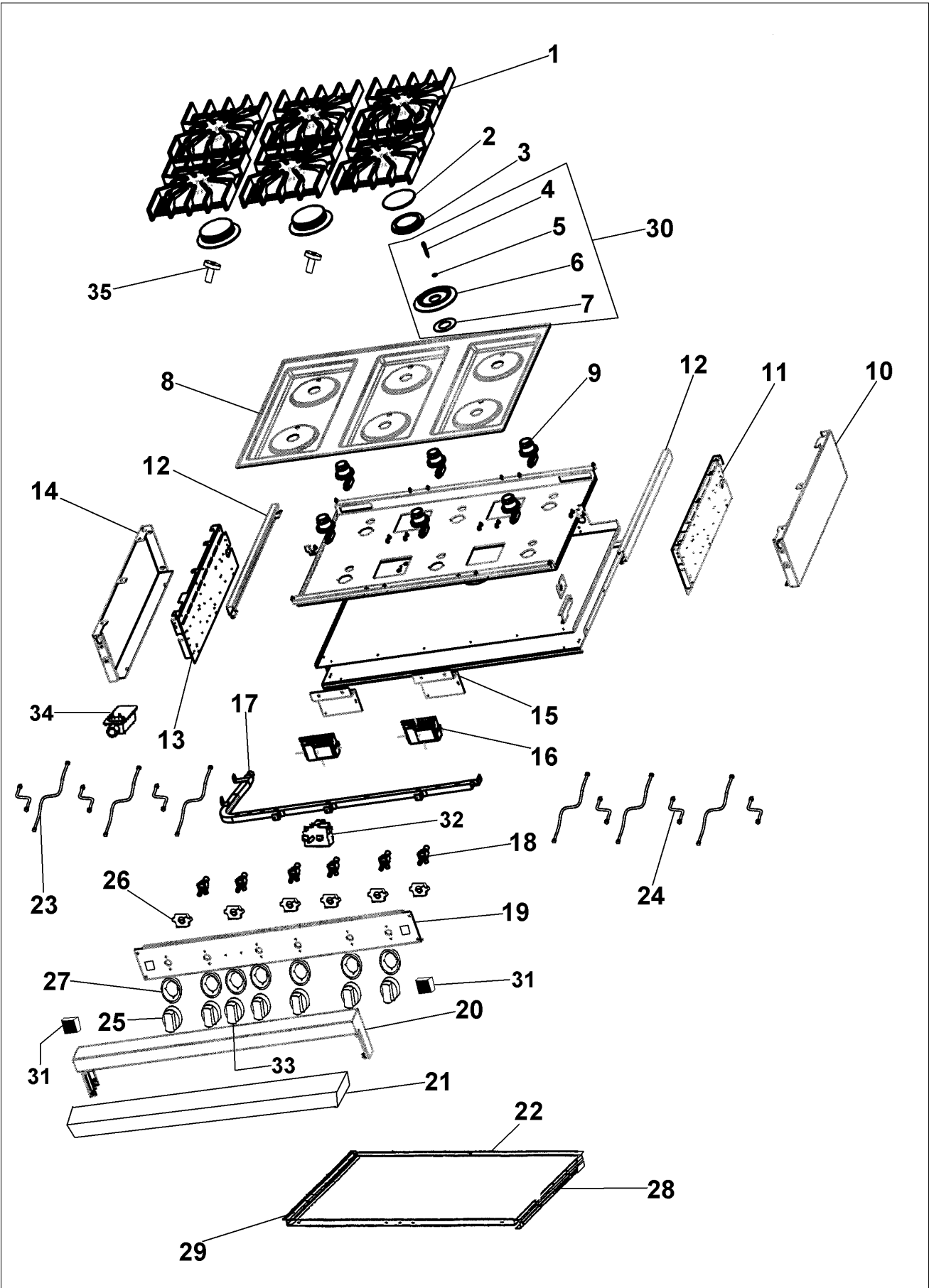


Item	Part No.	Name	Qty	Uom	NOTES
Not Shown	NOTE	(On or After 8/4/03)		EA	
8	E9108439CB	Main Top Assembly (6B) - CB		EA	Not available online / Call for pricing and availability
Not Shown	NOTE	(On or After 8/4/03)		EA	
8	E9108439EP	Main Top Assembly (6B) - EP		EA	Not available online / Call for pricing and availability
Not Shown	NOTE	(On or After 8/4/03)		EA	
8	E9108439FG	Main Top Assembly (6B) - FG		EA	Not available online / Call for pricing and availability
Not Shown	NOTE	(On or After 8/4/03)		EA	
8	E9108439GG	Main Top Assembly (6B) - GG		EA	
Not Shown	NOTE	(On or After 8/4/03)		EA	
8	E9108439LE	Main Top Assembly (6B) - LE		EA	Not available online / Call for pricing and availability
Not Shown	NOTE	(On or After 8/4/03)		EA	
8	E9108439MJ	Main Top Assembly (6B) - MJ		EA	Not available online / Call for pricing and availability
Not Shown	NOTE	(On or After 8/4/03)		EA	
8	E9108439SG	Main Top Assembly (6B) - SG		EA	Not available online / Call for pricing and availability
Not Shown	NOTE	(On or After 8/4/03)		EA	
8	E9108439VB	Main Top Assembly (6B) - VB		EA	Not available online / Call for pricing and availability
Not Shown	NOTE	(On or After 8/4/03)		EA	

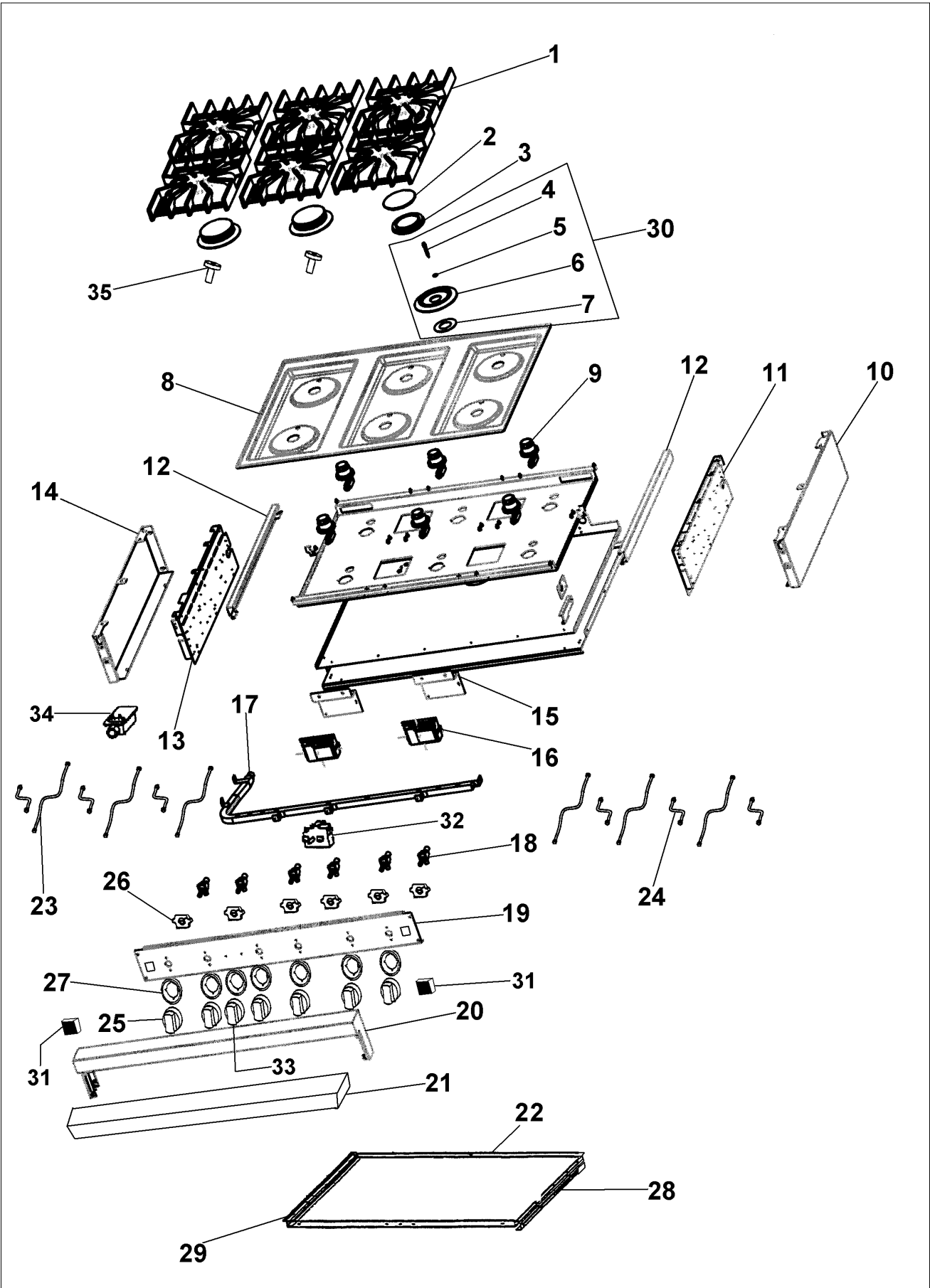




Item	Part No.	Name	Qty	Uom	NOTES
8	E9108439WH	Main Top Assembly (6B) - WH - NLA		EA	
Not Shown	NOTE	(On or After 8/4/03)		EA	
8	G3209547BK	MAIN TOP ASSY. (4G/4Q) - BK		EA	Not available online / Call for pricing and availability
Not Shown	NOTE	(Before 8/4/03)		EA	
8	G3209547AL	Main Top Assy. (4G/4Q) - AL		EA	Not available online / Call for pricing and availability
Not Shown	NOTE	(Before 8/4/03)		EA	
8	G3209547BT	Main Top Assy. (4G/4Q) - BT		EA	Not available online / Call for pricing and availability
Not Shown	NOTE	(Before 8/4/03)		EA	
8	G3209547CB	Main Top Assy. (4G/4Q) - CB		EA	Not available online / Call for pricing and availability
Not Shown	NOTE	(Before 8/4/03)		EA	
8	G3209547EP	Main Top Assy. (4G/4Q) - EP		EA	Not available online / Call for pricing and availability
Not Shown	NOTE	(Before 8/4/03)		EA	
8	G3209547FG	Main Top Assy. (4G/4Q) - FG		EA	Not available online / Call for pricing and availability
Not Shown	NOTE	(Before 8/4/03)		EA	
8	G3209547GG	Main Top Assy. (4G/4Q) - GG		EA	Not available online / Call for pricing and availability
Not Shown	NOTE	(Before 8/4/03)		EA	

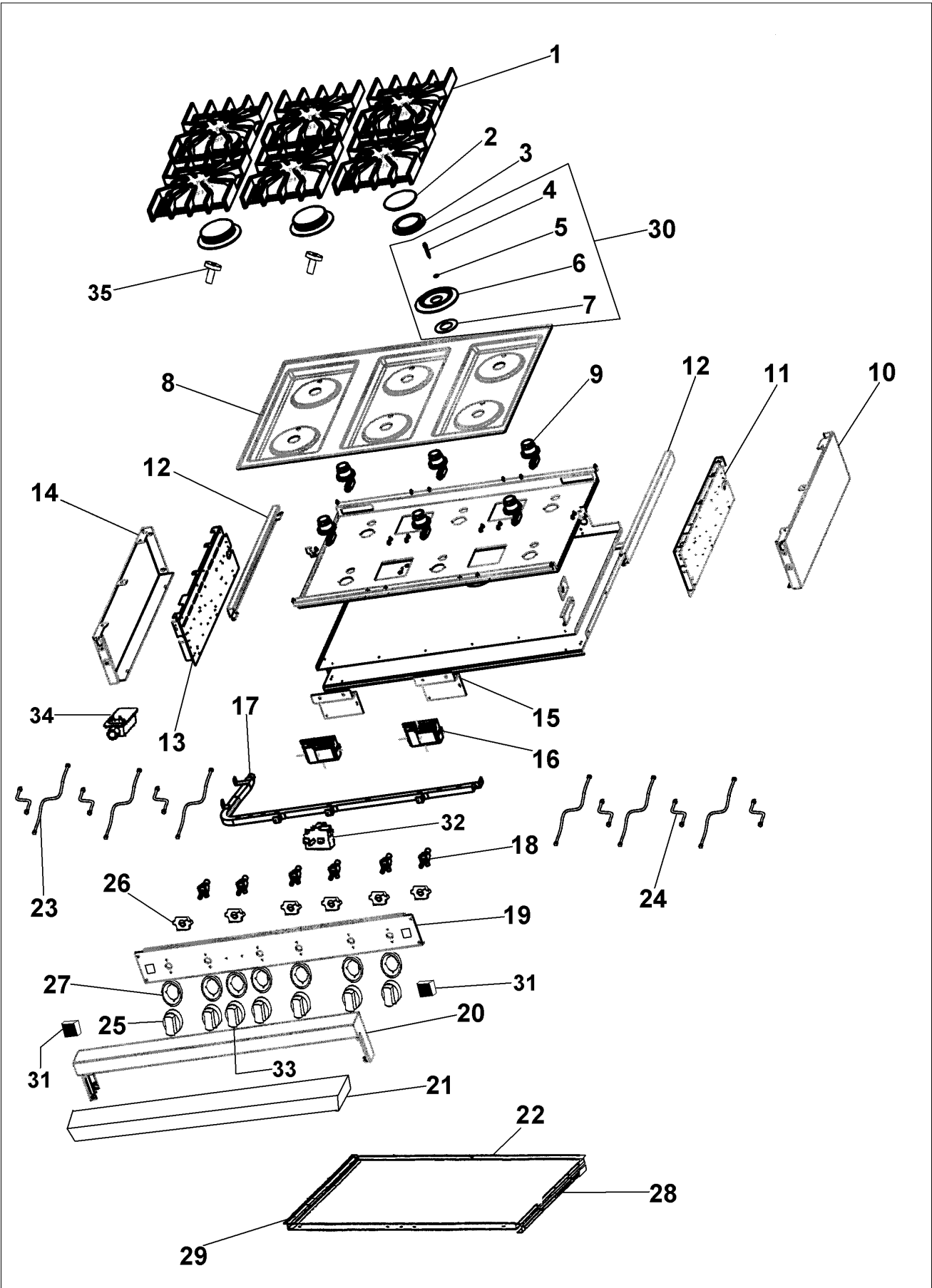


Item	Part No.	Name	Qty	Uom	NOTES
8	G3209547LE	Main Top Assy. (4G/4Q) - LE		EA	Not available online / Call for pricing and availability
Not Shown	NOTE	(Before 8/4/03)		EA	
8	G3209547MJ	Main Top Assy. (4G/4Q) - MJ		EA	Not available online / Call for pricing and availability
Not Shown	NOTE	(Before 8/4/03)		EA	
8	G3209547SG	Main Top Assy. (4G/4Q) - SG		EA	Not available online / Call for pricing and availability
Not Shown	NOTE	(Before 8/4/03)		EA	
8	G3209547VB	Main Top Assy. (4G/4Q) - VB		EA	Not available online / Call for pricing and availability
Not Shown	NOTE	(Before 8/4/03)		EA	
8	G3209547WH	Main Top Assy. (4G/4Q) - WH		EA	Not available online / Call for pricing and availability
Not Shown	NOTE	(Before 8/4/03)		EA	
8	E9108438BK	MAIN TOP (VGRT4G/Q) *BK*		EA	
Not Shown	NOTE	(On or After 8/4/03)		EA	
8	E9108438AL	Main Top Assembly (4G / 4Q) - AL		EA	Not available online / Call for pricing and availability
Not Shown	NOTE	(On or After 8/4/03)		EA	
8	E9108438BT	Main Top Assembly (4G / 4Q) - BT		EA	Not available online / Call for pricing and availability
Not Shown	NOTE	(On or After 8/4/03)		EA	
8	E9108438CB	Main Top Assembly (4G / 4Q) - CB		EA	Not available online / Call for pricing and availability



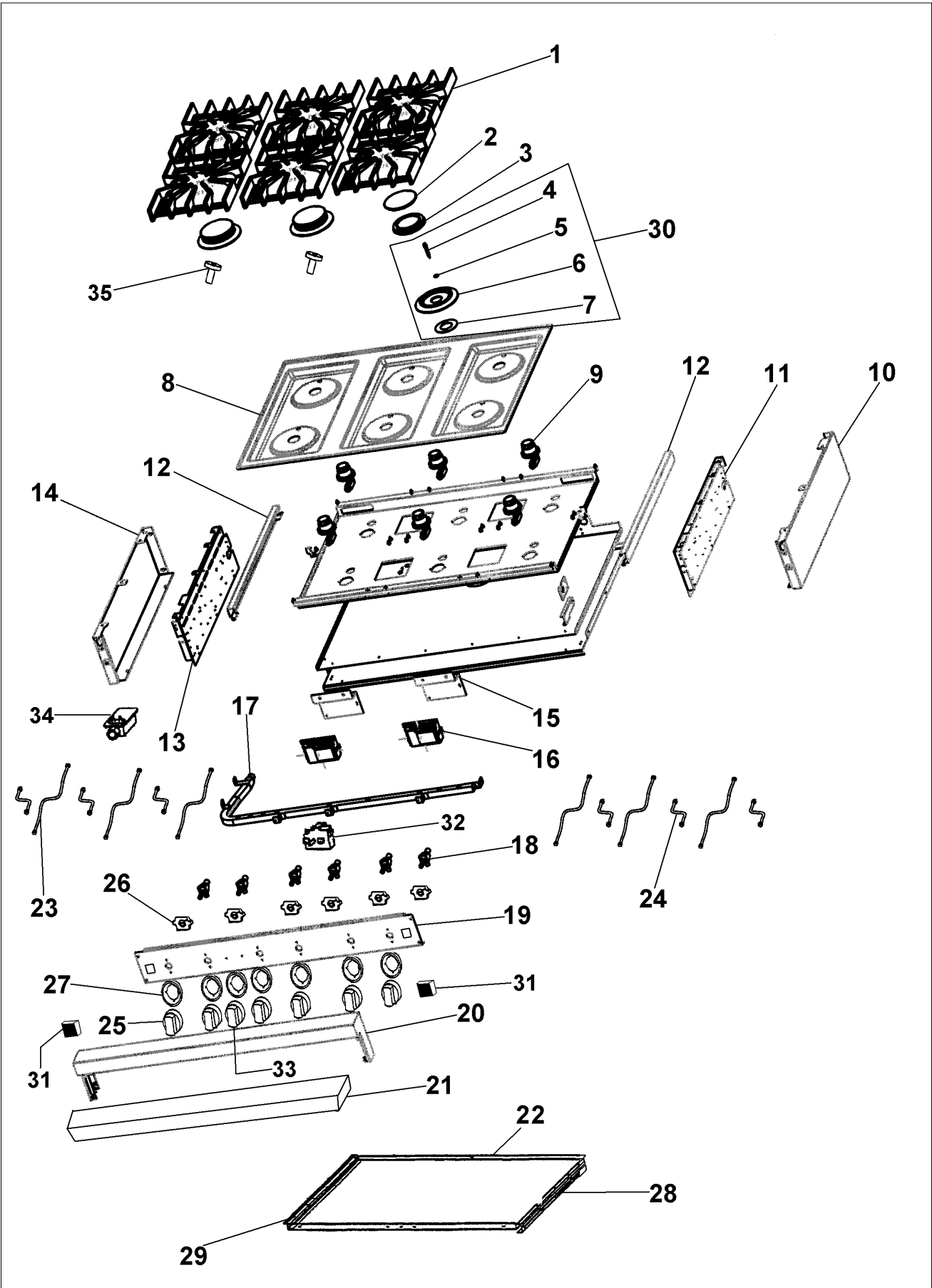


Item	Part No.	Name	Qty	Uom	NOTES
Not Shown	NOTE	(On or After 8/4/03)		EA	
8	E9108438EP	Main Top Assembly (4G / 4Q) - EP		EA	Not available online / Call for pricing and availability
Not Shown	NOTE	(On or After 8/4/03)		EA	
8	E9108438FG	Main Top Assembly (4G / 4Q) - FG		EA	Not available online / Call for pricing and availability
Not Shown	NOTE	(On or After 8/4/03)		EA	
8	E9108438GG	Main Top Assembly (4G / 4Q) - GG		EA	Not available online / Call for pricing and availability
Not Shown	NOTE	(On or After 8/4/03)		EA	
8	E9108438LE	Main Top Assembly (4G / 4Q) - LE		EA	Not available online / Call for pricing and availability
Not Shown	NOTE	(On or After 8/4/03)		EA	
8	E9108438MJ	Main Top Assembly (4G / 4Q) - MJ		EA	Not available online / Call for pricing and availability
Not Shown	NOTE	(On or After 8/4/03)		EA	
8	E9108438SG	Main Top Assembly (4G / 4Q) - SG		EA	Not available online / Call for pricing and availability
Not Shown	NOTE	(On or After 8/4/03)		EA	
8	E9108438VB	Main Top Assembly (4G / 4Q) - VB		EA	Not available online / Call for pricing and availability
Not Shown	NOTE	(On or After 8/4/03)		EA	
8	E9108438WH	Main Top Assembly (4G / 4Q) - WH		EA	Not available online / Call for pricing and availability



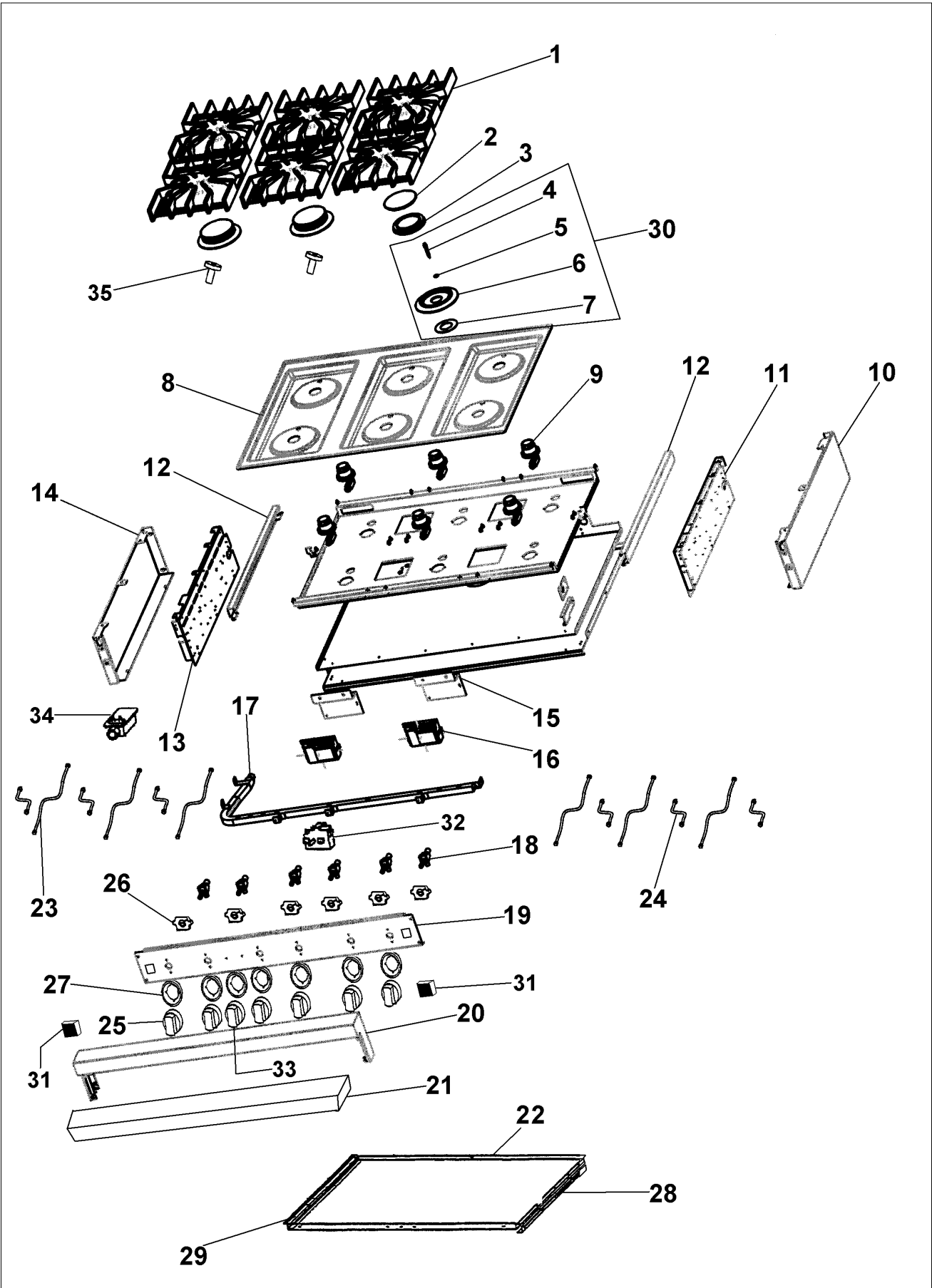


Item	Part No.	Name	Qty	Uom	NOTES
Not Shown	NOTE	(On or After 8/4/03)		EA	
9	PA080075	Burner Body		EA	
10	B2007856	Side Panel - RH		EA	
11	A2006747	Burner Box Side - RH		EA	
12	B2006724	SEALED TOPSIDE TRIM		EA	
Not Shown	NOTE	(Before 8/4/03)		EA	
12	C9306724BR	SEALED TRIM RH *BR*		EA	NO LONGER AVAILABLE
Not Shown	NOTE	(Before 8/4/03)		EA	
12	B2007868	IC SEALED SIDE TRIM		EA	
Not Shown	NOTE	(On or After 8/4/03)		EA	
12	C9307868BR	IC SEALED SIDE TRIM *BR*		EA	
Not Shown	NOTE	(On or After 8/4/03)		EA	
13	A2006748	Burner Box Side - LH		EA	
14	B2007857	Side Panel - LH		EA	
15	A2007855	Spark Module Bracket		EA	
16	PA020048	Spark Module (6B /6G/ 4Q)		EA	
16	PA020047	INVENSYS 0+4 RE-IGNITION SPARK MODULE		EA	
17	002158-000	36" UNIVERSAL MANIFOLD		EA	
18	G50012679	Top Burner Valve Kit		EA	
Not Shown	NOTE	(BEFORE 02/23/05)		EA	
18	003517-000	PA010158 VALVE AND BOLT KIT		EA	
Not Shown	NOTE	(ON OR AFTER 02/23/05)		EA	
NI	PB040194	Orifice - Nat.		EA	
19	B9202370	CTRL PAN- (VGRC365-6B) *SLK SCR*		EA	
19	B9201281	CTRL PAN - VGRC365-4G *SLK SCR*		EA	
19	B9202371	CTRL PAN- (VGRC365-4Q) *SLK SCR*		EA	



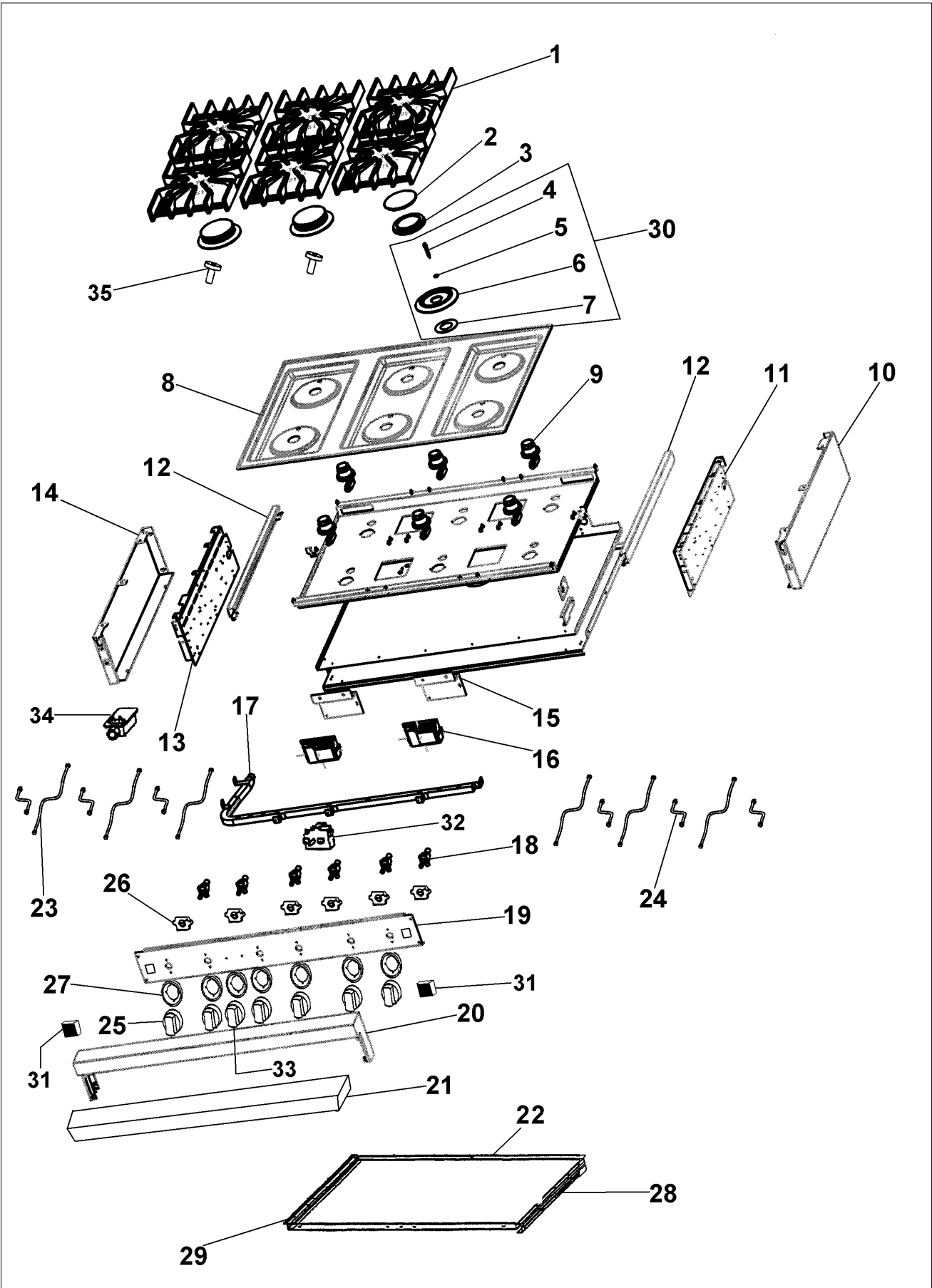


Item	Part No.	Name	Qty	Uom	NOTES
20	G3009151	Landing Ledge Assembly		EA	
21	B30011469	False Tray Handle - 6B (SS)		EA	
21	G93011459PVD	False Tray Handle - 6B (BR) - NLA		EA	
21	G30010696	DRIP TRAY HANDLE ASSY 36"		EA	
22	G3009719	Drip Tray Assembly, NLA		EA	Not available online / Call for pricing and availability
Not Shown	NOTE	(4G/4Q Only)		EA	
23	PB020193	16" FLEX TUBING W/CONNECTORS		EA	
24	PB020192	10" FLEX TUBING W/CONNECTORS		EA	
25	PB010206	TOP BURNER KNOB BK		EA	
25	PB010207	TOP BURNER KNOB WH		EA	Not available online / Call for pricing and availability
NI	PA020029	Switch Spacer		EA	
26	PA020015	Spark Ignition Switch		EA	
Not Shown	NOTE	(Before 2/23/05)		EA	
26	PA020045	Spark Ignition Switch		EA	
Not Shown	NOTE	(ON OR AFTER 2/23/05)		EA	
NI	PE070070	Disconnect Block - Male		EA	
NI	PE070071	Disconnect Block - Female		EA	
NI	PE070128	Supply Cord		EA	
NI	PA070003	PRESSURE REGULATOR		EA	
27	050172-000	BEZEL, KNOB		EA	
27	PB010209	Bezel - BR		EA	
28	PK000008	Drip Tray Guide - RH		EA	NO LONGER AVAILABLE
29	PK000009	Drip Tray Guide - LH		EA	
30	G3206741	BURNER BASE / IGNITER ASSY		EA	





Item	Part No.	Name	Qty	Uom	NOTES
Comments for Part Num. G3206741					
bradleysapplianceservice@shaw.ca on Apr 11, 2016					
SUBS TO: PB050081 SEALED BURNER BASE WITH IGNITER					
NI	PS510002	GREASE PAN (REPLACES PB080011)		EA	
31	PE050016	OVEN LIGHT SWITCH - *BK* (WES-GAR)		EA	
31	PE050017	OVEN LIGHT SWITCH - *WH* (WES-GAR)		EA	
32	PB010036	THERMOSTAT BAKE/BROIL		EA	
33	PB010099	T/STAT B/B KNOB BK REPL PB010039BK*		EA	
Comments for Part Num. PB010099					
imardr@att.net on Nov 8, 2015					
need to list the white knob for a VGIC3054BWH					
Reply by bradleysapplianceservice@shaw.ca on Sep 30, 2016					
The White Knobs are NLA. Only Black are available.					
bradleysapplianceservice@shaw.ca on Sep 30, 2016					
THE WHITE KNOBS ARE NLA. ONLY BLACK KNOBS ARE AVAILABLE.					
33	PB010100	THERMOSTAT BAKE/BROIL KNOB *WH* N/S		EA	
34	PB010083	SINGLE THERMAL VALVE LH (OVEN)		EA	
NI	G50013870	VGIC367-6B BURNER SUPPORT SERVICE KIT		EA	NO LONGER AVAILABLE
NI	G50013871	VGIC367-4Q BURNER SUPPORT SERVICE KIT		EA	NO LONGER AVAILABLE
NI	G50013872	VGIC367-4G BURNER SUPPORT SERVICE KIT		EA	NO LONGER AVAILABLE
35	PA010100	Burner Venturi		EA	
NI	PE050023	OVEN IND. LIGHT (LENS & BEZEL)		EA	
NI	PE050024	OVEN IND. LIGHT (LIGHT HOUSING)		EA	



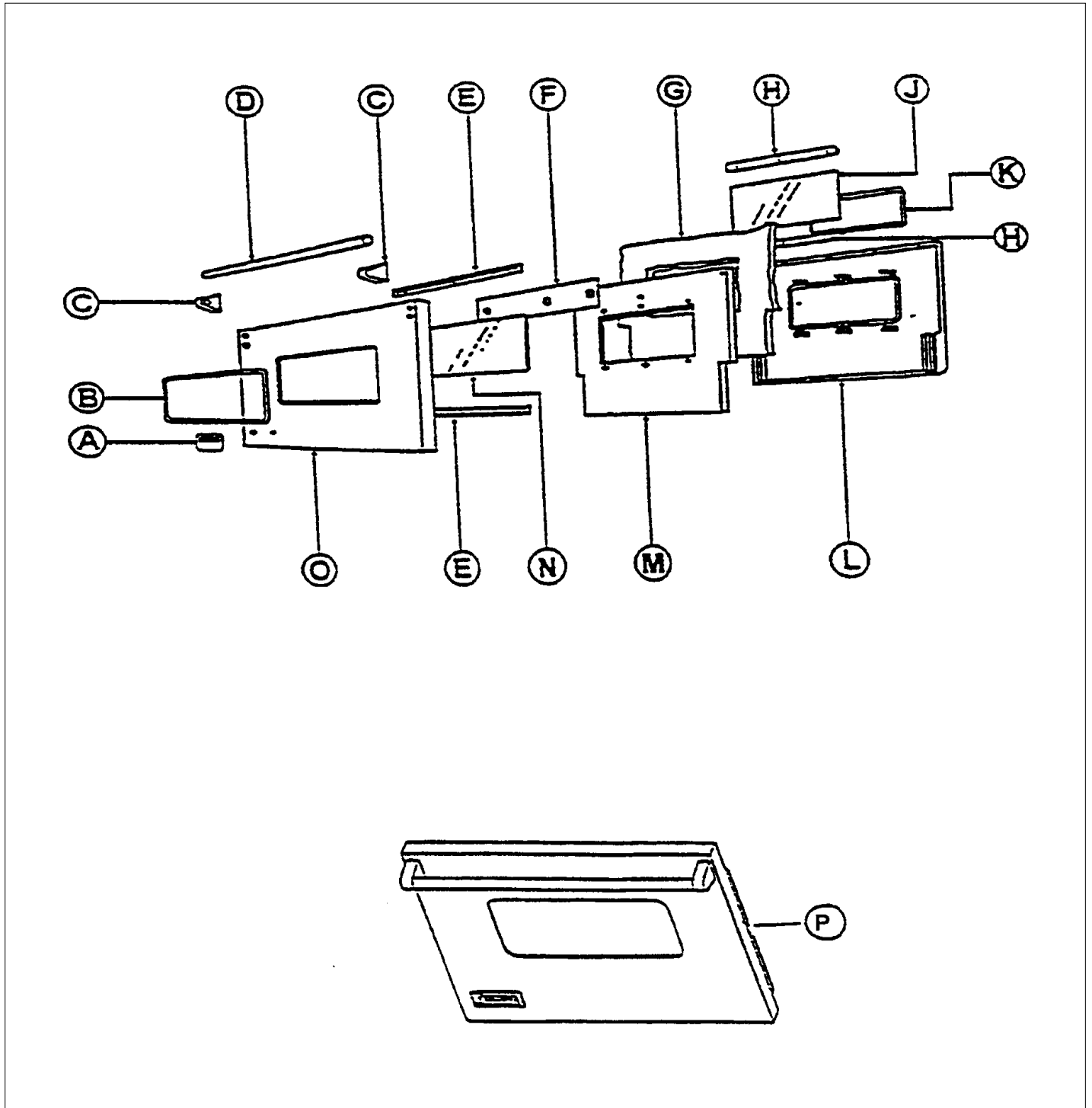


Item	Part No.	Name	Qty	Uom	NOTES
Comments for Part Num. PE050024					
haarnink@vikingrange.com on Jan 14, 2019 please note that the indicator light is now part 043135-000 but needs the Jumper harness 051443-000. and second option there are units in the field with a 230V indicator light part number 036566-000.					
please check this for all "E" module ranges/Tops					

Comments for Page: BURNER BOX ASSY

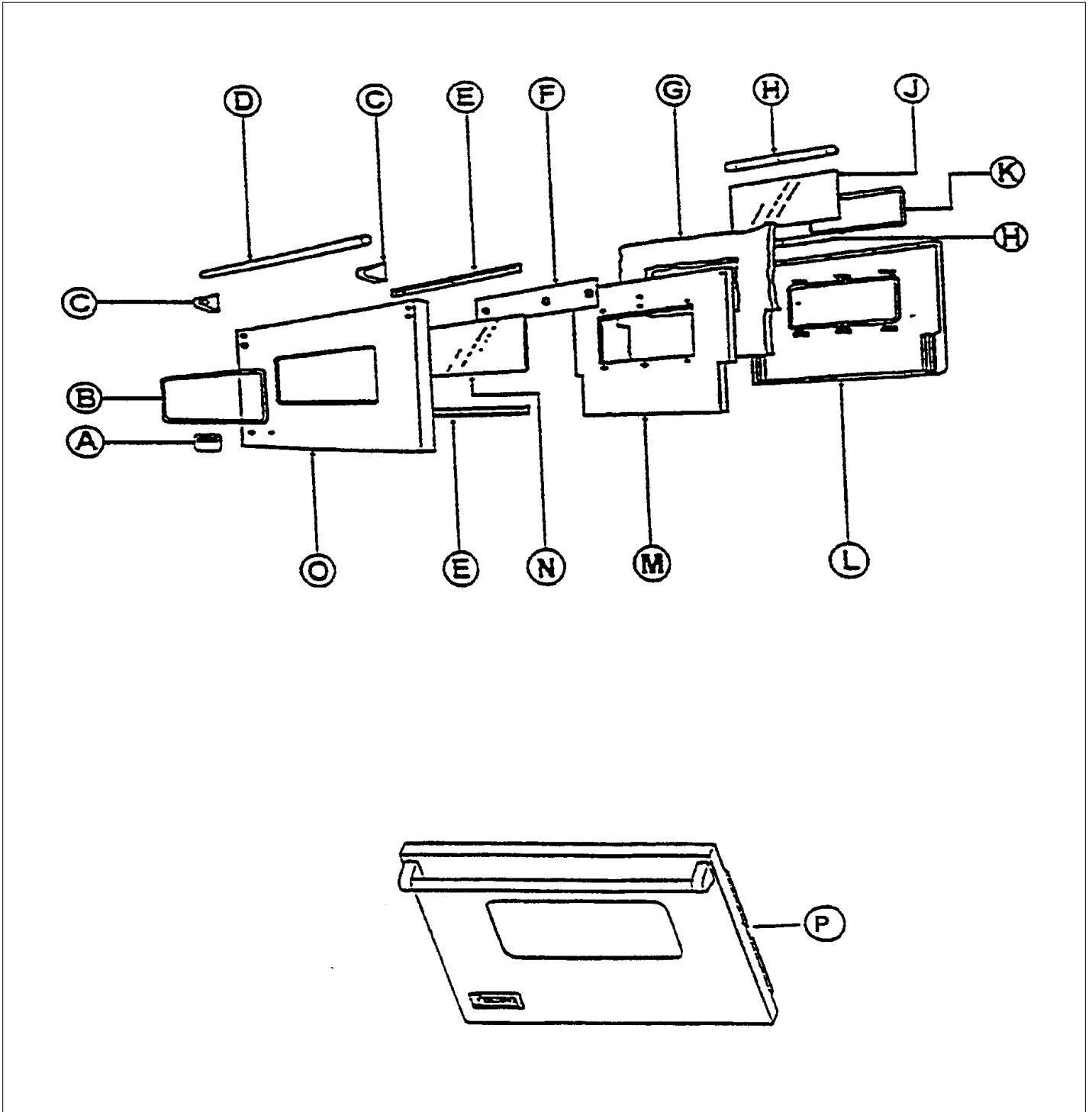
parts@lvdistributes.com on Oct 10, 2015
use Module PA020042 OR PA020048

DOOR ASSY



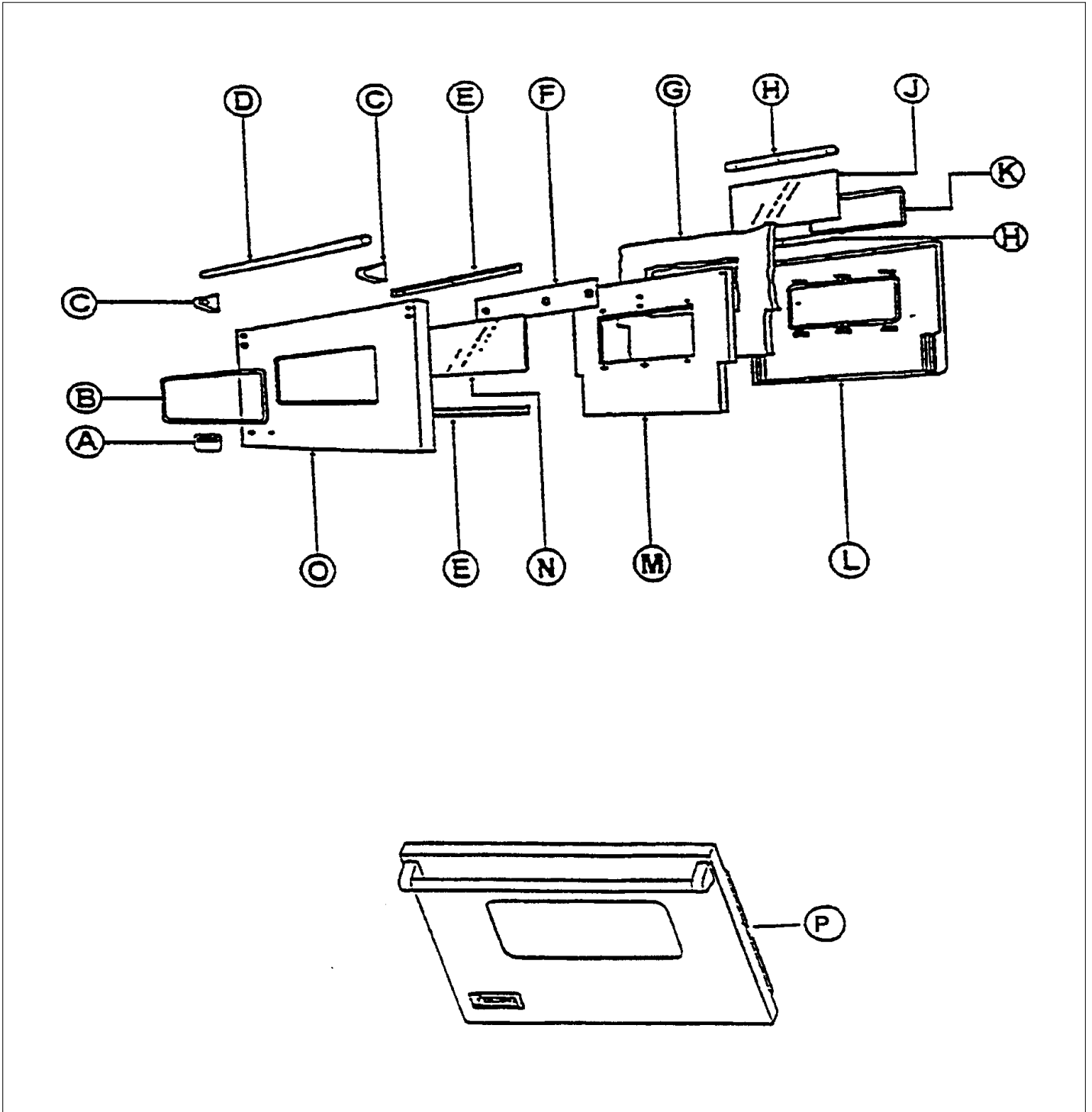


Item	Part No.	Name	Qty	Uom	NOTES
A	PE010030	LOGO	1	EA	
A	PE010031	LOGO 6" (VGRC) *BK/WH*	1	EA	NO LONGER AVAILABLE
A	PE010068	LOGO 6" (VGRC) BK/BR	1	EA	
A	PE010076	LOGO 6" (VGRC) *BR/WH*	1	EA	NO LONGER AVAILABLE
B	PE060007	J-MOLD (1" RADIUS)	1	EA	
B	PE060020	J-MOLD (VGSO OVN DOOR) *BR*	1	EA	
C	000268-000	HANDLE ENDCAP	1	EA	
C	PE030001PVD	END CAP DOOR HANDLE *BR	1	EA	
D	PE030006	DOOR HANDLE - 36" (VGRC)	1	EA	
D	PE030013PVD	DOOR HANDLE (36") PVD - NLA	1	EA	NO LONGER AVAILABLE
E	A2001447	OUTER DOOR GLASS RETAINER	1	EA	
F	A1001381	DOOR HEAT BAFFLE (VGSC/VGSS)	1	EA	
G	PB070034	INSULATION-TRS-10 1" X 20" X 77' ROLL	1	EA	
H	A2001480	INNER DOOR GLASS RETAINER	1	EA	
J	PE060008	GLASS REPL PE060009	1	EA	
K	PB070014	DOOR GLASS SEAL STRIP - WINDOW DRS.	1	EA	
L	H9101988	DOOR LINER ASSY W/W (VGSS36)	1	EA	
M	G3004865	DOOR INSUL. RETAINER ASSY(VGIC36)	1	EA	Not available online / Call for pricing and availability
N	PE060018	OVEN GLASS- TEMPERED,SCREENED*BK*	1	EA	
O	H3009179	OVEN DOOR PANEL WELD ASSY 36" SS	1	EA	
O	H9009180AL	OVEN DOOR PANEL ASSY 36" *AL*	1	EA	NO LONGER AVAILABLE
O	H9009180BK	OVEN DOOR PANEL ASSY 36" *BK*	1	EA	
O	H9009180BT	OVEN DOOR PANEL ASSY 36" *BT*	1	EA	

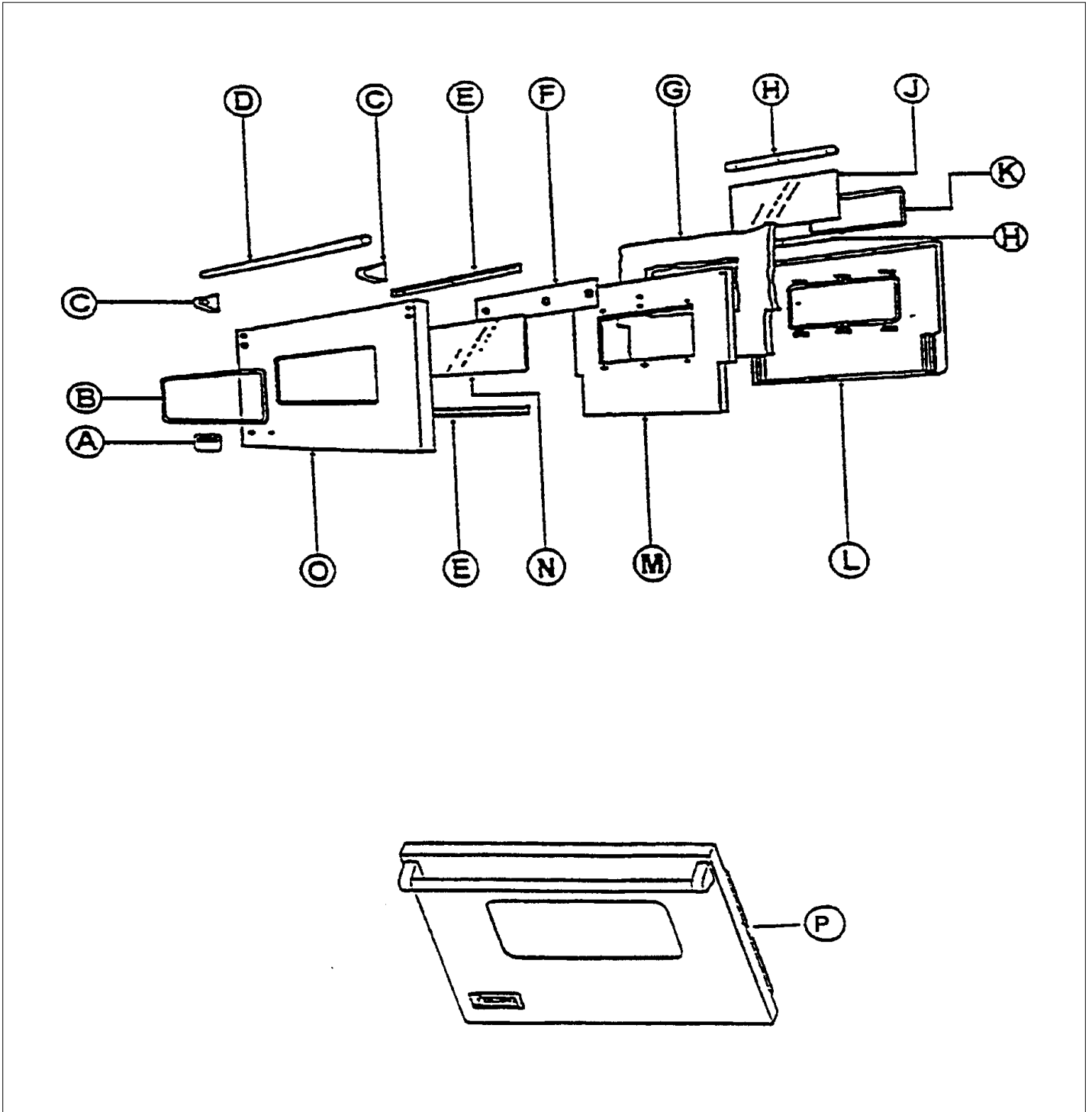




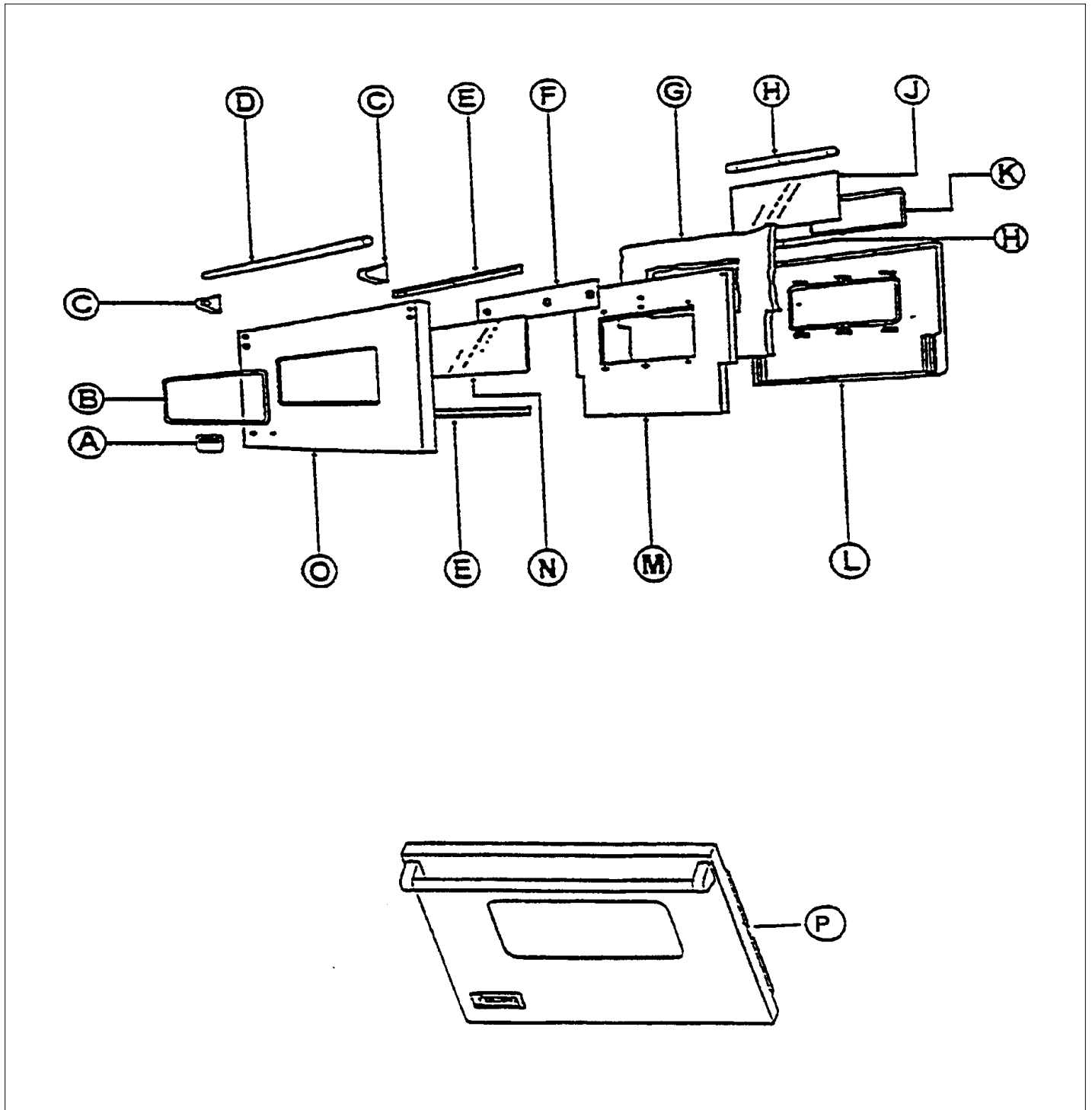
Item	Part No.	Name	Qty	Uom	NOTES
O	H9009180BU	OVEN DOOR PANEL ASSY 36" *BU*	1	EA	Not available online / Call for pricing and availability
O	H9009180CB	OVEN DOOR PANEL ASSY 36" *CB*	1	EA	NO LONGER AVAILABLE
O	H9009180EP	OVEN DOOR PANEL ASSY 36" *EP*	1	EA	NO LONGER AVAILABLE, Not available online / Call for pricing and availability
O	H9009180FG	OVEN DOOR PANEL ASSY 36" *FG*	1	EA	NO LONGER AVAILABLE, Not available online / Call for pricing and availability
O	H9009180GG	OVEN DOOR PANEL ASSY 36" *GG*	1	EA	NO LONGER AVAILABLE, Not available online / Call for pricing and availability
O	H9009180LE	OVEN DOOR PANEL ASSY 36" *LE*	1	EA	NO LONGER AVAILABLE, Not available online / Call for pricing and availability
O	H9009180LN	OUTER DOOR PANEL - LN	1	EA	Not available online / Call for pricing and availability
O	H9009180MJ	OVEN DOOR PANEL ASSY 36" *MJ*	1	EA	NO LONGER AVAILABLE, Not available online / Call for pricing and availability
O	H9009180PL	OVEN DOOR PANEL ASSY 36" *PL*	1	EA	NO LONGER AVAILABLE, Not available online / Call for pricing and availability
O	H9009180SG	OVEN DOOR PANEL ASSY 36" *SG*	1	EA	NO LONGER AVAILABLE, Not available online / Call for pricing and availability
O	H9009180VB	OVEN DOOR PANEL ASSY 36" *VB*	1	EA	NO LONGER AVAILABLE, Not available online / Call for pricing and availability
O	H9009180WH	OVEN DOOR PANEL ASSY 36" *WH*	1	EA	



Item	Part No.	Name	Qty	Uom	NOTES
P	G3209188AL	DOOR ASSY 36" *AL*	1	EA	NO LONGER AVAILABLE
P	G3209188ALBR	COMPLETE DOOR ASSY. - ALBR	1	EA	Not available online / Call for pricing and availability
P	G3209188BK	DOOR ASSY 36" *BK*	1	EA	
P	G3209188BKBR	COMPLETE DOOR ASSY. - BKBR	1	EA	Not available online / Call for pricing and availability
P	G3209188BT	DOOR ASSY 36" *BT*	1	EA	NO LONGER AVAILABLE, Not available online / Call for pricing and availability
P	G3209188BTBR	COMPLETE DOOR ASSY. - BTBR	1	EA	Not available online / Call for pricing and availability
P	G3209188BU	DOOR ASSY 36" *BU*	1	EA	NO LONGER AVAILABLE, Not available online / Call for pricing and availability
P	G3209188BUBR	COMPLETE DOOR ASSY. - BUBR	1	EA	Not available online / Call for pricing and availability
P	G3209188CB	DOOR ASSY 36" *CB*	1	EA	NO LONGER AVAILABLE, Not available online / Call for pricing and availability
P	G3209188CBBR	COMPLETE DOOR ASSY. - CBBR	1	EA	Not available online / Call for pricing and availability
P	G3209188EP	DOOR ASSY 36" *EP*	1	EA	NO LONGER AVAILABLE, Not available online / Call for pricing and availability
P	G3209188EPBR	COMPLETE DOOR ASSY. - EPBR	1	EA	Not available online / Call for pricing and availability
P	G3209188FG	DOOR ASSY 36" *FG*	1	EA	NO LONGER AVAILABLE, Not available online / Call for pricing and availability

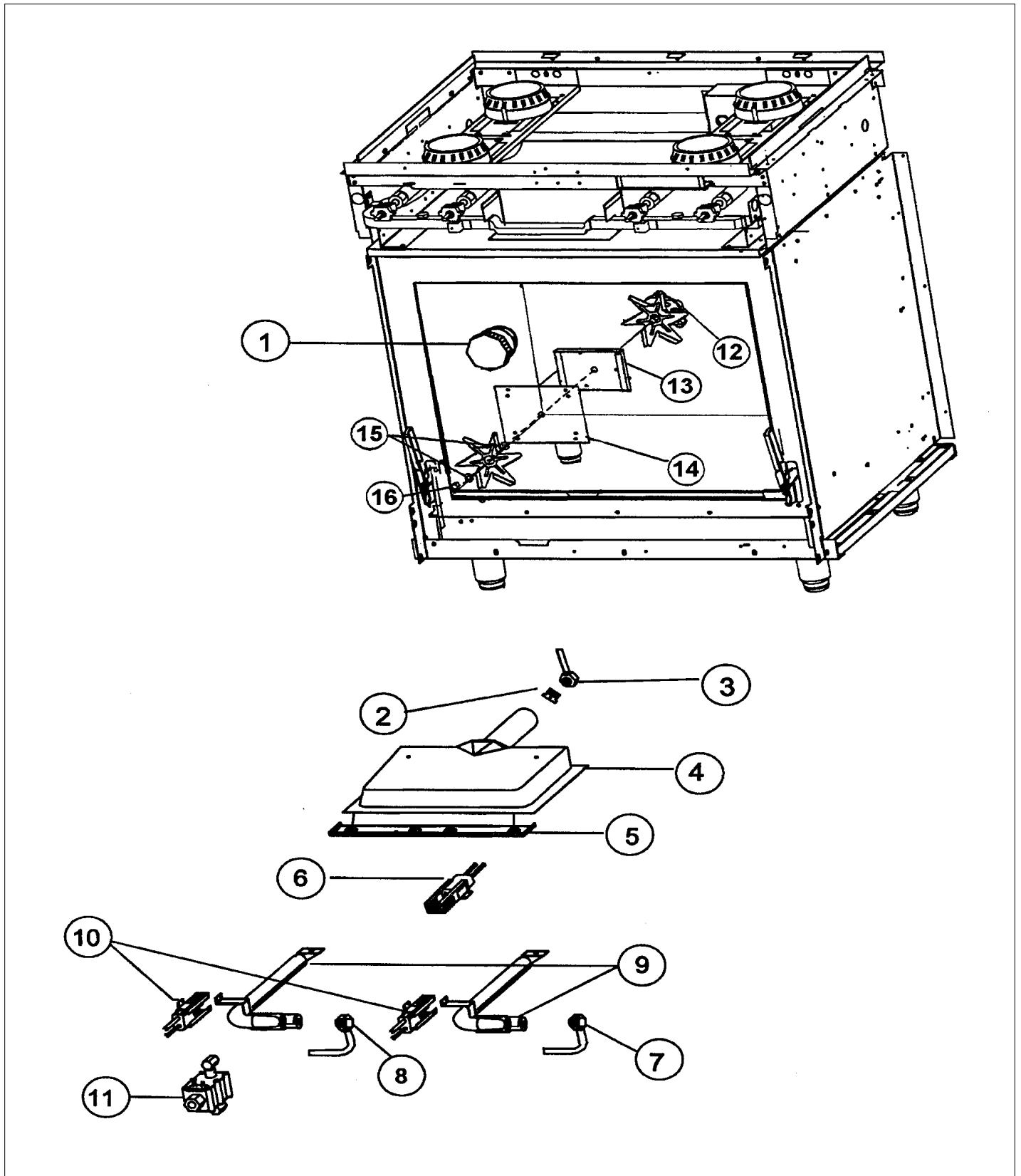


Item	Part No.	Name	Qty	Uom	NOTES
P	G3209188FGBR	COMPLETE DOOR ASSY. - FGBR	1	EA	Not available online / Call for pricing and availability
P	G3209188GG	DOOR ASSY 36"*GG*	1	EA	NO LONGER AVAILABLE, Not available online / Call for pricing and availability
P	G3209188GGBR	COMPLETE DOOR ASSY. - GGBR	1	EA	Not available online / Call for pricing and availability
P	G3209188LE	DOOR ASSY 36" *LE*	1	EA	NO LONGER AVAILABLE, Not available online / Call for pricing and availability
P	G3209188LEBR	COMPLETE DOOR ASSY. - LEBR	1	EA	Not available online / Call for pricing and availability
P	G3209188LN	COMPLETE DOOR ASSY. - LN	1	EA	Not available online / Call for pricing and availability
P	G3209188LNBR	COMPLETE DOOR ASSY. - LNBR	1	EA	Not available online / Call for pricing and availability
P	G3209188MJ	DOOR ASSY 36" *MJ*	1	EA	NO LONGER AVAILABLE, Not available online / Call for pricing and availability
P	G3209188MJBR	COMPLETE DOOR ASSY. - MJBR	1	EA	Not available online / Call for pricing and availability
P	G3209188PL	COMPLETE DOOR ASSY. - PL	1	EA	Not available online / Call for pricing and availability
P	G3209188PLBR	COMPLETE DOOR ASSY. - PLBR	1	EA	Not available online / Call for pricing and availability
P	G3209188SG	DOOR ASSY 36" *SG*	1	EA	NO LONGER AVAILABLE, Not available online / Call for pricing and availability

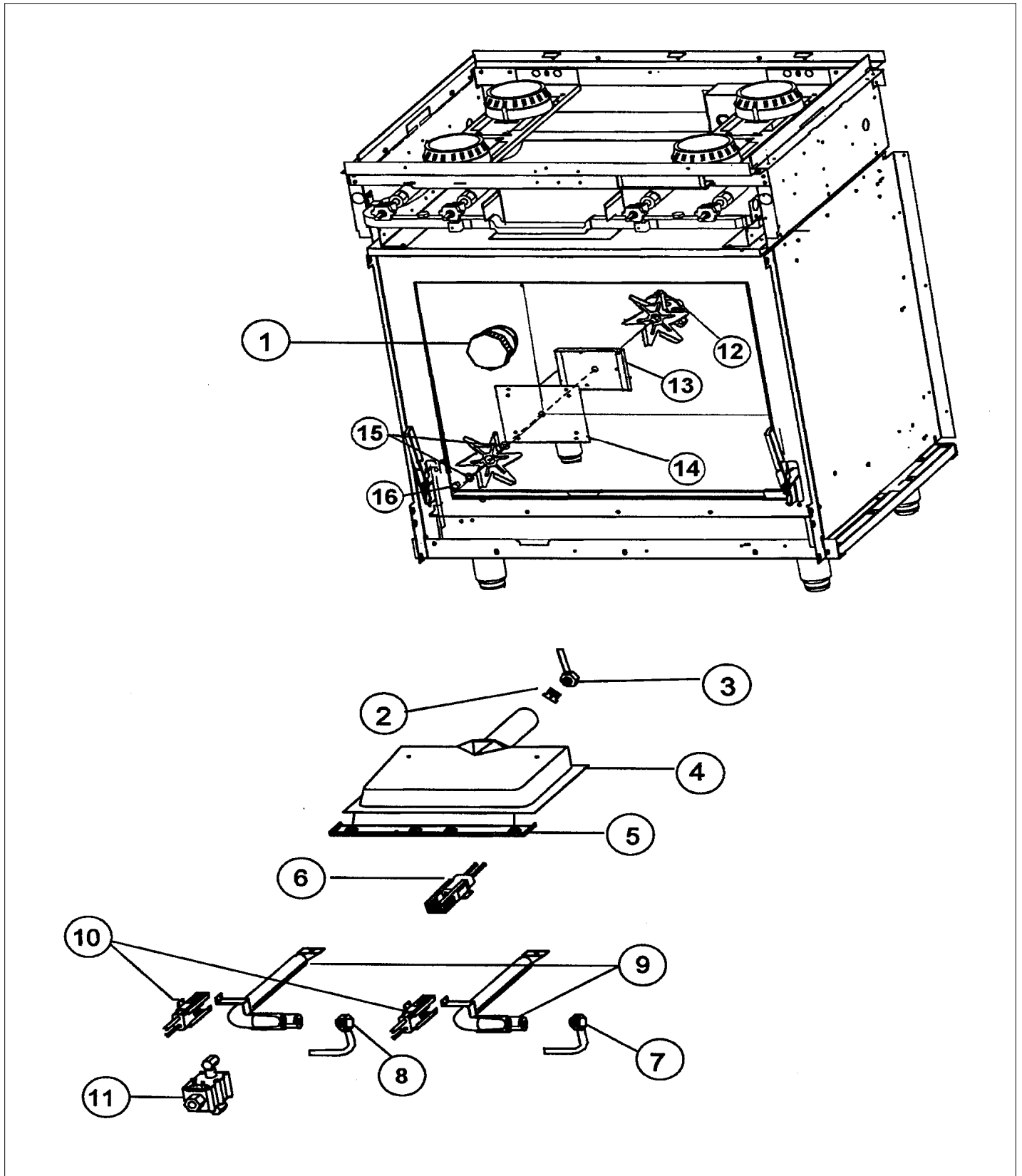




Item	Part No.	Name	Qty	Uom	NOTES
P	G3209188SGBR	COMPLETE DOOR ASSY. - SGBR	1	EA	Not available online / Call for pricing and availability
P	G3209187SS	DOOR ASSY 36" *SS*	1	EA	
P	G3209187SSBR	DOOR ASSY 36" *SSBR*	1	EA	NO LONGER AVAILABLE, Not available online / Call for pricing and availability
P	G3209188VB	DOOR ASSY 36" *VB*	1	EA	NO LONGER AVAILABLE, Not available online / Call for pricing and availability
P	G3209188VBBR	COMPLETE DOOR ASSY. - VBBR	1	EA	Not available online / Call for pricing and availability
P	G3209188WH	DOOR ASSY 36" *WH*	1	EA	NO LONGER AVAILABLE, Not available online / Call for pricing and availability
P	G3209188WHBR	COMPLETE DOOR ASSY. - WHBR	1	EA	Not available online / Call for pricing and availability
NI	PD020032	SRW-8(A)X3/8"PH.WFR HD 7/16DIA*NICL	1	EA	



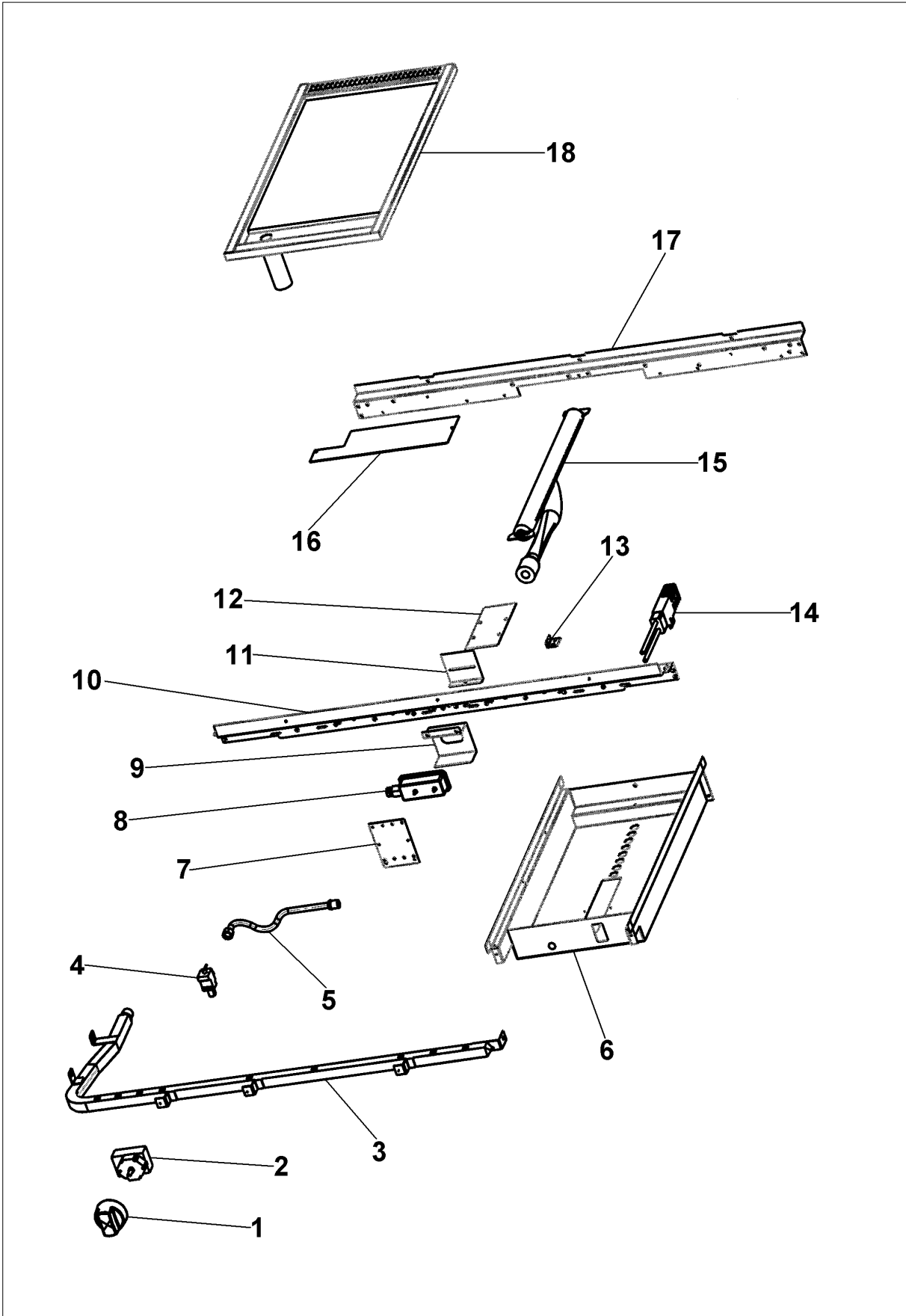
Item	Part No.	Name	Qty	Uom	NOTES
1	031449-000	LAMP, ASM	1	EA	
2	PB040040	ORIFICE-IR BURNER (VGSC)	1	EA	
2	PB040027	IR BUR.SPUD ORF. - #56 LP	1	EA	
3	PB020060	TUBING - BROIL-SAFETY VALVE(VGIS36)	1	EA	
NI	PD030018	PALNUT - 3/4-16	1	EA	
4	G3001876	IR BURNER ASSY (VGSC/RC) N/S	1	EA	
5	B2001448	IR BROIL SUPT (FRONT)	1	EA	
5	020409-000	BRACKET, SPRT, FR, I/R BROILER	1	EA	
6	PB040001	Igniter	1	EA	
7	PB020043	BAKE SFTY VLVE/RH BAKE TUBING-365	1	EA	
8	PB020042	BAKE SFTY VLVE/LH BAKE TUBING-365	1	EA	
9	PB050012	OVEN BURNER REPL PB050009	1	EA	
10	PB040001	Igniter	1	EA	
11	PB010084	DUAL THERMAL BI-MTL GAS CTRL VALVE	1	EA	
NI	E9101452	FLAME SPREADER 30" (VGSS)	1	EA	NOT FIELD REPLACEABLE
NI	PB020048	TUBING I/R BROILER	1	EA	
NI	PB020060	TUBING - BROIL-SAFETY VALVE(VGIS36)	1	EA	
12	PE050057	CONVECTION FAN (VGSC306)	1	EA	
13	A2002595	CONVECTION FAN BOX (VDSC)	1	EA	
14	A1002596	CONVECTION FAN COVER (VDSC)	1	EA	
15	PD030035	CONVECTION FAN NUT	1	EA	
16	PE050035	CONVECTION FAN BLADE	1	EA	
Not Shown	NOTE	(MUST ORDER ITEM 12)		EA	
NI	A2008467	INSULATION SHIELD	1	EA	
NI	PE070339	WIRING KIT (VGIC3656B)	1	EA	
NI	PE070341	WIRING KIT (VGIC3654G)	1	EA	
NI	PE070448	WIRING HARNESS-VGIC3654Q	1	EA	





Item	Part No.	Name	Qty	Uom	NOTES
NI	PB040057	ORIFICE HOOD-#46	1	EA	
NI	PB040036	ORIFICE HOOD-#57 (LP)	1	EA	
NI	006200-000	U-SHAPE BAKE BURNER 10" NAT.	1	EA	
NI	003226-000	FJT VALVE - NO NUT/FERRELL	1	EA	

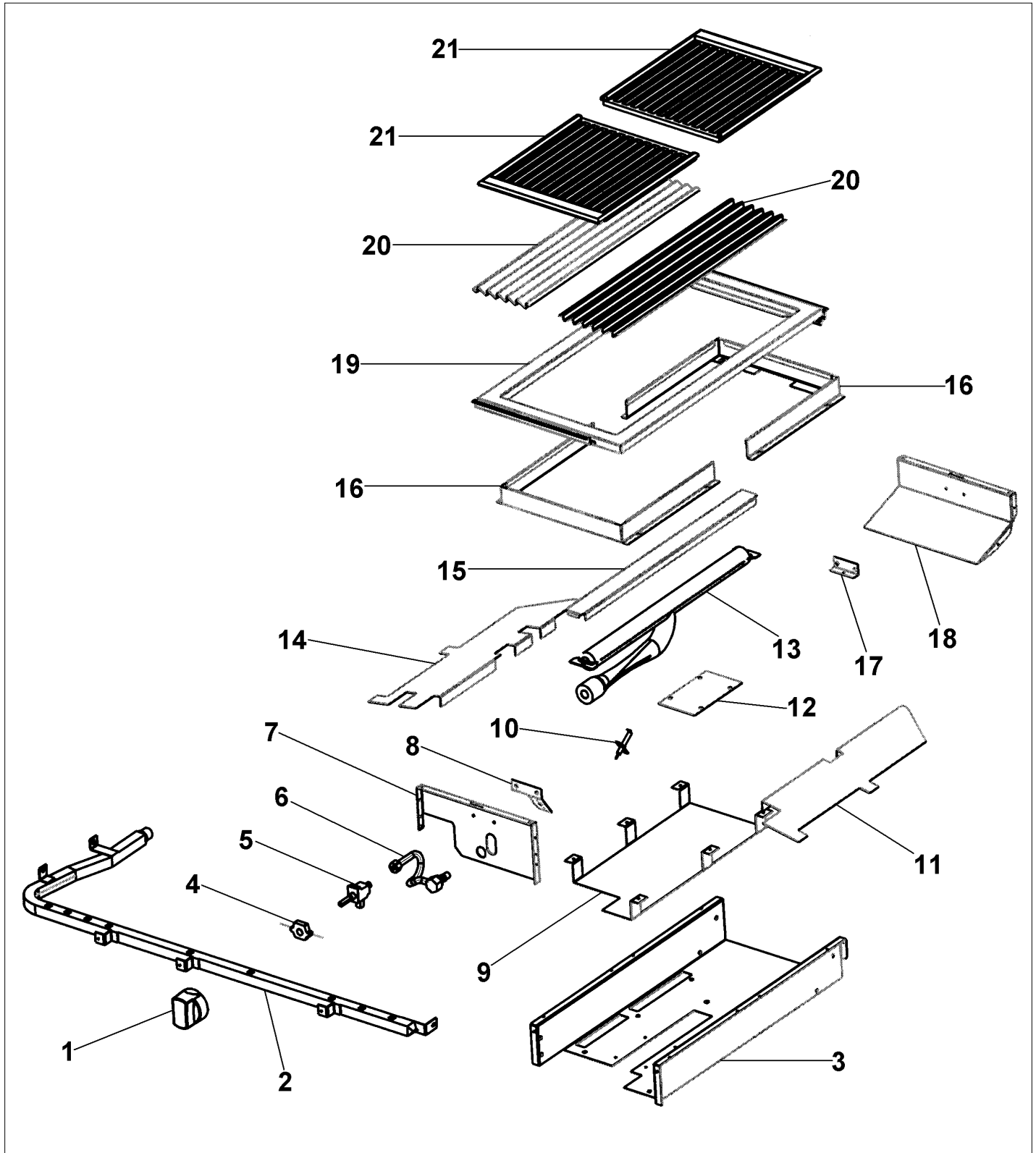
GRIDDLE ASSY





Item	Part No.	Name	Qty	Uom	NOTES
1	PB010103	GRIDDLE KNOB N/S *BK*	1	EA	
1	PB010104	GRIDDLE KNOB N/S *WH*	1	EA	
2	PB010035	THERMOSTAT BAKE / GRIDDLE	1	EA	
3	002158-000	36" UNIVERSAL MANIFOLD	1	EA	
4	003862-000	SHUTOFF VALVE (PB030002 VALVE AND BOLT KIT)	1	EA	
Not Shown	NOTE	(Before 2/23/05)		EA	
4	007147-000	SHUTOFF VALVE ASSY	1	EA	
Not Shown	NOTE	(ON OR AFTER 2/23/05)		EA	
5	PB020116	TUBING - 10" FLEXIBLE 12 & 24"	1	EA	
6	A2007862	Sealed Griddle Box	1	EA	
7	A1001198	THERMAL VALVE BRKT	1	EA	NO LONGER AVAILABLE, Not available online / Call for pricing and availability
8	PB010004	SINGLE SAFETY VALVE (NAT. GRIDDLE)	1	EA	
9	A2001630	GRIDDLE VALVE COVER (VGRC)	1	EA	
10	A2001105	FRONT SUPT (36")	1	EA	Not available online / Call for pricing and availability
11	A2009580	Griddle Burner Bracket	1	EA	
12	A1001636	GRIDDLE VENTURI COVER	1	EA	
13	A2001300	Griddle Igniter Bracket	1	EA	
14	PB040001	Igniter	1	EA	
15	PB050074	Griddle Burner	1	EA	
16	A1009565	HEAT SHIELD PLATE	1	EA	NO LONGER AVAILABLE, Not available online / Call for pricing and availability
17	A2001909	REAR BURNER SUPT-36"(VGRT/RC)	1	EA	NO LONGER AVAILABLE
18	003208-000	12" SEALED GRIDDLE FRAME ASSY	1	EA	

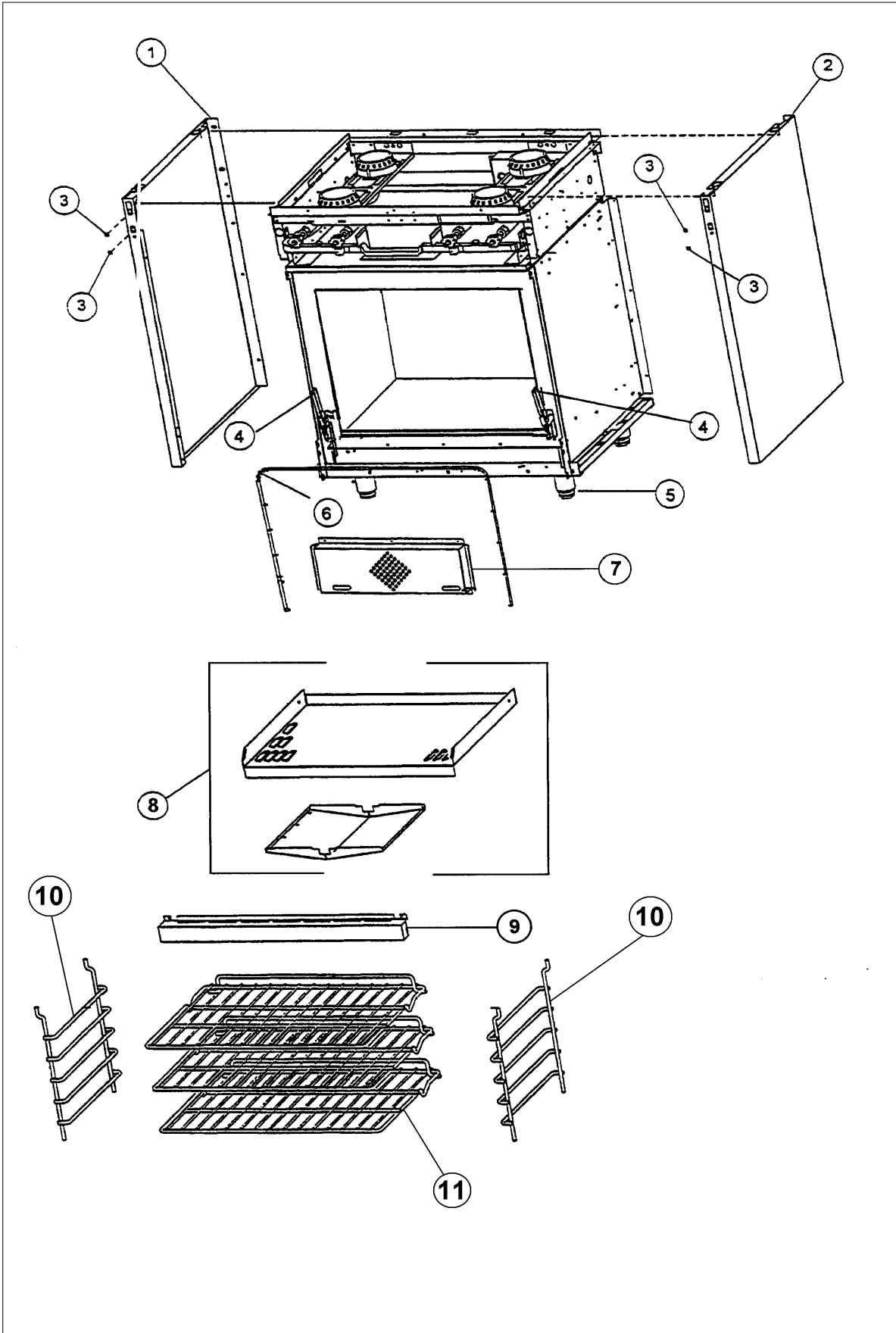
GRILL ASSY



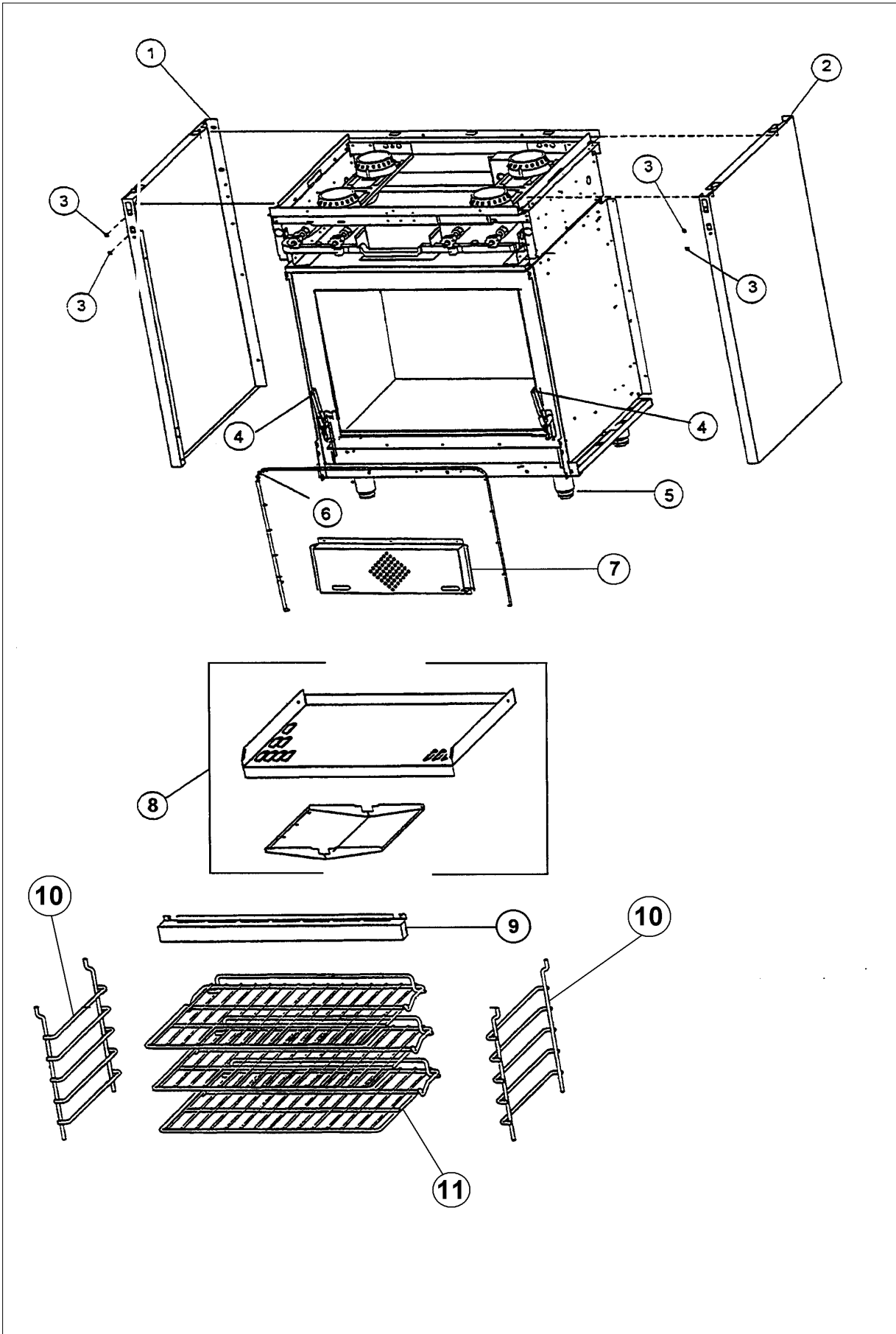


Item	Part No.	Name	Qty	Uom	NOTES
1	PA010039	TOP GRILL KNOB*BK* (VGRC) (N/STYLE)	1	EA	
1	PA010040	TOP GRILL KNOB*WH* (VGRC) (N/STYLE)	1	EA	
2	002158-000	36" UNIVERSAL MANIFOLD	1	EA	
3	A2001852	GRILL BOX - (VGRC605)	1	EA	
4	PA020015	Spark Ignition Switch	1	EA	
5	PA010030	GRILL VALVE-(VGRT)	1	EA	
6	PB020025	TUBING-GRILL (REVISED) REP PB020021	1	EA	
7	A2001631	GRILL BOX FRONT (VGRC)	1	EA	
8	A2001633	GRILL FRONT SPARKER BRKT (VGRC)	1	EA	
9	A2001863	GRILL BTM SHIELD (VGRC605)	1	EA	
10	PA020028	SPARK IGNITER	1	EA	
11	B2001857	GRILL HEAT DEFLECTOR-RH (VGRC60)	1	EA	
12	A1001862	GRILL VENTURI COVER (VGRC605)	1	EA	
13	PB050077	GRILL BURNER	1	EA	
14	B2001856	GRILL HEAT DEFLECTOR-LH (VGRC60)	1	EA	
15	B2009866	SEALED FLAME SHIELD	1	EA	NO LONGER AVAILABLE
16	A2009809	SHIELD GRATE BRACKET	1	EA	NO LONGER AVAILABLE
17	A2001132	REAR GRILL BURNER BRKT (VGRT)	1	EA	
18	A2001855	GRILL BACK - (VGRC605)	1	EA	
19	G9109811	GRILL SUPT ASSY *BK*	1	EA	
20	E9101130BK	GRILL SMOKE GENERATOR	1	EA	
21	PA060058	GRILL GRATE - MATT *BK* RE PA060028	1	EA	
Not Shown	PA060059	GRILL GRATE -MATT *GR* RE PA060029	1	EA	

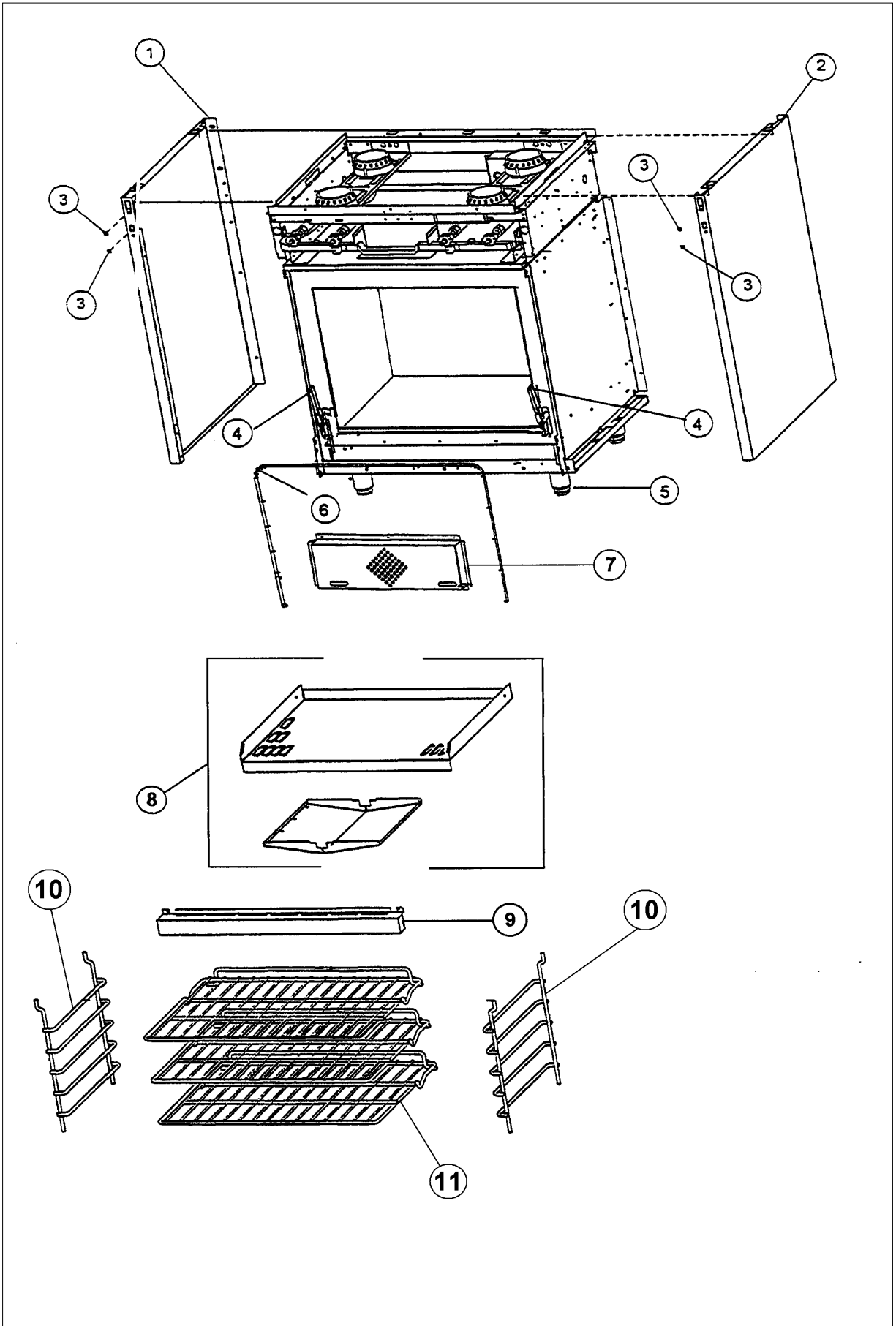
PANEL - OVEN



Item	Part No.	Name	Qty	Uom	NOTES
1	B2006750	O/S BODY PANEL-LH (VDSC3074)	1	EA	
Not Shown	NOTE	(Before 8/4/03)		EA	
1	C9006750AL	O/S BODY PANEL-LH *AL* (VDSC)	1	EA	NO LONGER AVAILABLE, Not available online / Call for pricing and availability
Not Shown	NOTE	(Before 8/4/03)		EA	
1	C9006750BK	O/S BODY PANEL-LH *BK* (VDSC)	1	EA	NO LONGER AVAILABLE
Not Shown	NOTE	(Before 8/4/03)		EA	
1	C9006750BT	O/S BODY PANEL-LH *BT* (VDSC)	1	EA	NO LONGER AVAILABLE, Not available online / Call for pricing and availability
Not Shown	NOTE	(Before 8/4/03)		EA	
1	C9006750BU	O/S BODY PANEL-LH *BU* (VDSC)	1	EA	NO LONGER AVAILABLE, Not available online / Call for pricing and availability
Not Shown	NOTE	(Before 8/4/03)		EA	
1	C9006750CB	O/S BODY PANEL-LH *CB* (VDSC)	1	EA	NO LONGER AVAILABLE, Not available online / Call for pricing and availability
Not Shown	NOTE	(Before 8/4/03)		EA	
1	C9006750EP	O/S BODY PANEL-LH *EP* (VDSC)	1	EA	NO LONGER AVAILABLE, Not available online / Call for pricing and availability
Not Shown	NOTE	(Before 8/4/03)		EA	
1	C9006750FG	O/S BODY PANEL-LH *FG* (VDSC)	1	EA	NO LONGER AVAILABLE, Not available online / Call for pricing and availability
Not Shown	NOTE	(Before 8/4/03)		EA	

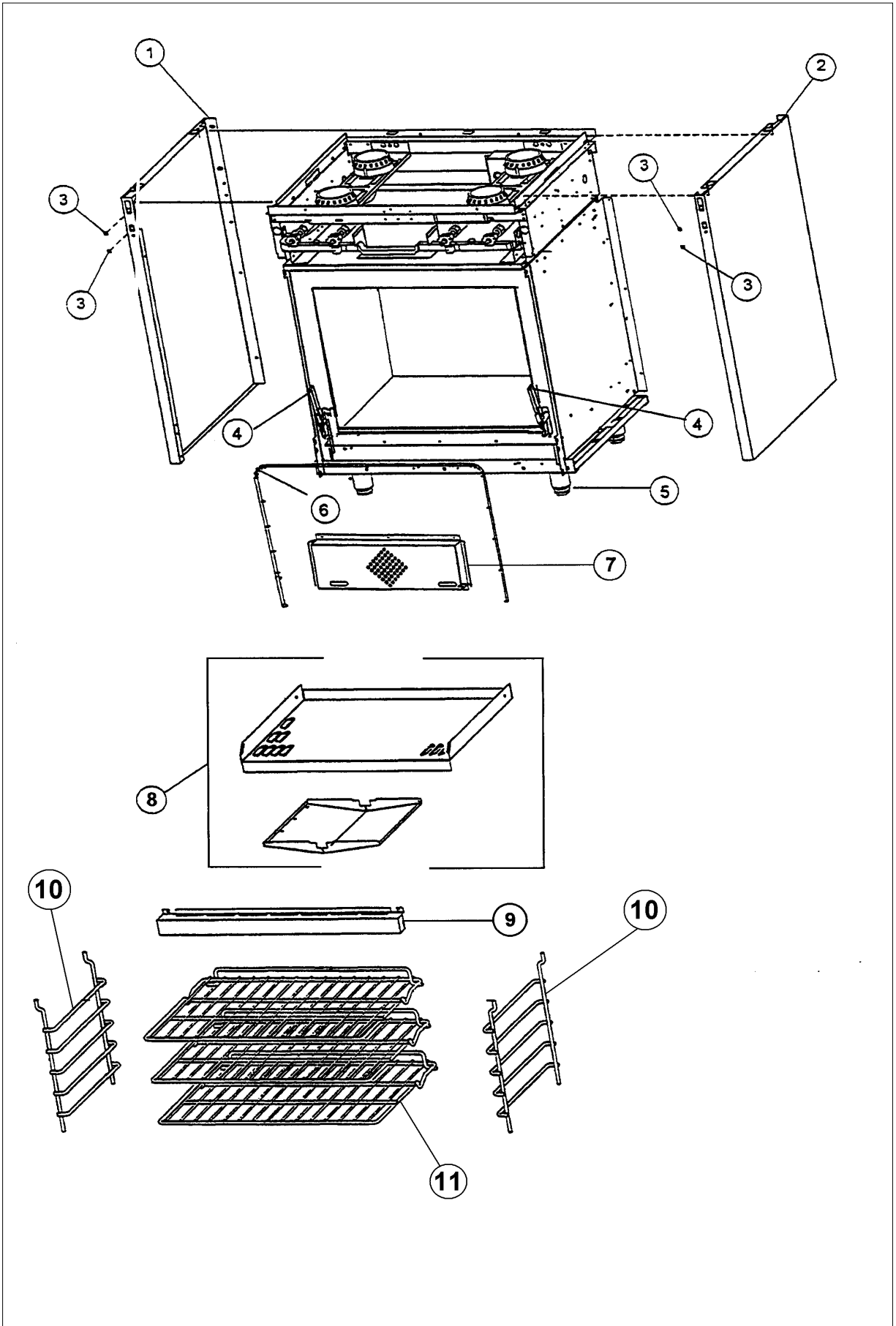


Item	Part No.	Name	Qty	Uom	NOTES
1	C9006750GG	O/S BODY PANEL-LH *GG* (VDSC)	1	EA	NO LONGER AVAILABLE, Not available online / Call for pricing and availability
Not Shown	NOTE	(Before 8/4/03)		EA	
1	C9006750LE	O/S BODY PANEL-LH *LE* (VDSC)	1	EA	NO LONGER AVAILABLE
Not Shown	NOTE	(Before 8/4/03)		EA	
1	C9006750MJ	O/S BODY PANEL-LH *MJ* (VDSC)	1	EA	NO LONGER AVAILABLE, Not available online / Call for pricing and availability
Not Shown	NOTE	(Before 8/4/03)		EA	
1	C9006750SG	O/S BODY PANEL-LH *SG* (VDSC)	1	EA	NO LONGER AVAILABLE, Not available online / Call for pricing and availability
Not Shown	NOTE	(Before 8/4/03)		EA	
1	C9006750VB	O/S BODY PANEL-LH *VB* (VDSC)	1	EA	NO LONGER AVAILABLE, Not available online / Call for pricing and availability
Not Shown	NOTE	(Before 8/4/03)		EA	
1	C9006750WH	O/S BODY PANEL-LH *WH* (VDSC)	1	EA	NO LONGER AVAILABLE, Not available online / Call for pricing and availability
Not Shown	NOTE	(Before 8/4/03)		EA	
1	B2007870	IC SEALED LH SIDE PANEL	1	EA	
Not Shown	NOTE	(On or After 8/4/03)		EA	
1	C9007870AL	IC SEALED LH SIDE PANEL *AL*	1	EA	NO LONGER AVAILABLE, Not available online / Call for pricing and availability
Not Shown	NOTE	(On or After 8/4/03)		EA	

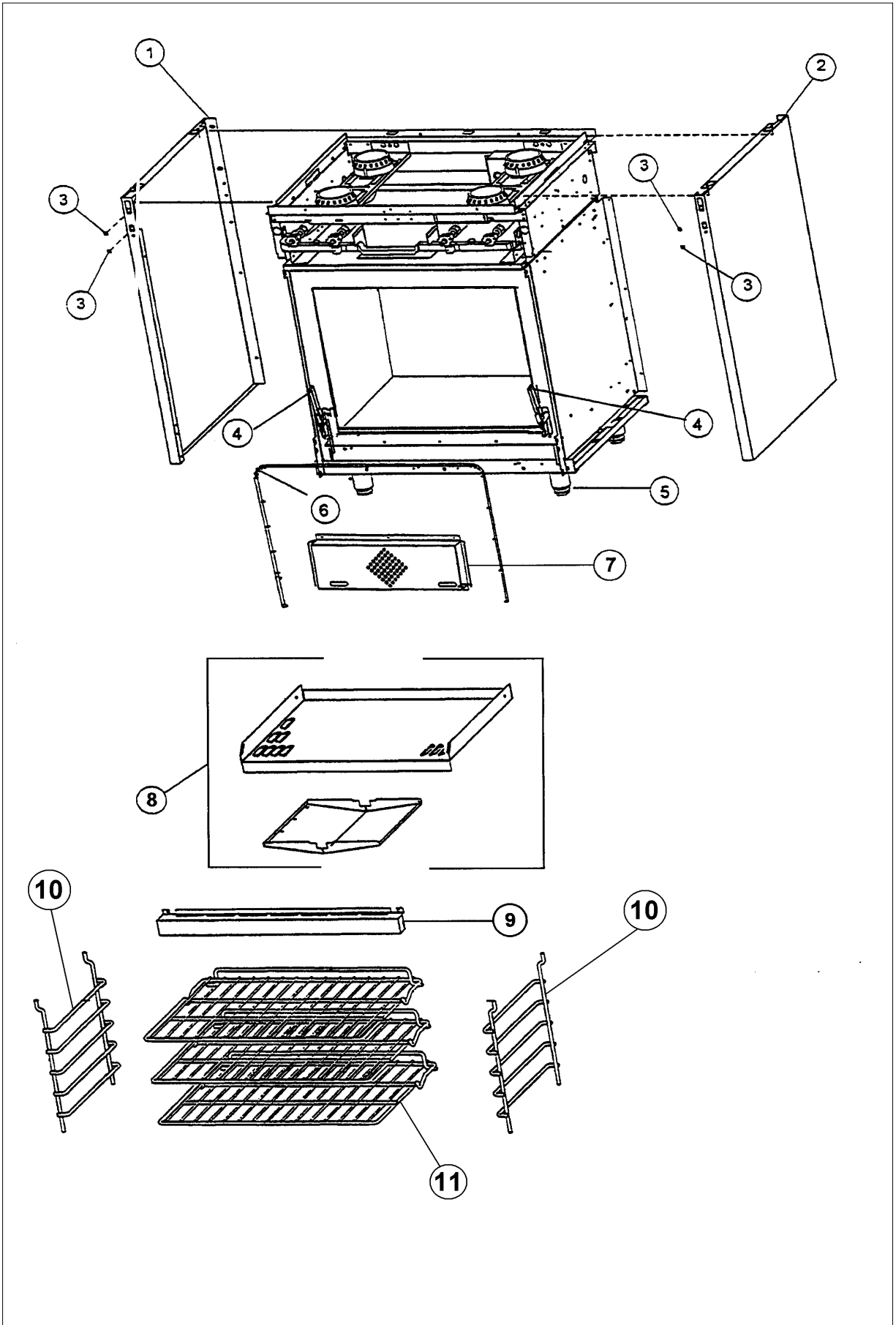




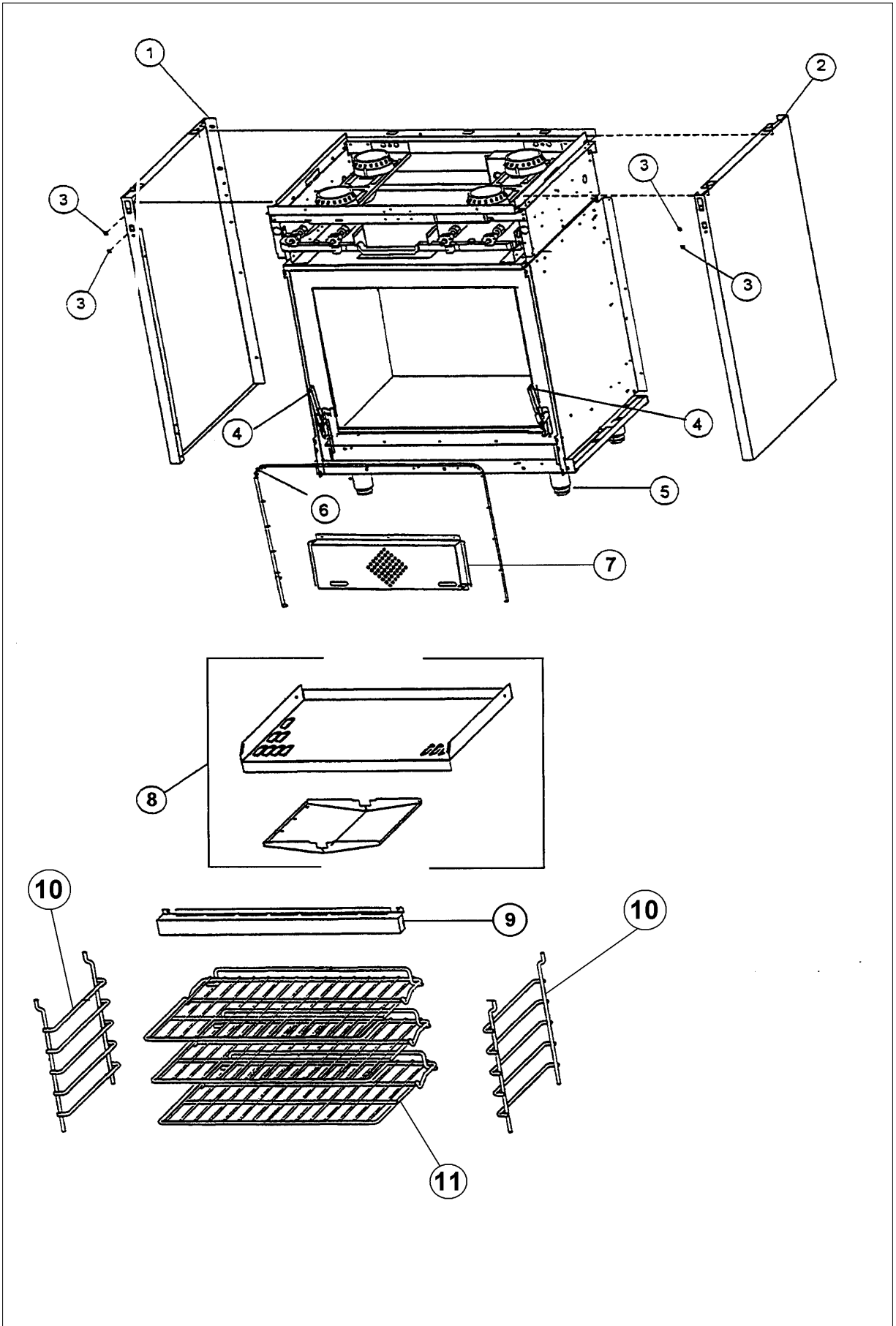
Item	Part No.	Name	Qty	Uom	NOTES
1	C9007870BK	IC SEALED LH SIDE PANEL *BK*	1	EA	NO LONGER AVAILABLE
Not Shown	NOTE	(On or After 8/4/03)		EA	
1	C9007870BT	IC SEALED LH SIDE PANEL *BT*	1	EA	NO LONGER AVAILABLE, Not available online / Call for pricing and availability
Not Shown	NOTE	(On or After 8/4/03)		EA	
1	C9007870BU	IC SEALED LH SIDE PANEL *BU*	1	EA	NO LONGER AVAILABLE
Not Shown	NOTE	(On or After 8/4/03)		EA	
1	C9007870CB	IC SEALED LH SIDE PANEL *CB*	1	EA	NO LONGER AVAILABLE
Not Shown	NOTE	(On or After 8/4/03)		EA	
1	C9007870EP	IC SEALED LH SIDE PANEL *EP*	1	EA	NO LONGER AVAILABLE, Not available online / Call for pricing and availability
Not Shown	NOTE	(On or After 8/4/03)		EA	
1	C9007870FG	IC SEALED LH SIDE PANEL *FG*	1	EA	NO LONGER AVAILABLE, Not available online / Call for pricing and availability
Not Shown	NOTE	(On or After 8/4/03)		EA	
1	C9007870GG	IC SEALED LH SIDE PANEL *GG*	1	EA	NO LONGER AVAILABLE, Not available online / Call for pricing and availability
Not Shown	NOTE	(On or After 8/4/03)		EA	
1	C9007870LE	IC SEALED LH SIDE PANEL *LE*	1	EA	NO LONGER AVAILABLE, Not available online / Call for pricing and availability
Not Shown	NOTE	(On or After 8/4/03)		EA	



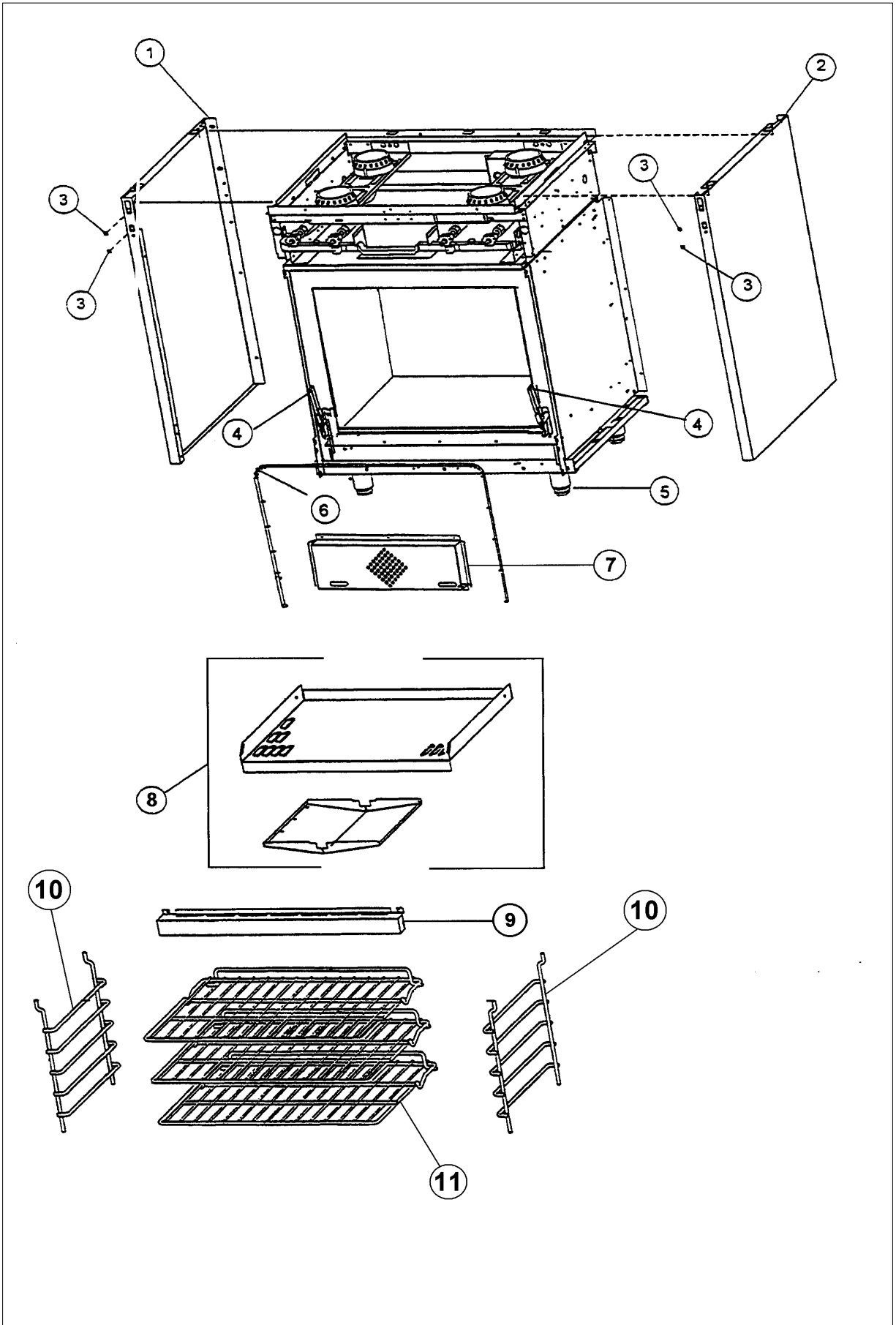
Item	Part No.	Name	Qty	Uom	NOTES
1	C9007870MJ	IC SEALED LH SIDE PANEL *MJ*	1	EA	NO LONGER AVAILABLE, Not available online / Call for pricing and availability
Not Shown	NOTE	(On or After 8/4/03)		EA	
1	C9007870SG	IC SEALED LH SIDE PANEL *SG*	1	EA	NO LONGER AVAILABLE
Not Shown	NOTE	(On or After 8/4/03)		EA	
1	C9007870VB	IC SEALED LH SIDE PANEL *VB*	1	EA	NO LONGER AVAILABLE, Not available online / Call for pricing and availability
Not Shown	NOTE	(On or After 8/4/03)		EA	
1	C9007870WH	IC SEALED LH SIDE PANEL *WH*	1	EA	NO LONGER AVAILABLE
Not Shown	NOTE	(On or After 8/4/03)		EA	
2	B2006749	O/S BODY PANEL-RH (VDSC3074B)	1	EA	Not available online / Call for pricing and availability
Not Shown	NOTE	(Before 8/4/03)		EA	
2	C9006749AL	O/S BODY PANEL-RH *AL* (VDSC)	1	EA	NO LONGER AVAILABLE
Not Shown	NOTE	(Before 8/4/03)		EA	
2	C9006749BK	O/S BODY PANEL-RH *BK* (VDSC)	1	EA	NO LONGER AVAILABLE
Not Shown	NOTE	(Before 8/4/03)		EA	
2	C9006749BT	O/S BODY PANEL-RH *BT* (VDSC)	1	EA	NO LONGER AVAILABLE, Not available online / Call for pricing and availability
Not Shown	NOTE	(Before 8/4/03)		EA	
2	C9006749BU	O/S BODY PANEL-RH *BU* (VDSC)	1	EA	NO LONGER AVAILABLE
Not Shown	NOTE	(Before 8/4/03)		EA	



Item	Part No.	Name	Qty	Uom	NOTES
2	C9006749CB	O/S BODY PANEL-RH *CB* (VDSC)	1	EA	NO LONGER AVAILABLE, Not available online / Call for pricing and availability
Not Shown	NOTE	(Before 8/4/03)		EA	
2	C9006749EP	O/S BODY PANEL-RH *EP* (VDSC)	1	EA	NO LONGER AVAILABLE, Not available online / Call for pricing and availability
Not Shown	NOTE	(Before 8/4/03)		EA	
2	C9006749FG	O/S BODY PANEL-RH *FG* (VDSC)	1	EA	NO LONGER AVAILABLE, Not available online / Call for pricing and availability
Not Shown	NOTE	(Before 8/4/03)		EA	
2	C9006749GG	O/S BODY PANEL-RH *GG* (VDSC)	1	EA	NO LONGER AVAILABLE, Not available online / Call for pricing and availability
Not Shown	NOTE	(Before 8/4/03)		EA	
2	C9006749LE	O/S BODY PANEL-RH *LE* (VDSC)	1	EA	NO LONGER AVAILABLE, Not available online / Call for pricing and availability
Not Shown	NOTE	(Before 8/4/03)		EA	
2	C9006749MJ	O/S BODY PANEL-RH *MJ* (VDSC)	1	EA	NO LONGER AVAILABLE, Not available online / Call for pricing and availability
Not Shown	NOTE	(Before 8/4/03)		EA	
2	C9006749SG	O/S BODY PANEL-RH *SG* (VDSC)	1	EA	NO LONGER AVAILABLE, Not available online / Call for pricing and availability
Not Shown	NOTE	(Before 8/4/03)		EA	

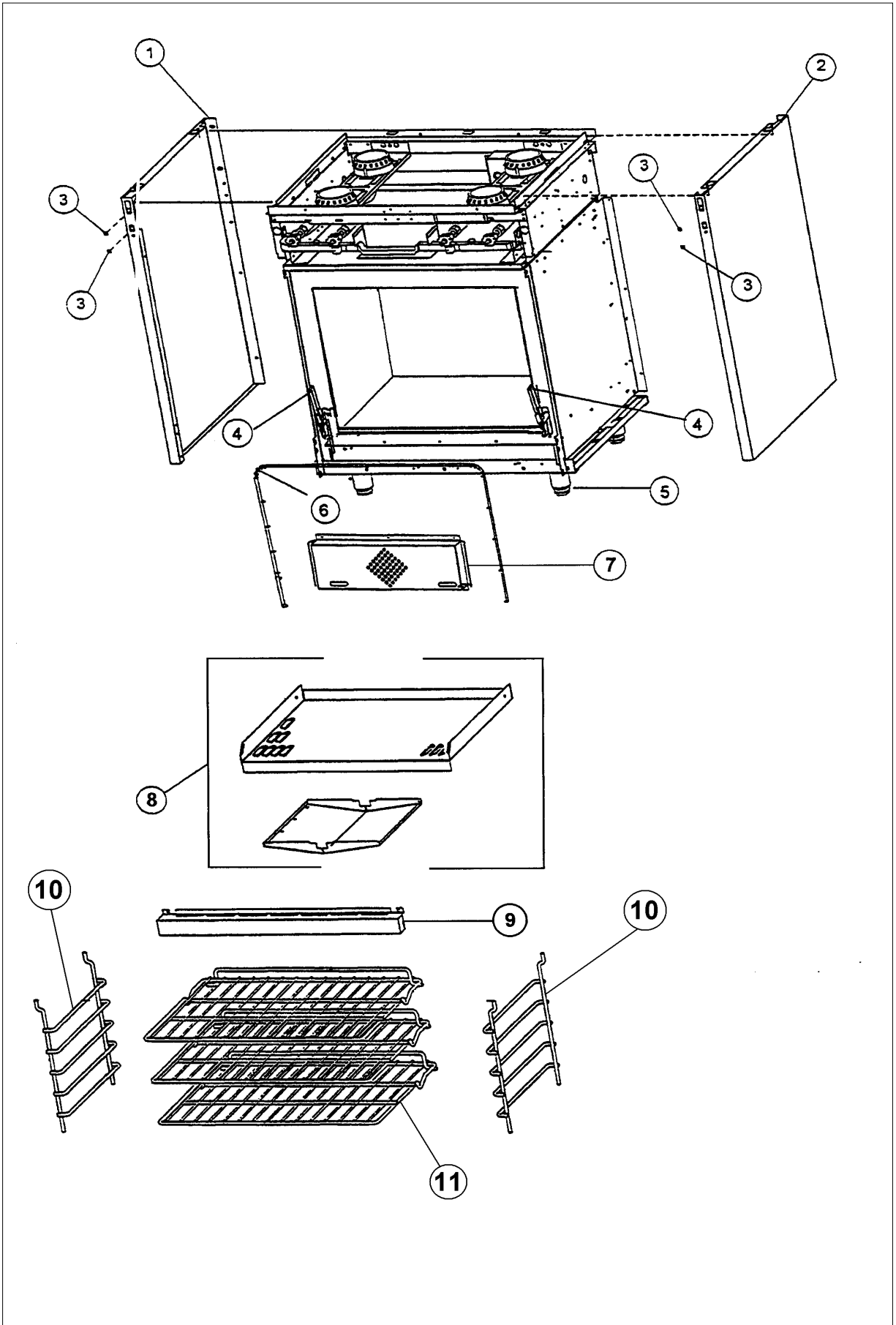


Item	Part No.	Name	Qty	Uom	NOTES
2	C9006749VB	O/S BODY PANEL-RH *VB* (VDSC)	1	EA	NO LONGER AVAILABLE, Not available online / Call for pricing and availability
Not Shown	NOTE	(Before 8/4/03)		EA	
2	C9006749WH	O/S BODY PANEL-RH *WH* (VDSC)	1	EA	NO LONGER AVAILABLE
Not Shown	NOTE	(Before 8/4/03)		EA	
2	B2007869	IC SEALED RH SIDE PANEL	1	EA	
Not Shown	NOTE	(On or After 8/4/03)		EA	
2	C9007869AL	IC SEALED RH SIDE PANEL *AL*	1	EA	NO LONGER AVAILABLE, Not available online / Call for pricing and availability
Not Shown	NOTE	(On or After 8/4/03)		EA	
2	C9007869BK	IC SEALED RH SIDE PANEL *BK*	1	EA	NO LONGER AVAILABLE
Not Shown	NOTE	(On or After 8/4/03)		EA	
2	C9007869BT	IC SEALED RH SIDE PANEL *BT*	1	EA	NO LONGER AVAILABLE
Not Shown	NOTE	(On or After 8/4/03)		EA	
2	C9007869BU	SEALED RH SIDE PANEL *BU*	1	EA	NO LONGER AVAILABLE
Not Shown	NOTE	(On or After 8/4/03)		EA	
2	C9007869CB	IC SEALED RH SIDE PANEL *CB*	1	EA	NO LONGER AVAILABLE
Not Shown	NOTE	(On or After 8/4/03)		EA	
2	C9007869EP	IC SEALED RH SIDE PANEL *EP*	1	EA	NO LONGER AVAILABLE
Not Shown	NOTE	(On or After 8/4/03)		EA	
2	C9007869FG	IC SEALED RH SIDE PANEL *FG*	1	EA	NO LONGER AVAILABLE, Not available online / Call for pricing and availability



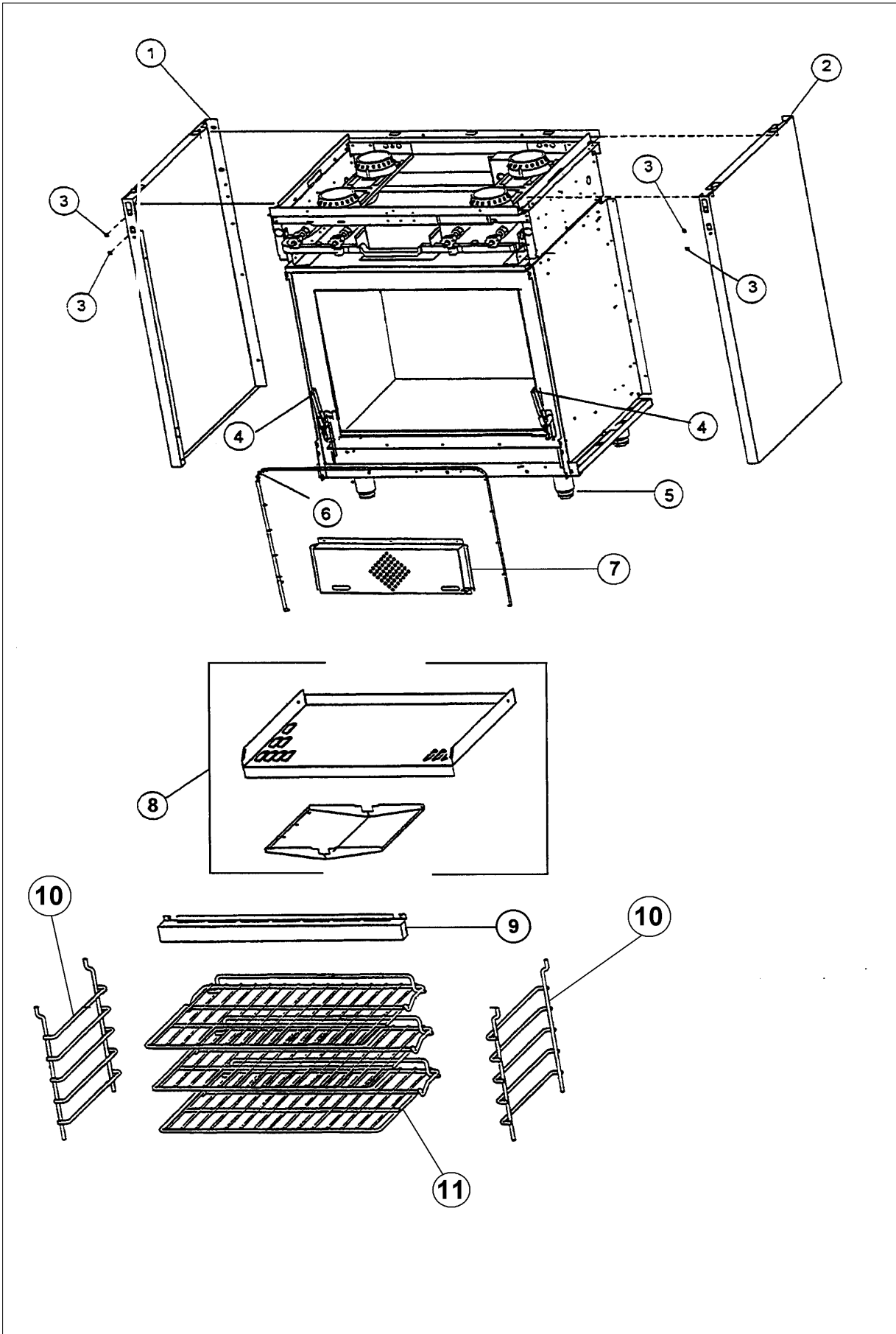


Item	Part No.	Name	Qty	Uom	NOTES
Not Shown	NOTE	(On or After 8/4/03)		EA	
2	C9007869GG	IC SEALED RH SIDE PANEL *GG*	1	EA	NO LONGER AVAILABLE, Not available online / Call for pricing and availability
Not Shown	NOTE	(On or After 8/4/03)		EA	
2	C9007869LE	IC SEALED RH SIDE PANEL *LE*	1	EA	NO LONGER AVAILABLE, Not available online / Call for pricing and availability
Not Shown	NOTE	(On or After 8/4/03)		EA	
2	C9007869MJ	IC SEALED RH SIDE PANEL *MJ*	1	EA	NO LONGER AVAILABLE, Not available online / Call for pricing and availability
Not Shown	NOTE	(On or After 8/4/03)		EA	
2	C9007869SG	IC SEALED RH SIDE PANEL *SG*	1	EA	NO LONGER AVAILABLE
Not Shown	NOTE	(On or After 8/4/03)		EA	
2	C9007869VB	IC SEALED RH SIDE PANEL *VB*	1	EA	NO LONGER AVAILABLE, Not available online / Call for pricing and availability
Not Shown	NOTE	(On or After 8/4/03)		EA	
2	C9007869WH	IC SEALED RH SIDE PANEL *WH*	1	EA	Not available online / Call for pricing and availability
Not Shown	NOTE	(On or After 8/4/03)		EA	
3	PD030005	SELF RETAINING NUT	1	EA	
4	PC020009	HINGE ASSY (BROWN)	1	EA	
5	PC030017	4" LEG ASSY	1	EA	
6	PB070036	OVEN DR GASKET (VGSS36)	1	EA	
7	G9101371	CONVECTION FAN COVER ASSY(VGSC305)	1	EA	





Item	Part No.	Name	Qty	Uom	NOTES
8	G3204252	BTM PAN ASSY REPL G9101985	1	EA	
9	B2001504	LWR ACC PNL - RPLCS B2001977	1	EA	
9	C9001504AL	LWR ACC PNL - RPLCS C9001977AL	1	EA	NO LONGER AVAILABLE
9	C9001504BK	LWR ACC PNL - RPLCS C9001977BK	1	EA	
9	C9001504BT	LWR ACC PNL - RPLCS C9001977BT	1	EA	NO LONGER AVAILABLE, Not available online / Call for pricing and availability
9	C9001504BU	LWR ACC PNL - RPLCS C9001977BU	1	EA	Not available online / Call for pricing and availability
9	C9001504CB	LWR ACC PNL - RPLCS C9001977CB	1	EA	NO LONGER AVAILABLE, Not available online / Call for pricing and availability
9	C9001504EP	LWR ACC PNL - RPLCS C9001977EP	1	EA	NO LONGER AVAILABLE
9	C9001504FG	LWR ACC PNL - RPLCS C9001977FG	1	EA	NO LONGER AVAILABLE
9	C9001504GG	LWR ACC PNL - RPLCS C9001977GG	1	EA	NO LONGER AVAILABLE, Not available online / Call for pricing and availability
9	C9001504LE	LWR ACC PNL - RPLCS C9001977LE	1	EA	NO LONGER AVAILABLE, Not available online / Call for pricing and availability
9	C9001504LN	LWR ACC PNL - RPLCS C9001977LN	1	EA	NO LONGER AVAILABLE, Not available online / Call for pricing and availability
9	C9001504MJ	LWR ACC PNL - RPLCS C9001977MJ	1	EA	Not available online / Call for pricing and availability
9	C9001504PL	LWR ACC PNL - RPLCS C9001977PL	1	EA	NO LONGER AVAILABLE





Item	Part No.	Name	Qty	Uom	NOTES
9	C9001504SG	LWR ACC PNL - RPCLS C9001977SG	1	EA	NO LONGER AVAILABLE, Not available online / Call for pricing and availability
9	C9001504VB	LWR ACC PNL - RPLCS C9001977VB	1	EA	NO LONGER AVAILABLE
9	C9001504WH	LWR ACC PNL - RPLCS C9001977WH	1	EA	
NI	A2008456	HINGE POCKET COVER,VGIC RH	1	EA	
NI	A2008457	HINGE POCKET COVER,VGIC LH	1	EA	
10	PB060030	RACK SUPT REPL PB060010	1	EA	
11	PB060039	RACK REPL PB060017	1	EA	



Appendix A:Pages Index

BURNER BOX ASSY 1
DOOR ASSY 2
GAS - ELECTRIC 3
GRIDDLE ASSY 4
GRILL ASSY 5
PANEL - OVEN 6



Appendix B:Parts Index

000268-000	2	B2001504	6
002158-000	1, 4, 5	B2001856	5
003208-000	4	B2001857	5
003226-000	3	B2006724	1
003517-000	1	B2006749	6
003862-000	4	B2006750	6
006200-000	3	B2007856	1
007147-000	4	B2007857	1
020409-000	3	B2007868	1
031449-000	3	B2007869	6
050172-000	1	B2007870	6
A1001198	4	B2009866	5
A1001381	2	B30011469	1
A1001636	4	B9201281	1
A1001862	5	B9202370	1
A1002596	3	B9202371	1
A1009565	4	C9001504AL	6
A2001105	4	C9001504BK	6
A2001132	5	C9001504BT	6
A2001300	4	C9001504BU	6
A2001447	2	C9001504CB	6
A2001480	2	C9001504EP	6
A2001630	4	C9001504FG	6
A2001631	5	C9001504GG	6
A2001633	5	C9001504LE	6
A2001852	5	C9001504LN	6
A2001855	5	C9001504MJ	6
A2001863	5	C9001504PL	6
A2001909	4	C9001504SG	6
A2002595	3	C9001504VB	6
A2006747	1	C9001504WH	6
A2006748	1	C9006749AL	6
A2007855	1	C9006749BK	6
A2007862	4	C9006749BT	6
A2008456	6	C9006749BU	6
A2008457	6	C9006749CB	6
A2008467	3	C9006749EP	6
A2009580	4	C9006749FG	6
A2009809	5	C9006749GG	6
B2001448	3	C9006749LE	6
		C9006749MJ	6



C9006749SG	6	C9007870WH	6
C9006749VB	6	C9306724BR	1
C9006749WH	6	C9307868BR	1
C9006750AL	6	E9101130BK	5
C9006750BK	6	E9101452	3
C9006750BT	6	E9108438AL	1
C9006750BU	6	E9108438BK	1
C9006750CB	6	E9108438BT	1
C9006750EP	6	E9108438CB	1
C9006750FG	6	E9108438EP	1
C9006750GG	6	E9108438FG	1
C9006750LE	6	E9108438GG	1
C9006750MJ	6	E9108438LE	1
C9006750SG	6	E9108438MJ	1
C9006750VB	6	E9108438SG	1
C9006750WH	6	E9108438VB	1
C9007869AL	6	E9108438WH	1
C9007869BK	6	E9108439AL	1
C9007869BT	6	E9108439BK	1
C9007869BU	6	E9108439BT	1
C9007869CB	6	E9108439CB	1
C9007869EP	6	E9108439EP	1
C9007869FG	6	E9108439FG	1
C9007869GG	6	E9108439GG	1
C9007869LE	6	E9108439LE	1
C9007869MJ	6	E9108439MJ	1
C9007869SG	6	E9108439SG	1
C9007869VB	6	E9108439VB	1
C9007869WH	6	E9108439WH	1
C9007870AL	6	G30010696	1
C9007870BK	6	G3001876	3
C9007870BT	6	G3004865	2
C9007870BU	6	G3009151	1
C9007870CB	6	G3009719	1
C9007870EP	6	G3204252	6
C9007870FG	6	G3206741	1
C9007870GG	6	G3209187SS	2
C9007870LE	6	G3209187SSBR	2
C9007870MJ	6	G3209188AL	2
C9007870SG	6	G3209188ALBR	2
C9007870VB	6	G3209188BK	2



G3209188BKBR	2	G3209547BT	1
G3209188BT	2	G3209547CB	1
G3209188BTBR	2	G3209547EP	1
G3209188BU	2	G3209547FG	1
G3209188BUBR	2	G3209547GG	1
G3209188CB	2	G3209547LE	1
G3209188CBBR	2	G3209547MJ	1
G3209188EP	2	G3209547SG	1
G3209188EPBR	2	G3209547VB	1
G3209188FG	2	G3209547WH	1
G3209188FGBR	2	G50012679	1
G3209188GG	2	G50013870	1
G3209188GGBR	2	G50013871	1
G3209188LE	2	G50013872	1
G3209188LEBR	2	G9101371	6
G3209188LN	2	G9109811	5
G3209188LNBR	2	G93011459PVD	1
G3209188MJ	2	H3009179	2
G3209188MJBR	2	H9009180AL	2
G3209188PL	2	H9009180BK	2
G3209188PLBR	2	H9009180BT	2
G3209188SG	2	H9009180BU	2
G3209188SGBR	2	H9009180CB	2
G3209188VB	2	H9009180EP	2
G3209188VBBR	2	H9009180FG	2
G3209188WH	2	H9009180GG	2
G3209188WHBR	2	H9009180LE	2
G3209546	1	H9009180LN	2
G3209546AL	1	H9009180MJ	2
G3209546BT	1	H9009180PL	2
G3209546CB	1	H9009180SG	2
G3209546EP	1	H9009180VB	2
G3209546FG	1	H9009180WH	2
G3209546GG	1	H9101988	2
G3209546LE	1	Order Igniter	1
G3209546MJ	1	PA010030	5
G3209546SG	1	PA010039	5
G3209546VB	1	PA010040	5
G3209546WH	1	PA010100	1
G3209547AL	1	PA020015	1, 5
G3209547BK	1	PA020028	5



PA020029	1	PB050077	5
PA020045	1	PB050081	1, 1, 1
PA020047	1	PB060030	6
PA020048	1	PB060039	6
PA060054	1	PB070014	2
PA060058	5	PB070034	2
PA060059	5	PB070036	6
PA060062	1	PC020009	6
PA070003	1	PC030017	6
PA080075	1	PD020032	2
PA080083	1	PD030005	6
PA080086	1	PD030018	3
PB010004	4	PD030035	3
PB010035	4	PE010030	2
PB010036	1	PE010031	2
PB010083	1	PE010068	2
PB010084	3	PE010076	2
PB010099	1	PE030001PVD	2
PB010100	1	PE030006	2
PB010103	4	PE030013PVD	2
PB010104	4	PE050016	1
PB010206	1	PE050017	1
PB010207	1	PE050023	1
PB010209	1	PE050024	1
PB020025	5	PE050035	3
PB020042	3	PE050057	3
PB020043	3	PE060007	2
PB020048	3	PE060008	2
PB020060	3, 3	PE060018	2
PB020116	4	PE060020	2
PB020192	1	PE070070	1
PB020193	1	PE070071	1
PB040001	3, 3, 4	PE070128	1
PB040027	3	PE070339	3
PB040036	3	PE070341	3
PB040040	3	PE070448	3
PB040057	3	PK000008	1
PB040194	1	PK000009	1
PB050012	3	PS510002	1
PB050063	1		
PB050074	4		