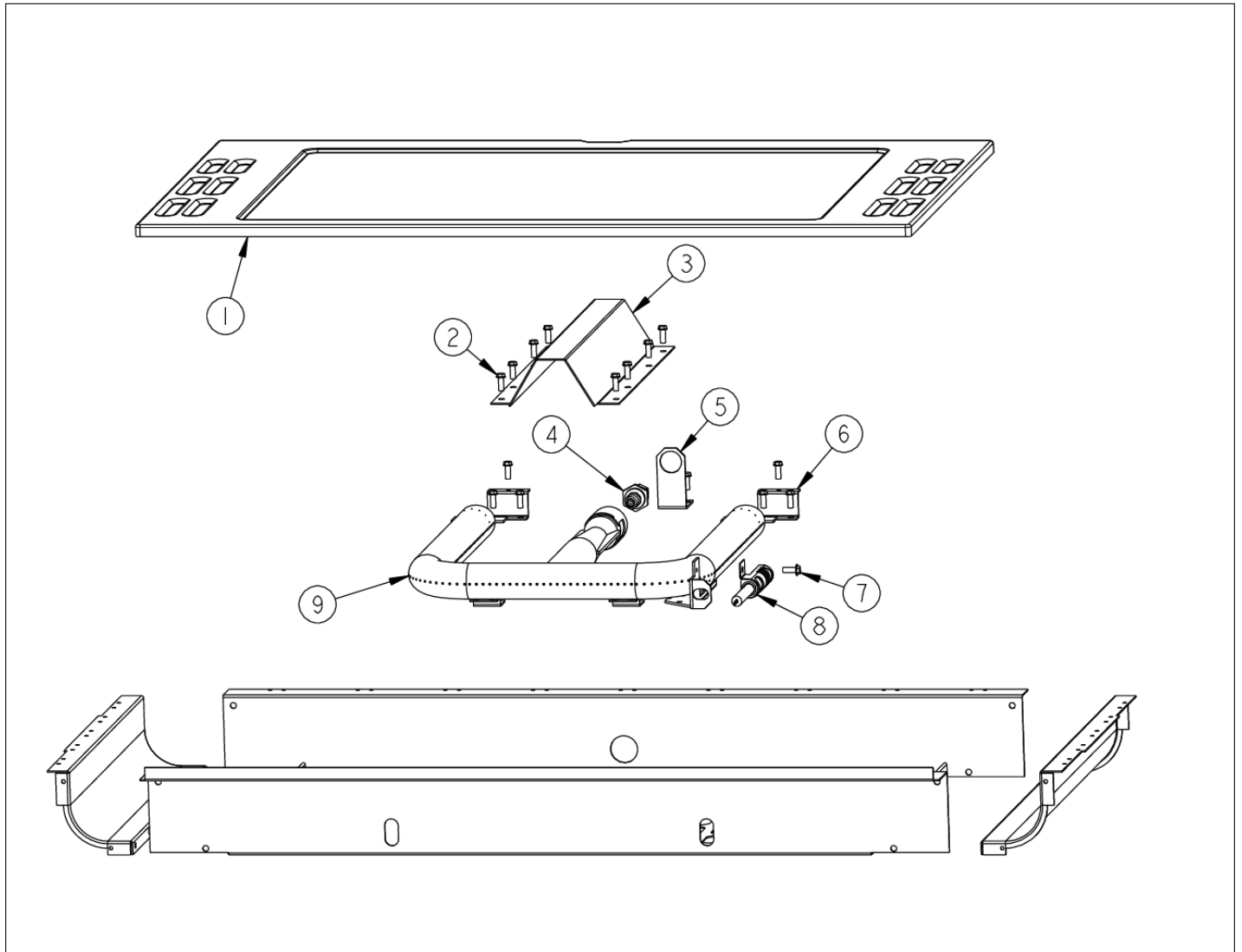


VGIC366-4G

BAKE BURNER AREA	1
BAKE IGNITER WIRE	2
BROIL IGNITOR WIRE	3
BROILER AREA	4
BURNER BOX INTERIOR	5
CONTROL AREA	6
DOOR ASSEMBLY	7
DRIP TRAY	8
G4008493 SUPPLY CORD	9
GRIDDLE SUBASSEMBLY	10
HARNESS	11
LOWER UNIT AREA	12
OVEN MAIN CAVITY	13
PE070245 LIGHT EXT. HARNESS	14
PE070889 IRIS HARNESS	15
POWER DISCONNECT HAR	16
REAR ELECTRONICS AND GAS FLOW	17
REAR SHEET METAL	18
SURFACE COOKING AREA	19
TOP BURNER IGNITER WIRES	20
WIRING DIAGRAM	21
Appendix A:Pages Index	A
Appendix B:Parts Index	B

BAKE BURNER AREA

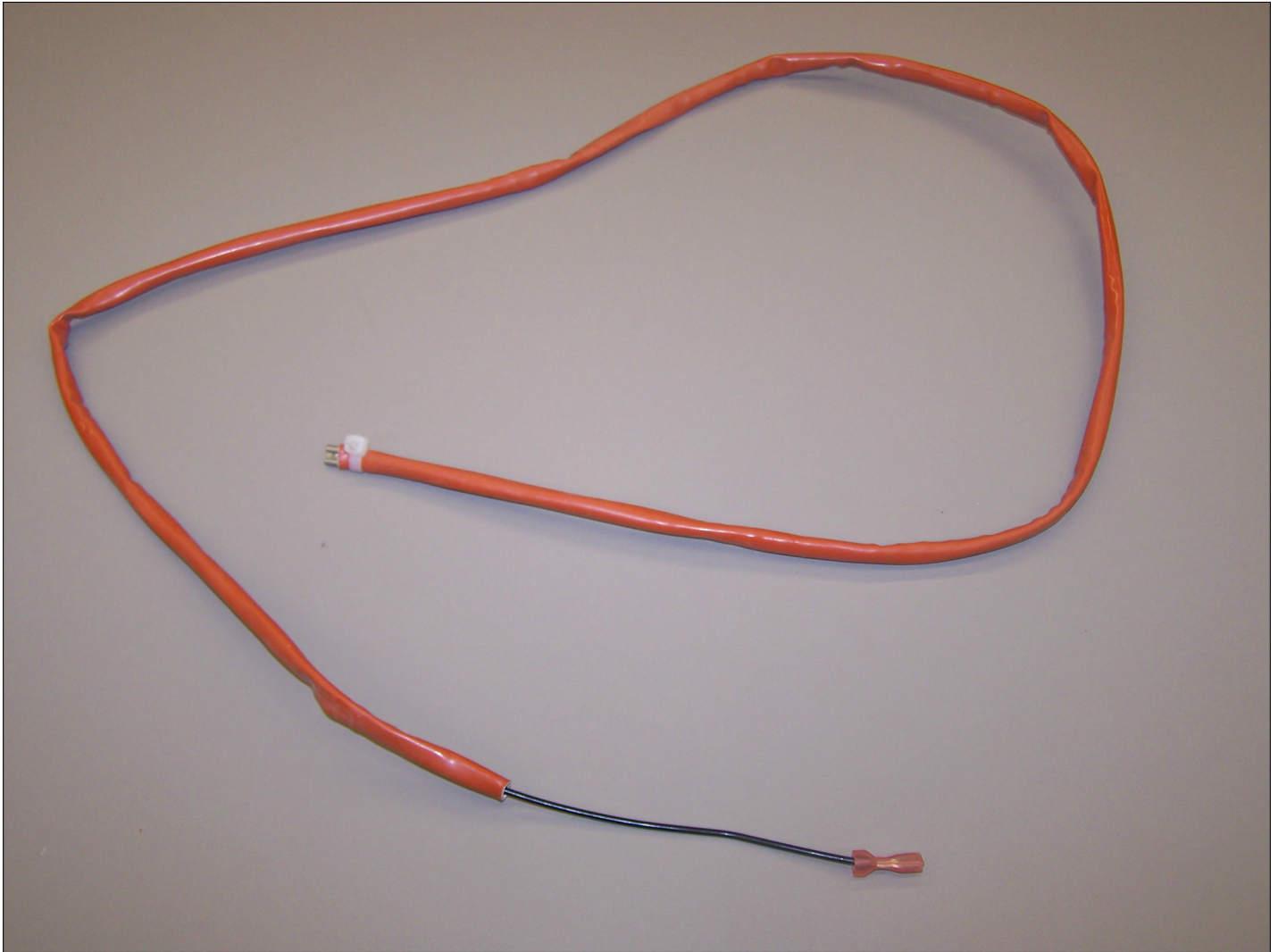




Item	Part No.	Name	Qty	Uom	NOTES
1	068458-000	ASM, BOTTOM, CAVITY, OVEN, GAS 36" GRAY		EA	
Not Shown	NOTE	(INCLUDES HEAT SHIELD)		EA	
2	PD020060	10 X 1/2" (5/16)HEX WSHER HD.(T)A		EA	
3	A2004424	BURNER COVER (VGSC306)		EA	
4	PB040172	3/8 X 3/8 ORIFICE FITTING (NAT)		EA	
5	A2004434	ORIFICE BRACKET (VGSC306)		EA	Not available online / Call for pricing and availability
6	B2004415	BURNER BRACKET (VGSC306)		EA	
7	PD020048	NO.10 X 1/2 TEK 410 SS SCREW		EA	
8	PB040170	BAKE IGNITION ELECTRODE		EA	
9	006200-000	U-SHAPE BAKE BURNER 10" NAT.		EA	



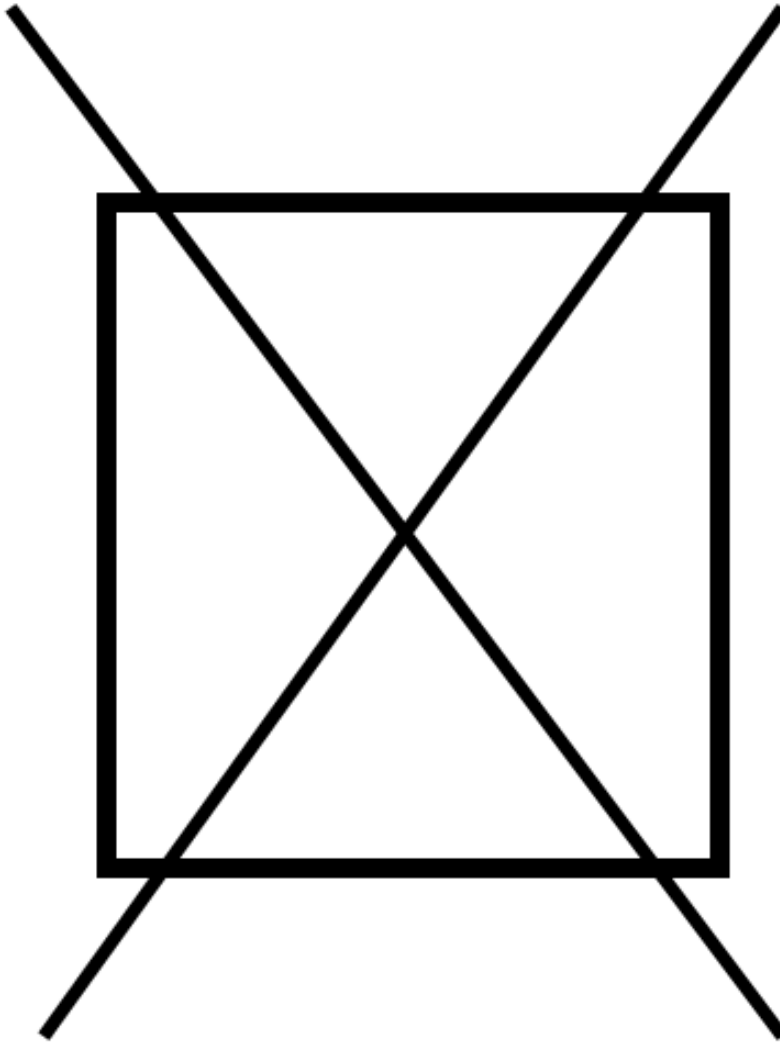
BAKE IGNITER WIRE





Item	Part No.	Name	Qty	Uom	NOTES
1	003143-000	BAKE IGNITOR WIRE 36"	1	EA	

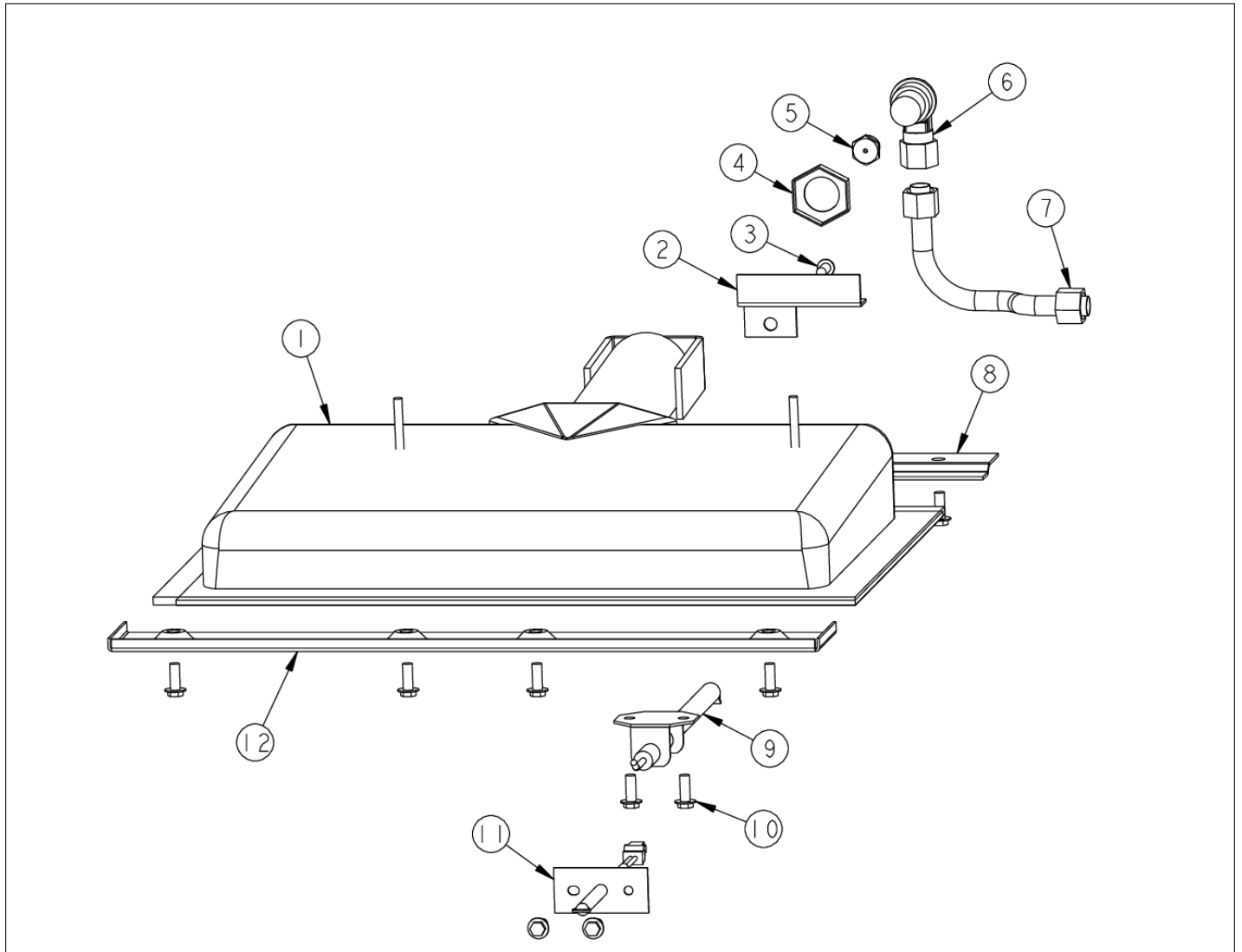
NON
ILLUSTRATED PART





Item	Part No.	Name	Qty	Uom	NOTES
1	001914-000	WIRE, ASSY, BROIL IGNITOR	1	EA	

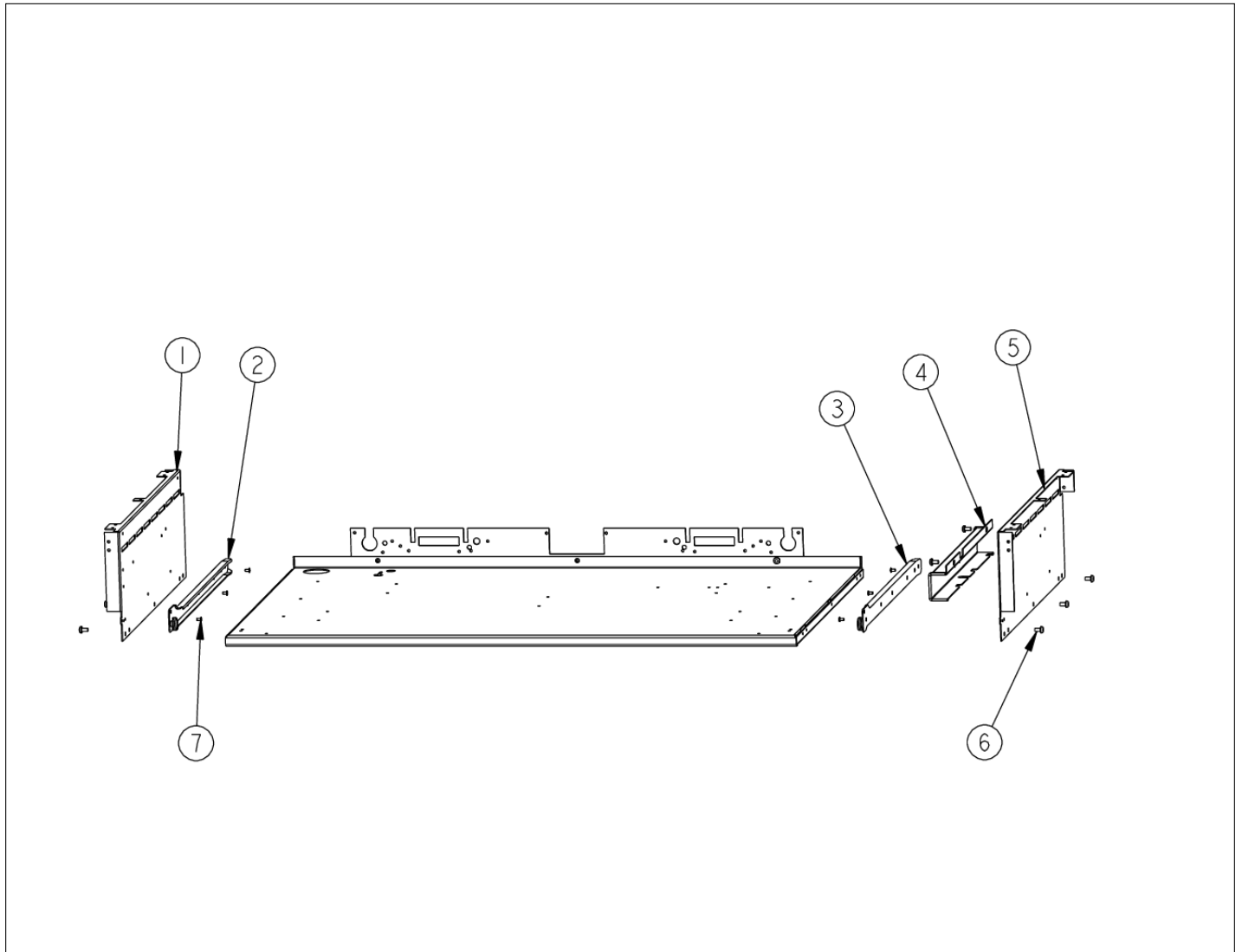
BROILER AREA





Item	Part No.	Name	Qty	Uom	NOTES
1	G3001876	IR BURNER ASSY (VGSC/RC) N/S	1	EA	
2	001348-000	BROIL INSULATION RETAINER	1	EA	NO LONGER AVAILABLE
3	PD020060	10 X 1/2" (5/16)HEX WSHER HD.(T)A	1	EA	
4	PD030018	PALNUT - 3/4-16	1	EA	
5	PB040040	ORIFICE-IR BURNER (VGSC)	1	EA	
6	PB040178	90 DEGREE ORIFICE FITTING (VGSC306)	1	EA	
7	000921-000	3/8" ALUM TUBING ELBOW	1	EA	
8	B2005589	REAR BROILER BRACKET	1	EA	Not available online / Call for pricing and availability
9	PB040171	BROIL IGNITION ELECTRODE	1	EA	
10	PD020048	NO.10 X 1/2 TEK 410 SS SCREW	1	EA	
11	PE050206	RTD THERMOSTAT PROBE	1	EA	
12	B2001448	IR BROIL SUPT (FRONT)	1	EA	

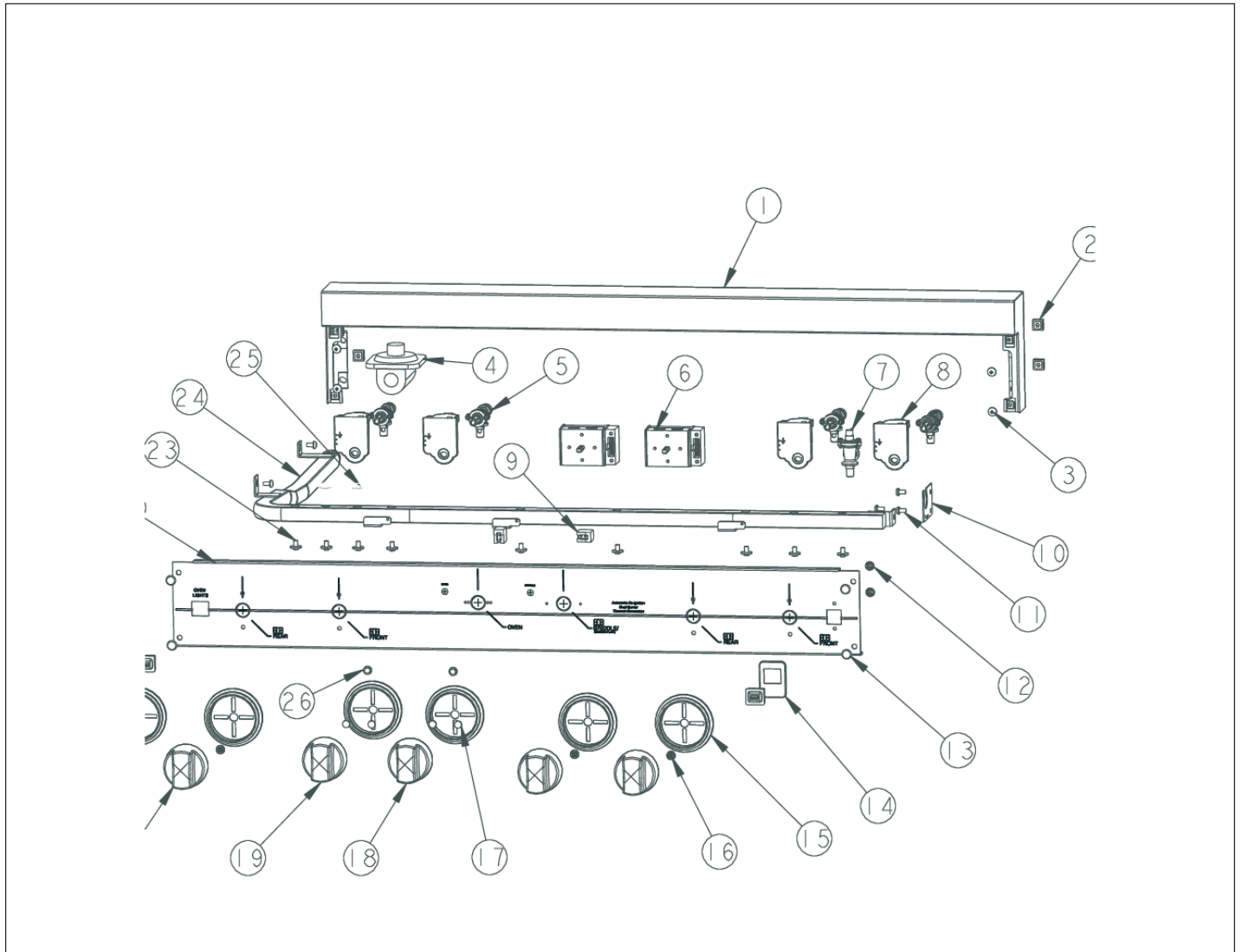
BURNER BOX INTERIOR





Item	Part No.	Name	Qty	Uom	NOTES
1	002889-000	BURNER BOX SIDE-LH	1	EA	NO LONGER AVAILABLE, Not available online / Call for pricing and availability
2	PK000007	DRIP TRAY GUIDE - LH (VGRT)	1	EA	NO LONGER AVAILABLE
3	PK000008	Drip Tray Guide - RH	1	EA	NO LONGER AVAILABLE
4	A2000210	WIRE CHANNEL	1	EA	NO LONGER AVAILABLE, Not available online / Call for pricing and availability
5	002888-000	BURNER BOX SIDE-RH	1	EA	NO LONGER AVAILABLE, Not available online / Call for pricing and availability
6	PD020004	10X3/8PH.HD.TYPE 25 REPL PD040125	1	EA	
7	PC040010	POP RIVET (.063/GR -.125) GAMD42-A	1	EA	

CONTROL AREA





Item	Part No.	Name	Qty	Uom	NOTES
1	G3001585	36" LANDING LEDGE	1	EA	
2	PD030005	SELF RETAINING NUT	1	EA	
3	PD010003	10-24 X 1/2 PH.TR.HD.SERD.M.S.	1	EA	
4	PA070003	PRESSURE REGULATOR	1	EA	
5	003515-000	PA010157 VALVE AND BOLT KIT	1	EA	
6	013213-000	TSTAT, SMPS, ELEC, 2-POS, .91" SHAFT, CB	1	EA	
7	007147-000	SHUTOFF VALVE ASSY	1	EA	
8	PA020058	IRIS SINGLE SPARK MODULE	1	EA	
9	PE050024	OVEN IND. LIGHT (LIGHT HOUSING)	1	EA	

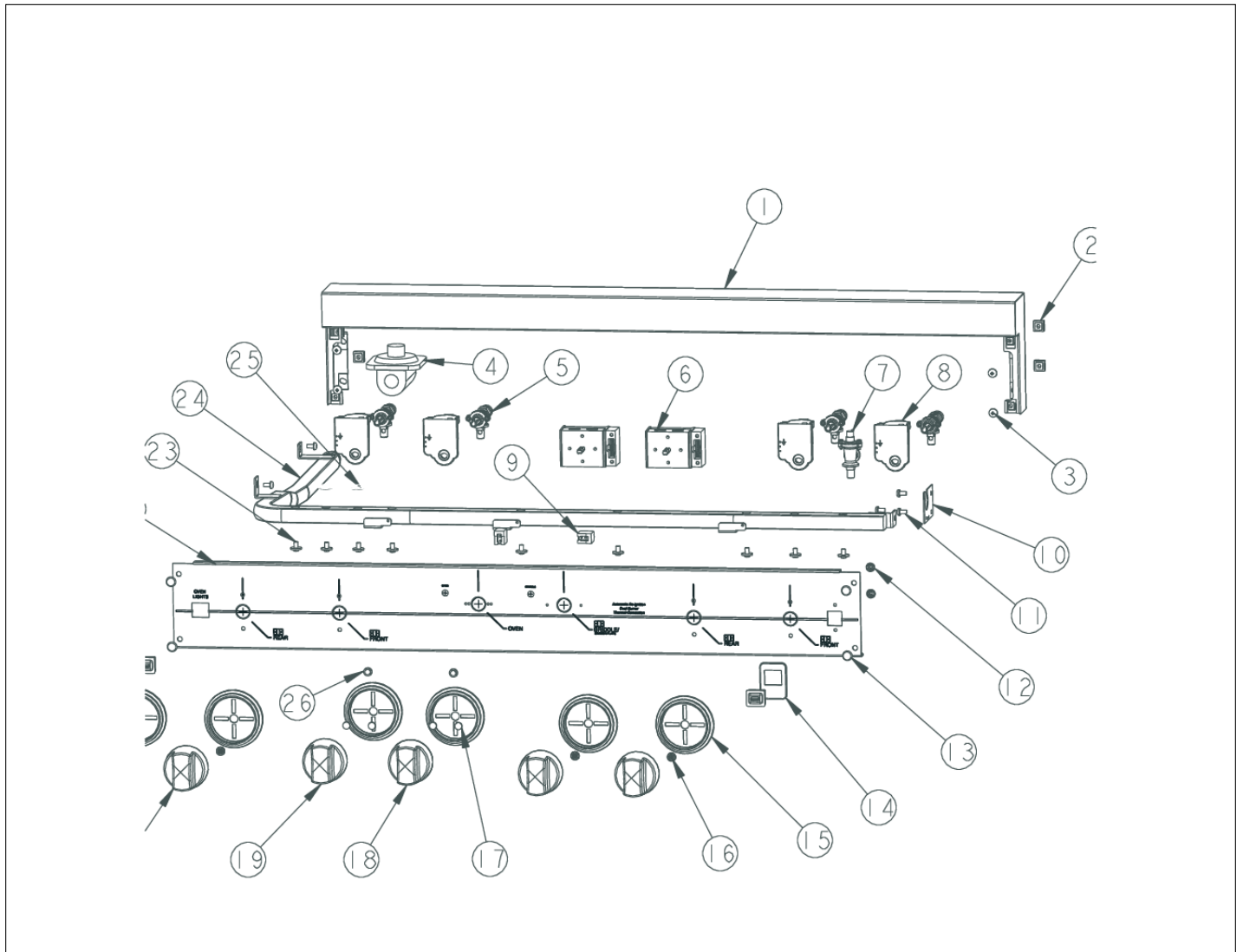
Comments for Part Num. PE050024

haarnink@vikingrange.com on Jan 14, 2019

please note that the indicator light is now part 043135-000 but needs the Jumper harness 051443-000. and second option there are units in the field with a 230V indicator light part number 036566-000.

please check this for all "E" module ranges/Tops

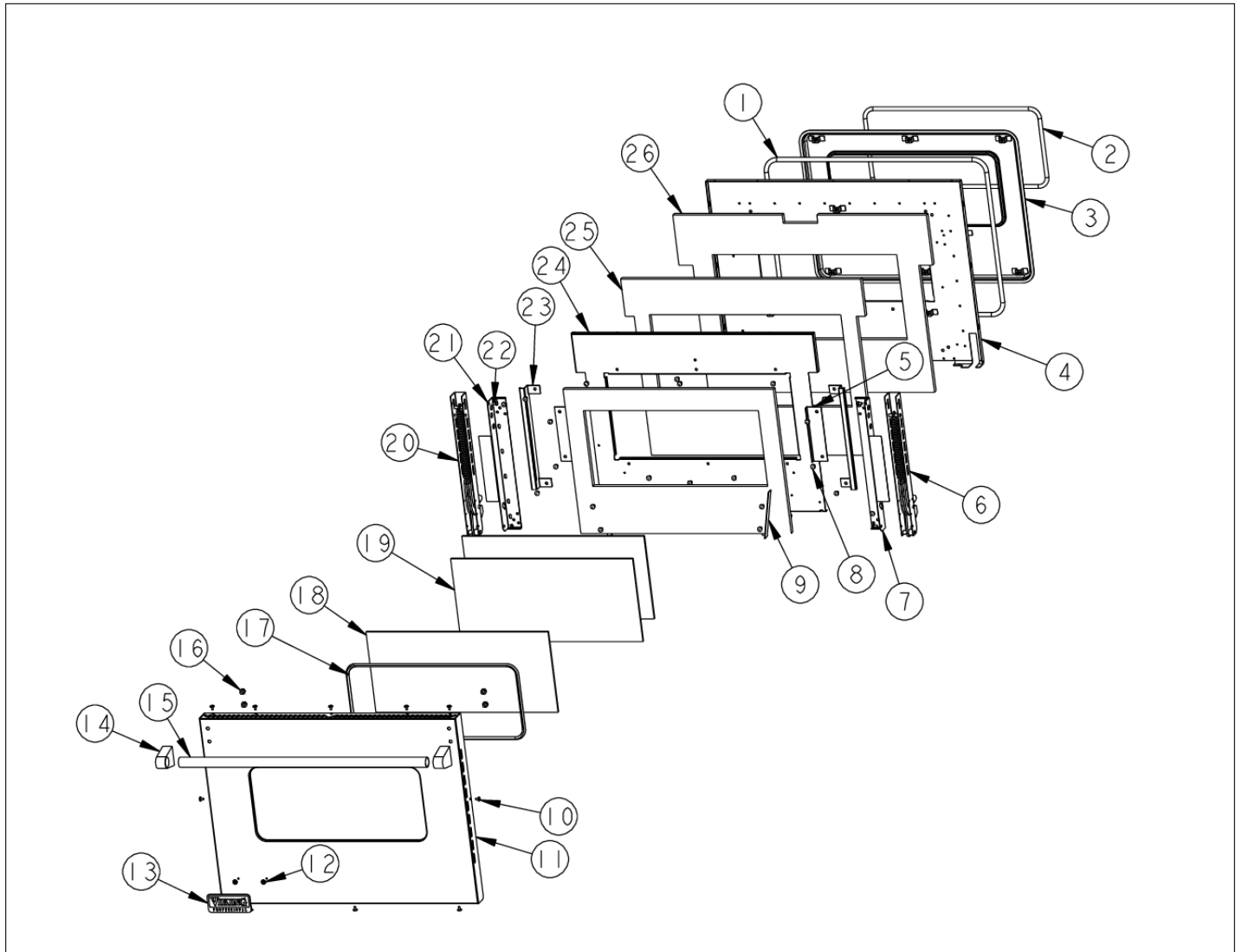
10	A1001138	MANIFOLD BRKT	1	EA	NO LONGER AVAILABLE, Not available online / Call for pricing and availability
11	PD020004	10X3/8PH.HD.TYPE 25 REPL PD040125	1	EA	
12	PD030006	CAPPED WASHER PAL NUT	1	EA	
13	PD020033	SRW-#10-24X1/2"T(23)PH.WFR HD (NKL)	1	EA	
14	PE010081	CONVECTION-LABEL/PLATE (CHROME)	1	EA	
14	PE010082	CONVECTION-LABEL/PLATE (*BR*)	1	EA	
15	050172-000	BEZEL, KNOB	1	EA	
15	PB010209	Bezel - BR	1	EA	
16	PD020046	' #8 X 1/2 SCREWS	1	EA	
17	PD020044	#8-32 X 1/4" PH. TR. HD. M.S.	1	EA	
18	000448-000	GRIDDLE KNOB *BK*	1	EA	





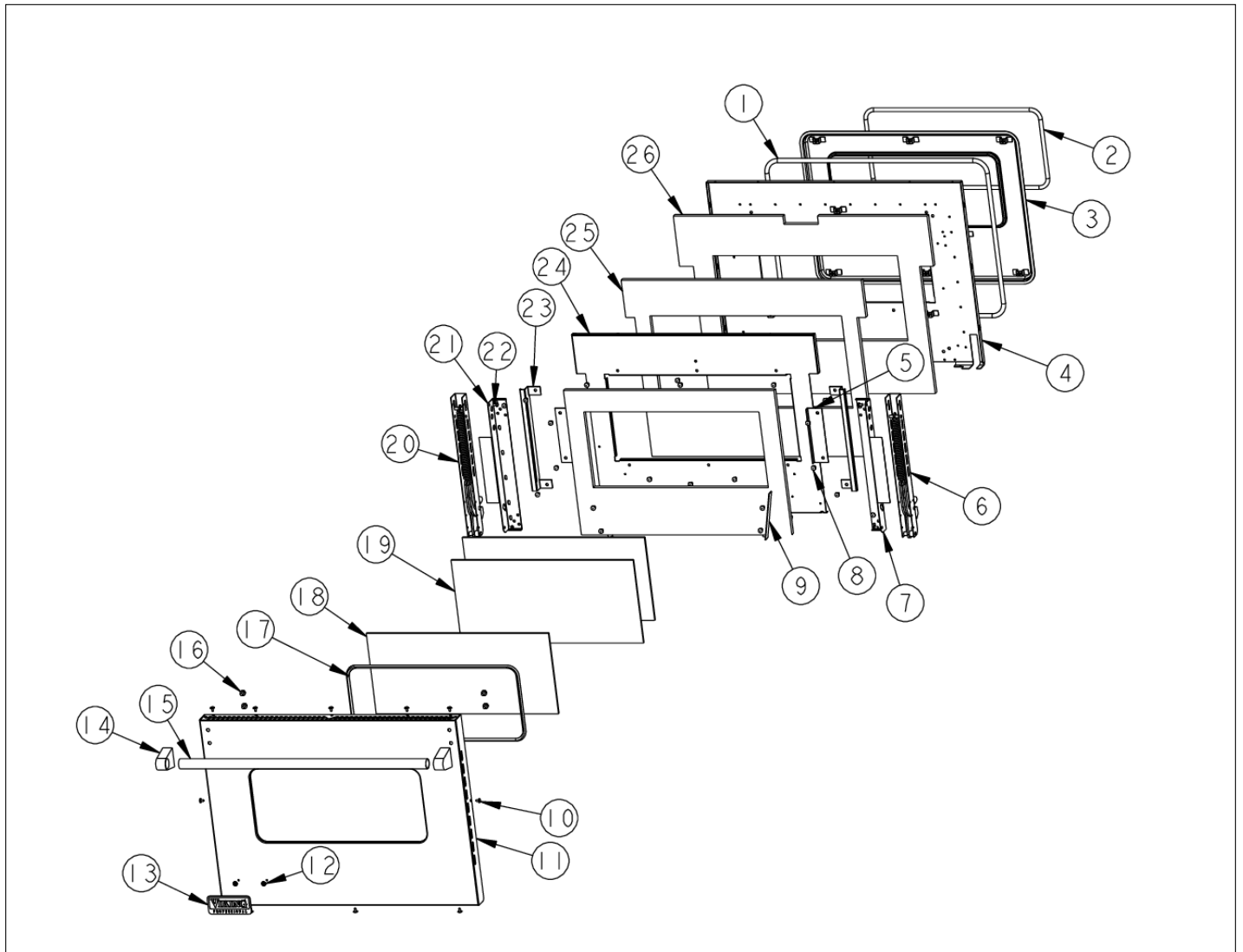
Item	Part No.	Name	Qty	Uom	NOTES
18	000448-006	GRIDDLE KNOB (WH) - NLA	1	EA	NO LONGER AVAILABLE
19	000447-000	THERMOSTAT KNOB SELF-CLEAN (BK)	1	EA	
19	000447-006	OVEN KNOB WITH BROIL(WH)	1	EA	
20	PB010206	TOP BURNER KNOB BK	1	EA	
20	PB010207	TOP BURNER KNOB WH	1	EA	Not available online / Call for pricing and availability
21	PE050016	OVEN LIGHT SWITCH - *BK* (WES-GAR)	1	EA	
21	PE050017	OVEN LIGHT SWITCH - *WH* (WES-GAR)	1	EA	
22	B9201281	CTRL PAN - VGRC365-4G *SLK SCR*	1	EA	
23	PD010012	1/4 x 3/8 VALVE BOLT	1	EA	
24	002158-000	36" UNIVERSAL MANIFOLD	1	EA	
25	002884-000	MANIFOLD PLUG	1	EA	
26	PE050023	OVEN IND. LIGHT (LENS & BEZEL)	1	EA	

DOOR ASSEMBLY

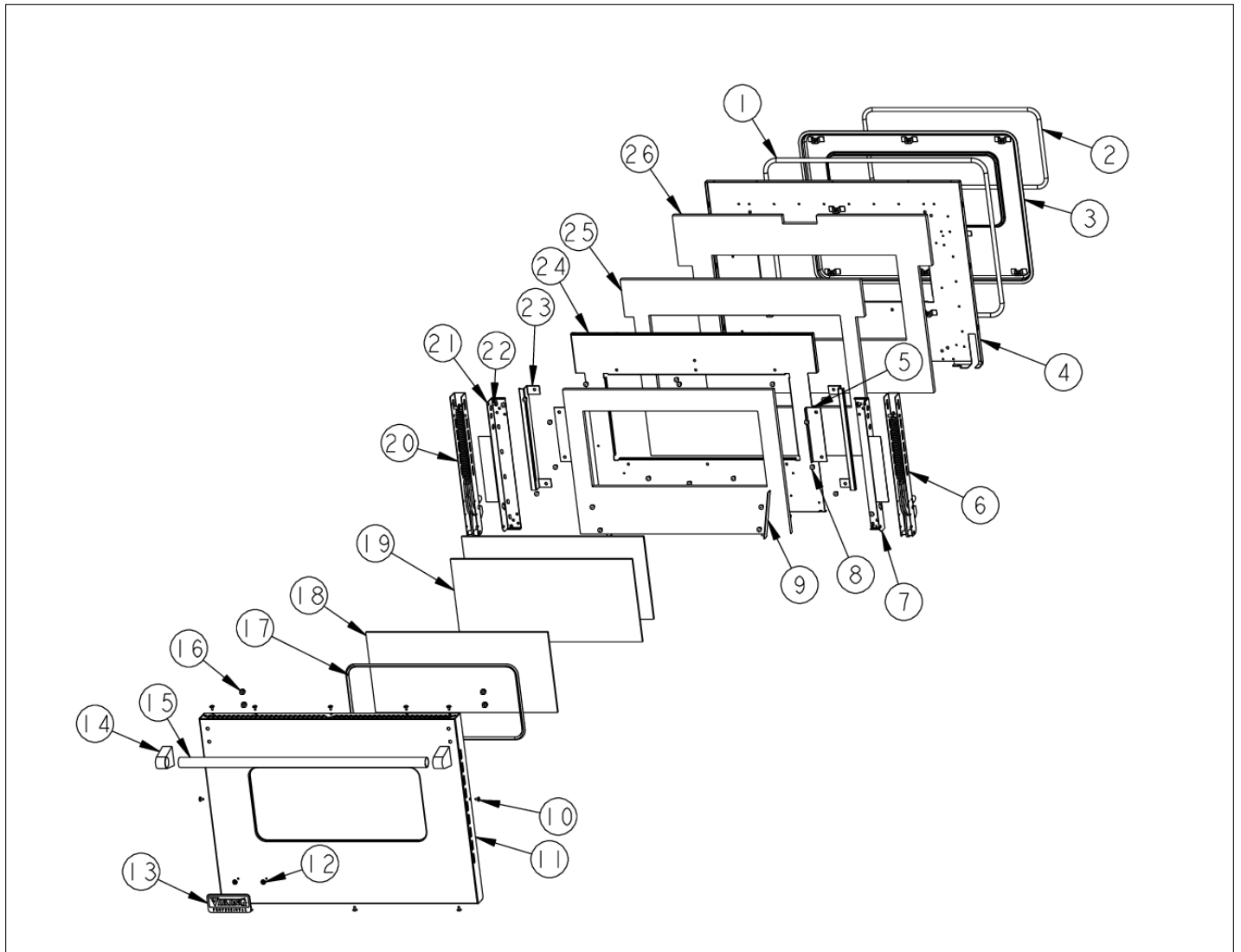




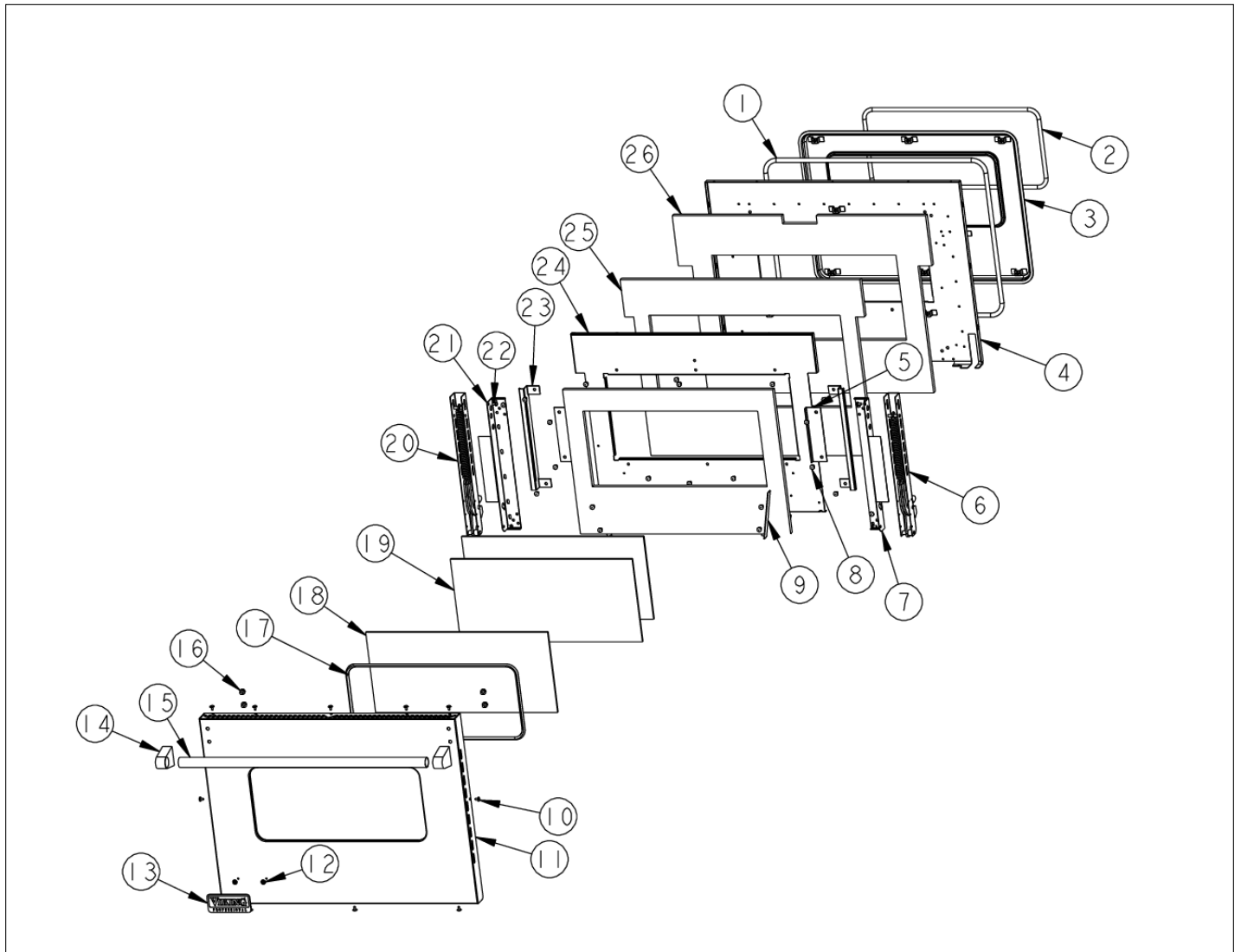
Item	Part No.	Name	Qty	Uom	NOTES
1	000090-000	36" DOOR GASKET	1	EA	
2	000594-000	BLACK FIBERGLASS ROPE 3/8	1	EA	
3	001399-000	DOOR PLUG ASSY PROC 36	1	EA	
4	001398-000	DOOR LINER ASSEMBLY PORC 36	1	EA	
5	A2002189	DOOR GLASS STANDOFF (VDSC)	1	EA	
6	PC020188	DOOR HINGE	1	EA	
7	000075-000	DOOR HINGE BRACKET	1	EA	Not available online / Call for pricing and availability
8	PD020002	10 X 1/2 PH.TR.HD.SMS.	1	EA	
9	A2002497	DOOR GUIDE ANGLE VDSC	1	EA	
10	PD020032	SRW-8(A)X3/8"PH.WFR HD 7/16DIA*NICL	1	EA	
11	B2002798	O/S DOOR PANEL *SS* (VDSC36)	1	EA	
11	C9002798AL	O/S DOOR PANEL-*AL* (VDSC36)	1	EA	NO LONGER AVAILABLE, Not available online / Call for pricing and availability
11	C9002798BK	O/S DOOR PANEL-*BK* (VDSC36)	1	EA	NO LONGER AVAILABLE
11	C9002798BT	O/S DOOR PANEL-*BT* (VDSC36)	1	EA	NO LONGER AVAILABLE, Not available online / Call for pricing and availability
11	C9002798BU	O/S DOOR PANEL-*BU* (VDSC36)	1	EA	NO LONGER AVAILABLE
11	C9002798CB	O/S DOOR PANEL-*CB* (VDSC36)	1	EA	NO LONGER AVAILABLE
11	C9002798EP	O/S DOOR PANEL-*EP* (VDSC36)	1	EA	NO LONGER AVAILABLE
11	C9002798FG	O/S DOOR PANEL-*FG* (VDSC36)	1	EA	NO LONGER AVAILABLE, Not available online / Call for pricing and availability
11	C9002798GG	O/S DOOR PANEL-*GG* (VDSC36)	1	EA	



Item	Part No.	Name	Qty	Uom	NOTES
11	C9002798LE	O/S DOOR PANEL-*LE* (VDSC36)	1	EA	NO LONGER AVAILABLE, Not available online / Call for pricing and availability
11	C9002798MJ	O/S DOOR PANEL_*MJ* (VDSC36)	1	EA	Not available online / Call for pricing and availability
11	C9002798SG	O/S DOOR PANEL-*SG* (VDSC36)	1	EA	NO LONGER AVAILABLE, Not available online / Call for pricing and availability
11	C9002798VB	O/S DOOR PANEL-*VB* (VDSC36)	1	EA	NO LONGER AVAILABLE, Not available online / Call for pricing and availability
11	C9002798WH	O/S DOOR PANEL-*WH* (VDSC36)	1	EA	Not available online / Call for pricing and availability
12	PD030006	CAPPED WASHER PAL NUT	1	EA	
13	PE010030	LOGO	1	EA	
13	PE010068	LOGO 6" (VGRC) BK/BR	1	EA	
13	PE010031	LOGO 6" (VGRC) *BK/WH*	1	EA	NO LONGER AVAILABLE
13	PE010076	LOGO 6" (VGRC) *BR/WH*	1	EA	NO LONGER AVAILABLE
14	000268-000	HANDLE ENDCAP	1	EA	
14	PE030001PVD	END CAP DOOR HANDLE *BR	1	EA	
15	PE030006	DOOR HANDLE - 36" (VGRC)	1	EA	
15	PE030013PVD	DOOR HANDLE (36") PVD - NLA	1	EA	NO LONGER AVAILABLE
16	PD010019	BLT-1/4-20X3/8"HEX WASHER SERATED	1	EA	
17	PE060031	J-MOLD (LARGE WINDOW)	1	EA	
17	PE060045	J-MOLD (LARGE WINDOW) *BR*	1	EA	
18	PE060030	OUTER DOOR GLASS	1	EA	
19	PE060039	GLASS-HEAT TREATED (HB2) VDSC	1	EA	
20	PC020223	DOOR HINGE (LONG SPRING) NSF	1	EA	

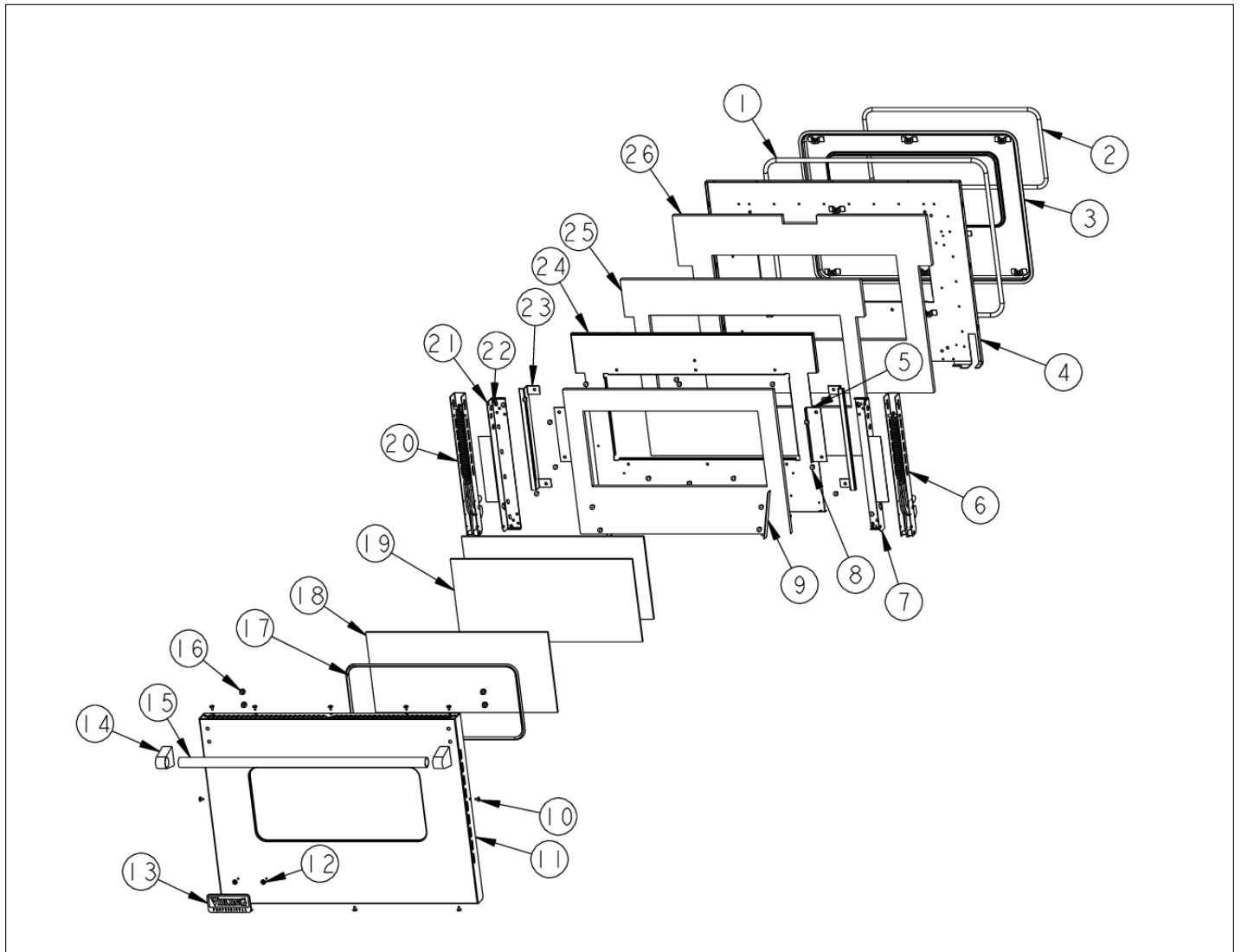


Item	Part No.	Name	Qty	Uom	NOTES
21	000932-000	DOOR HINGE BRACKET	1	EA	Not available online / Call for pricing and availability
22	PD020004	10X3/8PH.HD.TYPE 25 REPL PD040125	1	EA	
23	A2002367	DOOR GLASS BRKT	1	EA	
24	A20015329	DOOR INSULATION RETAINER	1	EA	
25	002561-000	36" DOOR INSULATION	1	EA	
26	002562-000	36" DOOR PLUG INSULATION	1	EA	
NI	000957-007	DOOR ASSY 36 (AL)	1	EA	NO LONGER AVAILABLE, Not available online / Call for pricing and availability
NI	000957-107	DOOR ASSEMBLY 36 (ALBR)	1	EA	NO LONGER AVAILABLE, Not available online / Call for pricing and availability
NI	000957-002	DOOR ASSY 36 (BK)	1	EA	NO LONGER AVAILABLE, Not available online / Call for pricing and availability
NI	000957-102	DOOR ASSEMBLY 36 (BKBR)	1	EA	NO LONGER AVAILABLE, Not available online / Call for pricing and availability
NI	000957-003	DOOR ASSY 36 (BT)	1	EA	NO LONGER AVAILABLE, Not available online / Call for pricing and availability
NI	000957-103	DOOR ASSEMBLY 36 (BTBR)	1	EA	NO LONGER AVAILABLE, Not available online / Call for pricing and availability
NI	000957-008	DOOR ASSY 36 (BU)	1	EA	NO LONGER AVAILABLE, Not available online / Call for pricing and availability
NI	000957-108	DOOR ASSEMBLY 36 (BUBR)	1	EA	NO LONGER AVAILABLE, Not available online / Call for pricing and availability



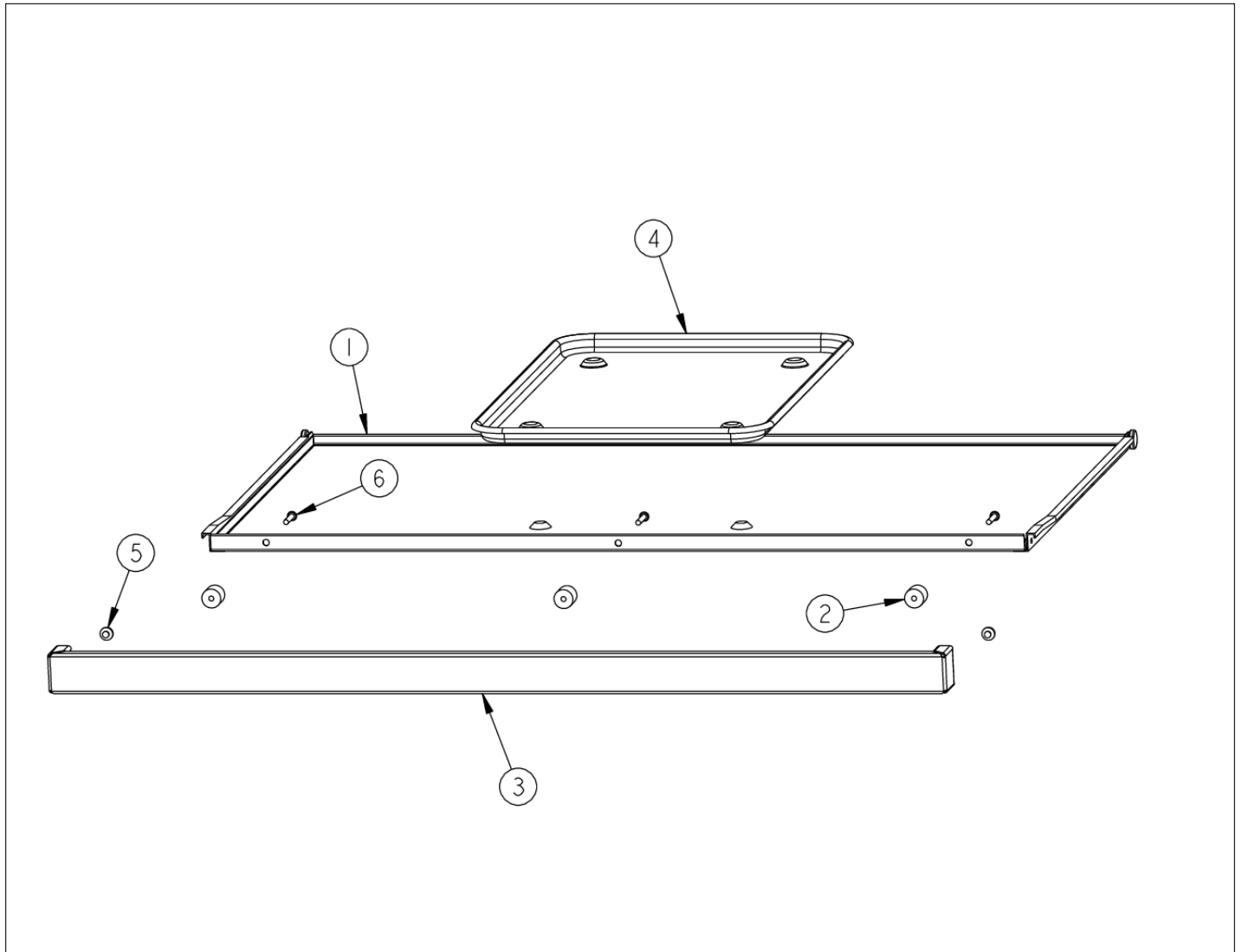


Item	Part No.	Name	Qty	Uom	NOTES
NI	000957-013	DOOR ASSEMBLY 36 (CB)	1	EA	NO LONGER AVAILABLE, Not available online / Call for pricing and availability
NI	000957-113	DOOR ASSEMBLY 36 (CBBR)	1	EA	NO LONGER AVAILABLE, Not available online / Call for pricing and availability
NI	000957-014	DOOR ASSEMBLY 36 (EP)	1	EA	NO LONGER AVAILABLE, Not available online / Call for pricing and availability
NI	000957-114	DOOR ASSEMBLY 36 (EPBR)	1	EA	NO LONGER AVAILABLE, Not available online / Call for pricing and availability
NI	000957-011	DOOR ASSEMBLY 36 (FG)	1	EA	NO LONGER AVAILABLE, Not available online / Call for pricing and availability
NI	000957-111	DOOR ASSEMBLY 36 (FGBR)	1	EA	NO LONGER AVAILABLE, Not available online / Call for pricing and availability
NI	000957-005	DOOR ASSY 36 (GG)	1	EA	
NI	000957-105	DOOR ASSEMBLY 36 (WHBR)	1	EA	NO LONGER AVAILABLE, Not available online / Call for pricing and availability
NI	000957-009	DOOR ASSEMBLY 36 (LE)	1	EA	NO LONGER AVAILABLE, Not available online / Call for pricing and availability
NI	000957-109	DOOR ASSEMBLY 36 (LEBR)	1	EA	NO LONGER AVAILABLE, Not available online / Call for pricing and availability
NI	000957-010	DOOR ASSEMBLY 36 (MJ)	1	EA	NO LONGER AVAILABLE, Not available online / Call for pricing and availability



Item	Part No.	Name	Qty	Uom	NOTES
NI	000957-110	DOOR ASSEMBLY 36 (MJBR)	1	EA	NO LONGER AVAILABLE, Not available online / Call for pricing and availability
NI	000957-004	DOOR ASSY 36 (SG)	1	EA	NO LONGER AVAILABLE, Not available online / Call for pricing and availability
NI	000957-104	DOOR ASSEMBLY 36 (SGBR)	1	EA	NO LONGER AVAILABLE, Not available online / Call for pricing and availability
NI	000957-000	DOOR ASSEMBLY 36	1	EA	Not available online / Call for pricing and availability
NI	000957-100	DOOR ASSEMBLY 36" (SSBR)	1	EA	NO LONGER AVAILABLE, Not available online / Call for pricing and availability
NI	000957-012	DOOR ASSEMBLY 36 (VB)	1	EA	NO LONGER AVAILABLE, Not available online / Call for pricing and availability
NI	000957-112	DOOR ASSEMBLY 36 (VBBR)	1	EA	NO LONGER AVAILABLE, Not available online / Call for pricing and availability
NI	000957-006	DOOR ASSY 36 (WH)	1	EA	Not available online / Call for pricing and availability
NI	000957-106	DOOR ASSEMBLY 36 (WHBR)	1	EA	NO LONGER AVAILABLE, Not available online / Call for pricing and availability

DRIP TRAY



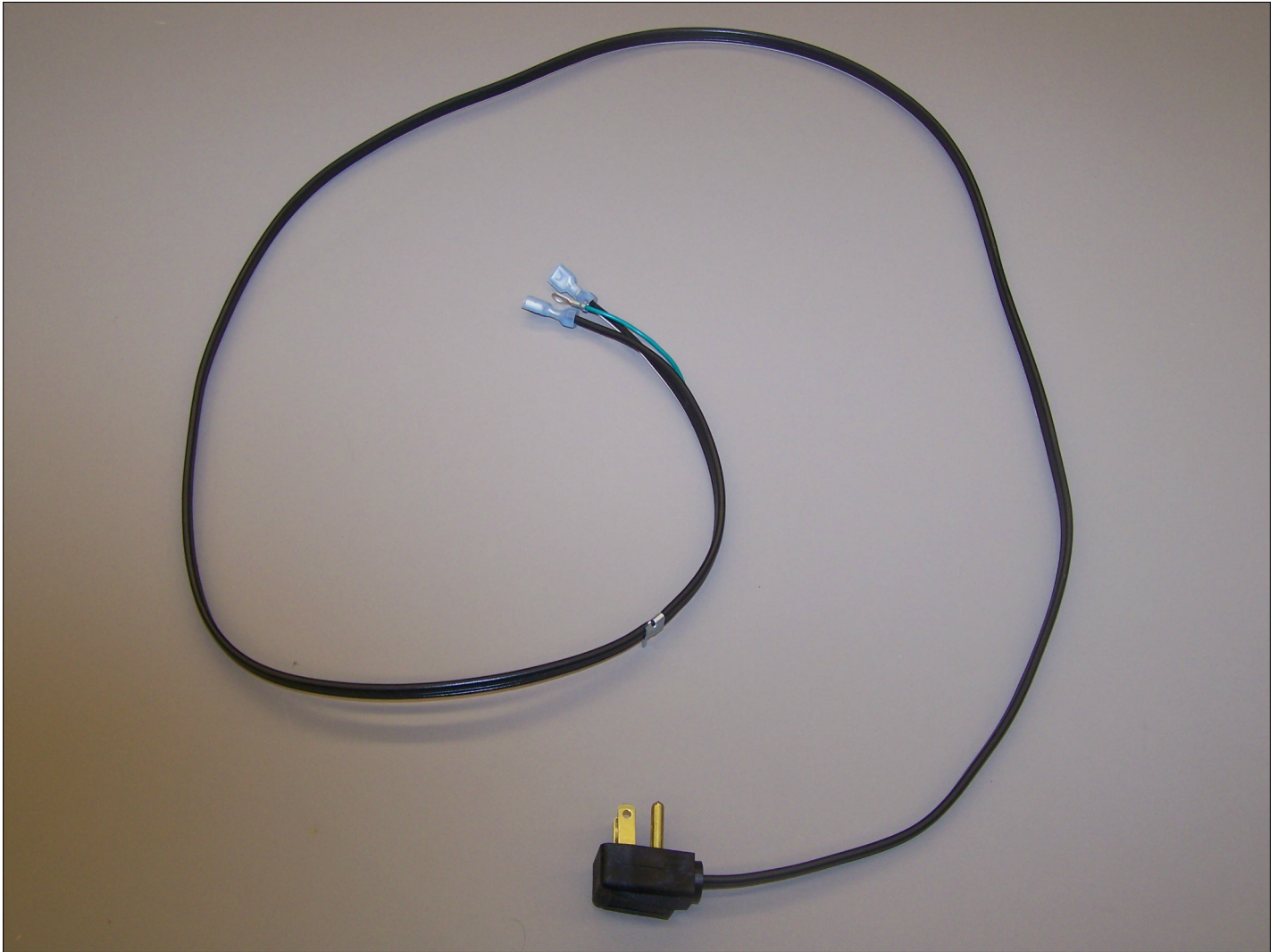


Item	Part No.	Name	Qty	Uom	NOTES
1	G30010455	36" DRIP TAY ASSY, NLA	1	EA	
2	PD040028	BUSHING(.194ID/.750OD/.750L ONG)	1	EA	
3	G30010696	DRIP TRAY HANDLE ASSY 36"	1	EA	
3	G93011459PVD	False Tray Handle - 6B (BR) - NLA	1	EA	
4	J2101749	GREASE PAN	1	EA	
5	PD040004	GROMMET BUMPER	1	EA	
6	PD020079	#10 X 1 1/4 PH. PAN HD. T(A) NYLOK	1	EA	



VGIC366-4G

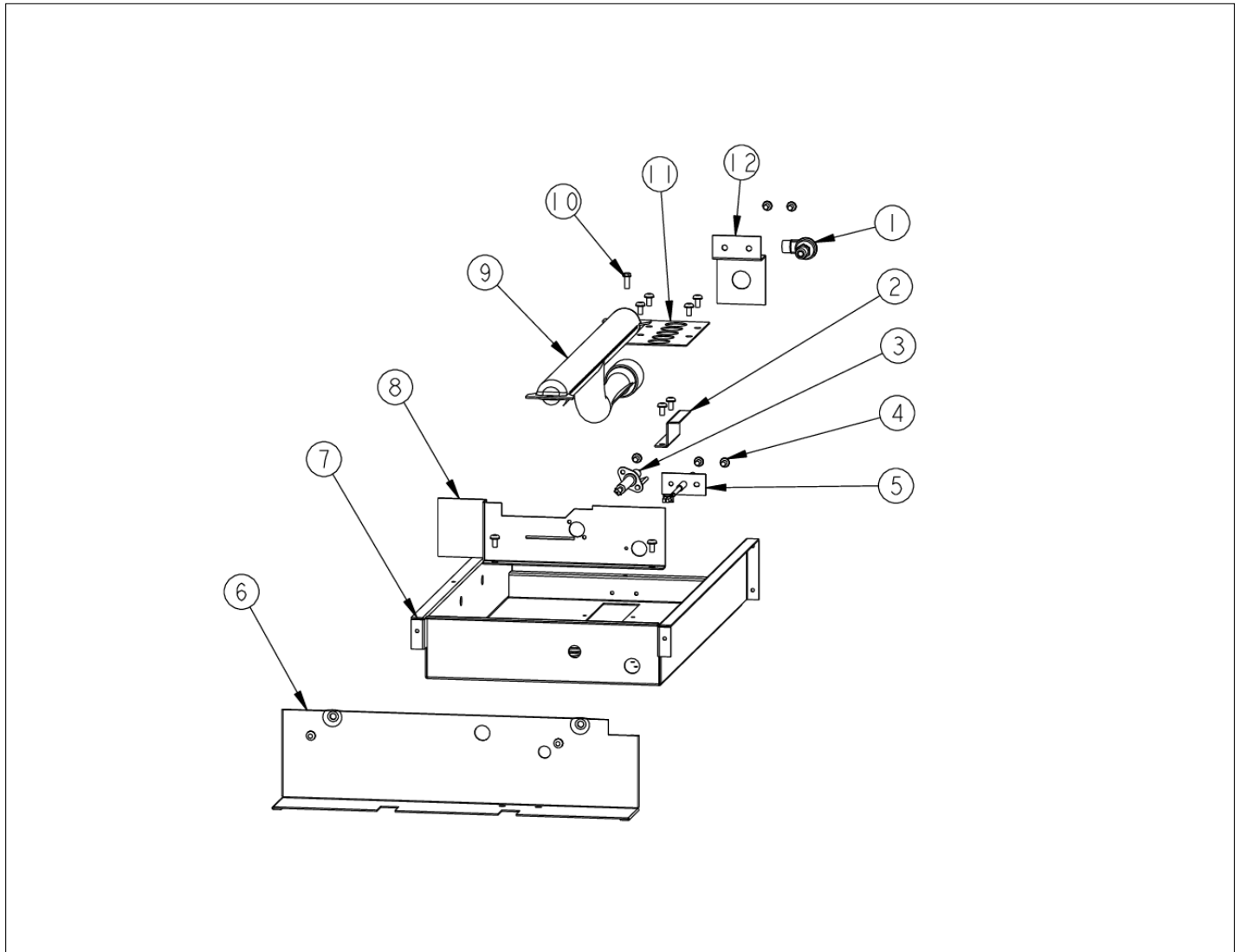
G4008493 SUPPLY CORD





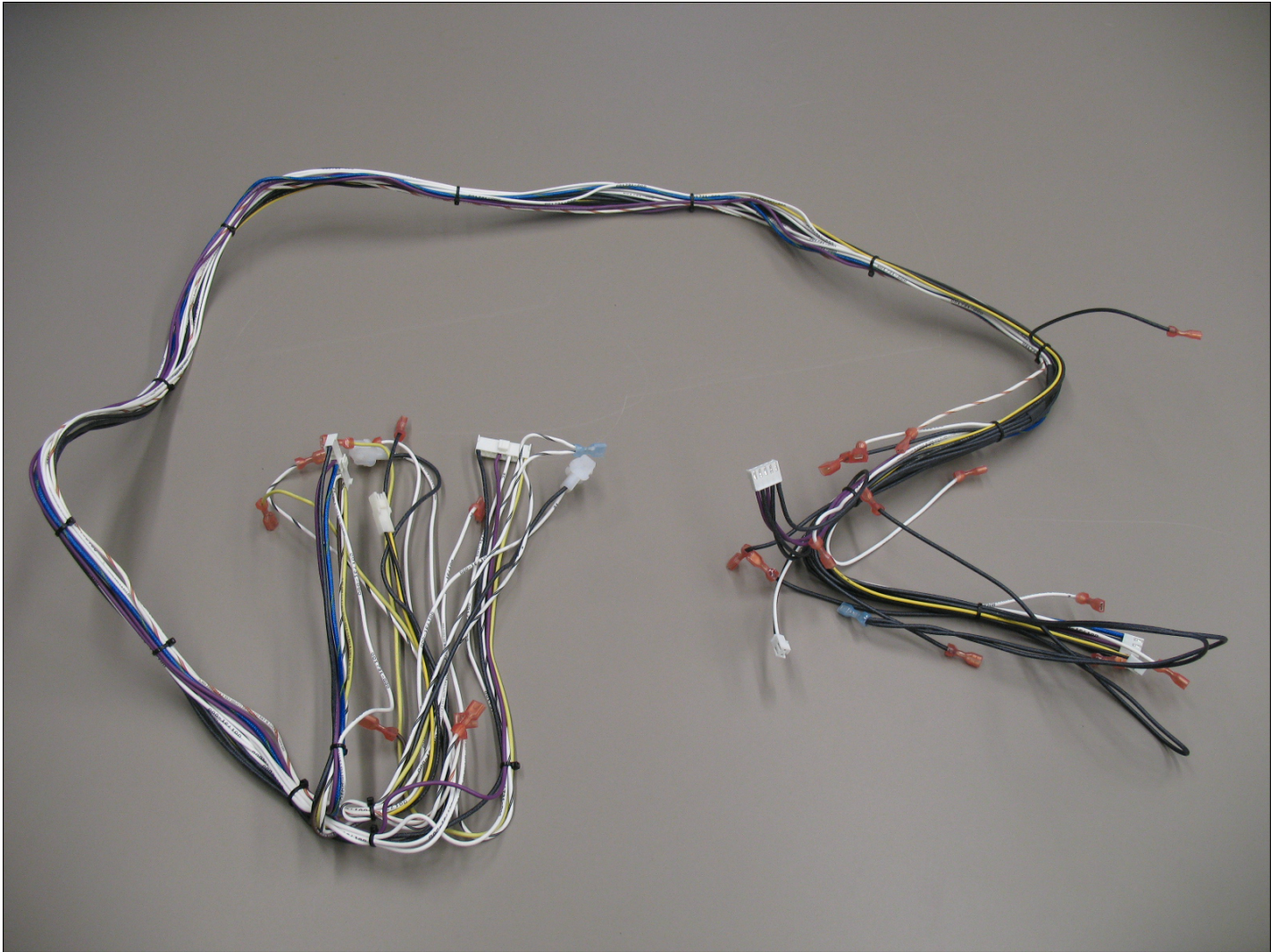
Item	Part No.	Name	Qty	Uom	NOTES
1	G4008493	SUPPLY CORD ASSY- VGSU	1	EA	

GRIDDLE SUBASSEMBLY





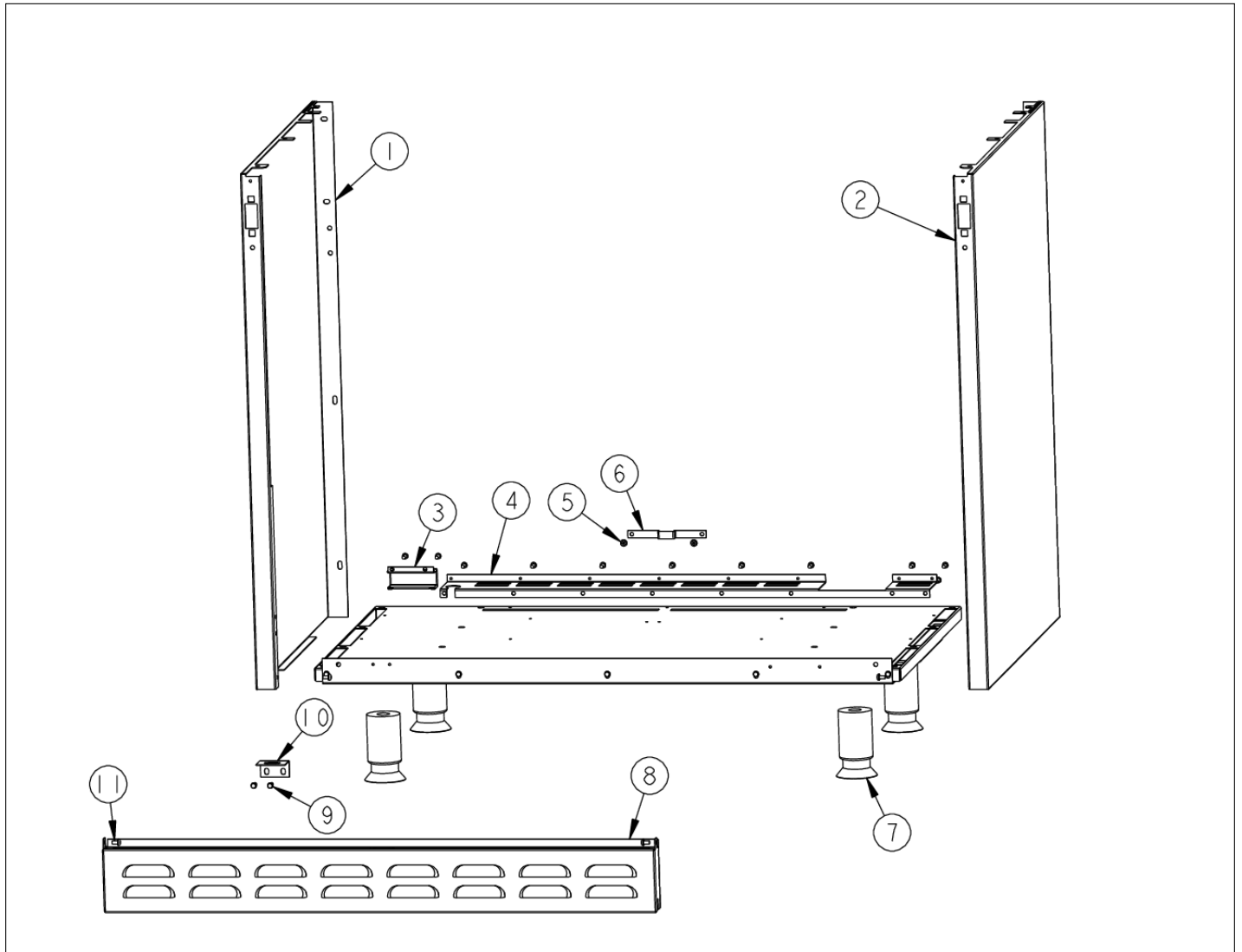
Item	Part No.	Name	Qty	Uom	NOTES
1	PB040190	90 DEGREE ORIFICE FITTING #50 NAT	1	EA	
2	000971-000	RTD GRIDDLE SHIELD - NLA	1	EA	NO LONGER AVAILABLE
3	008091-000	PB040288 IGNITOR KIT	1	EA	
4	PD020004	10X3/8PH.HD.TYPE 25 REPL PD040125	1	EA	
5	PE050206	RTD THERMOSTAT PROBE	1	EA	
6	001361-000	THERMOSTAT COVER	1	EA	NO LONGER AVAILABLE, Not available online / Call for pricing and availability
7	001437-000	GRIDDLE BOX	1	EA	NO LONGER AVAILABLE, Not available online / Call for pricing and availability
8	001436-000	GRIDDLE HEAT BAFFLE	1	EA	NO LONGER AVAILABLE, Not available online / Call for pricing and availability
9	PDB050077	GRIDDLE/GRILL BURNER	1	EA	Not available online / Call for pricing and availability
10	PD020060	10 X 1/2" (5/16)HEX WSHER HD.(T)A	1	EA	
11	A1007861	Griddle Venturi Cover	1	EA	Not available online / Call for pricing and availability
12	001625-000	GRIDDLE ORIFICE BRACKET	1	EA	NO LONGER AVAILABLE, Not available online / Call for pricing and availability



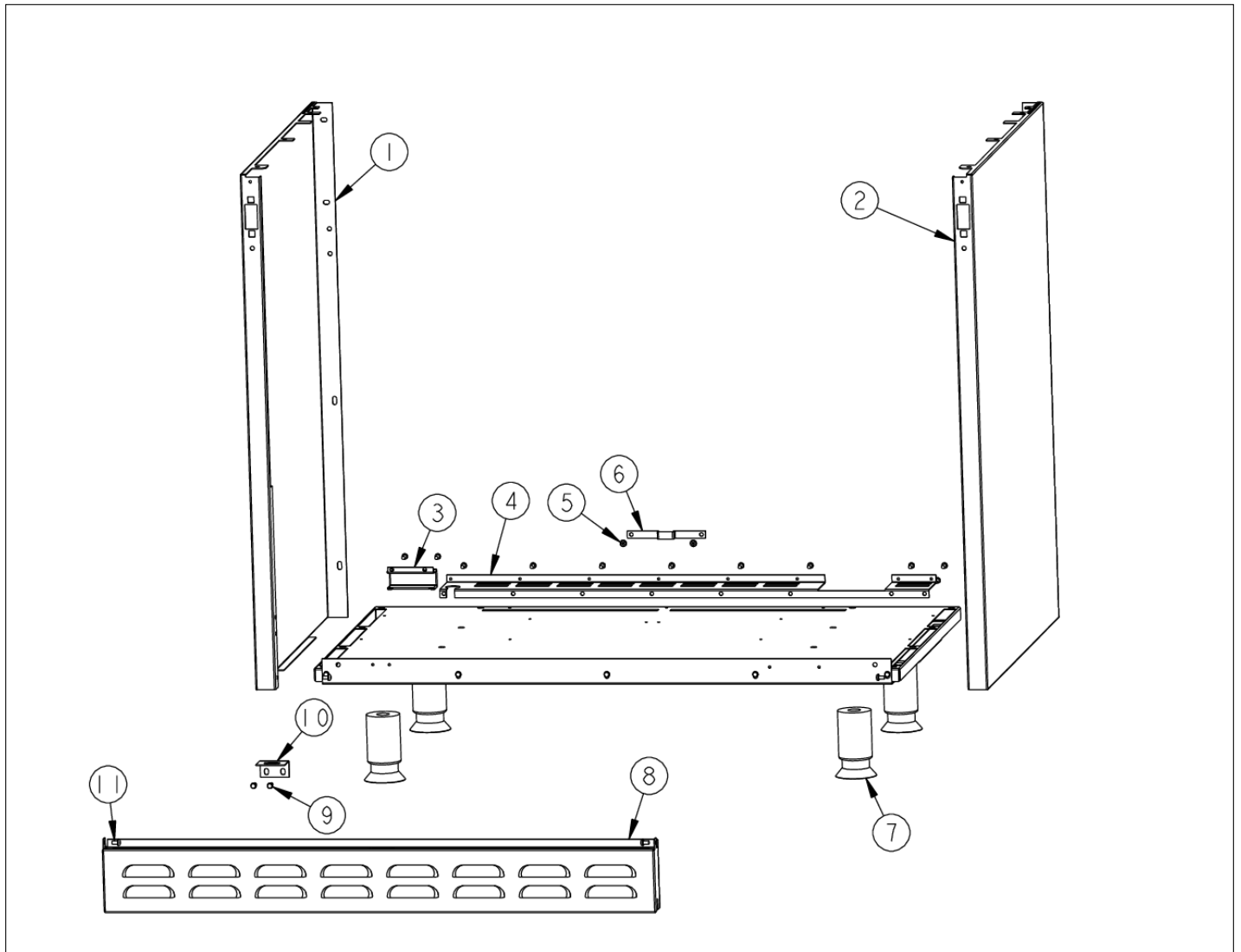


Item	Part No.	Name	Qty	Uom	NOTES
1	001731-000	HARNESS VGIC364G	1	EA	

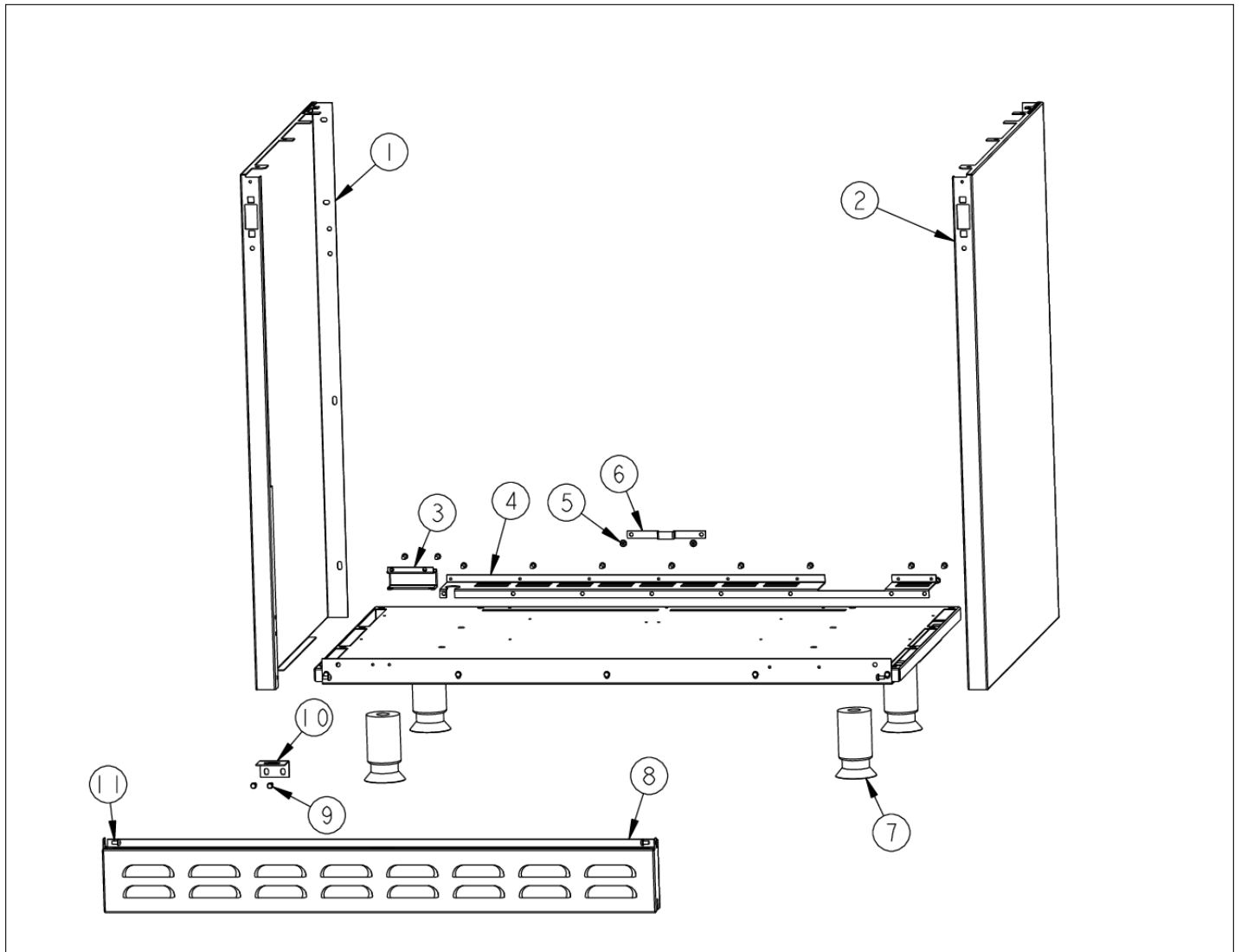
LOWER UNIT AREA



Item	Part No.	Name	Qty	Uom	NOTES
1	B20010180	O/S BODY PANEL - LH	1	EA	
1	C90010180AL	SIDE PANEL LH *AL*	1	EA	NO LONGER AVAILABLE, Not available online / Call for pricing and availability
1	C90010180BK	SIDE PANEL LH *BK*	1	EA	Not available online / Call for pricing and availability
1	C90010180BT	SIDE PANEL LH *BT*	1	EA	NO LONGER AVAILABLE, Not available online / Call for pricing and availability
1	C90010180BU	SIDE PANEL LH *BU*	1	EA	
1	C90010180CB	SIDE PANEL LH *CB*	1	EA	NO LONGER AVAILABLE
1	C90010180EP	SIDE PANEL LH *EP*	1	EA	NO LONGER AVAILABLE, Not available online / Call for pricing and availability
1	C90010180FG	SIDE PANEL LH *FG*	1	EA	NO LONGER AVAILABLE, Not available online / Call for pricing and availability
1	C90010180GG	SIDE PANEL LH *GG*	1	EA	NO LONGER AVAILABLE, Not available online / Call for pricing and availability
1	C90010180LE	SIDE PANEL LH *LE*	1	EA	NO LONGER AVAILABLE, Not available online / Call for pricing and availability
1	C90010180MJ	SIDE PANEL LH *MJ*	1	EA	
1	C90010180SG	SIDE PANEL LH *SG*	1	EA	NO LONGER AVAILABLE, Not available online / Call for pricing and availability
1	C90010180VB	SIDE PANEL LH *VB*	1	EA	NO LONGER AVAILABLE, Not available online / Call for pricing and availability
1	C90010180WH	SIDE PANEL LH *WH*	1	EA	
2	B20010179	O/S BODY PANEL - RH	1	EA	

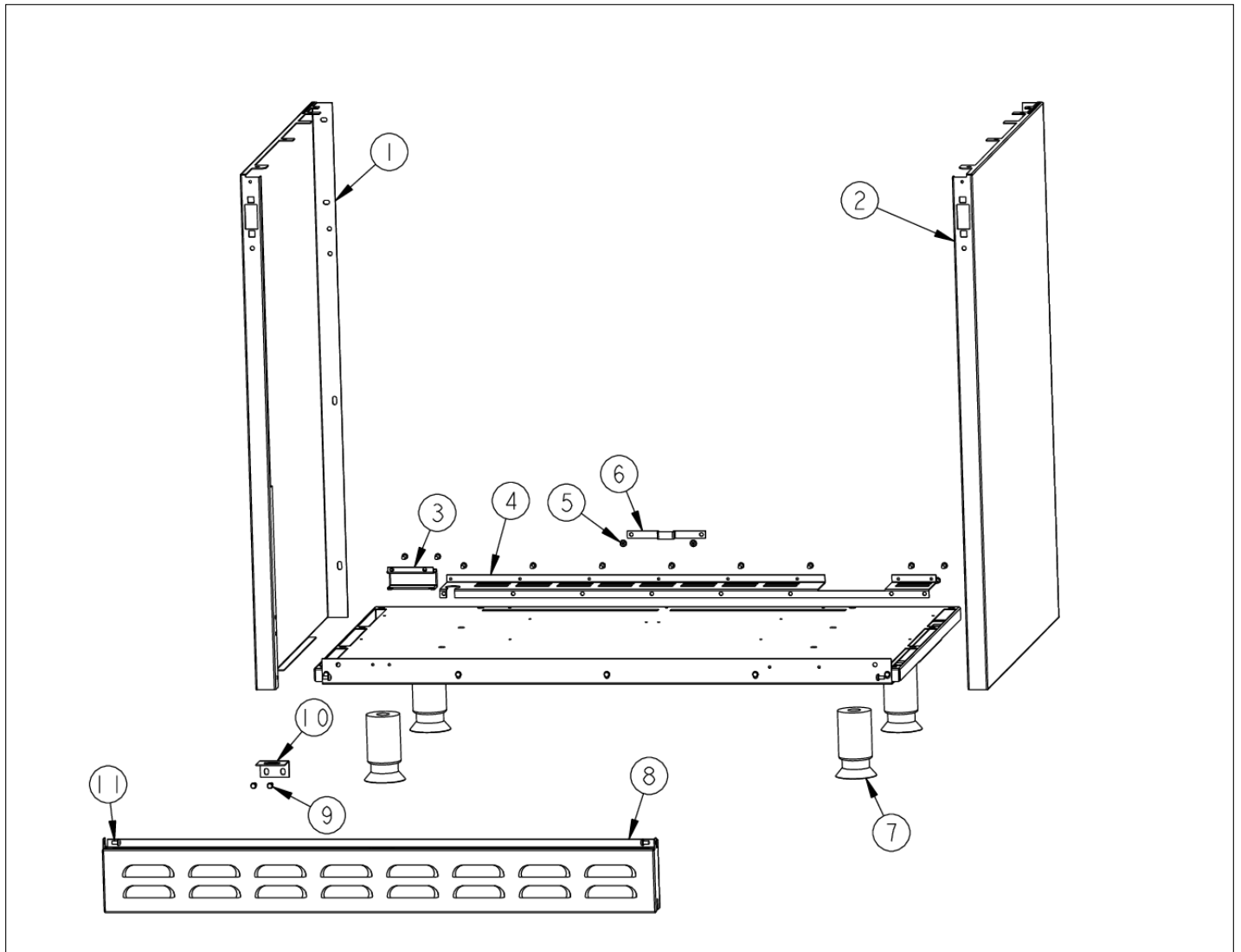


Item	Part No.	Name	Qty	Uom	NOTES
2	C90010179AL	SIDE PANEL RH *AL*	1	EA	NO LONGER AVAILABLE, Not available online / Call for pricing and availability
2	C90010179BK	SIDE PANEL RH *BK*	1	EA	NO LONGER AVAILABLE
2	C90010179BT	SIDE PANEL RH *BT*	1	EA	NO LONGER AVAILABLE, Not available online / Call for pricing and availability
2	C90010179BU	SIDE PANEL RH *BU*	1	EA	Not available online / Call for pricing and availability
2	C90010179CB	SIDE PANEL RH *CB*	1	EA	NO LONGER AVAILABLE
2	C90010179EP	SIDE PANEL RH *EP*	1	EA	NO LONGER AVAILABLE, Not available online / Call for pricing and availability
2	C90010179FG	SIDE PANEL RH *FG*	1	EA	NO LONGER AVAILABLE, Not available online / Call for pricing and availability
2	C90010179GG	SIDE PANEL RH *GG*	1	EA	NO LONGER AVAILABLE, Not available online / Call for pricing and availability
2	C90010179LE	SIDE PANEL RH *LE*	1	EA	NO LONGER AVAILABLE, Not available online / Call for pricing and availability
2	C90010179MJ	SIDE PANEL RH *MJ*	1	EA	
2	C90010179SG	SIDE PANEL RH *SG*	1	EA	NO LONGER AVAILABLE, Not available online / Call for pricing and availability
2	C90010179VB	SIDE PANEL RH *VB*	1	EA	NO LONGER AVAILABLE, Not available online / Call for pricing and availability
2	C90010179WH	SIDE PANEL RH *WH*	1	EA	
3	A2004481	WIRE CHANNEL RH (VGSC306)	1	EA	NO LONGER AVAILABLE





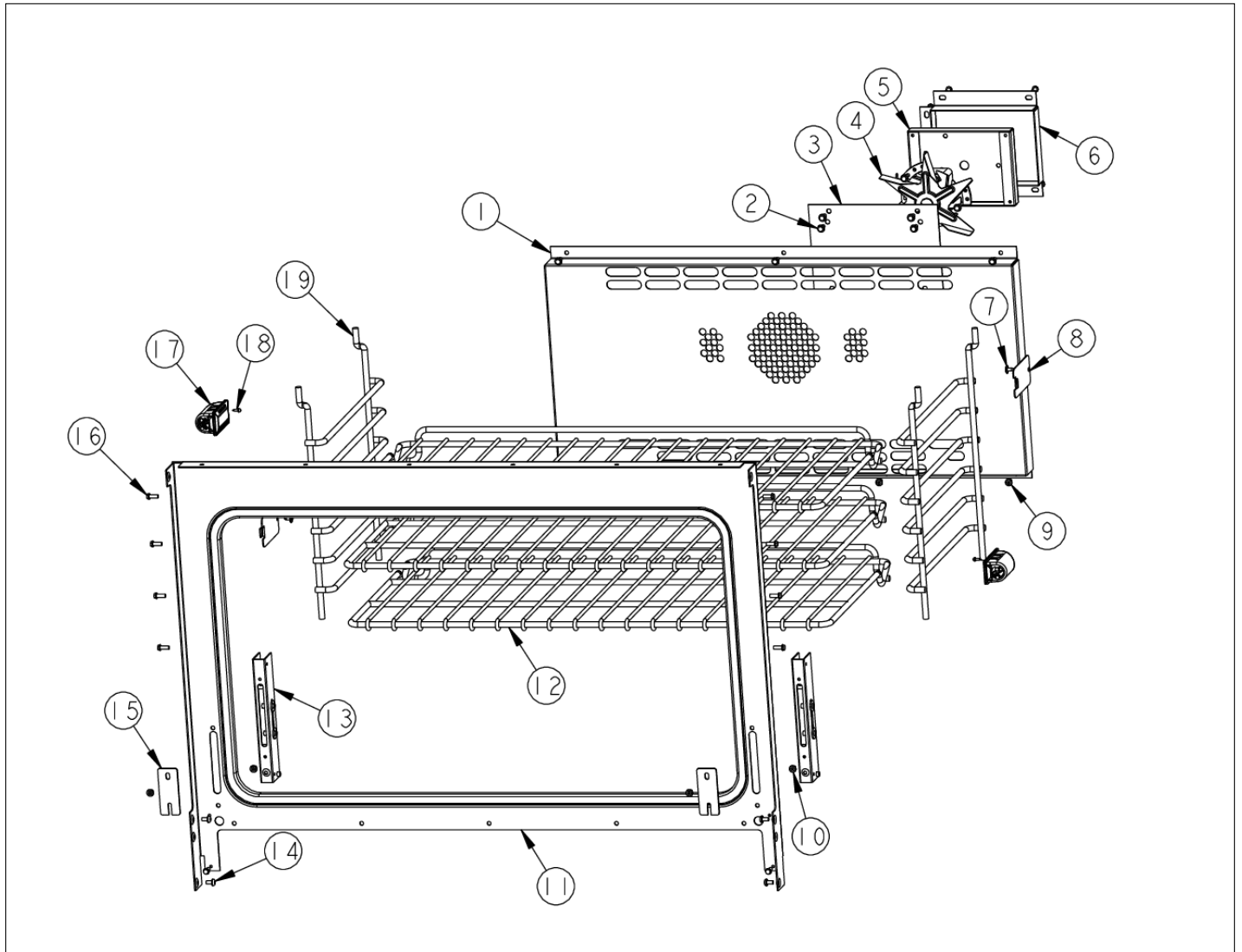
Item	Part No.	Name	Qty	Uom	NOTES
4	A2005523	FLUE HEAT SHIELD	1	EA	NO LONGER AVAILABLE, Not available online / Call for pricing and availability
5	M0210443	SCREW-E SM VM0210443	1	EA	
6	A2004428	REAR BOTTOM BRCKT (VGSC306)	1	EA	
7	PC030017	4" LEG ASSY	1	EA	
8	B2001504	LWR ACC PNL - RPLCS B2001977	1	EA	
8	C9001504AL	LWR ACC PNL - RPLCS C9001977AL	1	EA	NO LONGER AVAILABLE
8	C9001504BK	LWR ACC PNL - RPLCS C9001977BK	1	EA	
8	C9001504BT	LWR ACC PNL - RPLCS C9001977BT	1	EA	NO LONGER AVAILABLE, Not available online / Call for pricing and availability
8	C9001504BU	LWR ACC PNL - RPLCS C9001977BU	1	EA	Not available online / Call for pricing and availability
8	C9001504CB	LWR ACC PNL - RPCLS C9001977CB	1	EA	NO LONGER AVAILABLE, Not available online / Call for pricing and availability
8	C9001504EP	LWR ACC PNL - RPLCS C9001977EP	1	EA	NO LONGER AVAILABLE
8	C9001504FG	LWR ACC PNL - RPLCS C9001977FG	1	EA	NO LONGER AVAILABLE
8	C9001504GG	LWR ACC PNL - RPLCS C9001977GG	1	EA	NO LONGER AVAILABLE, Not available online / Call for pricing and availability
8	C9001504LE	LWR ACC PNL - RPLCS C9001977LE	1	EA	NO LONGER AVAILABLE, Not available online / Call for pricing and availability
8	C9001504MJ	LWR ACC PNL - RPLCS C9001977MJ	1	EA	Not available online / Call for pricing and availability





Item	Part No.	Name	Qty	Uom	NOTES
8	C9001504SG	LWR ACC PNL - RPCLS C9001977SG	1	EA	NO LONGER AVAILABLE, Not available online / Call for pricing and availability
8	C9001504VB	LWR ACC PNL - RPLCS C9001977VB	1	EA	NO LONGER AVAILABLE
8	C9001504WH	LWR ACC PNL - RPLCS C9001977WH	1	EA	
9	PD020060	10 X 1/2" (5/16)HEX WSHER HD.(T)A	1	EA	
10	A20012922	DISCONNECT POWER BRACKET	1	EA	NO LONGER AVAILABLE, Not available online / Call for pricing and availability
11	PD020004	10X3/8PH.HD.TYPE 25 REPL PD040125	1	EA	

OVEN MAIN CAVITY





Item	Part No.	Name	Qty	Uom	NOTES
1	G9105513	CONVECTION FAN COVER ASSY (VGSC366)	1	EA	
2	PD020048	NO.10 X 1/2 TEK 410 SS SCREW	1	EA	
3	A1002596	CONVECTION FAN COVER (VDSC)	1	EA	
4	PE050005	CONVECTION FAN ASSY	1	EA	
5	A2002595	CONVECTION FAN BOX (VDSC)	1	EA	
6	A2008467	INSULATION SHIELD	1	EA	
7	PD020063	SCREW-#8(A) X 3/8"PH WFR HD/BK OXID	1	EA	
8	E91012614	LIGHT HOLE COVER	1	EA	
9	M0210443	SCREW-E SM VM0210443	1	EA	
10	003083-000	#8-18 x 1/2" PHIL FLAT TOP TRUSS HD AB SCREW	1	EA	
11	001307-000	OVEN FRONT FRAME ASSY PORC - NLA	1	EA	NO LONGER AVAILABLE
12	PB060045	OVEN RK VDSC36 REPL PB060020	1	EA	
13	PC020295	HINGE RECEIVER ASSEMBLY	1	EA	
14	PD020004	10X3/8PH.HD.TYPE 25 REPL PD040125	1	EA	
15	B1007913	HINGE CLIP (DESIGNER TIME PIECE)	1	EA	
16	PD020060	10 X 1/2" (5/16)HEX WSHER HD.(T)A	1	EA	
17	005311-000	LAMP, OVEN, 120V/25W	1	EA	
18	PD020013	TYPE "AB" #6 X 3/8 PH PAN HD. SMS	1	EA	
19	PB060030	RACK SUPT REPL PB060010	1	EA	



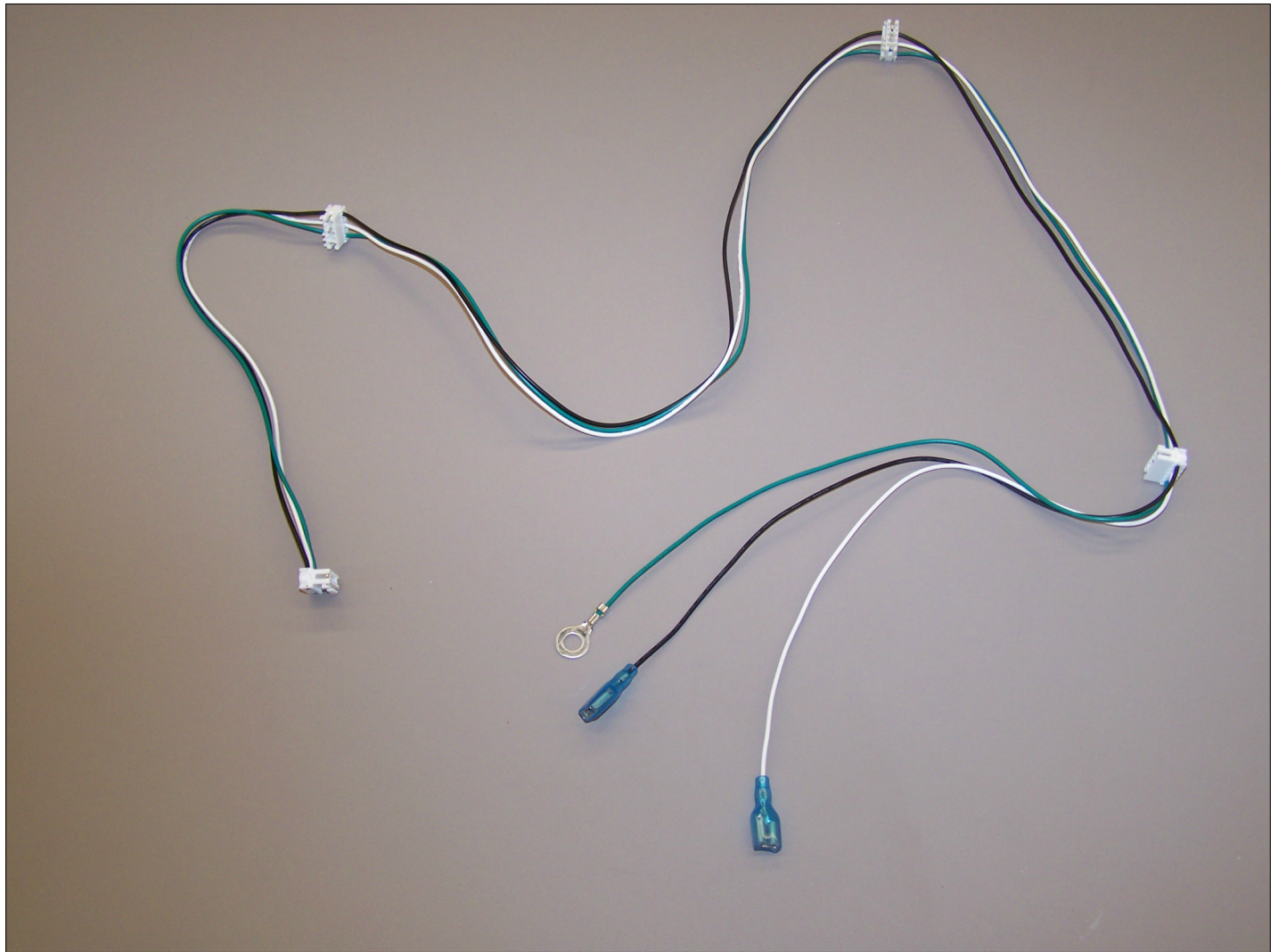
PE070245 LIGHT EXT. HARNESS





Item	Part No.	Name	Qty	Uom	NOTES
1	PE070245	LIGHT EXTENTION HARNESS (VGSC306)	1	EA	
Not Shown	NOTE	(MAY NOT BE USED ON ALL UNITS)		EA	

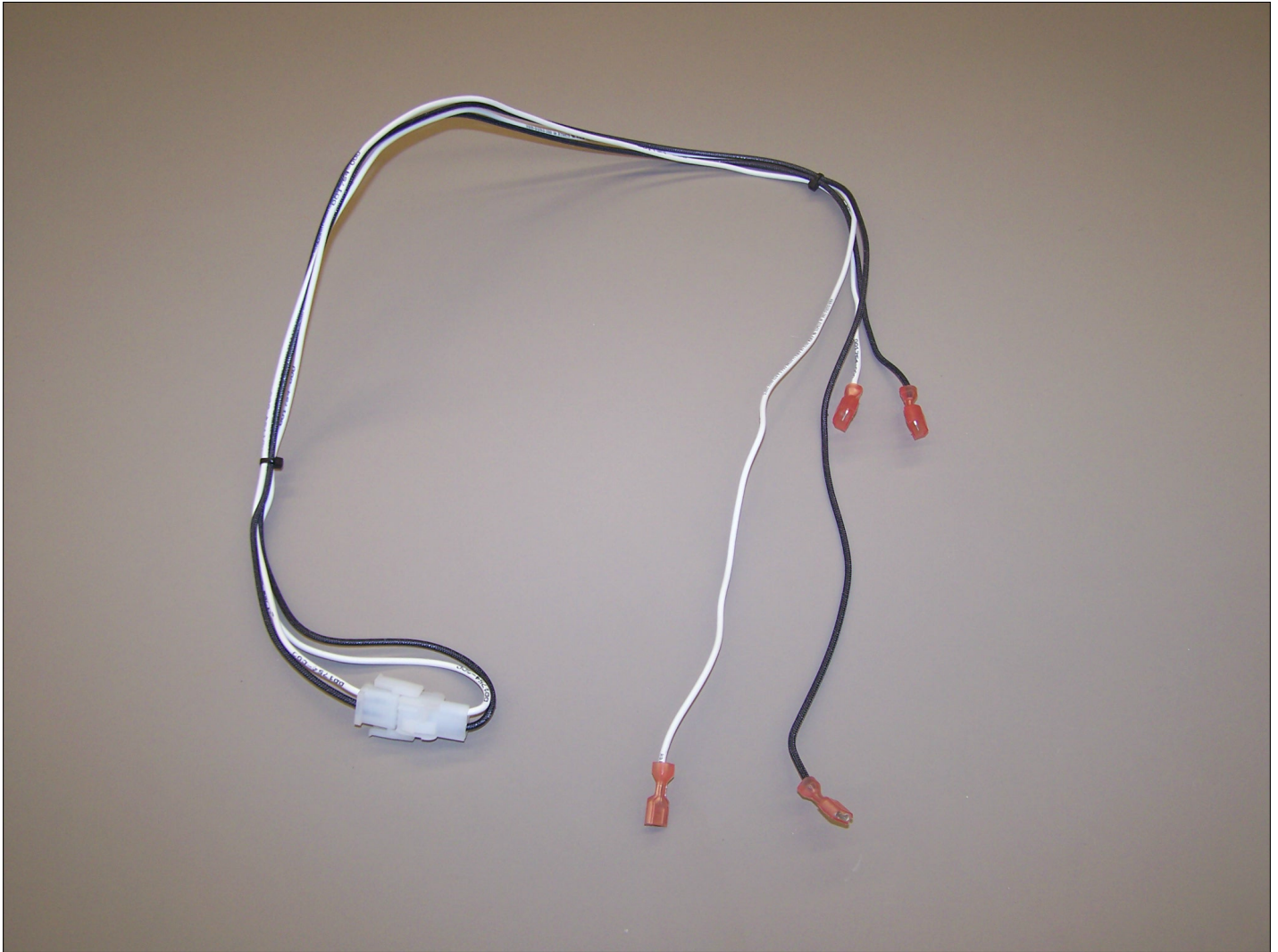
PE070889 IRIS HARNESS





Item	Part No.	Name	Qty	Uom	NOTES
1	PE070889	IRIS HARNESS (24"/30")	1	EA	

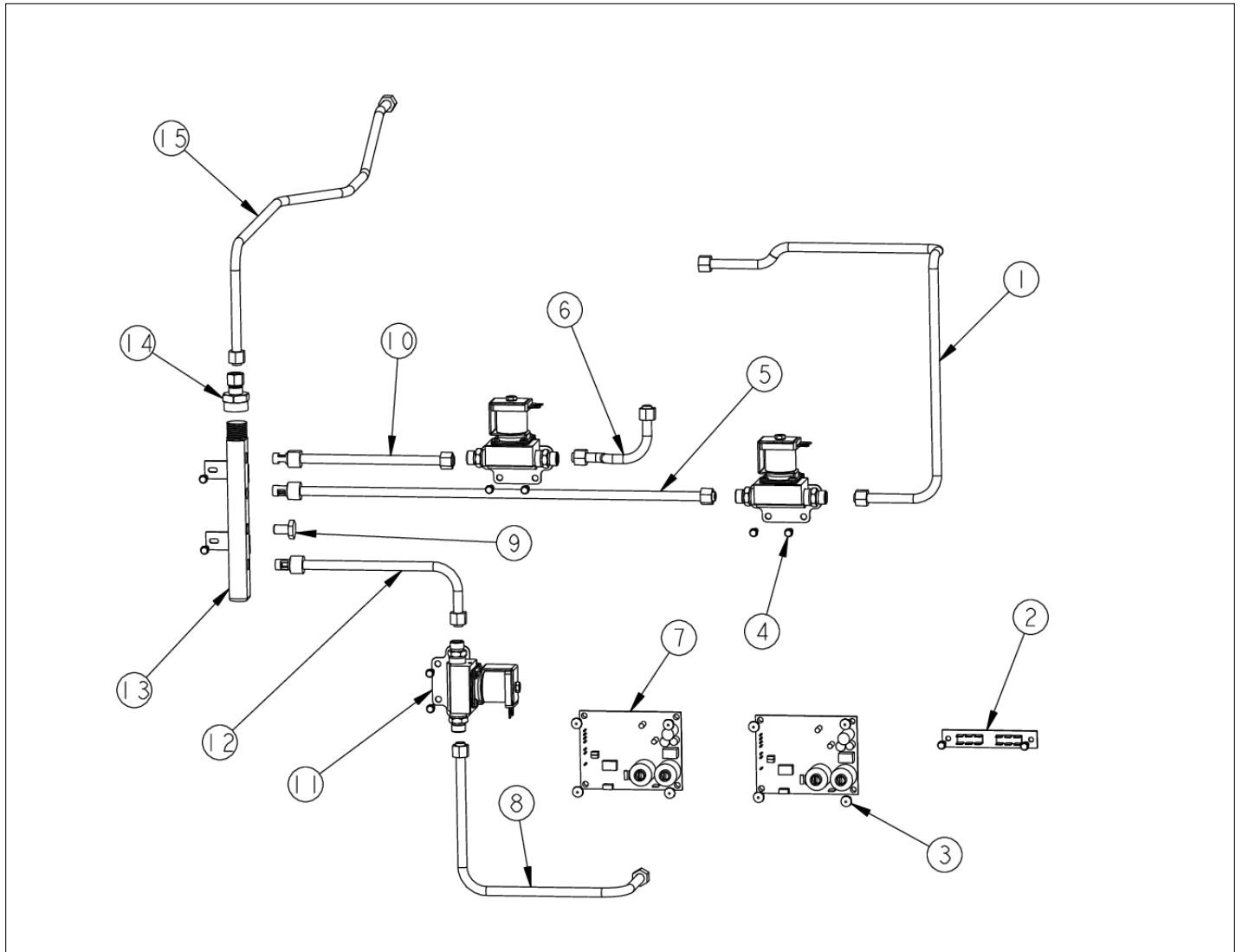
POWER DISCONNECT HAR





Item	Part No.	Name	Qty	Uom	NOTES
1	001754-000	HARNESS POWER DISCONNECT	1	EA	

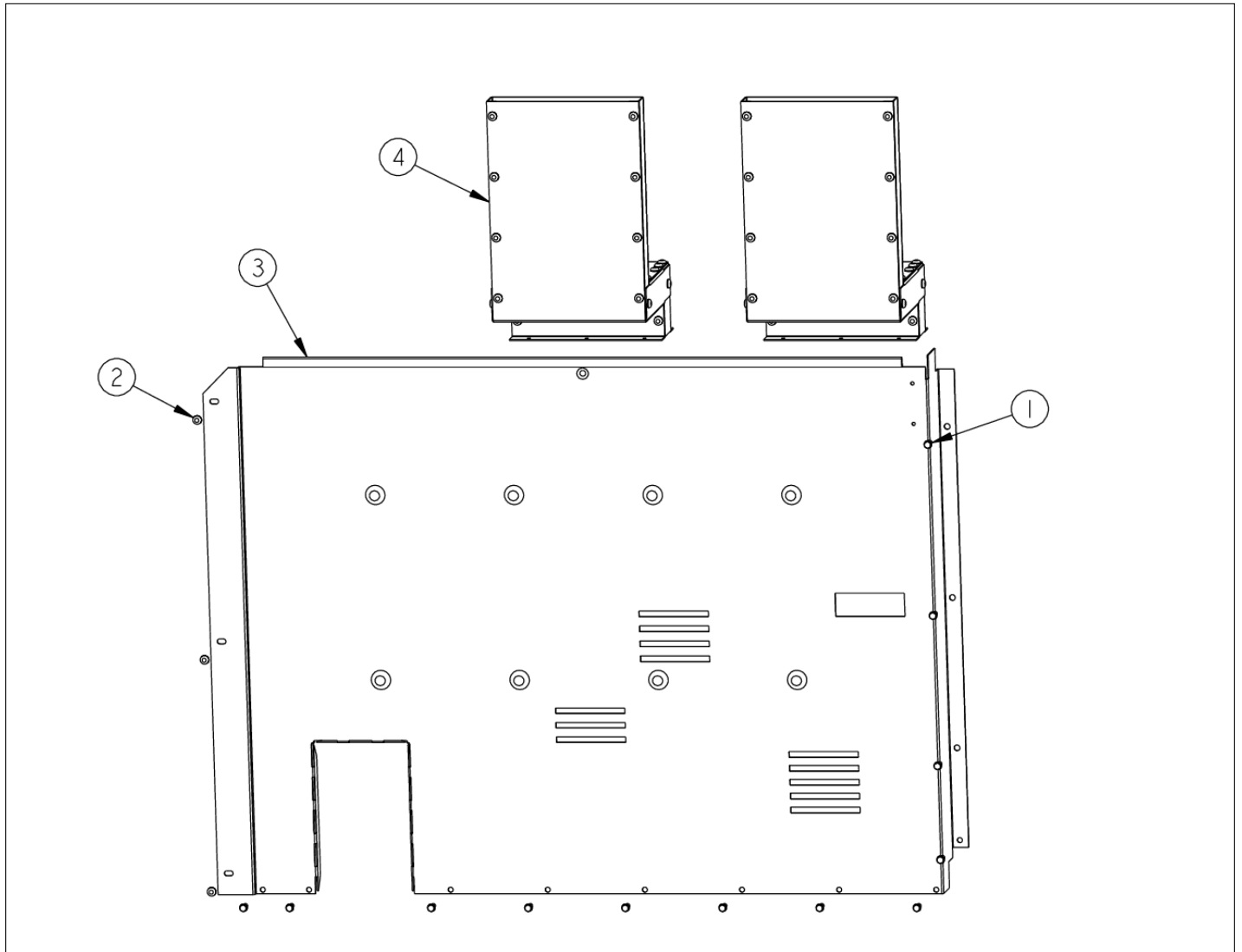
REAR ELECTRONICS AND GAS FLOW





Item	Part No.	Name	Qty	Uom	NOTES
1	001308-000	GRIDDLE TUBING	1	EA	NO LONGER AVAILABLE, Not available online / Call for pricing and availability
2	PE050001	TERMINAL BOARD	1	EA	
3	PD020014	10X3/4 PH TR HD SMS	1	EA	
4	PD020060	10 X 1/2" (5/16)HEX WSHER HD.(T)A	1	EA	
5	000922-000	3/8" GRIDDLE TUBING	1	EA	
6	000921-000	3/8" ALUM TUBING ELBOW	1	EA	
7	PA020056	NLA - See TC-0063D-SP for kit number (see comments)	1	EA	
8	000919-000	3/8" ALUM TUBING	1	EA	
9	PA010012	ROPER PLUG	1	EA	
10	001362-000	BROIL VALVE TUBING	1	EA	
11	003226-000	FJT VALVE - NO NUT/FERRELL	1	EA	
12	001363-000	3/8" BAKE TUBING	1	EA	NO LONGER AVAILABLE
13	000863-000	4 PORT MANIFOLD - NLA	1	EA	NO LONGER AVAILABLE
14	001290-000	1/2" NPT TO 3/8" COMPRESSION ADT- FEMALE	1	EA	
15	001539-000	X-REC PAN SCREW ST ZN-PLT 31.2121.13	1	EA	NO LONGER AVAILABLE, Not available online / Call for pricing and availability

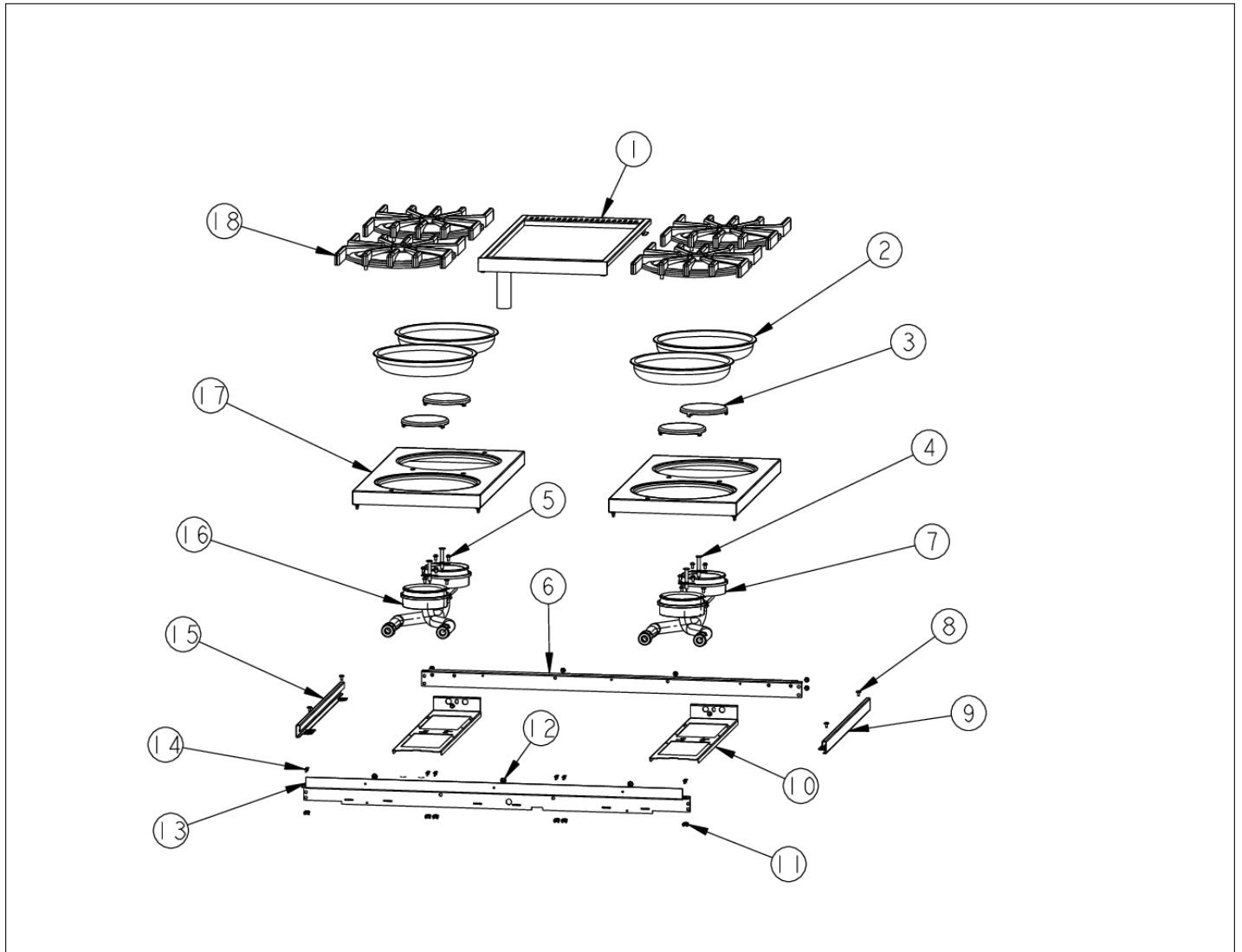
REAR SHEET METAL





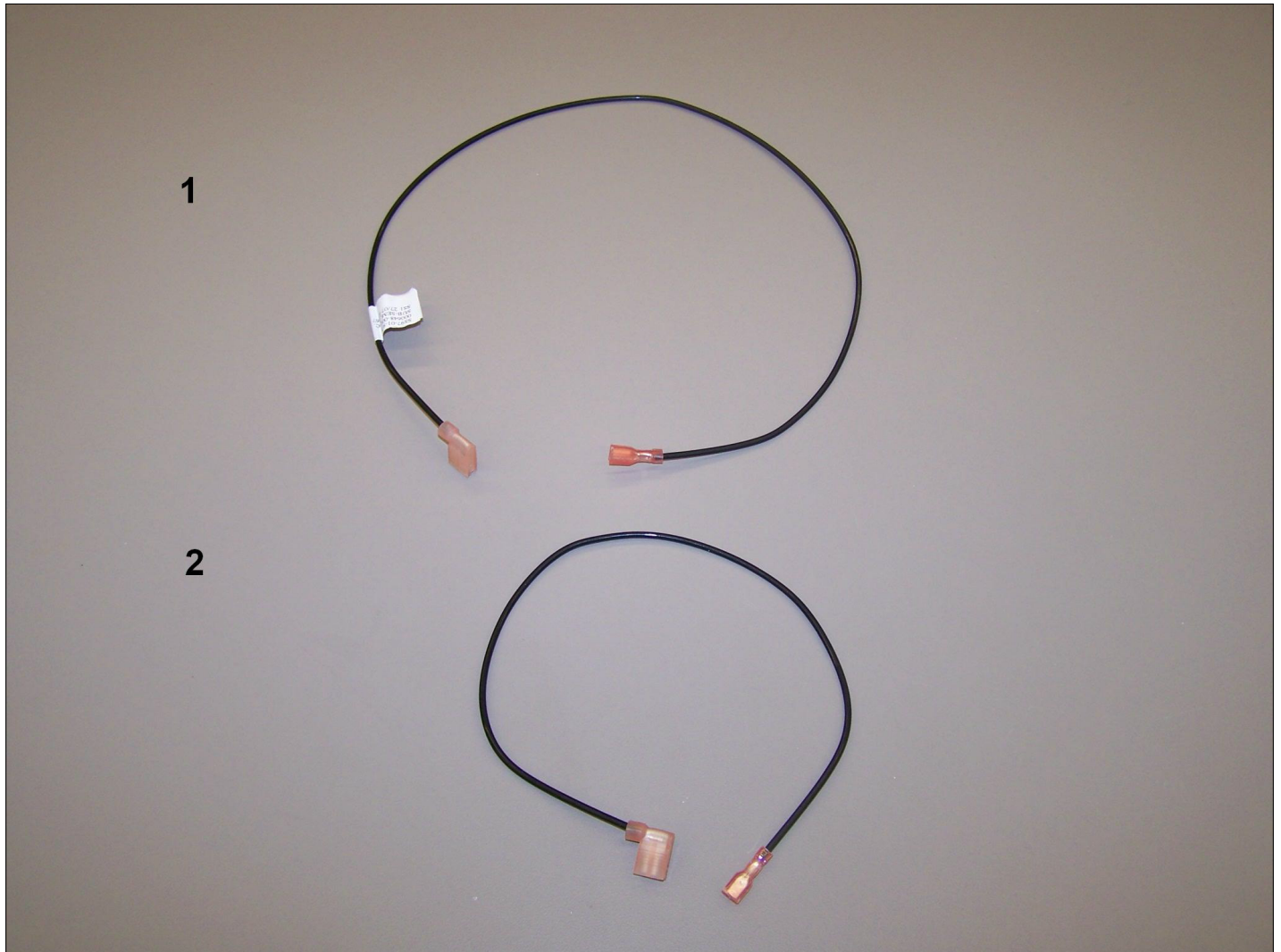
Item	Part No.	Name	Qty	Uom	NOTES
1	PD020060	10 X 1/2" (5/16)HEX WSHER HD.(T)A	1	EA	
2	PD020004	10X3/8PH.HD.TYPE 25 REPL PD040125	1	EA	
3	A2005522	OUTSIDE BACK (VGSC366)	1	EA	Not available online / Call for pricing and availability
4	000967-000	FLUE ASSY	1	EA	

SURFACE COOKING AREA



Item	Part No.	Name	Qty	Uom	NOTES
1	003210-000	12 OPEN GRIDDLE FRAME WELD ASSY	1	EA	
2	PA030002BK	BURNER BOWL (VGRT) **BK**	1	EA	
2	PA030002WH	BURNER BOWL (VGRT) **WH**	1	EA	
3	PA080015	BURNER CAP-VGRT *BK*	1	EA	
4	PA020028	SPARK IGNITER	1	EA	
5	PD020004	10X3/8PH.HD.TYPE 25 REPL PD040125	1	EA	
6	A2005514	REAR BURNER SUPPORT	1	EA	Not available online / Call for pricing and availability
7	PA080037	TOP BURNER FRONT REPL PA080007	1	EA	
8	PD020032	SRW-8(A)X3/8"PH.WFR HD 7/16DIA*NICL	1	EA	
9	B2002345	SIDE TRIM - RH (VGSS)	1	EA	
9	C9302345	SIDE TRIM - RH (BR)	1	EA	Not available online / Call for pricing and availability
10	A2001112	BURNER SUPT (VGRT)	1	EA	
11	PD010016	BALL STUD FASTEN	1	EA	
12	PD020002	10 X 1/2 PH.TR.HD.SMS.	1	EA	
13	001347-000	FRONT SUPT (36")	1	EA	NO LONGER AVAILABLE, Not available online / Call for pricing and availability
14	PC040010	POP RIVET (.063/GR -.125) GAMD42-A	1	EA	
15	B2002346	SIDE TRIM - LH (VGSS)	1	EA	
15	C9302346	SIDE TRIM - LH (BR)	1	EA	Not available online / Call for pricing and availability
16	PA080036	TOP BURNER REAR REPL PA080008	1	EA	
17	G50013584BK	GRATE SUPPORT SERVICE KIT (BK)	1	EA	
17	G50013584WH	GRATE SUPPORT SERVICE KIT (WH)	1	EA	
18	PA060037	GRATE BK REPL PA060024 (GEN.#2)	1	EA	

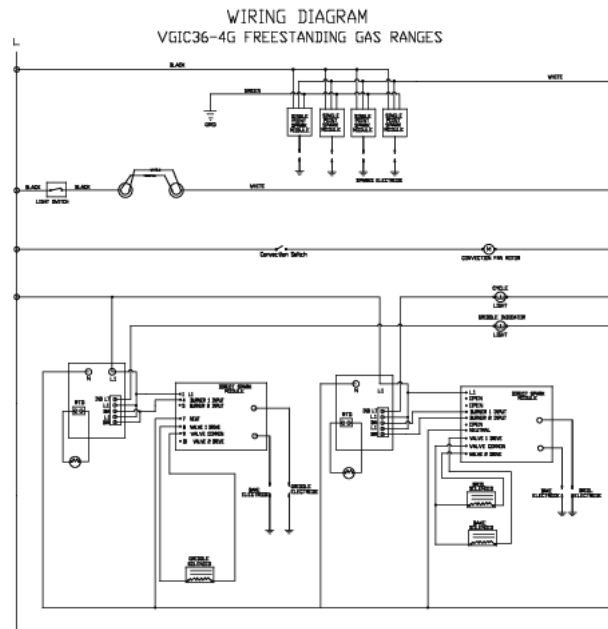
TOP BURNER IGNITER WIRES





Item	Part No.	Name	Qty	Uom	NOTES
1	006766-000	IRIS IGNITOR WIRE, BACK BURNER	1	EA	
2	000647-000	IRIS IGNITOR WIRE, FRONT BURNER	1	EA	

WIRING DIAGRAM



FOR CONNECTION TO THE FACTORY INSTALLED TERMINAL BLOCK USE COPPER OR ALUMINUM CONDUCTORS

WARNING—THIS UNIT MUST BE GROUNDED. SEE INSTALLATION INSTRUCTIONS FOR PROPER GROUNDING PROCEDURES.

CAUTION—LABEL ALL WIRES PRIOR TO DISCONNECTION WHEN SERVICING CONTROLS. WIRING ERRORS CAN CAUSE IMPROPER AND DANGEROUS OPERATION. VERIFY PROPER OPERATION AFTER SERVICING.

NOTE: TRAILERS OR STROPS WILL BE THE SECOND COLOR IN A COLOR COMBINATION

REFER ONLY TO FEATURES WHICH ARE EQUIPPED WITH THIS UNIT.

001505-200 - ADHESIVE
001505-000 - NON-ADHESIVE



Appendix A:Pages Index

BAKE BURNER AREA 1
BAKE IGNITER WIRE 2
BROIL IGNITOR WIRE 3
BROILER AREA 4
BURNER BOX INTERIOR 5
CONTROL AREA 6
DOOR ASSEMBLY 7
DRIP TRAY 8
G4008493 SUPPLY CORD 9
GRIDDLE SUBASSEMBLY 10
HARNESS 11
LOWER UNIT AREA 12
OVEN MAIN CAVITY 13
PE070245 LIGHT EXT. HARNESS 14
PE070889 IRIS HARNESS 15
POWER DISCONNECT HAR 16
REAR ELECTRONICS AND GAS FLOW 17
REAR SHEET METAL 18
SURFACE COOKING AREA 19
TOP BURNER IGNITER WIRES 20
WIRING DIAGRAM 21



Appendix B:Parts Index

000075-000	7	000957-113	7
000090-000	7	000957-114	7
000268-000	7	000967-000	18
000447-000	6	000971-000	10
000447-006	6	001290-000	17
000448-000	6	001307-000	13
000448-006	6	001308-000	17
000594-000	7	001347-000	19
000647-000	20	001348-000	4
000863-000	17	001361-000	10
000919-000	17	001362-000	17
000921-000	4, 17	001363-000	17
000922-000	17	001398-000	7
000932-000	7	001399-000	7
000957-000	7	001436-000	10
000957-002	7	001437-000	10
000957-003	7	001539-000	17
000957-004	7	001625-000	10
000957-005	7	001731-000	11
000957-006	7	001754-000	16
000957-007	7	001914-000	3
000957-008	7	002158-000	6
000957-009	7	002561-000	7
000957-010	7	002562-000	7
000957-011	7	002884-000	6
000957-012	7	002888-000	5
000957-013	7	002889-000	5
000957-014	7	003083-000	13
000957-100	7	003143-000	2
000957-102	7	003210-000	19
000957-103	7	003226-000	17
000957-104	7	003515-000	6
000957-105	7	005311-000	13
000957-106	7	006200-000	1
000957-107	7	006766-000	20
000957-108	7	007147-000	6
000957-109	7	008091-000	10
000957-110	7	013213-000	6
000957-111	7	050172-000	6
000957-112	7	068458-000	1
		A1001138	6



A1002596	13	C90010179WH	12
A1007861	10	C90010180AL	12
A2000210	5	C90010180BK	12
A2001112	19	C90010180BT	12
A20012922	12	C90010180BU	12
A20015329	7	C90010180CB	12
A2002189	7	C90010180EP	12
A2002367	7	C90010180FG	12
A2002497	7	C90010180GG	12
A2002595	13	C90010180LE	12
A2004424	1	C90010180MJ	12
A2004428	12	C90010180SG	12
A2004434	1	C90010180VB	12
A2004481	12	C90010180WH	12
A2005514	19	C9001504AL	12
A2005522	18	C9001504BK	12
A2005523	12	C9001504BT	12
A2008467	13	C9001504BU	12
B1007913	13	C9001504CB	12
B20010179	12	C9001504EP	12
B20010180	12	C9001504FG	12
B2001448	4	C9001504GG	12
B2001504	12	C9001504LE	12
B2002345	19	C9001504MJ	12
B2002346	19	C9001504SG	12
B2002798	7	C9001504VB	12
B2004415	1	C9001504WH	12
B2005589	4	C9002798AL	7
B9201281	6	C9002798BK	7
C90010179AL	12	C9002798BT	7
C90010179BK	12	C9002798BU	7
C90010179BT	12	C9002798CB	7
C90010179BU	12	C9002798EP	7
C90010179CB	12	C9002798FG	7
C90010179EP	12	C9002798GG	7
C90010179FG	12	C9002798LE	7
C90010179GG	12	C9002798MJ	7
C90010179LE	12	C9002798SG	7
C90010179MJ	12	C9002798VB	7
C90010179SG	12	C9002798WH	7
C90010179VB	12	C9302345	19



C9302346	19	PD010012	6
E91012614	13	PD010016	19
G30010455	8	PD010019	7
G30010696	8	PD020002	7, 19
G3001585	6	PD020004	5, 6, 7, 10, 12, 13, 18, 19
G3001876	4	PD020013	13
G4008493	9	PD020014	17
G50013584BK	19	PD020032	7, 19
G50013584WH	19	PD020033	6
G9105513	13	PD020044	6
G93011459PVD	8	PD020046	6
J2101749	8	PD020048	1, 4, 13
M0210443	12, 13	PD020060	1, 4, 10, 12, 13, 17, 18
PA010012	17	PD020063	13
PA020028	19	PD020079	8
PA020056	17	PD030005	6
PA020058	6	PD030006	6, 7
PA030002BK	19	PD030018	4
PA030002WH	19	PD040004	8
PA060037	19	PD040028	8
PA070003	6	PDB050077	10
PA080015	19	PE010030	7
PA080036	19	PE010031	7
PA080037	19	PE010068	7
PB010206	6	PE010076	7
PB010207	6	PE010081	6
PB010209	6	PE010082	6
PB040040	4	PE030001PVD	7
PB040170	1	PE030006	7
PB040171	4	PE030013PVD	7
PB040172	1	PE050001	17
PB040178	4	PE050005	13
PB040190	10	PE050016	6
PB060030	13	PE050017	6
PB060045	13	PE050023	6
PC020188	7	PE050024	6
PC020223	7	PE050206	4, 10
PC020295	13	PE060030	7
PC030017	12	PE060031	7
PC040010	5, 19	PE060039	7
PD010003	6	PE060045	7



PE070245	14
PE070889	15
PK000007	5
PK000008	5