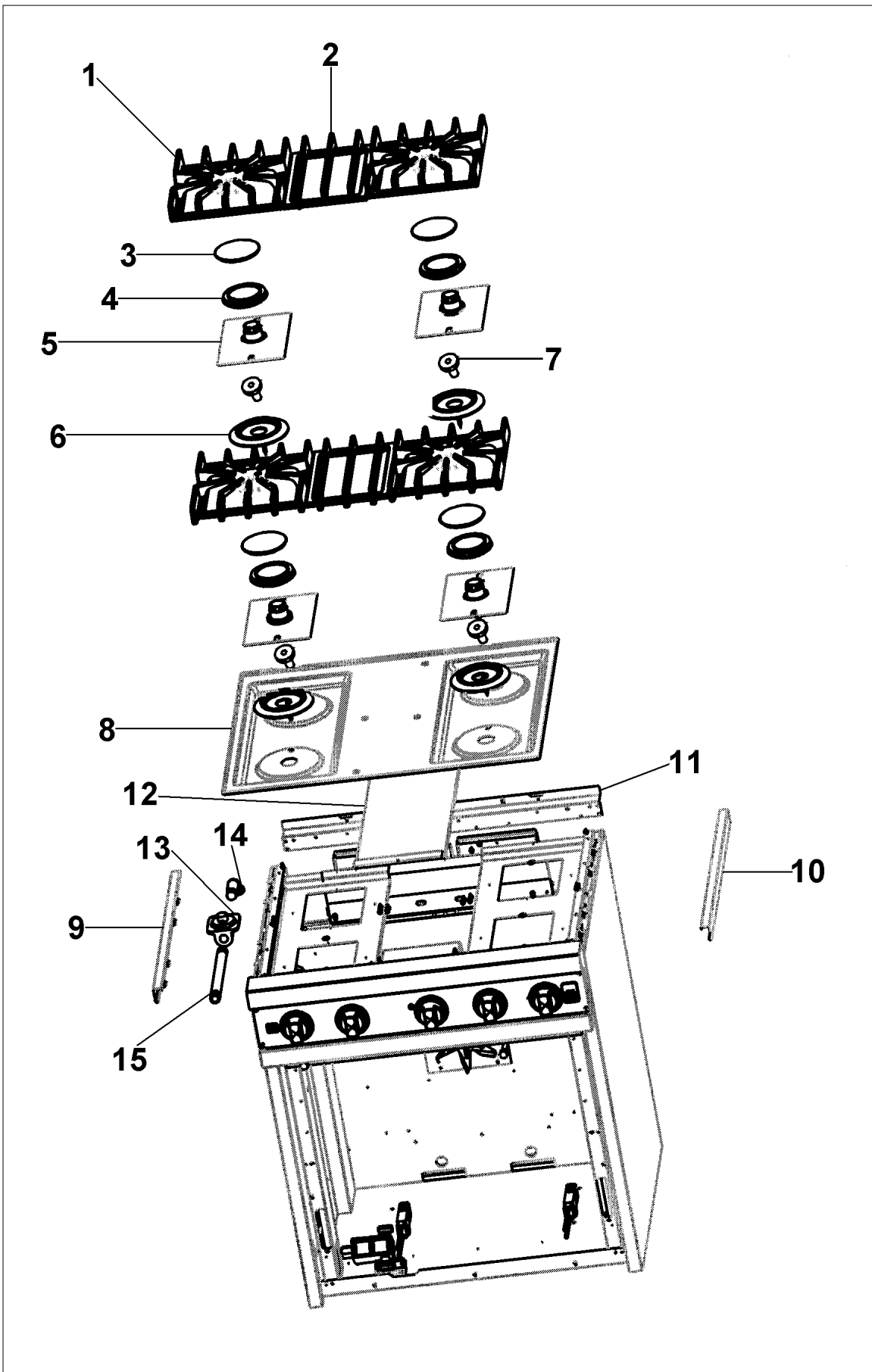


VGIC307

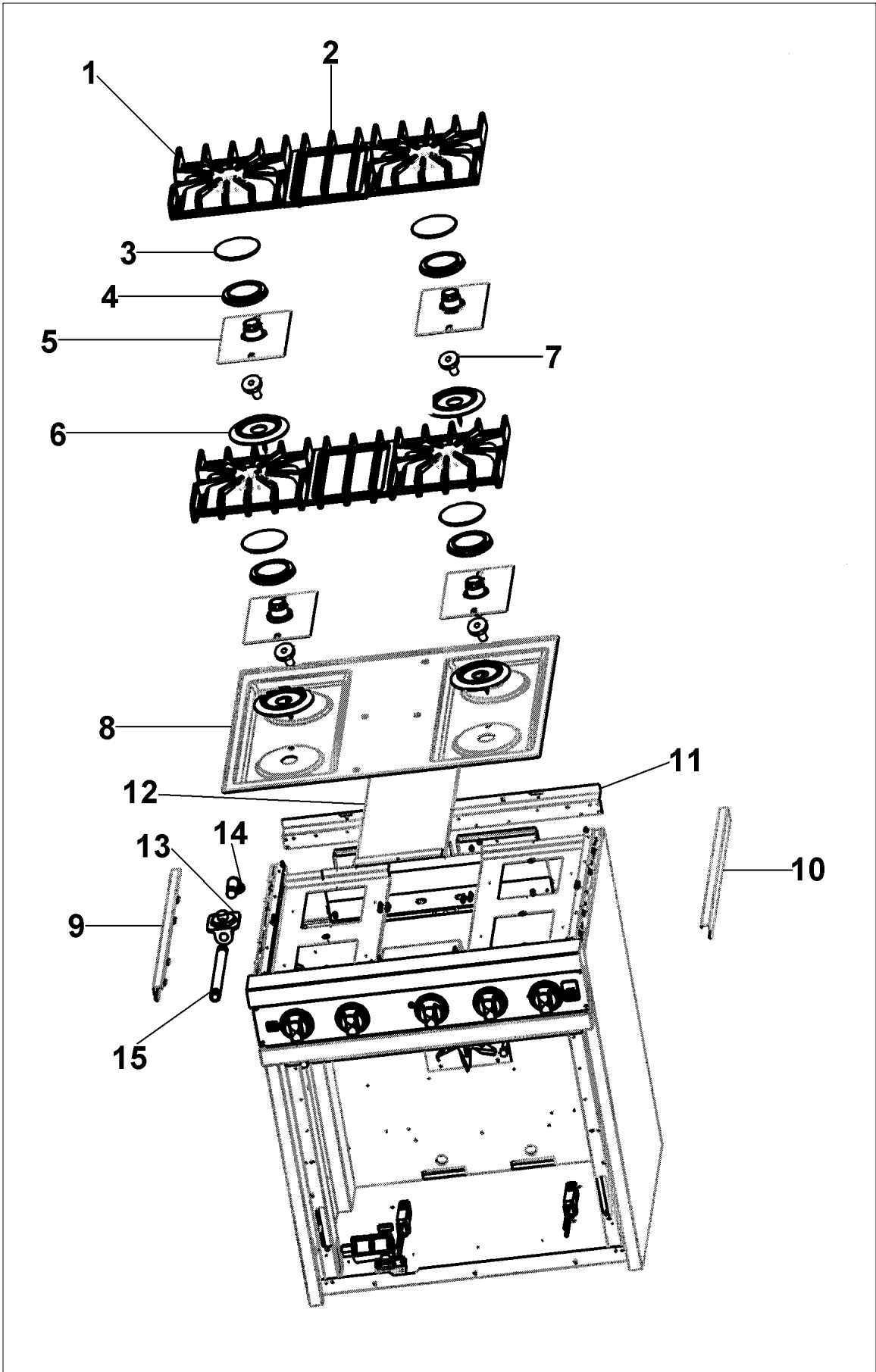
BURNER BOX EXTERIOR	1
DOOR ASSEMBLY	2
GAS ELECTRICAL	3
VGIC 307 PANEL-OVEN ASSY	4
VGIC307 CONTROL ASSY	5
Appendix A:Pages Index	A
Appendix B:Parts Index	B



Item	Part No.	Name	Qty	Uom	NOTES
1	PA060054	Burner Grate - BK		EA	
Not Shown	PA060062	Burner Grate - GR		EA	
2	PA060060	SEALED COOKTOP CENTER GRATE *BK*		EA	
Not Shown	PA060061	SEALED COOKTOP CENTER GRATE GRAY		EA	
3	PA080083	D BURNER CAP *MATTE BLACK*		EA	
Not Shown	PA080086	Burner Cap - GR		EA	
4	PB050063	Burner Head		EA	
5	G3206743	BURNER BODY ASSY (VDSC3074B)		EA	
6	PB050081	BURNER BASE ASM		EA	
7	PA010100	Burner Venturi		EA	
8	G3206723AL	MAIN TOP WELD ASSY. - AL (BEFORE 6/11/03)		EA	Not available online / Call for pricing and availability
Not Shown	NOTE	(Before 8/14/03)		EA	
Not Shown	G3206723	30" MAIN TOP ASSY (VDSC3074B)		EA	
Not Shown	NOTE	(Before 8/14/03)		EA	
Not Shown	G3206723BT	MAIN TOP WELD ASSY. - BT (BEFORE 6/11/03)		EA	Not available online / Call for pricing and availability
Not Shown	NOTE	(Before 8/14/03)		EA	
Not Shown	G3206723CB	MAIN TOP WELD ASSY. - CB (BEFORE 6/11/03)		EA	Not available online / Call for pricing and availability
Not Shown	NOTE	(Before 8/14/03)		EA	
Not Shown	G3206723EP	MAIN TOP WELD ASSY. - EP (BEFORE 6/11/03)		EA	Not available online / Call for pricing and availability
Not Shown	NOTE	(Before 8/14/03)		EA	

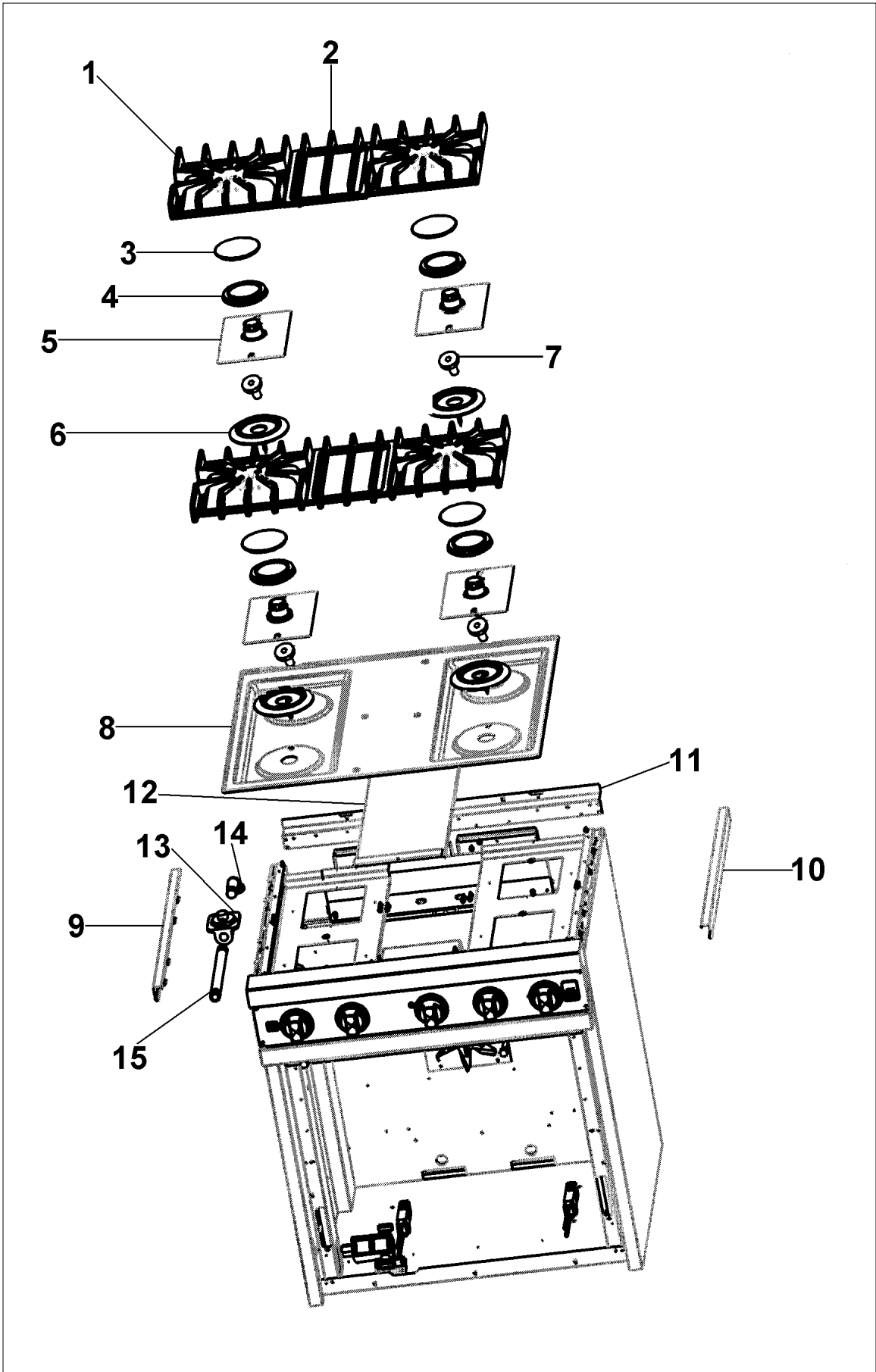


Item	Part No.	Name	Qty	Uom	NOTES
Not Shown	G3206723FG	MAIN TOP WELD ASSY. - FG (BEFORE 6/11/03)		EA	Not available online / Call for pricing and availability
Not Shown	NOTE	(Before 8/14/03)		EA	
Not Shown	G3206723GG	MAIN TOP WELD ASSY. - GG (BEFORE 6/11/03)		EA	Not available online / Call for pricing and availability
Not Shown	NOTE	(Before 8/14/03)		EA	
Not Shown	G3206723LE	MAIN TOP WELD ASSY. - LE (BEFORE 6/11/03)		EA	Not available online / Call for pricing and availability
Not Shown	NOTE	(Before 8/14/03)		EA	
Not Shown	G3206723MJ	MAIN TOP WELD ASSY. - MJ (BEFORE 6/11/03)		EA	Not available online / Call for pricing and availability
Not Shown	NOTE	(Before 8/14/03)		EA	
Not Shown	G3206723SG	MAIN TOP WELD ASSY. - SG (BEFORE 6/11/03)		EA	Not available online / Call for pricing and availability
Not Shown	NOTE	(Before 8/14/03)		EA	
Not Shown	G3206723VB	MAIN TOP WELD ASSY. - VB (BEFORE 6/11/03)		EA	Not available online / Call for pricing and availability
Not Shown	NOTE	(Before 8/14/03)		EA	
Not Shown	G3206723WH	30" MAIN TOP ASSY (VDSC3074B)		EA	NO LONGER AVAILABLE, Not available online / Call for pricing and availability
Not Shown	NOTE	(Before 8/14/03)		EA	
Not Shown	E9107413AL	MAIN TOP ASSEMBLY - AL		EA	Not available online / Call for pricing and availability
Not Shown	NOTE	(After 8/14/03)		EA	

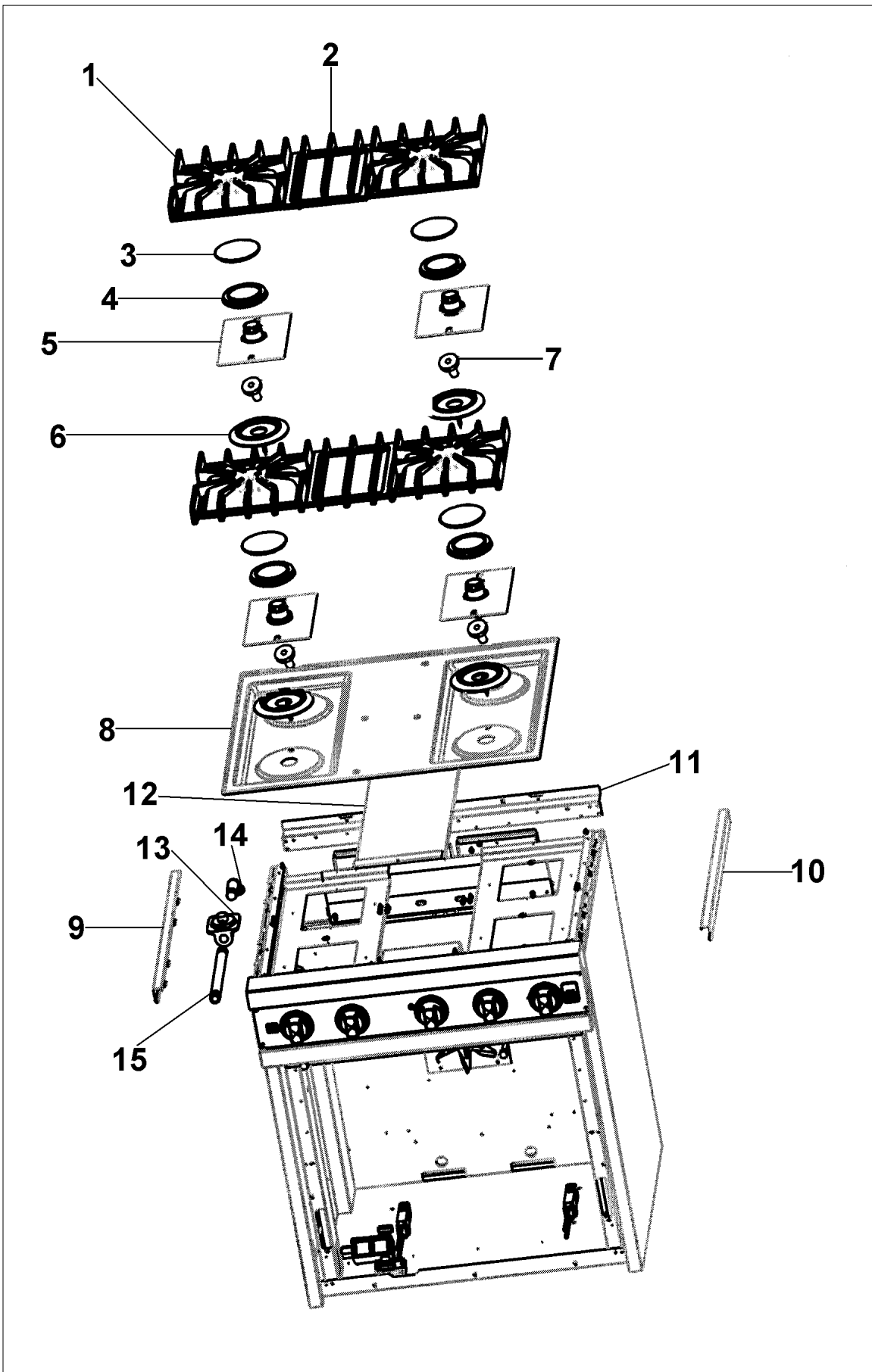




Item	Part No.	Name	Qty	Uom	NOTES
Not Shown	E9107413BK	MAIN TOP 30" *BK*		EA	
Not Shown	NOTE	(After 8/14/03)		EA	
Not Shown	E9107413BT	MAIN TOP ASSEMBLY - BT		EA	Not available online / Call for pricing and availability
Not Shown	NOTE	(After 8/14/03)		EA	
Not Shown	E9107413CB	MAIN TOP ASSEMBLY - CB		EA	Not available online / Call for pricing and availability
Not Shown	NOTE	(After 8/14/03)		EA	
Not Shown	E9107413EP	MAIN TOP ASSEMBLY - EP		EA	Not available online / Call for pricing and availability
Not Shown	NOTE	(After 8/14/03)		EA	
Not Shown	E9107413FG	MAIN TOP ASSEMBLY - FG		EA	Not available online / Call for pricing and availability
Not Shown	NOTE	(After 8/14/03)		EA	
Not Shown	E9107413GG	MAIN TOP ASSEMBLY - GG		EA	Not available online / Call for pricing and availability
Not Shown	NOTE	(After 8/14/03)		EA	
Not Shown	E9107413LE	MAIN TOP ASSEMBLY - LE		EA	Not available online / Call for pricing and availability
Not Shown	NOTE	(After 8/14/03)		EA	
Not Shown	E9107413MJ	MAIN TOP ASSEMBLY - MJ		EA	Not available online / Call for pricing and availability
Not Shown	NOTE	(After 8/14/03)		EA	



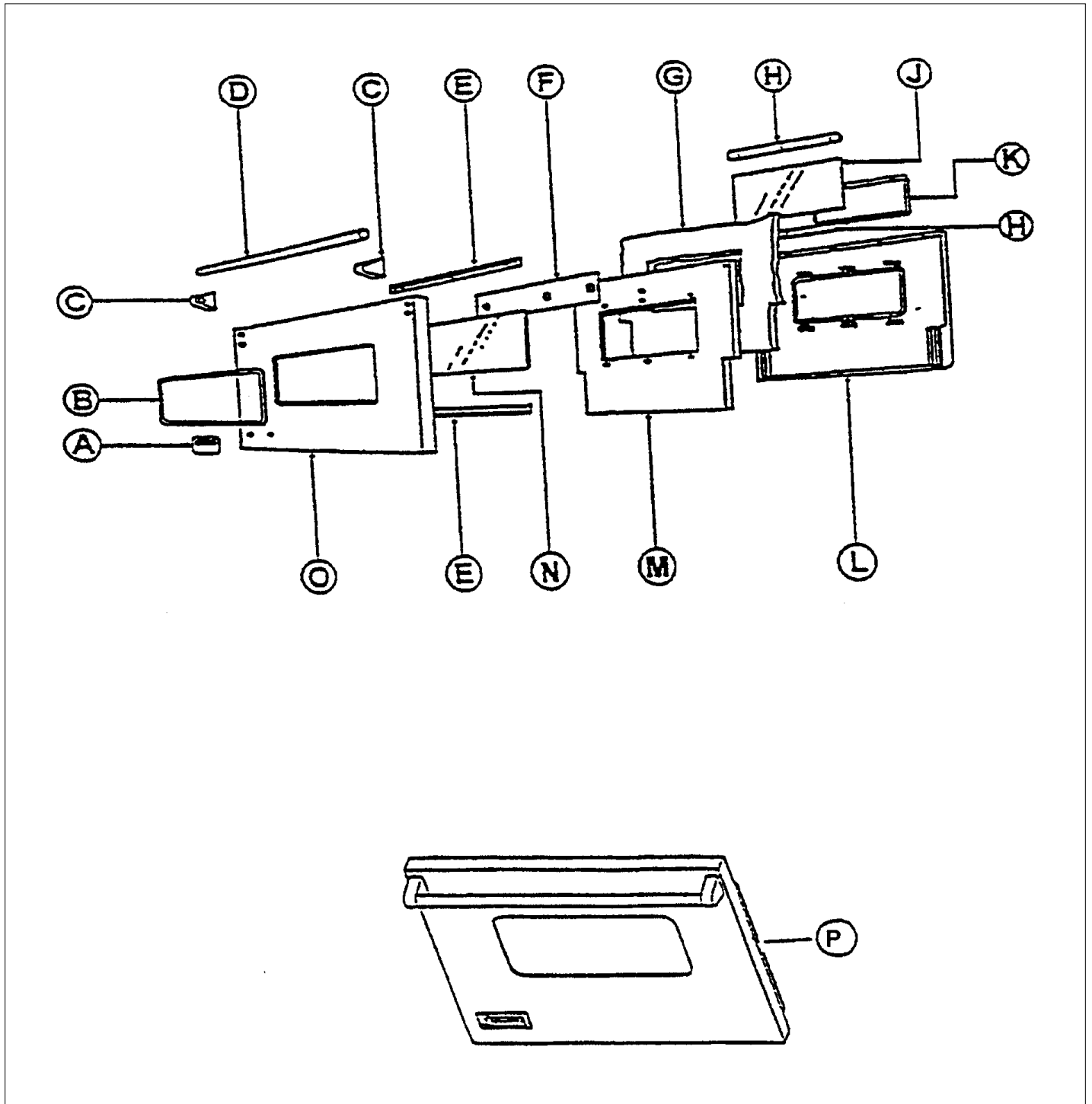
Item	Part No.	Name	Qty	Uom	NOTES
Not Shown	E9107413SG	MAIN TOP 30" *SG*		EA	NO LONGER AVAILABLE, Not available online / Call for pricing and availability
Not Shown	NOTE	(After 8/14/03)		EA	
Not Shown	E9107413VB	MAIN TOP ASSEMBLY - VB		EA	Not available online / Call for pricing and availability
Not Shown	NOTE	(After 8/14/03)		EA	
Not Shown	E9107413WH	MAIN TOP 30" *WH*		EA	
Not Shown	NOTE	(After 8/14/03)		EA	
9	B2006724	SEALED TOPSIDE TRIM		EA	
Not Shown	NOTE	Before 8/14/03		EA	
Not Shown	C9306724BR	SEALED TRIM RH *BR*		EA	NO LONGER AVAILABLE
Not Shown	NOTE	Before 8/14/03		EA	
Not Shown	B2007868	IC SEALED SIDE TRIM		EA	
Not Shown	NOTE	After 8/14/03		EA	
Not Shown	C9307868BR	IC SEALED SIDE TRIM *BR*		EA	
Not Shown	NOTE	After 8/14/03		EA	
10	B2006724	SEALED TOPSIDE TRIM		EA	
Not Shown	NOTE	Before 8/14/03		EA	
Not Shown	C9306724BR	SEALED TRIM RH *BR*		EA	NO LONGER AVAILABLE
Not Shown	NOTE	Before 8/14/03		EA	
Not Shown	B2007868	IC SEALED SIDE TRIM		EA	
Not Shown	NOTE	After 8/14/03		EA	
Not Shown	C9307868BR	IC SEALED SIDE TRIM *BR*		EA	



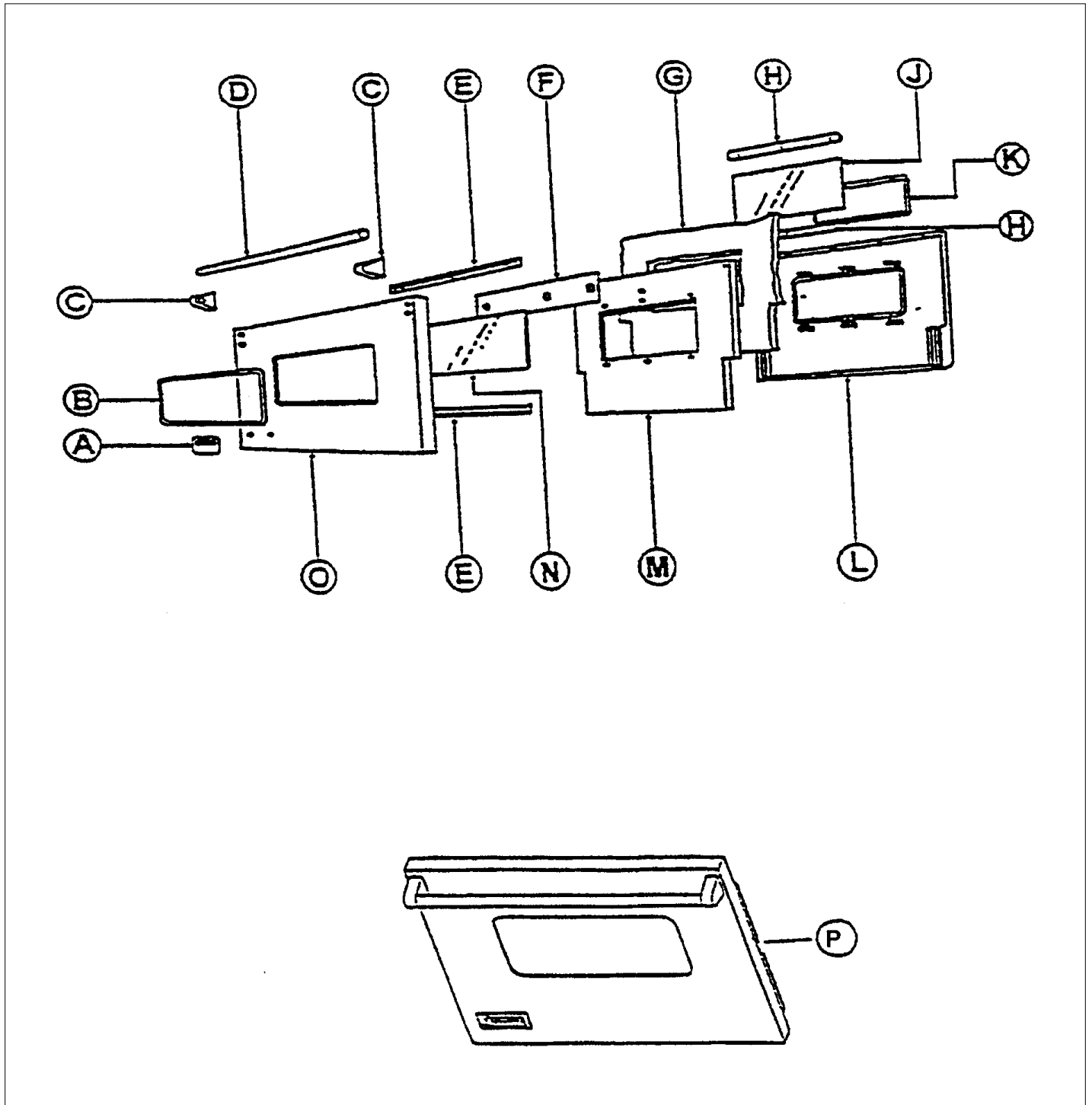


Item	Part No.	Name	Qty	Uom	NOTES
Not Shown	NOTE	After 8/14/03		EA	
11	A2002364	REAR BURNER SUPT VGSC/SS30		EA	
12	A2006744	CENTER SUPPORT (VDSC3074B)		EA	NO LONGER AVAILABLE
13	PA070003	PRESSURE REGULATOR		EA	
14	PB050085	1/2" STREET ELBOW		EA	Not available online / Call for pricing and availability
15	PB020162	1/2" NPT STEEL PIPE-10 1/8"		EA	NO LONGER AVAILABLE
#	G50013867	VGIC307 BURNER SUPPORT SERVICE KIT		EA	NO LONGER AVAILABLE

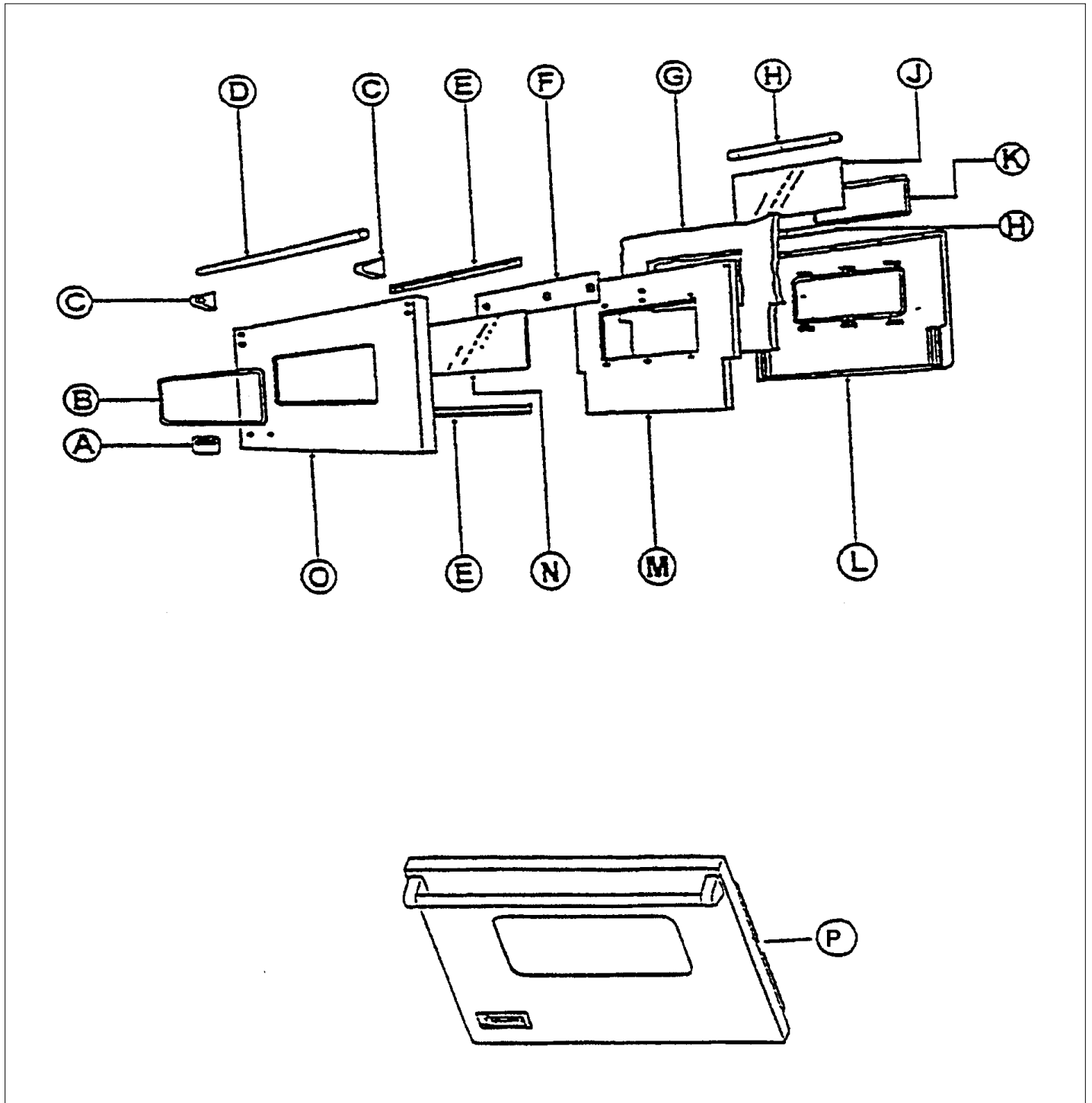
DOOR ASSEMBLY



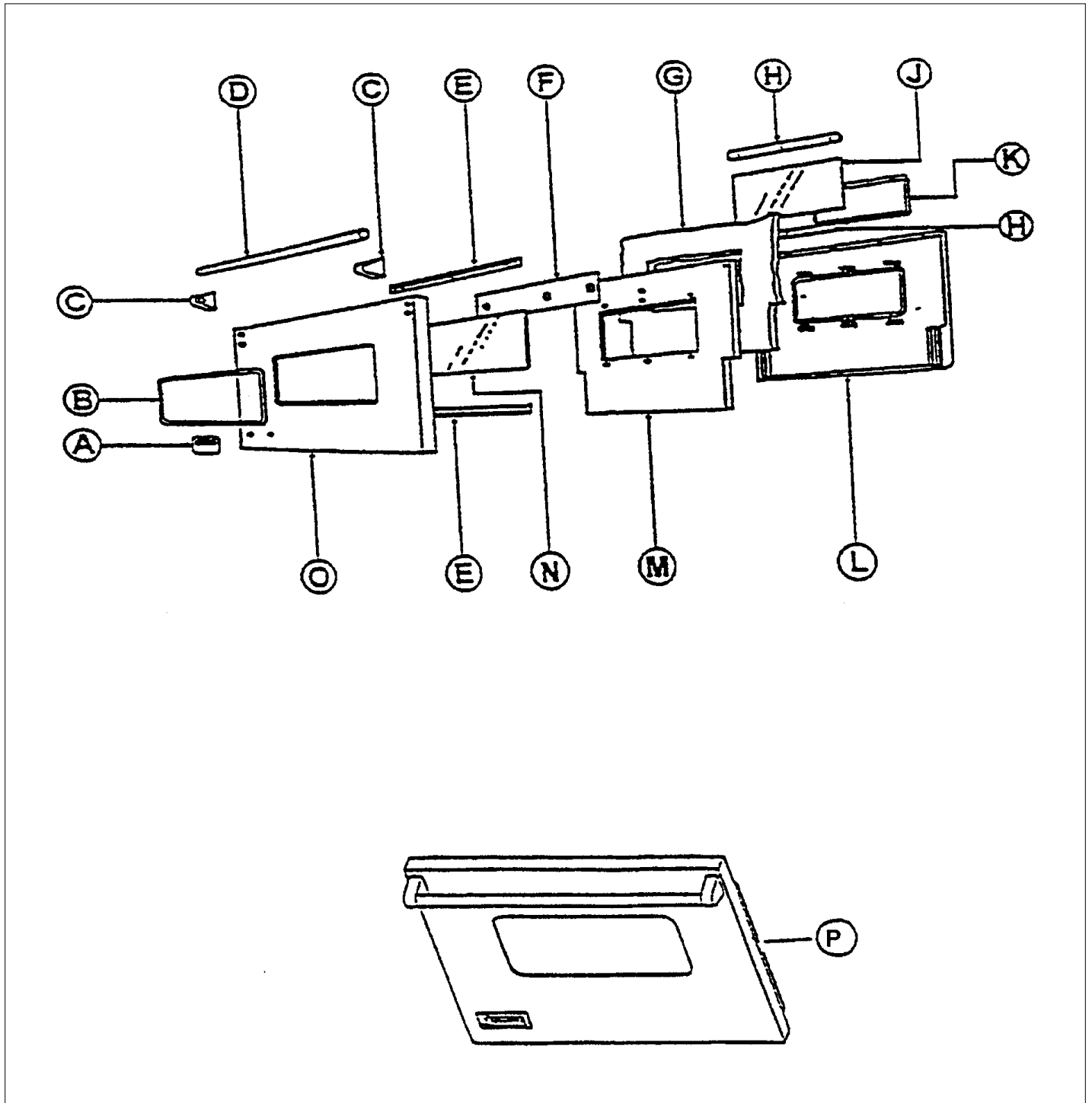
Item	Part No.	Name	Qty	Uom	NOTES
A	PE010016	LOGO (ALL RANGES) *BK/CHR 307997W	1	EA	
Not Shown	PE010079	4.5" LOGO/VIKING PROF *BK/BR	1	EA	
Not Shown	PE010017	LOGO (VGSO,VEDO,VGDO,VUD) *WH/CHR	1	EA	
Not Shown	PE010080	4.5" LOGO/VIKING PROF *WH/BR	1	EA	
B	PE060007	J-MOLD (1" RADIUS)	1	EA	
Not Shown	PE060020	J-MOLD (VGSO OVN DOOR) *BR*	1	EA	
C	000268-000	HANDLE ENDCAP	1	EA	
Not Shown	PE030001PVD	END CAP DOOR HANDLE *BR	1	EA	
D	PE030005	DOOR HANDLE - VGSC30/RC60/RC48RH	1	EA	
Not Shown	PE030012PVD	DOOR HANDLE - RH - (30"/48") PVD	1	EA	
E	A2001447	OUTER DOOR GLASS RETAINER	1	EA	
F	A1001381	DOOR HEAT BAFFLE (VGSC/VGSS)	1	EA	
G	PB070034	INSULATION-TRS-10 1" X 20" X 77' ROLL	1	EA	
H	A2001480	INNER DOOR GLASS RETAINER	1	EA	
J	PE060008	GLASS REPL PE060009	1	EA	
K	PB070014	DOOR GLASS SEAL STRIP - WINDOW DRS.	1	EA	
L	G9103408	INSIDE DOOR LINER (VGSC30)	1	EA	
M	A2001718	DOOR INSUL RETAINER (VGSC/SS) W/W	1	EA	NO LONGER AVAILABLE
N	PE060018	OVEN GLASS- TEMPERED,SCREENED*BK*	1	EA	
O	B2009171	OUTSIDE DOOR PANEL 30" SS	1	EA	
Not Shown	C9009172AL	OUTSIDE DOOR PANEL 30" *AL*	1	EA	NO LONGER AVAILABLE, Not available online / Call for pricing and availability
Not Shown	C9009172BK	OUTSIDE DOOR PANEL 30" *BK*	1	EA	



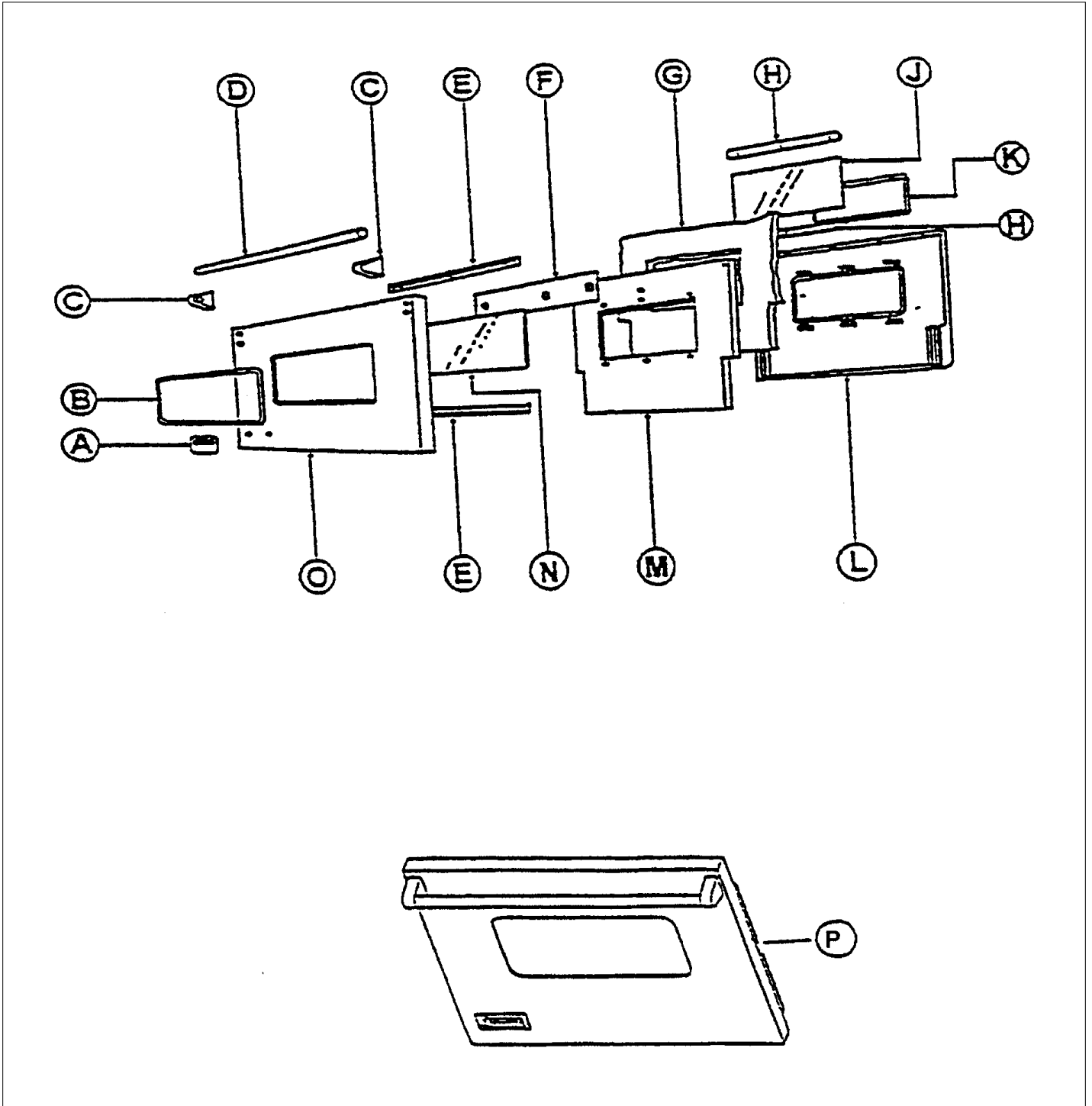
Item	Part No.	Name	Qty	Uom	NOTES
Not Shown	C9009172BT	OUTSIDE DOOR PANEL 30" *BT*	1	EA	NO LONGER AVAILABLE, Not available online / Call for pricing and availability
Not Shown	C9009172BU	OUTSIDE DOOR PANEL 30" *BU*	1	EA	NO LONGER AVAILABLE
Not Shown	C9009172CB	OUTSIDE DOOR PANEL 30" *CB*	1	EA	NO LONGER AVAILABLE
Not Shown	C9009172EP	OUTSIDE DOOR PANEL 30" *EP*	1	EA	NO LONGER AVAILABLE, Not available online / Call for pricing and availability
Not Shown	C9009172FG	OUTSIDE DOOR PANEL 30" *FG*	1	EA	NO LONGER AVAILABLE, Not available online / Call for pricing and availability
Not Shown	C9009172GG	OUTSIDE DOOR PANEL 30" *GG*	1	EA	NO LONGER AVAILABLE, Not available online / Call for pricing and availability
Not Shown	C9009172LE	OUTSIDE DOOR PANEL 30" *LE*	1	EA	NO LONGER AVAILABLE, Not available online / Call for pricing and availability
Not Shown	C9009172LN	OUTER DOOR PANEL - LN	1	EA	Not available online / Call for pricing and availability
Not Shown	C9009172MJ	OUTSIDE DOOR PANEL 30" *MJ*	1	EA	NO LONGER AVAILABLE, Not available online / Call for pricing and availability
Not Shown	C9009172PL	OUTER DOOR PANEL - PL	1	EA	Not available online / Call for pricing and availability
Not Shown	C9009172SG	OUTSIDE DOOR PANEL 30" *SG*	1	EA	NO LONGER AVAILABLE, Not available online / Call for pricing and availability
Not Shown	C9009172VB	OUTSIDE DOOR PANEL 30" *VB*	1	EA	NO LONGER AVAILABLE, Not available online / Call for pricing and availability



Item	Part No.	Name	Qty	Uom	NOTES
Not Shown	C9009172WH	OUTSIDE DOOR PANEL 30" *WH*	1	EA	
P	G3209182AL	DOOR ASSY 30" *AL*	1	EA	NO LONGER AVAILABLE, Not available online / Call for pricing and availability
Not Shown	G3209182ALBR	DOOR ASSY 30" *ALBR*	1	EA	NO LONGER AVAILABLE, Not available online / Call for pricing and availability
Not Shown	G3209182BK	DOOR ASSY 30" *BK*	1	EA	NO LONGER AVAILABLE
Not Shown	G3209182BKBR	COMPLETE DOOR ASSY. - BKBR	1	EA	Not available online / Call for pricing and availability
Not Shown	G3209182BT	DOOR ASSY 30" *BT*	1	EA	NO LONGER AVAILABLE, Not available online / Call for pricing and availability
Not Shown	G3209182BTBR	COMPLETE DOOR ASSY. - BTBR	1	EA	Not available online / Call for pricing and availability
Not Shown	G3209182BU	DOOR ASSY 30" *BU*	1	EA	NO LONGER AVAILABLE
Not Shown	G3209182BUBR	COMPLETE DOOR ASSY. - BUBR	1	EA	Not available online / Call for pricing and availability
Not Shown	G3209182CB	DOOR ASSY 30" *CB*	1	EA	NO LONGER AVAILABLE, Not available online / Call for pricing and availability
Not Shown	G3209182CBBR	COMPLETE DOOR ASSY. - CBBR	1	EA	Not available online / Call for pricing and availability
Not Shown	G3209182EP	DOOR ASSY 30" *EP*	1	EA	NO LONGER AVAILABLE, Not available online / Call for pricing and availability
Not Shown	G3209182EPBR	COMPLETE DOOR ASSY. - EPBR	1	EA	Not available online / Call for pricing and availability

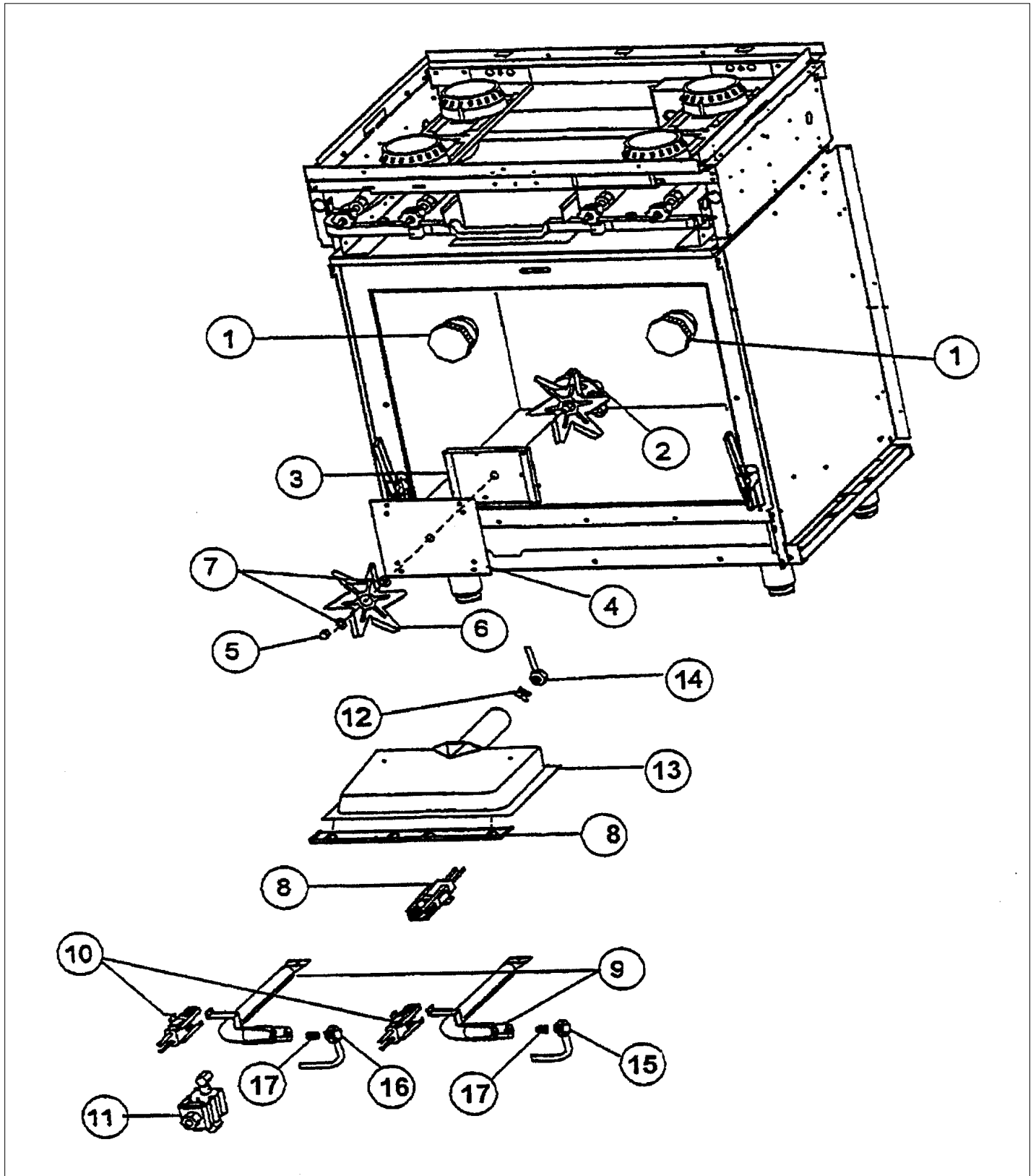


Item	Part No.	Name	Qty	Uom	NOTES
Not Shown	G3209182FG	DOOR ASSY 30" *FG*	1	EA	NO LONGER AVAILABLE, Not available online / Call for pricing and availability
Not Shown	G3209182FGBR	COMPLETE DOOR ASSY. - FGBR	1	EA	Not available online / Call for pricing and availability
Not Shown	G3209182GG	DOOR ASSY 30" *GG*	1	EA	NO LONGER AVAILABLE
Not Shown	G3209182GGBR	COMPLETE DOOR ASSY. - GGBR	1	EA	Not available online / Call for pricing and availability
Not Shown	G3209182LE	DOOR ASSY 30" *LE*	1	EA	NO LONGER AVAILABLE, Not available online / Call for pricing and availability
Not Shown	G3209182LEBR	COMPLETE DOOR ASSY. - LEBR	1	EA	Not available online / Call for pricing and availability
Not Shown	G3209182LN	COMPLETE DOOR ASSY. - LN	1	EA	Not available online / Call for pricing and availability
Not Shown	G3209182LNBR	COMPLETE DOOR ASSY. - LNBR	1	EA	Not available online / Call for pricing and availability
Not Shown	G3209182MJ	DOOR ASSY 30" *MJ*	1	EA	NO LONGER AVAILABLE, Not available online / Call for pricing and availability
Not Shown	G3209182MJBR	COMPLETE DOOR ASSY. - MJBR	1	EA	Not available online / Call for pricing and availability
Not Shown	G3209182PL	COMPLETE DOOR ASSY. - PL	1	EA	Not available online / Call for pricing and availability
Not Shown	G3209182PLBR	COMPLETE DOOR ASSY. - PLBR	1	EA	Not available online / Call for pricing and availability

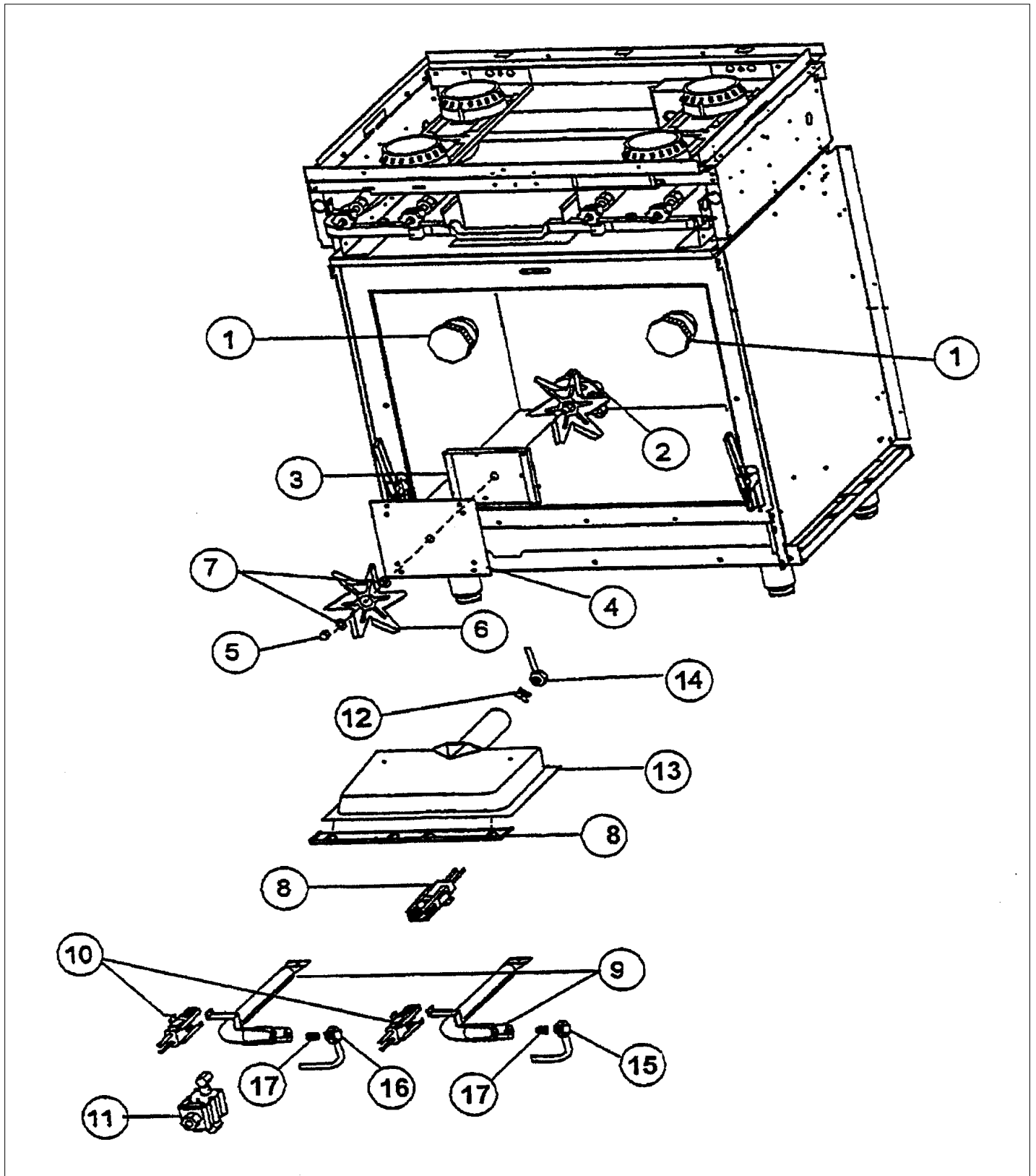




Item	Part No.	Name	Qty	Uom	NOTES
Not Shown	G3209182SG	DOOR ASSY 30" *SG*	1	EA	NO LONGER AVAILABLE, Not available online / Call for pricing and availability
Not Shown	G3209182SGBR	COMPLETE DOOR ASSY. - SGBR	1	EA	Not available online / Call for pricing and availability
Not Shown	G3209181SS	DOOR ASSY 30" *SS*	1	EA	
Not Shown	G3209181SSBR	COMPLETE DOOR ASSY. - SSBR	1	EA	Not available online / Call for pricing and availability
Not Shown	G3209182VB	DOOR ASSY 30" *VB*	1	EA	NO LONGER AVAILABLE, Not available online / Call for pricing and availability
Not Shown	G3209182VBBR	COMPLETE DOOR ASSY. - VBBR	1	EA	Not available online / Call for pricing and availability
Not Shown	G3209182WH	DOOR ASSY 30" *WH*	1	EA	NO LONGER AVAILABLE



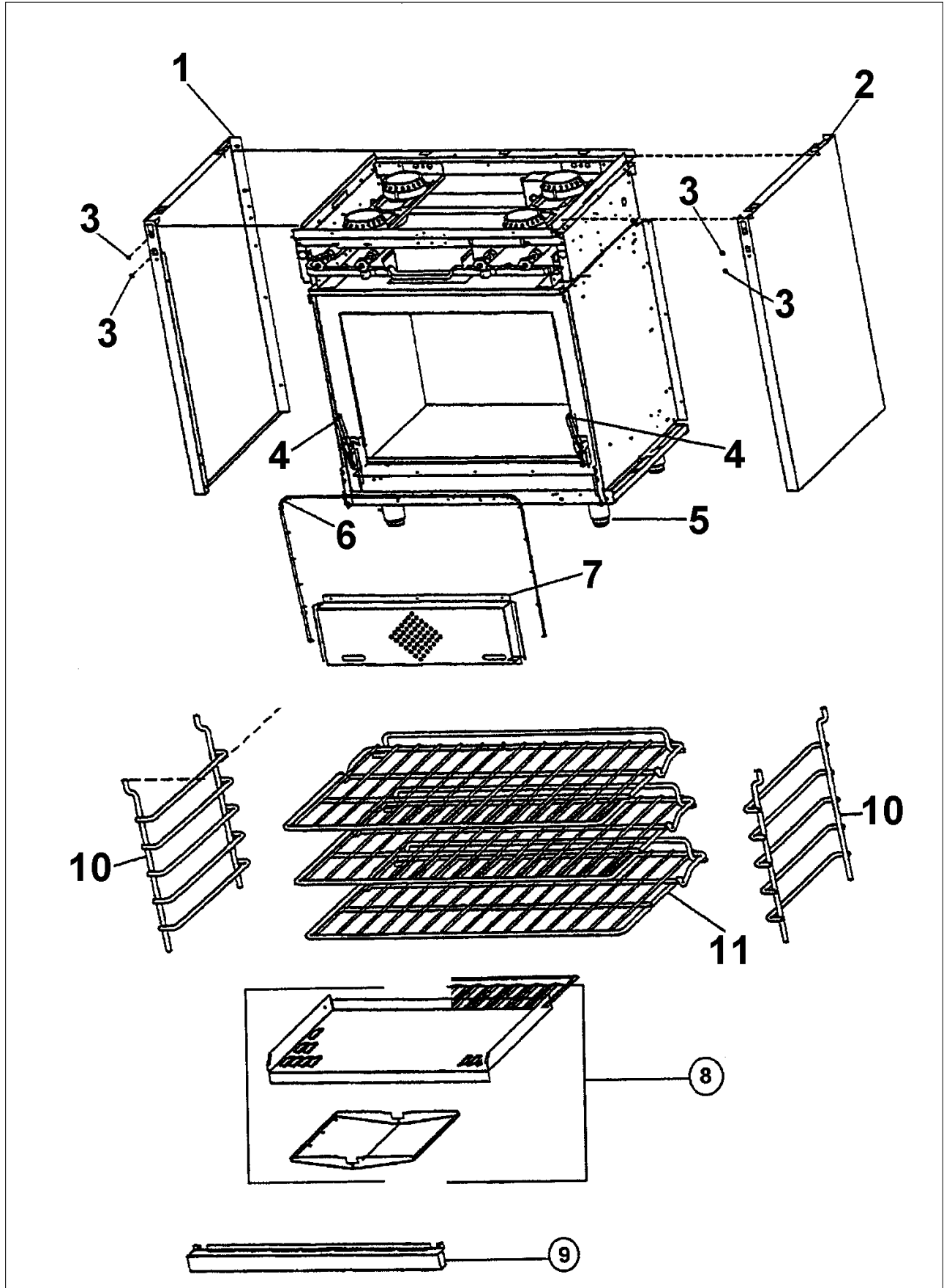
Item	Part No.	Name	Qty	Uom	NOTES
1	031449-000	LAMP, ASM	1	EA	
2	PE050057	CONVECTION FAN (VGSC306)	1	EA	
NI	G9101371	CONVECTION FAN COVER ASSY(VGSC305)	1	EA	
3	A2002595	CONVECTION FAN BOX (VDSC)	1	EA	
4	A1002596	CONVECTION FAN COVER (VDSC)	1	EA	
5	PD030035	CONVECTION FAN NUT	1	EA	
6	PE050035	CONVECTION FAN BLADE	1	EA	
Not Shown	NOTE	(MUST ORDER ITEM 2)		EA	
7	PD040030	CONVECTION FAN WASHER	1	EA	
8	PB040001	Igniter	1	EA	
9	PB050012	OVEN BURNER REPL PB050009	1	EA	
10	PB040001	Igniter	1	EA	
11	PB010084	DUAL THERMAL BI-MTL GAS CTRL VALVE	1	EA	
12	PB040040	ORIFICE-IR BURNER (VGSC)	1	EA	
Not Shown	PB040027	IR BUR.SPUD ORF. - #56 LP	1	EA	
13	G3001876	IR BURNER ASSY (VGSC/RC) N/S	1	EA	
14	PB020061	TUBING - BROIL-SAFETY VALVE(VGIS48)	1	EA	
#	PD030018	PALNUT - 3/4-16	1	EA	
15	PB020023	BAKE BURNER TUBE RH OVEN	1	EA	
16	PB020022	BAKE BURNER TUBE LH OVEN	1	EA	
17	PB040057	ORIFICE HOOD-#46	1	EA	
Not Shown	PB040059	ORIFICE HOOD-#54 9701B1654	1	EA	
18	B2001448	IR BROIL SUPT (FRONT)	1	EA	
#	020409-000	BRACKET, SPRT, FR, I/R BROILER	1	EA	
#	PB020050	SHUTOFF-SINGLE/DUAL VALVE (SS48/36)	1	EA	NO LONGER AVAILABLE
#	PB020216	3/8 S.S. FLEX TUBING 41"	1	EA	
#	A2008467	INSULATION SHIELD	1	EA	



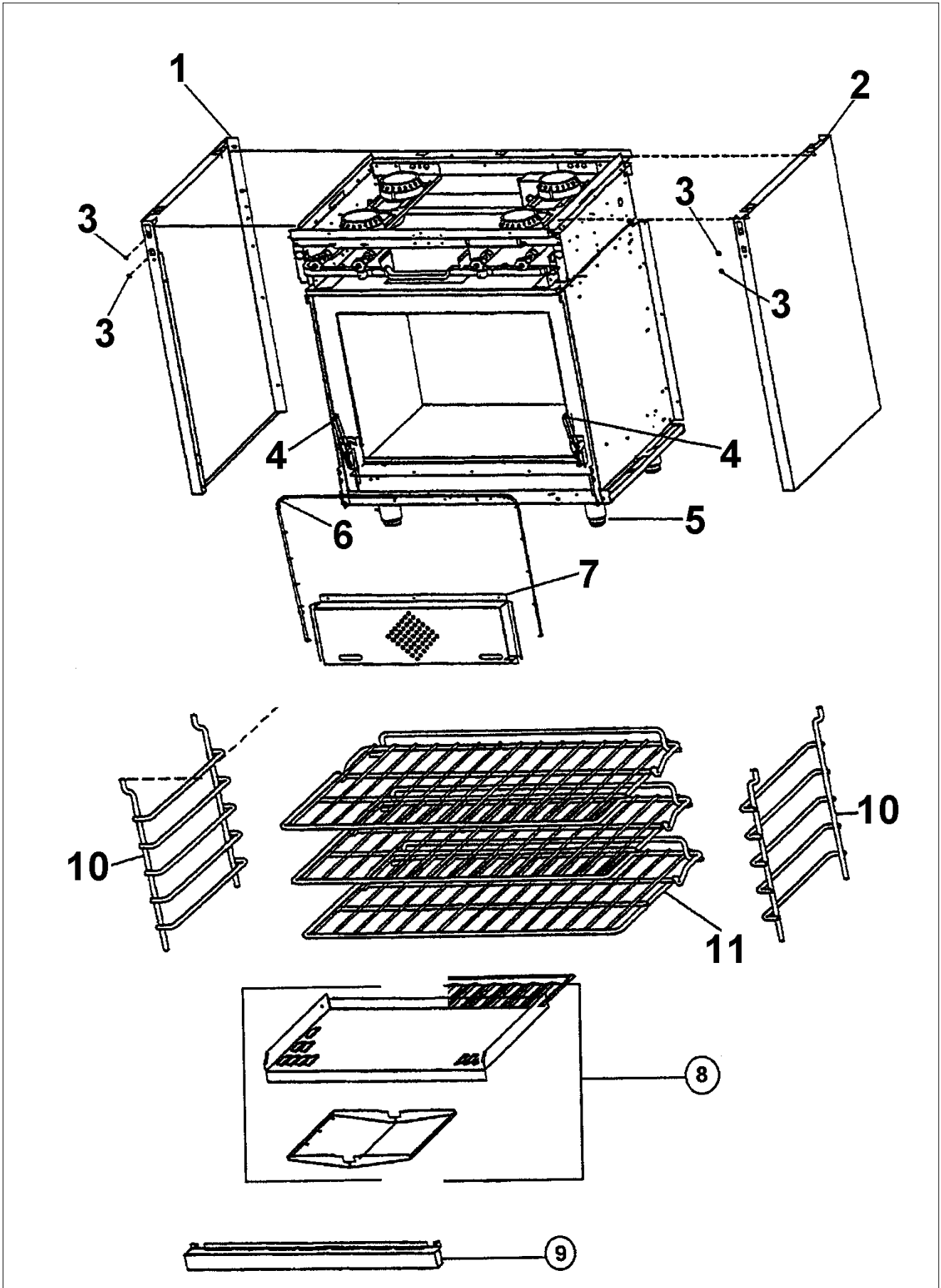


Item	Part No.	Name	Qty	Uom	NOTES
#	PE070460	WIRING HARNESS - VGIC307	1	EA	
#	PB020041	SHUTOFF TUBING	1	EA	
#	003326-000	PLATE, BASE, LWR, 36"	1	EA	
NI	PE070713	IGNITOR WIRE KIT - VGIC/VDSC/VGSC307	1	EA	

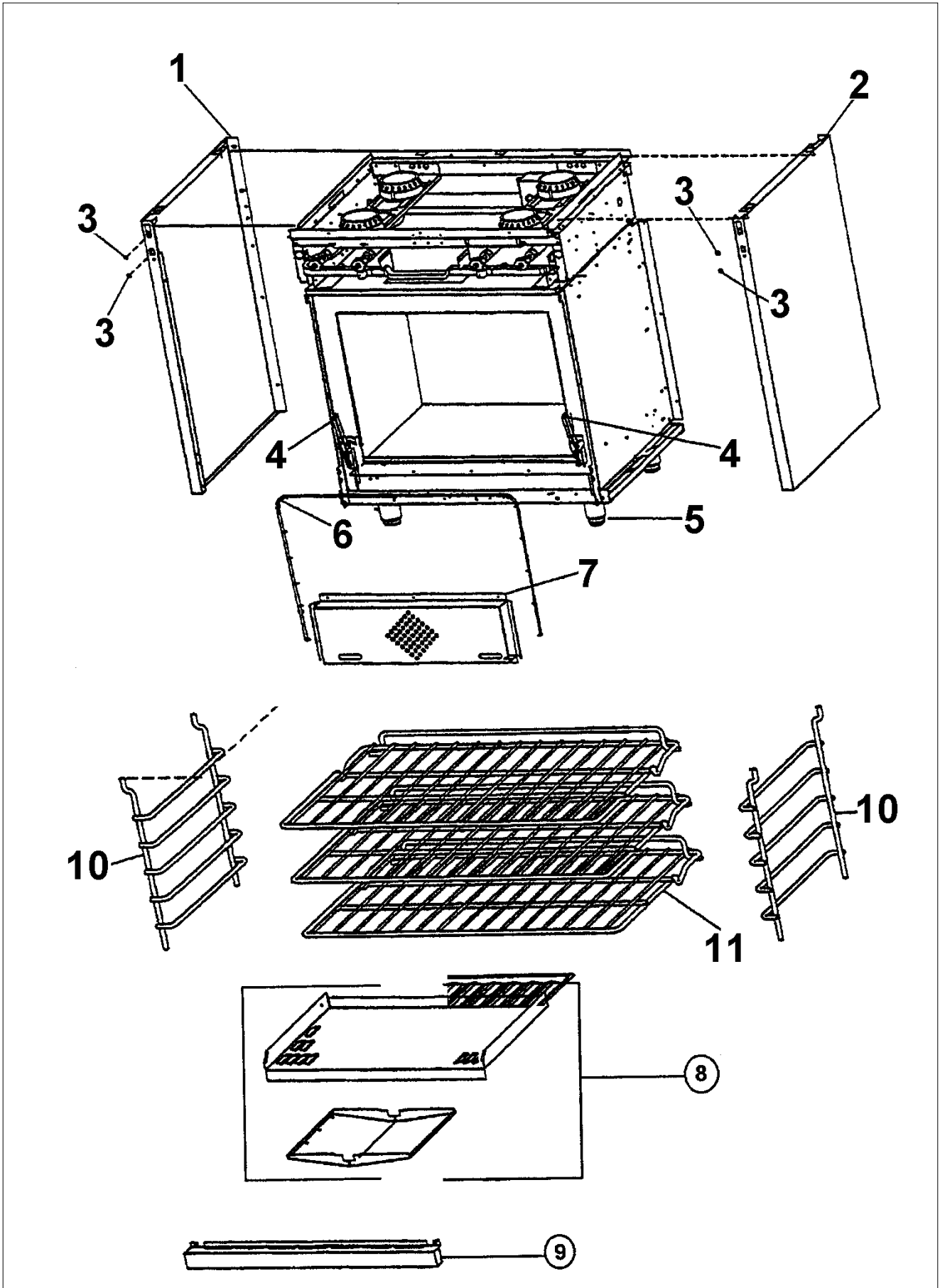
VGIC 307 PANEL-OVEN ASSY



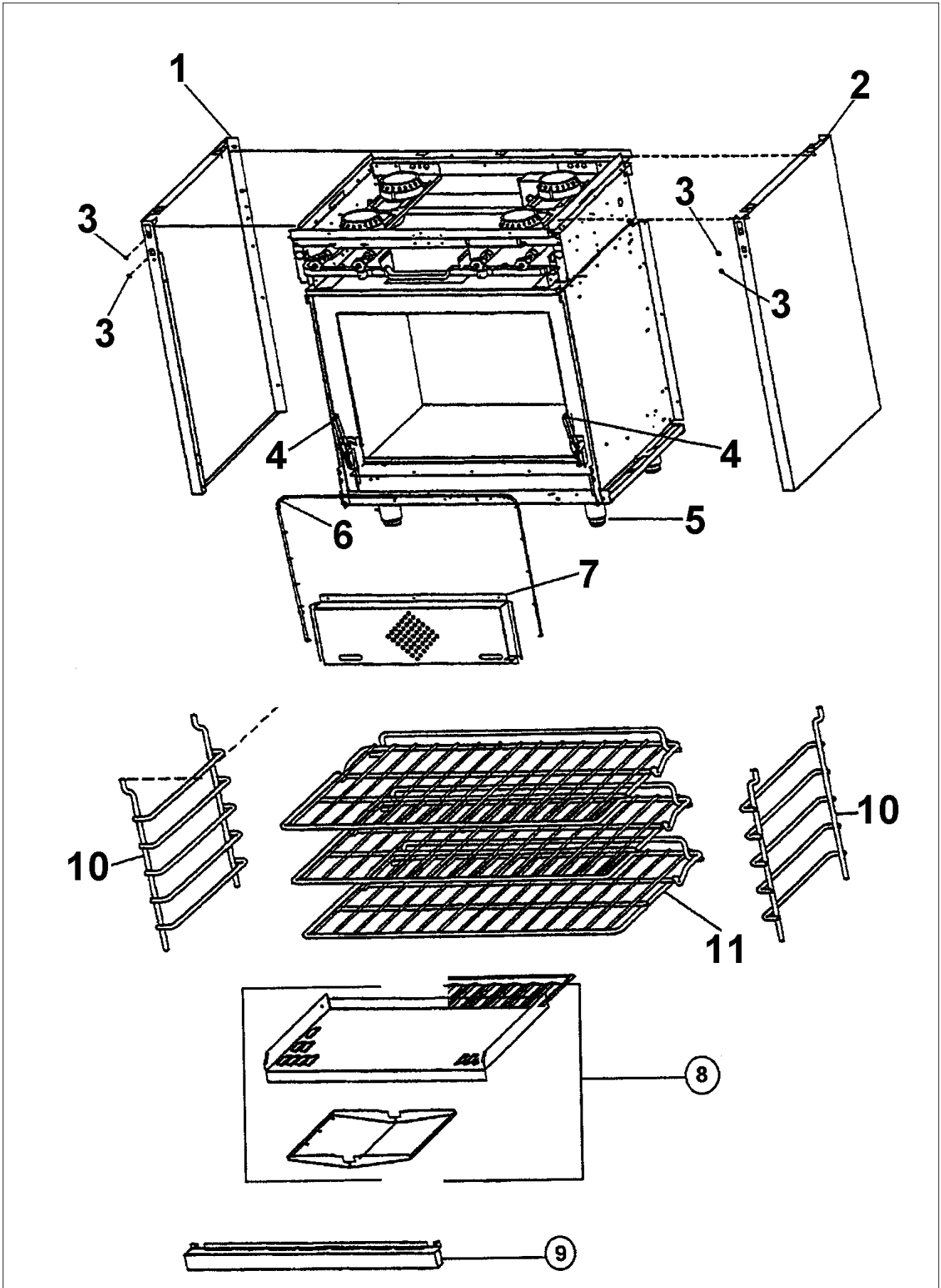
Item	Part No.	Name	Qty	Uom	NOTES
1	B2006750	O/S BODY PANEL-LH (VDSC3074)	1	EA	
Not Shown	C9006750AL	O/S BODY PANEL-LH *AL* (VDSC)	1	EA	NO LONGER AVAILABLE, Not available online / Call for pricing and availability
Not Shown	C9006750BK	O/S BODY PANEL-LH *BK* (VDSC)	1	EA	NO LONGER AVAILABLE
Not Shown	C9006750BT	O/S BODY PANEL-LH *BT* (VDSC)	1	EA	NO LONGER AVAILABLE, Not available online / Call for pricing and availability
Not Shown	C9006750BU	O/S BODY PANEL-LH *BU* (VDSC)	1	EA	NO LONGER AVAILABLE, Not available online / Call for pricing and availability
Not Shown	C9006750CB	O/S BODY PANEL-LH *CB* (VDSC)	1	EA	NO LONGER AVAILABLE, Not available online / Call for pricing and availability
Not Shown	C9006750EP	O/S BODY PANEL-LH *EP* (VDSC)	1	EA	NO LONGER AVAILABLE, Not available online / Call for pricing and availability
Not Shown	C9006750FG	O/S BODY PANEL-LH *FG* (VDSC)	1	EA	NO LONGER AVAILABLE, Not available online / Call for pricing and availability
Not Shown	C9006750GG	O/S BODY PANEL-LH *GG* (VDSC)	1	EA	NO LONGER AVAILABLE, Not available online / Call for pricing and availability
Not Shown	C9006750LE	O/S BODY PANEL-LH *LE* (VDSC)	1	EA	NO LONGER AVAILABLE
Not Shown	C9006750MJ	O/S BODY PANEL-LH *MJ* (VDSC)	1	EA	NO LONGER AVAILABLE, Not available online / Call for pricing and availability
Not Shown	C9006750SG	O/S BODY PANEL-LH *SG* (VDSC)	1	EA	NO LONGER AVAILABLE, Not available online / Call for pricing and availability



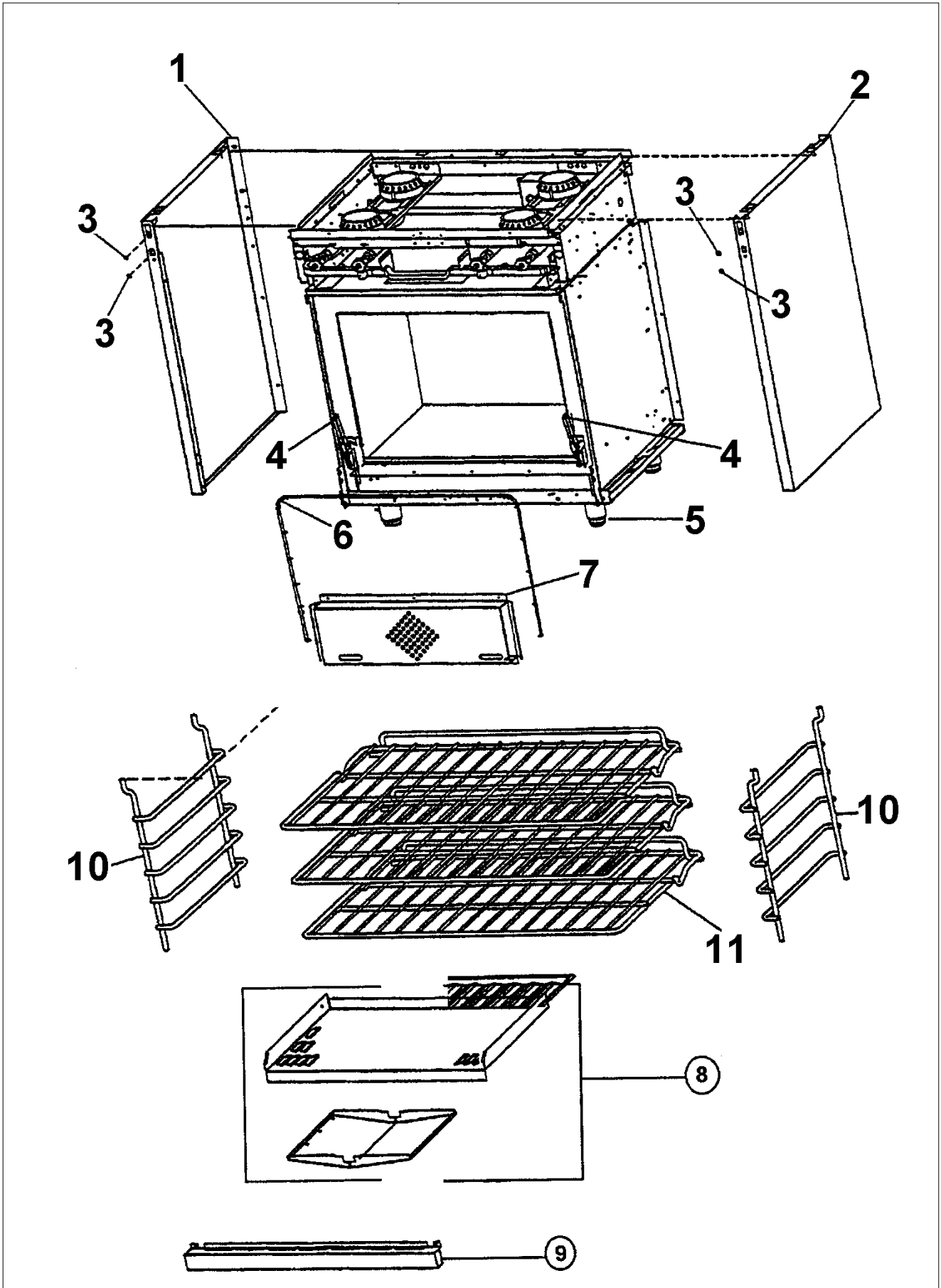
Item	Part No.	Name	Qty	Uom	NOTES
Not Shown	C9006750VB	O/S BODY PANEL-LH *VB* (VDSC)	1	EA	NO LONGER AVAILABLE, Not available online / Call for pricing and availability
Not Shown	C9006750WH	O/S BODY PANEL-LH *WH* (VDSC)	1	EA	NO LONGER AVAILABLE, Not available online / Call for pricing and availability
2	B2006749	O/S BODY PANEL-RH (VDSC3074B)	1	EA	Not available online / Call for pricing and availability
Not Shown	C9006749AL	O/S BODY PANEL-RH *AL* (VDSC)	1	EA	NO LONGER AVAILABLE
Not Shown	C9006749BK	O/S BODY PANEL-RH *BK* (VDSC)	1	EA	NO LONGER AVAILABLE
Not Shown	C9006749BT	O/S BODY PANEL-RH *BT* (VDSC)	1	EA	NO LONGER AVAILABLE, Not available online / Call for pricing and availability
Not Shown	C9006749BU	O/S BODY PANEL-RH *BU* (VDSC)	1	EA	NO LONGER AVAILABLE
Not Shown	C9006749CB	O/S BODY PANEL-RH *CB* (VDSC)	1	EA	NO LONGER AVAILABLE, Not available online / Call for pricing and availability
Not Shown	C9006749EP	O/S BODY PANEL-RH *EP* (VDSC)	1	EA	NO LONGER AVAILABLE, Not available online / Call for pricing and availability
Not Shown	C9006749FG	O/S BODY PANEL-RH *FG* (VDSC)	1	EA	NO LONGER AVAILABLE, Not available online / Call for pricing and availability
Not Shown	C9006749GG	O/S BODY PANEL-RH *GG* (VDSC)	1	EA	NO LONGER AVAILABLE, Not available online / Call for pricing and availability
Not Shown	C9006749LE	O/S BODY PANEL-RH *LE* (VDSC)	1	EA	NO LONGER AVAILABLE, Not available online / Call for pricing and availability



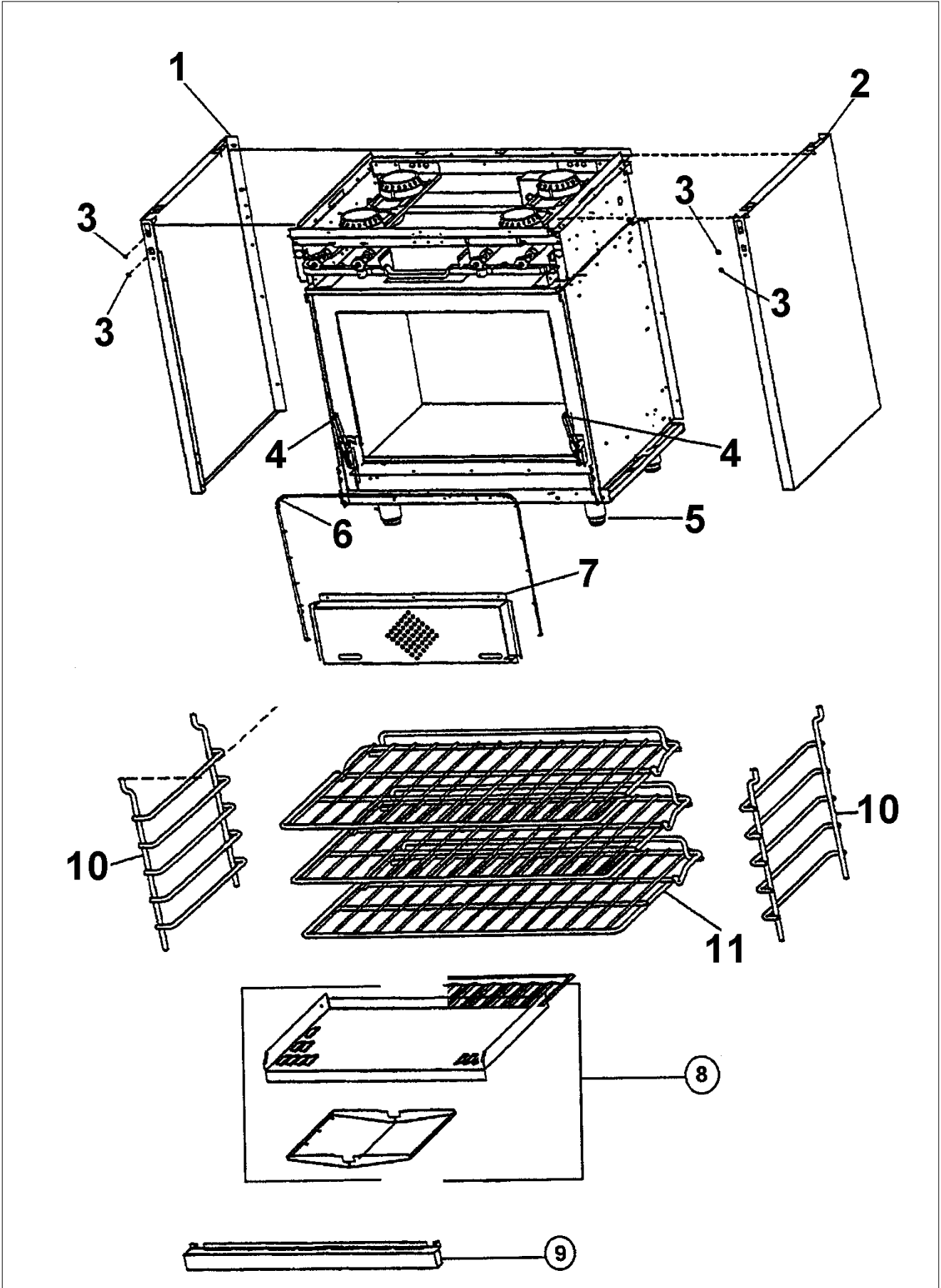
Item	Part No.	Name	Qty	Uom	NOTES
Not Shown	C9006749MJ	O/S BODY PANEL-RH *MJ* (VDSC)	1	EA	NO LONGER AVAILABLE, Not available online / Call for pricing and availability
Not Shown	C9006749SG	O/S BODY PANEL-RH *SG* (VDSC)	1	EA	NO LONGER AVAILABLE, Not available online / Call for pricing and availability
Not Shown	C9006749VB	O/S BODY PANEL-RH *VB* (VDSC)	1	EA	NO LONGER AVAILABLE, Not available online / Call for pricing and availability
Not Shown	C9006749WH	O/S BODY PANEL-RH *WH* (VDSC)	1	EA	NO LONGER AVAILABLE
Not Shown	B2007870	IC SEALED LH SIDE PANEL	1	EA	
Not Shown	C9007870AL	IC SEALED LH SIDE PANEL *AL*	1	EA	NO LONGER AVAILABLE, Not available online / Call for pricing and availability
Not Shown	C9007870BK	IC SEALED LH SIDE PANEL *BK*	1	EA	NO LONGER AVAILABLE
Not Shown	C9007870BT	IC SEALED LH SIDE PANEL *BT*	1	EA	NO LONGER AVAILABLE, Not available online / Call for pricing and availability
Not Shown	C9007870BU	IC SEALED LH SIDE PANEL *BU*	1	EA	NO LONGER AVAILABLE
Not Shown	C9007870CB	IC SEALED LH SIDE PANEL *CB*	1	EA	NO LONGER AVAILABLE
Not Shown	C9007870EP	IC SEALED LH SIDE PANEL *EP*	1	EA	NO LONGER AVAILABLE, Not available online / Call for pricing and availability
Not Shown	C9007870FG	IC SEALED LH SIDE PANEL *FG*	1	EA	NO LONGER AVAILABLE, Not available online / Call for pricing and availability
Not Shown	C9007870GG	IC SEALED LH SIDE PANEL *GG*	1	EA	NO LONGER AVAILABLE, Not available online / Call for pricing and availability



Item	Part No.	Name	Qty	Uom	NOTES
Not Shown	C9007870LE	IC SEALED LH SIDE PANEL *LE*	1	EA	NO LONGER AVAILABLE, Not available online / Call for pricing and availability
Not Shown	C9007870MJ	IC SEALED LH SIDE PANEL *MJ*	1	EA	NO LONGER AVAILABLE, Not available online / Call for pricing and availability
Not Shown	C9007870SG	IC SEALED LH SIDE PANEL *SG*	1	EA	NO LONGER AVAILABLE
Not Shown	C9007870VB	IC SEALED LH SIDE PANEL *VB*	1	EA	NO LONGER AVAILABLE, Not available online / Call for pricing and availability
Not Shown	C9007870WH	IC SEALED LH SIDE PANEL *WH*	1	EA	NO LONGER AVAILABLE
Not Shown	B2007869	IC SEALED RH SIDE PANEL	1	EA	
Not Shown	C9007869AL	IC SEALED RH SIDE PANEL *AL*	1	EA	NO LONGER AVAILABLE, Not available online / Call for pricing and availability
Not Shown	C9007869BK	IC SEALED RH SIDE PANEL *BK*	1	EA	NO LONGER AVAILABLE
Not Shown	C9007869BT	IC SEALED RH SIDE PANEL *BT*	1	EA	NO LONGER AVAILABLE
Not Shown	C9007869BU	SEALED RH SIDE PANEL *BU*	1	EA	NO LONGER AVAILABLE
Not Shown	C9007869CB	IC SEALED RH SIDE PANEL *CB*	1	EA	NO LONGER AVAILABLE
Not Shown	C9007869EP	IC SEALED RH SIDE PANEL *EP*	1	EA	NO LONGER AVAILABLE
Not Shown	C9007869FG	IC SEALED RH SIDE PANEL *FG*	1	EA	NO LONGER AVAILABLE, Not available online / Call for pricing and availability
Not Shown	C9007869GG	IC SEALED RH SIDE PANEL *GG*	1	EA	NO LONGER AVAILABLE, Not available online / Call for pricing and availability
Not Shown	C9007869LE	IC SEALED RH SIDE PANEL *LE*	1	EA	NO LONGER AVAILABLE, Not available online / Call for pricing and availability

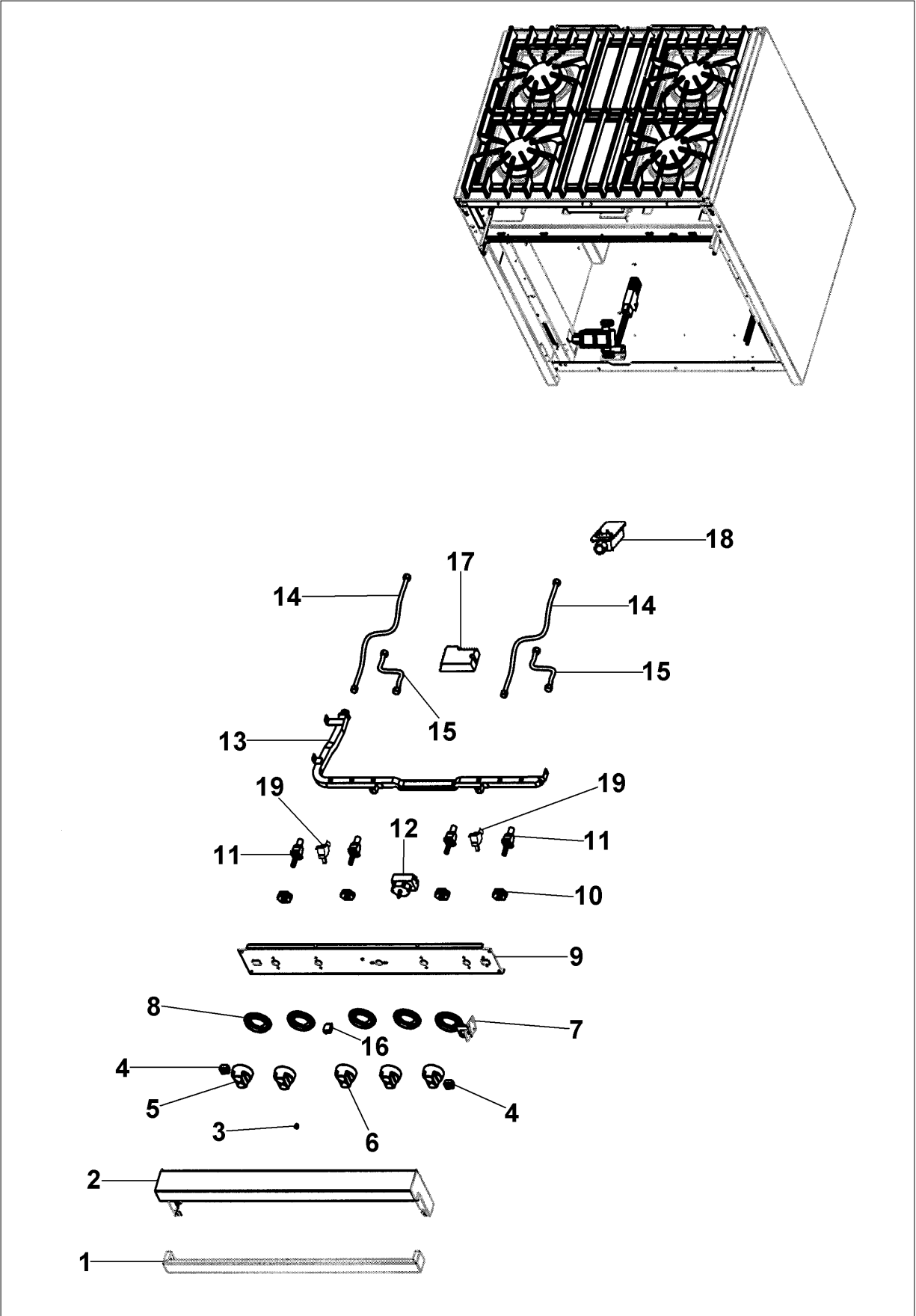


Item	Part No.	Name	Qty	Uom	NOTES
Not Shown	C9007869MJ	IC SEALED RH SIDE PANEL *MJ*	1	EA	NO LONGER AVAILABLE, Not available online / Call for pricing and availability
Not Shown	C9007869SG	IC SEALED RH SIDE PANEL *SG*	1	EA	NO LONGER AVAILABLE
Not Shown	C9007869VB	IC SEALED RH SIDE PANEL *VB*	1	EA	NO LONGER AVAILABLE, Not available online / Call for pricing and availability
Not Shown	C9007869WH	IC SEALED RH SIDE PANEL *WH*	1	EA	Not available online / Call for pricing and availability
3	PD030005	SELF RETAINING NUT	1	EA	
4	PC020007	HINGE ASSY (NO COLOR)	1	EA	
5	PC030017	4" LEG ASSY	1	EA	
6	PB070030	OVEN DR GASKET-30" & 36"	1	EA	
7	G9101371	CONVECTION FAN COVER ASSY(VGSC305)	1	EA	
8	G3204251	OVEN BOTTOM ASSY - RH OVEN, 48"	1	EA	
9	B2001815	LOWER ACC PAN - (VGRC605)	1	EA	
Not Shown	C9001815AL	LOWER ACC PAN - *AL* (VGRC605)	1	EA	Not available online / Call for pricing and availability
Not Shown	C9001815BK	LOWER ACC PAN - *BK* (VGRC605)	1	EA	
Not Shown	C9001815BT	LOWER ACC PAN - *BT* (VGRC605)	1	EA	NO LONGER AVAILABLE
Not Shown	C9001815BU	LOWER ACC PAN - *BU* (VGRC605)	1	EA	Not available online / Call for pricing and availability
Not Shown	C9001815CB	LOWER ACC PAN - *CB* (VGRC605)	1	EA	Not available online / Call for pricing and availability
Not Shown	C9001815EP	LOWER ACC PAN - *EP* (VGRC605)	1	EA	NO LONGER AVAILABLE, Not available online / Call for pricing and availability

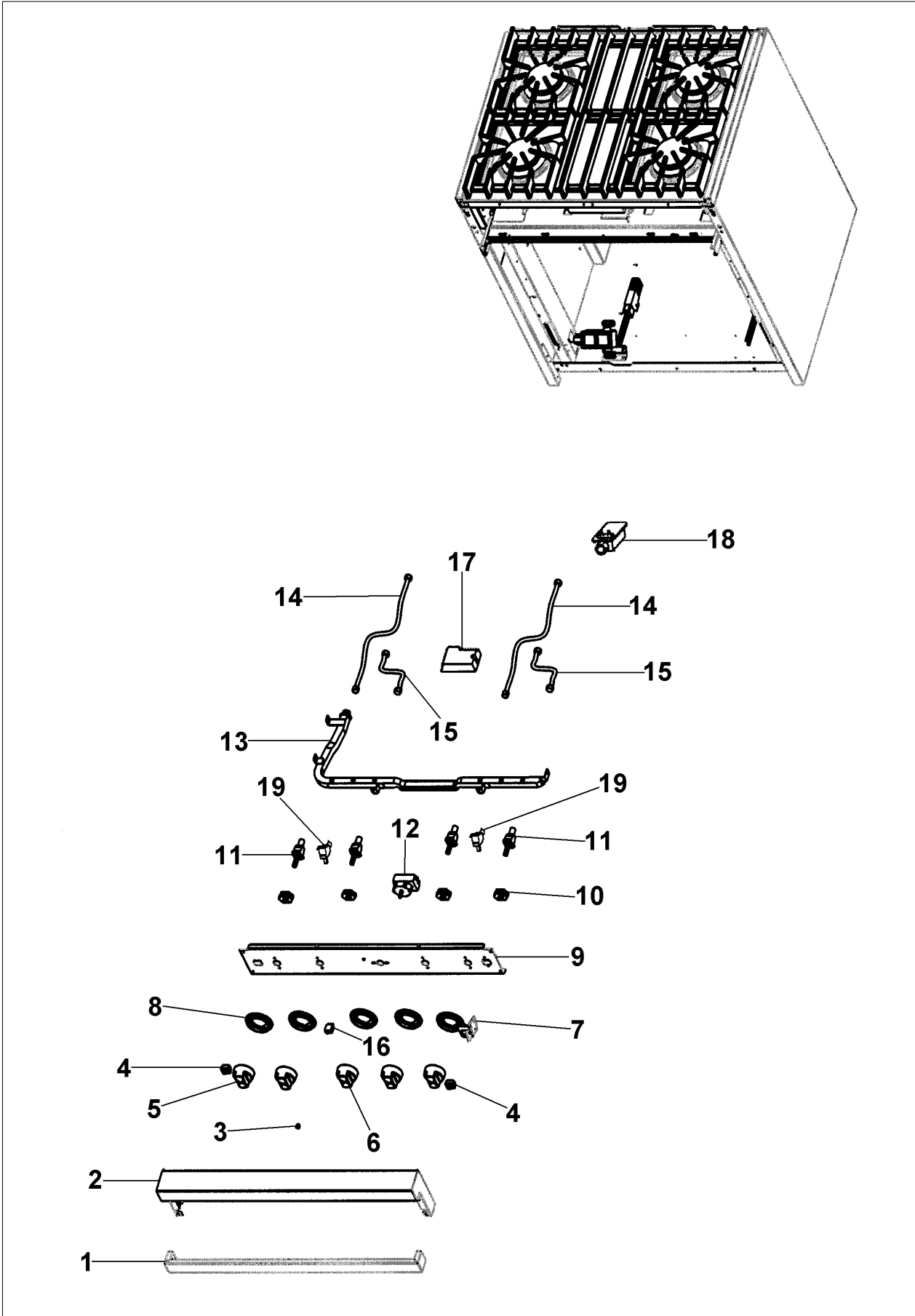


Item	Part No.	Name	Qty	Uom	NOTES
Not Shown	C9001815FG	LOWER ACC PAN - *FG* (VGRC605)	1	EA	NO LONGER AVAILABLE, Not available online / Call for pricing and availability
Not Shown	C9001815GG	LOWER ACC PAN - *GG* (VGRC605)	1	EA	NO LONGER AVAILABLE
Not Shown	C9001815LE	LOWER ACC PAN - *LE* (VGRC605)	1	EA	NO LONGER AVAILABLE
Not Shown	C9001815LN	LOWER ACC PAN - *LN* (VGRC605)	1	EA	NO LONGER AVAILABLE, Not available online / Call for pricing and availability
Not Shown	C9001815MJ	LOWER ACC PAN - *MJ* (VGRC605)	1	EA	NO LONGER AVAILABLE, Not available online / Call for pricing and availability
Not Shown	C9001815PL	LOWER ACC PAN - *PL* (VGRC605)	1	EA	NO LONGER AVAILABLE
Not Shown	C9001815SG	LOWER ACC PAN - *SG* (VGRC605)	1	EA	
Not Shown	C9001815VB	LOWER ACC PAN - *VB* (VGRC605)	1	EA	NO LONGER AVAILABLE
Not Shown	C9001815WH	LOWER ACC PAN - *WH* (VGRC605)	1	EA	
NI	A2008456	HINGE POCKET COVER,VGIC RH	1	EA	
NI	A2008457	HINGE POCKET COVER,VGIC LH	1	EA	
NI	PM010027	BACKGUARD ASSEMBLY	1	EA	Not available online / Call for pricing and availability
10	PB060030	RACK SUPT REPL PB060010	1	EA	
11	PB060038	RACK REPL PB060011	1	EA	

VGIC307 CONTROL ASSY



Item	Part No.	Name	Qty	Uom	NOTES
1	G50014406	30" FALSE TRAY HANDLE SVC. KIT (SS)	1	EA	NO LONGER AVAILABLE
Not Shown	G50014407	30" FALSE TRAY HANDLE SVC. KIT (BR)	1	EA	NO LONGER AVAILABLE
2	G3006766	SEALED LANDING LEDGE ASSY	1	EA	
3	PE050023	OVEN IND. LIGHT (LENS & BEZEL)	1	EA	
4	PE050016	OVEN LIGHT SWITCH - *BK* (WES-GAR)	1	EA	
Not Shown	PE050017	OVEN LIGHT SWITCH - *WH* (WES-GAR)	1	EA	
5	PB010206	TOP BURNER KNOB BK	1	EA	
Not Shown	PB010207	TOP BURNER KNOB WH	1	EA	Not available online / Call for pricing and availability
6	PB010099	T/STAT B/B KNOB BK REPL PB010039BK*	1	EA	
<p>Comments for Part Num. PB010099</p> <p>imardr@att.net on Nov 8, 2015 need to list the white knob for a VGIC3054BWH Reply by bradleysapplianceservice@shaw.ca on Sep 30, 2016 The White Knobs are NLA. Only Black are available. bradleysapplianceservice@shaw.ca on Sep 30, 2016 THE WHITE KNOBS ARE NLA. ONLY BLACK KNOBS ARE AVAILABLE.</p>					
Not Shown	PB010100	THERMOSTAT BAKE/BROIL KNOB *WH* N/S	1	EA	
7	PE010081	CONVECTION-LABEL/PLATE (CHROME)	1	EA	
Not Shown	PE010082	CONVECTION-LABEL/PLATE (*BR*)	1	EA	
8	050172-000	BEZEL, KNOB	1	EA	
Not Shown	PB010172	BEZEL NEW BR REPL PB010107	1	EA	
9	B9202840	CTRL PAN VGSC305-4B REPL B9201791	1	EA	
10	PA020015	Spark Ignition Switch	1	EA	
Not Shown	NOTE	BEFORE 2/23/05		EA	
10	PA020045	Spark Ignition Switch	1	EA	





Item	Part No.	Name	Qty	Uom	NOTES
Not Shown	NOTE	AFTER 2/23/05		EA	
11	G50012679	Top Burner Valve Kit	1	EA	
PA010158	003517-000	PA010158 VALVE AND BOLT KIT	1	EA	
12	PB010036	THERMOSTAT BAKE/BROIL	1	EA	
13	002156-000	30" UNIVERSAL MANIFOLD	1	EA	
14	PB020193	16" FLEX TUBING W/CONNECTORS	1	EA	
15	PB020192	10" FLEX TUBING W/CONNECTORS	1	EA	
16	PE050024	OVEN IND. LIGHT (LIGHT HOUSING)	1	EA	
<p>Comments for Part Num. PE050024</p> <p>haarnink@vikingrange.com on Jan 14, 2019 please note that the indicator light is now part 043135-000 but needs the Jumper harness 051443-000. and second option there are units in the field with a 230V indicator light part number 036566-000.</p> <p>please check this for all "E" module ranges/Tops</p>					
17	PA020047	INVENSYS 0+4 RE-IGNITION SPARK MODULE	1	EA	
NI	PE070128	Supply Cord	1	EA	
18	PB010083	SINGLE THERMAL VALVE LH (OVEN)	1	EA	
19	003862-000	SHUTOFF VALVE (PB030002 VALVE AND BOLT KIT)	1	EA	
PB030007	007147-000	SHUTOFF VALVE ASSY	1	EA	



Appendix A:Pages Index

BURNER BOX EXTERIOR 1
DOOR ASSEMBLY 2
GAS ELECTRICAL 3
VGIC 307 PANEL-OVEN ASSY 4
VGIC307 CONTROL ASSY 5



Appendix B:Parts Index

000268-000	2	C9001815MJ	4
002156-000	5	C9001815PL	4
003326-000	3	C9001815SG	4
003517-000	5	C9001815VB	4
003862-000	5	C9001815WH	4
007147-000	5	C9006749AL	4
020409-000	3	C9006749BK	4
031449-000	3	C9006749BT	4
050172-000	5	C9006749BU	4
A1001381	2	C9006749CB	4
A1002596	3	C9006749EP	4
A2001447	2	C9006749FG	4
A2001480	2	C9006749GG	4
A2001718	2	C9006749LE	4
A2002364	1	C9006749MJ	4
A2002595	3	C9006749SG	4
A2006744	1	C9006749VB	4
A2008456	4	C9006749WH	4
A2008457	4	C9006750AL	4
A2008467	3	C9006750BK	4
B2001448	3	C9006750BT	4
B2001815	4	C9006750BU	4
B2006724	1, 1	C9006750CB	4
B2006749	4	C9006750EP	4
B2006750	4	C9006750FG	4
B2007868	1, 1	C9006750GG	4
B2007869	4	C9006750LE	4
B2007870	4	C9006750MJ	4
B2009171	2	C9006750SG	4
B9202840	5	C9006750VB	4
C9001815AL	4	C9006750WH	4
C9001815BK	4	C9007869AL	4
C9001815BT	4	C9007869BK	4
C9001815BU	4	C9007869BT	4
C9001815CB	4	C9007869BU	4
C9001815EP	4	C9007869CB	4
C9001815FG	4	C9007869EP	4
C9001815GG	4	C9007869FG	4
C9001815LE	4	C9007869GG	4
C9001815LN	4	C9007869LE	4
		C9007869MJ	4



C9007869SG	4	E9107413MJ	1
C9007869VB	4	E9107413SG	1
C9007869WH	4	E9107413VB	1
C9007870AL	4	E9107413WH	1
C9007870BK	4	G3001876	3
C9007870BT	4	G3006766	5
C9007870BU	4	G3204251	4
C9007870CB	4	G3206723	1
C9007870EP	4	G3206723AL	1
C9007870FG	4	G3206723BT	1
C9007870GG	4	G3206723CB	1
C9007870LE	4	G3206723EP	1
C9007870MJ	4	G3206723FG	1
C9007870SG	4	G3206723GG	1
C9007870VB	4	G3206723LE	1
C9007870WH	4	G3206723MJ	1
C9009172AL	2	G3206723SG	1
C9009172BK	2	G3206723VB	1
C9009172BT	2	G3206723WH	1
C9009172BU	2	G3206743	1
C9009172CB	2	G3209181SS	2
C9009172EP	2	G3209181SSBR	2
C9009172FG	2	G3209182AL	2
C9009172GG	2	G3209182ALBR	2
C9009172LE	2	G3209182BK	2
C9009172LN	2	G3209182BKBR	2
C9009172MJ	2	G3209182BT	2
C9009172PL	2	G3209182BTBR	2
C9009172SG	2	G3209182BU	2
C9009172VB	2	G3209182BUBR	2
C9009172WH	2	G3209182CB	2
C9306724BR	1, 1	G3209182CBBR	2
C9307868BR	1, 1	G3209182EP	2
E9107413AL	1	G3209182EPBR	2
E9107413BK	1	G3209182FG	2
E9107413BT	1	G3209182FGBR	2
E9107413CB	1	G3209182GG	2
E9107413EP	1	G3209182GGBR	2
E9107413FG	1	G3209182LE	2
E9107413GG	1	G3209182LEBR	2
E9107413LE	1	G3209182LN	2



G3209182LNBR	2	PB020192	5
G3209182MJ	2	PB020193	5
G3209182MJBR	2	PB020216	3
G3209182PL	2	PB040001	3, 3
G3209182PLBR	2	PB040027	3
G3209182SG	2	PB040040	3
G3209182SGBR	2	PB040057	3
G3209182VB	2	PB040059	3
G3209182VBBR	2	PB050012	3
G3209182WH	2	PB050063	1
G50012679	5	PB050081	1
G50013867	1	PB050085	1
G50014406	5	PB060030	4
G50014407	5	PB060038	4
G9101371	3, 4	PB070014	2
G9103408	2	PB070030	4
PA010100	1	PB070034	2
PA020015	5	PC020007	4
PA020045	5	PC030017	4
PA020047	5	PD030005	4
PA060054	1	PD030018	3
PA060060	1	PD030035	3
PA060061	1	PD040030	3
PA060062	1	PE010016	2
PA070003	1	PE010017	2
PA080083	1	PE010079	2
PA080086	1	PE010080	2
PB010036	5	PE010081	5
PB010083	5	PE010082	5
PB010084	3	PE030001PVD	2
PB010099	5	PE030005	2
PB010100	5	PE030012PVD	2
PB010172	5	PE050016	5
PB010206	5	PE050017	5
PB010207	5	PE050023	5
PB020022	3	PE050024	5
PB020023	3	PE050035	3
PB020041	3	PE050057	3
PB020050	3	PE060007	2
PB020061	3	PE060008	2
PB020162	1	PE060018	2



PE060020	2
PE070128	5
PE070460	3
PE070713	3
PM010027	4