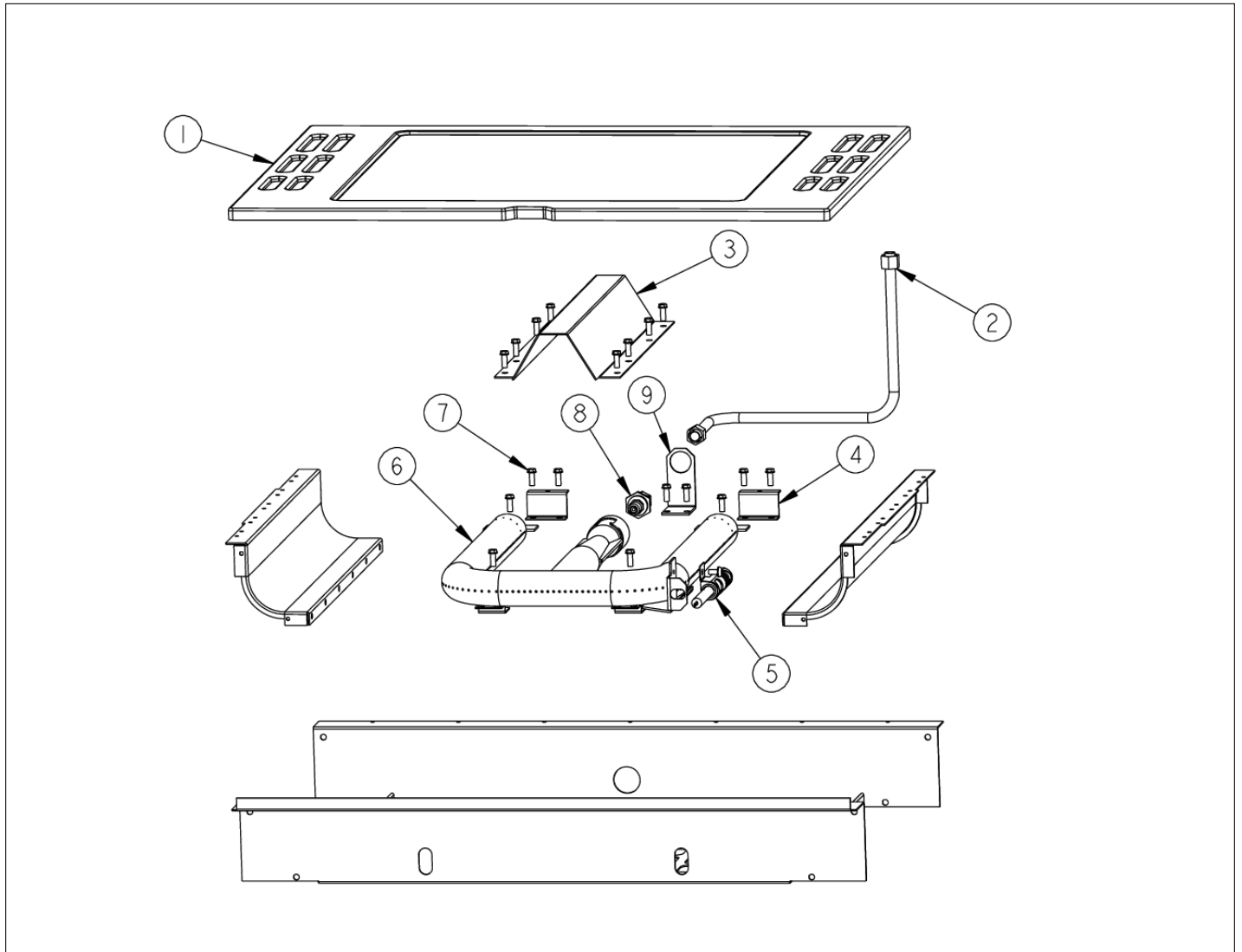


VGIC306

BAKE BURNER AREA	1
BOTTOM UNIT AREA	2
BROILER AREA	3
BURNER BOX INTERIOR	4
CONTROL AREA	5
DOOR ASSEMBLY	6
DRIP TRAY	7
IGNITER WIRES	8
MAIN OVEN CAVITY	9
PE070889	10
REAR ELECTRONICS AND GAS FLOW	11
REAR SHEET METAL	12
SIMPLE HARNESSSES	13
SINGLE WIRING	14
SURFACE COOKING AREA	15
WIRING DIAGRAM	16
Appendix A:Pages Index	A
Appendix B:Parts Index	B

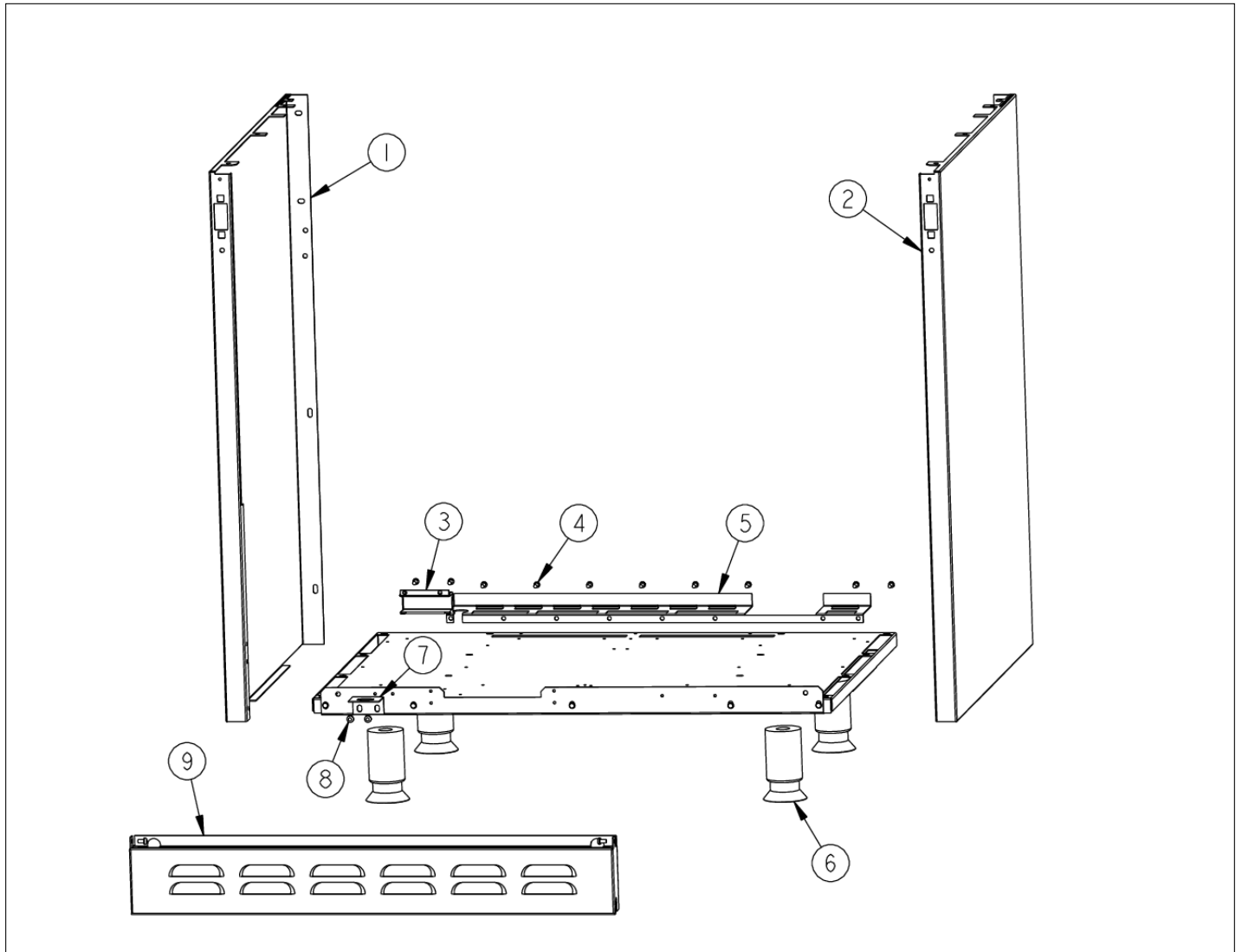
BAKE BURNER AREA



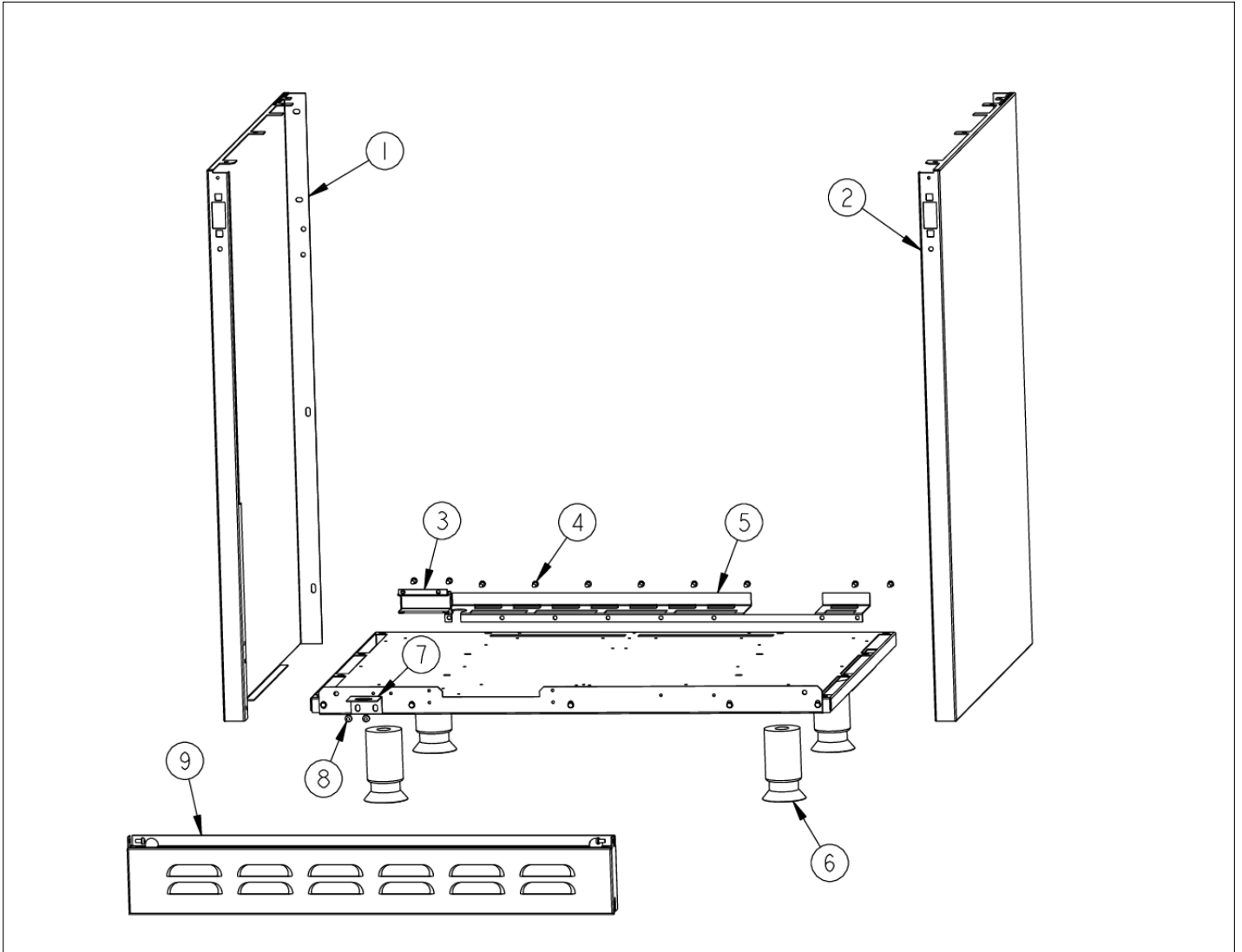


Item	Part No.	Name	Qty	Uom	NOTES
1	068456-000	ASM, BOTTOM, CAVITY, OVEN, GAS, 30", GRAY		EA	
Not Shown	NOTE	(INCLUDES HEAT SHIELD)		EA	
2	000919-000	3/8" ALUM TUBING		EA	
3	A2004424	BURNER COVER (VGSC306)		EA	
4	B2004415	BURNER BRACKET (VGSC306)		EA	
5	PB040170	BAKE IGNITION ELECTRODE		EA	
6	006197-000	U-SHAPE BAKE BURNER 8"		EA	
7	PD020060	10 X 1/2" (5/16)HEX WSHR HD.(T)A		EA	
8	PB040172	3/8 X 3/8 ORIFICE FITTING (NAT)		EA	
9	A2004434	ORIFICE BRACKET (VGSC306)		EA	Not available online / Call for pricing and availability

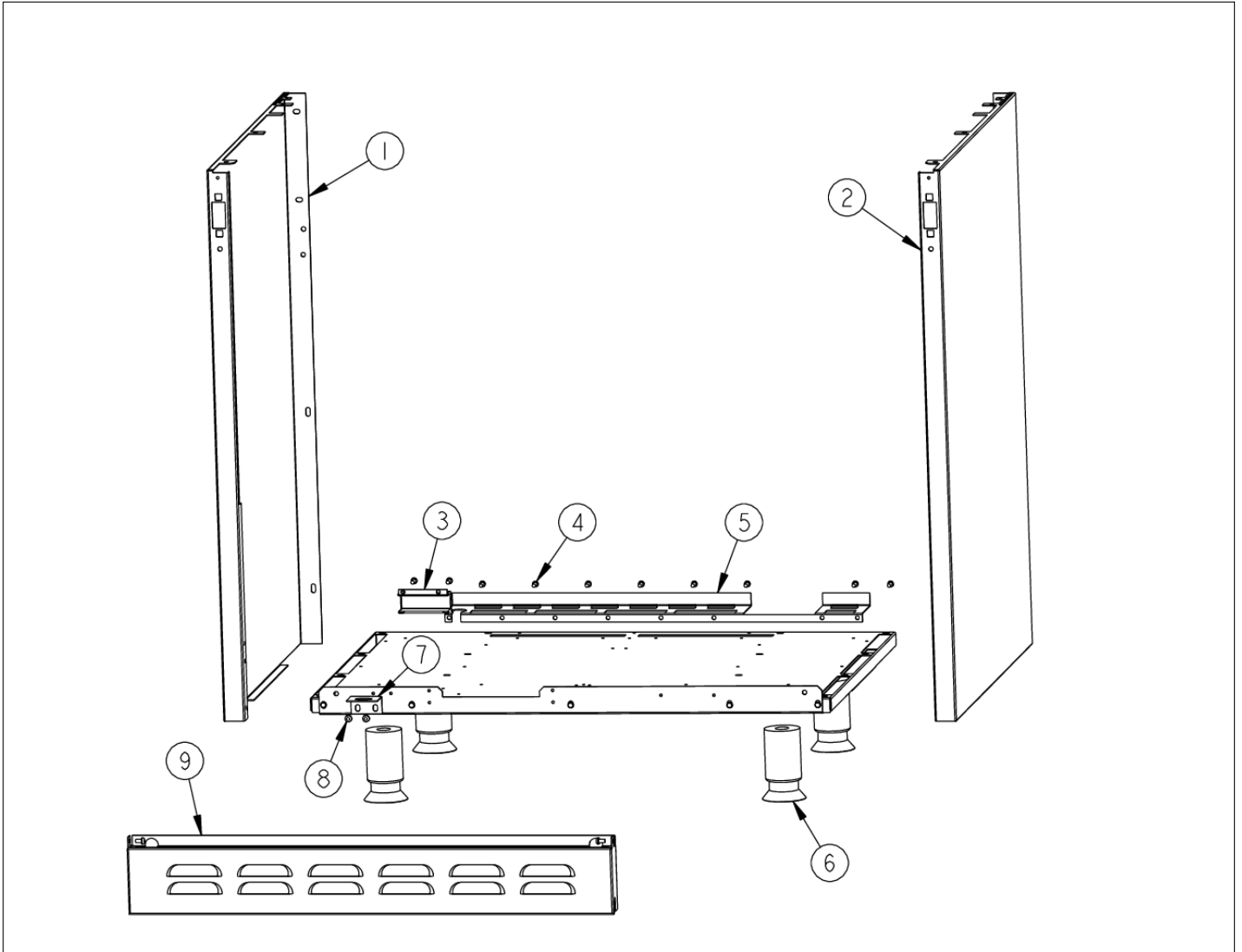
BOTTOM UNIT AREA



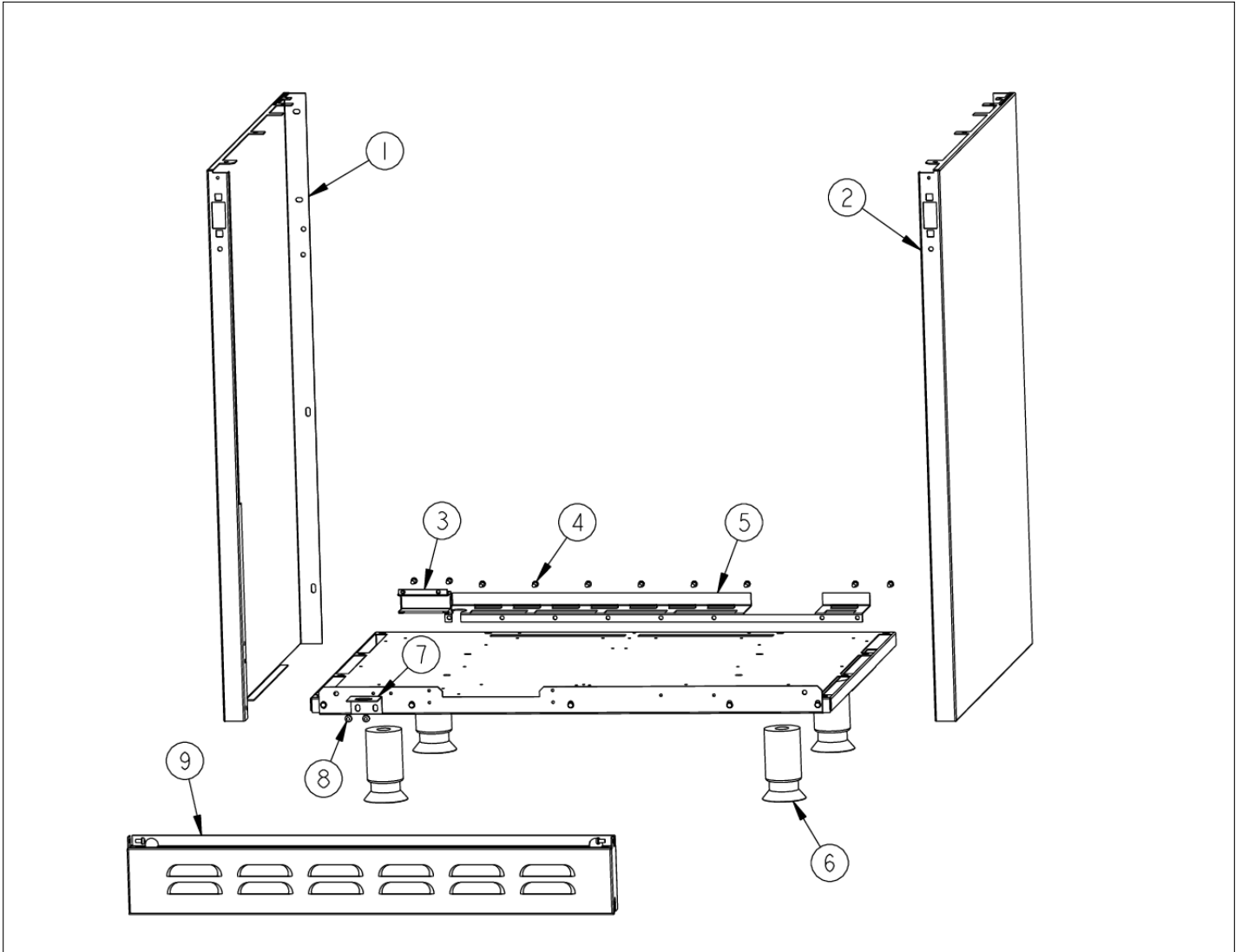
Item	Part No.	Name	Qty	Uom	NOTES
1	B20010180	O/S BODY PANEL - LH	1	EA	
1	C90010180AL	SIDE PANEL LH *AL*	1	EA	NO LONGER AVAILABLE, Not available online / Call for pricing and availability
1	C90010180BK	SIDE PANEL LH *BK*	1	EA	Not available online / Call for pricing and availability
1	C90010180BT	SIDE PANEL LH *BT*	1	EA	NO LONGER AVAILABLE, Not available online / Call for pricing and availability
1	C90010180BU	SIDE PANEL LH *BU*	1	EA	
1	C90010180CB	SIDE PANEL LH *CB*	1	EA	NO LONGER AVAILABLE
1	C90010180EP	SIDE PANEL LH *EP*	1	EA	NO LONGER AVAILABLE, Not available online / Call for pricing and availability
1	C90010180FG	SIDE PANEL LH *FG*	1	EA	NO LONGER AVAILABLE, Not available online / Call for pricing and availability
1	C90010180GG	SIDE PANEL LH *GG*	1	EA	NO LONGER AVAILABLE, Not available online / Call for pricing and availability
1	C90010180LE	SIDE PANEL LH *LE*	1	EA	NO LONGER AVAILABLE, Not available online / Call for pricing and availability
1	C90010180MJ	SIDE PANEL LH *MJ*	1	EA	
1	C90010180SG	SIDE PANEL LH *SG*	1	EA	NO LONGER AVAILABLE, Not available online / Call for pricing and availability
1	C90010180VB	SIDE PANEL LH *VB*	1	EA	NO LONGER AVAILABLE, Not available online / Call for pricing and availability
1	C90010180WH	SIDE PANEL LH *WH*	1	EA	
2	B20010179	O/S BODY PANEL - RH	1	EA	



Item	Part No.	Name	Qty	Uom	NOTES
2	C90010179AL	SIDE PANEL RH *AL*	1	EA	NO LONGER AVAILABLE, Not available online / Call for pricing and availability
2	C90010179BK	SIDE PANEL RH *BK*	1	EA	NO LONGER AVAILABLE
2	C90010179BT	SIDE PANEL RH *BT*	1	EA	NO LONGER AVAILABLE, Not available online / Call for pricing and availability
2	C90010179BU	SIDE PANEL RH *BU*	1	EA	Not available online / Call for pricing and availability
2	C90010179CB	SIDE PANEL RH *CB*	1	EA	NO LONGER AVAILABLE
2	C90010179EP	SIDE PANEL RH *EP*	1	EA	NO LONGER AVAILABLE, Not available online / Call for pricing and availability
2	C90010179FG	SIDE PANEL RH *FG*	1	EA	NO LONGER AVAILABLE, Not available online / Call for pricing and availability
2	C90010179GG	SIDE PANEL RH *GG*	1	EA	NO LONGER AVAILABLE, Not available online / Call for pricing and availability
2	C90010179LE	SIDE PANEL RH *LE*	1	EA	NO LONGER AVAILABLE, Not available online / Call for pricing and availability
2	C90010179MJ	SIDE PANEL RH *MJ*	1	EA	
2	C90010179SG	SIDE PANEL RH *SG*	1	EA	NO LONGER AVAILABLE, Not available online / Call for pricing and availability
2	C90010179VB	SIDE PANEL RH *VB*	1	EA	NO LONGER AVAILABLE, Not available online / Call for pricing and availability
2	C90010179WH	SIDE PANEL RH *WH*	1	EA	
3	A2004481	WIRE CHANNEL RH (VGSC306)	1	EA	NO LONGER AVAILABLE



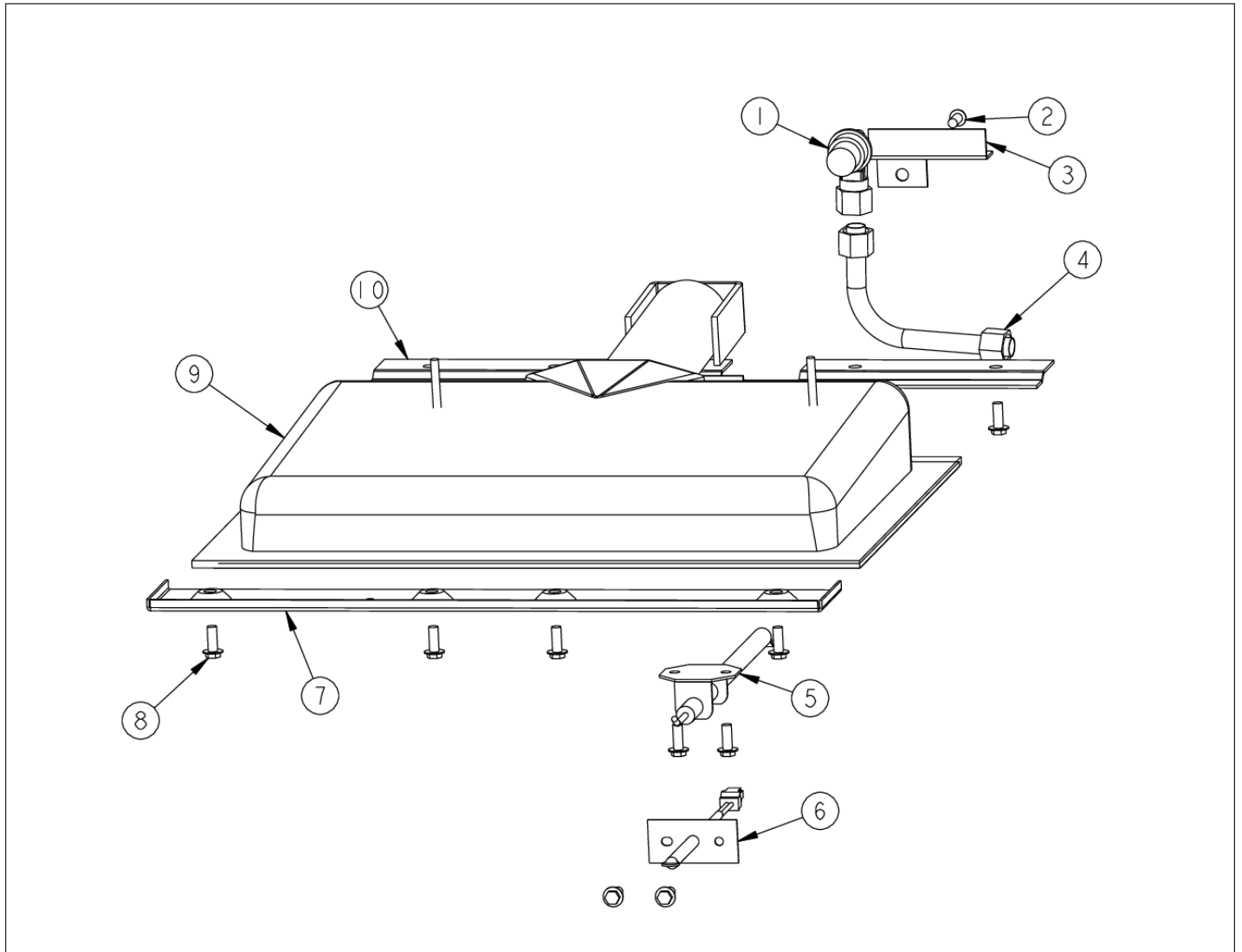
Item	Part No.	Name	Qty	Uom	NOTES
4	PD020060	10 X 1/2" (5/16)HEX WSHER HD.(T)A	1	EA	
5	A2004465	AIR CHANNEL (VGSC306)	1	EA	NO LONGER AVAILABLE, Not available online / Call for pricing and availability
6	PC030017	4" LEG ASSY	1	EA	
7	A20012922	DISCONNECT POWER BRACKET	1	EA	NO LONGER AVAILABLE, Not available online / Call for pricing and availability
8	PD020004	10X3/8PH.HD.TYPE 25 REPL PD040125	1	EA	
9	B2001815	LOWER ACC PAN - (VGRC605)	1	EA	
9	C9001815AL	LOWER ACC PAN - *AL* (VGRC605)	1	EA	Not available online / Call for pricing and availability
9	C9001815BK	LOWER ACC PAN - *BK* (VGRC605)	1	EA	
9	C9001815BT	LOWER ACC PAN - *BT* (VGRC605)	1	EA	NO LONGER AVAILABLE
9	C9001815BU	LOWER ACC PAN - *BU* (VGRC605)	1	EA	Not available online / Call for pricing and availability
9	C9001815CB	LOWER ACC PAN - *CB* (VGRC605)	1	EA	Not available online / Call for pricing and availability
9	C9001815EP	LOWER ACC PAN - *EP* (VGRC605)	1	EA	NO LONGER AVAILABLE, Not available online / Call for pricing and availability
9	C9001815FG	LOWER ACC PAN - *FG* (VGRC605)	1	EA	NO LONGER AVAILABLE, Not available online / Call for pricing and availability
9	C9001815GG	LOWER ACC PAN - *GG* (VGRC605)	1	EA	NO LONGER AVAILABLE
9	C9001815LE	LOWER ACC PAN - *LE* (VGRC605)	1	EA	NO LONGER AVAILABLE





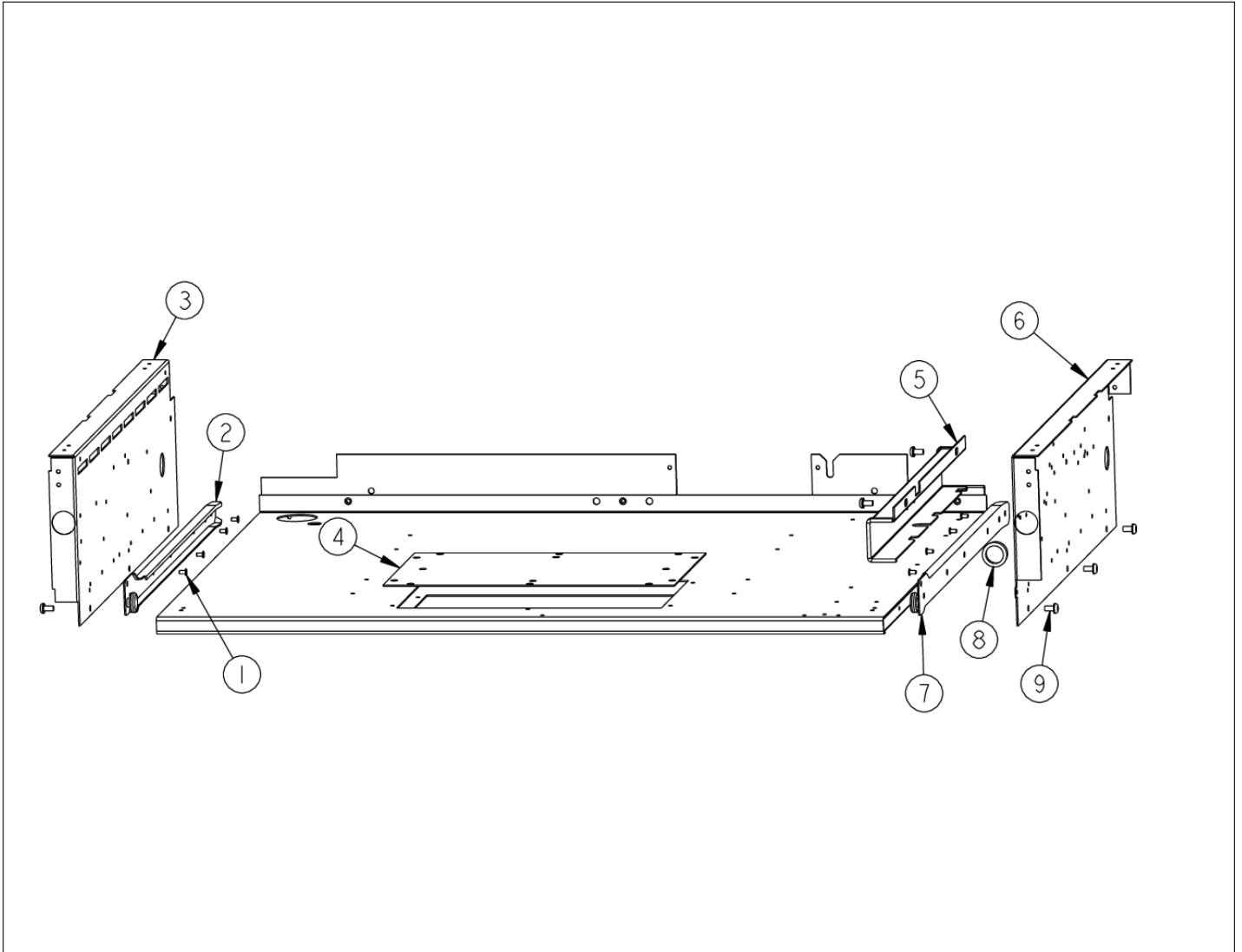
Item	Part No.	Name	Qty	Uom	NOTES
9	C9001815MJ	LOWER ACC PAN - *MJ* (VGRC605)	1	EA	NO LONGER AVAILABLE, Not available online / Call for pricing and availability
9	C9001815SG	LOWER ACC PAN - *SG* (VGRC605)	1	EA	
9	C9001815VB	LOWER ACC PAN - *VB* (VGRC605)	1	EA	NO LONGER AVAILABLE
9	C9001815WH	LOWER ACC PAN - *WH* (VGRC605)	1	EA	

BROILER AREA



Item	Part No.	Name	Qty	Uom	NOTES
1	PB040178	90 DEGREE ORIFICE FITTING (VGSC306)	1	EA	
2	PD020060	10 X 1/2" (5/16)HEX WSHR HD.(T)A	1	EA	
3	001348-000	BROIL INSULATION RETAINER	1	EA	NO LONGER AVAILABLE
4	000921-000	3/8" ALUM TUBING ELBOW	1	EA	
5	PB040171	BROIL IGNITION ELECTRODE	1	EA	
6	PE050206	RTD THERMOSTAT PROBE	1	EA	
7	020409-000	BRACKET, SPRT, FR, I/R BROILER	1	EA	
8	PD020048	NO.10 X 1/2 TEK 410 SS SCREW	1	EA	
9	G3001876	IR BURNER ASSY (VGSC/RC) N/S	1	EA	
10	B2005589	REAR BROILER BRACKET	1	EA	Not available online / Call for pricing and availability

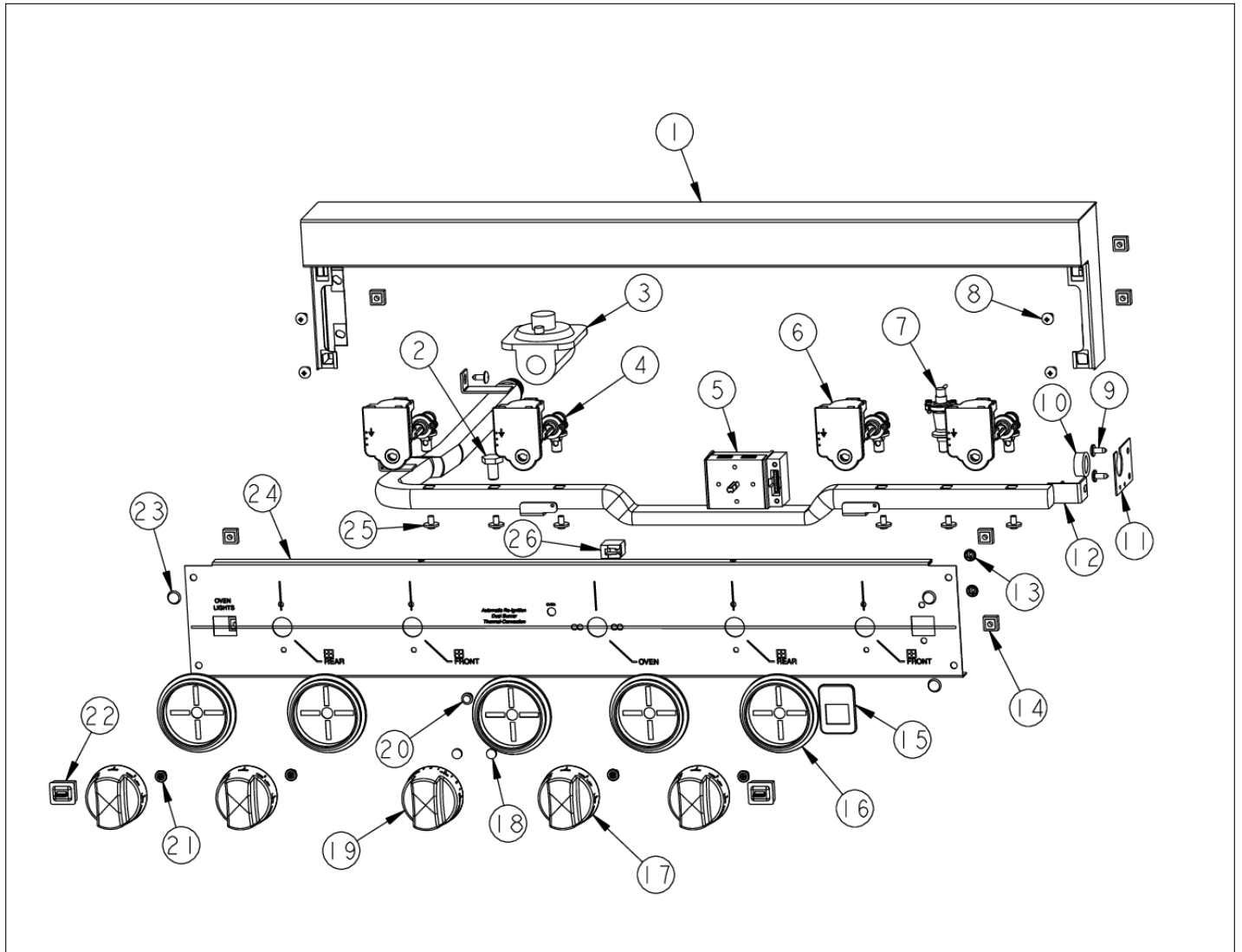
BURNER BOX INTERIOR



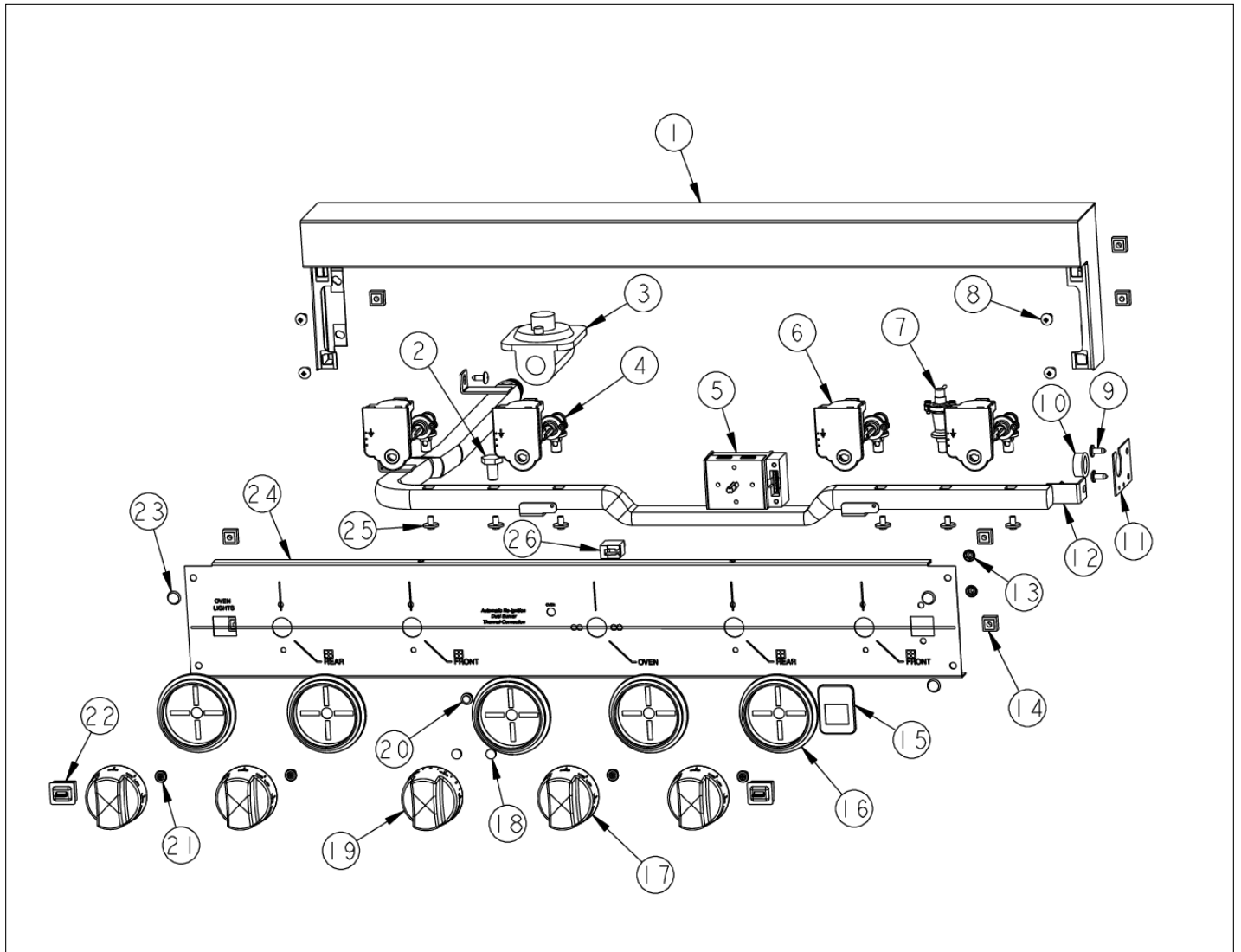


Item	Part No.	Name	Qty	Uom	NOTES
1	PC040010	POP RIVET (.063/GR -.125) GAMD42-A	1	EA	
2	PK000007	DRIP TRAY GUIDE - LH (VGRT)	1	EA	NO LONGER AVAILABLE
3	A2002491	BURNER BOX SIDE LH (VDSC)	1	EA	NO LONGER AVAILABLE, Not available online / Call for pricing and availability
4	A1006344	DOOR LOCK ACCESS PANEL 48"	1	EA	NO LONGER AVAILABLE
5	A2000210	WIRE CHANNEL	1	EA	NO LONGER AVAILABLE, Not available online / Call for pricing and availability
6	A2002490	BURNER BOX SIDE RH (VDSC)	1	EA	NO LONGER AVAILABLE
7	PK000008	Drip Tray Guide - RH	1	EA	NO LONGER AVAILABLE
8	PD040005	SNAP BUSHING - 7/8"	1	EA	
9	PD020004	10X3/8PH.HD.TYPE 25 REPL PD040125	1	EA	

CONTROL AREA



Item	Part No.	Name	Qty	Uom	NOTES
1	G3001406	LANDING LEDGE ASSY - NLA	1	EA	
2	PA010012	ROPER PLUG	1	EA	
3	PA070003	PRESSURE REGULATOR	1	EA	
4	003515-000	PA010157 VALVE AND BOLT KIT	1	EA	
5	013213-000	TSTAT, SMPS, ELEC, 2-POS, .91" SHAFT, CB	1	EA	
6	PA020058	IRIS SINGLE SPARK MODULE	1	EA	
7	007147-000	SHUTOFF VALVE ASSY	1	EA	
8	PD010003	10-24 X 1/2 PH.TR.HD.SERD.M.S.	1	EA	
9	PD020002	10 X 1/2 PH.TR.HD.SMS.	1	EA	
10	PD040005	SNAP BUSHING - 7/8"	1	EA	
11	A1001138	MANIFOLD BRKT	1	EA	NO LONGER AVAILABLE, Not available online / Call for pricing and availability
12	002156-000	30" UNIVERSAL MANIFOLD	1	EA	
13	PD030006	CAPPED WASHER PAL NUT	1	EA	
14	PD030005	SELF RETAINING NUT	1	EA	
15	PE010081	CONVECTION-LABEL/PLATE (CHROME)	1	EA	
15	PE010082	CONVECTION-LABEL/PLATE (*BR*)	1	EA	
16	050172-000	BEZEL, KNOB	1	EA	
16	PB010209	Bezel - BR	1	EA	
17	PB010206	TOP BURNER KNOB BK	1	EA	
17	PB010207	TOP BURNER KNOB WH	1	EA	Not available online / Call for pricing and availability
18	PD020044	#8-32 X 1/4" PH. TR. HD. M.S.	1	EA	
19	000447-000	THERMOSTAT KNOB SELF-CLEAN (BK)	1	EA	
19	000447-006	OVEN KNOB WITH BROIL(WH)	1	EA	
20	PE050023	OVEN IND. LIGHT (LENS & BEZEL)	1	EA	
21	PD020046	' #8 X 1/2 SCREWS	1	EA	





Item	Part No.	Name	Qty	Uom	NOTES
22	PE050016	OVEN LIGHT SWITCH - *BK* (WES-GAR)	1	EA	
22	PE050017	OVEN LIGHT SWITCH - *WH* (WES-GAR)	1	EA	
23	PD020033	SRW-#10-24X1/2"T(23)PH.WFR HD (NKL)	1	EA	
24	B9202840	CTRL PAN VGSC305-4B REPL B9201791	1	EA	
25	PD010012	1/4 x 3/8 VALVE BOLT	1	EA	
26	PE050024	OVEN IND. LIGHT (LIGHT HOUSING)	1	EA	

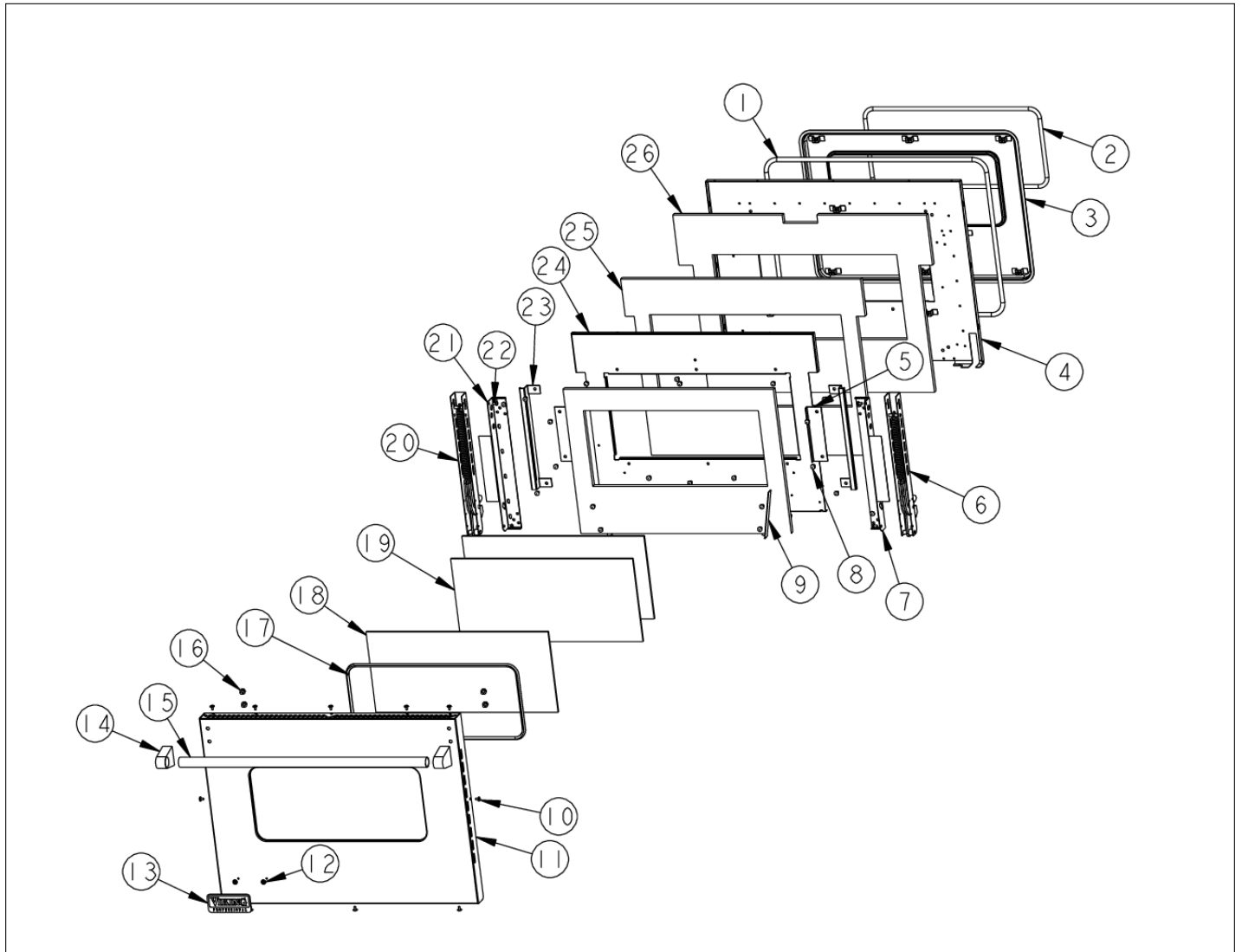
Comments for Part Num. PE050024

haarnink@vikingrange.com on Jan 14, 2019

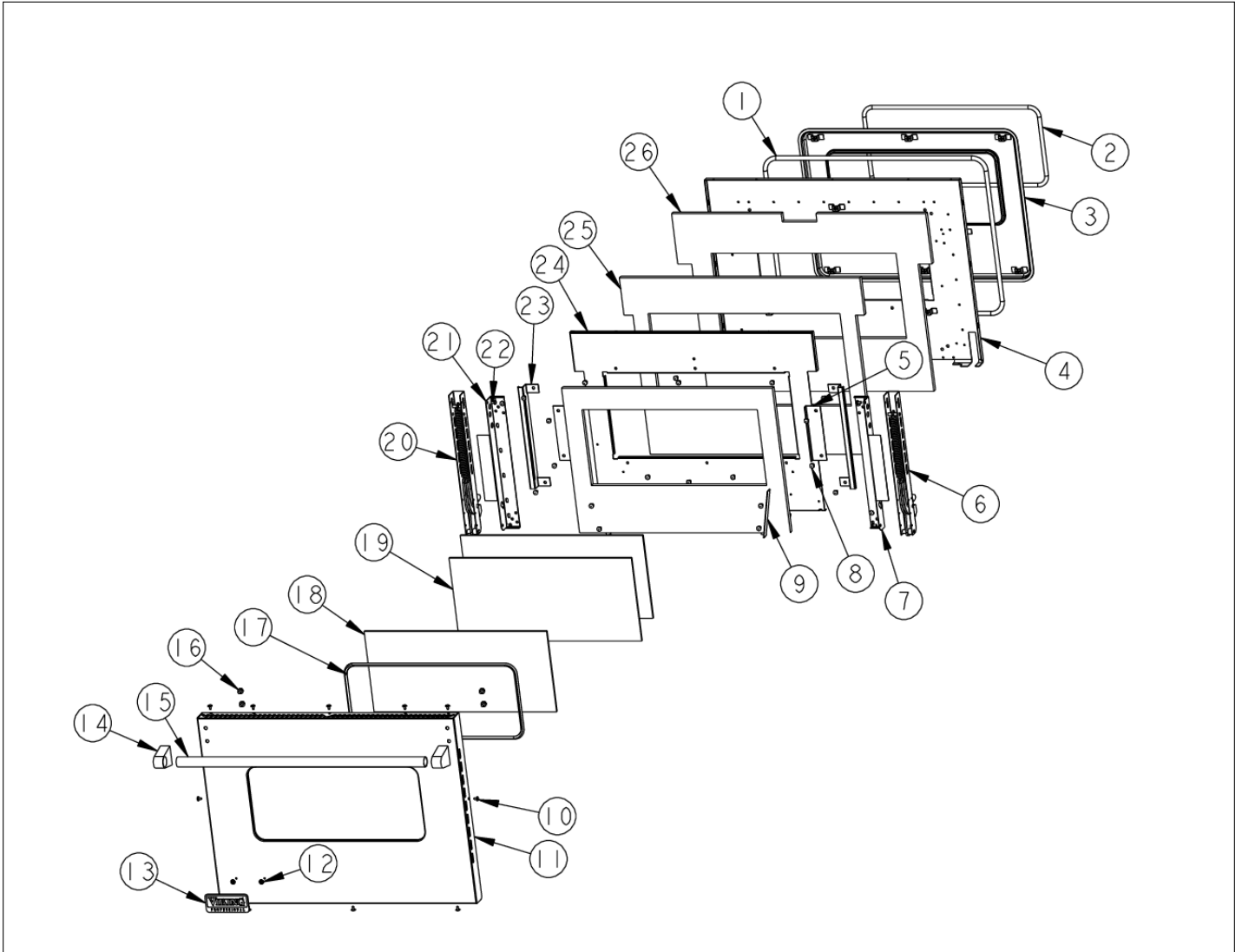
please note that the indicator light is now part 043135-000 but needs the Jumper harness 051443-000. and second option there are units in the field with a 230V indicator light part number 036566-000.

please check this for all "E" module ranges/Tops

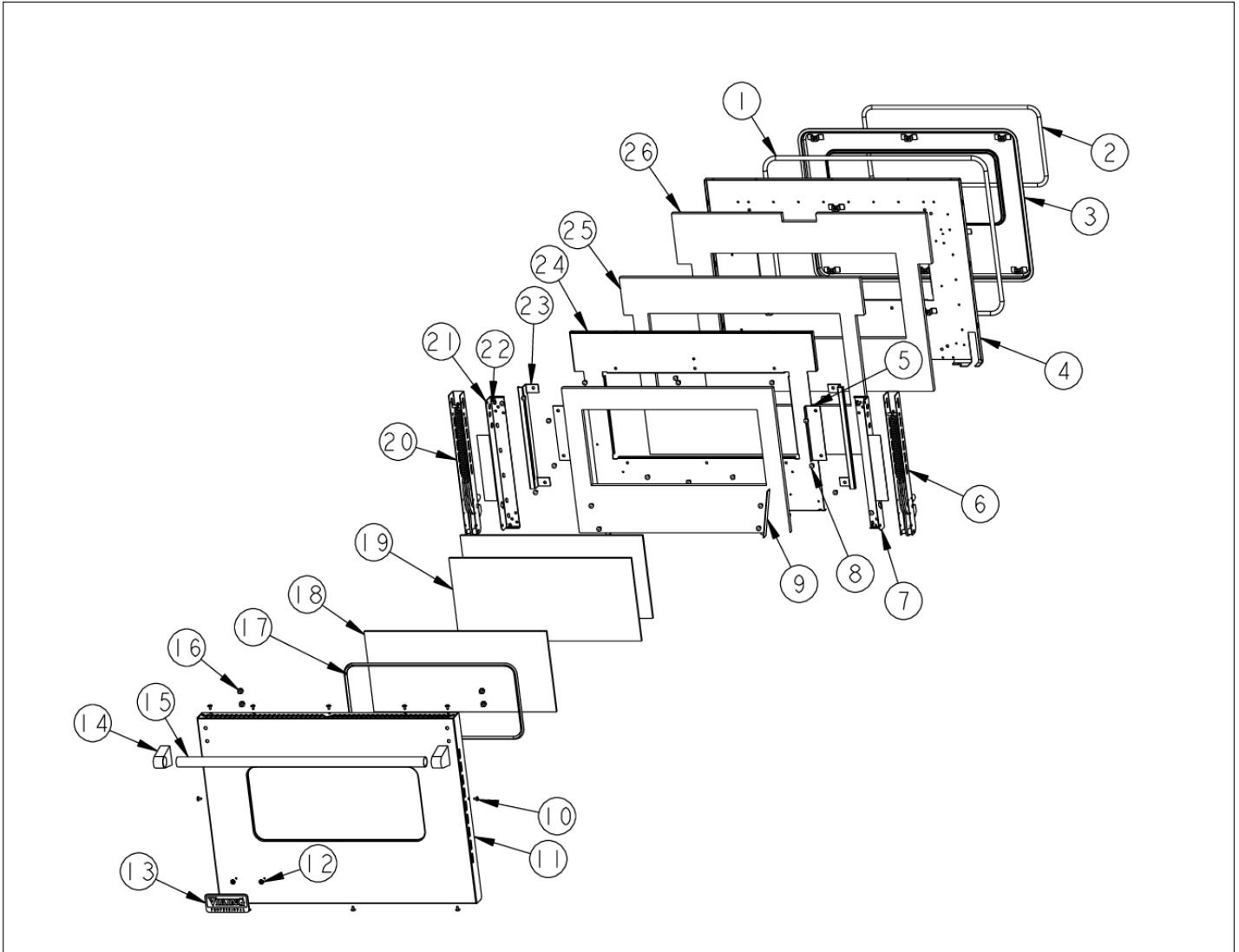
DOOR ASSEMBLY



Item	Part No.	Name	Qty	Uom	NOTES
1	000042-000	30" DOOR GASKET	1	EA	
2	000594-000	BLACK FIBERGLASS ROPE 3/8	1	EA	
3	001142-000	PLUG, DOOR, ASM, PROCELAIN	1	EA	
Comments for Part Num. 001142-000 bradleysapplianceservice@shaw.ca on Nov 2, 2015 001142-000 PLUG, DOOR, ASM, PORCELAIN (GREY WITH WHITE SPECS) OLD STYLE 001142-402 PLUG, DOOR, ASM, PORCELAIN BK (BLACK LINER) NEW STYLE					
4	001141-000	LINER, DOOR, ASM, PORCELAIN	1	EA	Not available online / Call for pricing and availability
5	A2002189	DOOR GLASS STANDOFF (VDSC)	1	EA	
6	PC020188	DOOR HINGE	1	EA	
7	000075-000	DOOR HINGE BRACKET	1	EA	Not available online / Call for pricing and availability
8	PD020002	10 X 1/2 PH.TR.HD.SMS.	1	EA	
9	A2002497	DOOR GUIDE ANGLE VDSC	1	EA	
10	PD020032	SRW-8(A)X3/8"PH.WFR HD 7/16DIA*NICL	1	EA	
11	B2002188	O/S DOOR PANEL *SS* (VDSC30)	1	EA	
11	C9002188AL	O/S DOOR PANEL-*AL* (VDSC30)	1	EA	NO LONGER AVAILABLE, Not available online / Call for pricing and availability
11	C9002188BK	O/S DOOR PANEL-*BK* (VDSC30)	1	EA	
11	C9002188BT	O/S DOOR PANEL-*BT* (VDSC30)	1	EA	NO LONGER AVAILABLE, Not available online / Call for pricing and availability
11	C9002188BU	O/S DOOR PANEL-*BU* (VDSC30)	1	EA	Not available online / Call for pricing and availability
11	C9002188CB	O/S DOOR PANEL-*CB* (VDSC30)	1	EA	NO LONGER AVAILABLE

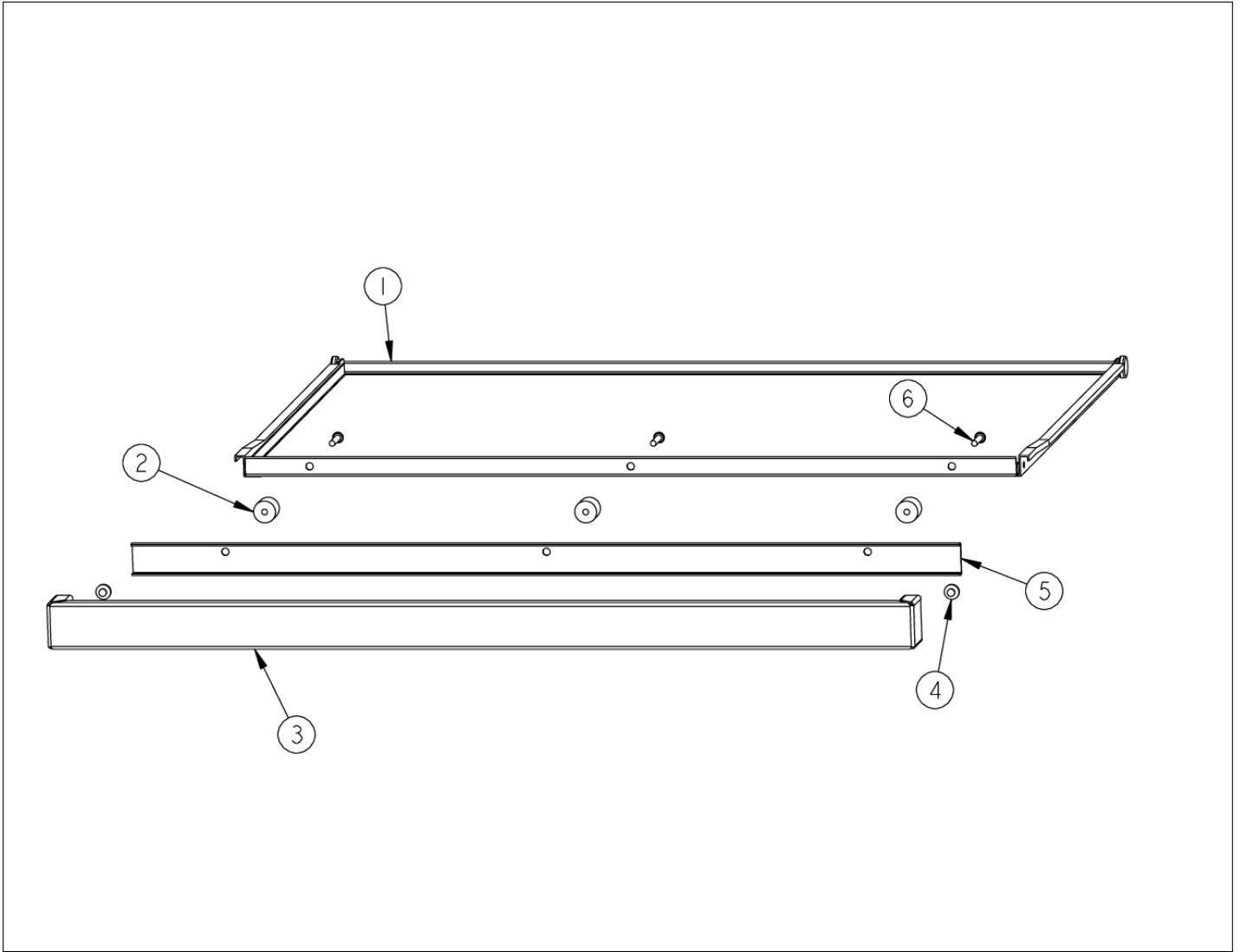


Item	Part No.	Name	Qty	Uom	NOTES
11	C9002188EP	O/S DOOR PANEL-*EP* (VDSC30)	1	EA	NO LONGER AVAILABLE, Not available online / Call for pricing and availability
11	C9002188FG	O/S DOOR PANEL-*FG* (VDSC30)	1	EA	NO LONGER AVAILABLE, Not available online / Call for pricing and availability
11	C9002188GG	O/S DOOR PANEL-*GG* (VDSC30)	1	EA	
11	C9002188LE	O/S DOOR PANEL-*LE* (VDSC30)	1	EA	NO LONGER AVAILABLE, Not available online / Call for pricing and availability
11	C9002188MJ	O/S DOOR PANEL-*MJ* (VDSC30)	1	EA	NO LONGER AVAILABLE, Not available online / Call for pricing and availability
11	C9002188SG	O/S DOOR PANEL-*SG* (VDSC30)	1	EA	NO LONGER AVAILABLE, Not available online / Call for pricing and availability
11	C9002188VB	O/S DOOR PANEL-*VB* (VDSC30)	1	EA	NO LONGER AVAILABLE
11	C9002188WH	O/S DOOR PANEL-*WH* (VDSC30)	1	EA	
12	PD030006	CAPPED WASHER PAL NUT	1	EA	
13	PE010016	LOGO (ALL RANGES) *BK/CHR 307997W	1	EA	
13	PE010079	4.5" LOGO/VIKING PROF *BK/BR	1	EA	
13	PE010017	LOGO (VGSQ,VEDO,VGDO,VUD) *WH/CHR	1	EA	
13	PE010080	4.5" LOGO/VIKING PROF *WH/BR	1	EA	
14	000268-000	HANDLE ENDCAP	1	EA	
14	PE030001PVD	END CAP DOOR HANDLE *BR	1	EA	
15	PE030005	DOOR HANDLE - VGSC30/RC60/RC48RH	1	EA	
15	PE030012PVD	DOOR HANDLE - RH - (30"/48") PVD	1	EA	



Item	Part No.	Name	Qty	Uom	NOTES
16	PD010019	BLT-1/4-20X3/8"HEX WASHER SERATED	1	EA	
17	PE060031	J-MOLD (LARGE WINDOW)	1	EA	
17	PE060045	J-MOLD (LARGE WINDOW) *BR*	1	EA	
18	PE060030	OUTER DOOR GLASS	1	EA	
19	PE060039	GLASS-HEAT TREATED (HB2) VDSC	1	EA	
20	PC020223	DOOR HINGE (LONG SPRING) NSF	1	EA	
21	000932-000	DOOR HINGE BRACKET	1	EA	Not available online / Call for pricing and availability
22	PD020004	10X3/8PH.HD.TYPE 25 REPL PD040125	1	EA	
23	A2002367	DOOR GLASS BRKT	1	EA	
24	A20015315	DOOR INSULATION RETAINER	1	EA	NO LONGER AVAILABLE, Not available online / Call for pricing and availability
25	002559-000	30" DOOR INSULATION	1	EA	
26	PB070145	SUPERWOOL 5" X 24" X 3'	1	EA	

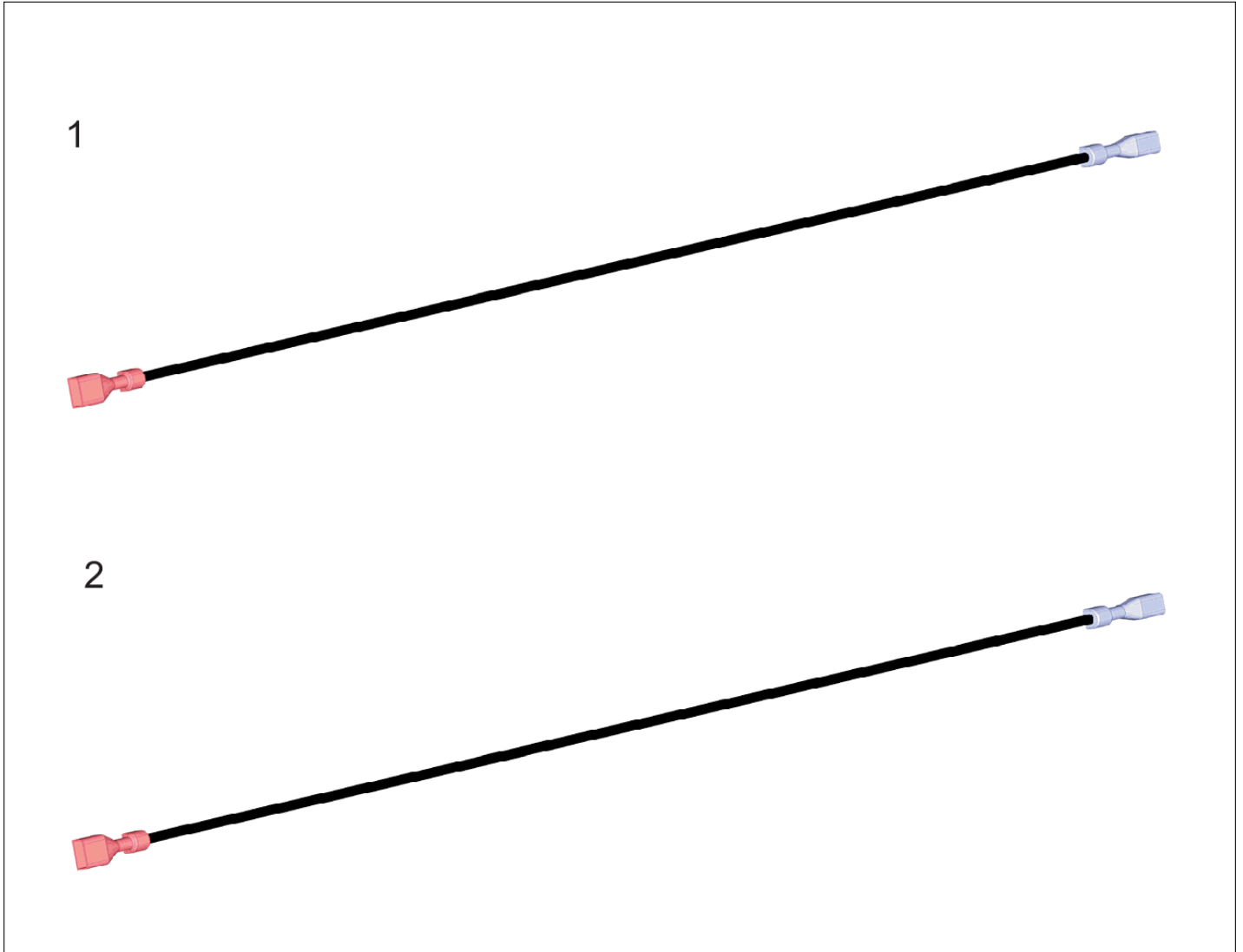
DRIP TRAY





Item	Part No.	Name	Qty	Uom	NOTES
1	G30010454	30" DRIP TRAY ASSY, NLA	1	EA	
2	PD040028	BUSHING(.194ID/.750OD/.750L ONG)	1	EA	
3	G30010695	DRIP TRAY HANDLE ASSY 30"	1	EA	
3	G93011458PVD	DRIP TRAY HANDLE ASSY 30" PVD	1	EA	Not available online / Call for pricing and availability
4	PD040004	GROMMET BUMPER	1	EA	
5	A20010691	DRIP TRAY HANDLE BACK 30"	1	EA	NO LONGER AVAILABLE
6	PD020079	#10 X 1 1/4 PH. PAN HD. T(A) NYLOK	1	EA	

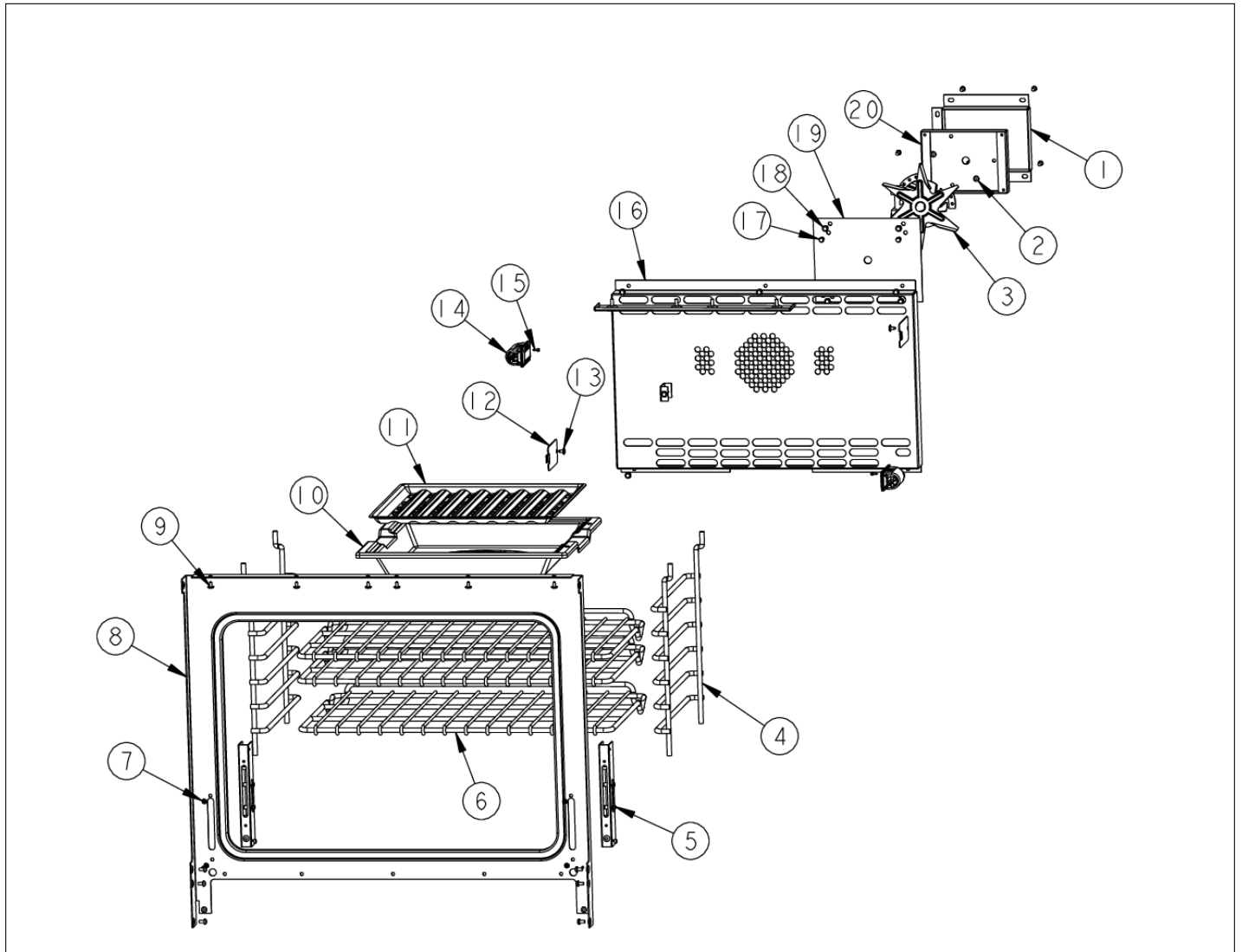
IGNITER WIRES





Item	Part No.	Name	Qty	Uom	NOTES
1	000647-000	IRIS IGNITOR WIRE, FRONT BURNER	1	EA	
2	006766-000	IRIS IGNITOR WIRE, BACK BURNER	1	EA	

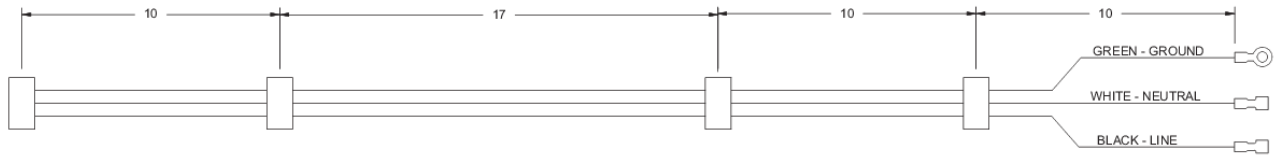
MAIN OVEN CAVITY





Item	Part No.	Name	Qty	Uom	NOTES
1	A2008467	INSULATION SHIELD	1	EA	
2	PD020004	10X3/8PH.HD.TYPE 25 REPL PD040125	1	EA	
3	PE050057	CONVECTION FAN (VGSC306)	1	EA	
4	PB060030	RACK SUPT REPL PB060010	1	EA	
5	PC020295	HINGE RECEIVER ASSEMBLY	1	EA	
6	PB060044	OVEN RK VDSC30/48RH REPL PB060019	1	EA	
7	PD020062	#8-32 X 3/8 PHMS TYPE 1	1	EA	
8	001311-000	FRONT FRAME 30" ASSY	1	EA	NO LONGER AVAILABLE
9	PD020032	SRW-8(A)X3/8"PH.WFR HD 7/16DIA*NICL	1	EA	
10	E9107933	BROILER PAN	1	EA	
11	E9107934	BROILER PAN INSERT - NLA	1	EA	
12	E91012614	LIGHT HOLE COVER	1	EA	
13	PD020063	SCREW-#8(A) X 3/8"PH WFR HD/BK OXID	1	EA	
14	005311-000	LAMP, OVEN, 120V/25W	1	EA	
15	PD020013	TYPE "AB" #6 X 3/8 PH PAN HD. SMS	1	EA	
16	G9104482	CONVECTION FAN COVER ASSY (VGSC306)	1	EA	
17	PD020060	10 X 1/2" (5/16)HEX WSHER HD.(T)A	1	EA	
18	PD020048	NO.10 X 1/2 TEK 410 SS SCREW	1	EA	
19	A1002596	CONVECTION FAN COVER (VDSC)	1	EA	
20	A2002595	CONVECTION FAN BOX (VDSC)	1	EA	

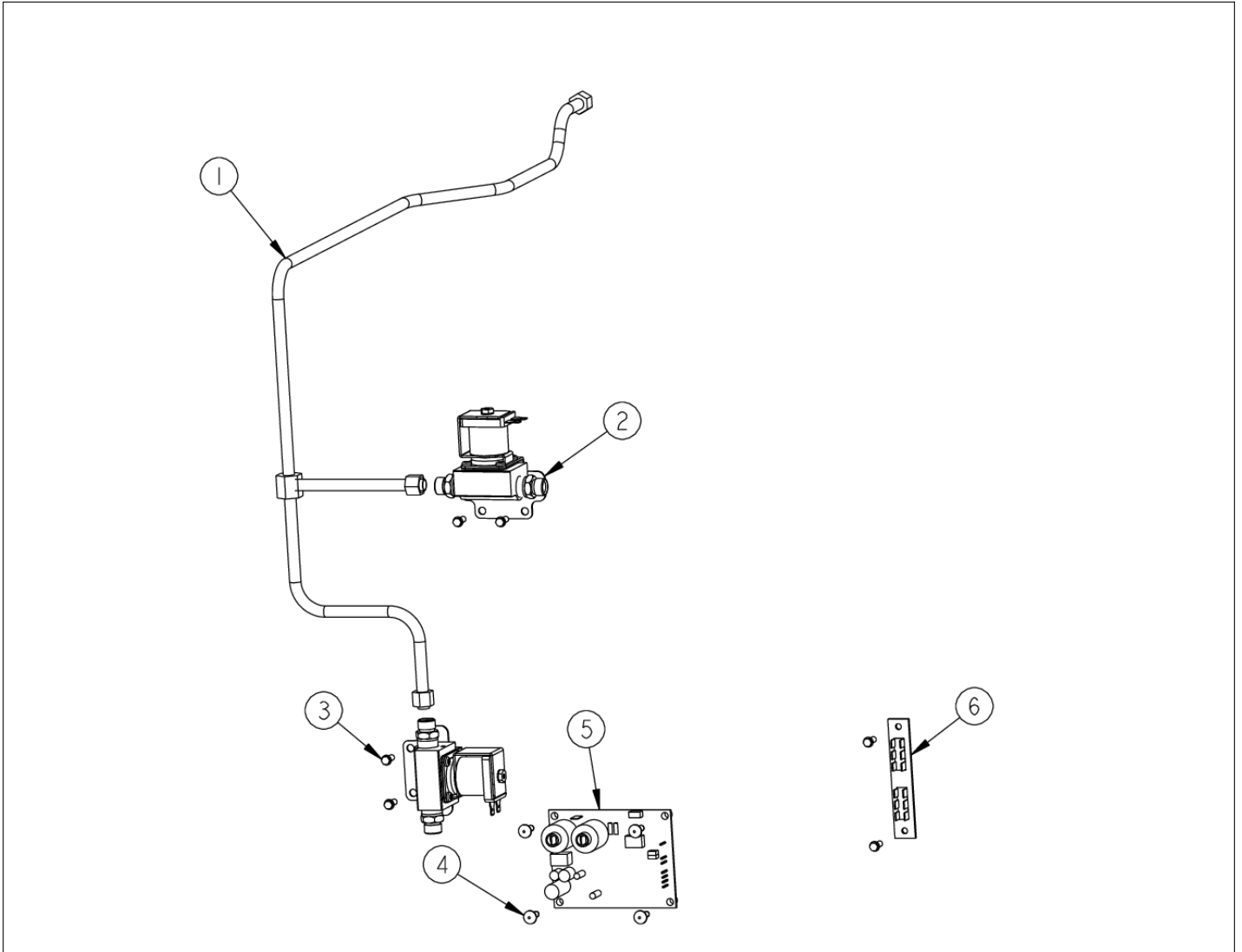
1





Item	Part No.	Name	Qty	Uom	NOTES
1	PE070889	IRIS HARNESS (24"/30")	1	EA	

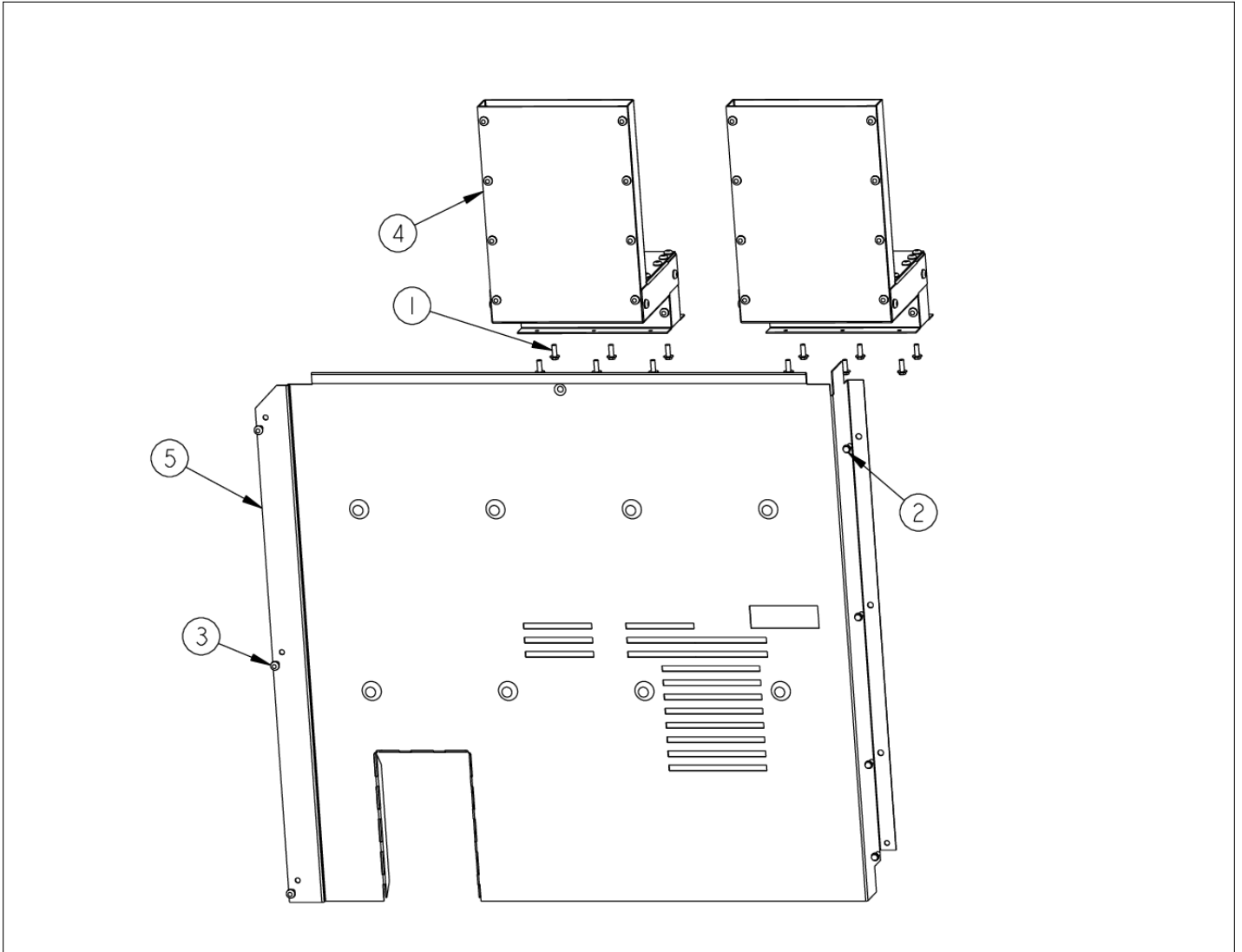
REAR ELECTRONICS AND GAS FLOW





Item	Part No.	Name	Qty	Uom	NOTES
1	001026-000	3/8" MANIFOLD TUBING	1	EA	
2	PA010139	F J T VALVE REPL PA010079	1	EA	
3	PD020060	10 X 1/2" (5/16)HEX WSHER HD.(T)A	1	EA	
4	PD020014	10X3/4 PH TR HD SMS	1	EA	
5	PA020056	NLA - See TC-0063D-SP for kit number (see comments)	1	EA	
6	PE050001	TERMINAL BOARD	1	EA	

REAR SHEET METAL





Item	Part No.	Name	Qty	Uom	NOTES
1	PD020048	NO.10 X 1/2 TEK 410 SS SCREW	1	EA	
2	PD020060	10 X 1/2" (5/16)HEX WSHER HD.(T)A	1	EA	
3	PD020004	10X3/8PH.HD.TYPE 25 REPL PD040125	1	EA	
4	000967-000	FLUE ASSY	1	EA	
5	A2004457	OVEN O/S BACK (VGSC306)	1	EA	

SIMPLE HARNESSSES

Uncontrolled Copy of Document: 001502-000 Rev: 2.0

PROTOTYPE

PROTOTYPE



Uncontrolled Copy of Document: 001502-000 Rev: 2.0

PROTOTYPE

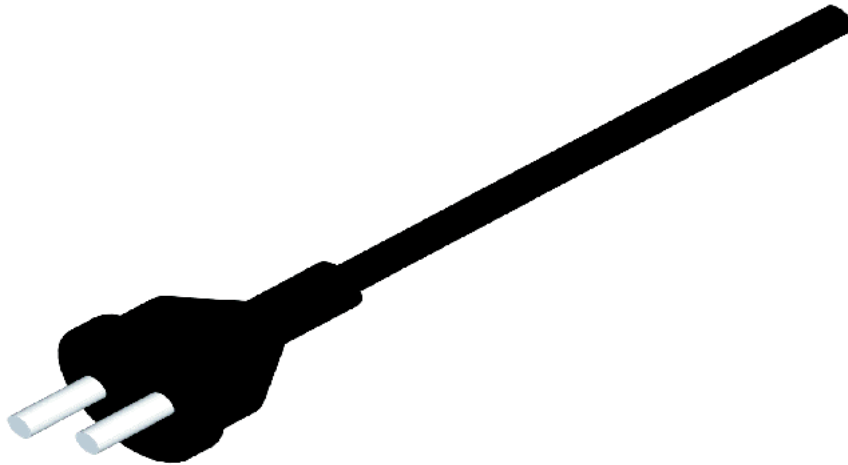
Accessed On: 06/07/2007 15:47:02 Accessed By: Stan Dorroh



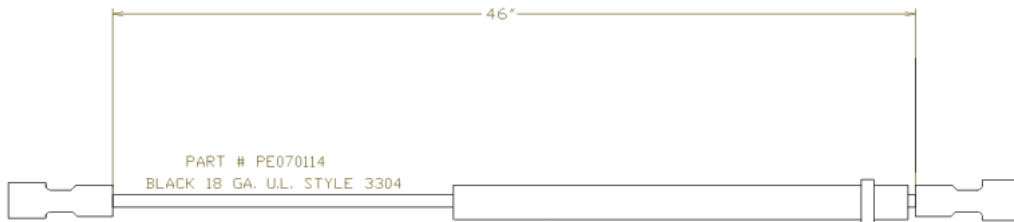
Item	Part No.	Name	Qty	Uom	NOTES
1	001502-000	VGIC308 WIRE HARNESS	1	EA	
2	001754-000	HARNESS POWER DISCONNECT	1	EA	

SINGLE WIRING

1



2



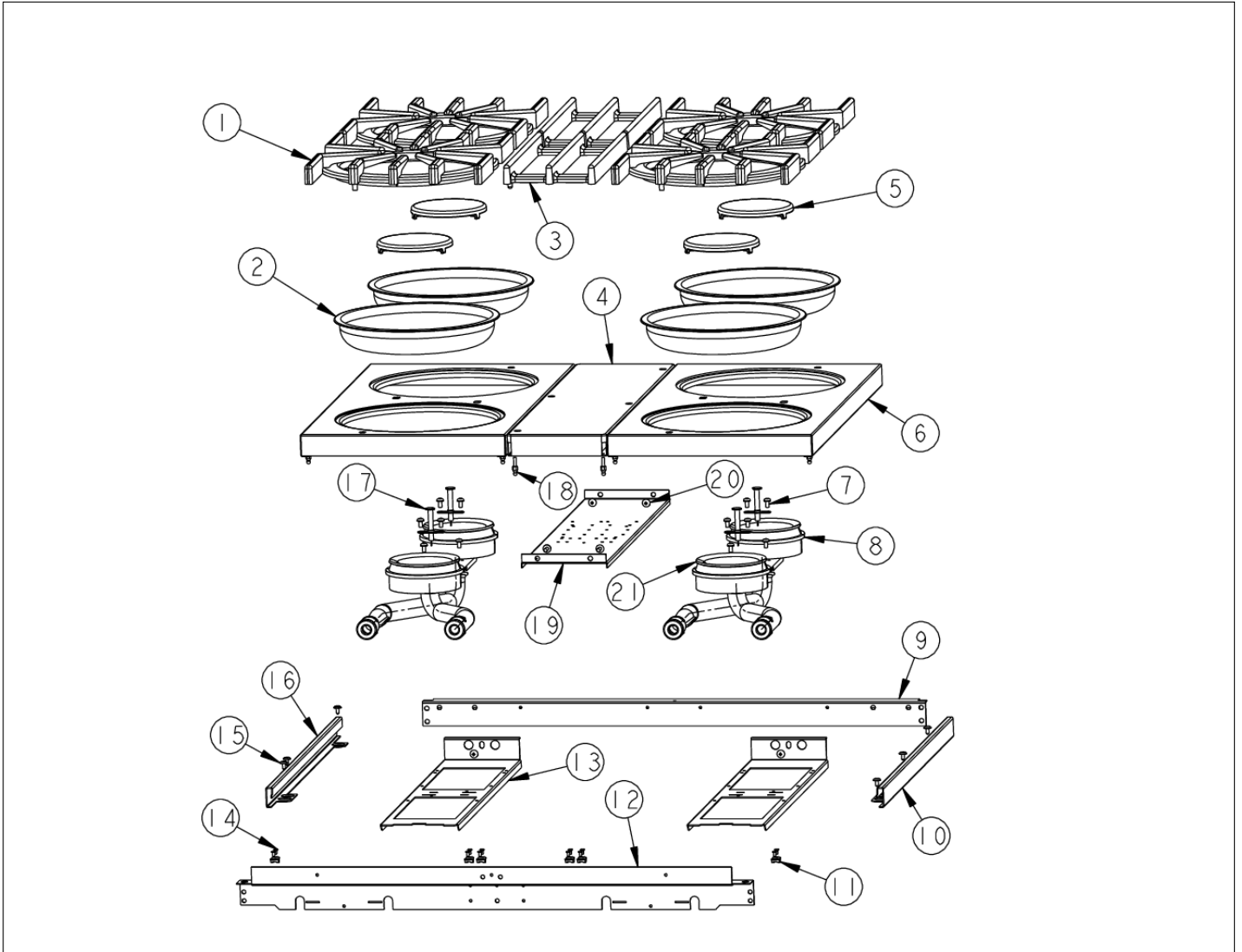
3



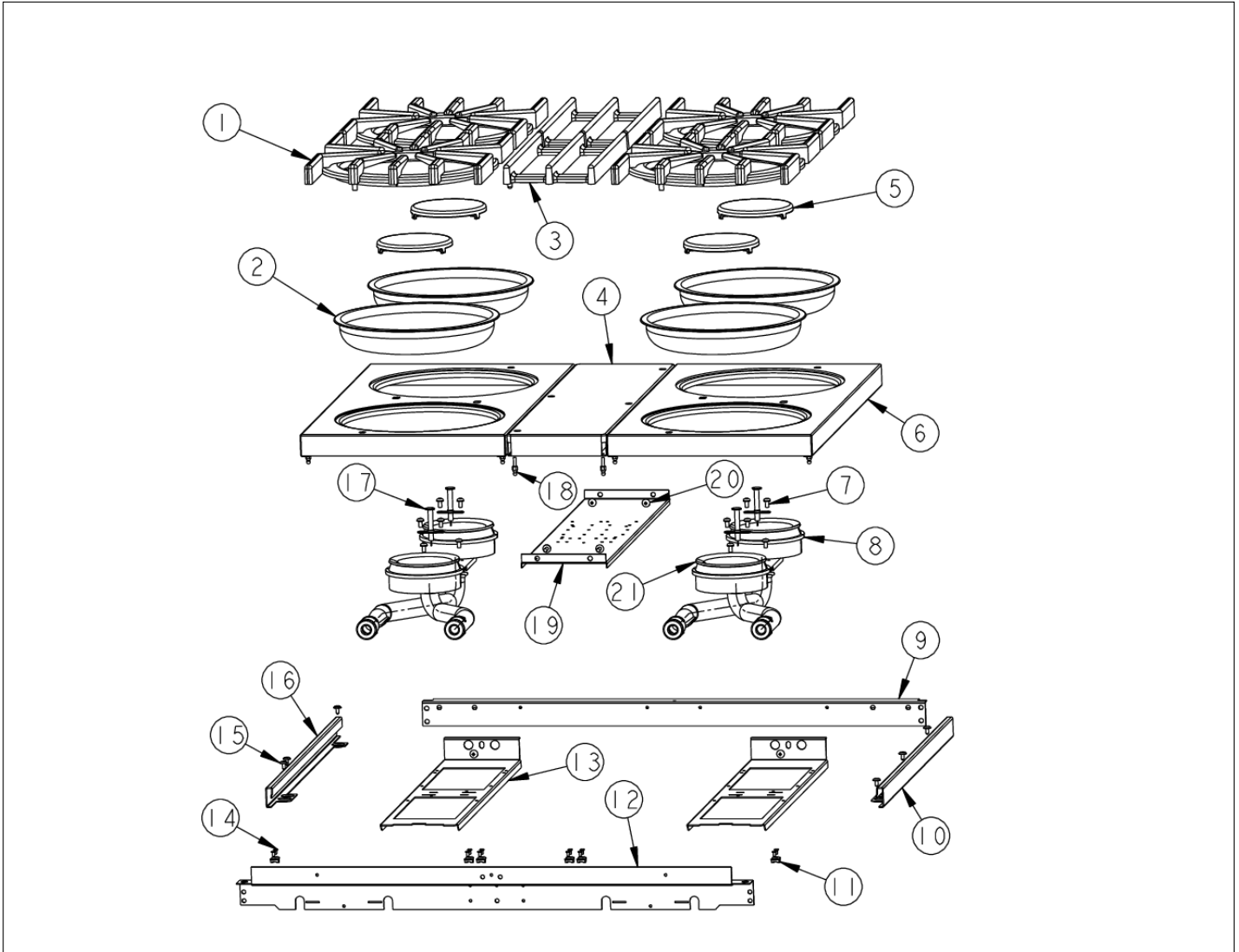


Item	Part No.	Name	Qty	Uom	NOTES
1	G4008493	SUPPLY CORD ASSY- VGSU	1	EA	
2	001911-000	WIRE, ASSY, BAKE IGNITOR	1	EA	
3	001914-000	WIRE, ASSY, BROIL IGNITOR	1	EA	

SURFACE COOKING AREA



Item	Part No.	Name	Qty	Uom	NOTES
1	PA060037	GRATE BK REPL PA060024 (GEN.#2)	1	EA	
2	PA030002BK	BURNER BOWL (VGRT) **BK**	1	EA	
2	PA030002WH	BURNER BOWL (VGRT) **WH**	1	EA	
3	PA060049	CENTER GRATE - MATT BK	1	EA	
4	E9104416BK	CENTER SPACER (VGSC306) *BK*	1	EA	
4	E9104416WH	CENTER SPACER (VGSC306) *WH*	1	EA	
5	PA080015	BURNER CAP-VGRT *BK*	1	EA	
6	G50013584BK	GRATE SUPPORT SERVICE KIT (BK)	1	EA	
6	G50013584WH	GRATE SUPPORT SERVICE KIT (WH)	1	EA	
7	PD020004	10X3/8PH.HD.TYPE 25 REPL PD040125	1	EA	
8	PA080036	TOP BURNER REAR REPL PA080008	1	EA	
9	A2004456	REAR BURNER SUPT. (VGSC306)	1	EA	NO LONGER AVAILABLE
10	B2002345	SIDE TRIM - RH (VGSS)	1	EA	
10	C9302345BR	SIDE TRIM - RH (VGSS) *BR*	1	EA	
11	PD010016	BALL STUD FASTEN	1	EA	
12	001530-000	FRONT BURNER SUPPORT	1	EA	NO LONGER AVAILABLE, Not available online / Call for pricing and availability
13	A2001112	BURNER SUPT (VGRT)	1	EA	
14	PC040010	POP RIVET (.063/GR -.125) GAMD42-A	1	EA	
15	PD020032	SRW-8(A)X3/8"PH.WFR HD 7/16DIA*NICL	1	EA	
16	B2002346	SIDE TRIM - LH (VGSS)	1	EA	
16	C9302346BR	SIDE TRIM - LH (VGSS) *BR*	1	EA	Not available online / Call for pricing and availability
17	PA020028	SPARK IGNITER	1	EA	
18	PD010017	BALL STUD (VGRT)	1	EA	





Item	Part No.	Name	Qty	Uom	NOTES
19	003107-000	CENTER SUPPORT	1	EA	NO LONGER AVAILABLE, Not available online / Call for pricing and availability
20	PD010003	10-24 X 1/2 PH.TR.HD.SERD.M.S.	1	EA	
21	PA080037	TOP BURNER FRONT REPL PA080007	1	EA	



WIRING DIAGRAM

Uncontrolled Copy of Document: 001494-000 Rev: 2.0

PROTOTYPE

PROTOTYPE

Uncontrolled Copy of Document: 001494-000 Rev: 2.0

PROTOTYPE

Accessed On: 06/07/2007 16:46:57 Accessed By: Stan Dorroh



Appendix A:Pages Index

BAKE BURNER AREA 1
BOTTOM UNIT AREA 2
BROILER AREA 3
BURNER BOX INTERIOR 4
CONTROL AREA 5
DOOR ASSEMBLY 6
DRIP TRAY 7
IGNITER WIRES 8
MAIN OVEN CAVITY 9
PE070889 10
REAR ELECTRONICS AND GAS FLOW 11
REAR SHEET METAL 12
SIMPLE HARNESSSES 13
SINGLE WIRING 14
SURFACE COOKING AREA 15
WIRING DIAGRAM 16



Appendix B:Parts Index

000042-000	6	A20015315	6
000075-000	6	A2002189	6
000268-000	6	A2002367	6
000447-000	5	A2002490	4
000447-006	5	A2002491	4
000594-000	6	A2002497	6
000647-000	8	A2002595	9
000919-000	1	A2004424	1
000921-000	3	A2004434	1
000932-000	6	A2004456	15
000967-000	12	A2004457	12
001026-000	11	A2004465	2
001141-000	6	A2004481	2
001142-000	6	A2008467	9
001311-000	9	B20010179	2
001348-000	3	B20010180	2
001502-000	13	B2001815	2
001530-000	15	B2002188	6
001754-000	13	B2002345	15
001911-000	14	B2002346	15
001914-000	14	B2004415	1
002156-000	5	B2005589	3
002559-000	6	B9202840	5
003107-000	15	C90010179AL	2
003515-000	5	C90010179BK	2
005311-000	9	C90010179BT	2
006197-000	1	C90010179BU	2
006766-000	8	C90010179CB	2
007147-000	5	C90010179EP	2
013213-000	5	C90010179FG	2
020409-000	3	C90010179GG	2
050172-000	5	C90010179LE	2
068456-000	1	C90010179MJ	2
A1001138	5	C90010179SG	2
A1002596	9	C90010179VB	2
A1006344	4	C90010179WH	2
A2000210	4	C90010180AL	2
A20010691	7	C90010180BK	2
A2001112	15	C90010180BT	2
A20012922	2	C90010180BU	2
		C90010180CB	2



C90010180EP	2	G30010454	7
C90010180FG	2	G30010695	7
C90010180GG	2	G3001406	5
C90010180LE	2	G3001876	3
C90010180MJ	2	G4008493	14
C90010180SG	2	G50013584BK	15
C90010180VB	2	G50013584WH	15
C90010180WH	2	G9104482	9
C9001815AL	2	G93011458PVD	7
C9001815BK	2	PA010012	5
C9001815BT	2	PA010139	11
C9001815BU	2	PA020028	15
C9001815CB	2	PA020056	11
C9001815EP	2	PA020058	5
C9001815FG	2	PA030002BK	15
C9001815GG	2	PA030002WH	15
C9001815LE	2	PA060037	15
C9001815MJ	2	PA060049	15
C9001815SG	2	PA070003	5
C9001815VB	2	PA080015	15
C9001815WH	2	PA080036	15
C9002188AL	6	PA080037	15
C9002188BK	6	PB010206	5
C9002188BT	6	PB010207	5
C9002188BU	6	PB010209	5
C9002188CB	6	PB040170	1
C9002188EP	6	PB040171	3
C9002188FG	6	PB040172	1
C9002188GG	6	PB040178	3
C9002188LE	6	PB060030	9
C9002188MJ	6	PB060044	9
C9002188SG	6	PB070145	6
C9002188VB	6	PC020188	6
C9002188WH	6	PC020223	6
C9302345BR	15	PC020295	9
C9302346BR	15	PC030017	2
E91012614	9	PC040010	4, 15
E9104416BK	15	PD010003	5, 15
E9104416WH	15	PD010012	5
E9107933	9	PD010016	15
E9107934	9	PD010017	15



PD010019	6	PK000008	4
PD020002	5, 6		
PD020004	2, 4, 6, 9, 12, 15		
PD020013	9		
PD020014	11		
PD020032	6, 9, 15		
PD020033	5		
PD020044	5		
PD020046	5		
PD020048	3, 9, 12		
PD020060	1, 2, 3, 9, 11, 12		
PD020062	9		
PD020063	9		
PD020079	7		
PD030005	5		
PD030006	5, 6		
PD040004	7		
PD040005	4, 5		
PD040028	7		
PE010016	6		
PE010017	6		
PE010079	6		
PE010080	6		
PE010081	5		
PE010082	5		
PE030001PVD	6		
PE030005	6		
PE030012PVD	6		
PE050001	11		
PE050016	5		
PE050017	5		
PE050023	5		
PE050024	5		
PE050057	9		
PE050206	3		
PE060030	6		
PE060031	6		
PE060039	6		
PE060045	6		
PE070889	10		
PK000007	4		