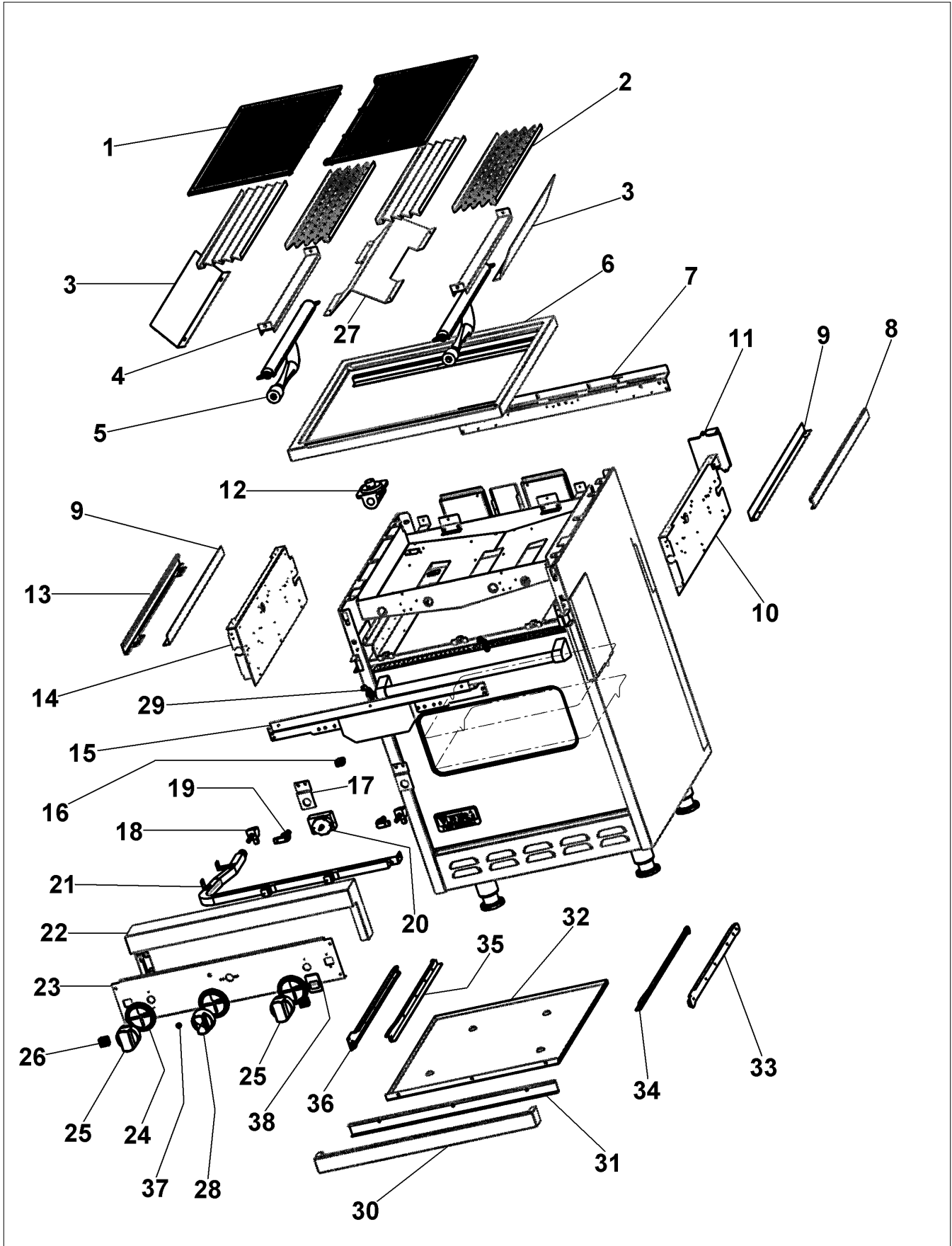


VGIC245Q

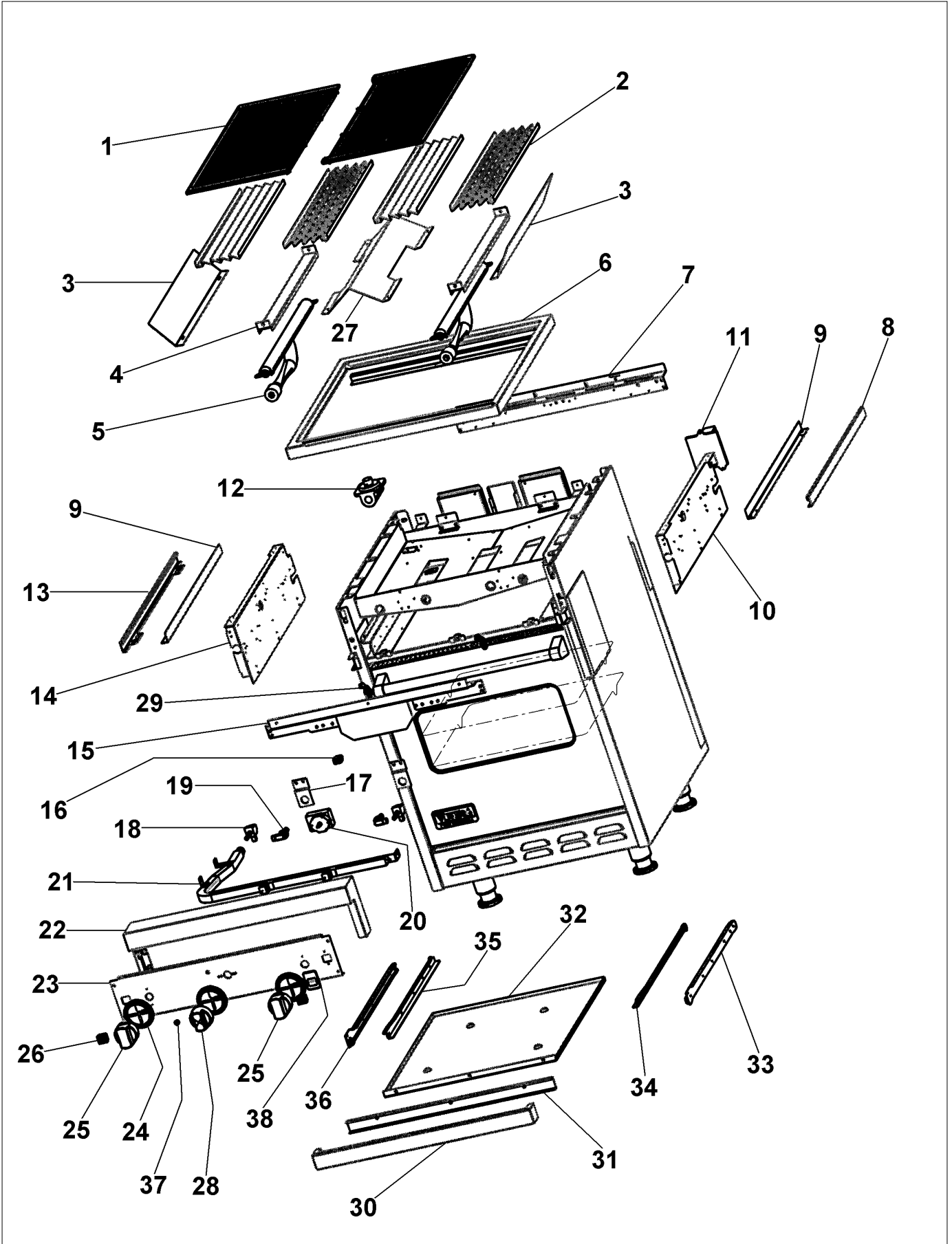
BURNER BOX ASSY	1
DOOR ASSY	2
OVEN ASSY	3
Appendix A:Pages Index	A
Appendix B:Parts Index	B

BURNER BOX ASSY





Item	Part No.	Name	Qty	Uom	NOTES
1	PA060080	24" GRILL GRATE *BLACK*		EA	
2	E9101130BK	GRILL SMOKE GENERATOR		EA	
3	A2009544	SIDE SHIELD, VGIC245Q		EA	NO LONGER AVAILABLE, Not available online / Call for pricing and availability
4	B2008484	24" GRILL FLAME SHIELD		EA	
5	PB050077	GRILL BURNER		EA	
6	G9109751AL	GRATE SUPPORT ASSEMBLY - AL		EA	Not available online / Call for pricing and availability
Not Shown	G9109751BK	GRATE SUPT ASSY, VGIC245Q		EA	
Not Shown	G9109751BT	GRATE SUPPORT ASSEMBLY - BT		EA	Not available online / Call for pricing and availability
Not Shown	G9109751CB	GRATE SUPPORT ASSEMBLY - CB		EA	Not available online / Call for pricing and availability
Not Shown	G9109751EP	GRATE SUPPORT ASSEMBLY - EP		EA	Not available online / Call for pricing and availability
Not Shown	G9109751FG	GRATE SUPPORT ASSEMBLY - FG		EA	Not available online / Call for pricing and availability
Not Shown	G9109751GG	GRATE SUPPORT ASSEMBLY - GG		EA	Not available online / Call for pricing and availability
Not Shown	G9109751LE	GRATE SUPPORT ASSEMBLY - LE		EA	Not available online / Call for pricing and availability
Not Shown	G9109751MJ	GRATE SUPPORT ASSEMBLY - MJ		EA	Not available online / Call for pricing and availability
Not Shown	G9109751SG	GRATE SUPPORT ASSEMBLY - SG		EA	Not available online / Call for pricing and availability





Item	Part No.	Name	Qty	Uom	NOTES
Not Shown	G9109751VB	GRATE SUPPORT ASSEMBLY - VB		EA	Not available online / Call for pricing and availability
Not Shown	G9109751WH	GRATE SUPT ASSY, VGIC245Q (WH)		EA	NO LONGER AVAILABLE
7	A2007672	REAR BURNER SUPPORT, VGIC245		EA	
8	024153-000	TRIM, SIDE, RH		EA	Not available online / Call for pricing and availability
Not Shown	C9308455BR	SIDE TRIM RH, VGIC245 *BR*		EA	NO LONGER AVAILABLE, Not available online / Call for pricing and availability
9	A2009750	GRATE SUPT BOTTOM (VGIC245Q)		EA	NO LONGER AVAILABLE, Not available online / Call for pricing and availability
10	A2001911	BURNER BOX SIDE RH		EA	
11	PA020024	RE-IGN. SPARK MODULE 0+2 /CE MODEL		EA	
12	PA070003	PRESSURE REGULATOR		EA	
13	024152-000	TRIM, SIDE, LH		EA	
Not Shown	C9308454BR	SIDE TRIM LH, VGIC245 *BR*		EA	NO LONGER AVAILABLE, Not available online / Call for pricing and availability
14	A2001912	BURNER BOX SIDE LH		EA	
15	A2009542	FRONT SUPPORT (VGIC245Q)		EA	NO LONGER AVAILABLE, Not available online / Call for pricing and availability
16	PE050024	OVEN IND. LIGHT (LIGHT HOUSING)		EA	

Comments for Part Num. PE050024

haarnink@vikingrange.com on Jan 14, 2019

please note that the indicator light is now part 043135-000 but needs the Jumper harness 051443-000. and second option there are units in the field with a 230V indicator light part number 036566-000.

please check this for all "E" module ranges/Tops



Item	Part No.	Name	Qty	Uom	NOTES
17	A2008481	24" GRILL ORIFICE BRACKET		EA	
18	PA010129	SUB TO 003557-000 - TOP BURNER VALVE (VDSC3074B)		EA	
19	PB040238	90 DEGREE ORIFICE FITTING, NAT #47		EA	
20	PB010036	THERMOSTAT BAKE/BROIL		EA	
21	PA050112	UNIVERSAL 24" MANIFOLD		EA	
22	G3002719	LANDING LEDGE ASSY (VCCGG4)		EA	
23	B9209543	CONTROL PANEL - VGIC245Q		EA	NO LONGER AVAILABLE, Not available online / Call for pricing and availability
24	050172-000	BEZEL, KNOB		EA	
Not Shown	PB010209	Bezel - BR		EA	
25	PA010122	VGRC/IC/RT GRILL KNOB (BK)		EA	
Not Shown	PA010123	VGRC/IC/RT GRILL KNOB (WH)		EA	
26	PE050016	OVEN LIGHT SWITCH - *BK* (WES-GAR)		EA	
Not Shown	PE050017	OVEN LIGHT SWITCH - *WH* (WES-GAR)		EA	
27	B2008483	24" GRILL DRIP COVER		EA	
28	PB010099	T/STAT B/B KNOB BK REPL PB010039BK*		EA	

Comments for Part Num. PB010099

imardr@att.net on Nov 8, 2015

need to list the white knob for a VGIC3054BWH

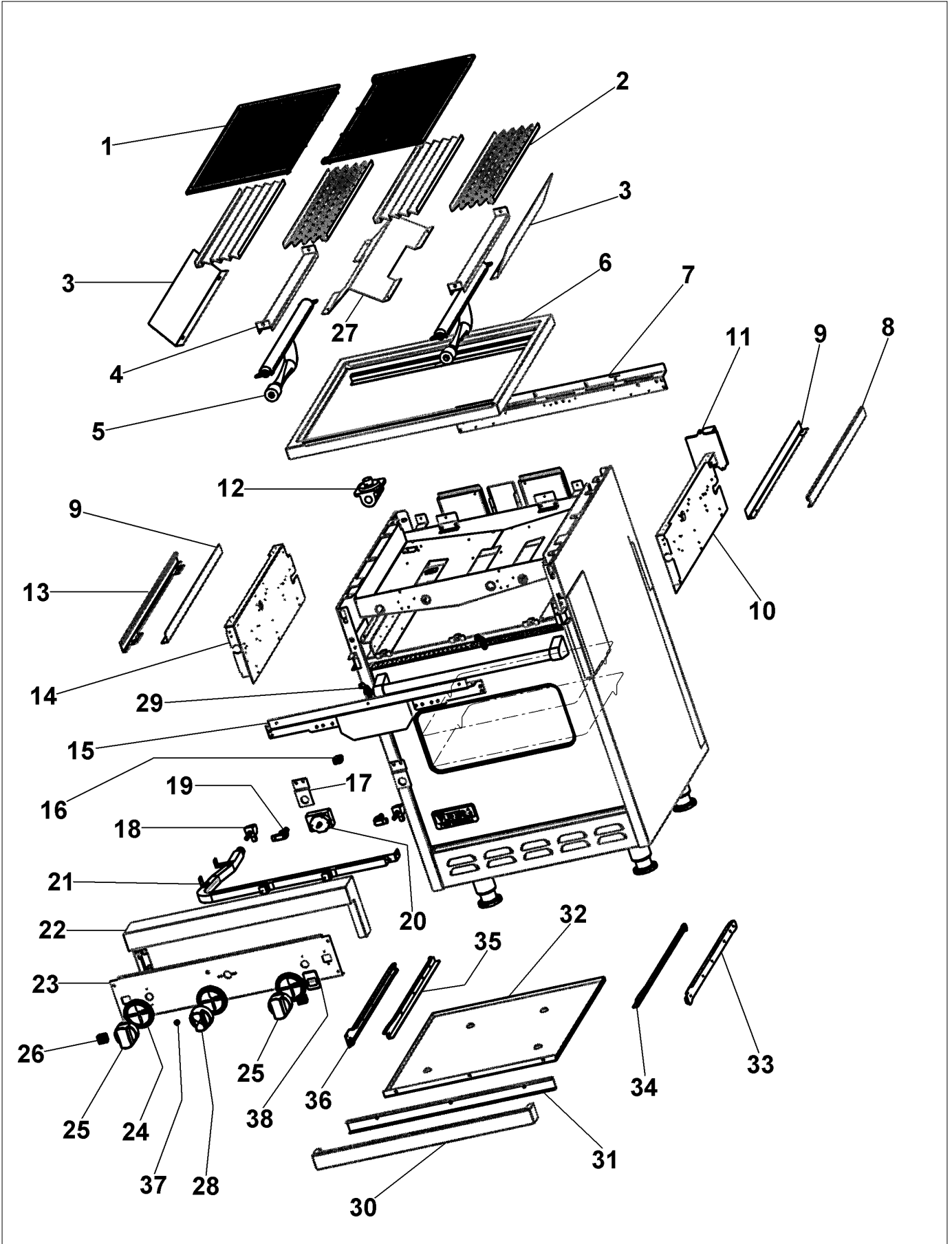
Reply by bradleysapplianceservice@shaw.ca on Sep 30, 2016

The White Knobs are NLA. Only Black are available.

bradleysapplianceservice@shaw.ca on Sep 30, 2016

THE WHITE KNOBS ARE NLA. ONLY BLACK KNOBS ARE AVAILABLE.

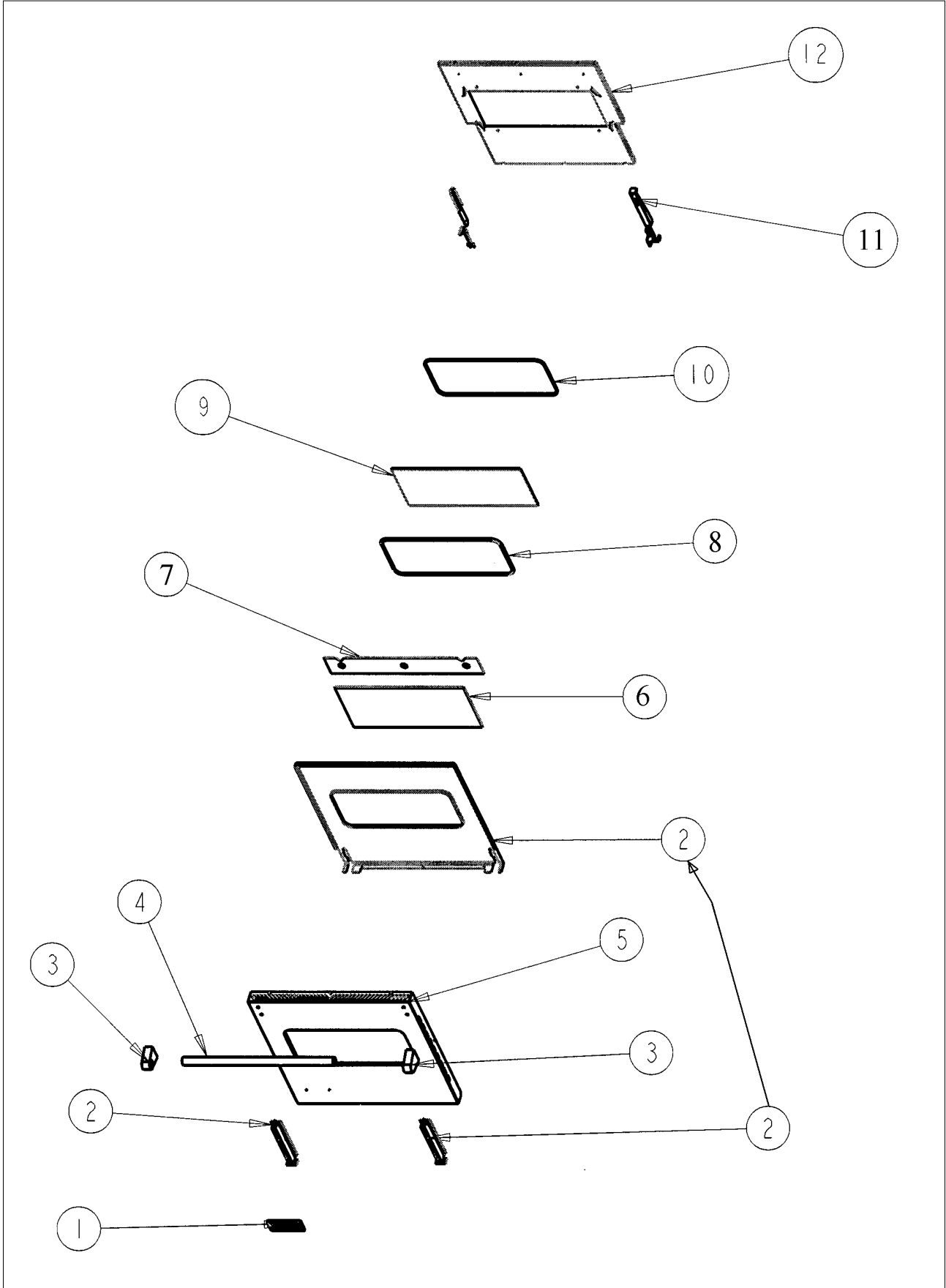
Not Shown	PB010100	THERMOSTAT BAKE/BROIL KNOB *WH* N/S		EA	
29	PB040160	WOK IGNITER		EA	
30	B2009529	VGIC245G DT FRONT		EA	NO LONGER AVAILABLE





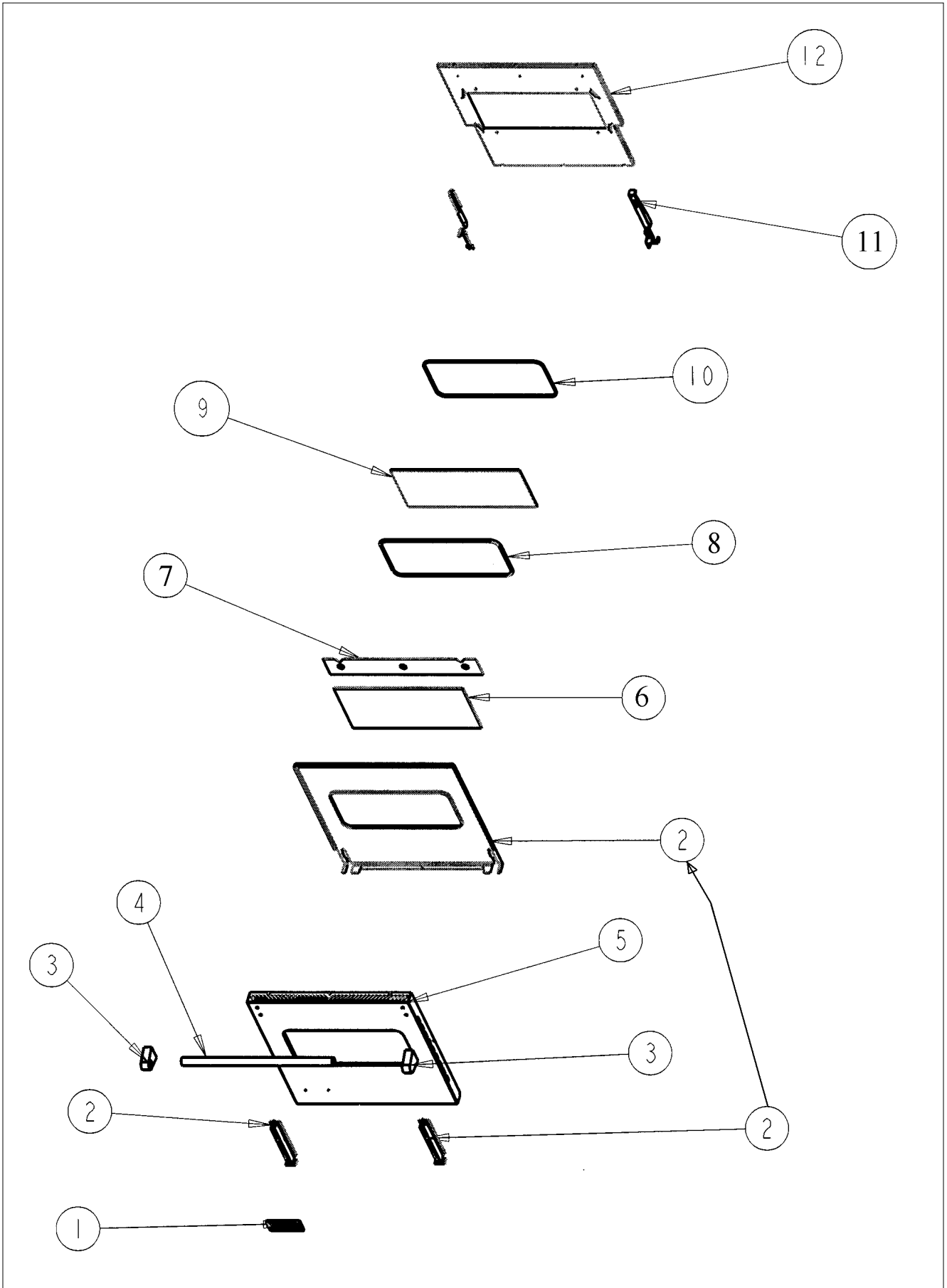
Item	Part No.	Name	Qty	Uom	NOTES
Not Shown	G9309533PVD	DRIP TRAY HANDLE ASSY. 24" BRASS		EA	
31	B2009527	VGIC245G DRIP TRAY HANDLE BACK		EA	NO LONGER AVAILABLE, Not available online / Call for pricing and availability
Not Shown	C9309535PVD	DRIP TRAY HANDLE BACK 24" PVD		EA	NO LONGER AVAILABLE, Not available online / Call for pricing and availability
32	B3002708	DRIP TRAY (VCCGG4)		EA	
33	PK000008	Drip Tray Guide - RH		EA	NO LONGER AVAILABLE
34	PK000010	RUNNER, DRIP TRAY - RH (VGRT)		EA	
35	PK000009	Drip Tray Guide - LH		EA	
36	PK000007	DRIP TRAY GUIDE - LH (VGRT)		EA	NO LONGER AVAILABLE
37	PE050023	OVEN IND. LIGHT (LENS & BEZEL)		EA	
38	PE010081	CONVECTION-LABEL/PLATE (CHROME)		EA	
Not Shown	PE010082	CONVECTION-LABEL/PLATE (*BR*)		EA	
NI	PA020015	Spark Ignition Switch		EA	
Not Shown	NOTE	(BEFORE 02/23/05)		EA	
NI	PA020045	Spark Ignition Switch		EA	
Not Shown	NOTE	(AFTER 02/23/05)		EA	

DOOR ASSY



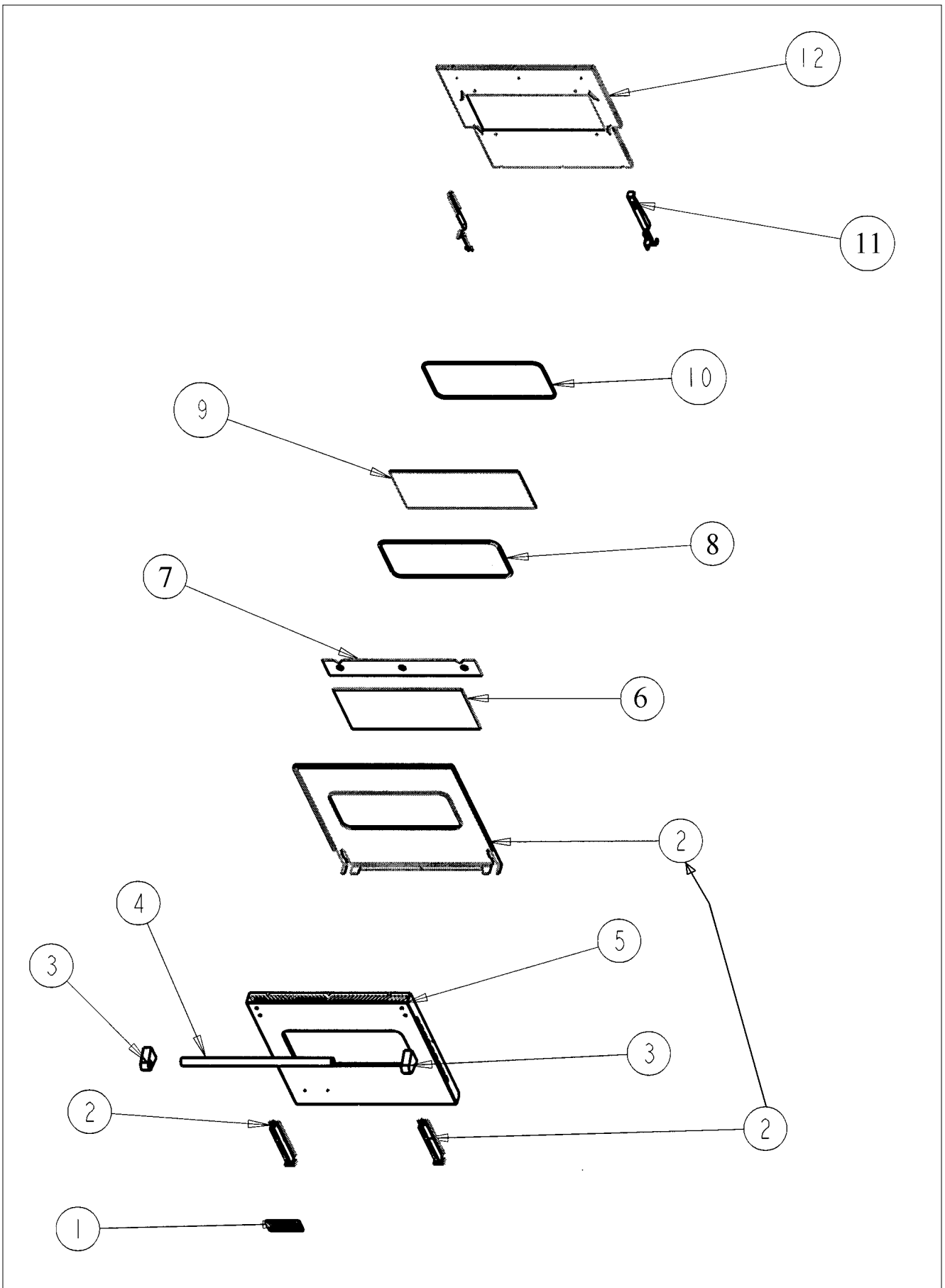


Item	Part No.	Name	Qty	Uom	NOTES
1	PE010016	LOGO (ALL RANGES) *BK/CHR 307997W	1	EA	
Not Shown	PE010079	4.5" LOGO/VIKING PROF *BK/BR	1	EA	
Not Shown	PE010017	LOGO (VGSO,VEDO,VGDO,VUD) *WH/CHR	1	EA	
Not Shown	PE010080	4.5" LOGO/VIKING PROF *WH/BR	1	EA	
2	G9107949	OVEN DOOR LINER ASSY., VGIC245	1	EA	
3	000268-000	HANDLE ENDCAP	1	EA	
Not Shown	PE030001PVD	END CAP DOOR HANDLE *BR	1	EA	
4	PE030117	HANDLE VGIC 24 INCH	1	EA	
Not Shown	PE030117PVD	HANDLE VGIC 24 INCH BRASS	1	EA	NO LONGER AVAILABLE
5	B2007925	OUTSIDE DOOR PANEL SS, VGIC245	1	EA	
Not Shown	C9007925AL	O/S DOOR PANEL - AL	1	EA	Not available online / Call for pricing and availability
Not Shown	C9007925BK	O/S DOOR PANEL VGIC245 *BK*	1	EA	Not available online / Call for pricing and availability
Not Shown	C9007925BT	O/S DOOR PANEL - BT	1	EA	Not available online / Call for pricing and availability
Not Shown	C9007925BU	O/S DOOR PANEL - BU	1	EA	
Not Shown	C9007925CB	O/S DOOR PANEL VGIC245 *CB*	1	EA	NO LONGER AVAILABLE, Not available online / Call for pricing and availability
Not Shown	C9007925EP	O/S DOOR PANEL - EP	1	EA	Not available online / Call for pricing and availability
Not Shown	C9007925FG	O/S DOOR PANEL - FG	1	EA	Not available online / Call for pricing and availability



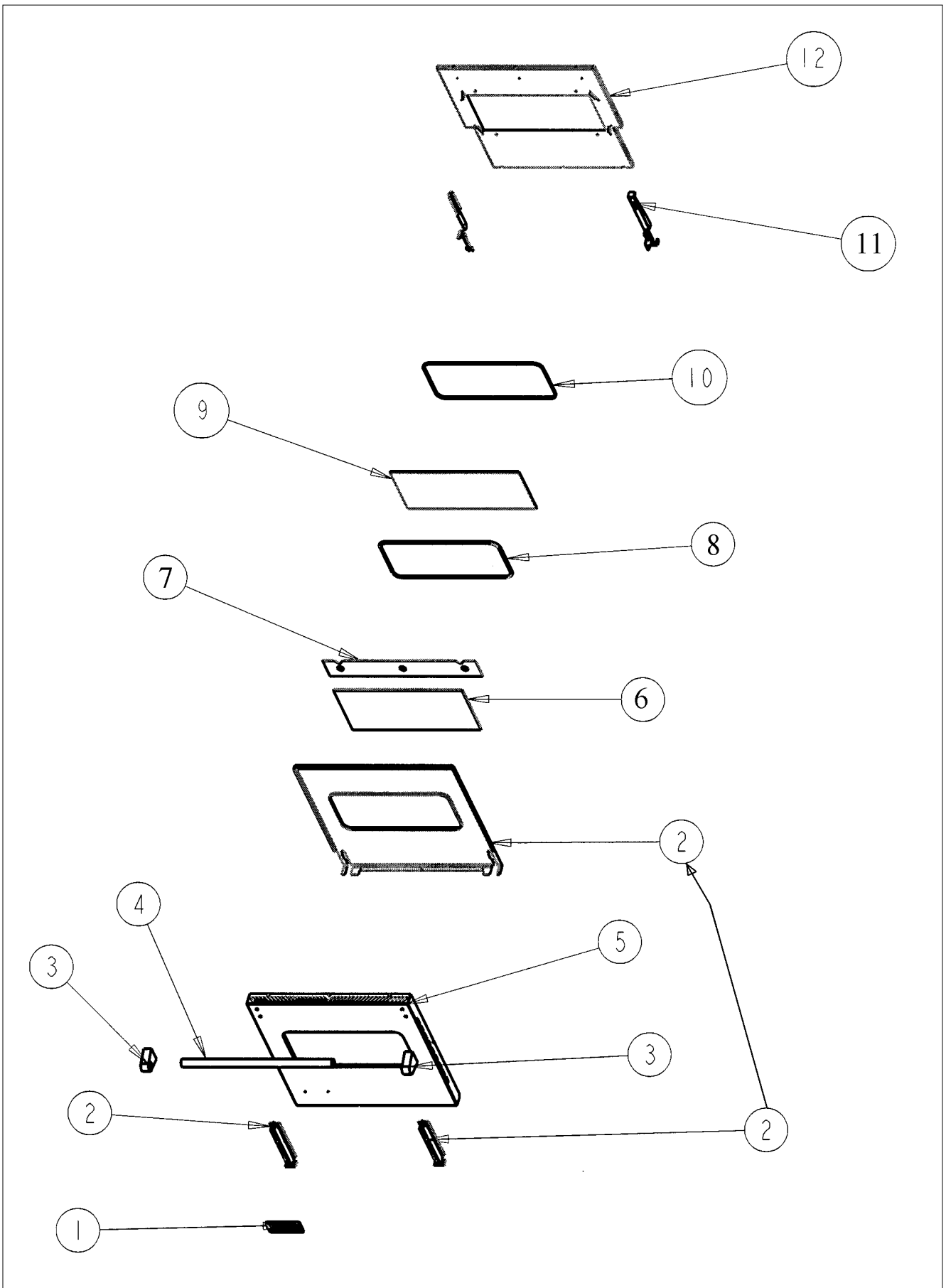


Item	Part No.	Name	Qty	Uom	NOTES
Not Shown	C9007925GG	O/S DOOR PANEL - GG	1	EA	Not available online / Call for pricing and availability
Not Shown	C9007925LE	O/S DOOR PANEL VGIC245 *LE*	1	EA	
Not Shown	C9007925MJ	O/S DOOR PANEL - MJ	1	EA	Not available online / Call for pricing and availability
Not Shown	C9007925SG	O/S DOOR PANEL - SG	1	EA	Not available online / Call for pricing and availability
Not Shown	C9007925VB	O/S DOOR PANEL VGIC245 *VB*	1	EA	
Not Shown	C9007925WH	O/S DOOR PANEL VGIC245 *WH*	1	EA	NO LONGER AVAILABLE, Not available online / Call for pricing and availability
6	PE060018	OVEN GLASS-TEMPERED,SCREENED*BK*	1	EA	
7	A1007947	DOOR HEAT BAFFLE	1	EA	Not available online / Call for pricing and availability
8	PE060007	J-MOLD (1" RADIUS)	1	EA	
9	PE060008	GLASS REPL PE060009	1	EA	
10	PB070014	DOOR GLASS SEAL STRIP - WINDOW DRS.	1	EA	
11	PC020003	HINGE ASSY (BLUE)	1	EA	
12	A2007948	DOOR INSULATION RETAINER, VGIC245	1	EA	
NI	A2007946	DOOR GLASS BRACKET	1	EA	Not available online / Call for pricing and availability
NI	PB070145	SUPERWOOL 5" X 24" X 3'	1	EA	
NI	PD020032	SRW-8(A)X3/8"PH.WFR HD 7/16DIA*NICL	1	EA	
NI	G3207922AL	COMPLETE DOOR ASSEMBLY - AL	1	EA	Not available online / Call for pricing and availability



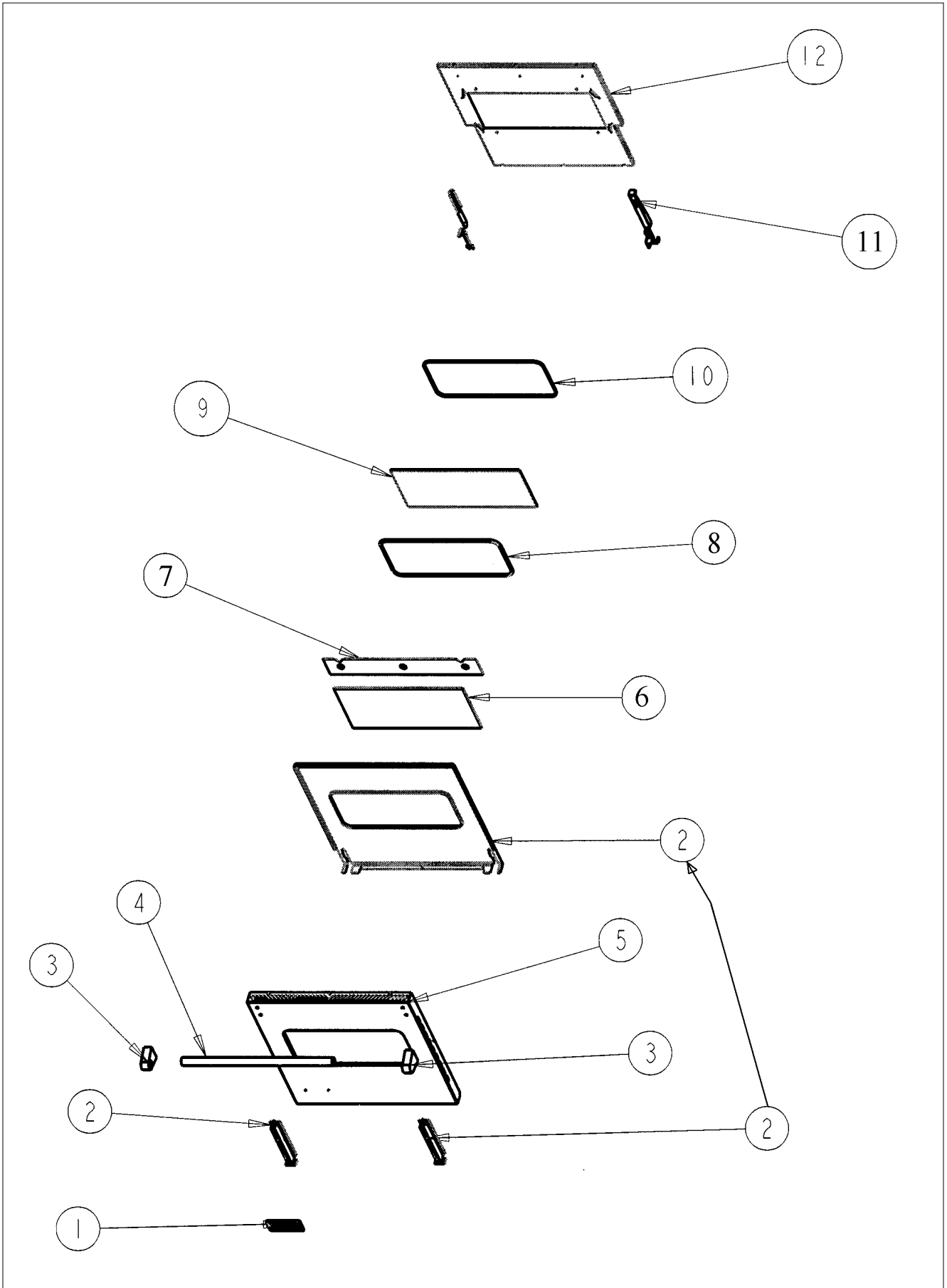


Item	Part No.	Name	Qty	Uom	NOTES
Not Shown	G3207922ALBR	COMPLETE DOOR ASSEMBLY - ALBR	1	EA	Not available online / Call for pricing and availability
Not Shown	G3207922BK	COMPLETE DOOR ASSEMBLY - BK	1	EA	Not available online / Call for pricing and availability
Not Shown	G3207922BKBR	COMPLETE DOOR ASSEMBLY - BKBR	1	EA	Not available online / Call for pricing and availability
Not Shown	G3207922BT	COMPLETE DOOR ASSEMBLY - BT	1	EA	Not available online / Call for pricing and availability
Not Shown	G3207922BTBR	COMPLETE DOOR ASSEMBLY - BTBR	1	EA	Not available online / Call for pricing and availability
Not Shown	G3207922BU	COMPLETE DOOR ASSEMBLY - BU	1	EA	Not available online / Call for pricing and availability
Not Shown	G3207922BUBR	COMPLETE DOOR ASSEMBLY - BUBR	1	EA	
Not Shown	G3207922CB	COMPLETE DOOR ASSEMBLY - CB	1	EA	Not available online / Call for pricing and availability
Not Shown	G3207922CBBR	COMPLETE DOOR ASSEMBLY - CBBR	1	EA	Not available online / Call for pricing and availability
Not Shown	G3207922EP	COMPLETE DOOR ASSEMBLY - EP	1	EA	Not available online / Call for pricing and availability
Not Shown	G3207922EPBR	COMPLETE DOOR ASSEMBLY - EPBR	1	EA	Not available online / Call for pricing and availability
Not Shown	G3207922FG	COMPLETE DOOR ASSEMBLY - FG	1	EA	Not available online / Call for pricing and availability
Not Shown	G3207922FGBR	COMPLETE DOOR ASSEMBLY - FGBR	1	EA	Not available online / Call for pricing and availability





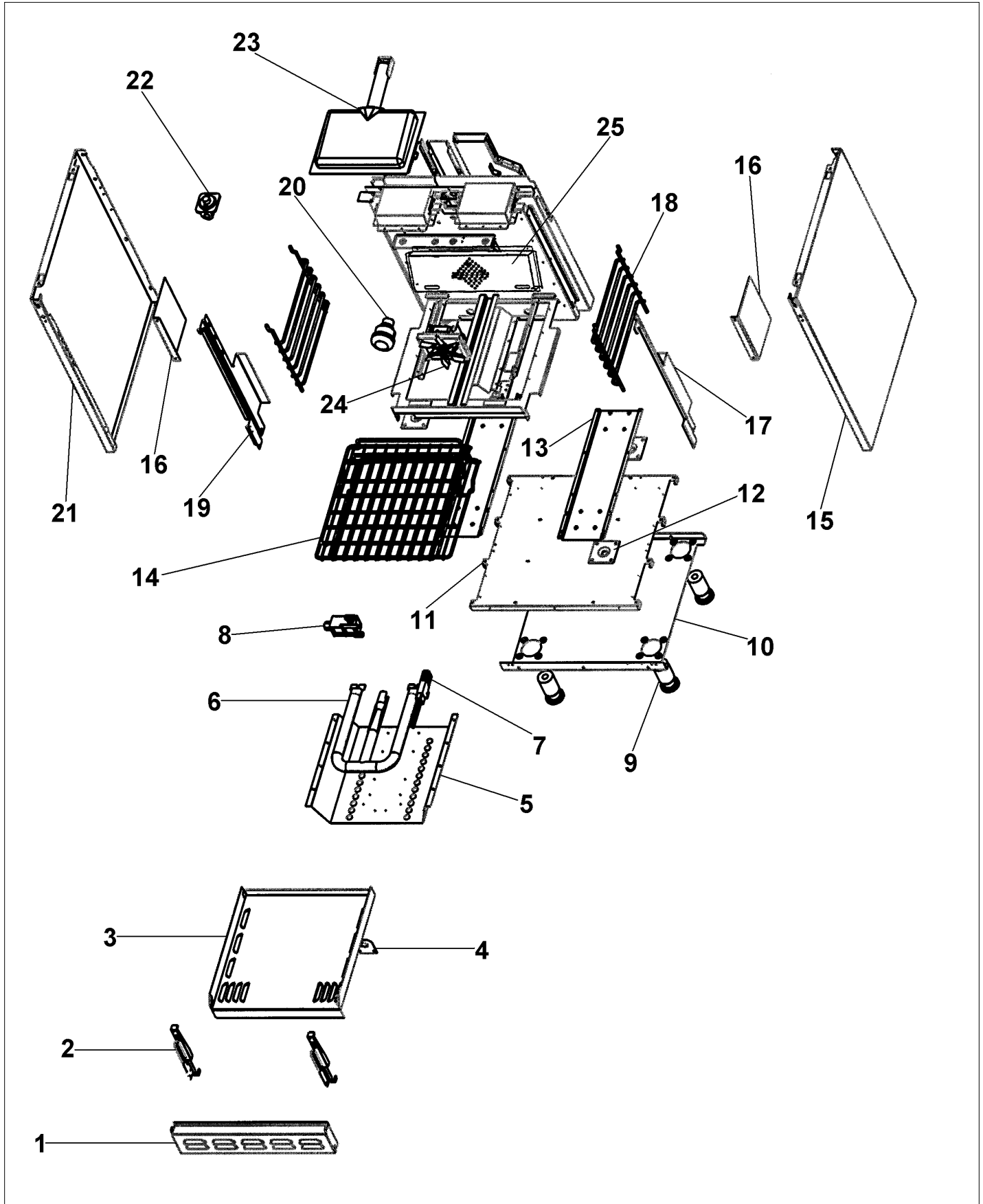
Item	Part No.	Name	Qty	Uom	NOTES
Not Shown	G3207922GG	COMPLETE DOOR ASSEMBLY - GG	1	EA	Not available online / Call for pricing and availability
Not Shown	G3207922GGBR	COMPLETE DOOR ASSEMBLY - GGBR	1	EA	Not available online / Call for pricing and availability
Not Shown	G3207922LE	COMPLETE DOOR ASSEMBLY - LE	1	EA	Not available online / Call for pricing and availability
Not Shown	G3207922LEBR	COMPLETE DOOR ASSEMBLY - LEBR	1	EA	Not available online / Call for pricing and availability
Not Shown	G3207922MJ	COMPLETE DOOR ASSEMBLY - MJ	1	EA	Not available online / Call for pricing and availability
Not Shown	G3207922MJBR	COMPLETE DOOR ASSEMBLY - MJBR	1	EA	Not available online / Call for pricing and availability
Not Shown	G3207922SG	COMPLETE DOOR ASSEMBLY - SG	1	EA	Not available online / Call for pricing and availability
Not Shown	G3207922SGBR	COMPLETE DOOR ASSEMBLY - SGBR	1	EA	Not available online / Call for pricing and availability
Not Shown	G3207922SS	DOOR ASSY *SS*, VGIC245	1	EA	Not available online / Call for pricing and availability
Not Shown	G3207922SSBR	COMPLETE DOOR ASSEMBLY - SSBR	1	EA	Not available online / Call for pricing and availability
Not Shown	G3207922VB	COMPLETE DOOR ASSEMBLY - VB	1	EA	Not available online / Call for pricing and availability
Not Shown	G3207922VBBR	COMPLETE DOOR ASSEMBLY - VBBR	1	EA	Not available online / Call for pricing and availability
Not Shown	G3207922WH	COMPLETE DOOR ASSEMBLY - WH	1	EA	Not available online / Call for pricing and availability





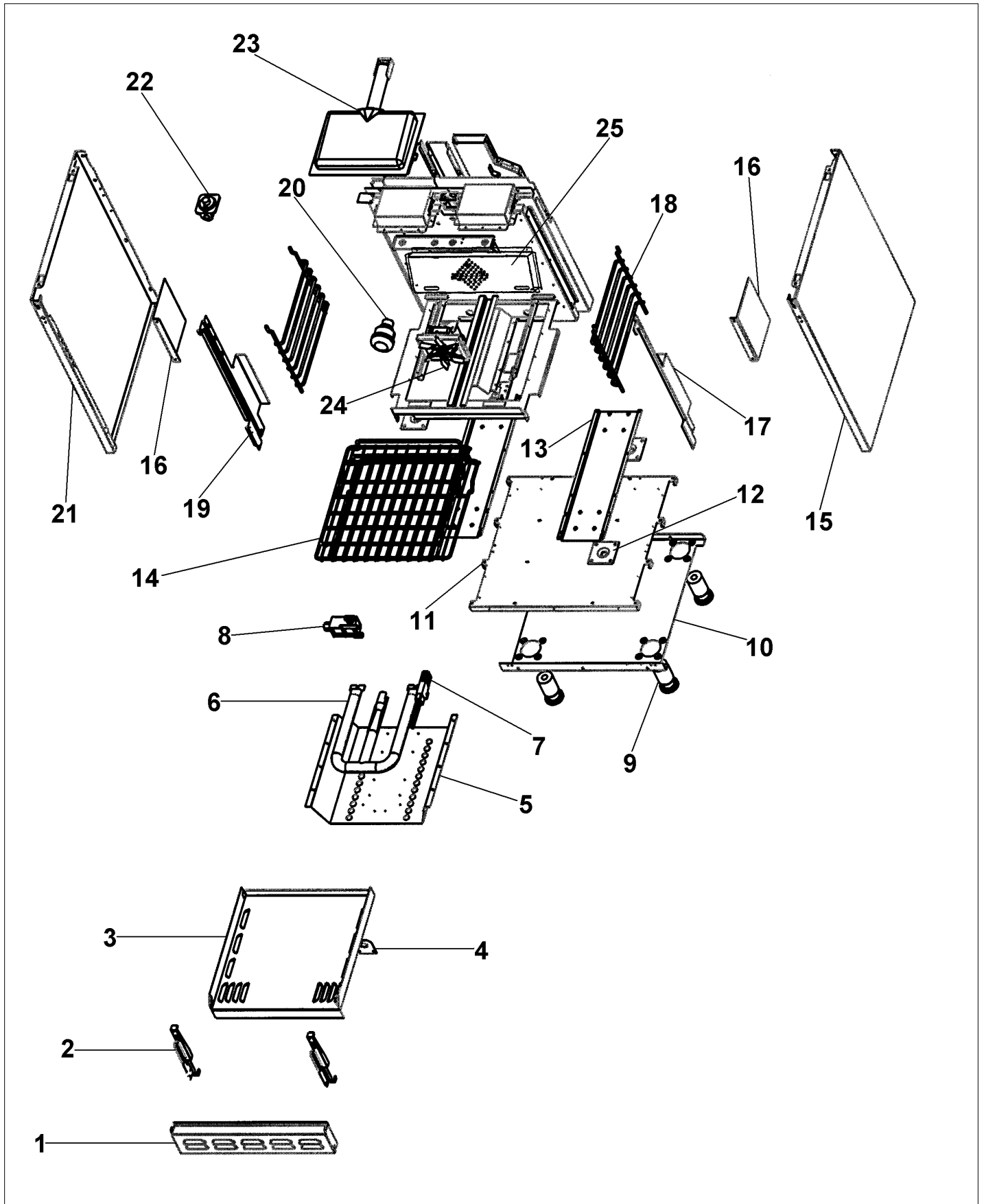
Item	Part No.	Name	Qty	Uom	NOTES
Not Shown	G3207922WHBR	COMPLETE DOOR ASSEMBLY - WHBR	1	EA	Not available online / Call for pricing and availability

OVEN ASSY



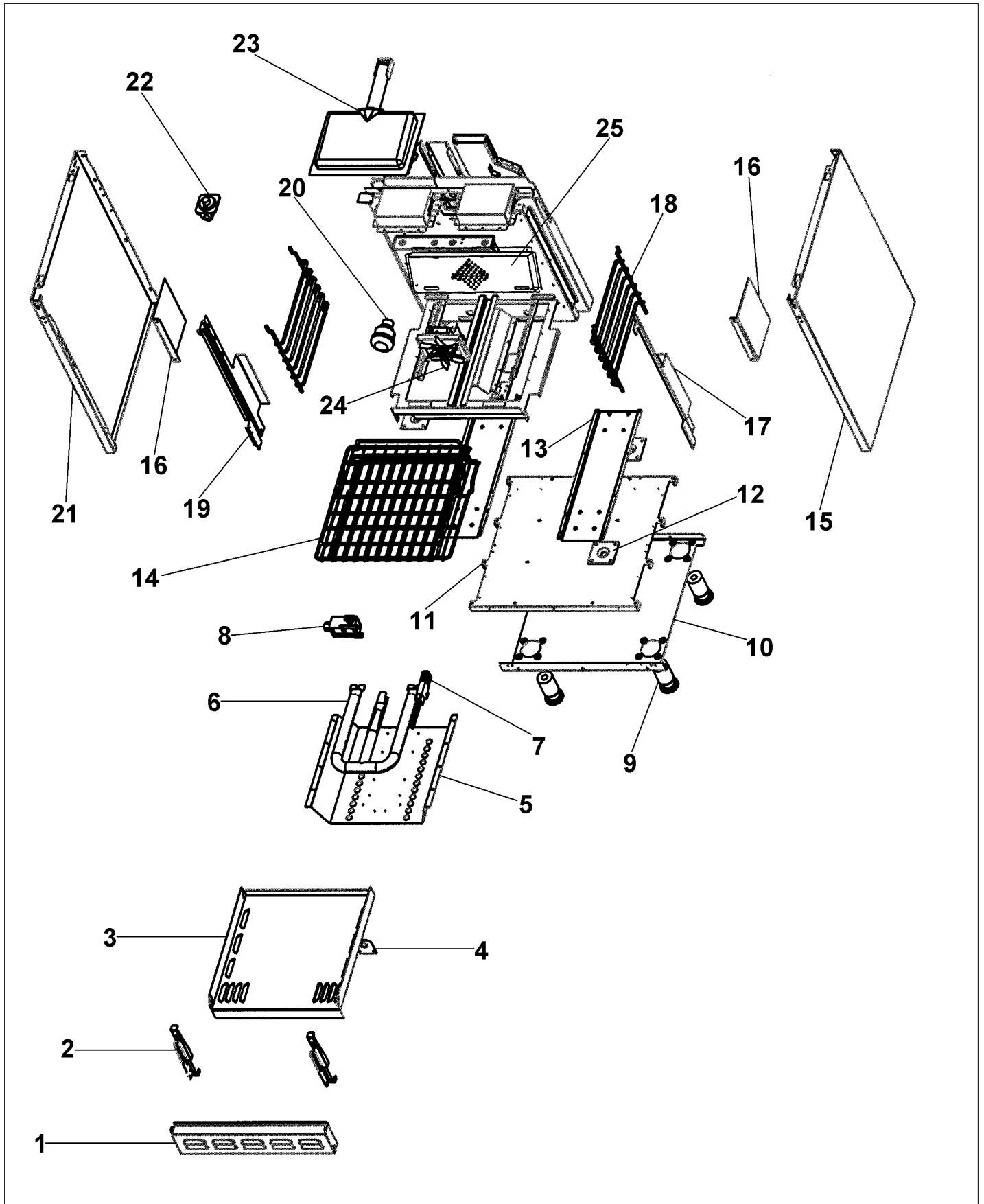


Item	Part No.	Name	Qty	Uom	NOTES
1	B2007987	LOWER ACCESS PANEL, VGIC245	1	EA	
Not Shown	C9007987AL	LOWER ACCESS PANEL - AL	1	EA	Not available online / Call for pricing and availability
Not Shown	C9007987BK	LOWER ACCESS PANEL, VGIC245 *BK*	1	EA	NO LONGER AVAILABLE, Not available online / Call for pricing and availability
Not Shown	C9007987BT	LOWER ACCESS PANEL - BT	1	EA	Not available online / Call for pricing and availability
Not Shown	C9007987BU	LOWER ACCESS PANEL - BU	1	EA	
Not Shown	C9007987CB	LOWER ACCESS PANEL, VGIC245 *CB*	1	EA	NO LONGER AVAILABLE, Not available online / Call for pricing and availability
Not Shown	C9007987EP	LOWER ACCESS PANEL - EP	1	EA	Not available online / Call for pricing and availability
Not Shown	C9007987FG	LOWER ACCESS PANEL - FG	1	EA	Not available online / Call for pricing and availability
Not Shown	C9007987GG	LOWER ACCESS PANEL - GG	1	EA	Not available online / Call for pricing and availability
Not Shown	C9007987LE	LOWER ACCESS PANEL, VGIC245 *LE*	1	EA	
Not Shown	C9007987MJ	LOWER ACCESS PANEL - MJ	1	EA	Not available online / Call for pricing and availability
Not Shown	C9007987SG	LOWER ACCESS PANEL - SG	1	EA	Not available online / Call for pricing and availability
Not Shown	C9007987VB	LOWER ACCESS PANEL, VGIC245 *VB*	1	EA	
Not Shown	C9007987WH	LOWER ACCESS PANEL, VGIC245 *WH*	1	EA	
2	PC020003	HINGE ASSY (BLUE)	1	EA	



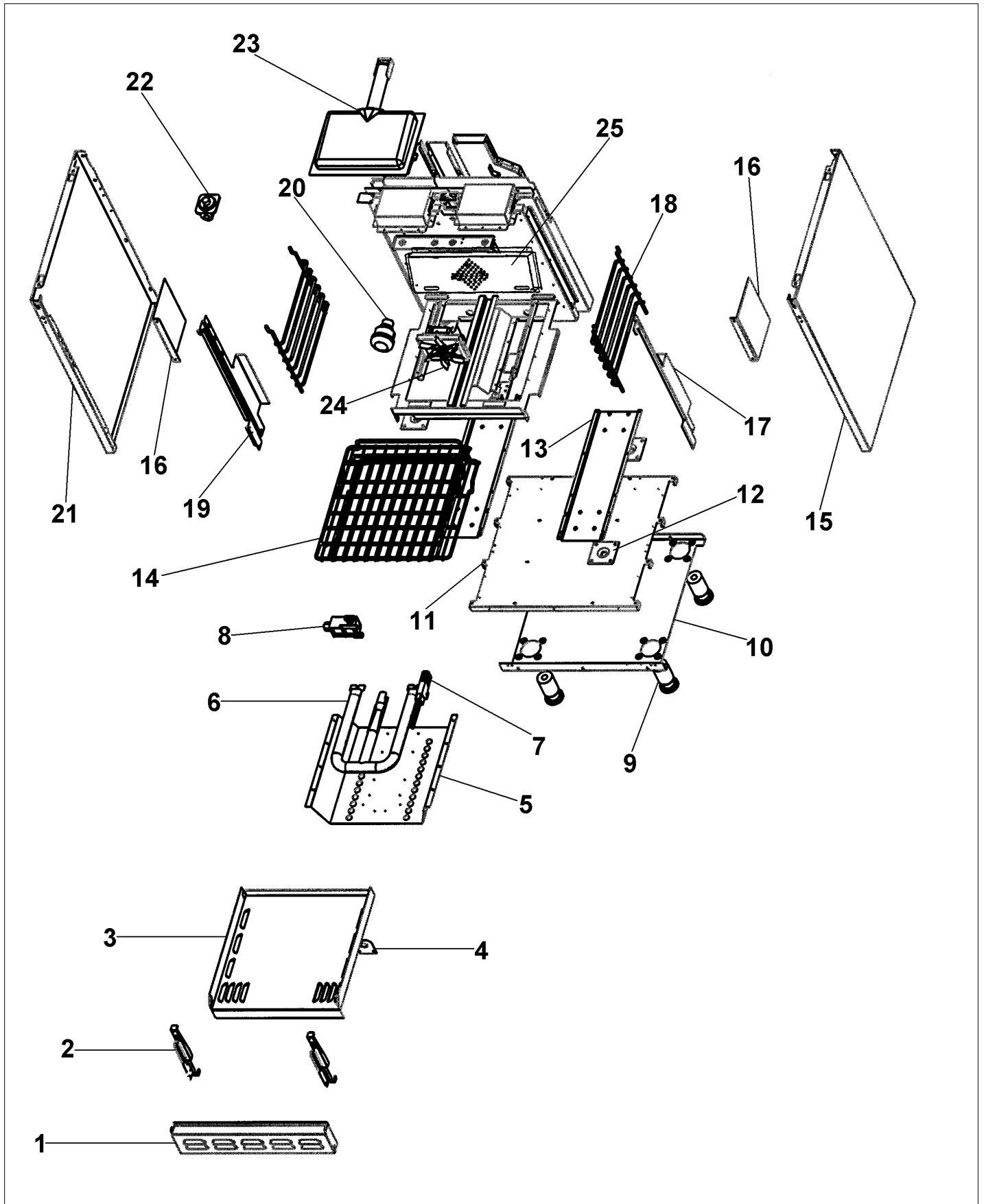


Item	Part No.	Name	Qty	Uom	NOTES
#	PB020113	3/8 SS FLEX TUBING - 52" T6-52	1	EA	
#	PB020116	TUBING - 10" FLEXIBLE 12 & 24"	1	EA	
#	PB020127	3/8" S.S. FLEX TUBING 20" (DGPU)	1	EA	
#	PB020136	44" 3/8 S.S. FLEX TUBING T6-44	1	EA	
3	G9107670	OVEN BOTTOM ASSY, VGIC245 (DOESN'T INCLUDE HEAT SHIELD, MUST ORDER HEAT SHIELD SEPARATELY)	1	EA	
NI	A2002269	OVEN BTM HEAT SHIELD	1	EA	
<p>Comments for Part Num. A2002269</p> <p>gboltz@VikingRange.com on Aug 9, 2016</p> <p>DO NOT ORDER JUST HEAT SHIELD ORDER BTM OVEN PANEL ASSY ONLY</p>					
NI	008026-000	SCREW, TEK, #6-20 x 3/8, S.S.	8	EA	
4	A1008487	SERVICE DISCONNECT BRACKET	1	EA	
5	A2007678	AIR PLATE	1	EA	Not available online / Call for pricing and availability
6	006197-000	U-SHAPE BAKE BURNER 8"	1	EA	
7	PB040001	Igniter	1	EA	
8	PB010084	DUAL THERMAL BI-MTL GAS CTRL VALVE	1	EA	
9	PC030017	4" LEG ASSY	1	EA	
10	A2007665	MAIN BOTTOM	1	EA	Not available online / Call for pricing and availability
11	A2007666	BOTTOM INSULATION SHIELD	1	EA	Not available online / Call for pricing and availability
12	PC030007	LEG PLATE - 3/4" THREADED HOLE	1	EA	
13	A2001351	LEG BRACE (VGSC/VGSS) 30"	1	EA	NO LONGER AVAILABLE, Not available online / Call for pricing and availability
14	PB060080	OVEN RACK VGIC 24 INCH	1	EA	



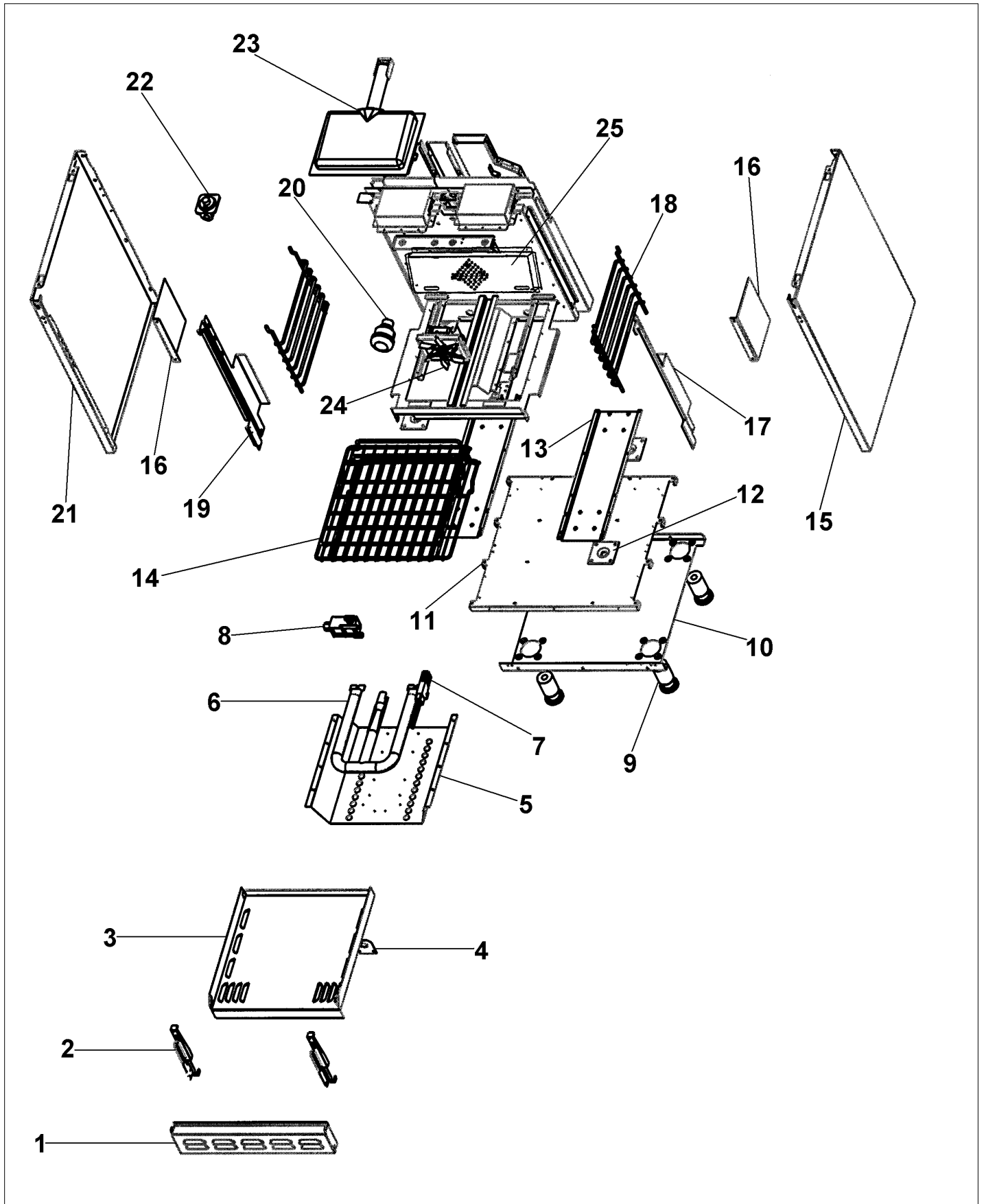


Item	Part No.	Name	Qty	Uom	NOTES
15	B2002597	O/S BODY PANEL - RH (SS)	1	EA	
Not Shown	C9002597AL	O/S BODY PANEL-RH *AL* (VDSC)	1	EA	NO LONGER AVAILABLE, Not available online / Call for pricing and availability
Not Shown	C9002597BK	BODY PNL RH BK REPL C9001921BK	1	EA	
Not Shown	C9002597BT	O/S BODY PANEL-RH *BT* (VDSC)	1	EA	NO LONGER AVAILABLE
Not Shown	C9002597BU	BODY PNL RH BU REPL C9001921BU	1	EA	Not available online / Call for pricing and availability
Not Shown	C9002597CB	O/S BODY PANEL-RH *CB* (VDSC)	1	EA	NO LONGER AVAILABLE
Not Shown	C9002597EP	O/S BODY PANEL-RH *EP* (VDSC)	1	EA	NO LONGER AVAILABLE
Not Shown	C9002597FG	BODY PNL RH FG REPL C9001921FG	1	EA	NO LONGER AVAILABLE, Not available online / Call for pricing and availability
Not Shown	C9002597GG	BODY PNL RH GG REPL C9001921GG	1	EA	Not available online / Call for pricing and availability
Not Shown	C9002597LE	O/S BODY PANEL-RH *LE* (VDSC)	1	EA	
Not Shown	C9002597MJ	O/S BODY PANEL-RH *MJ* (VDSC)	1	EA	NO LONGER AVAILABLE
Not Shown	C9002597SG	O/S BODY PANEL-RH *SG* (VDSC)	1	EA	NO LONGER AVAILABLE, Not available online / Call for pricing and availability
Not Shown	C9002597VB	BODY PNL RH VB REPL C9001921VB	1	EA	
Not Shown	C9002597WH	BODY PNL RH WH REPL C9001921WH	1	EA	
16	J2002593	Oven Side Heat Sink	1	EA	Not available online / Call for pricing and availability
17	E9101366	LINER EXTENSION RH (VGSC/VGSS)	1	EA	NO LONGER AVAILABLE, Not available online / Call for pricing and availability





Item	Part No.	Name	Qty	Uom	NOTES
18	PB060030	RACK SUPT REPL PB060010	1	EA	
19	E9101367	LINER EXTENSION LH (VGSC/VGSS)	1	EA	NO LONGER AVAILABLE, Not available online / Call for pricing and availability
20	031449-000	LAMP, ASM	1	EA	
21	B2002598	O/S BODY PANEL LH (SS)	1	EA	
Not Shown	C9002598AL	BODY PNL LH 30'REPL C9001922AL	1	EA	NO LONGER AVAILABLE, Not available online / Call for pricing and availability
Not Shown	C9002598BK	BODY PNL LH 30'REPL C9001922BK	1	EA	
Not Shown	C9002598BT	O/S BODY PANEL-LH *BT* (VDSC)	1	EA	NO LONGER AVAILABLE
Not Shown	C9002598BU	BODY PNL LH 30'REPL C9001922BU	1	EA	
Not Shown	C9002598CB	O/S BODY PANEL-LH *CB* (VDSC)	1	EA	Not available online / Call for pricing and availability
Not Shown	C9002598EP	O/S BODY PANEL-LH *EP* (VDSC)	1	EA	NO LONGER AVAILABLE, Not available online / Call for pricing and availability
Not Shown	C9002598FG	BODY PNL LH 30'REPL C9001922FG	1	EA	NO LONGER AVAILABLE, Not available online / Call for pricing and availability
Not Shown	C9002598GG	BODY PNL LH 30'REPL C9001922GG	1	EA	Not available online / Call for pricing and availability
Not Shown	C9002598LE	O/S BODY PANEL-LH *LE* (VDSC)	1	EA	NO LONGER AVAILABLE, Not available online / Call for pricing and availability
Not Shown	C9002598MJ	O/S BODY PANEL-LH *MJ* (VDSC)	1	EA	NO LONGER AVAILABLE
Not Shown	C9002598SG	O/S BODY PANEL-LH *SG* (VDSC)	1	EA	NO LONGER AVAILABLE, Not available online / Call for pricing and availability





Item	Part No.	Name	Qty	Uom	NOTES
Not Shown	C9002598VB	BODY PNL LH 30'REPL C9001922VB	1	EA	NO LONGER AVAILABLE, Not available online / Call for pricing and availability
Not Shown	C9002598WH	BODY PNL LH 30'REPL C9001922WH	1	EA	
22	PA070003	PRESSURE REGULATOR	1	EA	
23	G3001876	IR BURNER ASSY (VGSC/RC) N/S	1	EA	
#	PB040018	IR BURNER ORIFICE SPUD LP (12,500 BTU)	1	EA	
#	PB040017	IR BURNER ORIFICE NAT.(15,000 BTU)	1	EA	
24	PE050005	CONVECTION FAN ASSY	1	EA	
#	PB020203	1/2 NPT MALE/FEM FLEX TUBE	1	EA	Not available online / Call for pricing and availability
#	PB070031	OVEN DR GASKET RH (VGRC48)	1	EA	
25	E9107988	CONVECTION FAN COVER	1	EA	Not available online / Call for pricing and availability
#	003226-000	FJT VALVE - NO NUT/FERRELL	1	EA	



Appendix A:Pages Index

BURNER BOX ASSY	1
DOOR ASSY	2
OVEN ASSY	3



Appendix B:Parts Index

000268-000	2	C9002597FG	3
003226-000	3	C9002597GG	3
006197-000	3	C9002597LE	3
008026-000	3	C9002597MJ	3
024152-000	1	C9002597SG	3
024153-000	1	C9002597VB	3
031449-000	3	C9002597WH	3
050172-000	1	C9002598AL	3
A1007947	2	C9002598BK	3
A1008487	3	C9002598BT	3
A2001351	3	C9002598BU	3
A2001911	1	C9002598CB	3
A2001912	1	C9002598EP	3
A2002269	3	C9002598FG	3
A2007665	3	C9002598GG	3
A2007666	3	C9002598LE	3
A2007672	1	C9002598MJ	3
A2007678	3	C9002598SG	3
A2007946	2	C9002598VB	3
A2007948	2	C9002598WH	3
A2008481	1	C9007925AL	2
A2009542	1	C9007925BK	2
A2009544	1	C9007925BT	2
A2009750	1	C9007925BU	2
B2002597	3	C9007925CB	2
B2002598	3	C9007925EP	2
B2007925	2	C9007925FG	2
B2007987	3	C9007925GG	2
B2008483	1	C9007925LE	2
B2008484	1	C9007925MJ	2
B2009527	1	C9007925SG	2
B2009529	1	C9007925VB	2
B3002708	1	C9007925WH	2
B9209543	1	C9007987AL	3
C9002597AL	3	C9007987BK	3
C9002597BK	3	C9007987BT	3
C9002597BT	3	C9007987BU	3
C9002597BU	3	C9007987CB	3
C9002597CB	3	C9007987EP	3
C9002597EP	3	C9007987FG	3
		C9007987GG	3



C9007987LE	3	G3207922WHBR	2
C9007987MJ	3	G9107670	3
C9007987SG	3	G9107949	2
C9007987VB	3	G9109751AL	1
C9007987WH	3	G9109751BK	1
C9308454BR	1	G9109751BT	1
C9308455BR	1	G9109751CB	1
C9309535PVD	1	G9109751EP	1
E9101130BK	1	G9109751FG	1
E9101366	3	G9109751GG	1
E9101367	3	G9109751LE	1
E9107988	3	G9109751MJ	1
G3001876	3	G9109751SG	1
G3002719	1	G9109751VB	1
G3207922AL	2	G9109751WH	1
G3207922ALBR	2	G9309533PVD	1
G3207922BK	2	J2002593	3
G3207922BKBR	2	PA010122	1
G3207922BT	2	PA010123	1
G3207922BTBR	2	PA010129	1
G3207922BU	2	PA020015	1
G3207922BUBR	2	PA020024	1
G3207922CB	2	PA020045	1
G3207922CBBR	2	PA050112	1
G3207922EP	2	PA060080	1
G3207922EPBR	2	PA070003	1, 3
G3207922FG	2	PB010036	1
G3207922FGBR	2	PB010084	3
G3207922GG	2	PB010099	1
G3207922GGBR	2	PB010100	1
G3207922LE	2	PB010209	1
G3207922LEBR	2	PB020113	3
G3207922MJ	2	PB020116	3
G3207922MJBR	2	PB020127	3
G3207922SG	2	PB020136	3
G3207922SGBR	2	PB020203	3
G3207922SS	2	PB040001	3
G3207922SSBR	2	PB040017	3
G3207922VB	2	PB040018	3
G3207922VBBR	2	PB040160	1
G3207922WH	2	PB040238	1



PB050077 1
PB060030 3
PB060080 3
PB070014 2
PB070031 3
PB070145 2
PC020003 2, 3
PC030007 3
PC030017 3
PD020032 2
PE010016 2
PE010017 2
PE010079 2
PE010080 2
PE010081 1
PE010082 1
PE030001PVD 2
PE030117 2
PE030117PVD 2
PE050005 3
PE050016 1
PE050017 1
PE050023 1
PE050024 1
PE060007 2
PE060008 2
PE060018 2
PK000007 1
PK000008 1
PK000009 1
PK000010 1