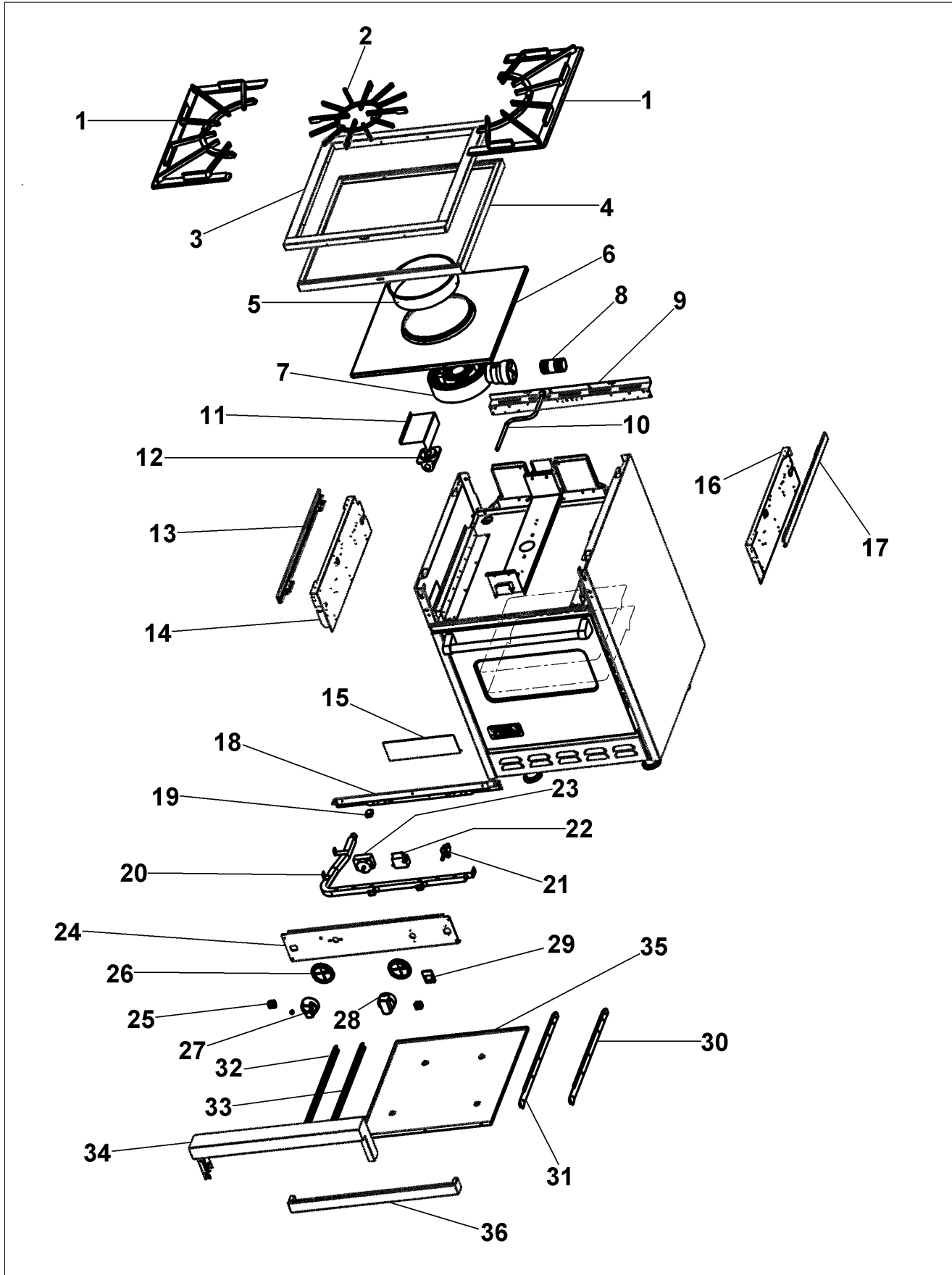


VGIC245K

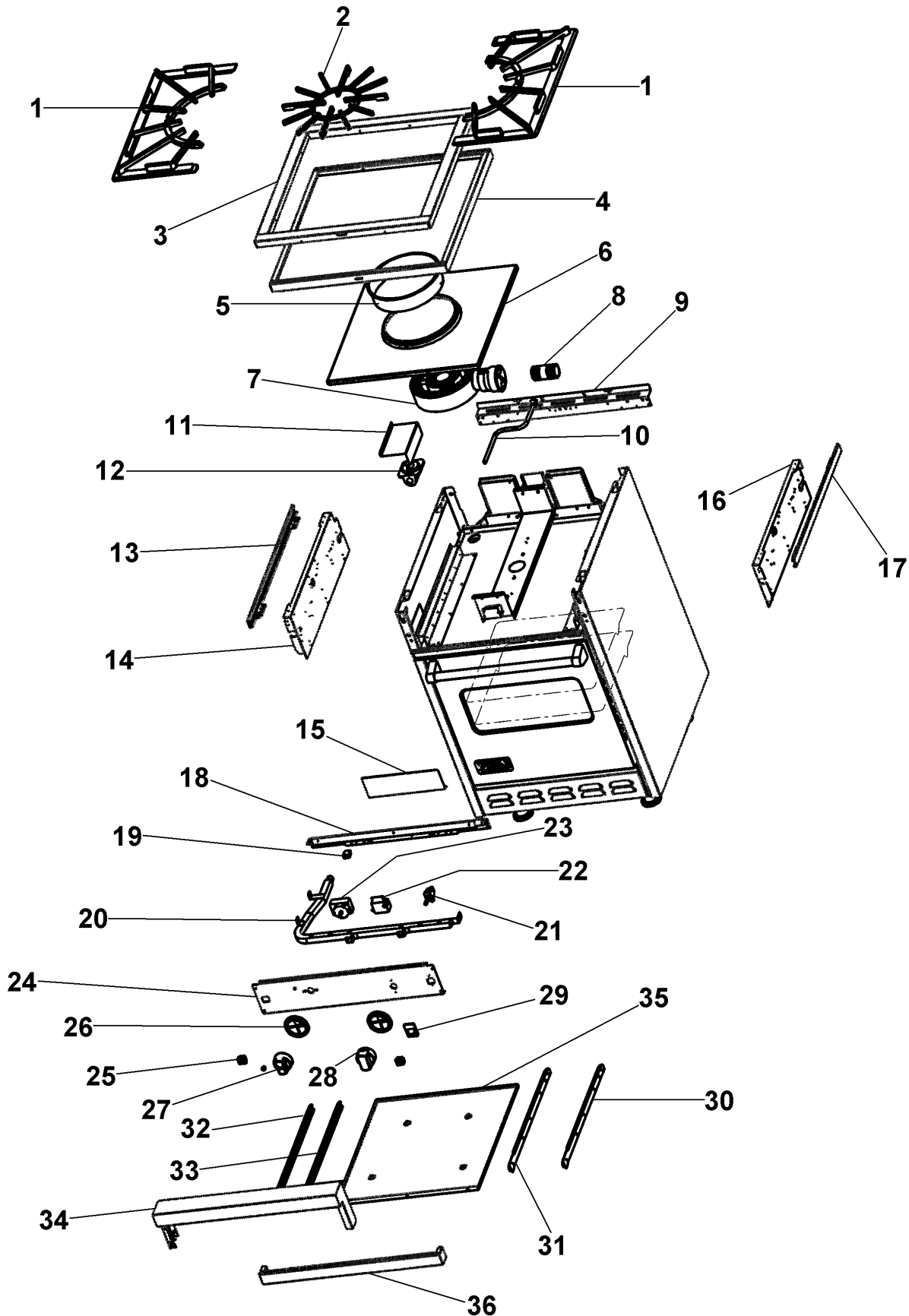
BURNER BOX ASSY	1
DOOR ASSY	2
FUNCTIONAL PARTS	3
OVEN ASSY	4
Appendix A:Pages Index	A
Appendix B:Parts Index	B

BURNER BOX ASSY



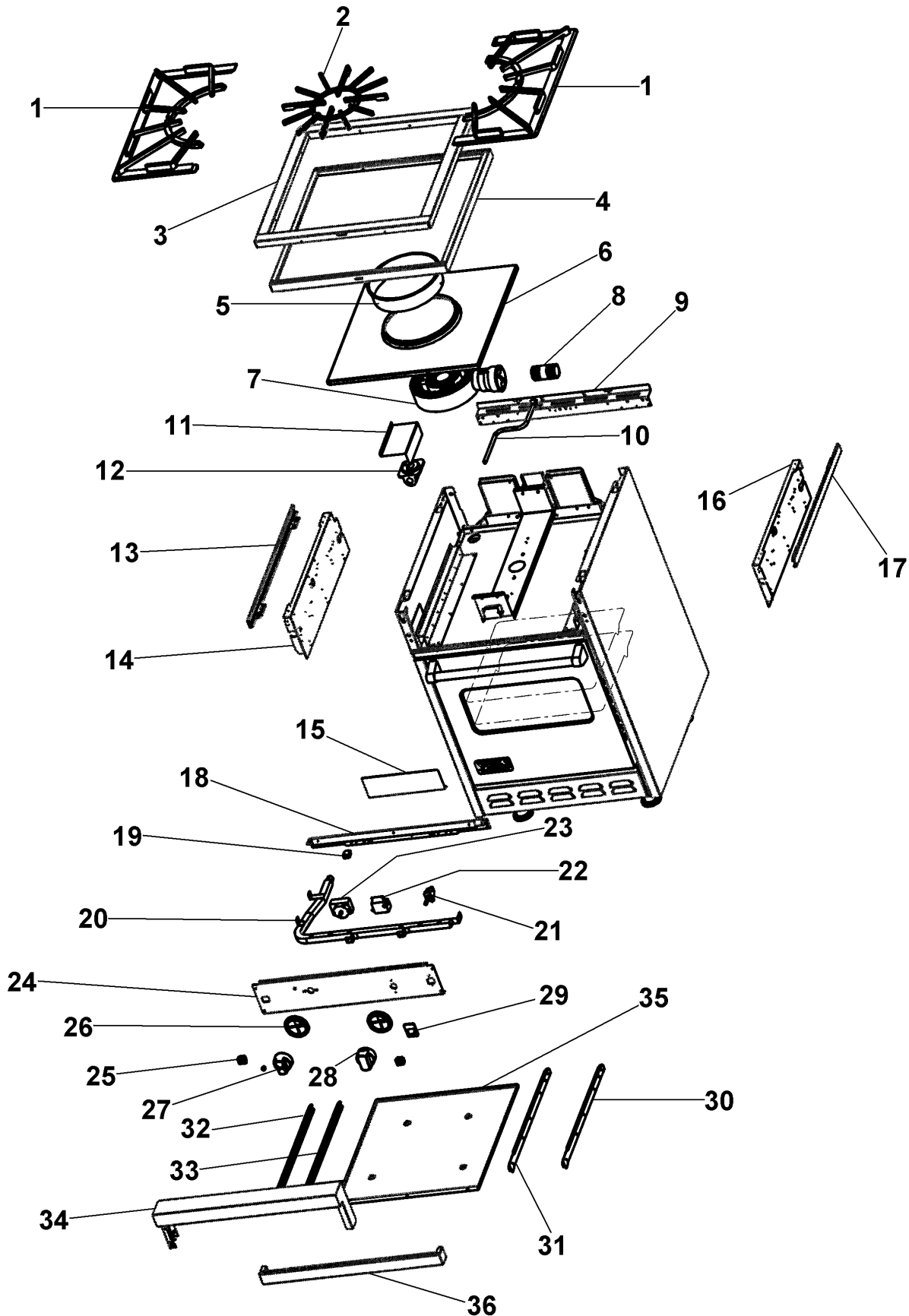


Item	Part No.	Name	Qty	Uom	NOTES
NI	PM010043	CARBON STEEL WOK	1	EA	
NI	PM010044	WOK LID FOR PM010043	1	EA	
NI	PB040160	WOK IGNITER	1	EA	
1	008519-000	WOK GRATE (2 PIECES)	1	EA	
2	PA060044	CENTER GRATE (24" WOK)	1	EA	
3	G9104108AL	GRATE SUPPORT FRAME *AL*	1	EA	NO LONGER AVAILABLE, Not available online / Call for pricing and availability
Not Shown	G9104108	GRATE SUPPORT FRAME (WELD ASSY)	1	EA	
Not Shown	G9104108BT	GRATE SUPPORT FRAME *BT*	1	EA	
Not Shown	G9104108BU	GRATE SUPPORT FRAME *BU*	1	EA	NO LONGER AVAILABLE, Not available online / Call for pricing and availability
Not Shown	G9104108CB	GRATE SUPPORT FRAME *CB*	1	EA	NO LONGER AVAILABLE, Not available online / Call for pricing and availability
Not Shown	G9104108EP	GRATE SUPPORT FRAME *EP*	1	EA	NO LONGER AVAILABLE, Not available online / Call for pricing and availability
Not Shown	G9104108FG	GRATE SUPPORT FRAME *FG*	1	EA	NO LONGER AVAILABLE, Not available online / Call for pricing and availability
Not Shown	G9104108GG	GRATE SUPPORT FRAME *GG	1	EA	NO LONGER AVAILABLE, Not available online / Call for pricing and availability
Not Shown	G9104108LE	GRATE SUPPORT FRAME *LE*	1	EA	NO LONGER AVAILABLE, Not available online / Call for pricing and availability
Not Shown	G9104108MJ	GRATE SUPPORT FRAME *MJ*	1	EA	NO LONGER AVAILABLE, Not available online / Call for pricing and availability



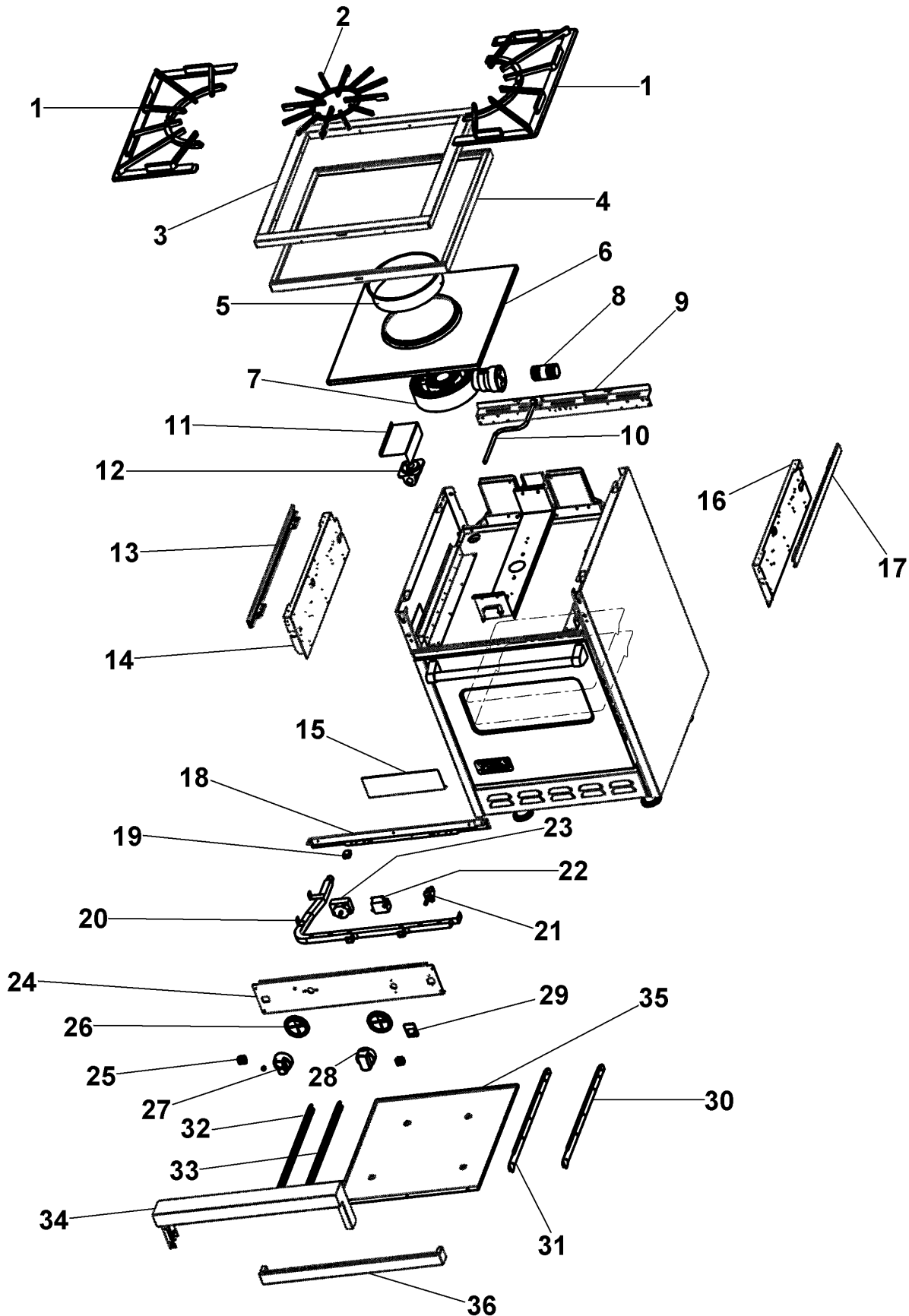


Item	Part No.	Name	Qty	Uom	NOTES
Not Shown	G9104108SG	GRATE SUPPORT FRAME *SG*	1	EA	NO LONGER AVAILABLE, Not available online / Call for pricing and availability
Not Shown	G9104108VB	GRATE SUPPORT FRAME *VB*	1	EA	NO LONGER AVAILABLE, Not available online / Call for pricing and availability
Not Shown	G9104108WH	GRATE SUPPORT FRAME *WH*	1	EA	NO LONGER AVAILABLE, Not available online / Call for pricing and availability
4	G9104125	GRATE SUPPORT OUTER FRAME (WELD	1	EA	
Not Shown	G9104125AL	GRATE SUPPORT OUTER FRAME *AL*	1	EA	NO LONGER AVAILABLE, Not available online / Call for pricing and availability
Not Shown	G9104125BT	GRATE SUPPORT OUTER FRAME *BT*	1	EA	NO LONGER AVAILABLE, Not available online / Call for pricing and availability
Not Shown	G9104125BU	GRATE SUPPORT OUTER FRAME *BU*	1	EA	NO LONGER AVAILABLE, Not available online / Call for pricing and availability
Not Shown	G9104125CB	GRATE SUPPORT OUTER FRAME *CB*	1	EA	NO LONGER AVAILABLE, Not available online / Call for pricing and availability
Not Shown	G9104125EP	GRATE SUPPORT OUTER FRAME *EP*	1	EA	NO LONGER AVAILABLE, Not available online / Call for pricing and availability
Not Shown	G9104125FG	GRATE SUPPORT OUTER FRAME *FG*	1	EA	NO LONGER AVAILABLE, Not available online / Call for pricing and availability
Not Shown	G9104125GG	GRATE SUPPORT OUTER FRAME *GG*	1	EA	NO LONGER AVAILABLE, Not available online / Call for pricing and availability





Item	Part No.	Name	Qty	Uom	NOTES
Not Shown	G9104125LE	GRATE SUPPORT OUTER FRAME *LE*	1	EA	NO LONGER AVAILABLE, Not available online / Call for pricing and availability
Not Shown	G9104125MJ	GRATE SUPPORT OUTER FRAME *MJ*	1	EA	NO LONGER AVAILABLE, Not available online / Call for pricing and availability
Not Shown	G9104125SG	GRATE SUPPORT OUTER FRAME *SG*	1	EA	NO LONGER AVAILABLE, Not available online / Call for pricing and availability
Not Shown	G9104125VB	GRATE SUPPORT OUTER FRAME *VB*	1	EA	NO LONGER AVAILABLE, Not available online / Call for pricing and availability
Not Shown	G9104125WH	GRATE SUPPORT OUTER FRAME *WH*	1	EA	NO LONGER AVAILABLE, Not available online / Call for pricing and availability
5	PB030004	GRATE SUPPORT RING (VGWT)	1	EA	
6	B2004110	GRTATE SUTP CENTER	1	EA	
7	PA080038	WOK BURNER (24")	1	EA	NO LONGER AVAILABLE
8	PB040148	WOK VENTURI PIPE (24" WOK)	1	EA	NO LONGER AVAILABLE, Not available online / Call for pricing and availability
9	A2007672	REAR BURNER SUPPORT, VGIC245	1	EA	
10	PB020113	3/8 SS FLEX TUBING - 52" T6-52	1	EA	
11	A2009765	REGULATOR HEAT SHIELD, VGIC245K	1	EA	NO LONGER AVAILABLE, Not available online / Call for pricing and availability
12	PA070003	PRESSURE REGULATOR	1	EA	
13	024152-000	TRIM, SIDE, LH	1	EA	
Not Shown	C9308454BR	SIDE TRIM LH, VGIC245 *BR*	1	EA	NO LONGER AVAILABLE, Not available online / Call for pricing and availability





Item	Part No.	Name	Qty	Uom	NOTES
14	A2001912	BURNER BOX SIDE LH	1	EA	
15	A2009767	SPARK MODULE HEAT SHIELD, VGIC245K	1	EA	NO LONGER AVAILABLE, Not available online / Call for pricing and availability
16	A2001911	BURNER BOX SIDE RH	1	EA	
17	024153-000	TRIM, SIDE, RH	1	EA	Not available online / Call for pricing and availability
Not Shown	C9308455BR	SIDE TRIM RH, VGIC245 *BR*	1	EA	NO LONGER AVAILABLE, Not available online / Call for pricing and availability
18	A2007921	FRONT BURNER SUPPORT, VGIC245	1	EA	NO LONGER AVAILABLE, Not available online / Call for pricing and availability
19	PE050024	OVEN IND. LIGHT (LIGHT HOUSING)	1	EA	

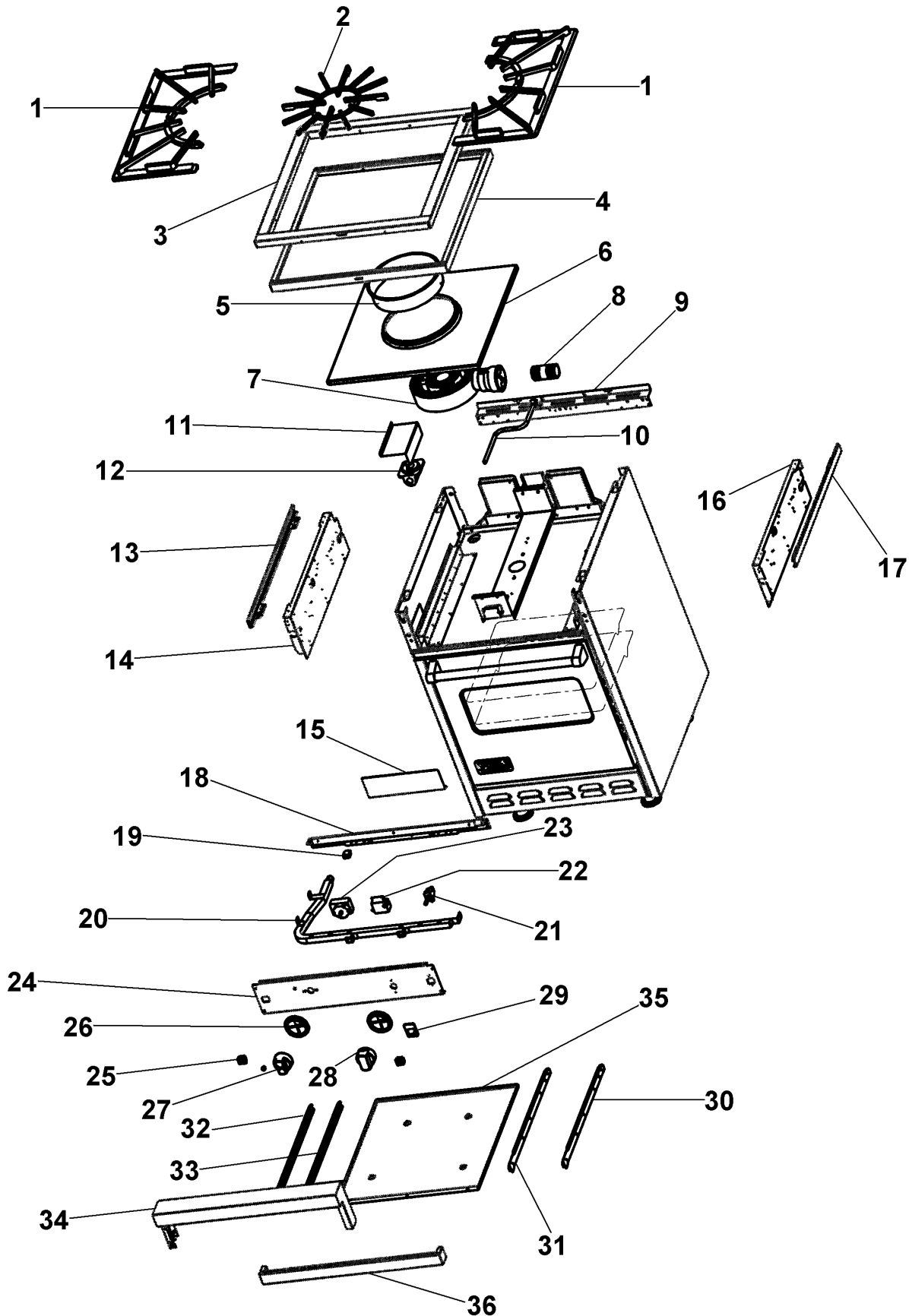
Comments for Part Num. PE050024

haarnink@vikingrange.com on Jan 14, 2019

please note that the indicator light is now part 043135-000 but needs the Jumper harness 051443-000. and second option there are units in the field with a 230V indicator light part number 036566-000.

please check this for all "E" module ranges/Tops

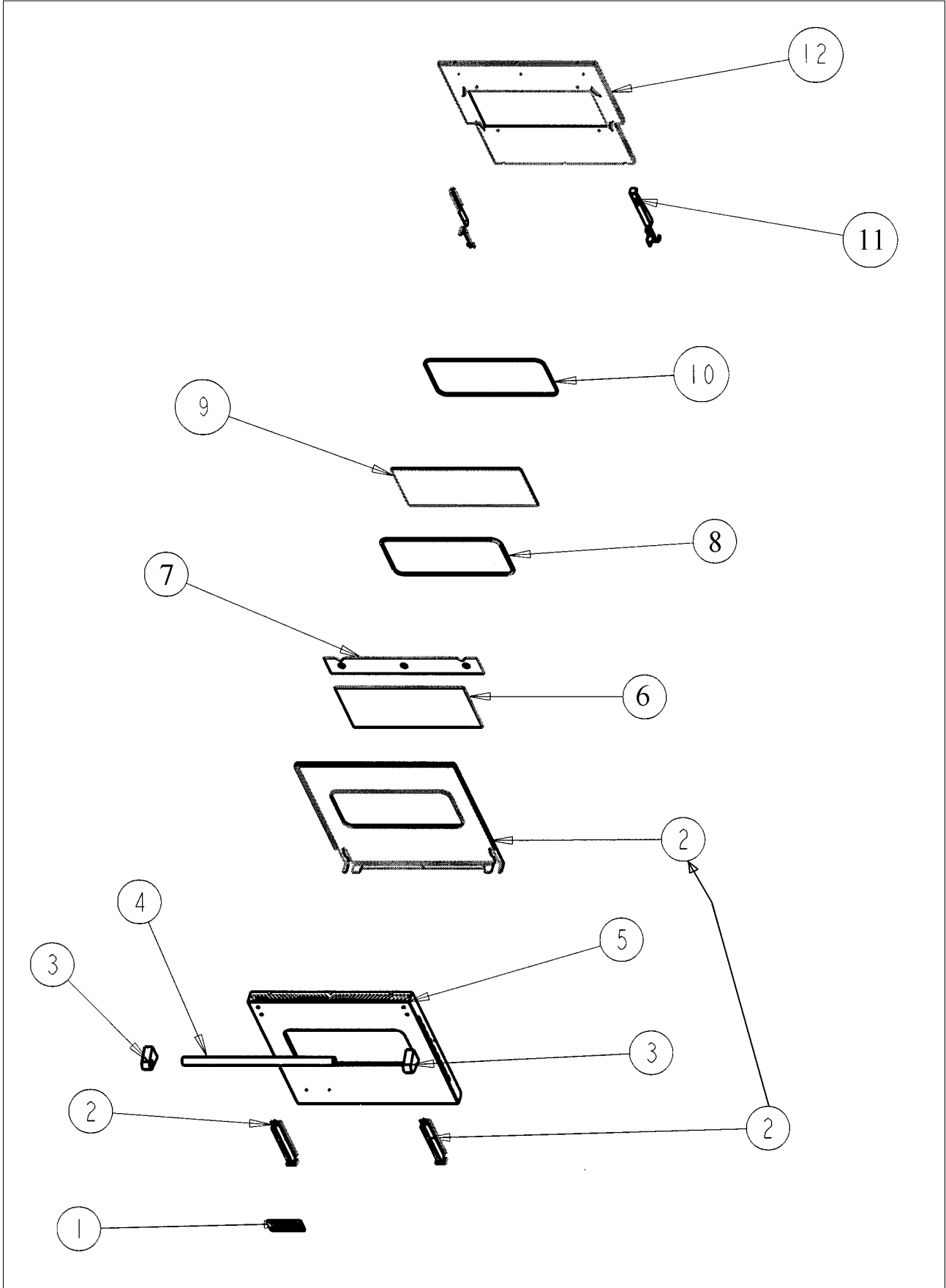
20	PA050096	MANIFOLD	1	EA	Not available online / Call for pricing and availability
21	PA010030	GRILL VALVE-(VGRT)	1	EA	
22	PA020037	SINGLE MODULE 120V	1	EA	
23	PB010036	THERMOSTAT BAKE/BROIL	1	EA	
24	B9209768	CONTROL PANEL VGIC245K	1	EA	Not available online / Call for pricing and availability
25	PE050016	OVEN LIGHT SWITCH - *BK* (WES-GAR)	1	EA	
Not Shown	PE050017	OVEN LIGHT SWITCH - *WH* (WES-GAR)	1	EA	
26	050172-000	BEZEL, KNOB	1	EA	





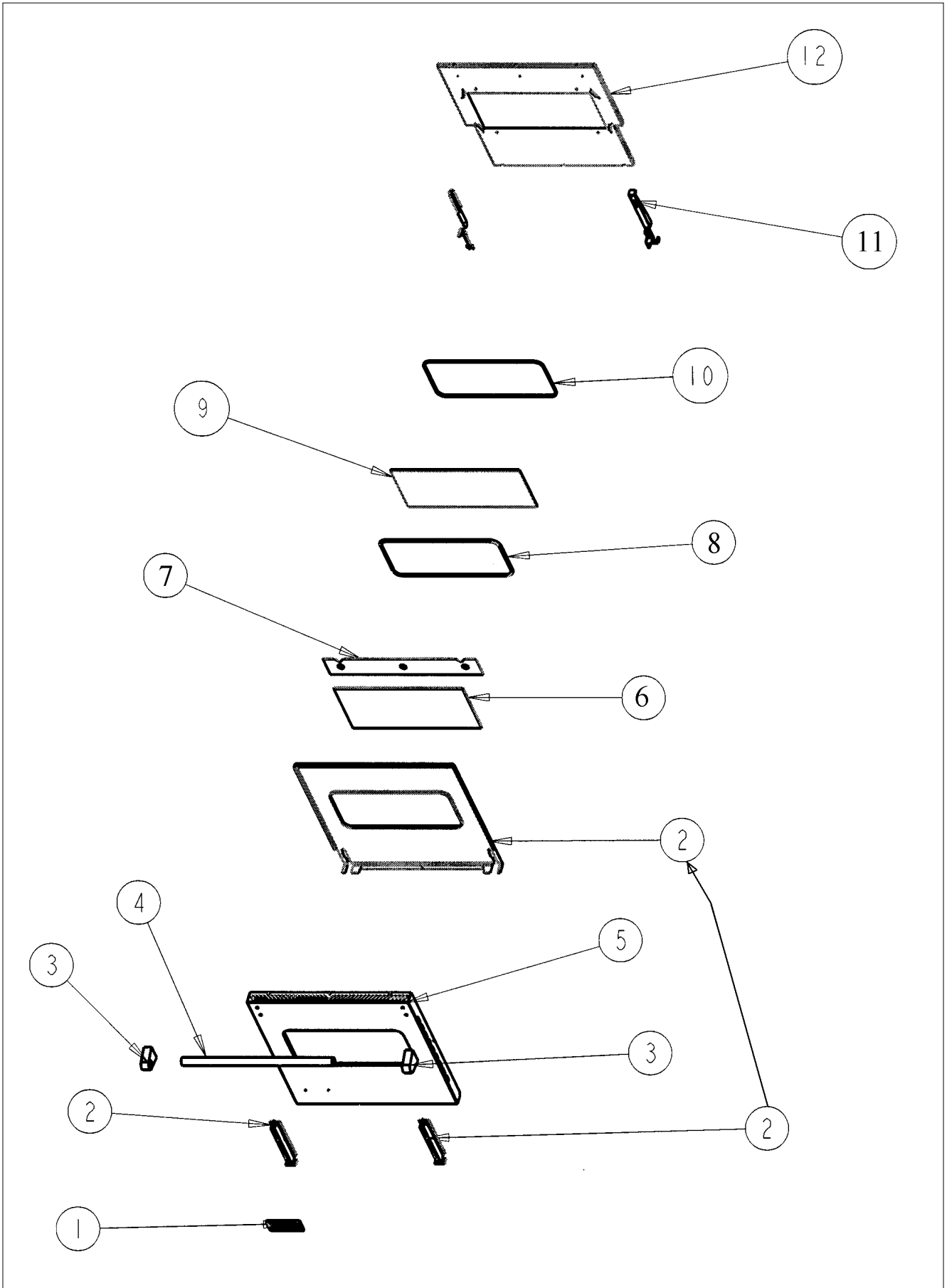
Item	Part No.	Name	Qty	Uom	NOTES
Not Shown	PB010209	Bezel - BR	1	EA	
27	PB010099	T/STAT B/B KNOB BK REPL PB010039BK*	1	EA	
<p>Comments for Part Num. PB010099</p> <p>imardr@att.net on Nov 8, 2015 need to list the white knob for a VGIC3054BWH Reply by bradleysapplianceservice@shaw.ca on Sep 30, 2016 The White Knobs are NLA. Only Black are available. bradleysapplianceservice@shaw.ca on Sep 30, 2016 THE WHITE KNOBS ARE NLA. ONLY BLACK KNOBS ARE AVAILABLE.</p>					
Not Shown	PB010100	THERMOSTAT BAKE/BROIL KNOB *WH* N/S	1	EA	
28	PA010122	VGRC/IC/RT GRILL KNOB (BK)	1	EA	
Not Shown	PA010123	VGRC/IC/RT GRILL KNOB (WH)	1	EA	
29	PE010081	CONVECTION-LABEL/PLATE (CHROME)	1	EA	
Not Shown	PE010082	CONVECTION-LABEL/PLATE (*BR*)	1	EA	
30	PK000008	Drip Tray Guide - RH	1	EA	NO LONGER AVAILABLE
31	PK000010	RUNNER, DRIP TRAY - RH (VGRT)	1	EA	
32	PK000007	DRIP TRAY GUIDE - LH (VGRT)	1	EA	NO LONGER AVAILABLE
33	PK000009	Drip Tray Guide - LH	1	EA	
34	G3002719	LANDING LEDGE ASSY (VCCGG4)	1	EA	
35	B2002708	DRIP TRAY (VCCGG4)	1	EA	NO LONGER AVAILABLE, Not available online / Call for pricing and availability
36	G3009528	DRIP TRAY HANDLE ASSY 24"	1	EA	NO LONGER AVAILABLE
Not Shown	G9309533PVD	DRIP TRAY HANDLE ASSY. 24" BRASS	1	EA	

DOOR ASSY



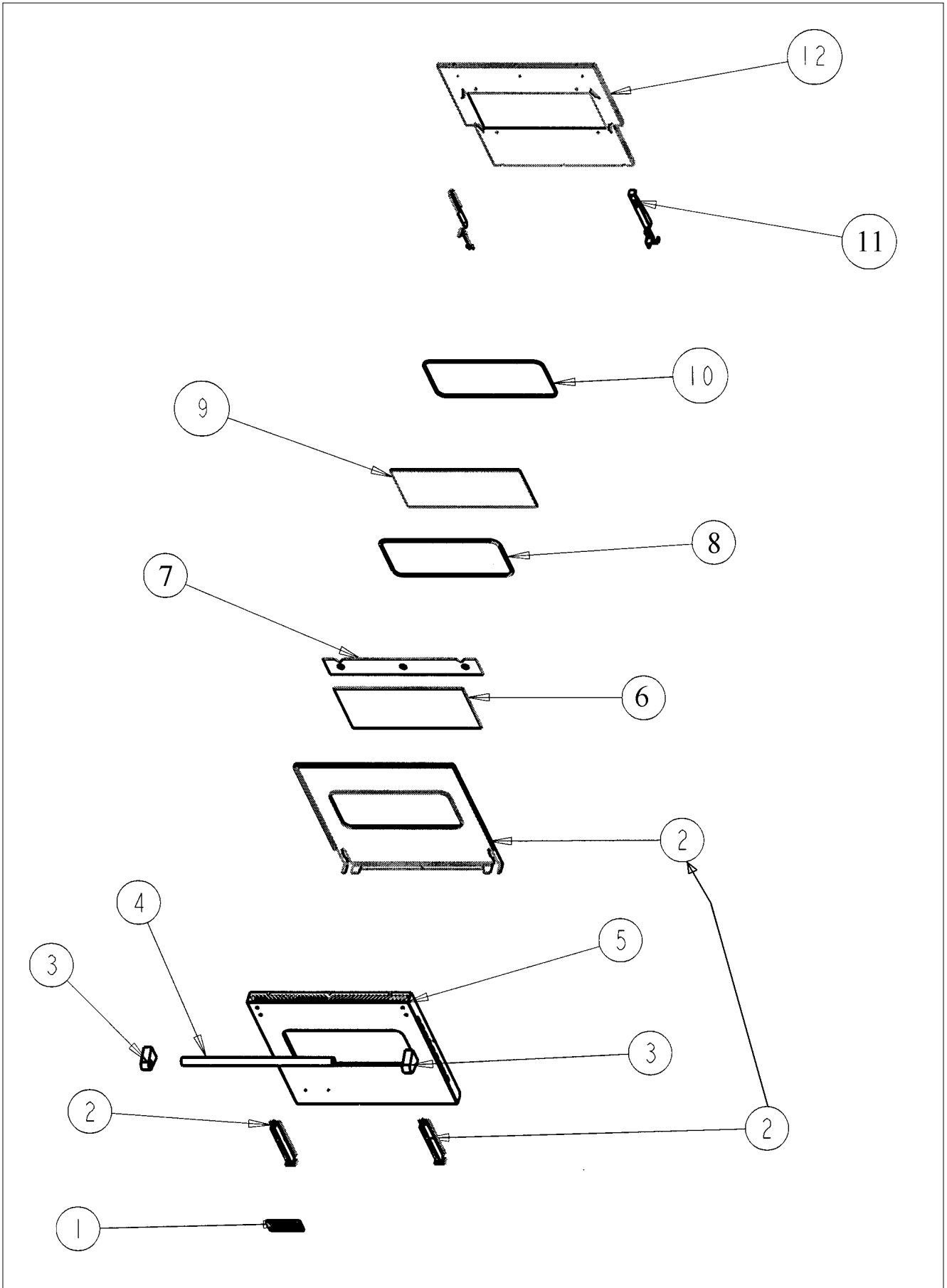


Item	Part No.	Name	Qty	Uom	NOTES
1	PE010016	LOGO (ALL RANGES) *BK/CHR 307997W	1	EA	
Not Shown	PE010079	4.5" LOGO/VIKING PROF *BK/BR	1	EA	
Not Shown	PE010017	LOGO (VGSO,VEDO,VGDO,VUD) *WH/CHR	1	EA	
Not Shown	PE010080	4.5" LOGO/VIKING PROF *WH/BR	1	EA	
2	G9107949	OVEN DOOR LINER ASSY., VGIC245	1	EA	
3	000268-000	HANDLE ENDCAP	1	EA	
Not Shown	PE030001PVD	END CAP DOOR HANDLE *BR	1	EA	
4	PE030117	HANDLE VGIC 24 INCH	1	EA	
Not Shown	PE030117PVD	HANDLE VGIC 24 INCH BRASS	1	EA	NO LONGER AVAILABLE
5	B2007925	OUTSIDE DOOR PANEL SS, VGIC245	1	EA	
Not Shown	C9007925AL	O/S DOOR PANEL - AL	1	EA	Not available online / Call for pricing and availability
Not Shown	C9007925BK	O/S DOOR PANEL VGIC245 *BK*	1	EA	Not available online / Call for pricing and availability
Not Shown	C9007925BT	O/S DOOR PANEL - BT	1	EA	Not available online / Call for pricing and availability
Not Shown	C9007925BU	O/S DOOR PANEL - BU	1	EA	
Not Shown	C9007925CB	O/S DOOR PANEL VGIC245 *CB*	1	EA	NO LONGER AVAILABLE, Not available online / Call for pricing and availability
Not Shown	C9007925EP	O/S DOOR PANEL - EP	1	EA	Not available online / Call for pricing and availability
Not Shown	C9007925FG	O/S DOOR PANEL - FG	1	EA	Not available online / Call for pricing and availability



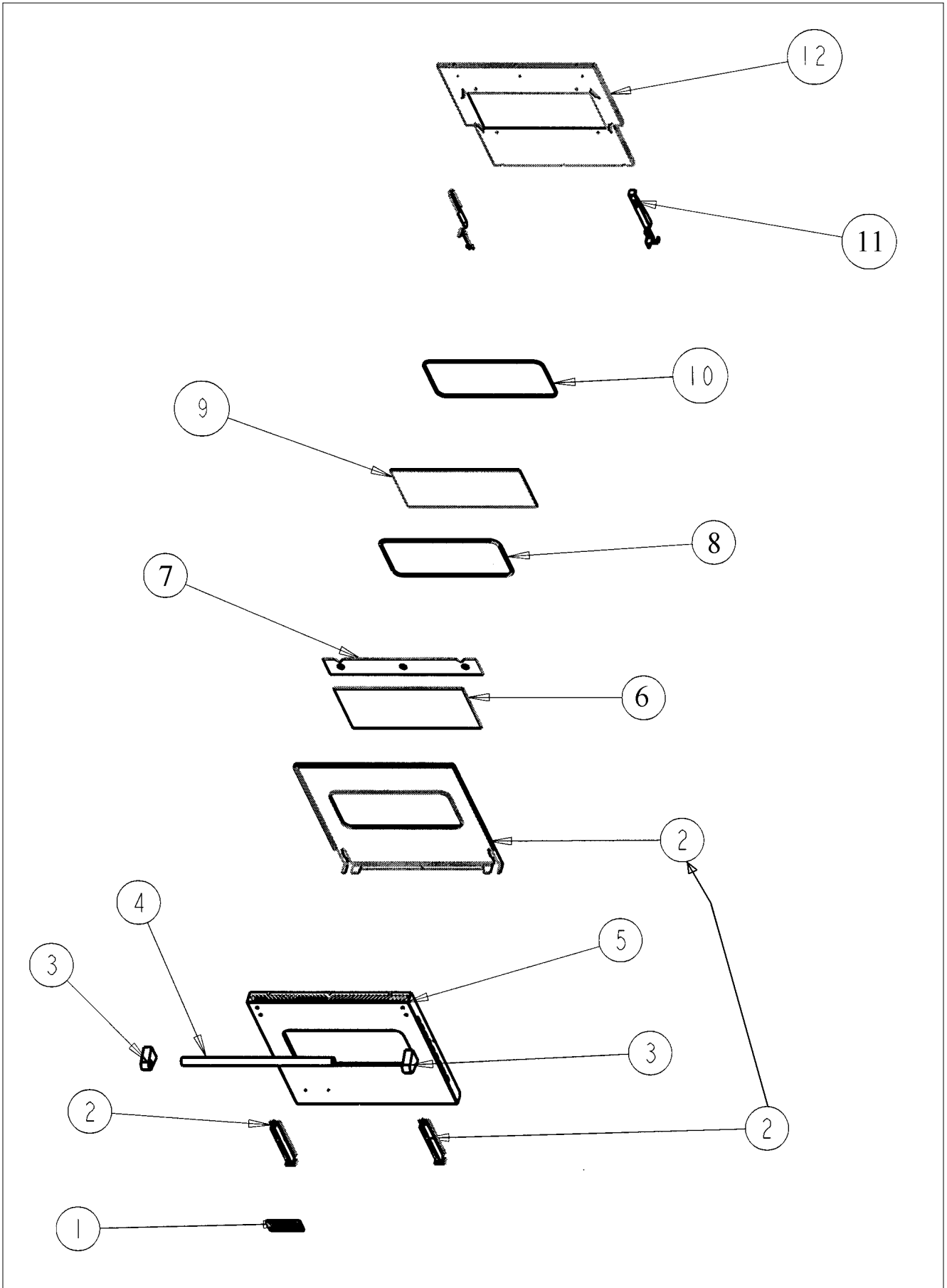


Item	Part No.	Name	Qty	Uom	NOTES
Not Shown	C9007925GG	O/S DOOR PANEL - GG	1	EA	Not available online / Call for pricing and availability
Not Shown	C9007925LE	O/S DOOR PANEL VGIC245 *LE*	1	EA	
Not Shown	C9007925MJ	O/S DOOR PANEL - MJ	1	EA	Not available online / Call for pricing and availability
Not Shown	C9007925SG	O/S DOOR PANEL - SG	1	EA	Not available online / Call for pricing and availability
Not Shown	C9007925VB	O/S DOOR PANEL VGIC245 *VB*	1	EA	
Not Shown	C9007925WH	O/S DOOR PANEL VGIC245 *WH*	1	EA	NO LONGER AVAILABLE, Not available online / Call for pricing and availability
6	PE060018	OVEN GLASS-TEMPERED,SCREENED*BK*	1	EA	
7	A1007947	DOOR HEAT BAFFLE	1	EA	Not available online / Call for pricing and availability
8	PE060007	J-MOLD (1" RADIUS)	1	EA	
9	PE060008	GLASS REPL PE060009	1	EA	
10	PB070014	DOOR GLASS SEAL STRIP - WINDOW DRS.	1	EA	
11	PC020003	HINGE ASSY (BLUE)	1	EA	
12	A2007948	DOOR INSULATION RETAINER, VGIC245	1	EA	
NI	A2007946	DOOR GLASS BRACKET	1	EA	Not available online / Call for pricing and availability
NI	PB070145	SUPERWOOL 5" X 24" X 3'	1	EA	
NI	PD020032	SRW-8(A)X3/8"PH.WFR HD 7/16DIA*NICL	1	EA	
NI	G3207922AL	COMPLETE DOOR ASSEMBLY - AL	1	EA	Not available online / Call for pricing and availability



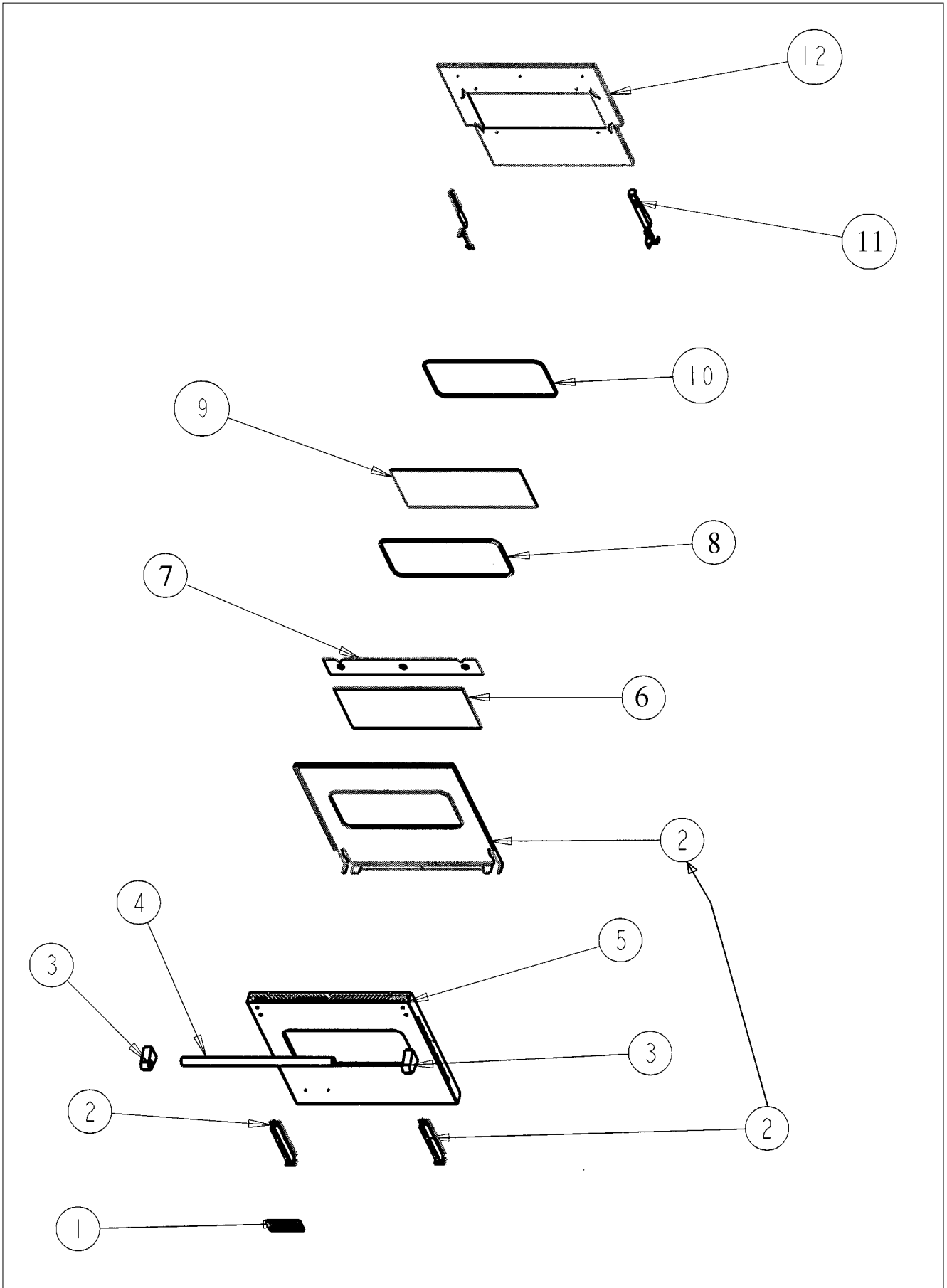


Item	Part No.	Name	Qty	Uom	NOTES
Not Shown	G3207922ALBR	COMPLETE DOOR ASSEMBLY - ALBR	1	EA	Not available online / Call for pricing and availability
Not Shown	G3207922BK	COMPLETE DOOR ASSEMBLY - BK	1	EA	Not available online / Call for pricing and availability
Not Shown	G3207922BKBR	COMPLETE DOOR ASSEMBLY - BKBR	1	EA	Not available online / Call for pricing and availability
Not Shown	G3207922BT	COMPLETE DOOR ASSEMBLY - BT	1	EA	Not available online / Call for pricing and availability
Not Shown	G3207922BTBR	COMPLETE DOOR ASSEMBLY - BTBR	1	EA	Not available online / Call for pricing and availability
Not Shown	G3207922BU	COMPLETE DOOR ASSEMBLY - BU	1	EA	Not available online / Call for pricing and availability
Not Shown	G3207922BUBR	COMPLETE DOOR ASSEMBLY - BUBR	1	EA	
Not Shown	G3207922CB	COMPLETE DOOR ASSEMBLY - CB	1	EA	Not available online / Call for pricing and availability
Not Shown	G3207922CBBR	COMPLETE DOOR ASSEMBLY - CBBR	1	EA	Not available online / Call for pricing and availability
Not Shown	G3207922EP	COMPLETE DOOR ASSEMBLY - EP	1	EA	Not available online / Call for pricing and availability
Not Shown	G3207922EPBR	COMPLETE DOOR ASSEMBLY - EPBR	1	EA	Not available online / Call for pricing and availability
Not Shown	G3207922FG	COMPLETE DOOR ASSEMBLY - FG	1	EA	Not available online / Call for pricing and availability
Not Shown	G3207922FGBR	COMPLETE DOOR ASSEMBLY - FGBR	1	EA	Not available online / Call for pricing and availability





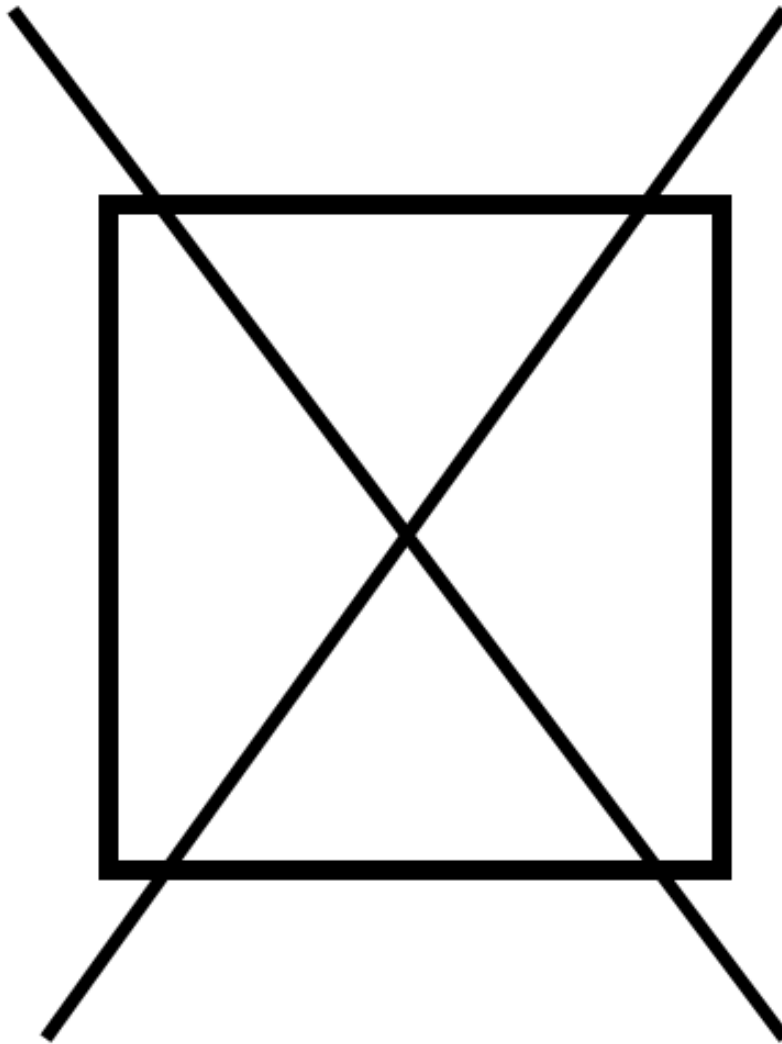
Item	Part No.	Name	Qty	Uom	NOTES
Not Shown	G3207922GG	COMPLETE DOOR ASSEMBLY - GG	1	EA	Not available online / Call for pricing and availability
Not Shown	G3207922GGBR	COMPLETE DOOR ASSEMBLY - GGBR	1	EA	Not available online / Call for pricing and availability
Not Shown	G3207922LE	COMPLETE DOOR ASSEMBLY - LE	1	EA	Not available online / Call for pricing and availability
Not Shown	G3207922LEBR	COMPLETE DOOR ASSEMBLY - LEBR	1	EA	Not available online / Call for pricing and availability
Not Shown	G3207922MJ	COMPLETE DOOR ASSEMBLY - MJ	1	EA	Not available online / Call for pricing and availability
Not Shown	G3207922MJBR	COMPLETE DOOR ASSEMBLY - MJBR	1	EA	Not available online / Call for pricing and availability
Not Shown	G3207922SG	COMPLETE DOOR ASSEMBLY - SG	1	EA	Not available online / Call for pricing and availability
Not Shown	G3207922SGBR	COMPLETE DOOR ASSEMBLY - SGBR	1	EA	Not available online / Call for pricing and availability
Not Shown	G3207922SS	DOOR ASSY *SS*, VGIC245	1	EA	Not available online / Call for pricing and availability
Not Shown	G3207922SSBR	COMPLETE DOOR ASSEMBLY - SSBR	1	EA	Not available online / Call for pricing and availability
Not Shown	G3207922VB	COMPLETE DOOR ASSEMBLY - VB	1	EA	Not available online / Call for pricing and availability
Not Shown	G3207922VBBR	COMPLETE DOOR ASSEMBLY - VBBR	1	EA	Not available online / Call for pricing and availability
Not Shown	G3207922WH	COMPLETE DOOR ASSEMBLY - WH	1	EA	Not available online / Call for pricing and availability





Item	Part No.	Name	Qty	Uom	NOTES
Not Shown	G3207922WHBR	COMPLETE DOOR ASSEMBLY - WHBR	1	EA	Not available online / Call for pricing and availability

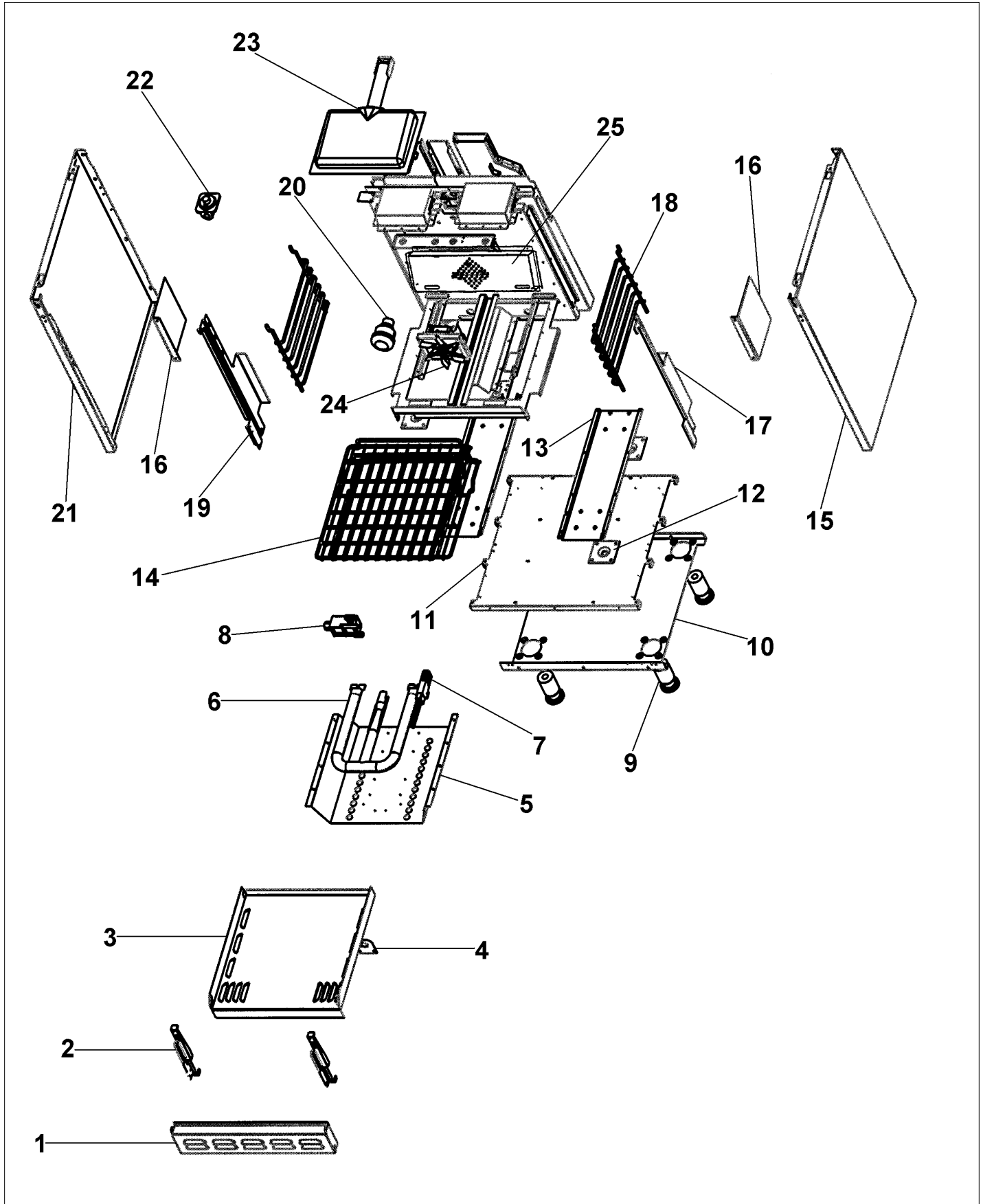
NON
ILLUSTRATED PART





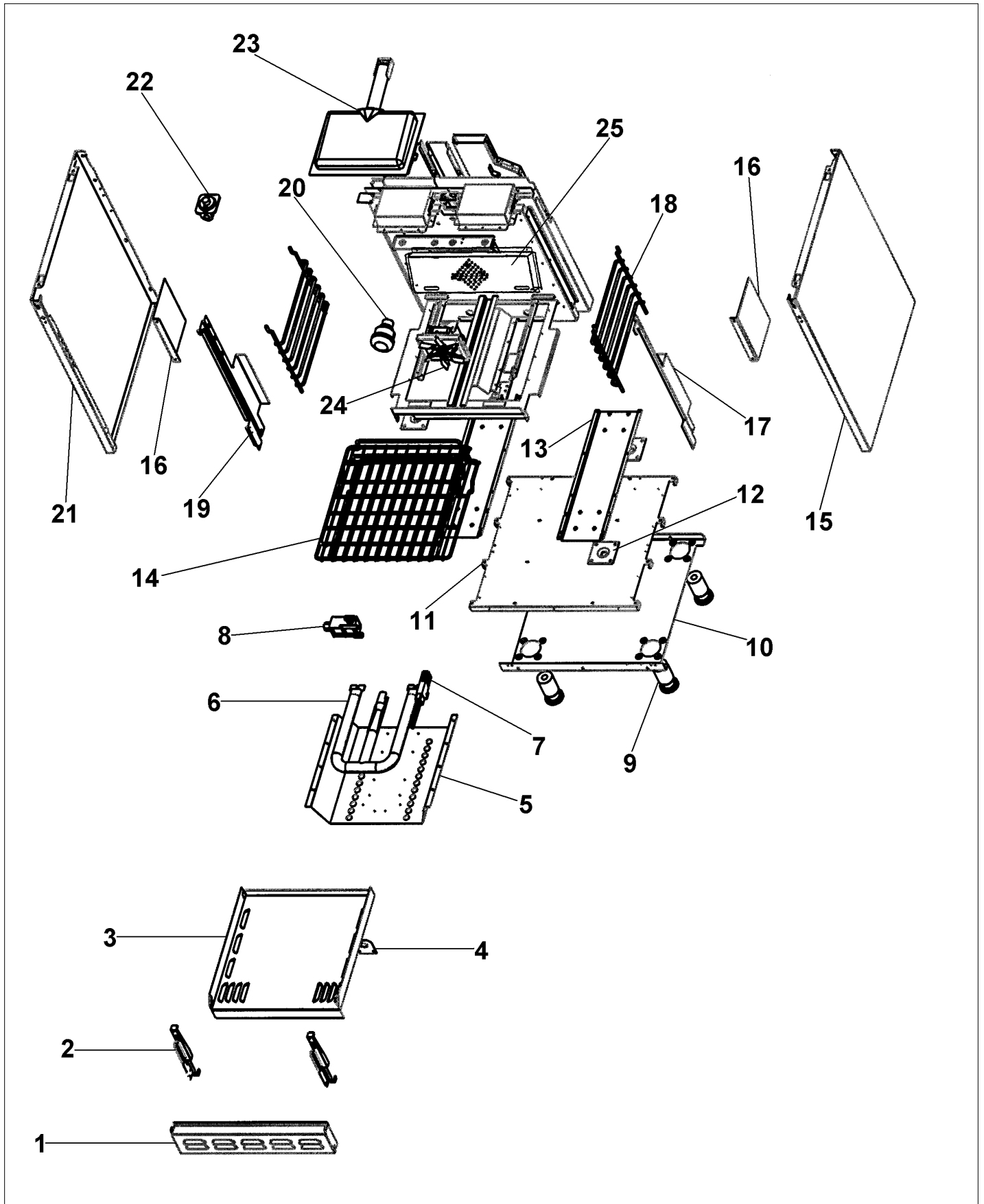
Item	Part No.	Name	Qty	Uom	NOTES
1	006197-000	U-SHAPE BAKE BURNER 8"	1	EA	
2	PE050005	CONVECTION FAN ASSY	1	EA	
3	PB010084	DUAL THERMAL BI-MTL GAS CTRL VALVE	1	EA	
4	PA010030	GRILL VALVE-(VGRT)	1	EA	
5	G3001876	IR BURNER ASSY (VGSC/RC) N/S	1	EA	
6	PB040001	Igniter	1	EA	
7	PA070003	PRESSURE REGULATOR	1	EA	
8	PA070003	PRESSURE REGULATOR	1	EA	
9	PA020037	SINGLE MODULE 120V	1	EA	
10	PB010036	THERMOSTAT BAKE/BROIL	1	EA	
11	PA080038	WOK BURNER (24")	1	EA	NO LONGER AVAILABLE
12	PB040160	WOK IGNITER	1	EA	

OVEN ASSY



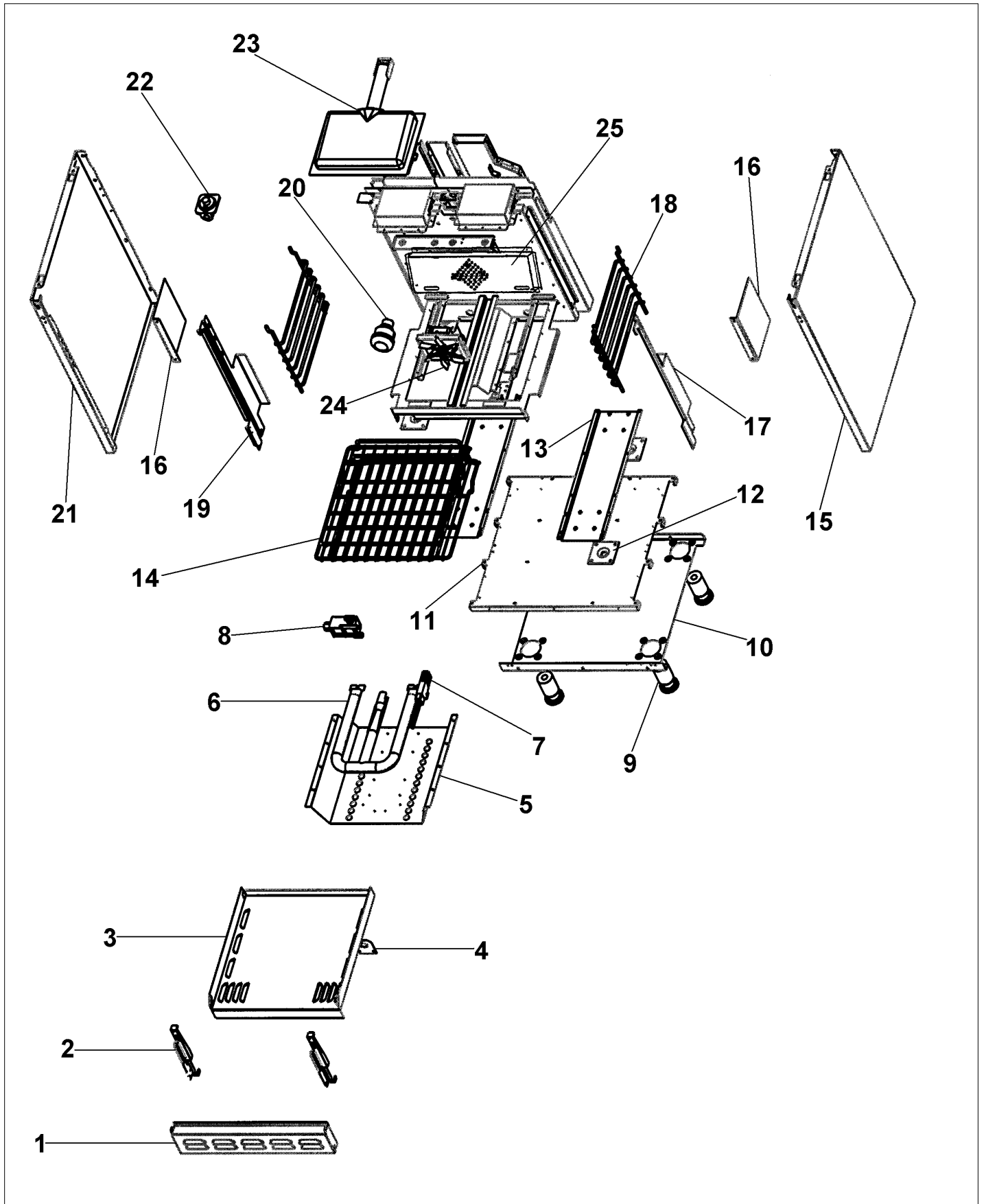


Item	Part No.	Name	Qty	Uom	NOTES
1	B2007987	LOWER ACCESS PANEL, VGIC245	1	EA	
Not Shown	C9007987CH	LOWER ACCESS PANEL, VGIC245 *CH*	1	EA	
2	PC020003	HINGE ASSY (BLUE)	1	EA	
#	PB020113	3/8 SS FLEX TUBING - 52" T6-52	1	EA	
#	PB020116	TUBING - 10" FLEXIBLE 12 & 24"	1	EA	
#	PB020127	3/8" S.S. FLEX TUBING 20" (DGPU)	1	EA	
#	PB020136	44" 3/8 S.S. FLEX TUBING T6-44	1	EA	
3	G9107670	OVEN BOTTOM ASSY., VGIC245 (DOESN'T INCLUDE HEAT SHIELD, MUST ORDER HEAT SHIELD SEPARATELY)	1	EA	
NI	A2002269	OVEN BTM HEAT SHIELD	1	EA	
<p>Comments for Part Num. A2002269</p> <p>gboltz@VikingRange.com on Aug 9, 2016</p> <p>DO NOT ORDER JUST HEAT SHIELD ORDER BTM OVEN PANEL ASSY ONLY</p>					
NI	008026-000	SCREW, TEK, #6-20 x 3/8, S.S.	8	EA	
4	A1008487	SERVICE DISCONNECT BRACKET	1	EA	
5	A2007678	AIR PLATE	1	EA	Not available online / Call for pricing and availability
6	006197-000	U-SHAPE BAKE BURNER 8"	1	EA	
7	PB040001	Igniter	1	EA	
8	PB010084	DUAL THERMAL BI-MTL GAS CTRL VALVE	1	EA	
9	PC030017	4" LEG ASSY	1	EA	
10	A2007665	MAIN BOTTOM	1	EA	Not available online / Call for pricing and availability
11	A2007666	BOTTOM INSULATION SHIELD	1	EA	Not available online / Call for pricing and availability
12	PC030007	LEG PLATE - 3/4" THREADED HOLE	1	EA	

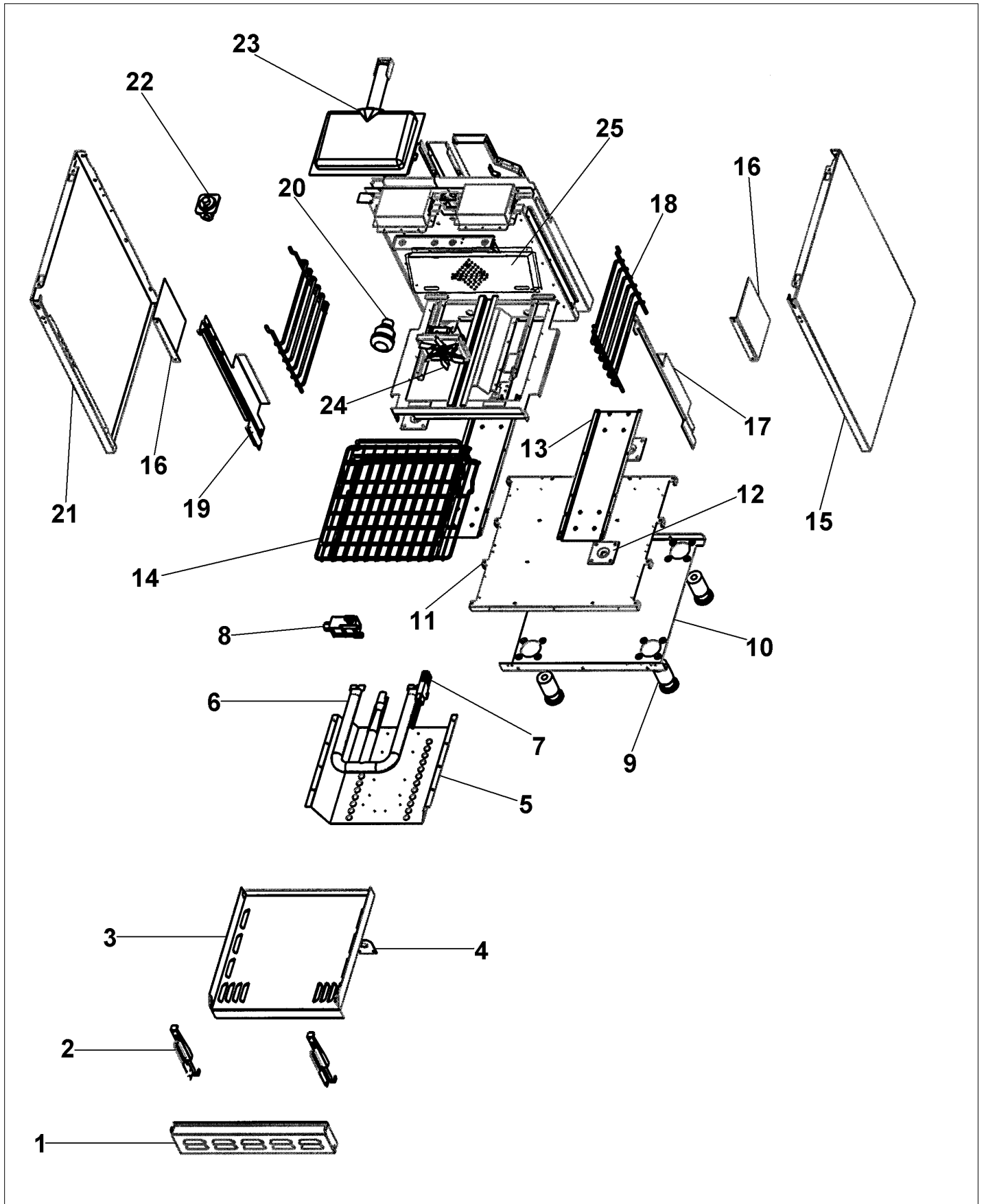




Item	Part No.	Name	Qty	Uom	NOTES
13	A2001351	LEG BRACE (VGSC/VGSS) 30"	1	EA	NO LONGER AVAILABLE, Not available online / Call for pricing and availability
14	PB060080	OVEN RACK VGIC 24 INCH	1	EA	
15	B2002597	O/S BODY PANEL - RH (SS)	1	EA	
Not Shown	C9002597AL	O/S BODY PANEL-RH *AL* (VDSC)	1	EA	NO LONGER AVAILABLE, Not available online / Call for pricing and availability
Not Shown	C9002597BK	BODY PNL RH BK REPL C9001921BK	1	EA	
Not Shown	C9002597BT	O/S BODY PANEL-RH *BT* (VDSC)	1	EA	NO LONGER AVAILABLE
Not Shown	C9002597BU	BODY PNL RH BU REPL C9001921BU	1	EA	Not available online / Call for pricing and availability
Not Shown	C9002597CB	O/S BODY PANEL-RH *CB* (VDSC)	1	EA	NO LONGER AVAILABLE
Not Shown	C9002597EP	O/S BODY PANEL-RH *EP* (VDSC)	1	EA	NO LONGER AVAILABLE
Not Shown	C9002597FG	BODY PNL RH FG REPL C9001921FG	1	EA	NO LONGER AVAILABLE, Not available online / Call for pricing and availability
Not Shown	C9002597GG	BODY PNL RH GG REPL C9001921GG	1	EA	Not available online / Call for pricing and availability
Not Shown	C9002597LE	O/S BODY PANEL-RH *LE* (VDSC)	1	EA	
Not Shown	C9002597MJ	O/S BODY PANEL-RH *MJ* (VDSC)	1	EA	NO LONGER AVAILABLE
Not Shown	C9002597SG	O/S BODY PANEL-RH *SG* (VDSC)	1	EA	NO LONGER AVAILABLE, Not available online / Call for pricing and availability
Not Shown	C9002597VB	BODY PNL RH VB REPL C9001921VB	1	EA	
Not Shown	C9002597WH	BODY PNL RH WH REPL C9001921WH	1	EA	



Item	Part No.	Name	Qty	Uom	NOTES
16	J2002593	Oven Side Heat Sink	1	EA	Not available online / Call for pricing and availability
17	E9101366	LINER EXTENSION RH (VGSC/VGSS)	1	EA	NO LONGER AVAILABLE, Not available online / Call for pricing and availability
18	PB060030	RACK SUPT REPL PB060010	1	EA	
19	E9101367	LINER EXTENSION LH (VGSC/VGSS)	1	EA	NO LONGER AVAILABLE, Not available online / Call for pricing and availability
20	031449-000	LAMP, ASM	1	EA	
21	B2002598	O/S BODY PANEL LH (SS)	1	EA	
Not Shown	C9002598AL	BODY PNL LH 30'REPL C9001922AL	1	EA	NO LONGER AVAILABLE, Not available online / Call for pricing and availability
Not Shown	C9002598BK	BODY PNL LH 30'REPL C9001922BK	1	EA	
Not Shown	C9002598BT	O/S BODY PANEL-LH *BT* (VDSC)	1	EA	NO LONGER AVAILABLE
Not Shown	C9002598BU	BODY PNL LH 30'REPL C9001922BU	1	EA	
Not Shown	C9002598CB	O/S BODY PANEL-LH *CB* (VDSC)	1	EA	Not available online / Call for pricing and availability
Not Shown	C9002598EP	O/S BODY PANEL-LH *EP* (VDSC)	1	EA	NO LONGER AVAILABLE, Not available online / Call for pricing and availability
Not Shown	C9002598FG	BODY PNL LH 30'REPL C9001922FG	1	EA	NO LONGER AVAILABLE, Not available online / Call for pricing and availability
Not Shown	C9002598GG	BODY PNL LH 30'REPL C9001922GG	1	EA	Not available online / Call for pricing and availability
Not Shown	C9002598LE	O/S BODY PANEL-LH *LE* (VDSC)	1	EA	NO LONGER AVAILABLE, Not available online / Call for pricing and availability





Item	Part No.	Name	Qty	Uom	NOTES
Not Shown	C9002598MJ	O/S BODY PANEL-LH *MJ* (VDSC)	1	EA	NO LONGER AVAILABLE
Not Shown	C9002598SG	O/S BODY PANEL-LH *SG* (VDSC)	1	EA	NO LONGER AVAILABLE, Not available online / Call for pricing and availability
Not Shown	C9002598VB	BODY PNL LH 30'REPL C9001922VB	1	EA	NO LONGER AVAILABLE, Not available online / Call for pricing and availability
Not Shown	C9002598WH	BODY PNL LH 30'REPL C9001922WH	1	EA	
22	PA070003	PRESSURE REGULATOR	1	EA	
23	G3001876	IR BURNER ASSY (VGSC/RC) N/S	1	EA	
#	PB040018	IR BURNER ORIFICE SPUD LP (12,500 BTU)	1	EA	
#	PB040017	IR BURNER ORIFICE NAT.(15,000 BTU)	1	EA	
24	PE050005	CONVECTION FAN ASSY	1	EA	
#	PB020203	1/2 NPT MALE/FEM FLEX TUBE	1	EA	Not available online / Call for pricing and availability
#	PB070031	OVEN DR GASKET RH (VGRC48)	1	EA	
25	E9107988	CONVECTION FAN COVER	1	EA	Not available online / Call for pricing and availability
#	003226-000	FJT VALVE - NO NUT/FERRELL	1	EA	



Appendix A:Pages Index

BURNER BOX ASSY 1
DOOR ASSY 2
FUNCTIONAL PARTS3
OVEN ASSY 4



Appendix B:Parts Index

000268-000	2	C9002597MJ	4
003226-000	4	C9002597SG	4
006197-000	3, 4	C9002597VB	4
008026-000	4	C9002597WH	4
008519-000	1	C9002598AL	4
024152-000	1	C9002598BK	4
024153-000	1	C9002598BT	4
031449-000	4	C9002598BU	4
050172-000	1	C9002598CB	4
A1007947	2	C9002598EP	4
A1008487	4	C9002598FG	4
A2001351	4	C9002598GG	4
A2001911	1	C9002598LE	4
A2001912	1	C9002598MJ	4
A2002269	4	C9002598SG	4
A2007665	4	C9002598VB	4
A2007666	4	C9002598WH	4
A2007672	1	C9007925AL	2
A2007678	4	C9007925BK	2
A2007921	1	C9007925BT	2
A2007946	2	C9007925BU	2
A2007948	2	C9007925CB	2
A2009765	1	C9007925EP	2
A2009767	1	C9007925FG	2
B2002597	4	C9007925GG	2
B2002598	4	C9007925LE	2
B2002708	1	C9007925MJ	2
B2004110	1	C9007925SG	2
B2007925	2	C9007925VB	2
B2007987	4	C9007925WH	2
B9209768	1	C9007987CH	4
C9002597AL	4	C9308454BR	1
C9002597BK	4	C9308455BR	1
C9002597BT	4	E9101366	4
C9002597BU	4	E9101367	4
C9002597CB	4	E9107988	4
C9002597EP	4	G3001876	3, 4
C9002597FG	4	G3002719	1
C9002597GG	4	G3009528	1
C9002597LE	4	G3207922AL	2
		G3207922ALBR	2



G3207922BK	2	G9104125BT	1
G3207922BKBR	2	G9104125BU	1
G3207922BT	2	G9104125CB	1
G3207922BTBR	2	G9104125EP	1
G3207922BU	2	G9104125FG	1
G3207922BUBR	2	G9104125GG	1
G3207922CB	2	G9104125LE	1
G3207922CBBR	2	G9104125MJ	1
G3207922EP	2	G9104125SG	1
G3207922EPBR	2	G9104125VB	1
G3207922FG	2	G9104125WH	1
G3207922FGBR	2	G9107670	4
G3207922GG	2	G9107949	2
G3207922GGBR	2	G9309533PVD	1
G3207922LE	2	J2002593	4
G3207922LEBR	2	PA010030	1, 3
G3207922MJ	2	PA010122	1
G3207922MJBR	2	PA010123	1
G3207922SG	2	PA020037	1, 3
G3207922SGBR	2	PA050096	1
G3207922SS	2	PA060044	1
G3207922SSBR	2	PA070003	1, 3, 3, 4
G3207922VB	2	PA080038	1, 3
G3207922VBBR	2	PB010036	1, 3
G3207922WH	2	PB010084	3, 4
G3207922WHBR	2	PB010099	1
G9104108	1	PB010100	1
G9104108AL	1	PB010209	1
G9104108BT	1	PB020113	1, 4
G9104108BU	1	PB020116	4
G9104108CB	1	PB020127	4
G9104108EP	1	PB020136	4
G9104108FG	1	PB020203	4
G9104108GG	1	PB030004	1
G9104108LE	1	PB040001	3, 4
G9104108MJ	1	PB040017	4
G9104108SG	1	PB040018	4
G9104108VB	1	PB040148	1
G9104108WH	1	PB040160	1, 3
G9104125	1	PB060030	4
G9104125AL	1	PB060080	4



PB070014 2
PB070031 4
PB070145 2
PC020003 2, 4
PC030007 4
PC030017 4
PD020032 2
PE010016 2
PE010017 2
PE010079 2
PE010080 2
PE010081 1
PE010082 1
PE030001PVD 2
PE030117 2
PE030117PVD 2
PE050005 3, 4
PE050016 1
PE050017 1
PE050024 1
PE060007 2
PE060008 2
PE060018 2
PK000007 1
PK000008 1
PK000009 1
PK000010 1
PM010043 1
PM010044 1