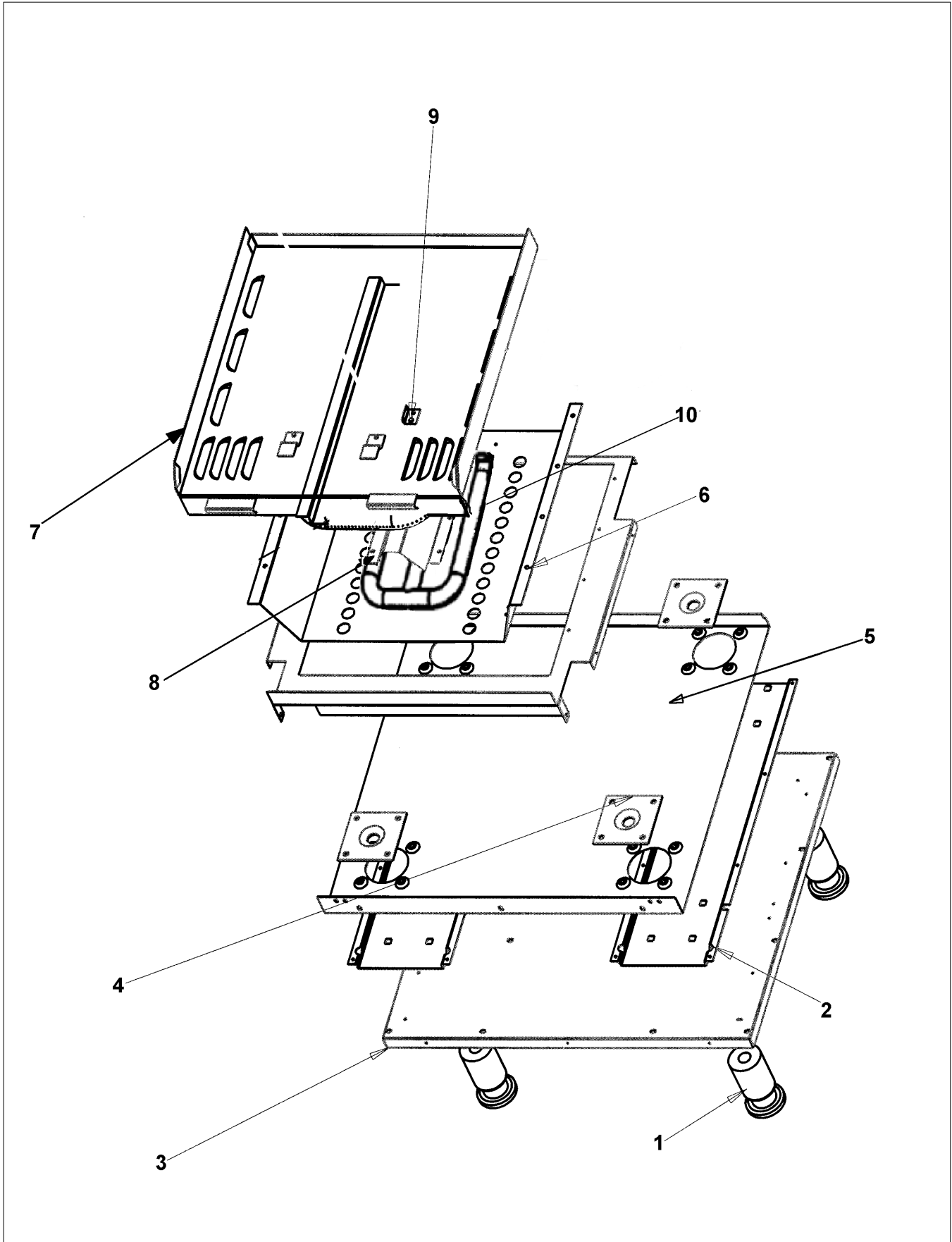


**VGIC245**

BOTTOM ASSY .....	1
BURNER BOX ASSY .....	2
DOOR ASSY .....	3
OVEN CAVITY ASSY .....	4
Appendix A:Pages Index .....	A
Appendix B:Parts Index .....	B

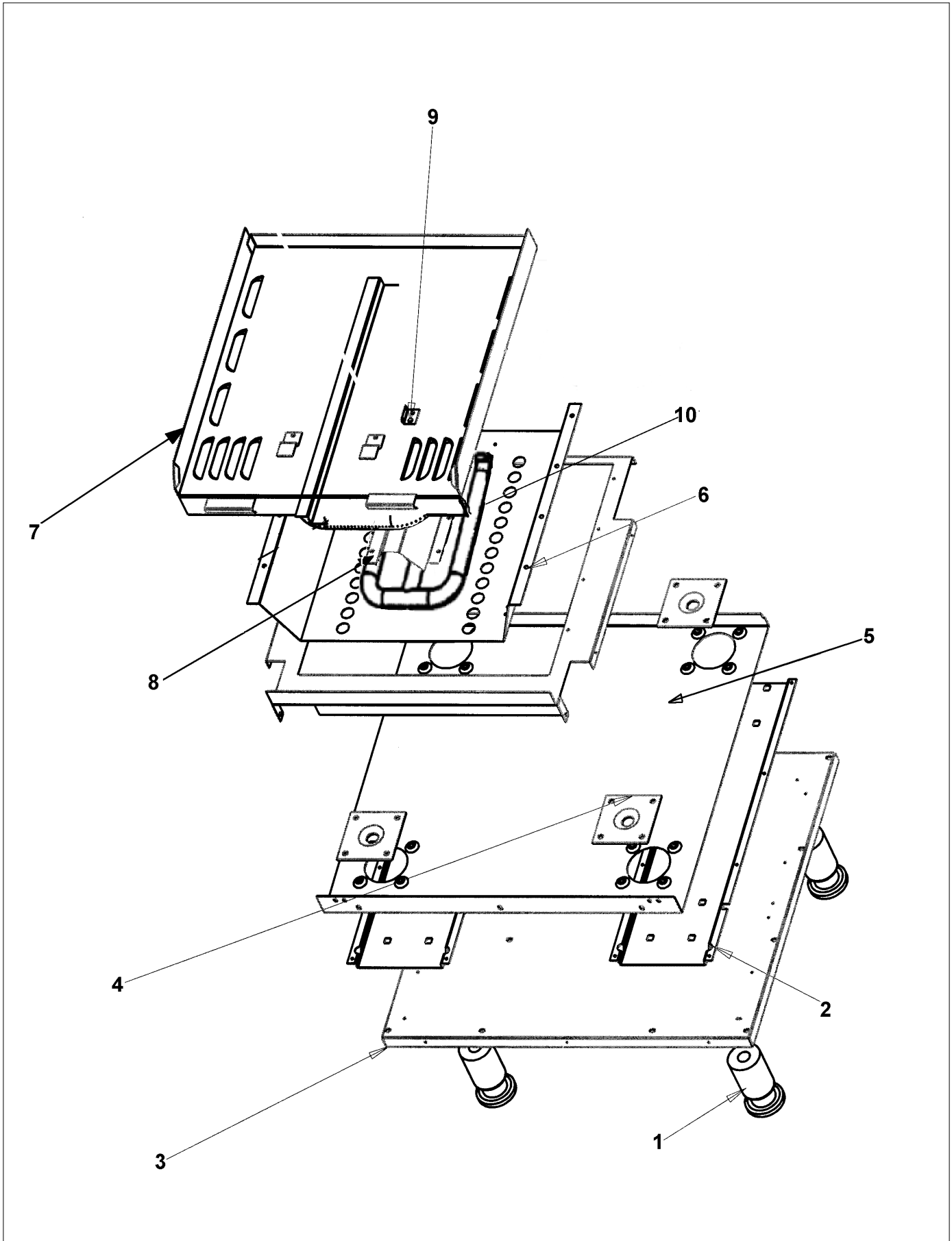


BOTTOM ASSY





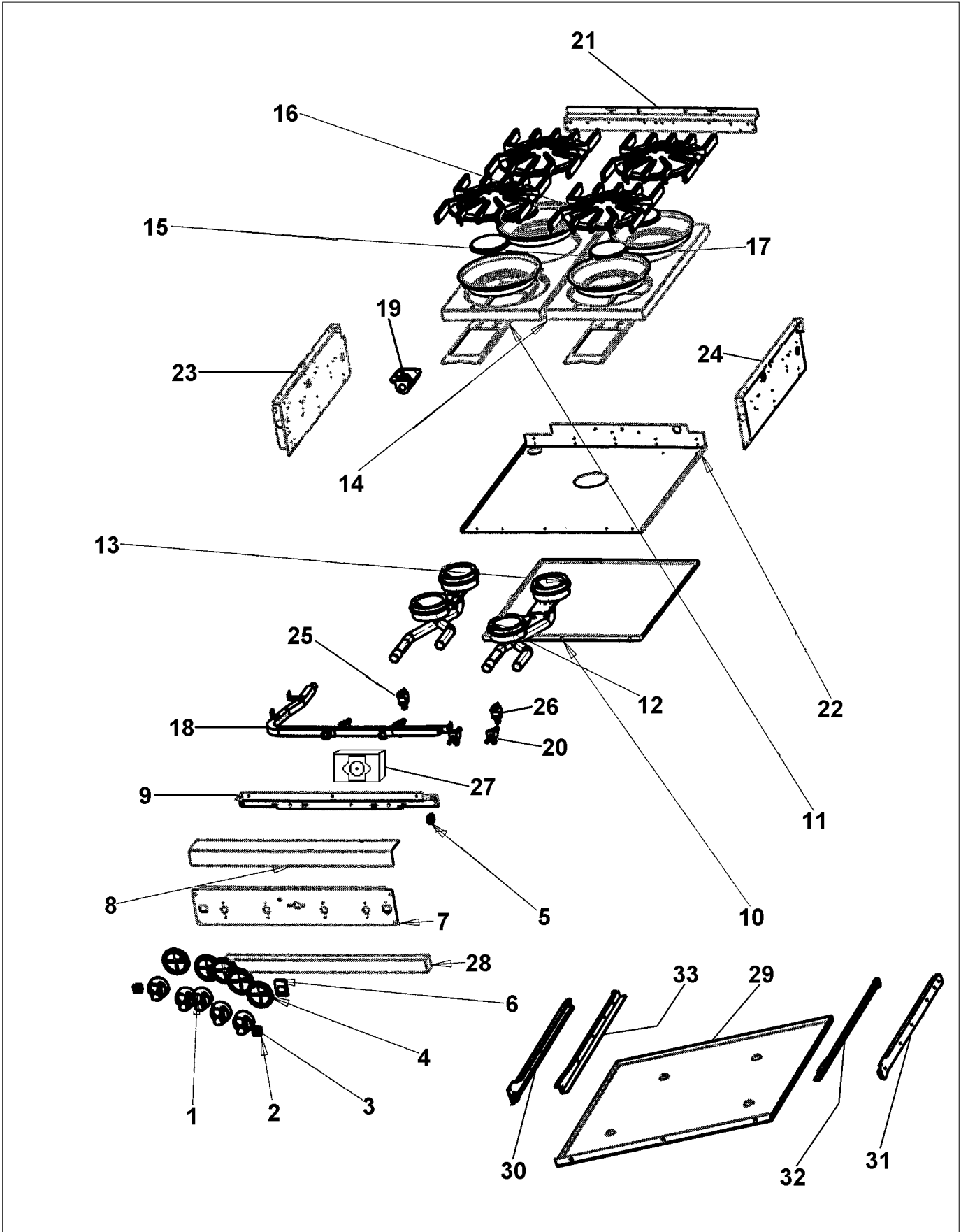
Item	Part No.	Name	Qty	Uom	NOTES
1	PC030017	4" LEG ASSY	1	EA	
2	A2001351	LEG BRACE (VGSC/VGSS) 30"	1	EA	NO LONGER AVAILABLE, Not available online / Call for pricing and availability
3	A2007666	BOTTOM INSULATION SHIELD	1	EA	Not available online / Call for pricing and availability
4	PC030007	LEG PLATE - 3/4" THREADED HOLE	1	EA	
5	A2007665	MAIN BOTTOM	1	EA	Not available online / Call for pricing and availability
6	A2007668	AIR PLATE	1	EA	
7	G9107670	OVEN BOTTOM ASSY, VGIC245 (DOESN'T INCLUDE HEAT SHIELD, MUST ORDER HEAT SHIELD SEPARATELY)	1	EA	
NI	A2002269	OVEN BTM HEAT SHIELD	1	EA	
<p>Comments for Part Num. A2002269</p> <p>gboltz@VikingRange.com on Aug 9, 2016</p> <p>DO NOT ORDER JUST HEAT SHIELD ORDER BTM OVEN PANEL ASSY ONLY</p>					
NI	008026-000	SCREW, TEK, #6-20 x 3/8, S.S.	8	EA	
8	A2004424	BURNER COVER (VGSC306)	1	EA	
9	A2001300	Griddle Igniter Bracket	1	EA	
10	006197-000	U-SHAPE BAKE BURNER 8"	1	EA	
#	B2007987	LOWER ACCESS PANEL, VGIC245	1	EA	
Not Shown	C9007987AL	LOWER ACCESS PANEL - AL	1	EA	Not available online / Call for pricing and availability
Not Shown	C9007987BK	LOWER ACCESS PANEL, VGIC245 *BK*	1	EA	NO LONGER AVAILABLE, Not available online / Call for pricing and availability
Not Shown	C9007987BT	LOWER ACCESS PANEL - BT	1	EA	Not available online / Call for pricing and availability





Item	Part No.	Name	Qty	Uom	NOTES
Not Shown	C9007987BU	LOWER ACCESS PANEL - BU	1	EA	
Not Shown	C9007987CB	LOWER ACCESS PANEL, VGIC245 *CB*	1	EA	NO LONGER AVAILABLE, Not available online / Call for pricing and availability
Not Shown	C9007987EP	LOWER ACCESS PANEL - EP	1	EA	Not available online / Call for pricing and availability
Not Shown	C9007987FG	LOWER ACCESS PANEL - FG	1	EA	Not available online / Call for pricing and availability
Not Shown	C9007987GG	LOWER ACCESS PANEL - GG	1	EA	Not available online / Call for pricing and availability
Not Shown	C9007987LE	LOWER ACCESS PANEL, VGIC245 *LE*	1	EA	
Not Shown	C9007987MJ	LOWER ACCESS PANEL - MJ	1	EA	Not available online / Call for pricing and availability
Not Shown	C9007987SG	LOWER ACCESS PANEL - SG	1	EA	Not available online / Call for pricing and availability
Not Shown	C9007987VB	LOWER ACCESS PANEL, VGIC245 *VB*	1	EA	
Not Shown	C9007987WH	LOWER ACCESS PANEL, VGIC245 *WH*	1	EA	

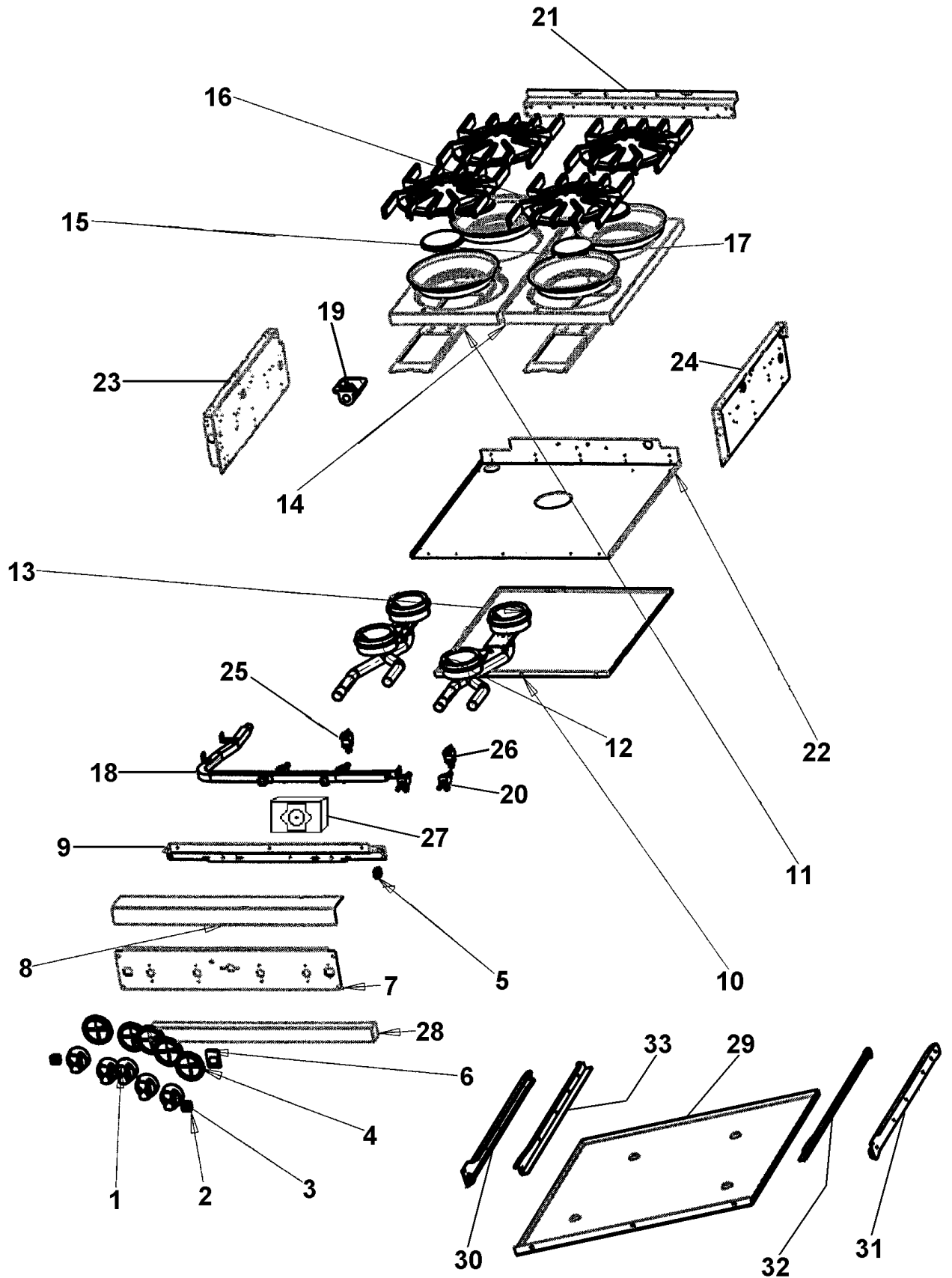
BURNER BOX ASSY





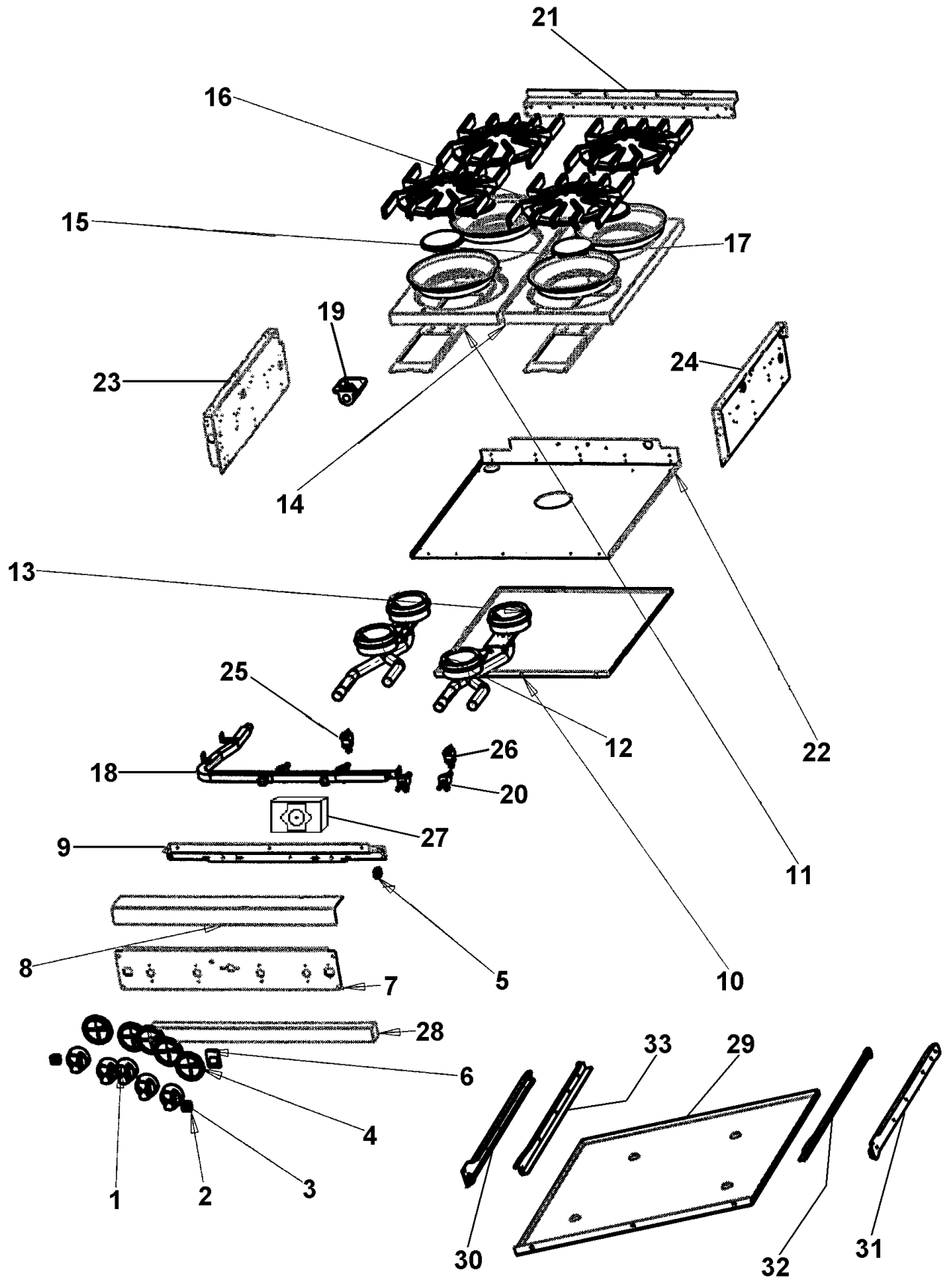


Item	Part No.	Name	Qty	Uom	NOTES
1	PB010099	T/STAT B/B KNOB BK REPL PB010039BK*		EA	
<p>Comments for Part Num. PB010099</p> <p>imardr@att.net on Nov 8, 2015 need to list the white knob for a VGIC3054BWH Reply by bradleysapplianceservice@shaw.ca on Sep 30, 2016 The White Knobs are NLA. Only Black are available. bradleysapplianceservice@shaw.ca on Sep 30, 2016 THE WHITE KNOBS ARE NLA. ONLY BLACK KNOBS ARE AVAILABLE.</p>					
Not Shown	PB010100	THERMOSTAT BAKE/BROIL KNOB *WH* N/S		EA	
2	PE050016	OVEN LIGHT SWITCH - *BK* (WES-GAR)		EA	
Not Shown	PE050017	OVEN LIGHT SWITCH - *WH* (WES-GAR)		EA	
3	PB010206	TOP BURNER KNOB BK		EA	
Not Shown	PB010207	TOP BURNER KNOB WH		EA	Not available online / Call for pricing and availability
4	050172-000	BEZEL, KNOB		EA	
Not Shown	PB010209	Bezel - BR		EA	
5	PE050024	OVEN IND. LIGHT (LIGHT HOUSING)		EA	
<p>Comments for Part Num. PE050024</p> <p>haarnink@vikingrange.com on Jan 14, 2019 please note that the indicator light is now part 043135-000 but needs the Jumper harness 051443-000. and second option there are units in the field with a 230V indicator light part number 036566-000.</p> <p>please check this for all "E" module ranges/Tops</p>					
Not Shown	PE050023	OVEN IND. LIGHT (LENS & BEZEL)		EA	
6	PE010081	CONVECTION-LABEL/PLATE (CHROME)		EA	
Not Shown	PE010082	CONVECTION-LABEL/PLATE (*BR*)		EA	
7	B9207673	CONTROL PANEL, VGIC2454B		EA	



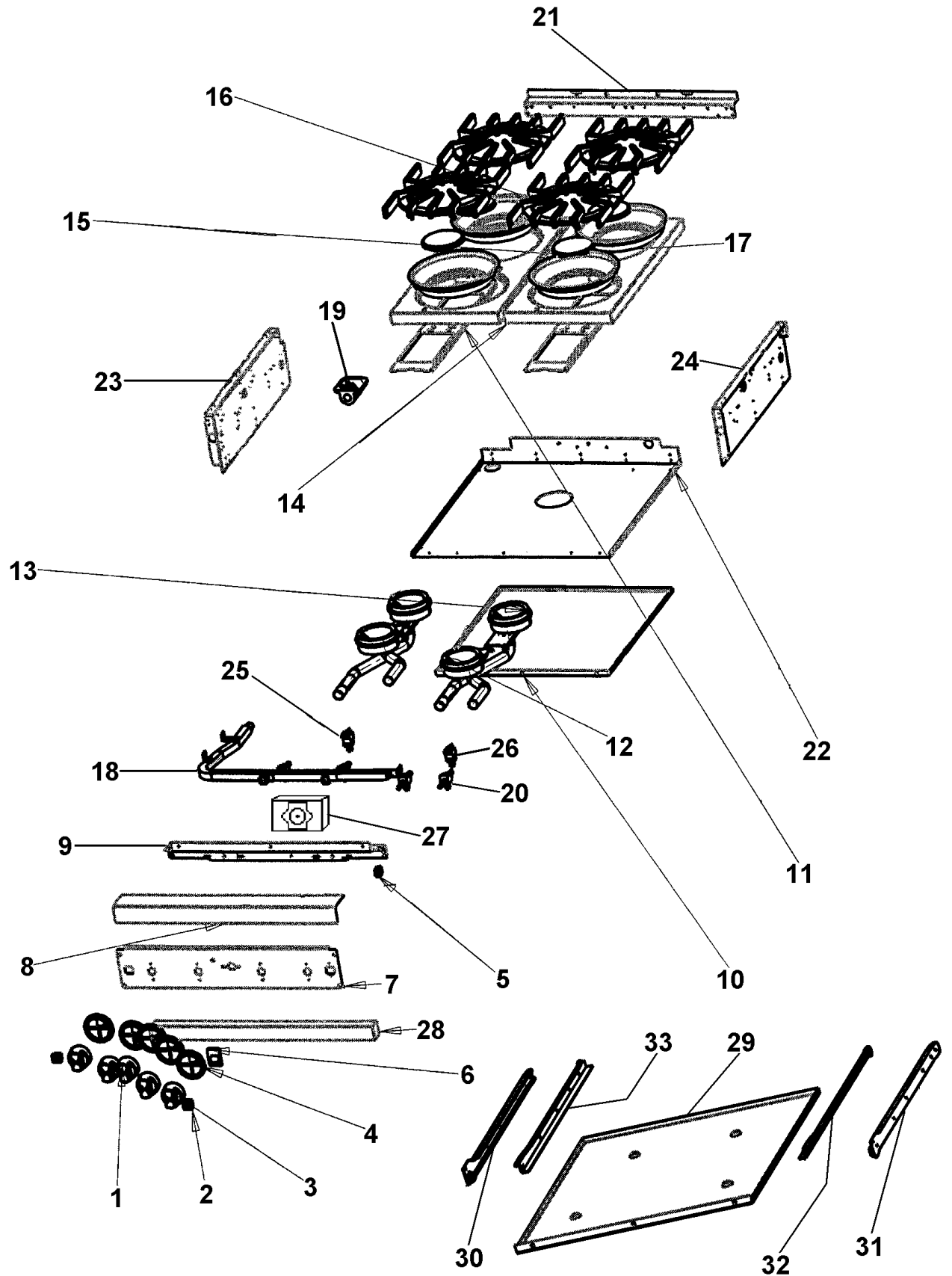


Item	Part No.	Name	Qty	Uom	NOTES
8	G3002719	LANDING LEDGE ASSY (VCCGG4)		EA	
9	A2007921	FRONT BURNER SUPPORT, VGIC245		EA	NO LONGER AVAILABLE, Not available online / Call for pricing and availability
10	B3002708	DRIP TRAY (VCCGG4)		EA	
11	A2001112	BURNER SUPT (VGRT)		EA	
12	PA080036	TOP BURNER REAR REPL PA080008		EA	
13	PA080037	TOP BURNER FRONT REPL PA080007		EA	
#	PA020028	SPARK IGNITER		EA	
14	G50013584AL	GRATE SUPPORT - AL		EA	
Not Shown	G50013584BK	GRATE SUPPORT SERVICE KIT (BK)		EA	
Not Shown	G50013584BT	GRATE SUPPORT SERVICE KIT (BT) - NLA		EA	NO LONGER AVAILABLE
Not Shown	G50013584CB	GRATE SUPPORT ASSEMBLY - CB		EA	Not available online / Call for pricing and availability
Not Shown	G50013584EP	GRATE SUPPORT ASSEMBLY - EP		EA	Not available online / Call for pricing and availability
Not Shown	G50013584FG	GRATE SUPPORT - FG		EA	Not available online / Call for pricing and availability
Not Shown	G50013584GG	GRATE SUPPORT ASSEMBLY - GG		EA	
Not Shown	G50013584LE	GRATE SUPPORT ASSEMBLY - LE		EA	Not available online / Call for pricing and availability
Not Shown	G50013584MJ	GRATE SUPPORT ASSEMBLY - MJ		EA	Not available online / Call for pricing and availability
Not Shown	G50013584SG	GRATE SUPPORT ASSEMBLY - SG		EA	Not available online / Call for pricing and availability
Not Shown	G50013584VB	GRATE SUPPORT - VB		EA	



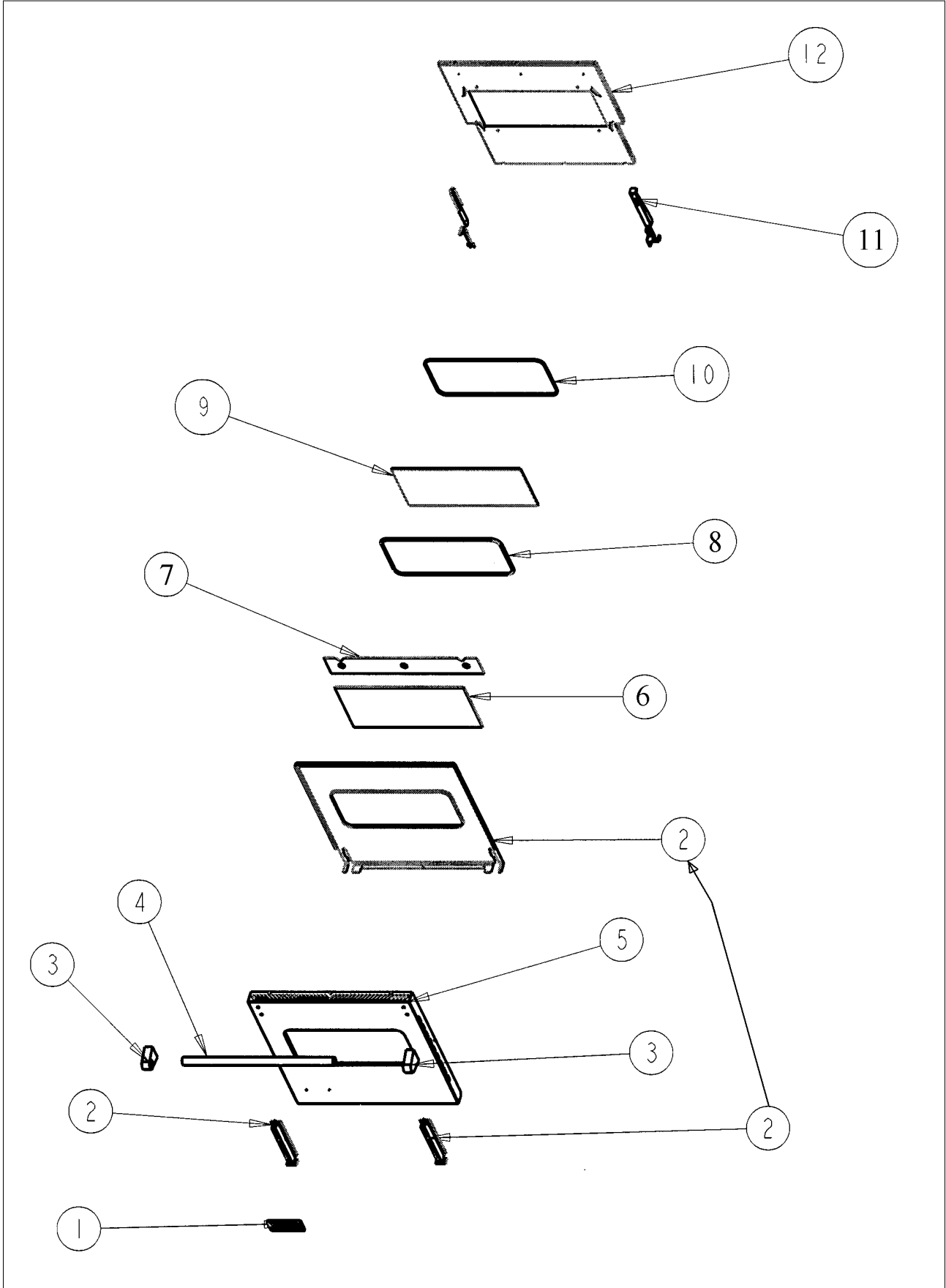


Item	Part No.	Name	Qty	Uom	NOTES
Not Shown	G50013584WH	GRATE SUPPORT SERVICE KIT (WH)		EA	
15	PA080015	BURNER CAP-VGRT *BK*		EA	
Not Shown	PA080016	BURNER CAP-VGRT (GRAY-MATT)		EA	
16	PA060037	GRATE BK REPL PA060024 (GEN.#2)		EA	
Not Shown	PA060038	GRAY GRATES		EA	
17	PA030002AL	BURNER BOWL - AL (FOR USE WITH UPGRADE KIT) NLA		EA	
Not Shown	PA030002BK	BURNER BOWL (VGRT) **BK**		EA	
Not Shown	PA030002BT	BURNER BOWL - BT NLA		EA	
Not Shown	PA030002CB	BURNER BOWL - CB NLA		EA	
Not Shown	PA030002EP	BURNER BOWL - EP NLA		EA	
Not Shown	PA030002FG	BURNER BOWL - FG (FOR USE WITH UPGRADE KIT) NLA		EA	
Not Shown	PA030002GG	BURNER BOWL - GG NLA		EA	
Not Shown	PA030002LE	BURNER BOWL - LE NLA		EA	
Not Shown	PA030002MJ	BURNER BOWL (VGRT) **MJ** NLA		EA	
Not Shown	PA030002SG	BURNER BOWL - SG NLA		EA	
Not Shown	PA030002VB	BURNER BOWL (VGRT) **VB** NLA		EA	
Not Shown	PA030002WH	BURNER BOWL (VGRT) **WH**		EA	
18	PA050112	UNIVERSAL 24" MANIFOLD		EA	
19	PA070003	PRESSURE REGULATOR		EA	
20	G50012678	TOP BURNER VALVE KIT (BRASS VALVE REPLACEMENT)		EA	
Not Shown	003515-000	PA010157 VALVE AND BOLT KIT		EA	
21	A2007672	REAR BURNER SUPPORT, VGIC245		EA	



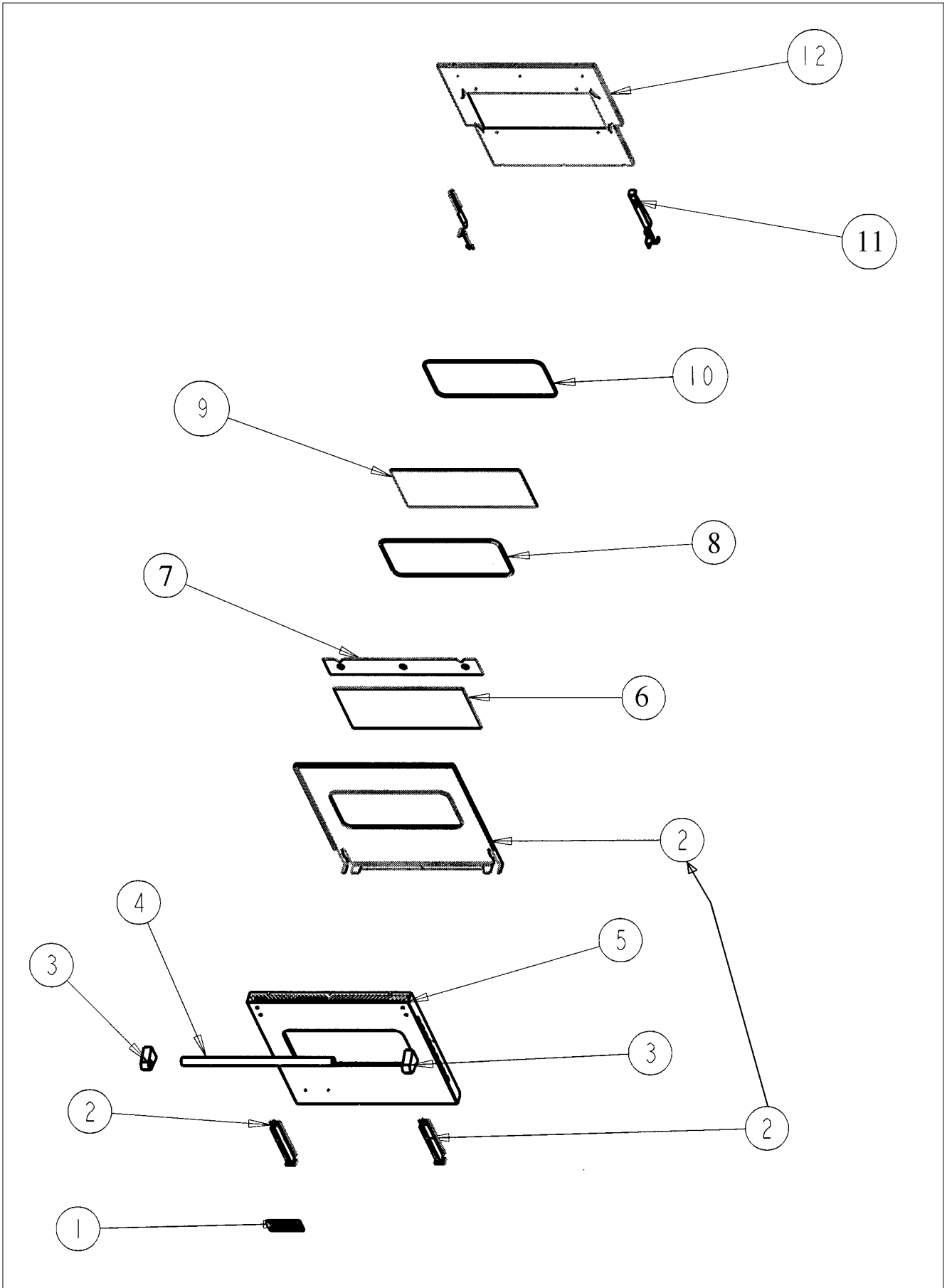
Item	Part No.	Name	Qty	Uom	NOTES
22	A2007676	BURNER BOX BOTTOM		EA	Not available online / Call for pricing and availability
23	A2001912	BURNER BOX SIDE LH		EA	
24	A2001911	BURNER BOX SIDE RH		EA	
26	003862-000	SHUTOFF VALVE (PB030002 VALVE AND BOLT KIT)		EA	
Not Shown	007147-000	SHUTOFF VALVE ASSY		EA	
27	PB010036	THERMOSTAT BAKE/BROIL		EA	
28	G30010694	DRIP TRAY HANDLE ASSY 24" *SS*		EA	Not available online / Call for pricing and availability
Not Shown	G93011457PVD	DRIP TRAY HANDLE ASSY 24" PVD		EA	NO LONGER AVAILABLE, Not available online / Call for pricing and availability
NI	PE070070	Disconnect Block - Male		EA	
NI	PE070071	Disconnect Block - Female		EA	
NI	PE070128	Supply Cord		EA	
NI	PA020015	Spark Ignition Switch		EA	
Not Shown	NOTE	(BEFORE 02/23/05)		EA	
NI	PA020045	Spark Ignition Switch		EA	
Not Shown	NOTE	(AFTER 02/23/05)		EA	
NI	PA020029	Switch Spacer		EA	
29	B3002708	DRIP TRAY (VCCGG4)		EA	
30	PK000007	DRIP TRAY GUIDE - LH (VGRT)		EA	NO LONGER AVAILABLE
31	PK000008	Drip Tray Guide - RH		EA	NO LONGER AVAILABLE
32	PK000010	RUNNER, DRIP TRAY - RH (VGRT)		EA	
33	PK000009	Drip Tray Guide - LH		EA	
NI	PE070658	IGNITOR WIRE KIT		EA	

DOOR ASSY

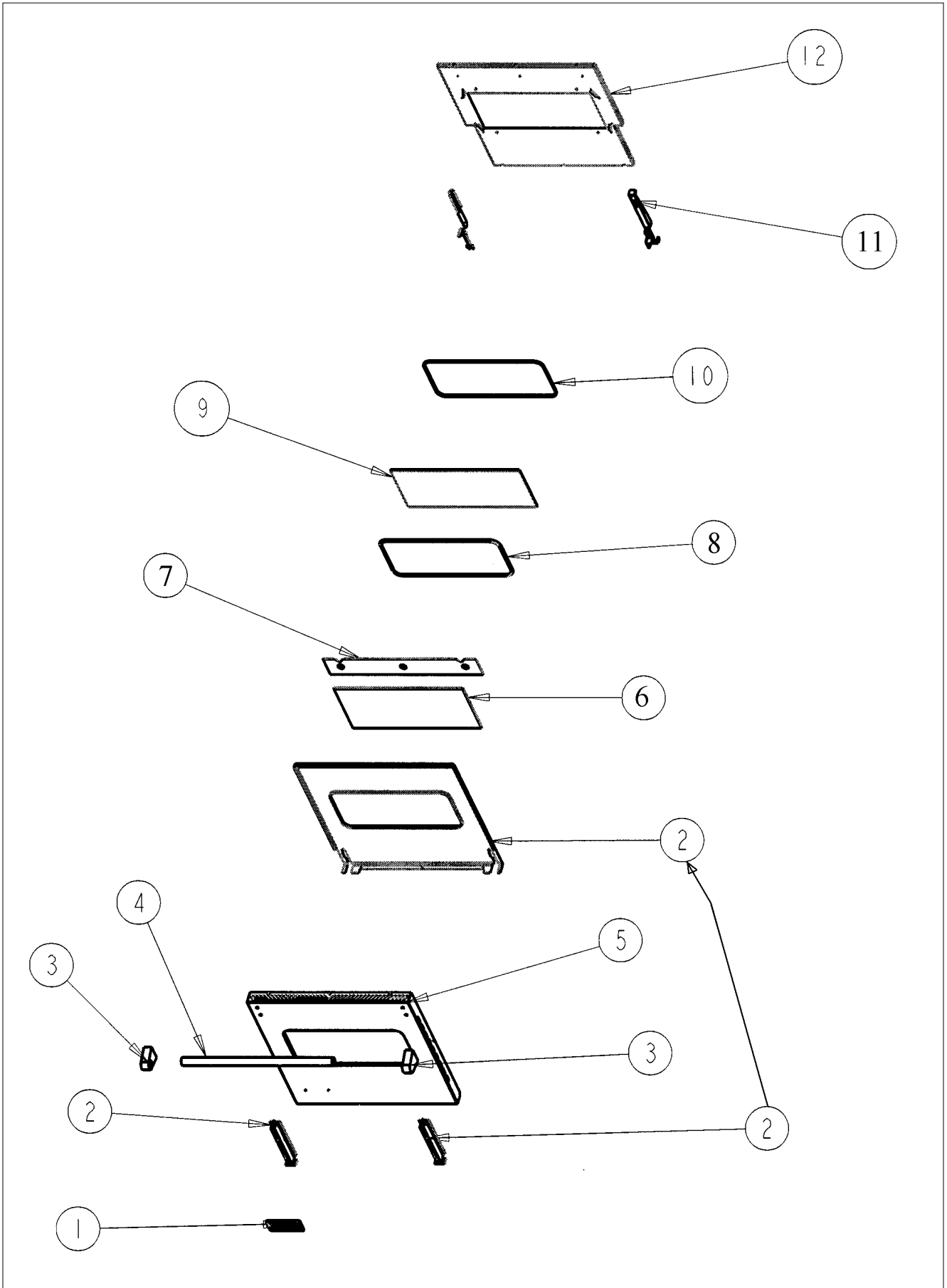




Item	Part No.	Name	Qty	Uom	NOTES
1	PE010016	LOGO (ALL RANGES) *BK/CHR 307997W	1	EA	
Not Shown	PE010079	4.5" LOGO/VIKING PROF *BK/BR	1	EA	
Not Shown	PE010017	LOGO (VGSO,VEDO,VGDO,VUD) *WH/CHR	1	EA	
Not Shown	PE010080	4.5" LOGO/VIKING PROF *WH/BR	1	EA	
2	G9107949	OVEN DOOR LINER ASSY., VGIC245	1	EA	
3	000268-000	HANDLE ENDCAP	1	EA	
Not Shown	PE030001PVD	END CAP DOOR HANDLE *BR	1	EA	
4	PE030117	HANDLE VGIC 24 INCH	1	EA	
Not Shown	PE030117PVD	HANDLE VGIC 24 INCH BRASS	1	EA	NO LONGER AVAILABLE
5	B2007925	OUTSIDE DOOR PANEL SS, VGIC245	1	EA	
Not Shown	C9007925AL	O/S DOOR PANEL - AL	1	EA	Not available online / Call for pricing and availability
Not Shown	C9007925BK	O/S DOOR PANEL VGIC245 *BK*	1	EA	Not available online / Call for pricing and availability
Not Shown	C9007925BT	O/S DOOR PANEL - BT	1	EA	Not available online / Call for pricing and availability
Not Shown	C9007925BU	O/S DOOR PANEL - BU	1	EA	
Not Shown	C9007925CB	O/S DOOR PANEL VGIC245 *CB*	1	EA	NO LONGER AVAILABLE, Not available online / Call for pricing and availability
Not Shown	C9007925EP	O/S DOOR PANEL - EP	1	EA	Not available online / Call for pricing and availability
Not Shown	C9007925FG	O/S DOOR PANEL - FG	1	EA	Not available online / Call for pricing and availability

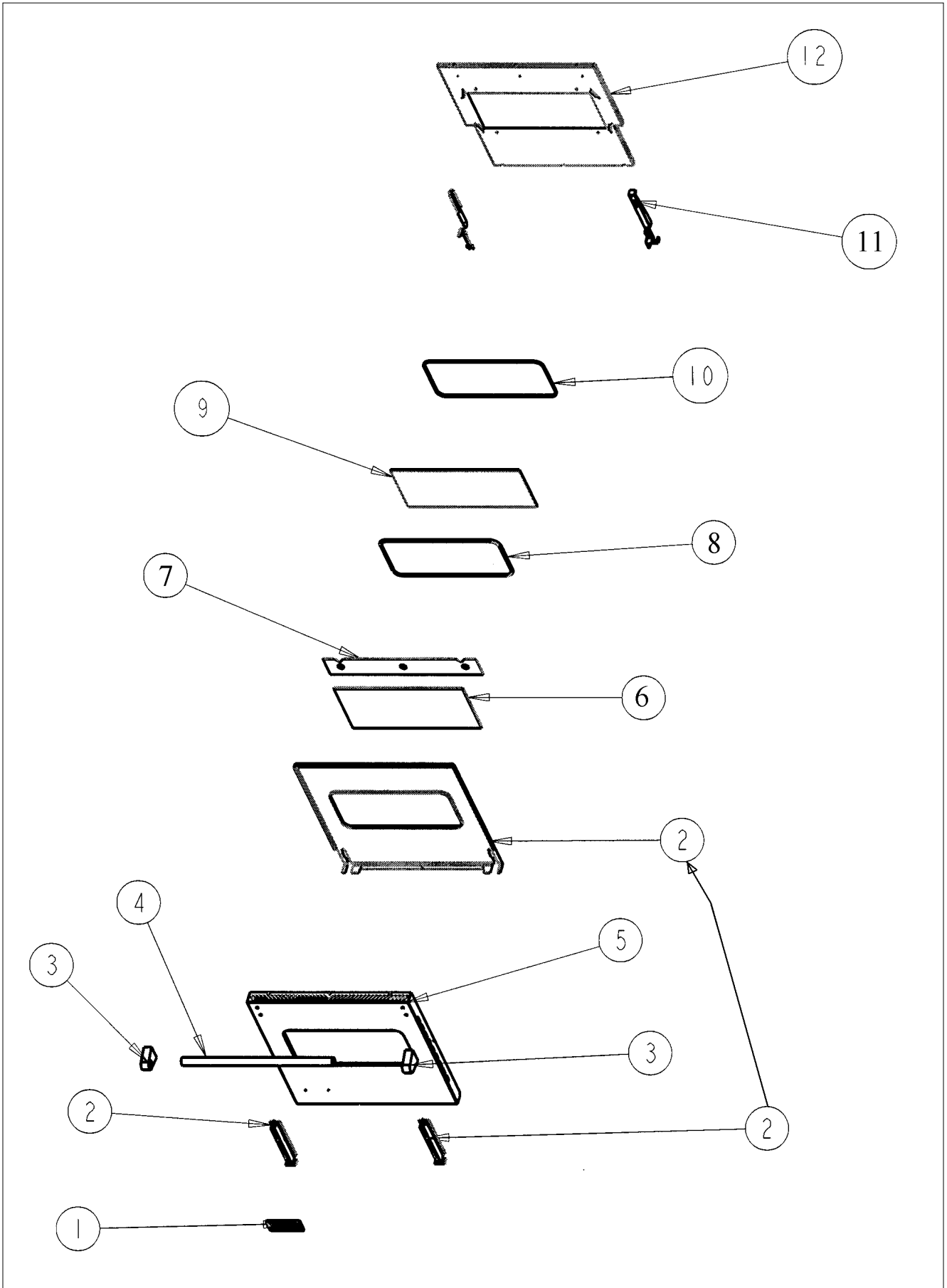


Item	Part No.	Name	Qty	Uom	NOTES
Not Shown	C9007925GG	O/S DOOR PANEL - GG	1	EA	Not available online / Call for pricing and availability
Not Shown	C9007925LE	O/S DOOR PANEL VGIC245 *LE*	1	EA	
Not Shown	C9007925MJ	O/S DOOR PANEL - MJ	1	EA	Not available online / Call for pricing and availability
Not Shown	C9007925SG	O/S DOOR PANEL - SG	1	EA	Not available online / Call for pricing and availability
Not Shown	C9007925VB	O/S DOOR PANEL VGIC245 *VB*	1	EA	
Not Shown	C9007925WH	O/S DOOR PANEL VGIC245 *WH*	1	EA	NO LONGER AVAILABLE, Not available online / Call for pricing and availability
6	PE060018	OVEN GLASS-TEMPERED,SCREENED*BK*	1	EA	
7	A1007947	DOOR HEAT BAFFLE	1	EA	Not available online / Call for pricing and availability
8	PE060007	J-MOLD (1" RADIUS)	1	EA	
9	PE060008	GLASS REPL PE060009	1	EA	
10	PB070014	DOOR GLASS SEAL STRIP - WINDOW DRS.	1	EA	
11	PC020003	HINGE ASSY (BLUE)	1	EA	
12	A2007948	DOOR INSULATION RETAINER, VGIC245	1	EA	
NI	A2007946	DOOR GLASS BRACKET	1	EA	Not available online / Call for pricing and availability
NI	PB070145	SUPERWOOL 5" X 24" X 3'	1	EA	
NI	PD020032	SRW-8(A)X3/8"PH.WFR HD 7/16DIA*NICL	1	EA	
NI	G3207922AL	COMPLETE DOOR ASSEMBLY - AL	1	EA	Not available online / Call for pricing and availability



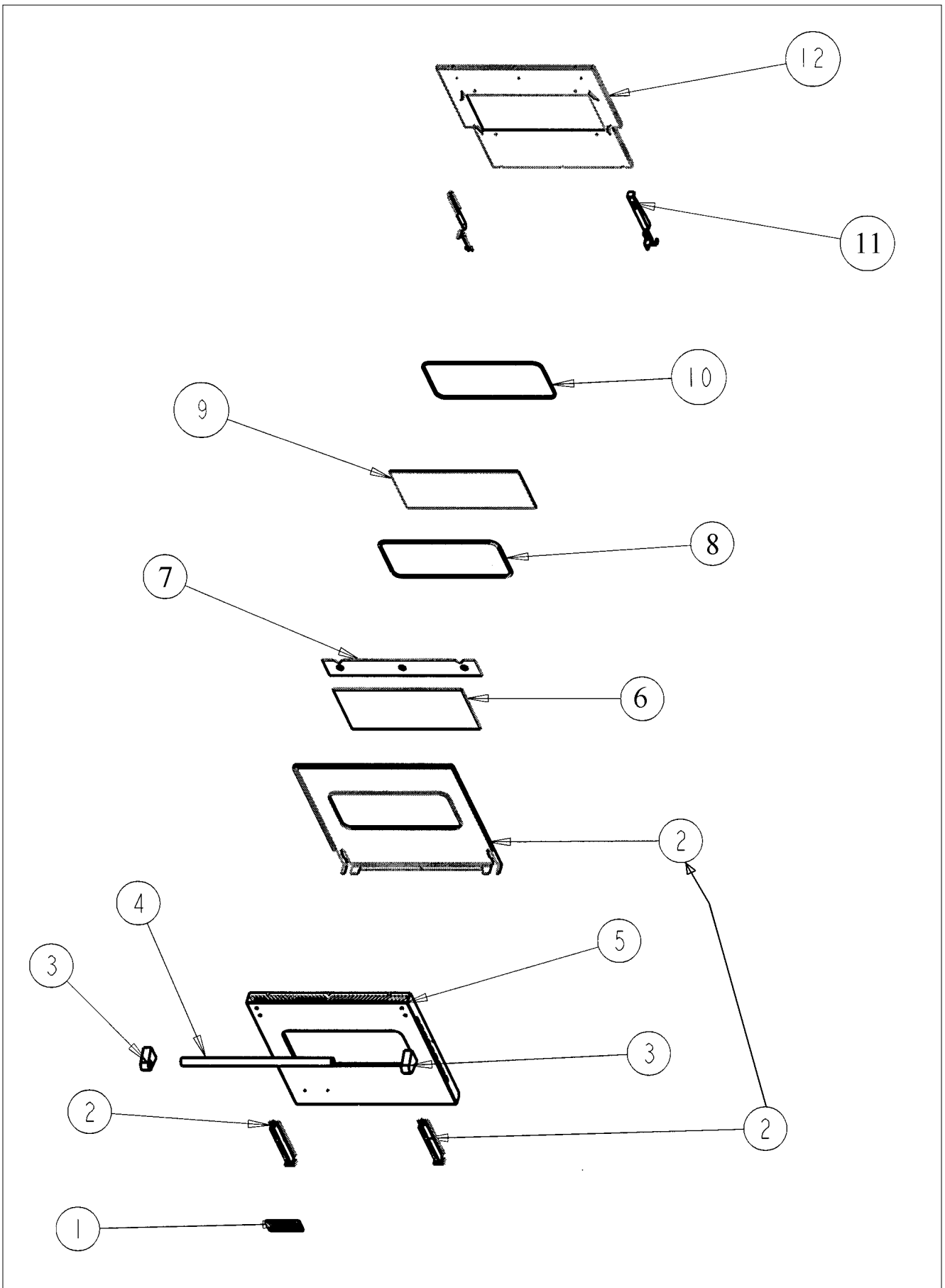


Item	Part No.	Name	Qty	Uom	NOTES
Not Shown	G3207922ALBR	COMPLETE DOOR ASSEMBLY - ALBR	1	EA	Not available online / Call for pricing and availability
Not Shown	G3207922BK	COMPLETE DOOR ASSEMBLY - BK	1	EA	Not available online / Call for pricing and availability
Not Shown	G3207922BKBR	COMPLETE DOOR ASSEMBLY - BKBR	1	EA	Not available online / Call for pricing and availability
Not Shown	G3207922BT	COMPLETE DOOR ASSEMBLY - BT	1	EA	Not available online / Call for pricing and availability
Not Shown	G3207922BTBR	COMPLETE DOOR ASSEMBLY - BTBR	1	EA	Not available online / Call for pricing and availability
Not Shown	G3207922BU	COMPLETE DOOR ASSEMBLY - BU	1	EA	Not available online / Call for pricing and availability
Not Shown	G3207922BUBR	COMPLETE DOOR ASSEMBLY - BUBR	1	EA	
Not Shown	G3207922CB	COMPLETE DOOR ASSEMBLY - CB	1	EA	Not available online / Call for pricing and availability
Not Shown	G3207922CBBR	COMPLETE DOOR ASSEMBLY - CBBR	1	EA	Not available online / Call for pricing and availability
Not Shown	G3207922EP	COMPLETE DOOR ASSEMBLY - EP	1	EA	Not available online / Call for pricing and availability
Not Shown	G3207922EPBR	COMPLETE DOOR ASSEMBLY - EPBR	1	EA	Not available online / Call for pricing and availability
Not Shown	G3207922FG	COMPLETE DOOR ASSEMBLY - FG	1	EA	Not available online / Call for pricing and availability
Not Shown	G3207922FGBR	COMPLETE DOOR ASSEMBLY - FGBR	1	EA	Not available online / Call for pricing and availability





Item	Part No.	Name	Qty	Uom	NOTES
Not Shown	G3207922GG	COMPLETE DOOR ASSEMBLY - GG	1	EA	Not available online / Call for pricing and availability
Not Shown	G3207922GGBR	COMPLETE DOOR ASSEMBLY - GGBR	1	EA	Not available online / Call for pricing and availability
Not Shown	G3207922LE	COMPLETE DOOR ASSEMBLY - LE	1	EA	Not available online / Call for pricing and availability
Not Shown	G3207922LEBR	COMPLETE DOOR ASSEMBLY - LEBR	1	EA	Not available online / Call for pricing and availability
Not Shown	G3207922MJ	COMPLETE DOOR ASSEMBLY - MJ	1	EA	Not available online / Call for pricing and availability
Not Shown	G3207922MJBR	COMPLETE DOOR ASSEMBLY - MJBR	1	EA	Not available online / Call for pricing and availability
Not Shown	G3207922SG	COMPLETE DOOR ASSEMBLY - SG	1	EA	Not available online / Call for pricing and availability
Not Shown	G3207922SGBR	COMPLETE DOOR ASSEMBLY - SGBR	1	EA	Not available online / Call for pricing and availability
Not Shown	G3207922SS	DOOR ASSY *SS*, VGIC245	1	EA	Not available online / Call for pricing and availability
Not Shown	G3207922SSBR	COMPLETE DOOR ASSEMBLY - SSBR	1	EA	Not available online / Call for pricing and availability
Not Shown	G3207922VB	COMPLETE DOOR ASSEMBLY - VB	1	EA	Not available online / Call for pricing and availability
Not Shown	G3207922VBBR	COMPLETE DOOR ASSEMBLY - VBBR	1	EA	Not available online / Call for pricing and availability
Not Shown	G3207922WH	COMPLETE DOOR ASSEMBLY - WH	1	EA	Not available online / Call for pricing and availability

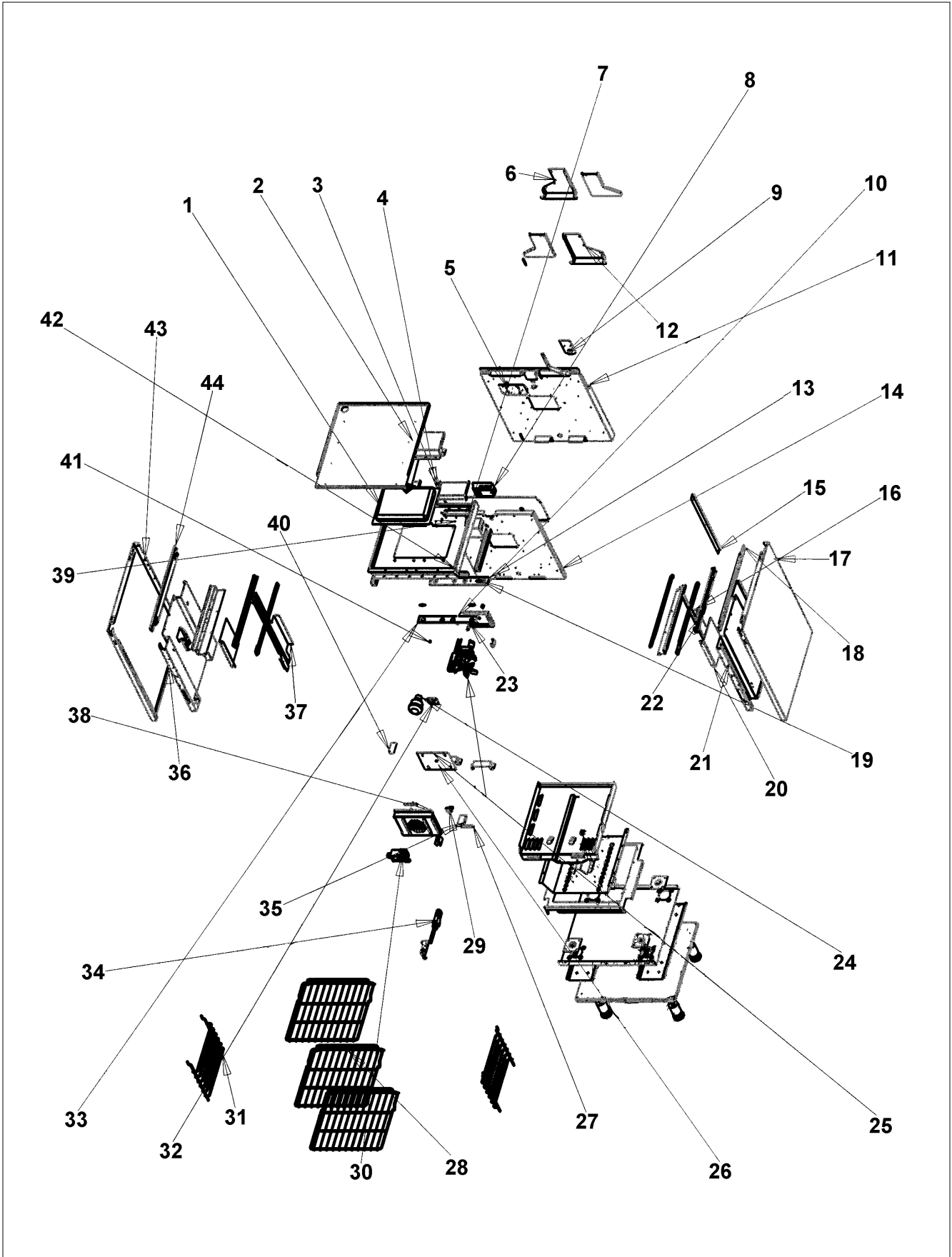






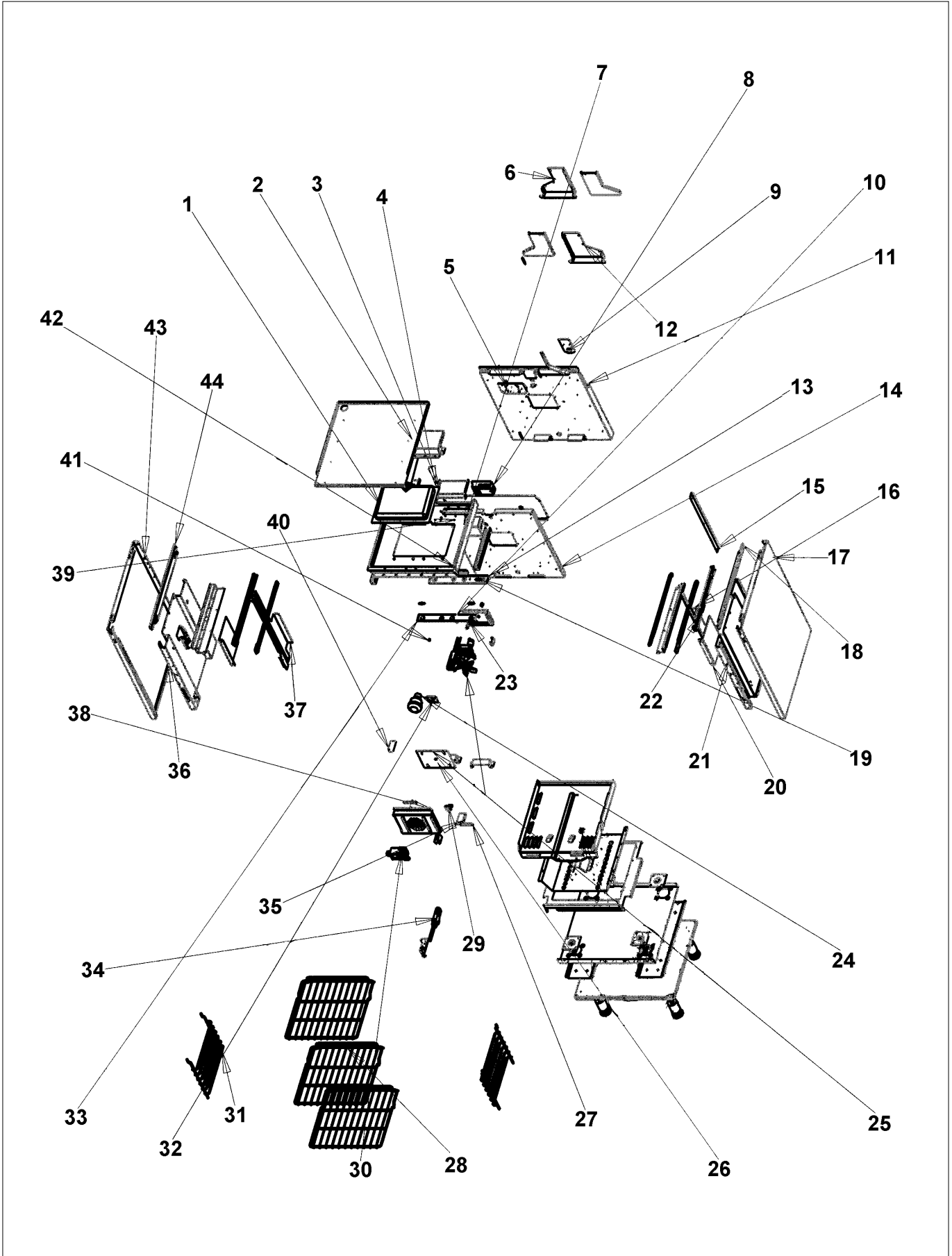
Item	Part No.	Name	Qty	Uom	NOTES
Not Shown	G3207922WHBR	COMPLETE DOOR ASSEMBLY - WHBR	1	EA	Not available online / Call for pricing and availability

OVEN CAVITY ASSY

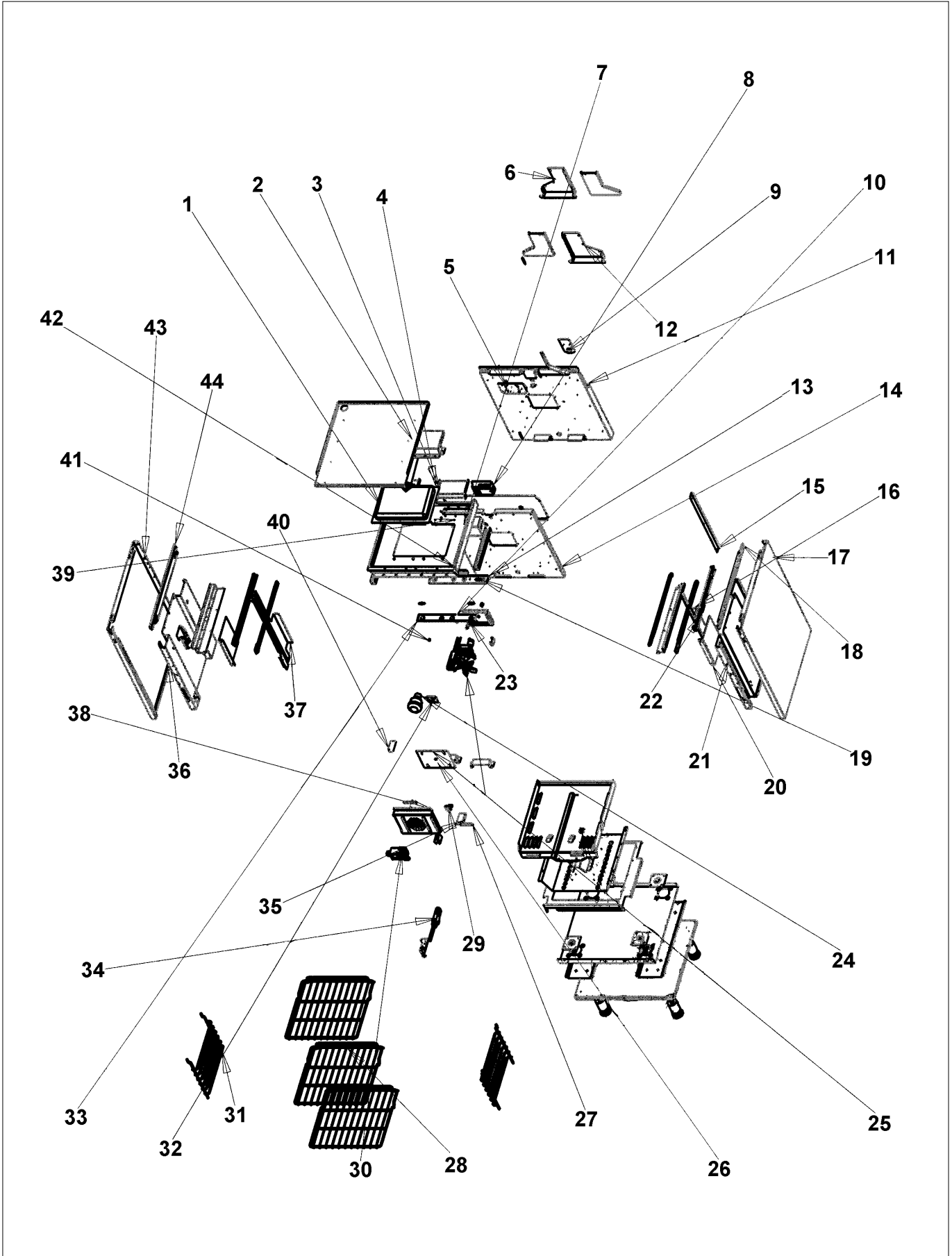




Item	Part No.	Name	Qty	Uom	NOTES
1	G3001876	IR BURNER ASSY (VGSC/RC) N/S	1	EA	
NI	PB040017	IR BURNER ORIFICE NAT.(15,000 BTU)	1	EA	
NI	PB040018	IR BURNER ORIFICE SPUD LP (12,500 BTU)	1	EA	
2	A2001414	FLUE BOX TOP (VGSC/SS) 30	1	EA	
3	A2001415	FLUE BOX BTM (VGSC/SS)	1	EA	
4	A2006398	ORIFICE HOLDER BRACKET	1	EA	NO LONGER AVAILABLE, Not available online / Call for pricing and availability
5	A2003431	SNAP-ON MODULE BRKT	1	EA	NO LONGER AVAILABLE, Not available online / Call for pricing and availability
6	A2004857	FLUE FRONT LH (VGSC/SS)	1	EA	NO LONGER AVAILABLE, Not available online / Call for pricing and availability
7	A2001620	SPARK MODULE COVER (VGRC)	1	EA	
8	PA020047	INVENSYS 0+4 RE-IGNITION SPARK MODULE	1	EA	
9	A1001146	PLUG BRACKET	1	EA	NO LONGER AVAILABLE, Not available online / Call for pricing and availability
10	A2001361	BACK SPACER (VGSC/VGSS)	1	EA	
11	A2007669	OUTSIDE BACK PANEL, VGIC245	1	EA	NO LONGER AVAILABLE, Not available online / Call for pricing and availability
12	A2004856	FLUE FRONT RH (VGSC/SS)	1	EA	NO LONGER AVAILABLE, Not available online / Call for pricing and availability
13	020409-000	BRACKET, SPRT, FR, I/R BROILER	1	EA	
14	E9107660	OVEN BACK LINER	1	EA	Not available online / Call for pricing and availability

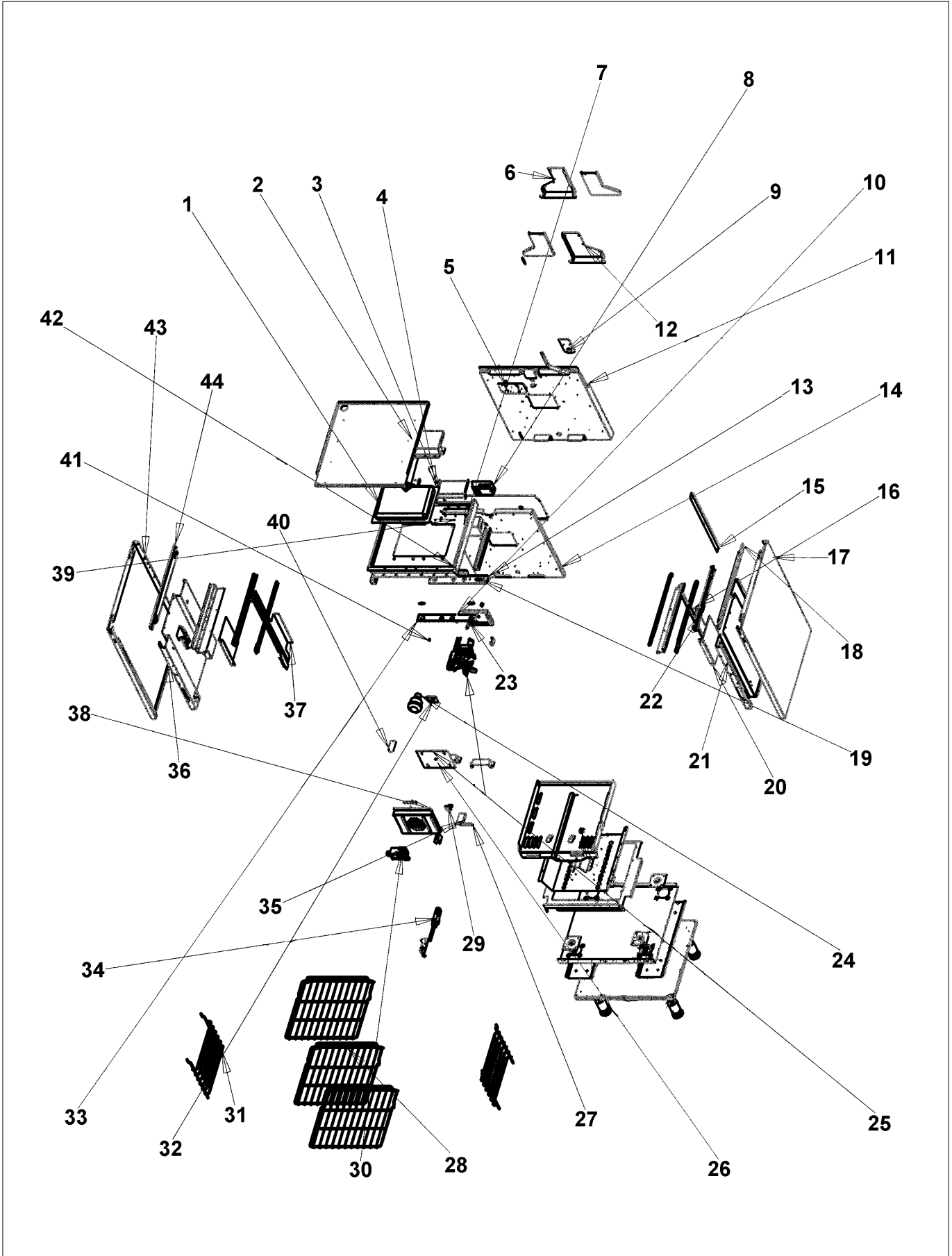


Item	Part No.	Name	Qty	Uom	NOTES
15	A2003495	O/S BACK BRACE (VGIS480)	1	EA	NO LONGER AVAILABLE, Not available online / Call for pricing and availability
16	E9101366	LINER EXTENSION RH (VGSC/VGSS)	1	EA	NO LONGER AVAILABLE, Not available online / Call for pricing and availability
17	B2002597	O/S BODY PANEL - RH (SS)	1	EA	
Not Shown	C9002597AL	O/S BODY PANEL-RH *AL* (VDSC)	1	EA	NO LONGER AVAILABLE, Not available online / Call for pricing and availability
Not Shown	C9002597BK	BODY PNL RH BK REPL C9001921BK	1	EA	
Not Shown	C9002597BT	O/S BODY PANEL-RH *BT* (VDSC)	1	EA	NO LONGER AVAILABLE
Not Shown	C9002597BU	BODY PNL RH BU REPL C9001921BU	1	EA	Not available online / Call for pricing and availability
Not Shown	C9002597CB	O/S BODY PANEL-RH *CB* (VDSC)	1	EA	NO LONGER AVAILABLE
Not Shown	C9002597EP	O/S BODY PANEL-RH *EP* (VDSC)	1	EA	NO LONGER AVAILABLE
Not Shown	C9002597FG	BODY PNL RH FG REPL C9001921FG	1	EA	NO LONGER AVAILABLE, Not available online / Call for pricing and availability
Not Shown	C9002597GG	BODY PNL RH GG REPL C9001921GG	1	EA	Not available online / Call for pricing and availability
Not Shown	C9002597LE	O/S BODY PANEL-RH *LE* (VDSC)	1	EA	
Not Shown	C9002597MJ	O/S BODY PANEL-RH *MJ* (VDSC)	1	EA	NO LONGER AVAILABLE
Not Shown	C9002597SG	O/S BODY PANEL-RH *SG* (VDSC)	1	EA	NO LONGER AVAILABLE, Not available online / Call for pricing and availability
Not Shown	C9002597VB	BODY PNL RH VB REPL C9001921VB	1	EA	
Not Shown	C9002597WH	BODY PNL RH WH REPL C9001921WH	1	EA	



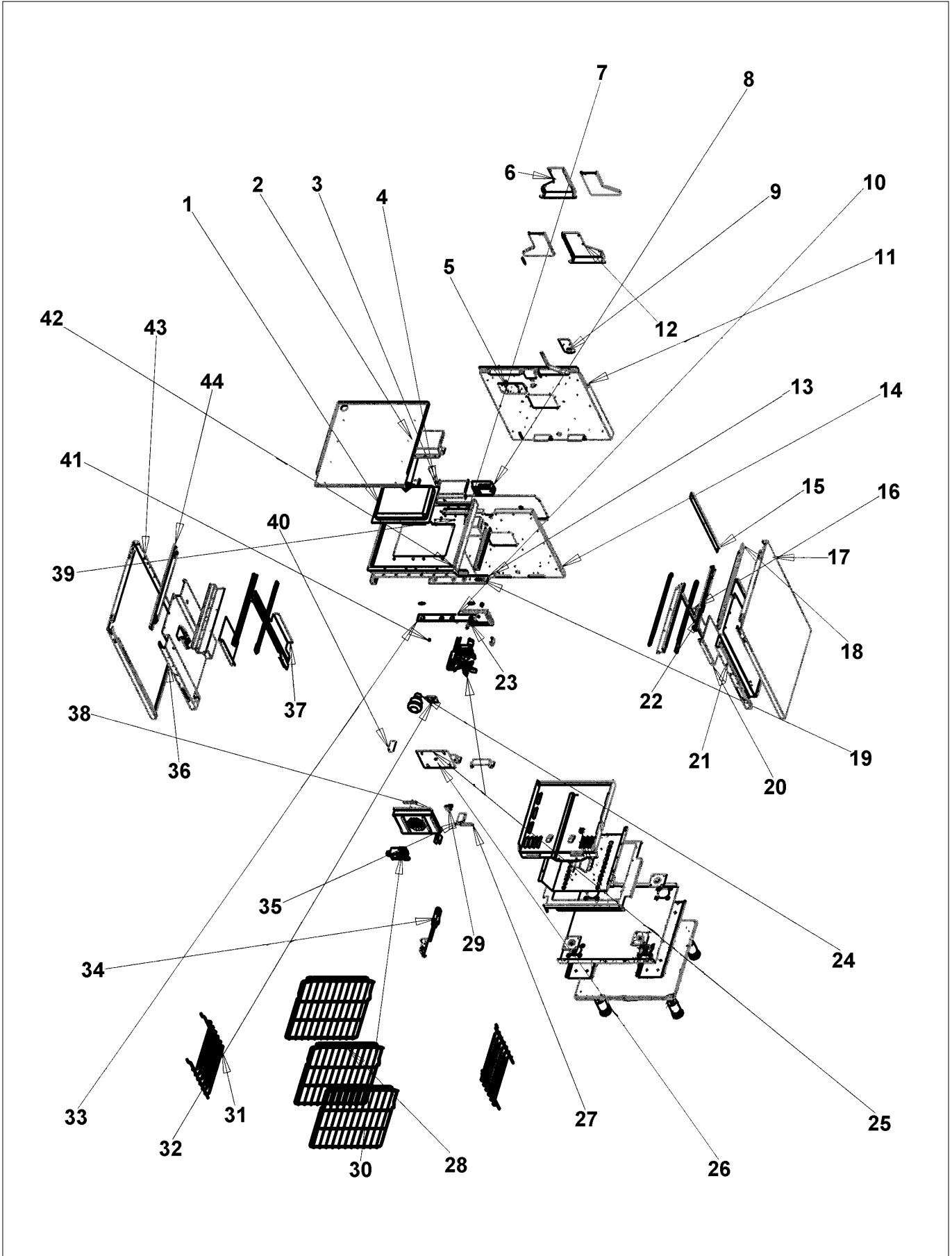


Item	Part No.	Name	Qty	Uom	NOTES
18	024153-000	TRIM, SIDE, RH	1	EA	Not available online / Call for pricing and availability
19	PA020028	SPARK IGNITER	1	EA	
20	J2002593	Oven Side Heat Sink	1	EA	Not available online / Call for pricing and availability
21	E9108444	OVEN SIDE LINER RH-VGIC	1	EA	NO LONGER AVAILABLE, Not available online / Call for pricing and availability
22	A2000210	WIRE CHANNEL	1	EA	NO LONGER AVAILABLE, Not available online / Call for pricing and availability
23	A2001450	IGNITER BURNER SUPT BRKT	1	EA	
24	031449-000	LAMP, ASM	1	EA	
25	PE050057	CONVECTION FAN (VGSC306)	1	EA	
26	A2001359	REAR AIR PLATE BRKT (VGSC/VGSS)	1	EA	NO LONGER AVAILABLE, Not available online / Call for pricing and availability
27	A2000803	OVEN BTM SUPT - 36" B-IN	1	EA	
28	PB060080	OVEN RACK VGIC 24 INCH	1	EA	
29	A2007978	BAKE ORIFICE BRACKET, VGIC245	1	EA	NO LONGER AVAILABLE, Not available online / Call for pricing and availability
30	PB010084	DUAL THERMAL BI-MTL GAS CTRL VALVE	1	EA	
31	PB060030	RACK SUPT REPL PB060010	1	EA	
32	A1006399	ORIFICE HOLDER BRACKET PLATE	1	EA	NO LONGER AVAILABLE, Not available online / Call for pricing and availability
33	B2001448	IR BROIL SUPT (FRONT)	1	EA	
34	PB040001	Igniter	1	EA	
35	A2008456	HINGE POCKET COVER, VGIC RH	1	EA	





Item	Part No.	Name	Qty	Uom	NOTES
36	E9108445	OVEN SIDE LINER LH-VGIC	1	EA	NO LONGER AVAILABLE, Not available online / Call for pricing and availability
37	E9101367	LINER EXTENSION LH (VGSC/VGSS)	1	EA	NO LONGER AVAILABLE, Not available online / Call for pricing and availability
38	E9107988	CONVECTION FAN COVER	1	EA	Not available online / Call for pricing and availability
39	A2007675	REAR COVER	1	EA	Not available online / Call for pricing and availability
40	A2008457	HINGE POCKET COVER, VGIC LH	1	EA	
41	PE050023	OVEN IND. LIGHT (LENS & BEZEL)	1	EA	
42	G9107664	OVEN TOP LINER ASSEMBLY	1	EA	Not available online / Call for pricing and availability
43	B2002598	O/S BODY PANEL LH (SS)	1	EA	
Not Shown	C9002598AL	BODY PNL LH 30'REPL C9001922AL	1	EA	NO LONGER AVAILABLE, Not available online / Call for pricing and availability
Not Shown	C9002598BK	BODY PNL LH 30'REPL C9001922BK	1	EA	
Not Shown	C9002598BT	O/S BODY PANEL-LH *BT* (VDSC)	1	EA	NO LONGER AVAILABLE
Not Shown	C9002598BU	BODY PNL LH 30'REPL C9001922BU	1	EA	
Not Shown	C9002598CB	O/S BODY PANEL-LH *CB* (VDSC)	1	EA	Not available online / Call for pricing and availability
Not Shown	C9002598EP	O/S BODY PANEL-LH *EP* (VDSC)	1	EA	NO LONGER AVAILABLE, Not available online / Call for pricing and availability



Item	Part No.	Name	Qty	Uom	NOTES
Not Shown	C9002598FG	BODY PNL LH 30'REPL C9001922FG	1	EA	NO LONGER AVAILABLE, Not available online / Call for pricing and availability
Not Shown	C9002598GG	BODY PNL LH 30'REPL C9001922GG	1	EA	Not available online / Call for pricing and availability
Not Shown	C9002598LE	O/S BODY PANEL-LH *LE* (VDSC)	1	EA	NO LONGER AVAILABLE, Not available online / Call for pricing and availability
Not Shown	C9002598MJ	O/S BODY PANEL-LH *MJ* (VDSC)	1	EA	NO LONGER AVAILABLE
Not Shown	C9002598SG	O/S BODY PANEL-LH *SG* (VDSC)	1	EA	NO LONGER AVAILABLE, Not available online / Call for pricing and availability
Not Shown	C9002598VB	BODY PNL LH 30'REPL C9001922VB	1	EA	NO LONGER AVAILABLE, Not available online / Call for pricing and availability
Not Shown	C9002598WH	BODY PNL LH 30'REPL C9001922WH	1	EA	
44	024152-000	TRIM, SIDE, LH	1	EA	
NI	PB040172	3/8 X 3/8 ORIFICE FITTING (NAT)	1	EA	
NI	PB040050	3/8CC MALE COMP. FITTING W/FERRULE	1	EA	
NI	PB070031	OVEN DR GASKET RH (VGRC48)	1	EA	
NI	PB020113	3/8 SS FLEX TUBING - 52" T6- 52	1	EA	
NI	PB020116	TUBING - 10" FLEXIBLE 12 & 24"	1	EA	
NI	PB020127	3/8" S.S. FLEX TUBING 20" (DGPU)	1	EA	
NI	A2001259	ANTI-TIP DEVICE	1	EA	
NI	003226-000	FJT VALVE - NO NUT/FERRELL	1	EA	



Appendix A:Pages Index

BOTTOM ASSY .....	1
BURNER BOX ASSY .....	2
DOOR ASSY .....	3
OVEN CAVITY ASSY .....	4



Appendix B:Parts Index

000268-000	3	A2007672	2
003226-000	4	A2007675	4
003515-000	2	A2007676	2
003862-000	2	A2007921	2
006197-000	1	A2007946	3
007147-000	2	A2007948	3
008026-000	1	A2007978	4
020409-000	4	A2008456	4
024152-000	4	A2008457	4
024153-000	4	B2001448	4
031449-000	4	B2002597	4
050172-000	2	B2002598	4
A1001146	4	B2007925	3
A1006399	4	B2007987	1
A1007947	3	B3002708	2, 2
A2000210	4	B9207673	2
A2000803	4	C9002597AL	4
A2001112	2	C9002597BK	4
A2001259	4	C9002597BT	4
A2001300	1	C9002597BU	4
A2001351	1	C9002597CB	4
A2001359	4	C9002597EP	4
A2001361	4	C9002597FG	4
A2001414	4	C9002597GG	4
A2001415	4	C9002597LE	4
A2001450	4	C9002597MJ	4
A2001620	4	C9002597SG	4
A2001911	2	C9002597VB	4
A2001912	2	C9002597WH	4
A2002269	1	C9002598AL	4
A2003431	4	C9002598BK	4
A2003495	4	C9002598BT	4
A2004424	1	C9002598BU	4
A2004856	4	C9002598CB	4
A2004857	4	C9002598EP	4
A2006398	4	C9002598FG	4
A2007665	1	C9002598GG	4
A2007666	1	C9002598LE	4
A2007668	1	C9002598MJ	4
A2007669	4	C9002598SG	4
		C9002598VB	4



C9002598WH	4	G3207922BTBR	3
C9007925AL	3	G3207922BU	3
C9007925BK	3	G3207922BUBR	3
C9007925BT	3	G3207922CB	3
C9007925BU	3	G3207922CBBR	3
C9007925CB	3	G3207922EP	3
C9007925EP	3	G3207922EPBR	3
C9007925FG	3	G3207922FG	3
C9007925GG	3	G3207922FGBR	3
C9007925LE	3	G3207922GG	3
C9007925MJ	3	G3207922GGBR	3
C9007925SG	3	G3207922LE	3
C9007925VB	3	G3207922LEBR	3
C9007925WH	3	G3207922MJ	3
C9007987AL	1	G3207922MJBR	3
C9007987BK	1	G3207922SG	3
C9007987BT	1	G3207922SGBR	3
C9007987BU	1	G3207922SS	3
C9007987CB	1	G3207922SSBR	3
C9007987EP	1	G3207922VB	3
C9007987FG	1	G3207922VBBR	3
C9007987GG	1	G3207922WH	3
C9007987LE	1	G3207922WHBR	3
C9007987MJ	1	G50012678	2
C9007987SG	1	G50013584AL	2
C9007987VB	1	G50013584BK	2
C9007987WH	1	G50013584BT	2
E9101366	4	G50013584CB	2
E9101367	4	G50013584EP	2
E9107660	4	G50013584FG	2
E9107988	4	G50013584GG	2
E9108444	4	G50013584LE	2
E9108445	4	G50013584MJ	2
G30010694	2	G50013584SG	2
G3001876	4	G50013584VB	2
G3002719	2	G50013584WH	2
G3207922AL	3	G9107664	4
G3207922ALBR	3	G9107670	1
G3207922BK	3	G9107949	3
G3207922BKBR	3	G93011457PVD	2
G3207922BT	3	J2002593	4



PA020015	2	PB060080	4
PA020028	2, 4	PB070014	3
PA020029	2	PB070031	4
PA020045	2	PB070145	3
PA020047	4	PC020003	3
PA030002AL	2	PC030007	1
PA030002BK	2	PC030017	1
PA030002BT	2	PD020032	3
PA030002CB	2	PE010016	3
PA030002EP	2	PE010017	3
PA030002FG	2	PE010079	3
PA030002GG	2	PE010080	3
PA030002LE	2	PE010081	2
PA030002MJ	2	PE010082	2
PA030002SG	2	PE030001PVD	3
PA030002VB	2	PE030117	3
PA030002WH	2	PE030117PVD	3
PA050112	2	PE050016	2
PA060037	2	PE050017	2
PA060038	2	PE050023	2, 4
PA070003	2	PE050024	2
PA080015	2	PE050057	4
PA080016	2	PE060007	3
PA080036	2	PE060008	3
PA080037	2	PE060018	3
PB010036	2	PE070070	2
PB010084	4	PE070071	2
PB010099	2	PE070128	2
PB010100	2	PE070658	2
PB010206	2	PK000007	2
PB010207	2	PK000008	2
PB010209	2	PK000009	2
PB020113	4	PK000010	2
PB020116	4		
PB020127	4		
PB040001	4		
PB040017	4		
PB040018	4		
PB040050	4		
PB040172	4		
PB060030	4		