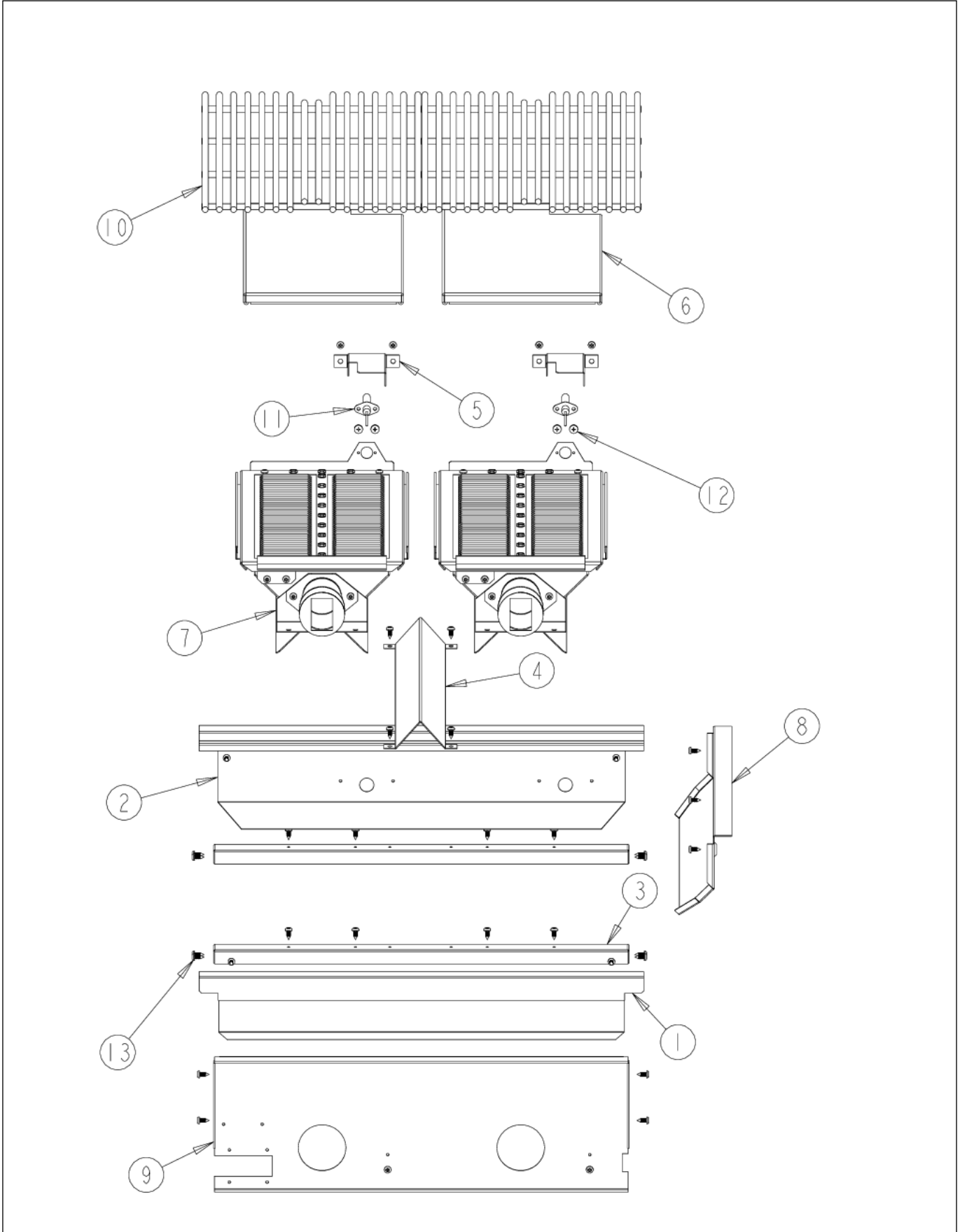


**VGIB242T**

BURNER GRATE AREA .....	1
CONTROL COVER .....	2
DRIP TRAY .....	3
LP GAS CONNECTIONS .....	4
NATURAL GAS CONNECTIONS .....	5
UNIT EXTERIOR .....	6
Appendix A:Pages Index .....	A
Appendix B:Parts Index .....	B



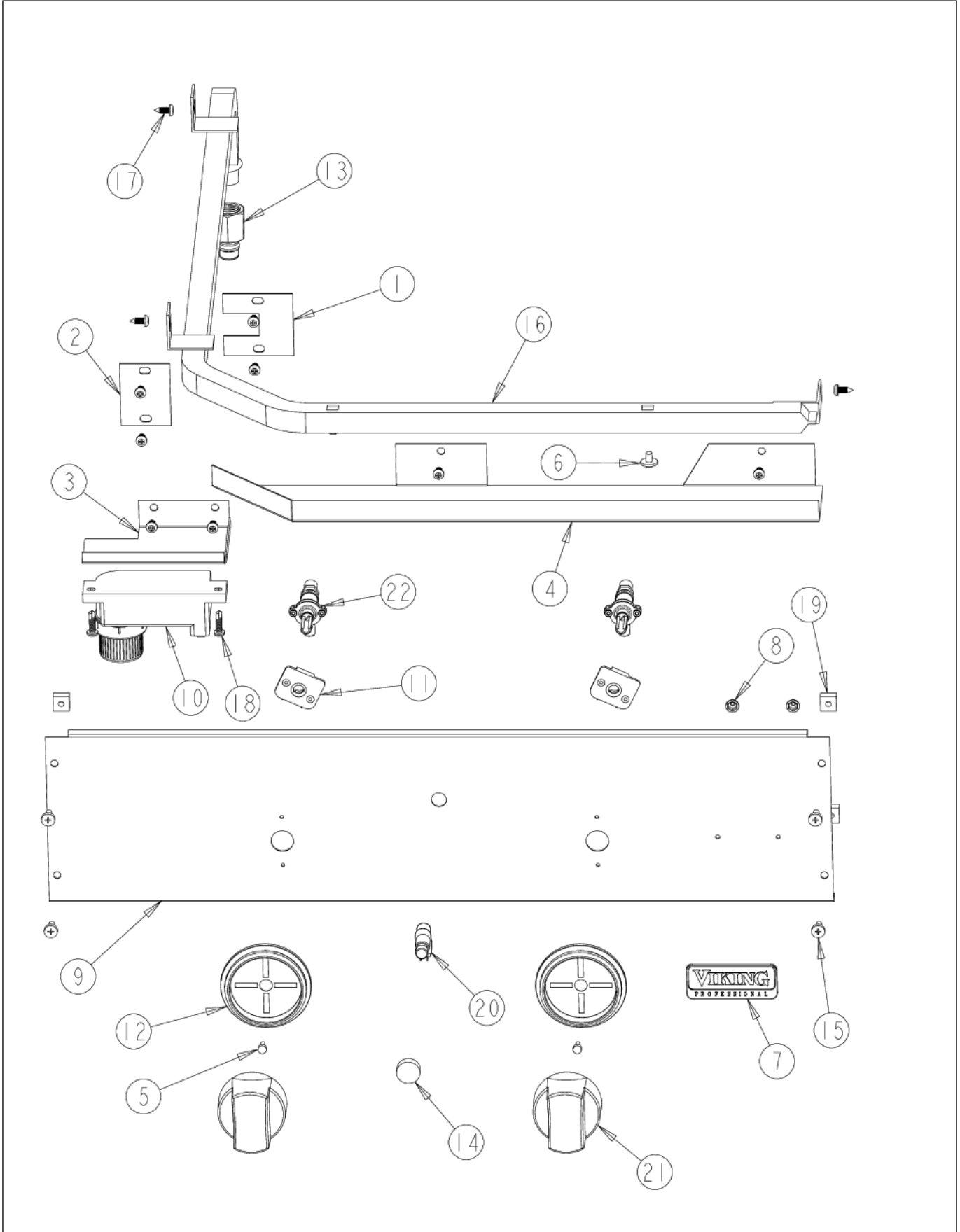
BURNER GRATE AREA





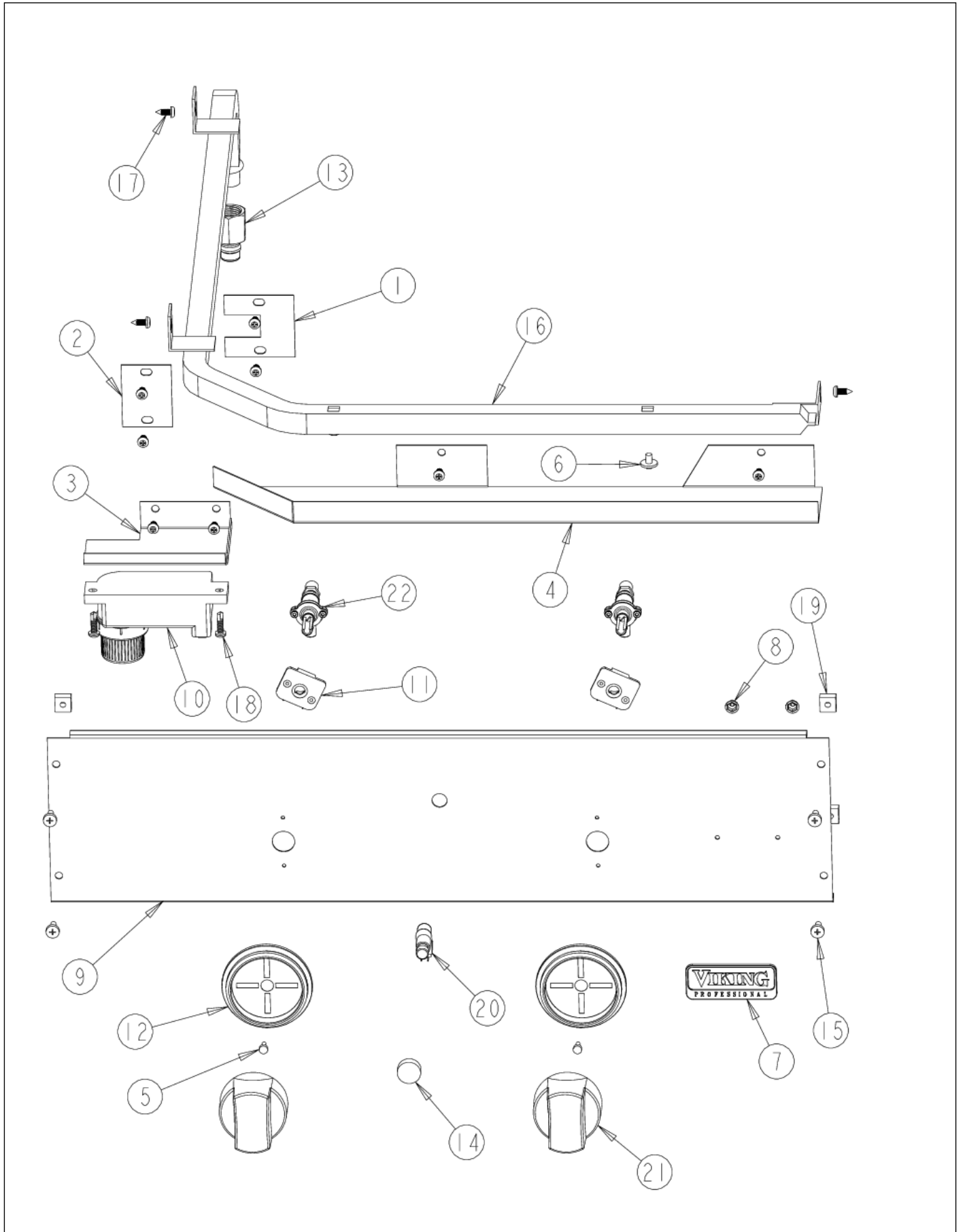
Item	Part No.	Name	Qty	Uom	NOTES
1	B20013858	FRONT GREASE DIVERTER		EA	Not available online / Call for pricing and availability
2	B20013859	REAR GREASE DIVERTER		EA	Not available online / Call for pricing and availability
3	B20013861	BURNER SUPPORT BRACKET		EA	Not available online / Call for pricing and availability
4	B20014948	CENTER HEAT SHIELD		EA	Not available online / Call for pricing and availability
5	B2008939	IR SPARK IGNITOR COVER		EA	
6	B2008943	GREASE SCREEN		EA	
7	G32012223	IR BURNER ASSY, VGIB		EA	
8	B20014921	GREASE DIVERTER		EA	Not available online / Call for pricing and availability
9	B20013860	GRILL BOX FRONT		EA	Not available online / Call for pricing and availability
10	PA060052	Full Grill Grate	2	EA	
10	PA060068	FULL GRATE *SS*	2	EA	
11	008090-000	PB040287 IGNITOR KIT		EA	
12	PD020056	' #10-24 X 1/2" PH.TR. M.S. *SS*		EA	
13	PD020055	' #10 X 1/2" PAN PHIL. TEK.*SS*		EA	
NI	G4006384	WIRE ASSY (VGBQ-T SERIES) 7" NOT FIELD REPLACEABLE		EA	
NI	G4006378	WIRE ASSY (VGBQ-T SERIES) 25"		EA	
NI	G40012269	GRILL WIRE		EA	NO LONGER AVAILABLE, Not available online / Call for pricing and availability
NI	G40014949	WIRE ASSEMBLY - 46"		EA	

CONTROL COVER





Item	Part No.	Name	Qty	Uom	NOTES
1	B10012231	MANIFOLD COVER	1	EA	Not available online / Call for pricing and availability
2	B10012232	MANIFOLD COVER	1	EA	Not available online / Call for pricing and availability
3	B20012222	BRACKET, SPARK MODULE	1	EA	NO LONGER AVAILABLE, Not available online / Call for pricing and availability
4	B20013856	VENTURI COVER	1	EA	Not available online / Call for pricing and availability
5	PD020067	' #6 X 3/8" PAN PHIL. TEK *SS*	1	EA	
6	PD010012	1/4 x 3/8 VALVE BOLT	1	EA	
7	PE010142	3" VIKING LOGO BLACK/CHROME	1	EA	
Not Shown	PE010143	3" LOGO BK/BR	1	EA	
8	PD030006	CAPPED WASHER PAL NUT	1	EA	
9	B92013857	CONTROL PANEL (VGIB241T)	1	EA	Not available online / Call for pricing and availability
10	PA020036	SPARK MODULE	1	EA	
11	PA020045	Spark Ignition Switch	1	EA	
12	050172-000	BEZEL, KNOB	1	EA	
Not Shown	PB010209	Bezel - BR	1	EA	
13	023653-000	Nipple-Coupler Assy	1	EA	
14	PB010163	OVEN LIGHT SWITCH KNOB *BK* (VESO/D	1	EA	
15	PD020056	' #10-24 X 1/2" PH.TR. M.S. *SS*	1	EA	
16	PA050125	24" TRUSEAR GRILLER MANIFOLD	1	EA	
17	PD020055	' #10 X 1/2" PAN PHIL. TEK.*SS*	1	EA	
18	PD020166	#10 X 3/4" PAN PHIL. TEK. *SS*	1	EA	NO LONGER AVAILABLE
19	PD030050	10-24 CAGE NUT *SS*	1	EA	

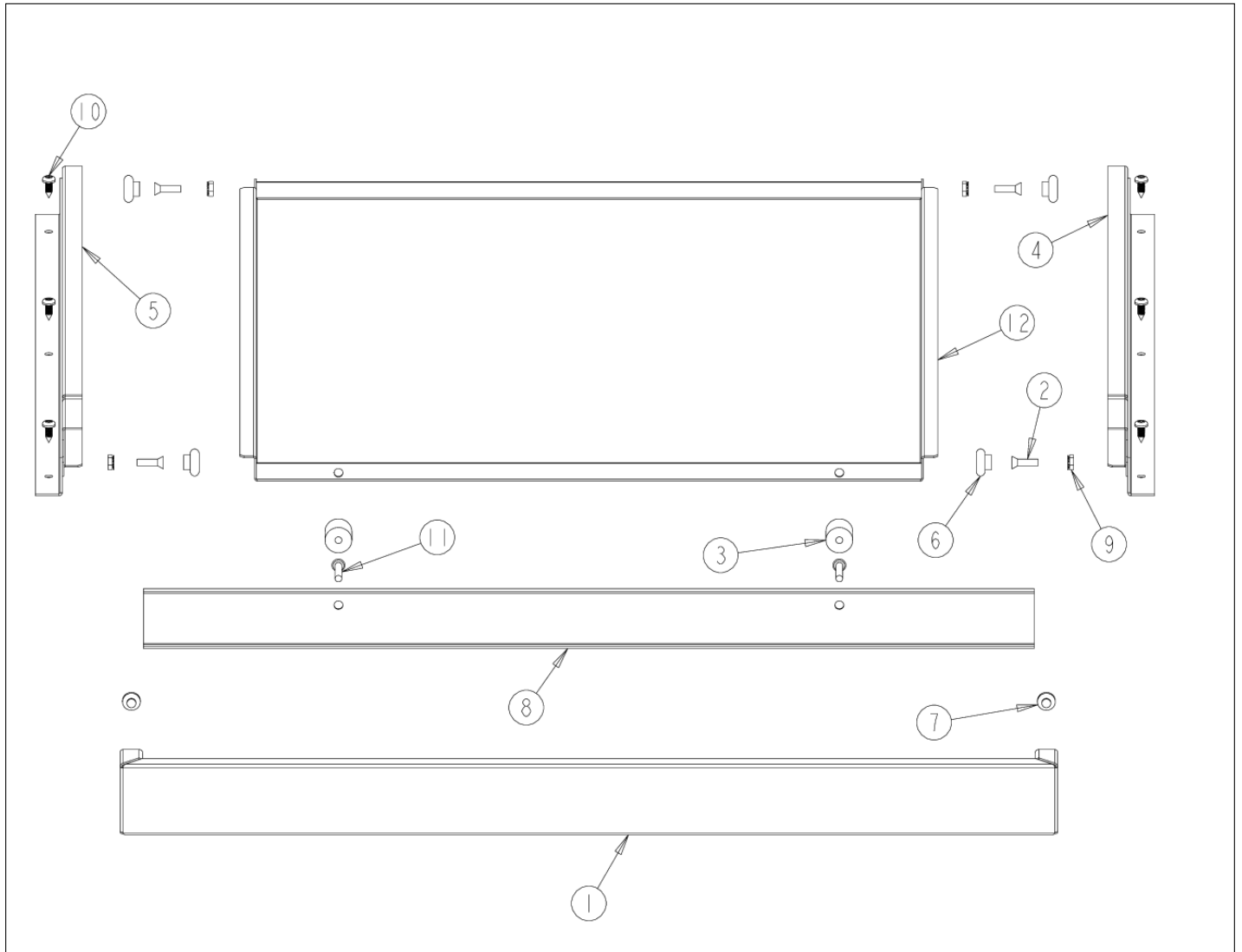






Item	Part No.	Name	Qty	Uom	NOTES
20	PE050063	SPARKER SWITCH (PHASE 2)	1	EA	
21	PA010189	OUTDOOR IR GRILL KNOB	1	EA	
22	PA010190	I/R BURNER VALVE (NAT)	1	EA	
PA01019 1	003572-000	I/R BURNER VALVE (LP)	1	EA	

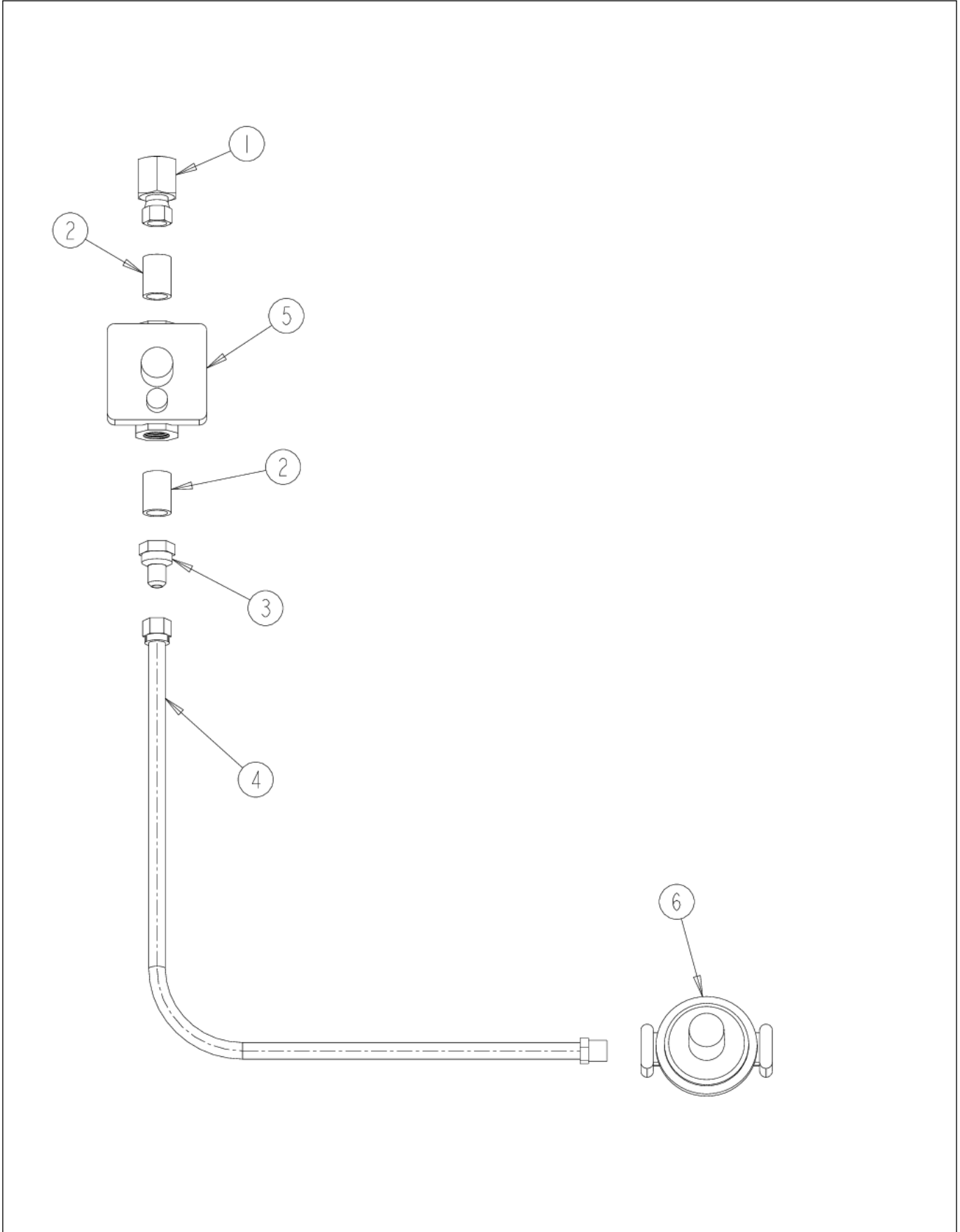
DRIP TRAY





Item	Part No.	Name	Qty	Uom	NOTES
1	G30013864	DRIP TRAY HANDLE	1	EA	Not available online / Call for pricing and availability
2	PD020082	10 X 24 COUNTERSUNK S.S. SCREW	1	EA	
3	PD040028	BUSHING(.194ID/.750OD/.750L ONG)	1	EA	
4	G3005215	DRIP TRAY SLIDE - RH	1	EA	
5	G3005214	DRIP TRAY SLIDE - LH	1	EA	
6	PC020025	DRIP TRAY WHEEL	1	EA	
7	PD040004	GROMMET BUMPER	1	EA	
8	B20013865	HANDLE BACK (VGIB241)	1	EA	
9	PD030044	10-24 KEPS NUT *SS*	1	EA	
10	PD020055	' #10 X 1/2" PAN PHIL. TEK.*SS*	1	EA	
11	PD020079	#10 X 1 1/4 PH. PAN HD. T(A) NYLOK	1	EA	
12	B20013863	DRIP TRAY (VGIB241)	1	EA	
NI	G32013866	DRIP TRAY ASSY (VGIB241T)	1	EA	Not available online / Call for pricing and availability

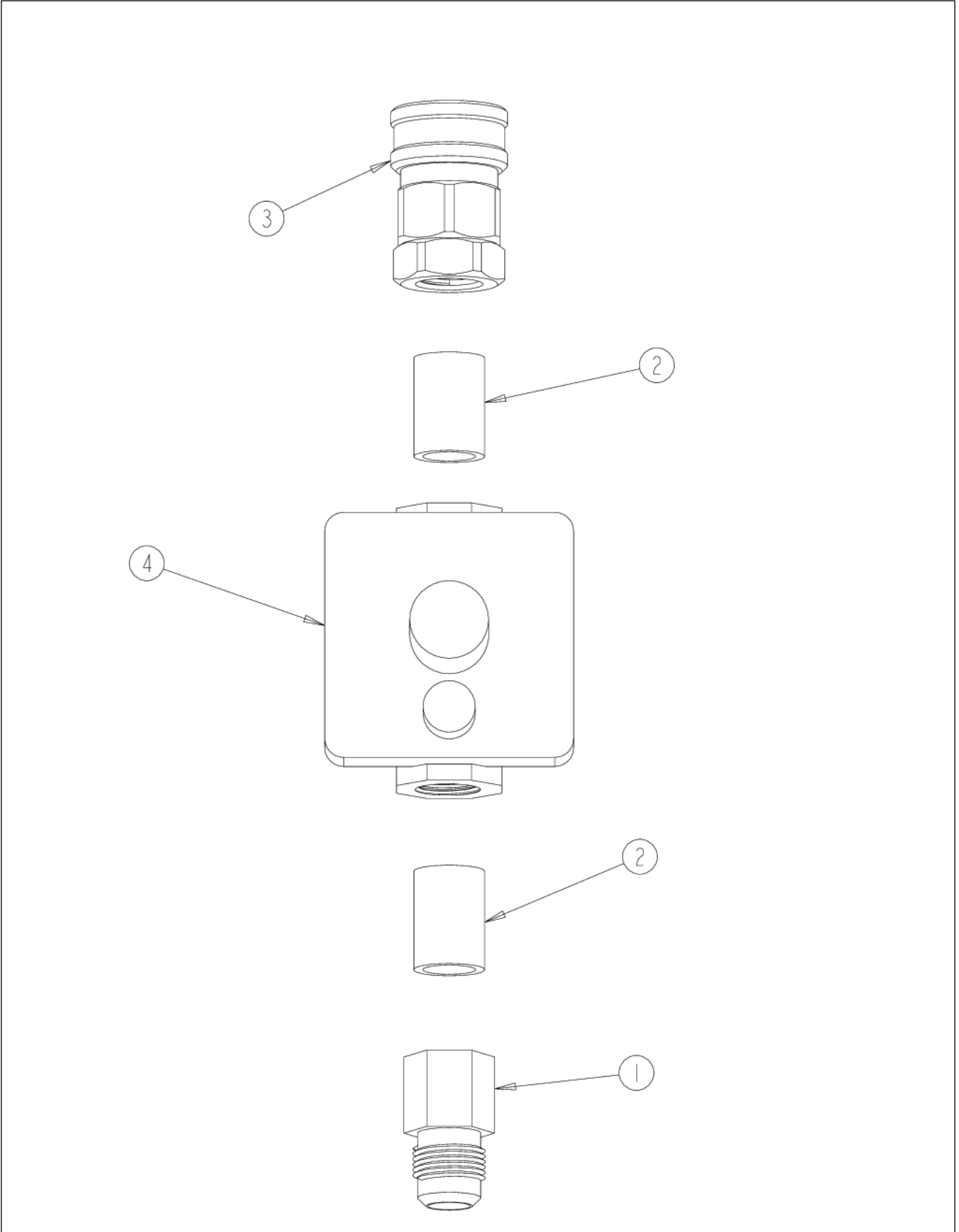
LP GAS CONNECTIONS





Item	Part No.	Name	Qty	Uom	NOTES
1	PB040235	1/2"NPT TO 3/8" FLARE COUPLING	1	EA	
2	PB040046	1/2" CLOSE NIPPLE	1	EA	
3	PB040146	1/2" X 3/8" FLARE ADAPTER (VGBQ)	1	EA	
4	PB020227	HIGH PRESSURE LP HOSE	1	EA	
5	PA070005	PRESSURE REG.(LP) RV47L-77-10.0	1	EA	
6	PA070007	LP TANK REGULATOR (VGBQ)	1	EA	
NI	PA010128	SELECTOR KNOB ASSY	1	EA	
NI	G3004937	REGULATOR ASSY - L.P. W/HOSE	1	EA	

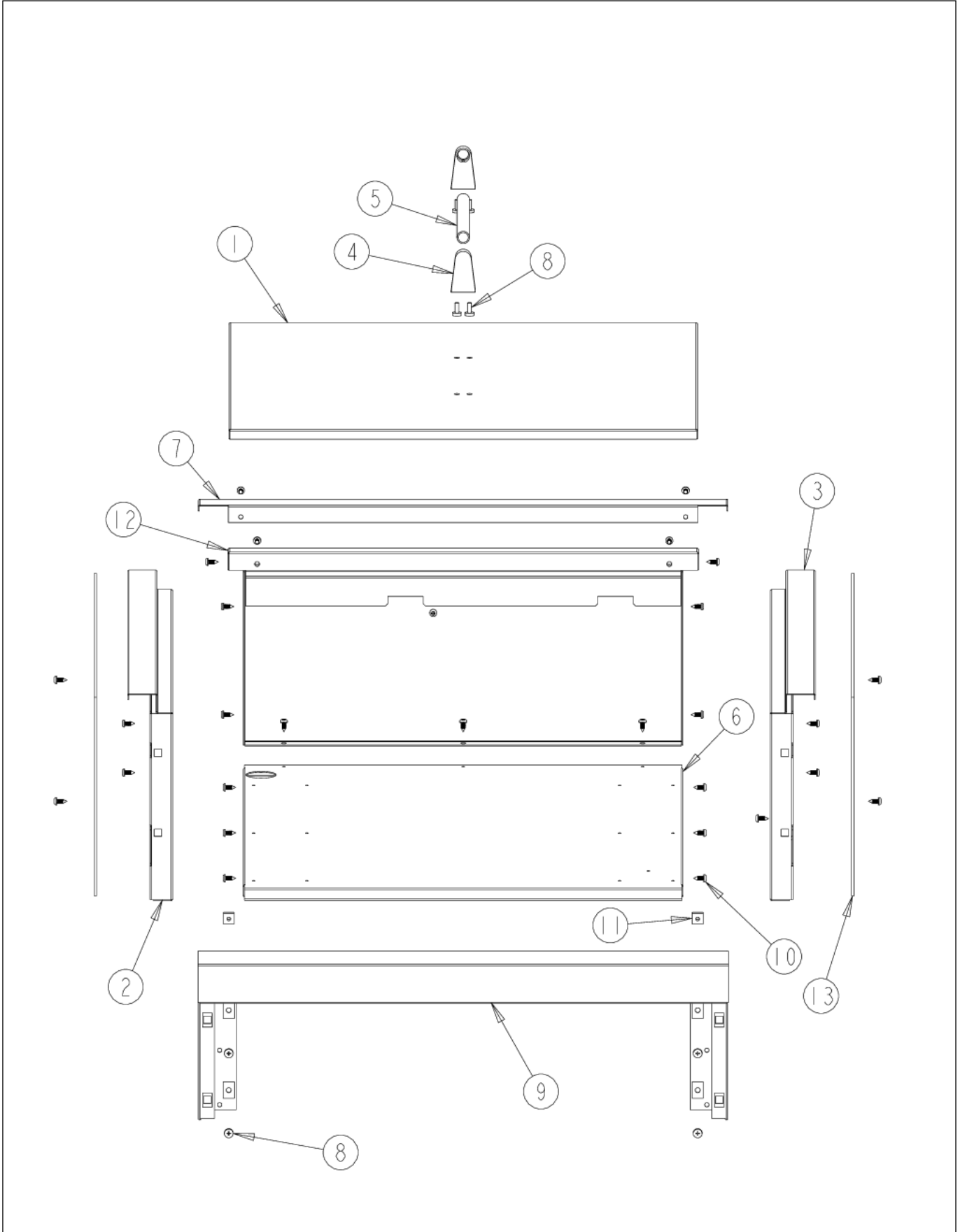
NATURAL GAS CONNECTIONS





Item	Part No.	Name	Qty	Uom	NOTES
1	PB020239	7/8 FLARE TO 1/2 FEMALE CONNECTOR	1	EA	
2	PB040046	1/2" CLOSE NIPPLE	1	EA	
3	023653-000	Nipple-Coupler Assy	1	EA	
4	PA070006	PRESSURE REG.(NAT.)-4"-FOR BBQ GRIL - NLA	1	EA	
NI	G3004936	REGULATOR ASSY - NAT (P1 GRILL)	1	EA	

UNIT EXTERIOR







Item	Part No.	Name	Qty	Uom	NOTES
1	B20013854	COVER (VGIB241T)	1	EA	
2	B20012951	GRILL BOX SIDE, LH	1	EA	
3	B20012950	GRILL BOX SIDE, RH	1	EA	
4	PE030187	HANDLE END CAP *CHROME* OUTDOOR CABINET	1	EA	
5	PE030197	VGIQ30 COVER HANDLE	1	EA	
6	B2006347	OUTDOOR WOK BOTTOM (VGWT241T)	1	EA	NO LONGER AVAILABLE
7	B2006357	OUTDOOR WOK CABINET REAR TRIM P2	1	EA	Not available online / Call for pricing and availability
8	PD020056	' #10-24 X 1/2" PH.TR. M.S. *SS*	1	EA	
9	G3006352	OUTDOOR WOK LANDING LEDGE PHASE II	1	EA	
10	PD020055	' #10 X 1/2" PAN PHIL. TEK.*SS*	1	EA	
11	PD030050	10-24 CAGE NUT *SS*	1	EA	
12	B2006348	SIDE BURNER BOX BACK (VGWT241T)	1	EA	
13	L1005398	Side Heat Shield	1	EA	
NI	G32013855	BURNER COVER	1	EA	
Not Shown	NOTE	(INCLUDES ITEM # 1,4,5,8)		EA	



Appendix A:Pages Index

BURNER GRATE AREA ..... 1  
CONTROL COVER ..... 2  
DRIP TRAY ..... 3  
LP GAS CONNECTIONS ..... 4  
NATURAL GAS CONNECTIONS ..... 5  
UNIT EXTERIOR ..... 6



Appendix B:Parts Index

003572-000	2	PA010189	2
008090-000	1	PA010190	2
023653-000	2, 5	PA020036	2
050172-000	2	PA020045	2
B10012231	2	PA050125	2
B10012232	2	PA060052	1
B20012222	2	PA060068	1
B20012950	6	PA070005	4
B20012951	6	PA070006	5
B20013854	6	PA070007	4
B20013856	2	PB010163	2
B20013858	1	PB010209	2
B20013859	1	PB020227	4
B20013860	1	PB020239	5
B20013861	1	PB040046	4, 5
B20013863	3	PB040146	4
B20013865	3	PB040235	4
B20014921	1	PC020025	3
B20014948	1	PD010012	2
B2006347	6	PD020055	1, 2, 3, 6
B2006348	6	PD020056	1, 2, 6
B2006357	6	PD020067	2
B2008939	1	PD020079	3
B2008943	1	PD020082	3
B92013857	2	PD020166	2
G30013864	3	PD030006	2
G3004936	5	PD030044	3
G3004937	4	PD030050	2, 6
G3005214	3	PD040004	3
G3005215	3	PD040028	3
G3006352	6	PE010142	2
G32012223	1	PE010143	2
G32013855	6	PE030187	6
G32013866	3	PE030197	6
G40012269	1	PE050063	2
G40014949	1		
G4006378	1		
G4006384	1		
L1005398	6		
PA010128	4		