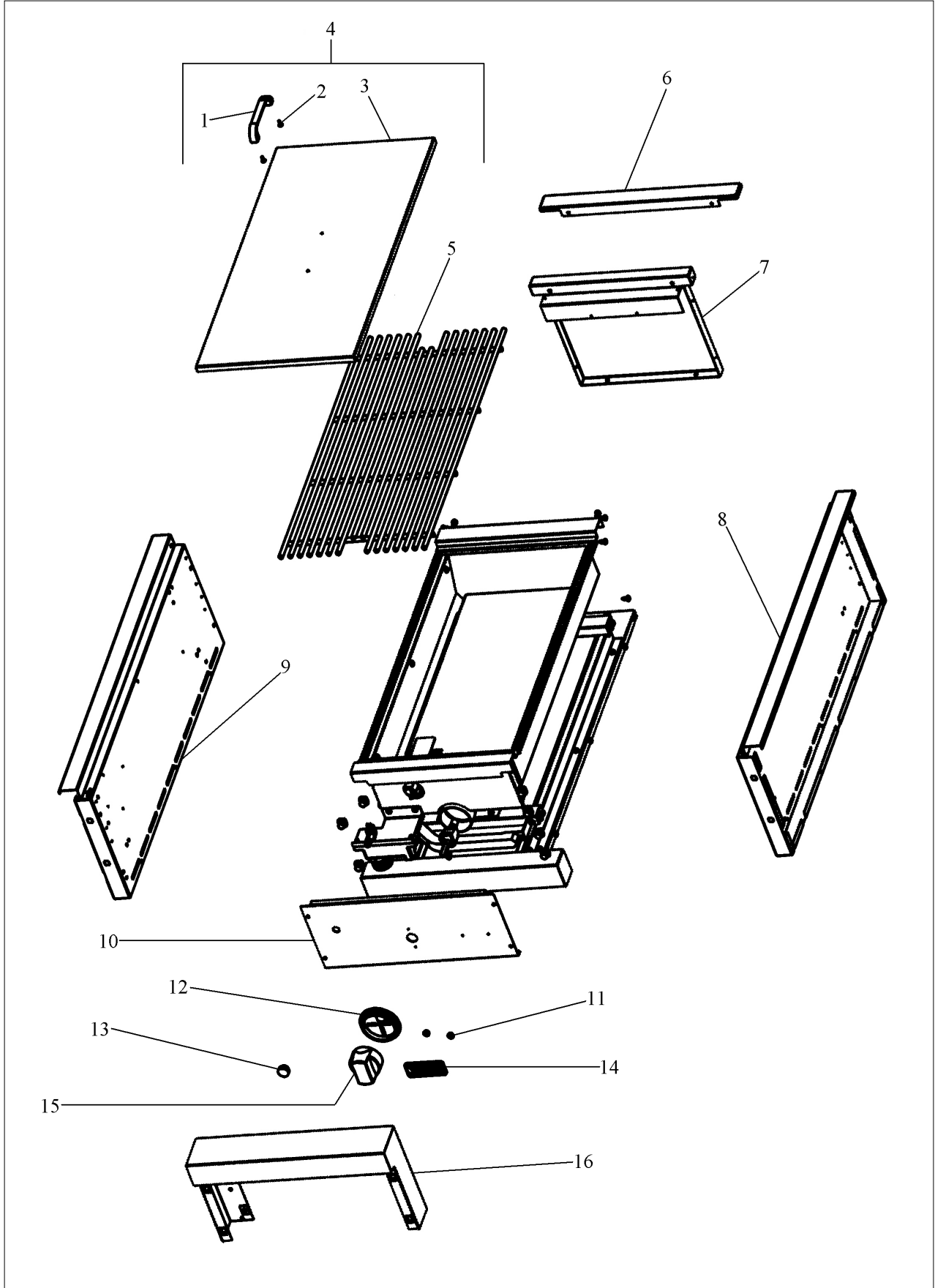


VGIB151T

EXTERIOR ASSY	1
INTERIOR ASSY	2
Appendix A:Pages Index	A
Appendix B:Parts Index	B

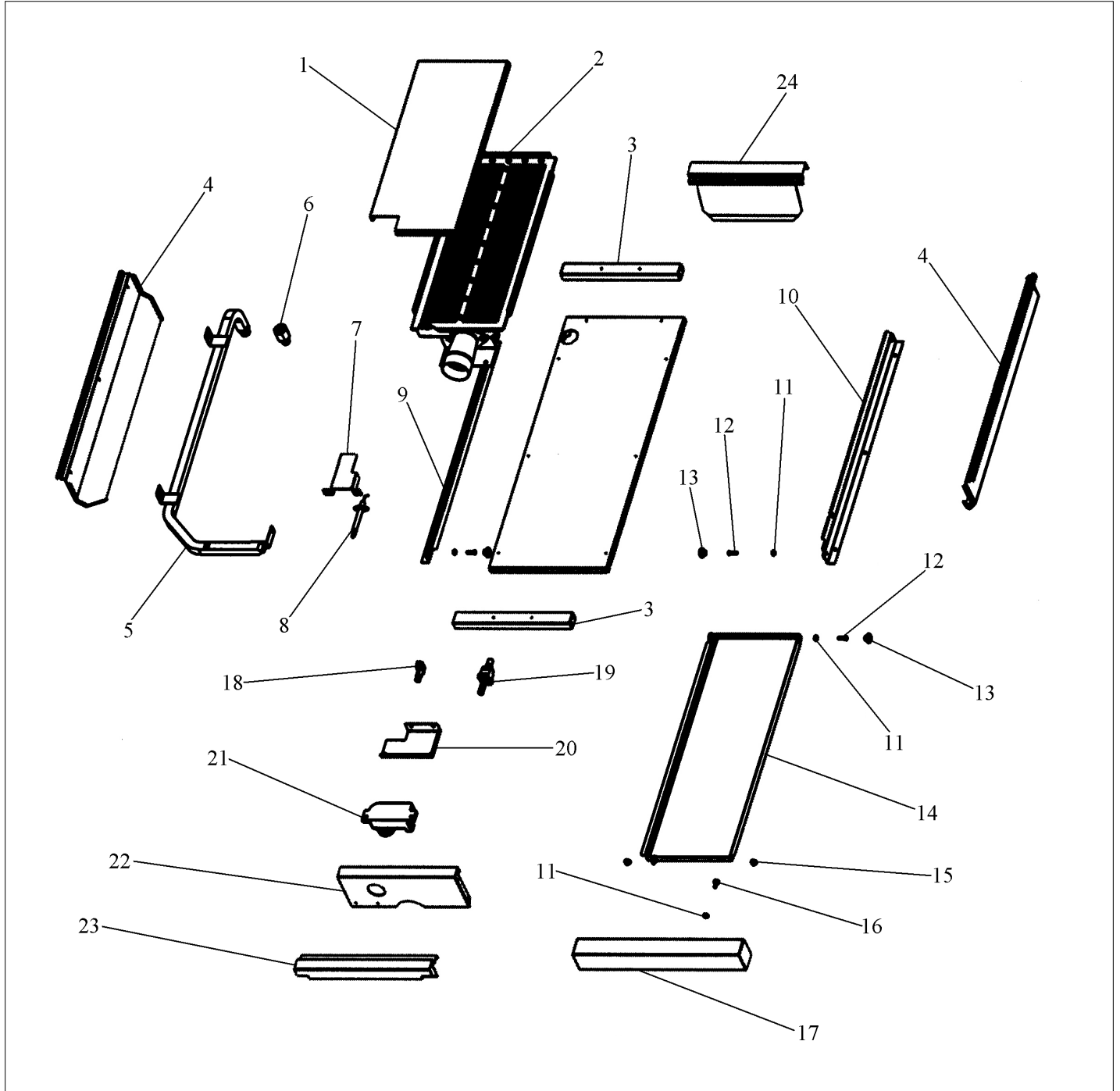
EXTERIOR ASSY





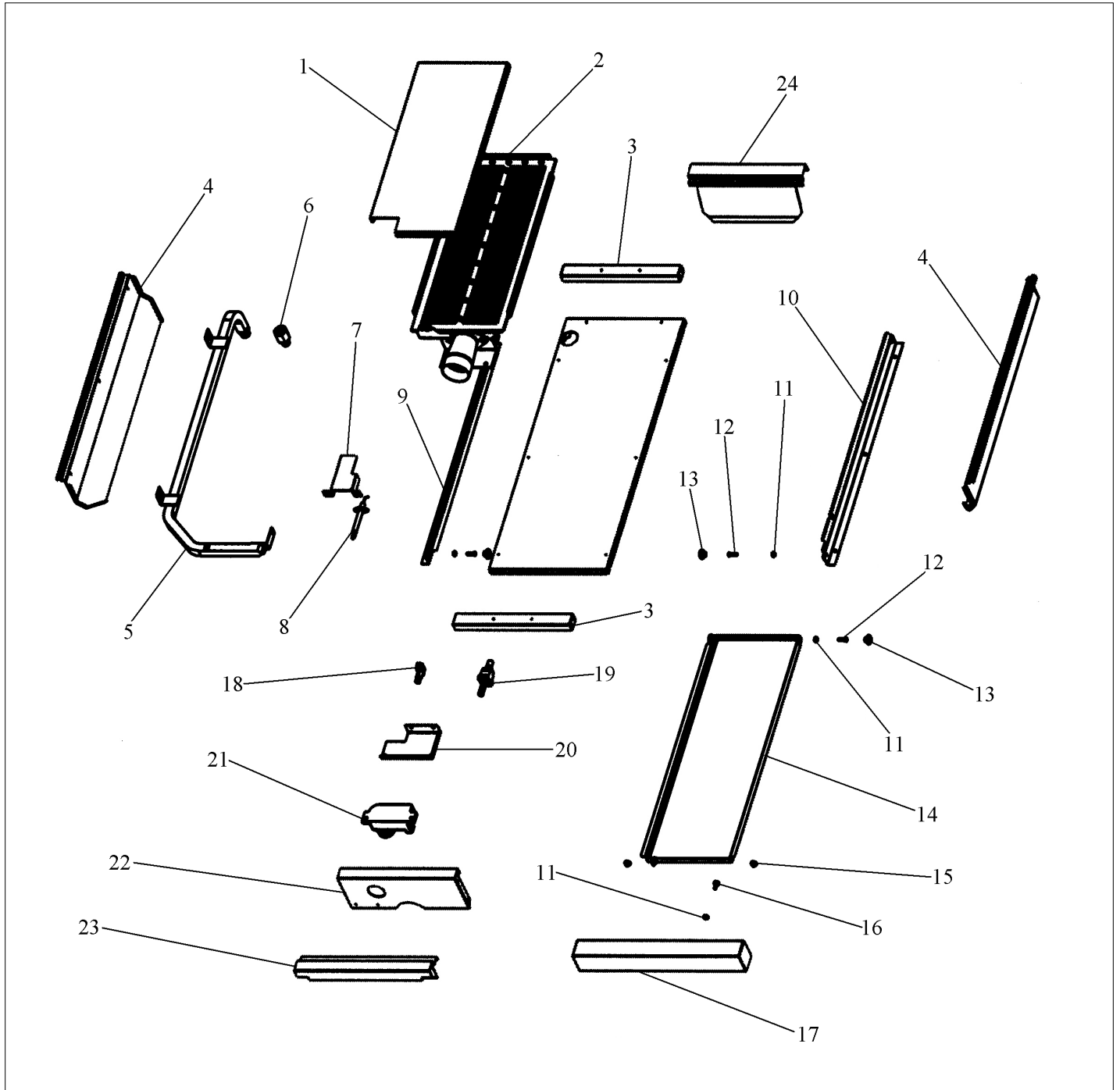
Item	Part No.	Name	Qty	Uom	NOTES
1	PE030042	BURNR COVER HANDL.BBQ48/CH#P44-1010	1	EA	
2	PD020058	8-32 X 3/8 PAN PH MS SS	1	EA	
3	B20012236	GRATE COVER	1	EA	NO LONGER AVAILABLE, Not available online / Call for pricing and availability
4	G32012224	GRATE COVER ASSY, VGIB	1	EA	Not available online / Call for pricing and availability
5	PA060068	FULL GRATE *SS*	1	EA	
6	B2005339	SIDE BURNER REAR TRIM	1	EA	Not available online / Call for pricing and availability
7	B2005332	SIDE BURNER BOX BACK PHASE 2	1	EA	Not available online / Call for pricing and availability
8	B2006306	GRILL BOX SIDE RH NON- ROTIS	1	EA	NO LONGER AVAILABLE
9	B2005204	Grill Box Side - LH	1	EA	
10	B92012241	CONTROL PANEL, VGIB151	1	EA	NO LONGER AVAILABLE
11	PD030006	CAPPED WASHER PAL NUT	1	EA	
12	050172-000	BEZEL, KNOB	1	EA	
Not Shown	PB010209	Bezel - BR	1	EA	
13	PB010163	OVEN LIGHT SWITCH KNOB *BK* (VESO/D	1	EA	
14	PE010142	3" VIKING LOGO BLACK/CHROME	1	EA	
Not Shown	PE010143	3" LOGO BK/BR	1	EA	
15	PA010140	OUTDOOR IR GRILL KNOB	1	EA	
16	G3005335	LANDING LEDGE ASSY- S/BURNER (PH2)	1	EA	

INTERIOR ASSY





Item	Part No.	Name	Qty	Uom	NOTES
1	B2008943	GREASE SCREEN	1	EA	
2	G32012223	IR BURNER ASSY, VGIB	1	EA	
3	B20012235	BURNER SUPPORT BRACKET	1	EA	NO LONGER AVAILABLE, Not available online / Call for pricing and availability
4	B20012237	GREASE DIVERTER	1	EA	NO LONGER AVAILABLE, Not available online / Call for pricing and availability
5	PA050111	MANIFOLD, VGIB	1	EA	NO LONGER AVAILABLE, Not available online / Call for pricing and availability
6	023653-000	Nipple-Coupler Assy	1	EA	
7	B2008939	IR SPARK IGNITOR COVER	1	EA	
8	008090-000	PB040287 IGNITOR KIT	1	EA	
9	G3005214	DRIP TRAY SLIDE - LH	1	EA	
10	G3005215	DRIP TRAY SLIDE - RH	1	EA	
11	PD030044	10-24 KEPS NUT *SS*	1	EA	
12	PD020082	10 X 24 COUNTERSUNK S.S. SCREW	1	EA	
13	PC020025	DRIP TRAY WHEEL	1	EA	
14	B2005336	SIDE BURNER DRIP TRAY	1	EA	Not available online / Call for pricing and availability
15	PD040004	GROMMET BUMPER	1	EA	
16	PD020056	' #10-24 X 1/2" PH.TR. M.S. *SS*	1	EA	
17	B3005337	SIDE BURNER DRIP TRAY HANDLE	1	EA	
18	PE050063	SPARKER SWITCH (PHASE 2)	1	EA	
19	003554-000	PA010141 VALVE AND BOLT KIT	1	EA	
20	B20012222	BRACKET, SPARK MODULE	1	EA	NO LONGER AVAILABLE, Not available online / Call for pricing and availability
21	PA020036	SPARK MODULE	1	EA	





Item	Part No.	Name	Qty	Uom	NOTES
22	B20012239	GRILL BOX FRONT, IR SB	1	EA	NO LONGER AVAILABLE, Not available online / Call for pricing and availability
23	B20012240	FRONT GRATE SUPPORT	1	EA	NO LONGER AVAILABLE
24	B20012238	REAR GRATE SUPPORT	1	EA	NO LONGER AVAILABLE, Not available online / Call for pricing and availability
NI	G3004936	REGULATOR ASSY - NAT (P1 GRILL)	1	EA	
NI	G3004937	REGULATOR ASSY - L.P. W/HOSE	1	EA	



Appendix A:Pages Index

EXTERIOR ASSY 1
INTERIOR ASSY 2



Appendix B:Parts Index

003554-000	2	PE010142	1
008090-000	2	PE010143	1
023653-000	2	PE030042	1
050172-000	1	PE050063	2
B20012222	2		
B20012235	2		
B20012236	1		
B20012237	2		
B20012238	2		
B20012239	2		
B20012240	2		
B2005204	1		
B2005332	1		
B2005336	2		
B2005339	1		
B2006306	1		
B2008939	2		
B2008943	2		
B3005337	2		
B92012241	1		
G3004936	2		
G3004937	2		
G3005214	2		
G3005215	2		
G3005335	1		
G32012223	2		
G32012224	1		
PA010140	1		
PA020036	2		
PA050111	2		
PA060068	1		
PB010163	1		
PB010209	1		
PC020025	2		
PD020056	2		
PD020058	1		
PD020082	2		
PD030006	1		
PD030044	2		
PD040004	2		