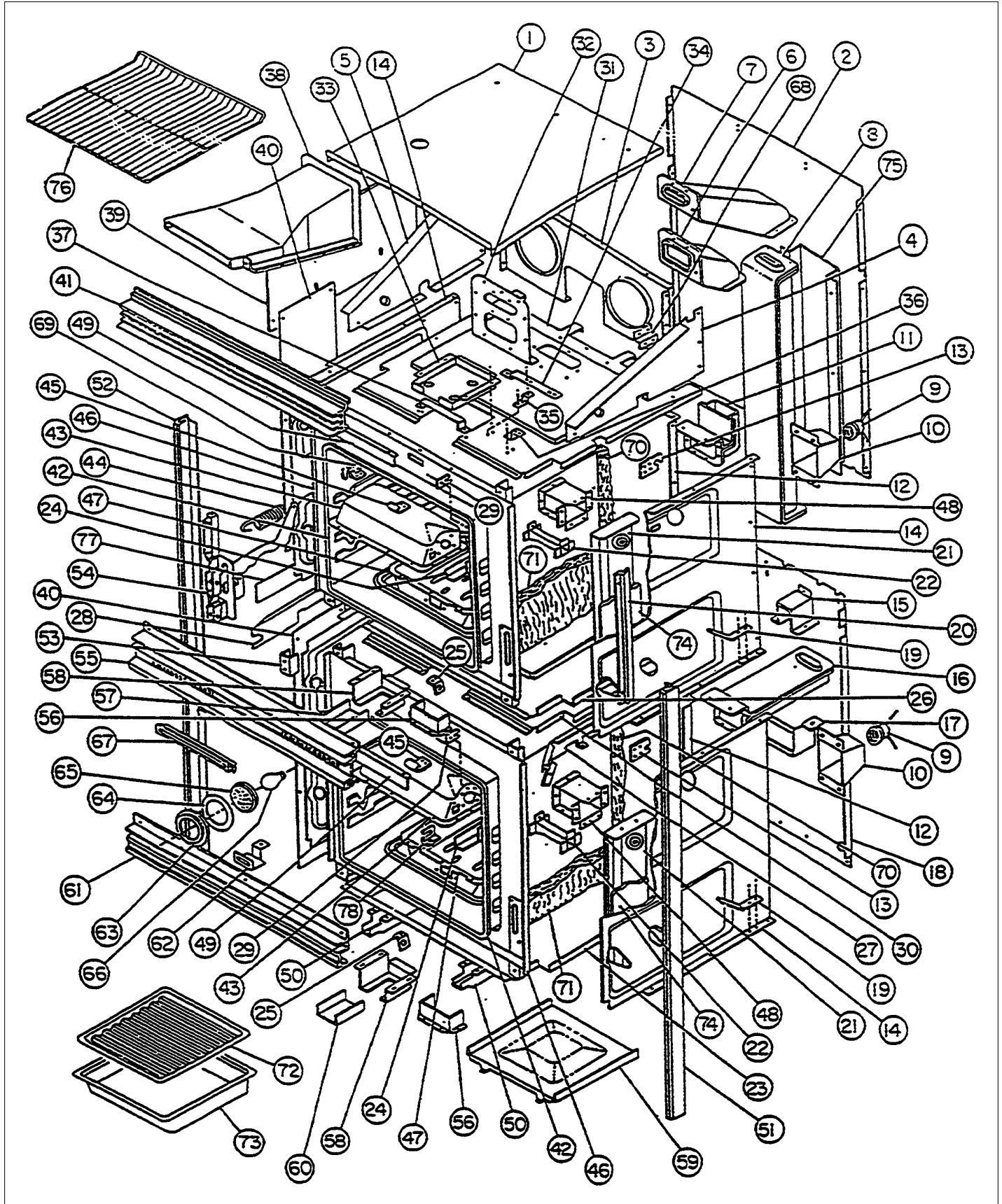


VGDO270

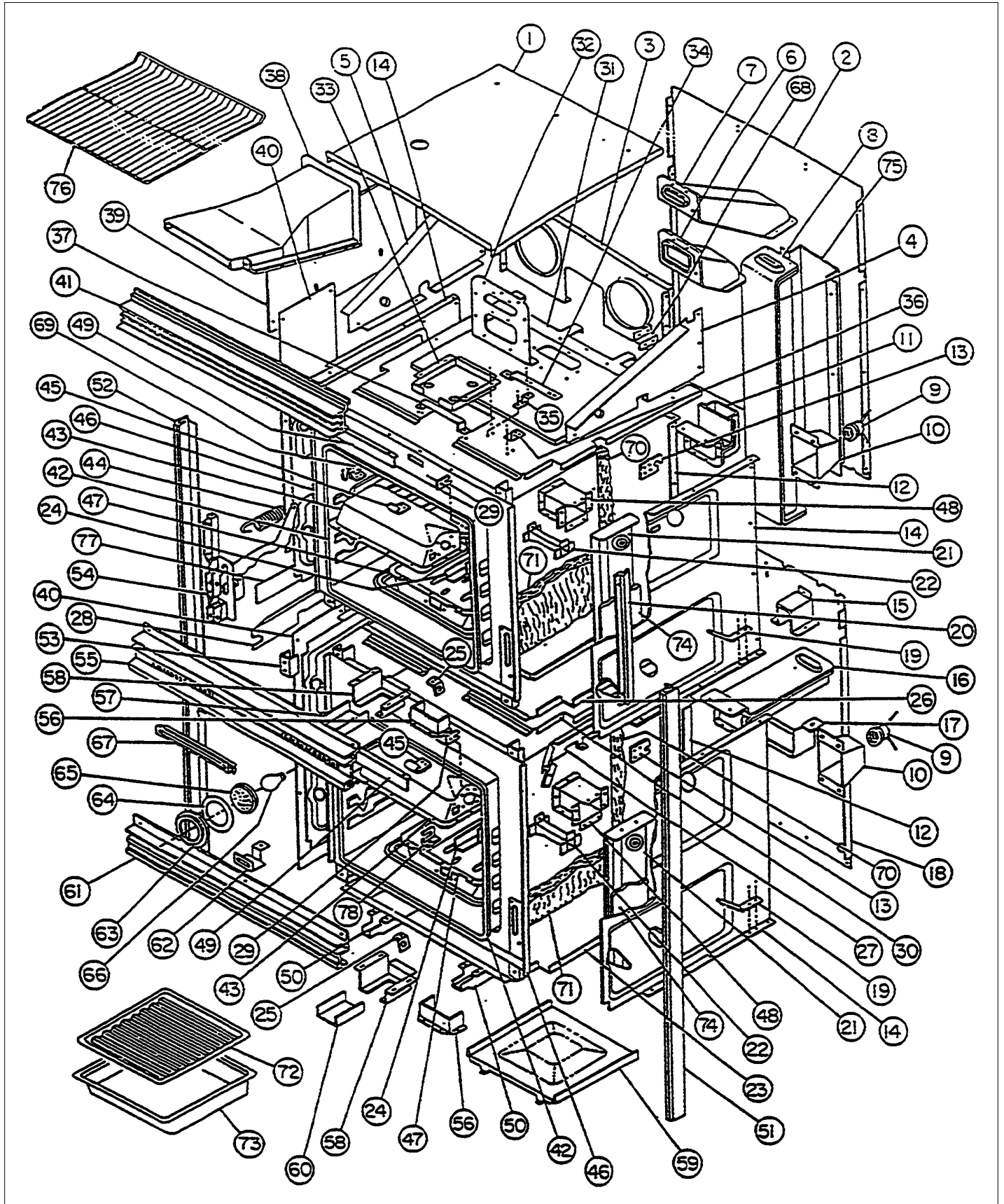
CABINET SECTION	1
CONTROL COMPARTMENT	2
CONTROL PANEL	3
DOOR ASSY	4
DOOR LATCH ASSY	5
GAS COMPONENTS	6
Appendix A:Pages Index	A
Appendix B:Parts Index	B

CABINET SECTION



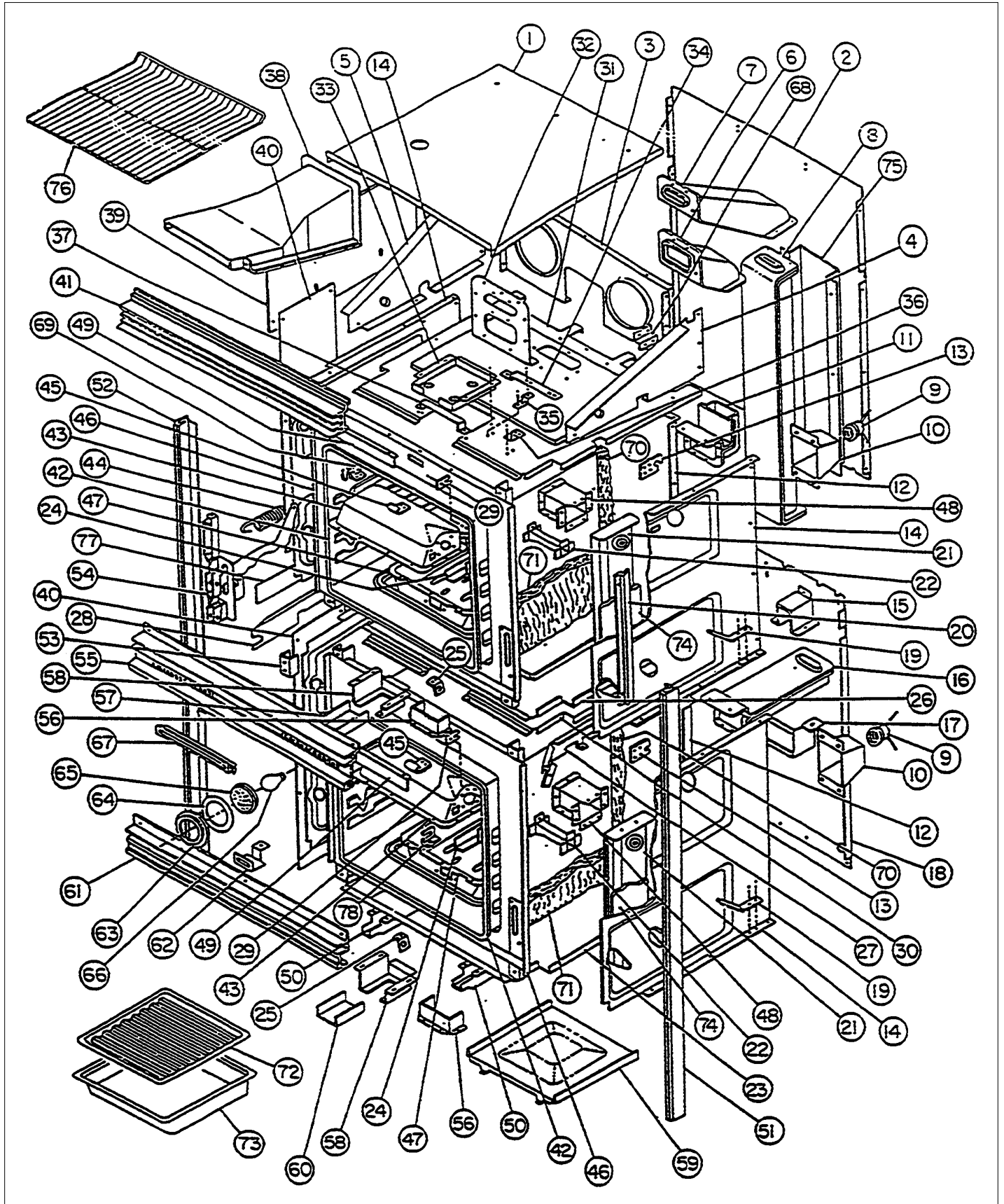


Item	Part No.	Name	Qty	Uom	NOTES
1	PG110005	TOP CABINET 0060843	1	EA	NO LONGER AVAILABLE
2	PG110006	BACK CABINET UPPER 0059744	1	EA	NO LONGER AVAILABLE, Not available online / Call for pricing and availability
3	PG110007	CONTROL COMPARTMENT BACK 0060841	1	EA	NO LONGER AVAILABLE, Not available online / Call for pricing and availability
4	PG110008	CONTROL COMPARTMENT- R.H.	1	EA	NO LONGER AVAILABLE, Not available online / Call for pricing and availability
5	PG110009	CONTROL COMPARTMENT- L.H.	1	EA	NO LONGER AVAILABLE, Not available online / Call for pricing and availability
6	PG110010	FLUE W/A UPPER OVEN 0060799	1	EA	NO LONGER AVAILABLE, Not available online / Call for pricing and availability
7	PG110011	FLUE W/A LOWER OVEN 0060805	1	EA	NO LONGER AVAILABLE, Not available online / Call for pricing and availability
8	PG110012	FLUE VERTICAL LOWER OVEN 0060808	1	EA	NO LONGER AVAILABLE, Not available online / Call for pricing and availability
9	PG110031	OVEN LAMP SOCKET	1	EA	
10	PG110030	LAMP CUP	1	EA	NO LONGER AVAILABLE, Not available online / Call for pricing and availability
11	PG110013	FLUE W/A VERT UPPER OVEN 0060802	1	EA	NO LONGER AVAILABLE, Not available online / Call for pricing and availability
12	PG110014	REAR INSULATION RETAINER	1	EA	NO LONGER AVAILABLE, Not available online / Call for pricing and availability



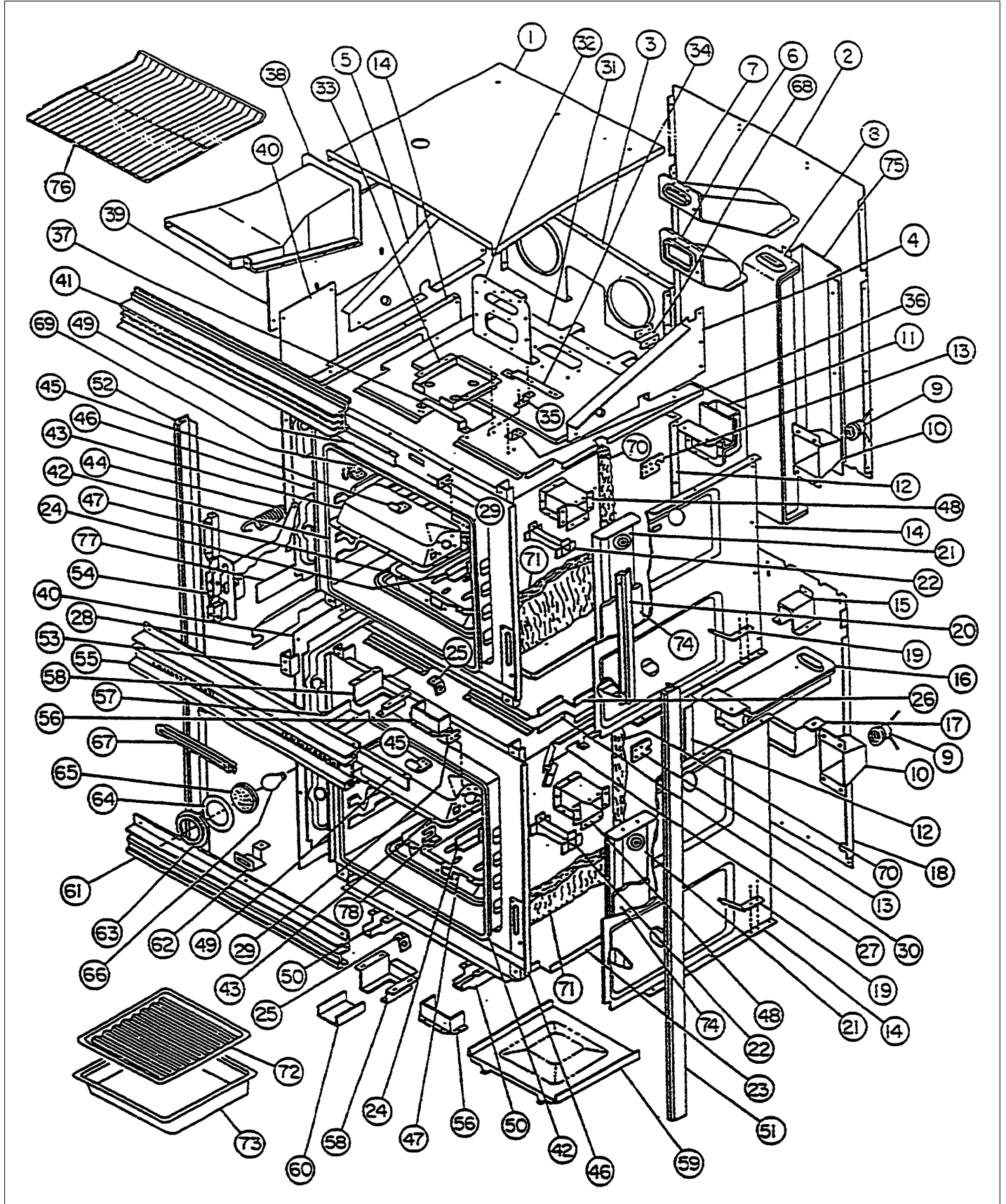


Item	Part No.	Name	Qty	Uom	NOTES
13	PG100013	BRACKET OVEN MOUNTING 0041017	1	EA	NO LONGER AVAILABLE, Not available online / Call for pricing and availability
14	PE130011	RETAINER SIDE INSULATION 0060774	1	EA	NO LONGER AVAILABLE, Not available online / Call for pricing and availability
15	PG100014	REAR OVEN SUPPORT	1	EA	NO LONGER AVAILABLE, Not available online / Call for pricing and availability
16	PG110015	FLUE HORIZONTAL W/A 0060811	1	EA	NO LONGER AVAILABLE, Not available online / Call for pricing and availability
17	PG110016	RETAINER INSULATION FLUE 0060784	1	EA	NO LONGER AVAILABLE, Not available online / Call for pricing and availability
18	PG110017	SUB TO PE130012 - BACK LOWER CABINET	1	EA	NO LONGER AVAILABLE, Not available online / Call for pricing and availability
19	PE130014	RETAINER SPRING 0060759	1	EA	
20	PG110018	CAPILLARY COVER	1	EA	NO LONGER AVAILABLE, Not available online / Call for pricing and availability
21	PG110019	AIR DUCT VERTICAL W/A 0060819	1	EA	NO LONGER AVAILABLE, Not available online / Call for pricing and availability
22	PG110020	WIRE PROTECTOR W/A 0060787	1	EA	
23	PG110021	LOWER OVEN BOTTOM	1	EA	NO LONGER AVAILABLE, Not available online / Call for pricing and availability
24	PG110022	THERMAL BULB SHIELD	1	EA	



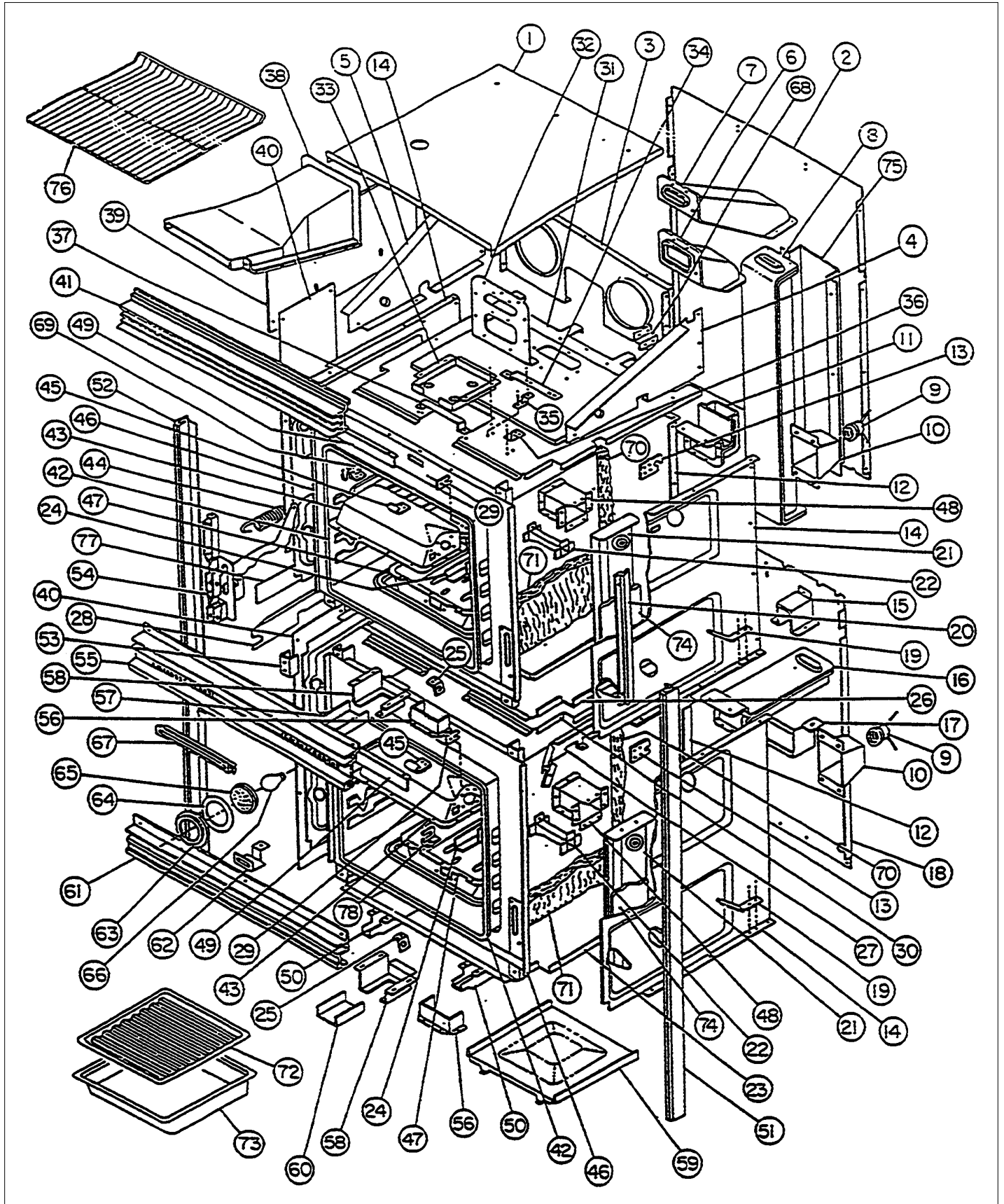


Item	Part No.	Name	Qty	Uom	NOTES
25	PG100015	BRACKET BAKE ORIFICE 0060846	1	EA	NO LONGER AVAILABLE, Not available online / Call for pricing and availability
26	PG110023	OVEN BOTTOM W/A UPPER 0059593	1	EA	NO LONGER AVAILABLE
27	PG110024	CHANNEL AIR RIGHT 0060835	1	EA	NO LONGER AVAILABLE, Not available online / Call for pricing and availability
28	PG110025	CHANNEL AIR LEFT 0060834	1	EA	NO LONGER AVAILABLE, Not available online / Call for pricing and availability
29	PG110026	CAPILLARY HOLE COVER	1	EA	
30	PG110027	OVEN TOP LOWER OVEN 0060837	1	EA	NO LONGER AVAILABLE, Not available online / Call for pricing and availability
31	PG110028	TOP OVEN UPPER OVEN 0060829	1	EA	NO LONGER AVAILABLE, Not available online / Call for pricing and availability
32	PG100016	BRACKET FLUE SUPPORT 0060824	1	EA	NO LONGER AVAILABLE, Not available online / Call for pricing and availability
33	PG100017	DOOR LATCH BRACKET	1	EA	NO LONGER AVAILABLE, Not available online / Call for pricing and availability
34	PG100006	SOLENOID LEVER 0060832	1	EA	NO LONGER AVAILABLE
35	PG100007	SOLENOID LEVER BRACKET	1	EA	NO LONGER AVAILABLE
36	PG100008	SOLENOID BRACKET	1	EA	NO LONGER AVAILABLE
37	PG110029	TERMINAL SHIELD	1	EA	NO LONGER AVAILABLE, Not available online / Call for pricing and availability



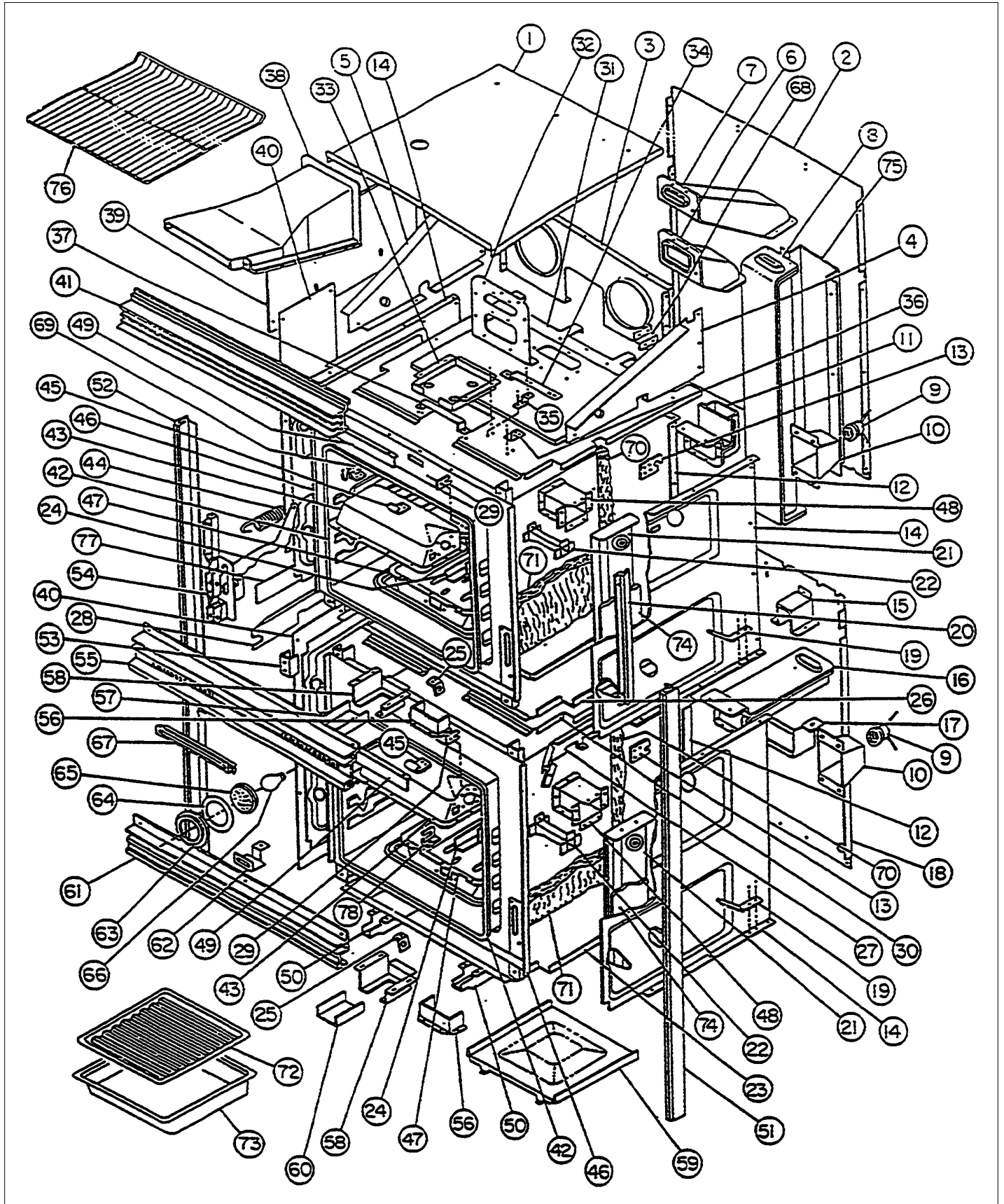


Item	Part No.	Name	Qty	Uom	NOTES
38	PG110032	FLUE-WAY CONTROL PANEL 31824201	1	EA	NO LONGER AVAILABLE, Not available online / Call for pricing and availability
39	PG110035	SIDE CABINET UPPER 0060770	1	EA	NO LONGER AVAILABLE, Not available online / Call for pricing and availability
40	PG110036	PANEL SIDE 0052366	1	EA	NO LONGER AVAILABLE, Not available online / Call for pricing and availability
41	PE100005	CONTROL PANEL BOTTOM TRIM	1	EA	NO LONGER AVAILABLE
42	PG120005	OVEN CAVITY	1	EA	NO LONGER AVAILABLE, Not available online / Call for pricing and availability
43	PG120006	CHAMBER BROIL BURNER 0059415	1	EA	NO LONGER AVAILABLE
44	NO LONGER AVAILABLE	OVEN DOOR SPRING - PE120004	1	EA	
45	PG120007	CLIP COVER	1	EA	NO LONGER AVAILABLE, Not available online / Call for pricing and availability
46	NON-REPLACABLE	FRONT FRAME	1	EA	
47	PG120009	BURNER BOX BAKE 0060847	1	EA	NO LONGER AVAILABLE
48	PG120010	AIR DUCT	1	EA	NO LONGER AVAILABLE, Not available online / Call for pricing and availability
49	PG120011	CLIP COVER	1	EA	NO LONGER AVAILABLE, Not available online / Call for pricing and availability
50	PG100018	RUNNER BASE 0060849	1	EA	NO LONGER AVAILABLE
51	PE100013	SIDE TRIM-R.H.	1	EA	NO LONGER AVAILABLE
52	PE100016	SIDE TRIM-L.H. 0301887	1	EA	NO LONGER AVAILABLE



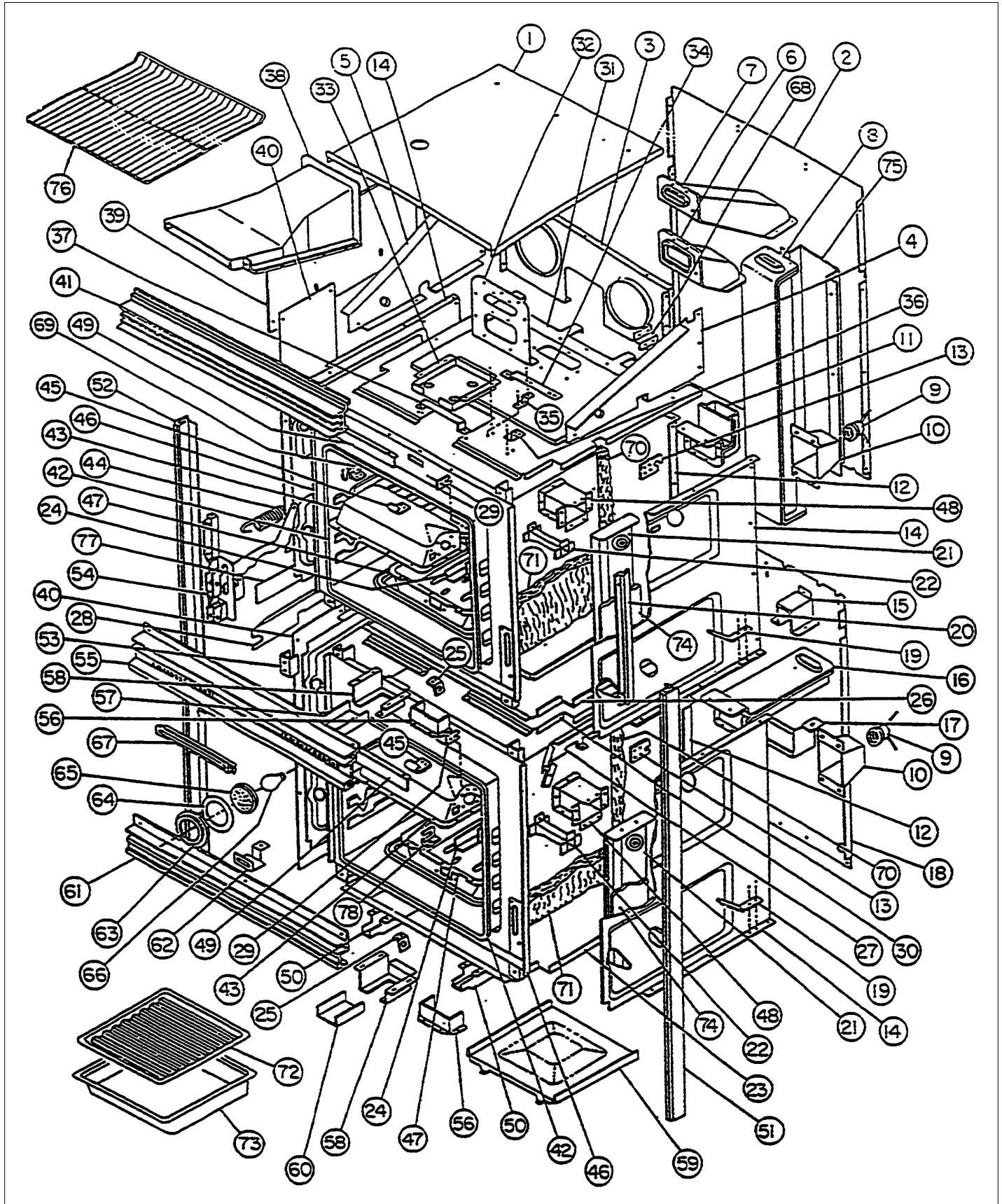


Item	Part No.	Name	Qty	Uom	NOTES
53	PE100020	SUPPORT OVEN FRONT 0060838 - NLA	1	EA	NO LONGER AVAILABLE
54	PG100019	HINGE ASSEMBLY	1	EA	
55	PE100018	TRIM CENTER 0301884	1	EA	NO LONGER AVAILABLE, Not available online / Call for pricing and availability
56	PG120012	RETAINER ORIFICE INSULATION 0060823	1	EA	
57	PG120013	CHANNEL AIR-UPPER BAKE 0054274	1	EA	NO LONGER AVAILABLE, Not available online / Call for pricing and availability
58	PG120014	SHIELD BAKE ORIFICE 0060814	1	EA	NO LONGER AVAILABLE
59	PG120015	OVEN BOTTOM ASSEMBLY	1	EA	
60	PG120016	CHANNEL AIR-LOWER BAKE 0054275	1	EA	NO LONGER AVAILABLE, Not available online / Call for pricing and availability
61	PE100014	BOTTOM TRIM	1	EA	
62	PG100020	BRACKET MTG OVEN BURNER 0060766	1	EA	NO LONGER AVAILABLE, Not available online / Call for pricing and availability
63	PG110038	OVEN LIGHT LENS RETAINER	1	EA	NO LONGER AVAILABLE, Not available online / Call for pricing and availability
64	PG110039	OVEN LIGHT GASKET	1	EA	
65	PG110033	OVEN LIGHT LENS	1	EA	
66	PG110034	OVEN LAMP	1	EA	
67	PG100021	LATCH HANDLE GUIDE	1	EA	NO LONGER AVAILABLE, Not available online / Call for pricing and availability
68	PG100022	RELAY MOUNTING BRACKET	1	EA	NO LONGER AVAILABLE, Not available online / Call for pricing and availability





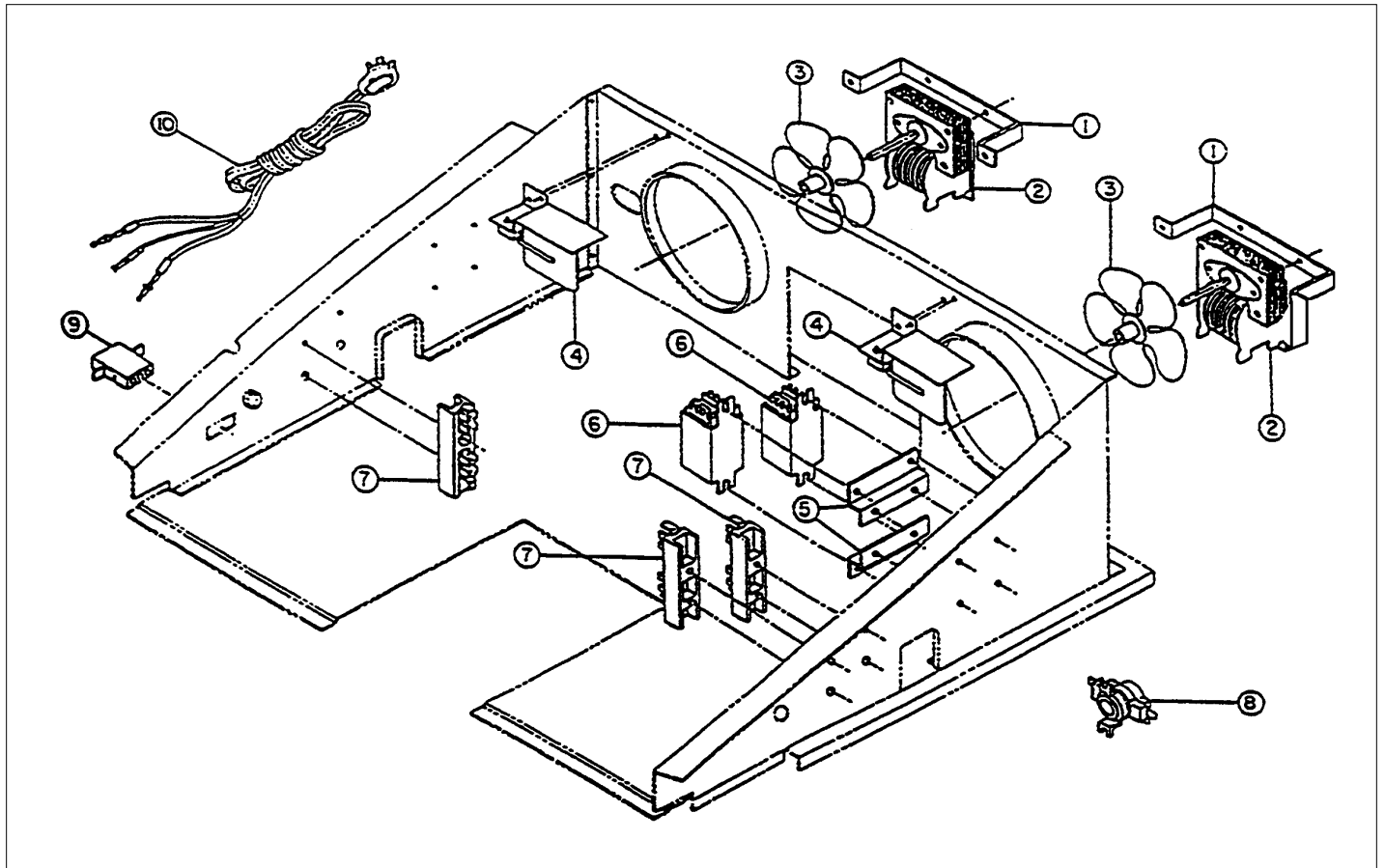
Item	Part No.	Name	Qty	Uom	NOTES
69	PG100023	BROIL BURNER MOUNTING BRACKET	1	EA	NO LONGER AVAILABLE, Not available online / Call for pricing and availability
70	PG120017	INSULATION-RACK	1	EA	NO LONGER AVAILABLE, Not available online / Call for pricing and availability
71	PG120018	INSULATION (OVEN SIDE)	1	EA	
72	PG120019	BROILER GRID 304451E	1	EA	NO LONGER AVAILABLE
73	PG120020	SUB TO PE100030 - BROILER PAN	1	EA	NO LONGER AVAILABLE, Not available online / Call for pricing and availability
74	PG120021	INSULATION VERTICAL AIR DUCT	1	EA	NO LONGER AVAILABLE, Not available online / Call for pricing and availability
75	PG120022	RETAINER INSULATION 0054295	1	EA	NO LONGER AVAILABLE, Not available online / Call for pricing and availability
76	PG120023	WIRE RACK	1	EA	
77	PG110037	SIDE PANEL-CENTER	1	EA	NO LONGER AVAILABLE, Not available online / Call for pricing and availability
78	PG120024	WIRE COVER-BROIL IGNITER	1	EA	NO LONGER AVAILABLE
NI	PG120025	INSULATION-TOP BUCKET	1	EA	NO LONGER AVAILABLE, Not available online / Call for pricing and availability
NI	PG120026	INSULATION-VERTICAL FLUE (BACK)	1	EA	NO LONGER AVAILABLE, Not available online / Call for pricing and availability
NI	PG120027	INSULATION-HORIZONTAL FLUE	1	EA	NO LONGER AVAILABLE, Not available online / Call for pricing and availability





Item	Part No.	Name	Qty	Uom	NOTES
NI	PE100015	TRIM BOTTOM INSERT 0301918	1	EA	NO LONGER AVAILABLE, Not available online / Call for pricing and availability
NI	PE100019	TRIM INSERT CENTER 0301917	1	EA	NO LONGER AVAILABLE, Not available online / Call for pricing and availability
NI	PE100008	CONTROL PANEL BOTTOM TRIM INSERT	1	EA	NO LONGER AVAILABLE

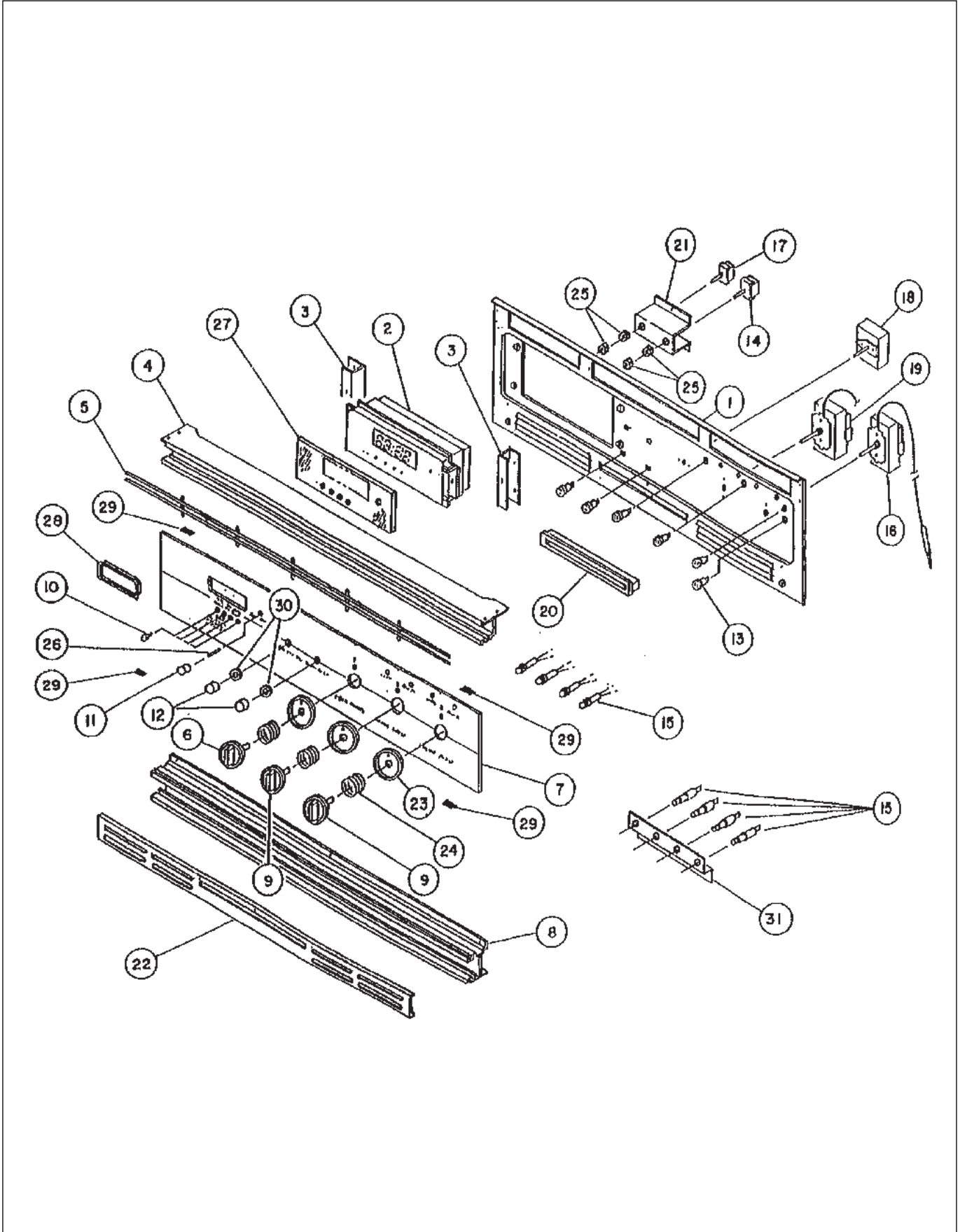
CONTROL COMPARTMENT



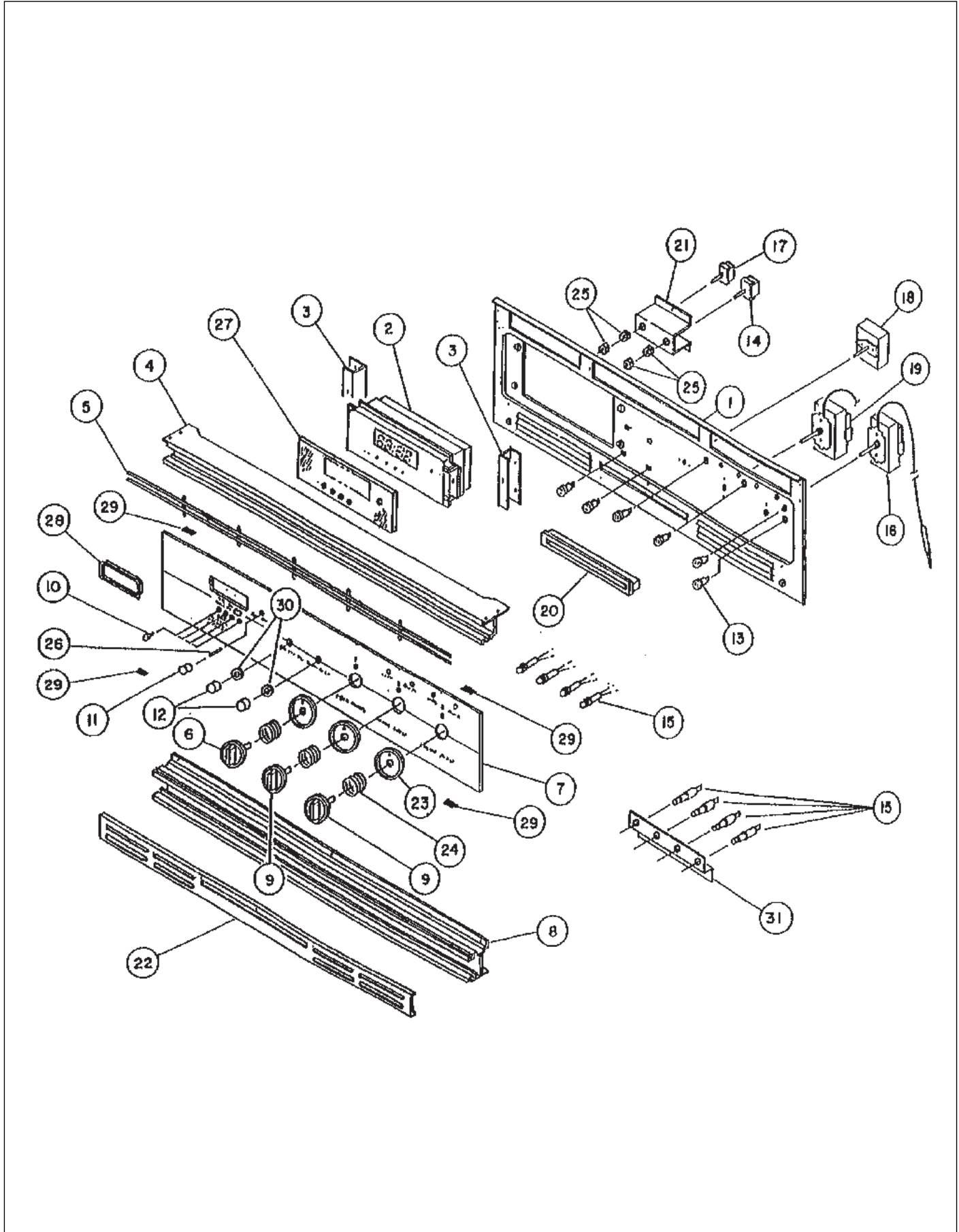


Item	Part No.	Name	Qty	Uom	NOTES
1	PG100024	MOTOR MOUNTING BRACKET	1	EA	Not available online / Call for pricing and availability
2	PE110024	MOTOR FAN Y0042226	1	EA	NO LONGER AVAILABLE
3	PG120029	FAN BLADE	1	EA	
4	PG120030	SAIL SWITCH	1	EA	
5	PG100022	RELAY MOUNTING BRACKET	1	EA	NO LONGER AVAILABLE, Not available online / Call for pricing and availability
6	PG120031	RELAY 0054074	1	EA	
7	PE110021	BLOCK TERMINAL 0042191	1	EA	
8	PE110015	SWITCH FAN SPDT Y0042056	1	EA	NO LONGER AVAILABLE
9	PG120032	RECEPTACLE	1	EA	NO LONGER AVAILABLE, Not available online / Call for pricing and availability
10	PG120033	CORD SUPPLY 0054865	1	EA	NO LONGER AVAILABLE, Not available online / Call for pricing and availability

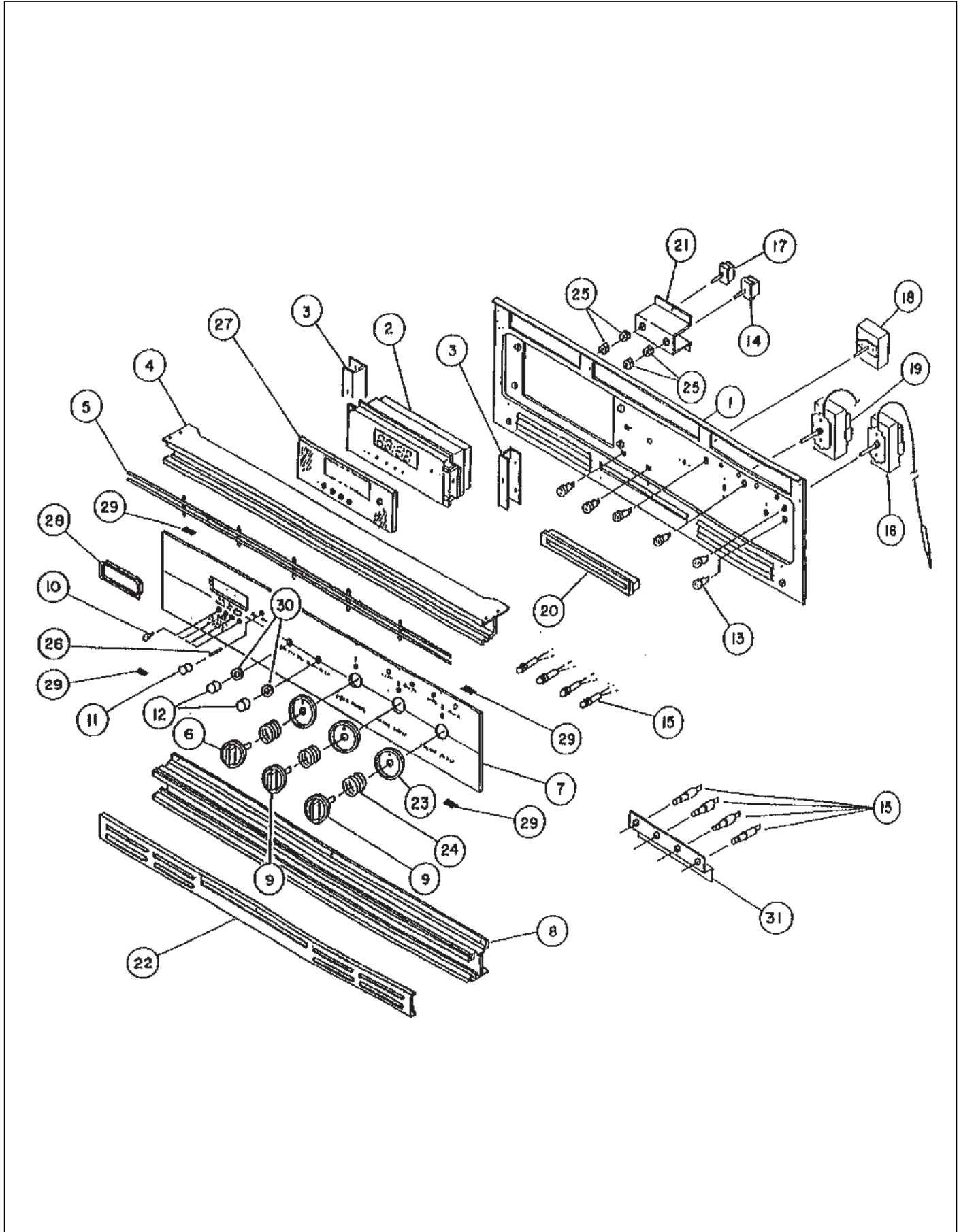
CONTROL PANEL



Item	Part No.	Name	Qty	Uom	NOTES
1	PG100009	CONTROL PANEL MOUNTING BRACKET	1	EA	NO LONGER AVAILABLE, Not available online / Call for pricing and availability
2	SEE DISTRIBUTOR	ELECTRONIC TIMER	1	EA	
3	PE100002	TIMER MOUNTING BRACKET	1	EA	Not available online / Call for pricing and availability
4	PG100010	TRIM TOP CONTROL PANEL 0307158	1	EA	Not available online / Call for pricing and availability
5	PE100004	VENT GRILL 0301915	1	EA	
6	PG110001BK	SELECTOR KNOB (BLACK)	1	EA	
Not Shown	PG110001WH	SELECTOR KNOB (WHITE)	1	EA	
7	PG110002BK	CONTROL PANEL GLASS (BLACK)	1	EA	NO LONGER AVAILABLE, Not available online / Call for pricing and availability
Not Shown	PG110002WH	CONTROL PANEL GLASS (WHITE)	1	EA	NO LONGER AVAILABLE, Not available online / Call for pricing and availability
Not Shown	PG110003	CONTROL PANEL (0302094)	1	EA	
8	PG100011	TRIM CONTROL PANEL BOTTOM 0301885	1	EA	NO LONGER AVAILABLE, Not available online / Call for pricing and availability
9	PG110004BK	THERMOSTAT KNOB - BK	1	EA	
Not Shown	PG110004WH	THERMOSTAT KNOB (WHITE)	1	EA	
10	PE110004BK	SUB TO PB010113 - KNB TMR/CLK *BK0060731	1	EA	NO LONGER AVAILABLE, Not available online / Call for pricing and availability
Not Shown	PE110004WH	TIMER/CLOCK KNOB *WH DO/SO 0303448	1	EA	Not available online / Call for pricing and availability
11	PE110005BK	CLOCK SET KNOB *BK(S0/DO) 0060730	1	EA	



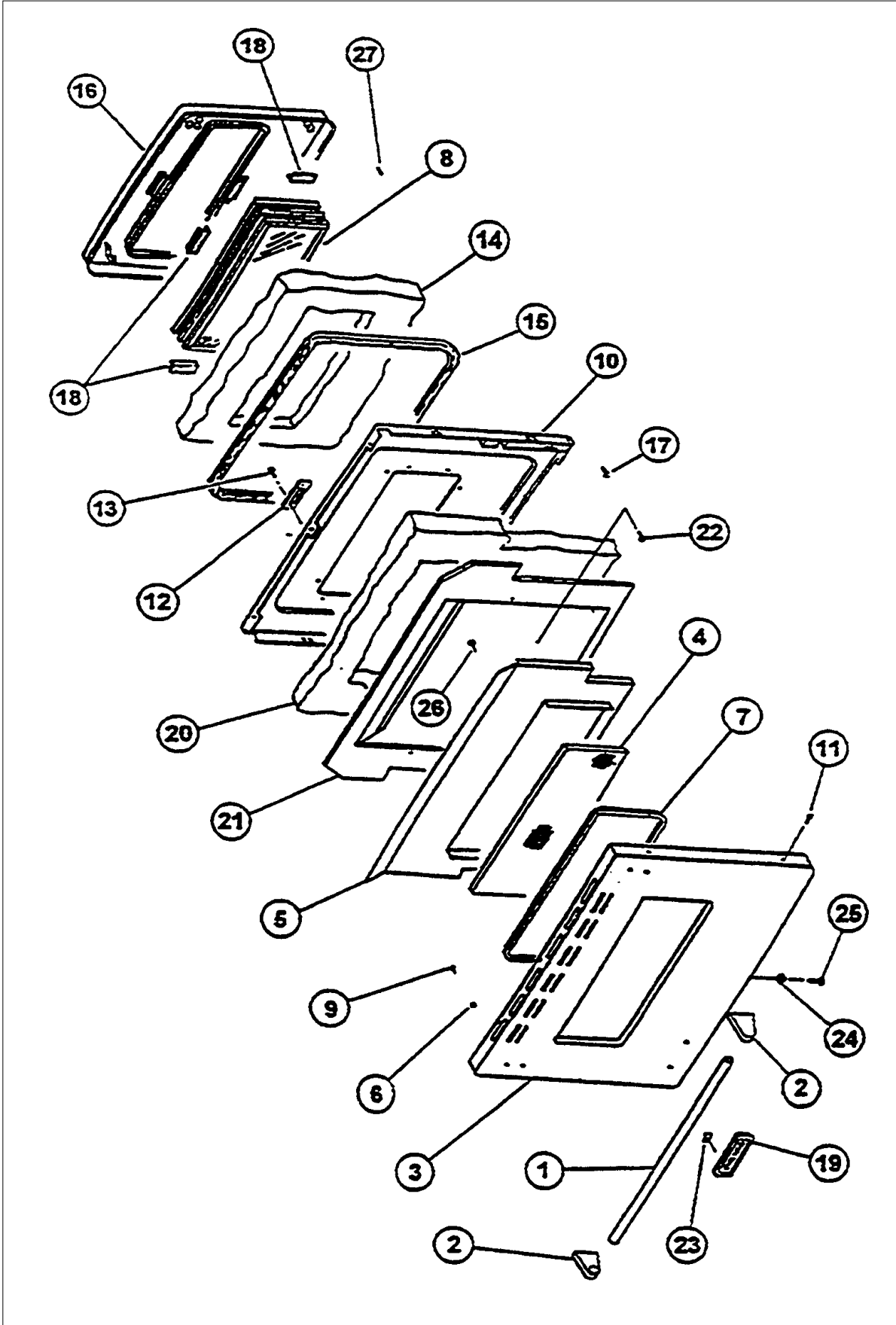
Item	Part No.	Name	Qty	Uom	NOTES
Not Shown	PE110005WH	CLOCK SET KNOB *WH(SO/DO) 0303420	1	EA	
12	PE110006BK	OVEN LIGHT KNOB (BLACK) 0303405	1	EA	NO LONGER AVAILABLE
Not Shown	PE110006WH	OVEN LIGHT KNOB (WHITE) 0303423	1	EA	Not available online / Call for pricing and availability
13	PE120001	TERMINAL BUSHING 2-POLE 0042012	1	EA	NO LONGER AVAILABLE, Not available online / Call for pricing and availability
14	PE110007	UPPER/LOWER OVEN LIGHT SW. 0303400	1	EA	NO LONGER AVAILABLE, Not available online / Call for pricing and availability
15	PE110008	INDICATOR LIGHT - SS	1	EA	
Not Shown	PE110009	INDICATOR LIGHT(COLORS ONLY)042183	1	EA	
16	PG120001	THERMOSTAT UPR/LWR OVEN (Y0304805)	1	EA	
17	PE110007	UPPER/LOWER OVEN LIGHT SW. 0303400	1	EA	NO LONGER AVAILABLE, Not available online / Call for pricing and availability
18	PG120002	SELECTOR SWITCH	1	EA	
19	PG120001	THERMOSTAT UPR/LWR OVEN (Y0304805)	1	EA	
20	PE100006	LATCH HANDLE GUIDE	1	EA	NO LONGER AVAILABLE, Not available online / Call for pricing and availability
21	PG100012	OVEN LIGHT SWITCH MOUNTING BRACKET	1	EA	NO LONGER AVAILABLE, Not available online / Call for pricing and availability
22	PE100008	CONTROL PANEL BOTTOM TRIM INSERT	1	EA	NO LONGER AVAILABLE
23	PE100010	BEZEL KNOB CHROME 0302084	1	EA	NO LONGER AVAILABLE, Not available online / Call for pricing and availability
Not Shown	PB010085	KNOB BEZEL	1	EA	NO LONGER AVAILABLE





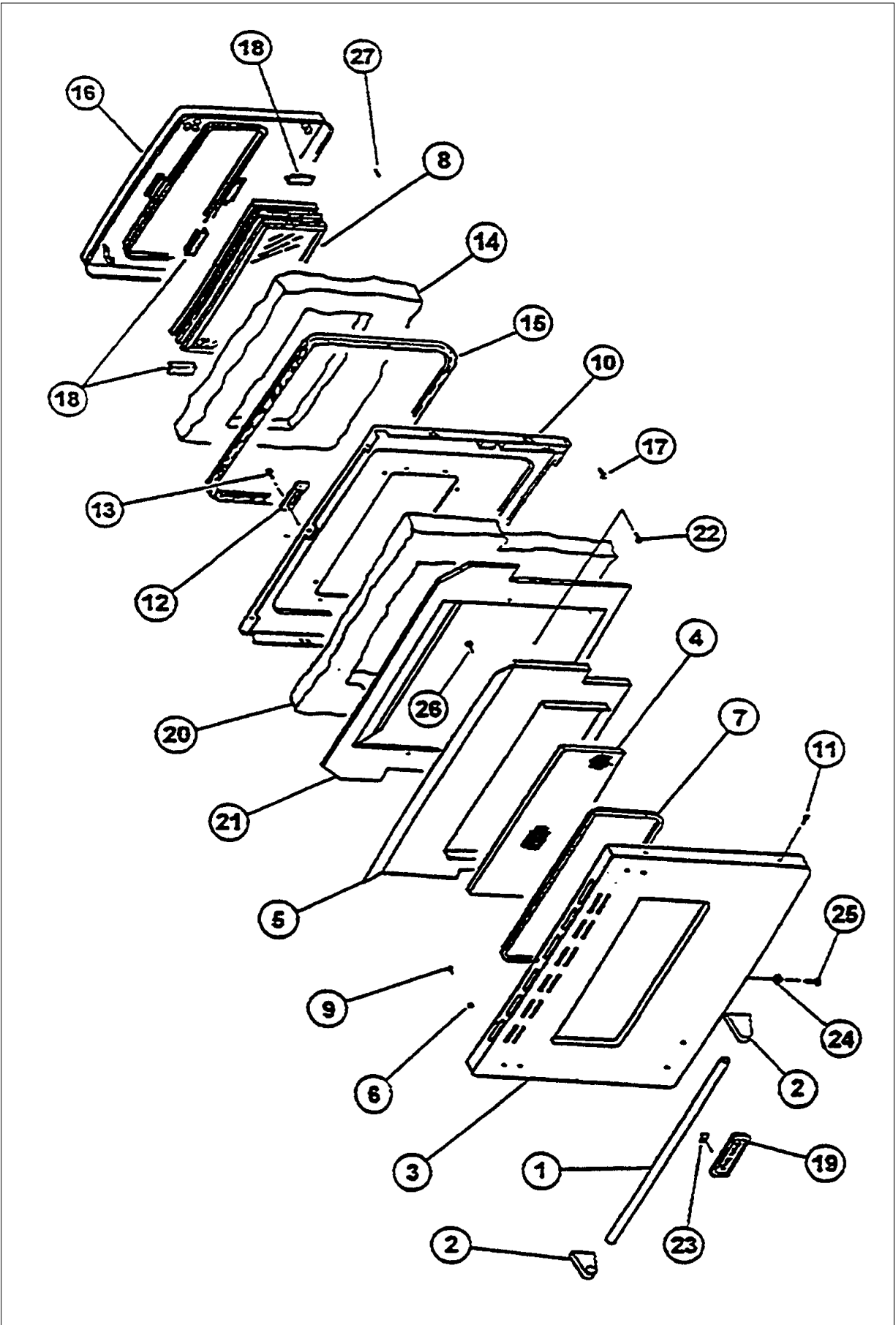
Item	Part No.	Name	Qty	Uom	NOTES
24	PG100004	KNOB TO SKIRT SPRING	1	EA	Not available online / Call for pricing and availability
25	PG100005	LOCK NUT	1	EA	NO LONGER AVAILABLE, Not available online / Call for pricing and availability
26	PE110012BK	BIT GENERATOR SHAFT *BK 0300933B	1	EA	
Not Shown	PE110012WH	BIT GENERATOR SHAFT - WH	1	EA	Not available online / Call for pricing and availability
27	PE140001	LENS ELEC TIMR LENS VEDO/SO 0302085	1	EA	
28	PE100009	CLOCK WIN BEZEL REPL PE040070	1	EA	NO LONGER AVAILABLE, Not available online / Call for pricing and availability
29	PG120003	PAD, INSULATION (CONTROL PANEL)	1	EA	NO LONGER AVAILABLE, Not available online / Call for pricing and availability
30	PE120002	BEZEL NUT	1	EA	Not available online / Call for pricing and availability
31	PE100011	BRACKET INDICATOR LIGHT 0305463	1	EA	NO LONGER AVAILABLE, Not available online / Call for pricing and availability
NI	PG120004	WIRE JUMPER	1	EA	NO LONGER AVAILABLE, Not available online / Call for pricing and availability

DOOR ASSY

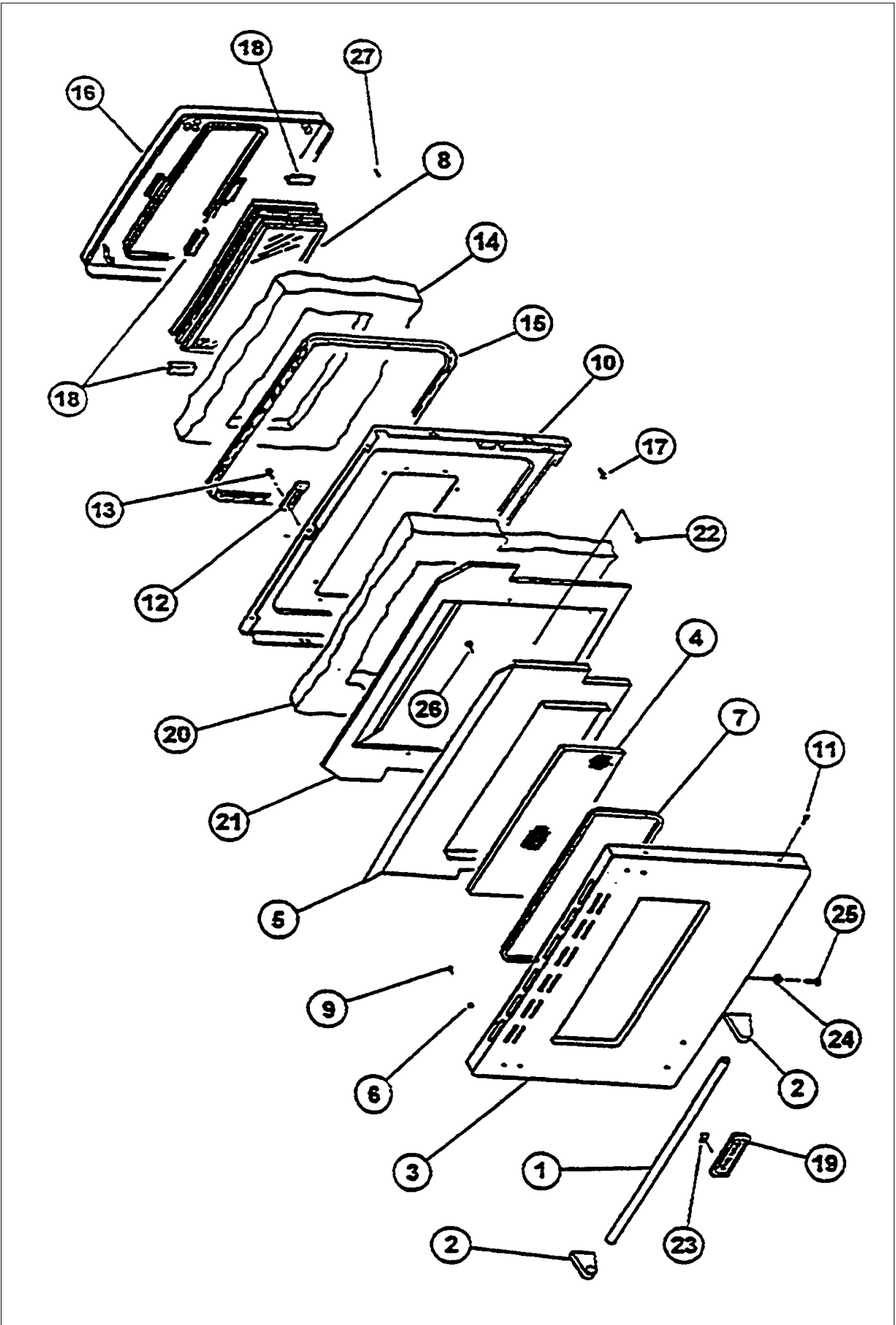




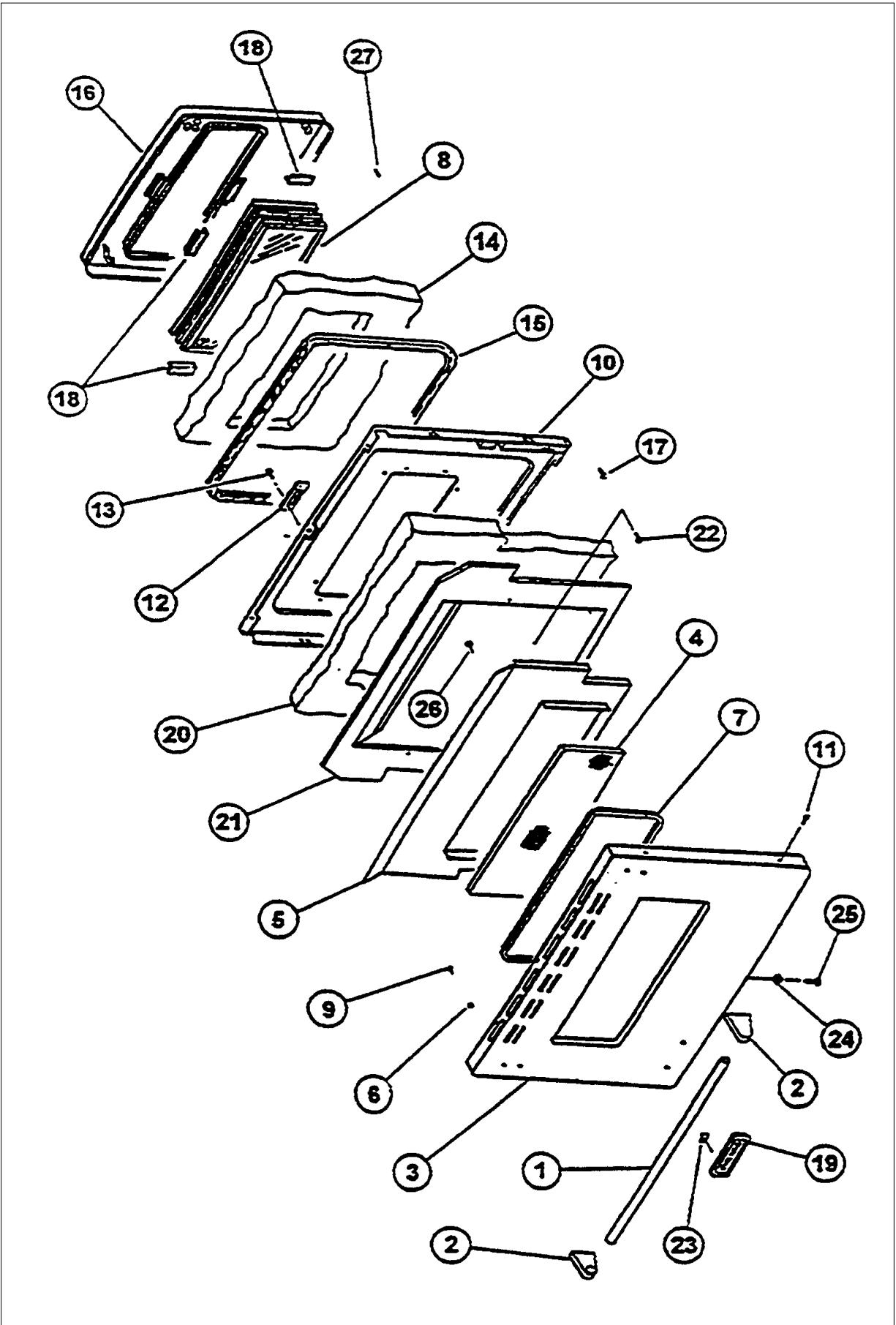
Item	Part No.	Name	Qty	Uom	NOTES
NI	PE130033AL	UPPER DOOR COMPLETE ASSY. - AL	1	EA	Not available online / Call for pricing and availability
Not Shown	PE130033BK	UPPER DOOR COMPLETE ASSY. - BK	1	EA	
Not Shown	PE130033BU	UPPER DOOR COMPLETE ASSY. - BU	1	EA	Not available online / Call for pricing and availability
Not Shown	PE130033FG	UPPER DOOR COMPLETE ASSY. - FG	1	EA	Not available online / Call for pricing and availability
Not Shown	PE130033PL	UPPER DOOR COMPLETE ASSY. - PL	1	EA	Not available online / Call for pricing and availability
Not Shown	PE130033SS	UPPER DOOR COMPLETE ASSY. - SS	1	EA	
Not Shown	PE130033VB	UPPER DOOR COMPLETE ASSY. - VB	1	EA	Not available online / Call for pricing and availability
Not Shown	PE130033WH	UPPER DOOR COMPLETE ASSY. - WH	1	EA	Not available online / Call for pricing and availability
Not Shown	PE130034AL	LOWER DOOR COMPLETE ASSY. - AL	1	EA	Not available online / Call for pricing and availability
Not Shown	PE130034BK	LOWER DOOR ASSEMBLY - COMPLETE	1	EA	NO LONGER AVAILABLE
Not Shown	PE130034BU	LOWER DOOR COMPLETE ASSY. - BU	1	EA	Not available online / Call for pricing and availability
Not Shown	PE130034FG	LOWER DOOR COMPLETE ASSY. - FG	1	EA	Not available online / Call for pricing and availability
Not Shown	PE130034PL	LOWER DOOR COMPLETE ASSY. - PL	1	EA	Not available online / Call for pricing and availability
Not Shown	PE130034SS	LOWER DOOR COMPLETE ASSY. - SS	1	EA	Not available online / Call for pricing and availability



Item	Part No.	Name	Qty	Uom	NOTES
Not Shown	PE130034VB	LOWER DOOR COMPLETE ASSY. - VB	1	EA	Not available online / Call for pricing and availability
Not Shown	PE130034WH	LOWER DOOR ASSEMBLY - COMPLETE	1	EA	NO LONGER AVAILABLE, Not available online / Call for pricing and availability
1	F0002576SS	HANDLE OVEN DOOR *SS (24.625 length)	1	EA	
Not Shown	F0002576BR	HANDLE OVEN DOOR *BR 0301898	1	EA	NO LONGER AVAILABLE
2	000268-000	HANDLE ENDCAP	1	EA	
Not Shown	PE030001PVD	END CAP DOOR HANDLE *BR	1	EA	
3	PE100024BK	PANEL DOOR LOWER *BK 306584B	1	EA	NO LONGER AVAILABLE
Not Shown	PE100024SS	PANEL DOOR LOWER *SS 0304629	1	EA	
Not Shown	PE100024WH	PANEL DOOR LOWER *WH 306584W	1	EA	NO LONGER AVAILABLE
Not Shown	C9002325AL	DOOR PANEL-LOWER *AL* (VEDO/VGDO)	1	EA	NO LONGER AVAILABLE, Not available online / Call for pricing and availability
Not Shown	C9002325BU	DOOR PANEL-LOWER *BU* (VEDO/VGDO)	1	EA	NO LONGER AVAILABLE, Not available online / Call for pricing and availability
Not Shown	C9002325FG	DOOR PANEL-LOWER *FG* (VEDO/VGDO)	1	EA	NO LONGER AVAILABLE, Not available online / Call for pricing and availability
Not Shown	C9002325PL	DOOR PANEL-LOWER *PL* (VEDO/VGDO)	1	EA	NO LONGER AVAILABLE, Not available online / Call for pricing and availability
Not Shown	C9002325VB	DOOR PANEL-LOWER *VB* (VEDO/VGDO)	1	EA	NO LONGER AVAILABLE, Not available online / Call for pricing and availability
Not Shown	PE100025BK	UPPER DOOR PANEL - BK	1	EA	Not available online / Call for pricing and availability

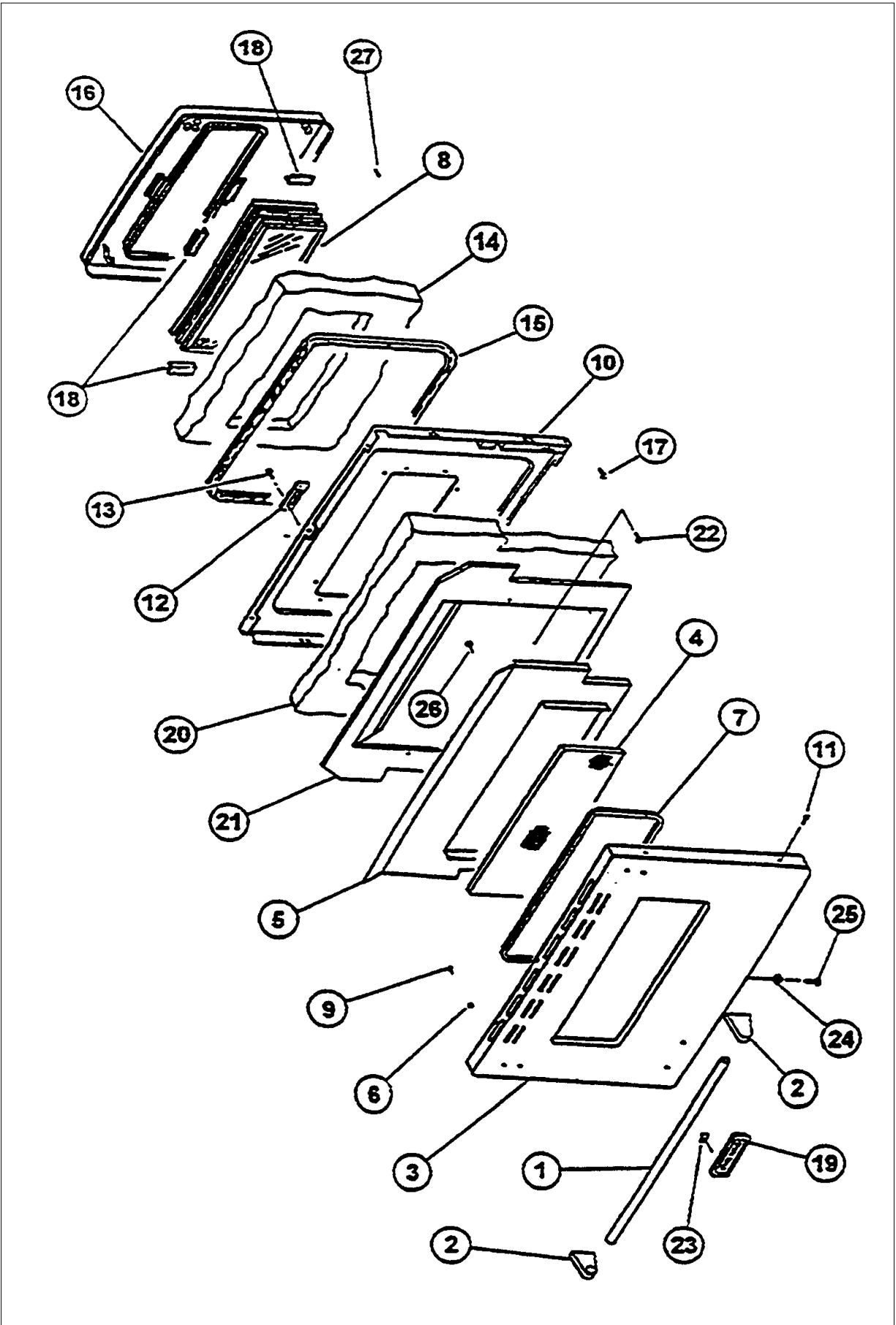


Item	Part No.	Name	Qty	Uom	NOTES
Not Shown	PE100025SS	UPPER DOOR PANEL - SS	1	EA	
Not Shown	PE100025WH	UPPER DOOR PANEL - WH	1	EA	Not available online / Call for pricing and availability
Not Shown	C9002324AL	DOOR PANEL-UPPER *AL* (VEDO/VGDO)	1	EA	NO LONGER AVAILABLE, Not available online / Call for pricing and availability
Not Shown	C9002324BU	DOOR PANEL-UPPER *BU* (VEDO/VGDO)	1	EA	NO LONGER AVAILABLE, Not available online / Call for pricing and availability
Not Shown	C9002324FG	DOOR PANEL-UPPER *FG* (VEDO/VGDO)	1	EA	NO LONGER AVAILABLE
Not Shown	C9002324PL	DOOR PANEL-UPPER *PL* (VEDO/VGDO)	1	EA	NO LONGER AVAILABLE, Not available online / Call for pricing and availability
Not Shown	C9002324VB	DOOR PANEL-UPPER *VB* (VEDO/VGDO)	1	EA	NO LONGER AVAILABLE, Not available online / Call for pricing and availability
4	PE140002	GLASS WINDOW 0301912	1	EA	NO LONGER AVAILABLE
5	PE130032	BAFFLE INNER DOOR 301896G	1	EA	NO LONGER AVAILABLE
6	PE120007	DOOR HANDLE MTG. WASHER (3/4 X 5/16)	1	EA	NO LONGER AVAILABLE, Not available online / Call for pricing and availability
7	PE100026	TRIM J MOLD *SS 0302082	1	EA	
Not Shown	PE060028	TRIM J MOLD *BR 306584B	1	EA	NO LONGER AVAILABLE
8	PE140003	WINDOW ASSEMBLY	1	EA	
9	PD010014	MACH. SCREW - #10-24 X 1-3/4" *SS*	1	EA	NO LONGER AVAILABLE, Not available online / Call for pricing and availability
10	PE130022	DOOR LINER 303067E	1	EA	NO LONGER AVAILABLE
11	PE120008	DOOR PANEL SCREW AM#0041793	1	EA	NO LONGER AVAILABLE





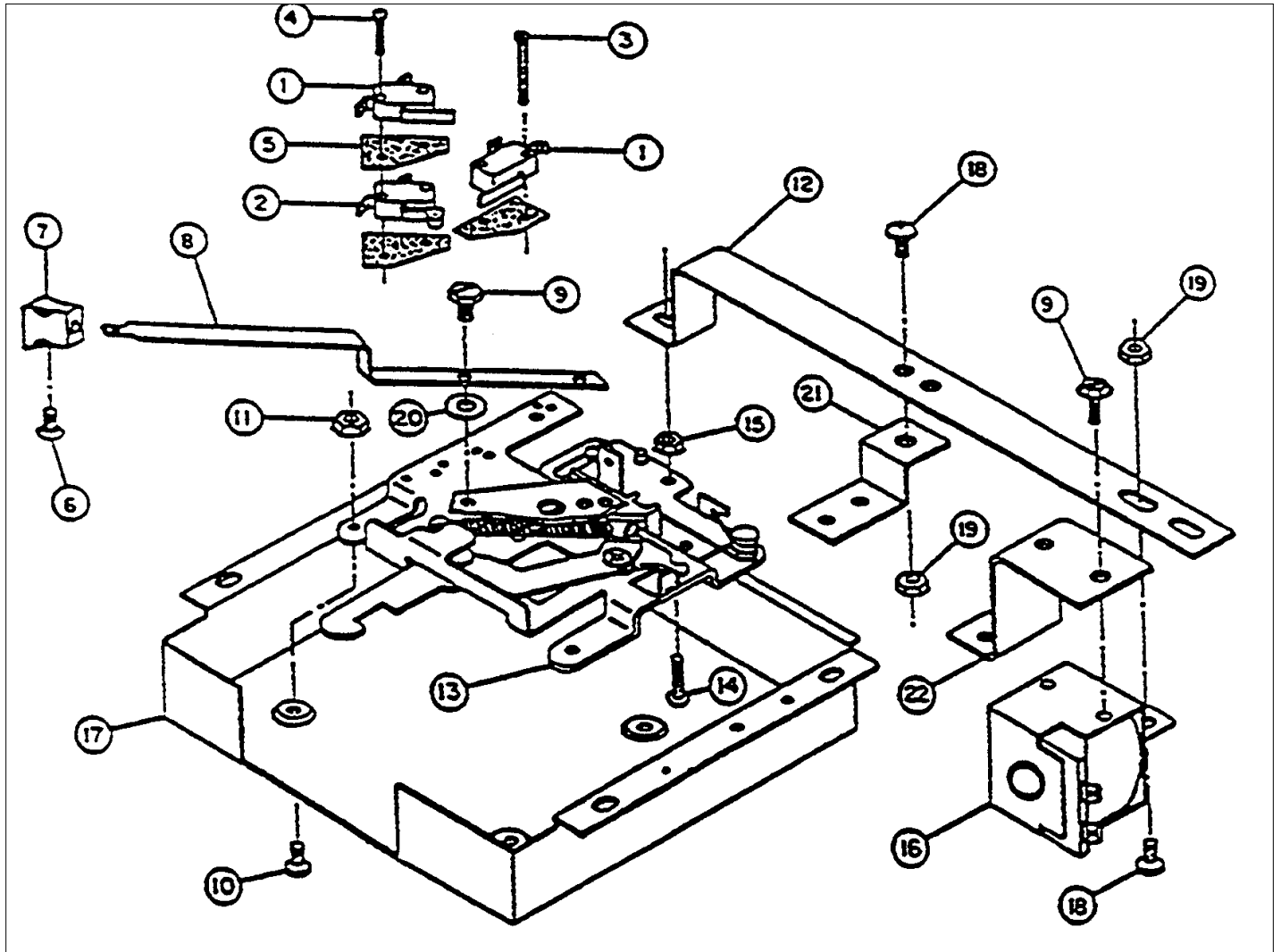
Item	Part No.	Name	Qty	Uom	NOTES
12	PE130023	LATCH PLATE 0052039	1	EA	NO LONGER AVAILABLE
13	PE120009	LATCH PLATE SCREW 31750410	1	EA	NO LONGER AVAILABLE
14	PE140004	LINER INSULATION DOOR 0301899	1	EA	NO LONGER AVAILABLE, Not available online / Call for pricing and availability
15	PE140005	DOOR GASKET 31715903	1	EA	
16	PE130024	DOOR PLUG 004023CG	1	EA	NO LONGER AVAILABLE
17	PE120010	PLUG MOUNTING SCREW 0041793	1	EA	NO LONGER AVAILABLE, Not available online / Call for pricing and availability
18	PE130025	RETAINER DOOR GLASS 0052629	1	EA	NO LONGER AVAILABLE
19	PE010016	LOGO (ALL RANGES) *BK/CHR 307997W	1	EA	
Not Shown	PE010079	4.5" LOGO/VIKING PROF *BK/BR	1	EA	
Not Shown	PE010017	LOGO (VGSQ,VEDO,VGDO,VUD) *WH/CHR	1	EA	
Not Shown	PE010080	4.5" LOGO/VIKING PROF *WH/BR	1	EA	
20	PE140006	INSULATION-DOOR LINER	1	EA	NO LONGER AVAILABLE, Not available online / Call for pricing and availability
21	PE130026	PLATE INSULATION 0301908	1	EA	NO LONGER AVAILABLE, Not available online / Call for pricing and availability
22	PE120011	SUB TO PD020002	1	EA	NO LONGER AVAILABLE, Not available online / Call for pricing and availability
23	PE120012	LOGO CLIP 0304065	1	EA	NO LONGER AVAILABLE
24	PE120013	DOOR PANEL KEP NUT 0097885	1	EA	NO LONGER AVAILABLE



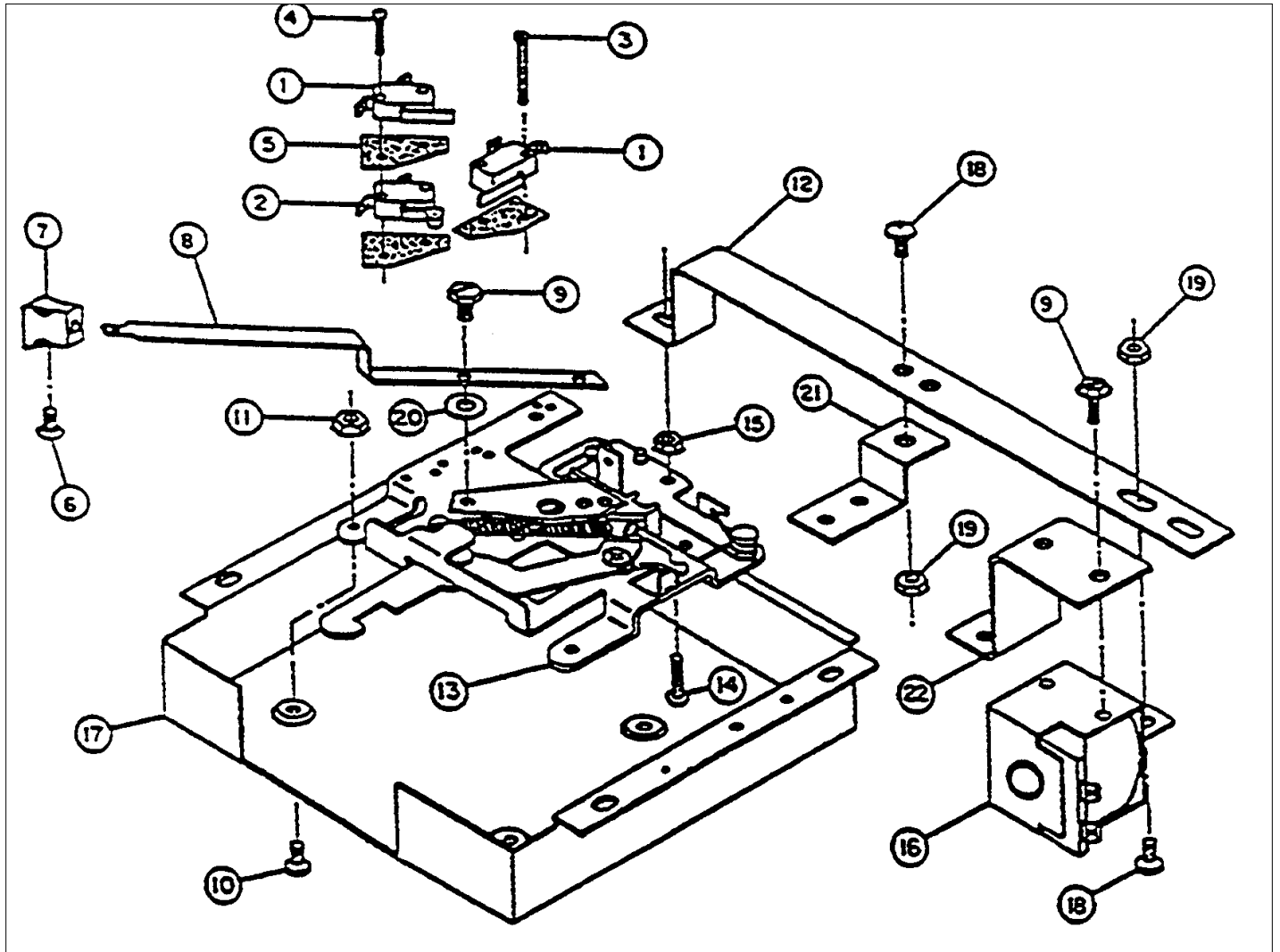


Item	Part No.	Name	Qty	Uom	NOTES
25	PE120014	DOOR PANEL SCREW 0098190	1	EA	NO LONGER AVAILABLE, Not available online / Call for pricing and availability
26	PE120015	BAFFLE MOUNTING SCREW 0041808	1	EA	NO LONGER AVAILABLE, Not available online / Call for pricing and availability
27	PE120015	BAFFLE MOUNTING SCREW 0041808	1	EA	NO LONGER AVAILABLE, Not available online / Call for pricing and availability
NI	PG100025	FIBER WASHER	1	EA	NO LONGER AVAILABLE, Not available online / Call for pricing and availability
NI	PG100026	FIBER WASHER	1	EA	NO LONGER AVAILABLE, Not available online / Call for pricing and availability

DOOR LATCH ASSY



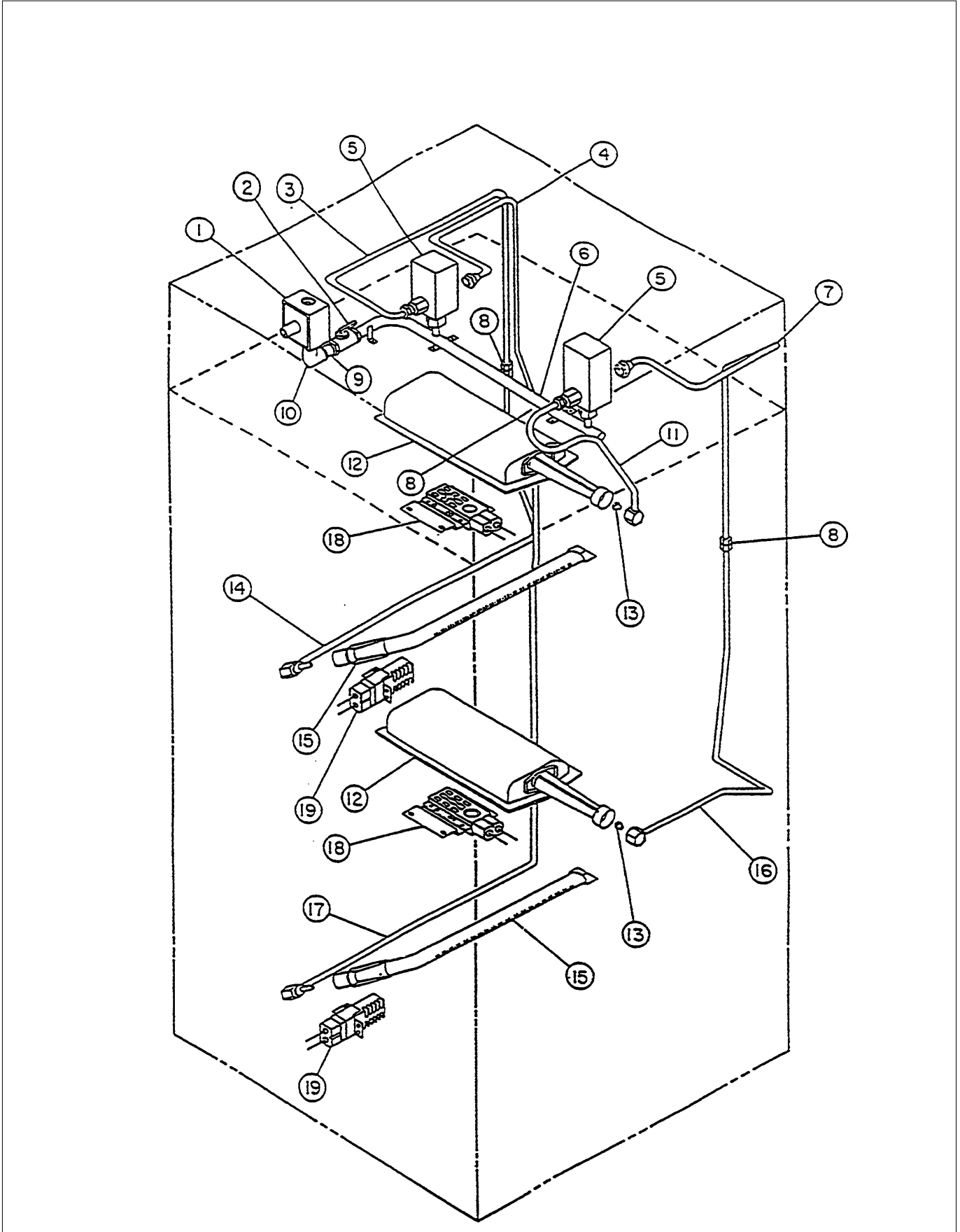
Item	Part No.	Name	Qty	Uom	NOTES
1	PE110027	DOOR LOCK SWITCH Y0067919	1	EA	
2	PE110028	MOMENTARY SWITCH	1	EA	
3	PE120019	SWITCH MOUNTING SCREW (0041826)	1	EA	NO LONGER AVAILABLE, Not available online / Call for pricing and availability
4	PG100001	SWITCH MOUNTING SCREW	1	EA	Not available online / Call for pricing and availability
5	PE140007	INSULATOR ESM DOOR LOCK ASY 0091523	1	EA	NO LONGER AVAILABLE
6	PE120020	HANDLE MOUNTING SCREW (0041777)	1	EA	NO LONGER AVAILABLE
7	PE150006	LATCH HANDLE	1	EA	Not available online / Call for pricing and availability
8	PE150007	LATCH ARM	1	EA	
9	PE120021	LATCH ARM SCREW (0041774)	1	EA	NO LONGER AVAILABLE
10	PE120022	DOOR LOCK SCREW 0041765	1	EA	NO LONGER AVAILABLE, Not available online / Call for pricing and availability
11	PE120023	DOOR LOCK KEP NUT 0097885	1	EA	
12	PG100006	SOLENOID LEVER 0060832	1	EA	NO LONGER AVAILABLE
13	PE110029	DOOR LOCK	1	EA	
14	PE120024	BRASS SCREW (DOOR LOCK) 0041773	1	EA	NO LONGER AVAILABLE
15	PE120025	DOOR LOCK KEP NUT M0282005	1	EA	NO LONGER AVAILABLE
16	NO LONGER AVAILABLE	SOLENOID - PE110030	1	EA	
17	PE100032	DOOR LATCH BRACKET 0060840	1	EA	NO LONGER AVAILABLE
18	PE120026	SOLENOID SCREW (0060923)	1	EA	NO LONGER AVAILABLE
19	PG100002	SOLENOID MOUNTING NUT	1	EA	Not available online / Call for pricing and availability





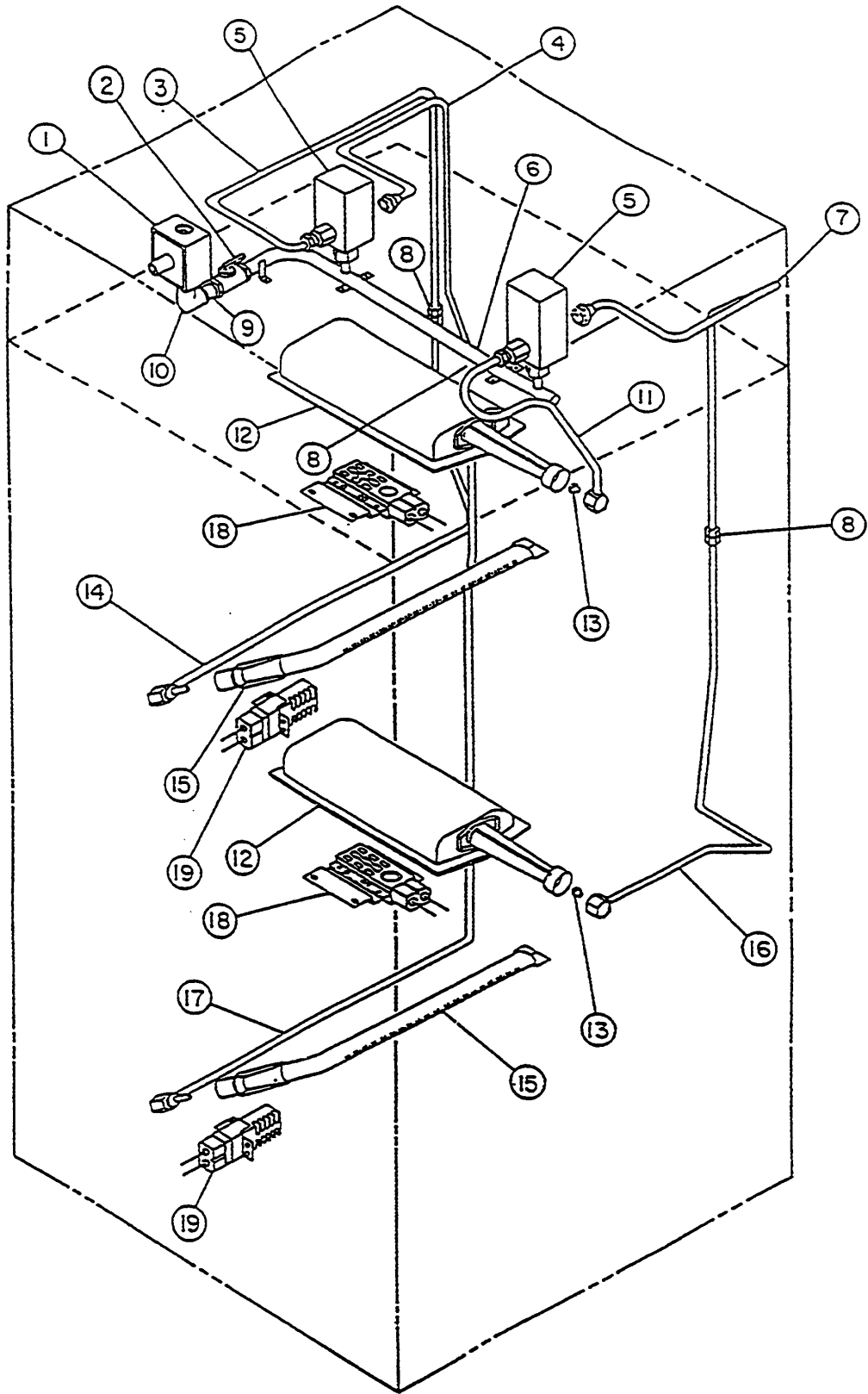
Item	Part No.	Name	Qty	Uom	NOTES
20	PG100003	LATCH ARM MOUNTING WASH/AM#3175095	1	EA	NO LONGER AVAILABLE
21	PG100007	SOLENOID LEVER BRACKET	1	EA	NO LONGER AVAILABLE
22	PG100008	SOLENOID BRACKET	1	EA	NO LONGER AVAILABLE

GAS COMPONENTS





Item	Part No.	Name	Qty	Uom	NOTES
1	PG130001	REGULATOR 5"/10" SIDE INLET 0063684	1	EA	
2	PG130002	VALVE SHUT OFF Y0314271	1	EA	
3	PG130003	TUBING-UPPER BAKE UNION TO GAS VALV	1	EA	NO LONGER AVAILABLE, Not available online / Call for pricing and availability
4	PG130004	TUBING LWR UNION TO VALVE 0304098	1	EA	NO LONGER AVAILABLE, Not available online / Call for pricing and availability
5	PG130005	VALVE DUAL THERMAL (Y0060750)	1	EA	
6	PG130006	MANIFOLD PIPE ASSY 0060751	1	EA	NO LONGER AVAILABLE, Not available online / Call for pricing and availability
7	PG130007	TUBING LWR UNION TO VALVE 0304097	1	EA	NO LONGER AVAILABLE, Not available online / Call for pricing and availability
8	PG130008	UNION	1	EA	NO LONGER AVAILABLE, Not available online / Call for pricing and availability
9	PG130009	NIPPLE PIPE BLACK 1/2 0097320	1	EA	NO LONGER AVAILABLE
10	PG130010	PIPE ELBOW 1/2"X90 DEGREE 0097408	1	EA	NO LONGER AVAILABLE
11	PG130011	TUBE UPPER BROIL TO VALVE 0054839	1	EA	NO LONGER AVAILABLE, Not available online / Call for pricing and availability
12	PG130012	CABINET BACK - LOWER	1	EA	Not available online / Call for pricing and availability
13	PG130013	ORIFICE SPUD NAT #52 0060043	1	EA	NO LONGER AVAILABLE
Not Shown	PG130014	ORIFICE SPUD (L.P.) #59 (31865001)	1	EA	





Item	Part No.	Name	Qty	Uom	NOTES
14	PG130015	TUBE/HOOD UPPER BAKE 0054834	1	EA	NO LONGER AVAILABLE, Not available online / Call for pricing and availability
15	PG130016	BAKE BURNER 31761901	1	EA	
16	PG130017	TUBE LOWER BURNER TO UNION 0054837	1	EA	NO LONGER AVAILABLE, Not available online / Call for pricing and availability
17	PG130018	TUBING-LOWER BAKE TO UNION (VPS00070)	1	EA	NO LONGER AVAILABLE, Not available online / Call for pricing and availability
18	PE130053	IGNITOR ASSY 31939701(DOES NOT INCLUDE 007918-000 BRACKET)	1	EA	
19	PE130053	IGNITOR ASSY 31939701(DOES NOT INCLUDE 007918-000 BRACKET)	1	EA	



Appendix A:Pages Index

CABINET SECTION 1
CONTROL COMPARTMENT 2
CONTROL PANEL 3
DOOR ASSY 4
DOOR LATCH ASSY 5
GAS COMPONENTS 6



Appendix B:Parts Index

000268-000	4	PE100025SS	4
C9002324AL	4	PE100025WH	4
C9002324BU	4	PE100026	4
C9002324FG	4	PE100032	5
C9002324PL	4	PE110004BK	3
C9002324VB	4	PE110004WH	3
C9002325AL	4	PE110005BK	3
C9002325BU	4	PE110005WH	3
C9002325FG	4	PE110006BK	3
C9002325PL	4	PE110006WH	3
C9002325VB	4	PE110007	3, 3
F0002576BR	4	PE110008	3
F0002576SS	4	PE110009	3
PB010085	3	PE110012BK	3
PD010014	4	PE110012WH	3
PE010016	4	PE110015	2
PE010017	4	PE110021	2
PE010079	4	PE110024	2
PE010080	4	PE110027	5
PE030001PVD	4	PE110028	5
PE060028	4	PE110029	5
PE100002	3	PE120001	3
PE100004	3	PE120002	3
PE100005	1	PE120007	4
PE100006	3	PE120008	4
PE100008	1, 3	PE120009	4
PE100009	3	PE120010	4
PE100010	3	PE120011	4
PE100011	3	PE120012	4
PE100013	1	PE120013	4
PE100014	1	PE120014	4
PE100015	1	PE120015	4, 4
PE100016	1	PE120019	5
PE100018	1	PE120020	5
PE100019	1	PE120021	5
PE100020	1	PE120022	5
PE100024BK	4	PE120023	5
PE100024SS	4	PE120024	5
PE100024WH	4	PE120025	5
PE100025BK	4	PE120026	5
		PE130011	1



PE130014	1	PG100009	3
PE130022	4	PG100010	3
PE130023	4	PG100011	3
PE130024	4	PG100012	3
PE130025	4	PG100013	1
PE130026	4	PG100014	1
PE130032	4	PG100015	1
PE130033AL	4	PG100016	1
PE130033BK	4	PG100017	1
PE130033BU	4	PG100018	1
PE130033FG	4	PG100019	1
PE130033PL	4	PG100020	1
PE130033SS	4	PG100021	1
PE130033VB	4	PG100022	1, 2
PE130033WH	4	PG100023	1
PE130034AL	4	PG100024	2
PE130034BK	4	PG100025	4
PE130034BU	4	PG100026	4
PE130034FG	4	PG110001BK	3
PE130034PL	4	PG110001WH	3
PE130034SS	4	PG110002BK	3
PE130034VB	4	PG110002WH	3
PE130034WH	4	PG110003	3
PE130053	6, 6	PG110004BK	3
PE140001	3	PG110004WH	3
PE140002	4	PG110005	1
PE140003	4	PG110006	1
PE140004	4	PG110007	1
PE140005	4	PG110008	1
PE140006	4	PG110009	1
PE140007	5	PG110010	1
PE150006	5	PG110011	1
PE150007	5	PG110012	1
PG100001	5	PG110013	1
PG100002	5	PG110014	1
PG100003	5	PG110015	1
PG100004	3	PG110016	1
PG100005	3	PG110017	1
PG100006	1, 5	PG110018	1
PG100007	1, 5	PG110019	1
PG100008	1, 5	PG110020	1



PG110021	1	PG120024	1
PG110022	1	PG120025	1
PG110023	1	PG120026	1
PG110024	1	PG120027	1
PG110025	1	PG120029	2
PG110026	1	PG120030	2
PG110027	1	PG120031	2
PG110028	1	PG120032	2
PG110029	1	PG120033	2
PG110030	1	PG130001	6
PG110031	1	PG130002	6
PG110032	1	PG130003	6
PG110033	1	PG130004	6
PG110034	1	PG130005	6
PG110035	1	PG130006	6
PG110036	1	PG130007	6
PG110037	1	PG130008	6
PG110038	1	PG130009	6
PG110039	1	PG130010	6
PG120001	3, 3	PG130011	6
PG120002	3	PG130012	6
PG120003	3	PG130013	6
PG120004	3	PG130014	6
PG120005	1	PG130015	6
PG120006	1	PG130016	6
PG120007	1	PG130017	6
PG120009	1	PG130018	6
PG120010	1		
PG120011	1		
PG120012	1		
PG120013	1		
PG120014	1		
PG120015	1		
PG120016	1		
PG120017	1		
PG120018	1		
PG120019	1		
PG120020	1		
PG120021	1		
PG120022	1		
PG120023	1		