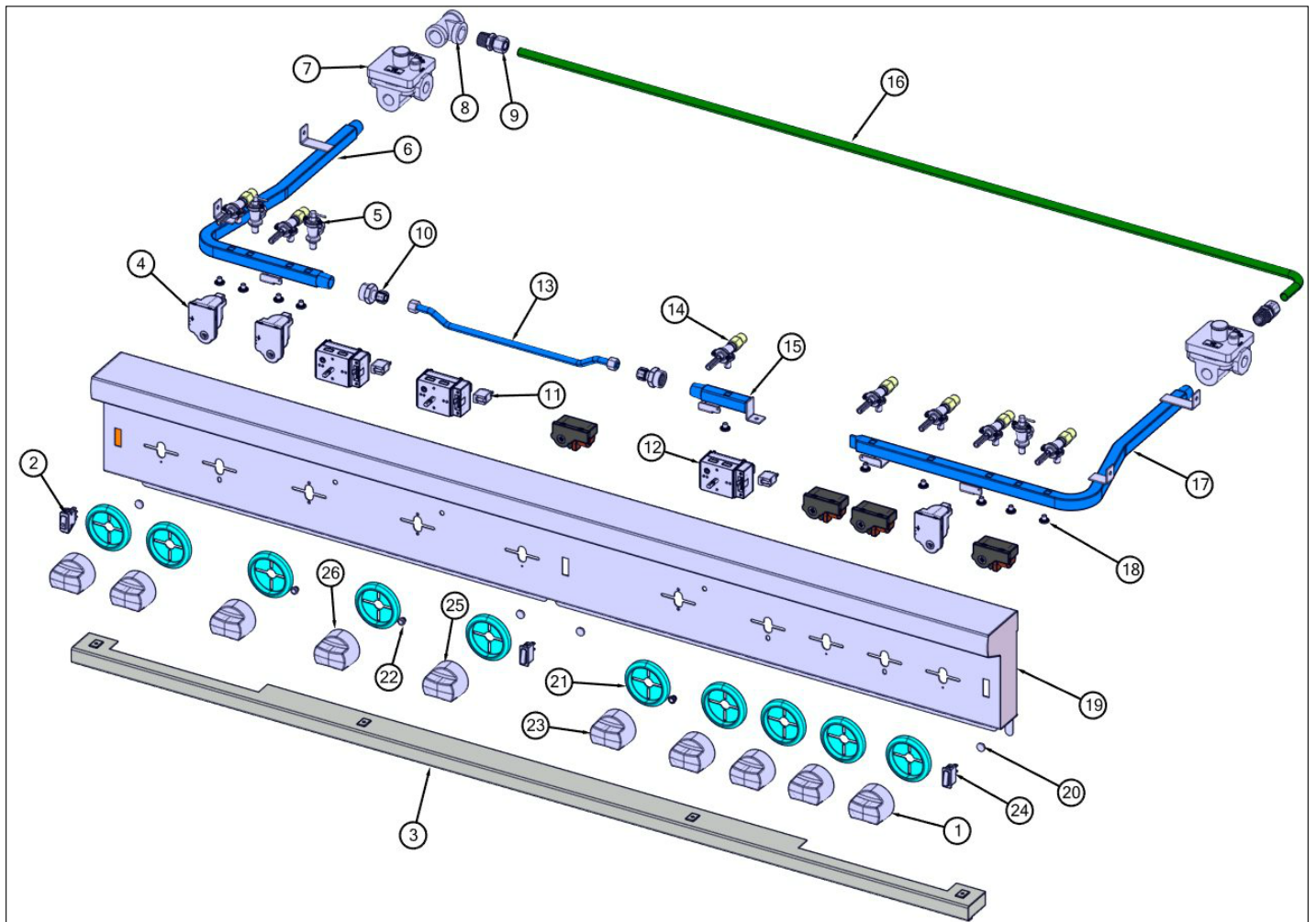


VGCC560-6GQ

CONTROL AREA	1
GRIDDLE ASSEMBLY	2
GRILL ASSEMBLY	3
LH CAVITY INTERIOR	4
LH DOOR ASSEMBLY	5
LH OVEN ELECTRONICS	6
LOWER UNIT AND SIDE PANELS	7
REAR SHEET METAL	8
RH CAVITY INTERIOR	9
RH DOOR ASSEMBLY	10
RH OVEN ELECTRONICS	11
SURFACE COOKING AREA	12
WIRING	13
Appendix A:Pages Index	A
Appendix B:Parts Index	B

CONTROL AREA



Item	Part No.	Name	Qty	Uom	NOTES
1	005269-000	RANGE TOP BURNER KNOB-BRUSHED, SSS	6	EA	
Not Shown	NOTE	BEFORE 12/20/12		EA	
1	035881-000	KNOB, BNR, TOP PRO CR3	6	EA	
Not Shown	NOTE	AFTER 12/20/12		EA	
2	006355-000	SPLASHPROOF ROCKER SWITCH	2	EA	
3	014321-000	TRIM, ASM, CUSTOM 60	1	EA	
4	PA020058	IRIS SINGLE SPARK MODULE	7	EA	
5	007147-000	SHUT OFF VALVE	3	EA	
6	014552-000	MANIFOLD, MAIN, 60"	1	EA	
7	PA070003	PRESSURE REGULATOR (NAT.)	2	EA	
7	013386-000	LP PRESSURE REGULATOR	2	EA	
8	PA050031	PIPE TEE - 1/2" FEMALE	1	EA	
9	000845-000	1/2" COMP TO 1/2" MALE NPT ADAPTER	2	EA	
10	001290-000	1/2" NPT TO 3/8" COMPRESSION ADT- FEMALE	2	EA	
11	PE050024	OVEN IND. LIGHT (LIGHT HOUSING)	3	EA	

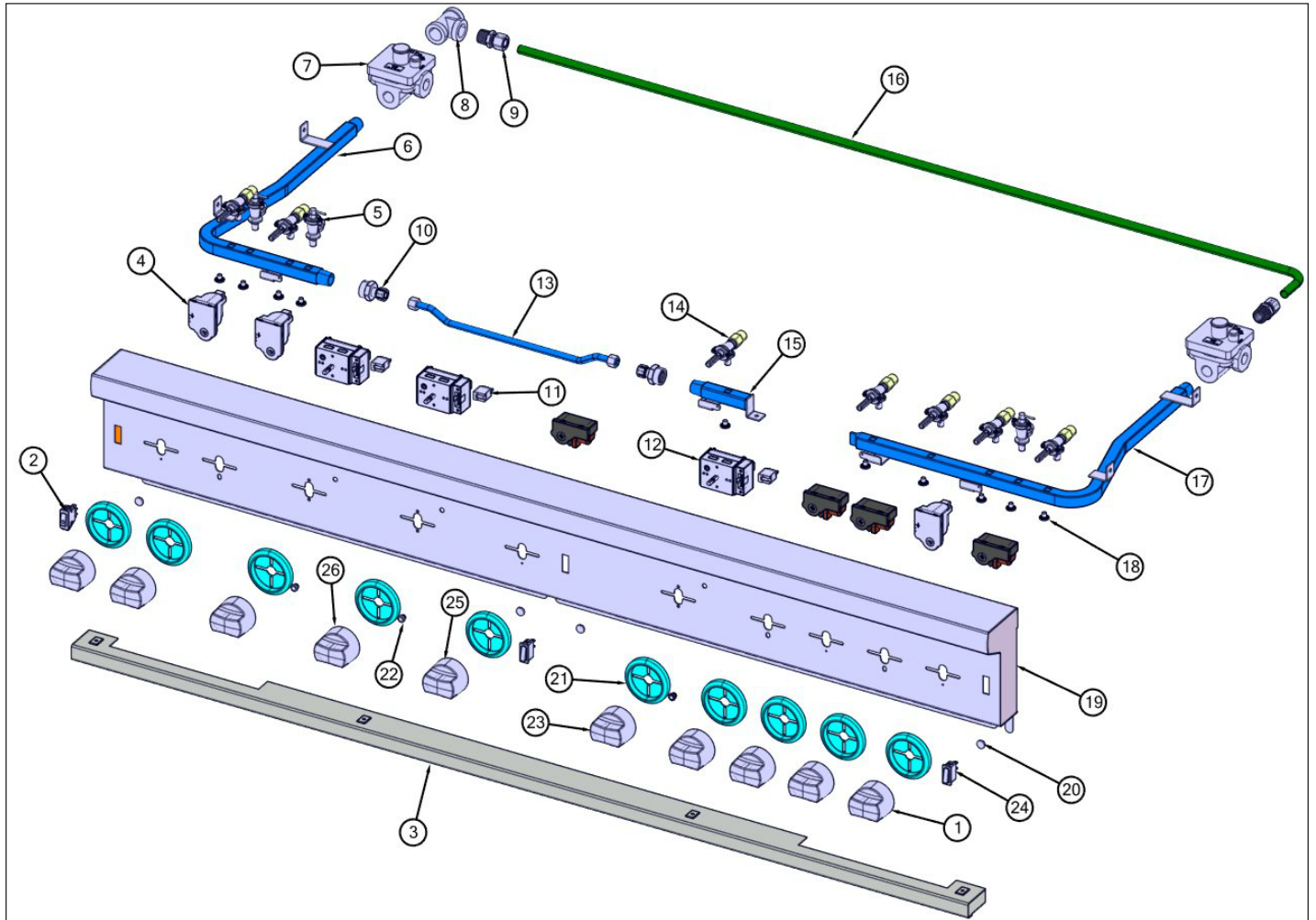
Comments for Part Num. PE050024

haarnink@vikingrange.com on Jan 14, 2019

please note that the indicator light is now part 043135-000 but needs the Jumper harness 051443-000. and second option there are units in the field with a 230V indicator light part number 036566-000.

please check this for all "E" module ranges/Tops

12	013213-000	TSTAT, SMPS, ELEC, 2-POS, .91" SHAFT, CB	3	EA	
13	014566-000	GRILL TUBING	1	EA	
14	006313-000	VALVE, BRS, SEALED TOP	7	EA	
15	014549-000	MANIFOLD, GRDL, 60"	1	EA	
16	014573-000	MANIFOLD TUBING, 60"	1	EA	
17	014561-000	MANIFOLD, GRDL, 60"	1	EA	
18	PD010012	VALVE BOLT 1/4-20 UNC-2B 5/16" M.S.	10	EA	





Item	Part No.	Name	Qty	Uom	NOTES
19	042238-2219	CONTROL PANEL ASM, 60, GQ	1	EA	
20	PD040004	GROMMET BUMPER	4	EA	
21	050172-000	KNOB BEZEL	10	EA	
21	PB010304PVD	RESTYLE KNOB BEZEL, BR	10	EA	
22	PE050023	OVEN IND. LIGHT (LENS & BEZEL)	3	EA	
23	008416-000	KNOB, THERMOSTAT, #3 SSS, ASM, VGCC	2	EA	
Not Shown	NOTE	BEFORE 12/20/12		EA	
23	035891-000	KNOB,OVN,TSTAT, PRO VGCC CR3	2	EA	
Not Shown	NOTE	AFTER 12/20/12		EA	
24	003719-000	OVEN LIGHT SWITCH, BLACK	1	EA	
25	006574-000	KNOB, GRL, ASM, PVD, #3, SSS	1	EA	
Not Shown	NOTE	BEFORE 12/20/12		EA	
25	035885-000	KNOB,GRL,PRO CR3	1	EA	
Not Shown	NOTE	AFTER 12/20/12		EA	
26	006570-000	KNOB, GRDL/(LH OVEN), ASM, PVD, #3, SSS	1	EA	

Comments for Part Num. 006570-000

bradleysapplianceservice@shaw.ca on Aug 25, 2015

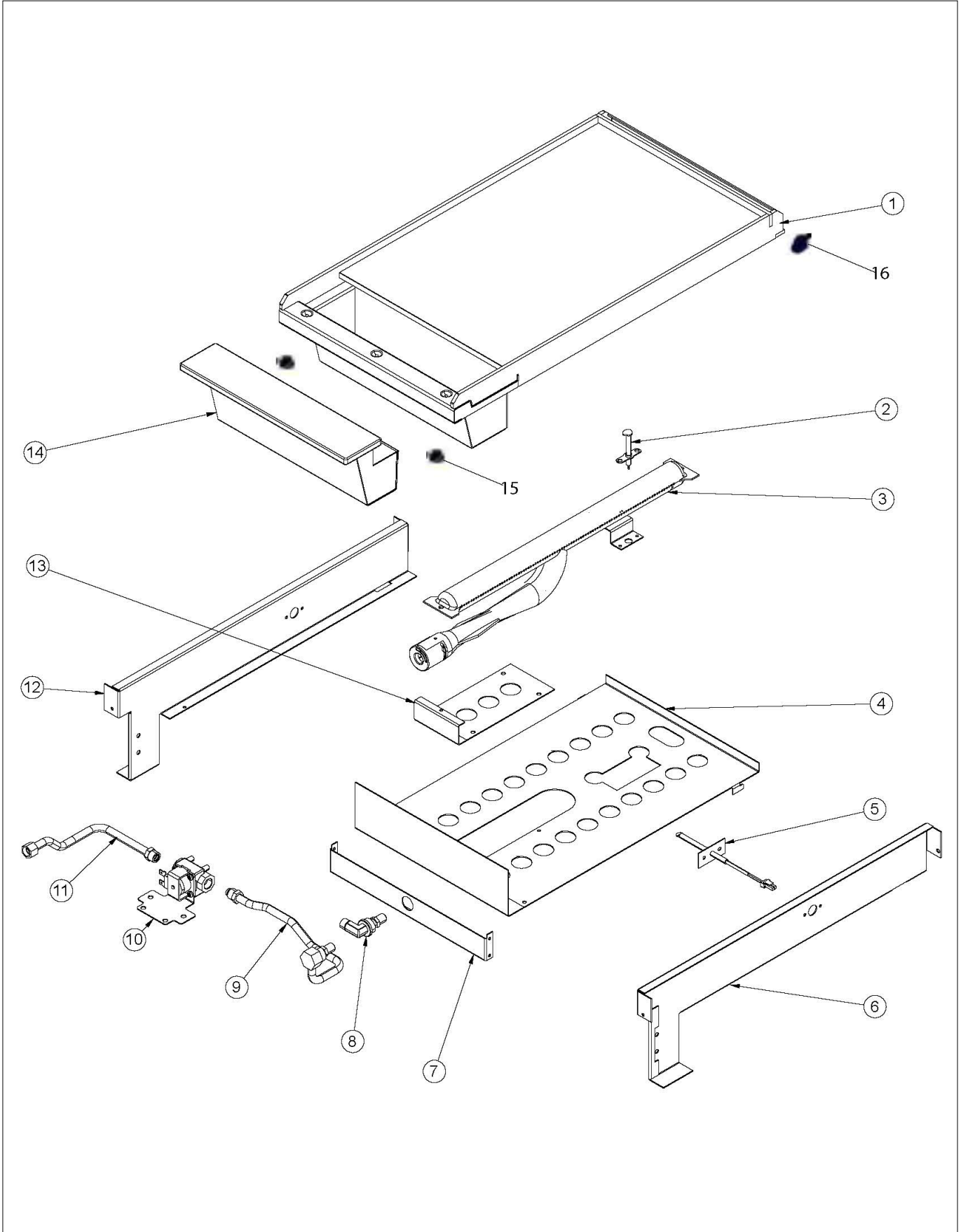
006570-000 Griddle Knob Satin Stainless Steel (SSS) - Serial Break: Before 12/20/12

035883-000 Griddle Knob Stainless Steel (SS) - Serial Break After 12/20/12

If stainless steel (SS) is required: Use part number 035883-000 Griddle Knob

Not Shown	NOTE	BEFORE 12/20/12		EA	
26	035883-000	KNOB,GRDL,PRO CR3	1	EA	
Not Shown	NOTE	AFTER 12/20/12		EA	

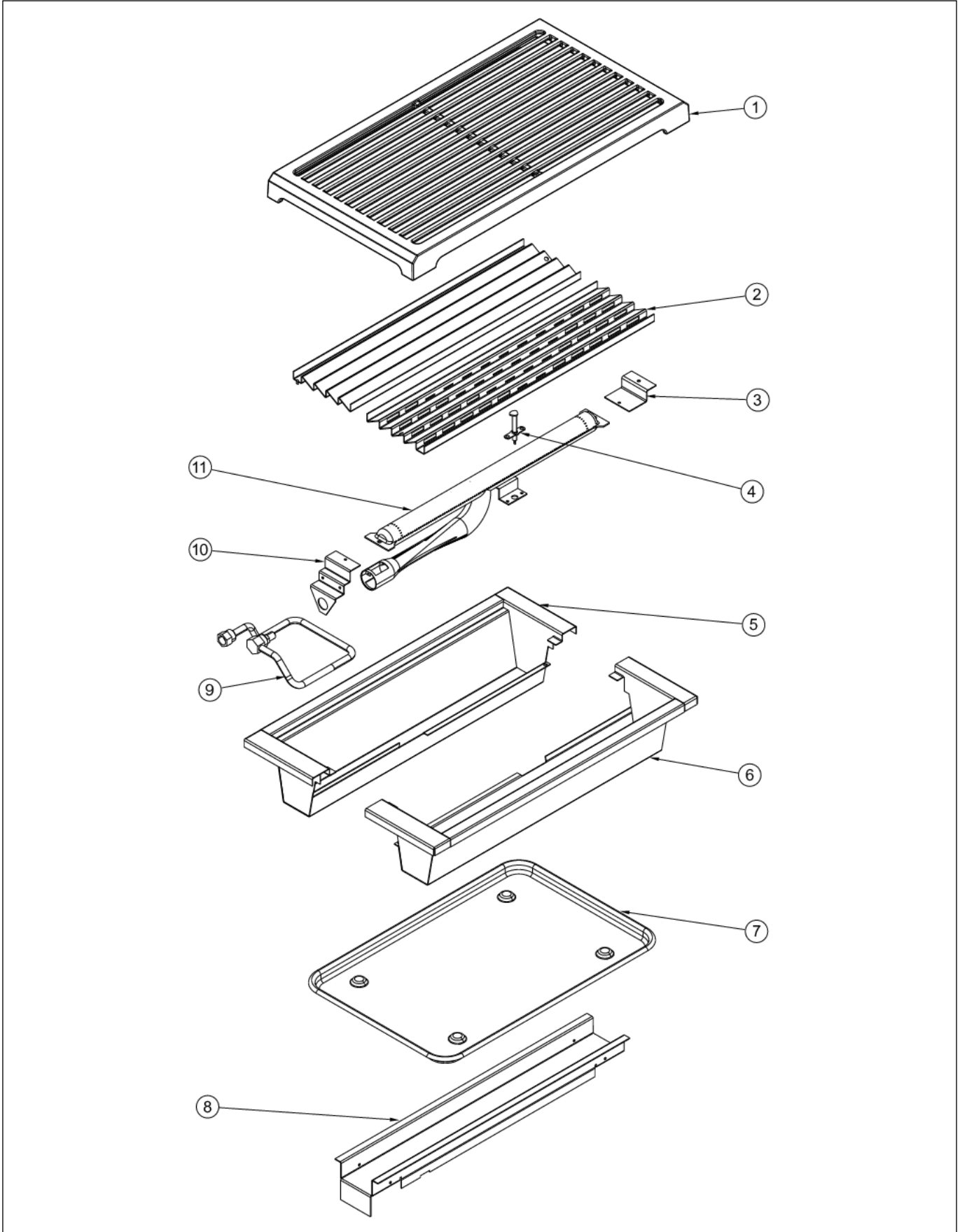
GRIDDLE ASSEMBLY





Item	Part No.	Name	Qty	Uom	NOTES
1	040230-000	12" GRIDDLE, ASM	1	EA	
2	PA020028	SPARK IGNITER	1	EA	
3	013888-000	GRIDDLE, BURNER, ASM, NAT, W/IGNITOR BRACKET	1	EA	
3	013889-000	GRIDDLE, BURNER, ASM, LP, W/IGNITOR BRACKET	1	EA	
4	016292-000	BURNER BOX BOTTOM, GRILL	1	EA	
5	PE050206	RTD THERMOSTAT PROBE	1	EA	
6	016295-000	SIDE, GRILL BOX, RH	1	EA	
7	006783-000	GRIDDLE BRKT, ORIFICE, CUSTOM RANGES	1	EA	
8	PB040190	90 DEGREE ORIFICE FITTING #50 NAT	1	EA	
8	002513-000	90 DEGREE ORIFICE FITTING #57 LP	1	EA	
9	014712-000	TUBING, GRIDDLE ORIFICE ASM	1	EA	
10	009111-000	VALVE, SOL, SINGLE	1	EA	
11	014709-000	TUBING, GRILL VALVE ASM	1	EA	
12	016293-000	GRIDDLE SUPPORT, LEFT	1	EA	
13	006785-000	GRIDDLE, BOX, VENTURI, COVER	1	EA	
14	023133-000	TROUGH, GRIDDLE, ASM	1	EA	
15	PD040035	GROMMET-SPIDER GRATE (VGSU)	2	EA	
16	024940-000	COVER, CRNR	2	EA	

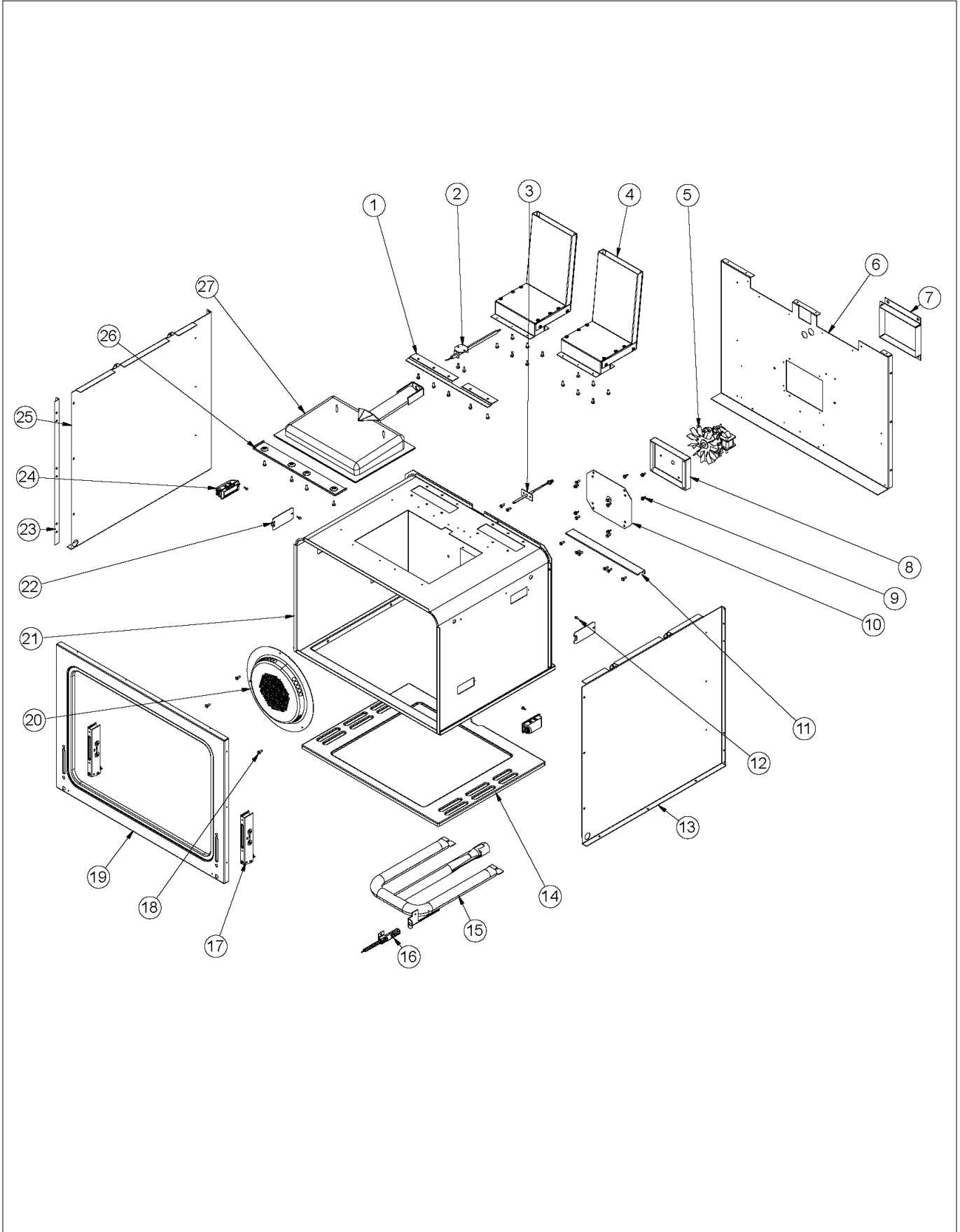
GRILL ASSEMBLY





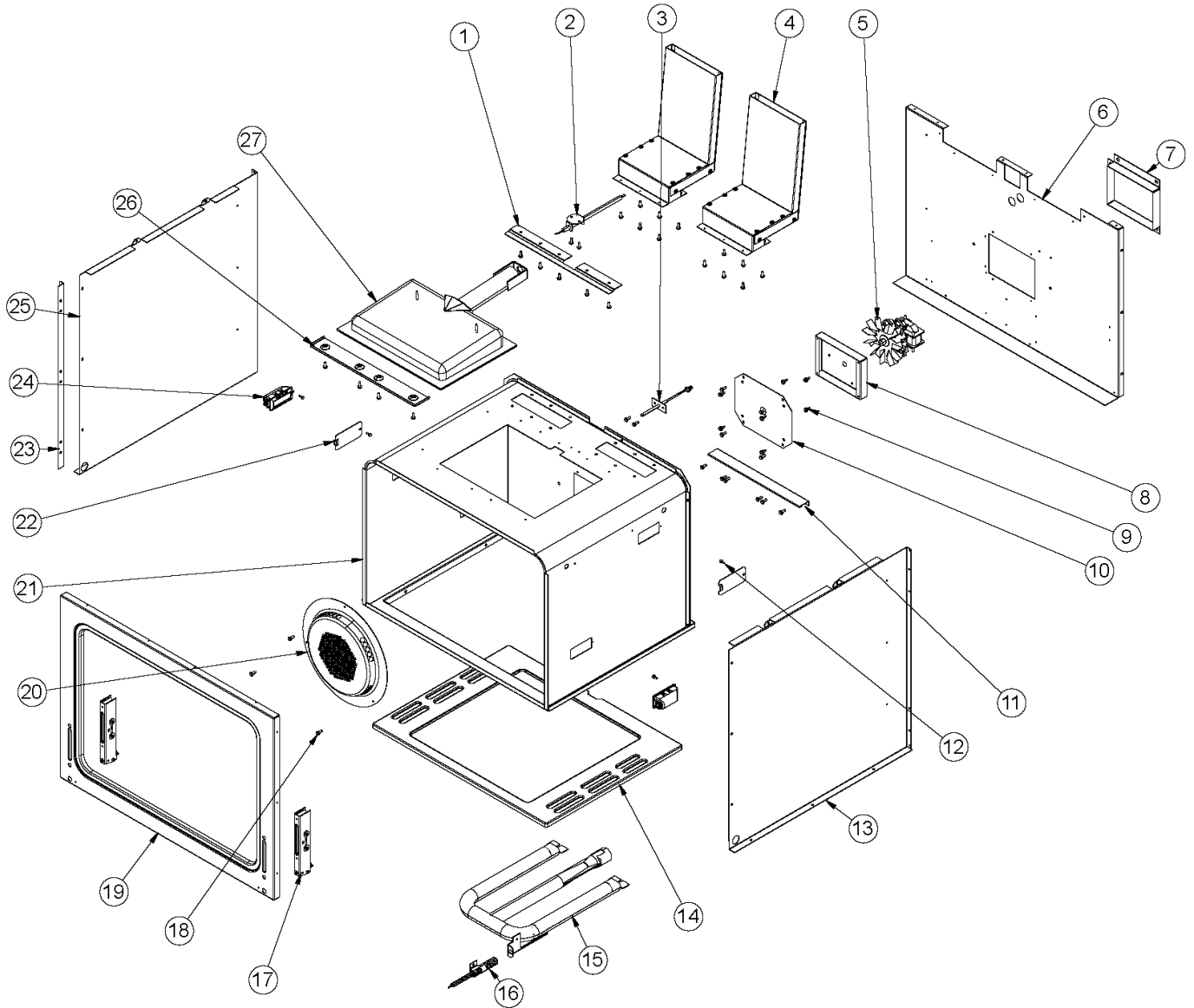
Item	Part No.	Name	Qty	Uom	NOTES
1	010168-000	CUSTOM RANGE GRILL GRATE	1	EA	
2	072628-402	Grill, Smoke Generator	2	EA	
3	008636-000	BRACKET, BURNER, GRILL, REAR	1	EA	
4	PA020028	SPARK IGNITER	1	EA	
5	013595-000	PAN, DRIP, ASM, LEFT	1	EA	
6	013593-000	PAN, DRIP, ASM, RIGHT	1	EA	
7	J2101749	GREASE PAN	1	EA	
8	008638-000	OVEN DIVIDER	1	EA	
9	014704-000	TUBING, GRILL ASM	1	EA	
10	007776-000	MOUNT, GRILL, BURNER, FRONT	1	EA	
11	007878-000	BURNER, GRIL, ASM	1	EA	

LH CAVITY INTERIOR





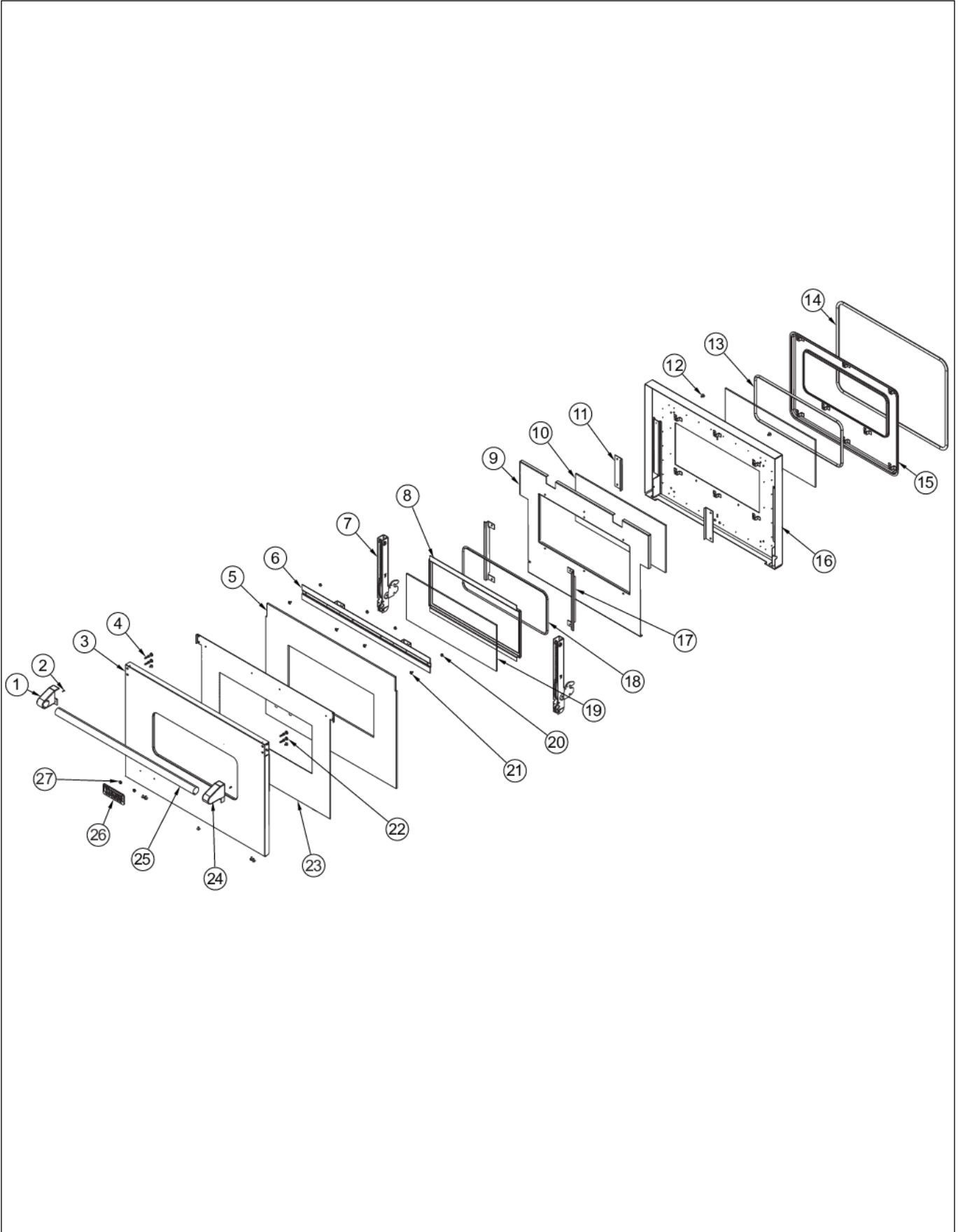
Item	Part No.	Name	Qty	Uom	NOTES
1	B2005589	REAR BROILER BRACKET	1	EA	Not available online / Call for pricing and availability
2	PB040171	BROIL IGNITION ELECTRODE	1	EA	
3	PE050206	RTD THERMOSTAT PROBE	1	EA	
4	006192-000	VENT, ASM, OVEN ASSEMBLY	2	EA	
5	023089-000	MOTOR, CONVECTION, 120V/60HZ	1	EA	
6	020404-000	FLAT PANEL	1	EA	
7	A2008467	INSULATION SHIELD	1	EA	
8	031735-000	BOX, INSUL., FAN	1	EA	
9	003860-000	FASTENER, SCR, HXWH, STL, ZP LT, 10-18 x .500	7	EA	
10	021199-000	COVER, BOX, INSULATION	1	EA	
11	031445-403	BRACE, OVEN, BOTTOM, BACK	1	EA	
12	PD020067	#6 X 3/8" PAN PHIL. TEK *SS*	4	EA	
13	004479-000	INSULATION, PNL, SIDE, RH	1	EA	
14	068456-000	ASM, BOTTOM, CAVITY, OVEN, GAS, 30", GRAY	1	EA	
Not Shown	NOTE	(INCLUDES HEAT SHIELD)	1	EA	
15	005329-000	BURNER, OVEN, ASM	1	EA	
16	PB040170	BAKE IGNITION ELECTRODE	1	EA	
17	031679-000	RECEPTACLE, HINGE	2	EA	
18	PD020048	NO.10 X 1/2 TEK 410 SS SCREW	38	EA	
19	005373-000	30" FRONT FRAME WELD ASSY	1	EA	
20	021225-000	COVER, CNVN, ASM	1	EA	
Not Shown	NOTE	(BETWEEN 09/20/10 THRU 1/25/12)		EA	
20	021225-403	COVER, CNVN, ASM, GY PORC	1	EA	
Not Shown	NOTE	(BETWEEN 01/25/12 THRU 12/20/12)		EA	
20	021225-402	COVER, CNVN, ASM, BK PORC	1	EA	
Not Shown	NOTE	(BETWEEN 12/20/12 THRU 11/30/17)		EA	
20	013580-402	CONV COVER W/BK PORC	1	EA	





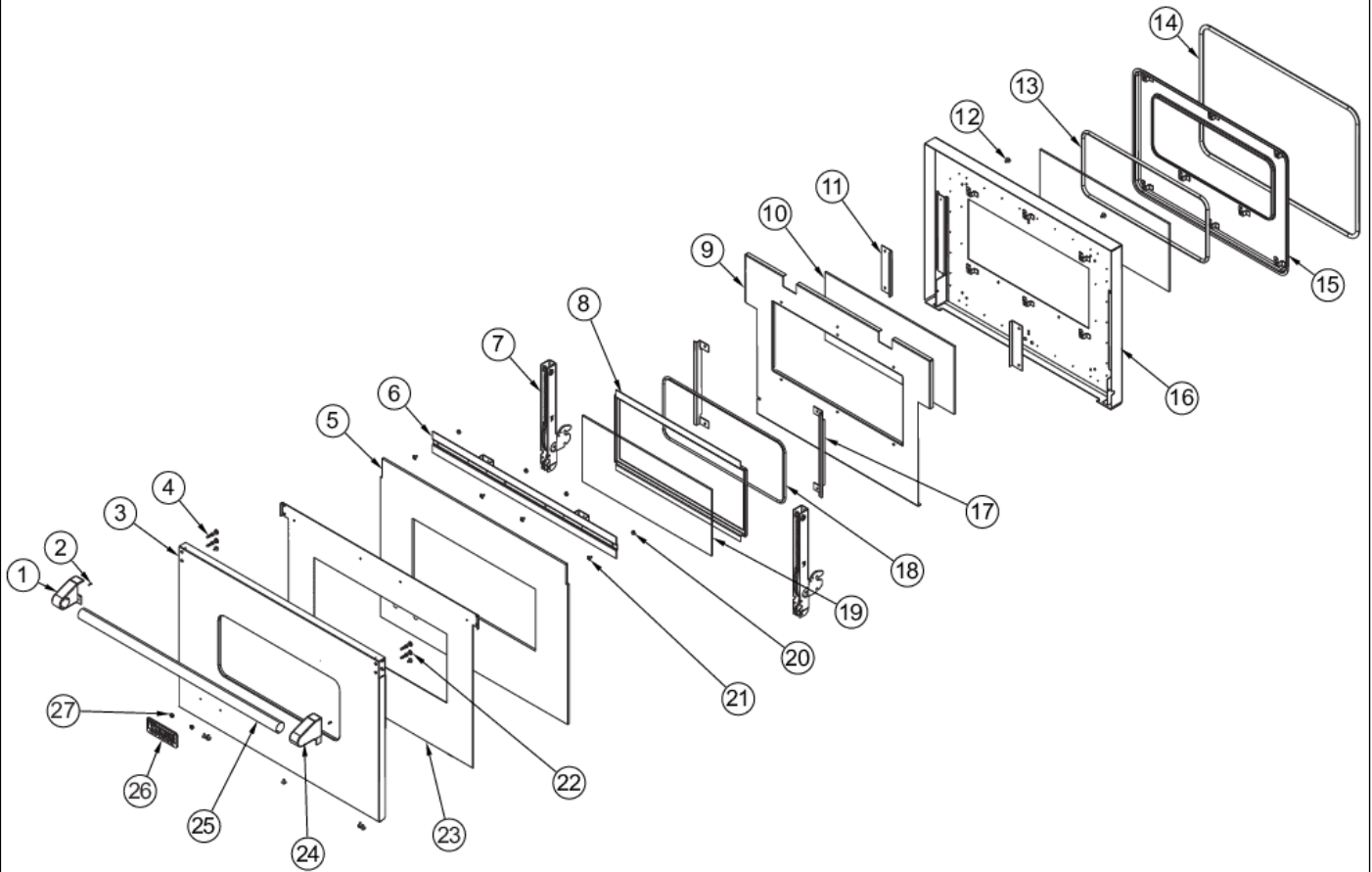
Item	Part No.	Name	Qty	Uom	NOTES
Not Shown	NOTE	(ON OR AFTER 11/30/17)		EA	
21	UNSERVICEABLE	OVEN CAVITY WELD	1	EA	
22	E91012614	LIGHT HOLE COVER	2	EA	
23	005536-000	TRIM	1	EA	
24	005311-000	LAMP, OVEN, 120V/25W	2	EA	
25	004482-000	INSULATION, PNL, SIDE, LH	1	EA	
26	B2001448	IR BROIL SUPT (FRONT)	1	EA	
27	G3001876	IR BURNER ASSY (VGSC/RC) N/S	1	EA	
NI	PB060030	RACK SUPT REPL PB060010	2	EA	
Not Shown	NOTE	BEFORE 12/20/12		EA	
NI	066225-402	SUPPORT, RACK D3	2	EA	
Not Shown	NOTE	ON OR AFTER 12/20/12		EA	
NI	PB060044	OVEN RK VDSC30/48RH REPL PB060019	3	EA	
Not Shown	NOTE	BEFORE 12/20/12		EA	
NI	040863-000	RACK, PRO, 30"	1	EA	
Not Shown	NOTE	ON OR AFTER 12/20/12		EA	
NI	040345-000	RACK, GLDE, 30", PRO ASSY	2	EA	
Not Shown	NOTE	ON OR AFTER 12/20/12		EA	
NI	007278-000	ARM HINGE CLIP	2	EA	
Not Shown	NOTE	(BEFORE 01/02/13)		EA	
NI	049718-402	CLIP, RETAINER, HINGE, GLOSS BLACK ENAMEL	2	EA	
Not Shown	NOTE	(AFTER 01/02/13)		EA	

LH DOOR ASSEMBLY



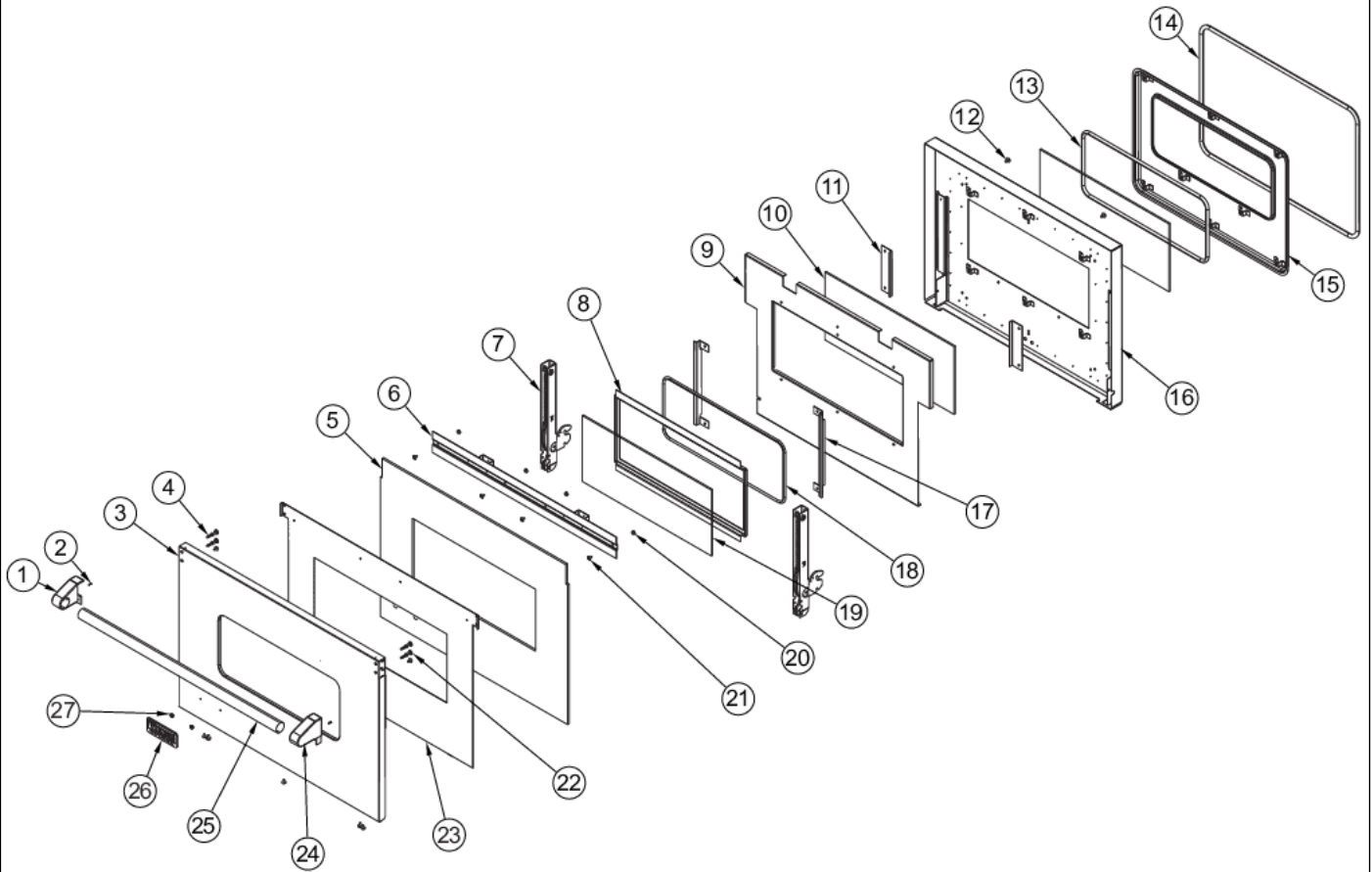


Item	Part No.	Name	Qty	Uom	NOTES
1	003011-000	DOOR HANDLE ENDCAP ASSY, LH (CHROME)	1	EA	
1	003011-100	DOOR HANDLE ENDCAP ASSY, LH (BRASS)	1	EA	
2	003650-000	SET SCREW	2	EA	
3	004683-000	PANEL	1	EA	
4	030823-000	#10-32 PAN HEAD PHILLIPS MACHINE SCREW	4	EA	
5	004685-000	INSULATION, DOOR, PANEL	1	EA	
6	006553-000	DOOR BRACKET, WELD ASSY	1	EA	
7	002740-000	DOOR HINGE	2	EA	See TC-0121-SP Service Bulletin
8	008097-000	FRAME, GLASS, ALUMINUM	1	EA	
9	004688-000	DOOR PANEL INSULATION LINER	1	EA	
10	PE060039	GLASS-HEAT TREATED (HB2) VDSC	2	EA	
11	A2002189	DOOR GLASS STANDOFF (VDSC)	2	EA	
12	PD020033	SRW-NO.10-24X1/2T(23)PH.WFR HD (NKL)	4	EA	
13	000594-000	BLACK FIBERGLASS ROPE 3/8	1	EA	
14	000042-000	30" DOOR GASKET	1	EA	
15	001142-000	PLUG, DOOR, ASM, PORCELAIN	1	EA	
Comments for Part Num. 001142-000					
bradleysapplianceservice@shaw.ca on Nov 2, 2015					
001142-000 PLUG, DOOR, ASM, PORCELAIN (GREY WITH WHITE SPECS) OLD STYLE					
001142-402 PLUG, DOOR, ASM, PORCELAIN BK (BLACK LINER) NEW STYLE					
Not Shown	NOTE	(BEFORE 12/20/12)		EA	
15	001142-402	PLUG, DOOR, ASM, PORCELAIN BK	1	EA	
Not Shown	NOTE	(ON OR AFTER 12/20/12)		EA	
16	004691-000	DOOR LINER ASSY	1	EA	



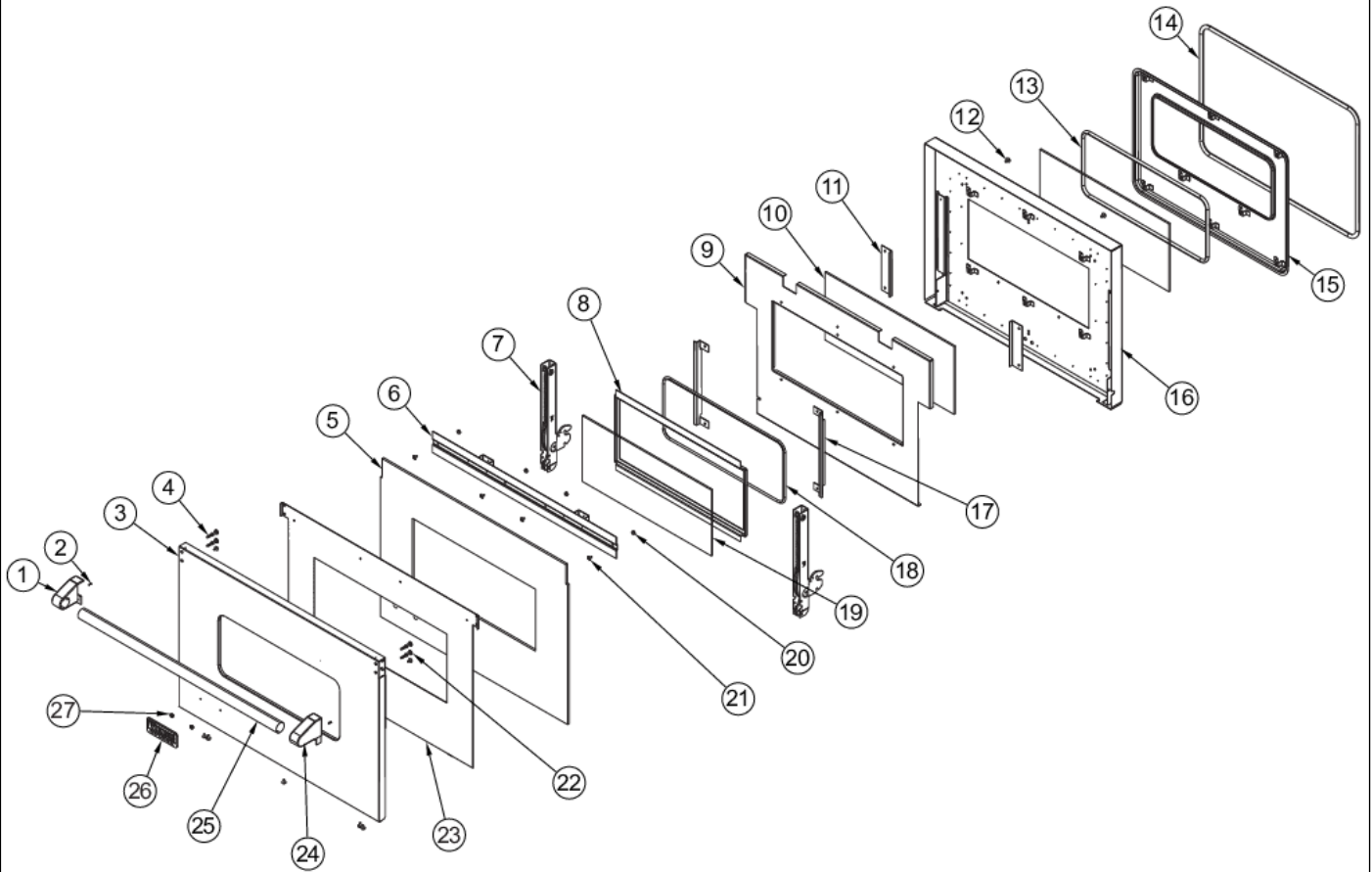


Item	Part No.	Name	Qty	Uom	NOTES
Comments for Part Num. 004691-000					
profixappliances@gmail.com on Dec 29, 2017					
004691-000 IS SPECKLED FINISH, FOR ALL BLACK FINISH ORDER 004691-402.					
Not Shown	NOTE	(BEFORE 12/20/12)		EA	
16	004691-402	LINER, DOOR ASM, BK PORC	1	EA	
Not Shown	NOTE	(ON OR AFTER 12/20/12)		EA	
17	007583-000	BRACKET, GLASS	2	EA	
18	PE060031	J-MOLD (LARGE WINDOW)	1	EA	
19	PE060030	OUTER DOOR GLASS	1	EA	
20	PD030010	#10-24 KEPS NUT ZINC PLATED	4	EA	
21	PD020073	SRW NO.10 X 24 X 3/8 WAFER HD TYPE23	9	EA	
22	004907-000	STEEL FINISHING PLUG, NICKEL PLTD 25/64" HOLE	4	EA	
23	004684-000	PANEL, DOOR, INSULATION, GSC	1	EA	
24	003012-000	DOOR HANDLE ENDCAP ASSY, RH (CHROME)	1	EA	
24	003012-100	DOOR HANDLE ENDCAP ASSY, RH (BRASS) - NLA	1	EA	
25	002728-000	DOOR HANDLE - SS, 1.25" 29.5	1	EA	
26	PE010030	LOGO	1	EA	
26	PE010068	LOGO 6" (VGRC) BK/BR	1	EA	
27	PD030006	CAPPED WASHER PAL NUT	2	EA	
NI	027926-000	DOOR ASSY, LH, W/ LOGO, SS	1	EA	
NI	027946-002	DOOR ASSY, LH, W/ LOGO, BK	1	EA	
NI	027946-003	DOOR ASSY, LH, W/ LOGO, BT	1	EA	
NI	027946-004	DOOR ASSY, LH, W/ LOGO, SG	1	EA	
NI	027946-005	DOOR ASSY, LH, W/ LOGO, GG	1	EA	
NI	027946-006	DOOR ASSY, LH, W/ LOGO, WH	1	EA	
NI	027946-008	DOOR ASSY, LH, W/ LOGO, BU	1	EA	
NI	027946-009	DOOR ASSY, LH, W/ LOGO, LE	1	EA	
NI	027946-010	DOOR ASSY, LH, W/ LOGO, MJ	1	EA	

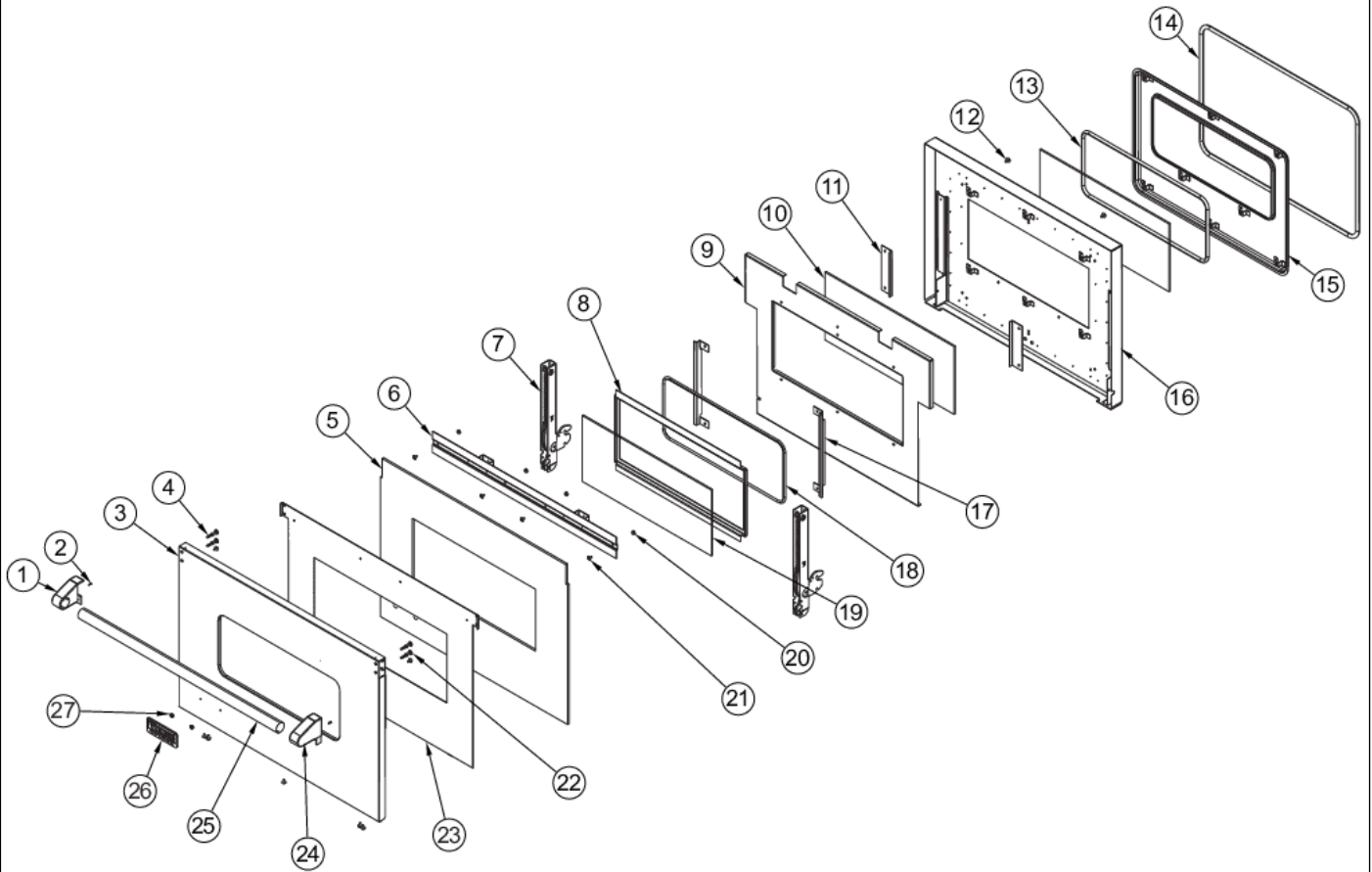




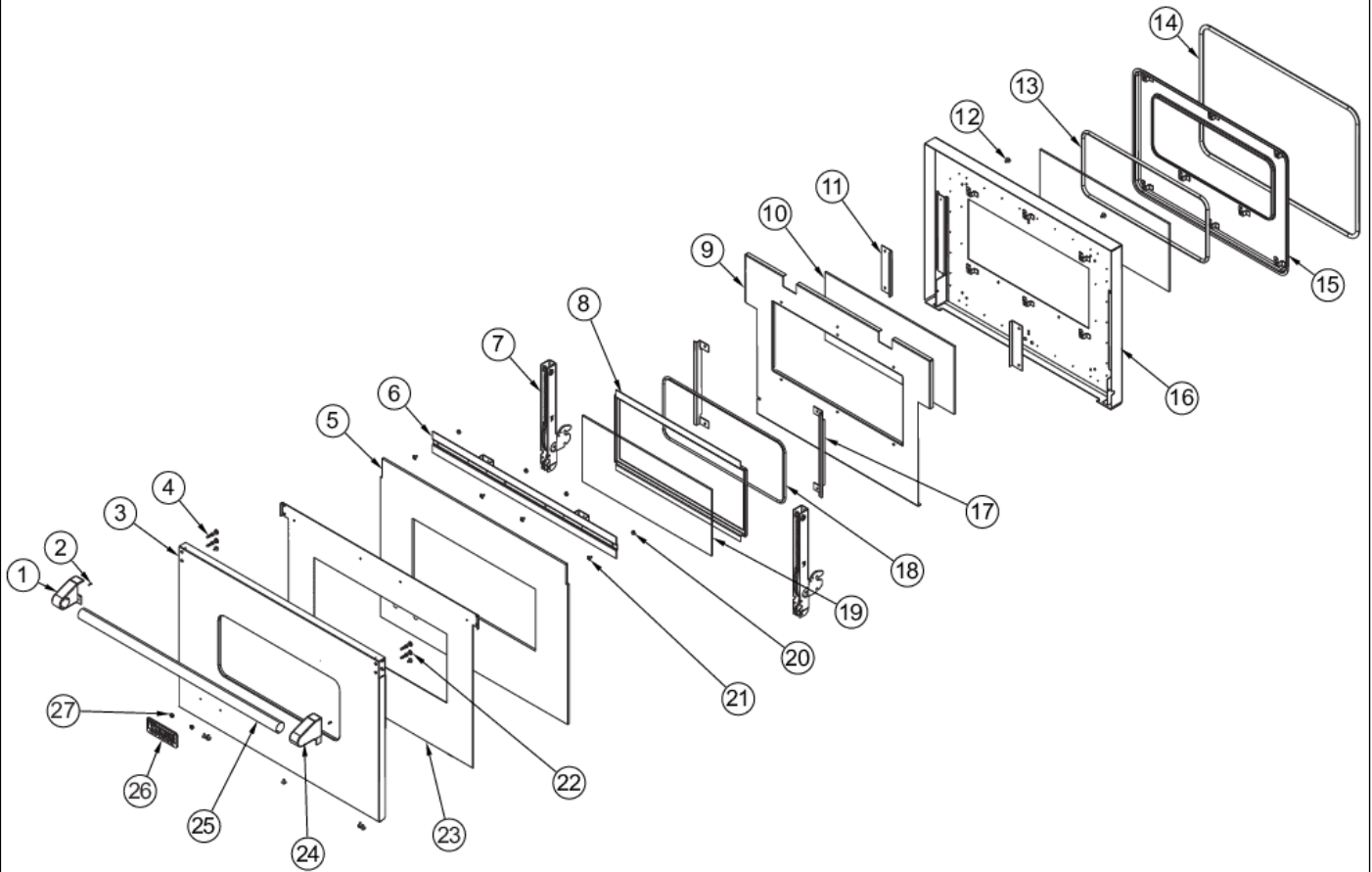
Item	Part No.	Name	Qty	Uom	NOTES
NI	027946-012	DOOR ASSY, LH, W/ LOGO, VB	1	EA	
NI	027946-013	DOOR ASSY, LH, W/ LOGO, CB	1	EA	
NI	027946-015	DOOR ASSY, LH, W/ LOGO, PL	1	EA	
NI	027946-016	DOOR ASSY, LH, W/ LOGO, CH	1	EA	
NI	027946-017	DOOR ASSY, LH, W/ LOGO, TP	1	EA	
NI	027946-018	DOOR ASSY, LH, W/ LOGO, CW NLA	1	EA	
NI	027946-019	DOOR ASSY, LH, W/ LOGO, OG	1	EA	
NI	027946-020	DOOR ASSY, LH, W/ LOGO, GM	1	EA	
NI	027946-021	DOOR ASSY, LH, W/ LOGO, SA	1	EA	
NI	027946-022	DOOR ASSY, LH, W/ LOGO, SE	1	EA	
NI	027946-023	DOOR ASSY, LH, W/ LOGO, IB	1	EA	
NI	027946-024	DOOR ASSY, LH, W/ LOGO, AR	1	EA	
NI	027946-025	DOOR ASSY, LH, W/ LOGO, RR	1	EA	
NI	027946-026	DOOR ASSY, LH, W/ LOGO, PM	1	EA	
NI	027946-027	DOOR ASSY, LH, W/ LOGO, MS	1	EA	
NI	027926-100	DOOR ASSY, LH, W/ LOGO, SS/BR	1	EA	
NI	027946-102	DOOR ASSY, LH, W/ LOGO, BK/BR	1	EA	
NI	027946-103	DOOR ASSY, LH, W/ LOGO, BT/BR	1	EA	
NI	027946-104	DOOR ASSY, LH, W/ LOGO, SG/BR	1	EA	
NI	027946-105	DOOR ASSY, LH, W/ LOGO, GG/BR	1	EA	
NI	027946-106	DOOR ASSY, LH, W/ LOGO, WH/BR	1	EA	
NI	027946-108	DOOR ASSY, LH, W/ LOGO, BU/BR	1	EA	
NI	027946-109	DOOR ASSY, LH, W/ LOGO, LE/BR	1	EA	
NI	027946-110	DOOR ASSY, LH, W/ LOGO, MJ/BR	1	EA	
NI	027946-112	DOOR ASSY, LH, W/ LOGO, VB/BR	1	EA	
NI	027946-113	DOOR ASSY, LH, W/ LOGO, CB/BR	1	EA	



Item	Part No.	Name	Qty	Uom	NOTES
NI	027946-115	DOOR ASSY, LH, W/ LOGO, PL/BR	1	EA	
NI	027946-116	DOOR ASSY, LH, W/ LOGO, CH/BR	1	EA	
NI	027946-117	DOOR ASSY, LH, W/ LOGO, TP/BR	1	EA	
NI	027946-118	DOOR ASSY, LH, W/ LOGO, CW/BR	1	EA	
NI	027946-119	DOOR ASSY, LH, W/ LOGO, OG/BR	1	EA	
NI	027946-120	DOOR ASSY, LH, W/ LOGO, GM/BR	1	EA	
NI	027946-121	DOOR ASSY, LH, W/ LOGO, SA/BR	1	EA	
NI	027946-122	DOOR ASSY, LH, W/ LOGO, SE/BR	1	EA	
NI	027946-123	DOOR ASSY, LH, W/ LOGO, IB/BR	1	EA	
NI	027946-124	DOOR ASSY, LH, W/ LOGO, AR/BR	1	EA	
NI	027946-125	DOOR ASSY, LH, W/ LOGO, RR/BR	1	EA	
NI	027946-126	DOOR ASSY, LH, W/ LOGO, PM/BR	1	EA	
NI	027946-127	DOOR ASSY, LH, W/ LOGO, MS/BR	1	EA	
NI	026002-000	PANEL, DOOR ASM, OUTER, SS	1	EA	
NI	026273-002	PANEL, DOOR ASM, OUTER, BK	1	EA	
NI	026273-003	PANEL, DOOR ASM, OUTER, BT	1	EA	
NI	026273-004	PANEL, DOOR ASM, OUTER, SG	1	EA	
NI	026273-005	PANEL, DOOR ASM, OUTER, GG	1	EA	
NI	026273-006	PANEL, DOOR ASM, OUTER, WH	1	EA	
NI	026273-008	PANEL, DOOR ASM, OUTER, BU	1	EA	
NI	026273-009	PANEL, DOOR ASM, OUTER, LE	1	EA	
NI	026273-010	PANEL, DOOR ASM, OUTER, MJ	1	EA	

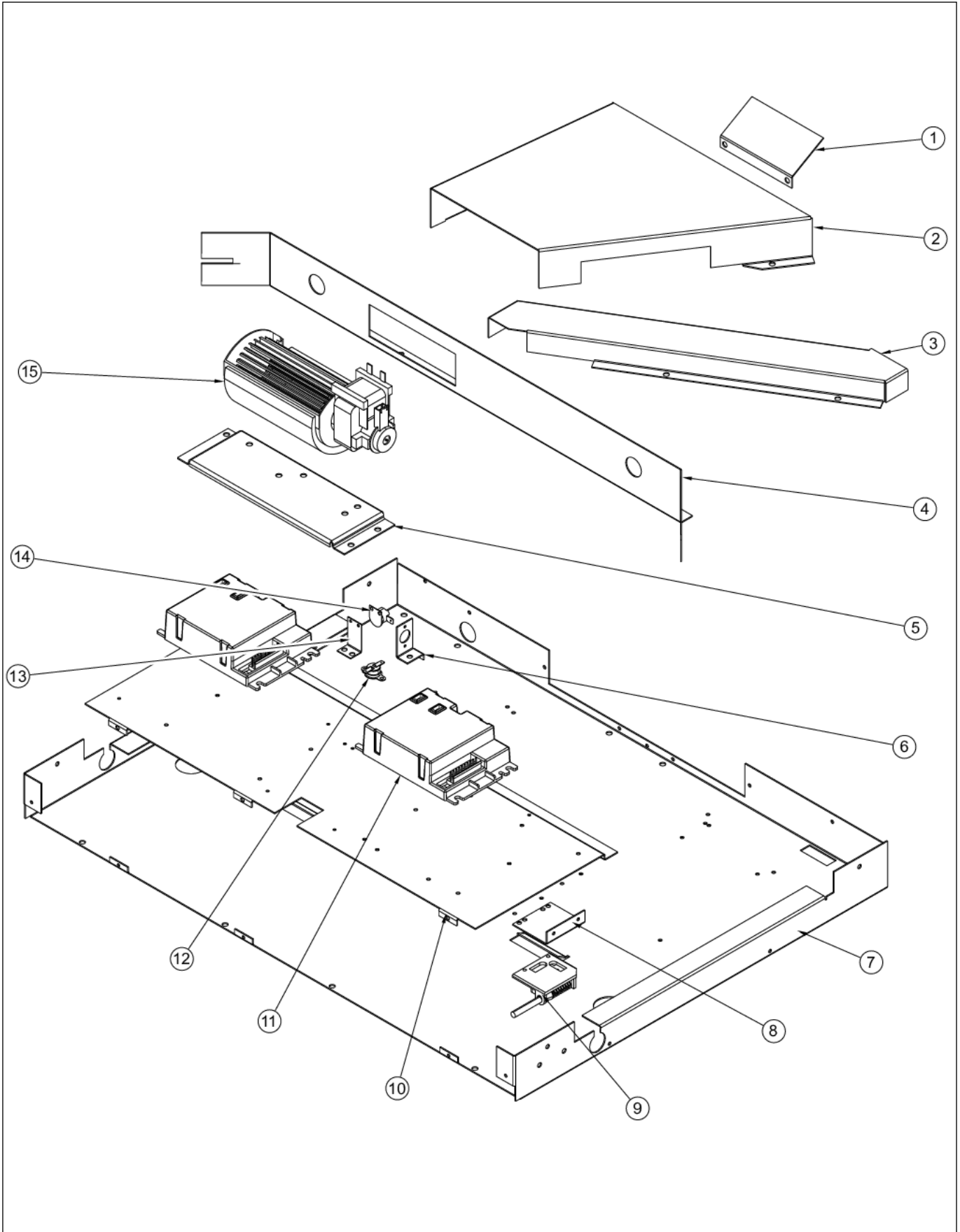


Item	Part No.	Name	Qty	Uom	NOTES
NI	026273-012	PANEL, DOOR ASM, OUTER, VB	1	EA	
NI	026273-013	PANEL, DOOR ASM, OUTER, CB	1	EA	
NI	026273-015	PANEL, DOOR ASM, OUTER, PL	1	EA	
NI	026273-016	PANEL, DOOR ASM, OUTER, CH	1	EA	
NI	026273-017	PANEL, DOOR ASM, OUTER, TP	1	EA	
NI	026273-018	PANEL, DOOR ASM, OUTER, CW NLA	1	EA	
NI	026273-019	PANEL, DOOR ASM, OUTER, OG	1	EA	
NI	026273-020	PANEL, DOOR ASM, OUTER, GM	1	EA	
NI	026273-021	PANEL, DOOR ASM, OUTER, SA	1	EA	
NI	026273-022	PANEL, DOOR ASM, OUTER, SE	1	EA	
NI	026273-023	PANEL, DOOR ASM, OUTER, IB	1	EA	
NI	026273-024	PANEL, DOOR ASM, OUTER, AR	1	EA	
NI	026273-025	PANEL, DOOR ASM, OUTER, RR	1	EA	
NI	026273-026	PANEL, DOOR ASM, OUTER, PM	1	EA	
NI	026273-027	PANEL, DOOR ASM, OUTER, MS	1	EA	
NI	026002-100	PANEL, DOOR ASM, OUTER, SS/BR	1	EA	
NI	026273-102	PANEL, DOOR ASM, OUTER, BK/BR	1	EA	
NI	026273-103	PANEL, DOOR ASM, OUTER, BT/BR	1	EA	
NI	026273-104	PANEL, DOOR ASM, OUTER, SG/BR	1	EA	
NI	026273-105	PANEL, DOOR ASM, OUTER, GG/BR	1	EA	
NI	026273-106	PANEL, DOOR ASM, OUTER, WH/BR	1	EA	
NI	026273-108	PANEL, DOOR ASM, OUTER, BU/BR	1	EA	



Item	Part No.	Name	Qty	Uom	NOTES
NI	026273-109	PANEL, DOOR ASM, OUTER, LE/BR	1	EA	
NI	026273-110	PANEL, DOOR ASM, OUTER, MJ/BR	1	EA	
NI	026273-112	PANEL, DOOR ASM, OUTER, VB/BR	1	EA	
NI	026273-113	PANEL, DOOR ASM, OUTER, CB/BR	1	EA	
NI	026273-115	PANEL, DOOR ASM, OUTER, PL/BR	1	EA	
NI	026273-116	PANEL, DOOR ASM, OUTER, CH/BR	1	EA	
NI	026273-117	PANEL, DOOR ASM, OUTER, TP/BR	1	EA	
NI	026273-118	PANEL, DOOR ASM, OUTER, CW/BR	1	EA	
NI	026273-119	PANEL, DOOR ASM, OUTER, OG/BR	1	EA	
NI	026273-120	PANEL, DOOR ASM, OUTER, GM/BR	1	EA	
NI	026273-121	PANEL, DOOR ASM, OUTER, SA/BR	1	EA	
NI	026273-122	PANEL, DOOR ASM, OUTER, SE/BR	1	EA	
NI	026273-123	PANEL, DOOR ASM, OUTER, IB/BR	1	EA	
NI	026273-124	PANEL, DOOR ASM, OUTER, AR/BR	1	EA	
NI	026273-125	PANEL, DOOR ASM, OUTER, RR/BR	1	EA	
NI	026273-126	PANEL, DOOR ASM, OUTER, PM/BR	1	EA	
NI	026273-127	PANEL, DOOR ASM, OUTER, MS/BR	1	EA	

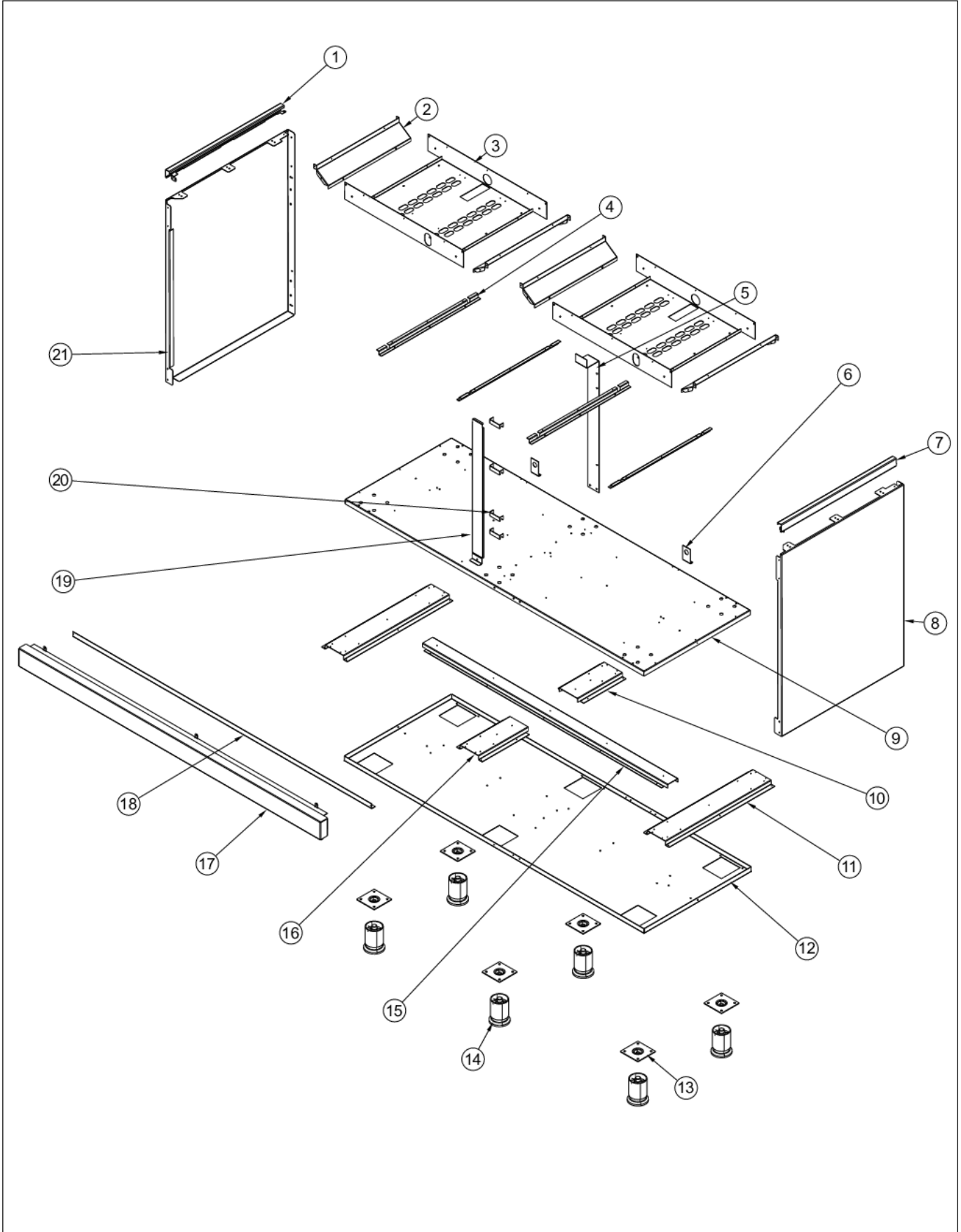
LH OVEN ELECTRONICS



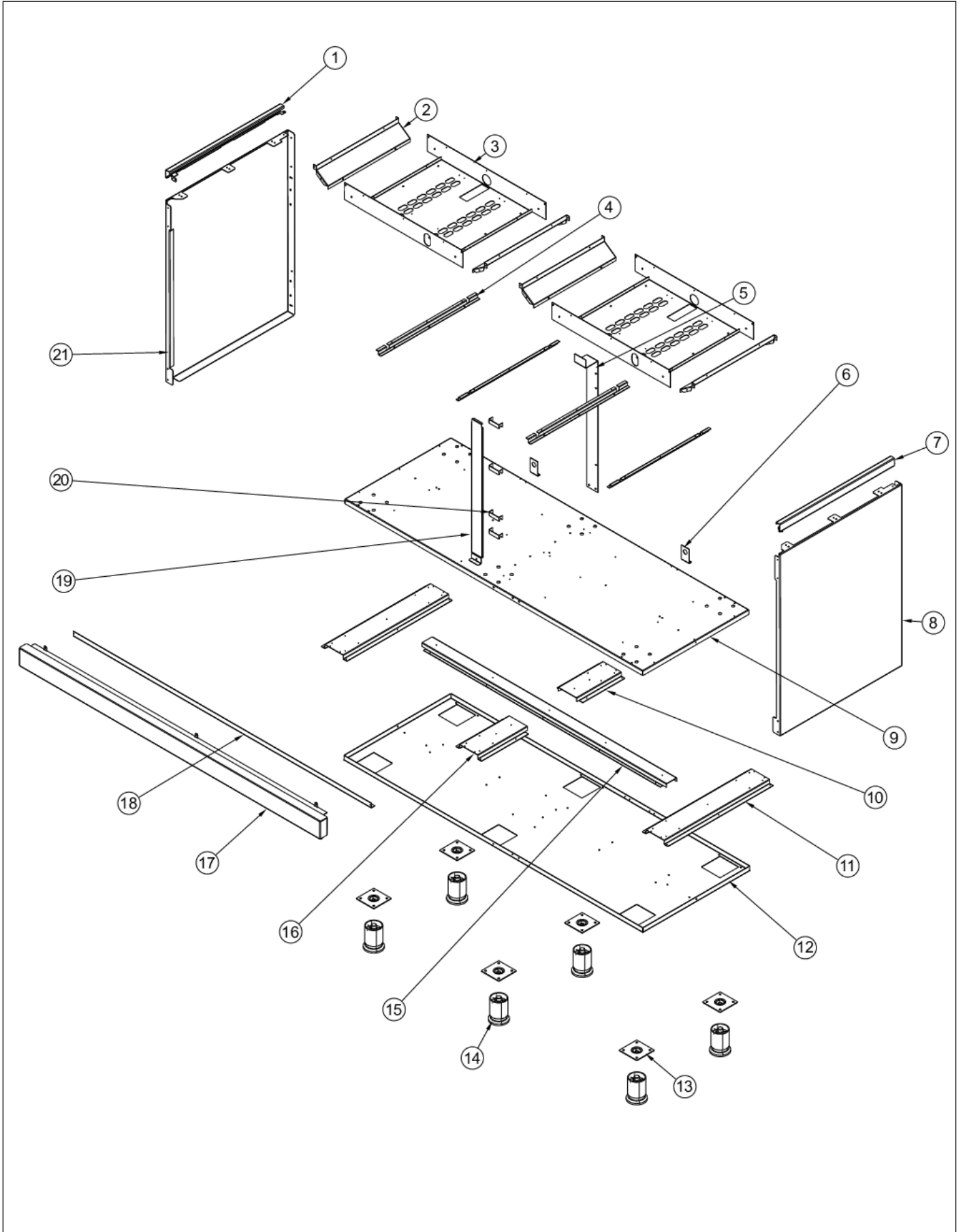


Item	Part No.	Name	Qty	Uom	NOTES
1	006952-000	DEFLECTOR, AIR	1	EA	
2	016532-000	DUCT, VENT, LH ANGLED	1	EA	
3	024732-000	DUCT, VENT, LH	1	EA	
4	014676-000	DIVIDER, AIR, LH	1	EA	
5	006956-000	BRACKET, BLO, MTG	1	EA	
6	012438-000	SWITCH, LIM, BRKT	1	EA	
7	025086-000	TOP, CAB	1	EA	Not available online / Call for pricing and availability
8	A20012649	DOOR SWITCH BRACKET	1	EA	
9	PE050208	DOOR SWITCH	1	EA	
10	025127-000	TRAY, ELEX, 30"ÃÃ	1	EA	Not available online / Call for pricing and availability
11	023651-000	DSI120-2-LVS	2	EA	
12	PJ030022	FAN SWITCH (HI-LIMIT SWITCH)	1	EA	
13	A20014089	DISC BRACKET	1	EA	
14	PJ030039	BI-METAL THERMOSTAT 275 DEGREES	1	EA	
15	007794-000	COOLING FAN, VDSC 18"	1	EA	
Not Shown	NOTE	BEFORE 8/12/13		EA	
15	030567-000	FAN,BLOW,ASM 120V (51480)	1	EA	
Not Shown	NOTE	AFTER 8/12/13		EA	

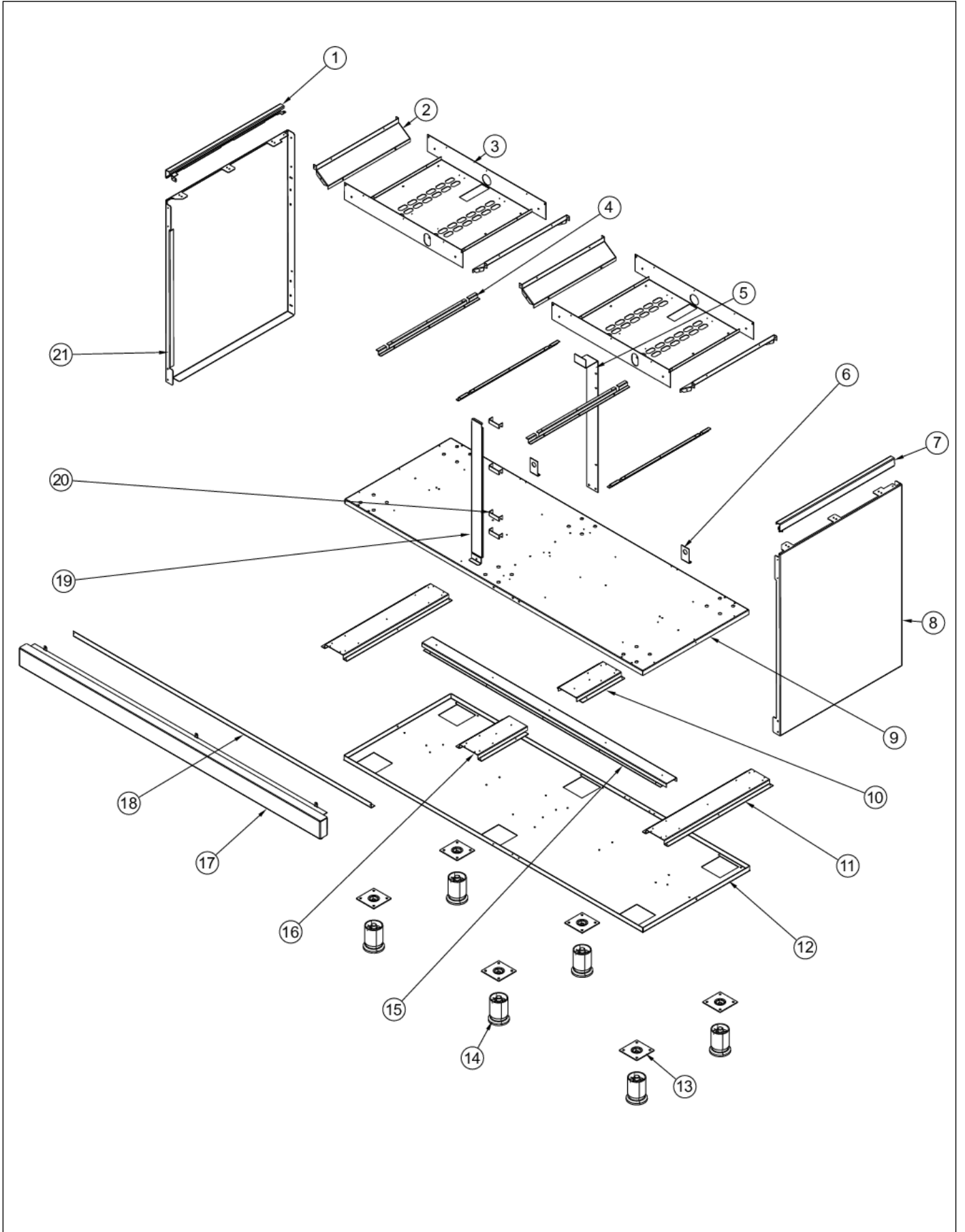
LOWER UNIT AND SIDE PANELS



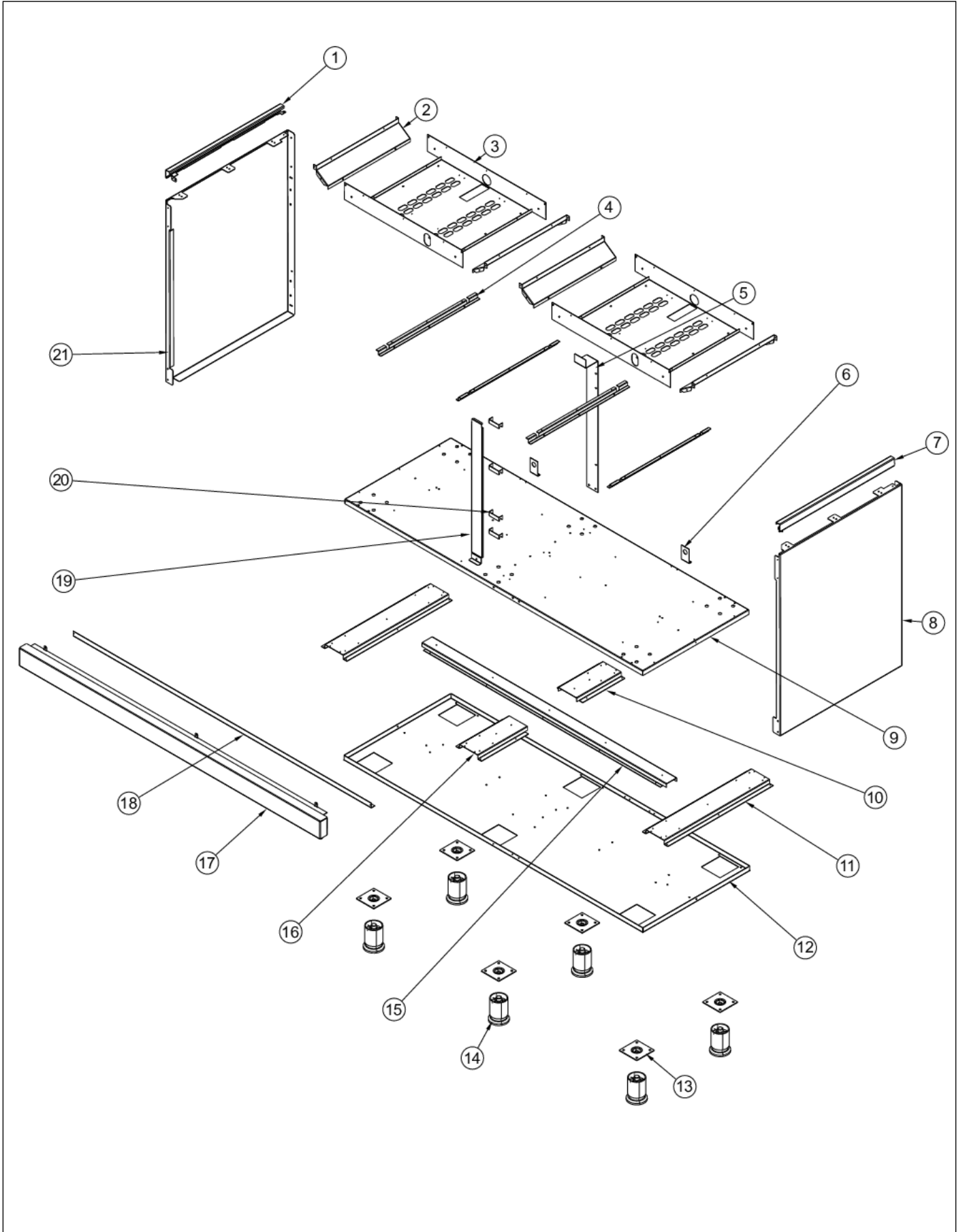
Item	Part No.	Name	Qty	Uom	NOTES
1	003649-000	TOP TRIM RING, LH	1	EA	
2	003739-000	BURNER, PAN, SIDE	4	EA	
3	003738-000	PAN, BNR	2	EA	
4	A2004429	OVEN BOTTOM INSUL. BRACE (VGSC306)	4	EA	
5	014815-000	COVER, BACK CENTER	1	EA	
6	005529-000	BAKE ORIFICE MOUNTING BRACKET	2	EA	
Not Shown	NOTE	(BEFORE 2/11/13)		EA	
6	040736-000	BRKT, ORF	1	EA	
Not Shown	NOTE	(ON OR AFTER 2/11/13)		EA	
7	002920-000	TOP TRIM RING, RH	1	EA	
8	002905-000	SIDE PANEL, RH	1	EA	
Not Shown	NOTE	(BEFORE 04/29/13)		EA	
8	042666-000	COVER, OS, RH	1	EA	
Not Shown	NOTE	(BETWEEN 04/29/13 - 02/15/16)		EA	
8	056873-000	PANEL, SIDE, RH	1	EA	
Not Shown	NOTE	(ON OR AFTER 02/15/16)		EA	
8	004645-002	SIDE PANEL, RH,-BK	1	EA	
Not Shown	NOTE	(BEFORE 06/03/13)		EA	
8	042679-002	COVER, OS, RH BK	1	EA	
Not Shown	NOTE	(BETWEEN 06/03/13 - 02/15/16)		EA	
8	004645-003	SIDE PANEL, RH,-BT	1	EA	
Not Shown	NOTE	(BEFORE 06/03/13)		EA	
8	042679-003	COVER, OS, RH BT	1	EA	
Not Shown	NOTE	(BETWEEN 06/03/13 - 02/15/16)		EA	
8	004645-004	SIDE PANEL, RH,-SG	1	EA	
Not Shown	NOTE	(BEFORE 06/03/13)		EA	
8	042679-004	COVER, OS, RH SG	1	EA	



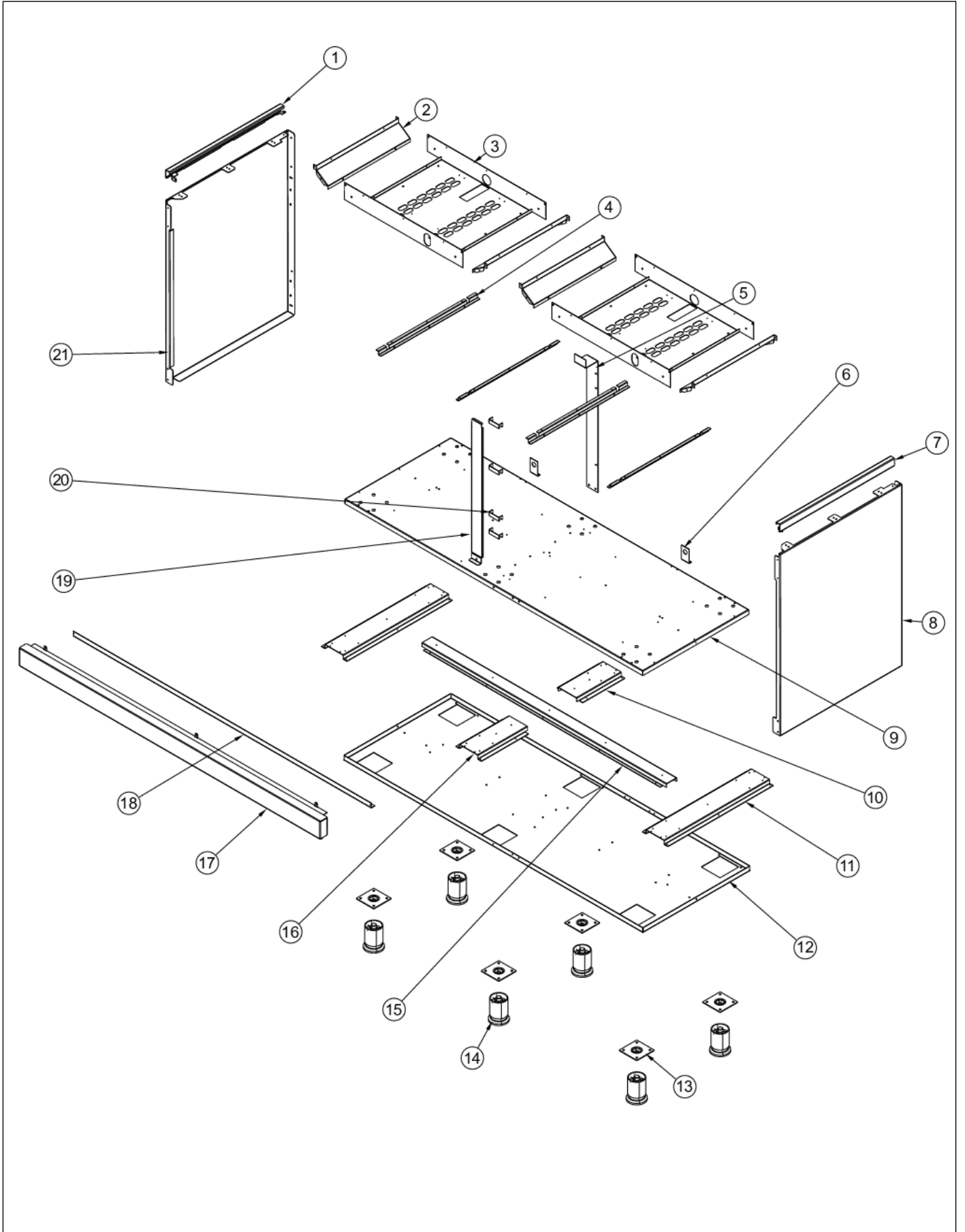
Item	Part No.	Name	Qty	Uom	NOTES
Not Shown	NOTE	(BETWEEN 06/03/13 - 02/15/16)		EA	
8	004645-005	SIDE PANEL, RH,-GG	1	EA	
Not Shown	NOTE	(BEFORE 06/03/13)		EA	
8	042679-005	COVER, OS, RH GG	1	EA	
Not Shown	NOTE	(BETWEEN 06/03/13 - 02/15/16)		EA	
8	004645-006	SIDE PANEL, RH,-WH	1	EA	
Not Shown	NOTE	(BEFORE 06/03/13)		EA	
8	042679-006	COVER, OS, RH WH	1	EA	
Not Shown	NOTE	(BETWEEN 06/03/13 - 02/15/16)		EA	
8	004645-008	SIDE PANEL, RH,-BU	1	EA	
Not Shown	NOTE	(BEFORE 06/03/13)		EA	
8	042679-008	COVER, OS, RH BU	1	EA	
Not Shown	NOTE	(BETWEEN 06/03/13 - 02/15/16)		EA	
8	004645-009	SIDE PANEL, RH,-LE	1	EA	
Not Shown	NOTE	(BEFORE 06/03/13)		EA	
8	042679-009	COVER, OS, RH LE	1	EA	
Not Shown	NOTE	(BETWEEN 06/03/13 - 02/15/16)		EA	
8	004645-010	SIDE PANEL, RH,-MJ	1	EA	
Not Shown	NOTE	(BEFORE 06/03/13)		EA	
8	042679-010	COVER, OS, RH MJ	1	EA	
Not Shown	NOTE	(BETWEEN 06/03/13 - 02/15/16)		EA	
8	004645-012	SIDE PANEL, RH,-VB	1	EA	
Not Shown	NOTE	(BEFORE 06/03/13)		EA	
8	042679-012	COVER, OS, RH VB	1	EA	
Not Shown	NOTE	(BETWEEN 06/03/13 - 02/15/16)		EA	
8	004645-013	SIDE PANEL, RH,-CB	1	EA	



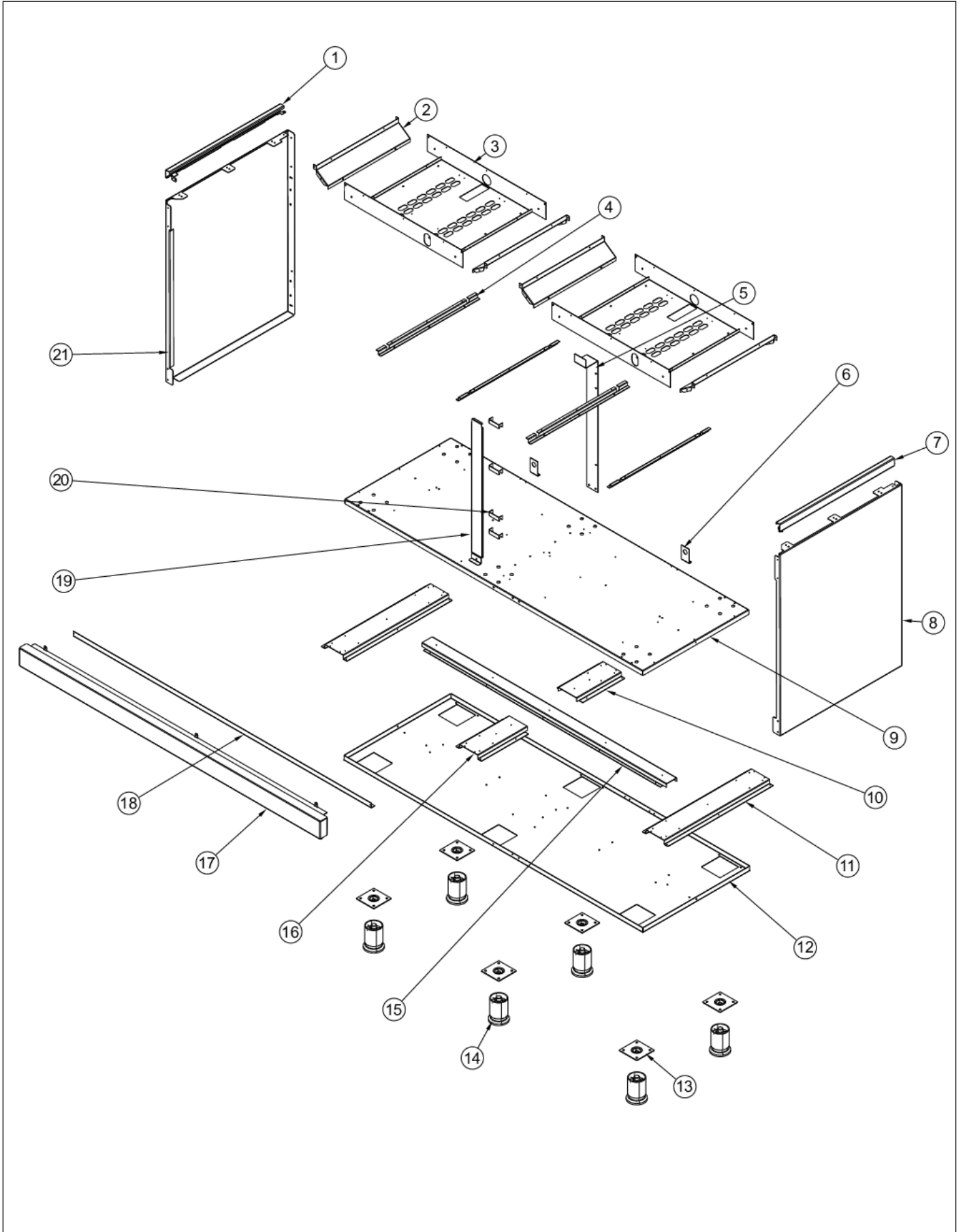
Item	Part No.	Name	Qty	Uom	NOTES
Not Shown	NOTE	(BEFORE 06/03/13)		EA	
8	042679-013	COVER, OS, RH CB	1	EA	
Not Shown	NOTE	(BETWEEN 06/03/13 - 02/15/16)		EA	
8	004645-015	SIDE PANEL, RH,-PL	1	EA	Not available online / Call for pricing and availability
Not Shown	NOTE	(BEFORE 06/03/13)		EA	
8	042679-015	COVER, OS, RH PL	1	EA	
Not Shown	NOTE	(BETWEEN 06/03/13 - 02/15/16)		EA	
8	004645-016	SIDE PANEL, RH,-CH	1	EA	
Not Shown	NOTE	(BEFORE 06/03/13)		EA	
8	042679-016	COVER, OS, RH CH	1	EA	
Not Shown	NOTE	(BETWEEN 06/03/13 - 02/15/16)		EA	
8	004645-017	SIDE PANEL, RH,-TP	1	EA	
Not Shown	NOTE	(BEFORE 06/03/13)		EA	
8	042679-017	COVER, OS, RH TP	1	EA	
Not Shown	NOTE	(BETWEEN 06/03/13 - 02/15/16)		EA	
8	004645-018	SIDE PANEL, RH,-CW - NLA	1	EA	
Not Shown	NOTE	(BEFORE 06/03/13)		EA	
8	042679-018	COVER, OS, RH CW	1	EA	
Not Shown	NOTE	(BETWEEN 06/03/13 - 02/15/16)		EA	
8	004645-019	SIDE PANEL, RH,-OG	1	EA	
Not Shown	NOTE	(BEFORE 06/03/13)		EA	
8	042679-019	COVER, OS, RH OG	1	EA	
Not Shown	NOTE	(BETWEEN 06/03/13 - 02/15/16)		EA	
8	004645-020	SIDE PANEL, RH,-GM	1	EA	
Not Shown	NOTE	(BEFORE 06/03/13)		EA	



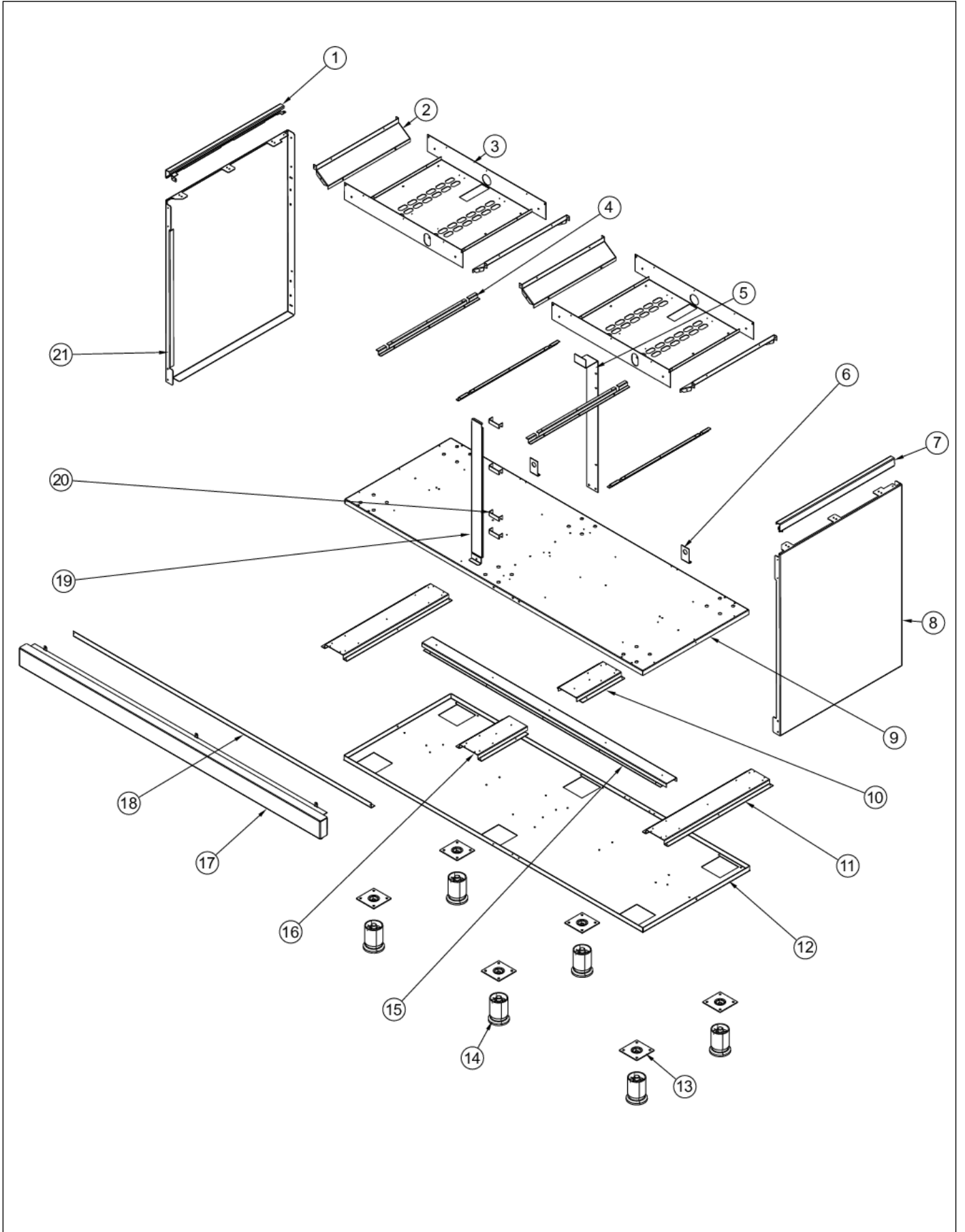
Item	Part No.	Name	Qty	Uom	NOTES
8	042679-020	COVER, OS, RH GM	1	EA	
Not Shown	NOTE	(BETWEEN 06/03/13 - 02/15/16)		EA	
8	004645-021	SIDE PANEL, RH,-SA	1	EA	
Not Shown	NOTE	(BEFORE 06/03/13)		EA	
8	042679-021	COVER, OS, RH SA	1	EA	
Not Shown	NOTE	(BETWEEN 06/03/13 - 02/15/16)		EA	
8	004645-022	SIDE PANEL, RH,-SE	1	EA	Not available online / Call for pricing and availability
Not Shown	NOTE	(BEFORE 06/03/13)		EA	
8	042679-022	COVER, OS, RH SE	1	EA	
Not Shown	NOTE	(BETWEEN 06/03/13 - 02/15/16)		EA	
8	004645-023	SIDE PANEL, RH,-IB	1	EA	
Not Shown	NOTE	(BEFORE 06/03/13)		EA	
8	042679-023	COVER, OS, RG IB	1	EA	
Not Shown	NOTE	(BETWEEN 06/03/13 - 02/15/16)		EA	
8	004645-024	SIDE PANEL, RH,-AR	1	EA	
Not Shown	NOTE	(BEFORE 06/03/13)		EA	
8	042679-024	COVER, OS, RH AR	1	EA	
Not Shown	NOTE	(BETWEEN 06/03/13 - 02/15/16)		EA	
8	004645-025	SIDE PANEL RH - RR	1	EA	Not available online / Call for pricing and availability
Not Shown	NOTE	(BEFORE 06/03/13)		EA	
8	042679-025	COVER, OS, RH RR	1	EA	
Not Shown	NOTE	(BETWEEN 06/03/13 - 02/15/16)		EA	
8	004645-026	SIDE PANEL, RH,-PM	1	EA	
Not Shown	NOTE	(BEFORE 06/03/13)		EA	



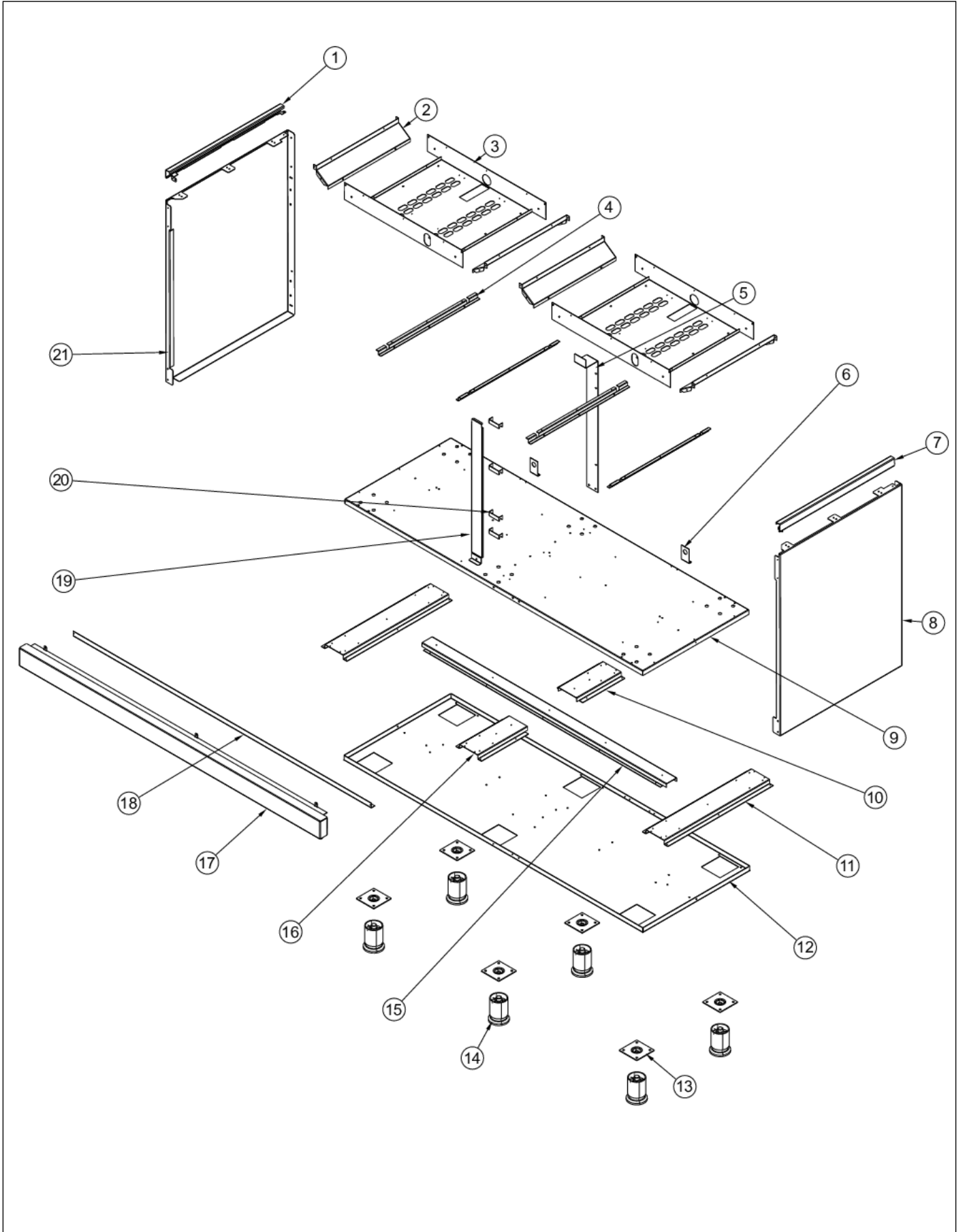
Item	Part No.	Name	Qty	Uom	NOTES
8	042679-026	COVER, OS, RH PM	1	EA	
Not Shown	NOTE	(BETWEEN 06/03/13 - 02/15/16)		EA	
8	004645-027	SIDE PANEL, RH,-MS	1	EA	
Not Shown	NOTE	(BEFORE 06/03/13)		EA	
8	042679-027	COVER, OS, RH MS	1	EA	
Not Shown	NOTE	(BETWEEN 06/03/13 - 02/15/16)		EA	
9	014602-000	BASE, PANEL, TOP 60"	1	EA	
10	006413-000	SUPPORT BASE, REAR, VDSC560	1	EA	
11	003053-000	BASE LEG SUPPORT CHANNEL	2	EA	
12	014601-000	BASE	1	EA	
13	PC030007	LEG PLATE - 3/4" THREADED HOLE	6	EA	
14	044178-000	RANGE, LEG, ADJUSTABLE	6	EA	
15	006411-000	SUPPORT BASE, VDSC560	1	EA	
16	006412-000	SUPPORT BASE, FR VDSC560	1	EA	
17	014698-000	KICKPLATE, 60, GAS SST	1	EA	
Not Shown	NOTE	(BEFORE 06/14/13)		EA	
17	038431-000	KICKPLATE, 60", GAS, SST	1	EA	
Not Shown	NOTE	(ON OR AFTER 06/14/13)		EA	
17	015420-002	KICKPLATE, 60", GAS BK	1	EA	
Not Shown	NOTE	(BEFORE 06/14/13)		EA	
17	038437-002	KICKPLATE, 60", GAS, DCBZ BK	1	EA	
Not Shown	NOTE	(ON OR AFTER 06/14/13)		EA	
17	015420-003	KICKPLATE, 60", GAS BT	1	EA	
Not Shown	NOTE	(BEFORE 06/14/13)		EA	
17	038437-003	KICKPLATE 60" BT	1	EA	
Not Shown	NOTE	(ON OR AFTER 06/14/13)		EA	
17	015420-004	KICKPLATE, 60", GAS SG	1	EA	



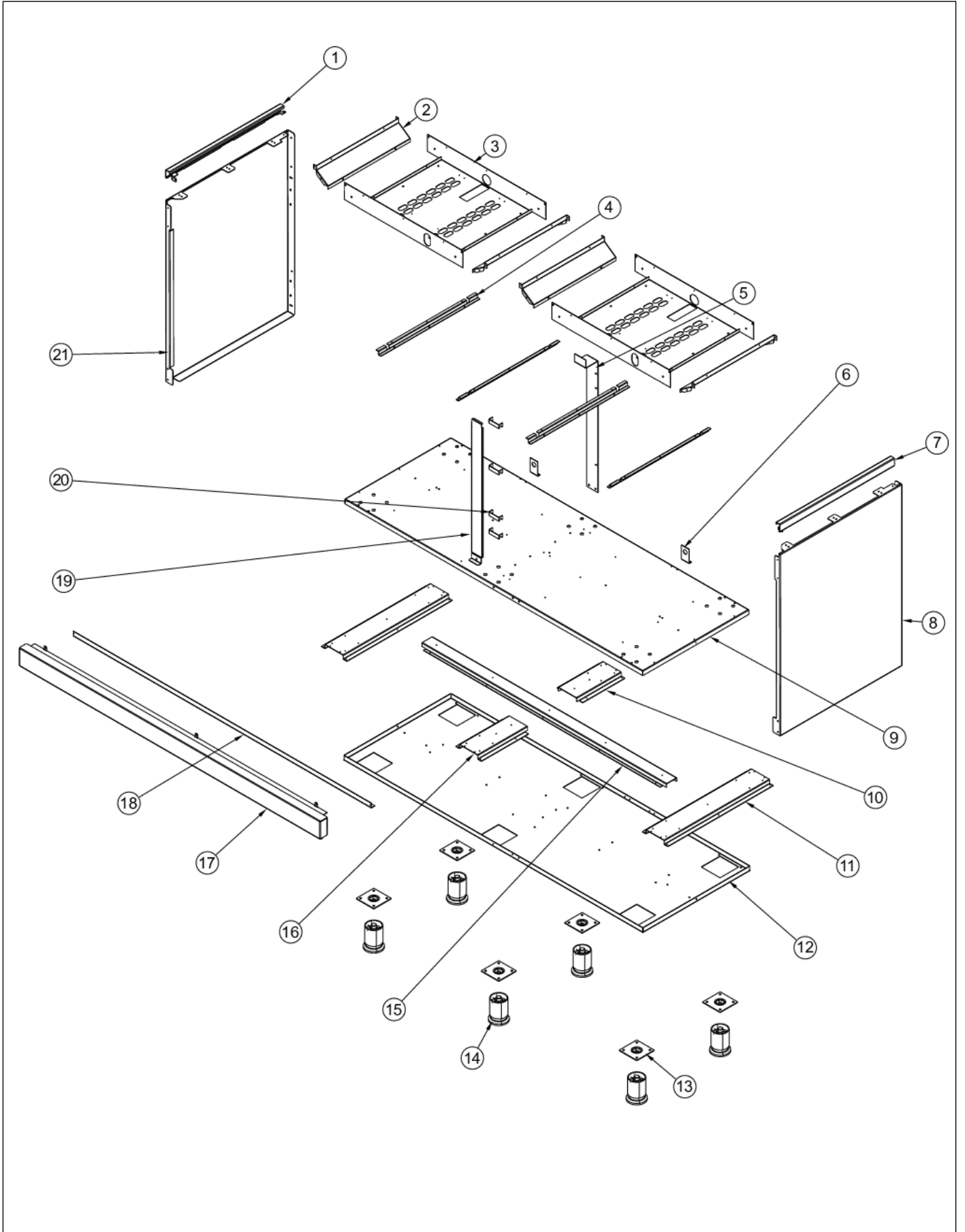
Item	Part No.	Name	Qty	Uom	NOTES
Not Shown	NOTE	(BEFORE 06/14/13)		EA	
17	038437-004	KICKPLATE, 60" SG	1	EA	
Not Shown	NOTE	(ON OR AFTER 06/14/13)		EA	
17	015420-005	KICKPLATE, 60", GAS GG	1	EA	Not available online / Call for pricing and availability
Not Shown	NOTE	(BEFORE 06/14/13)		EA	
17	038437-005	KICKPLATE, 60", GAS, DCBZ GG	1	EA	
Not Shown	NOTE	(ON OR AFTER 06/14/13)		EA	
17	015420-006	KICKPLATE, 60", GAS WH	1	EA	
Not Shown	NOTE	(BEFORE 06/14/13)		EA	
17	038437-006	KICKPLATE, 60", GAS, DCBZ WH	1	EA	
Not Shown	NOTE	(ON OR AFTER 06/14/13)		EA	
17	015420-008	KICKPLATE, 60", GAS BU	1	EA	
Not Shown	NOTE	(BEFORE 06/14/13)		EA	
17	038437-008	KICKPLATE, 60", GAS, DCBZ BU	1	EA	
Not Shown	NOTE	(ON OR AFTER 06/14/13)		EA	
17	015420-009	KICKPLATE, 60", GAS LE	1	EA	
Not Shown	NOTE	(BEFORE 06/14/13)		EA	
17	038437-009	KICKPLATE 60" LE	1	EA	
Not Shown	NOTE	(ON OR AFTER 06/14/13)		EA	
17	015420-010	KICKPLATE, 60", GAS MJ	1	EA	
Not Shown	NOTE	(BEFORE 06/14/13)		EA	
17	038437-010	KICKPLATE 60" MJ	1	EA	
Not Shown	NOTE	(ON OR AFTER 06/14/13)		EA	
17	015420-012	KICKPLATE, 60", GAS VB	1	EA	



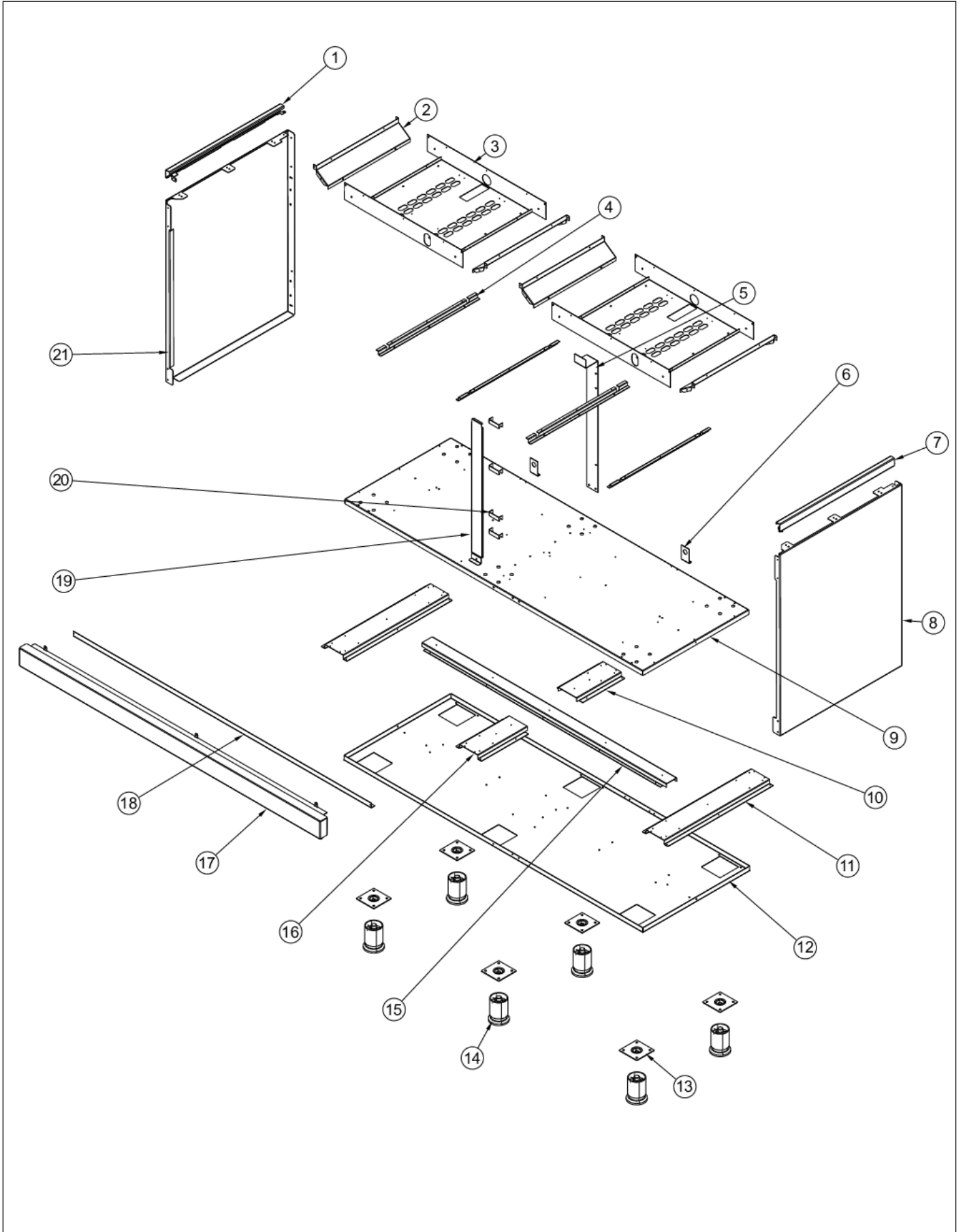
Item	Part No.	Name	Qty	Uom	NOTES
Not Shown	NOTE	(BEFORE 06/14/13)		EA	
17	038437-012	KICKPLATE 60" VB	1	EA	
Not Shown	NOTE	(ON OR AFTER 06/14/13)		EA	
17	015420-013	KICKPLATE, 60", GAS CB	1	EA	
Not Shown	NOTE	(BEFORE 06/14/13)		EA	
17	038437-013	KICKPLATE, 60", GAS, DCBZ CB	1	EA	
Not Shown	NOTE	(ON OR AFTER 06/14/13)		EA	
17	015420-015	KICKPLATE, 60", GAS PL	1	EA	
Not Shown	NOTE	(BEFORE 06/14/13)		EA	
17	038437-015	KICKPLATE 60" PL	1	EA	
Not Shown	NOTE	(ON OR AFTER 06/14/13)		EA	
17	015420-016	KICKPLATE, 60", GAS CH	1	EA	
Not Shown	NOTE	(BEFORE 06/14/13)		EA	
17	038437-016	KICKPLATE 60" CH	1	EA	
Not Shown	NOTE	(ON OR AFTER 06/14/13)		EA	
17	015420-017	KICKPLATE, 60", GAS TP	1	EA	
Not Shown	NOTE	(BEFORE 06/14/13)		EA	
17	038437-017	KICKPLATE 60" TP	1	EA	
Not Shown	NOTE	(ON OR AFTER 06/14/13)		EA	
17	015420-018	KICKPLATE, 60", GAS CW - NLA	1	EA	
Not Shown	NOTE	(BEFORE 06/14/13)		EA	
17	038437-018	KICKPLATE 60" CW	1	EA	
Not Shown	NOTE	(ON OR AFTER 06/14/13)		EA	
17	015420-019	KICKPLATE, 60", GAS OG	1	EA	
Not Shown	NOTE	(BEFORE 06/14/13)		EA	
17	038437-019	KICKPLATE 60" OG	1	EA	



Item	Part No.	Name	Qty	Uom	NOTES
Not Shown	NOTE	(ON OR AFTER 06/14/13)		EA	
17	015420-020	KICKPLATE, 60", GAS GM	1	EA	
Not Shown	NOTE	(BEFORE 06/14/13)		EA	
17	038437-020	KICKPLATE 60" GM	1	EA	
Not Shown	NOTE	(ON OR AFTER 06/14/13)		EA	
17	015420-021	KICKPLATE, 60", GAS SA	1	EA	
Not Shown	NOTE	(BEFORE 06/14/13)		EA	
17	038437-021	KICKPLATE 60" SA	1	EA	
Not Shown	NOTE	(ON OR AFTER 06/14/13)		EA	
17	015420-022	KICKPLATE, 60", GAS SE	1	EA	
Not Shown	NOTE	(BEFORE 06/14/13)		EA	
17	038437-022	KICKPLATE 60" SE	1	EA	
Not Shown	NOTE	(ON OR AFTER 06/14/13)		EA	
17	015420-023	KICKPLATE, 60", GAS IB	1	EA	
Not Shown	NOTE	(BEFORE 06/14/13)		EA	
17	038437-023	KICKPLATE 60" IB	1	EA	
Not Shown	NOTE	(ON OR AFTER 06/14/13)		EA	
17	015420-024	KICKPLATE, 60", GAS AR	1	EA	
Not Shown	NOTE	(BEFORE 06/14/13)		EA	
17	038437-024	KICKPLATE, 60", GAS, DCBZ AR	1	EA	
Not Shown	NOTE	(ON OR AFTER 06/14/13)		EA	
17	015420-025	KICKPLATE, 60", GAS RR	1	EA	
Not Shown	NOTE	(BEFORE 06/14/13)		EA	
17	038437-025	KICKPLATE 60" RR		EA	
Not Shown	NOTE	(ON OR AFTER 06/14/13)		EA	
17	015420-026	KICKPLATE, 60", GAS PM	1	EA	

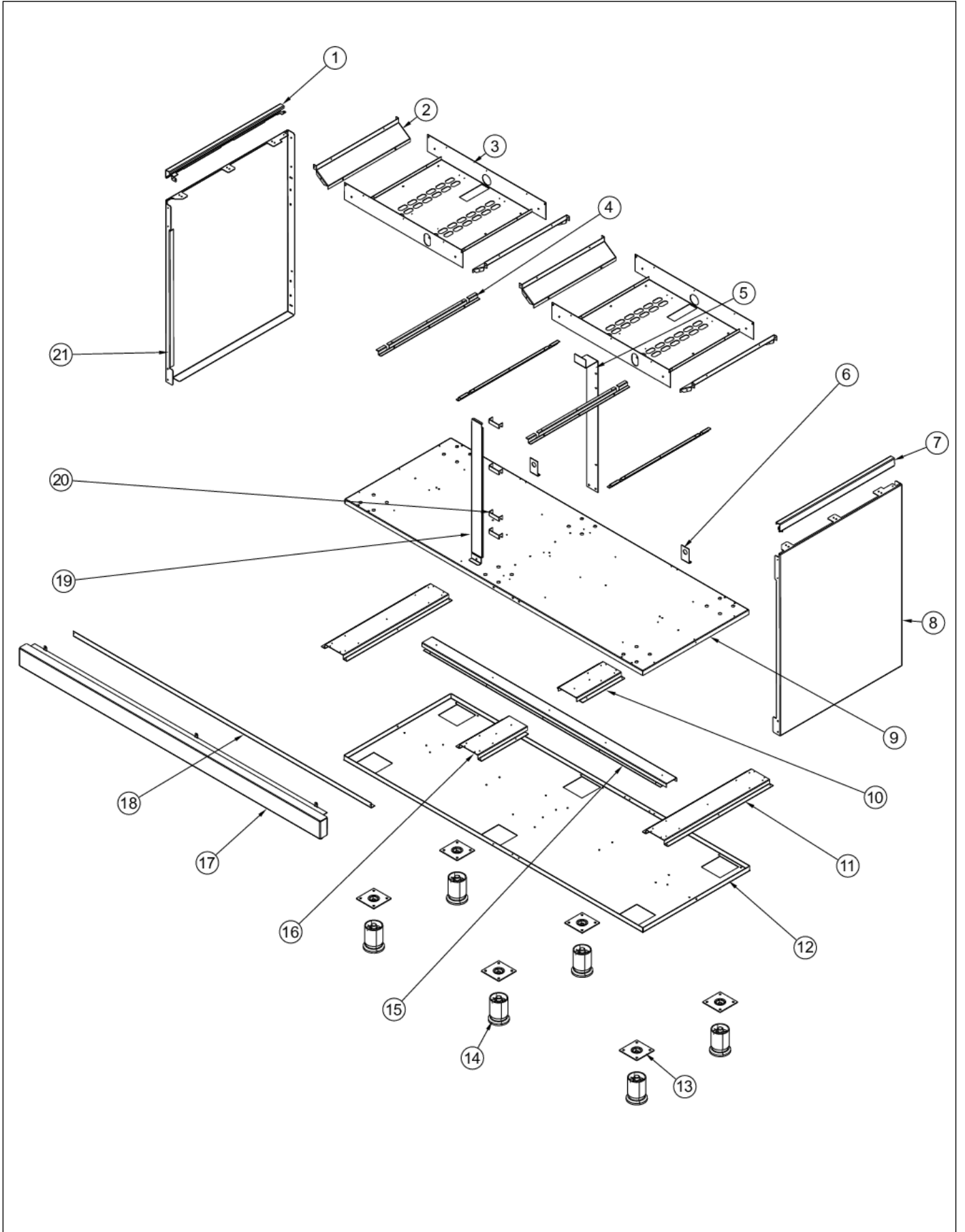


Item	Part No.	Name	Qty	Uom	NOTES
Not Shown	NOTE	(BEFORE 06/14/13)		EA	
17	038437-026	KICKPLATE 60" PM	1	EA	
Not Shown	NOTE	(ON OR AFTER 06/14/13)		EA	
17	015420-027	KICKPLATE, 60", GAS MS	1	EA	
Not Shown	NOTE	(BEFORE 06/14/13)		EA	
17	038437-027	KICKPLATE 60" MS	1	EA	
Not Shown	NOTE	(ON OR AFTER 06/14/13)		EA	
18	014696-000	SPACER, FRONT, 60"	1	EA	
19	008741-000	TRIM, CENTER, VGSC548	1	EA	
20	008231-000	BRACKET, HLDR, CENTER TRIM	4	EA	
21	003588-000	SIDE PANEL, LH	1	EA	
Not Shown	NOTE	(BEFORE 04/29/13)		EA	
21	042648-000	COVER, OS, LH	1	EA	
Not Shown	NOTE	(BETWEEN 04/29/13 - 02/15/16)		EA	
21	056872-000	PANEL, SIDE, LH	1	EA	
Not Shown	NOTE	(ON OR AFTER 02/15/16)		EA	
21	005505-002	SIDE PANEL, LH BK	1	EA	
Not Shown	NOTE	(BEFORE 06/03/13)		EA	
21	042678-002	COVER, OS, LH BK	1	EA	
Not Shown	NOTE	(BETWEEN 06/03/13 - 02/15/16)		EA	
21	005505-003	INSULATION, PNL, SIDE, LH - BT	1	EA	
Not Shown	NOTE	(BEFORE 06/03/13)		EA	
21	042678-003	COVER, OS, LH BT	1	EA	
Not Shown	NOTE	(BETWEEN 06/03/13 - 02/15/16)		EA	
21	005505-004	INSULATION, PNL, SIDE, LH - SG	1	EA	

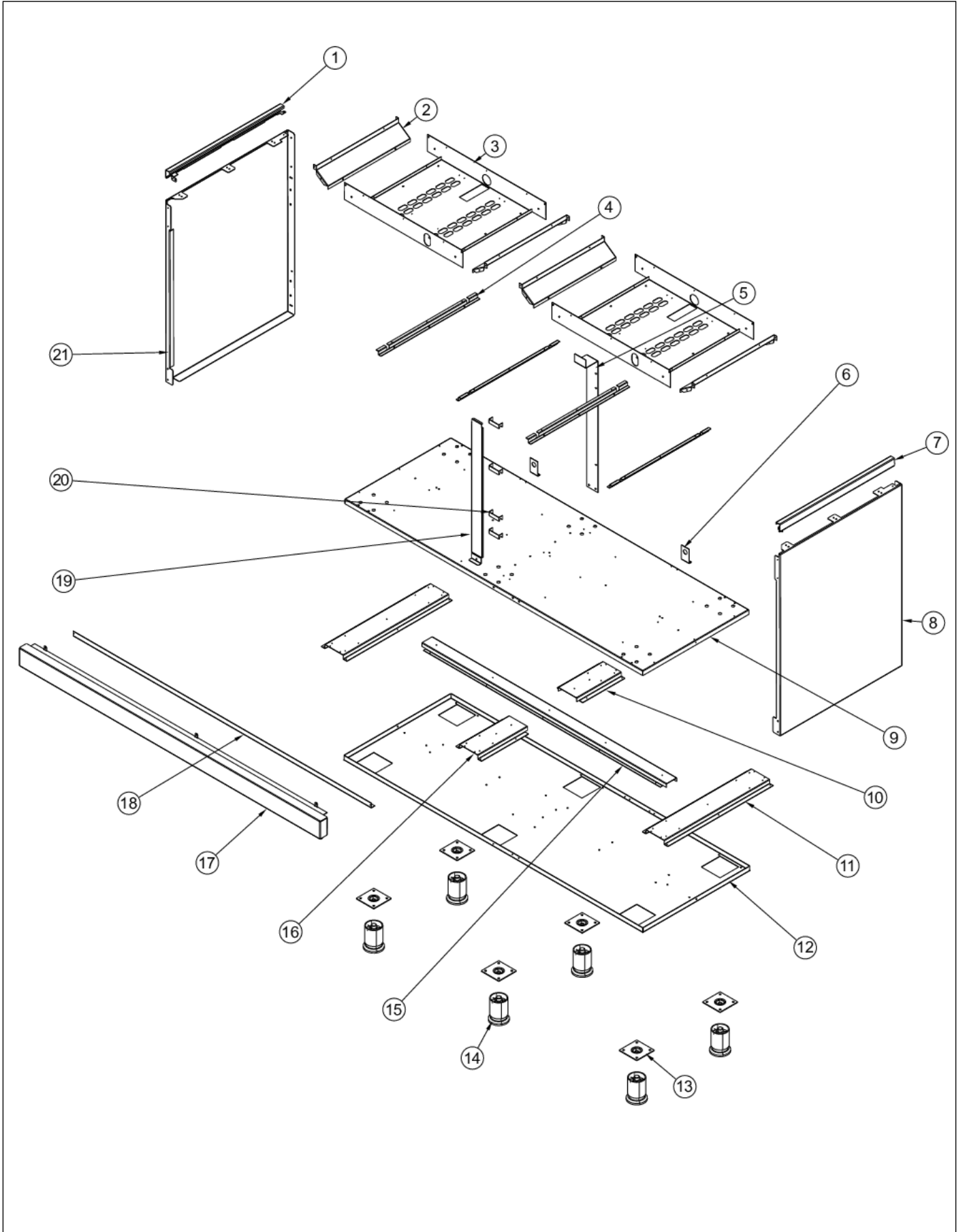




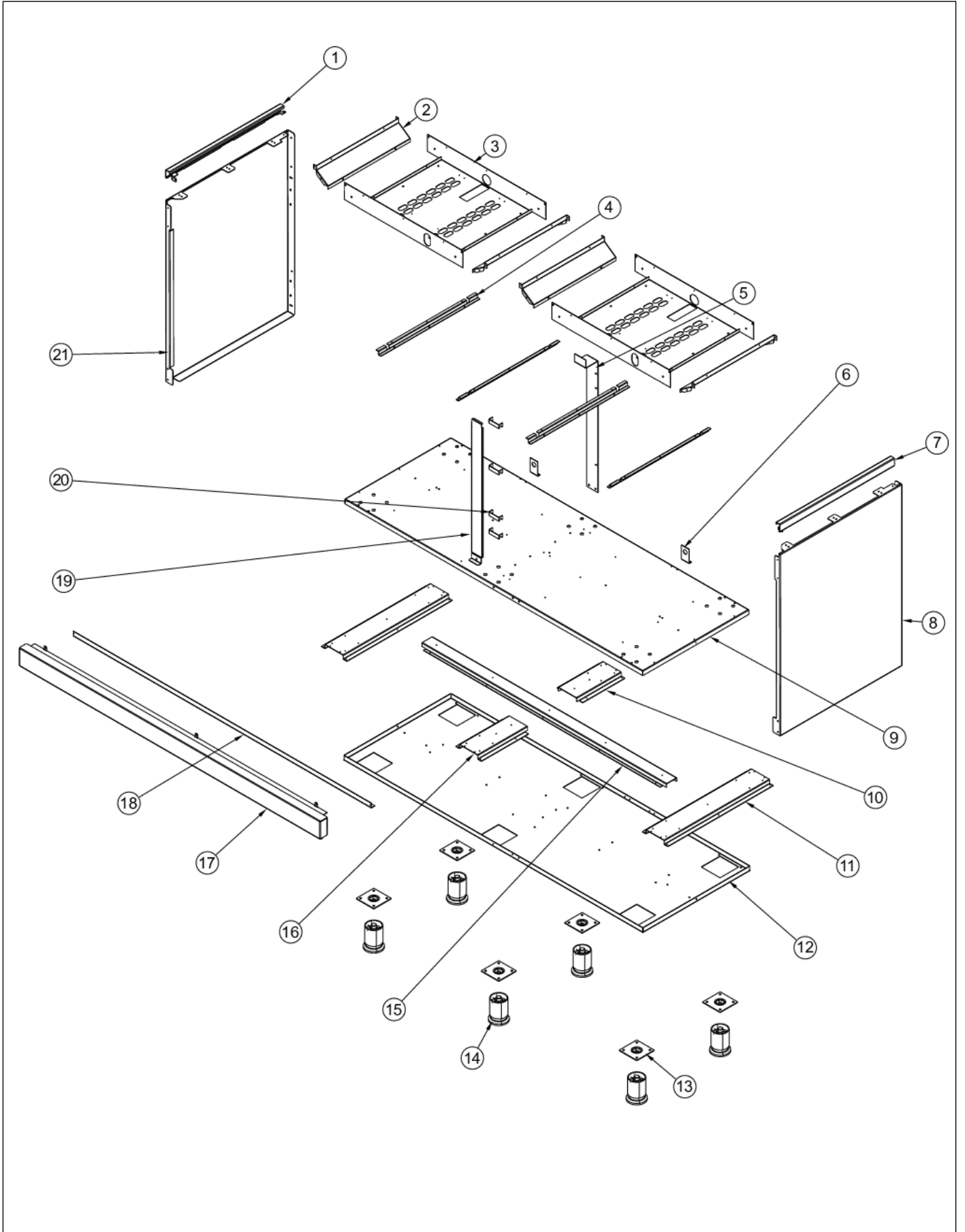
Item	Part No.	Name	Qty	Uom	NOTES
Not Shown	NOTE	(BEFORE 06/03/13)		EA	
21	042678-004	COVER, OS, LH SG	1	EA	
Not Shown	NOTE	(BETWEEN 06/03/13 - 02/15/16)		EA	
21	005505-005	INSULATION, PNL, SIDE, LH - GG	1	EA	Not available online / Call for pricing and availability
Not Shown	NOTE	(BEFORE 06/03/13)		EA	
21	042678-005	COVER, OS, LH GG	1	EA	
Not Shown	NOTE	(BETWEEN 06/03/13 - 02/15/16)		EA	
21	005505-006	INSULATION, PNL, SIDE, LH - WH	1	EA	
Not Shown	NOTE	(BEFORE 06/03/13)		EA	
21	042678-006	COVER, OS, LH WH	1	EA	
Not Shown	NOTE	(BETWEEN 06/03/13 - 02/15/16)		EA	
21	005505-008	INSULATION, PNL, SIDE, LH - BU	1	EA	
Not Shown	NOTE	(BEFORE 06/03/13)		EA	
21	042678-008	COVER, OS, LH BU	1	EA	
Not Shown	NOTE	(BETWEEN 06/03/13 - 02/15/16)		EA	
21	005505-009	INSULATION, PNL, SIDE, LH - LE	1	EA	
Not Shown	NOTE	(BEFORE 06/03/13)		EA	
21	042678-009	COVER, OS, LH LE	1	EA	
Not Shown	NOTE	(BETWEEN 06/03/13 - 02/15/16)		EA	
21	005505-010	INSULATION, PNL, SIDE, LH - MJ	1	EA	
Not Shown	NOTE	(BEFORE 06/03/13)		EA	
21	042678-010	COVER, OS, LH MJ	1	EA	
Not Shown	NOTE	(BETWEEN 06/03/13 - 02/15/16)		EA	



Item	Part No.	Name	Qty	Uom	NOTES
21	005505-012	INSULATION, PNL, SIDE, LH - VB	1	EA	
Not Shown	NOTE	(BEFORE 06/03/13)		EA	
21	042678-012	COVER, OS, LH VB	1	EA	
Not Shown	NOTE	(BETWEEN 06/03/13 - 02/15/16)		EA	
21	005505-013	INSULATION, PNL, SIDE, LH - CB	1	EA	
Not Shown	NOTE	(BEFORE 06/03/13)		EA	
21	042678-013	COVER, OS, LH EP	1	EA	
Not Shown	NOTE	(BETWEEN 06/03/13 - 02/15/16)		EA	
21	005505-015	INSULATION, PNL, SIDE, LH - PL	1	EA	
Not Shown	NOTE	(BEFORE 06/03/13)		EA	
21	042678-015	COVER, OS, LH PL	1	EA	
Not Shown	NOTE	(BETWEEN 06/03/13 - 02/15/16)		EA	
21	005505-016	INSULATION, PNL, SIDE, LH - CH	1	EA	
Not Shown	NOTE	(BEFORE 06/03/13)		EA	
21	042678-016	COVER, OS, LH CH	1	EA	
Not Shown	NOTE	(BETWEEN 06/03/13 - 02/15/16)		EA	
21	005505-017	INSULATION, PNL, SIDE, LH - TP	1	EA	
Not Shown	NOTE	(BEFORE 06/03/13)		EA	
21	042678-017	COVER, OS, LH TP	1	EA	
Not Shown	NOTE	(BETWEEN 06/03/13 - 02/15/16)		EA	
21	005505-018	INSULATION, PNL, SIDE, LH - CW - NLA	1	EA	
Not Shown	NOTE	(BEFORE 06/03/13)		EA	
21	042678-018	COVER, OS, LH CW	1	EA	
Not Shown	NOTE	(BETWEEN 06/03/13 - 02/15/16)		EA	



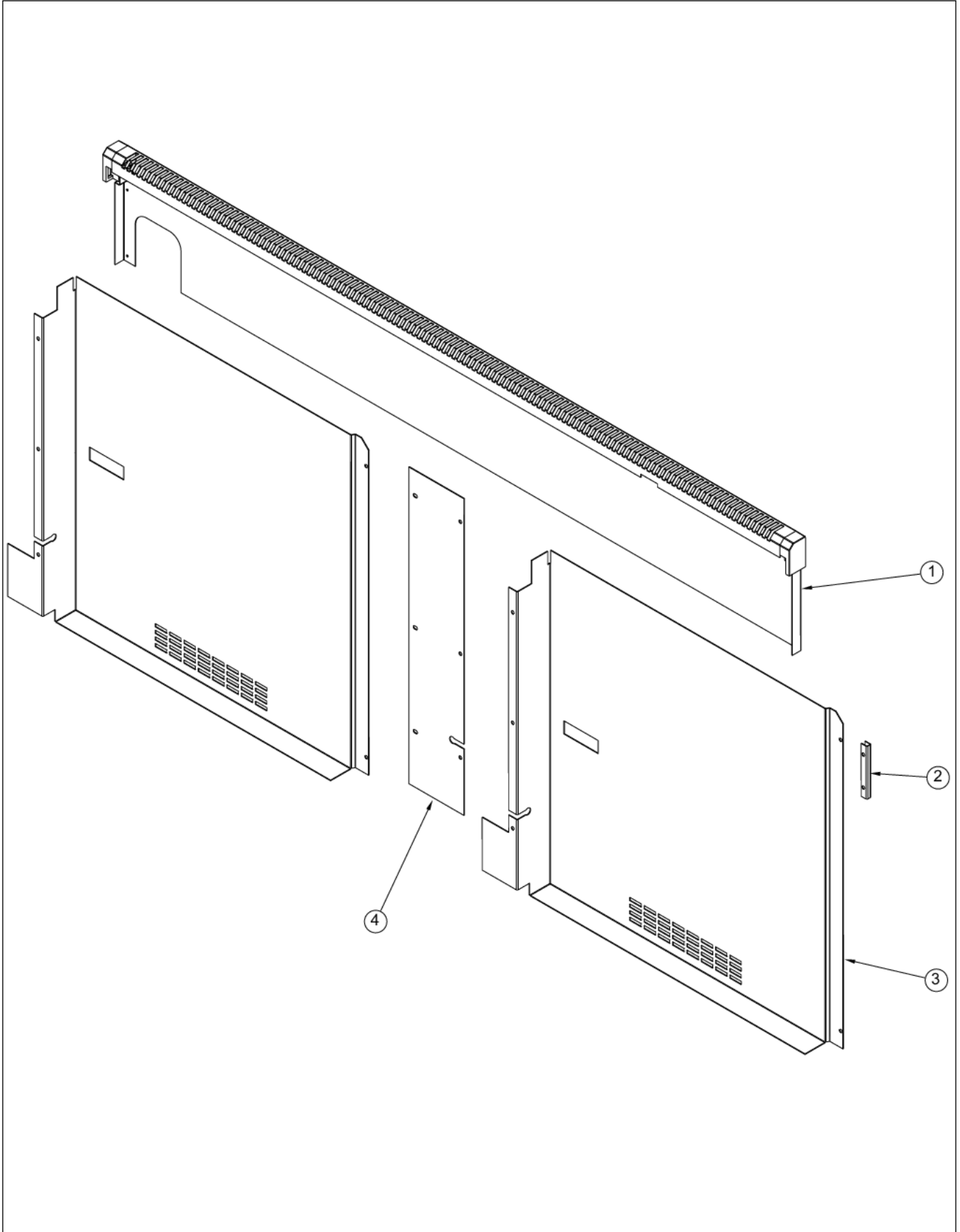
Item	Part No.	Name	Qty	Uom	NOTES
21	005505-019	INSULATION, PNL, SIDE, LH - OG	1	EA	
Not Shown	NOTE	(BEFORE 06/03/13)		EA	
21	042678-019	COVER, OS, LH OG	1	EA	
Not Shown	NOTE	(BETWEEN 06/03/13 - 02/15/16)		EA	
21	005505-020	INSULATION, PNL, SIDE, LH - GM	1	EA	
Not Shown	NOTE	(BEFORE 06/03/13)		EA	
21	042678-020	COVER, OS, LH GM	1	EA	
Not Shown	NOTE	(BETWEEN 06/03/13 - 02/15/16)		EA	
21	005505-021	INSULATION, PNL, SIDE, LH - SA	1	EA	
Not Shown	NOTE	(BEFORE 06/03/13)		EA	
21	042678-021	COVER, OS, LH SA	1	EA	
Not Shown	NOTE	(BETWEEN 06/03/13 - 02/15/16)		EA	
21	005505-022	INSULATION, PNL, SIDE, LH - SE	1	EA	
Not Shown	NOTE	(BEFORE 06/03/13)		EA	
21	042678-022	COVER, OS, LH SE	1	EA	
Not Shown	NOTE	(BETWEEN 06/03/13 - 02/15/16)		EA	
21	005505-023	INSULATION, PNL, SIDE, LH - IB	1	EA	
Not Shown	NOTE	(BEFORE 06/03/13)		EA	
21	042678-023	COVER, OS, LH IB	1	EA	
Not Shown	NOTE	(BETWEEN 06/03/13 - 02/15/16)		EA	
21	005505-024	INSULATION, PNL, SIDE, LH - AR	1	EA	
Not Shown	NOTE	(BEFORE 06/03/13)		EA	
21	042678-024	COVER, OS, LH AR	1	EA	
Not Shown	NOTE	(BETWEEN 06/03/13 - 02/15/16)		EA	





Item	Part No.	Name	Qty	Uom	NOTES
21	005505-025	SIDE PANEL LH - RR	1	EA	
Not Shown	NOTE	(BEFORE 06/03/13)		EA	
21	042678-025	COVER, OS, LH RR	1	EA	
Not Shown	NOTE	(BETWEEN 06/03/13 - 02/15/16)		EA	
21	005505-026	INSULATION, PNL, SIDE, LH - PM	1	EA	
Not Shown	NOTE	(BEFORE 06/03/13)		EA	
21	042678-026	COVER, OS, LH PM	1	EA	
Not Shown	NOTE	(BETWEEN 06/03/13 - 02/15/16)		EA	
21	005505-027	INSULATION, PNL, SIDE, LH - MS	1	EA	
Not Shown	NOTE	(BEFORE 06/03/13)		EA	
21	042678-027	COVER, OS, LH MS	1	EA	
Not Shown	NOTE	(BETWEEN 06/03/13 - 02/15/16)		EA	
NI	003801-000	SHOULDER SCREW, #10	2	EA	
NI	004021-000	SUPPORT, TRIM, SIDE	4	EA	
NI	051021-000	BRACKET, SUPPORT, TRIM, PRO	2	EA	

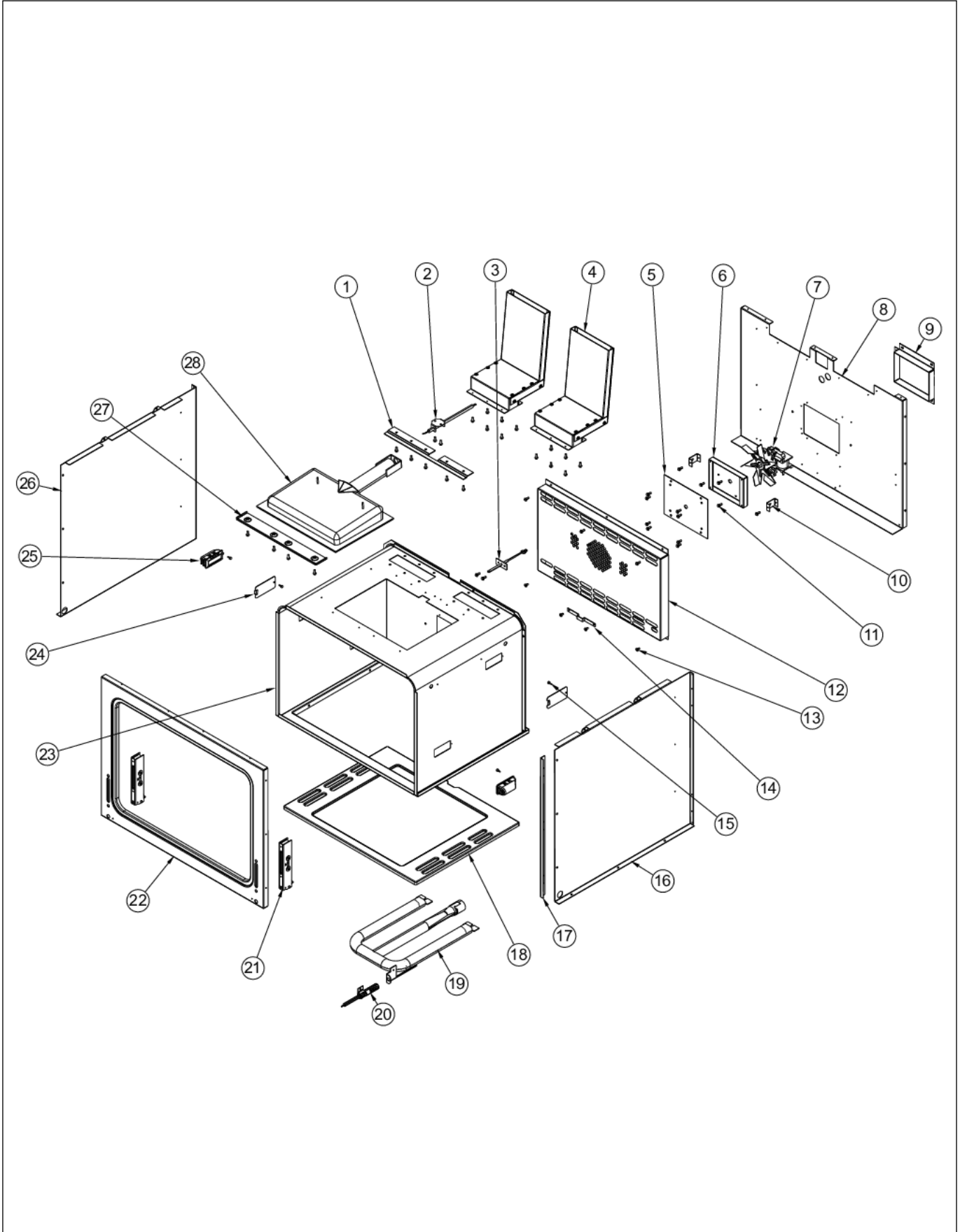
REAR SHEET METAL





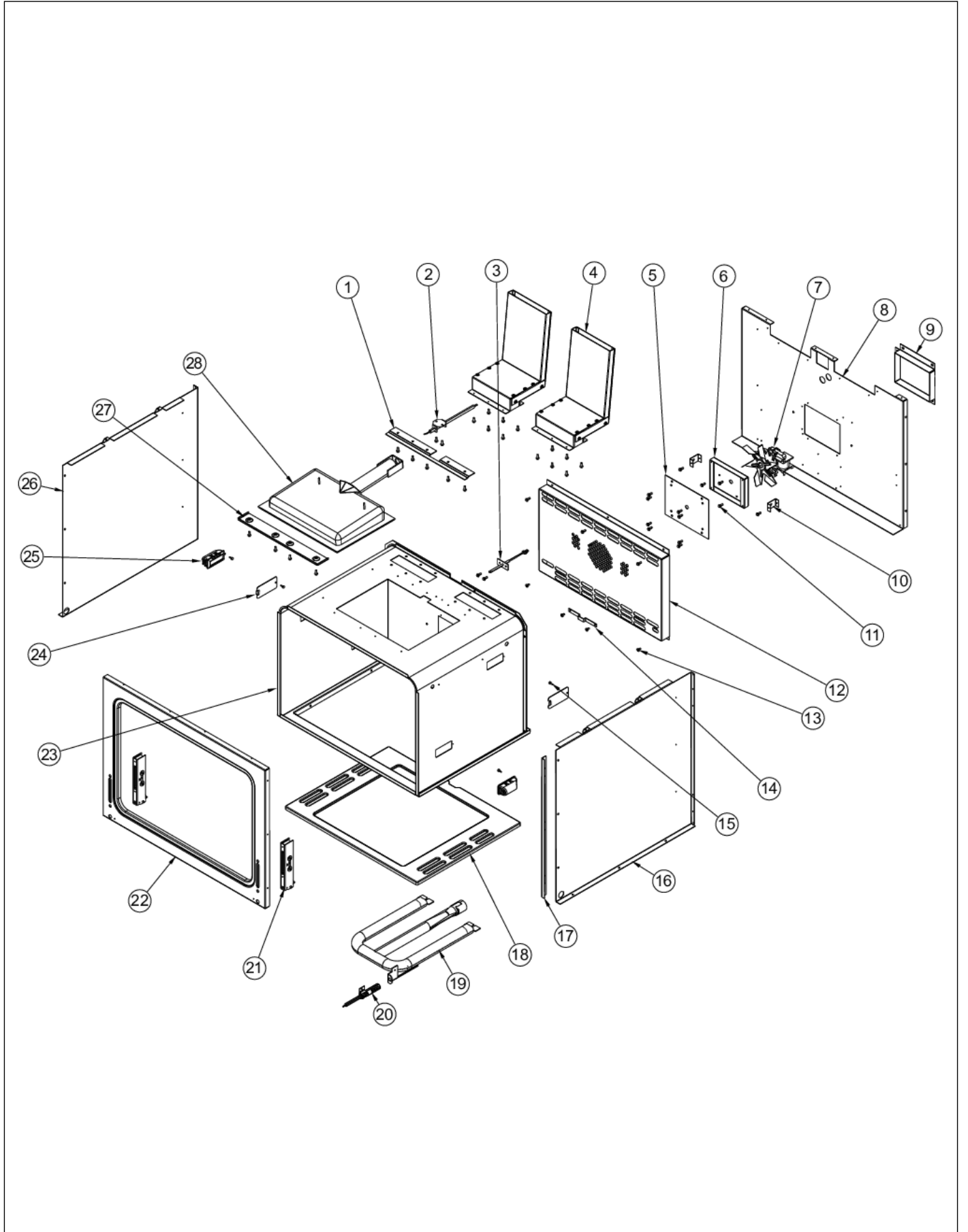
Item	Part No.	Name	Qty	Uom	NOTES
1	014589-000	ISLAND TRIM, ASM CUSTOM RANGE 60	1	EA	
2	006744-000	STANDOFF, CAB, VGSC	1	EA	Not available online / Call for pricing and availability
3	032157-000	PANEL, OUTER, 30"	2	EA	
4	016540-000	SHIELD, HEAT, BACK 560 GAS	1	EA	
NI	A2002654	ANTI-TIP DEVICE (VDSC)	1	EA	
NI	034927-000	BRACKET, ANTI-TIP	1	EA	
NI	034928-000	BRACKET, HOOK, ANTI-TIP	1	EA	

RH CAVITY INTERIOR





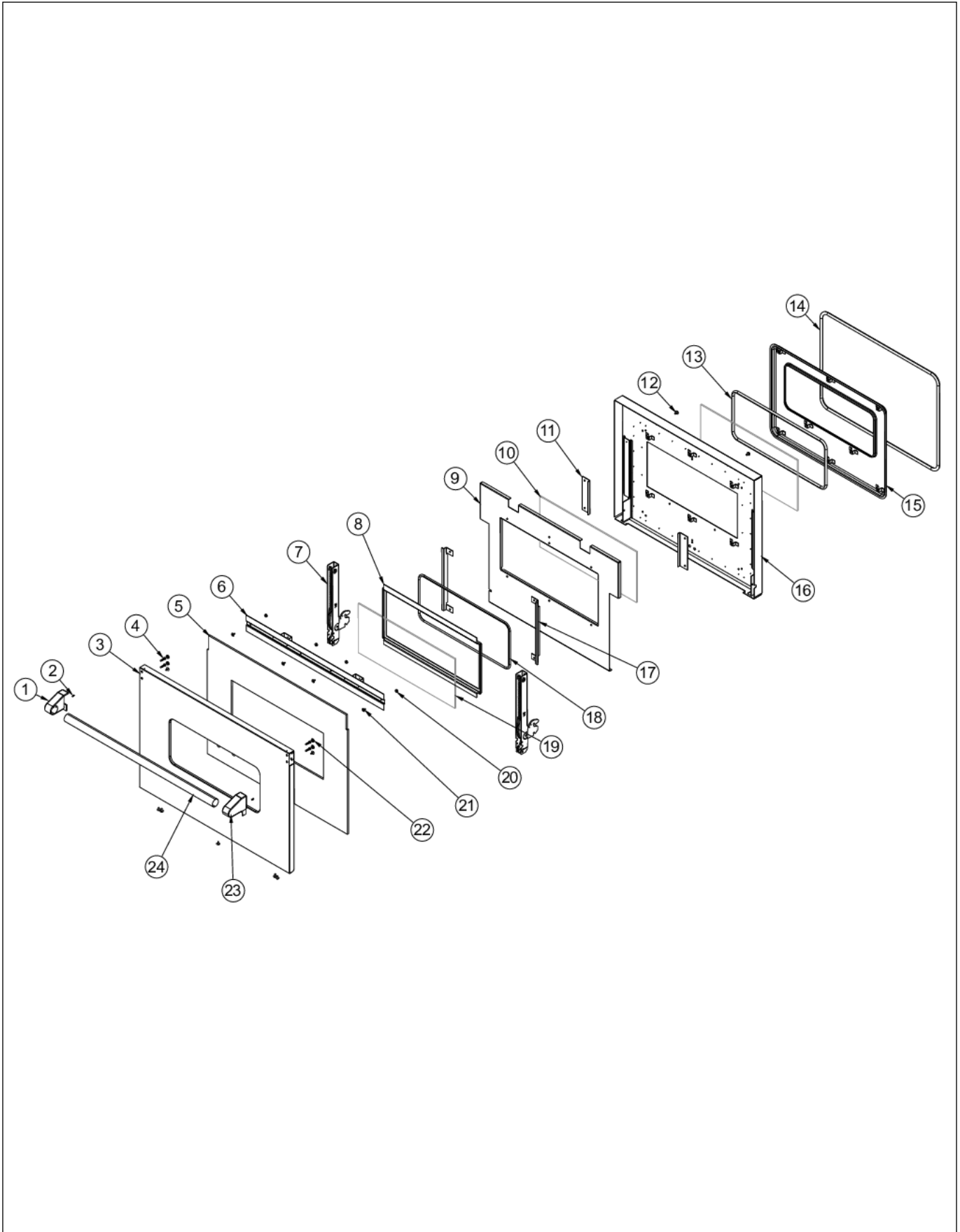
Item	Part No.	Name	Qty	Uom	NOTES
1	B2005589	REAR BROILER BRACKET	1	EA	Not available online / Call for pricing and availability
2	PB040171	BROIL IGNITION ELECTRODE	1	EA	
3	PE050206	RTD THERMOSTAT PROBE	1	EA	
4	006192-000	VENT, ASM, OVEN ASSEMBLY	2	EA	
5	A1002596	CONVECTION FAN COVER (VDSC)	1	EA	
6	A2002595	CONVECTION FAN BOX (VDSC)	1	EA	
7	PE050057	CONVECTION FAN (VGSC306)	1	EA	
8	020404-000	FLAT PANEL	1	EA	
9	A2008467	INSULATION SHIELD	1	EA	
10	A2001361	BACK SPACER (VGSC/VGSS)	2	EA	
11	PD020048	NO.10 X 1/2 TEK 410 SS SCREW	41	EA	
12	G9104482	CONVECTION FAN COVER ASSY (VGSC306)	1	EA	
Not Shown	NOTE	(BEFORE 09/20/10)		EA	
12	021225-000	COVER, CNVN, ASM	1	EA	
Not Shown	NOTE	(BETWEEN 09/20/10 THRU 1/25/12)		EA	
12	021225-403	COVER, CNVN, ASM, GY PORC	1	EA	
Not Shown	NOTE	(BETWEEN 01/25/12 THRU 12/20/12)		EA	
12	021225-402	COVER, CNVN, ASM, BK PORC	1	EA	
Not Shown	NOTE	(BETWEEN 12/20/12 THRU 11/30/17)		EA	
12	013580-402	CONV COVER W/BK PORC	1	EA	
Not Shown	NOTE	(ON OR AFTER 11/30/17)		EA	
13	M0210443	SCREW-E SM VM0210443	4	EA	
14	A2004428	REAR BOTTOM BRCKT (VGSC306)	1	EA	
15	PD020067	#6 X 3/8" PAN PHIL. TEK *SS*	4	EA	
16	004479-000	INSULATION, PNL, SIDE, RH	1	EA	
17	005536-000	TRIM	1	EA	





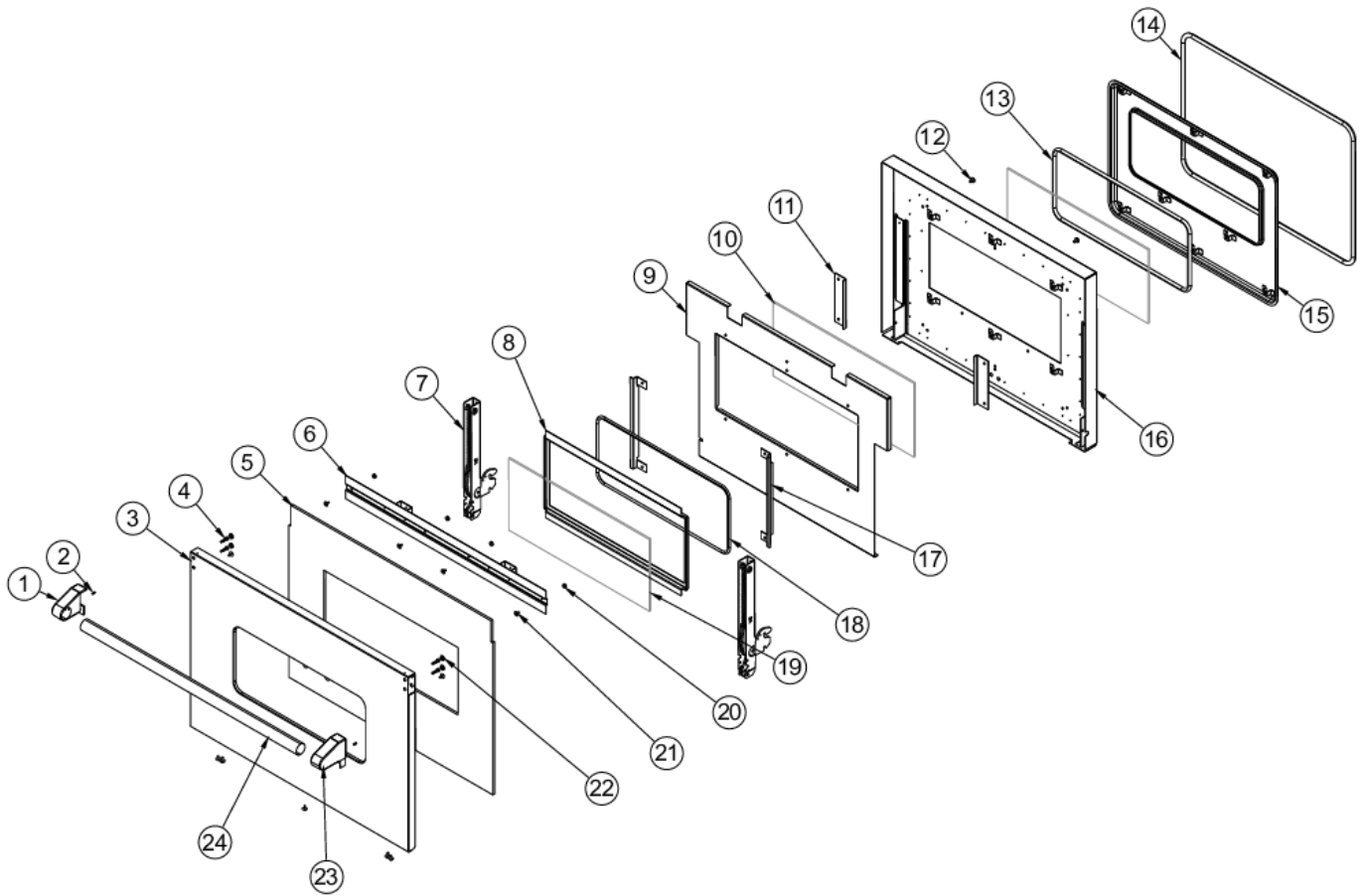
Item	Part No.	Name	Qty	Uom	NOTES
18	068456-000	ASM, BOTTOM, CAVITY, OVEN, GAS, 30", GRAY	1	EA	
Not Shown	NOTE	(INCLUDES HEAT SHIELD)	1	EA	
19	005329-000	BURNER, OVEN, ASM	1	EA	
20	PB040170	BAKE IGNITION ELECTRODE	1	EA	
21	031679-000	RECEPTACLE, HINGE	2	EA	
22	005373-000	30" FRONT FRAME WELD ASSY	1	EA	
23	UNSERVICEABLE	OVEN CAVITY WELD	1	EA	
24	E91012614	LIGHT HOLE COVER	2	EA	
25	005311-000	LAMP, OVEN, 120V/25W	2	EA	
26	004482-000	INSULATION, PNL, SIDE, LH	1	EA	
27	B2001448	IR BROIL SUPT (FRONT)	1	EA	
28	G3001876	IR BURNER ASSY (VGSC/RC) N/S	1	EA	
NI	PB060030	RACK SUPT REPL PB060010	2	EA	
Not Shown	NOTE	BEFORE 12/20/12		EA	
NI	066225-402	SUPPORT, RACK D3	2	EA	
Not Shown	NOTE	ON OR AFTER 12/20/12		EA	
NI	PB060044	OVEN RK VDSC30/48RH REPL PB060019	3	EA	
Not Shown	NOTE	BEFORE 12/20/12		EA	
NI	040863-000	RACK, PRO, 30"	1	EA	
Not Shown	NOTE	ON OR AFTER 12/20/12		EA	
NI	040345-000	RACK, GLDE, 30", PRO ASSY	2	EA	
Not Shown	NOTE	ON OR AFTER 12/20/12		EA	
NI	007278-000	ARM HINGE CLIP	2	EA	
Not Shown	NOTE	(BEFORE 01/02/13)		EA	
NI	049718-402	CLIP, RETAINER, HINGE, GLOSS BLACK ENAMEL	2	EA	
Not Shown	NOTE	(AFTER 01/02/13)		EA	

RH DOOR ASSEMBLY



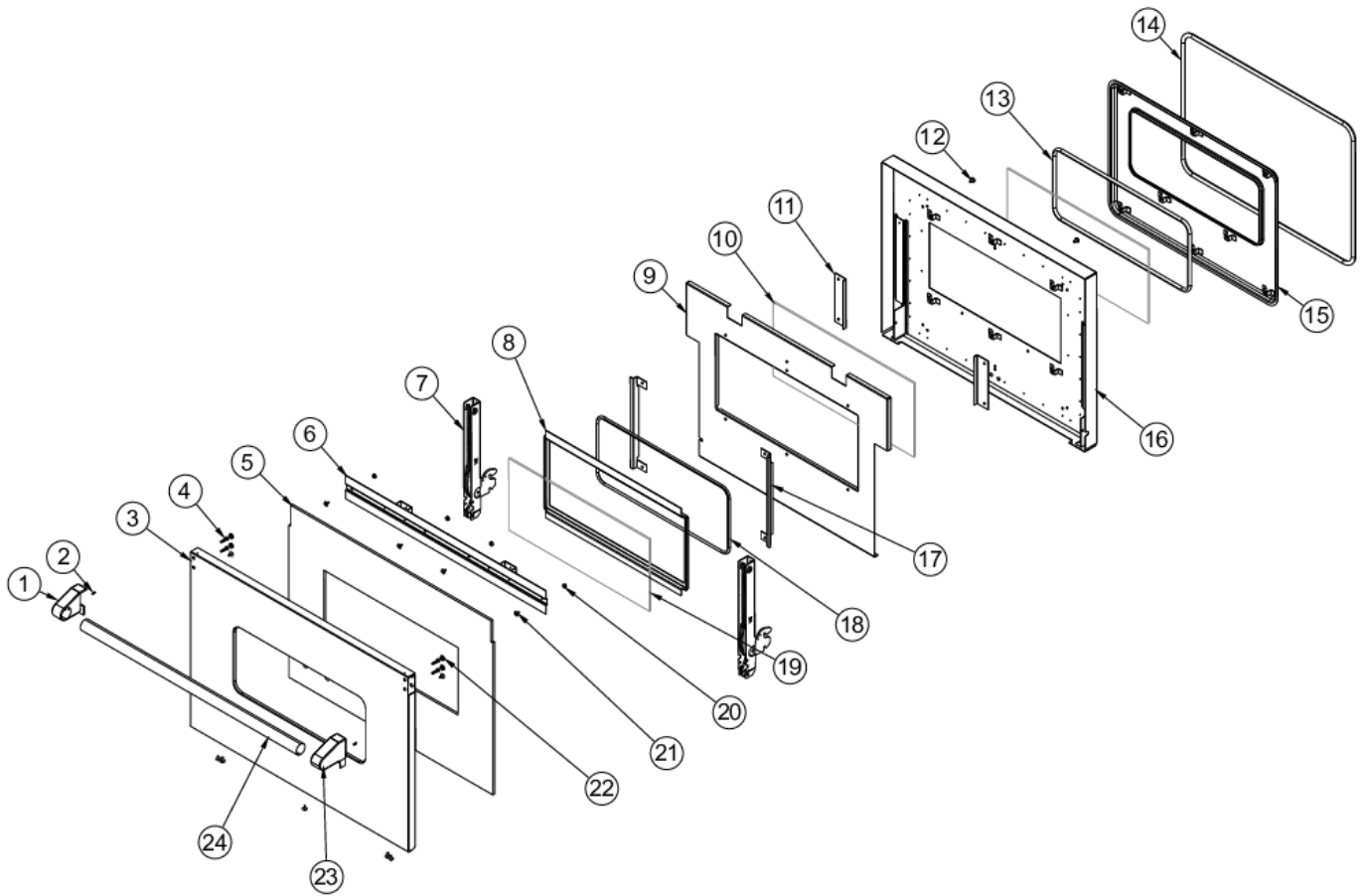


Item	Part No.	Name	Qty	Uom	NOTES
1	003011-000	DOOR HANDLE ENDCAP ASSY, LH (CHROME)	1	EA	
1	003011-100	DOOR HANDLE ENDCAP ASSY, LH (BRASS)	1	EA	
2	003650-000	SET SCREW	2	EA	
3	008183-000	PANEL, DOOR 30" W/NO LOGO, SS	1	EA	
4	030823-000	#10-32 PAN HEAD PHILLIPS MACHINE SCREW	4	EA	
5	004685-000	INSULATION, DOOR, PANEL	1	EA	
6	006553-000	DOOR BRACKET, WELD ASSY	1	EA	
7	002740-000	DOOR HINGE	2	EA	See TC-0121-SP Service Bulletin
8	008097-000	FRAME, GLASS, ALUMINUM	1	EA	
9	004688-000	DOOR PANEL INSULATION LINER	1	EA	
10	PE060039	GLASS-HEAT TREATED (HB2) VDSC	2	EA	
11	A2002189	DOOR GLASS STANDOFF (VDSC)	2	EA	
12	PD020033	SRW-NO.10-24X1/2T(23)PH.WFR HD (NKL)	4	EA	
13	000594-000	BLACK FIBERGLASS ROPE 3/8	1	EA	
14	000042-000	30" DOOR GASKET	1	EA	
15	001142-000	PLUG, DOOR, ASM, PORCELAIN	1	EA	
<p>Comments for Part Num. 001142-000</p> <p>bradleysapplianceservice@shaw.ca on Nov 2, 2015</p> <p>001142-000 PLUG, DOOR, ASM, PORCELAIN (GREY WITH WHITE SPECS) OLD STYLE</p> <p>001142-402 PLUG, DOOR, ASM, PORCELAIN BK (BLACK LINER) NEW STYLE</p>					
Not Shown	NOTE	(BEFORE 12/20/12)		EA	
15	001142-402	PLUG, DOOR, ASM, PORCELAIN BK	1	EA	
Not Shown	NOTE	(ON OR AFTER 12/20/12)		EA	
16	004691-000	DOOR LINER ASSY	1	EA	

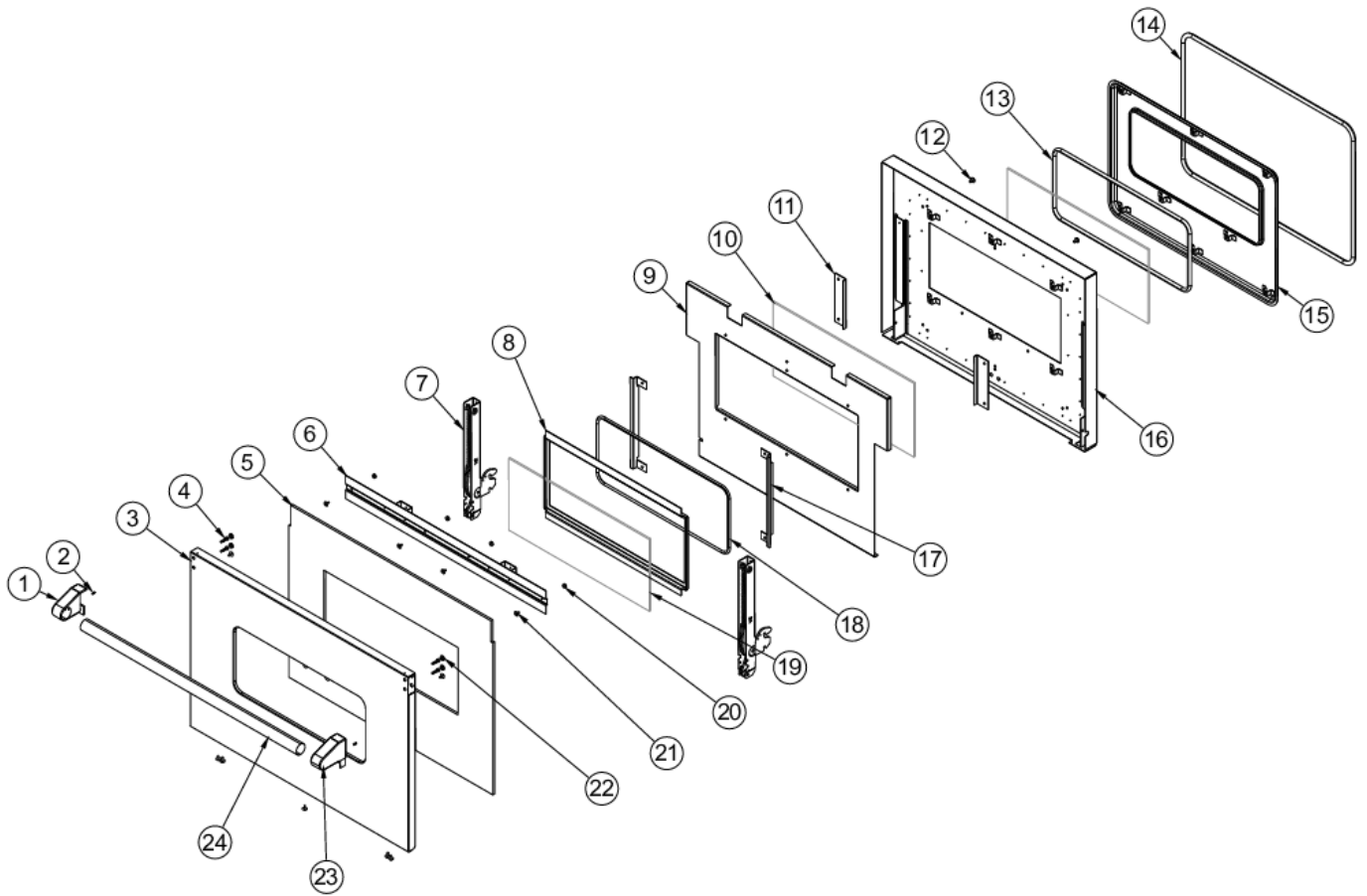




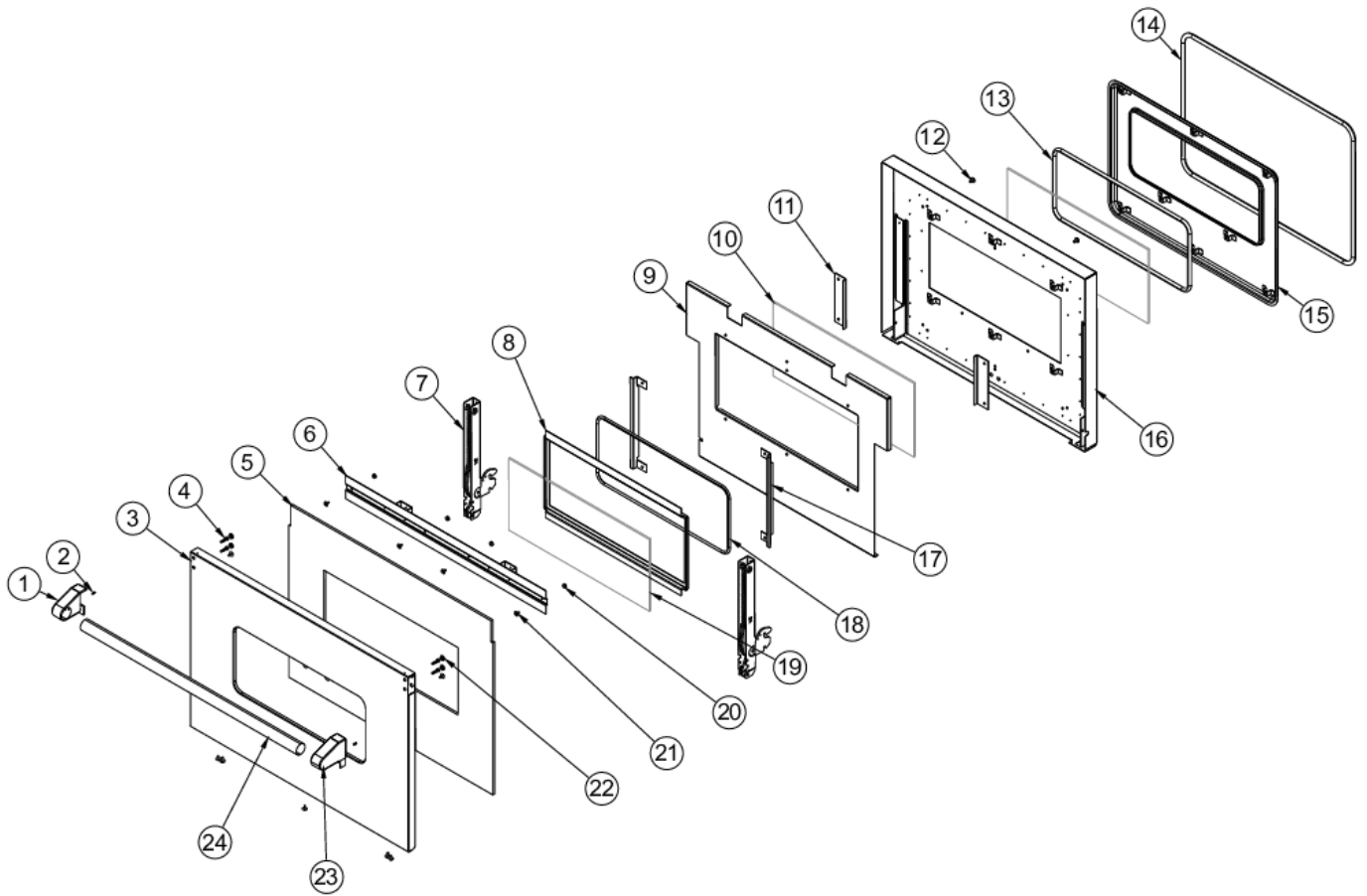
Item	Part No.	Name	Qty	Uom	NOTES
Comments for Part Num. 004691-000					
profixappliances@gmail.com on Dec 29, 2017					
004691-000 IS SPECKLED FINISH, FOR ALL BLACK FINISH ORDER 004691-402.					
Not Shown	NOTE	(BEFORE 12/20/12)		EA	
16	004691-402	LINER, DOOR ASM, BK PORC	1	EA	
Not Shown	NOTE	(ON OR AFTER 12/20/12)		EA	
17	007583-000	BRACKET, GLASS	2	EA	
18	PE060031	J-MOLD (LARGE WINDOW)	1	EA	
19	PE060030	OUTER DOOR GLASS	1	EA	
20	PD030010	#10-24 KEPS NUT ZINC PLATED	4	EA	
21	PD020073	SRW NO.10 X 24 X 3/8 WAFER HD TYPE23	9	EA	
22	004907-000	STEEL FINISHING PLUG, NICKEL PLTD 25/64" HOLE	4	EA	
23	003012-000	DOOR HANDLE ENDCAP ASSY, RH (CHROME)	1	EA	
23	003012-100	DOOR HANDLE ENDCAP ASSY, RH (BRASS) - NLA	1	EA	
24	002728-000	DOOR HANDLE - SS, 1.25" 29.5	1	EA	
NI	009203-000	DOOR ASSY, SS VGCC548 RH W/O LOGO	1	EA	
NI	013137-002	DOOR ASSY, VGCC548 RH BK	1	EA	
NI	013137-003	DOOR ASSY, RH, W/O LOGO, BT	1	EA	
NI	013137-004	DOOR ASSY, RH, W/O LOGO, SG	1	EA	
NI	013137-005	DOOR ASSY, RH, W/O LOGO, GG	1	EA	
NI	013137-006	DOOR ASSY, RH, W/O LOGO, WH	1	EA	
NI	013137-008	DOOR ASSY, RH, W/O LOGO, BU	1	EA	
NI	013137-009	DOOR ASSY, RH, W/O LOGO, LE	1	EA	
NI	013137-010	DOOR ASSY, RH, W/O LOGO, MJ	1	EA	



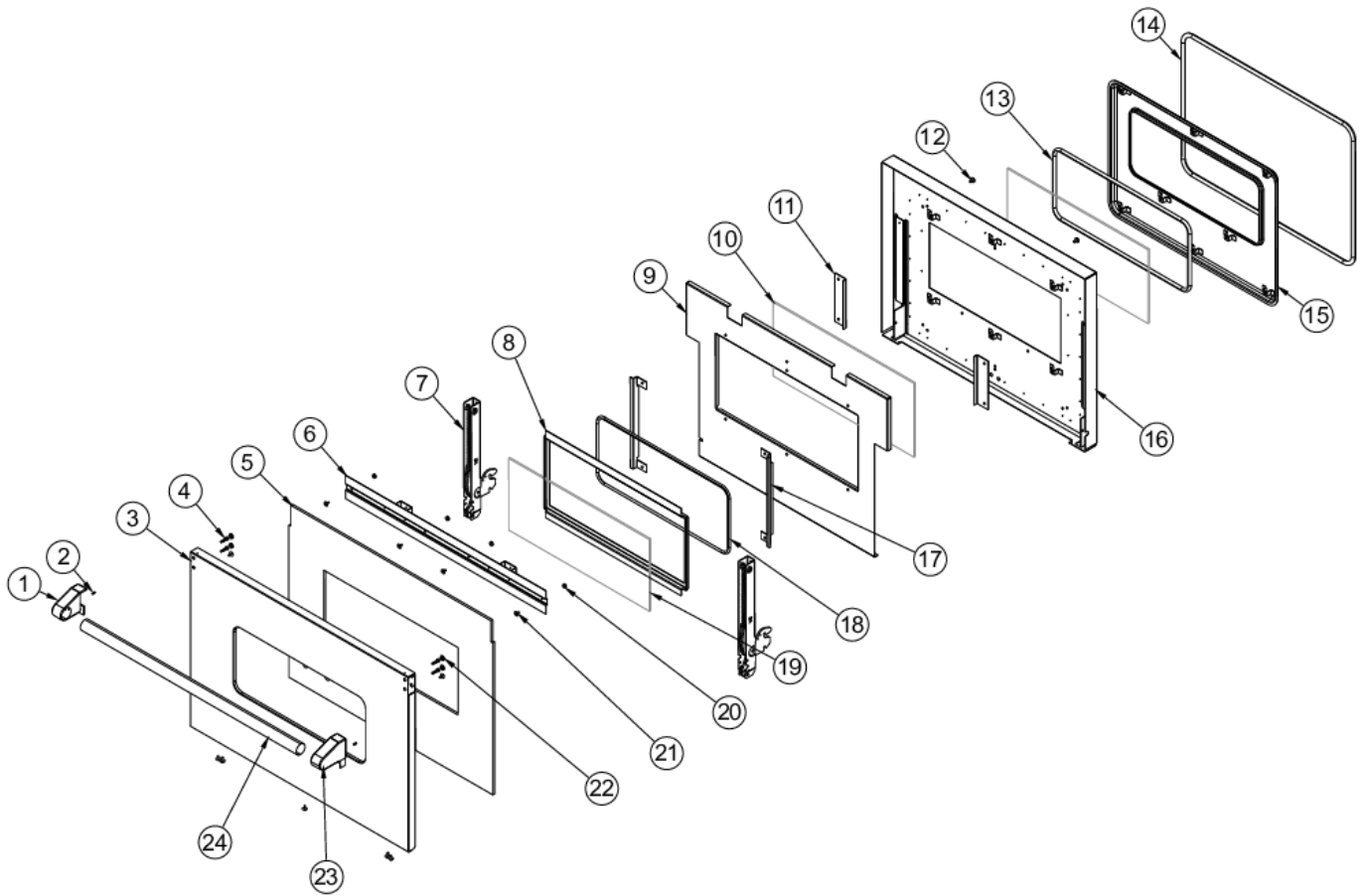
Item	Part No.	Name	Qty	Uom	NOTES
NI	013137-012	DOOR ASSY, RH, W/O LOGO, VB	1	EA	
NI	013137-013	DOOR ASSY, RH, W/O LOGO, CB	1	EA	
NI	013137-015	DOOR ASSY, RH, W/O LOGO, PL	1	EA	
NI	013137-016	DOOR ASSY, RH, W/O LOGO, CH	1	EA	
NI	013137-017	DOOR ASSY, RH, W/O LOGO, TP	1	EA	
NI	013137-018	DOOR ASSY, RH, W/O LOGO, CW NLA	1	EA	
NI	013137-019	DOOR ASSY, RH, W/O LOGO, OG	1	EA	
NI	013137-020	DOOR ASSY, RH, W/O LOGO, GM	1	EA	
NI	013137-021	DOOR ASSY, RH, W/O LOGO, SA	1	EA	
NI	013137-022	DOOR ASSY, RH, W/O LOGO, SE	1	EA	
NI	013137-023	DOOR ASSY, RH, W/O LOGO, IB	1	EA	
NI	013137-024	DOOR ASSY, RH, W/O LOGO, AR	1	EA	
NI	013137-025	DOOR ASSY, RH, W/O LOGO, RR	1	EA	
NI	013137-026	DOOR ASSY, CRS VGCC548 RH, PM	1	EA	
NI	013137-027	DOOR ASSY, RH, W/O LOGO, MS	1	EA	
NI	009203-100	DOOR ASSY, RH, W/O LOGO, SS/BR	1	EA	
NI	013137-102	DOOR ASSY, RH, W/O LOGO, BK/BR	1	EA	
NI	013137-003	DOOR ASSY, RH, W/O LOGO, BT	1	EA	
NI	013137-004	DOOR ASSY, RH, W/O LOGO, SG	1	EA	
NI	013137-005	DOOR ASSY, RH, W/O LOGO, GG	1	EA	
NI	013137-006	DOOR ASSY, RH, W/O LOGO, WH	1	EA	
NI	013137-008	DOOR ASSY, RH, W/O LOGO, BU	1	EA	



Item	Part No.	Name	Qty	Uom	NOTES
NI	013137-009	DOOR ASSY, RH, W/O LOGO, LE	1	EA	
NI	013137-010	DOOR ASSY, RH, W/O LOGO, MJ	1	EA	
NI	013137-012	DOOR ASSY, RH, W/O LOGO, VB	1	EA	
NI	013137-013	DOOR ASSY, RH, W/O LOGO, CB	1	EA	
NI	013137-015	DOOR ASSY, RH, W/O LOGO, PL	1	EA	
NI	013137-016	DOOR ASSY, RH, W/O LOGO, CH	1	EA	
NI	013137-017	DOOR ASSY, RH, W/O LOGO, TP	1	EA	
NI	013137-018	DOOR ASSY, RH, W/O LOGO, CW NLA	1	EA	
NI	013137-019	DOOR ASSY, RH, W/O LOGO, OG	1	EA	
NI	013137-020	DOOR ASSY, RH, W/O LOGO, GM	1	EA	
NI	013137-021	DOOR ASSY, RH, W/O LOGO, SA	1	EA	
NI	013137-022	DOOR ASSY, RH, W/O LOGO, SE	1	EA	
NI	013137-023	DOOR ASSY, RH, W/O LOGO, IB	1	EA	
NI	013137-024	DOOR ASSY, RH, W/O LOGO, AR	1	EA	
NI	013137-025	DOOR ASSY, RH, W/O LOGO, RR	1	EA	
NI	013137-026	DOOR ASSY, CRS VGCC548 RH, PM	1	EA	
NI	013137-027	DOOR ASSY, RH, W/O LOGO, MS	1	EA	
NI	008142-000	PANEL, DOOR, ASM, OTR, GSC548, SS	1	EA	
NI	009659-002	PANEL, DOOR ASM, OUTER, BK	1	EA	
NI	009659-003	PANEL, DOOR ASM, OUTER, BT	1	EA	
NI	009659-004	PANEL, DOOR ASM, OUTER, SG	1	EA	
NI	009659-005	PANEL, DOOR ASM, OUTER, GG	1	EA	

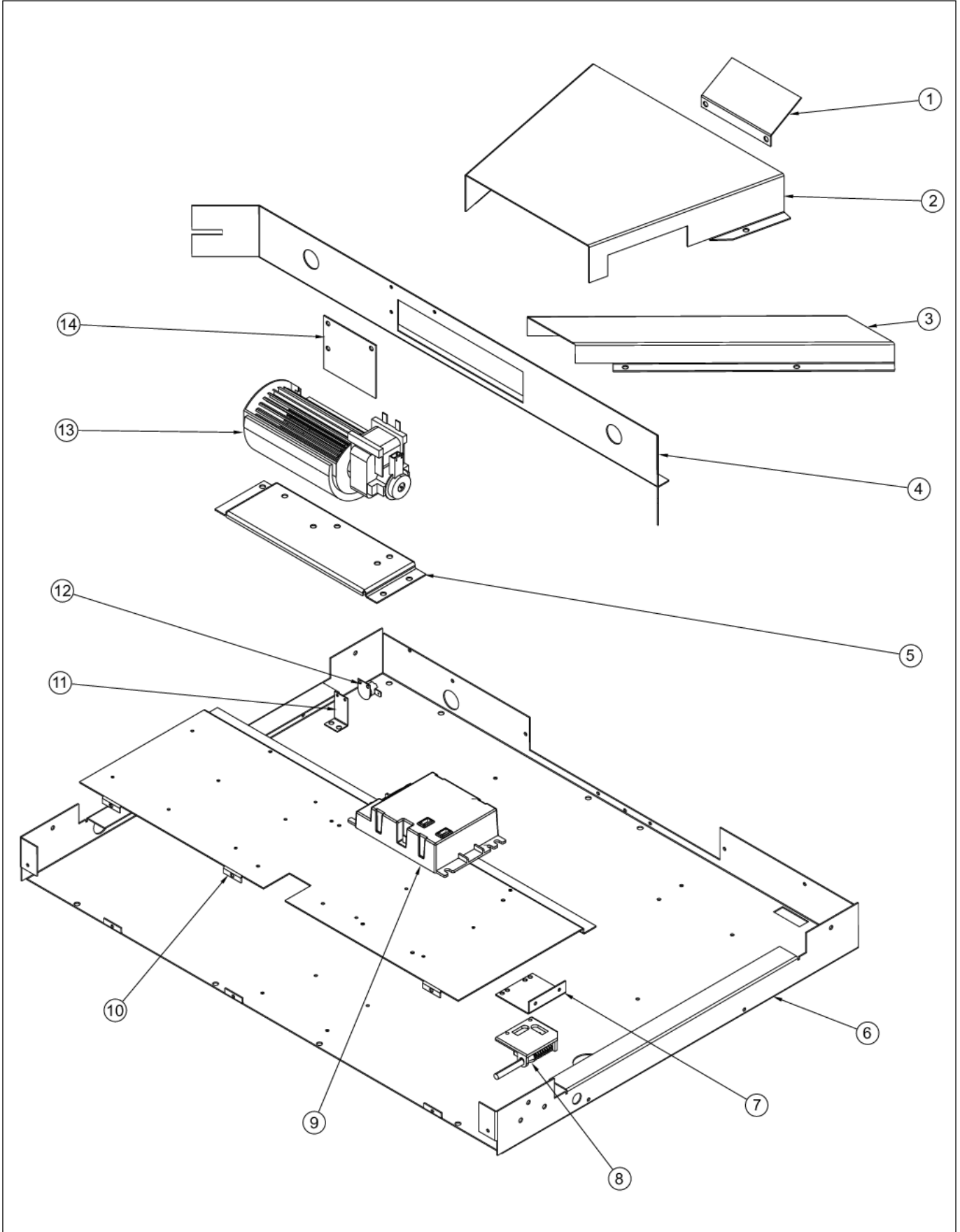


Item	Part No.	Name	Qty	Uom	NOTES
NI	009659-006	PANEL, DOOR ASM, OUTER, WH	1	EA	
NI	009659-008	PANEL, DOOR ASM, OUTER, BU	1	EA	
NI	009659-009	PANEL, DOOR ASM, OUTER, LE	1	EA	
NI	009659-010	PANEL, DOOR ASM, OUTER, MJ	1	EA	
NI	009659-012	PANEL, DOOR ASM, OUTER, VB	1	EA	
NI	009659-013	PANEL, DOOR ASM, OUTER, CB	1	EA	
NI	009659-015	PANEL, DOOR ASM, OUTER, PL	1	EA	
NI	009659-016	PANEL, DOOR ASM, OUTER, CH	1	EA	
NI	009659-017	PANEL, DOOR ASM, OUTER, TP	1	EA	
NI	009659-018	PANEL, DOOR ASM, OUTER, CW NLA	1	EA	
NI	009659-019	PANEL, DOOR ASM, OUTER, OG	1	EA	
NI	009659-020	PANEL, DOOR ASM, OUTER, GM	1	EA	
NI	009659-021	PANEL, DOOR ASM, OUTER, SA	1	EA	
NI	009659-022	PANEL, DOOR ASM, OUTER, SE	1	EA	
NI	009659-023	PANEL, DOOR ASM, OUTER, IB	1	EA	
NI	009659-024	PANEL, DOOR ASM, OUTER, AR	1	EA	
NI	009659-025	PANEL, DOOR ASM, OUTER, RR	1	EA	
NI	009659-026	PANEL, DOOR ASM, OUTER, PM	1	EA	
NI	009659-027	PANEL, DOOR ASM, OUTER, MS	1	EA	
NI	008142-100	PANEL, DOOR, ASM, OTR, VGSC548, SSBR	1	EA	
NI	009659-102	PANEL, DOOR ASM, OUTER, BK/BR	1	EA	
NI	009659-003	PANEL, DOOR ASM, OUTER, BT	1	EA	



Item	Part No.	Name	Qty	Uom	NOTES
NI	009659-004	PANEL, DOOR ASM, OUTER, SG	1	EA	
NI	009659-005	PANEL, DOOR ASM, OUTER, GG	1	EA	
NI	009659-006	PANEL, DOOR ASM, OUTER, WH	1	EA	
NI	009659-008	PANEL, DOOR ASM, OUTER, BU	1	EA	
NI	009659-009	PANEL, DOOR ASM, OUTER, LE	1	EA	
NI	009659-010	PANEL, DOOR ASM, OUTER, MJ	1	EA	
NI	009659-012	PANEL, DOOR ASM, OUTER, VB	1	EA	
NI	009659-013	PANEL, DOOR ASM, OUTER, CB	1	EA	
NI	009659-015	PANEL, DOOR ASM, OUTER, PL	1	EA	
NI	009659-016	PANEL, DOOR ASM, OUTER, CH	1	EA	
NI	009659-017	PANEL, DOOR ASM, OUTER, TP	1	EA	
NI	009659-018	PANEL, DOOR ASM, OUTER, CW NLA	1	EA	
NI	009659-019	PANEL, DOOR ASM, OUTER, OG	1	EA	
NI	009659-020	PANEL, DOOR ASM, OUTER, GM	1	EA	
NI	009659-021	PANEL, DOOR ASM, OUTER, SA	1	EA	
NI	009659-022	PANEL, DOOR ASM, OUTER, SE	1	EA	
NI	009659-023	PANEL, DOOR ASM, OUTER, IB	1	EA	
NI	009659-024	PANEL, DOOR ASM, OUTER, AR	1	EA	
NI	009659-025	PANEL, DOOR ASM, OUTER, RR	1	EA	
NI	009659-026	PANEL, DOOR ASM, OUTER, PM	1	EA	
NI	009659-027	PANEL, DOOR ASM, OUTER, MS	1	EA	

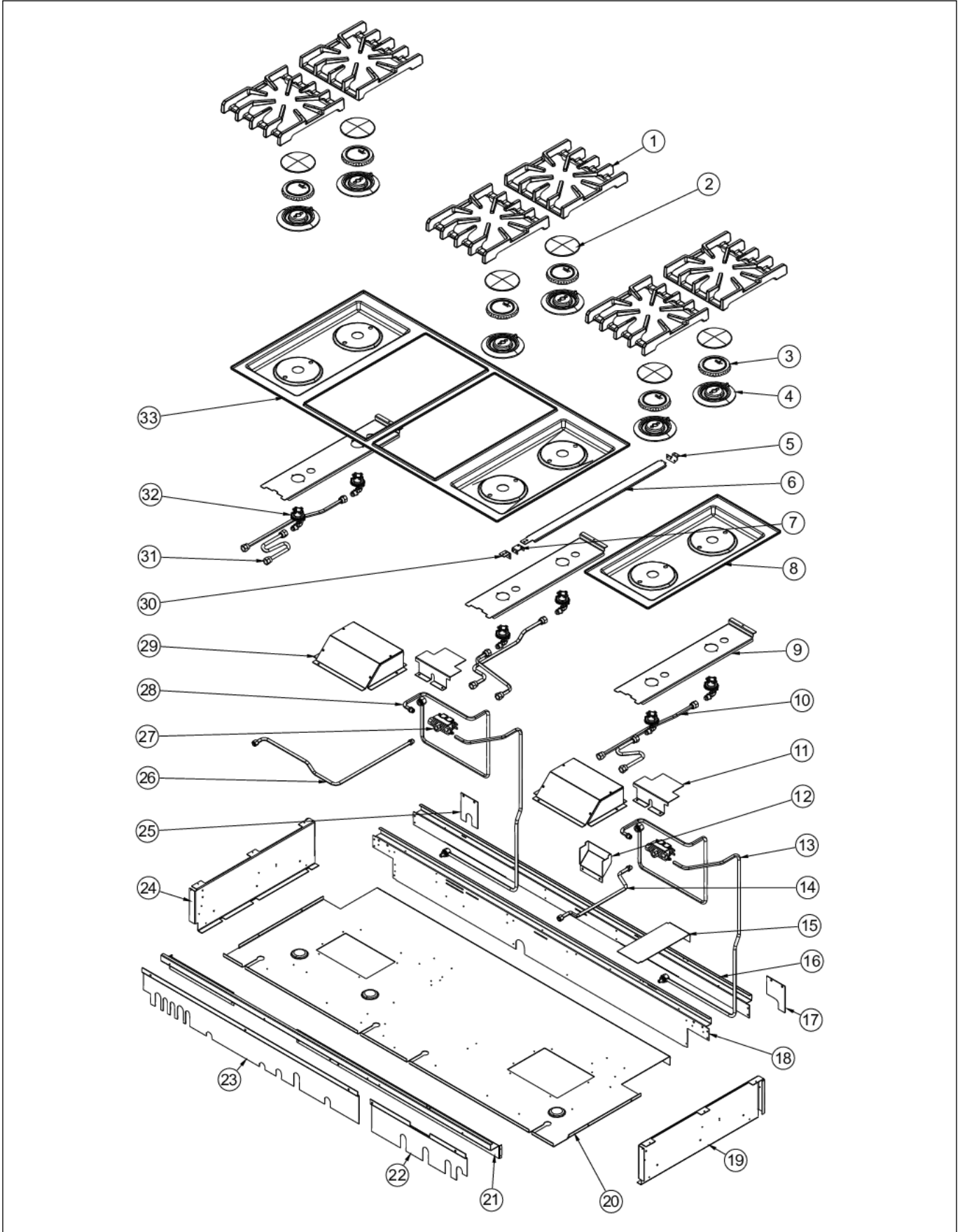
RH OVEN ELECTRONICS



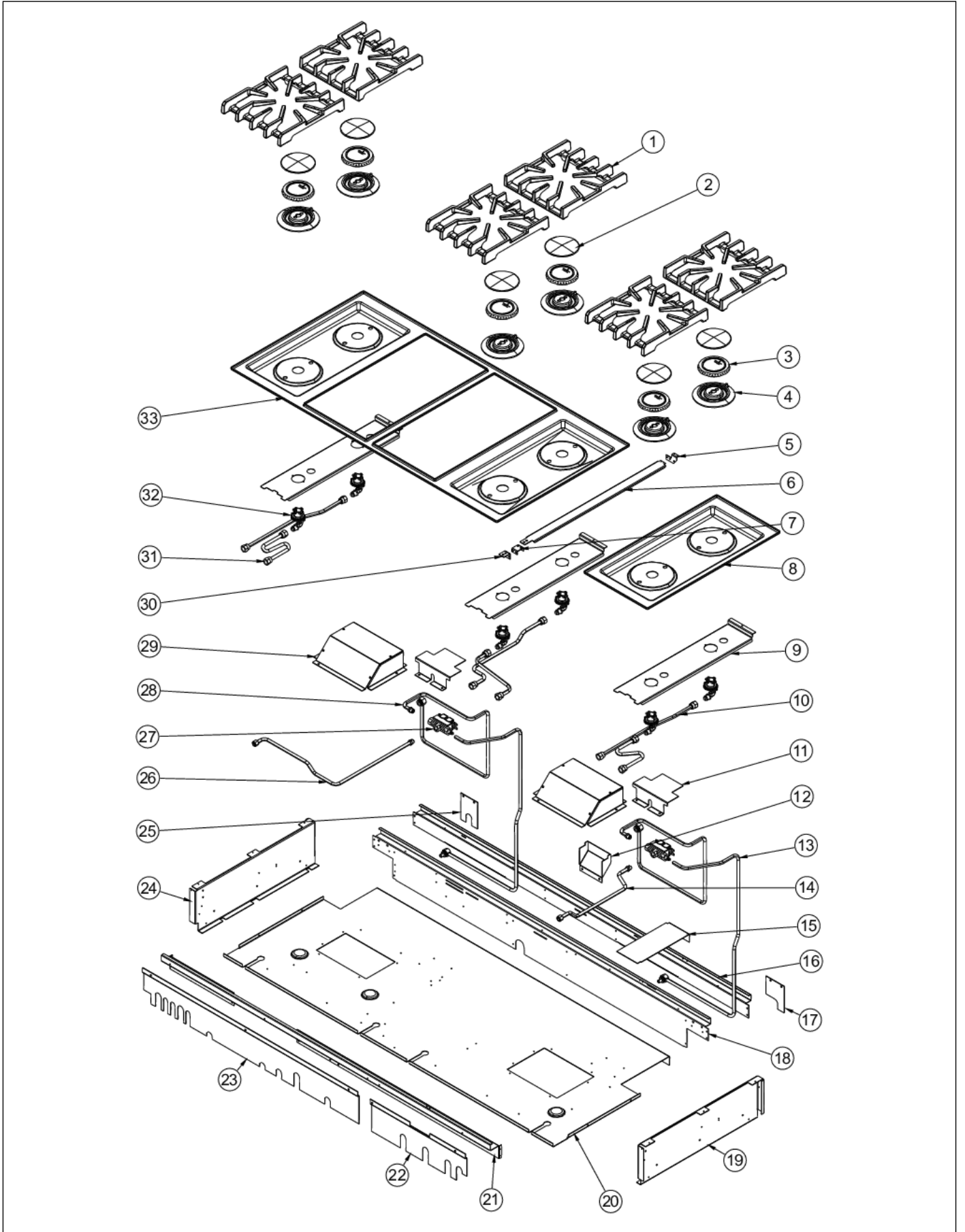


Item	Part No.	Name	Qty	Uom	NOTES
1	006952-000	DEFLECTOR, AIR	1	EA	
2	005464-000	DUCT, VENT	1	EA	
3	006950-000	DUCT, VENT	1	EA	
4	006114-000	DIVIDER, AIR	1	EA	
5	006956-000	BRACKET, BLO, MTG	1	EA	
6	004628-000	TOP, CAB	1	EA	
7	A20012649	DOOR SWITCH BRACKET	1	EA	
8	PE050208	DOOR SWITCH	1	EA	
9	023651-000	DSI120-2-LVS	1	EA	
10	005315-000	TRAY, ELEX, 30", GSC	1	EA	
11	A20014089	DISC BRACKET	1	EA	
12	PJ030039	BI-METAL THERMOSTAT 275 DEGREES	1	EA	
13	007794-000	COOLING FAN, VDSC 18"	1	EA	
Not Shown	NOTE	BEFORE 8/12/13		EA	
13	030567-000	FAN,BLOW,ASM 120V (51480)	1	EA	
Not Shown	NOTE	AFTER 8/12/13		EA	
14	008420-000	FAN COVER PLATE	1	EA	

SURFACE COOKING AREA



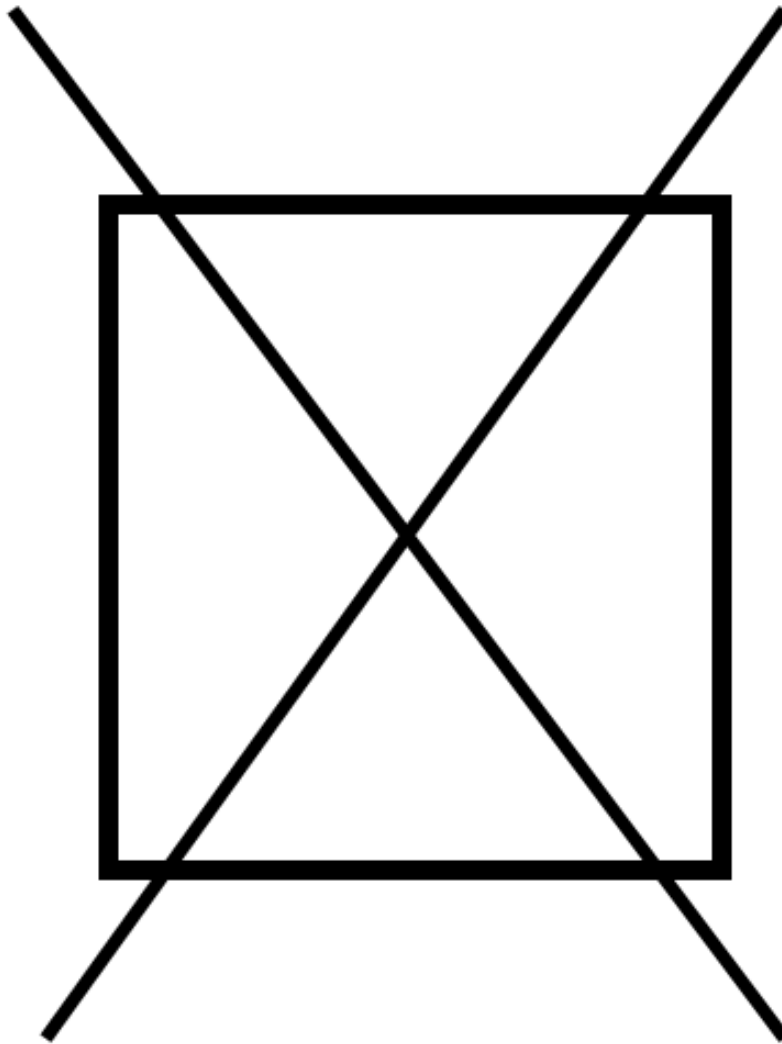
Item	Part No.	Name	Qty	Uom	NOTES
1	007323-000	BURNER GRATE	6	EA	
Not Shown	NOTE	(BEFORE 11/21/14)		EA	
1	049420-000	GRATE, BURNER, ASM	6	EA	
Not Shown	NOTE	(ON OR AFTER 11/21/14)		EA	
NI	PD040075	RUBBER FOOT	24	EA	
Not Shown	NOTE	(BEFORE 11/21/14)		EA	
NI	049416-000	BUMPER, GRATE	24	EA	
Not Shown	NOTE	(ON OR AFTER 11/21/14)		EA	
2	PA080083	D BURNER CAP *MATTE BLACK*	6	EA	
3	018200-000	ADJUSTED SEALED BURNER HEAD	6	EA	
4	003322-041	SEALED BURNER BASE, PAINTED FINISH- GRAY	6	EA	
5	027936-000	BRACKET, BRIDGE, REAR	1	EA	
6	025763-000	BRIDGE, CKTP	1	EA	
7	014537-000	BRACKET. BRIDGE	1	EA	
8	E91015333	SEALED BURNER TOP - 12", BK	1	EA	Not available online / Call for pricing and availability
9	002923-000	BURNER MODULE SUPPORT	3	EA	
10	PB020193	16" FLEX TUBING W/CONNECTORS	3	EA	
11	010251-000	COVER, SOL	2	EA	
12	016562-000	DUCT, VENT, GRDL, CC60	1	EA	
13	015200-000	TUBING, BAKE ASM, NAT	2	EA	
13	015731-000	TUBING, BAKE ASM, LP	2	EA	
14	015196-000	TUBE, MANF, ASM	1	EA	
15	014703-000	PLATE, SVCE	1	EA	
16	006762-000	SUPPORT, BURNER BOX, REAR	1	EA	
17	014702-000	COVER, PL, R, CTL	1	EA	
18	014666-000	SUPPORT, BACK 60"	1	EA	
19	002755-000	BURNER BOX SIDE, RH	1	EA	





Item	Part No.	Name	Qty	Uom	NOTES
20	014584-000	BURNER BOX BOTTOM, 60"	1	EA	
21	014674-000	SUPPORT, FRONT 60"	1	EA	
22	015587-000	SHIELD, HEAT 60" GAS	1	EA	
23	016490-000	SHIELD, HEAT, GAS 60"	1	EA	
24	003481-000	BURNER BOX SIDE, LH	1	EA	
25	014700-000	COVER, PL	1	EA	
26	015198-000	TUBE, MANF, ASM	1	EA	
27	009112-000	VALVE, SOL, DOUBLE	2	EA	
28	015199-000	TUBING, BROIL BURNER, ASM	2	EA	
29	009065-000	COVER, FAN, VGSC548	2	EA	
30	017111-000	BRACKET, BRDG, FR	1	EA	
31	PB020192	10" FLEX TUBING W/CONNECTORS	3	EA	
32	001394-041	18500 BTU NAT JETHOLDER	1	EA	
32	001394-042	15000 BTU NAT JETHOLDER	5	EA	
32	001394-046	12.5 K BTU LP JETHOLDER	5	EA	
32	001394-044	16.6 K BTU LP JETHOLDER	1	EA	
33	E9109803BK	48" SEALED COOKTOP 4BGQ *BK*	1	EA	
NI	009197-000	#6-32 X 5/8 18-8 SS NC SOC CAP	12	EA	

NON
ILLUSTRATED PART





Item	Part No.	Name	Qty	Uom	NOTES
NI	000647-000	IRIS IGNITOR WIRE, FRONT BURNER	3	EA	
NI	006766-000	IRIS IGNITOR WIRE, BACK BURNER	1	EA	
NI	025022-000	WIRE HARNESS, MAIN VGCC560 G	1	EA	
NI	012828-000	HARNESS, GROUND, DSI, VDSC536-4G	1	EA	
NI	G4000936	GROUND WIRE	2	EA	
NI	024606-000	WIRE, BAKE, ELECTRODE, ASM	3	EA	
NI	024605-000	WIRE, BRL, ELECTRODE, ASM	2	EA	
NI	023750-000	CORD, SUPPLY	1	EA	
NI	PE070889	IRIS HARNESS (24"/30")	2	EA	
NI	025018-000	WIRE HARNESS, MAIN, VGCC560 B/Q	1	EA	
NI	015745-000	HARNESS, GRIDDLE/CC OVEN THERMOSTAT	3	EA	
NI	043839-000	60" SPILL GUTTER KIT 2	1	EA	
Not Shown	NOTE	(FOR UNITS MANUFACTURED BEFORE 1/3/13)		EA	
NI	015357-000	IGNITOR, W/WIRE	1	EA	



Appendix A:Pages Index

CONTROL AREA 1
GRIDDLE ASSEMBLY 2
GRILL ASSEMBLY 3
LH CAVITY INTERIOR 4
LH DOOR ASSEMBLY 5
LH OVEN ELECTRONICS 6
LOWER UNIT AND SIDE PANELS 7
REAR SHEET METAL 8
RH CAVITY INTERIOR 9
RH DOOR ASSEMBLY 10
RH OVEN ELECTRONICS 11
SURFACE COOKING AREA 12
WIRING 13



Appendix B:Parts Index

000042-000	5, 10	004645-005	7
000594-000	5, 10	004645-006	7
000647-000	13	004645-008	7
000845-000	1	004645-009	7
001142-000	5, 10	004645-010	7
001142-402	5, 10	004645-012	7
001290-000	1	004645-013	7
001394-041	12	004645-015	7
001394-042	12	004645-016	7
001394-044	12	004645-017	7
001394-046	12	004645-018	7
002513-000	2	004645-019	7
002728-000	5, 10	004645-020	7
002740-000	5, 10	004645-021	7
002755-000	12	004645-022	7
002905-000	7	004645-023	7
002920-000	7	004645-024	7
002923-000	12	004645-025	7
003011-000	5, 10	004645-026	7
003011-100	5, 10	004645-027	7
003012-000	5, 10	004683-000	5
003012-100	5, 10	004684-000	5
003053-000	7	004685-000	5, 10
003322-041	12	004688-000	5, 10
003481-000	12	004691-000	5, 10
003588-000	7	004691-402	5, 10
003649-000	7	004907-000	5, 10
003650-000	5, 10	005269-000	1
003719-000	1	005311-000	4, 9
003738-000	7	005315-000	11
003739-000	7	005329-000	4, 9
003801-000	7	005373-000	4, 9
003860-000	4	005464-000	11
004021-000	7	005505-002	7
004479-000	4, 9	005505-003	7
004482-000	4, 9	005505-004	7
004628-000	11	005505-005	7
004645-002	7	005505-006	7
004645-003	7	005505-008	7
004645-004	7	005505-009	7
		005505-010	7



005505-012	7	007878-000	3
005505-013	7	008097-000	5, 10
005505-015	7	008142-000	10
005505-016	7	008142-100	10
005505-017	7	008183-000	10
005505-018	7	008231-000	7
005505-019	7	008416-000	1
005505-020	7	008420-000	11
005505-021	7	008636-000	3
005505-022	7	008638-000	3
005505-023	7	008741-000	7
005505-024	7	009065-000	12
005505-025	7	009111-000	2
005505-026	7	009112-000	12
005505-027	7	009197-000	12
005529-000	7	009203-000	10
005536-000	4, 9	009203-100	10
006114-000	11	009659-002	10
006192-000	4, 9	009659-003	10, 10
006313-000	1	009659-004	10, 10
006355-000	1	009659-005	10, 10
006411-000	7	009659-006	10, 10
006412-000	7	009659-008	10, 10
006413-000	7	009659-009	10, 10
006553-000	5, 10	009659-010	10, 10
006570-000	1	009659-012	10, 10
006574-000	1	009659-013	10, 10
006744-000	8	009659-015	10, 10
006762-000	12	009659-016	10, 10
006766-000	13	009659-017	10, 10
006783-000	2	009659-018	10, 10
006785-000	2	009659-019	10, 10
006950-000	11	009659-020	10, 10
006952-000	6, 11	009659-021	10, 10
006956-000	6, 11	009659-022	10, 10
007147-000	1	009659-023	10, 10
007278-000	4, 9	009659-024	10, 10
007323-000	12	009659-025	10, 10
007583-000	5, 10	009659-026	10, 10
007776-000	3	009659-027	10, 10
007794-000	6, 11	009659-102	10



010168-000	3	014573-000	1
010251-000	12	014584-000	12
012438-000	6	014589-000	8
012828-000	13	014601-000	7
013137-002	10	014602-000	7
013137-003	10, 10	014666-000	12
013137-004	10, 10	014674-000	12
013137-005	10, 10	014676-000	6
013137-006	10, 10	014696-000	7
013137-008	10, 10	014698-000	7
013137-009	10, 10	014700-000	12
013137-010	10, 10	014702-000	12
013137-012	10, 10	014703-000	12
013137-013	10, 10	014704-000	3
013137-015	10, 10	014709-000	2
013137-016	10, 10	014712-000	2
013137-017	10, 10	014815-000	7
013137-018	10, 10	015196-000	12
013137-019	10, 10	015198-000	12
013137-020	10, 10	015199-000	12
013137-021	10, 10	015200-000	12
013137-022	10, 10	015357-000	13
013137-023	10, 10	015420-002	7
013137-024	10, 10	015420-003	7
013137-025	10, 10	015420-004	7
013137-026	10, 10	015420-005	7
013137-027	10, 10	015420-006	7
013137-102	10	015420-008	7
013213-000	1	015420-009	7
013386-000	1	015420-010	7
013580-402	4, 9	015420-012	7
013593-000	3	015420-013	7
013595-000	3	015420-015	7
013888-000	2	015420-016	7
013889-000	2	015420-017	7
014321-000	1	015420-018	7
014537-000	12	015420-019	7
014549-000	1	015420-020	7
014552-000	1	015420-021	7
014561-000	1	015420-022	7
014566-000	1	015420-023	7



015420-024	7	026273-008	5
015420-025	7	026273-009	5
015420-026	7	026273-010	5
015420-027	7	026273-012	5
015587-000	12	026273-013	5
015731-000	12	026273-015	5
015745-000	13	026273-016	5
016292-000	2	026273-017	5
016293-000	2	026273-018	5
016295-000	2	026273-019	5
016490-000	12	026273-020	5
016532-000	6	026273-021	5
016540-000	8	026273-022	5
016562-000	12	026273-023	5
017111-000	12	026273-024	5
018200-000	12	026273-025	5
020404-000	4, 9	026273-026	5
021199-000	4	026273-027	5
021225-000	4, 9	026273-102	5
021225-402	4, 9	026273-103	5
021225-403	4, 9	026273-104	5
023089-000	4	026273-105	5
023133-000	2	026273-106	5
023651-000	6, 11	026273-108	5
023750-000	13	026273-109	5
024605-000	13	026273-110	5
024606-000	13	026273-112	5
024732-000	6	026273-113	5
024940-000	2	026273-115	5
025018-000	13	026273-116	5
025022-000	13	026273-117	5
025086-000	6	026273-118	5
025127-000	6	026273-119	5
025763-000	12	026273-120	5
026002-000	5	026273-121	5
026002-100	5	026273-122	5
026273-002	5	026273-123	5
026273-003	5	026273-124	5
026273-004	5	026273-125	5
026273-005	5	026273-126	5
026273-006	5	026273-127	5



027926-000	5	027946-120	5
027926-100	5	027946-121	5
027936-000	12	027946-122	5
027946-002	5	027946-123	5
027946-003	5	027946-124	5
027946-004	5	027946-125	5
027946-005	5	027946-126	5
027946-006	5	027946-127	5
027946-008	5	030567-000	6, 11
027946-009	5	030823-000	5, 10
027946-010	5	031445-403	4
027946-012	5	031679-000	4, 9
027946-013	5	031735-000	4
027946-015	5	032157-000	8
027946-016	5	034927-000	8
027946-017	5	034928-000	8
027946-018	5	035881-000	1
027946-019	5	035883-000	1
027946-020	5	035885-000	1
027946-021	5	035891-000	1
027946-022	5	038431-000	7
027946-023	5	038437-002	7
027946-024	5	038437-003	7
027946-025	5	038437-004	7
027946-026	5	038437-005	7
027946-027	5	038437-006	7
027946-102	5	038437-008	7
027946-103	5	038437-009	7
027946-104	5	038437-010	7
027946-105	5	038437-012	7
027946-106	5	038437-013	7
027946-108	5	038437-015	7
027946-109	5	038437-016	7
027946-110	5	038437-017	7
027946-112	5	038437-018	7
027946-113	5	038437-019	7
027946-115	5	038437-020	7
027946-116	5	038437-021	7
027946-117	5	038437-022	7
027946-118	5	038437-023	7
027946-119	5	038437-024	7



038437-025	7	042679-012	7
038437-026	7	042679-013	7
038437-027	7	042679-015	7
040230-000	2	042679-016	7
040345-000	4, 9	042679-017	7
040736-000	7	042679-018	7
040863-000	4, 9	042679-019	7
042238-2219	1	042679-020	7
042648-000	7	042679-021	7
042666-000	7	042679-022	7
042678-002	7	042679-023	7
042678-003	7	042679-024	7
042678-004	7	042679-025	7
042678-005	7	042679-026	7
042678-006	7	042679-027	7
042678-008	7	043839-000	13
042678-009	7	044178-000	7
042678-010	7	049416-000	12
042678-012	7	049420-000	12
042678-013	7	049718-402	4, 9
042678-015	7	050172-000	1
042678-016	7	051021-000	7
042678-017	7	056872-000	7
042678-018	7	056873-000	7
042678-019	7	066225-402	4, 9
042678-020	7	068456-000	4, 9
042678-021	7	072628-402	3
042678-022	7	A1002596	9
042678-023	7	A20012649	6, 11
042678-024	7	A2001361	9
042678-025	7	A20014089	6, 11
042678-026	7	A2002189	5, 10
042678-027	7	A2002595	9
042679-002	7	A2002654	8
042679-003	7	A2004428	9
042679-004	7	A2004429	7
042679-005	7	A2008467	4, 9
042679-006	7	B2001448	4, 9
042679-008	7	B2005589	4, 9
042679-009	7	E91012614	4, 9
042679-010	7	E91015333	12



E9109803BK	12	PJ030022	6
G3001876	4, 9	PJ030039	6, 11
G4000936	13		
G9104482	9		
J2101749	3		
M0210443	9		
PA020028	2, 3		
PA020058	1		
PA050031	1		
PA070003	1		
PA080083	12		
PB010304PVD	1		
PB020192	12		
PB020193	12		
PB040170	4, 9		
PB040171	4, 9		
PB040190	2		
PB060030	4, 9		
PB060044	4, 9		
PC030007	7		
PD010012	1		
PD020033	5, 10		
PD020048	4, 9		
PD020067	4, 9		
PD020073	5, 10		
PD030006	5		
PD030010	5, 10		
PD040004	1		
PD040035	2		
PD040075	12		
PE010030	5		
PE010068	5		
PE050023	1		
PE050024	1		
PE050057	9		
PE050206	2, 4, 9		
PE050208	6, 11		
PE060030	5, 10		
PE060031	5, 10		
PE060039	5, 10		
PE070889	13		