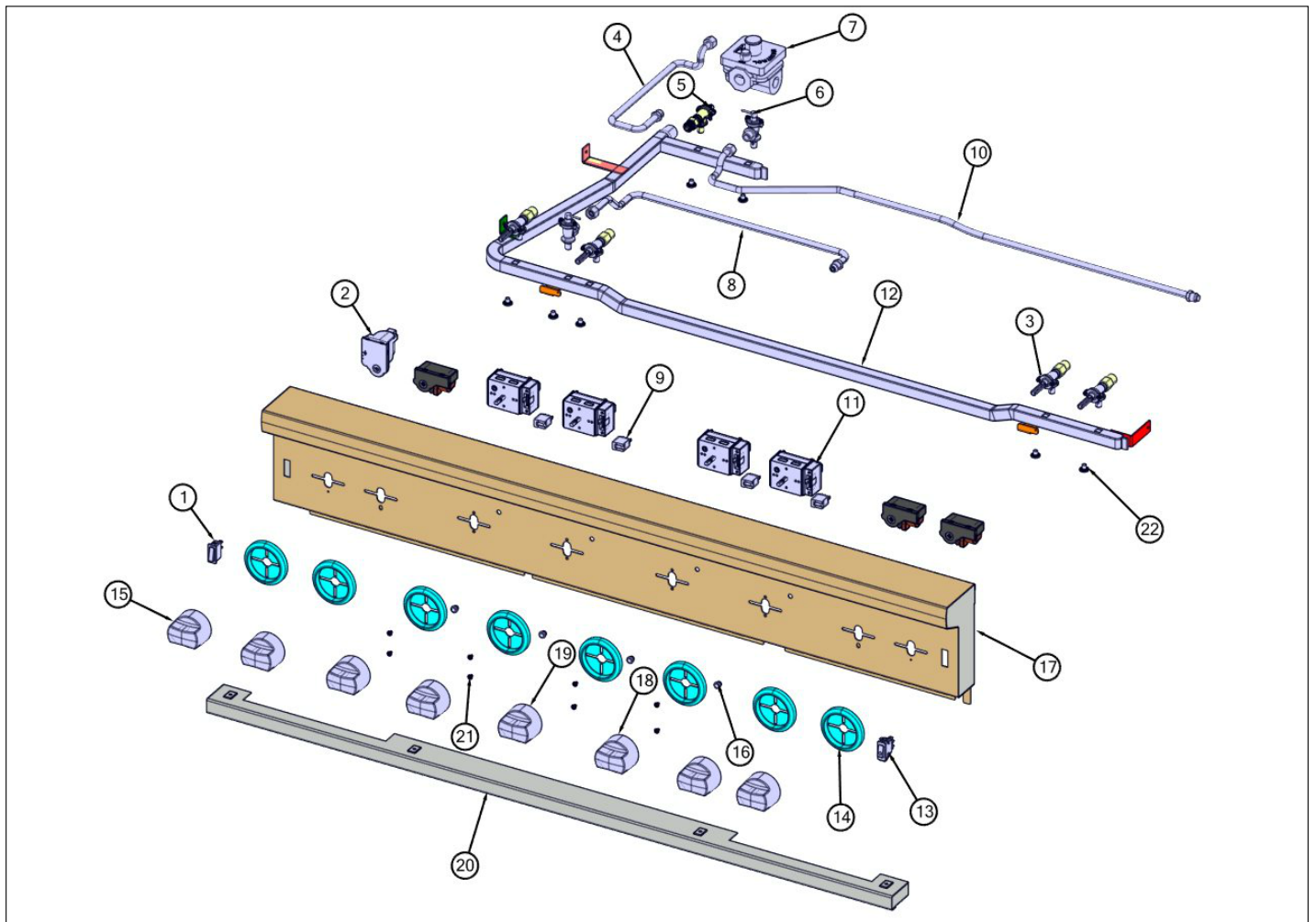


**VGCC548-4G**

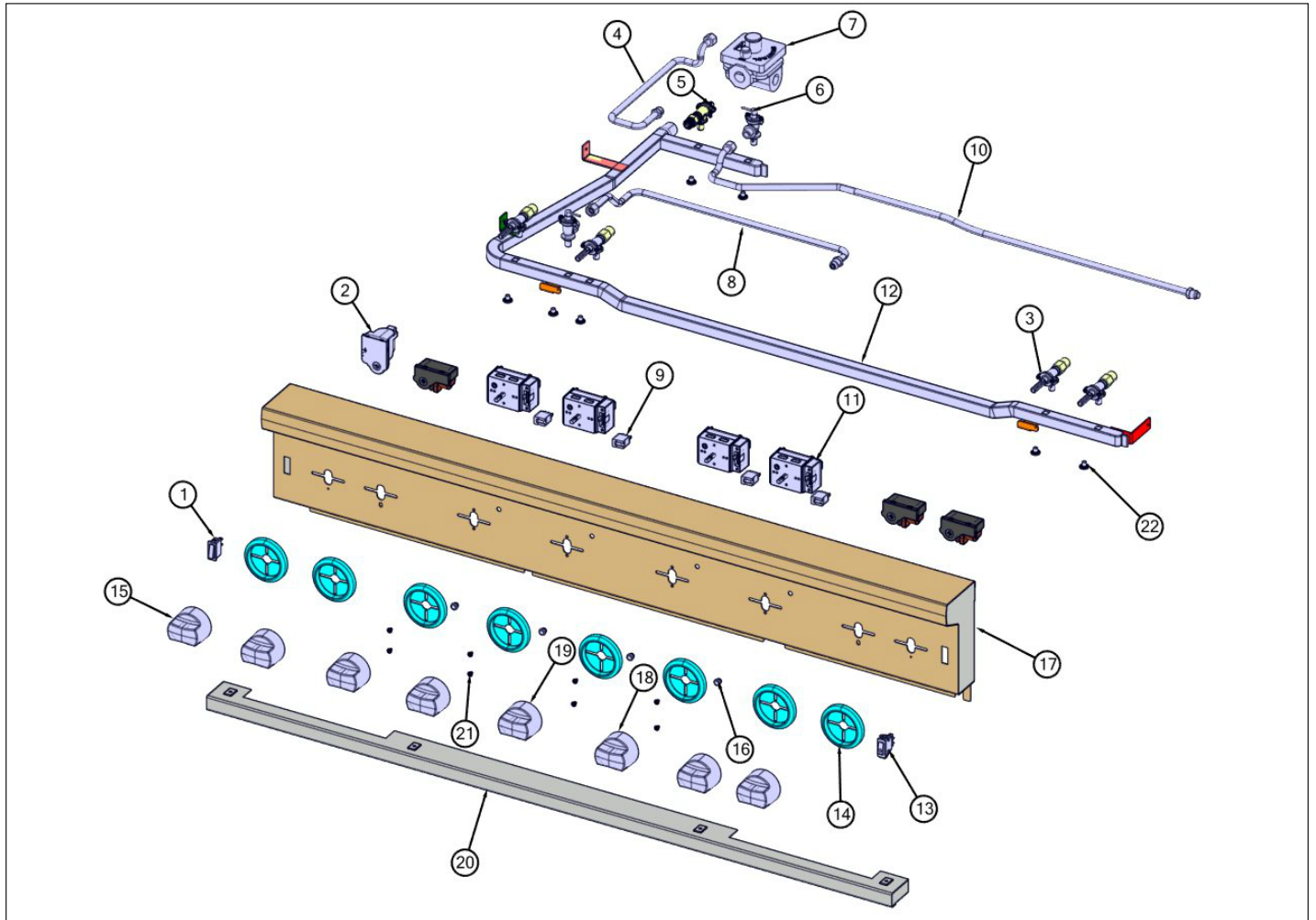
CONTROL AREA .....	1
DOUBLE GRIDDLE ASSEMBLY .....	2
LH DOOR ASSEMBLY .....	3
LH OVEN CAVITY .....	4
LOWER UNIT AND SIDE PANEL .....	5
OVEN ELECTRONICS .....	6
REAR SHEET METAL .....	7
RH DOOR ASSEMBLY .....	8
RH OVEN CAVITY .....	9
SURFACE COOKING AREA .....	10
WIRING .....	11
VGCC548 cooling fan data .....	12
Appendix A:Pages Index .....	A
Appendix B:Parts Index .....	B



CONTROL AREA



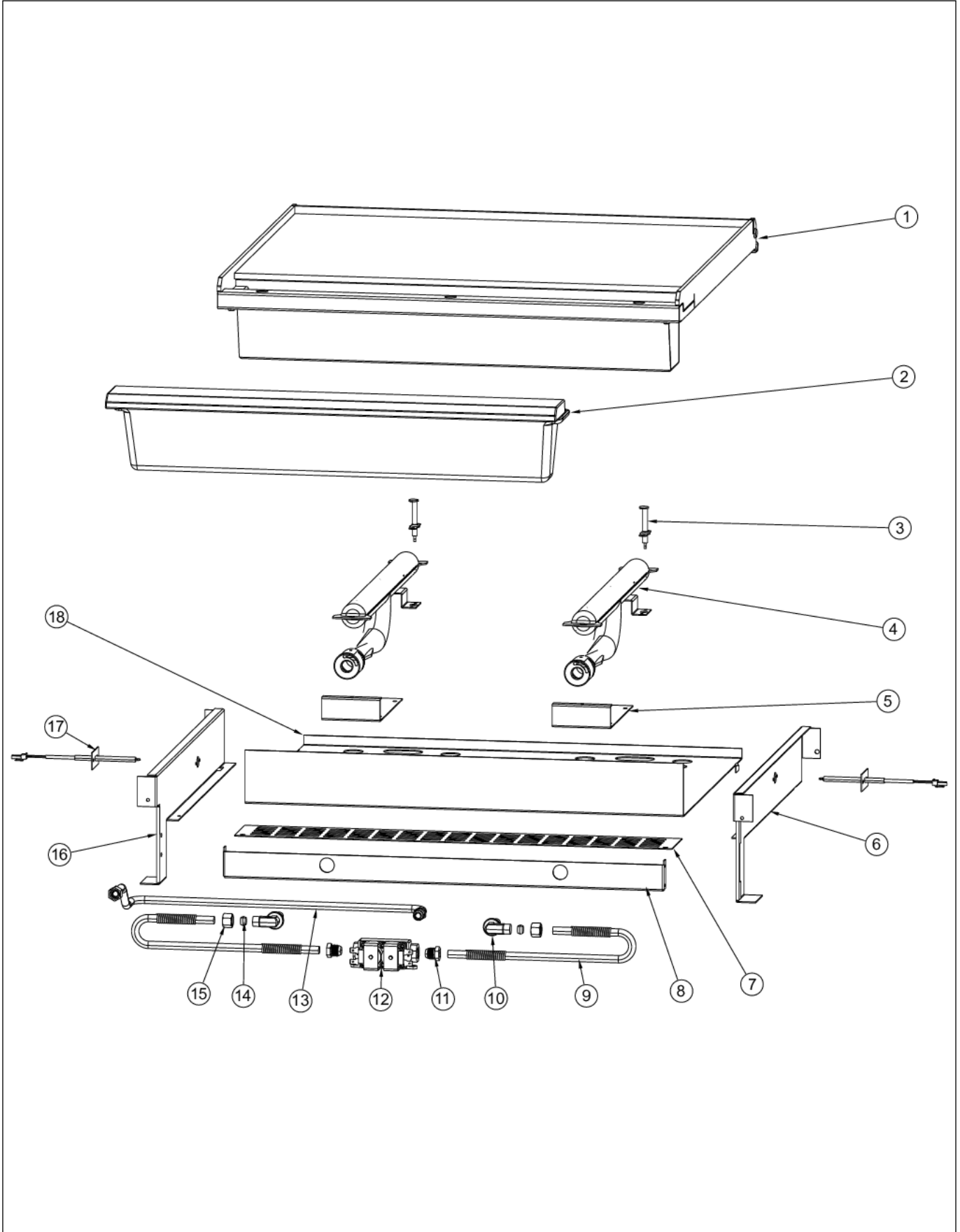
Item	Part No.	Name	Qty	Uom	NOTES
1	003719-000	OVEN LIGHT SWITCH, BLACK	1	EA	
2	PA020058	IRIS SINGLE SPARK MODULE	4	EA	
3	006313-000	VALVE, BRS, SEALED TOP	4	EA	
4	011695-000	TUBING, VALVE TO MANIFOLD, 6Q/8B ASSY	1	EA	
5	013320-000	VALVE, SHUTOFF, 90 DEGREE	1	EA	
6	007147-000	SHUT OFF VALVE	2	EA	
7	PA070003	PRESSURE REGULATOR (NAT.)	1	EA	
7	013386-000	LP PRESSURE REGULATOR	1	EA	
8	026037-000	TUBING, GRIDDLE VALVE	1	EA	
9	PE050024	OVEN IND. LIGHT (LIGHT HOUSING)	4	EA	
<p>Comments for Part Num. PE050024</p> <p>haarnink@vikingrange.com on Jan 14, 2019</p> <p>please note that the indicator light is now part 043135-000 but needs the Jumper harness 051443-000. and second option there are units in the field with a 230V indicator light part number 036566-000.</p> <p>please check this for all "E" module ranges/Tops</p>					
10	011570-000	TUBING, VALVE TO VALVE ASSY	1	EA	
11	013213-000	TSTAT, SMPS, ELEC, 2-POS, .91" SHAFT, CB	4	EA	
12	025869-000	MANIFOLD, VGCC/VGSC548-4G	1	EA	
13	006355-000	SPLASHPROOF ROCKER SWITCH	1	EA	
14	050172-000	KNOB BEZEL	8	EA	
14	PB010304PVD	RESTYLE KNOB BEZEL, BR	8	EA	
15	005269-000	RANGE TOP BURNER KNOB-BRUSHED, SSS	4	EA	
Not Shown	NOTE	BEFORE 12/20/12		EA	
15	035881-000	KNOB, BNR, TOP PRO CR3	1	EA	
Not Shown	NOTE	AFTER 12/20/12		EA	
16	PE050023	OVEN IND. LIGHT (LENS & BEZEL)	4	EA	





Item	Part No.	Name	Qty	Uom	NOTES
17	025894-2306	CTRL, PNL, ASM VGCC548-4G W/GRAPHICS	1	EA	Not available online / Call for pricing and availability
18	008416-000	KNOB, THERMOSTAT, #3 SSS, ASM, VGCC	1	EA	
Not Shown	NOTE	BEFORE 12/20/12		EA	
18	035893-000	KNOB,OVN,TSTAT, PRO VDSC/VESC CR3	1	EA	
Not Shown	NOTE	AFTER 12/20/12		EA	
19	006570-000	KNOB, GRDL/(LH OVEN), ASM, PVD, #3, SSS	3	EA	
<p>Comments for Part Num. 006570-000</p> <p>bradleysapplianceservice@shaw.ca on Aug 25, 2015</p> <p>006570-000 Griddle Knob Satin Stainless Steel (SSS) - Serial Break: Before 12/20/12</p> <p>035883-000 Griddle Knob Stainless Steel (SS) - Serial Break After 12/20/12</p> <p>If stainless steel (SS) is required: Use part number 035883-000 Griddle Knob</p>					
Not Shown	NOTE	BEFORE 12/20/12		EA	
19	035883-000	KNOB,GRDL,PRO CR3	3	EA	
Not Shown	NOTE	AFTER 12/20/12		EA	
20	011717-000	TRIM ASM	1	EA	
21	PD010028	BOLT M4X5	8	EA	
22	PD010012	VALVE BOLT 1/4-20 UNC-2B 5/16" M.S.	7	EA	
NI	033879-000	VGCC548 SERVICE BLOWER KIT	1	EA	

DOUBLE GRIDDLE ASSEMBLY

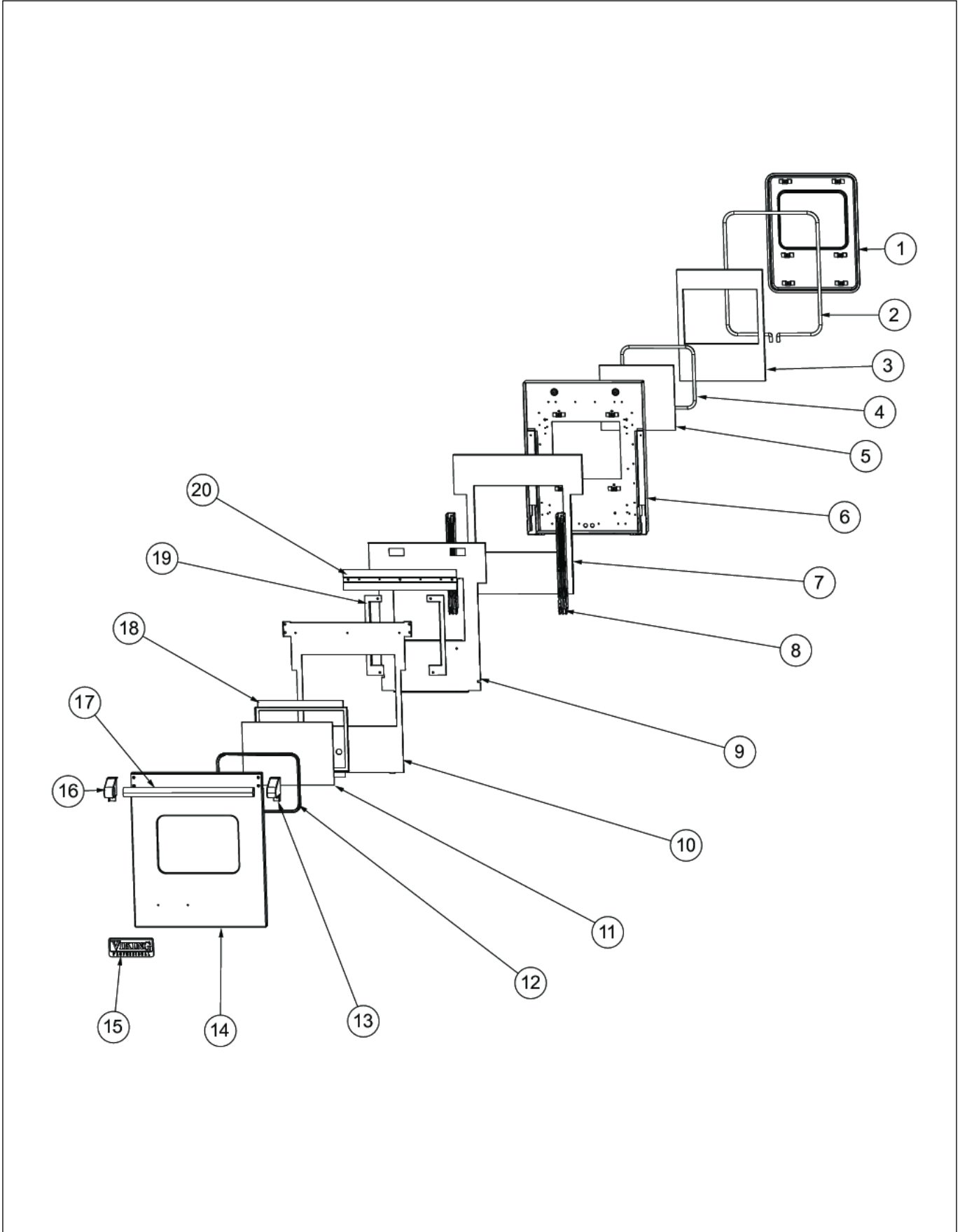




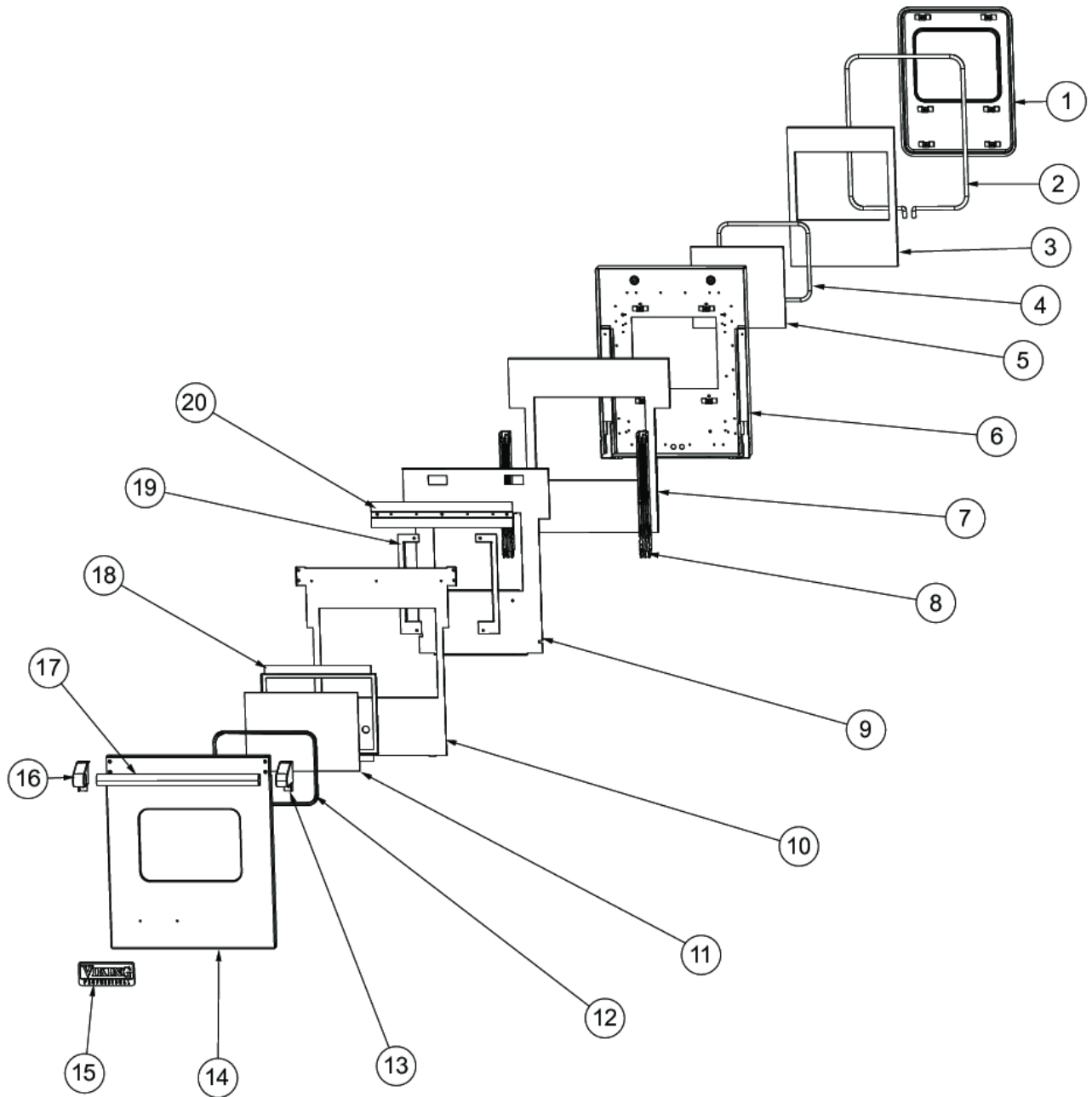


Item	Part No.	Name	Qty	Uom	NOTES
1	040248-000	24" GRIDDLE, ASM	1	EA	
2	025750-000	TROUGH, GRIDDLE, ASM, 24"	1	EA	
3	PA020028	SPARK IGNITER	2	EA	
4	013888-000	GRIDDLE, BURNER, ASM, NAT, W/IGNITOR BRACKET	2	EA	
4	013889-000	GRIDDLE, BURNER, ASM, LP, W/IGNITOR BRACKET	2	EA	
5	006785-000	GRIDDLE, BOX, VENTURI, COVER	2	EA	
6	016295-000	SIDE, GRILL BOX, RH	1	EA	
7	027489-000	SHIELD, WIRE	1	EA	
8	026113-000	GRIDDLE ORIFICE BRKT	1	EA	
9	PB020126	3/8" S.S. FLEX TUBING 15" (DGCU)	2	EA	
10	PB040190	90 DEGREE ORIFICE FITTING #50 NAT	2	EA	
10	002513-000	90 DEGREE ORIFICE FITTING #57 LP	2	EA	
11	PB040050	3/8CC MALE COMP. FITTING W/FERRULE	2	EA	
12	009112-000	VALVE, SOL, DOUBLE	1	EA	
13	026037-000	TUBING, GRIDDLE VALVE	1	EA	
14	PB040049	3/8 *BR* FERRULE (FOR 3/8CC FEMALE	2	EA	
15	PB040051	3/8CC FEMALE COMP. FITTING	2	EA	
16	016293-000	GRIDDLE SUPPORT, LEFT	1	EA	
17	PE050206	RTD THERMOSTAT PROBE	2	EA	
18	026114-000	GRIDDLE, BOX, BTM, 24"	1	EA	

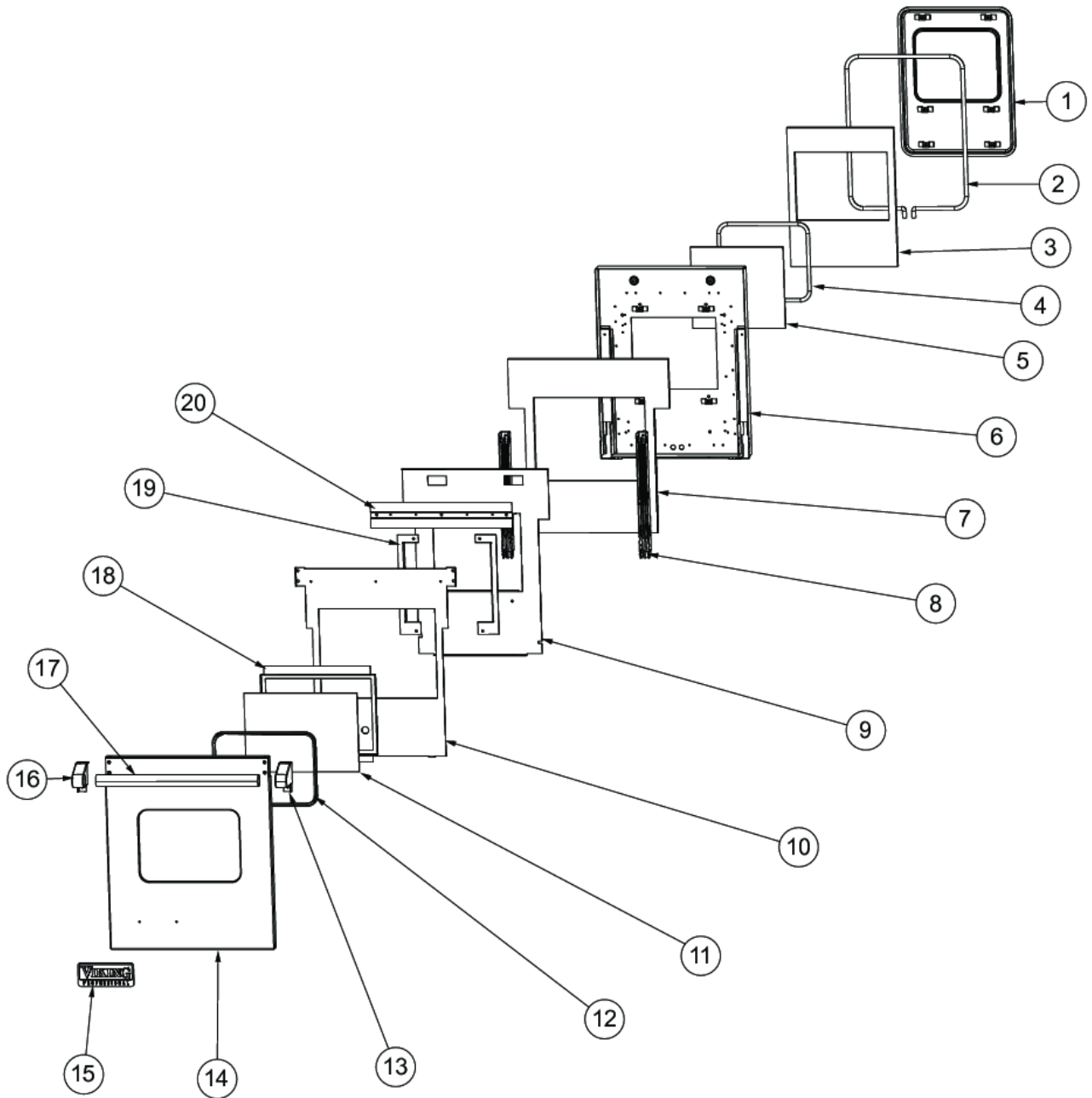
LH DOOR ASSEMBLY



Item	Part No.	Name	Qty	Uom	NOTES
1	001145-000	PLUG, DOOR, PORCELAIN, 48 LH (Before 12/20/2012)	1	EA	
Not Shown	NOTE	(BEFORE 12/20/12)		EA	
1	001145-402	PLUG, DOOR, PORCELAIN, 48 LH BK (After 12/20/2012)	1	EA	
Not Shown	NOTE	(ON OR AFTER 12/20/12)		EA	
2	000080-000	48" LH DOOR GASKET	1	EA	
3	PB070145	SUPERWOOL 5" X 24" X 3'	1	EA	
4	000594-000	BLACK FIBERGLASS ROPE 3/8	1	EA	
5	PE060032	GLASS (HEAT BARRIER) LH DF48DOOR	1	EA	
6	007221-000	LINER, DOOR, WELD ASM (Before 12/20/2012)	1	EA	
Not Shown	NOTE	(BEFORE 12/20/12)		EA	
6	007221-402	LINER, DOOR, WELD ASM (After 12/20/2012)	1	EA	
Not Shown	NOTE	(ON OR AFTER 12/20/12)		EA	
7	PB070145	SUPERWOOL 5" X 24" X 3'	1	EA	
8	013303-000	HINGE, DOOR, VR 18" YELLOW SPRING	2	EA	
9	007202-000	DOOR, INNER HEAT SINK, VGCC/SC 48" LH	1	EA	
10	007222-000	PANEL, INSL, DOORSKIN, VGSC 18"	1	EA	
11	PE060049	GLASS LH *TE* DF48DOOR	1	EA	
12	PE060046	J-MOLD LH SS (DF48 DOOR)	1	EA	
13	003012-000	DOOR HANDLE ENDCAP ASSY, RH (CHROME)	1	EA	
13	003012-100	DOOR HANDLE ENDCAP ASSY, RH (BRASS) - NLA	1	EA	
14	019975-000	48" DOOR SKIN SRV KIT LH	1	EA	
14	020038-002	LH DOOR SKIN KIT SRV, VGSC548 BK	1	EA	
14	020038-003	LH DOOR SKIN KIT SRV, VGSC548 BT	1	EA	
14	020038-004	LH DOOR SKIN KIT SRV, VGSC548 SG	1	EA	



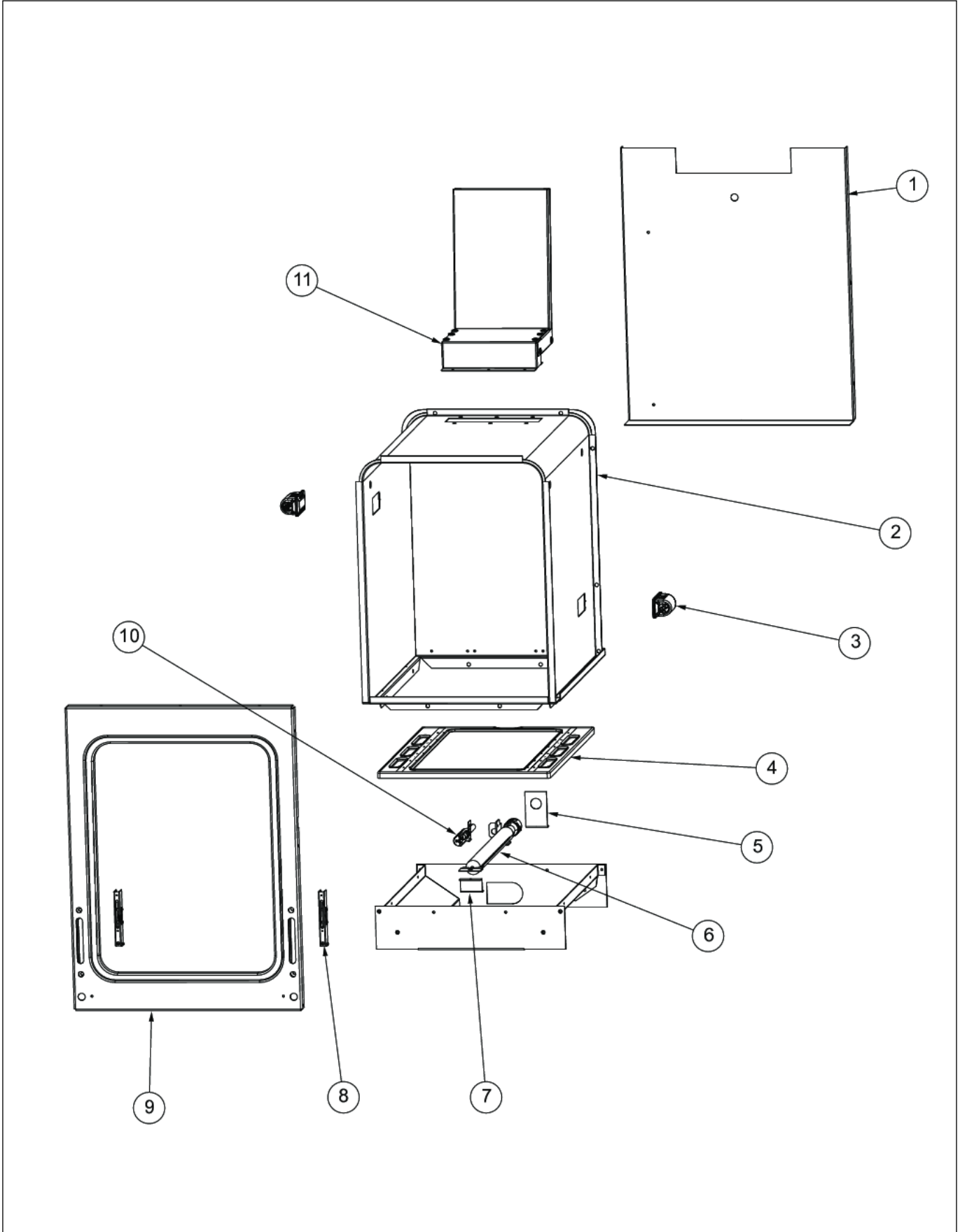
Item	Part No.	Name	Qty	Uom	NOTES
14	020038-005	LH DOOR SKIN KIT SRV, VGSC548 GG	1	EA	
14	020038-006	LH DOOR SKIN KIT SRV, VGSC548 WH	1	EA	
14	020038-008	LH DOOR SKIN KIT SRV, VGSC548 BU	1	EA	
14	020038-009	LH DOOR SKIN KIT SRV, VGSC548 LE	1	EA	
14	020038-010	LH DOOR SKIN KIT SRV, VGSC548 MJ	1	EA	
14	020038-012	LH DOOR SKIN KIT SRV, VGSC548 VB	1	EA	
14	020038-013	LH DOOR SKIN KIT SRV, VGSC548 CB	1	EA	
14	020038-015	LH DOOR SKIN KIT SRV, VGSC548 PL	1	EA	
14	020038-016	LH DOOR SKIN KIT SRV, VGSC548 CH	1	EA	
14	020038-017	LH DOOR SKIN KIT SRV, VGSC548 TP	1	EA	
14	020038-018	LH DOOR SKIN KIT SRV, VGSC548 CW NLA	1	EA	
14	020038-019	LH DOOR SKIN KIT SRV, VGSC548 OG	1	EA	
14	020038-020	LH DOOR SKIN KIT SRV, VGSC548 GM	1	EA	
14	020038-021	LH DOOR SKIN KIT SRV, VGSC548 SA	1	EA	
14	020038-022	LH DOOR SKIN KIT SRV, VGSC548 SE	1	EA	
14	020038-023	LH DOOR SKIN KIT SRV, VGSC548 IB	1	EA	
14	020038-024	LH DOOR SKIN KIT SRV, VGSC548 AR	1	EA	
14	020038-025	LH DOOR SKIN KIT SRV, VGSC548 RR	1	EA	Not available online / Call for pricing and availability
14	020038-026	LH DOOR SKIN KIT SRV, VGSC548 PM	1	EA	
14	020038-027	LH DOOR SKIN KIT SRV, VGSC548 MS	1	EA	
15	PE010030	LOGO	1	EA	
15	PE010068	LOGO 6" (VGRC) BK/BR	1	EA	





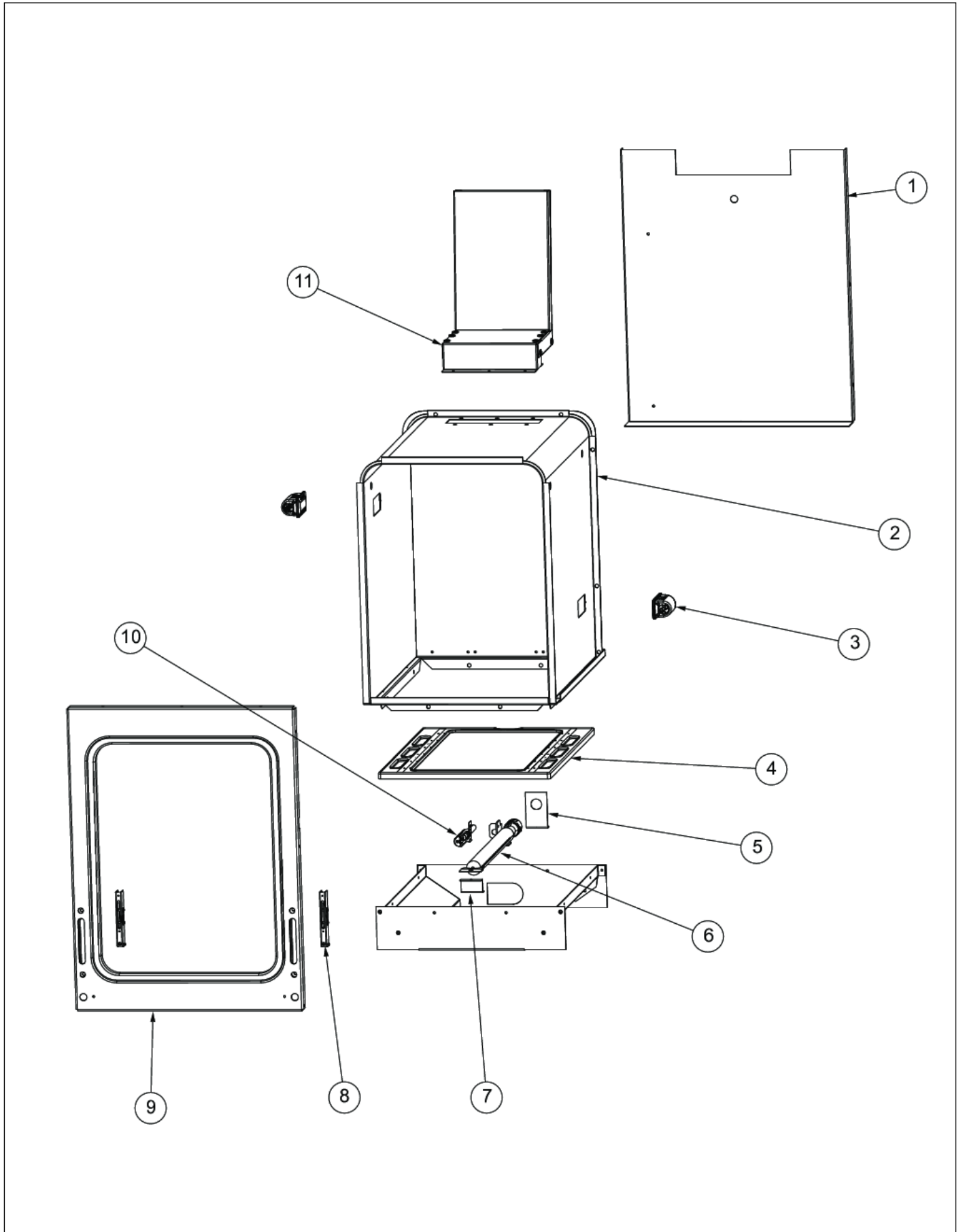
Item	Part No.	Name	Qty	Uom	NOTES
16	003011-000	DOOR HANDLE ENDCAP ASSY, LH (CHROME)	1	EA	
16	003011-100	DOOR HANDLE ENDCAP ASSY, LH (BRASS)	1	EA	
17	006221-000	18" DOOR HANDLE, SST	1	EA	
18	008336-000	FRAME, GL	1	EA	
19	009830-000	RETAINER, INSL, LH	2	EA	
20	006225-000	BRACKET, DOOR, ASM	1	EA	

LH OVEN CAVITY





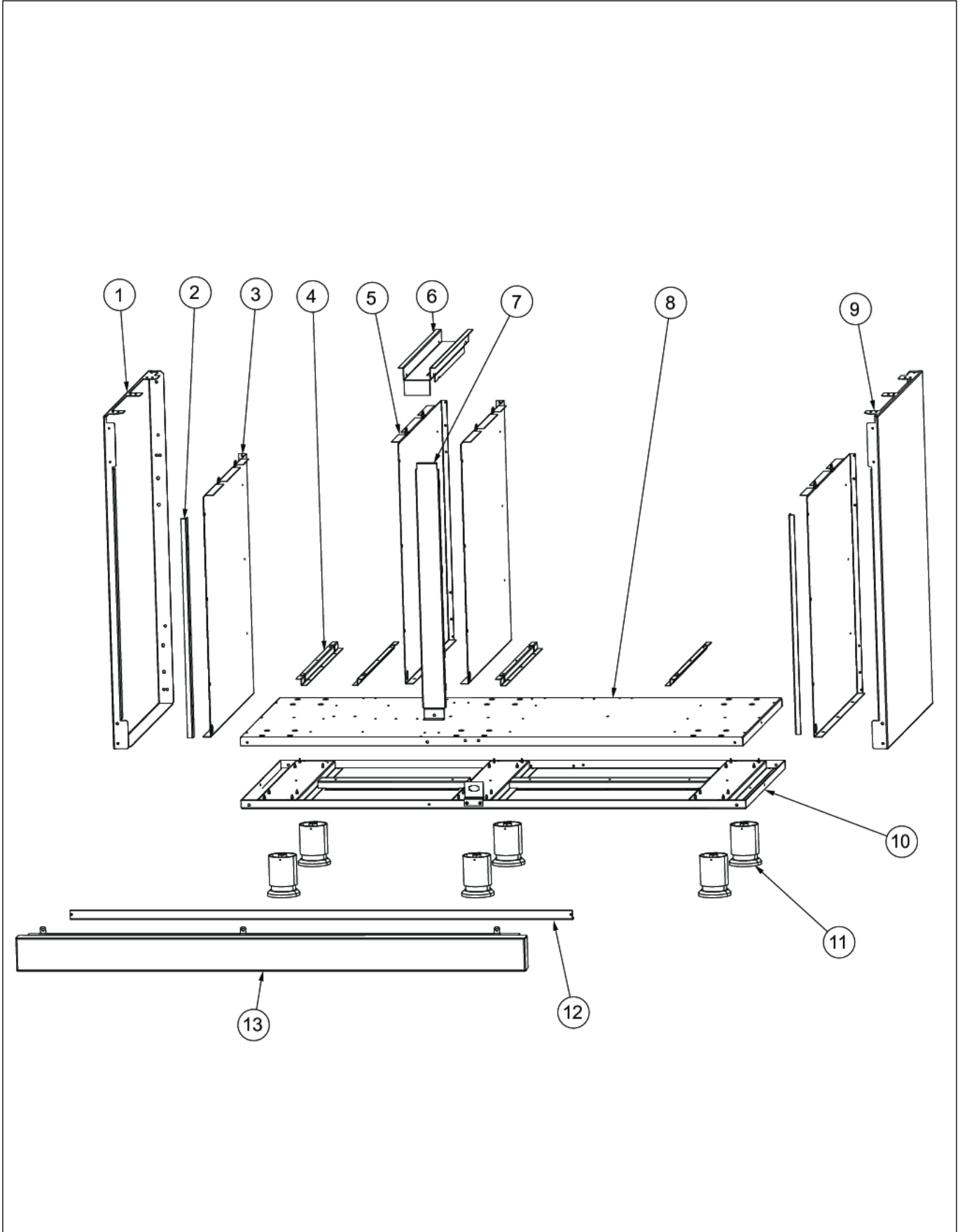
Item	Part No.	Name	Qty	Uom	NOTES
1	007705-000	COVER, INSIDE BACK, VGSC 18"	1	EA	
2	UNSERVICEABLE	OVEN CAVITY, 48 LH PORC ASM	1	EA	
3	005311-000	LAMP, OVEN, 120V/25W	2	EA	
4	068457-000	ASM, BOTTOM, CAVITY OVEN GAS 18" GRAY	1	EA	
Not Shown	NOTE	(INCLUDES HEAT SHIELD)		EA	
5	005529-000	BAKE ORIFICE MOUNTING BRACKET	1	EA	
Not Shown	NOTE	(BEFORE 2/11/13)		EA	
5	040736-000	BRKT, ORF	1	EA	
Not Shown	NOTE	(ON OR AFTER 2/11/13)		EA	
6	009225-000	BURNER ASM, NAT.	1	EA	
6	009464-000	BURNER ASM, LP	1	EA	
7	B2004415	BURNER BRACKET (VGSC306)	1	EA	
8	003060-000	HINGE RECEPTACLE	2	EA	
9	023093-000	FRONT FRAME, ASSY	1	EA	
10	PB040170	BAKE IGNITION ELECTRODE	1	EA	
11	006192-000	VENT, ASM, OVEN ASSEMBLY	1	EA	
NI	PB040034	ORIFICE HOOD-#50 (NAT)	1	EA	
NI	PB040036	ORIFICE HOOD-#57 (LP)	1	EA	
NI	007278-000	ARM HINGE CLIP	2	EA	
Not Shown	NOTE	(BEFORE 01/02/13)		EA	
NI	049718-402	CLIP, RETAINER, HINGE, GLOSS BLACK ENAMEL	2	EA	
Not Shown	NOTE	(AFTER 01/02/13)		EA	
NI	PB060030	RACK SUPT REPL PB060010	2	EA	
Not Shown	NOTE	BEFORE 12/20/12		EA	
NI	066225-402	SUPPORT, RACK D3	2	EA	
Not Shown	NOTE	ON OR AFTER 12/20/12		EA	



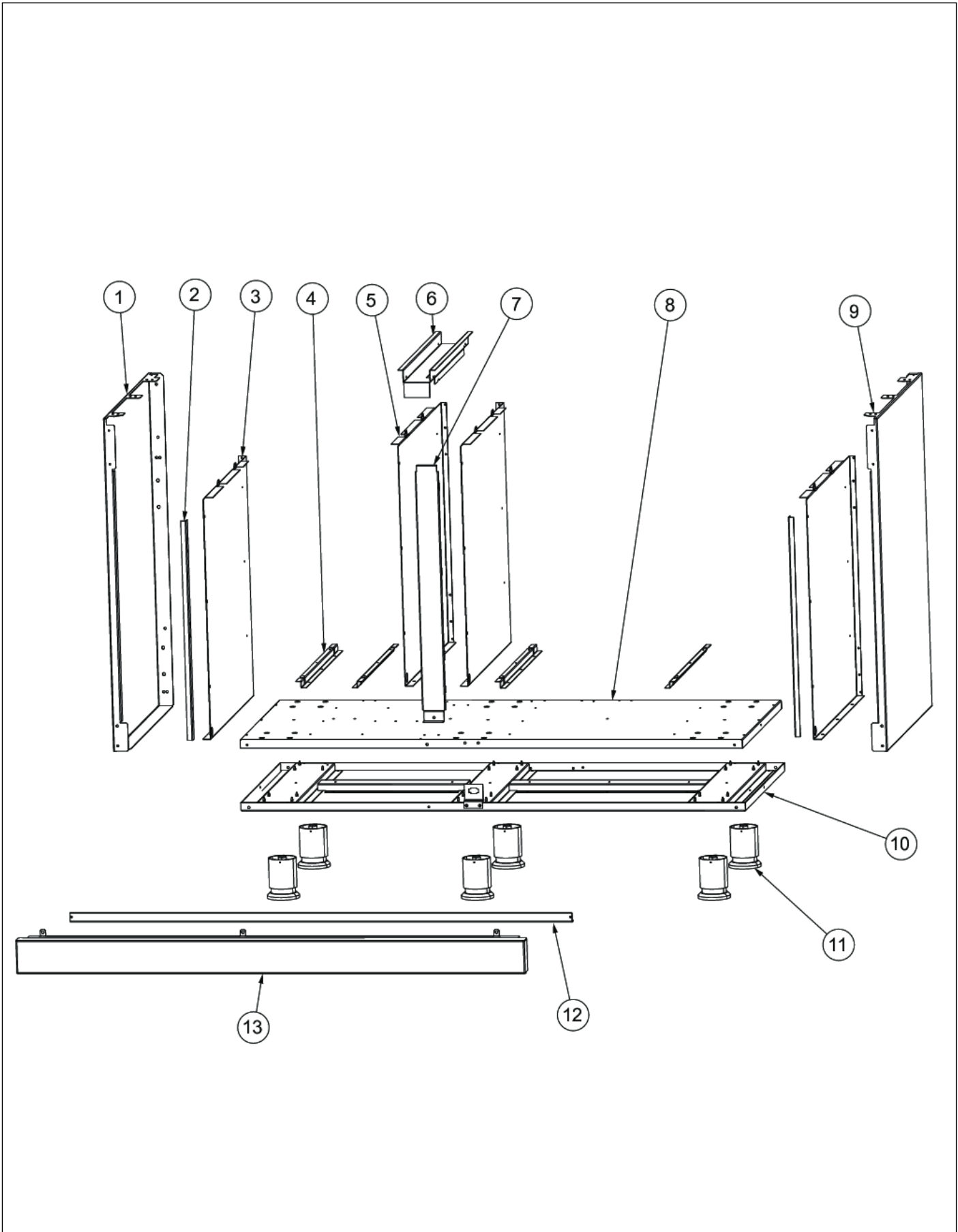


Item	Part No.	Name	Qty	Uom	NOTES
NI	PB060046	OVEN RK VDSC48-LH REPL PB060023	2	EA	
Not Shown	NOTE	BEFORE 12/20/12		EA	
NI	040963-000	RACK, PRO, 18"	2	EA	
Not Shown	NOTE	ON OR AFTER 12/20/12		EA	

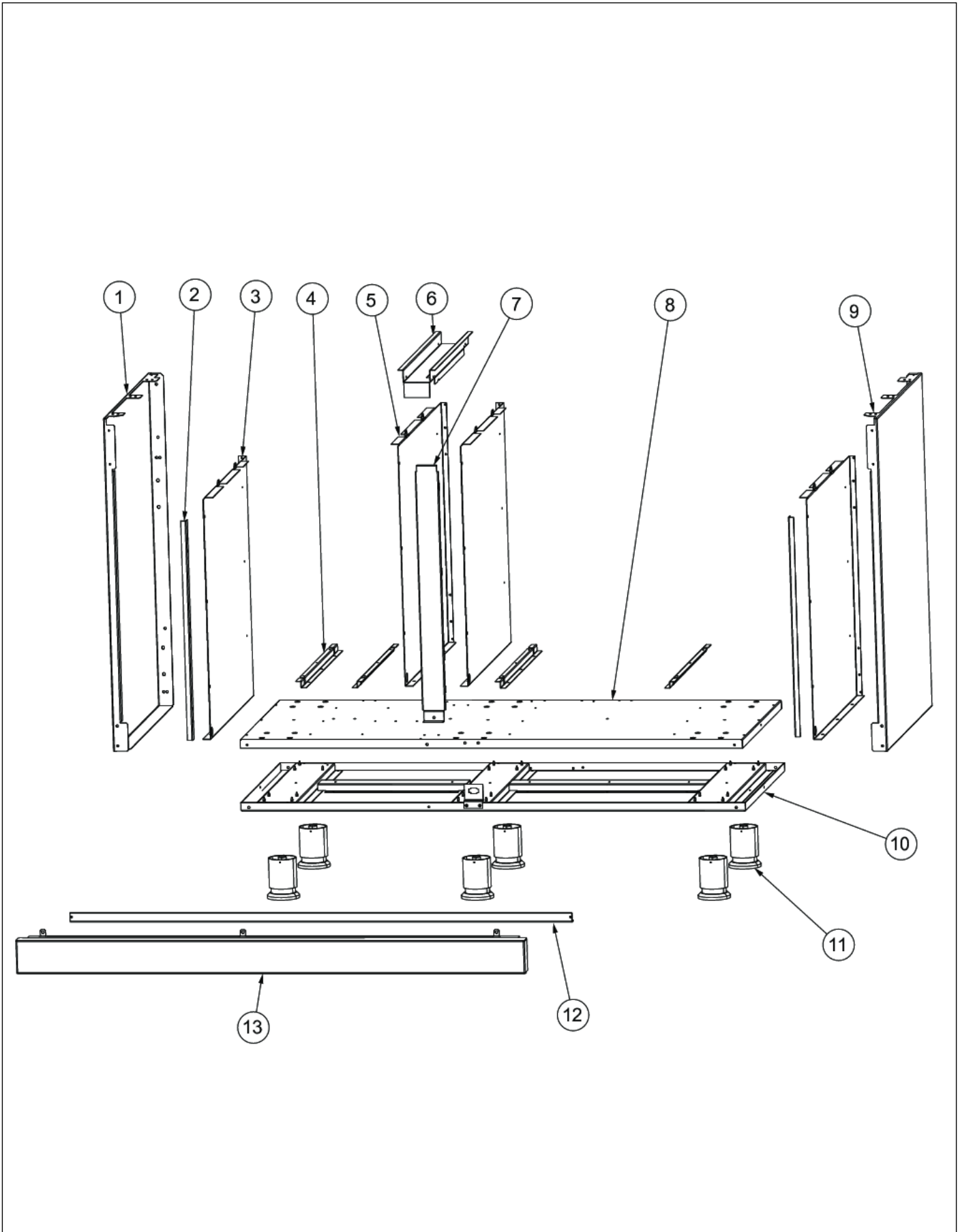
LOWER UNIT AND SIDE PANEL



Item	Part No.	Name	Qty	Uom	NOTES
1	003588-000	SIDE PANEL, LH	1	EA	
Not Shown	NOTE	(BEFORE 06/13/12)		EA	
1	019123-000	PANEL, SIDE, LEFT	1	EA	
Not Shown	NOTE	(ON OR AFTER 06/13/12)		EA	
1	005505-002	SIDE PANEL, LH BK	1	EA	
Not Shown	NOTE	(BEFORE 06/13/12)		EA	
1	021310-002	PANEL, SIDE, LH BK	1	EA	
Not Shown	NOTE	(ON OR AFTER 06/13/12)		EA	
1	005505-005	INSULATION, PNL, SIDE, LH - GG	1	EA	Not available online / Call for pricing and availability
Not Shown	NOTE	(BEFORE 06/13/12)		EA	
1	021310-005	PANEL, SIDE, LH GG	1	EA	
Not Shown	NOTE	(ON OR AFTER 06/13/12)		EA	
1	005505-006	INSULATION, PNL, SIDE, LH - WH	1	EA	
Not Shown	NOTE	(BEFORE 06/13/12)		EA	
1	021310-006	PANEL, SIDE, LH WH	1	EA	Not available online / Call for pricing and availability
Not Shown	NOTE	(ON OR AFTER 06/13/12)		EA	
1	005505-008	INSULATION, PNL, SIDE, LH - BU	1	EA	
Not Shown	NOTE	(BEFORE 06/13/12)		EA	
1	021310-008	PANEL, SIDE, LH BU	1	EA	
Not Shown	NOTE	(ON OR AFTER 06/13/12)		EA	
1	005505-013	INSULATION, PNL, SIDE, LH - CB	1	EA	
Not Shown	NOTE	(BEFORE 06/13/12)		EA	
1	021310-013	PANEL, SIDE, LH CB	1	EA	



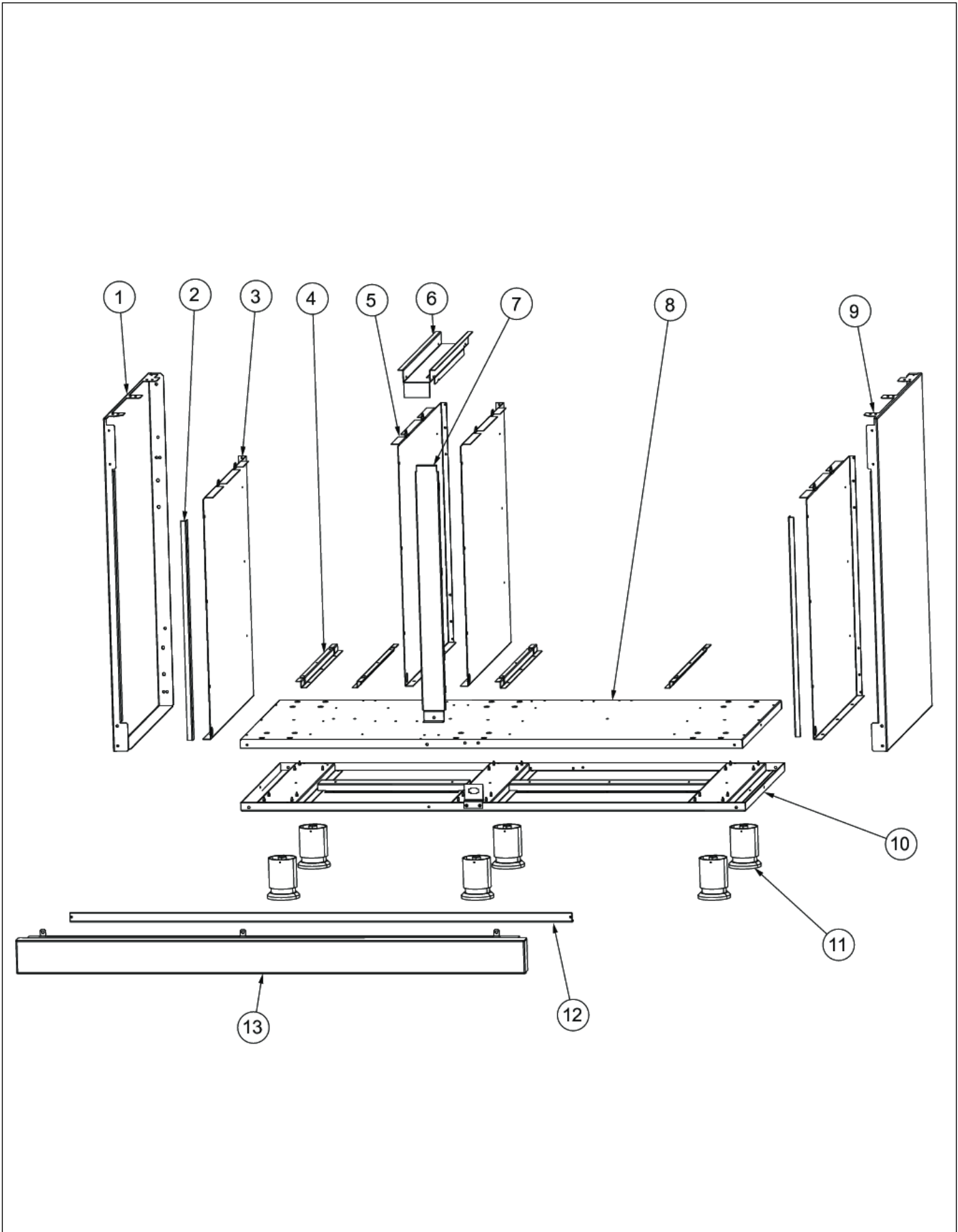
Item	Part No.	Name	Qty	Uom	NOTES
Not Shown	NOTE	(ON OR AFTER 06/13/12)		EA	
1	005505-024	INSULATION, PNL, SIDE, LH - AR	1	EA	
Not Shown	NOTE	(BEFORE 06/13/12)		EA	
1	021310-024	PANEL, SIDE, LH AR	1	EA	
Not Shown	NOTE	(ON OR AFTER 06/13/12)		EA	
2	005536-000	TRIM	2	EA	
3	004482-000	INSULATION, PNL, SIDE, LH	2	EA	
4	A2004429	OVEN BOTTOM INSUL. BRACE (VGSC306)	4	EA	
5	004479-000	INSULATION, PNL, SIDE, RH	2	EA	
6	008638-000	OVEN DIVIDER	1	EA	
7	009820-000	TRIM, CTR, GAS 48" ASM	1	EA	
8	007193-000	BASE TOP PLATE	1	EA	
9	002905-000	SIDE PANEL, RH	1	EA	
Not Shown	NOTE	(BEFORE 06/13/12)		EA	
9	019124-000	PANEL, SIDE, RIGHT	1	EA	
Not Shown	NOTE	(ON OR AFTER 06/13/12)		EA	
9	004645-002	SIDE PANEL, RH,-BK	1	EA	
Not Shown	NOTE	(BEFORE 06/13/12)		EA	
9	021309-002	PANEL, SIDE, RH BK	1	EA	
Not Shown	NOTE	(ON OR AFTER 06/13/12)		EA	
9	004645-005	SIDE PANEL, RH,-GG	1	EA	
Not Shown	NOTE	(BEFORE 06/13/12)		EA	
9	021309-005	PANEL, SIDE, RH GG	1	EA	
Not Shown	NOTE	(ON OR AFTER 06/13/12)		EA	
9	004645-006	SIDE PANEL, RH,-WH	1	EA	
Not Shown	NOTE	(BEFORE 06/13/12)		EA	





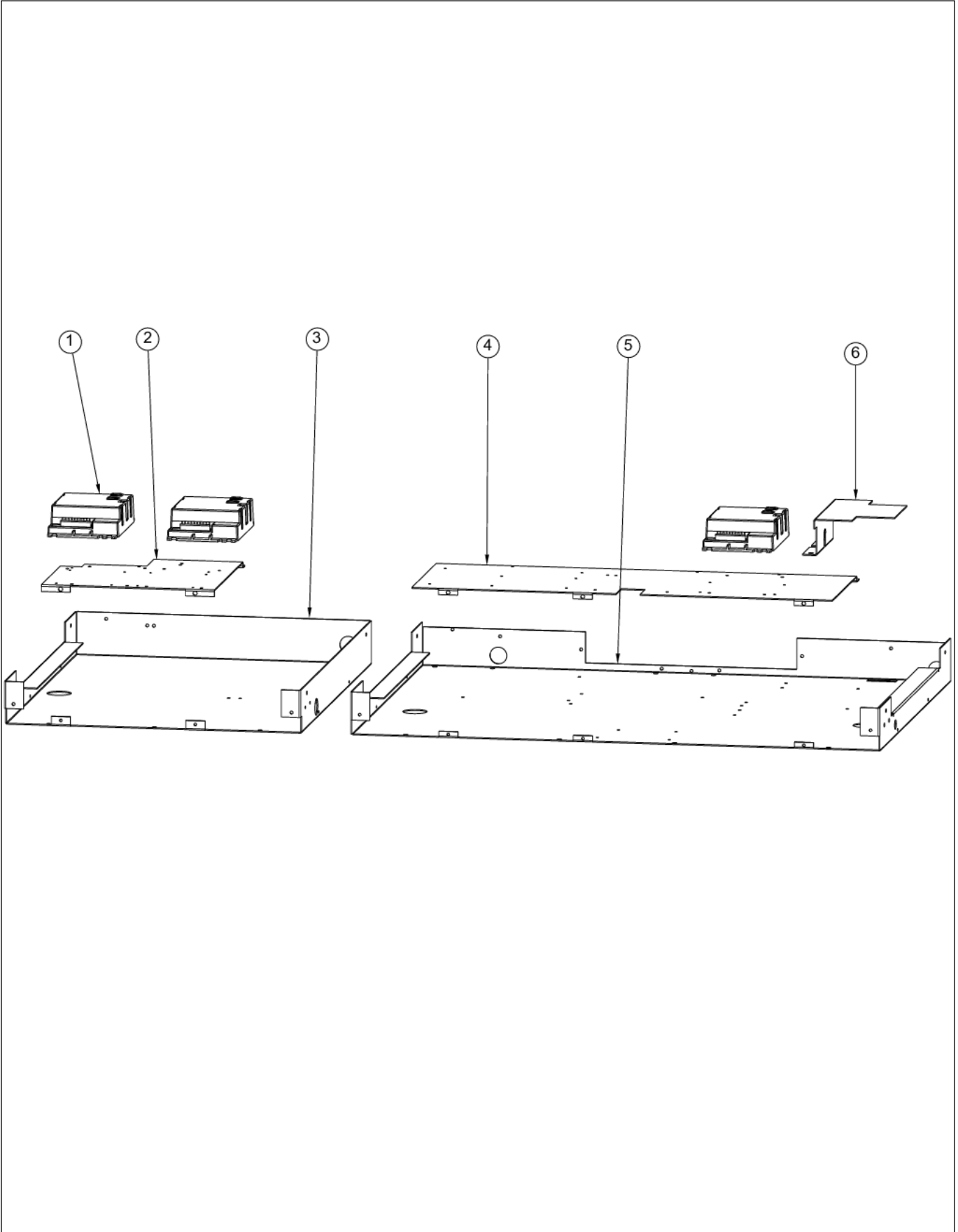


Item	Part No.	Name	Qty	Uom	NOTES
9	021309-006	PANEL, SIDE, RH WH	1	EA	Not available online / Call for pricing and availability
Not Shown	NOTE	(ON OR AFTER 06/13/12)		EA	
9	004645-008	SIDE PANEL, RH,-BU	1	EA	
Not Shown	NOTE	(BEFORE 06/13/12)		EA	
9	021309-008	PANEL, SIDE, RH BU	1	EA	
Not Shown	NOTE	(ON OR AFTER 06/13/12)		EA	
9	004645-013	SIDE PANEL, RH,-CB	1	EA	
Not Shown	NOTE	(ON OR AFTER 06/13/12)		EA	
9	021309-013	PANEL, SIDE, RH CB	1	EA	
Not Shown	NOTE	(ON OR AFTER 06/13/12)		EA	
9	004645-024	SIDE PANEL, RH,-AR	1	EA	
Not Shown	NOTE	(BEFORE 06/13/12)		EA	
9	021309-024	PANEL, SIDE, RH AR	1	EA	
Not Shown	NOTE	(ON OR AFTER 06/13/12)		EA	
10	007198-000	BASE ASSEMBLY, VGCC/SC548	1	EA	
11	044178-000	RANGE, LEG, ADJUSTABLE	6	EA	
12	009280-000	SPACER, BOT, 48" GAS RANGES	1	EA	
13	009568-000	KICKPLATE, RNG, SST, VDSC 48"	1	EA	
Not Shown	NOTE	(BEFORE 06/14/12)		EA	
13	035828-000	KICKPLATE, 60, GAS SST	1	EA	
Not Shown	NOTE	(FROM 06/14/12 THRU 06/14/13)		EA	
13	038605-000	KICKPLATE, RNG	1	EA	
Not Shown	NOTE	(ON OR AFTER 06/14/13)		EA	
13	009630-002	KICKPLATE, RNG, BK	1	EA	



Item	Part No.	Name	Qty	Uom	NOTES
Not Shown	NOTE	(BEFORE 06/14/13)		EA	
13	038606-002	KICKPLATE, RNG, DCBZ BK	1	EA	
Not Shown	NOTE	(ON OR AFTER 06/14/13)		EA	
13	009630-005	KICKPLATE, RNG - GG	1	EA	
Not Shown	NOTE	(BEFORE 06/14/13)		EA	
13	038606-005	KICKPLATE, RNG, DCBZ GG	1	EA	
Not Shown	NOTE	(ON OR AFTER 06/14/13)		EA	
13	009630-006	KICKPLATE, RANGE - WH	1	EA	
Not Shown	NOTE	(BEFORE 06/14/13)		EA	
13	038606-006	KICKPLATE, RNG, DCBZ WH	1	EA	
Not Shown	NOTE	(ON OR AFTER 06/14/13)		EA	
13	009630-008	KICKPLATE, VGSC548, BU	1	EA	
Not Shown	NOTE	(BEFORE 06/14/13)		EA	
13	038606-008	KICKPLATE, RNG, DCBZ BU	1	EA	
Not Shown	NOTE	(ON OR AFTER 06/14/13)		EA	
13	009630-013	KICKPLATE, RNG CB	1	EA	
Not Shown	NOTE	(BEFORE 06/14/13)		EA	
13	038606-013	KICKPLATE, RNG, DCBZ CB	1	EA	
Not Shown	NOTE	(ON OR AFTER 06/14/13)		EA	
13	009630-024	KICKPLATE, RANGE - AR	1	EA	
Not Shown	NOTE	(BEFORE 06/14/13)		EA	
13	038606-024	KICKPLATE, RNG, DCBZ AR	1	EA	
Not Shown	NOTE	(ON OR AFTER 06/14/13)		EA	

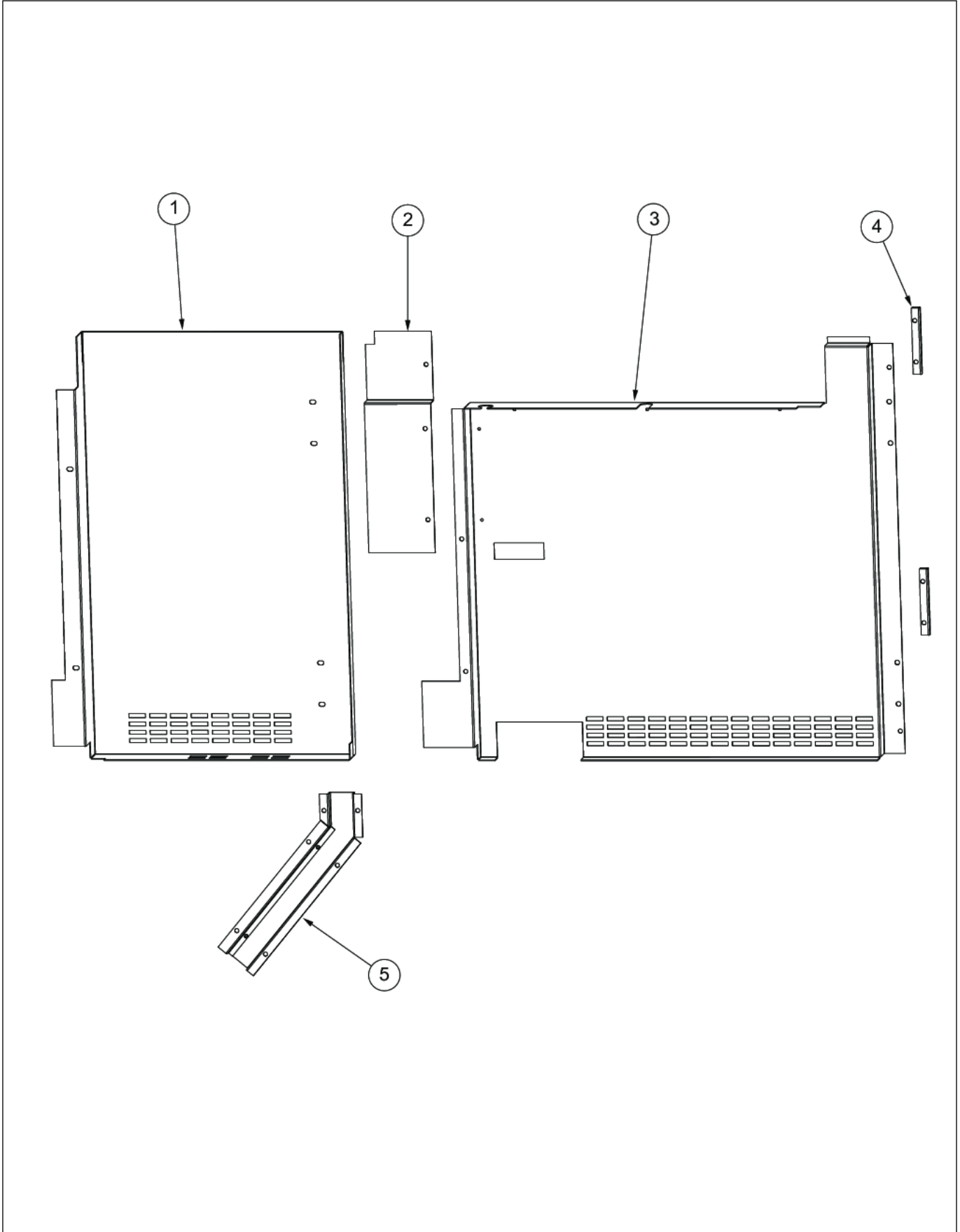
OVEN ELECTRONICS





Item	Part No.	Name	Qty	Uom	NOTES
1	023651-000	DSI120-2-LVS	3	EA	
2	008011-000	36" ELECTRONIC PLATE	1	EA	
3	007374-000	TOP, LH CAB, VGSC 48"	1	EA	
4	005315-000	TRAY, ELEX, 30", GSC	1	EA	
5	004628-000	TOP, CAB	1	EA	
6	010251-000	COVER, SOL	1	EA	
NI	030567-000	FAN,BLOW,ASM 120V (51480)	1	EA	
NI	PE050208	DOOR SWITCH	2	EA	

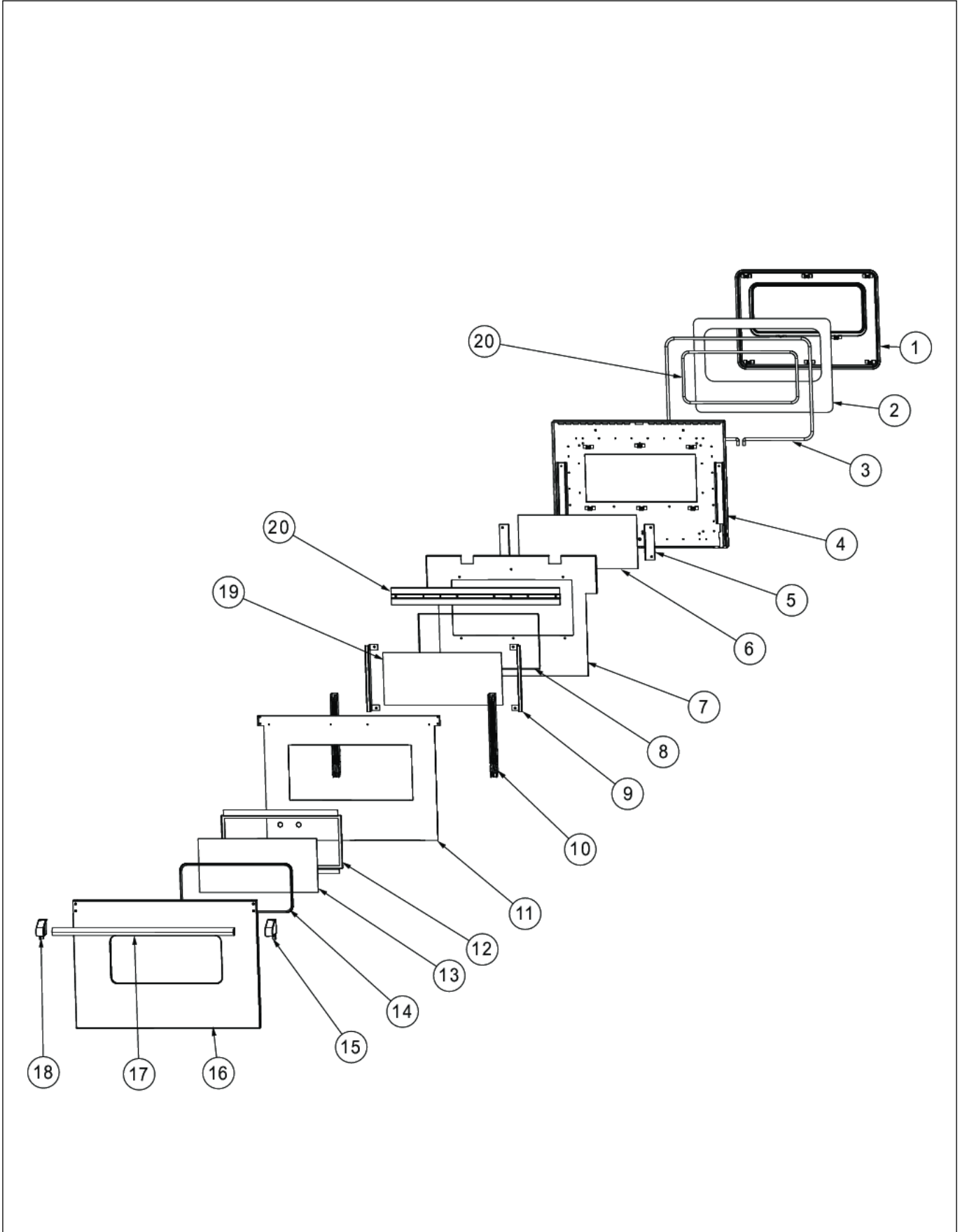
REAR SHEET METAL





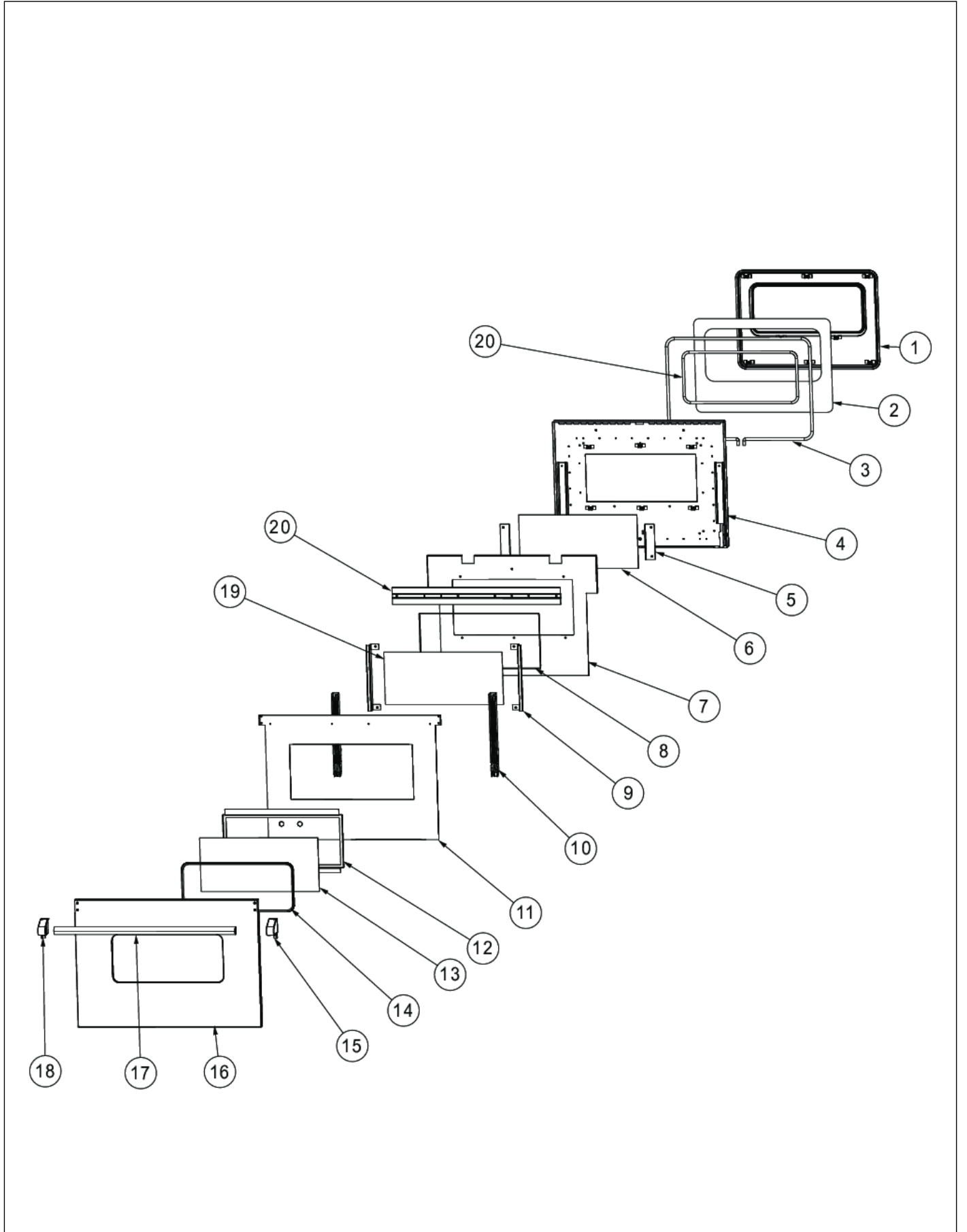
Item	Part No.	Name	Qty	Uom	NOTES
1	007701-000	COVER, 18" BACK VGSC	1	EA	
2	006962-000	COVER, INL, BACK	1	EA	
3	032123-000	CABINET, BACK	1	EA	
4	006744-000	STANDOFF, CAB, VGSC	2	EA	Not available online / Call for pricing and availability
5	006949-000	DUCT, AIR, ASM	1	EA	
NI	A2002654	ANTI-TIP DEVICE (VDSC)	1	EA	
NI	034927-000	BRACKET, ANTI-TIP	1	EA	
NI	034928-000	BRACKET, HOOK, ANTI-TIP	1	EA	

RH DOOR ASSEMBLY

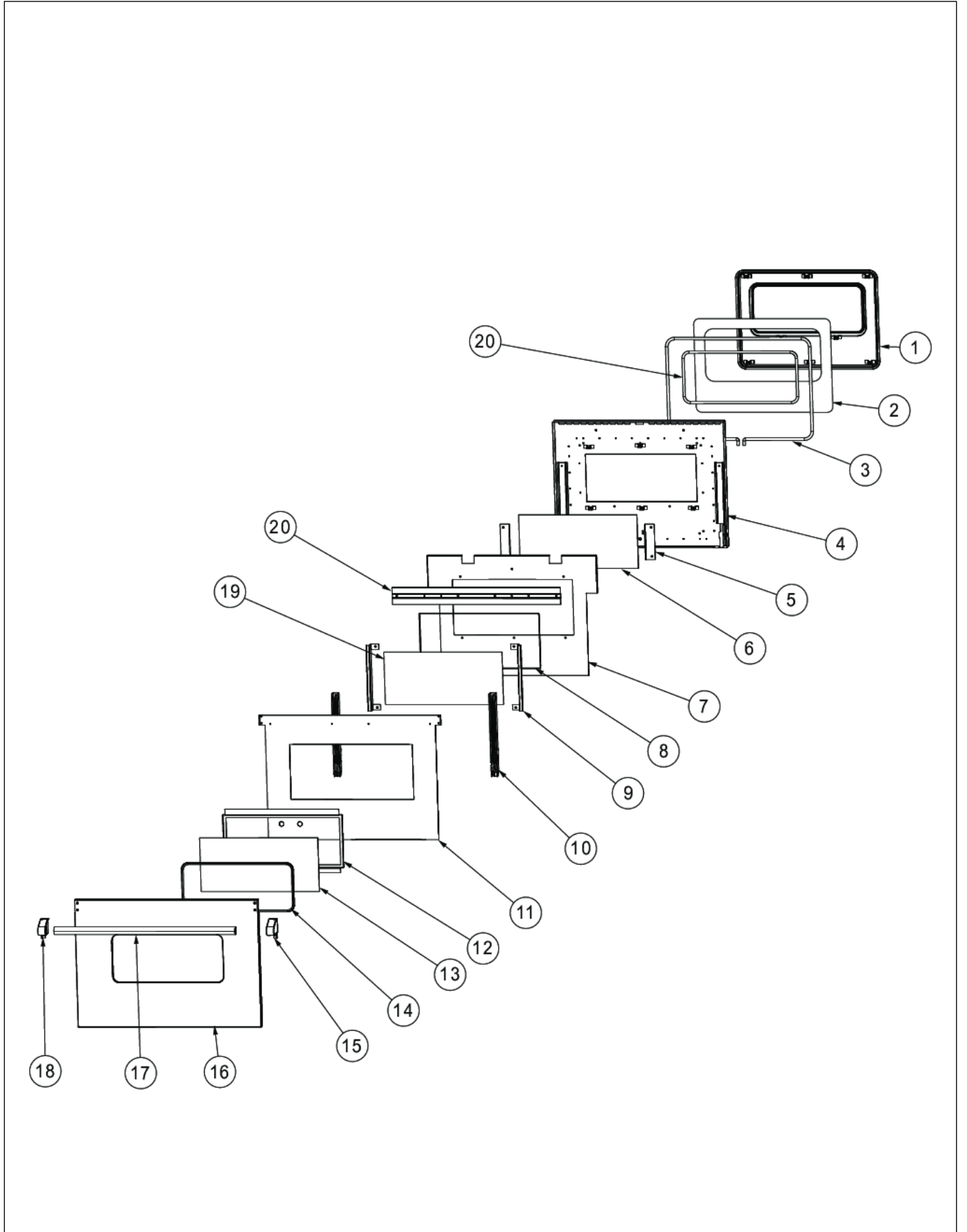




Item	Part No.	Name	Qty	Uom	NOTES
1	001142-000	PLUG, DOOR, ASM, PORCELAIN	1	EA	
Comments for Part Num. 001142-000  bradleysapplianceservice@shaw.ca on Nov 2, 2015 001142-000 PLUG, DOOR, ASM, PORCELAIN (GREY WITH WHITE SPECS) OLD STYLE 001142-402 PLUG, DOOR, ASM, PORCELAIN BK (BLACK LINER) NEW STYLE					
Not Shown	NOTE	(BEFORE 12/20/12)		EA	
1	001142-402	PLUG, DOOR, ASM, PORCELAIN BK	1	EA	
Not Shown	NOTE	(ON OR AFTER 12/20/12)		EA	
2	002560-000	DOOR PLUG INSULATION	1	EA	
3	000042-000	30" DOOR GASKET	1	EA	
4	004691-000	DOOR LINER ASSY	1	EA	
Comments for Part Num. 004691-000  profixappliances@gmail.com on Dec 29, 2017 004691-000 IS SPECKLED FINISH, FOR ALL BLACK FINISH ORDER 004691-402.					
Not Shown	NOTE	(BEFORE 12/20/12)		EA	
4	004691-402	LINER, DOOR ASM, BK PORC	1	EA	
Not Shown	NOTE	(ON OR AFTER 12/20/12)		EA	
5	A2002189	DOOR GLASS STANDOFF (VDSC)	2	EA	
6	PE060039	GLASS-HEAT TREATED (HB2) VDSC	1	EA	
7	004688-000	DOOR PANEL INSULATION LINER	1	EA	
8	007583-000	BRACKET, GLASS	1	EA	
9	004687-000	WDO BRACKET	1	EA	
10	002740-000	DOOR HINGE	2	EA	See TC-0121- SP Service Bulletin
11	004684-000	PANEL, DOOR, INSULATION, GSC	1	EA	
12	008097-000	FRAME, GLASS, ALUMINUM	1	EA	



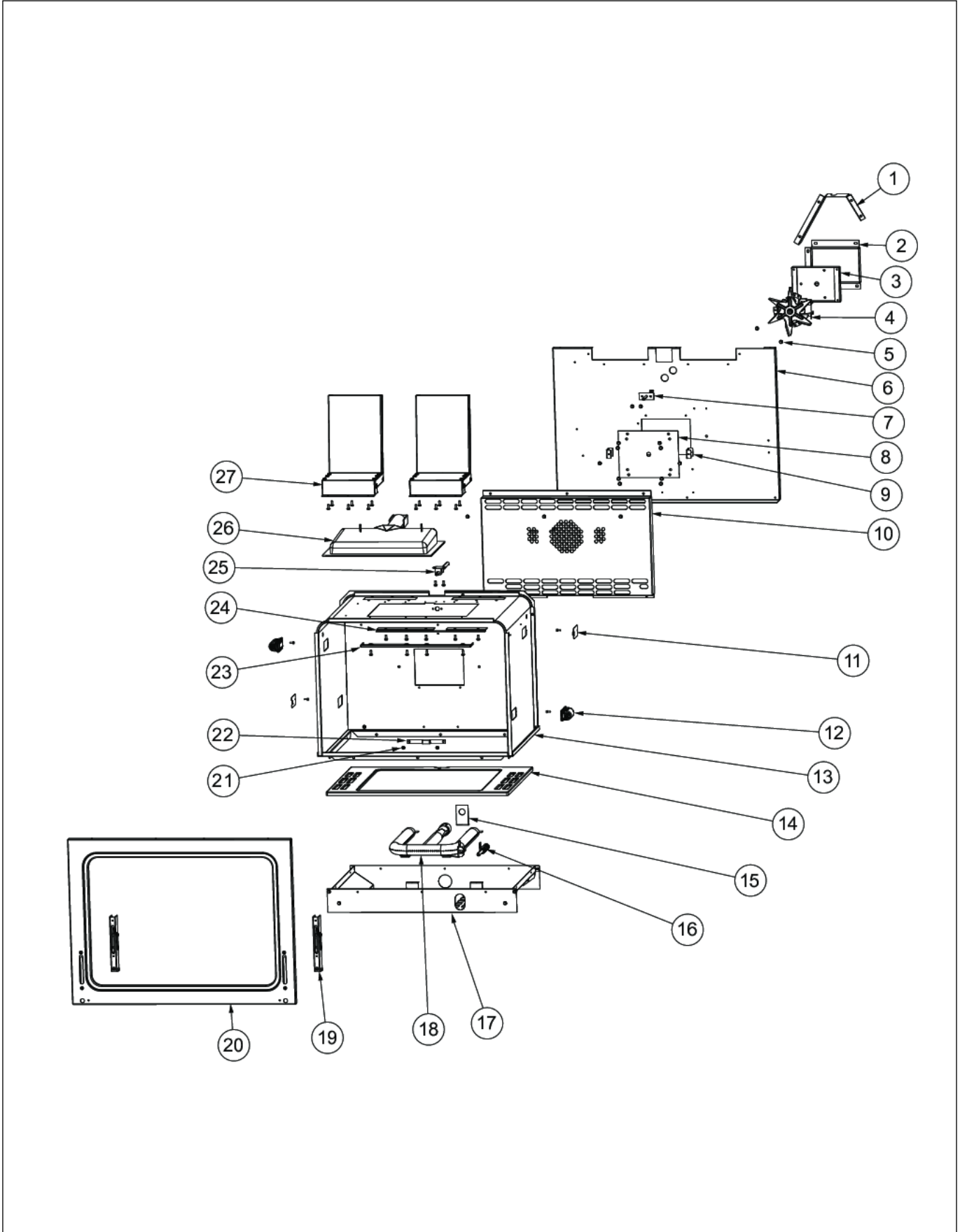
Item	Part No.	Name	Qty	Uom	NOTES
13	PE060030	OUTER DOOR GLASS	1	EA	
14	PE060031	J-MOLD (LARGE WINDOW)	1	EA	
15	003012-000	DOOR HANDLE ENDCAP ASSY, RH (CHROME)	1	EA	
15	003012-100	DOOR HANDLE ENDCAP ASSY, RH (BRASS) - NLA	1	EA	
16	023649-000	48" DOOR SKIN SRV KIT, RH SS	1	EA	
16	020032-003	48" DOOR SKIN SRV KIT, RH BT	1	EA	
16	020032-004	48" DOOR SKIN SRV KIT, RH SG	1	EA	
16	020032-005	48" DOOR SKIN SRV KIT, RH GG	1	EA	
16	020032-006	48" DOOR SKIN SRV KIT, RH WH	1	EA	
16	020032-008	48" DOOR SKIN SRV KIT, RH BU	1	EA	
16	020032-009	48" DOOR SKIN SRV KIT, RH LE	1	EA	
16	020032-010	48" DOOR SKIN SRV KIT, RH MJ	1	EA	
16	020032-012	48" DOOR SKIN SRV KIT, RH VB	1	EA	
16	020032-013	48" DOOR SKIN SRV KIT, RH CB	1	EA	
16	020032-015	48" DOOR SKIN SRV KIT, RH PL	1	EA	
16	020032-016	48" DOOR SKIN SRV KIT, RH CH	1	EA	
16	020032-017	48" DOOR SKIN SRV KIT, RH TP	1	EA	
16	020032-018	48" DOOR SKIN SRV KIT, RH CW NLA	1	EA	
16	020032-019	48" DOOR SKIN SRV KIT, RH OG	1	EA	
16	020032-020	48" DOOR SKIN SRV KIT, RH GM	1	EA	
16	020032-021	48" DOOR SKIN SRV KIT, RH SA	1	EA	
16	020032-022	48" DOOR SKIN SRV KIT, RH SE	1	EA	
16	020032-023	48" DOOR SKIN SRV KIT, RH IB	1	EA	
16	020032-024	48" DOOR SKIN SRV KIT, RH AR	1	EA	



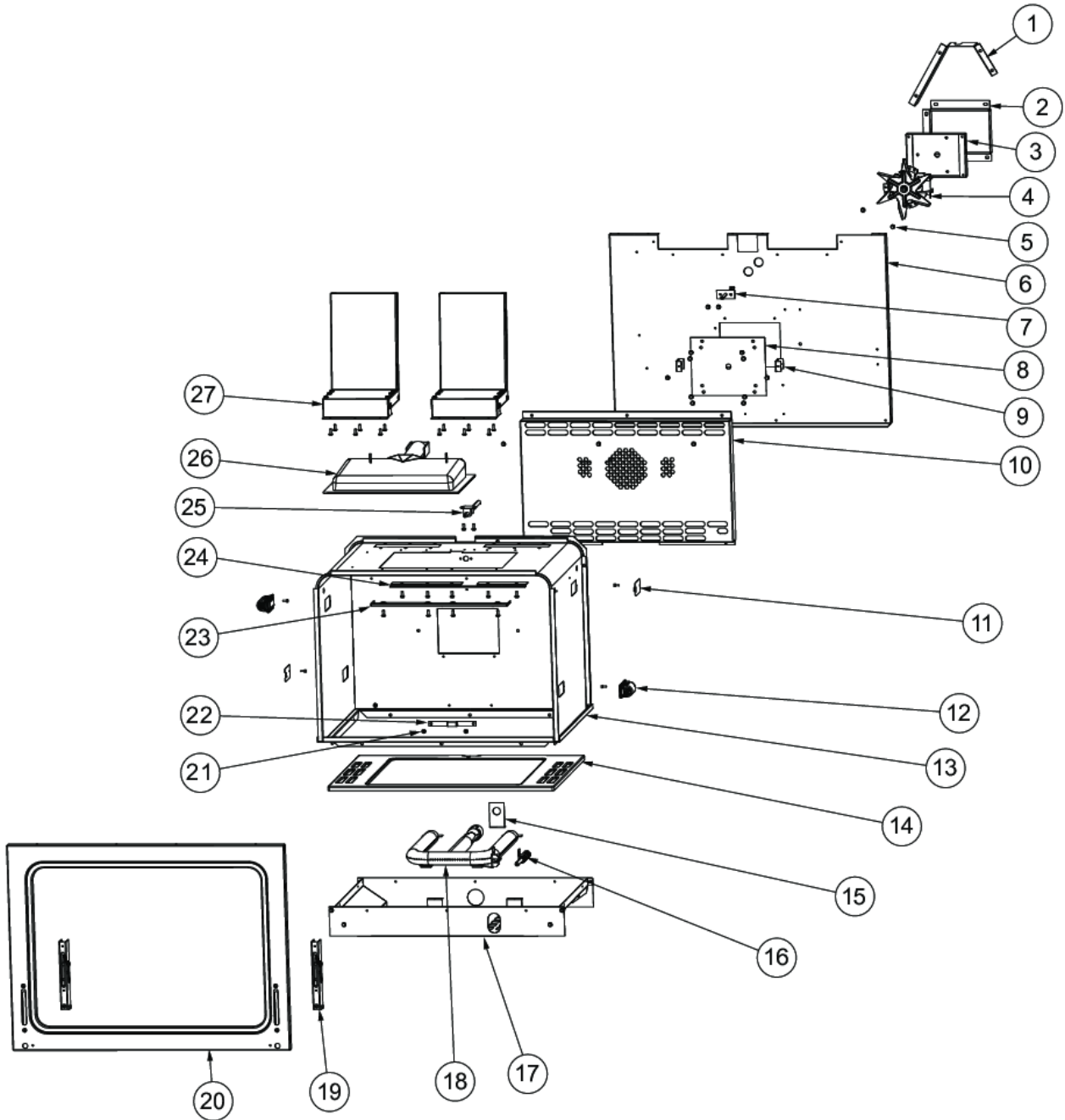


Item	Part No.	Name	Qty	Uom	NOTES
16	020032-027	48" DOOR SKIN SRV KIT, RH MS	1	EA	
17	002728-000	DOOR HANDLE - SS, 1.25" 29.5	1	EA	
18	003011-000	DOOR HANDLE ENDCAP ASSY, LH (CHROME)	1	EA	
18	003011-100	DOOR HANDLE ENDCAP ASSY, LH (BRASS)	1	EA	
19	PE060030	OUTER DOOR GLASS	1	EA	
20	006553-000	DOOR BRACKET, WELD ASSY	1	EA	
21	000594-000	BLACK FIBERGLASS ROPE 3/8	1	EA	

RH OVEN CAVITY

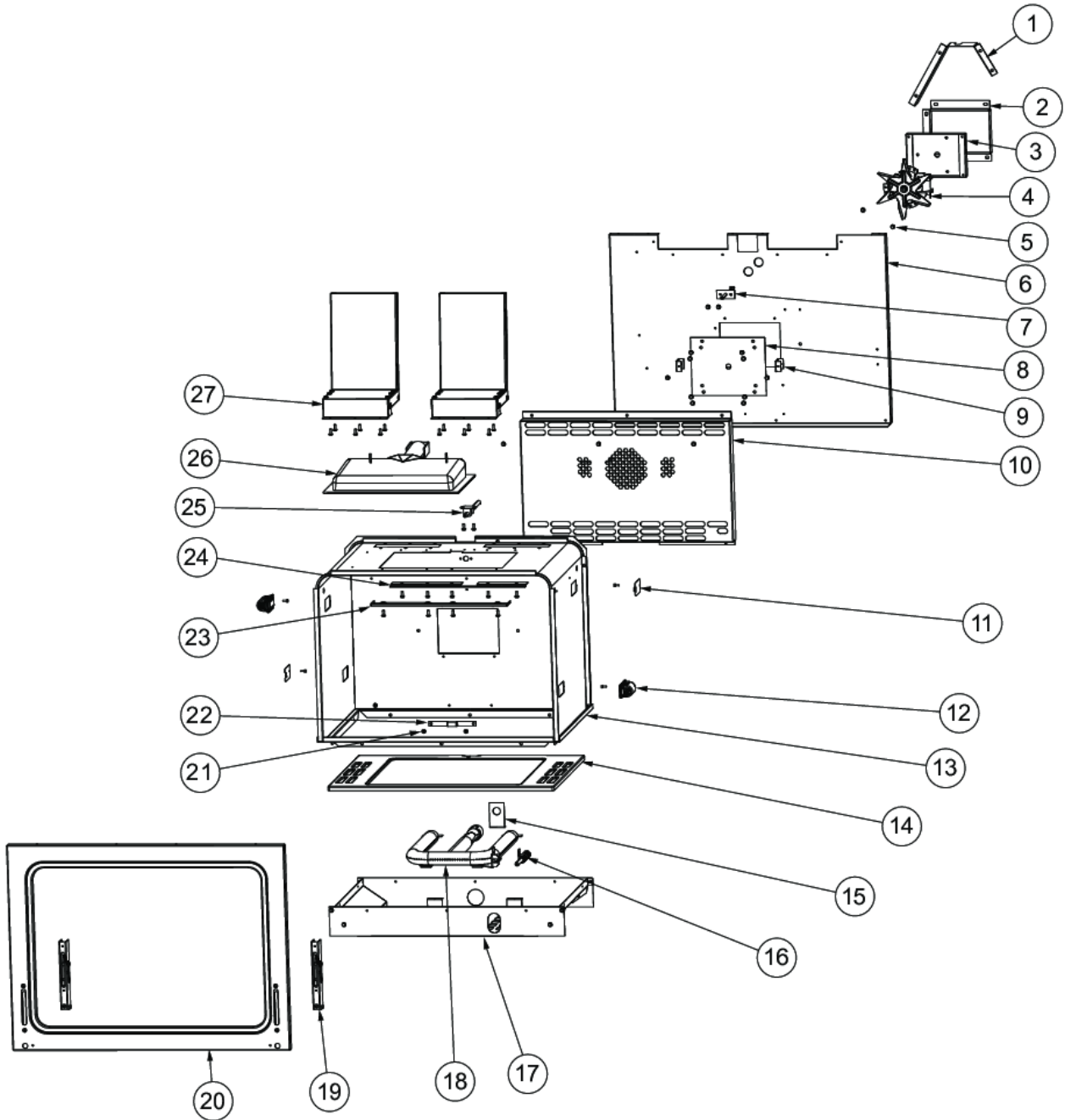


Item	Part No.	Name	Qty	Uom	NOTES
1	006946-000	SHIELD, BRL, EXHAUST	1	EA	Not available online / Call for pricing and availability
2	A2008467	INSULATION SHIELD	1	EA	
3	031735-000	BOX, INSUL., FAN	1	EA	
Not Shown	NOTE	(BEFORE 8/31/11)		EA	
3	023090-000	MOTOR, CONV ASM	1	EA	
Not Shown	NOTE	(ON OR AFTER 8/31/11)		EA	
4	PE050057	CONVECTION FAN (VGSC306)	1	EA	
Not Shown	NOTE	(BEFORE 8/31/11)		EA	
4	023090-000	MOTOR, CONV ASM	1	EA	
Not Shown	NOTE	(ON OR AFTER 8/31/11)		EA	
5	PD020048	NO.10 X 1/2 TEK 410 SS SCREW	41	EA	
6	004626-000	PANEL, BACK, INSULATION, 30"	1	EA	Not available online / Call for pricing and availability
7	PE050206	RTD THERMOSTAT PROBE	1	EA	
8	015612-000	COVER, FAN	1	EA	Not available online / Call for pricing and availability
9	A2001361	BACK SPACER (VGSC/VGSS)	2	EA	
10	G9104482	CONVECTION FAN COVER ASSY (VGSC306)	1	EA	
11	E91012614	LIGHT HOLE COVER	2	EA	
12	005311-000	LAMP, OVEN, 120V/25W	2	EA	
13	UNSERVICEABLE	OVEN CAVITY WELD	1	EA	
14	068456-000	ASM, BOTTOM, CAVITY, OVEN, GAS, 30", GRAY	1	EA	
Not Shown	NOTE	(INCLUDES HEAT SHIELD)	1	EA	
15	005529-000	BAKE ORIFICE MOUNTING BRACKET	1	EA	
Not Shown	NOTE	(BEFORE 2/11/13)		EA	





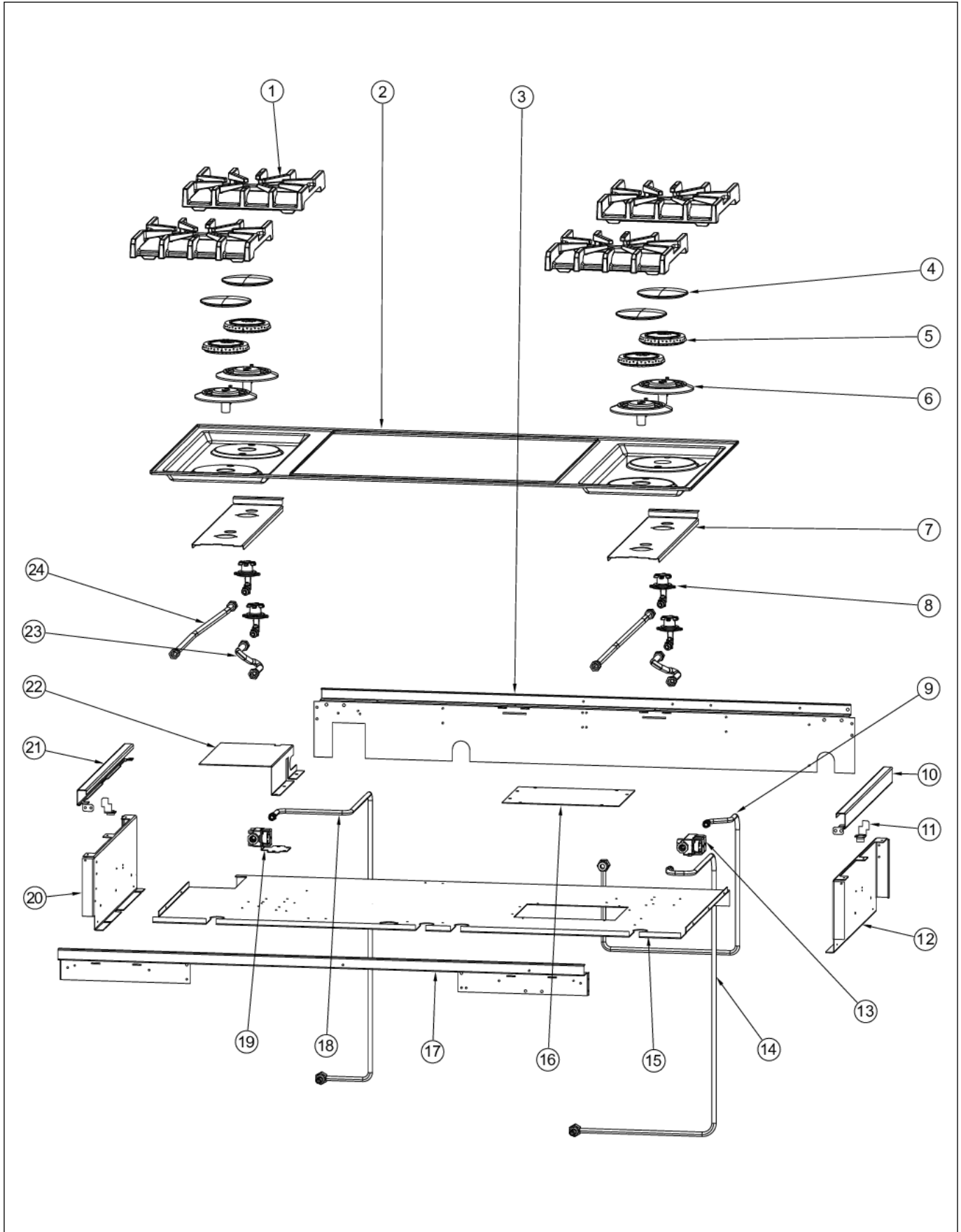
Item	Part No.	Name	Qty	Uom	NOTES
15	040736-000	BRKT, ORF	1	EA	
Not Shown	NOTE	(ON OR AFTER 2/11/13)		EA	
16	PB040170	BAKE IGNITION ELECTRODE	1	EA	
17	005102-000	BURNER PAN ASSEMBLY	1	EA	
18	005329-000	BURNER, OVEN, ASM	1	EA	
18	005330-000	BURNER, OVEN, ASM (LP)	1	EA	
19	031679-000	RECEPTACLE, HINGE	2	EA	
20	005373-000	30" FRONT FRAME WELD ASSY	1	EA	
21	M0210443	SCREW-E SM VM0210443	2	EA	
22	A2004428	REAR BOTTOM BRCKT (VGSC306)	1	EA	
Not Shown	NOTE	(BEFORE 8/31/11)		EA	
23	B2001448	IR BROIL SUPT (FRONT)	1	EA	
24	B2005589	REAR BROILER BRACKET	1	EA	Not available online / Call for pricing and availability
25	PB040171	BROIL IGNITION ELECTRODE	1	EA	
26	G3001876	IR BURNER ASSY (VGSC/RC) N/S	1	EA	
27	006192-000	VENT, ASM, OVEN ASSEMBLY	2	EA	
NI	PB040073	ORIFICE HOOD-#37	1	EA	
NI	PB040035	ORIFICE HOOD-#51 9701B1651	1	EA	
NI	PB040040	ORIFICE-IR BURNER (VGSC)	1	EA	
NI	PB040027	IR BUR.SPUD ORF. - #56 LP	1	EA	
NI	007278-000	ARM HINGE CLIP	2	EA	
Not Shown	NOTE	(BEFORE 01/02/13)		EA	
NI	049718-402	CLIP, RETAINER, HINGE, GLOSS BLACK ENAMEL	2	EA	
Not Shown	NOTE	(AFTER 01/02/13)		EA	
NI	PB060030	RACK SUPT REPL PB060010	2	EA	
Not Shown	NOTE	BEFORE 12/20/12		EA	
NI	066225-402	SUPPORT, RACK D3	2	EA	



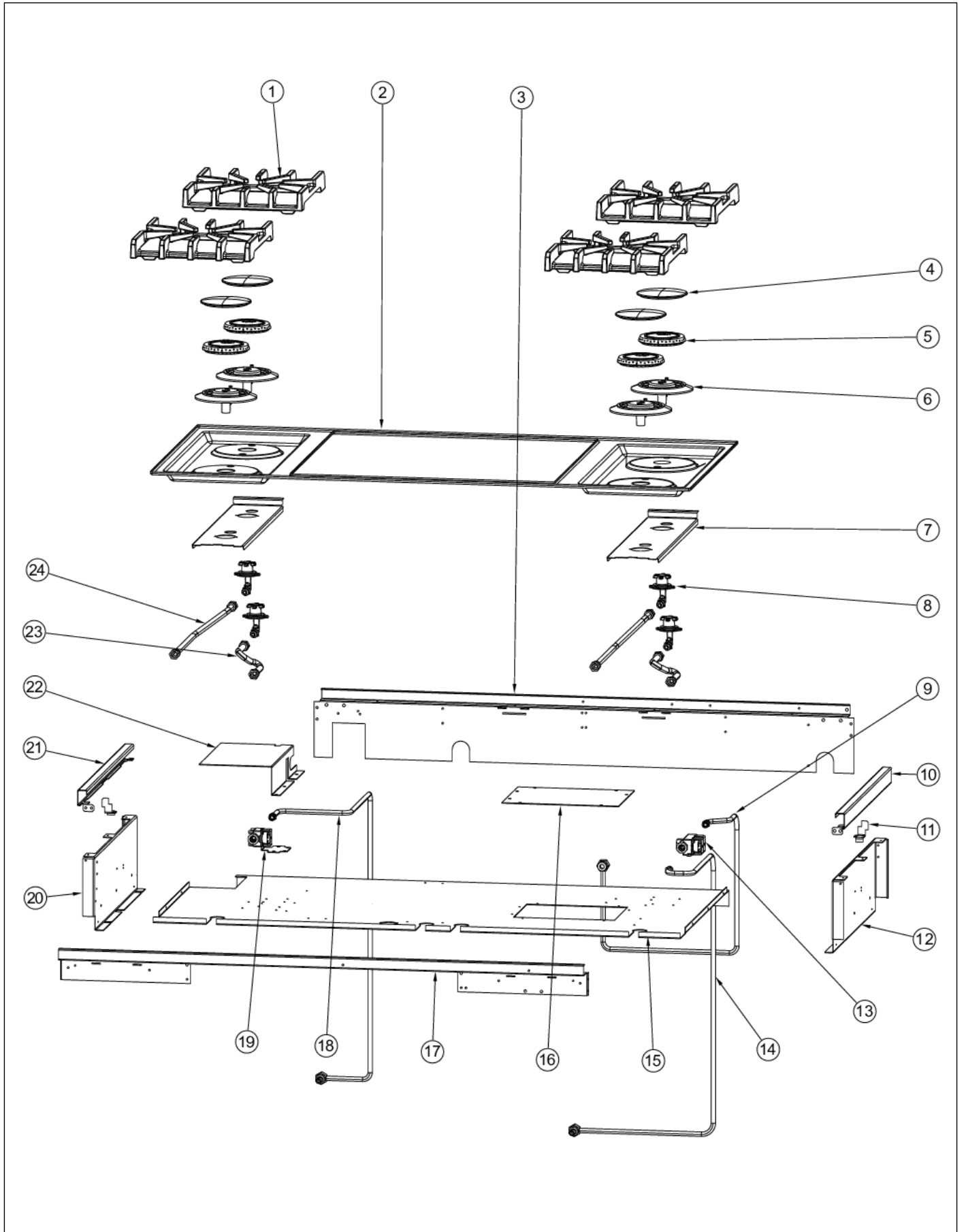


Item	Part No.	Name	Qty	Uom	NOTES
Not Shown	NOTE	ON OR AFTER 12/20/12		EA	
NI	PB060044	OVEN RK VDSC30/48RH REPL PB060019	3	EA	
Not Shown	NOTE	BEFORE 12/20/12		EA	
NI	040863-000	RACK, PRO, 30"	1	EA	
Not Shown	NOTE	ON OR AFTER 12/20/12		EA	
NI	040345-000	RACK, GLDE, 30", PRO ASSY	2	EA	
Not Shown	NOTE	ON OR AFTER 12/20/12		EA	

SURFACE COOKING AREA



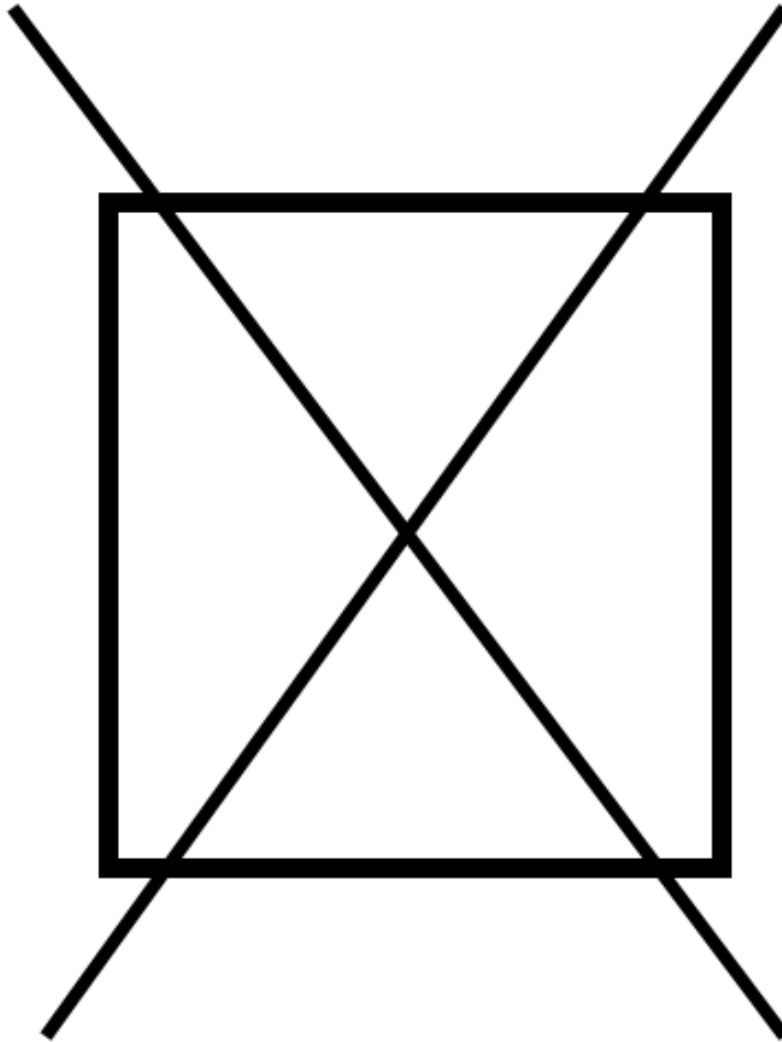
Item	Part No.	Name	Qty	Uom	NOTES
1	007323-000	BURNER GRATE	4	EA	
Not Shown	NOTE	(BEFORE 11/21/14)		EA	
1	049420-000	GRATE, BURNER, ASM	4	EA	
Not Shown	NOTE	(ON OR AFTER 11/21/14)		EA	
NI	PD040075	RUBBER FOOT	16	EA	
Not Shown	NOTE	(BEFORE 11/21/14)		EA	
NI	049416-000	BUMPER, GRATE	16	EA	
Not Shown	NOTE	(ON OR AFTER 11/21/14)		EA	
2	E2109804	48" SEALED TOP	1	EA	Not available online / Call for pricing and availability
3	008609-000	SUPPORT, BACK	1	EA	
4	PA080083	D BURNER CAP *MATTE BLACK*	4	EA	
5	018200-000	ADJUSTED SEALED BURNER HEAD	4	EA	
6	003322-041	SEALED BURNER BASE, PAINTED FINISH- GRAY	4	EA	
7	002923-000	BURNER MODULE SUPPORT	2	EA	
8	001394-042	15000 BTU NAT JETHOLDER	4	EA	
8	001394-046	12.5 K BTU LP JETHOLDER	4	EA	
9	011608-000	TUBING, VALVE TO BROIL ASSY	1	EA	
10	002920-000	TOP TRIM RING, RH	1	EA	
11	004021-000	SUPPORT,TRIM,SIDE	2	EA	
12	002755-000	BURNER BOX SIDE, RH	1	EA	
13	009112-000	VALVE, SOL, DOUBLE	1	EA	
14	011545-000	TUBING, MAIN, 48" OVEN ASSY	1	EA	
14	013296-000	TUBING, MAIN, 48" OVEN ASM (LP)	1	EA	
15	008450-000	PANEL, CTR	1	EA	
16	009268-000	PLATE, SHORT FAN COVER	1	EA	
17	025758-000	SUPPORT, FRONT	1	EA	
18	009821-000	TUBING, 18" OVEN ASSY	1	EA	





Item	Part No.	Name	Qty	Uom	NOTES
18	013297-000	TUBING, 18" OVEN ASM (LP)	1	EA	
19	009111-000	VALVE, SOL, SINGLE	1	EA	
20	003481-000	BURNER BOX SIDE, LH	1	EA	
21	003649-000	TOP TRIM RING, LH	1	EA	
22	012965-000	COVER, SOL, LRG	1	EA	
23	PB020192	10" FLEX TUBING W/CONNECTORS	2	EA	
24	PB020193	16" FLEX TUBING W/CONNECTORS	2	EA	
NI	001396-000	NATURAL GAS ORIFICE	4	EA	
NI	005990-000	1.10 MM LP BTU ORIFICE	4	EA	
NI	009197-000	#6-32 X 5/8 18-8 SS NC SOC CAP	8	EA	

# NON ILLUSTRATED PART

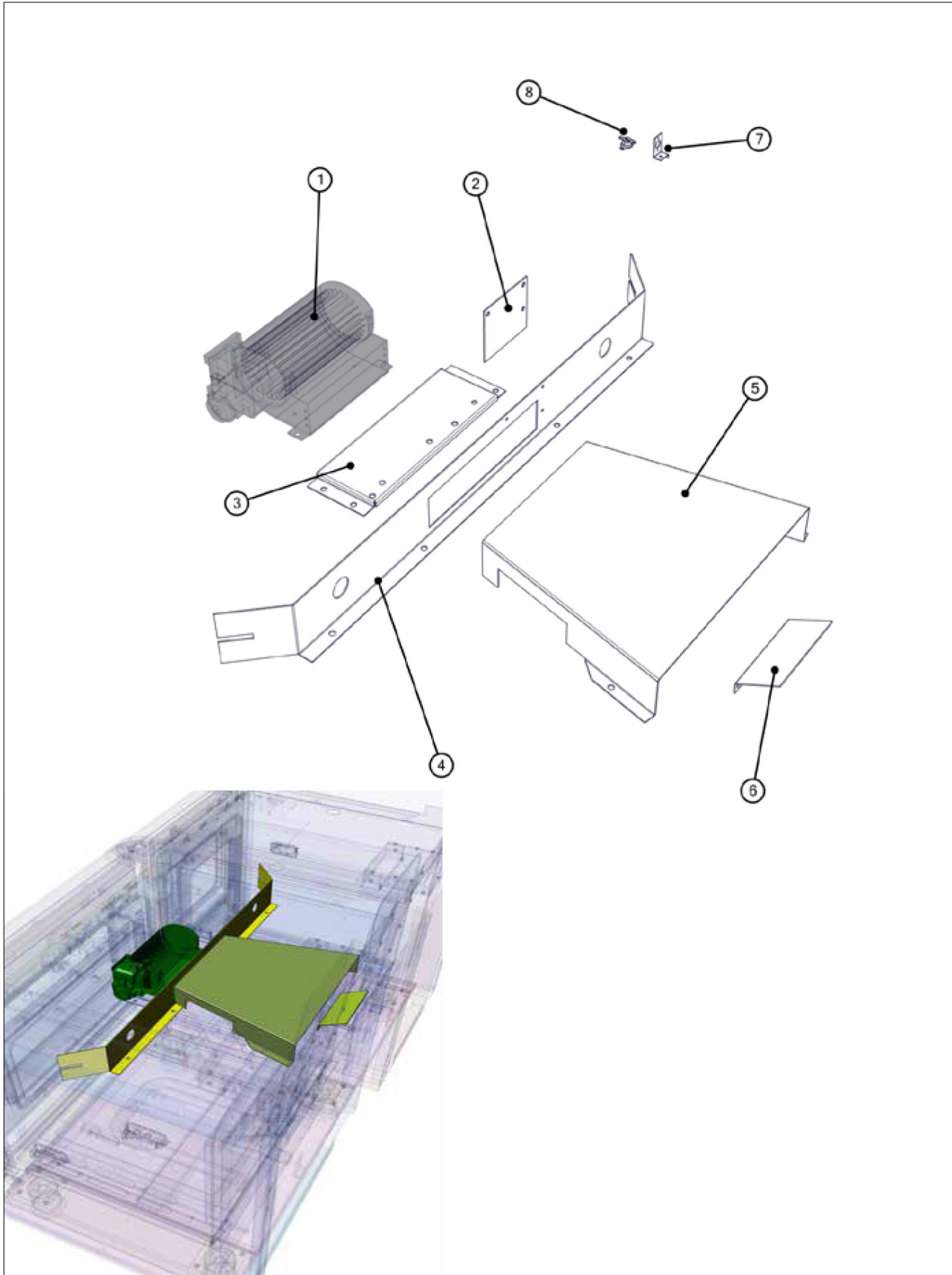






Item	Part No.	Name	Qty	Uom	NOTES
NI	000647-000	IRIS IGNITOR WIRE, FRONT BURNER	2	EA	
NI	006766-000	IRIS IGNITOR WIRE, BACK BURNER	3	EA	
NI	PE070892	IRIS HARNESS - 60"	1	EA	
NI	007298-000	BAKE IGNITOR WIRE, ASM	4	EA	
NI	006765-000	BROIL IGNITOR WIRE ASM	1	EA	
NI	025994-000	HARNESS, 48" VGCC	1	EA	
NI	036196-000	CONTROL PANEL HARNESS, VGCC548-4GQ/6G	1	EA	
NI	027582-000	WIRE HARNESS, GRIDDLE VGCC548-4Gá	1	EA	
NI	027587-000	HARNESS, T/STAT, VGCC548-4G	1	EA	Not available online / Call for pricing and availability
NI	027588-000	HARNESS, OVEN T/STAT, VGCC548-4G	1	EA	Not available online / Call for pricing and availability
NI	009475-000	GRIDDLE RTD HARNESS	2	EA	
NI	013408-000	GRIDDLE HEADER	2	EA	
NI	G4000936	GROUND WIRE	2	EA	
NI	PE070036	NYLON CABLE TIES -7"	1	EA	
NI	G4008493	SUPPLY CORD ASSY- VGSU	1	EA	
NI	M0104106	CLIP-CORD VM0104106	5	EA	
NI	030292-000	RTD JUMPER	2	EA	
NI	043836-000	48" SPILL GUTTER KIT 2	1	EA	
Not Shown	NOTE	(FOR UNITS MANUFACTURED BEFORE 1/9/13)		EA	
NI	015357-000	IGNITOR, W/WIRE	2	EA	

VGCC548 cooling fan data



Item	Part No.	Name	Qty	Uom	NOTES
NI	TC-0072-SP	vgcc548 BLOWER KIT BULLETIN		EA	
Not Shown	NOTE	FOR UNITS BUILT PRIOR TO 11/11/2013		EA	
1	030567-000	FAN,BLOW,ASM 120V (51480)	1	EA	
2	008420-000	FAN COVER PLATE	1	EA	
3	006956-000	BRACKET, BLO, MTG	1	EA	
4	006114-000	DIVIDER, AIR	1	EA	
5	005464-000	DUCT, VENT	1	EA	
6	006952-000	DEFLECTOR, AIR	1	EA	
7	012438-000	SWITCH, LIM, BRKT	1	EA	
8	PJ030022	FAN SWITCH (HI-LIMIT SWITCH)	1	EA	



Appendix A:Pages Index

CONTROL AREA ..... 1  
DOUBLE GRIDDLE ASSEMBLY ..... 2  
LH DOOR ASSEMBLY ..... 3  
LH OVEN CAVITY ..... 4  
LOWER UNIT AND SIDE PANEL ..... 5  
OVEN ELECTRONICS ..... 6  
REAR SHEET METAL ..... 7  
RH DOOR ASSEMBLY ..... 8  
RH OVEN CAVITY ..... 9  
SURFACE COOKING AREA ..... 10  
VGCC548 cooling fan data ..... 12  
WIRING ..... 11



Appendix B:Parts Index

000042-000	8	004684-000	8
000080-000	3	004687-000	8
000594-000	3, 8	004688-000	8
000647-000	11	004691-000	8
001142-000	8	004691-402	8
001142-402	8	005102-000	9
001145-000	3	005269-000	1
001145-402	3	005311-000	4, 9
001394-042	10	005315-000	6
001394-046	10	005329-000	9
001396-000	10	005330-000	9
002513-000	2	005373-000	9
002560-000	8	005464-000	12
002728-000	8	005505-002	5
002740-000	8	005505-005	5
002755-000	10	005505-006	5
002905-000	5	005505-008	5
002920-000	10	005505-013	5
002923-000	10	005505-024	5
003011-000	3, 8	005529-000	4, 9
003011-100	3, 8	005536-000	5
003012-000	3, 8	005990-000	10
003012-100	3, 8	006114-000	12
003060-000	4	006192-000	4, 9
003322-041	10	006221-000	3
003481-000	10	006225-000	3
003588-000	5	006313-000	1
003649-000	10	006355-000	1
003719-000	1	006553-000	8
004021-000	10	006570-000	1
004479-000	5	006744-000	7
004482-000	5	006765-000	11
004626-000	9	006766-000	11
004628-000	6	006785-000	2
004645-002	5	006946-000	9
004645-005	5	006949-000	7
004645-006	5	006952-000	12
004645-008	5	006956-000	12
004645-013	5	006962-000	7
004645-024	5	007147-000	1
		007193-000	5



007198-000	5	011608-000	10
007202-000	3	011695-000	1
007221-000	3	011717-000	1
007221-402	3	012438-000	12
007222-000	3	012965-000	10
007278-000	4, 9	013213-000	1
007298-000	11	013296-000	10
007323-000	10	013297-000	10
007374-000	6	013303-000	3
007583-000	8	013320-000	1
007701-000	7	013386-000	1
007705-000	4	013408-000	11
008011-000	6	013888-000	2
008097-000	8	013889-000	2
008336-000	3	015357-000	11
008416-000	1	015612-000	9
008420-000	12	016293-000	2
008450-000	10	016295-000	2
008609-000	10	018200-000	10
008638-000	5	019123-000	5
009111-000	10	019124-000	5
009112-000	2, 10	019975-000	3
009197-000	10	020032-003	8
009225-000	4	020032-004	8
009268-000	10	020032-005	8
009280-000	5	020032-006	8
009464-000	4	020032-008	8
009475-000	11	020032-009	8
009568-000	5	020032-010	8
009630-002	5	020032-012	8
009630-005	5	020032-013	8
009630-006	5	020032-015	8
009630-008	5	020032-016	8
009630-013	5	020032-017	8
009630-024	5	020032-018	8
009820-000	5	020032-019	8
009821-000	10	020032-020	8
009830-000	3	020032-021	8
010251-000	6	020032-022	8
011545-000	10	020032-023	8
011570-000	1	020032-024	8



020032-027	8	025758-000	10
020038-002	3	025869-000	1
020038-003	3	025894-2306	1
020038-004	3	025994-000	11
020038-005	3	026037-000	1, 2
020038-006	3	026113-000	2
020038-008	3	026114-000	2
020038-009	3	027489-000	2
020038-010	3	027582-000	11
020038-012	3	027587-000	11
020038-013	3	027588-000	11
020038-015	3	030292-000	11
020038-016	3	030567-000	6, 12
020038-017	3	031679-000	9
020038-018	3	031735-000	9
020038-019	3	032123-000	7
020038-020	3	033879-000	1
020038-021	3	034927-000	7
020038-022	3	034928-000	7
020038-023	3	035828-000	5
020038-024	3	035881-000	1
020038-025	3	035883-000	1
020038-026	3	035893-000	1
020038-027	3	036196-000	11
021309-002	5	038605-000	5
021309-005	5	038606-002	5
021309-006	5	038606-005	5
021309-008	5	038606-006	5
021309-013	5	038606-008	5
021309-024	5	038606-013	5
021310-002	5	038606-024	5
021310-005	5	040248-000	2
021310-006	5	040345-000	9
021310-008	5	040736-000	4, 9
021310-013	5	040863-000	9
021310-024	5	040963-000	4
023090-000	9, 9	043836-000	11
023093-000	4	044178-000	5
023649-000	8	049416-000	10
023651-000	6	049420-000	10
025750-000	2	049718-402	4, 9



050172-000	1	PB060030	4, 9
066225-402	4, 9	PB060044	9
068456-000	9	PB060046	4
068457-000	4	PB070145	3, 3
A2001361	9	PD010012	1
A2002189	8	PD010028	1
A2002654	7	PD020048	9
A2004428	9	PD040075	10
A2004429	5	PE010030	3
A2008467	9	PE010068	3
B2001448	9	PE050023	1
B2004415	4	PE050024	1
B2005589	9	PE050057	9
E2109804	10	PE050206	2, 9
E91012614	9	PE050208	6
G3001876	9	PE060030	8, 8
G4000936	11	PE060031	8
G4008493	11	PE060032	3
G9104482	9	PE060039	8
M0104106	11	PE060046	3
M0210443	9	PE060049	3
PA020028	2	PE070036	11
PA020058	1	PE070892	11
PA070003	1	PJ030022	12
PA080083	10	TC-0072-SP	12
PB010304PVD	1		
PB020126	2		
PB020192	10		
PB020193	10		
PB040027	9		
PB040034	4		
PB040035	9		
PB040036	4		
PB040040	9		
PB040049	2		
PB040050	2		
PB040051	2		
PB040073	9		
PB040170	4, 9		
PB040171	9		
PB040190	2		