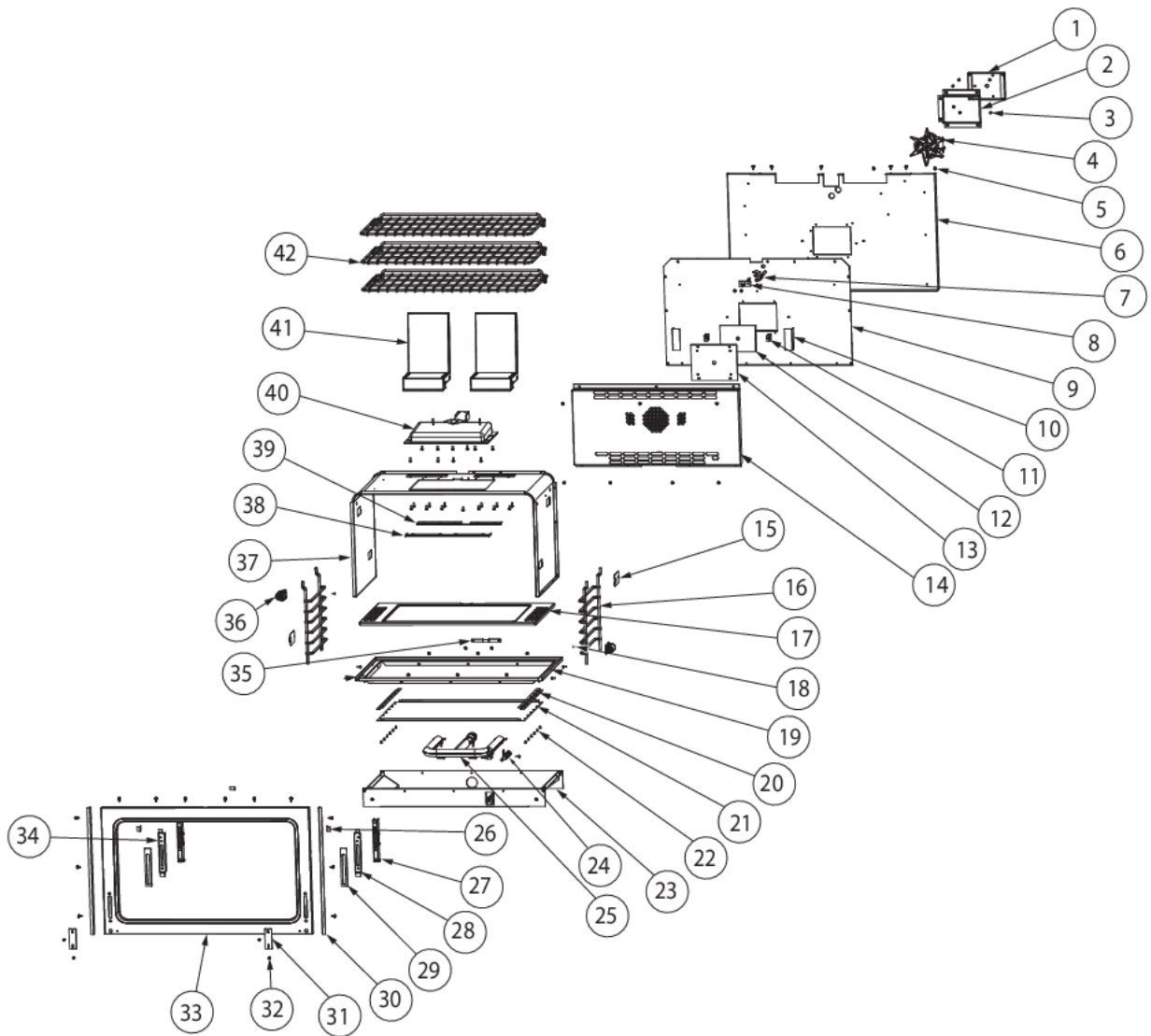


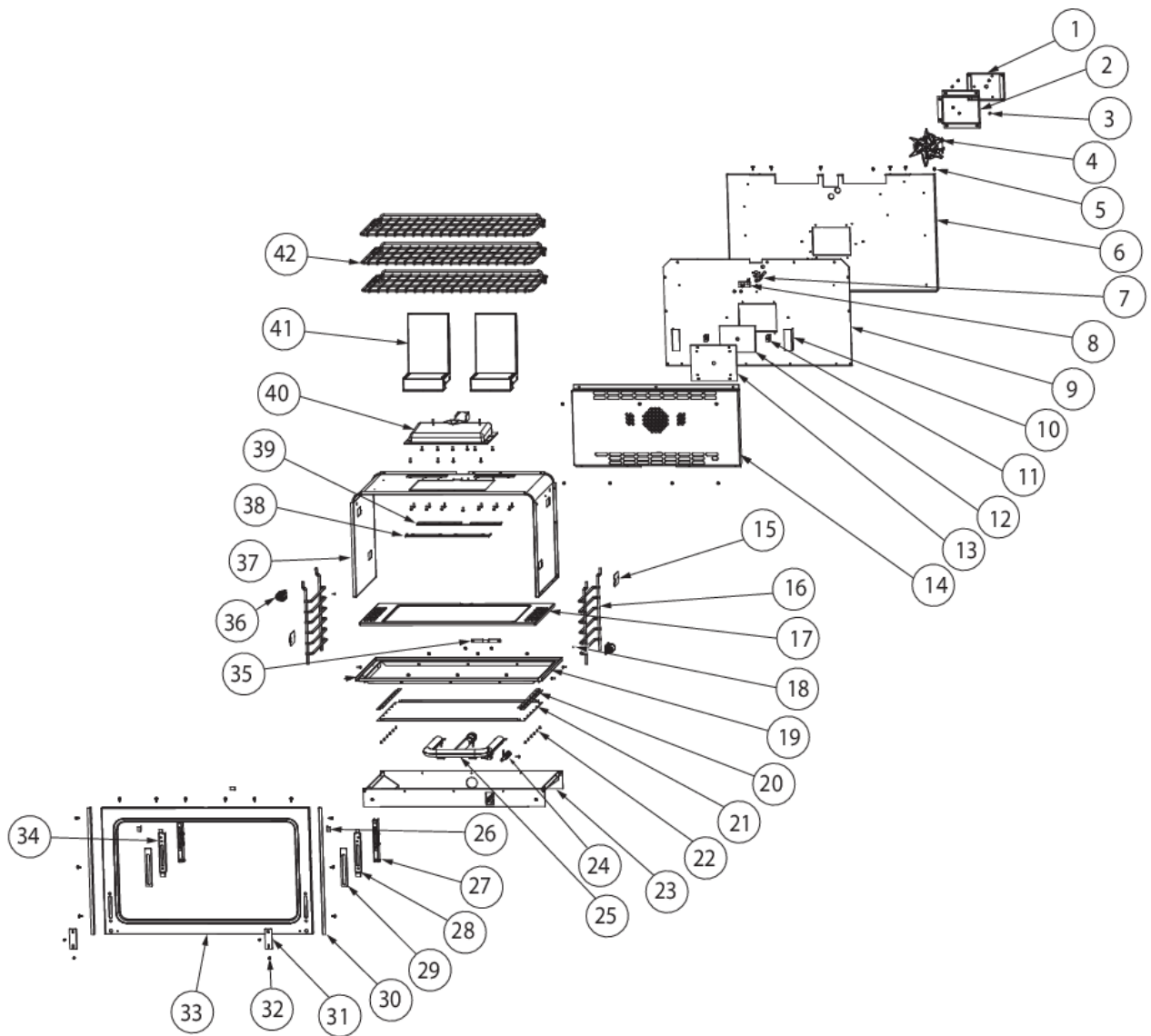
VGCC536-4G

CAVITY INTERIOR	1
CONTROL AREA	2
DOOR ASSEMBLY	3
LOWER UNIT AND SIDE PANEL	4
OVEN ELECTRONICS	5
REAR SHEET METAL	6
SURFACE COOKING AREA	7
UNIT WIRING	8
Appendix A:Pages Index	A
Appendix B:Parts Index	B

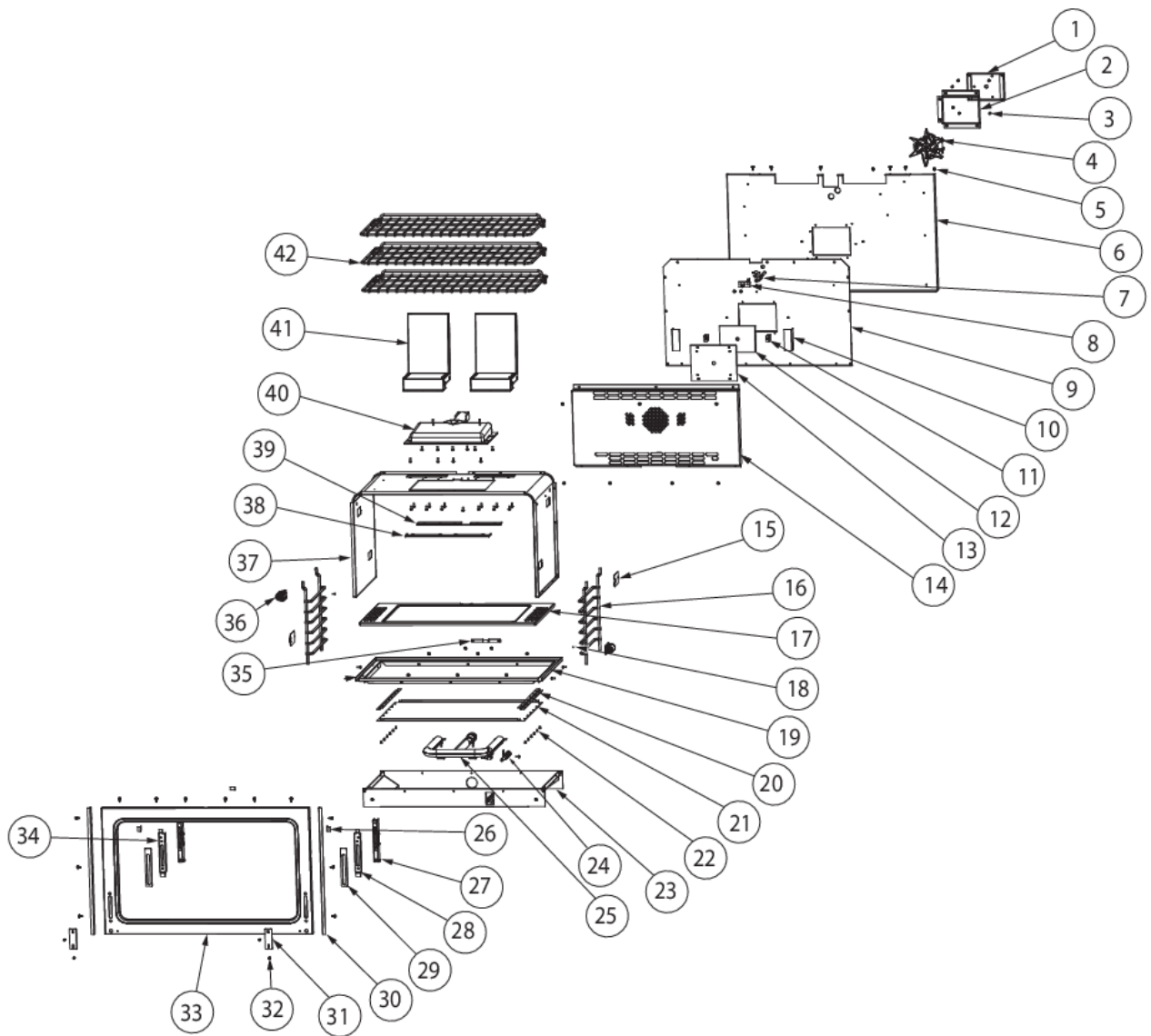
CAVITY INTERIOR



Item	Part No.	Name	Qty	Uom	NOTES
1	A2002595	CONVECTION FAN BOX (VDSC)	1	EA	
2	A2008467	INSULATION SHIELD	1	EA	
3	PD020060	10 X 1/2" (5/16)HEX WSHER HD.(T)A	52	EA	
4	PE050057	CONVECTION FAN (VGSC306)	1	EA	
Not Shown	NOTE	(BEFORE 8/31/11)		EA	
NI	023090-000	MOTOR, CONV ASM	1	EA	
Not Shown	NOTE	(ON OR AFTER 8/31/13)		EA	
5	003860-000	FASTENER,SCR,HXWH,STL,ZP LT,10-18 x .500	19	EA	
6	007841-000	BACK INSULATION PANEL, 36"	1	EA	
7	PB040171	BROIL IGNITION ELECTRODE	1	EA	
8	007008-000	RTD PROBE	1	EA	
9	NON REPLACEABLE	BACK LINER 36"	N/A	EA	
10	E2004435	CONVECTION FAN BAFFLE (VGSC306)	2	EA	NO LONGER AVAILABLE, Not available online / Call for pricing and availability
11	A2001361	BACK SPACER (VGSC/VGSS)	2	EA	
12	PB070208	CONVECTION FAN INSULATION	1	EA	
13	A1002596	CONVECTION FAN COVER (VDSC)	1	EA	
14	G9105513	CONVECTION FAN COVER ASSY (VGSC366)	1	EA	
Not Shown	NOTE	(BEFORE 04/28/10)		EA	
14	021225-000	COVER, CNVN, ASM	1	EA	
Not Shown	NOTE	(BETWEEN 04/28/10 THRU 01/25/12)		EA	
14	021225-403	COVER, CNVN, ASM, GY PORC	1	EA	
Not Shown	NOTE	(BETWEEN 01/25/12 THRU 12/20/12)		EA	
14	021225-402	COVER, CNVN, ASM, BK PORC	1	EA	
Not Shown	NOTE	(ON OR AFTER 12/20/12)		EA	
15	E91012614	LIGHT HOLE COVER	2	EA	



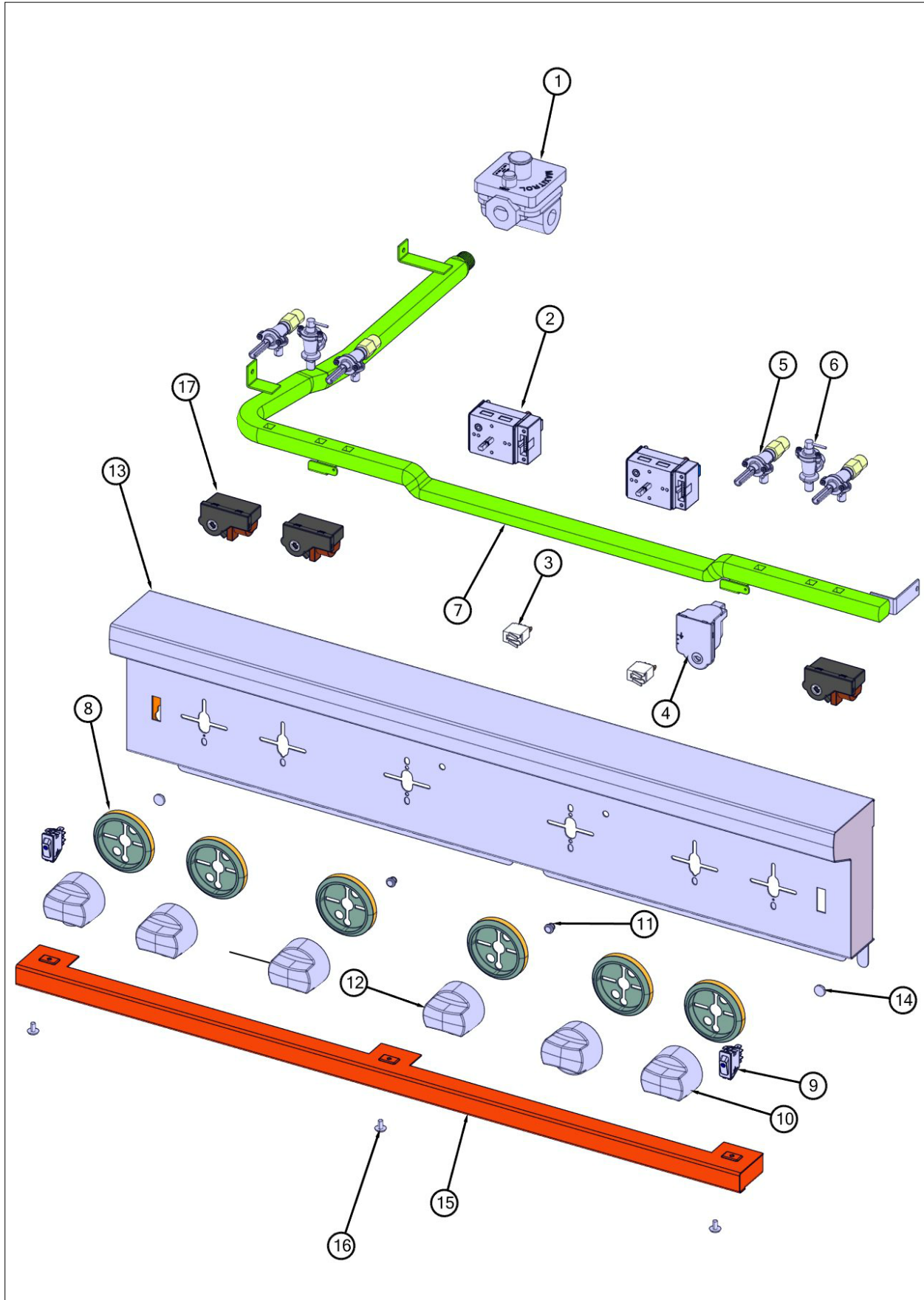
Item	Part No.	Name	Qty	Uom	NOTES
16	PB060030	RACK SUPT REPL PB060010	2	EA	
Not Shown	NOTE	BEFORE 12/20/12		EA	
16	066225-402	SUPPORT, RACK D3	2	EA	
Not Shown	NOTE	ON OR AFTER 12/20/12		EA	
17	068458-000	ASM, BOTTOM, CAVITY, OVEN, GAS 36" GRAY	1	EA	
Not Shown	NOTE	(INCLUDES HEAT SHIELD)		EA	
18	PD020067	#6 X 3/8" PAN PHIL. TEK *SS*	2	EA	
19	005264-000	BOTTOM LINER, 36"	1	EA	
20	E2004433	OVEN BOTTOM BRACE (VGSC306)	2	EA	NOT FIELD REPLACEABLE
21	A2005525	OVEN BOTTOM HEAT SHIELD	1	EA	
22	PD020084	6-32 X 1/4 PAN PHIL TYPE F *SS*	12	EA	
23	NON REPLACEABLE	OVEN, CAVITY, ASM, BOTTOM	N/A	EA	
24	PB040170	BAKE IGNITION ELECTRODE	1	EA	
25	008191-000	OVEN BURNER ASSY	1	EA	
25	009150-000	OVEN BURNER ASSY *LP*	1	EA	
26	006050-000	BRACKET, FR, FRONT	3	EA	
27	031679-000	RECEPTACLE, HINGE	2	EA	
28	E2109638	BRACKET, HINGE RECPT RH	1	EA	NOT FIELD REPLACEABLE, Not available online / Call for pricing and availability
29	007259-000	SHIM - NLA	2	EA	
30	005536-000	TRIM	2	EA	
31	007278-000	ARM HINGE CLIP	2	EA	
Not Shown	NTOE	(BEFORE 01/02/13)		EA	
31	049718-402	CLIP, RETAINER, HINGE, GLOSS BLACK ENAMEL	2	EA	
Not Shown	NOTE	(AFTER 01/02/13)		EA	
32	PD020232	NO.8 X 3/4 PH PAN HEAD TEK SCREW (BLACK OXIDE)	2	EA	



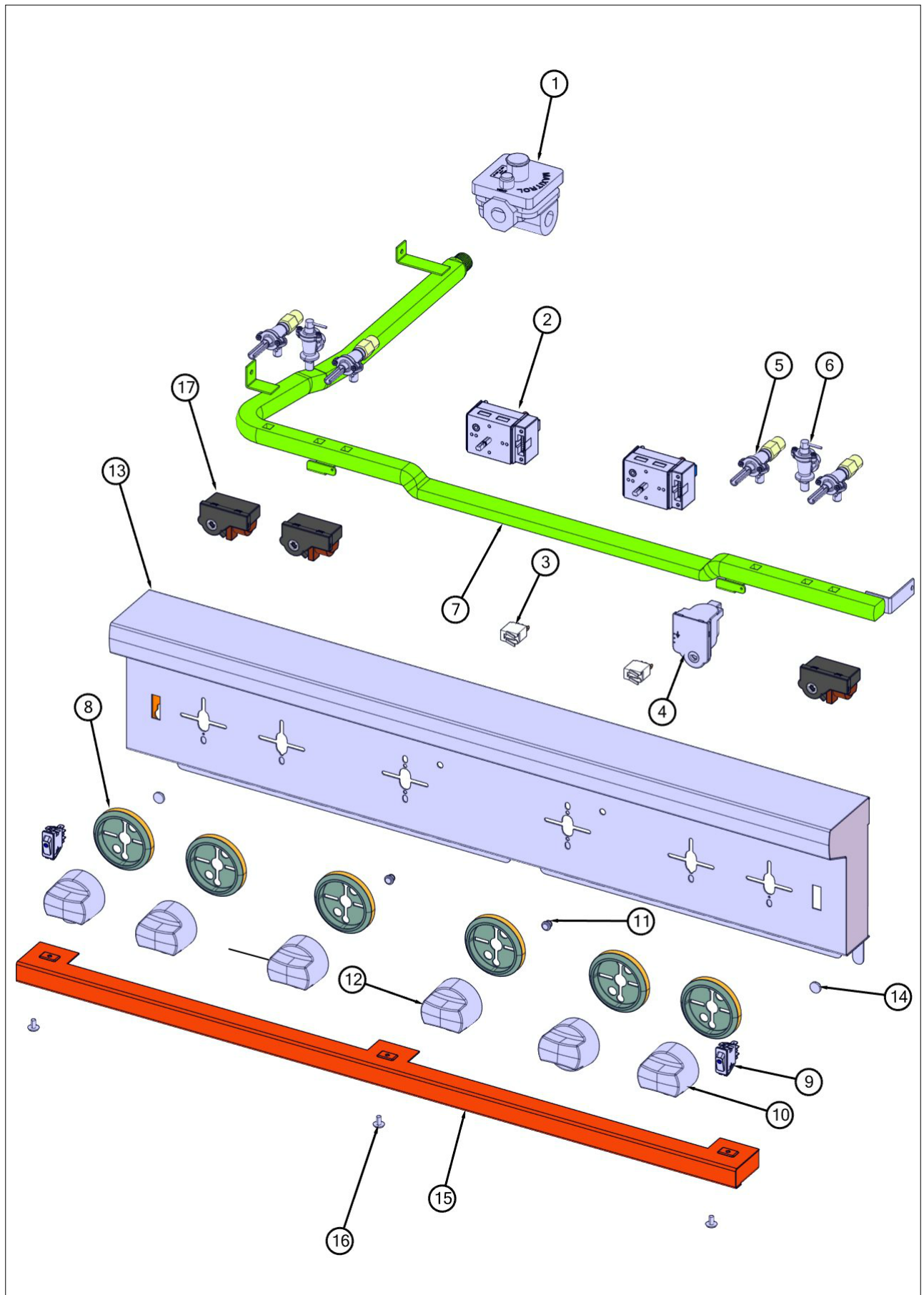


Item	Part No.	Name	Qty	Uom	NOTES
33	007844-000	FRONT FRAME, 36"	1	EA	
34	NON REPLACEABLE	BRACKET, HINGE RECPT LH	N/A	EA	
35	A2004428	REAR BOTTOM BRCKT (VGSC306)	1	EA	
Not Shown	NOTE	(BEFORE 8/31/11)		EA	
36	005311-000	LAMP, OVEN, 120V/25W	2	EA	
37	NON REPLACEABLE	36" VGSC OVEN CAVITY	N/A	EA	
38	020409-000	BRACKET, SPRT, FR, I/R BROILER	1	EA	
39	B2005589	REAR BROILER BRACKET	1	EA	Not available online / Call for pricing and availability
40	G3001876	IR BURNER ASSY (VGSC/RC) N/S	1	EA	
41	006192-000	VENT, ASM, OVEN ASSEMBLY	2	EA	
42	PB060045	OVEN RK VDSC36 REPL PB060020	3	EA	
Not Shown	NOTE	BEFORE 12/20/12		EA	
42	040865-000	RACK, PRO, 36"	1	EA	
Not Shown	NOTE	ON OR AFTER 12/20/12		EA	
42	040349-000	RACK, GLDE, 36", PRO ASSY	2	EA	
Not Shown	NOTE	ON OR AFTER 12/20/12		EA	

CONTROL AREA



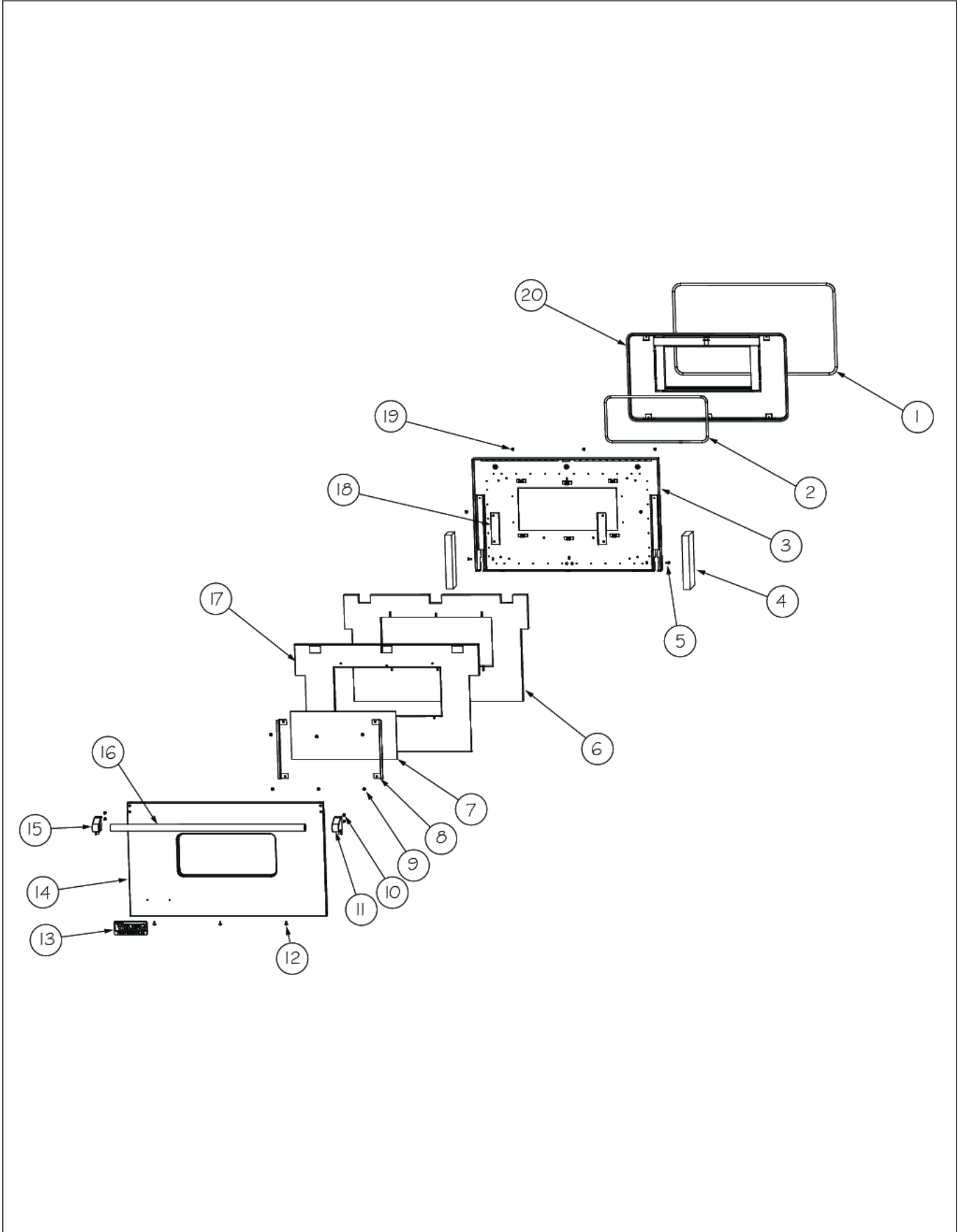
Item	Part No.	Name	Qty	Uom	NOTES
1	PA070003	PRESSURE REGULATOR (NAT.)	1	EA	
1	013386-000	LP PRESSURE REGULATOR	1	EA	
2	013213-000	TSTAT, SMPS, ELEC, 2-POS, .91" SHAFT, CB	2	EA	
3	PE050024	OVEN IND. LIGHT (LIGHT HOUSING)	2	EA	
<p>Comments for Part Num. PE050024</p> <p>haarnink@vikingrange.com on Jan 14, 2019 please note that the indicator light is now part 043135-000 but needs the Jumper harness 051443-000. and second option there are units in the field with a 230V indicator light part number 036566-000.</p> <p>please check this for all "E" module ranges/Tops</p>					
Not Shown	NOTE	(BEFORE 02/21/12)		EA	
3	015170-000	HOUSING, LIGHT, BLUE NEON, 125V	2	EA	
Not Shown	NOTE	(ON OR AFTER 02/21/12)		EA	
4	PA020058	IRIS SINGLE SPARK MODULE	1	EA	
5	004507-000	VALVE,BRS,ASM, TOP,BURNER , FLRE,FTG, 5/8 - 18 UNF	4	EA	
6	007147-000	SHUT OFF VALVE	2	EA	
7	012830-000	MANIFOLD,VG536-4G	1	EA	
8	050172-000	KNOB BEZEL	6	EA	
9	025098-000	Rocker switch, convection	2	EA	
10	035881-000	KNOB, BNR, TOP PRO CR3	4	EA	
11	PE050023	OVEN IND. LIGHT (LENS & BEZEL)	2	EA	
Not Shown	NOTE	(BEFORE 02/21/12)		EA	
11	027968-000	LENS, BLUE	2	EA	
Not Shown	NOTE	(ON OR AFTER 02/21/12)		EA	
12	035883-000	KNOB,GRDL,PRO CR3	2	EA	
13	042429-2075	CONTROL, PNL, VGCC536-4G, ASM	1	EA	
14	PD040004	GROMMET BUMPER	2	EA	



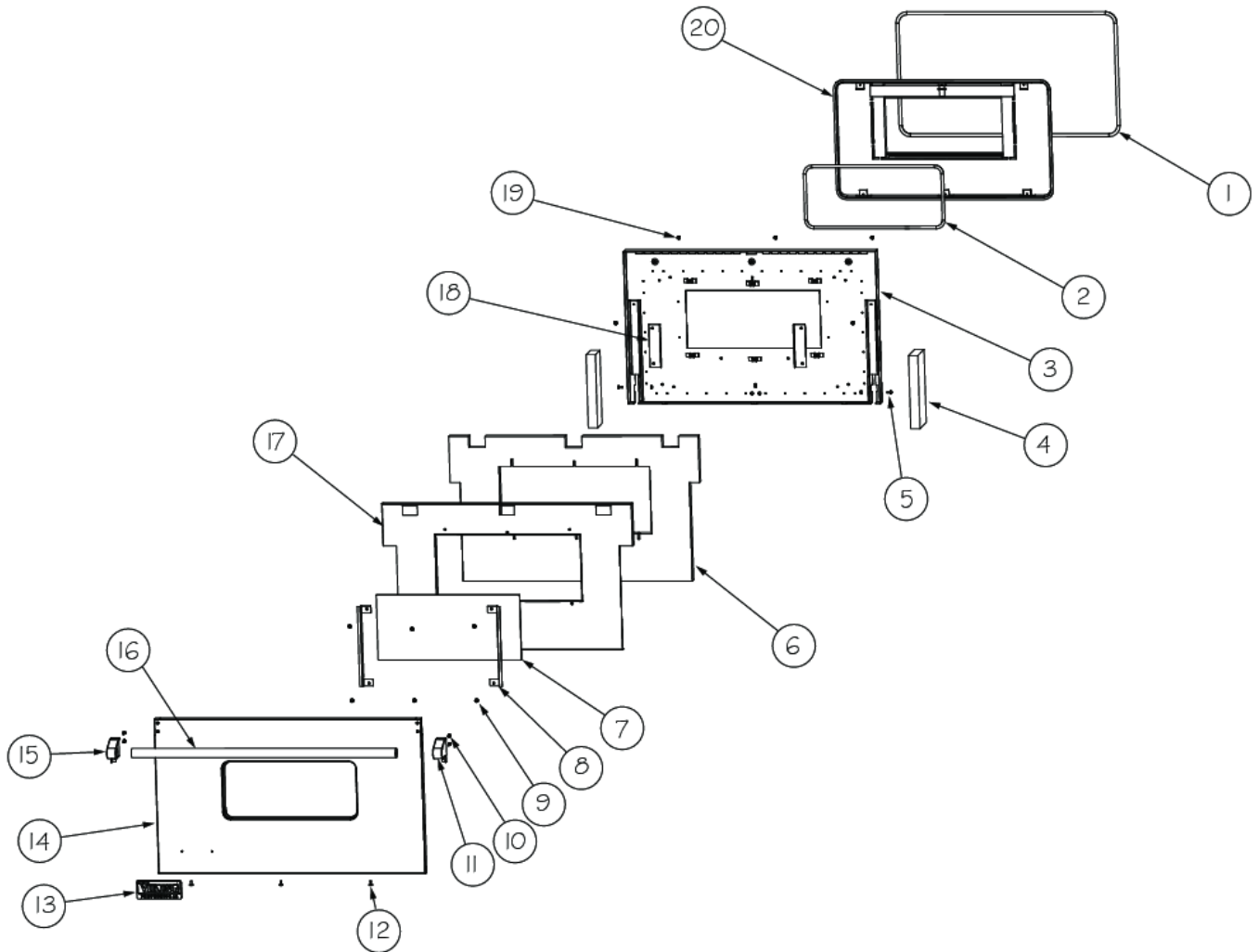


Item	Part No.	Name	Qty	Uom	NOTES
15	011637-000	TRIM, ASM	1	EA	
16	PD020032	SRW-8(A)X3/8"PH.WFR HD 7/16DIA*NICL	3	EA	
17	PA020058	IRIS SINGLE SPARK MODULE	3	EA	
Not Shown	NOTE	(BEFORE 10/12/16)		EA	
17	035795-000	MODULE, IGN, GAS,SNGL	3	EA	
Not Shown	NOTE	(ON OR AFTER 10/12/16)		EA	
18	035891-000	KNOB,OVN,TSTAT, PRO VGCC CR3	1	EA	

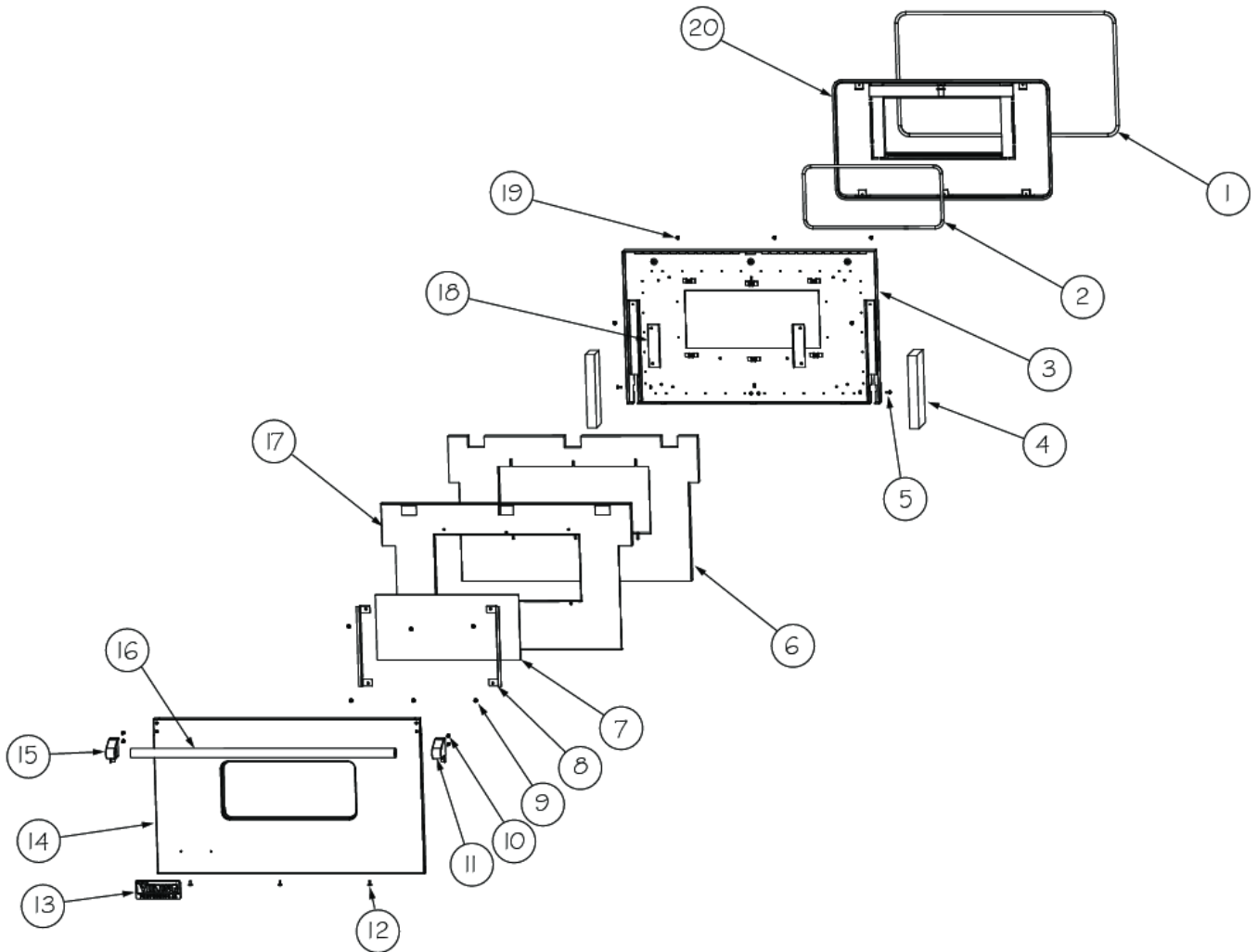
DOOR ASSEMBLY



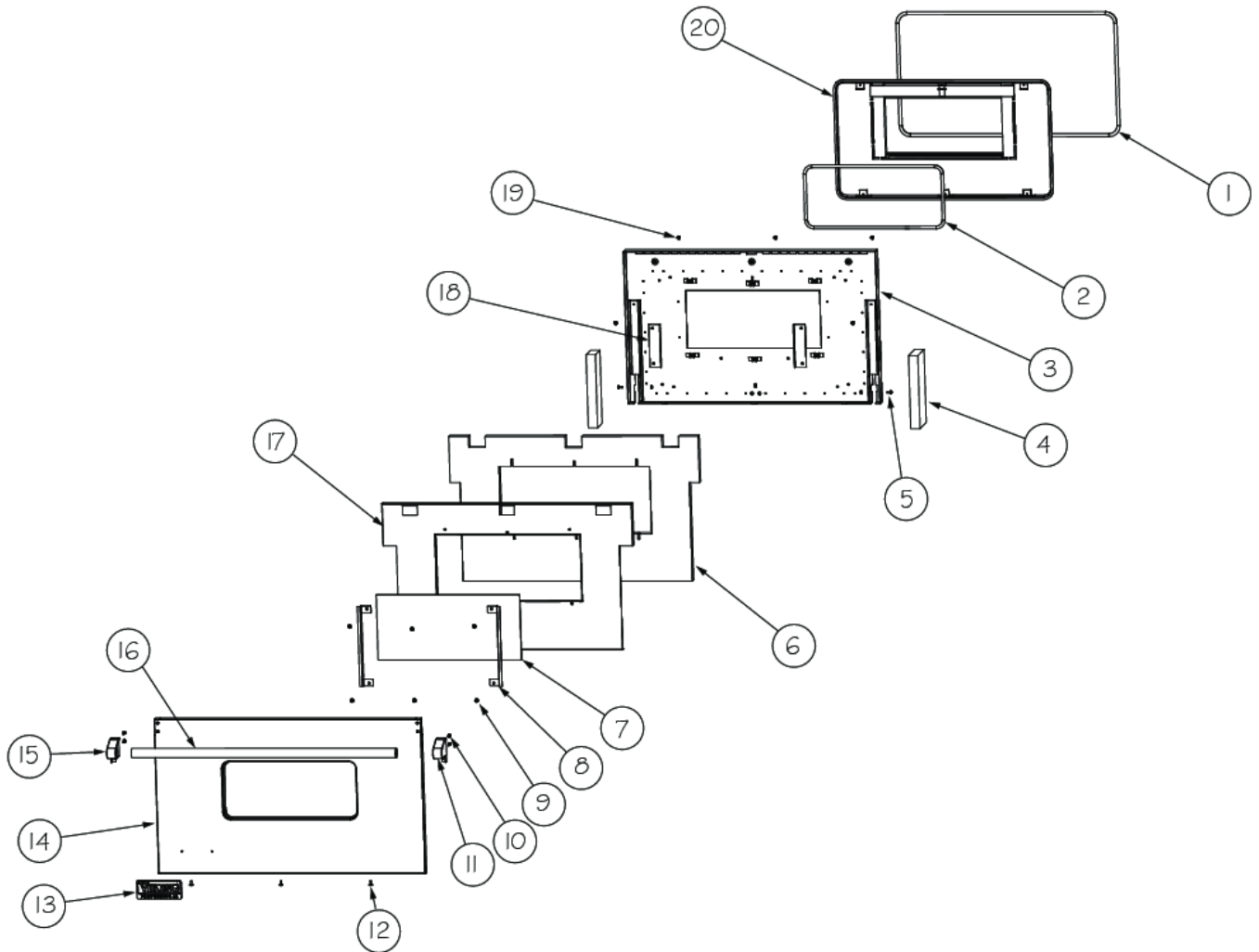
Item	Part No.	Name	Qty	Uom	NOTES
1	000090-000	36" DOOR GASKET	1	EA	
2	000594-000	BLACK FIBERGLASS ROPE 3/8	1	EA	
3	008154-000	36" DOOR LINER WELD ASM	1	EA	
Not Shown	NOTE	(BEFORE 12/20/12)		EA	
3	008154-402	LINER,DOOR 36" WELD ASM, BK	1	EA	
Not Shown	NOTE	(ON OR AFTER 12/20/12)		EA	
NI	PE060039	GLASS-HEAT TREATED (HB2) VDSC	1	EA	
4	013290-000	HINGE, DOOR, VGCC36" - PINK SPRING	2	EA	
<p>Comments for Part Num. 013290-000</p> <p>CAREYSAPPLIANCE@HOTMAIL.COM on Feb 15, 2018 in door view hinges are showing 2 different hinges #15) part 002740-000 #17) part 013290-000 these part numbers in middleby do not cross over to each other please correct with the correct part numbers Thanks Dan</p>					
5	PD010003	10-24 X 1/2 PH.TR.HD.SERD.M.S.	2	EA	
6	007854-000	DOOR LINER INSULATION	1	EA	
7	PE060030	OUTER DOOR GLASS	1	EA	
8	007583-000	BRACKET, GLASS	1	EA	
9	PD020014	10X3/4 PH TR HD SMS	6	EA	
10	030823-000	#10-32 PAN HEAD PHILLIPS MACHINE SCREW	4	EA	
11	003012-000	DOOR HANDLE ENDCAP ASSY, RH (CHROME)	1	EA	
11	003012-100	DOOR HANDLE ENDCAP ASSY, RH (BRASS) - NLA	1	EA	
12	PD020033	SRW-NO.10-24X1/2T(23)PH.WFR HD (NKL)	3	EA	
13	PE010030	LOGO	1	EA	
13	PE010068	LOGO 6" (VGRC) BK/BR	1	EA	
14	008166-000	PANEL, DOOR, ASM, OTR, GSC, SS	1	EA	



Item	Part No.	Name	Qty	Uom	NOTES
14	020693-002	SRV DOOR SKIN KIT, 36" BK, VGSC, VGCC	1	EA	Not available online / Call for pricing and availability
14	020693-003	SRV DOOR SKIN KIT, 36" BT, VGSC, VGCC	1	EA	
14	020693-004	SRV DOOR SKIN KIT, 36" SG, VGSC, VGCC	1	EA	
14	020693-005	SRV DOOR SKIN KIT, 36" GG, VGSC, VGCC	1	EA	
14	020693-006	SRV DOOR SKIN KIT, 36" WH, VGSC, VGCC	1	EA	
14	020693-008	SRV DOOR SKIN KIT, 36" BU, VGSC, VGCC	1	EA	
14	020693-009	SRV DOOR SKIN KIT, 36" LE, VGSC, VGCC	1	EA	
14	020693-010	SRV DOOR SKIN KIT, 36" MJ, VGSC, VGCC	1	EA	
14	020693-012	SRV DOOR SKIN KIT, 36" VB, VGSC, VGCC	1	EA	Not available online / Call for pricing and availability
14	020693-013	SRV DOOR SKIN KIT, 36" CB, VGSC, VGCC	1	EA	
14	020693-015	SRV DOOR SKIN KIT, 36" PL, VGSC, VGCC	1	EA	
14	020693-016	SRV DOOR SKIN KIT, 36" CH, VGSC, VGCC	1	EA	Not available online / Call for pricing and availability
14	020693-017	SRV DOOR SKIN KIT, 36" TP, VGSC, VGCC	1	EA	
14	020693-018	SRV DOOR SKIN KIT, 36" CW, VGSC, VGCC NLA	1	EA	
14	020693-019	SRV DOOR SKIN KIT, 36" OG, VGSC, VGCC	1	EA	
14	020693-020	SRV DOOR SKIN KIT, 36" GM, VGSC, VGCC	1	EA	
14	020693-021	SRV DOOR SKIN KIT, 36" SA, VGSC, VGCC	1	EA	
14	020693-022	SRV DOOR SKIN KIT, 36" SE, VGSC, VGCC	1	EA	
14	020693-023	SRV DOOR SKIN KIT, 36" IB, VGSC, VGCC	1	EA	
14	020693-024	SRV DOOR SKIN KIT, 36" AR, VGSC, VGCC	1	EA	

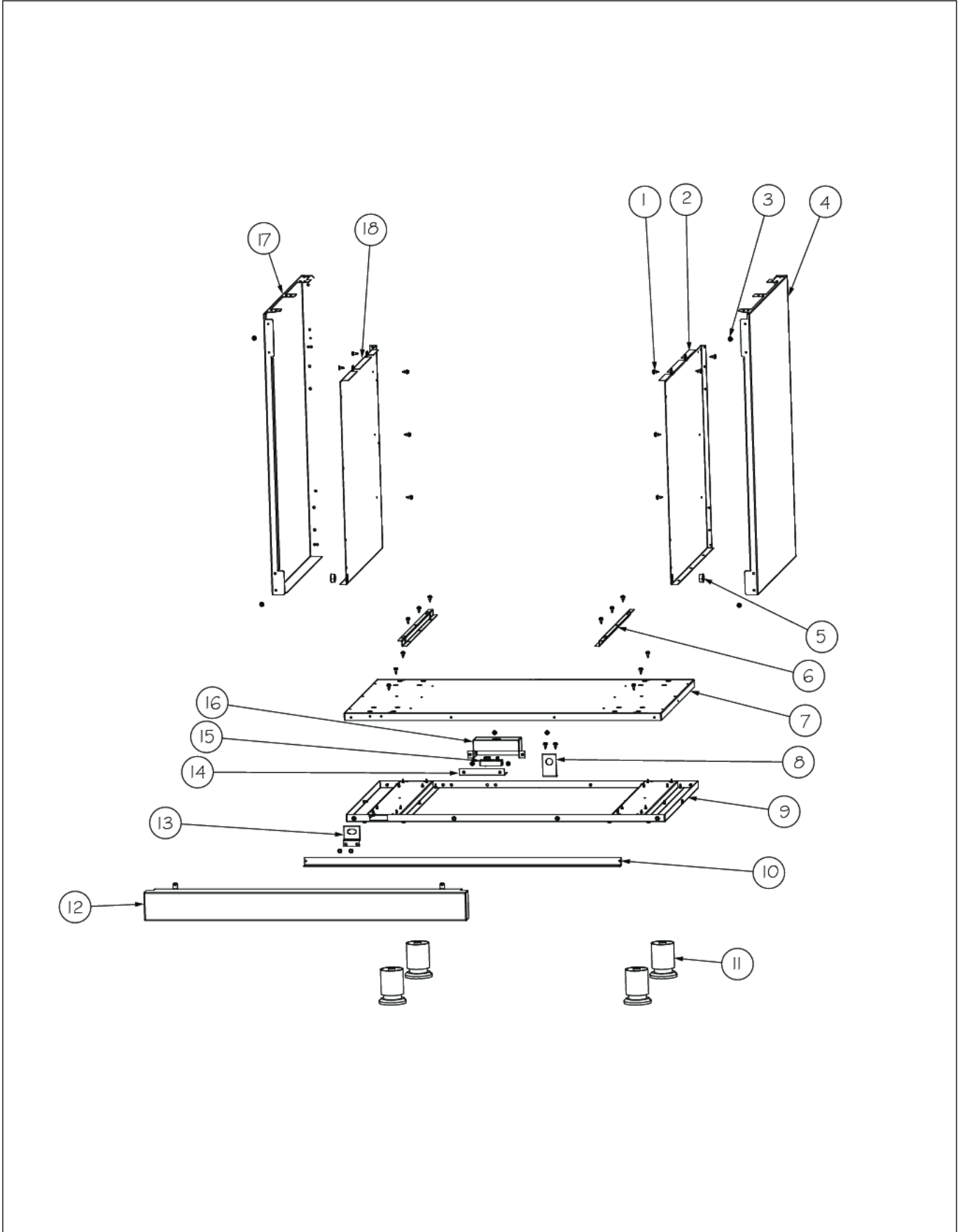


Item	Part No.	Name	Qty	Uom	NOTES
14	020693-025	SRV DOOR SKIN KIT, 36" RR, VGSC, VGCC	1	EA	
14	020693-026	SRV DOOR SKIN KIT, 36" PM, VGSC, VGCC	1	EA	
14	020693-027	SRV DOOR SKIN KIT, 36" MS, VGSC, VGCC	1	EA	
14	020693-051	SRV DOOR SKIN KIT, 36 CN, VGSC, VGCC	1	EA	
14	020693-052	SRV DOOR SKIN KIT, 36 DJ, VGSC, VGCC	1	EA	Not available online / Call for pricing and availability
14	020693-053	SRV DOOR SKIN KIT, 36 KB, VGSC, VGCC	1	EA	
14	020693-054	SRV DOOR SKIN KIT, 36 WS, VGSC, VGCC	1	EA	
15	003011-000	DOOR HANDLE ENDCAP ASSY, LH (CHROME)	1	EA	
15	003011-100	DOOR HANDLE ENDCAP ASSY, LH (BRASS)	1	EA	
16	006080-000	36" DOOR HANDLE, 35.5	1	EA	
17	007883-000	RETAINER LINER, 36"	1	EA	
18	A2002189	DOOR GLASS STANDOFF (VDSC)	2	EA	
19	PD020063	SCREW-#8(A) X 3/8"PH WFR HD/BK OXID	4	EA	
20	008165-000	DOOR PLUG ASSY, 36"	1	EA	
Not Shown	NOTE	(BEFORE 12/20/12)		EA	
20	008165-402	Door Plug Assy, BK	1	EA	
Not Shown	NOTE	(ON OR AFTER 12/20/12)		EA	
NI	011524-002	COMPLETE DOOR ASM - BK	1	EA	Not available online / Call for pricing and availability
NI	011524-003	COMPLETE DOOR ASM - BT	1	EA	
NI	011524-004	COMPLETE DOOR ASM - SG	1	EA	
NI	011524-005	COMPLETE DOOR ASM - GG	1	EA	
NI	011524-006	COMPLETE DOOR ASM - WH	1	EA	
NI	011524-007	COMPLETE DOOR ASM - AL	1	EA	
NI	011524-008	COMPLETE DOOR ASM - BU	1	EA	

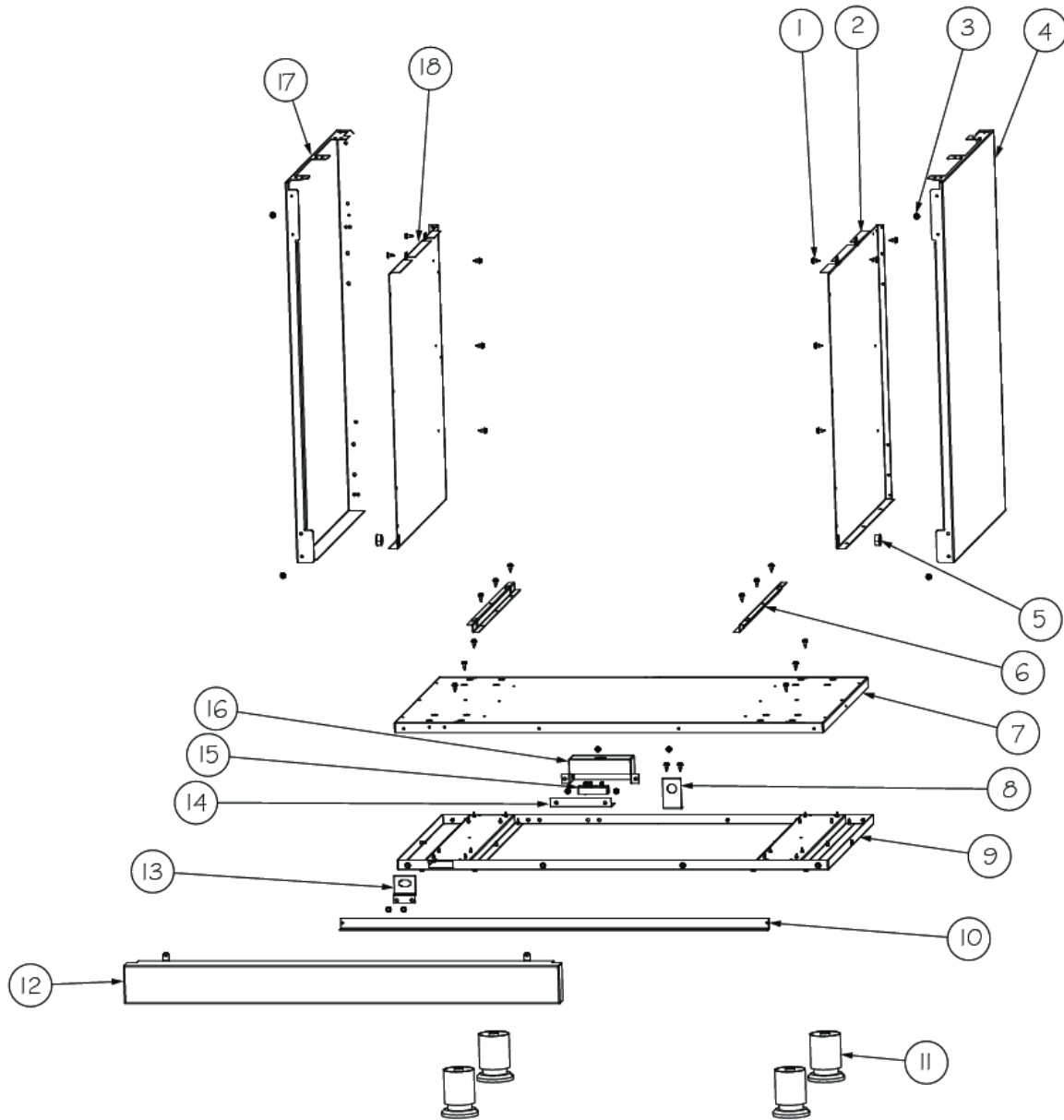


Item	Part No.	Name	Qty	Uom	NOTES
NI	011524-009	COMPLETE DOOR ASM - LE	1	EA	
NI	011524-010	COMPLETE DOOR ASM - MJ	1	EA	
NI	011524-011	COMPLETE DOOR ASM - FG	1	EA	
NI	011524-012	COMPLETE DOOR ASM - VB	1	EA	
NI	011524-013	COMPLETE DOOR ASM - CB	1	EA	
NI	011524-014	COMPLETE DOOR ASM - EP	1	EA	
NI	011524-015	COMPLETE DOOR ASM - PL	1	EA	
NI	011524-016	COMPLETE DOOR ASM - CH	1	EA	
NI	011524-017	COMPLETE DOOR ASM - TP	1	EA	
NI	011524-018	COMPLETE DOOR ASM - CW NLA	1	EA	
NI	011524-019	COMPLETE DOOR ASM - OG	1	EA	
NI	011524-020	COMPLETE DOOR ASM - GM	1	EA	
NI	011524-021	COMPLETE DOOR ASM - SA	1	EA	Not available online / Call for pricing and availability
NI	011524-022	COMPLETE DOOR ASM - SE	1	EA	
NI	011524-023	COMPLETE DOOR ASM - IB	1	EA	
NI	011524-024	COMPLETE DOOR ASM - AR	1	EA	
NI	011524-025	COMPLETE DOOR ASM - RR	1	EA	
NI	011524-026	COMPLETE DOOR ASM - PM	1	EA	
NI	011524-027	COMPLETE DOOR ASM - MS	1	EA	

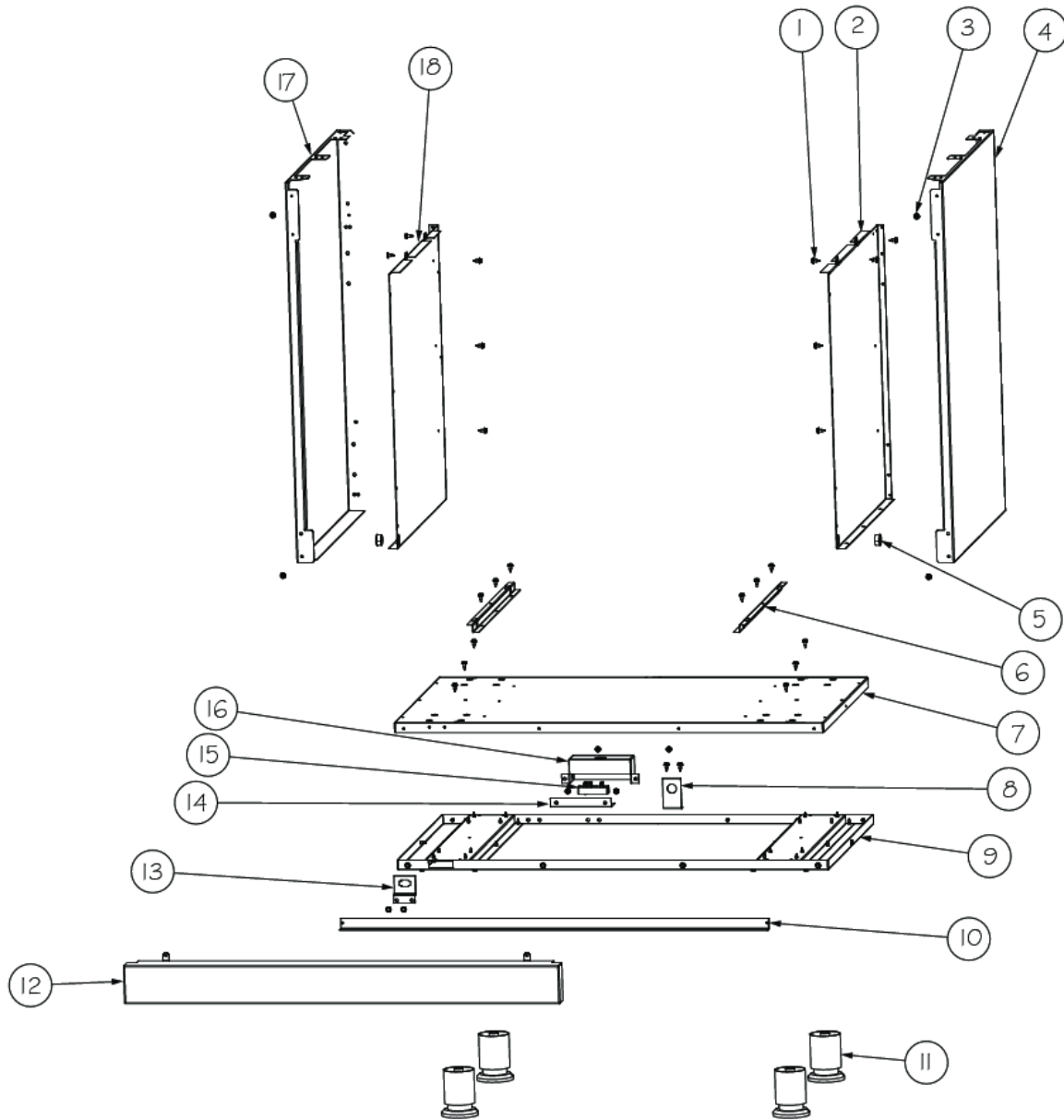
LOWER UNIT AND SIDE PANEL



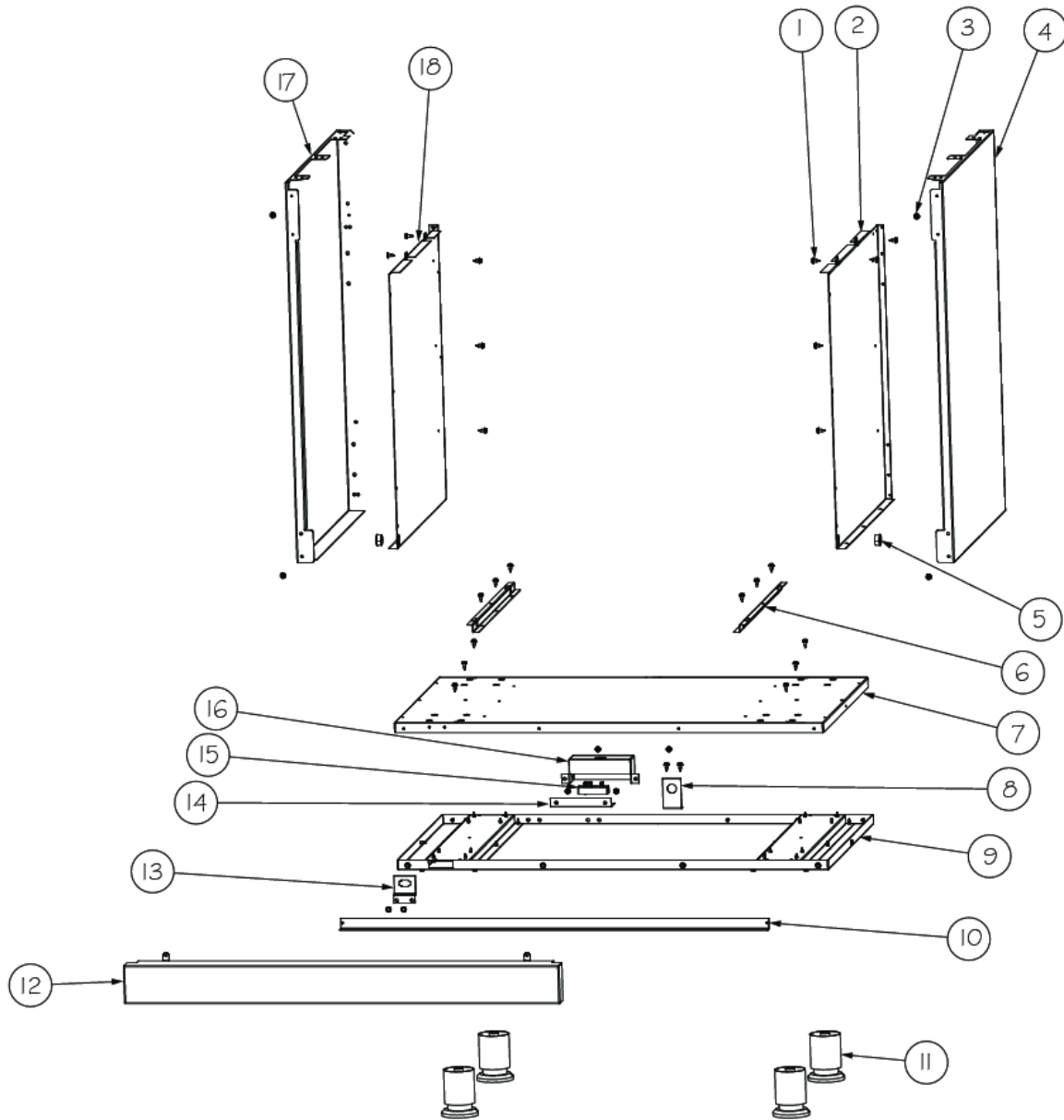
Item	Part No.	Name	Qty	Uom	NOTES
1	003860-000	FASTENER,SCR,HXWH,STL,ZP LT,10-18 x .500	29	EA	
2	004479-000	INSULATION, PNL, SIDE, RH	1	EA	
3	003801-000	SHOULDER SCREW, #10	4	EA	
4	002905-000	SIDE PANEL, RH	1	EA	
Not Shown	NOTE	(BEFORE 04/29/13)		EA	
4	042666-000	COVER, OS, RH	1	EA	
Not Shown	NOTE	(BETWEEN 04/29/13 - 02/15/16)		EA	
4	056873-000	PANEL, SIDE, RH	1	EA	
Not Shown	NOTE	(ON OR AFTER 02/15/16)		EA	
4	004645-002	SIDE PANEL, RH,-BK	1	EA	
Not Shown	NOTE	(BEFORE 06/03/13)		EA	
4	042679-002	COVER, OS, RH BK	1	EA	
Not Shown	NOTE	(BETWEEN 06/03/13 - 02/15/16)		EA	
4	004645-003	SIDE PANEL, RH,-BT	1	EA	
Not Shown	NOTE	(BEFORE 06/03/13)		EA	
4	042679-003	COVER, OS, RH BT	1	EA	
Not Shown	NOTE	(BETWEEN 06/03/13 - 02/15/16)		EA	
4	004645-004	SIDE PANEL, RH,-SG	1	EA	
Not Shown	NOTE	(BEFORE 06/03/13)		EA	
4	042679-004	COVER, OS, RH SG	1	EA	
Not Shown	NOTE	(BETWEEN 06/03/13 - 02/15/16)		EA	
4	004645-005	SIDE PANEL, RH,-GG	1	EA	
Not Shown	NOTE	(BEFORE 06/03/13)		EA	
4	042679-005	COVER, OS, RH GG	1	EA	
Not Shown	NOTE	(BETWEEN 06/03/13 - 02/15/16)		EA	
4	004645-006	SIDE PANEL, RH,-WH	1	EA	



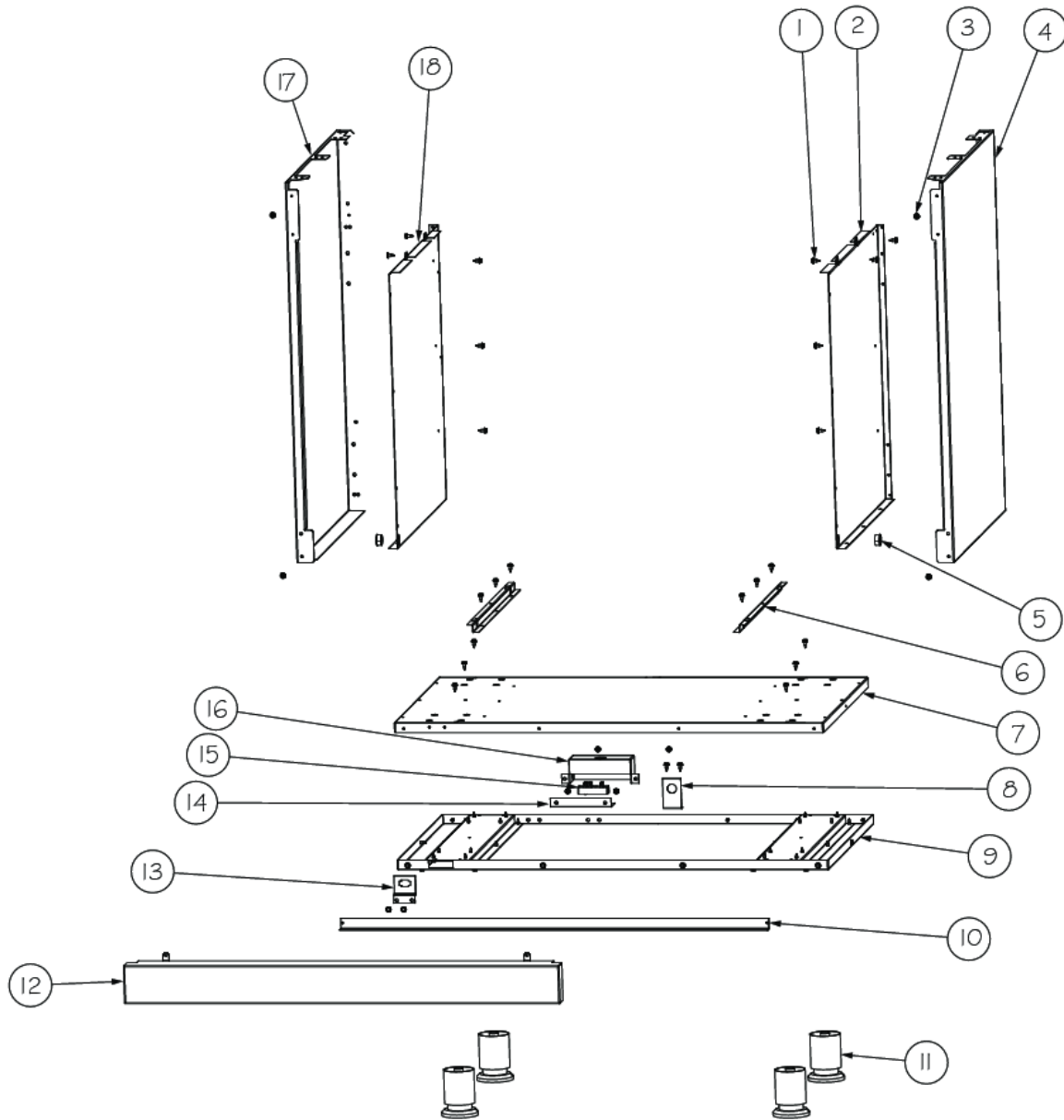
Item	Part No.	Name	Qty	Uom	NOTES
Not Shown	NOTE	(BEFORE 06/03/13)		EA	
4	042679-006	COVER, OS, RH WH	1	EA	
Not Shown	NOTE	(BETWEEN 06/03/13 - 02/15/16)		EA	
4	004645-008	SIDE PANEL, RH,-BU	1	EA	
Not Shown	NOTE	(BEFORE 06/03/13)		EA	
4	042679-008	COVER, OS, RH BU	1	EA	
Not Shown	NOTE	(BETWEEN 06/03/13 - 02/15/16)		EA	
4	004645-009	SIDE PANEL, RH,-LE	1	EA	
Not Shown	NOTE	(BEFORE 06/03/13)		EA	
4	042679-009	COVER, OS, RH LE	1	EA	
Not Shown	NOTE	(BETWEEN 06/03/13 - 02/15/16)		EA	
4	004645-010	SIDE PANEL, RH,-MJ	1	EA	
Not Shown	NOTE	(BEFORE 06/03/13)		EA	
4	042679-010	COVER, OS, RH MJ	1	EA	
Not Shown	NOTE	(BETWEEN 06/03/13 - 02/15/16)		EA	
4	004645-012	SIDE PANEL, RH,-VB	1	EA	
Not Shown	NOTE	(BEFORE 06/03/13)		EA	
4	042679-012	COVER, OS, RH VB	1	EA	
Not Shown	NOTE	(BETWEEN 06/03/13 - 02/15/16)		EA	
4	004645-013	SIDE PANEL, RH,-CB	1	EA	
Not Shown	NOTE	(BEFORE 06/03/13)		EA	
4	042679-013	COVER, OS, RH CB	1	EA	
Not Shown	NOTE	(BETWEEN 06/03/13 - 02/15/16)		EA	
4	004645-015	SIDE PANEL, RH,-PL	1	EA	Not available online / Call for pricing and availability
Not Shown	NOTE	(BEFORE 06/03/13)		EA	



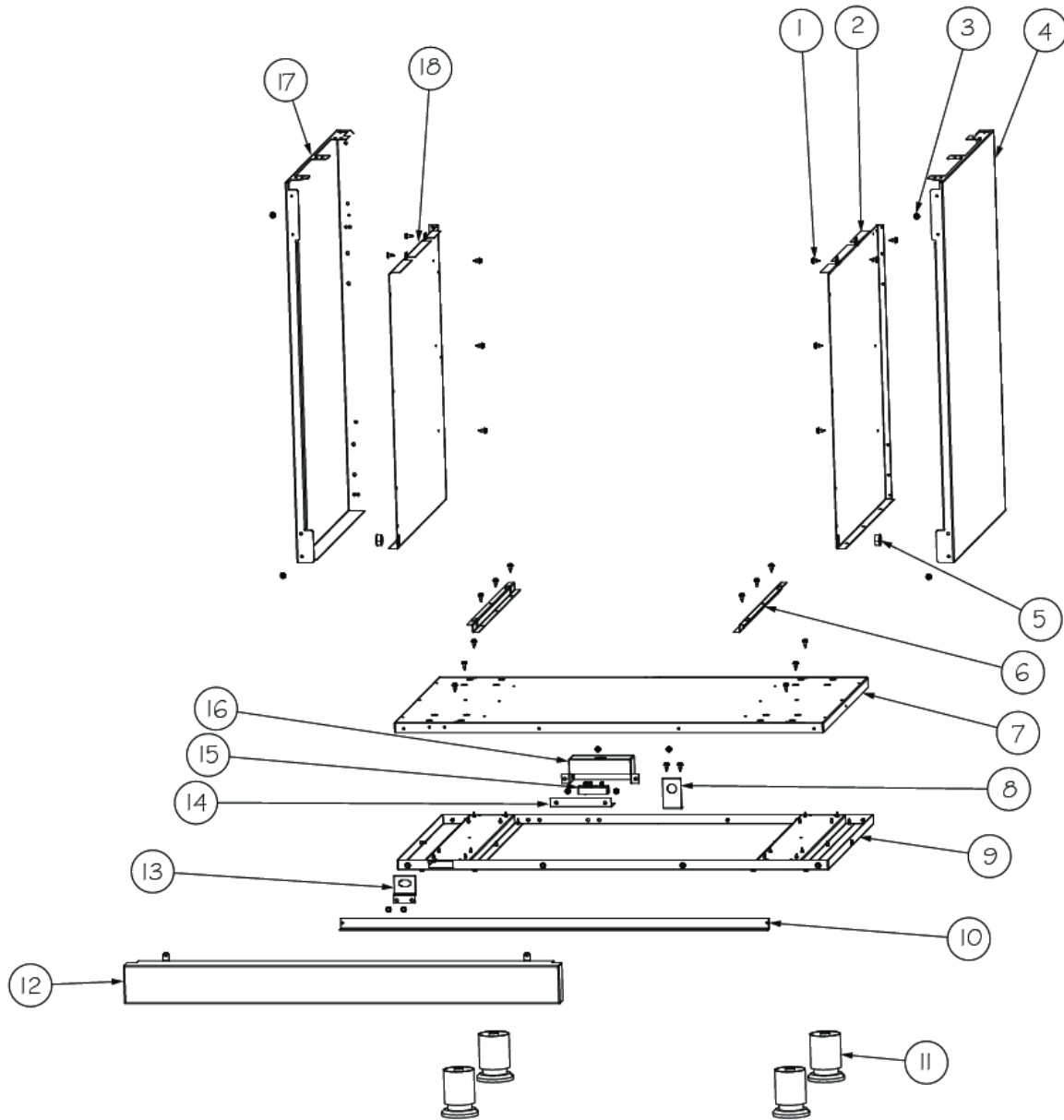
Item	Part No.	Name	Qty	Uom	NOTES
4	042679-015	COVER, OS, RH PL	1	EA	
Not Shown	NOTE	(BETWEEN 06/03/13 - 02/15/16)		EA	
4	004645-016	SIDE PANEL, RH,-CH	1	EA	
Not Shown	NOTE	(BEFORE 06/03/13)		EA	
4	042679-016	COVER, OS, RH CH	1	EA	
Not Shown	NOTE	(BETWEEN 06/03/13 - 02/15/16)		EA	
4	004645-017	SIDE PANEL, RH,-TP	1	EA	
Not Shown	NOTE	(BEFORE 06/03/13)		EA	
4	042679-017	COVER, OS, RH TP	1	EA	
Not Shown	NOTE	(BETWEEN 06/03/13 - 02/15/16)		EA	
4	004645-018	SIDE PANEL, RH,-CW - NLA	1	EA	
Not Shown	NOTE	(BEFORE 06/03/13)		EA	
4	042679-017	COVER, OS, RH TP	1	EA	
Not Shown	NOTE	(BETWEEN 06/03/13 - 02/15/16)		EA	
4	004645-019	SIDE PANEL, RH,-OG	1	EA	
Not Shown	NOTE	(BEFORE 06/03/13)		EA	
4	042679-019	COVER, OS, RH OG	1	EA	
Not Shown	NOTE	(BETWEEN 06/03/13 - 02/15/16)		EA	
4	004645-020	SIDE PANEL, RH,-GM	1	EA	
Not Shown	NOTE	(BEFORE 06/03/13)		EA	
4	042679-020	COVER, OS, RH GM	1	EA	
Not Shown	NOTE	(BETWEEN 06/03/13 - 02/15/16)		EA	
4	004645-021	SIDE PANEL, RH,-SA	1	EA	
Not Shown	NOTE	(BEFORE 06/03/13)		EA	
4	042679-021	COVER, OS, RH SA	1	EA	
Not Shown	NOTE	(BETWEEN 06/03/13 - 02/15/16)		EA	



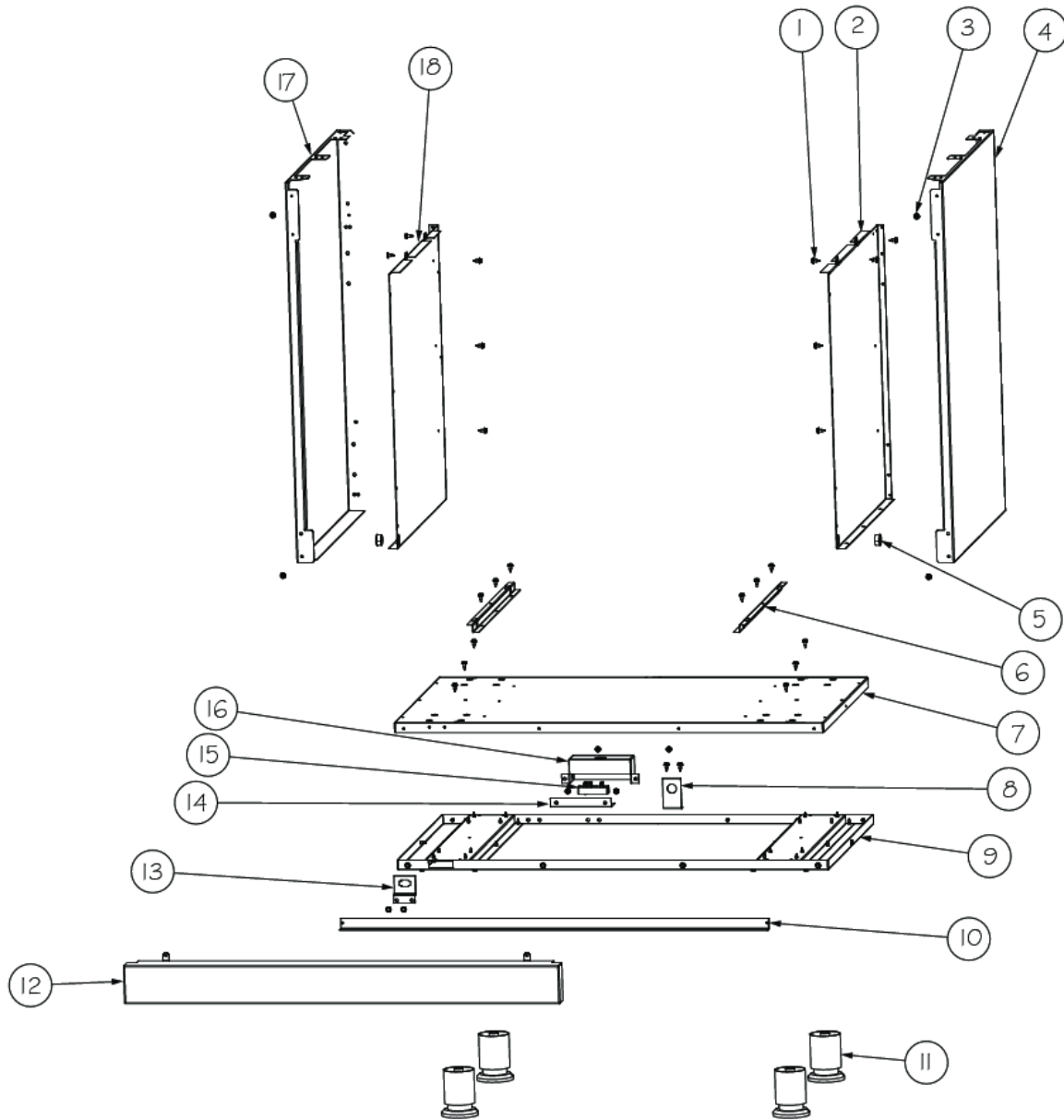
Item	Part No.	Name	Qty	Uom	NOTES
4	004645-022	SIDE PANEL, RH,-SE	1	EA	Not available online / Call for pricing and availability
Not Shown	NOTE	(BEFORE 06/03/13)		EA	
4	042679-022	COVER, OS, RH SE	1	EA	
Not Shown	NOTE	(BETWEEN 06/03/13 - 02/15/16)		EA	
4	004645-023	SIDE PANEL, RH,-IB	1	EA	
Not Shown	NOTE	(BEFORE 06/03/13)		EA	
4	042679-023	COVER, OS, RG IB	1	EA	
Not Shown	NOTE	(BETWEEN 06/03/13 - 02/15/16)		EA	
4	004645-024	SIDE PANEL, RH,-AR	1	EA	
Not Shown	NOTE	(BEFORE 06/03/13)		EA	
4	042679-024	COVER, OS, RH AR	1	EA	
Not Shown	NOTE	(BETWEEN 06/03/13 - 02/15/16)		EA	
4	004645-025	SIDE PANEL RH - RR	1	EA	Not available online / Call for pricing and availability
Not Shown	NOTE	(BEFORE 06/03/13)		EA	
4	042679-025	COVER, OS, RH RR	1	EA	
Not Shown	NOTE	(BETWEEN 06/03/13 - 02/15/16)		EA	
4	004645-026	SIDE PANEL, RH,-PM	1	EA	
Not Shown	NOTE	(BEFORE 06/03/13)		EA	
4	042679-026	COVER, OS, RH PM	1	EA	
Not Shown	NOTE	(BETWEEN 06/03/13 - 02/15/16)		EA	
4	004645-027	SIDE PANEL, RH,-MS	1	EA	
Not Shown	NOTE	(BEFORE 06/03/13)		EA	
4	042679-027	COVER, OS, RH MS	1	EA	
Not Shown	NOTE	(BETWEEN 06/03/13 - 02/15/16)		EA	



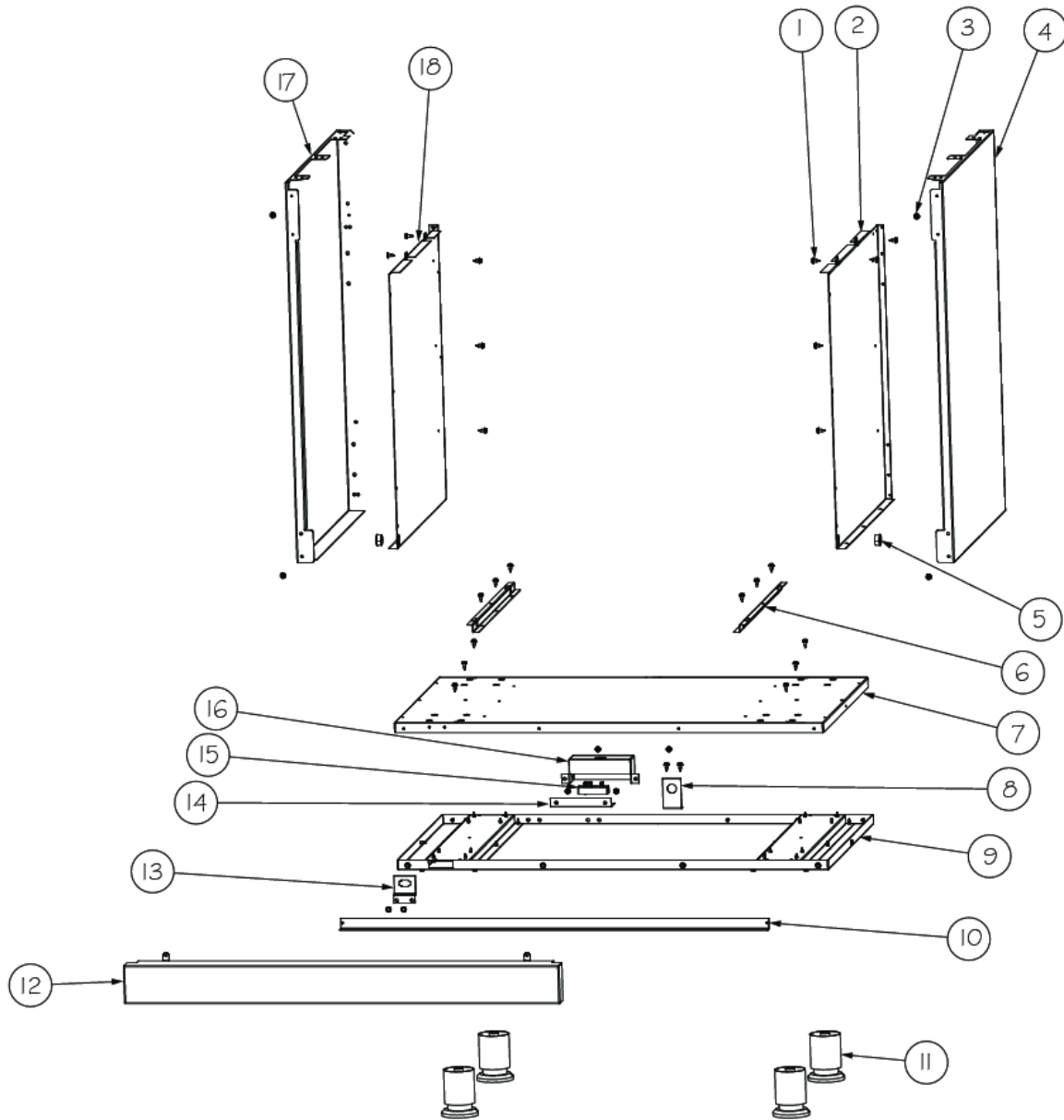
Item	Part No.	Name	Qty	Uom	NOTES
5	PD040005	SNAP BUSHING, 7/8"	2	EA	
6	A2004429	OVEN BOTTOM INSUL. BRACE (VGSC306)	2	EA	
7	020604-000	BASE, RANGE	1	EA	
8	005529-000	BAKE ORIFICE MOUNTING BRACKET	1	EA	
Not Shown	NOTE	(BEFORE 2/11/13)		EA	
8	040736-000	BRKT, ORF	1	EA	
Not Shown	NOTE	(ON OR AFTER 2/11/13)		EA	
9	007817-000	VGCC/SC BASE ASSEMBLY, 36"	1	EA	
10	008345-000	BOTTOM SUPPORT, 36"	1	EA	
11	044178-000	RANGE, LEG, ADJUSTABLE	4	EA	
12	007851-000	VGCC/SC 536 KICKPLATE SS	1	EA	
Not Shown	NOTE	(BEFORE 06/14/12)		EA	
12	035958-000	KICKPLATE,36:á	1	EA	
Not Shown	NOTE	(FROM 06/14/12 THRU 04/05/13)		EA	
12	042287-000	KICKPLATE, GAS & DUAL FUEL, 36"	1	EA	
Not Shown	NOTE	(ON OR AFTER 04/05/13)		EA	
12	011522-002	VGCC/SC 536 KICKPLATE - BK	1	EA	
Not Shown	NOTE	(BEFORE 04/05/13)		EA	
12	042323-002	KICKPLATE, 36" DCBZ BK	1	EA	
Not Shown	NOTE	(ON OR AFTER 04/05/13)		EA	
12	011522-003	VGCC/SC 536 KICKPLATE - BT	1	EA	Not available online / Call for pricing and availability
Not Shown	NOTE	(BEFORE 04/05/13)		EA	
12	042323-003	KICKPLATE 36" BT	1	EA	
Not Shown	NOTE	(ON OR AFTER 04/05/13)		EA	
12	011522-004	VGCC/SC 536 KICKPLATE - SG	1	EA	



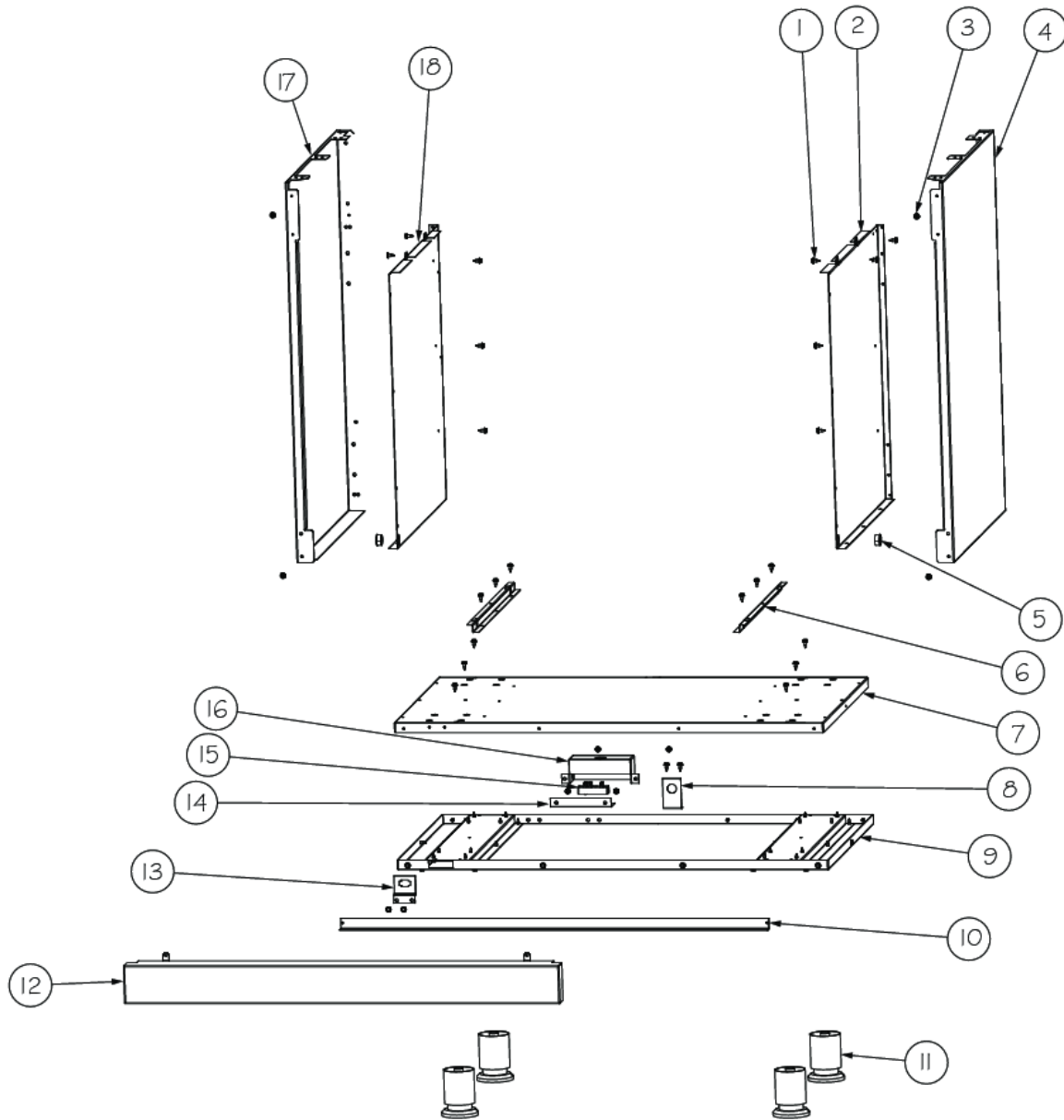
Item	Part No.	Name	Qty	Uom	NOTES
Not Shown	NOTE	(BEFORE 04/05/13)		EA	
12	042323-004	KICKPLATE 36 SG	1	EA	Not available online / Call for pricing and availability
Not Shown	NOTE	(ON OR AFTER 04/05/13)		EA	
12	011522-005	VGCC/SC 536 KICKPLATE - GG	1	EA	
Not Shown	NOTE	(BEFORE 04/05/13)		EA	
12	042323-005	KICKPLATE, 36" DCBZ GG	1	EA	
Not Shown	NOTE	(ON OR AFTER 04/05/13)		EA	
12	011522-006	VGCC/SC 536 KICKPLATE - WH	1	EA	
Not Shown	NOTE	(BEFORE 04/05/13)		EA	
12	042323-006	KICKPLATE, 36" DCBZ WH	1	EA	
Not Shown	NOTE	(ON OR AFTER 04/05/13)		EA	
12	011522-008	VGCC/SC 536 KICKPLATE - BU	1	EA	
Not Shown	NOTE	(BEFORE 04/05/13)		EA	
12	042323-008	KICKPLATE, 36" DCBZ BU	1	EA	
Not Shown	NOTE	(ON OR AFTER 04/05/13)		EA	
12	011522-009	VGCC/SC 536 KICKPLATE - LE	1	EA	
Not Shown	NOTE	(BEFORE 04/05/13)		EA	
12	042323-009	KICKPLATE 36" LE	1	EA	
Not Shown	NOTE	(ON OR AFTER 04/05/13)		EA	
12	011522-010	VGCC/SC 536 KICKPLATE -MJ	1	EA	
Not Shown	NOTE	(BEFORE 04/05/13)		EA	
12	042323-010	KICKPLATE 36" MJ	1	EA	
Not Shown	NOTE	(ON OR AFTER 04/05/13)		EA	
12	011522-012	VGCC/SC 536 KICKPLATE - VB	1	EA	Not available online / Call for pricing and availability



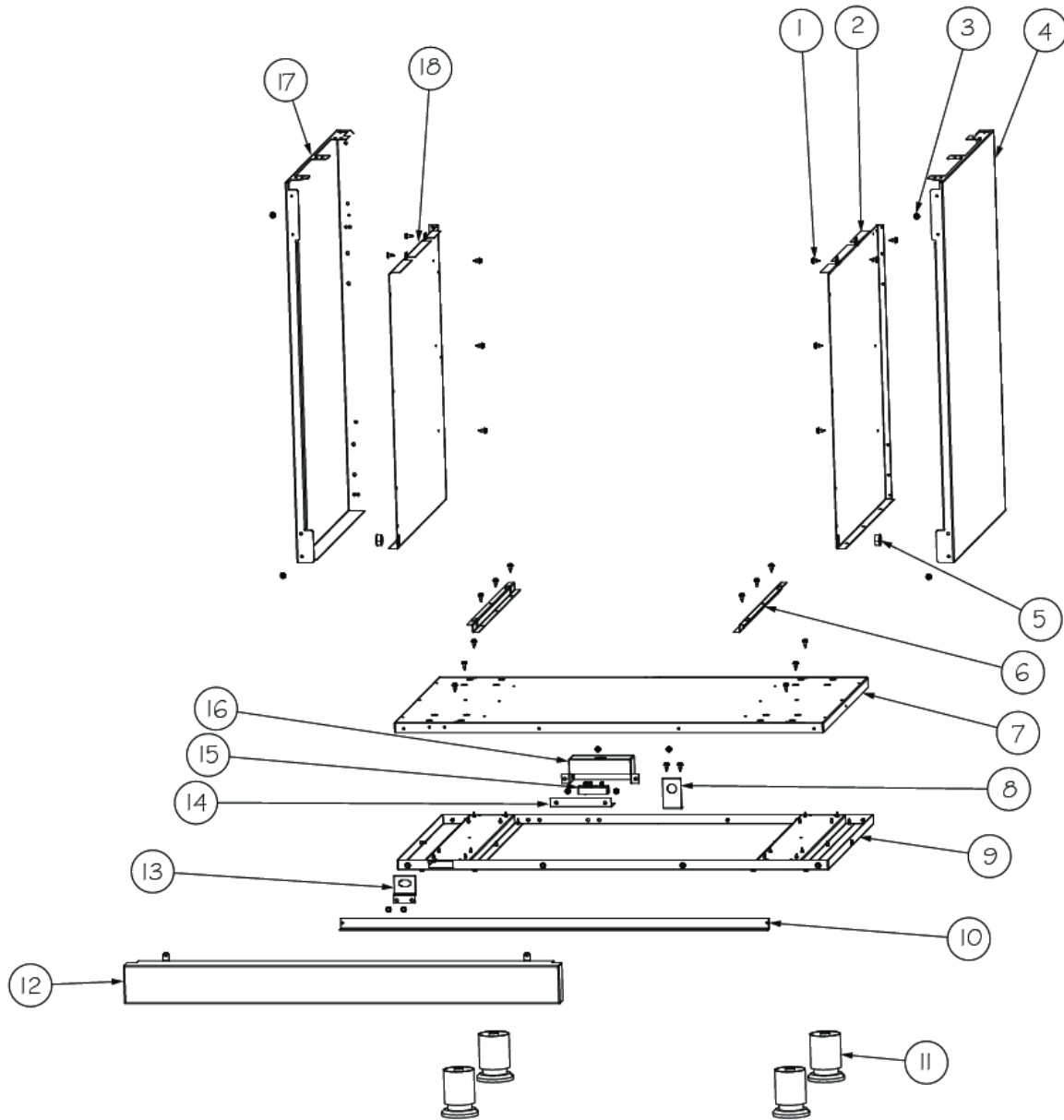
Item	Part No.	Name	Qty	Uom	NOTES
Not Shown	NOTE	(BEFORE 04/05/13)		EA	
12	042323-012	KICKPLATE 36 VB	1	EA	Not available online / Call for pricing and availability
Not Shown	NOTE	(ON OR AFTER 04/05/13)		EA	
12	011522-013	VGCC/SC 536 KICKPLATE - CB	1	EA	
Not Shown	NOTE	(BEFORE 04/05/13)		EA	
12	042323-012	KICKPLATE 36 VB	1	EA	Not available online / Call for pricing and availability
Not Shown	NOTE	(ON OR AFTER 04/05/13)		EA	
12	011522-015	VGCC/SC 536 KICKPLATE - PL	1	EA	
Not Shown	NOTE	(BEFORE 04/05/13)		EA	
12	042323-015	KICKPLATE 36" PL	1	EA	
Not Shown	NOTE	(ON OR AFTER 04/05/13)		EA	
12	011522-016	VGCC/SC 536 KICKPLATE - CH	1	EA	
Not Shown	NOTE	(BEFORE 04/05/13)		EA	
12	042323-016	KICKPLATE 36" CH	1	EA	
Not Shown	NOTE	(ON OR AFTER 04/05/13)		EA	
12	011522-017	VGCC/SC 536 KICKPLATE - TP	1	EA	
Not Shown	NOTE	(BEFORE 04/05/13)		EA	
12	042323-017	KICKPLATE 36" TP	1	EA	
Not Shown	NOTE	(ON OR AFTER 04/05/13)		EA	
12	011522-018	VGCC/SC 536 KICKPLATE - CW NLA	1	EA	
Not Shown	NOTE	(BEFORE 04/05/13)		EA	
12	042323-018	KICKPLATE 36" CW	1	EA	
Not Shown	NOTE	(ON OR AFTER 04/05/13)		EA	



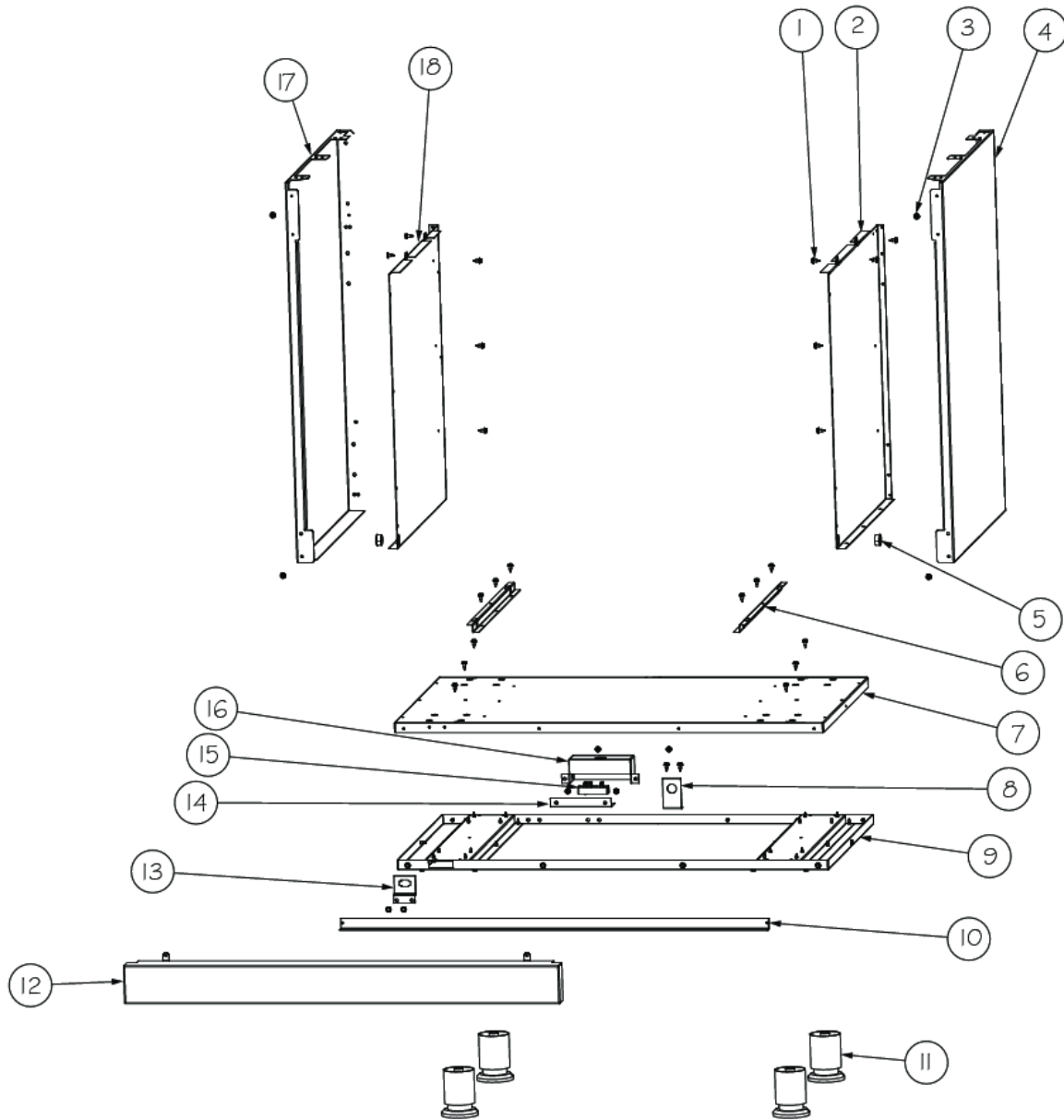
Item	Part No.	Name	Qty	Uom	NOTES
12	011522-019	VGCC/SC 536 KICKPLATE - OG	1	EA	
Not Shown	NOTE	(BEFORE 04/05/13)		EA	
12	042323-019	KICKPLATE 36" OG	1	EA	
Not Shown	NOTE	(ON OR AFTER 04/05/13)		EA	
12	011522-020	VGCC/SC 536 KICKPLATE - GM	1	EA	
Not Shown	NOTE	(BEFORE 04/05/13)		EA	
12	042323-020	KICKPLATE 36" GM	1	EA	
Not Shown	NOTE	(ON OR AFTER 04/05/13)		EA	
12	011522-021	VGCC/SC 536 KICKPLATE - SA	1	EA	
Not Shown	NOTE	(BEFORE 04/05/13)		EA	
12	042323-021	KICKPLATE 36" SA	1	EA	
Not Shown	NOTE	(ON OR AFTER 04/05/13)		EA	
12	011522-022	VGCC/SC 536 KICKPLATE - SE	1	EA	
Not Shown	NOTE	(BEFORE 04/05/13)		EA	
12	042323-022	KICKPLATE 36" SE	1	EA	
Not Shown	NOTE	(ON OR AFTER 04/05/13)		EA	
12	011522-023	VGCC/SC 536 KICKPLATE - IB	1	EA	
Not Shown	NOTE	(BEFORE 04/05/13)		EA	
12	042323-023	KICKPLATE 36" IB	1	EA	
Not Shown	NOTE	(ON OR AFTER 04/05/13)		EA	
12	011522-024	VGCC/SC 536 KICKPLATE - AR	1	EA	
Not Shown	NOTE	(BEFORE 04/05/13)		EA	
12	042323-024	KICKPLATE, 36" DCBZ AR	1	EA	
Not Shown	NOTE	(ON OR AFTER 04/05/13)		EA	
12	011522-025	VGCC/SC 536 KICKPLATE - RR	1	EA	
Not Shown	NOTE	(BEFORE 04/05/13)		EA	



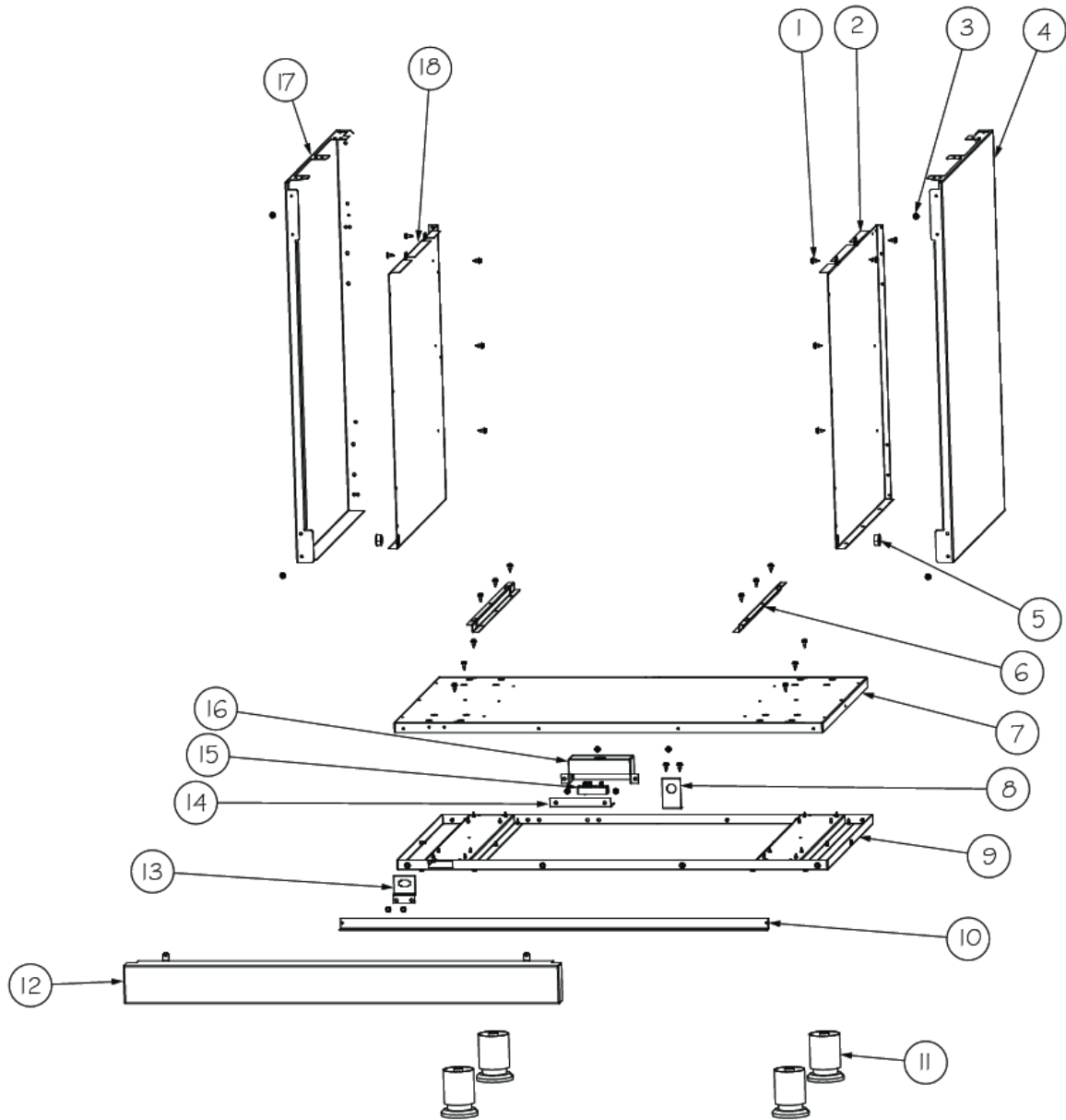
Item	Part No.	Name	Qty	Uom	NOTES
12	042323-024	KICKPLATE, 36" DCBZ AR	1	EA	
Not Shown	NOTE	(ON OR AFTER 04/05/13)		EA	
12	011522-026	VGCC/SC 536 KICKPLATE - PM	1	EA	
Not Shown	NOTE	(BEFORE 04/05/13)		EA	
12	042323-026	KICKPLATE 36" PM	1	EA	
Not Shown	NOTE	(ON OR AFTER 04/05/13)		EA	
12	011522-051	VGCC/SC 536 KICKPLATE-CN	1	EA	
Not Shown	NOTE	(BEFORE 04/05/13)		EA	
12	042323-051	KICKPLATE 36 CN	1	EA	Not available online / Call for pricing and availability
Not Shown	NOTE	(ON OR AFTER 04/05/13)		EA	
12	011522-052	VGCC/SC 536 KICKPLATE-DJ	1	EA	Not available online / Call for pricing and availability
Not Shown	NOTE	(BEFORE 04/05/13)		EA	
12	042323-052	KICKPLATE 36 DJ	1	EA	Not available online / Call for pricing and availability
Not Shown	NOTE	(ON OR AFTER 04/05/13)		EA	
12	011522-053	VGCC/SC 536 KICKPLATE-KB	1	EA	
Not Shown	NOTE	(BEFORE 04/05/13)		EA	
12	042323-053	KICKPLATE 36" KB	1	EA	
Not Shown	NOTE	(ON OR AFTER 04/05/13)		EA	
12	011522-054	VGCC/SC 536 KICKPLATE-WS	1	EA	
Not Shown	NOTE	(BEFORE 04/05/13)		EA	
12	042323-054	KICKPLATE 36 WS	1	EA	Not available online / Call for pricing and availability



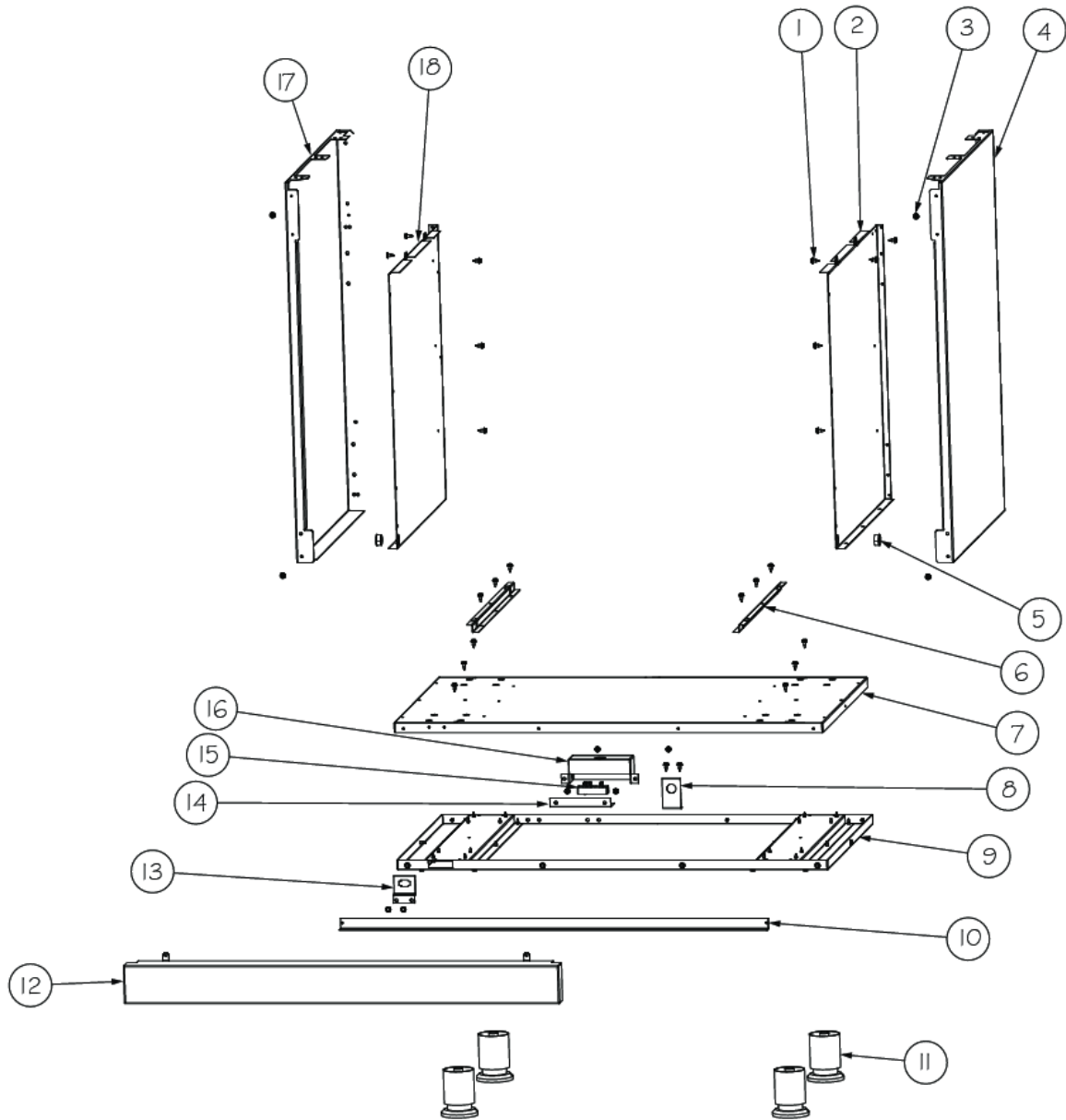
Item	Part No.	Name	Qty	Uom	NOTES
Not Shown	NOTE	(ON OR AFTER 04/05/13)		EA	
13	005280-000	DISCONNECT BRKT	1	EA	
14	007484-000	TERMINAL, BLOCK, BRACKET	1	EA	
15	007400-000	BLOCK, TERMINAL	1	EA	
16	031961-000	COVER, TERM. BLOCK	1	EA	
17	003588-000	SIDE PANEL, LH	1	EA	
Not Shown	NOTE	(BEFORE 04/29/13)		EA	
17	042648-000	COVER, OS, LH	1	EA	
Not Shown	NOTE	(BETWEEN 04/29/13 - 02/15/16)		EA	
17	056872-000	PANEL, SIDE, LH	1	EA	
Not Shown	NOTE	(ON OR AFTER 02/15/16)		EA	
17	005505-002	SIDE PANEL, LH BK	1	EA	
Not Shown	NOTE	(BEFORE 06/03/13)		EA	
17	042678-002	COVER, OS, LH BK	1	EA	
Not Shown	NOTE	(BETWEEN 06/03/13 - 02/15/16)		EA	
17	005505-003	INSULATION, PNL, SIDE, LH - BT	1	EA	
Not Shown	NOTE	(BEFORE 06/03/13)		EA	
17	042678-003	COVER, OS, LH BT	1	EA	
Not Shown	NOTE	(BETWEEN 06/03/13 - 02/15/16)		EA	
17	005505-004	INSULATION, PNL, SIDE, LH - SG	1	EA	
Not Shown	NOTE	(BEFORE 06/03/13)		EA	
17	042678-004	COVER, OS, LH SG	1	EA	
Not Shown	NOTE	(BETWEEN 06/03/13 - 02/15/16)		EA	
17	005505-005	INSULATION, PNL, SIDE, LH - GG	1	EA	Not available online / Call for pricing and availability
Not Shown	NOTE	(BEFORE 06/03/13)		EA	



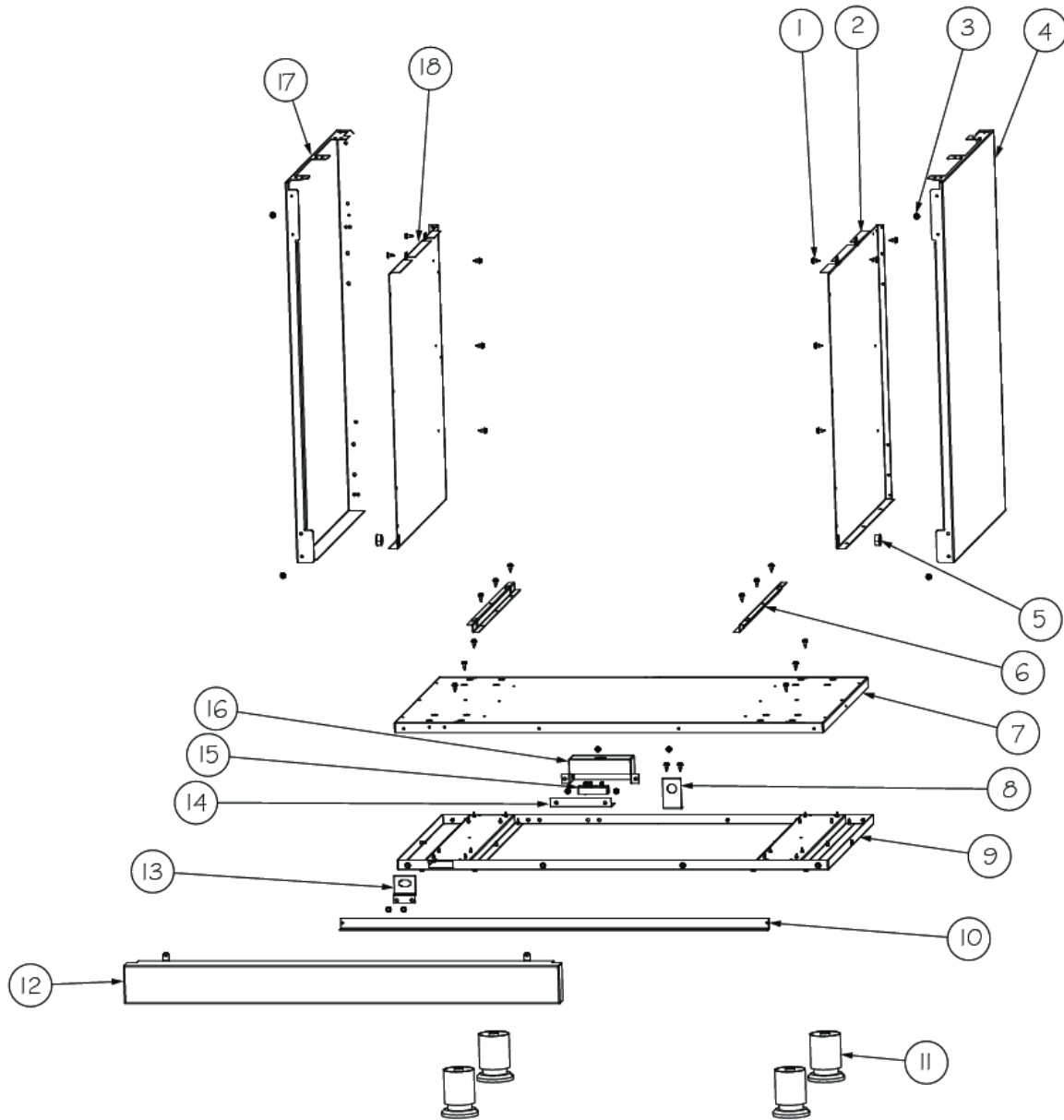
Item	Part No.	Name	Qty	Uom	NOTES
17	042678-005	COVER, OS, LH GG	1	EA	
Not Shown	NOTE	(BETWEEN 06/03/13 - 02/15/16)		EA	
17	005505-006	INSULATION, PNL, SIDE, LH - WH	1	EA	
Not Shown	NOTE	(BEFORE 06/03/13)		EA	
17	042678-006	COVER, OS, LH WH	1	EA	
Not Shown	NOTE	(BETWEEN 06/03/13 - 02/15/16)		EA	
17	005505-008	INSULATION, PNL, SIDE, LH - BU	1	EA	
Not Shown	NOTE	(BEFORE 06/03/13)		EA	
17	042678-008	COVER, OS, LH BU	1	EA	
Not Shown	NOTE	(BETWEEN 06/03/13 - 02/15/16)		EA	
17	005505-009	INSULATION, PNL, SIDE, LH - LE	1	EA	
Not Shown	NOTE	(BEFORE 06/03/13)		EA	
17	042678-009	COVER, OS, LH LE	1	EA	
Not Shown	NOTE	(BETWEEN 06/03/13 - 02/15/16)		EA	
17	005505-010	INSULATION, PNL, SIDE, LH - MJ	1	EA	
Not Shown	NOTE	(BEFORE 06/03/13)		EA	
17	042678-010	COVER, OS, LH MJ	1	EA	
Not Shown	NOTE	(BETWEEN 06/03/13 - 02/15/16)		EA	
17	005505-012	INSULATION, PNL, SIDE, LH - VB	1	EA	
Not Shown	NOTE	(BEFORE 06/03/13)		EA	
17	042678-012	COVER, OS, LH VB	1	EA	
Not Shown	NOTE	(BETWEEN 06/03/13 - 02/15/16)		EA	
17	005505-013	INSULATION, PNL, SIDE, LH - CB	1	EA	
Not Shown	NOTE	(BEFORE 06/03/13)		EA	



Item	Part No.	Name	Qty	Uom	NOTES
17	042678-013	COVER, OS, LH EP	1	EA	
Not Shown	NOTE	(BETWEEN 06/03/13 - 02/15/16)		EA	
17	005505-015	INSULATION, PNL, SIDE, LH - PL	1	EA	
Not Shown	NOTE	(BEFORE 06/03/13)		EA	
17	042678-015	COVER, OS, LH PL	1	EA	
Not Shown	NOTE	(BETWEEN 06/03/13 - 02/15/16)		EA	
17	005505-016	INSULATION, PNL, SIDE, LH - CH	1	EA	
Not Shown	NOTE	(BEFORE 06/03/13)		EA	
17	042678-016	COVER, OS, LH CH	1	EA	
Not Shown	NOTE	(BETWEEN 06/03/13 - 02/15/16)		EA	
17	005505-017	INSULATION, PNL, SIDE, LH - TP	1	EA	
Not Shown	NOTE	(BEFORE 06/03/13)		EA	
17	042678-017	COVER, OS, LH TP	1	EA	
Not Shown	NOTE	(BETWEEN 06/03/13 - 02/15/16)		EA	
17	005505-018	INSULATION, PNL, SIDE, LH - CW - NLA	1	EA	
Not Shown	NOTE	(BEFORE 06/03/13)		EA	
17	042678-018	COVER, OS, LH CW	1	EA	
Not Shown	NOTE	(BETWEEN 06/03/13 - 02/15/16)		EA	
17	005505-019	INSULATION, PNL, SIDE, LH - OG	1	EA	
Not Shown	NOTE	(BEFORE 06/03/13)		EA	
17	042678-019	COVER, OS, LH OG	1	EA	
Not Shown	NOTE	(BETWEEN 06/03/13 - 02/15/16)		EA	
17	005505-020	INSULATION, PNL, SIDE, LH - GM	1	EA	
Not Shown	NOTE	(BEFORE 06/03/13)		EA	



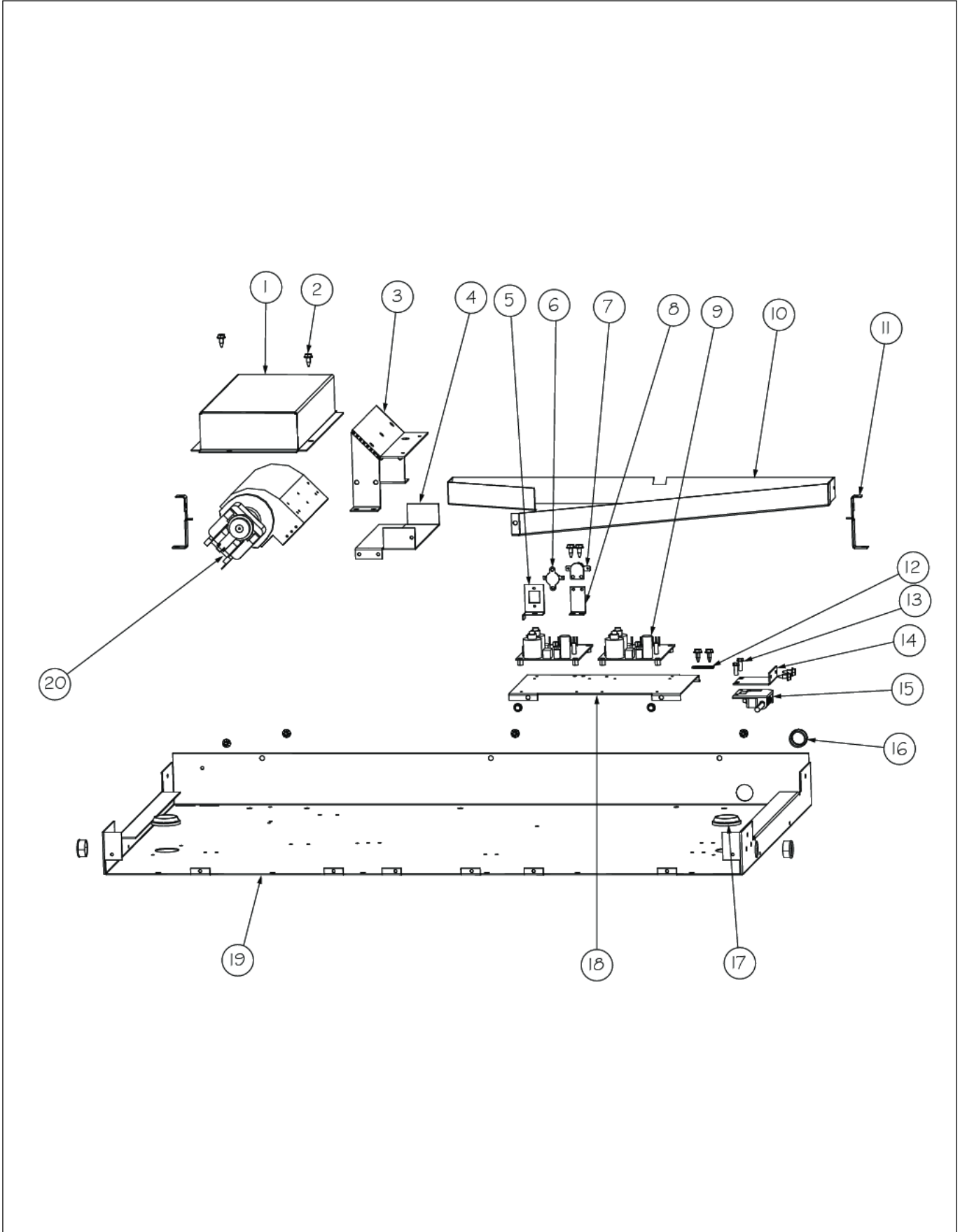
Item	Part No.	Name	Qty	Uom	NOTES
17	042678-020	COVER, OS, LH GM	1	EA	
Not Shown	NOTE	(BETWEEN 06/03/13 - 02/15/16)		EA	
17	005505-021	INSULATION, PNL, SIDE, LH - SA	1	EA	
Not Shown	NOTE	(BEFORE 06/03/13)		EA	
17	042678-021	COVER, OS, LH SA	1	EA	
Not Shown	NOTE	(BETWEEN 06/03/13 - 02/15/16)		EA	
17	005505-022	INSULATION, PNL, SIDE, LH - SE	1	EA	
Not Shown	NOTE	(BEFORE 06/03/13)		EA	
17	042678-022	COVER, OS, LH SE	1	EA	
Not Shown	NOTE	(BETWEEN 06/03/13 - 02/15/16)		EA	
17	005505-023	INSULATION, PNL, SIDE, LH - IB	1	EA	
Not Shown	NOTE	(BEFORE 06/03/13)		EA	
17	042678-023	COVER, OS, LH IB	1	EA	
Not Shown	NOTE	(BETWEEN 06/03/13 - 02/15/16)		EA	
17	005505-024	INSULATION, PNL, SIDE, LH - AR	1	EA	
Not Shown	NOTE	(BEFORE 06/03/13)		EA	
17	042678-024	COVER, OS, LH AR	1	EA	
Not Shown	NOTE	(BETWEEN 06/03/13 - 02/15/16)		EA	
17	005505-025	SIDE PANEL LH - RR	1	EA	
Not Shown	NOTE	(BEFORE 06/03/13)		EA	
17	042678-025	COVER, OS, LH RR	1	EA	
Not Shown	NOTE	(BETWEEN 06/03/13 - 02/15/16)		EA	
17	005505-026	INSULATION, PNL, SIDE, LH - PM	1	EA	
Not Shown	NOTE	(BEFORE 06/03/13)		EA	
17	042678-026	COVER, OS, LH PM	1	EA	





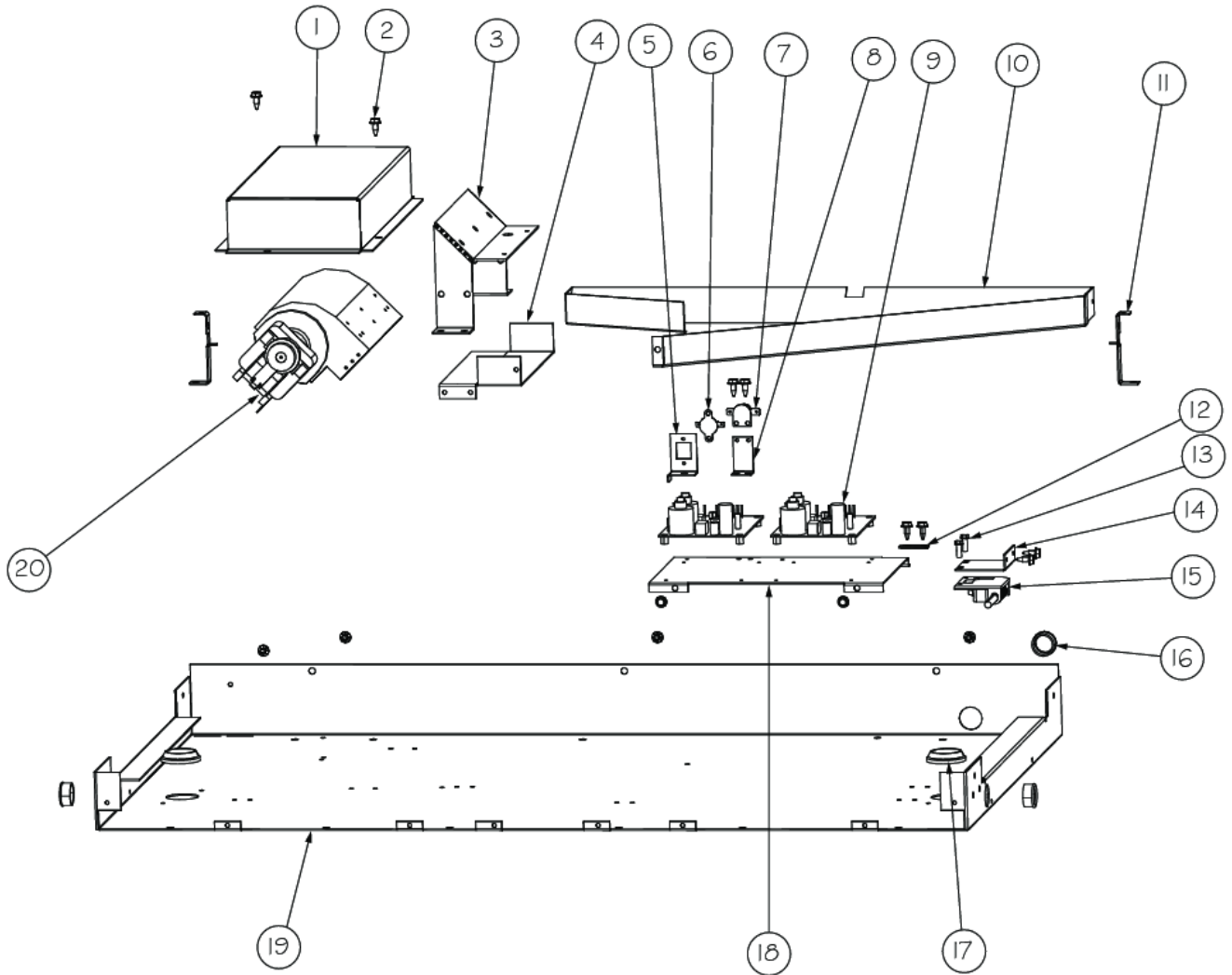
Item	Part No.	Name	Qty	Uom	NOTES
Not Shown	NOTE	(BETWEEN 06/03/13 - 02/15/16)		EA	
17	005505-027	INSULATION, PNL, SIDE, LH - MS	1	EA	
Not Shown	NOTE	(BEFORE 06/03/13)		EA	
17	042678-027	COVER, OS, LH MS	1	EA	
Not Shown	NOTE	(BETWEEN 06/03/13 - 02/15/16)		EA	
18	004482-000	INSULATION, PNL, SIDE, LH	1	EA	

OVEN ELECTRONICS





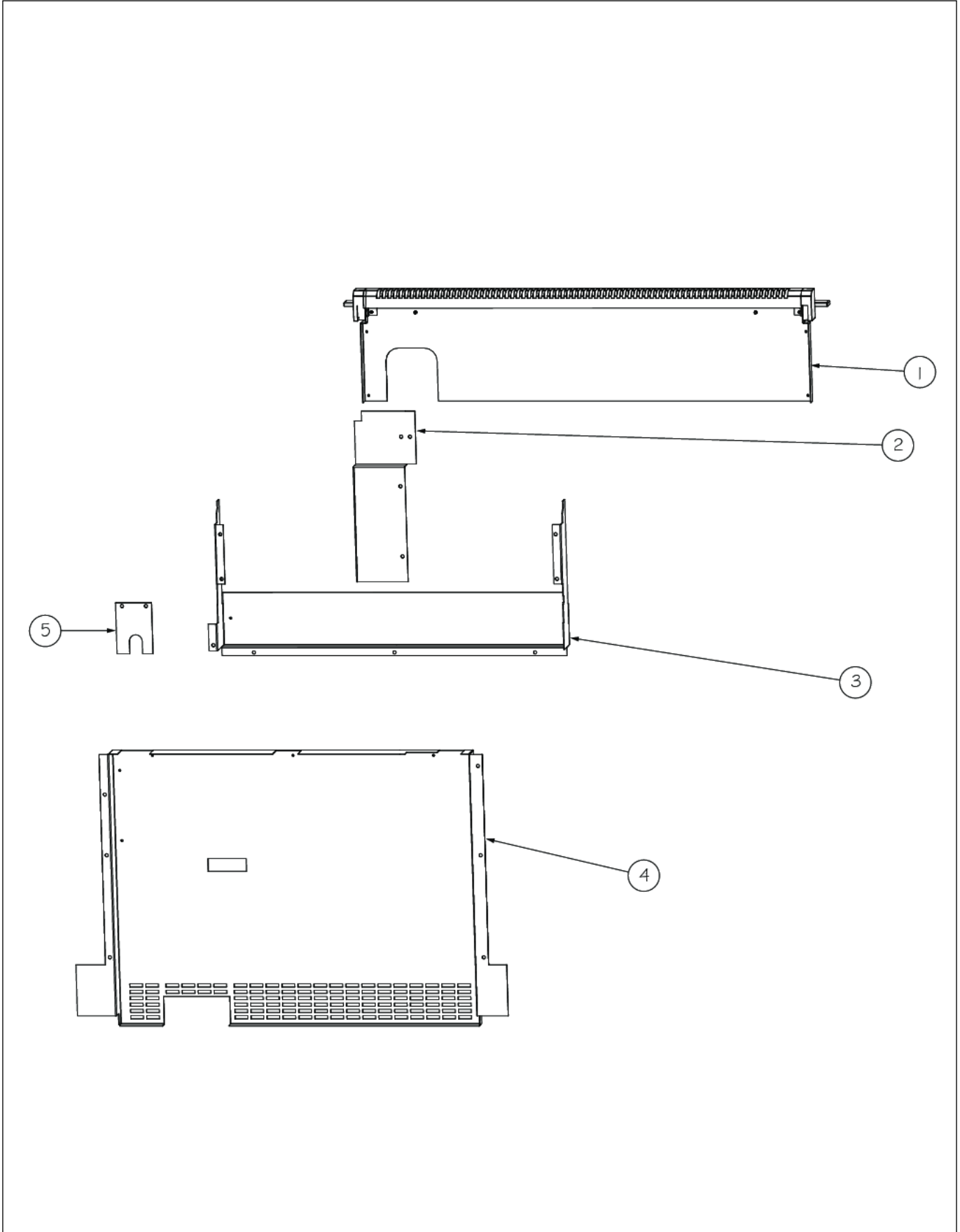
Item	Part No.	Name	Qty	Uom	NOTES
1	008747-000	FAN COVER	1	EA	
2	003860-000	FASTENER,SCR,HXWH,STL,ZP LT,10-18 x .500	12	EA	
3	009307-000	36" MTG BRACKET	1	EA	
4	012569-000	BRACKET, LOWER FAN	1	EA	
5	012438-000	SWITCH, LIM, BRKT	1	EA	
6	PJ030022	FAN SWITCH (HI-LIMIT SWITCH)	1	EA	
7	PJ030039	BI-METAL THERMOSTAT 275 DEGREES	1	EA	
8	A20014089	DISC BRACKET	1	EA	
9	PA020056	NLA - See TC-0063D-SP for kit number (see comments)	1	EA	
Not Shown	NOTE	(BEFORE 12/01/10)		EA	
Not Shown	023651-000	DSI120-2-LVS	2	EA	
Not Shown	NOTE	(ON OR AFTER 12/01/10)		EA	
10	012567-000	DUCT, FAN, 36"	1	EA	
11	009288-000	36" FAN BRACKET	1	EA	
12	008012-000	BOARD CLIP	1	EA	
13	PD020060	10 X 1/2" (5/16)HEX WSHR HD.(T)A	2	EA	
14	A20012649	DOOR SWITCH BRACKET	1	EA	
15	PE050208	DOOR SWITCH	1	EA	
16	PD040005	SNAP BUSHING, 7/8"	3	EA	
17	PB070079	SILICONE EXTRUSION (DGSU)	2	EA	
18	012571-000	PLATE, CONTROL MTG	1	EA	
Not Shown	NOTE	(BEFORE 12/20/10)		EA	
18	008011-000	36" ELECTRONIC PLATE	1	EA	
Not Shown	NOTE	(ON OR AFTER 12/20/10)		EA	
19	007842-000	TOP CAP, 36"	1	EA	
20	PE050250	Blower	1	EA	





Item	Part No.	Name	Qty	Uom	NOTES
<p>Comments for Part Num. PE050250</p> <p>highendappsvc@gmail.com on Jan 28, 2019</p> <p>If you need to replace cooling fan for the model vgs5486gss serial date code 031412, do not order this fan, this fan is larger and configured wrong. The correct fan is 007794-000. it is smaller.</p>					

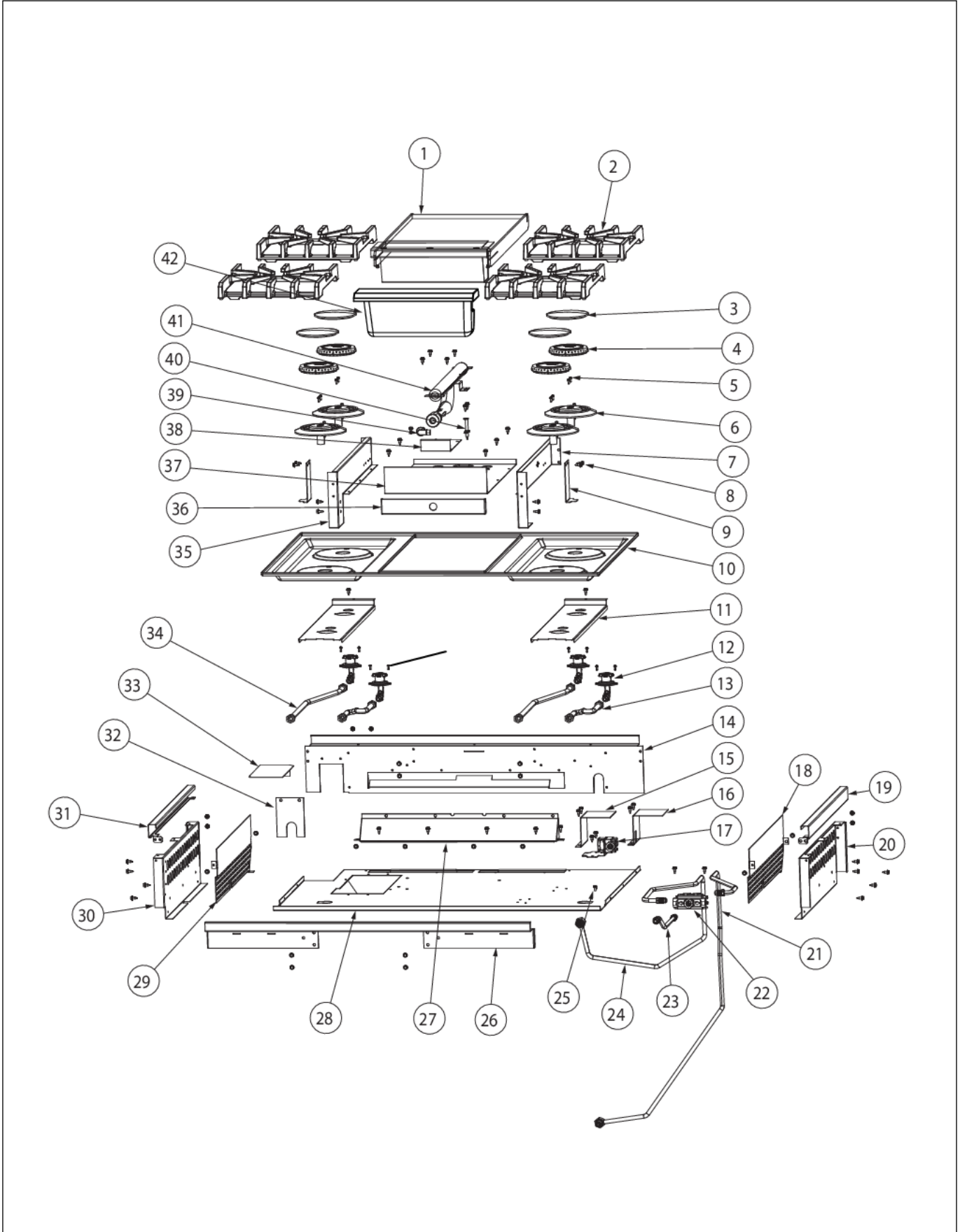
REAR SHEET METAL



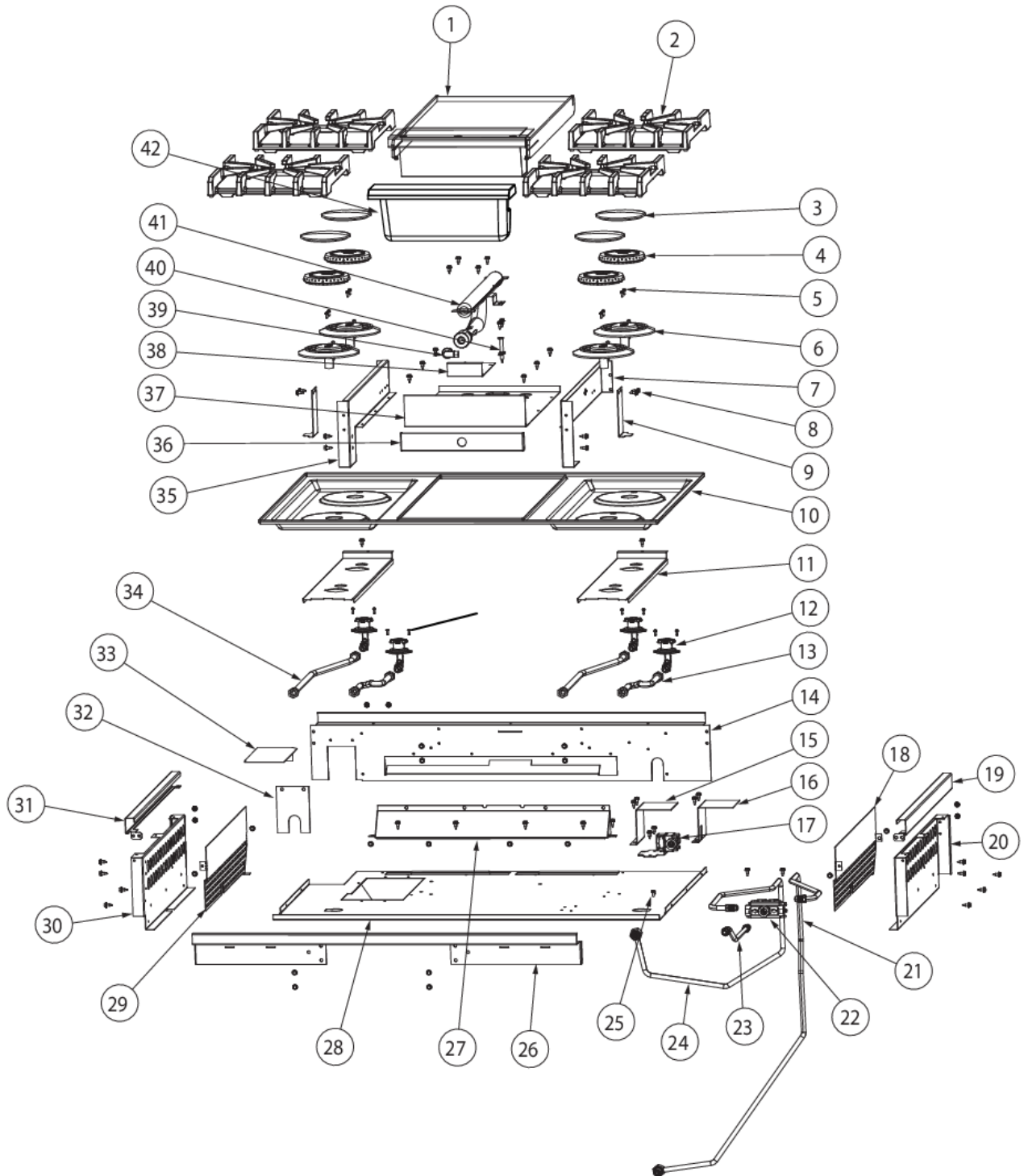


Item	Part No.	Name	Qty	Uom	NOTES
1	041505-000	ISLAND TRIM, ASM, 36" CUSTOM	1	EA	
2	006962-000	COVER, INL, BACK	1	EA	
3	024722-000	COVER, BACK, TOP,36"	1	EA	
4	032138-000	COVER, REAR, 36" NON-SELF- CLEAN	1	EA	Not available online / Call for pricing and availability
5	006687-000	REGULATOR COVER PLATE	1	EA	
NI	A2002654	ANTI-TIP DEVICE (VDSC)	1	EA	
NI	034927-000	BRACKET, ANTI-TIP	1	EA	
NI	034928-000	BRACKET, HOOK, ANTI-TIP	1	EA	

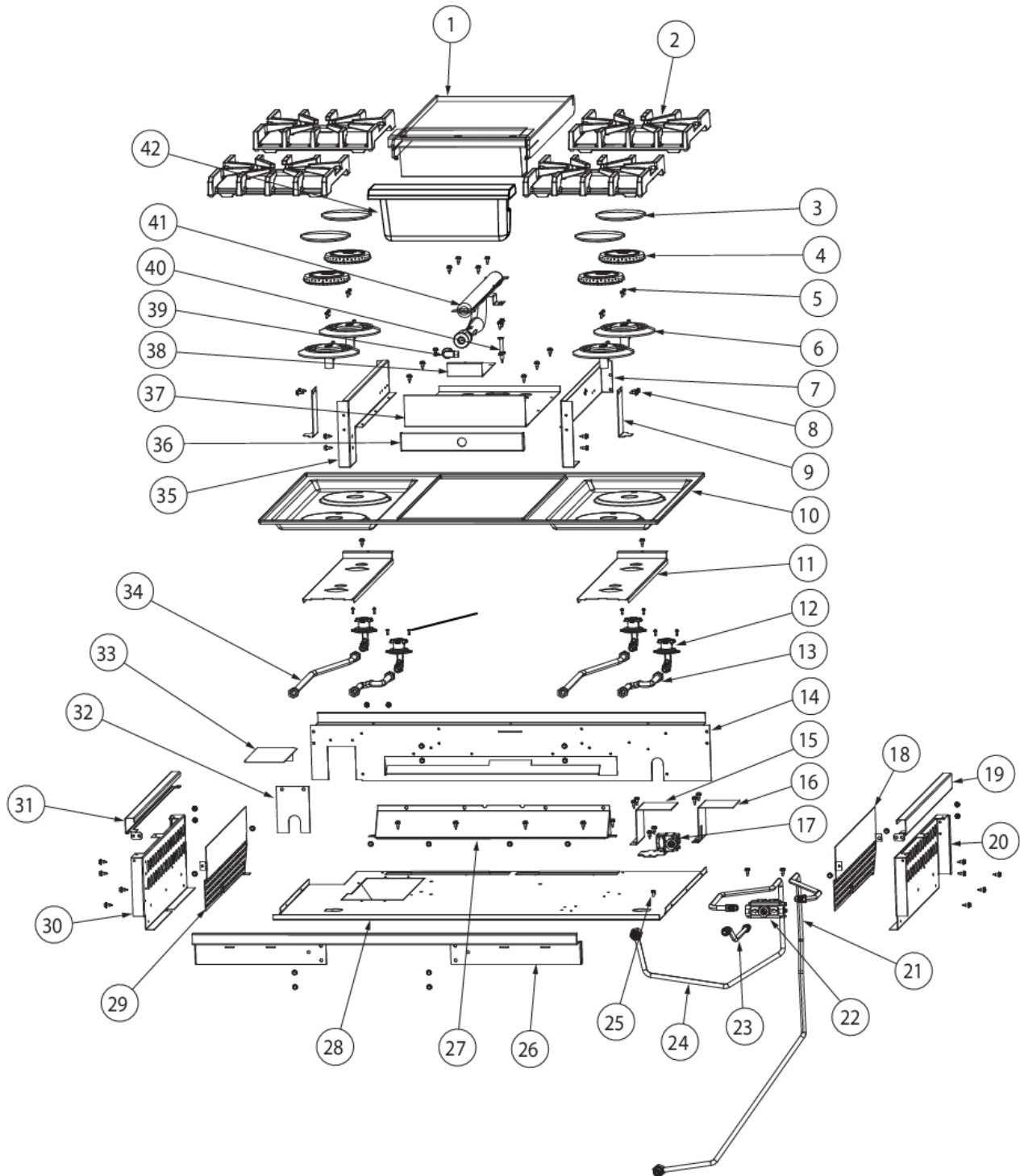
SURFACE COOKING AREA



Item	Part No.	Name	Qty	Uom	NOTES
1	012291-000	GRIDDLE ASM, CUSTOM RANGES	1	EA	
2	007323-000	BURNER GRATE	4	EA	
Not Shown	NOTE	(BEFORE 11/21/14)		EA	
2	049420-000	GRATE, BURNER, ASM	4	EA	
Not Shown	NOTE	(ON OR AFTER 11/21/14)		EA	
NI	PD040075	RUBBER FOOT	16	EA	
Not Shown	NOTE	(BEFORE 11/21/14)		EA	
NI	049416-000	BUMPER, GRATE	16	EA	
Not Shown	NOTE	(ON OR AFTER 11/21/14)		EA	
3	PA080083	D BURNER CAP *MATTE BLACK*	3	EA	
4	018200-000	ADJUSTED SEALED BURNER HEAD	4	EA	
5	PD020076	6-32 X 3/8" PHILL PAN MS	8	EA	
6	003322-041	SEALED BURNER BASE, PAINTED FINISH- GRAY	4	EA	
7	009097-000	RIGHT GRIDDLE SUPPORT, 36"	1	EA	Not available online / Call for pricing and availability
8	003860-000	FASTENER,SCR,HXWH,STL,ZP LT,10-18 x .500	48	EA	
9	010649-000	FOOT, GRIDDLE BOX , VG536-4G	2	EA	
10	E9108438BK	MAIN TOP (VGRT4G/Q) *BK*	1	EA	
11	002923-000	BURNER MODULE SUPPORT	2	EA	
12	001394-042	15000 BTU NAT JETHOLDER	4	EA	
13	001394-046	12.5 K BTU LP JETHOLDER	2	EA	
13	PB020192	10" FLEX TUBING W/CONNECTORS	2	EA	
14	008278-000	BURNER BOX BACK SUPPORT	1	EA	
15	009402-000	SOLENOID HEAT SHIELD COVER	1	EA	
16	011076-000	SHIELD, HEAT, VALVE W/TUBE	1	EA	
17	009111-000	VALVE, SOL, SINGLE	1	EA	



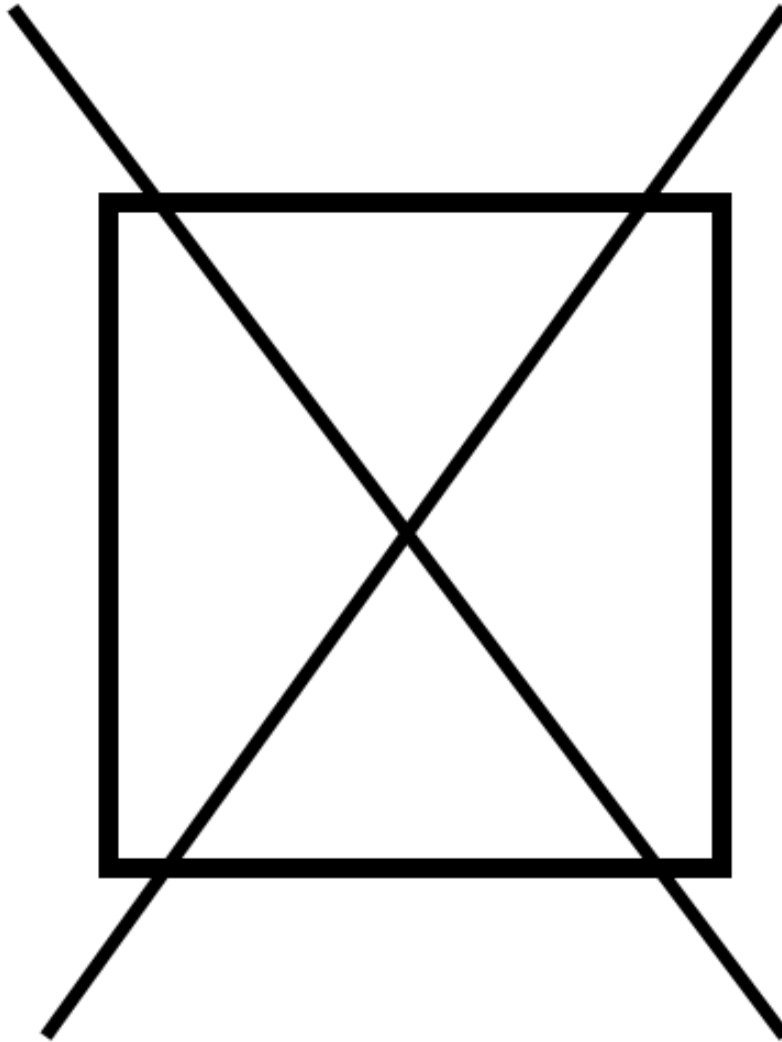
Item	Part No.	Name	Qty	Uom	NOTES
18	010901-000	SHIELD, HEAT, GRIDDLE	1	EA	
19	002920-000	TOP TRIM RING, RH	1	EA	
20	011077-000	SHIELD, HEAT, GRIDDLE, RH	1	EA	
21	009053-000	BAKE TUBING, 36"	1	EA	
22	012654-000	TUBING, BAKE, 36" ASSY (LP)	1	EA	
22	009112-000	VALVE, SOL, DOUBLE	1	EA	
23	011035-000	OVEN TUBING ASM	1	EA	
24	009055-000	BROIL TUBING, 36"	1	EA	
25	PD020010	10 X 3/8 GREEN GROUNDING SCREW	1	EA	
26	008279-000	BURNER BOX FRONT SUPPORT	1	EA	
27	008283-000	BACK VENT, 36"	1	EA	
28	PB070058	Cooktop Gasket	1	EA	
29	010902-000	SHIELD, HEAT, GRIDDLE	1	EA	
30	011078-000	PANEL, RNG, GRIDDLE, LF	1	EA	
31	003649-000	TOP TRIM RING, LH	1	EA	
32	006687-000	REGULATOR COVER PLATE	1	EA	
33	004016-000	PLATE,SVCE,RGLT	1	EA	
34	PB020193	16" FLEX TUBING W/CONNECTORS	2	EA	
35	009096-000	LEFT GRIDDLE SUPPORT, 36"	1	EA	Not available online / Call for pricing and availability
36	006783-000	GRIDDLE BRKT, ORIFICE, CUSTOM RANGES	1	EA	
37	013953-000	GRIDDLE, BOX, BOTTOM, CUSTOM "G" RANGES	1	EA	
38	006785-000	GRIDDLE, BOX, VENTURI, COVER	1	EA	
39	PB040190	90 DEGREE ORIFICE FITTING #50 NAT	1	EA	
40	002513-000	90 DEGREE ORIFICE FITTING #57 LP	1	EA	
40	PA020028	SPARK IGNITER	1	EA	
41	013888-000	GRIDDLE, BURNER, ASM, NAT, W/IGNITOR BRACKET	1	EA	





Item	Part No.	Name	Qty	Uom	NOTES
41	013889-000	GRIDDLE, BURNER, ASM, LP, W/IGNITOR BRACKET	1	EA	
42	012165-700	TROUGH, GRS, ASM, COATED	1	EA	NO LONGER AVAILABLE, Not available online / Call for pricing and availability
43	009197-000	#6-32 X 5/8 18-8 SS NC SOC CAP	8	EA	
NI	013408-000	GRIDDLE HEADER	1	EA	
NI	007008-000	RTD PROBE	1	EA	

NON
ILLUSTRATED PART





Item	Part No.	Name	Qty	Uom	NOTES
NI	010918-000	WIRE HARNESS, VGCC536-4G	1	EA	
NI	011097-000	HARNESS,W,GRIDDLE THERMOSTAT,VGSC536-4G	2	EA	
NI	013408-000	GRIDDLE HEADER	1	EA	
NI	001134-000	IRIS HARNESS INSULATED CAP	2	EA	
NI	025991-000	HARNESS, WIRE, VGCC536-4G	1	EA	
NI	023340-000	IRIS HARNESS, 36"	1	EA	
NI	024605-000	WIRE, BRL, ELECTRODE, ASM	1	EA	
NI	024606-000	WIRE, BAKE, ELECTRODE, ASM	1	EA	
NI	023750-000	CORD, SUPPLY	1	EA	
NI	035604-000	VGCC536 SERVICE DISCONNECT KIT	1	EA	
NI	043834-000	36" SPILL GUTTER KIT 2	1	EA	
Not Shown	NOTE	(FOR UNITS MANUFACTURED BEFORE 1/9/13)		EA	
NI	000647-000	IRIS IGNITOR WIRE, FRONT BURNER	2	EA	
Not Shown	NOTE	(BEFORE 10/12/16)		EA	
NI	053582-000	WIRE, IRIS, IGNITOR, FRONT	2	EA	
Not Shown	NOTE	(ON OR AFTER 10/12/16)		EA	
NI	006766-000	IRIS IGNITOR WIRE, BACK BURNER	2	EA	
Not Shown	NOTE	(BEFORE 10/12/16)		EA	
Not Shown	NOTE	(STILL USE ONE AFTER BREAK)		EA	
NI	053583-000	WIRE, IRIS, IGNITOR, REAR	1	EA	Not available online / Call for pricing and availability
Not Shown	NOTE	(ON OR AFTER 10/12/16)		EA	
NI	015357-000	IGNITOR, W/WIRE	2	EA	



Appendix A:Pages Index

CAVITY INTERIOR 1
CONTROL AREA 2
DOOR ASSEMBLY 3
LOWER UNIT AND SIDE PANEL 4
OVEN ELECTRONICS 5
REAR SHEET METAL 6
SURFACE COOKING AREA 7
UNIT WIRING 8



Appendix B:Parts Index

000090-000	3	004645-022	4
000594-000	3	004645-023	4
000647-000	8	004645-024	4
001134-000	8	004645-025	4
001394-042	7	004645-026	4
001394-046	7	004645-027	4
002513-000	7	005264-000	1
002905-000	4	005280-000	4
002920-000	7	005311-000	1
002923-000	7	005505-002	4
003011-000	3	005505-003	4
003011-100	3	005505-004	4
003012-000	3	005505-005	4
003012-100	3	005505-006	4
003322-041	7	005505-008	4
003588-000	4	005505-009	4
003649-000	7	005505-010	4
003801-000	4	005505-012	4
003860-000	1, 4, 5, 7	005505-013	4
004016-000	7	005505-015	4
004479-000	4	005505-016	4
004482-000	4	005505-017	4
004507-000	2	005505-018	4
004645-002	4	005505-019	4
004645-003	4	005505-020	4
004645-004	4	005505-021	4
004645-005	4	005505-022	4
004645-006	4	005505-023	4
004645-008	4	005505-024	4
004645-009	4	005505-025	4
004645-010	4	005505-026	4
004645-012	4	005505-027	4
004645-013	4	005529-000	4
004645-015	4	005536-000	1
004645-016	4	006050-000	1
004645-017	4	006080-000	3
004645-018	4	006192-000	1
004645-019	4	006687-000	6, 7
004645-020	4	006766-000	8
004645-021	4	006783-000	7
		006785-000	7



006962-000	6	010901-000	7
007008-000	1, 7	010902-000	7
007147-000	2	010918-000	8
007259-000	1	011035-000	7
007278-000	1	011076-000	7
007323-000	7	011077-000	7
007400-000	4	011078-000	7
007484-000	4	011097-000	8
007583-000	3	011522-002	4
007817-000	4	011522-003	4
007841-000	1	011522-004	4
007842-000	5	011522-005	4
007844-000	1	011522-006	4
007851-000	4	011522-008	4
007854-000	3	011522-009	4
007883-000	3	011522-010	4
008011-000	5	011522-012	4
008012-000	5	011522-013	4
008154-000	3	011522-015	4
008154-402	3	011522-016	4
008165-000	3	011522-017	4
008165-402	3	011522-018	4
008166-000	3	011522-019	4
008191-000	1	011522-020	4
008278-000	7	011522-021	4
008279-000	7	011522-022	4
008283-000	7	011522-023	4
008345-000	4	011522-024	4
008747-000	5	011522-025	4
009053-000	7	011522-026	4
009055-000	7	011522-051	4
009096-000	7	011522-052	4
009097-000	7	011522-053	4
009111-000	7	011522-054	4
009112-000	7	011524-002	3
009150-000	1	011524-003	3
009197-000	7	011524-004	3
009288-000	5	011524-005	3
009307-000	5	011524-006	3
009402-000	7	011524-007	3
010649-000	7	011524-008	3



011524-009	3	020693-003	3
011524-010	3	020693-004	3
011524-011	3	020693-005	3
011524-012	3	020693-006	3
011524-013	3	020693-008	3
011524-014	3	020693-009	3
011524-015	3	020693-010	3
011524-016	3	020693-012	3
011524-017	3	020693-013	3
011524-018	3	020693-015	3
011524-019	3	020693-016	3
011524-020	3	020693-017	3
011524-021	3	020693-018	3
011524-022	3	020693-019	3
011524-023	3	020693-020	3
011524-024	3	020693-021	3
011524-025	3	020693-022	3
011524-026	3	020693-023	3
011524-027	3	020693-024	3
011637-000	2	020693-025	3
012165-700	7	020693-026	3
012291-000	7	020693-027	3
012438-000	5	020693-051	3
012567-000	5	020693-052	3
012569-000	5	020693-053	3
012571-000	5	020693-054	3
012654-000	7	021225-000	1
012830-000	2	021225-402	1
013213-000	2	021225-403	1
013290-000	3	023090-000	1
013386-000	2	023340-000	8
013408-000	7, 8	023651-000	5
013888-000	7	023750-000	8
013889-000	7	024605-000	8
013953-000	7	024606-000	8
015170-000	2	024722-000	6
015357-000	8	025098-000	2
018200-000	7	025991-000	8
020409-000	1	027968-000	2
020604-000	4	030823-000	3
020693-002	3	031679-000	1



031961-000	4	042666-000	4
032138-000	6	042678-002	4
034927-000	6	042678-003	4
034928-000	6	042678-004	4
035604-000	8	042678-005	4
035795-000	2	042678-006	4
035881-000	2	042678-008	4
035883-000	2	042678-009	4
035891-000	2	042678-010	4
035958-000	4	042678-012	4
040349-000	1	042678-013	4
040736-000	4	042678-015	4
040865-000	1	042678-016	4
041505-000	6	042678-017	4
042287-000	4	042678-018	4
042323-002	4	042678-019	4
042323-003	4	042678-020	4
042323-004	4	042678-021	4
042323-005	4	042678-022	4
042323-006	4	042678-023	4
042323-008	4	042678-024	4
042323-009	4	042678-025	4
042323-010	4	042678-026	4
042323-012	4, 4	042678-027	4
042323-015	4	042679-002	4
042323-016	4	042679-003	4
042323-017	4	042679-004	4
042323-018	4	042679-005	4
042323-019	4	042679-006	4
042323-020	4	042679-008	4
042323-021	4	042679-009	4
042323-022	4	042679-010	4
042323-023	4	042679-012	4
042323-024	4, 4	042679-013	4
042323-026	4	042679-015	4
042323-051	4	042679-016	4
042323-052	4	042679-017	4, 4
042323-053	4	042679-019	4
042323-054	4	042679-020	4
042429-2075	2	042679-021	4
042648-000	4	042679-022	4



042679-023	4	PA080083	7
042679-024	4	PB020192	7
042679-025	4	PB020193	7
042679-026	4	PB040170	1
042679-027	4	PB040171	1
043834-000	8	PB040190	7
044178-000	4	PB060030	1
049416-000	7	PB060045	1
049420-000	7	PB070058	7
049718-402	1	PB070079	5
050172-000	2	PB070208	1
053582-000	8	PD010003	3
053583-000	8	PD020010	7
056872-000	4	PD020014	3
056873-000	4	PD020032	2
066225-402	1	PD020033	3
068458-000	1	PD020060	1, 5
A1002596	1	PD020063	3
A20012649	5	PD020067	1
A2001361	1	PD020076	7
A20014089	5	PD020084	1
A2002189	3	PD020232	1
A2002595	1	PD040004	2
A2002654	6	PD040005	4, 5
A2004428	1	PD040075	7
A2004429	4	PE010030	3
A2005525	1	PE010068	3
A2008467	1	PE050023	2
B2005589	1	PE050024	2
E2004433	1	PE050057	1
E2004435	1	PE050208	5
E2109638	1	PE050250	5
E91012614	1	PE060030	3
E9108438BK	7	PE060039	3
G3001876	1	PJ030022	5
G9105513	1	PJ030039	5
NTOE	1		
PA020028	7		
PA020056	5		
PA020058	2, 2		
PA070003	2		