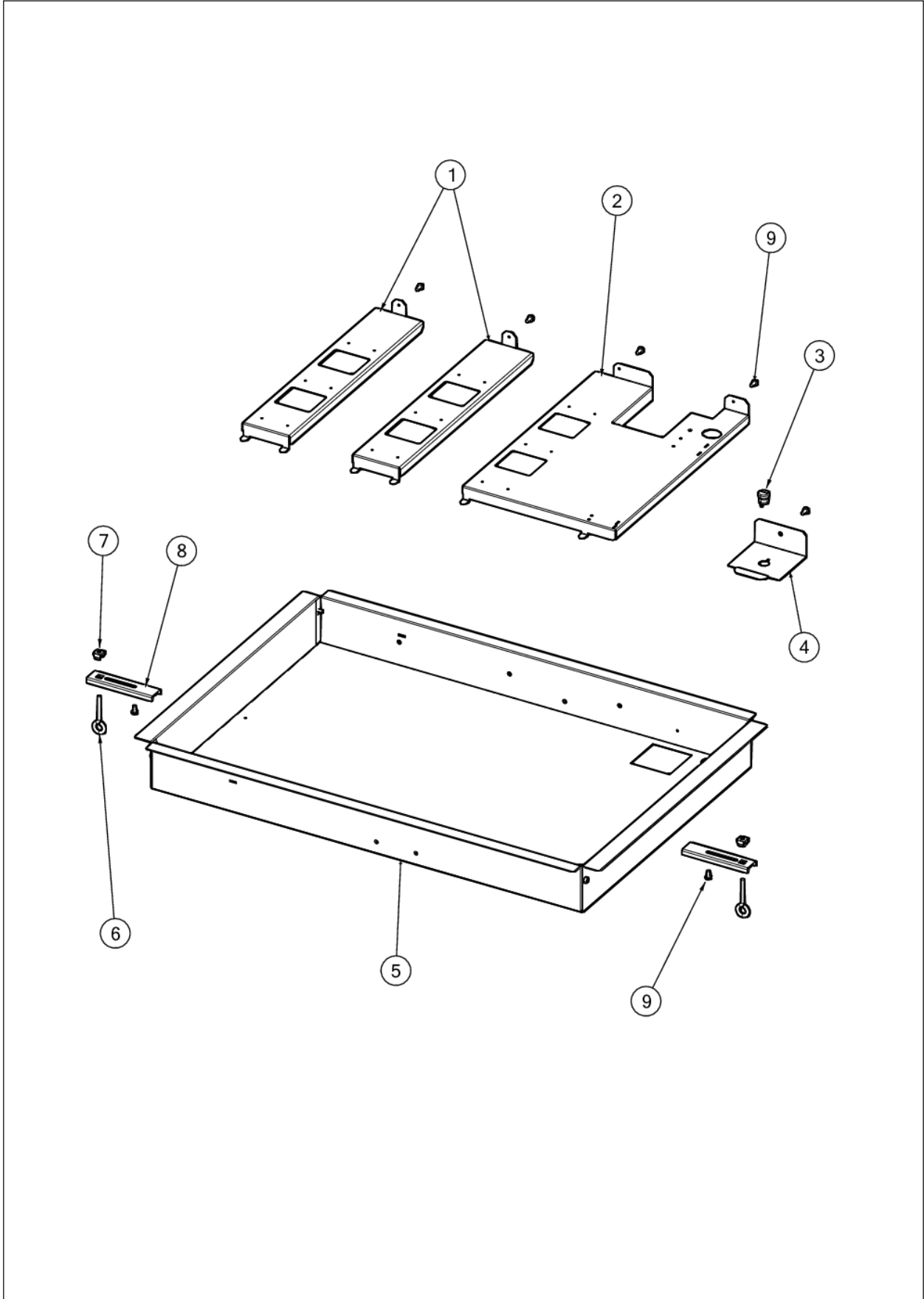


**VGC5305B**

BASE .....	1
DECOR .....	2
ELECTRICAL .....	3
GAS .....	4
Appendix A:Pages Index .....	A
Appendix B:Parts Index .....	B

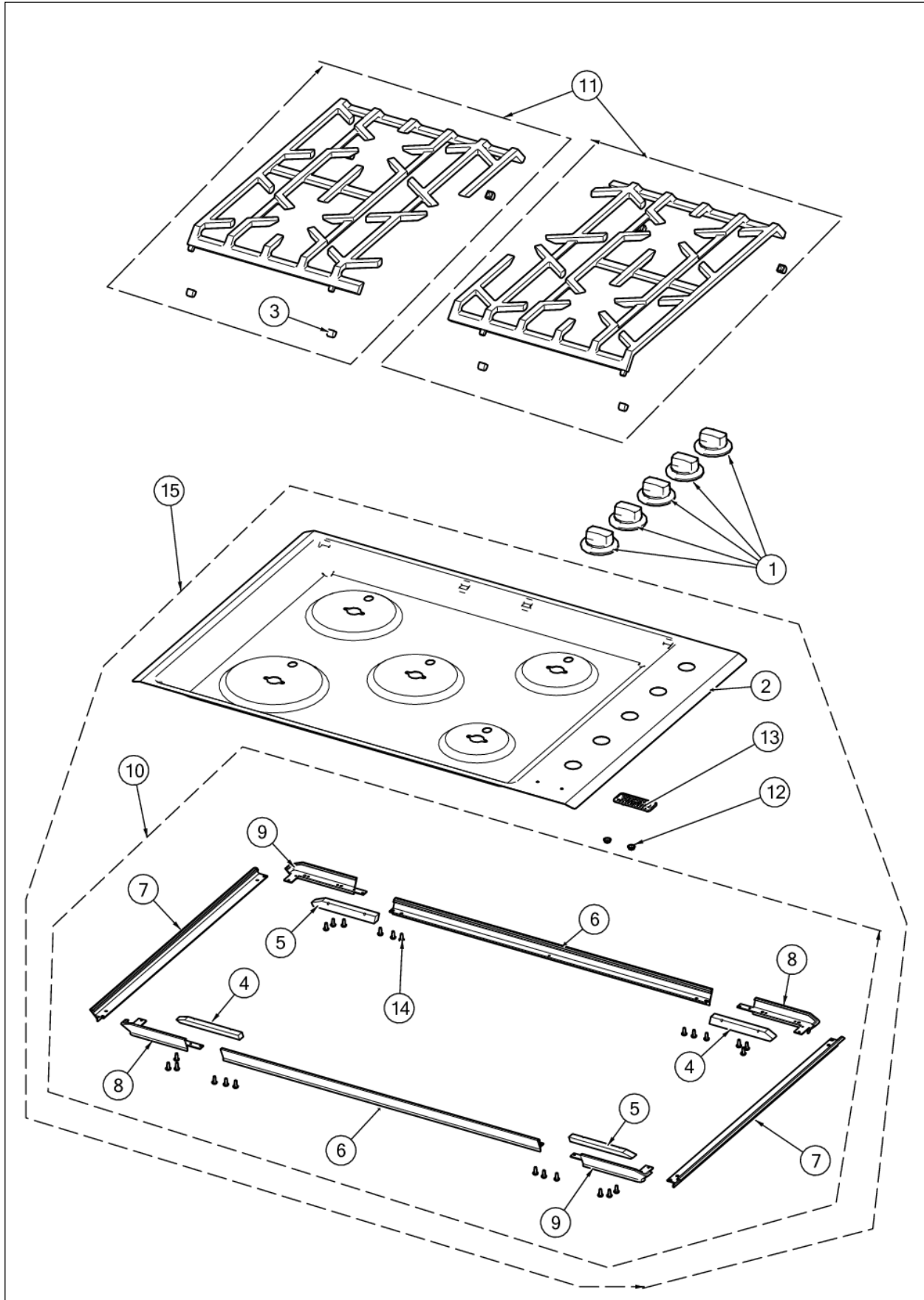


BASE





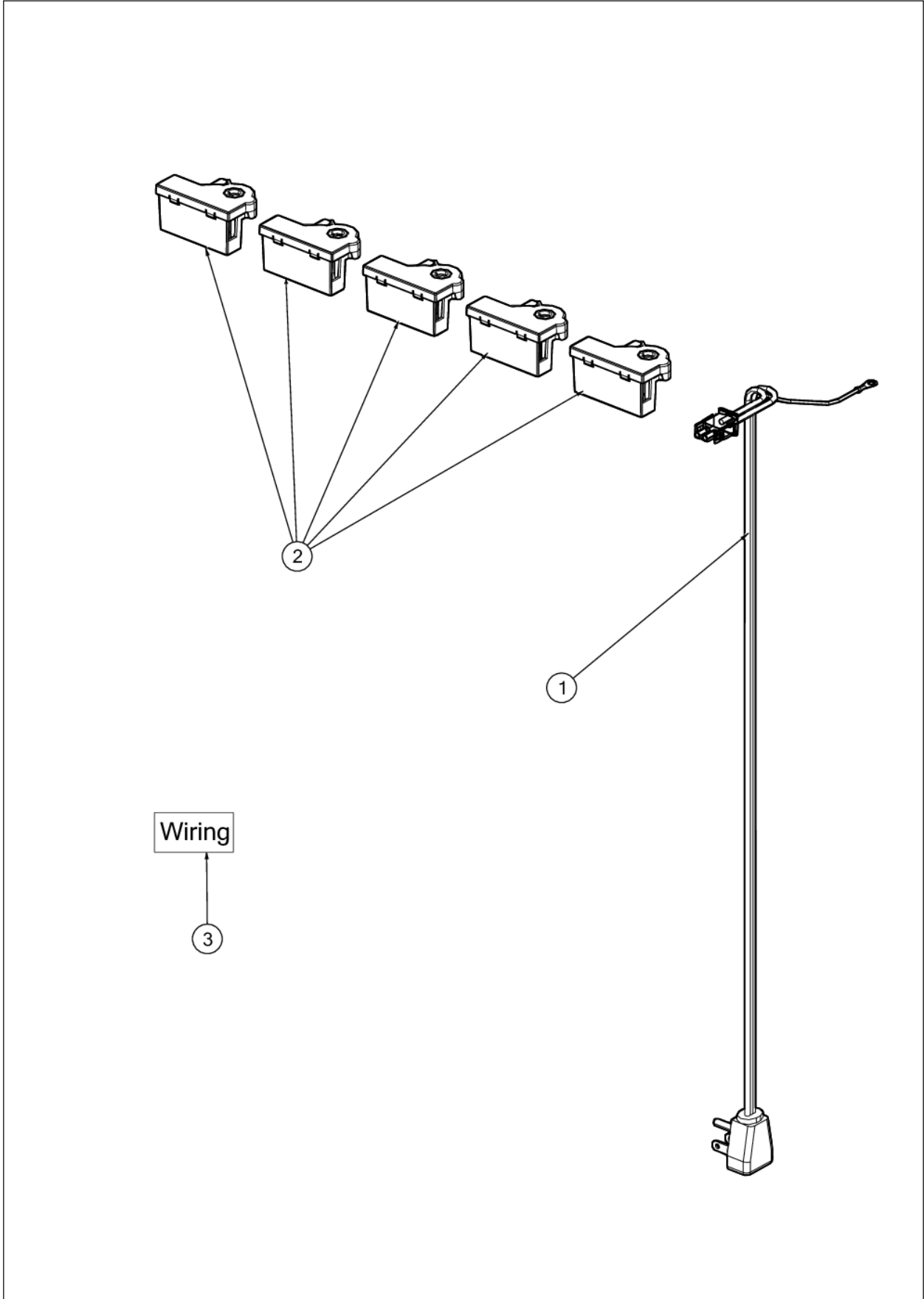
Item	Part No.	Name	Qty	Uom	NOTES
1	039675-000	BRKT, MTG, BURNER	2	EA	
2	041833-000	SUPPORT, BURNER/MANIFOLD	1	EA	
Not Shown	NOTE	(BEFORE 11/18/13)		EA	
2	047054-000	SUPPORT, BURNER/MANIFOLD	1	EA	
Not Shown	NOTE	(ON OR AFTER 11/18/13)		EA	
3	PE070069	STRAIGHT-THRU BUSHING	1	EA	
4	039677-000	STRAIN RELIEF BRACKET	1	EA	
5	039569-000	BOX, BURNER, GAS, 30"	1	EA	
6	PD010027	EYE BOLT-VGSU101/161	2	EA	
7	PD030029	SELF RETAINING NUT (1/4-20)	2	EA	
8	038618-000	BRACKET, HOLD	2	EA	
9	PD020004	10X3/8PH.HD.TYPE 25 REPL PD040125	7	EA	





Item	Part No.	Name	Qty	Uom	NOTES
1	036416-000	KNOB,ASSY VGSU CR3	5	EA	
2	038364-000	30" GAS COOKTOP SS - NLA	1	EA	
3	039134-000	GRATE FOOT	8	EA	
4	042118-000	FILLER, TRIM, RR, LF-NLA	2	EA	
5	042119-000	FILLER, TRIM, RF, LR-NLA	2	EA	
6	042120-000	EXTR, FRONT, GAS, 30" - NLA	2	EA	
7	042122-000	EXTRUSION, END- NLA	2	EA	
8	042123-000	TRIM, CORNER CAP, RR, LF - NLA	2	EA	
9	042124-000	TRIM, CORNER CAP, RF, LR - NLA	2	EA	
10	042126-000	FRAME, ASM, 30" GAS - NLA	1	EA	
11	042747-000	GRATE, ASM, 30	2	EA	
12	PD030006	CAPPED WASHER PAL NUT	2	EA	
13	040029-000	LOGO, COOKTOP	1	EA	
<p>Comments for Part Num. 040029-000</p> <p>bradleysapplianceservice@shaw.ca on Dec 19, 2016</p> <p>IF BRIGADE LOGO IS REQUIRED, USE : 040834-000 NAMEPLATE, BRIGADE, PRO, CAN, 2.5"</p>					
14	PD020062	#8-32 X 3/8 PHMS TYPE 1	24	EA	
15	039560-000	COOKTOP ASSY - VGC5305BSS - NLA	1	EA	

ELECTRICAL

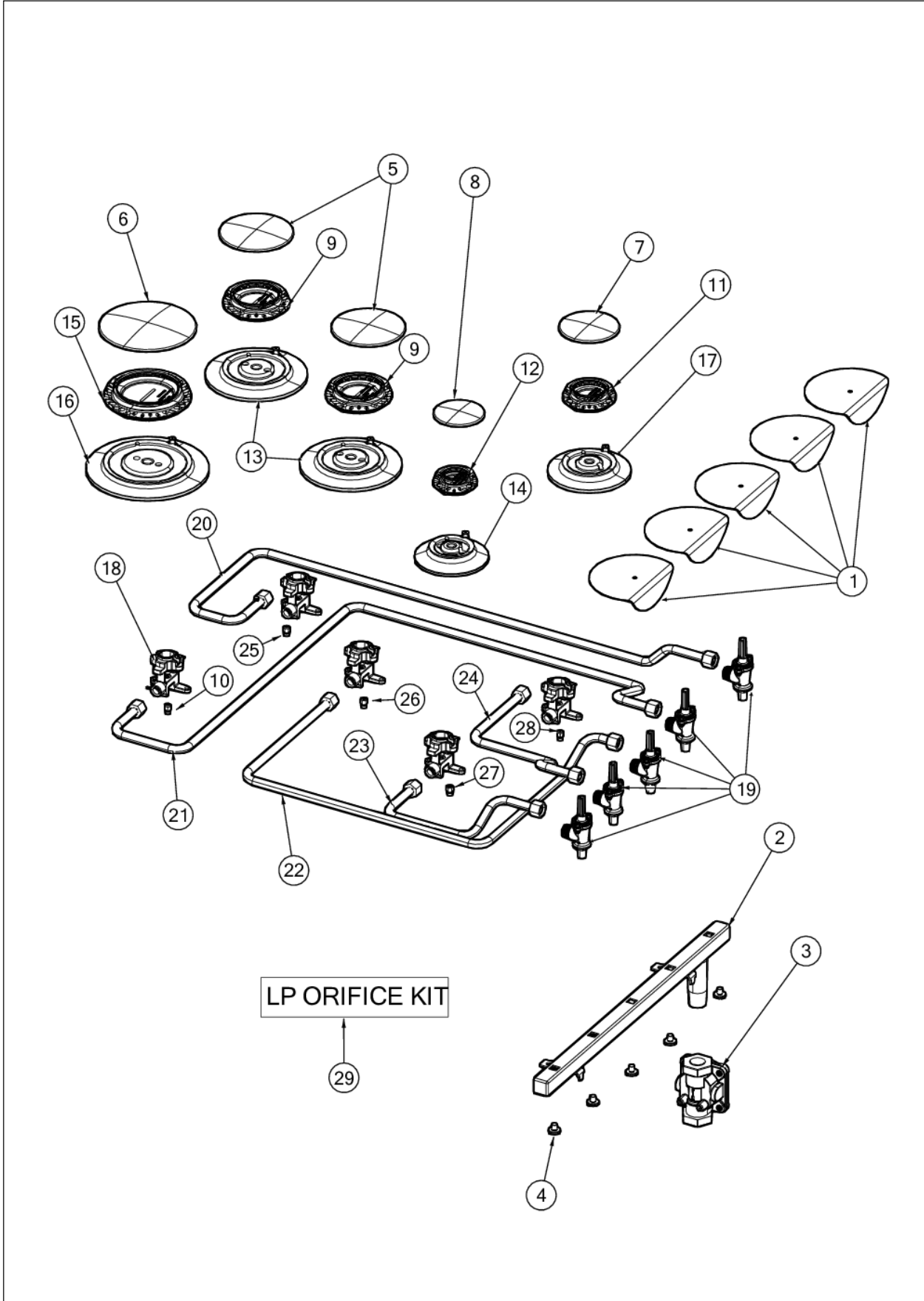




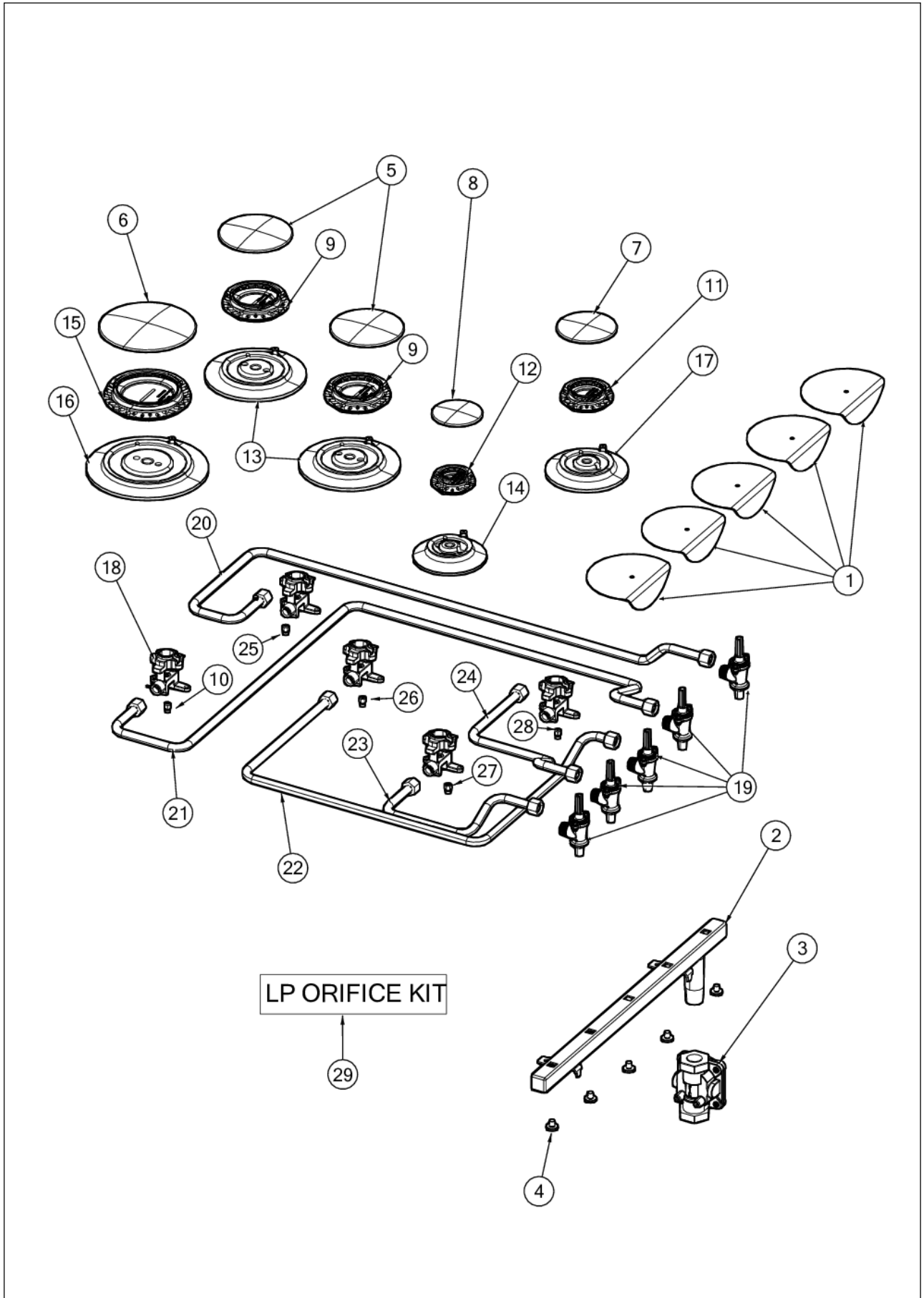


Item	Part No.	Name	Qty	Uom	NOTES
1	040603-000	CORD, ASM, POWER	1	EA	
2	035795-000	MODULE, IGN, GAS,SNGL	5	EA	
3	044860-000	HARNESS, IRIS, VGC5305B/5366B	1	EA	
3	000647-000	IRIS IGNITOR WIRE, FRONT BURNER	1	EA	
3	006766-000	IRIS IGNITOR WIRE, BACK BURNER	2	EA	
3	019654-000	XL IGNITOR HARNESS	2	EA	

GAS



Item	Part No.	Name	Qty	Uom	NOTES
1	019955-000	SHIELD, WTR	5	EA	
2	039012-000	MANIFOLD, GAS, 30 COOKTOP	1	EA	
3	PA070004	Pressure Regulator (Nat.)	1	EA	
3	PA070005	PRESSURE REG.(LP) RV47L-77-10.0	1	EA	
4	PD010012	VALVE BOLT 1/4-20 UNC-2B 5/16" M.S.	5	EA	
5	PA080107	DGRT-C BURNER CAP- BLACK	2	EA	
6	PA080083	D BURNER CAP *MATTE BLACK*	1	EA	
7	PA080105	DGRT-B BURNER CAP- BLACK	1	EA	
8	PA080103	DGRT-A BURNER CAP- BLACK	1	EA	
9	PA080101	DGRT-C COMPLETE BURNER HEAD ASSEMBLY	2	EA	
10	044706-000	ORIFICE, STD .079 DIA - NAT	1	EA	
11	PA080100	DGRT-B COMPLETE BURNER HEAD ASSEMBLY	1	EA	
12	PA080099	DGRT-ACOMPLETE BURNER HEAD ASSEMBLY	1	EA	
13	PB050070	C-BASE	2	EA	
14	PB050072	A-BASE	1	EA	
15	PA080102	DGRT-D COMPLETE BURNER HEAD ASSEMBLY	1	EA	
16	PB050069	D-BASE	1	EA	
17	PB050071	B-BASE	1	EA	
18	PB050067	JETHOLDER	5	EA	
19	039678-000	VALVE, COOKTOP	5	EA	
20	040396-000	TUBING, ASM, LEFT REAR	1	EA	
21	040393-000	TUBING, ASM, LEFT FRONT	1	EA	
22	040385-000	TUBING, ASM, CENTER	1	EA	
23	040380-000	TUBING, ASM, RIGHT FRONT	1	EA	
24	040382-000	TUBING, ASM, RIGHT REAR	1	EA	
25	PB040255	NO.52 NAT	1	EA	
26	PB040255	NO.52 NAT	1	EA	
27	PB040274	NO.58 - NAT	1	EA	
28	044707-000	ORIFICE, STD .051 DIA - NAT	1	EA	





VGC5305B

Item	Part No.	Name	Qty	Uom	NOTES
NI	PD020159	DGSU BURNER BASE SCREW	10	EA	



Appendix A:Pages Index

BASE .....	1
DECOR .....	2
ELECTRICAL .....	3
GAS .....	4



Appendix B:Parts Index

000647-000	3	PA080101	4
006766-000	3	PA080102	4
019654-000	3	PA080103	4
019955-000	4	PA080105	4
035795-000	3	PA080107	4
036416-000	2	PB040255	4, 4
038364-000	2	PB040274	4
038618-000	1	PB050067	4
039012-000	4	PB050069	4
039134-000	2	PB050070	4
039560-000	2	PB050071	4
039569-000	1	PB050072	4
039675-000	1	PD010012	4
039677-000	1	PD010027	1
039678-000	4	PD020004	1
040029-000	2	PD020062	2
040380-000	4	PD020159	4
040382-000	4	PD030006	2
040385-000	4	PD030029	1
040393-000	4	PE070069	1
040396-000	4		
040603-000	3		
041833-000	1		
042118-000	2		
042119-000	2		
042120-000	2		
042122-000	2		
042123-000	2		
042124-000	2		
042126-000	2		
042747-000	2		
044706-000	4		
044707-000	4		
044860-000	3		
047054-000	1		
PA070004	4		
PA070005	4		
PA080083	4		
PA080099	4		
PA080100	4		