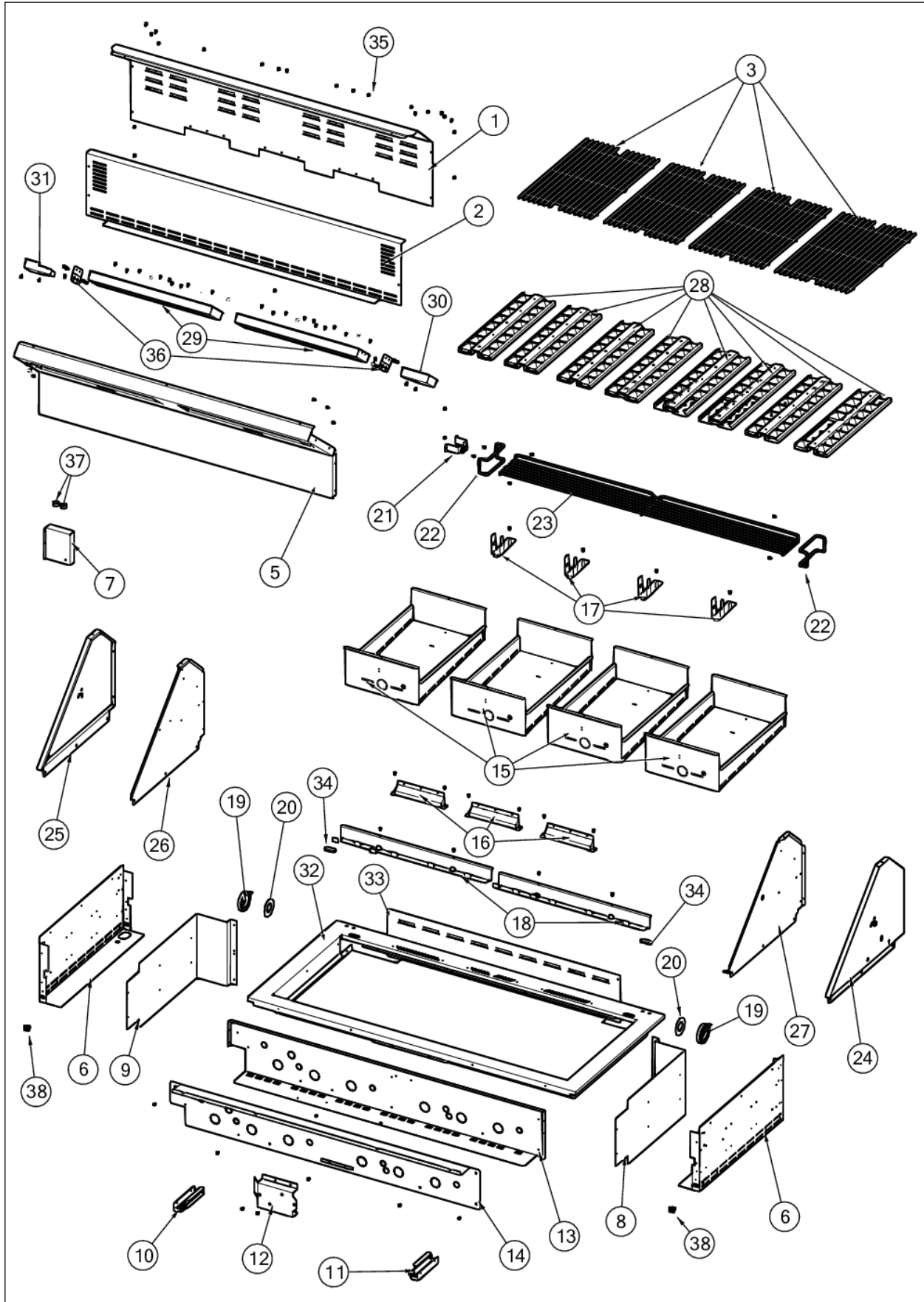


**VGBQ55424**

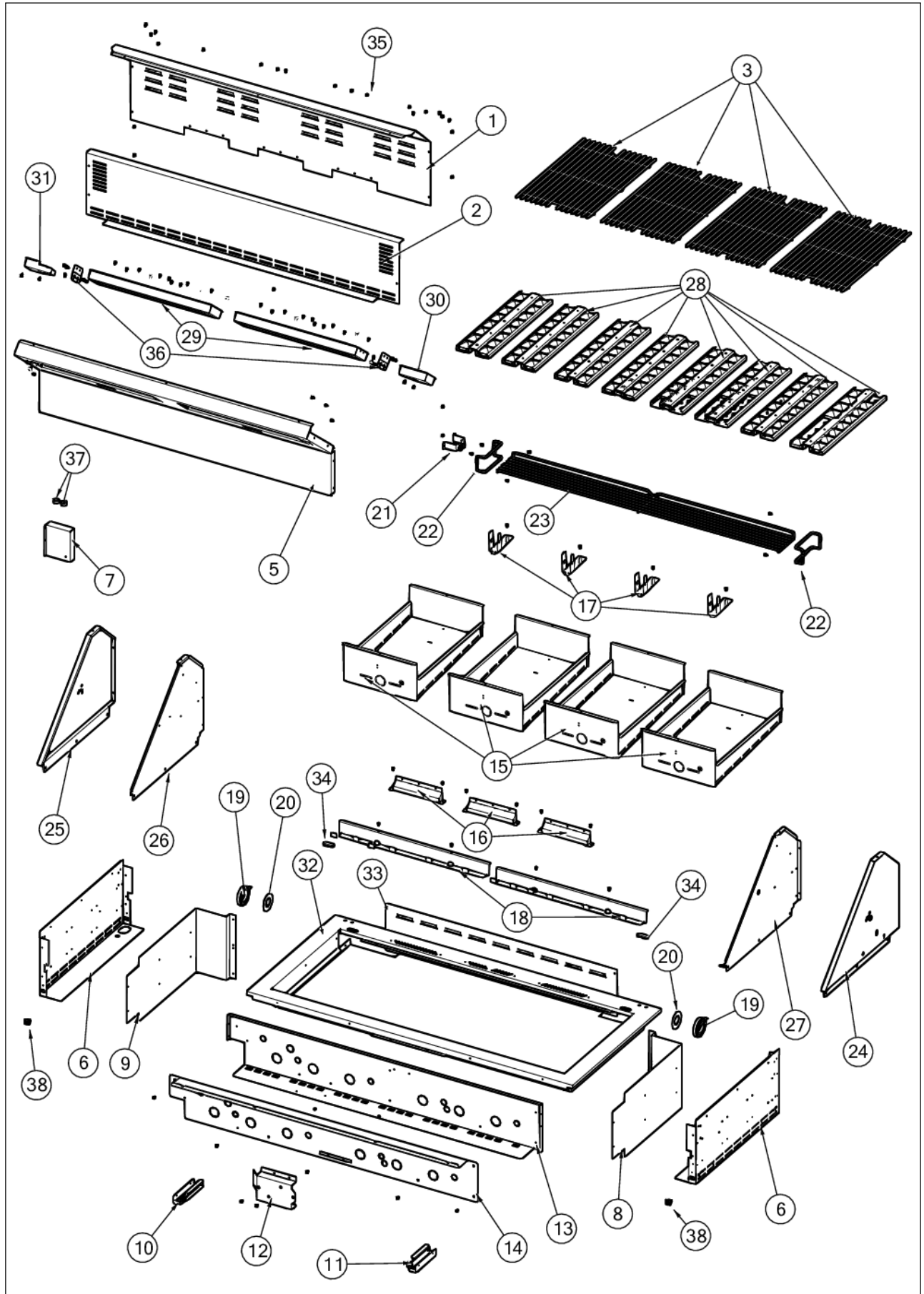
BASE .....	1
DECOR .....	2
ELECTRICAL .....	3
GAS .....	4
Appendix A:Pages Index .....	A
Appendix B:Parts Index .....	B



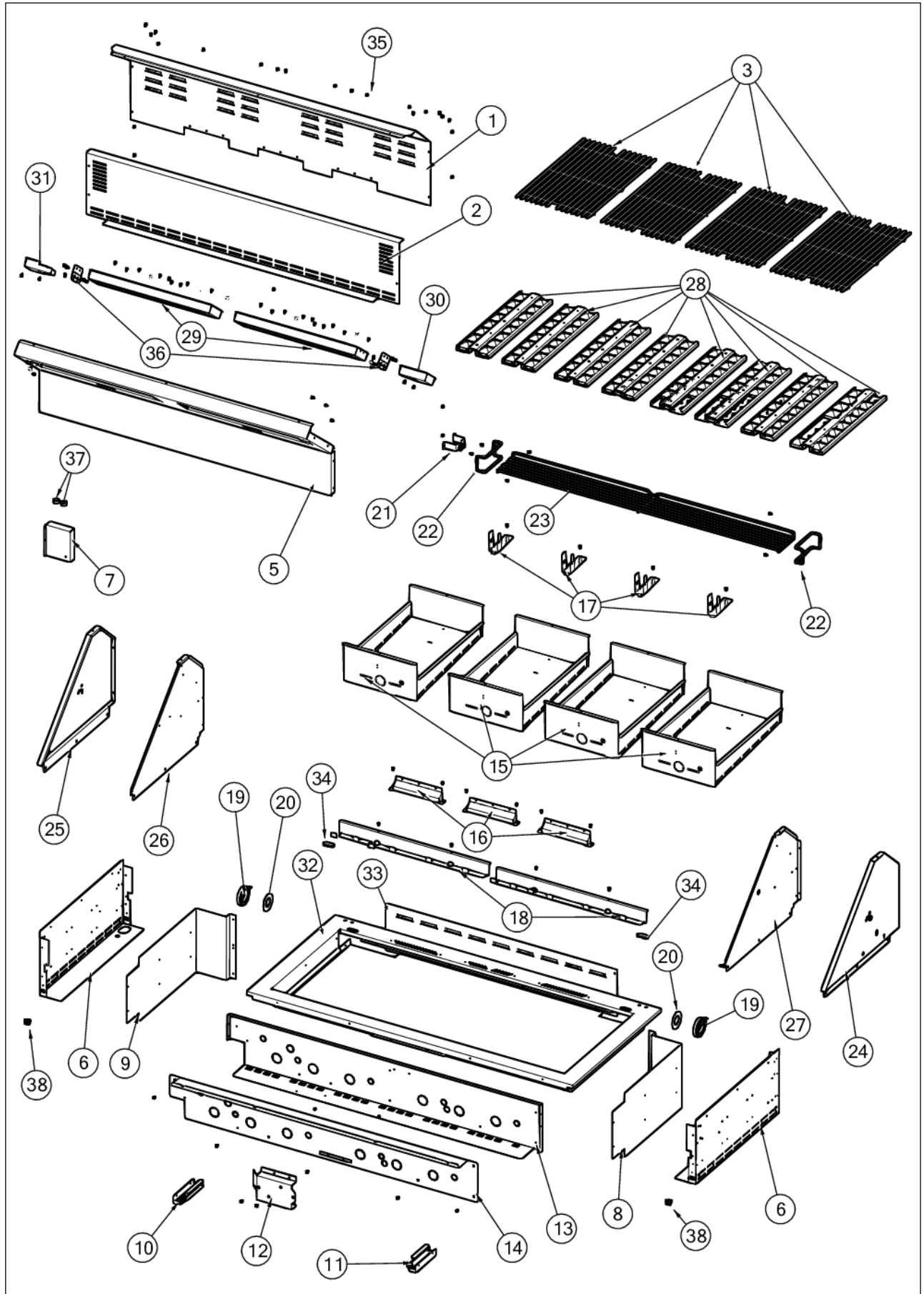
BASE



Item	Part No.	Name	Qty	Uom	NOTES
1	045448-000	PANEL, REAR, BQ	1	EA	
2	045737-000	BRACKET, BACK SUPPORT	1	EA	
3	029434-000	GRATE, BQ GRILL	4	EA	
4	PE070189	ELECTRICAL SUPPLY CORD - BBQ GRILL	1	EA	
5	045447-000	BACKPLATE, BQ, INT	1	EA	Not available online / Call for pricing and availability
6	029459-000	PANEL, LWR SIDE	2	EA	
Not Shown	NOTE	(BEFORE 12/18/14)		EA	
6	052481-000	PANEL, LOWER, SIDE	2	EA	
Not Shown	NOTE	(ON OR AFTER 12/18/14)		EA	
7	035094-000	CHANNEL, WIRE	1	EA	
8	N/P	INNER HEAT SHIELD	1	EA	
Not Shown	NOTE	(NOT FIELD REPLACEABLE)		EA	
9	N/P	INNER HEAT SHIELD	1	EA	
Not Shown	NOTE	(NOT FIELD REPLACEABLE)		EA	
10	031544-000	GUIDE, DRIP TRAY, LH ASM	1	EA	
Not Shown	NOTE	(BEFORE 12/18/14)		EA	
10	052486-000	DRIP TRAY GUIDE LH	1	EA	
Not Shown	NOTE	(ON OR AFTER 12/18/14)		EA	
11	031551-000	GUIDE, DRIP TRAY, RH ASM	1	EA	
Not Shown	NOTE	(BEFORE 12/18/14)		EA	
11	052487-000	DRIP TRAY GUIDE RH	1	EA	
Not Shown	NOTE	(ON OR AFTER 12/18/14)		EA	
12	047017-000	BRACKET, MOUNTING, MODULE	1	EA	Not available online / Call for pricing and availability
13	045627-000	PANEL, SUPPORT, HEAT SHIELD	1	EA	Not available online / Call for pricing and availability



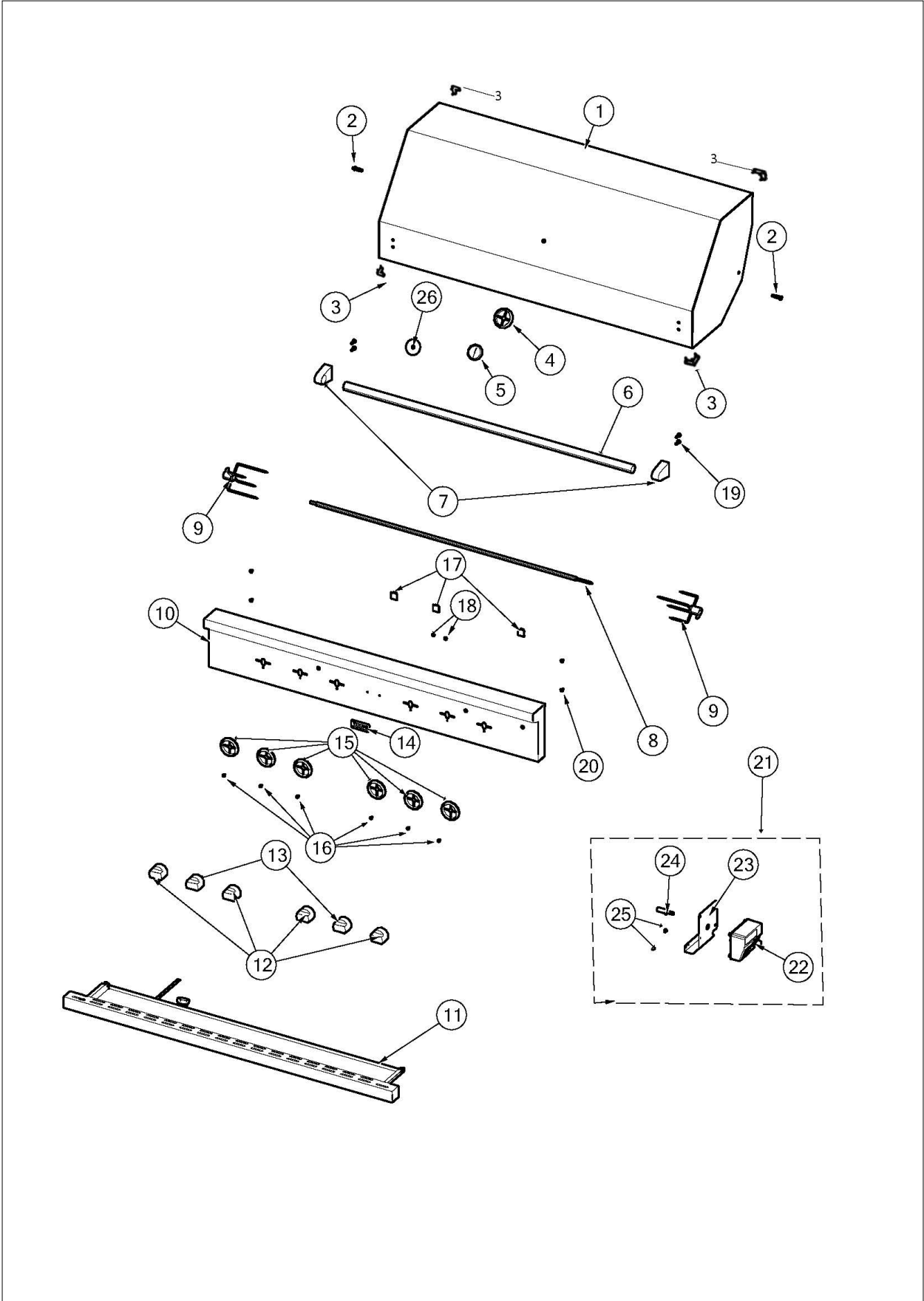
Item	Part No.	Name	Qty	Uom	NOTES
14	045626-000	PANEL, FRONT, HEAT SHIELD	1	EA	Not available online / Call for pricing and availability
15	029461-000	BOX, U BURNER, 30	4	EA	
16	035606-000	FLUE DIVERTER, 30	3	EA	
17	032239-000	BRACKET, REAR GRILL BURNER	4	EA	
18	036024-000	SUPPORT, TRAY, BRIQUETTE, 30	2	EA	
19	007206-000	CANOPY, SPRING, ASSIST-LIGHT	2	EA	
20	007818-000	RETAINER, CANOPY SPRING	2	EA	
21	036728-000	BRACKET, ROTIS ROLLER	1	EA	
22	031598-000	HANGER, WARMING RACK	2	EA	
23	045763-000	54" WARMING RACK	1	EA	
24	045831-000	WINDSHIELD, BQ RH ASM W/ROTIS	1	EA	
25	045830-000	WINDSHIELD, BQ, ASM LH	1	EA	
26	040745-000	WINDSHIELD, BQ, IS, LH	1	EA	
27	040775-000	WINDSHIELD, BQ, OS, RH	1	EA	
28	032370-000	TRAY, CRMC, BRIQUETTE, ASM	8	EA	
29	B2005347	I/R Frame	2	EA	
30	047078-000	COVER, ROTIS IGNITOR	1	EA	Not available online / Call for pricing and availability
31	029457-000	COVER, ROTIS IGNITOR	1	EA	
32	N/P	FRAME, GRL, TOP	1	EA	
Not Shown	NOTE	(NOT FIELD REPLACEABLE)		EA	
33	N/P	BOTTOM INNER HEAT SHIELD (54")	1	EA	
Not Shown	NOTE	(NOT FIELD REPLACEABLE)		EA	
34	002671-000	RUBBER DOOR BUMPER	2	EA	
35	037304-000	FASTENER, PNH, TORX, AB, PSVD, WAX	101	EA	
36	029454-000	BRACKET, ROTIS IGNITOR, MTG	2	EA	



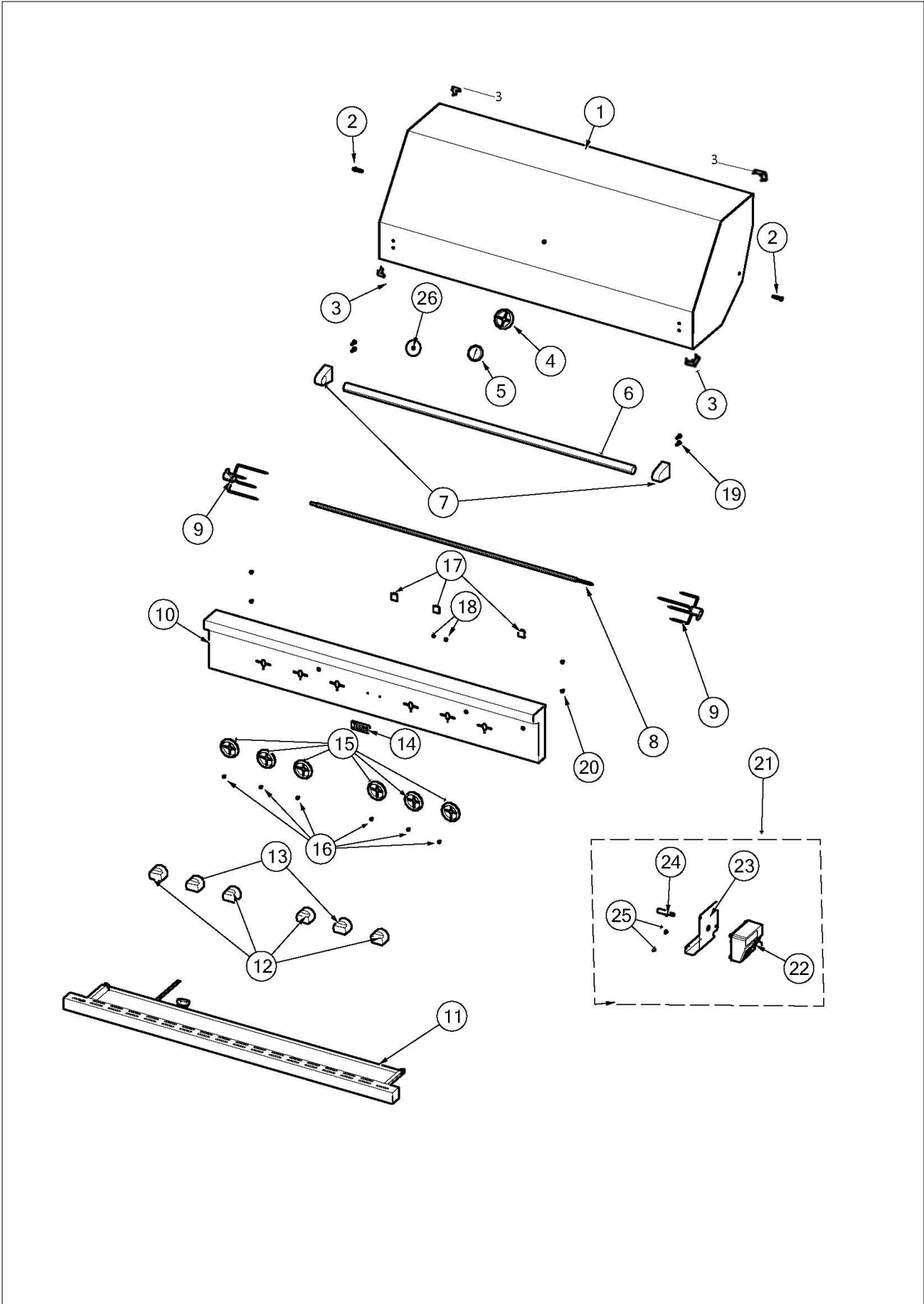




Item	Part No.	Name	Qty	Uom	NOTES
37	PD040005	SNAP BUSHING - 7/8"	2	EA	
38	PD950013	LATCH PANEL ACCESS	2	EA	



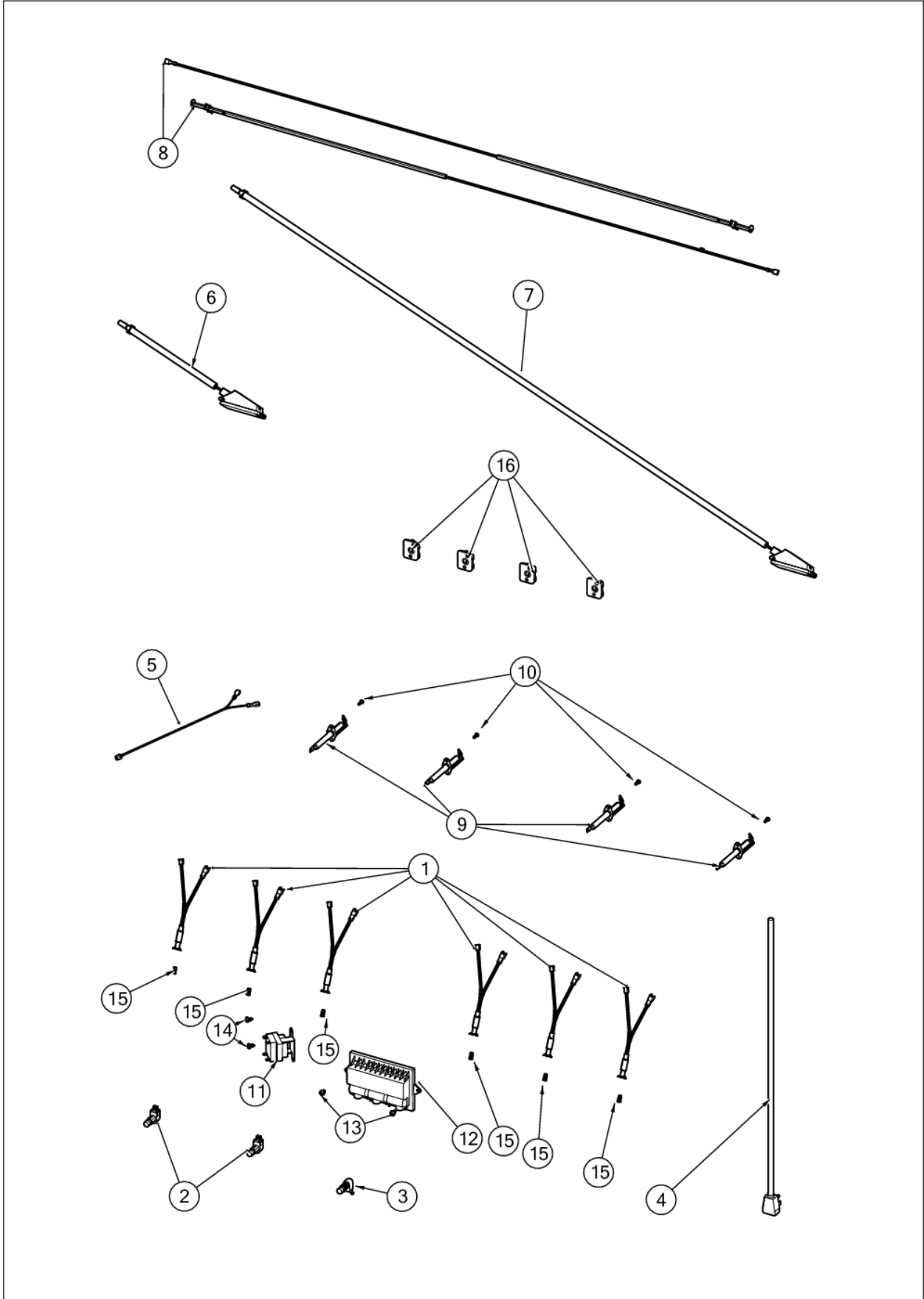
Item	Part No.	Name	Qty	Uom	NOTES
1	050061-000	54" CANOPY ASM	1	EA	
2	034607-000	FASTENER, BOLT, 5/16 - 1-1/2"	2	EA	
3	049528-000	CANOPY BUMPER	4	EA	
4	PB010304	KNOB BEZEL	2	EA	
5	042720-000	GAUGE, BMTL, TEMPERATURE	1	EA	
6	045480-000	54" CANOPY HANDLE	1	EA	
7	026965-000	END CAP, ASM, DOOR HANDLE	2	EA	
8	045828-000	54" SPIT ROD	1	EA	
9	032881-000	FORK, RTSR	2	EA	
10	047019-2631	CONTROL PANEL ASM, W/GRAPHICS- 54"	1	EA	
11	045726-000	DRIP TRAY ASM, BQ, 54"	1	EA	
Not Shown	NOTE	(BEFORE 12/18/14)		EA	
11	052984-000	54" DRIP TRAY	1	EA	
Not Shown	NOTE	(ON OR AFTER 12/18/14)		EA	
12	035901-000	KNOB,GRL,WOK,PRO CR3	4	EA	
13	038435-000	KNOB, ROTISS, PRO, CR3	2	EA	
14	PE010142	3" VIKING LOGO BLACK/CHROME	1	EA	
15	PB010304	KNOB BEZEL	6	EA	
16	037304-000	FASTENER, PNH, TORX, AB, PSVD, WAX	6	EA	
17	M0104106	CLIP-CORD VM0104106	3	EA	
18	PD030006	CAPPED WASHER PAL NUT	2	EA	
19	PD020069	CAP SCREW 1/4-20 X 3/4 SS	4	EA	
20	014143-000	SCR 10-12 A SHLD TRP 1/2 S ZN BLUE	4	EA	
21	043708-000	GRILL, MOT, MT, 304, RTSR ASSY	1	EA	
22	032461-000	MOTOR, ROTIS (COMES WITH POWER CORD)	1	EA	
23	043284-000	ROTISS MOTOR BRACKET	1	EA	
24	037377-000	ADAPTER, HEX, ROTISSERIE MOTOR ADAPTER	1	EA	
25	PD040004	GROMMET BUMPER	2	EA	





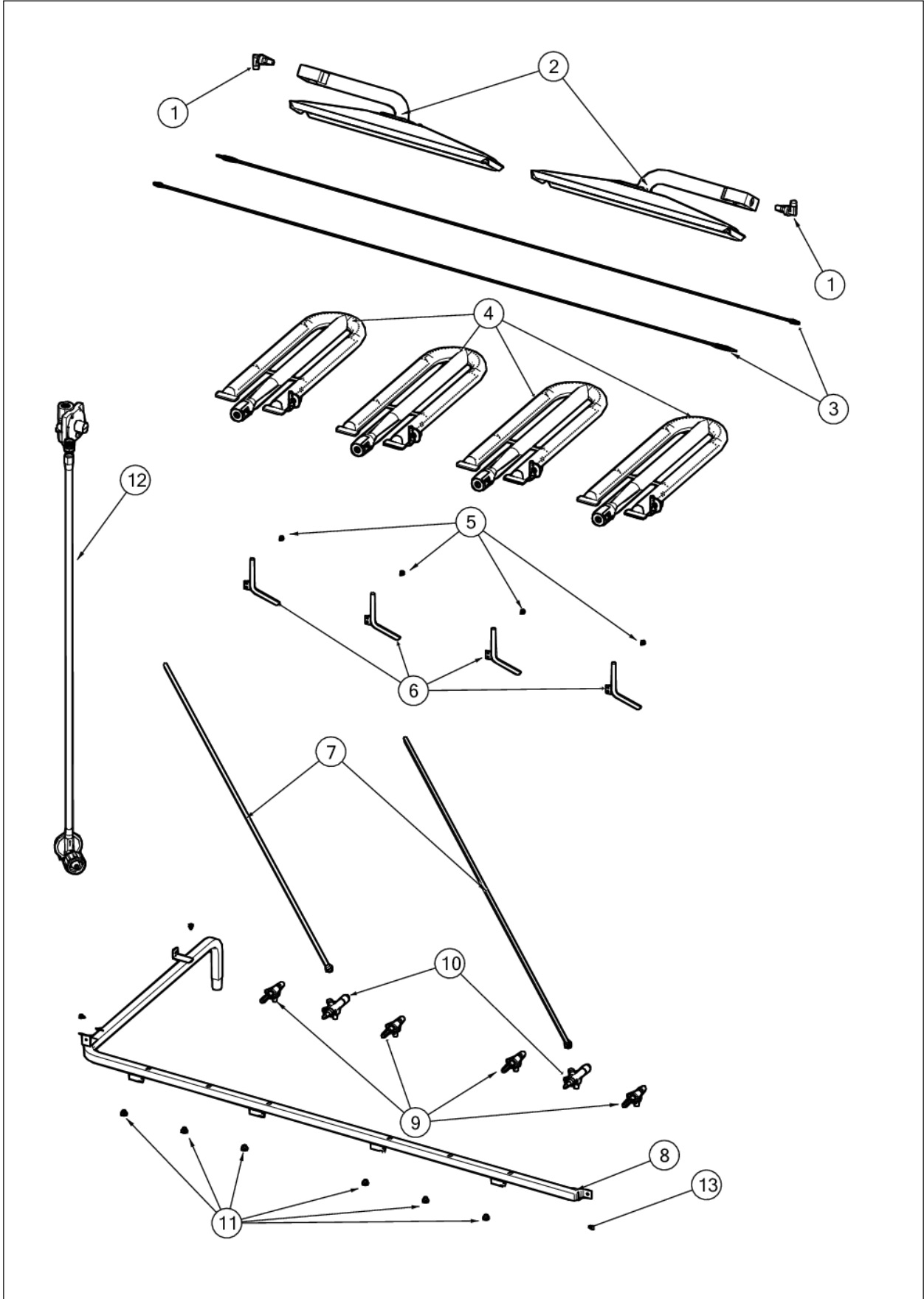
Item	Part No.	Name	Qty	Uom	NOTES
26	026724-000	SPACER, WSHR	1	EA	

ELECTRICAL



Item	Part No.	Name	Qty	Uom	NOTES
1	044929-000	LAMP, LED, 12VDC, 470, BLK HS, ASM (SEE 048809-000)	6	EA	
2	PE050063	SPARKER SWITCH (PHASE 2)	2	EA	
3	PE050019	OVEN LIGHT SWITCH (VGSO166) 90-DEG.	1	EA	
4	PE070189	ELECTRICAL SUPPLY CORD - BBQ GRILL	1	EA	
5	047027-000	HARNESS, LED, POWER	1	EA	
6	034082-000	120V HALOGEN LIGHT ASM	1	EA	
7	037496-000	LAMP, HALOGEN, ASM, OVEN 125VAC	1	EA	
8	048238-000	IGNITOR, GRILL, W/WIRE ASM	2	EA	
9	008091-000	PB040288 IGNITOR KIT	4	EA	
10	004706-000	MACHINE SCREW, 6-32 x 3/8, PAN HD, PHILLIPS	4	EA	
11	006021-000	SCE, PWR, LED, 12VAC	1	EA	
12	PA020048	Spark Module (6B /6G/ 4Q)	1	EA	
13	037304-000	FASTENER, PNH, TORX, AB, PSVD, WAX	2	EA	
14	037304-000	FASTENER, PNH, TORX, AB, PSVD, WAX	2	EA	
15	044350-000	LENS, COVER, LED, BLUE	6	EA	
16	PA020045	Spark Ignition Switch	4	EA	
NI	046679-000	54 WIRE HARNESSá	1	EA	
NI	035561-000	WIRE, IGNITOR, GRILL 8"	1	EA	
NI	035565-000	WIRE, IGNITOR, GRILL 12"	1	EA	
NI	036452-000	WIRE ASM, IGNITER, 21	1	EA	
NI	G4006379	WIRE ASSY (VGBQ-T SERIES) 25"	1	EA	
NI	048317-000	ROTISS, IGNITOR, EXTENSION	2	EA	
NI	039137-000	TUBING, INSUL, GAS IGNITOR	2	EA	
NI	033701-000	COVER, VALVE	4	EA	
NI	047027-000	HARNESS, LED, POWER	1	EA	
NI	034992-000	TIE, NYLON CABLE	4	EA	

GAS







Item	Part No.	Name	Qty	Uom	NOTES
1	PB040125	ORIFICE FTG 90D 20"IR #57 HD YELLOW	2	EA	
1	PB040124	90 DEG. ORIFICE FITTING	2	EA	
2	G3005289	I/R Burner Assy	2	EA	
3	042576-000	THERMOCOUPLE	2	EA	
4	029479-000	U-BURNER, BQ ASM	5	EA	
5	037304-000	FASTENER, PNH, TORX, AB, PSVD, WAX	4	EA	
6	PB020114	FLASH TUBE (VGBQ3002T)	4	EA	
7	046934-000	55 6/16 S.S. FLEX TUBING (T5-NF01-55)	2	EA	
8	045546-000	54" MANIFOLD	1	EA	Not available online / Call for pricing and availability
9	014953-000	VALVE, GAS, ASM, U BNR - LP #54	4	EA	
9	014952-000	VALVE, GAS, ASM, U BNR #40	4	EA	
10	038657-000	VALVE, RTSR, ASM, LP	2	EA	
10	038629-000	VALVE, RTSR, ASM, NAT	2	EA	
11	PD010012	1/4 x 3/8 VALVE BOLT	6	EA	
12	043214-000	REGULATOR, HOSE, LP ASSY	1	EA	
12	043217-000	REGULATOR, NAT ASSY	1	EA	
13	037304-000	FASTENER, PNH, TORX, AB, PSVD, WAX	3	EA	



Appendix A:Pages Index

BASE .....	1
DECOR .....	2
ELECTRICAL .....	3
GAS .....	4



Appendix B:Parts Index

002671-000	1	038629-000	4
004706-000	3	038657-000	4
006021-000	3	039137-000	3
007206-000	1	040745-000	1
007818-000	1	040775-000	1
008091-000	3	042576-000	4
014143-000	2	042720-000	2
014952-000	4	043214-000	4
014953-000	4	043217-000	4
026724-000	2	043284-000	2
026965-000	2	043708-000	2
029434-000	1	044350-000	3
029454-000	1	044929-000	3
029457-000	1	045447-000	1
029459-000	1	045448-000	1
029461-000	1	045480-000	2
029479-000	4	045546-000	4
031544-000	1	045626-000	1
031551-000	1	045627-000	1
031598-000	1	045726-000	2
032239-000	1	045737-000	1
032370-000	1	045763-000	1
032461-000	2	045828-000	2
032881-000	2	045830-000	1
033701-000	3	045831-000	1
034082-000	3	046679-000	3
034607-000	2	046934-000	4
034992-000	3	047017-000	1
035094-000	1	047019-2631	2
035561-000	3	047027-000	3, 3
035565-000	3	047078-000	1
035606-000	1	048238-000	3
035901-000	2	048317-000	3
036024-000	1	049528-000	2
036452-000	3	050061-000	2
036728-000	1	052481-000	1
037304-000	1, 2, 3, 3, 4, 4	052486-000	1
037377-000	2	052487-000	1
037496-000	3	052984-000	2
038435-000	2	B2005347	1
		G3005289	4



G4006379	3
M0104106	2
PA020045	3
PA020048	3
PB010304	2, 2
PB020114	4
PB040124	4
PB040125	4
PD010012	4
PD020069	2
PD030006	2
PD040004	2
PD040005	1
PD950013	1
PE010142	2
PE050019	3
PE050063	3
PE070189	1, 3