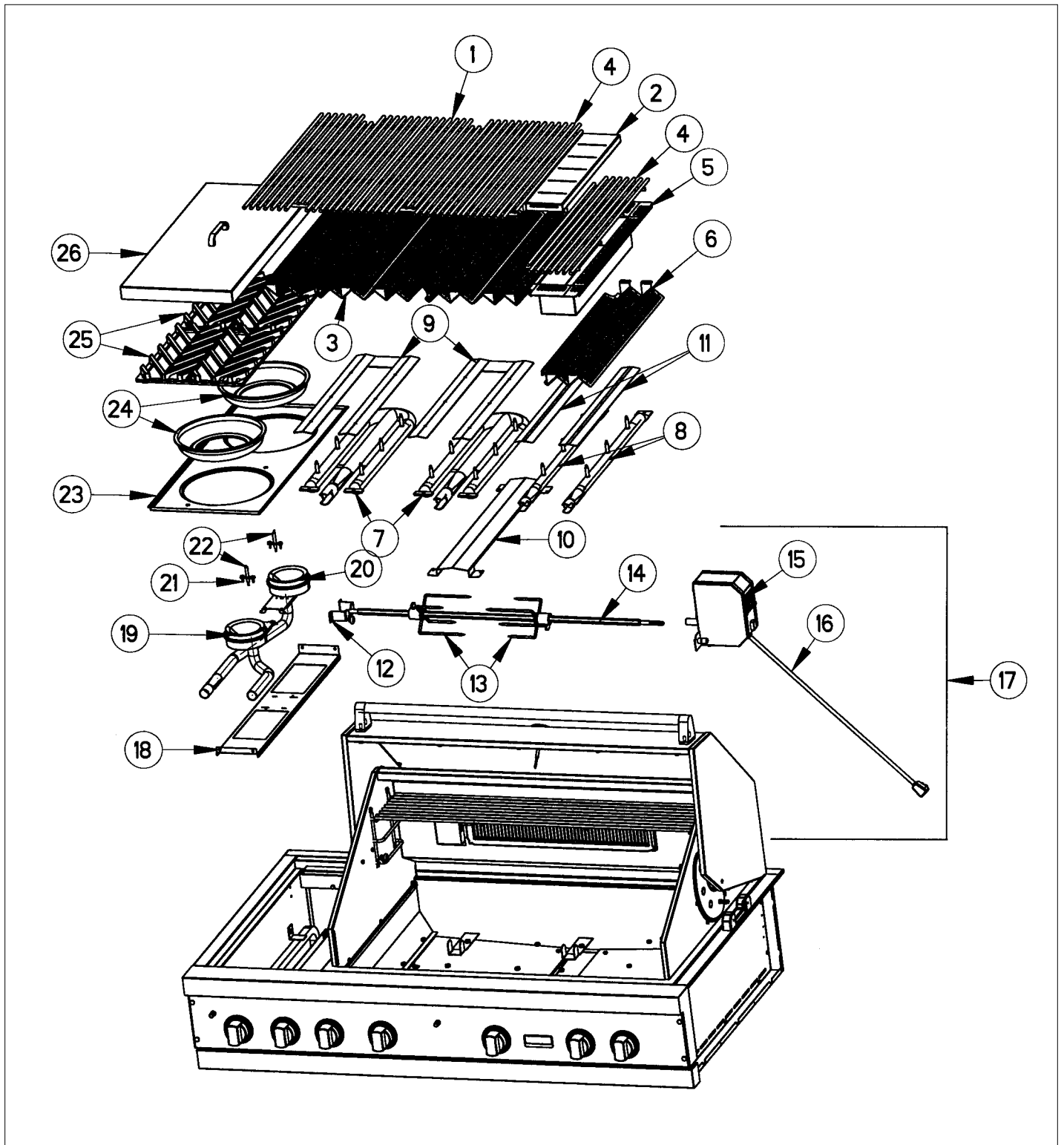


**VGBQ5323RT**

BURNER-GRATE ASSEMBLY .....	1
CONTROL-VALVE ASSEMBLY .....	2
GRILL SUBASSEMBLY .....	3
WIRING .....	4
WIRING CONT. ....	5
Appendix A:Pages Index .....	A
Appendix B:Parts Index .....	B

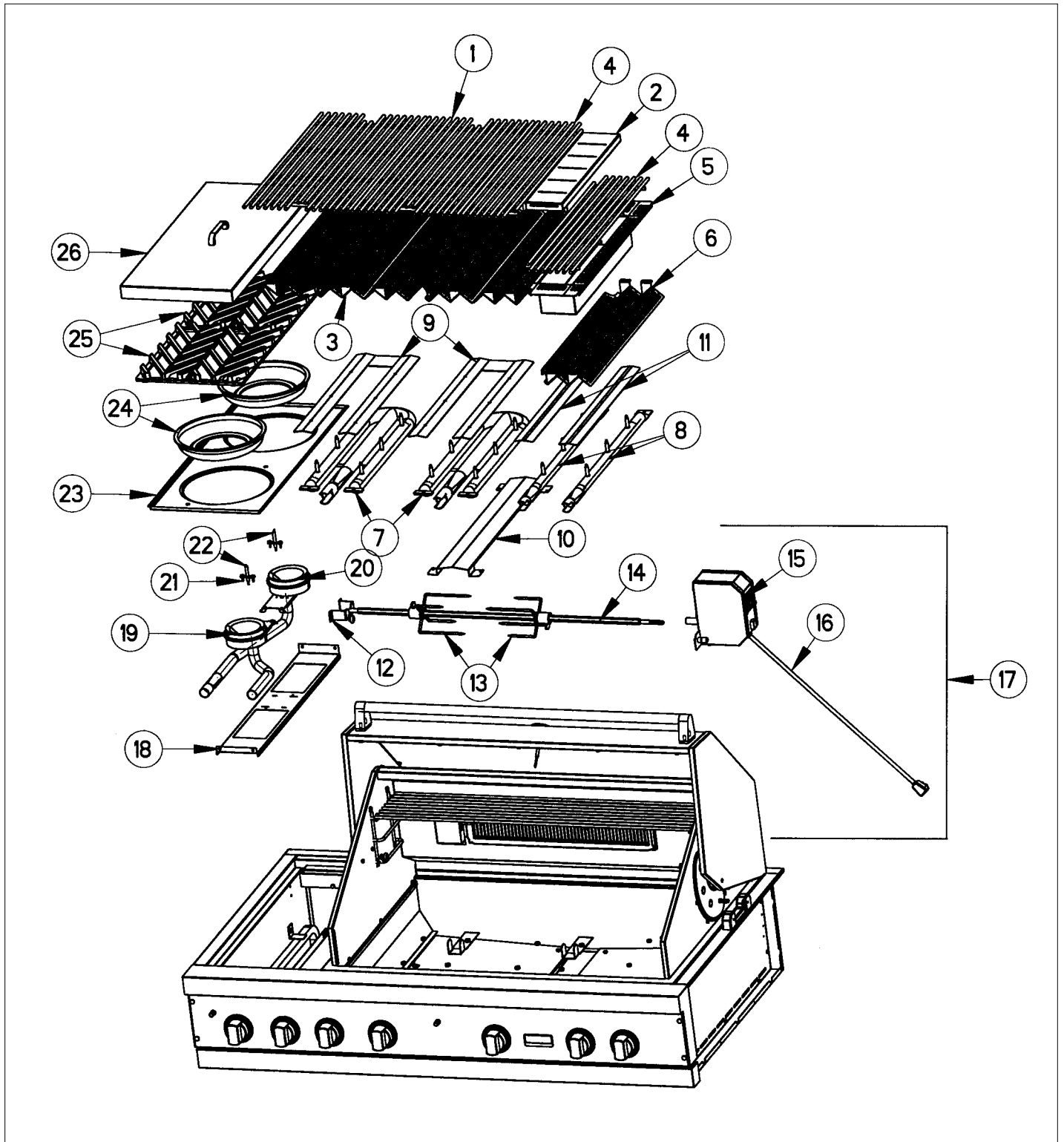


BURNER-GRADE ASSEMBLY





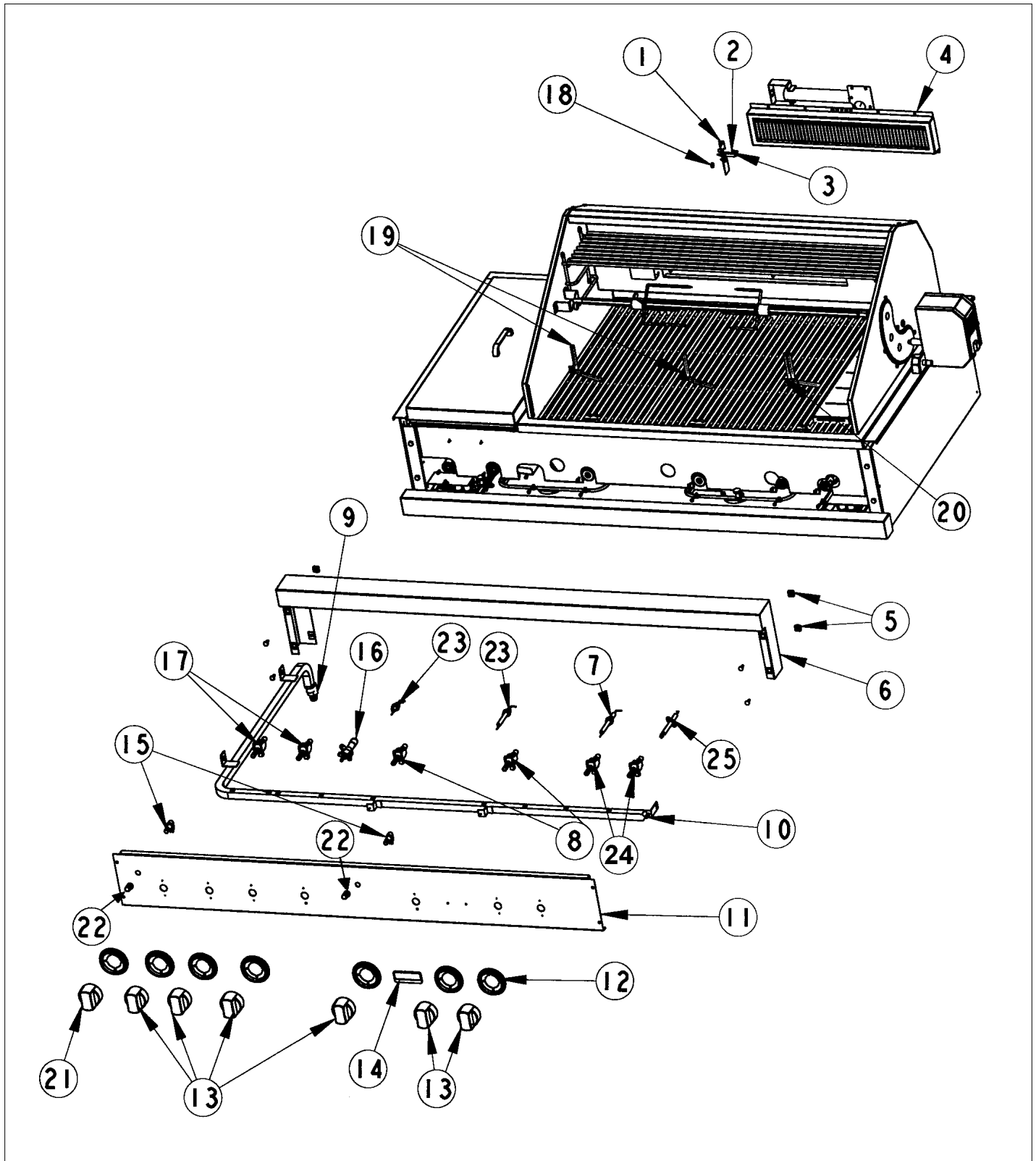
Item	Part No.	Name	Qty	Uom	NOTES
1	PA060052	Full Grill Grate	2	EA	
1	PA060068	FULL GRATE *SS*	2	EA	
2	B3005325	SUB TO 027596-000		EA	NO LONGER AVAILABLE
3	G5009726	HALF FLAVOR GRID KIT		EA	
4	PA060053	1/2 Grill Grate	2	EA	
4	PA060069	Half Grate SS	2	EA	
5	B3005326	SUBS TO 027596-000		EA	Not available online / Call for pricing and availability
6	PK010061	1/2 Flavor Grid		EA	
7	PA080050	Grill Burner		EA	
8	PA080051	Smoker Burner		EA	
9	B2004921	Burner Drip Shield		EA	
<p>Comments for Part Num. B2004921</p> <p>vharding68@verizon.net on Jul 25, 2017</p> <p>PART NUMBER FOR THE NUTS (TOTAL 18) FOR ALL 4 SHIELDS IS PD030060 KEPS NUT (10-32)</p> <p>I BELIEVE THE PD030044 KEPS NUT (10-24) ARE FOR A DIFFERENT PART OF THE UNIT.</p>					
10	B2005246	BURNER BOX SHIELD (PHASE 2)		EA	
11	B2005324	Burner Drip Shield		EA	
12	B2005278	ROTISSERIE ROLLER BRACKET (PHASE 2)	1	EA	
NI	PC020025	DRIP TRAY WHEEL	2	EA	
NI	PD020082	10 X 24 COUNTERSUNK S.S. SCREW	2	EA	
13	032881-000	FORK, RTSR		EA	
14	PB060053	Spit Rod		EA	
15	PE070184	ROTISSERIE MOTOR		EA	
16	PE070189	ELECTRICAL SUPPLY CORD - BBQ GRILL		EA	
17	G3205282	ROTIS MOTOR ASSEMBLY (PHASE 2)		EA	
18	B2005260	PHASE II BURNER SUPPORT		EA	
19	PA080052	FRONT BURNER		EA	
20	PA080053	REAR TOP BURNER		EA	





Item	Part No.	Name	Qty	Uom	NOTES
21	PD020055	' #10 X 1/2" PAN PHIL. TEK.*SS*		EA	
22	PA020028	SPARK IGNITER		EA	
23	B2105290	VGIQ30 COVER HANDLE		EA	
24	PA030002SS	BURNER BOWL (VGBQ) *SS*		EA	
25	PA060051	GRILL V GRATE (PHASE 2)		EA	
26	G5007416	BURNER COVER ASSEMBLY - NLA		EA	
27	PD010090	ROTIS FASTENER KNOB		EA	
NI	027596-000	BOX, SMOKER ASM		EA	
Not Shown	NOTE	Includes:		EA	
Not Shown	NOTE	Smoker Box Top (Item 2)		EA	
Not Shown	NOTE	Smoker Box Bottom (Item 5)		EA	
Not Shown	NOTE	Smoker Box Hinge		EA	
Not Shown	NOTE	Steamer Rack		EA	
NI	000645-000	ENCLOSURE FUEL CATCH - LH		EA	
NI	000646-000	ENCLOSURE FUEL CATCH - RH		EA	

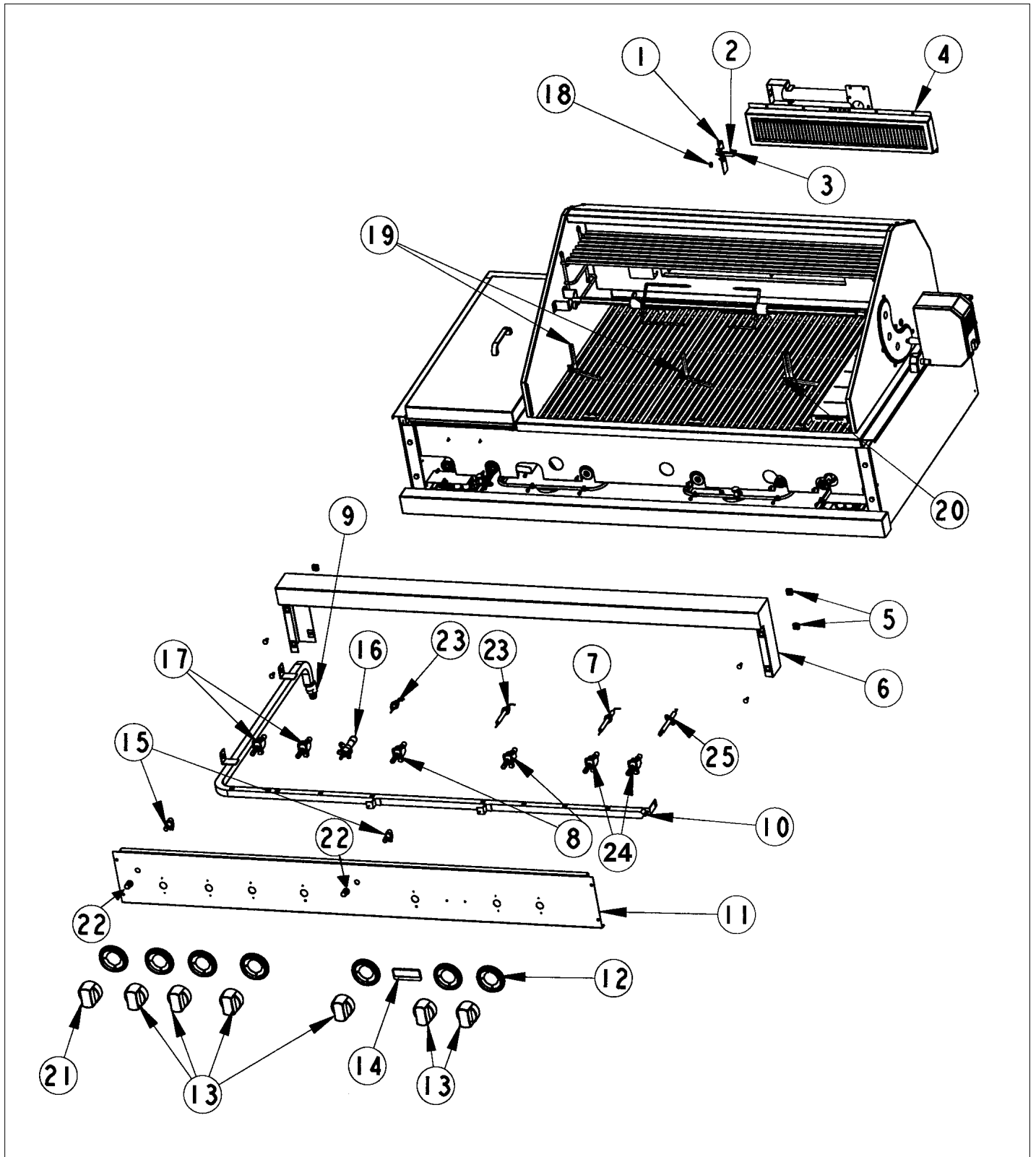
CONTROL-VALVE ASSEMBLY





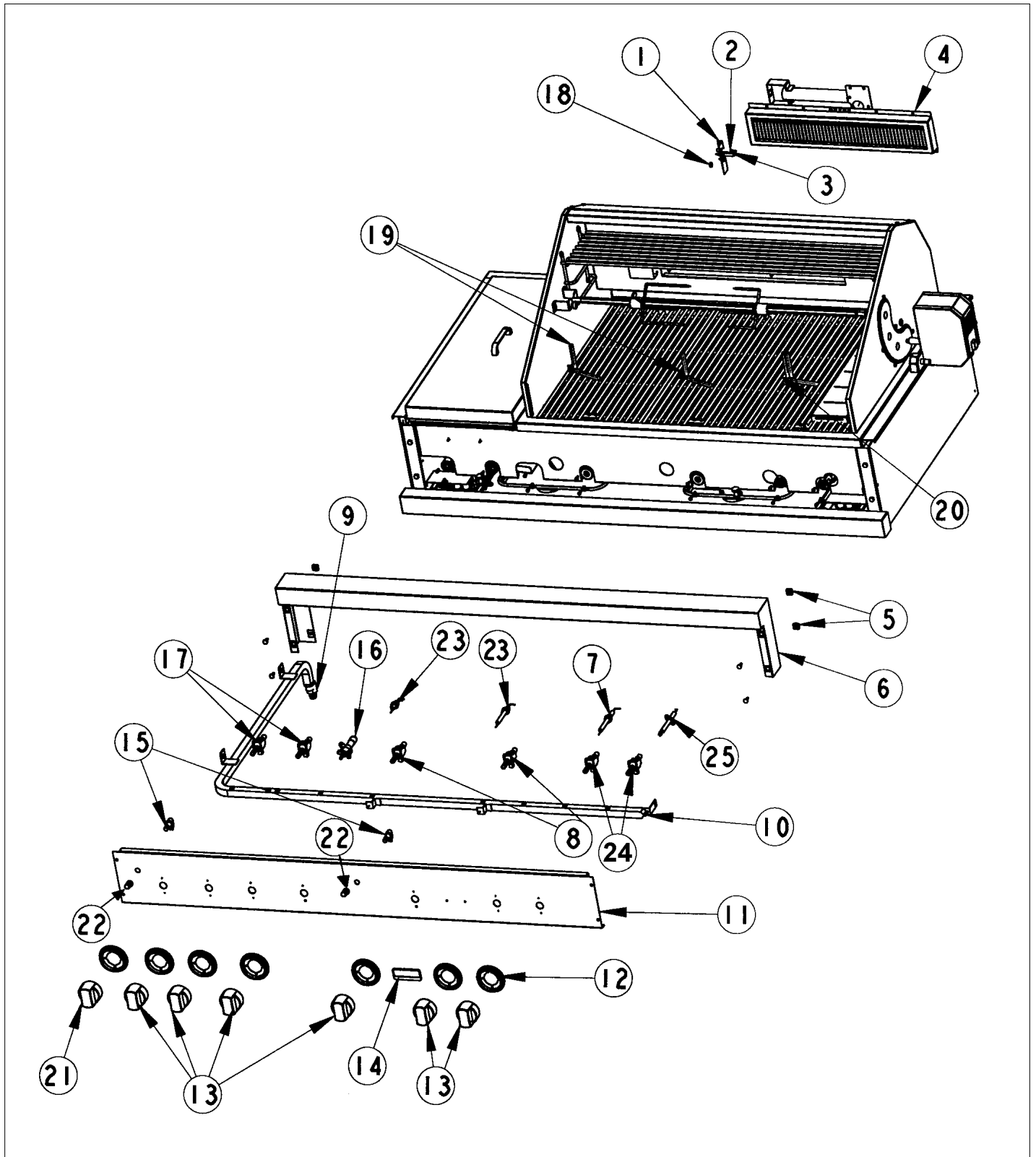


Item	Part No.	Name	Qty	Uom	NOTES
1	B2005271	IR IGNITOR BRACKET (PHASE 2)		EA	
2	PB010162	THERMOCOUPLE - BBQ GRILL W/ ROTIS		EA	
3	PB040122	IGNITOR FOR (BBQ GRILL) (1647-89)		EA	
4	G3005289	I/R Burner Assy		EA	
5	PD030050	10-24 CAGE NUT *SS*		EA	
6	PK010065	LANDING LEDGE (VGBQ53) T SERIES		EA	
7	008090-000	PB040287 IGNITOR KIT		EA	
8	003516-000	GRILL VALVE NAT. (7,600-25,000 BTU)		EA	
Not Shown	NOTE	(After 8/5/02)		EA	
Not Shown	G50010142	GRILL VALVE/KNOB SERVICE KIT (NAT.)		EA	
Not Shown	NOTE	(Before 8/5/02)		EA	
PA010150	003538-000	PA010150 VALVE AND BOLT KIT		EA	
Not Shown	NOTE	(After 1/23/03)		EA	
Not Shown	G50010143	GRILL VALVE/KNOB SERVICE KIT (L.P.)		EA	
Not Shown	NOTE	(Before 1/23/03)		EA	
NI	PB040235	1/2"NPT TO 3/8" FLARE COUPLING		EA	
NI	PB040146	1/2" X 3/8" FLARE ADAPTER (VGBQ)		EA	
9	023653-000	Nipple-Coupler Assy		EA	
10	PA050068	PHASE2 53" MANIFOLD		EA	
11	B9205319	CTRL PAN (VGBQ5323RT) W/SIDE BURN		EA	
12	050172-000	BEZEL, KNOB		EA	
Not Shown	PB010209	Bezel - BR		EA	
13	PA010097	GRILL BURNER KNOB		EA	
Not Shown	NOTE	(BEFORE 06/28/02)		EA	





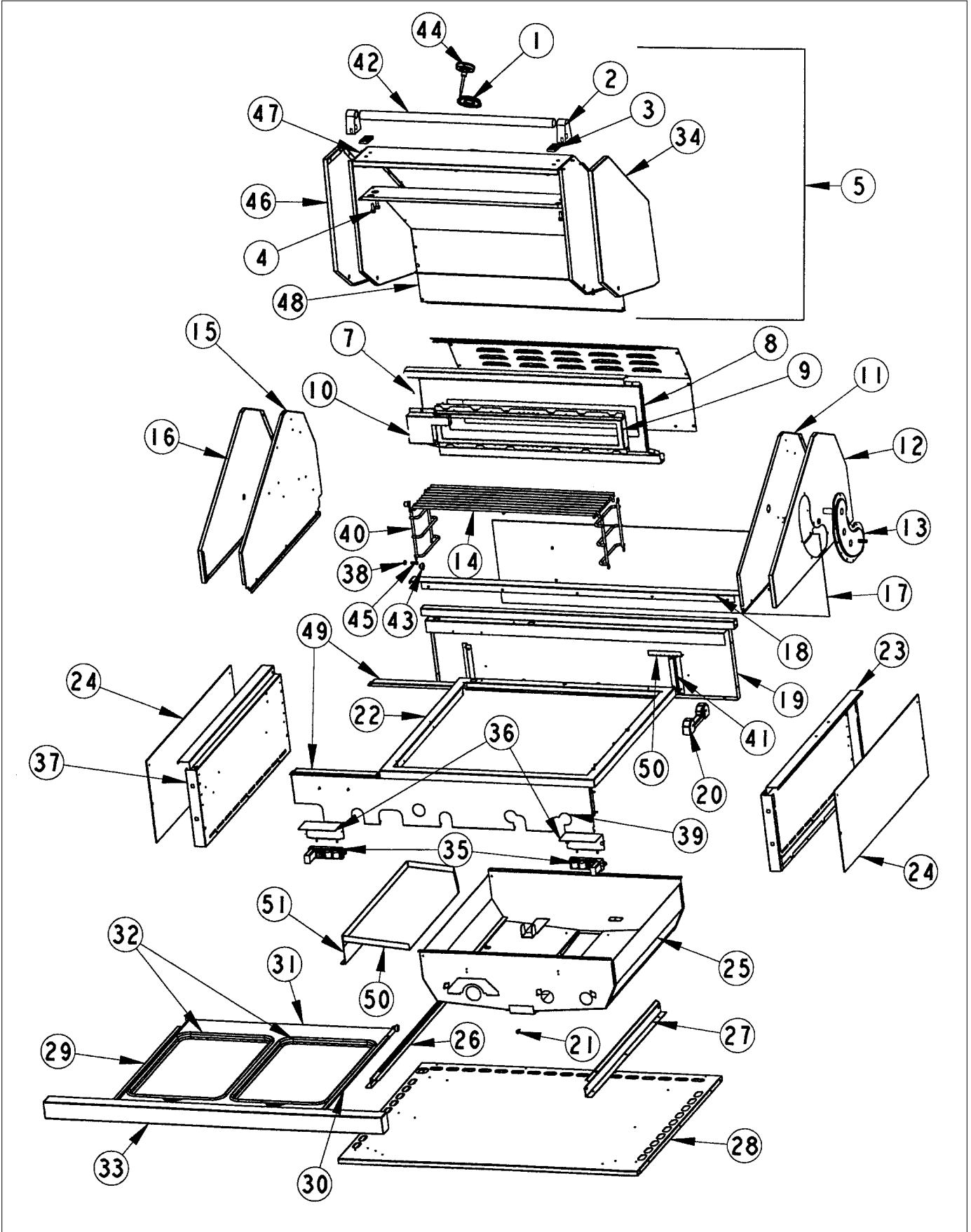
Item	Part No.	Name	Qty	Uom	NOTES
Not Shown	PA010126	OUTDOOR GRILL KNOB		EA	
Not Shown	NOTE	(ON OR AFTER 06/28/02)		EA	
14	PE010142	3" VIKING LOGO BLACK/CHROME		EA	
Not Shown	PE010143	3" LOGO BK/BR		EA	
15	PE050063	SPARKER SWITCH (PHASE 2)		EA	
16	046328-000	NATURAL ROTIS VALVE - KNOB KIT		EA	
PB01022 0	046329-000	LP ROTIS VALVE - KNOB KIT		EA	
17	003539-000	GRILL VALVE L.P. (3,700-13,500 BTU)		EA	
Not Shown	NOTE	(After 4/10/03)		EA	
Not Shown	G50010141	SIDE BURNER VALVE/KNOB SERVICE KIT (L.P.)		EA	
Not Shown	NOTE	(Before 4/10/03)		EA	
Not Shown	PA010151	GRILL VALVE NAT. (1,800- 15,000 BTU)		EA	
Not Shown	NOTE	(After 8/5/02)		EA	
Not Shown	G50010140	SIDE BURNER VALVE/KNOB SERVICE KIT (NAT.)		EA	
Not Shown	NOTE	(Before 8/5/02)		EA	
18	PD030048	THERMCOUPLE NUT M08- VGBQ-8743300007		EA	
19	PB020114	FLASH TUBE (VGBQ3002T)		EA	
20	PB020115	SMOKER FLASH TUBE		EA	
21	PA010088	ROTIS. BURNER KNOB		EA	
22	PB010163	OVEN LIGHT SWITCH KNOB *BK* (VESO/D		EA	
23	008091-000	PB040288 IGNITOR KIT		EA	
24	003533-000	GRILL VALVE NAT. (5,000- 12,500 BTU)		EA	
Not Shown	NOTE	(After 6/28/02)		EA	



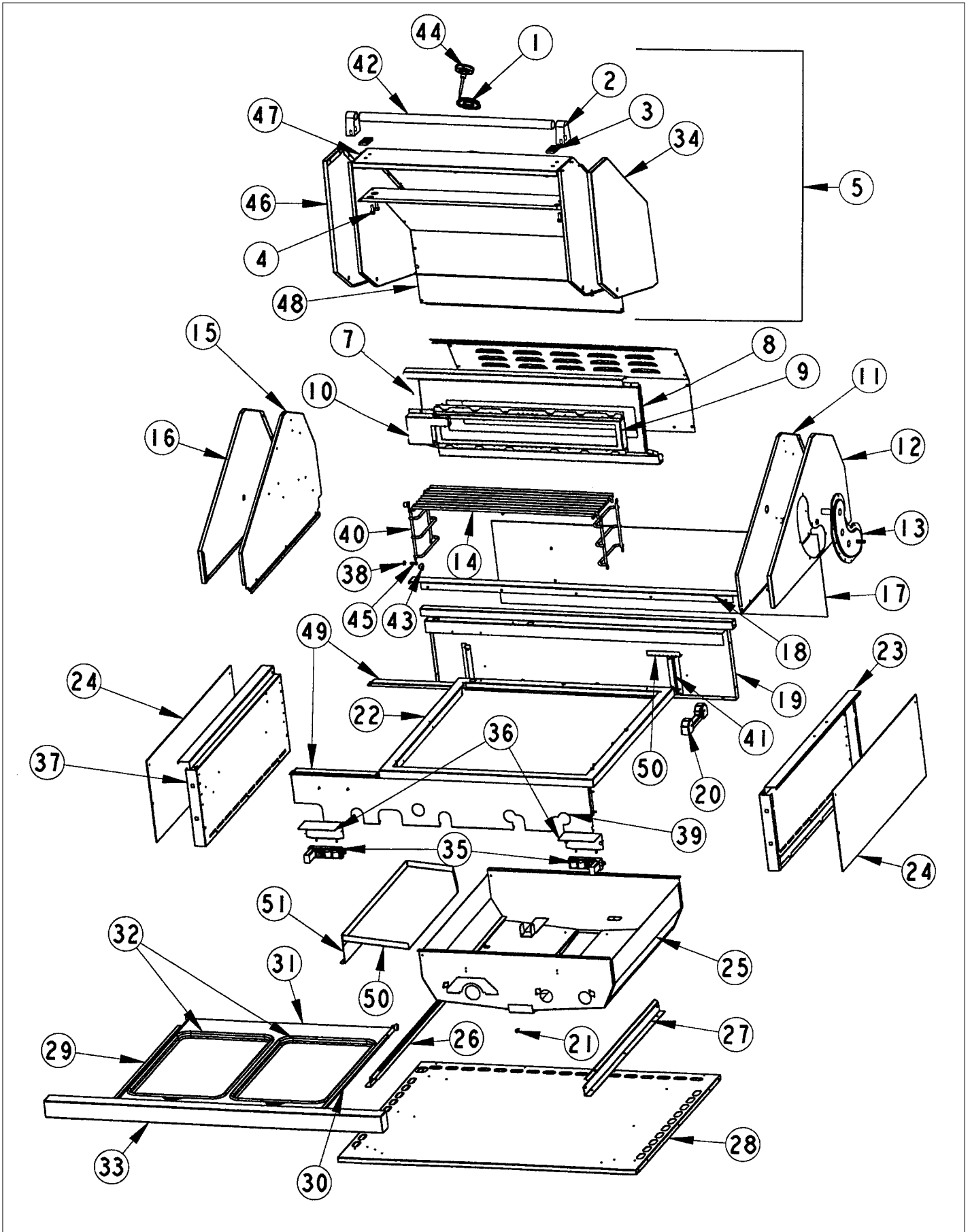


Item	Part No.	Name	Qty	Uom	NOTES
Not Shown	G50010144	SMOKER VALVE/KNOB SERVICE KIT (NAT.)		EA	
Not Shown	NOTE	(Before 6/28/02)		EA	
PA010154	003573-000	GRILL VALVE L.P. (5,000-10,500 BTU)		EA	
Not Shown	NOTE	(After 9/23/02)		EA	
Not Shown	G50010145	SMOKER VALVE/KNOB SERVICE KIT (L.P.)		EA	
Not Shown	NOTE	(Before 9/23/02)		EA	
NI	PB020096	48" 5/16 S.S. FLEX TUBING REPL F2003505		EA	
NI	G3004936	REGULATOR ASSY - NAT (P1 GRILL)		EA	
NI	G3004937	REGULATOR ASSY - L.P. W/HOSE		EA	

GRILL SUBASSEMBLY

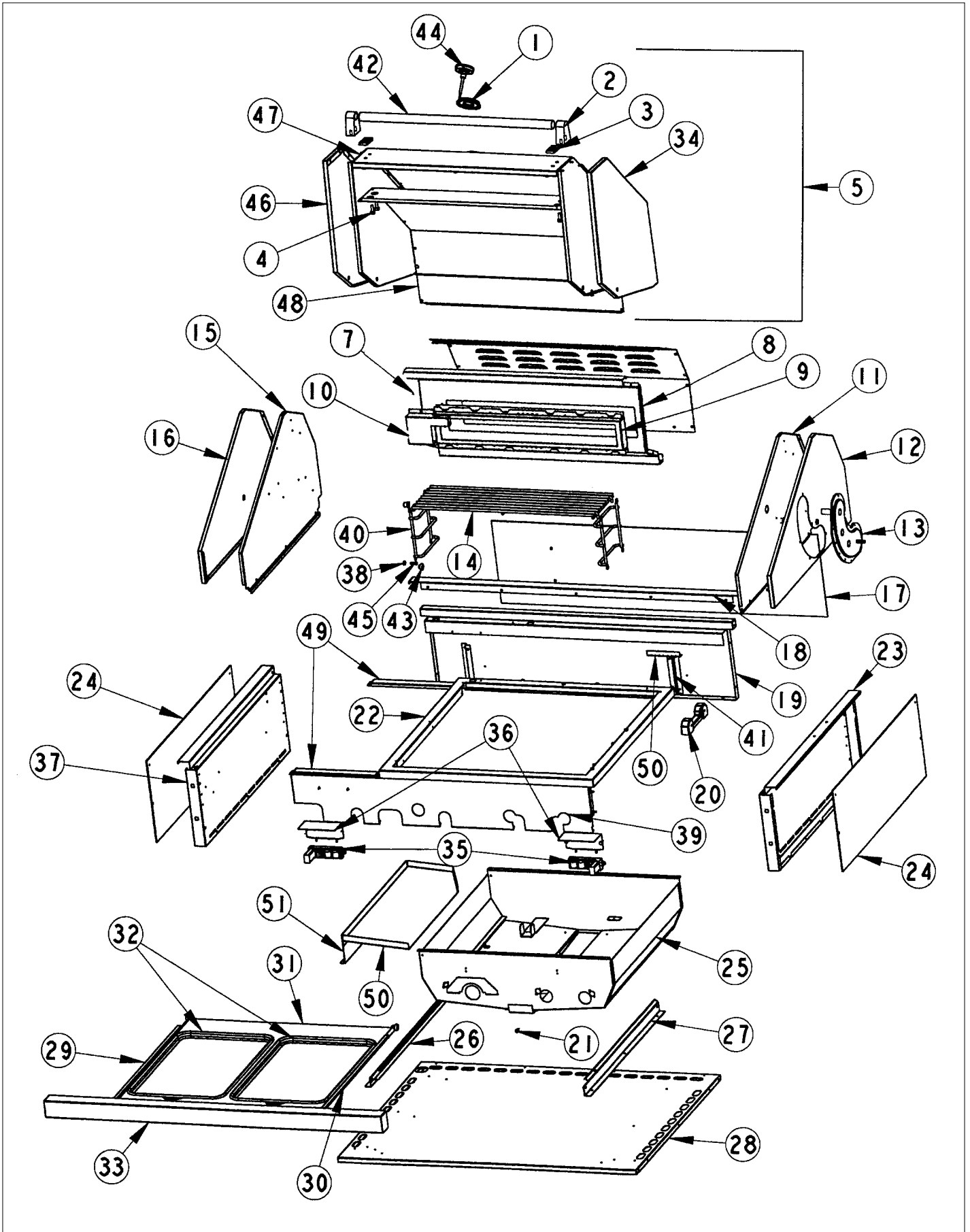


Item	Part No.	Name	Qty	Uom	NOTES
1	PB010192	THERMOSTAT BEZEL	1	EA	
Not Shown	PB010212	THERMOSTAT BEZEL BRASS	1	EA	
2	000268-000	HANDLE ENDCAP	1	EA	
Not Shown	PE030001PVD	END CAP DOOR HANDLE *BR	1	EA	
3	PD040010	DOOR HANDLE SPACER	1	EA	
4	PD020069	CAP SCREW 1/4-20 X 3/4 SS	1	EA	
5	G3205303FG	CANOPY ASSY 41 (P2 GRILL) *FG*	1	EA	NO LONGER AVAILABLE, Not available online / Call for pricing and availability
Not Shown	G3205303FGBR	CANOPY ASSY 41 (P2 GRILL) *FG*BR*	1	EA	NO LONGER AVAILABLE, Not available online / Call for pricing and availability
Not Shown	G3205303GG	CANOPY ASSY 41 (P2 GRILL) *GG*	1	EA	NO LONGER AVAILABLE, Not available online / Call for pricing and availability
Not Shown	G3205303GGBR	CANOPY ASSY 41 (P2 GRILL) *GG*BR*	1	EA	NO LONGER AVAILABLE, Not available online / Call for pricing and availability
Not Shown	G3205303SS	CANOPY ASSY 41 (P2 GRILL) *SS*	1	EA	
Not Shown	G3205303SSBR	CANOPY ASSY 41 (P2 GRILL) *SS*BR*	1	EA	NO LONGER AVAILABLE, Not available online / Call for pricing and availability
Not Shown	G3205303VB	CANOPY ASSY 41 (P2 GRILL) *VB*	1	EA	NO LONGER AVAILABLE, Not available online / Call for pricing and availability
Not Shown	G3205303VBBR	CANOPY ASSY 41 (P2 GRILL) *VB*BR*	1	EA	NO LONGER AVAILABLE, Not available online / Call for pricing and availability
6	B2005280	Rear Cover	1	EA	
7	G9105395	Front Housing Top Weld Assy - NLA	1	EA	
8	G9105328	Front Housing Assembly	1	EA	



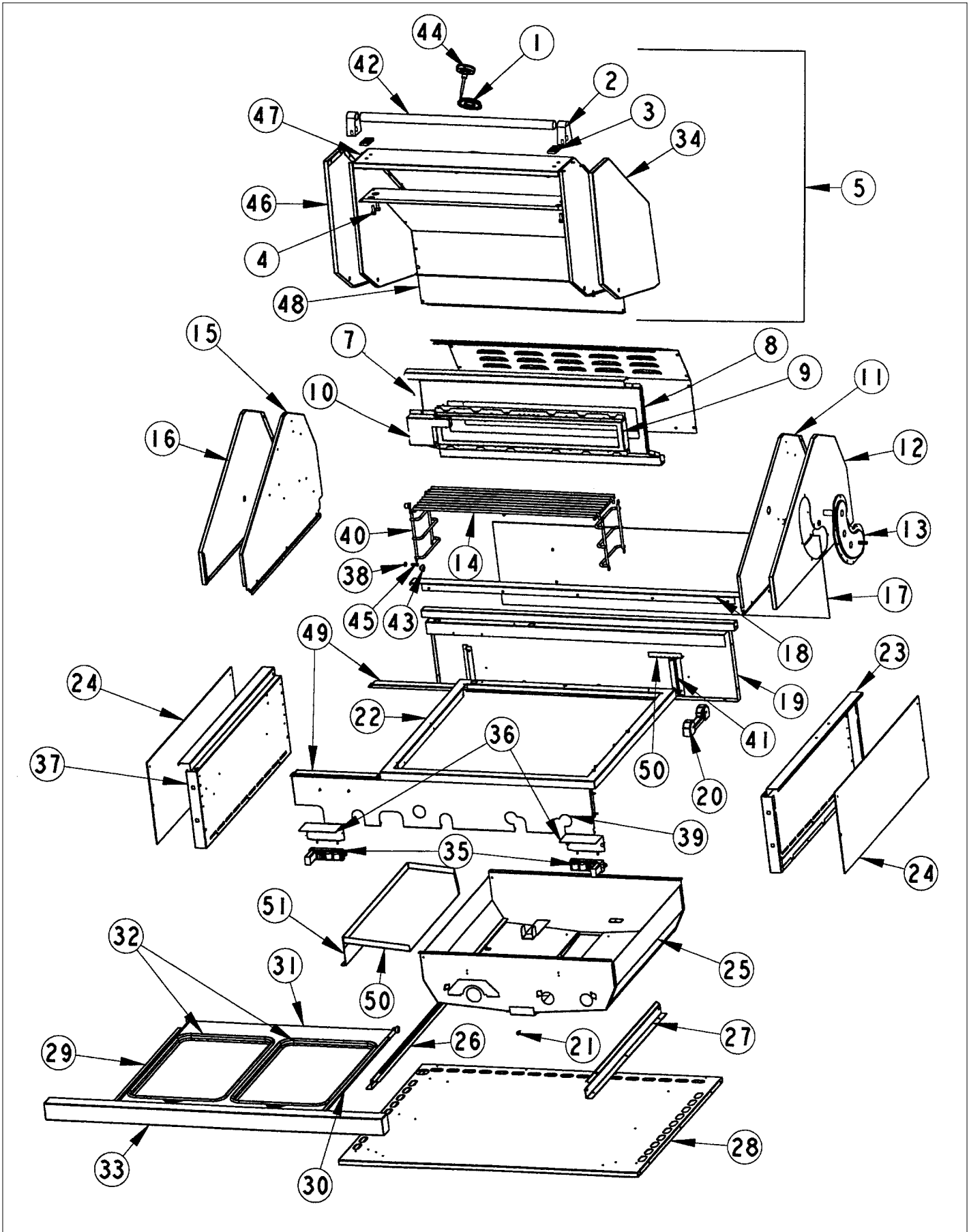


Item	Part No.	Name	Qty	Uom	NOTES
9	B2005347	I/R Frame	1	EA	
10	B2005273	I/R Igniter Cover	1	EA	
11	B2005263	I/S Windshield - RH	1	EA	Not available online / Call for pricing and availability
12	G5005256	O/S Windshield Assy - RH	1	EA	Not available online / Call for pricing and availability
13	G3105387	Gear Box Assembly	1	EA	Not available online / Call for pricing and availability
14	PB060056	Warming Rack	1	EA	
15	B2005264	I/S Windshield - LH	1	EA	
16	G5005257	O/S Windshield Assy - LH	1	EA	
17	L1004882	REAR HEAT SHIELD - 53"	1	EA	
18	B20010117	GRILL BOX TRIM - 53	1	EA	
19	B2005205	GRILL BOX BACK (VGBQ5323RT)	1	EA	
20	PB060055	Rotis. Mount Casting	1	EA	
21	PD020055	' #10 X 1/2" PAN PHIL. TEK.*SS*	1	EA	
22	B2005230	Grill Frame	1	EA	
23	B2005203	Grill Box Side - RH	1	EA	
24	L1005398	Side Heat Shield	1	EA	
25	G3005234	BURNER BOX ASSY 41 (VGBQ4103RT)	1	EA	
26	G3005214	DRIP TRAY SLIDE - LH	1	EA	
27	G3005215	DRIP TRAY SLIDE - RH	1	EA	
28	B2005200	GRILL BOX BOTTOM 53	1	EA	NO LONGER AVAILABLE
29	B2005317	DRIP TRAY RUNNER LH (PHASE 2)	1	EA	
30	B2005316	DRIP TRAY RUNNER RH	1	EA	
31	B2005309	DRIP TRAY 41	1	EA	
32	J2101749	GREASE PAN	1	EA	
33	B3005313	53" DRIP TRAY HANDLE	1	EA	
34	B3005292	CANOPY END RH (PHASE 2)	1	EA	



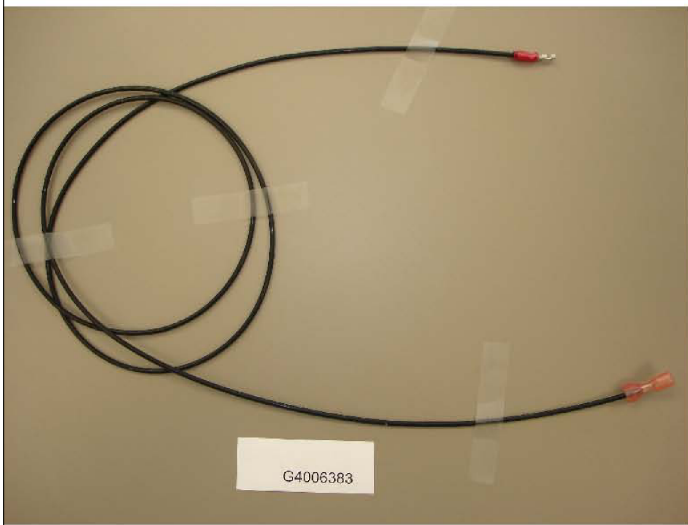


Item	Part No.	Name	Qty	Uom	NOTES
35	PA020036	SPARK MODULE	1	EA	
Not Shown	NOTE	(After 1/1/02)		EA	
Not Shown	G5007971	SPARK MODULE KIT	1	EA	
Not Shown	NOTE	(Before 1/1/02)		EA	
36	B2005250	SPARK MODULE BRACKET (PHASE 2)	1	EA	
37	B2005204	Grill Box Side - LH	1	EA	
38	PD030044	10-24 KEPS NUT *SS*	1	EA	
39	B2005217	GRILL BOX FRONT - S.B. 53	1	EA	NO LONGER AVAILABLE
40	002453-000	WARMING RACK SUPPORT SERVICE KIT	1	EA	
41	B2006305	HEAT SHIELD BRACKET	1	EA	
42	PE030040	DOOR/CNPY HNDLE - RPLCS PE930090	1	EA	NO LONGER AVAILABLE
Not Shown	PE030044PVD	CNPY HDLE 41/53 PVD F0005408	1	EA	NO LONGER AVAILABLE
43	PC020025	DRIP TRAY WHEEL	1	EA	
44	PB010337	GRILL THERMOMETER	1	EA	
45	PD020082	10 X 24 COUNTERSUNK S.S. SCREW	1	EA	
46	B3005293	CANOPY END LH (PHASE 2)	1	EA	
47	B2005297	GRILL CANOPY - 41" (PHASE 2)	1	EA	
Not Shown	B9005297FG	CANOPY BODY *FG* VGBQ4103RT	1	EA	NO LONGER AVAILABLE, Not available online / Call for pricing and availability
Not Shown	B9005297GG	CANOPY BODY *GG* VGBQ4103RT	1	EA	NO LONGER AVAILABLE
Not Shown	B9005297VB	CANOPY BODY *VB* VGBQ4103RT	1	EA	NO LONGER AVAILABLE, Not available online / Call for pricing and availability
48	B2005300	CANOPY HEAT SHIELD 41/53	1	EA	Not available online / Call for pricing and availability
49	B2006340	GRATE SUPPORT BRACKET	1	EA	





Item	Part No.	Name	Qty	Uom	NOTES
50	B2005390	GREASE DIVERTER (PHASE 2)	1	EA	NO LONGER AVAILABLE, Not available online / Call for pricing and availability
51	B2005259	SIDE BURNER DRIP SHIELD	1	EA	NO LONGER AVAILABLE, Not available online / Call for pricing and availability
NI	G4006381	WIRE ASSY (VGBQ-T SERIES) 15"	1	EA	
NI	G4006382	WIRE ASSY (VGBQ-T SERIES) 30"	1	EA	
NI	G4006383	WIRE ASSY (VGBQ-T SERIES) 50"	1	EA	
NI	G4006378	WIRE ASSY (VGBQ-T SERIES) 25"	1	EA	
NI	G4006377	WIRE ASSY (VGBQ-T SERIES) 15"	1	EA	
NI	G4006376	WIRE ASSY (VGBQ-T SERIES) 10"	1	EA	
NI	G4006379	WIRE ASSY (VGBQ-T SERIES) 25"	1	EA	
NI	G4006380	WIRE ASSY (VGBQ-T SERIES) 15"	1	EA	
NI	G3205305	53" DRIP TRAY ASSY	1	EA	
NI	PD010043	5/16INCH SHOULDER BOLT (PHASE 2)	2	EA	

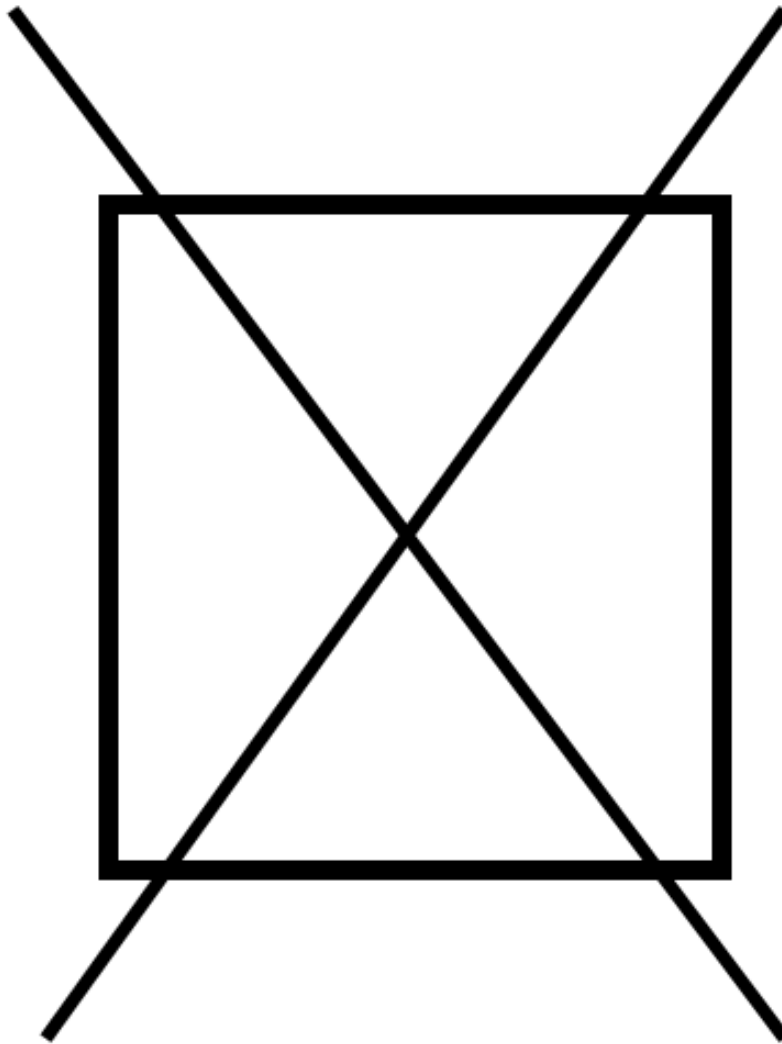




Item	Part No.	Name	Qty	Uom	NOTES
1	G4006383	WIRE ASSY (VGBQ-T SERIES) 50"	1	EA	
2	G4006378	WIRE ASSY (VGBQ-T SERIES) 25"	1	EA	
3	G4006376	WIRE ASSY (VGBQ-T SERIES) 10"	1	EA	
4	G4006380	WIRE ASSY (VGBQ-T SERIES) 15"	1	EA	

WIRING CONT.

NON  
ILLUSTRATED PART







Item	Part No.	Name	Qty	Uom	NOTES
1	G4006377	WIRE ASSY (VGBQ-T SERIES) 15"	1	EA	
2	G4006379	WIRE ASSY (VGBQ-T SERIES) 25"	1	EA	
3	G4006381	WIRE ASSY (VGBQ-T SERIES) 15"	1	EA	
4	G4006382	WIRE ASSY (VGBQ-T SERIES) 30"	1	EA	



Appendix A:Pages Index

BURNER-GRATE ASSEMBLY .....	1
CONTROL-VALVE ASSEMBLY .....	2
GRILL SUBASSEMBLY .....	3
WIRING .....	4
WIRING CONT. ....	5



Appendix B:Parts Index

000268-000	3	B2005324	1
000645-000	1	B2005347	3
000646-000	1	B2005390	3
002453-000	3	B2006305	3
003516-000	2	B2006340	3
003533-000	2	B2105290	1
003538-000	2	B3005292	3
003539-000	2	B3005293	3
003573-000	2	B3005313	3
008090-000	2	B3005325	1
008091-000	2	B3005326	1
023653-000	2	B9005297FG	3
027596-000	1	B9005297GG	3
032881-000	1	B9005297VB	3
046328-000	2	B9205319	2
046329-000	2	G3004936	2
050172-000	2	G3004937	2
B20010117	3	G3005214	3
B2004921	1	G3005215	3
B2005200	3	G3005234	3
B2005203	3	G3005289	2
B2005204	3	G3105387	3
B2005205	3	G3205282	1
B2005217	3	G3205303FG	3
B2005230	3	G3205303FGBR	3
B2005246	1	G3205303GG	3
B2005250	3	G3205303GGBR	3
B2005259	3	G3205303SS	3
B2005260	1	G3205303SSBR	3
B2005263	3	G3205303VB	3
B2005264	3	G3205303VBBR	3
B2005271	2	G3205305	3
B2005273	3	G4006376	3, 4
B2005278	1	G4006377	3, 5
B2005280	3	G4006378	3, 4
B2005297	3	G4006379	3, 5
B2005300	3	G4006380	3, 4
B2005309	3	G4006381	3, 5
B2005316	3	G4006382	3, 5
B2005317	3	G4006383	3, 4
		G50010140	2



G50010141	2	PB040122	2
G50010142	2	PB040146	2
G50010143	2	PB040235	2
G50010144	2	PB060053	1
G50010145	2	PB060055	3
G5005256	3	PB060056	3
G5005257	3	PC020025	1, 3
G5007416	1	PD010043	3
G5007971	3	PD010090	1
G5009726	1	PD020055	1, 3
G9105328	3	PD020069	3
G9105395	3	PD020082	1, 3
J2101749	3	PD030044	3
L1004882	3	PD030048	2
L1005398	3	PD030050	2
PA010088	2	PD040010	3
PA010097	2	PE010142	2
PA010126	2	PE010143	2
PA010151	2	PE030001PVD	3
PA020028	1	PE030040	3
PA020036	3	PE030044PVD	3
PA030002SS	1	PE050063	2
PA050068	2	PE070184	1
PA060051	1	PE070189	1
PA060052	1	PK010061	1
PA060053	1	PK010065	2
PA060068	1		
PA060069	1		
PA080050	1		
PA080051	1		
PA080052	1		
PA080053	1		
PB010162	2		
PB010163	2		
PB010192	3		
PB010209	2		
PB010212	3		
PB010337	3		
PB020096	2		
PB020114	2		
PB020115	2		