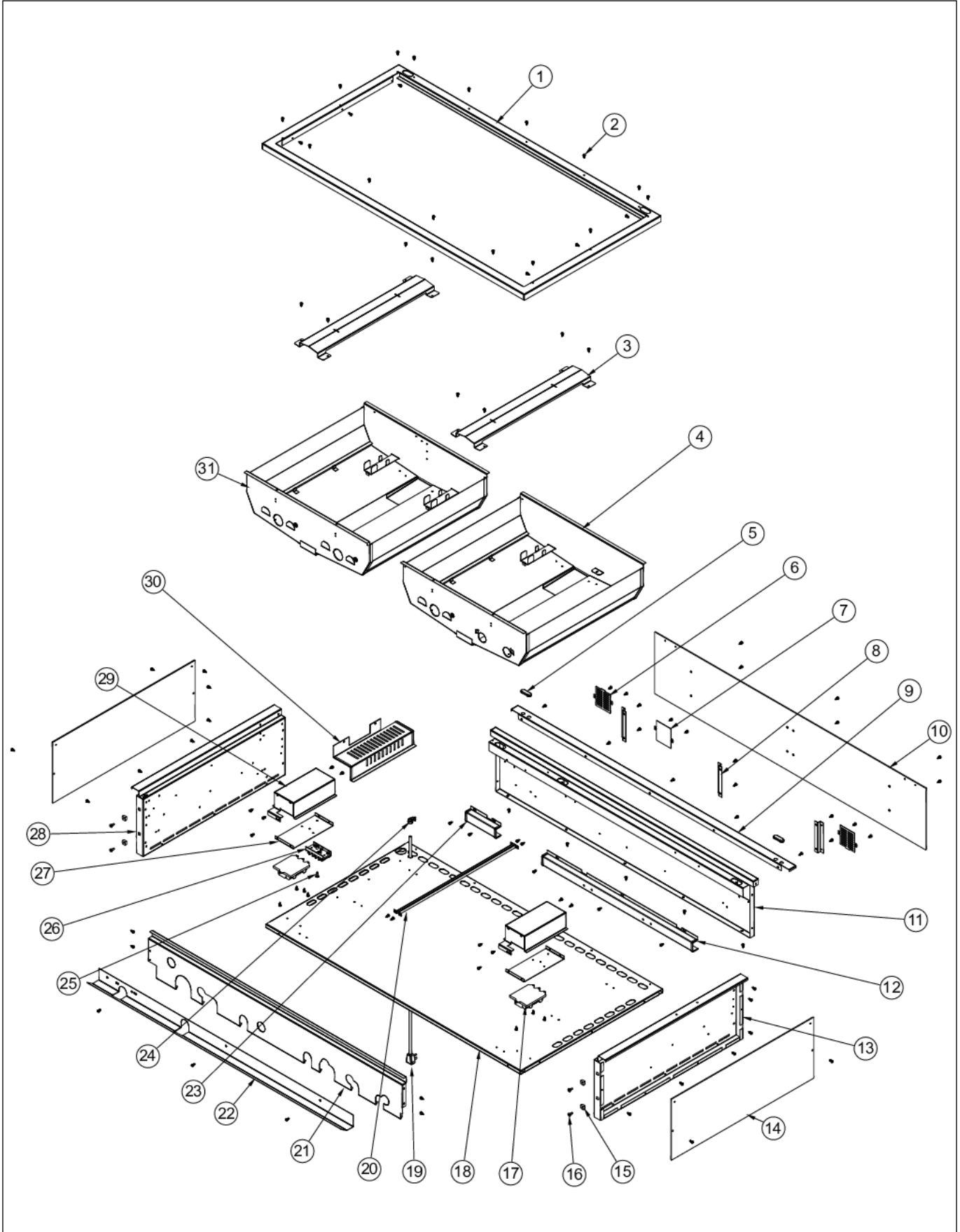


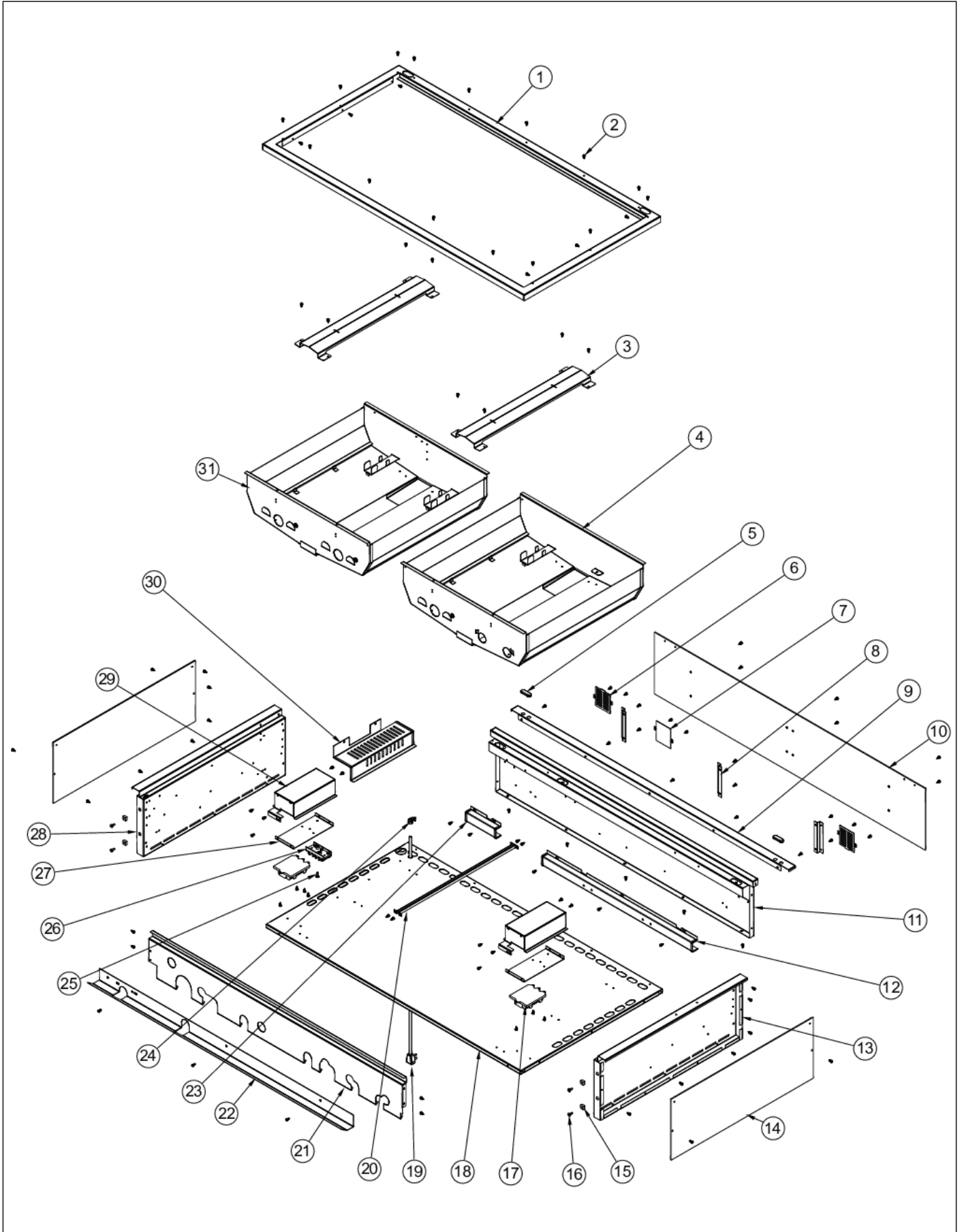
VGBQ5304RE1

BURNER BOX AREA	1
BURNER GRATE AREA	2
CANOPY AREA	3
CONTROL PANEL	4
DRIP TRAY	5
ROTISSERIE BURNER AREA	6
ROTISSERIE MOTOR ASSEMBLY	7
UPPER GRILLE AREA	8
WIRING	9
Appendix A:Pages Index	A
Appendix B:Parts Index	B

BURNER BOX AREA



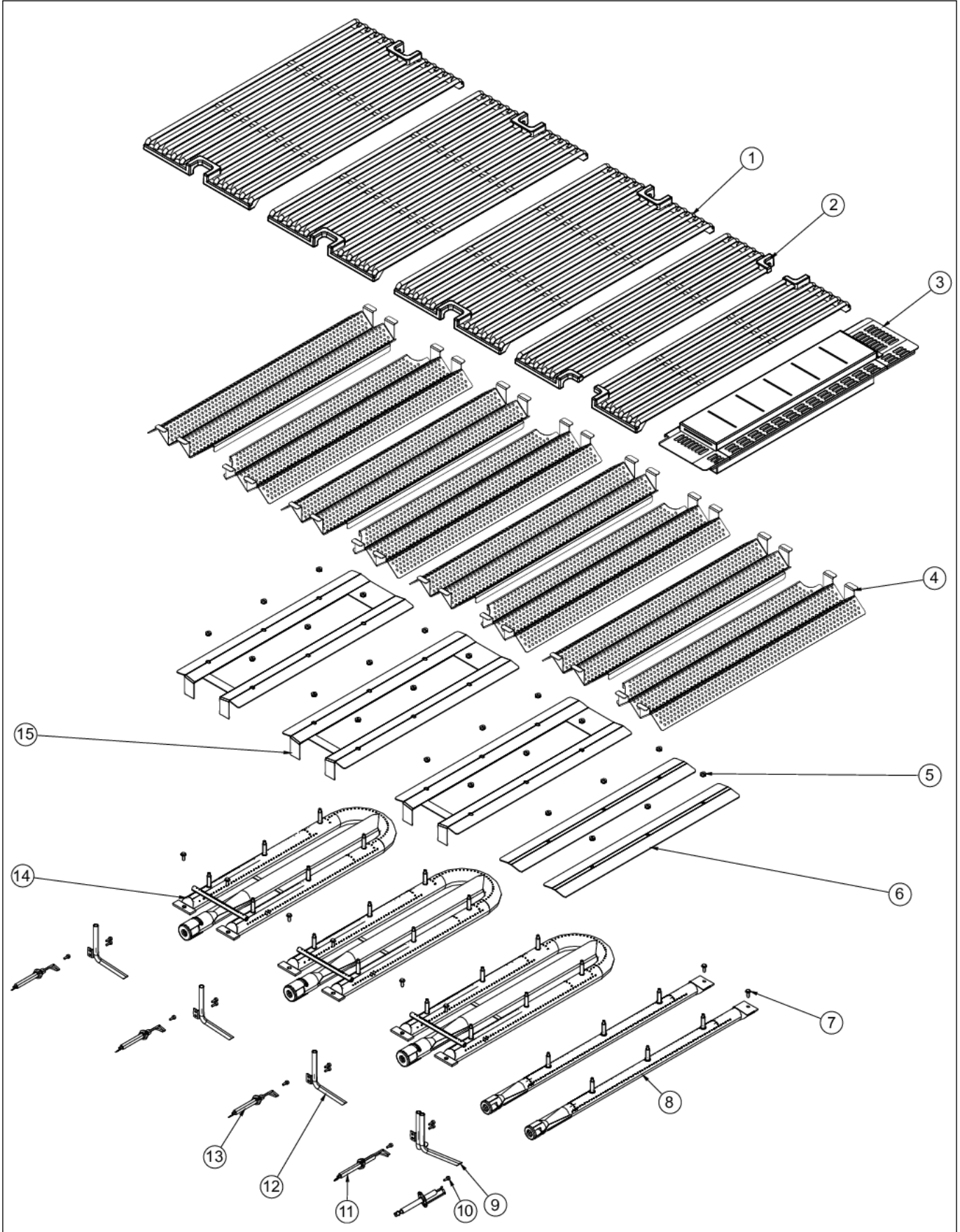
Item	Part No.	Name	Qty	Uom	NOTES
1	B20015514	GRILL FRAME 53" - NLA	1	EA	
2	PD020055	' #10 X 1/2" PAN PHIL. TEK.*SS*	106	EA	
3	B2005246	BURNER BOX SHIELD (PHASE 2)	2	EA	
4	008409-000	BURNER BOX, ASM, RH	1	EA	NOT FIELD REPLACEABLE, Not available online / Call for pricing and availability
Not Shown	NOTE	(NOT FIELD REPLACEABLE)		EA	
5	002671-000	RUBBER DOOR BUMPER	2	EA	
6	002353-000	GRILL PLUG VENT	2	EA	NO LONGER AVAILABLE, Not available online / Call for pricing and availability
7	002354-000	GRILL PLUG PLATE	1	EA	NO LONGER AVAILABLE, Not available online / Call for pricing and availability
8	B2006305	HEAT SHIELD BRACKET	3	EA	
9	003858-000	5304 GRILL REAR TRIM	1	EA	
10	L1004882	REAR HEAT SHIELD - 53"	1	EA	
11	B20015511	GRILL BOX BACK 53"	1	EA	
12	A20015410	GRILL WIRE CHANNEL - 53" REAR	1	EA	
13	B2005203	Grill Box Side - RH	1	EA	
14	L1005398	Side Heat Shield	2	EA	
15	PD030050	10-24 CAGE NUT *SS*	4	EA	
16	PD020056	' #10-24 X 1/2" PH.TR. M.S. *SS*	4	EA	
17	PA020047	INVENSYS 0+4 RE-IGNITION SPARK MODULE	2	EA	
18	B20015508	GRILL BOX BOTTOM 53"	1	EA	
19	PE070791	GRILL POWER SUPPLY CORD (8 FT)	1	EA	
20	B2005244	BURNER BOX CENTER TRIM	1	EA	
21	008506-000	GRILL, SUPPORT, FRONT	1	EA	
22	B20015540	53" GRILL GUTTER	1	EA	





Item	Part No.	Name	Qty	Uom	NOTES
23	A20015412	GRILL WIRE CHANNEL - 42" SHORT	1	EA	
24	PD040044	SNAP THRU BUSHING 1/4"DIA CORD	1	EA	
25	PD020014	10X3/4 PH TR HD SMS	1	EA	
26	PE070855	E SERIES TERMINAL BLOCK	1	EA	
27	B20015568	0+4 SM/TB HOUSING BTM	2	EA	
28	B2005204	Grill Box Side - LH	1	EA	
29	B30015552	0+4 SPARK MODULE TERMINAL HOUSING	2	EA	
30	004089-000	POWER CORD SHIELD	1	EA	
31	008505-000	GRILL, BOX, ASM	1	EA	NOT FIELD REPLACEABLE
Not Shown	NOTE	(NOT FIELD REPLACEABLE)		EA	

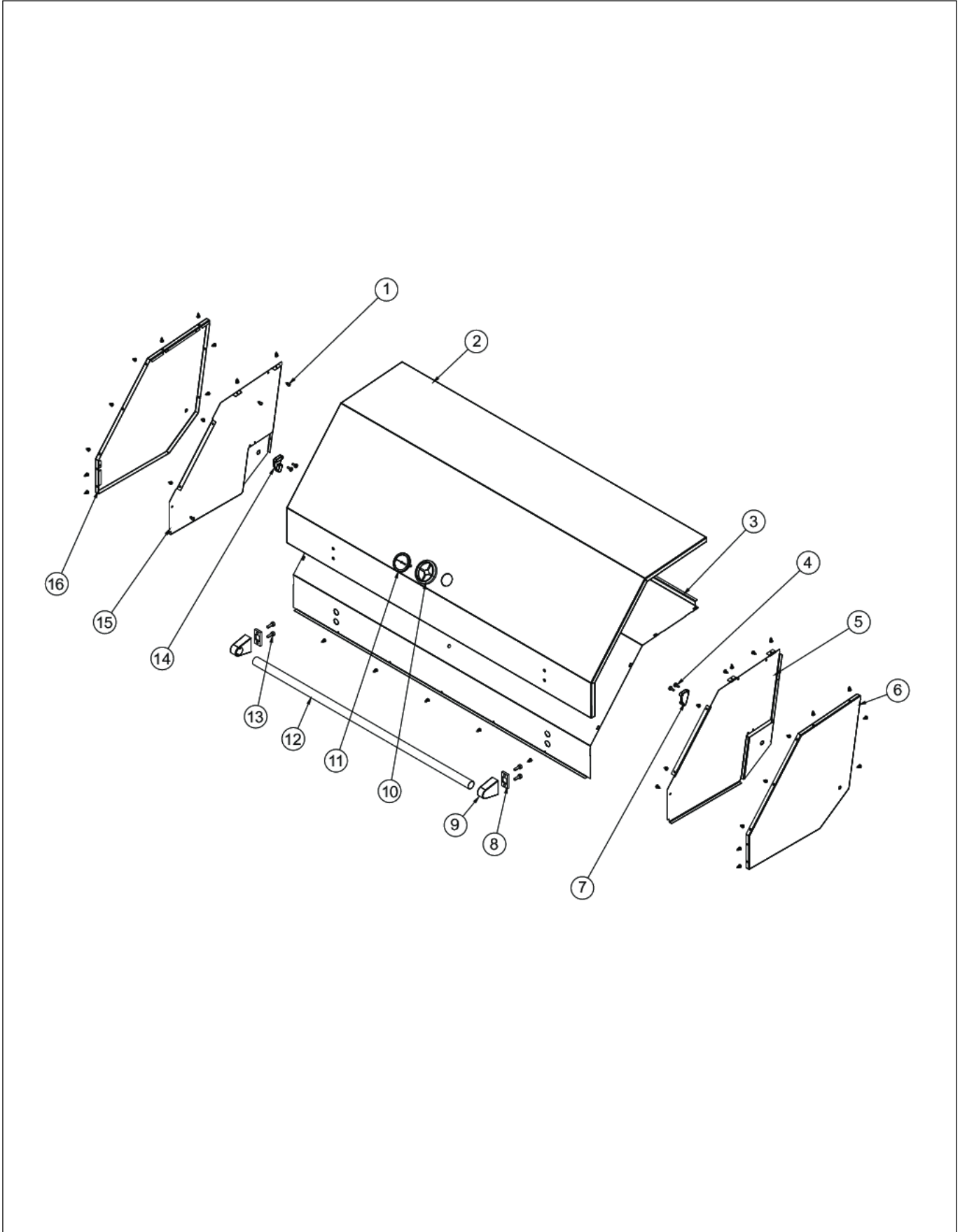
BURNER GRATE AREA





Item	Part No.	Name	Qty	Uom	NOTES
1	002369-000	REDESIGN BBQ GRATE - FULL	3	EA	
2	002370-000	REDESIGN BBQ GRATE - HALF	2	EA	
3	027596-000	BOX, SMOKER ASM	1	EA	
4	PK010061	1/2 Flavor Grid	8	EA	
5	PD030044	10-24 KEPS NUT *SS*	24	EA	
6	006757-000	SMOKER DRIP SHIELD	2	EA	
7	PD020048	NO.10 X 1/2 TEK 410 SS SCREW	8	EA	
8	PA080051	Smoker Burner	2	EA	
9	PB020115	SMOKER FLASH TUBE	1	EA	
10	020041-000	SCR, DR, PH, PNH, 410 SS, NPLT, 6-20 x 3/8	13	EA	
11	008091-000	PB040288 IGNITOR KIT	2	EA	
12	PB020114	FLASH TUBE (VGBQ3002T)	3	EA	
13	008090-000	PB040287 IGNITOR KIT	3	EA	
14	004276-000	OUTDOOR GRILL U-BURNER	3	EA	
15	007676-000	DRIP SHIELD, U	3	EA	

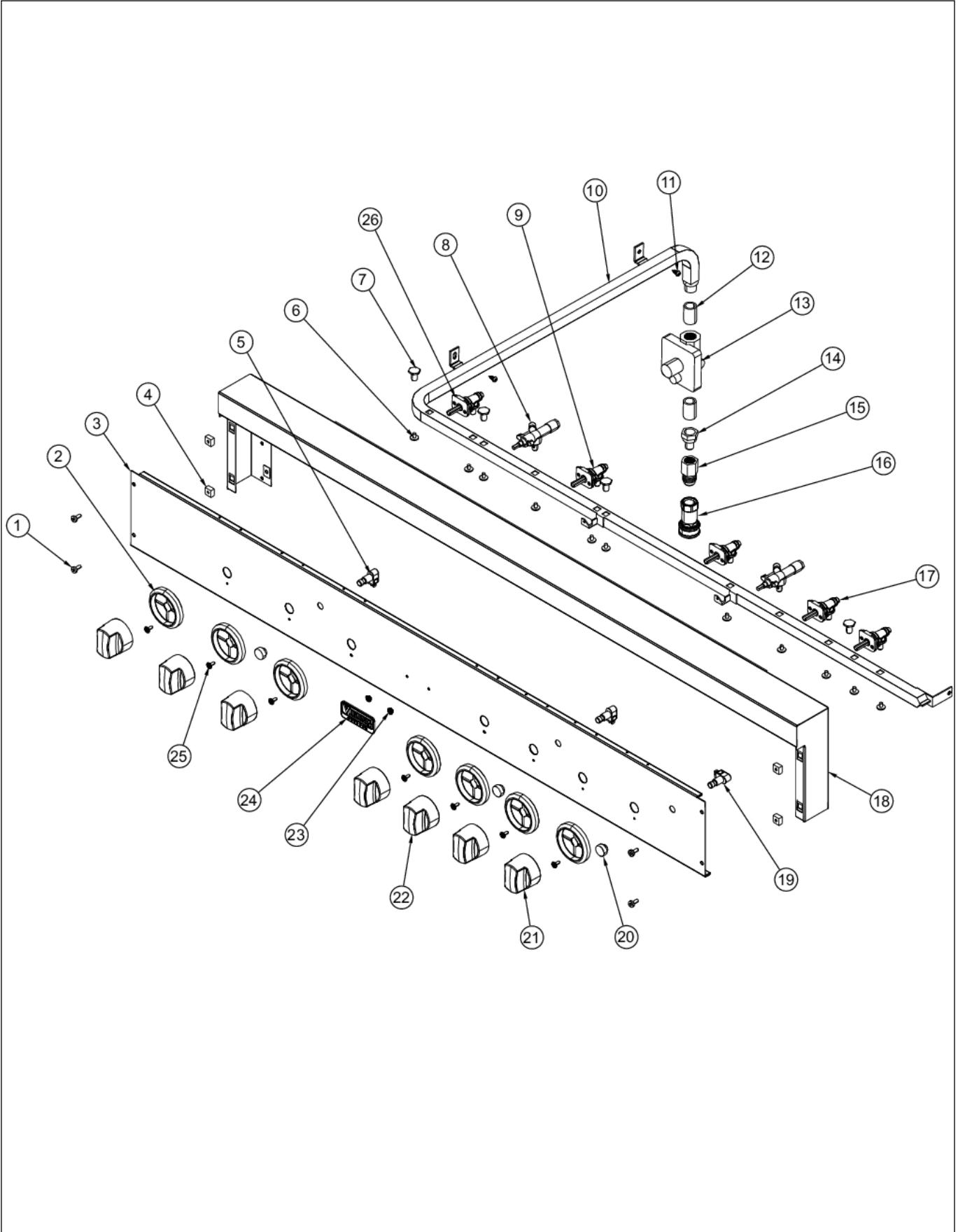
CANOPY AREA



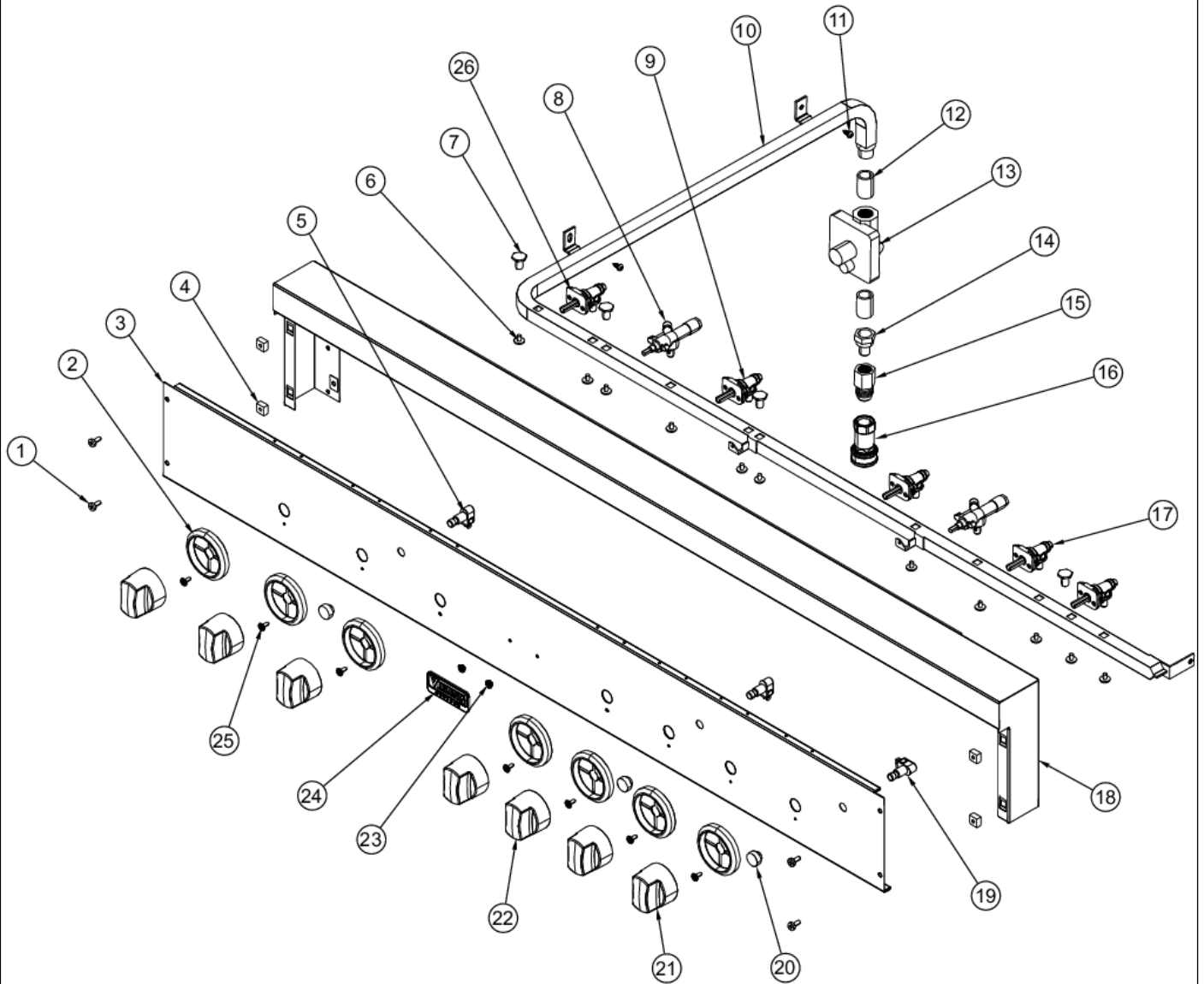


Item	Part No.	Name	Qty	Uom	NOTES
1	PD020055	' #10 X 1/2" PAN PHIL. TEK.*SS*	37	EA	
2	003638-000	53" CANOPY	1	EA	
3	003639-000	53" CANOPY HEAT SHIELD	1	EA	
4	PD020056	' #10-24 X 1/2" PH.TR. M.S. *SS*	4	EA	
5	007379-000	GRILL CANOPY INSIDE RH	1	EA	Not available online / Call for pricing and availability
6	003630-000	GRILL CANOPY OUTSIDE RH	1	EA	
7	007215-000	CANOPY SPRING END MOUNT- RH	1	EA	
8	PD040010	DOOR HANDLE SPACER	2	EA	
9	000268-000	HANDLE ENDCAP	2	EA	
10	003366-000	THERMOSTAT BEZEL	1	EA	
11	028678-000	GRILL THERMOMETER	1	EA	
12	PE030173	304 S.S HANDLE	1	EA	
13	PD020069	CAP SCREW 1/4-20 X 3/4 SS	4	EA	
14	005941-000	CANOPY SPRING END MOUNT- LH	1	EA	
15	003633-000	GRILL CANOPY INSIDE LH	1	EA	
16	003632-000	GRILL CANOPY OUTSIDE LH	1	EA	Not available online / Call for pricing and availability

CONTROL PANEL



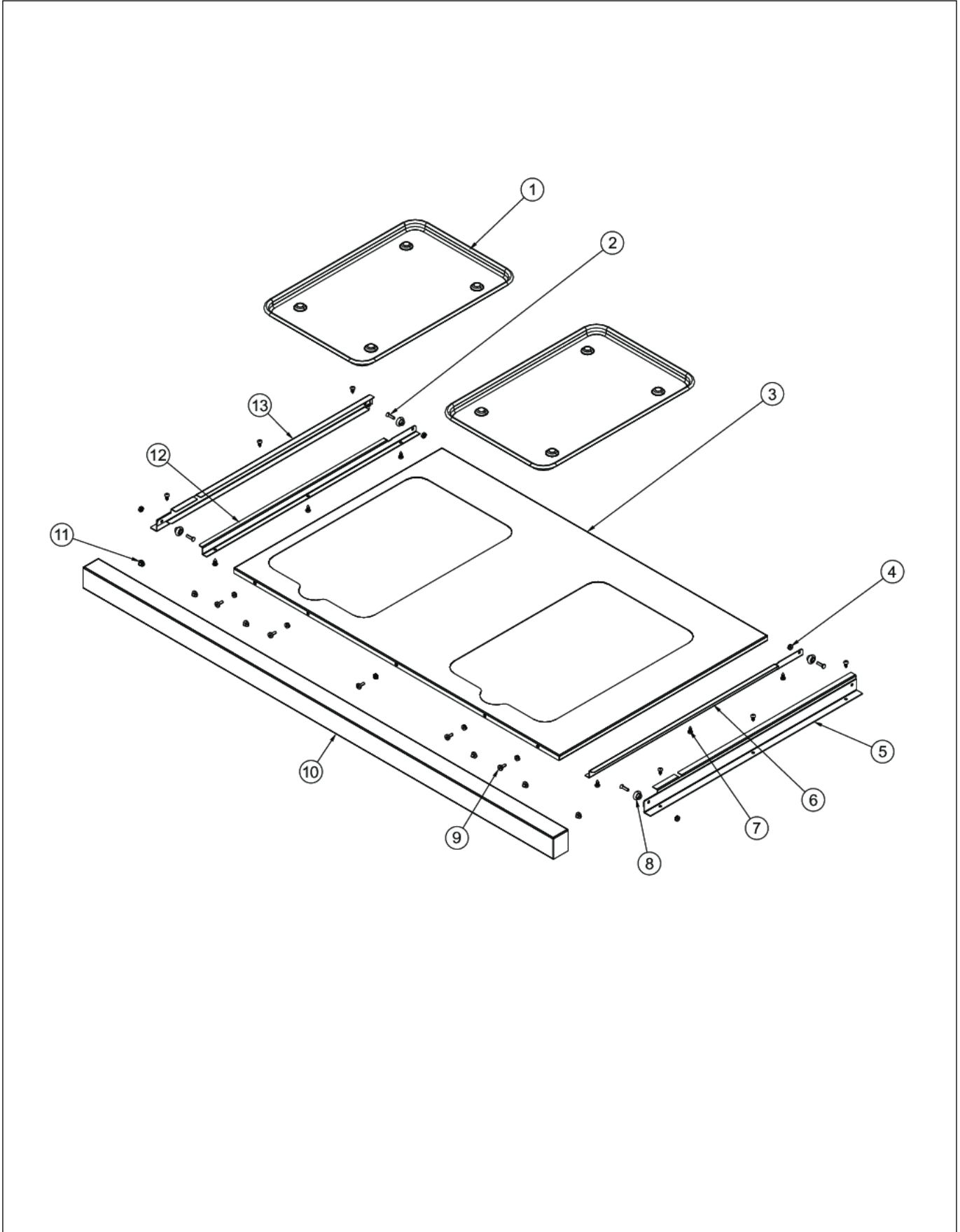
Item	Part No.	Name	Qty	Uom	NOTES
1	PD020056	' #10-24 X 1/2" PH.TR. M.S. *SS*	4	EA	
2	050172-000	BEZEL, KNOB	7	EA	
3	006064-000	VGBQ5304RE1 CONTROL PANEL	1	EA	
4	PD030050	10-24 CAGE NUT *SS*	4	EA	
5	PE050063	SPARKER SWITCH (PHASE 2)	2	EA	
6	PD010012	1/4 x 3/8 VALVE BOLT	11	EA	
7	002884-000	MANIFOLD PLUG	4	EA	
8	046328-000	NATURAL ROTIS VALVE - KNOB KIT	2	EA	
8	046329-000	LP ROTIS VALVE - KNOB KIT	2	EA	
9	006388-000	GAS VALVE - NAT.	3	EA	
9	006389-000	GAS VALVE - LP	3	EA	
10	PA050068	PHASE2 53" MANIFOLD	1	EA	
11	PD020055	' #10 X 1/2" PAN PHIL. TEK.*SS*	2	EA	
12	PB040046	1/2" CLOSE NIPPLE	2	EA	
13	PA070006	PRESSURE REG.(NAT.)-4"-FOR BBQ GRIL - NLA	1	EA	
13	PA070005	PRESSURE REG.(LP) RV47L- 77-10.0	1	EA	
14	PB040235	1/2"NPT TO 3/8" FLARE COUPLING	1	EA	
15	PB020239	7/8 FLARE TO 1/2 FEMALE CONNECTOR	1	EA	
16	023653-000	Nipple-Coupler Assy	1	EA	
17	006390-000	GAS VALVE - NAT.	2	EA	
17	006391-000	GAS VALVE - LP	2	EA	
18	G3005221	LANDING LEDGE ASSY - 53	1	EA	
19	PE050019	OVEN LIGHT SWITCH (VGSO166) 90-DEG.	1	EA	
20	PB010163	OVEN LIGHT SWITCH KNOB *BK* (VESO/D	3	EA	
21	003563-000	ROTIS BURNER KNOB	2	EA	
22	003561-000	OUTDOOR GRILL KNOB	5	EA	
23	PD030006	CAPPED WASHER PAL NUT	2	EA	
24	015009-000	OUTDOOR LOGO - 3" CHROME	1	EA	





Item	Part No.	Name	Qty	Uom	NOTES
24	015009-100	OUTDOOR LOGO - 3" BRASS	1	EA	
25	PD020046	' #8 X 1/2 SCREWS	7	EA	
26	PA020045	Spark Ignition Switch	5	EA	

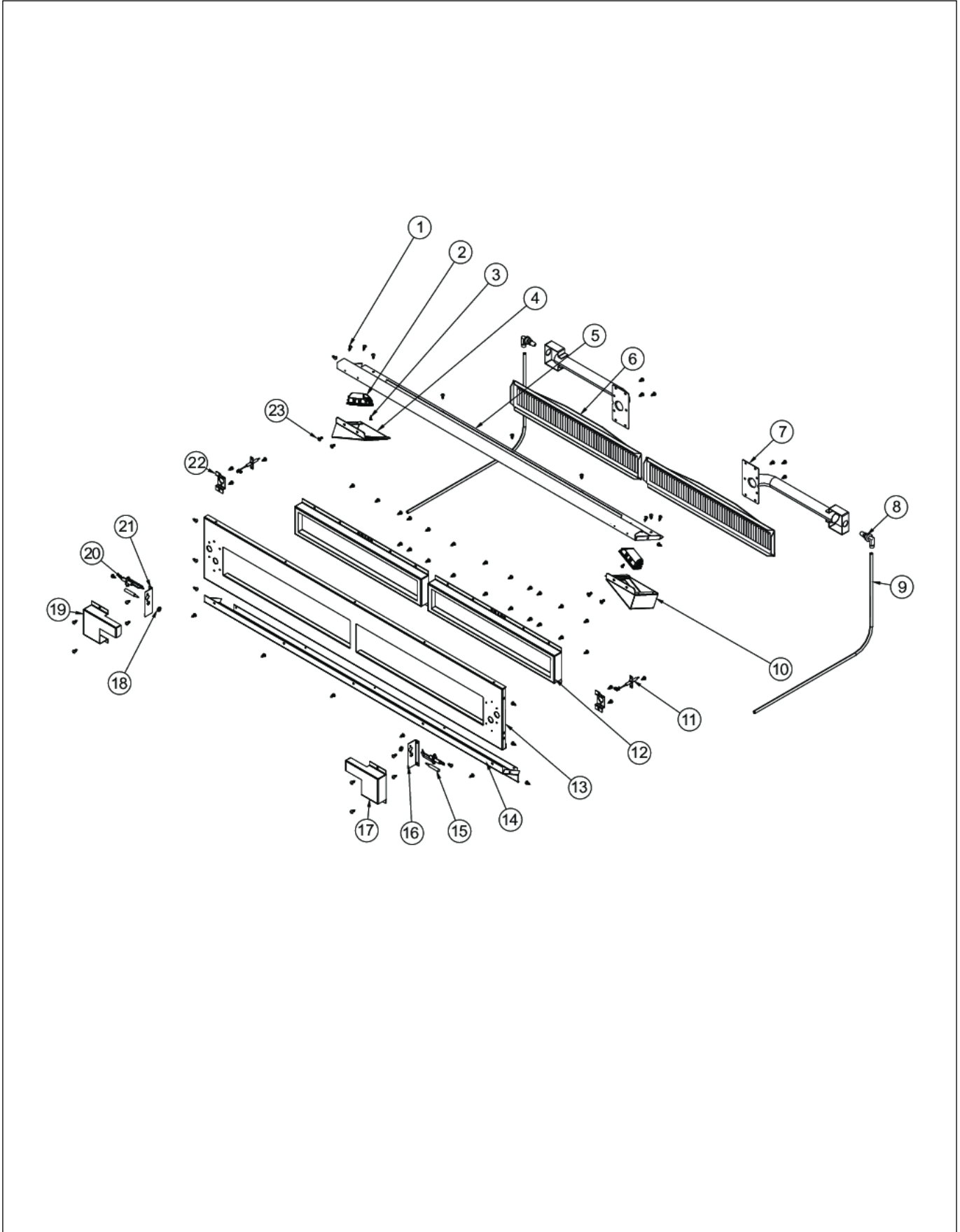
DRIP TRAY





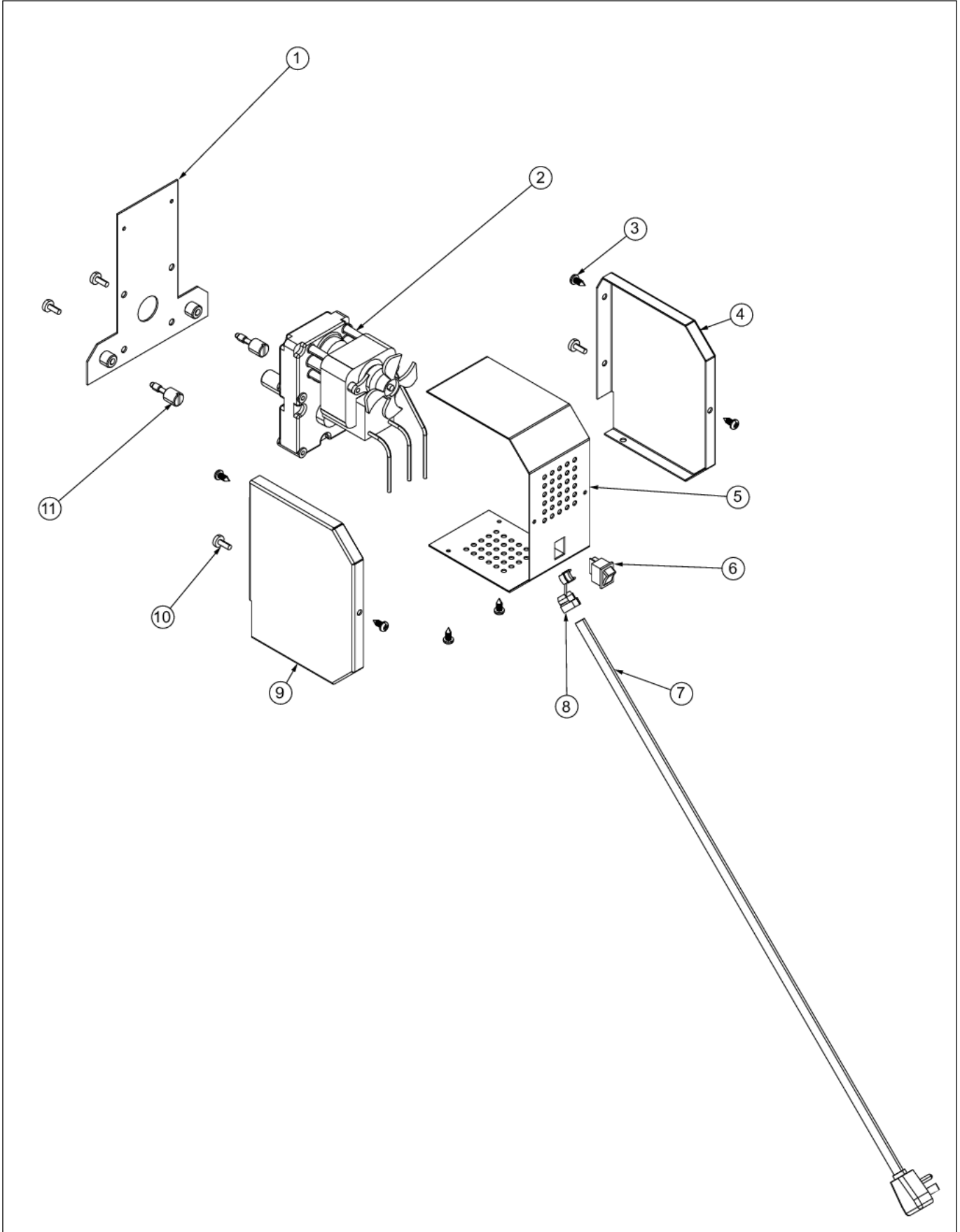
Item	Part No.	Name	Qty	Uom	NOTES
1	J2101749	GREASE PAN	2	EA	
2	PD020082	10 X 24 COUNTERSUNK S.S. SCREW	4	EA	
3	B2005309	DRIP TRAY 41	1	EA	
4	PD030044	10-24 KEPS NUT *SS*	10	EA	
5	G3005215	DRIP TRAY SLIDE - RH	1	EA	
6	B2005316	DRIP TRAY RUNNER RH	1	EA	
7	PD020055	' #10 X 1/2" PAN PHIL. TEK.*SS*	12	EA	
8	PC020025	DRIP TRAY WHEEL	4	EA	
9	PD020056	' #10-24 X 1/2" PH.TR. M.S. *SS*	5	EA	
10	B3005313	53" DRIP TRAY HANDLE	1	EA	
11	PD040004	GROMMET BUMPER	6	EA	
12	B2005317	DRIP TRAY RUNNER LH (PHASE 2)	1	EA	
13	G3005214	DRIP TRAY SLIDE - LH	1	EA	

ROTISSERIE BURNER AREA



Item	Part No.	Name	Qty	Uom	NOTES
1	PD020055	' #10 X 1/2" PAN PHIL. TEK.*SS*	66	EA	
2	001310-000	120V HALOGEN LIGHT	2	EA	
3	020041-000	SCR, DR, PH, PNH, 410 SS, NPLT, 6-20 x 3/8	2	EA	
4	000602-000	GRILL LIGHT HOUSING LH	1	EA	
5	G91015561	53" FRONT HOUSING WELD ASSEMBLY	1	EA	
6	G3005289	I/R Burner Assy	2	EA	
7	PB050060	I/R VENTURI (PHASE 2 BBQ)	2	EA	
8	PB040124	90 DEG. ORIFICE FITTING	2	EA	
8	PB040125	ORIFICE FTG 90D 20"IR #57 HD YELLOW	2	EA	
9	PB020096	48" 5/16 S.S. FLEX TUBING REPL F2003505	2	EA	
10	000603-000	GRILL LIGHT HOUSING RH	1	EA	
11	PB040280	FLEXIBLE ROTISSERIE IGNITOR	2	EA	
12	B2005347	I/R Frame	2	EA	
13	G91015546	53" FRONT HOUSING WELD ASSY	1	EA	
14	E9107203	FRONT HOUSING 53	1	EA	NOT FIELD REPLACEABLE
15	042576-000	THERMOCOUPLE	2	EA	
16	B20015518	IR IGNITOR BRACKET 53"	1	EA	
17	B20015521	53" RH ROTISSERIE IGNITOR COVER	1	EA	
18	PD030048	THERMOCOUPLE NUT M08- VGBQ-8743300007	2	EA	
19	B20015402	I/R IGNITOR COVER LH	1	EA	
20	PB040160	WOK IGNITER	2	EA	
21	B20015403	IR IGNITOR BRACKET	1	EA	
22	B20015401	FLEX IGNITER STAND OFF	2	EA	Not available online / Call for pricing and availability
23	PD020073	SRW #10 X 24 X 3/8 WAFER HD TYPE23	4	EA	

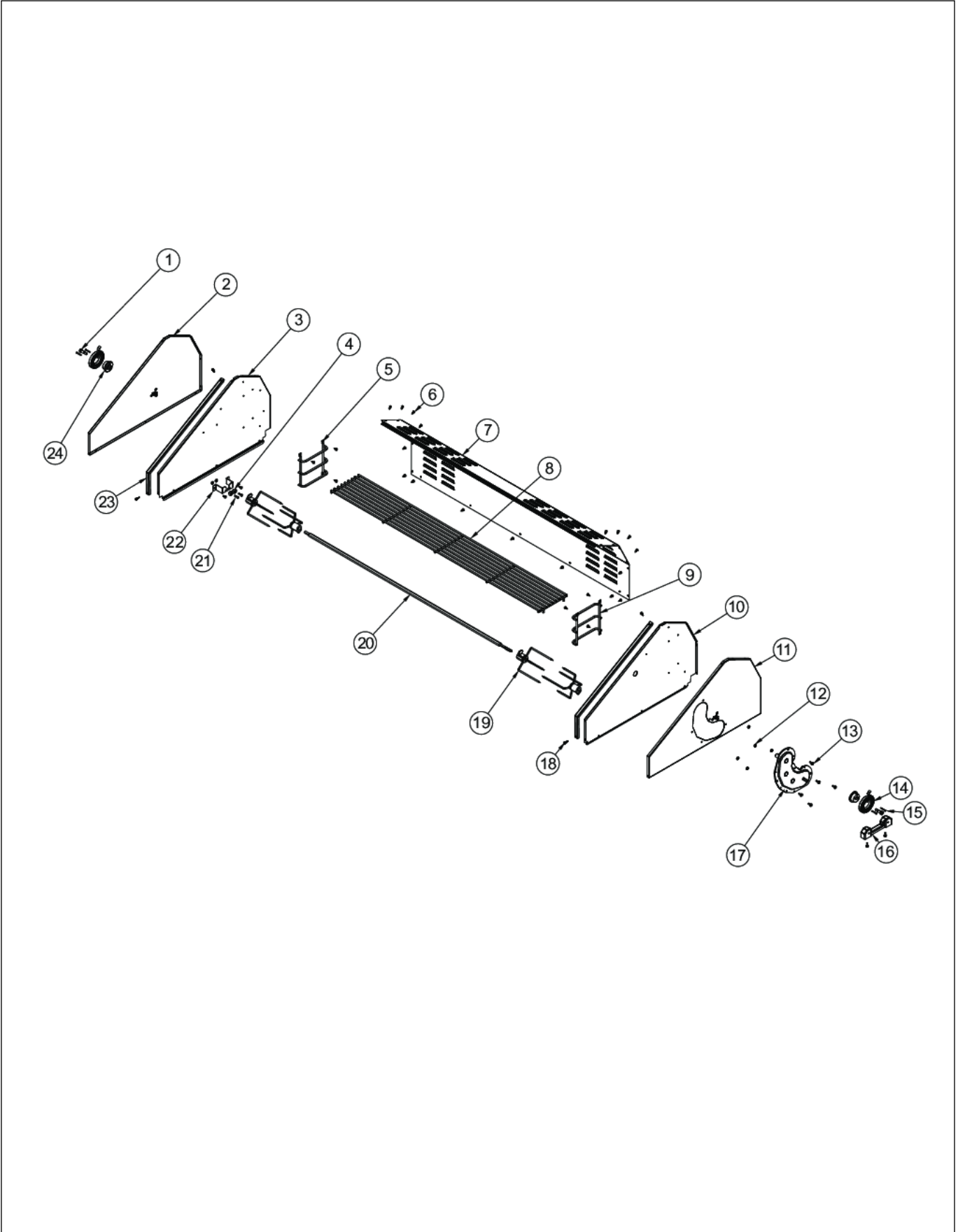
ROTISSERIE MOTOR ASSEMBLY





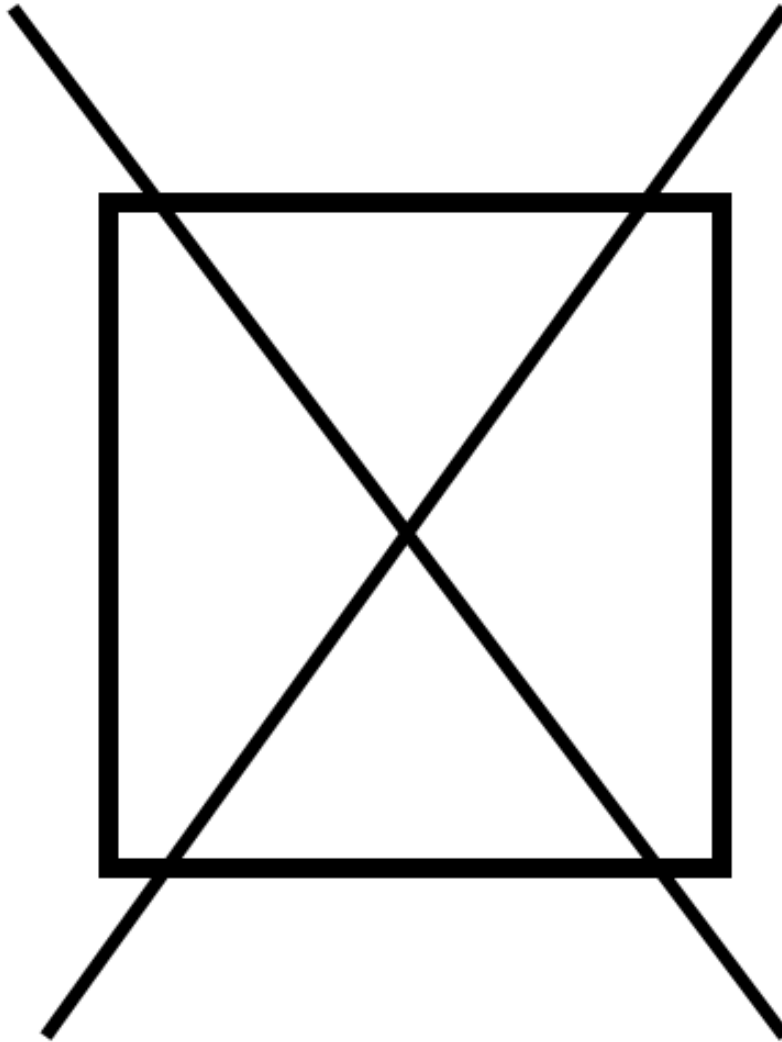
Item	Part No.	Name	Qty	Uom	NOTES
1	002081-000	ROT MOTOR MOUNTING PLATE ASSY	1	EA	
2	PE070184	ROTISSERIE MOTOR	1	EA	
3	PD020055	' #10 X 1/2" PAN PHIL. TEK.*SS*	6	EA	
4	B2005285	PHASE II ROTIS BOX FRONT	1	EA	
5	B2005286	PHASE II ROTIS COVER	1	EA	
6	PE050051	ROTISSERIE SWITCH	1	EA	
7	PE070189	ELECTRICAL SUPPLY CORD - BBQ GRILL	1	EA	
8	PD040044	SNAP THRU BUSHING 1/4"DIA CORD	1	EA	
9	B2005284	PHASE II ROTIS BOX FRONT	1	EA	
10	PD020056	' #10-24 X 1/2" PH.TR. M.S. *SS*	4	EA	
11	PD010090	ROTISSERIE FASTENER KNOB	2	EA	

UPPER GRILLE AREA



Item	Part No.	Name	Qty	Uom	NOTES
1	PD010043	5/16INCH SHOULDER BOLT (PHASE 2)	2	EA	
2	G5005257	O/S Windshield Assy - LH	1	EA	
3	B20015419	INSIDE WINDSHIELD LH	1	EA	Not available online / Call for pricing and availability
4	PC020025	DRIP TRAY WHEEL	2	EA	
5	PB060113	WARMING RACK SUPPORT LH	1	EA	
6	PD020055	' #10 X 1/2" PAN PHIL. TEK.*SS*	25	EA	
7	003654-000	53" GRILL REAR COVER	1	EA	Not available online / Call for pricing and availability
8	PB060050	WARMING RACK 53" FULL	1	EA	
9	PB060112	WARMING RACK SUPPORT RH	1	EA	
10	B20015418	INSIDE WINDSHIELD RH	1	EA	Not available online / Call for pricing and availability
11	G5005256	O/S Windshield Assy - RH	1	EA	Not available online / Call for pricing and availability
12	PD030044	10-24 KEPS NUT *SS*	7	EA	
13	PD020056	' #10-24 X 1/2" PH.TR. M.S. *SS*	7	EA	
14	007257-000	CANOPY, SPRING, ASSIST- 53"	2	EA	
15	006779-000	#6-32 x 1.0 SS FLAT HD SCREW	4	EA	
16	PB060055	Rotis. Mount Casting	1	EA	
17	PC070024	ROTIS. GEAR BOX ASSY	1	EA	
18	PD020082	10 X 24 COUNTERSUNK S.S. SCREW	4	EA	
19	032881-000	FORK, RTSR	4	EA	
20	PB060052	ROTIS SPIT ROD 53"	1	EA	
21	PD020082	10 X 24 COUNTERSUNK S.S. SCREW	2	EA	
22	B2005278	ROTISSERIE ROLLER BRACKET (PHASE 2)	1	EA	
23	B20015574	GRILL WINDSHIELD TRIM	2	EA	
24	005942-000	SPRING INDEX	2	EA	

NON ILLUSTRATED PART





Item	Part No.	Name	Qty	Uom	NOTES
NI	G4006379	WIRE ASSY (VGBQ-T SERIES) 25"	2	EA	
NI	G40016227	IGNITOR WIRE 18"	2	EA	
NI	G40016229	IGNITOR WIRE 34"	1	EA	
NI	025323-000	HARNESS, WIRE, ROTISSERIE	2	EA	
NI	006385-000	53" WIRE ASSEMBLY	1	EA	
NI	PE070813	WIRE HARNESS (VGBQ5304RE)	1	EA	



Appendix A:Pages Index

BURNER BOX AREA 1
BURNER GRATE AREA 2
CANOPY AREA 3
CONTROL PANEL 4
DRIP TRAY 5
ROTISSERIE BURNER AREA 6
ROTISSERIE MOTOR ASSEMBLY 7
UPPER GRILLE AREA 8
WIRING 9



Appendix B:Parts Index

000268-000	3	008505-000	1
000602-000	6	008506-000	1
000603-000	6	015009-000	4
001310-000	6	015009-100	4
002081-000	7	020041-000	2, 6
002353-000	1	023653-000	4
002354-000	1	025323-000	9
002369-000	2	027596-000	2
002370-000	2	028678-000	3
002671-000	1	032881-000	8
002884-000	4	042576-000	6
003366-000	3	046328-000	4
003561-000	4	046329-000	4
003563-000	4	050172-000	4
003630-000	3	A20015410	1
003632-000	3	A20015412	1
003633-000	3	B20015401	6
003638-000	3	B20015402	6
003639-000	3	B20015403	6
003654-000	8	B20015418	8
003858-000	1	B20015419	8
004089-000	1	B20015508	1
004276-000	2	B20015511	1
005941-000	3	B20015514	1
005942-000	8	B20015518	6
006064-000	4	B20015521	6
006385-000	9	B20015540	1
006388-000	4	B20015568	1
006389-000	4	B20015574	8
006390-000	4	B2005203	1
006391-000	4	B2005204	1
006757-000	2	B2005244	1
006779-000	8	B2005246	1
007215-000	3	B2005278	8
007257-000	8	B2005284	7
007379-000	3	B2005285	7
007676-000	2	B2005286	7
008090-000	2	B2005309	5
008091-000	2	B2005316	5
008409-000	1	B2005317	5
		B2005347	6



B2006305	1	PC020025	5, 8
B30015552	1	PC070024	8
B3005313	5	PD010012	4
E9107203	6	PD010043	8
G3005214	5	PD010090	7
G3005215	5	PD020014	1
G3005221	4	PD020046	4
G3005289	6	PD020048	2
G40016227	9	PD020055	1, 3, 4, 5, 6, 7, 8
G40016229	9	PD020056	1, 3, 4, 5, 7, 8
G4006379	9	PD020069	3
G5005256	8	PD020073	6
G5005257	8	PD020082	5, 8, 8
G91015546	6	PD030006	4
G91015561	6	PD030044	2, 5, 8
J2101749	5	PD030048	6
L1004882	1	PD030050	1, 4
L1005398	1	PD040004	5
PA020045	4	PD040010	3
PA020047	1	PD040044	1, 7
PA050068	4	PE030173	3
PA070005	4	PE050019	4
PA070006	4	PE050051	7
PA080051	2	PE050063	4
PB010163	4	PE070184	7
PB020096	6	PE070189	7
PB020114	2	PE070791	1
PB020115	2	PE070813	9
PB020239	4	PE070855	1
PB040046	4	PK010061	2
PB040124	6		
PB040125	6		
PB040160	6		
PB040235	4		
PB040280	6		
PB050060	6		
PB060050	8		
PB060052	8		
PB060055	8		
PB060112	8		
PB060113	8		