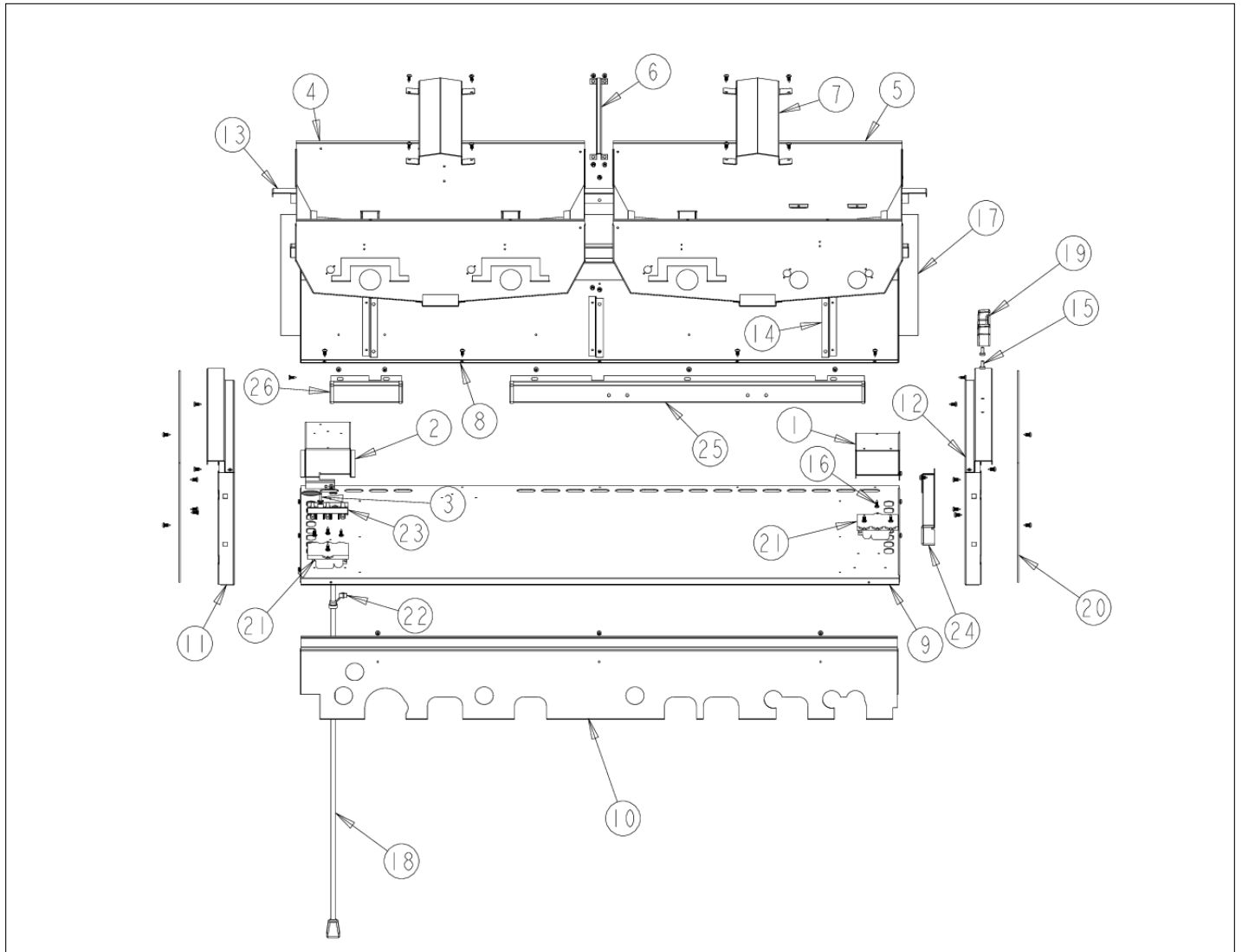


VGBQ5304RE

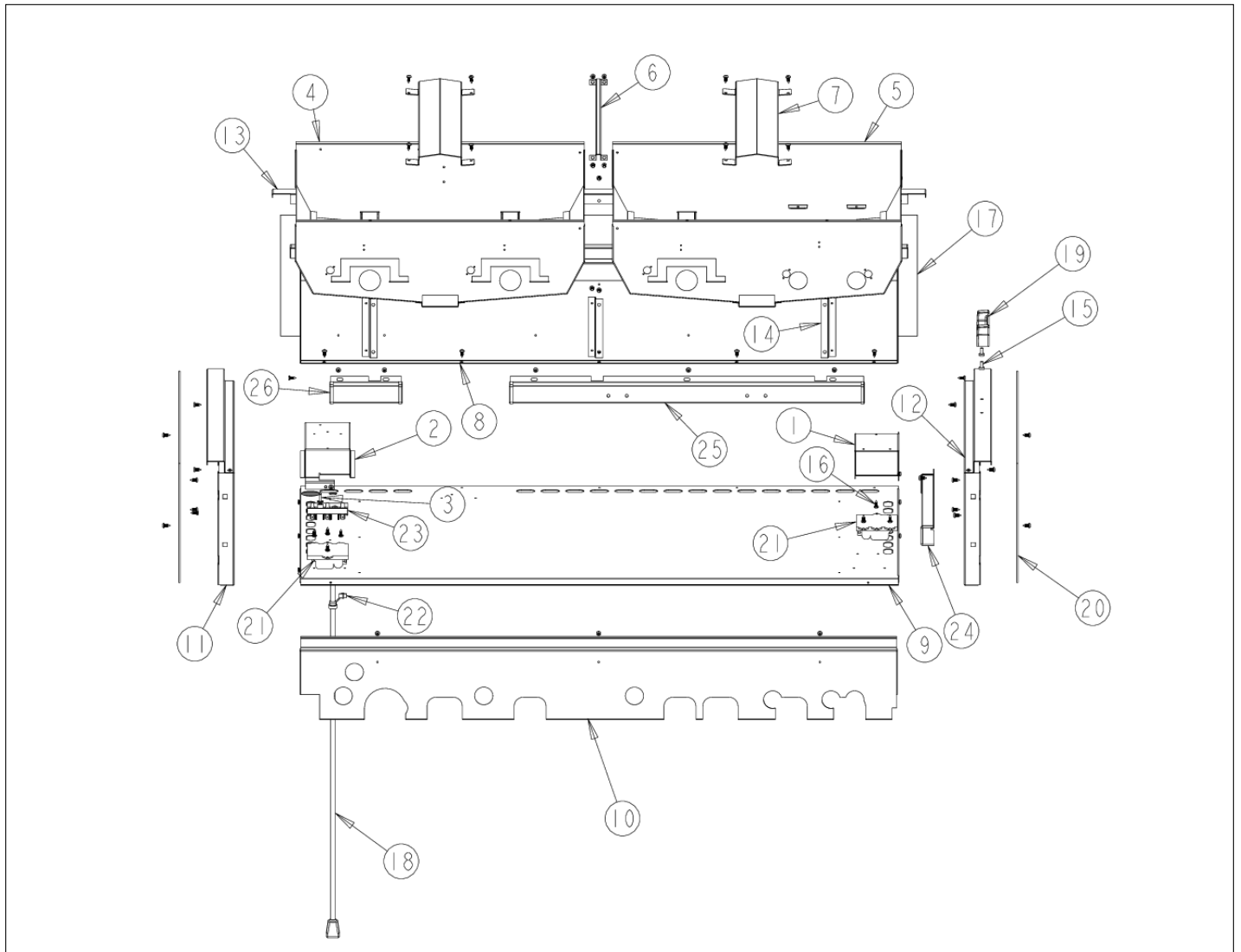
BURNER BOX AREA	1
BURNER GRATE AREA	2
CANOPY ASSEMBLY	3
CONTROL AREA	4
DRIP TRAY	5
LP REGULATOR ASSEMBLY	6
NATURAL GAS REGULATOR ASSEMBLY	7
ROTISSERIE BURNER AREA	8
ROTISSERIE MOTOR ASSEMBLY	9
UPPER GRILL AREA	10
WIRNG	11
Appendix A:Pages Index	A
Appendix B:Parts Index	B

BURNER BOX AREA





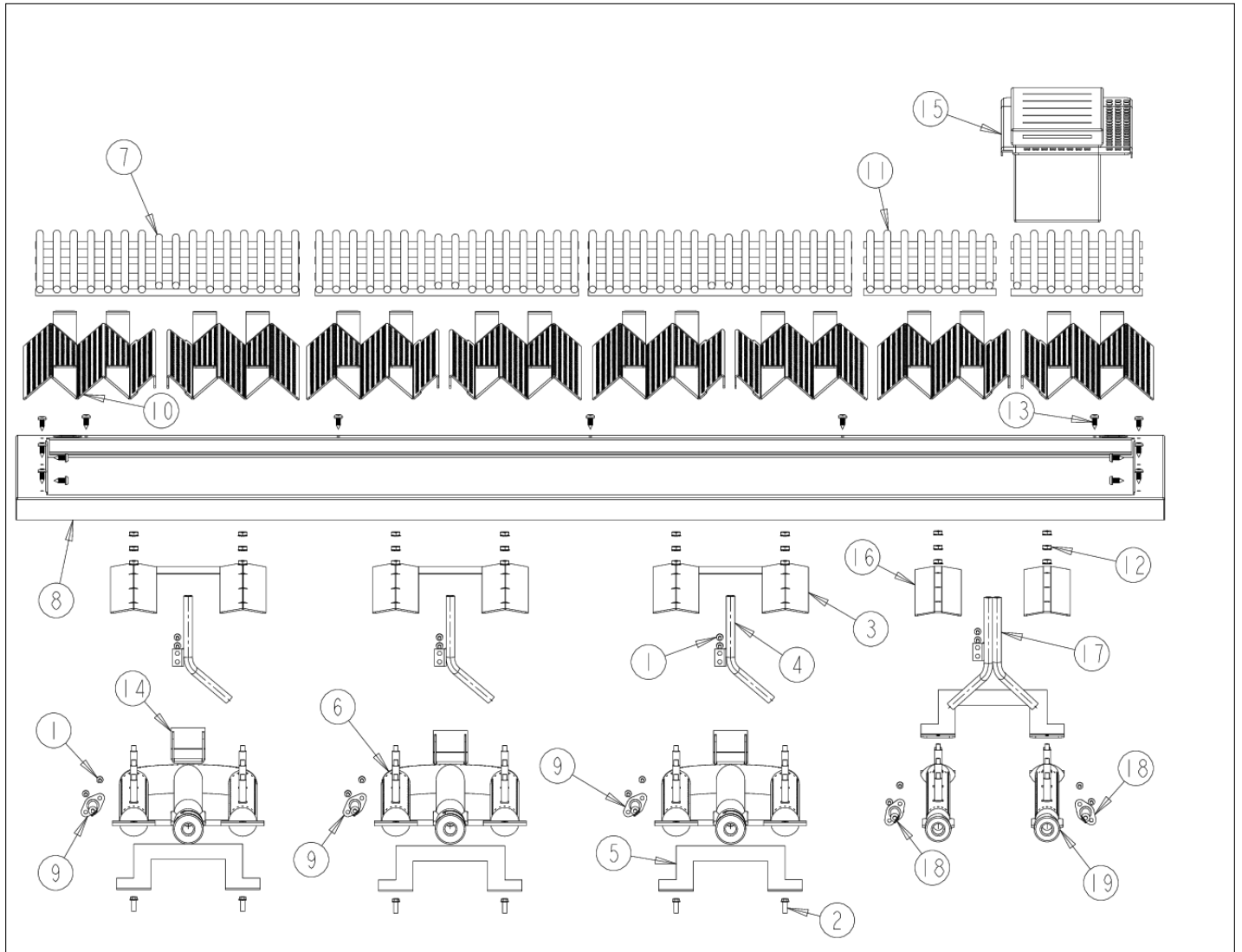
Item	Part No.	Name	Qty	Uom	NOTES
1	B30015551	0+4 SPARK MODULE HOUSING	1	EA	
2	B30015552	0+4 SPARK MODULE TERMINAL HOUSING	1	EA	
3	PD020014	10X3/4 PH TR HD SMS	1	EA	
4	G3005233	BURNER BOX ASSY 53 LH (PHASE 2)	1	EA	
5	G3005232	BURNER BOX ASSY 53RH (PHASE 2)	1	EA	
6	B2005244	BURNER BOX CENTER TRIM	1	EA	
7	B2005246	BURNER BOX SHIELD (PHASE 2)	1	EA	
8	B20015511	GRILL BOX BACK 53"	1	EA	
9	B20015508	GRILL BOX BOTTOM 53"	1	EA	
10	B2007826	GRILL BOX FRONT	1	EA	NO LONGER AVAILABLE
11	B2005204	Grill Box Side - LH	1	EA	
12	B2005203	Grill Box Side - RH	1	EA	
13	B20010117	GRILL BOX TRIM - 53	1	EA	
14	B2006305	HEAT SHIELD BRACKET	1	EA	
15	PD020056	' #10-24 X 1/2" PH.TR. M.S. *SS*	1	EA	
16	PD020055	' #10 X 1/2" PAN PHIL. TEK.*SS*	1	EA	
17	L1004882	REAR HEAT SHIELD - 53"	1	EA	
18	PE070791	GRILL POWER SUPPLY CORD (8 FT)	1	EA	
19	PB060055	Rotis. Mount Casting	1	EA	
20	L1005398	Side Heat Shield	1	EA	
21	PA020047	INVENSYS 0+4 RE-IGNITION SPARK MODULE	1	EA	
22	PD040044	SNAP THRU BUSHING 1/4"DIA CORD	1	EA	
23	PE070855	E SERIES TERMINAL BLOCK	1	EA	
24	A2000210	WIRE CHANNEL	1	EA	NO LONGER AVAILABLE, Not available online / Call for pricing and availability
25	A20015410	GRILL WIRE CHANNEL - 53" REAR	1	EA	





Item	Part No.	Name	Qty	Uom	NOTES
26	A20015412	GRILL WIRE CHANNEL - 42" SHORT	1	EA	
NI	019962-000	SERVICE POWER CORD SHIELD KIT	1	EA	

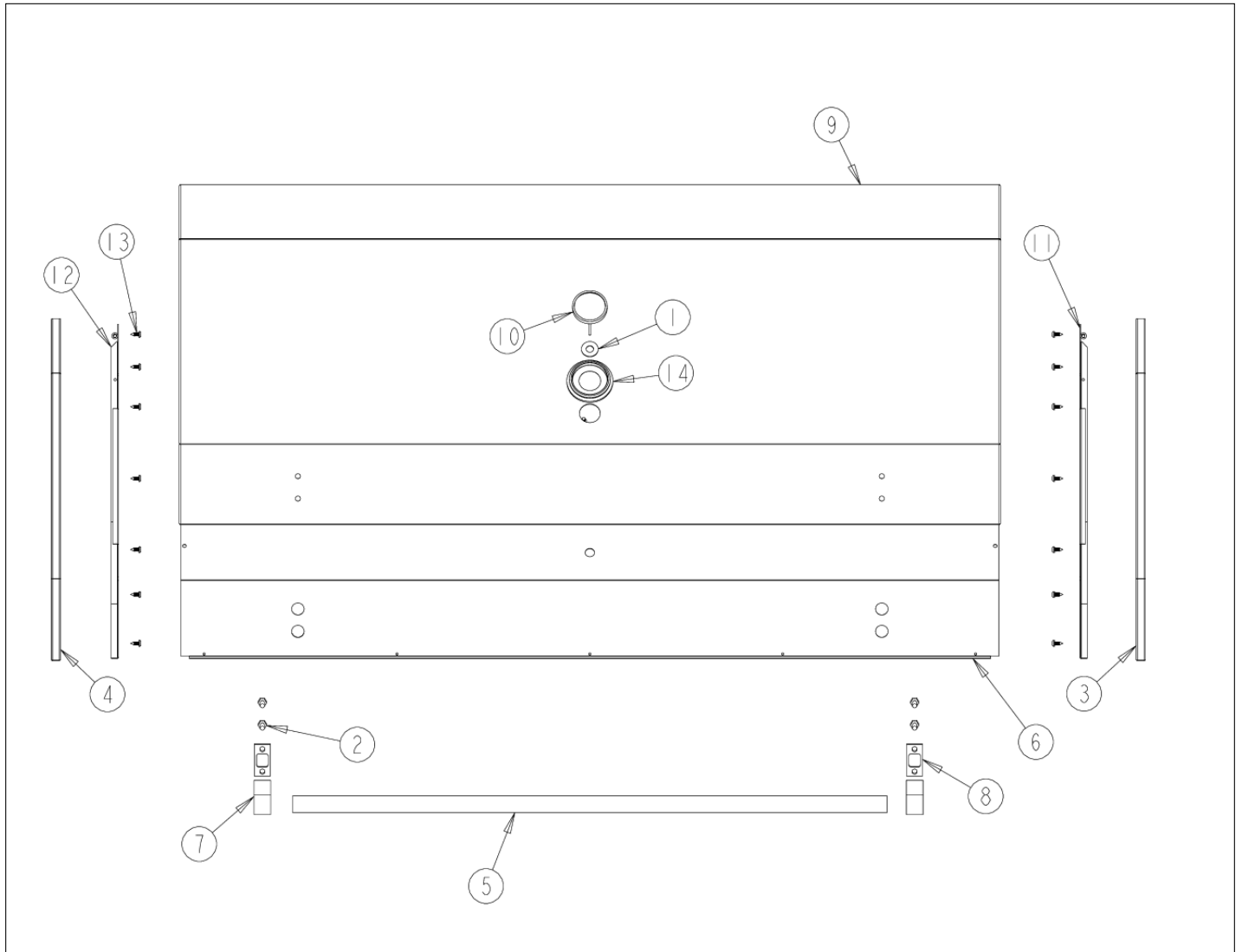
BURNER GRATE AREA





Item	Part No.	Name	Qty	Uom	NOTES
1	PD020067	' #6 X 3/8" PAN PHIL. TEK *SS*		EA	
2	PD020048	NO.10 X 1/2 TEK 410 SS SCREW		EA	
3	B2004921	Burner Drip Shield		EA	
<p>Comments for Part Num. B2004921</p> <p>vharding68@verizon.net on Jul 25, 2017</p> <p>PART NUMBER FOR THE NUTS (TOTAL 18) FOR ALL 4 SHIELDS IS PD030060 KEPS NUT (10-32)</p> <p>I BELIEVE THE PD030044 KEPS NUT (10-24) ARE FOR A DIFFERENT PART OF THE UNIT.</p>					
4	PB020114	FLASH TUBE (VGBQ3002T)		EA	
5	B2005248	FRONT BURNER BRACKET (PHASE 2)		EA	
6	PA080050	Grill Burner		EA	
7	PA060052	Full Grill Grate	3	EA	
7	PA060068	FULL GRATE *SS*	3	EA	
8	B20015514	GRILL FRAME 53" - NLA		EA	
9	008090-000	PB040287 IGNITOR KIT		EA	
10	PK010061	1/2 Flavor Grid		EA	
11	PA060053	1/2 Grill Grate	2	EA	
11	PA060069	Half Grate SS	2	EA	
12	PD030060	#10-32 KEPS NUT SS		EA	
13	PD020055	' #10 X 1/2" PAN PHIL. TEK.*SS*		EA	
14	B2005249	REAR BURNER BRACKET (PHASE 2)		EA	
15	027596-000	BOX, SMOKER ASM		EA	
16	B2005324	Burner Drip Shield		EA	
17	PB020115	SMOKER FLASH TUBE		EA	
18	008091-000	PB040288 IGNITOR KIT		EA	
19	PA080051	Smoker Burner		EA	

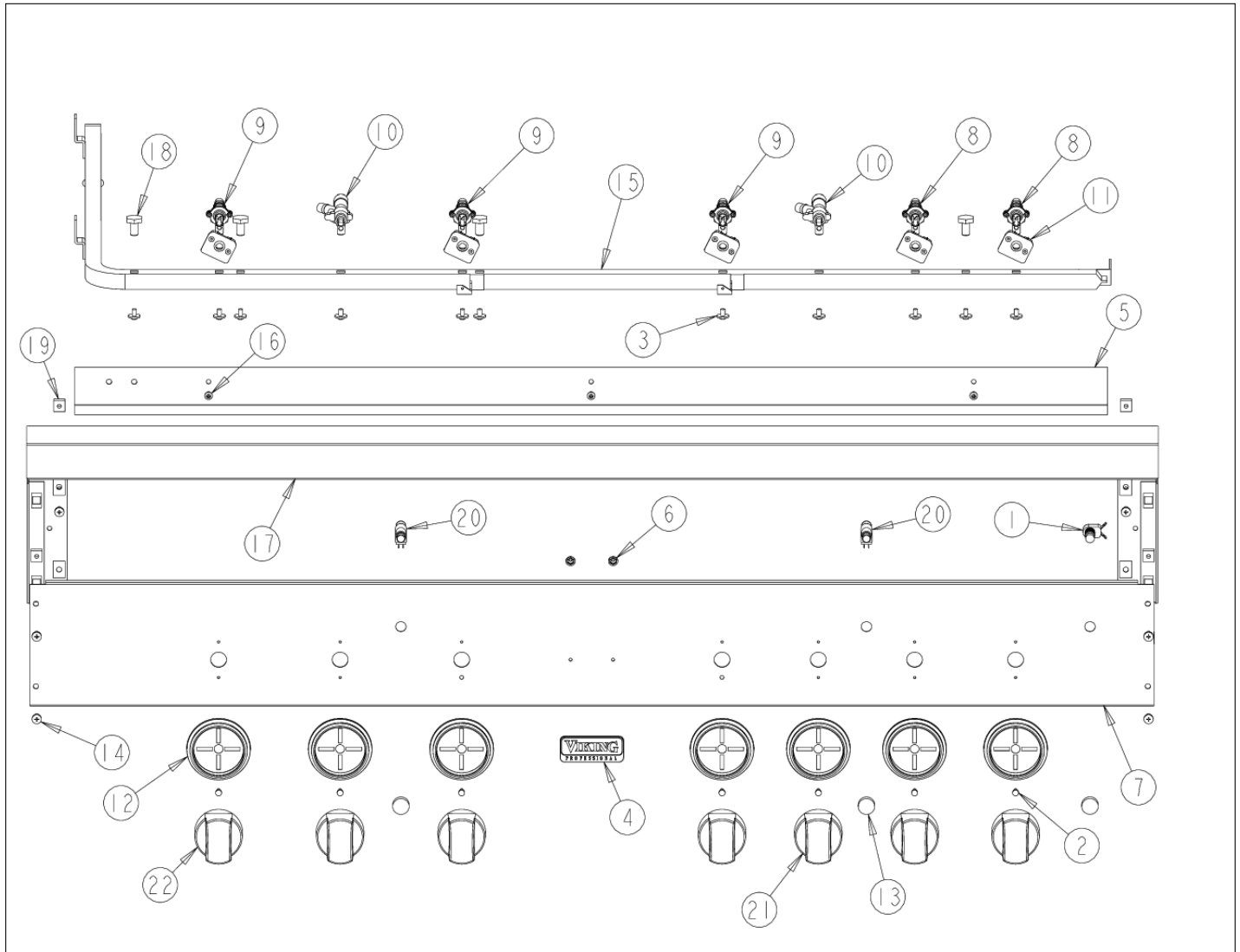
CANOPY ASSEMBLY





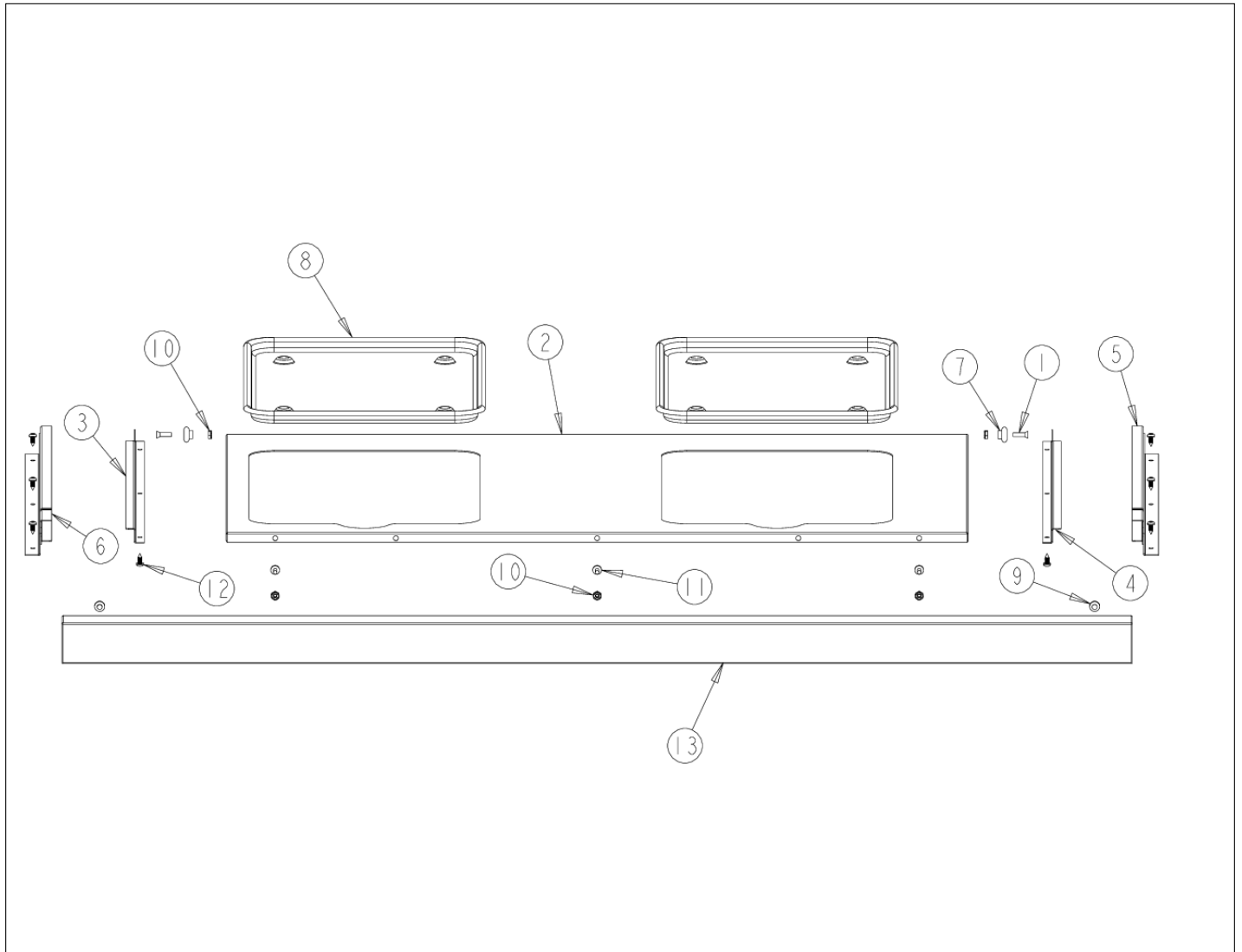
Item	Part No.	Name	Qty	Uom	NOTES
1	PD040166	GRILL THERMO SPACER	1	EA	
2	PD020069	CAP SCREW 1/4-20 X 3/4 SS	1	EA	
3	B3005292	CANOPY END RH (PHASE 2)	1	EA	
4	B3005293	CANOPY END LH (PHASE 2)	1	EA	
5	PE030040	DOOR/CNPY HNDLE - RPLCS PE930090	1	EA	NO LONGER AVAILABLE
NI	PE030044PVD	CNPY HDLE 41/53 PVD F0005408	1	EA	NO LONGER AVAILABLE
6	B2005299	CANOPY HEAT SHIELD 53 FULL	1	EA	NO LONGER AVAILABLE, Not available online / Call for pricing and availability
7	000268-000	HANDLE ENDCAP	1	EA	
NI	PE030001PVD	END CAP DOOR HANDLE *BR	1	EA	
8	PD040010	DOOR HANDLE SPACER	1	EA	
9	B2005296	GRILL CANOPY - 53"" (PHASE 2)	1	EA	NO LONGER AVAILABLE, Not available online / Call for pricing and availability
10	PB010337	GRILL THERMOMETER	1	EA	
11	B2005294	INSIDE CANOPY END RH (PHASE 2)	1	EA	Not available online / Call for pricing and availability
12	B2005295	INSIDE CANOPY LH (PHASE 2)	1	EA	Not available online / Call for pricing and availability
13	PD020055	' #10 X 1/2" PAN PHIL. TEK.*SS*	1	EA	
14	PB010192	THERMOSTAT BEZEL	1	EA	
NI	PB010212	THERMOSTAT BEZEL BRASS	1	EA	

CONTROL AREA



Item	Part No.	Name	Qty	Uom	NOTES
1	PE050019	OVEN LIGHT SWITCH (VGSO166) 90-DEG.	1	EA	
2	PD020067	' #6 X 3/8" PAN PHIL. TEK *SS*	1	EA	
3	PD010012	1/4 x 3/8 VALVE BOLT	1	EA	
4	PE010142	3" VIKING LOGO BLACK/CHROME	1	EA	
NI	PE010143	3" LOGO BK/BR	1	EA	
5	B20015540	53" GRILL GUTTER	1	EA	
6	PD030006	CAPPED WASHER PAL NUT	1	EA	
7	B92015541	CONTROL PANEL 53 FULL GRILL	1	EA	
8	003533-000	GRILL VALVE NAT. (5,000-12,500 BTU)	1	EA	
NI	003573-000	GRILL VALVE L.P. (5,000-10,500 BTU)	1	EA	
9	003516-000	GRILL VALVE NAT. (7,600-25,000 BTU)	1	EA	
NI	003538-000	PA010150 VALVE AND BOLT KIT	1	EA	
10	046328-000	NATURAL ROTIS VALVE - KNOB KIT	1	EA	
NI	046329-000	LP ROTIS VALVE - KNOB KIT	1	EA	
11	PA020045	Spark Ignition Switch	1	EA	
12	050172-000	BEZEL, KNOB	1	EA	
NI	PB010209	Bezel - BR	1	EA	
13	PB010163	OVEN LIGHT SWITCH KNOB *BK* (VESO/D	1	EA	
14	PD020056	' #10-24 X 1/2" PH.TR. M.S. *SS*	1	EA	
15	PA050068	PHASE2 53" MANIFOLD	1	EA	
16	PD020055	' #10 X 1/2" PAN PHIL. TEK.*SS*	1	EA	
17	PK010065	LANDING LEDGE (VGBQ53) T SERIES	1	EA	
18	PA010012	ROPER PLUG	1	EA	
19	PD030050	10-24 CAGE NUT *SS*	1	EA	
20	PE050063	SPARKER SWITCH (PHASE 2)	1	EA	
21	PA010088	ROTIS. BURNER KNOB	1	EA	
22	PA010126	OUTDOOR GRILL KNOB	1	EA	

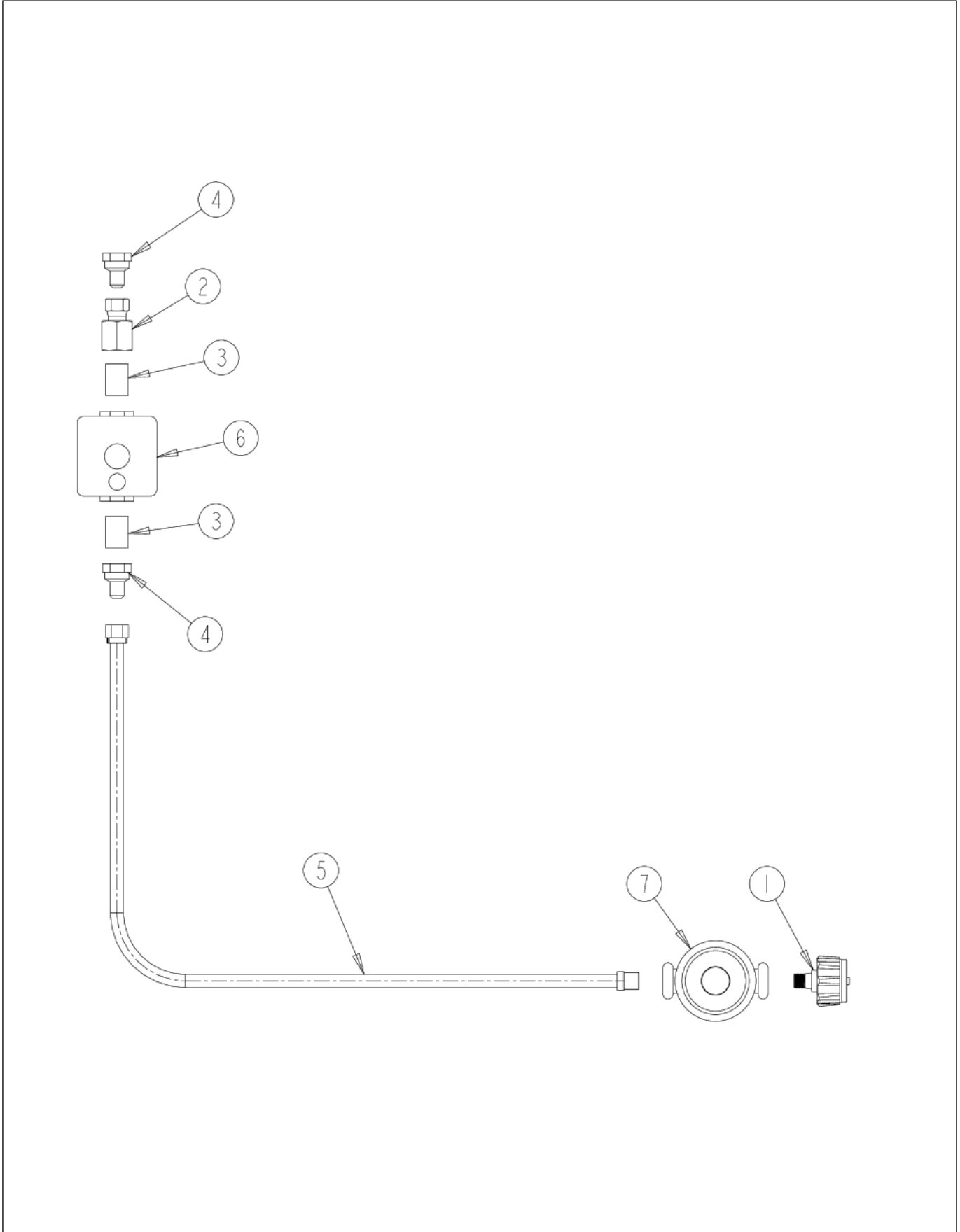
DRIP TRAY





Item	Part No.	Name	Qty	Uom	NOTES
1	PD020082	10 X 24 COUNTERSUNK S.S. SCREW	1	EA	
2	B2005309	DRIP TRAY 41	1	EA	
3	B2005317	DRIP TRAY RUNNER LH (PHASE 2)	1	EA	
4	B2005316	DRIP TRAY RUNNER RH	1	EA	
5	G3005215	DRIP TRAY SLIDE - RH	1	EA	
6	G3005214	DRIP TRAY SLIDE - LH	1	EA	
7	PC020025	DRIP TRAY WHEEL	1	EA	
8	J2101749	GREASE PAN	1	EA	
9	PD040004	GROMMET BUMPER	1	EA	
10	PD030044	10-24 KEPS NUT *SS*	1	EA	
11	PD020056	' #10-24 X 1/2" PH.TR. M.S. *SS*	1	EA	
12	PD020055	' #10 X 1/2" PAN PHIL. TEK.*SS*	1	EA	
13	B3005313	53" DRIP TRAY HANDLE	1	EA	
NI	G3205305	53" DRIP TRAY ASSY	1	EA	
Not Shown	NOTE	(DOES NOT INCLUDE ITEMS #5, 6, & 8)		EA	

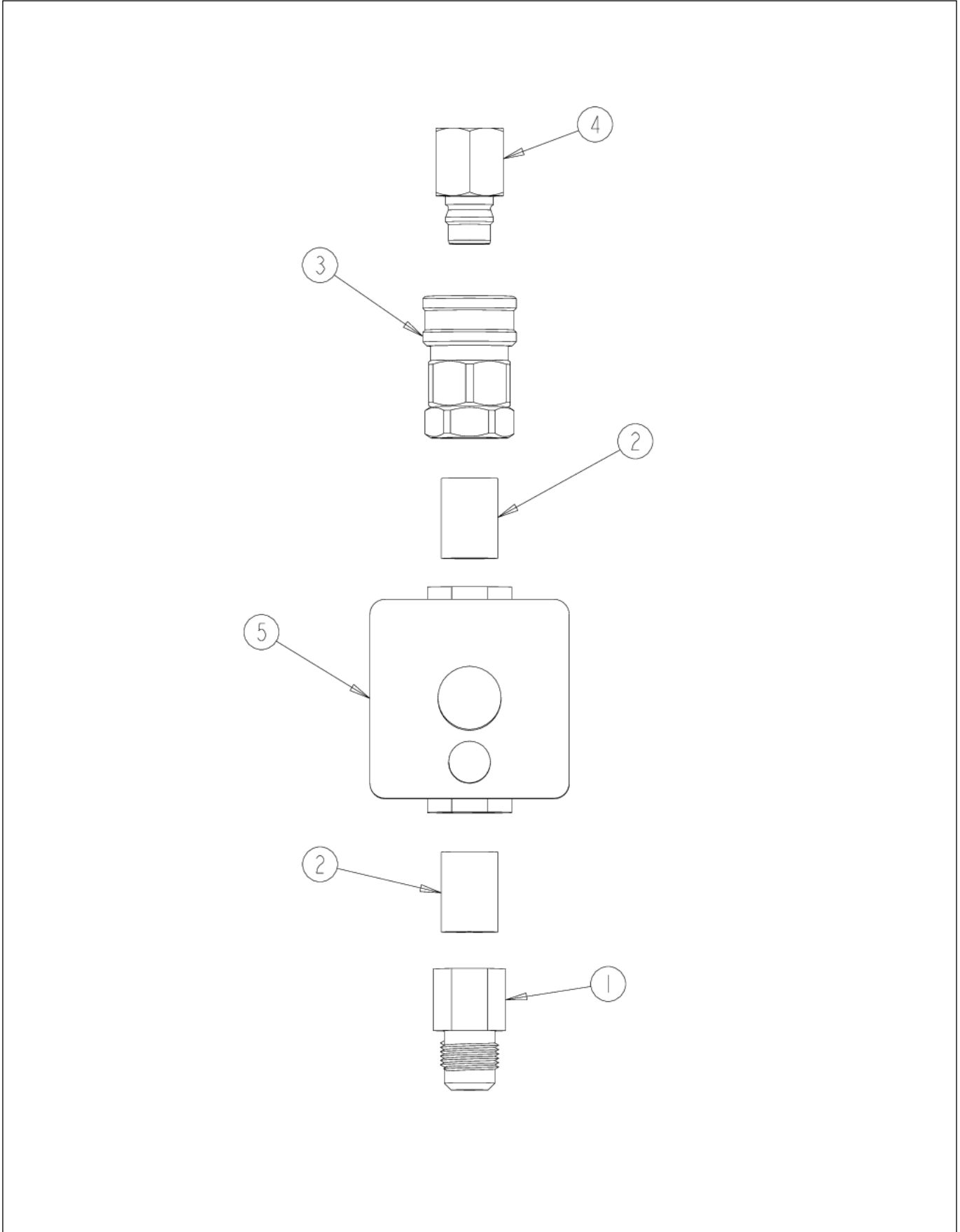
LP REGULATOR ASSEMBLY





Item	Part No.	Name	Qty	Uom	NOTES
1	PA010138	CYLINDER CONNECTION	1	EA	
2	PB040235	1/2"NPT TO 3/8" FLARE COUPLING	1	EA	
3	PB040046	1/2" CLOSE NIPPLE	1	EA	
4	PB040146	1/2" X 3/8" FLARE ADAPTER (VGBQ)	1	EA	
5	PB020227	HIGH PRESSURE LP HOSE	1	EA	
6	PA070005	PRESSURE REG.(LP) RV47L- 77-10.0	1	EA	
7	PA070007	LP TANK REGULATOR (VGBQ)	1	EA	
NI	G3004937	REGULATOR ASSY - L.P. W/HOSE	1	EA	

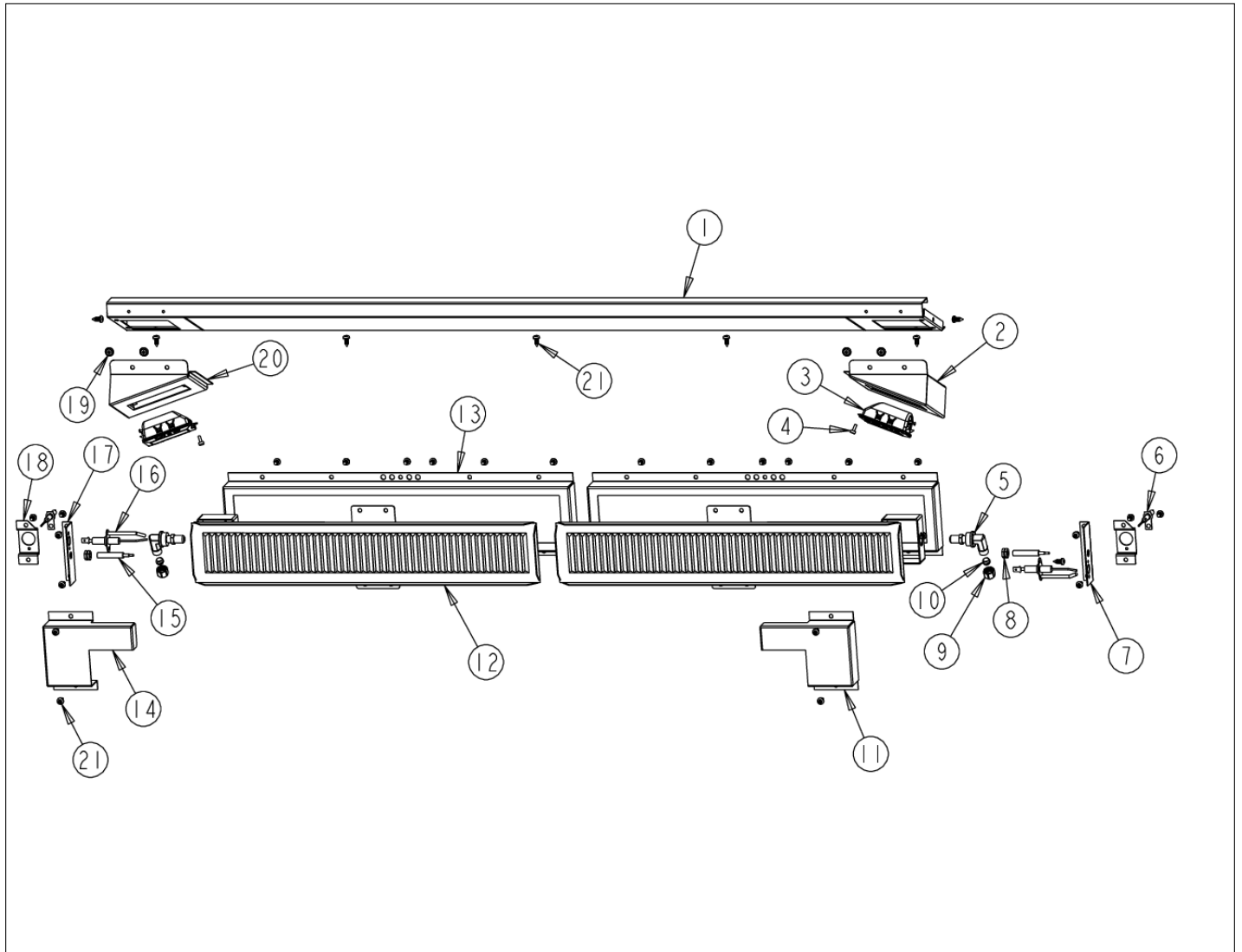
NATURAL GAS REGULATOR ASSEMBLY





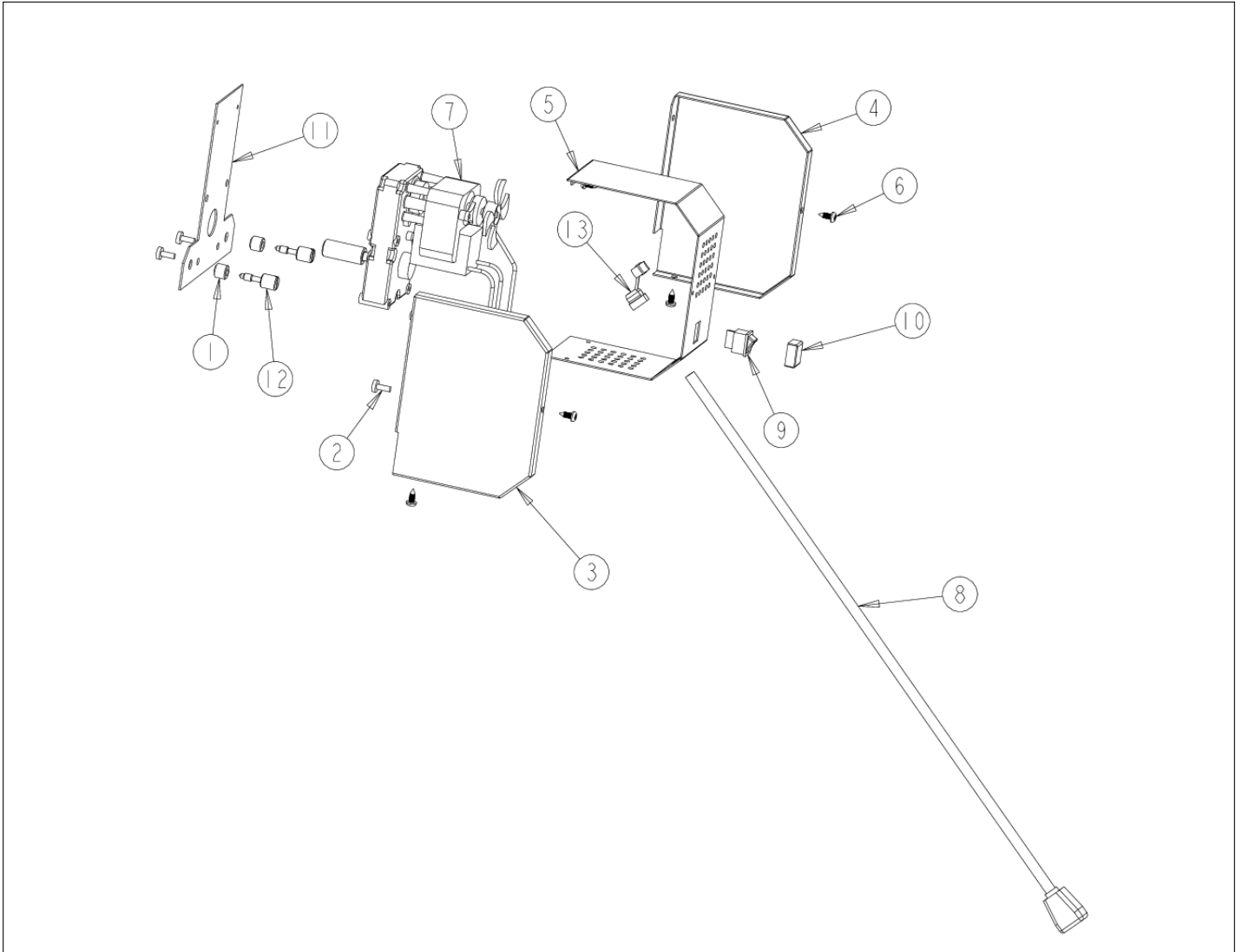
Item	Part No.	Name	Qty	Uom	NOTES
1	PB020239	7/8 FLARE TO 1/2 FEMALE CONNECTOR	1	EA	
2	PB040046	1/2" CLOSE NIPPLE	1	EA	
3	023653-000	Nipple-Coupler Assy	1	EA	
4	023653-000	Nipple-Coupler Assy	1	EA	
5	PA070006	PRESSURE REG.(NAT.)-4"-FOR BBQ GRIL - NLA	1	EA	
NI	G3004936	REGULATOR ASSY - NAT (P1 GRILL)	1	EA	

ROTISSERIE BURNER AREA



Item	Part No.	Name	Qty	Uom	NOTES
1	G91015561	53" FRONT HOUSING WELD ASSEMBLY	1	EA	
2	000603-000	GRILL LIGHT HOUSING RH	1	EA	
3	005311-000	LAMP, OVEN, 120V/25W	1	EA	
Not Shown	NOTE	(INCLUDES 24" WIRE LEAD)		EA	
4	PD020067	' #6 X 3/8" PAN PHIL. TEK *SS*	1	EA	
5	PB040124	90 DEG. ORIFICE FITTING	1	EA	
NI	PB040125	ORIFICE FTG 90D 20"IR #57 HD YELLOW	1	EA	
6	PB040280	FLEXIBLE ROTISSERIE IGNITOR	1	EA	
7	B20015221	I/R IGNITER COVER - RH	1	EA	Not available online / Call for pricing and availability
8	PD030048	THERMOCOUPLE NUT M08-VGBQ-8743300007	1	EA	
9	PB040228	FITTING BRASS COMPRESSION NUT	1	EA	
10	PB040263	5/16 FERRULE	1	EA	
NI	PB020096	48" 5/16 S.S. FLEX TUBING REPL F2003505	1	EA	
11	B20015521	53" RH ROTISSERIE IGNITOR COVER	1	EA	
12	G3005289	I/R Burner Assy	1	EA	
13	B2005347	I/R Frame	1	EA	
14	B20015402	I/R IGNITOR COVER LH	1	EA	
15	PB010162	THERMOCOUPLE - BBQ GRILL W/ ROTIS	1	EA	
16	PB040160	WOK IGNITER	1	EA	
17	B20015403	IR IGNITOR BRACKET	1	EA	
18	B20015401	FLEX IGNITER STAND OFF	1	EA	Not available online / Call for pricing and availability
19	PD020073	SRW #10 X 24 X 3/8 WAFER HD TYPE23	1	EA	
20	000602-000	GRILL LIGHT HOUSING LH	1	EA	
21	PD020055	' #10 X 1/2" PAN PHIL. TEK.*SS*	1	EA	

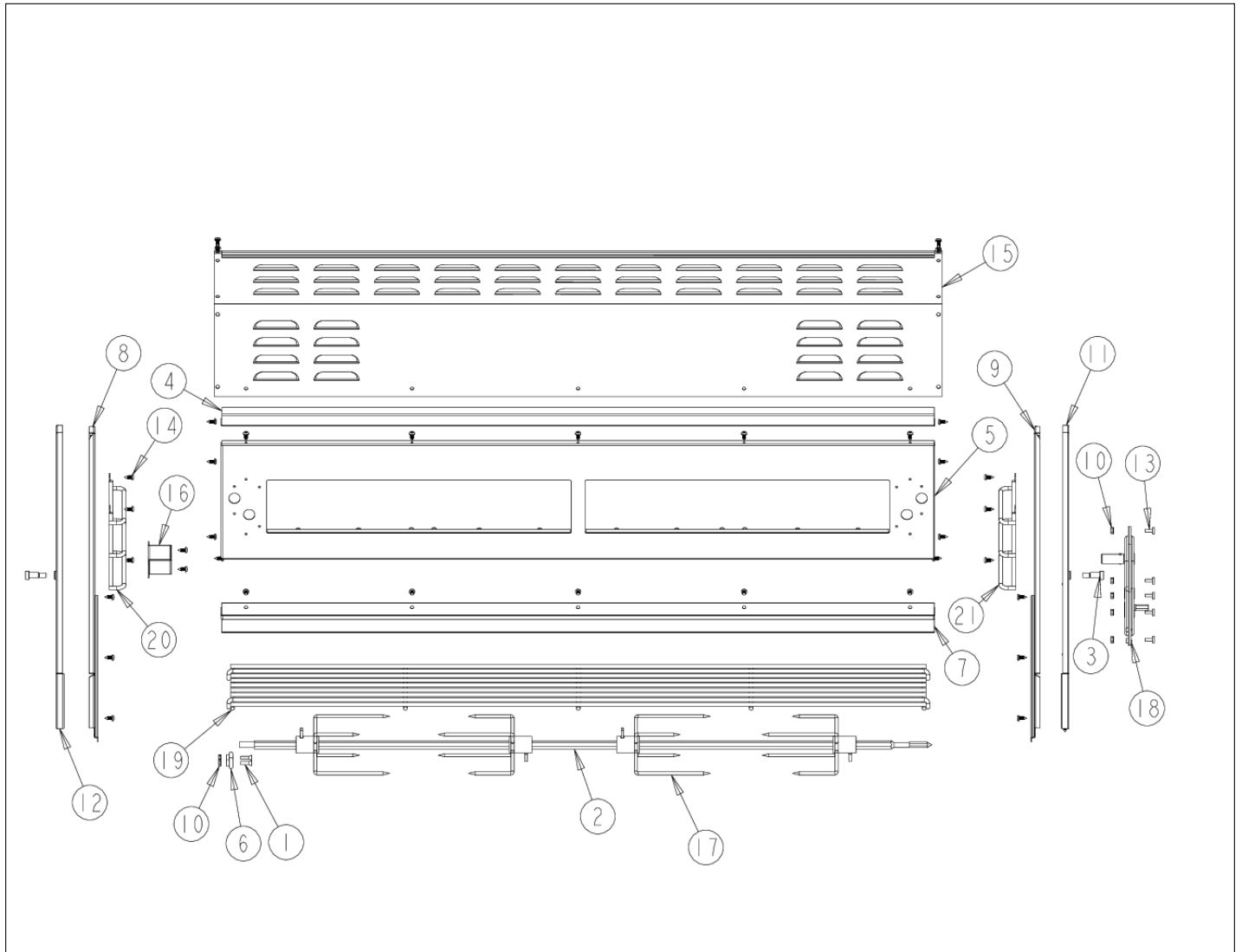
ROTISSERIE MOTOR ASSEMBLY





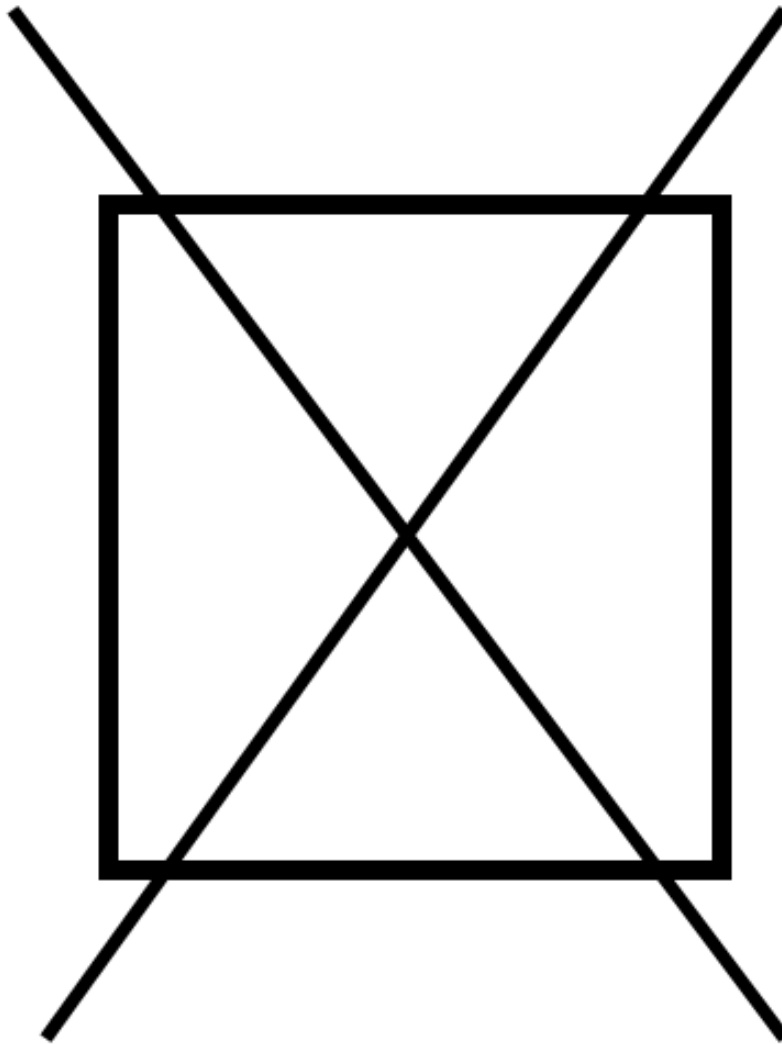
Item	Part No.	Name	Qty	Uom	NOTES
1	PD030064	CAPTURE NUT 1/4" #20		EA	
2	PD020056	' #10-24 X 1/2" PH.TR. M.S. *SS*		EA	
3	B2005284	PHASE II ROTIS BOX FRONT		EA	
4	B2005285	PHASE II ROTIS BOX FRONT		EA	
5	B2005286	PHASE II ROTIS COVER		EA	
6	PD020055	' #10 X 1/2" PAN PHIL. TEK.*SS*		EA	
7	PE070184	ROTISSERIE MOTOR		EA	
8	PE070189	ELECTRICAL SUPPLY CORD - BBQ GRILL		EA	
9	PE050051	ROTISSERIE SWITCH		EA	
10	PE050046	ROTISSERIE SWITCH BOOT		EA	NO LONGER AVAILABLE
Not Shown	NOTE	(MUST ORDER ITEM 9)		EA	
11	B1005283	ROTISSERIE MOUNTING PLATE (PHASE 2)		EA	
12	PD010090	ROTISSERIE FASTENER KNOB		EA	
13	PD040044	SNAP THRU BUSHING 1/4"DIA CORD		EA	
NI	G3205282	ROTISSERIE MOTOR ASSEMBLY (PHASE 2)		EA	

UPPER GRILL AREA



Item	Part No.	Name	Qty	Uom	NOTES
1	PD020082	10 X 24 COUNTERSUNK S.S. SCREW	1	EA	
2	PB060052	ROTIS SPIT ROD 53"	1	EA	
3	PD010043	5/16INCH SHOULDER BOLT (PHASE 2)	1	EA	
4	G91015534	53" LIGHT BAR ASSEMBLY	1	EA	NO LONGER AVAILABLE, Not available online / Call for pricing and availability
5	G91015546	53" FRONT HOUSING WELD ASSY	1	EA	
6	PC020025	DRIP TRAY WHEEL	1	EA	
7	E9107203	FRONT HOUSING 53	1	EA	NOT FIELD REPLACEABLE
8	B20015419	INSIDE WINDSHIELD LH	1	EA	Not available online / Call for pricing and availability
9	B20015418	INSIDE WINDSHIELD RH	1	EA	Not available online / Call for pricing and availability
10	PD030044	10-24 KEPS NUT *SS*	1	EA	
11	G5005256	O/S Windshield Assy - RH	1	EA	Not available online / Call for pricing and availability
12	G5005257	O/S Windshield Assy - LH	1	EA	
13	PD020056	' #10-24 X 1/2" PH.TR. M.S. *SS*	1	EA	
14	PD020055	' #10 X 1/2" PAN PHIL. TEK.*SS*	1	EA	
15	B2005279	REAR COVER 53 (PHASE 2)	1	EA	Not available online / Call for pricing and availability
16	B2005278	ROTISSERIE ROLLER BRACKET (PHASE 2)	1	EA	
17	032881-000	FORK, RTSR	1	EA	
18	PC070024	ROTIS. GEAR BOX ASSY	1	EA	
19	PB060050	WARMING RACK 53" FULL	1	EA	
20	PB060113	WARMING RACK SUPPORT LH	1	EA	
21	PB060112	WARMING RACK SUPPORT RH	1	EA	

NON ILLUSTRATED PART





Item	Part No.	Name	Qty	Uom	NOTES
NI	PE070813	WIRE HARNESS (VGBQ5304RE)	1	EA	
NI	025322-000	HARNESS, WIRE, ROTISSERIE	2	EA	



Appendix A:Pages Index

BURNER BOX AREA 1
BURNER GRATE AREA 2
CANOPY ASSEMBLY 3
CONTROL AREA 4
DRIP TRAY 5
LP REGULATOR ASSEMBLY 6
NATURAL GAS REGULATOR ASSEMBLY 7
ROTISSERIE BURNER AREA 8
ROTISSERIE MOTOR ASSEMBLY 9
UPPER GRILL AREA 10
WIRNG 11



Appendix B:Parts Index

000268-000	3	B2005249	2
000602-000	8	B2005278	10
000603-000	8	B2005279	10
003516-000	4	B2005284	9
003533-000	4	B2005285	9
003538-000	4	B2005286	9
003573-000	4	B2005294	3
005311-000	8	B2005295	3
008090-000	2	B2005296	3
008091-000	2	B2005299	3
019962-000	1	B2005309	5
023653-000	7, 7	B2005316	5
025322-000	11	B2005317	5
027596-000	2	B2005324	2
032881-000	10	B2005347	8
046328-000	4	B2006305	1
046329-000	4	B2007826	1
050172-000	4	B30015551	1
A2000210	1	B30015552	1
A20015410	1	B3005292	3
A20015412	1	B3005293	3
B1005283	9	B3005313	5
B20010117	1	B92015541	4
B20015221	8	E9107203	10
B20015401	8	G3004936	7
B20015402	8	G3004937	6
B20015403	8	G3005214	5
B20015418	10	G3005215	5
B20015419	10	G3005232	1
B20015508	1	G3005233	1
B20015511	1	G3005289	8
B20015514	2	G3205282	9
B20015521	8	G3205305	5
B20015540	4	G5005256	10
B2004921	2	G5005257	10
B2005203	1	G91015534	10
B2005204	1	G91015546	10
B2005244	1	G91015561	8
B2005246	1	J2101749	5
B2005248	2	L1004882	1
		L1005398	1



PA010012	4	PC020025	5, 10
PA010088	4	PC070024	10
PA010126	4	PD010012	4
PA010138	6	PD010043	10
PA020045	4	PD010090	9
PA020047	1	PD020014	1
PA050068	4	PD020048	2
PA060052	2	PD020055	1, 2, 3, 4, 5, 8, 9, 10
PA060053	2	PD020056	1, 4, 5, 9, 10
PA060068	2	PD020067	2, 4, 8
PA060069	2	PD020069	3
PA070005	6	PD020073	8
PA070006	7	PD020082	5, 10
PA070007	6	PD030006	4
PA080050	2	PD030044	5, 10
PA080051	2	PD030048	8
PB010162	8	PD030050	4
PB010163	4	PD030060	2
PB010192	3	PD030064	9
PB010209	4	PD040004	5
PB010212	3	PD040010	3
PB010337	3	PD040044	1, 9
PB020096	8	PD040166	3
PB020114	2	PE010142	4
PB020115	2	PE010143	4
PB020227	6	PE030001PVD	3
PB020239	7	PE030040	3
PB040046	6, 7	PE030044PVD	3
PB040124	8	PE050019	4
PB040125	8	PE050046	9
PB040146	6	PE050051	9
PB040160	8	PE050063	4
PB040228	8	PE070184	9
PB040235	6	PE070189	9
PB040263	8	PE070791	1
PB040280	8	PE070813	11
PB060050	10	PE070855	1
PB060052	10	PK010061	2
PB060055	1	PK010065	4
PB060112	10		
PB060113	10		