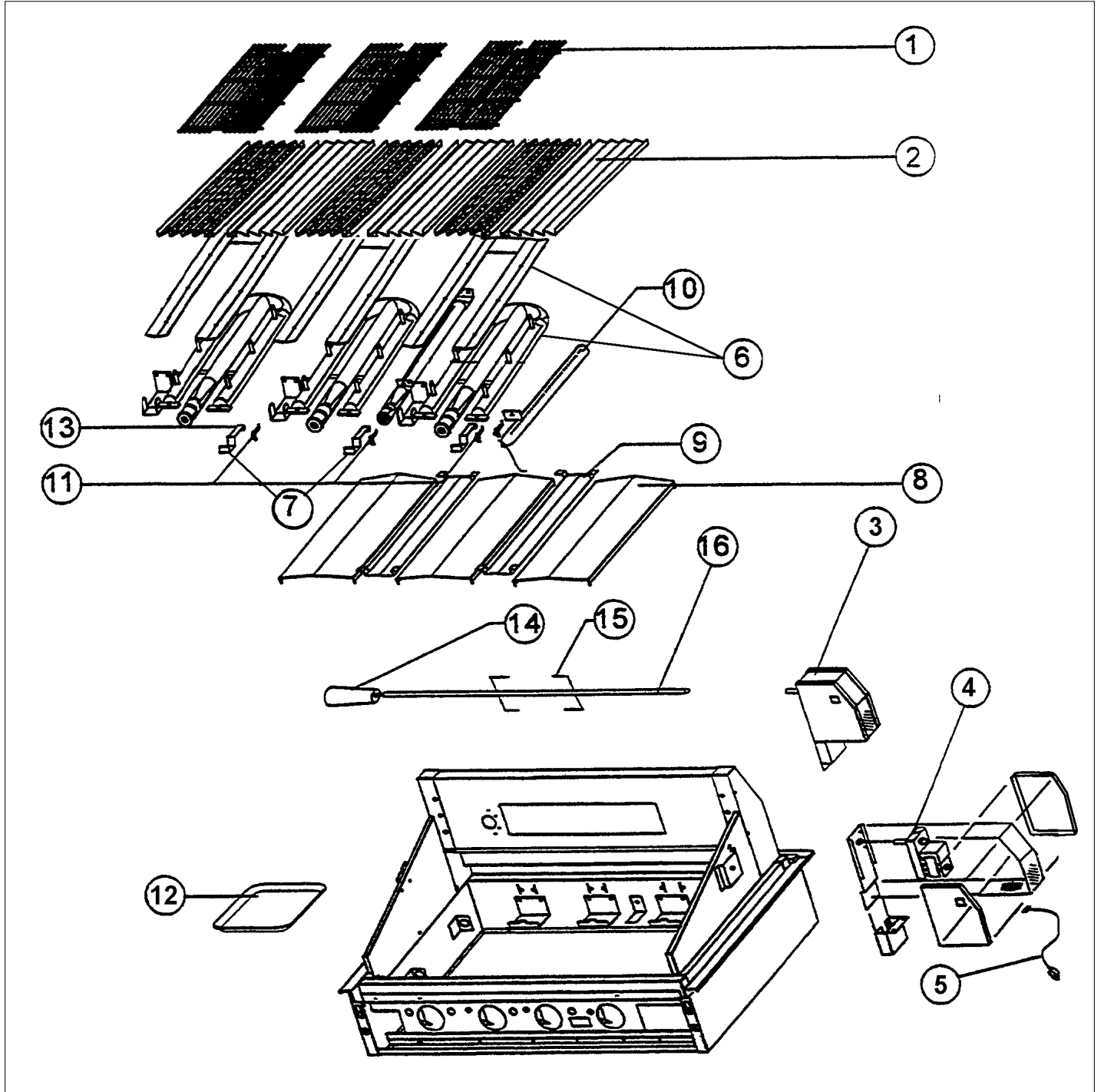


VGBQ5304R

BURNER-GRATE ASSY	1
CONTROL-VALVE	2
GRILL SUBASSY	3
Appendix A:Pages Index	A
Appendix B:Parts Index	B

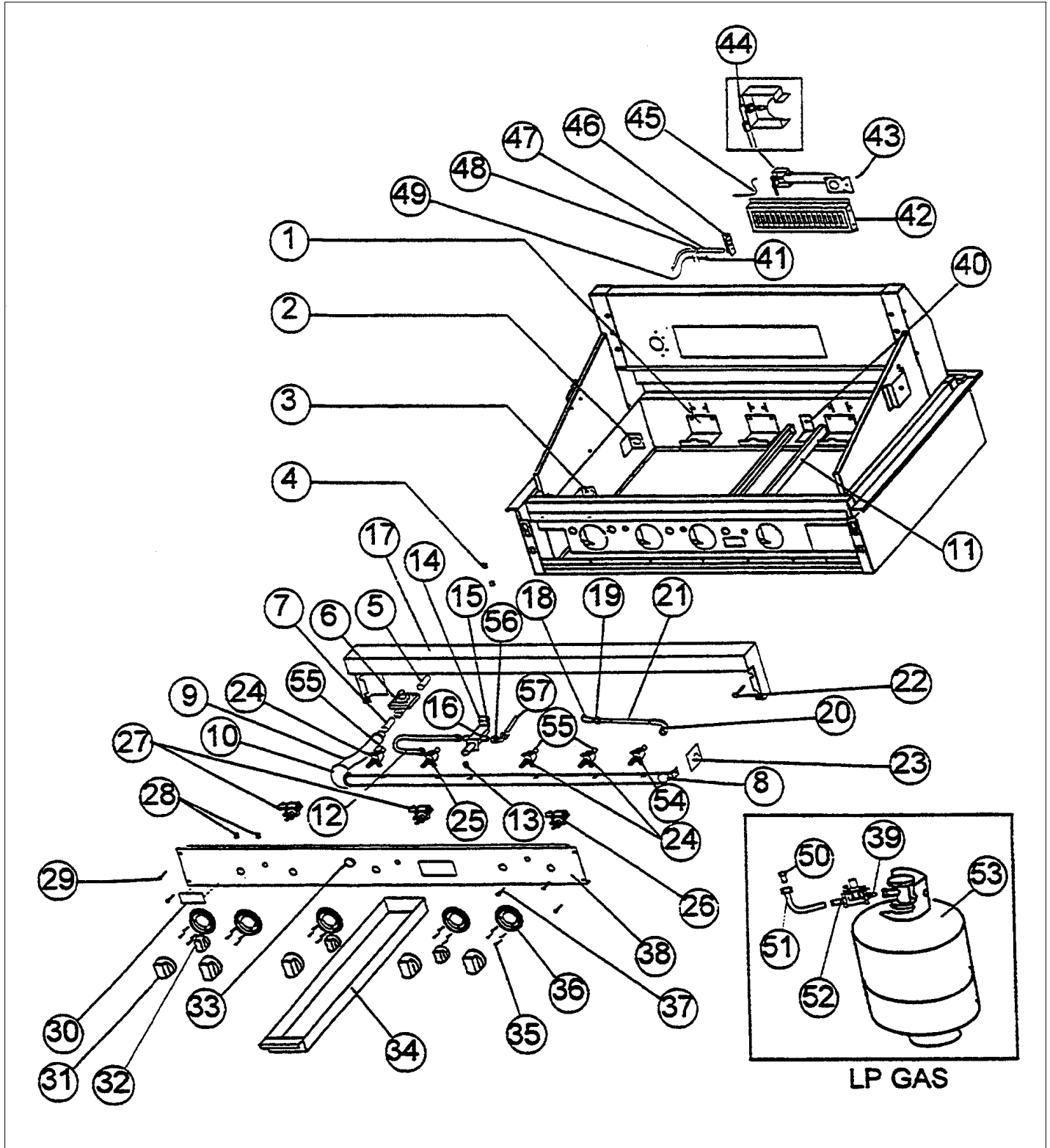
BURNER-GRATE ASSY



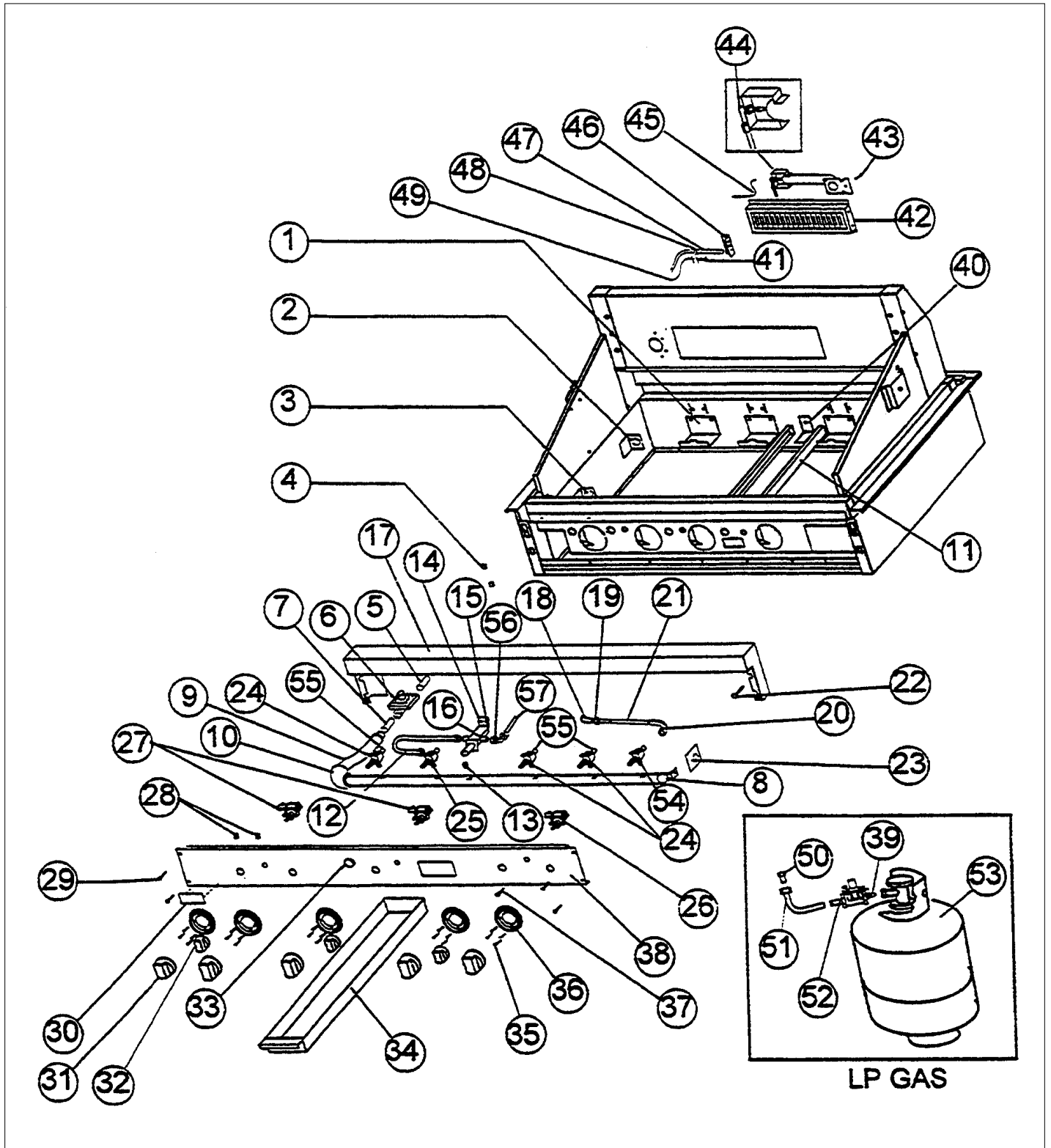


Item	Part No.	Name	Qty	Uom	NOTES
1	PB060049	COOKING GRIDS REPL PB060028	1	EA	
2	007905-000	FLAVOR GRID (REPLACES B2007409)	1	EA	
3	G3203346	ROTIS ASSY "S"	1	EA	
4	PE070184	ROTISSERIE MOTOR	1	EA	
5	PE070189	ELECTRICAL SUPPLY CORD - BBQ GRILL	1	EA	
6	G5004548	SS BURNER KIT REP PA080035	1	EA	
7	B2003273	IGNITOR COVERS (VGBQ)	1	EA	
8	B2003270	BURNER DRIP SHIELD (VGBQ)	1	EA	
9	B2003791	CENTER SHIELD (VGBQ)	1	EA	
10	PB050054	SMOKER BURNER - 36/48" BBQ GRILL	1	EA	
11	PB040122	IGNITOR FOR (BBQ GRILL) (1647-89)	1	EA	
12	E9107933	BROILER PAN	1	EA	
13	B2003546	IGNITOR COVER LH (VGBQ)	1	EA	
14	PE030039	SPIT HANDLE (ROT. BBQ GRILL)	1	EA	
15	032881-000	FORK, RTSR	1	EA	
16	PB060036	ROTIS SPIT ROD (VGBQ5304R)	1	EA	

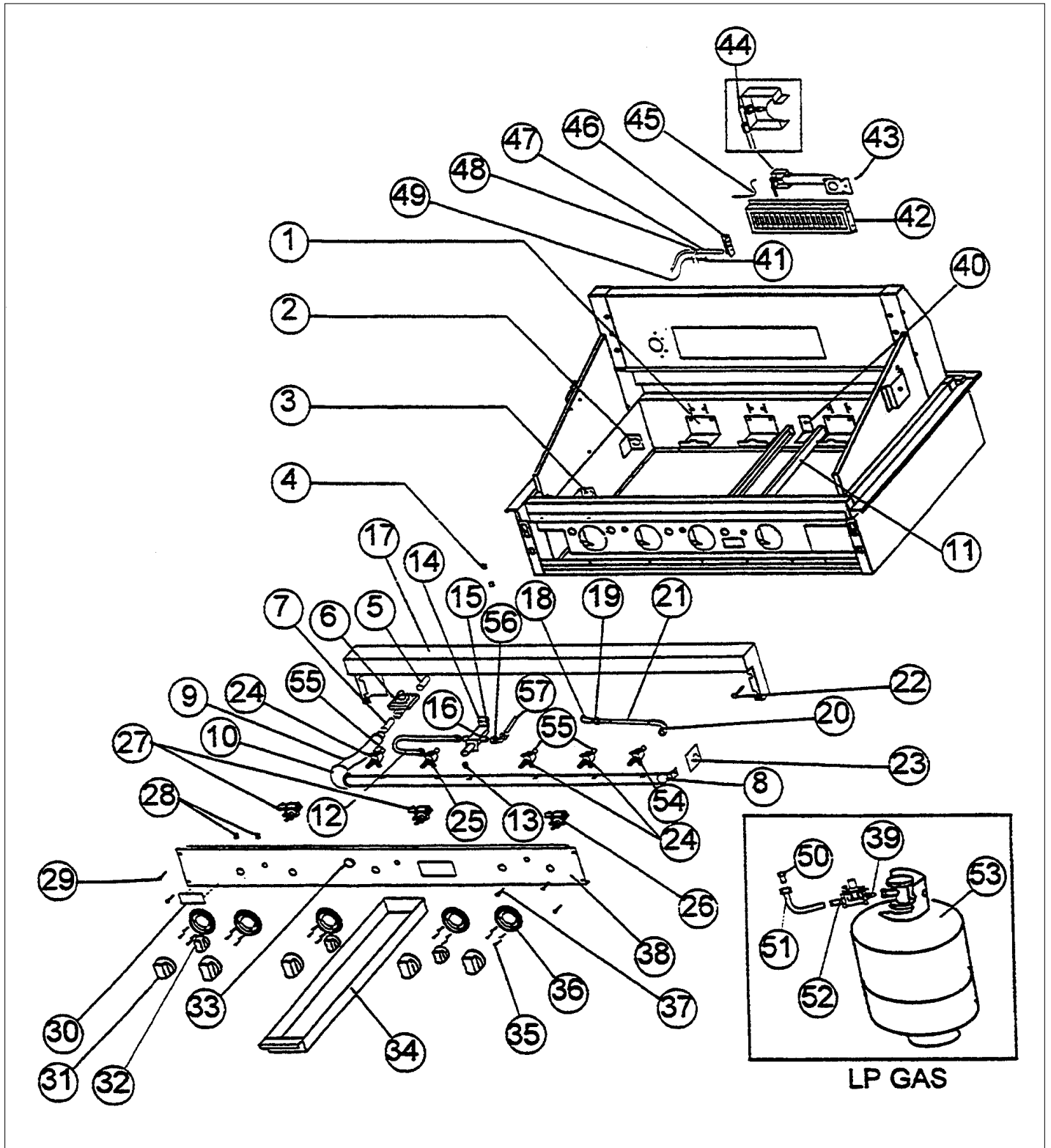
CONTROL-VALVE



Item	Part No.	Name	Qty	Uom	NOTES
1	B2003272	BURNER BRKT (VGBQ)	1	EA	
2	B2003545	MANIFOLD MOUNTING BRKT (REAR)	1	EA	
3	B2003507	MANIFOLD MOUNTING BRKT (FRONT)	1	EA	
4	PD030050	10-24 CAGE NUT *SS*	1	EA	
5	PA050033	PIPE NIPPLE - 1/2" X 3"	1	EA	
6	PA070006	PRESSURE REG.(NAT.)-4"-FOR BBQ GRIL - NLA	1	EA	
Not Shown	PA070005	PRESSURE REG.(LP) RV47L-77-10.0	1	EA	
7	PB040046	1/2" CLOSE NIPPLE	1	EA	
8	PA050056	MANIFOLD 48" BBQ GRILL	1	EA	
9	PB040052	PIPE NIPPLE - 22" (VGBQ)	1	EA	
10	PB040130	90 DEG. (1/2") FEMALE ELBOW	1	EA	
11	B2003340	SMOKER TRAY SUPTS (VGBQ)	1	EA	
12	F2003504	SUB TO PB020082 - TUBING (ROTIS. VALVE TO SAFETY VALVE)	1	EA	NO LONGER AVAILABLE
13	PB040127	1/8" PIPE PLUG	1	EA	
14	B2003261	VALVE BRKT - BBQ GRILL W/ ROTIS.	1	EA	
15	PD030049	SAFTY VALVE NUT M12-VGBQ-8743300010	1	EA	
16	PB010158	SAFETY VALVE -(IR) (BBQ GRILL)	1	EA	
17	G3003246	53" BBQ LANDING LEDGE - PK010046	1	EA	NO LONGER AVAILABLE
18	B1003295	SMOKER ORFICE BRKT (VGBQ)	1	EA	
19	PB040131	ORFICE ELBOW 90DEG.(*BR*)(#58NAT)	1	EA	NO LONGER AVAILABLE, Not available online / Call for pricing and availability
Not Shown	PB040132	ORFICE ELBOW 90DEG.(*BR*)(#74 L.P)	1	EA	
20	PB040130	90 DEG. (1/2") FEMALE ELBOW	1	EA	
21	F2003508	TUBING (SMOKER VALVE TO SMOKER ORIF.)	1	EA	
22	PD020056	' #10-24 X 1/2" PH.TR. M.S. *SS*	1	EA	



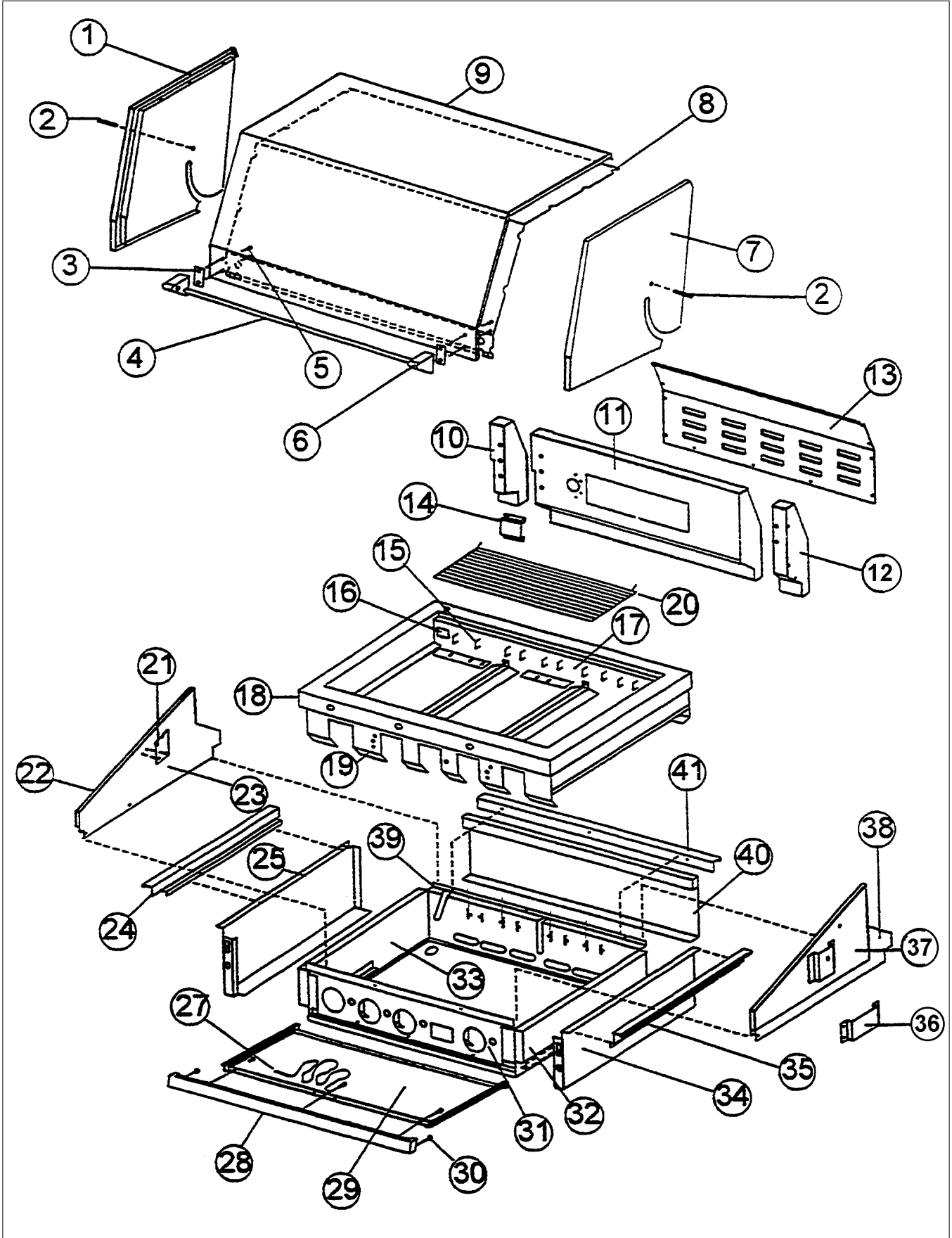
Item	Part No.	Name	Qty	Uom	NOTES
23	B1001138	MANIFOLD BRKT *SS* (VGBQ)	1	EA	
24	PA010053	GRILL VALVE (BBQ GRILL)(NAT.)	1	EA	
Not Shown	PA010054	GRILL VALVE (BBQ GRILL)(LP)	1	EA	NO LONGER AVAILABLE
25	PA010066	ROTIS VALVE (NAT.) (VGBQ)	1	EA	
Not Shown	PA010067	ROTIS VALVE (LP) (VGBQ)	1	EA	
26	PA020022	SINGLE OUTPUT IGNITION SWITCH-(VGBQ (1691.06)	1	EA	
27	PA020023	DUAL OUTPUT IGNITION SWITCH-(VGBQ) 1691-04	1	EA	
28	PD030006	CAPPED WASHER PAL NUT	1	EA	
29	PD020056	' #10-24 X 1/2" PH.TR. M.S. *SS*	1	EA	
30	PB010142	B/G T/STAT KNOB-*WH* (E.C.)	1	EA	
Not Shown	PB010143	KNOB-DUAL INFINITE SWITCH *BK*	1	EA	
31	PA010039	TOP GRILL KNOB*BK* (VGRC) (N/STYLE	1	EA	
32	PB010156	IGNITION SWITCH KNOB (BBQ GRILL) 1390-16	1	EA	
33	PB010159	SAFETY VALVE KNOB	1	EA	
34	G3203341	SMOKER TRAY ASSY - (VGBQ)	1	EA	
35	PD020067	' #6 X 3/8" PAN PHIL. TEK *SS*	1	EA	
36	050172-000	BEZEL, KNOB	1	EA	
Not Shown	PB010172	BEZEL NEW BR REPL PB010107	1	EA	
37	PD020062	#8-32 X 3/8 PHMS TYPE 1	1	EA	
38	B9203517	CTRL PAN (VGBQ5304R) *SLK SCR*	1	EA	
Not Shown	B9203516	CTRL PAN (VGBQ5304) *SLK SCR*	1	EA	NO LONGER AVAILABLE
39	PB040147	5LPA-10C PLUG (VGBQ LP)	1	EA	
40	B2003296	SMOKER BRKT (BBQ GRILL)	1	EA	
41	PB040122	IGNITOR FOR (BBQ GRILL) (1647-89)	1	EA	
42	G3103323	IR ASSY - 30" BBQ GRILL	1	EA	
43	PD020004	10X3/8PH.HD.TYPE 25 REPL PD040125	1	EA	





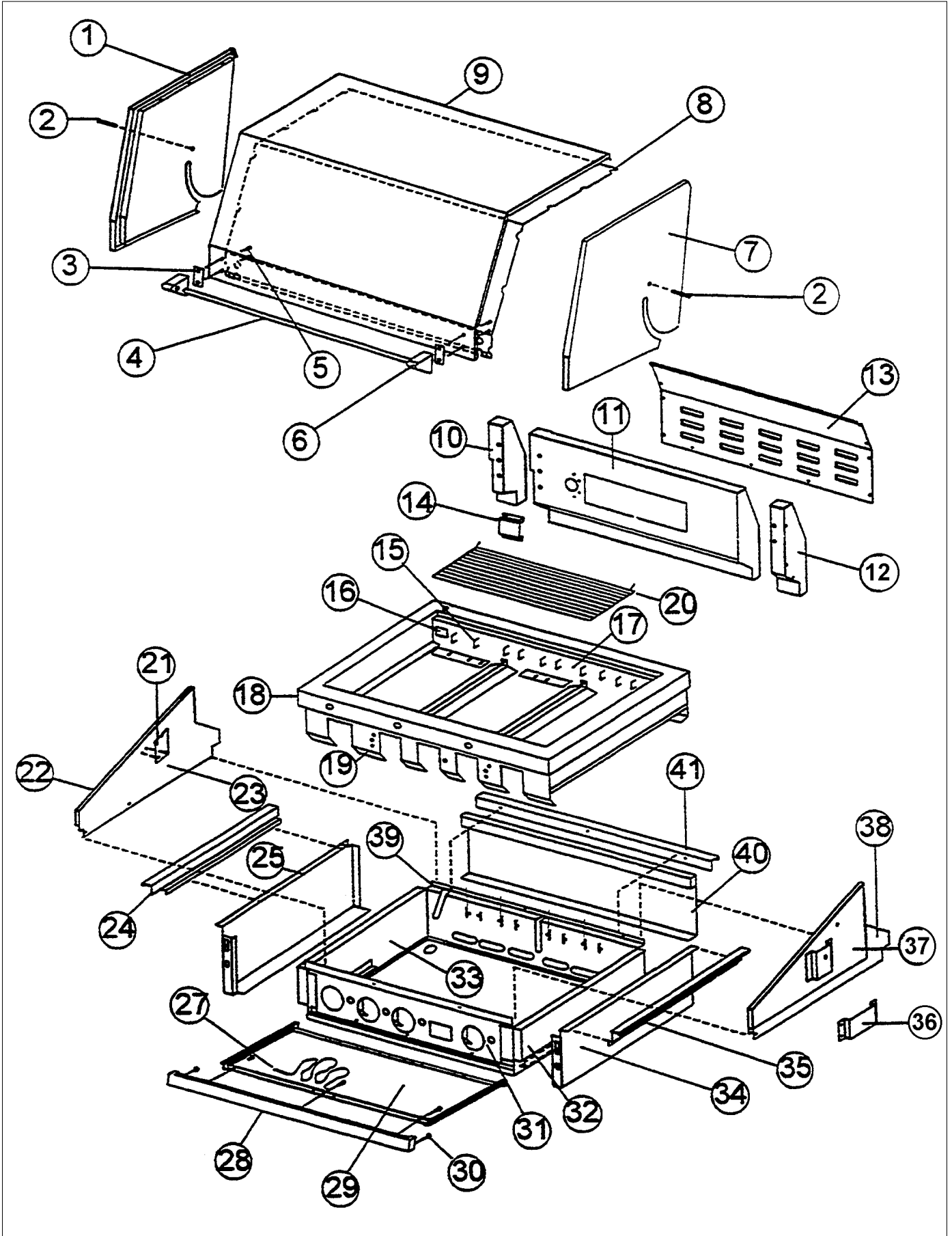
Item	Part No.	Name	Qty	Uom	NOTES
44	PB040124	90 DEG. ORIFICE FITTING	1	EA	
Not Shown	PB040125	ORIFICE FTG 90D 20"IR #57 HD YELLOW	1	EA	
Not Shown	PB040063	ORIFICE HOOD-#52 9701B1652	1	EA	
Not Shown	PB040084	ORIFICE HOOD-#62 9701B1662	1	EA	
45	G4004963	WIRING IR BURNER BBQ60	1	EA	
46	B2003318	THERMOCOUPLE / IGN. BKT. - BBQ GRILL	1	EA	
47	PB010162	THERMOCOUPLE - BBQ GRILL W/ ROTIS	1	EA	
48	PD030048	THERMOCOUPLE NUT M08-VGBQ-8743300007	1	EA	
49	G4004963	WIRING IR BURNER BBQ60	1	EA	
50	PB040146	1/2" X 3/8" FLARE ADAPTER (VGBQ)	1	EA	
51	PB020227	HIGH PRESSURE LP HOSE	1	EA	
52	PA070007	LP TANK REGULATOR (VGBQ)	1	EA	
53	N/A	L.P. TANK	1	EA	
54	PA010066	ROTIS VALVE (NAT.) (VGBQ)	1	EA	
Not Shown	PA010067	ROTIS VALVE (LP) (VGBQ)	1	EA	
55	PB040078	ORIFICE HOOD-#44 (NAT.)	1	EA	
Not Shown	PB040068	ORIFICE HOOD-#55 (LP)	1	EA	
56	PB040129	FTG.-ELBOW, 1/8NPT-5/16"C.C.	1	EA	
57	PB020096	48" 5/16 S.S. FLEX TUBING REPL F2003505	1	EA	
NI	PB040123	1/8 NPT FEMALE TO 3/8 CC COUPLING	1	EA	
NI	PB020096	48" 5/16 S.S. FLEX TUBING REPL F2003505	1	EA	

GRILL SUBASSY



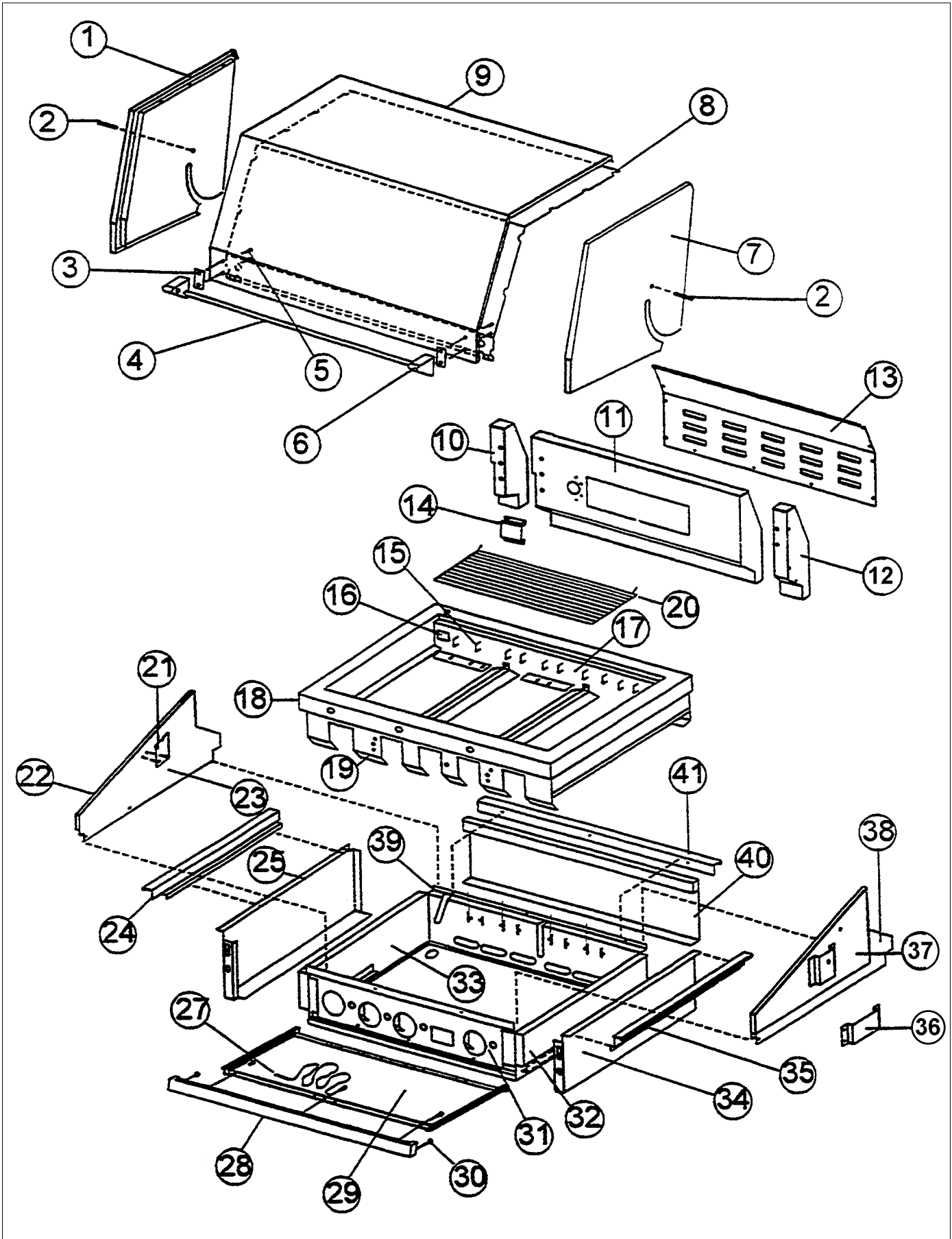


Item	Part No.	Name	Qty	Uom	NOTES
1	H3003763	CANOPY END SUBASSY LH BBQ	1	EA	NO LONGER AVAILABLE
2	PD010034	3/8" X 1" SHOULDER BOLT "SS"	1	EA	
3	PD040010	DOOR HANDLE SPACER	1	EA	
4	PE030040	DOOR/CNPY HNDLE - RPLCS PE930090	1	EA	NO LONGER AVAILABLE
Not Shown	PE030044PVD	CNPY HDLE 41/53 PVD F0005408	1	EA	NO LONGER AVAILABLE
5	PD020059	1/4-20 X 1/2 CAP SCREW SS	1	EA	
6	000268-000	HANDLE ENDCAP	1	EA	
Not Shown	PE030001PVD	END CAP DOOR HANDLE *BR	1	EA	
7	H3003762	CANOPY END SUBASSY RH BBQ	1	EA	NO LONGER AVAILABLE
8	B2003761	CANOPY HEAT SHIELD (VGBQ5304)	1	EA	
9	B2003760	CANOPY (VGBQ5304R)	1	EA	NO LONGER AVAILABLE, Not available online / Call for pricing and availability
Not Shown	B9003760FG	CANOPY BODY *FG*	1	EA	NO LONGER AVAILABLE, Not available online / Call for pricing and availability
Not Shown	B9003760GG	CANOPY - GG	1	EA	Not available online / Call for pricing and availability
Not Shown	B9003760VB	CANOPY BODY *VB*	1	EA	NO LONGER AVAILABLE, Not available online / Call for pricing and availability
10	B3003321	IR SUPT END LH - BBQ GRILL	1	EA	
11	G9103756	IR HOUSING ASSY (VGBQ53)	1	EA	
Not Shown	E9103765	IR HOUSING NO ROTIS.(VGBQ5304)	1	EA	NO LONGER AVAILABLE, Not available online / Call for pricing and availability
12	B3003320	IR SUPT END RH - BBQ GRILL	1	EA	





Item	Part No.	Name	Qty	Uom	NOTES
13	B2003758	REAR COVER (VGBQ5304R)	1	EA	NO LONGER AVAILABLE, Not available online / Call for pricing and availability
14	B2003319	THERMOCOUPLE / IGN. COVER-BBQ GRILL	1	EA	
15	B2001147	GRATE SUPT ANGLE (VGBQ) *SS*	1	EA	
16	NOT REPLACEABLE	REGULATOR LABEL	1	EA	
17	B2003755	REAR SHIELD (VGBQ5304R)	1	EA	NO LONGER AVAILABLE, Not available online / Call for pricing and availability
18	B2004234	53" GRILL FRAME	1	EA	NO LONGER AVAILABLE
19	B2003754	FRONT SHIELD (VGBQ5304R)	1	EA	NO LONGER AVAILABLE, Not available online / Call for pricing and availability
20	PB060037	WARMING RACK - (VGBQ5304R)	1	EA	
21	B2003307	ROTIS SADDLE - BBQ GRILL	1	EA	
22	G3003303	O/S WINDSHIELD LH-BBQ GRILL	1	EA	Not available online / Call for pricing and availability
23	B2004236	INSIDE WIND SHIELD L.H.	1	EA	NO LONGER AVAILABLE
24	B2003244	SIDE TRIM CAB. LH BBQ GRILL 48"	1	EA	NO LONGER AVAILABLE
25	B2003242	SIDE PANEL LH BBQ GRILL 48"	1	EA	NO LONGER AVAILABLE
26	NOT REPLACEABLE	RATING PLATE	1	EA	
27	G5004200	LIGHTING WAND ASSY (VGBQ)	1	EA	
28	B3003338	DRIP TRAY HANDLE - 53" BBQ GRILL	1	EA	Not available online / Call for pricing and availability
29	B2003339	DRIP TRAY BBQ GRILL 53"	1	EA	
30	PD040004	GROMMET BUMPER	1	EA	





Item	Part No.	Name	Qty	Uom	NOTES
31	B2003750	FRONT SUPT (53" FULL BBQ)	1	EA	NO LONGER AVAILABLE, Not available online / Call for pricing and availability
32	B2003236	BURNER BOX SIDE RH BBQ GRILL	1	EA	NO LONGER AVAILABLE
33	B2003237	BURNER BOX SIDE LH BBQ GRILL	1	EA	NO LONGER AVAILABLE
34	B2003241	SIDE PANEL RH BBQ GRILL 48"	1	EA	Not available online / Call for pricing and availability
35	B2003243	SIDE TRIM CAB. RH BBQ GRILL 48"	1	EA	NO LONGER AVAILABLE
36	B2003306	ROTIS MOUNTING BRKT-BBQ	1	EA	
37	G3003302	O/S WINDSHEILD RH-BBQ GRILL	1	EA	
38	B2004235	INSIDE WIND SHIELD R.H.	1	EA	NO LONGER AVAILABLE
39	B2003766	REAR SUPT (VGBQ5304)	1	EA	NO LONGER AVAILABLE, Not available online / Call for pricing and availability
40	B3003245	REAR PANEL BBQ GRILL 53"	1	EA	NO LONGER AVAILABLE, Not available online / Call for pricing and availability
41	B2003332	REAR TRIM BBQ GRILL 48"	1	EA	NO LONGER AVAILABLE, Not available online / Call for pricing and availability
NI	PK000010	RUNNER, DRIP TRAY - RH (VGRT)	1	EA	
NI	PK000009	Drip Tray Guide - LH	1	EA	
NI	PK000008	Drip Tray Guide - RH	1	EA	NO LONGER AVAILABLE
NI	PK000007	DRIP TRAY GUIDE - LH (VGRT)	1	EA	NO LONGER AVAILABLE



Appendix A:Pages Index

BURNER-GRATE ASSY	1
CONTROL-VALVE	2
GRILL SUBASSY	3



Appendix B:Parts Index

000268-000	3	B3003320	3
007905-000	1	B3003321	3
032881-000	1	B3003338	3
050172-000	2	B9003760FG	3
B1001138	2	B9003760GG	3
B1003295	2	B9003760VB	3
B2001147	3	B9203516	2
B2003236	3	B9203517	2
B2003237	3	E9103765	3
B2003241	3	E9107933	1
B2003242	3	F2003504	2
B2003243	3	F2003508	2
B2003244	3	G3003246	2
B2003261	2	G3003302	3
B2003270	1	G3003303	3
B2003272	2	G3103323	2
B2003273	1	G3203341	2
B2003296	2	G3203346	1
B2003306	3	G4004963	2, 2
B2003307	3	G5004200	3
B2003318	2	G5004548	1
B2003319	3	G9103756	3
B2003332	3	H3003762	3
B2003339	3	H3003763	3
B2003340	2	PA010039	2
B2003507	2	PA010053	2
B2003545	2	PA010054	2
B2003546	1	PA010066	2, 2
B2003750	3	PA010067	2, 2
B2003754	3	PA020022	2
B2003755	3	PA020023	2
B2003758	3	PA050033	2
B2003760	3	PA050056	2
B2003761	3	PA070005	2
B2003766	3	PA070006	2
B2003791	1	PA070007	2
B2004234	3	PB010142	2
B2004235	3	PB010143	2
B2004236	3	PB010156	2
B3003245	3	PB010158	2
		PB010159	2



PB010162	2	PE070184	1
PB010172	2	PE070189	1
PB020096	2, 2	PK000007	3
PB020227	2	PK000008	3
PB040046	2	PK000009	3
PB040052	2	PK000010	3
PB040063	2		
PB040068	2		
PB040078	2		
PB040084	2		
PB040122	1, 2		
PB040123	2		
PB040124	2		
PB040125	2		
PB040127	2		
PB040129	2		
PB040130	2, 2		
PB040131	2		
PB040132	2		
PB040146	2		
PB040147	2		
PB050054	1		
PB060036	1		
PB060037	3		
PB060049	1		
PD010034	3		
PD020004	2		
PD020056	2, 2		
PD020059	3		
PD020062	2		
PD020067	2		
PD030006	2		
PD030048	2		
PD030049	2		
PD030050	2		
PD040004	3		
PD040010	3		
PE030001PVD	3		
PE030039	1		
PE030040	3		
PE030044PVD	3		