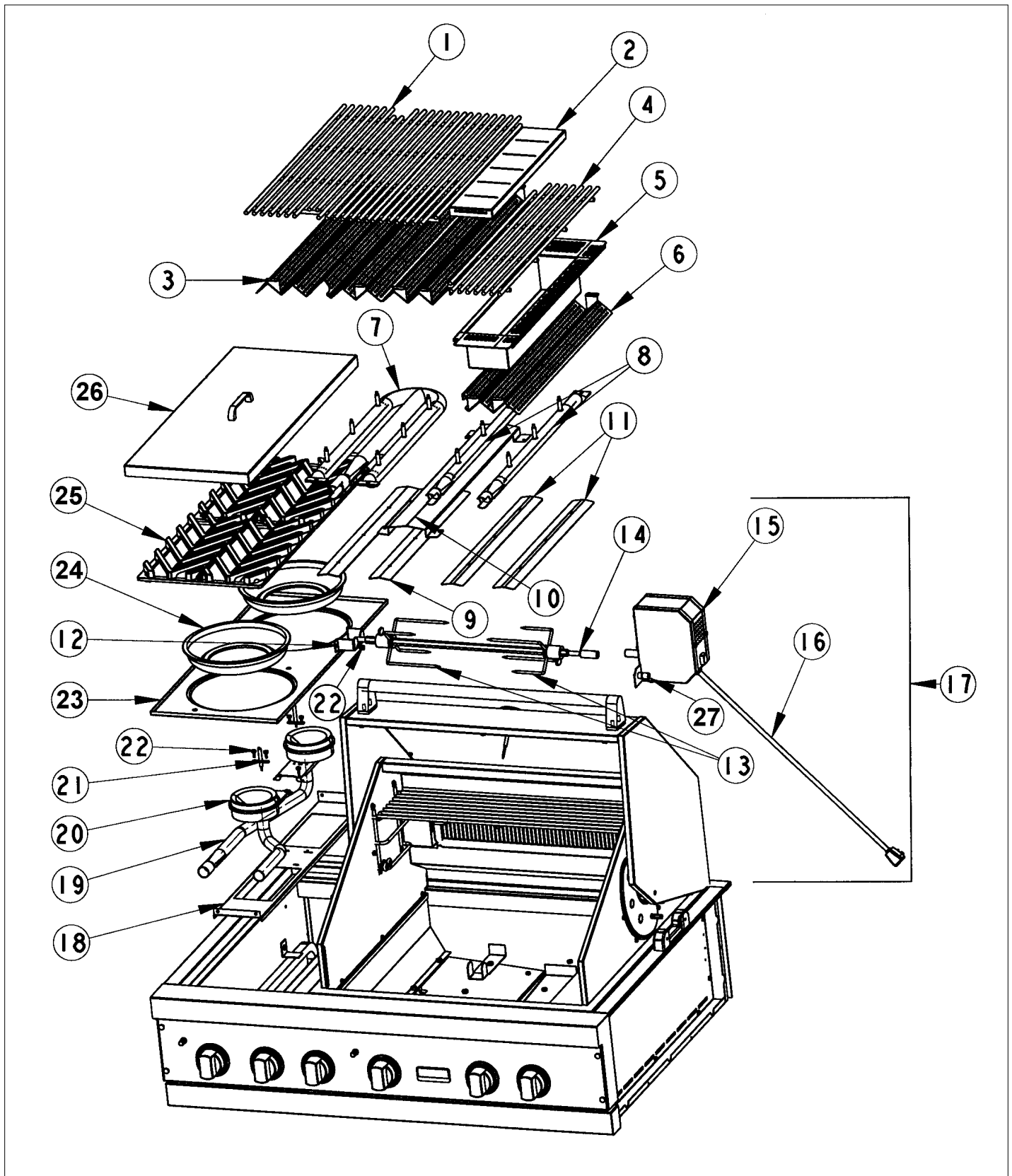


VGBQ4122RT

BURNER-GRATE ASSEMBLY	1
CONTROL-VALVE ASSEMBLY	2
GRILL SUBASSEMBLY	3
WIRING	4
WIRING CONT.	5
Appendix A:Pages Index	A
Appendix B:Parts Index	B

BURNER-GRADE ASSEMBLY





Item	Part No.	Name	Qty	Uom	NOTES
1	PA060052	Full Grill Grate	1	EA	
1	PA060068	FULL GRATE *SS*	1	EA	
2	B3005325	SUB TO 027596-000		EA	NO LONGER AVAILABLE
3	G5009726	HALF FLAVOR GRID KIT		EA	
4	PA060053	1/2 Grill Grate	2	EA	
4	PA060069	Half Grate SS	2	EA	
5	B2005326	SUB TO 027596-000		EA	NO LONGER AVAILABLE, Not available online / Call for pricing and availability
6	PK010061	1/2 Flavor Grid		EA	
7	PA080050	Grill Burner		EA	
8	PA080051	Smoker Burner		EA	
9	B2004921	Burner Drip Shield		EA	

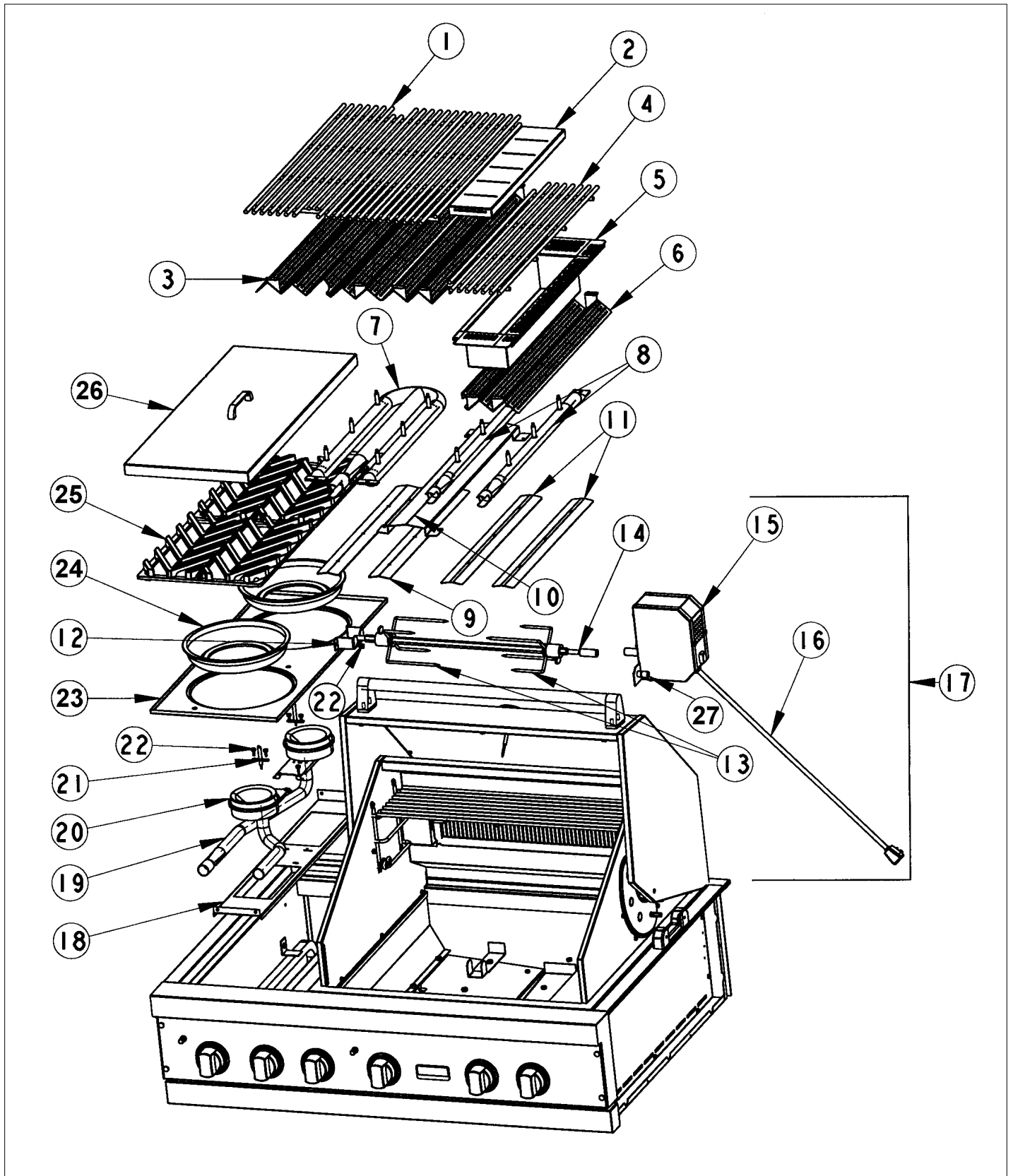
Comments for Part Num. B2004921

vharding68@verizon.net on Jul 25, 2017

PART NUMBER FOR THE NUTS (TOTAL 18) FOR ALL 4 SHIELDS IS PD030060 KEPS NUT (10-32)

I BELIEVE THE PD030044 KEPS NUT (10-24) ARE FOR A DIFFERENT PART OF THE UNIT.

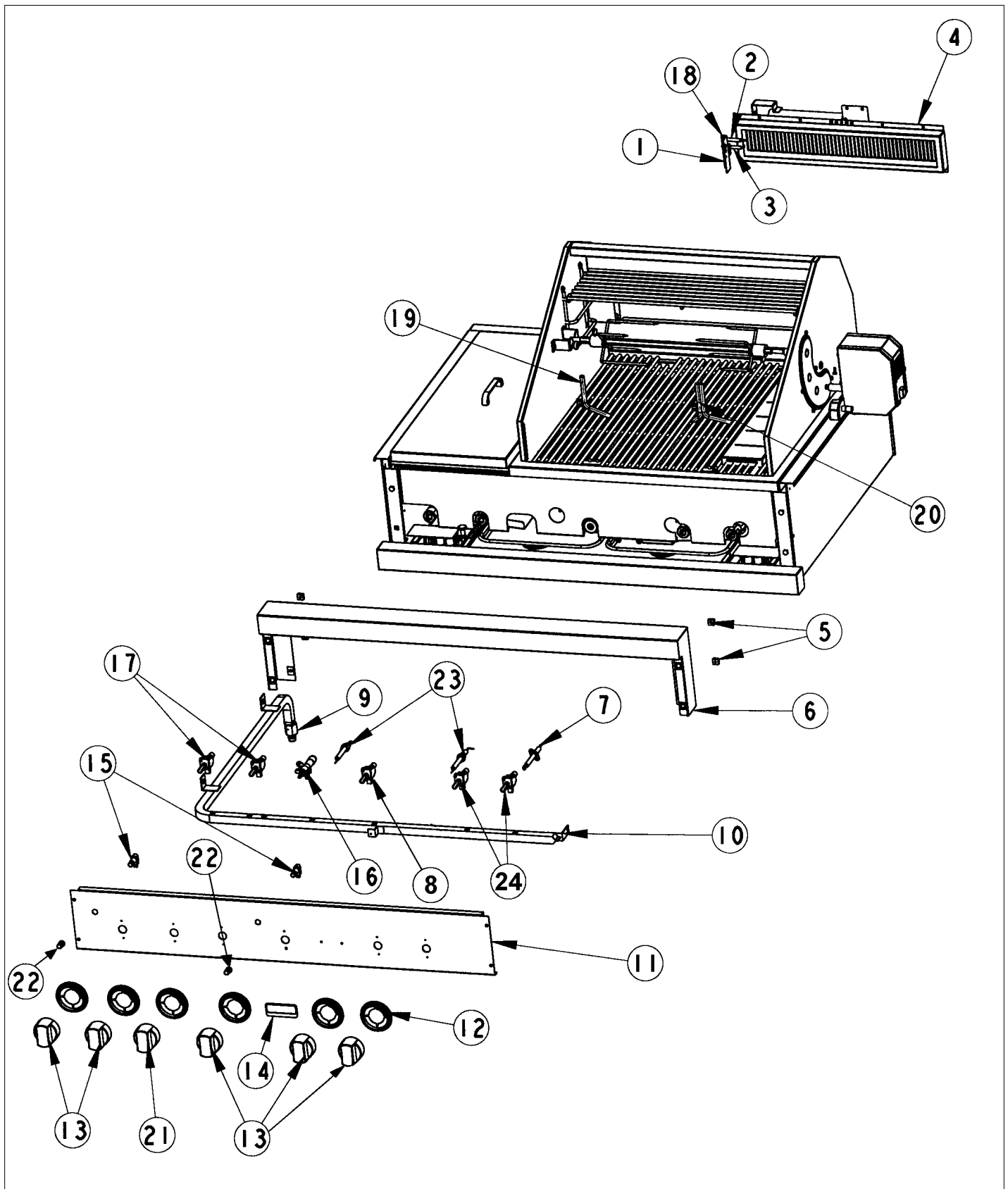
10	B2005246	BURNER BOX SHIELD (PHASE 2)		EA	
11	B2005324	Burner Drip Shield		EA	
12	B2005278	ROTISSERIE ROLLER BRACKET (PHASE 2)	1	EA	
NI	PC020025	DRIP TRAY WHEEL	2	EA	
NI	PD020082	10 X 24 COUNTERSUNK S.S. SCREW	2	EA	
13	032881-000	FORK, RTSR		EA	
14	PB060054	ROTIS SPIT ROD 30"		EA	
15	PE070184	ROTISSERIE MOTOR		EA	
16	PE070189	ELECTRICAL SUPPLY CORD - BBQ GRILL		EA	
17	G3205282	ROTIS MOTOR ASSEMBLY (PHASE 2)		EA	
18	B2005260	PHASE II BURNER SUPPORT		EA	
19	PA080053	REAR TOP BURNER		EA	





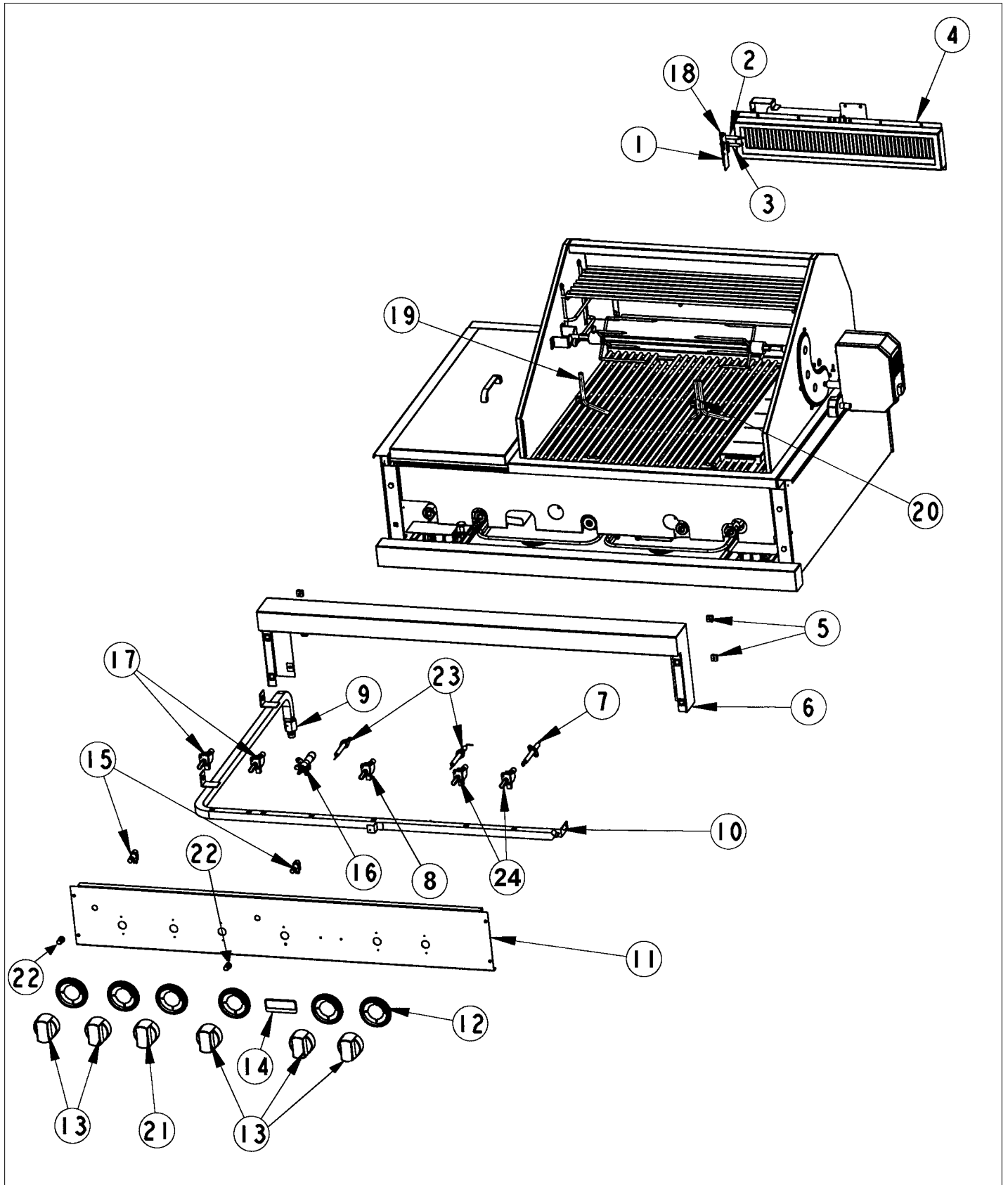
Item	Part No.	Name	Qty	Uom	NOTES
20	PA080052	FRONT BURNER		EA	
21	PA020028	SPARK IGNITER		EA	
22	PD020055	' #10 X 1/2" PAN PHIL. TEK.*SS*		EA	
23	B2105291	PHASE II GRATE SUPPORT 41		EA	NO LONGER AVAILABLE
24	PA030002SS	BURNER BOWL (VGBQ) *SS*		EA	
25	PA060051	GRILL V GRATE (PHASE 2)		EA	
26	G5007416	BURNER COVER ASSEMBLY - NLA		EA	
27	PD010090	ROTIS FASTENER KNOB		EA	
#	027596-000	BOX, SMOKER ASM		EA	
Not Shown	NOTE	Includes:		EA	
Not Shown	NOTE	Smoker Box Top (Item 2)		EA	
Not Shown	NOTE	Smoker Box Bottom (Item 5)		EA	
Not Shown	NOTE	Smoker Box Hinge		EA	
Not Shown	NOTE	Steamer Rack		EA	

CONTROL-VALVE ASSEMBLY





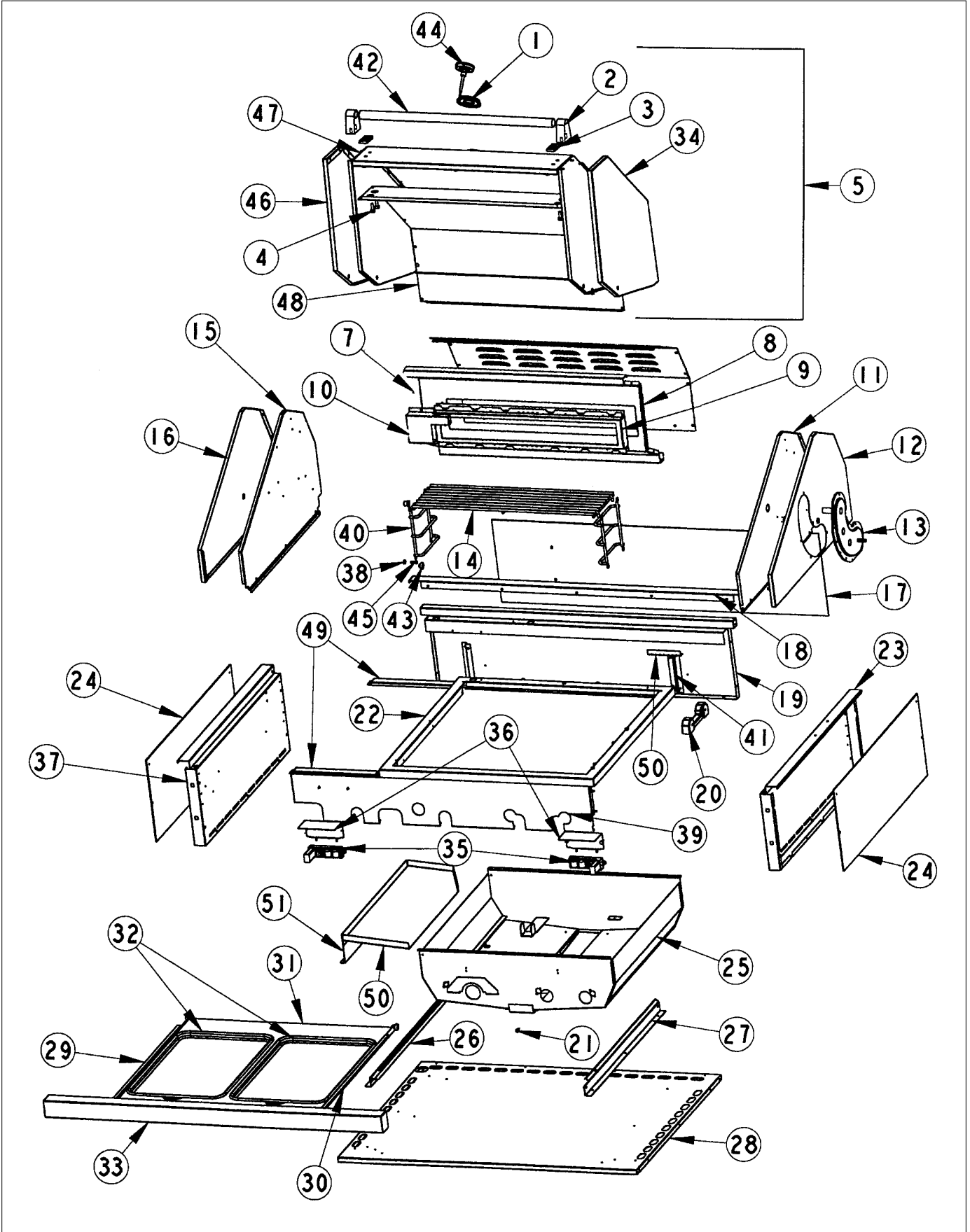
Item	Part No.	Name	Qty	Uom	NOTES
1	B2005271	IR IGNITOR BRACKET (PHASE 2)		EA	
2	PB010162	THERMOCOUPLE - BBQ GRILL W/ ROTIS		EA	
3	PB040122	IGNITOR FOR (BBQ GRILL) (1647-89)		EA	
4	G3005289	I/R Burner Assy		EA	
5	PD030050	10-24 CAGE NUT *SS*		EA	
6	PK010064	LANDING LEDGE (VGBQ41) T SERIES		EA	NO LONGER AVAILABLE
7	008091-000	PB040288 IGNITOR KIT		EA	
8	003516-000	GRILL VALVE NAT. (7,600-25,000 BTU)		EA	
Not Shown	G50010142	GRILL VALVE/KNOB SERVICE KIT (NAT.)		EA	
PA010150	003538-000	PA010150 VALVE AND BOLT KIT		EA	
Not Shown	G50010143	GRILL VALVE/KNOB SERVICE KIT (L.P.)		EA	
#	PB040235	1/2"NPT TO 3/8" FLARE COUPLING		EA	
#	PB040146	1/2" X 3/8" FLARE ADAPTER (VGBQ)		EA	
9	023653-000	Nipple-Coupler Assy		EA	
10	PA050069	PHASE2 41" MANIFOLD		EA	
11	B9205321	CTRL PAN (VGBQ4122RT) PHASE 2		EA	
12	050172-000	BEZEL, KNOB		EA	
Not Shown	PB010209	Bezel - BR		EA	
13	PA010097	GRILL BURNER KNOB		EA	
Not Shown	NOTE	(BEFORE 06/28/02)		EA	
Not Shown	PA010126	OUTDOOR GRILL KNOB		EA	
Not Shown	NOTE	(ON OR AFTER 06/28/02)		EA	
14	PE010142	3" VIKING LOGO BLACK/CHROME		EA	
Not Shown	PE010143	3" LOGO BK/BR		EA	



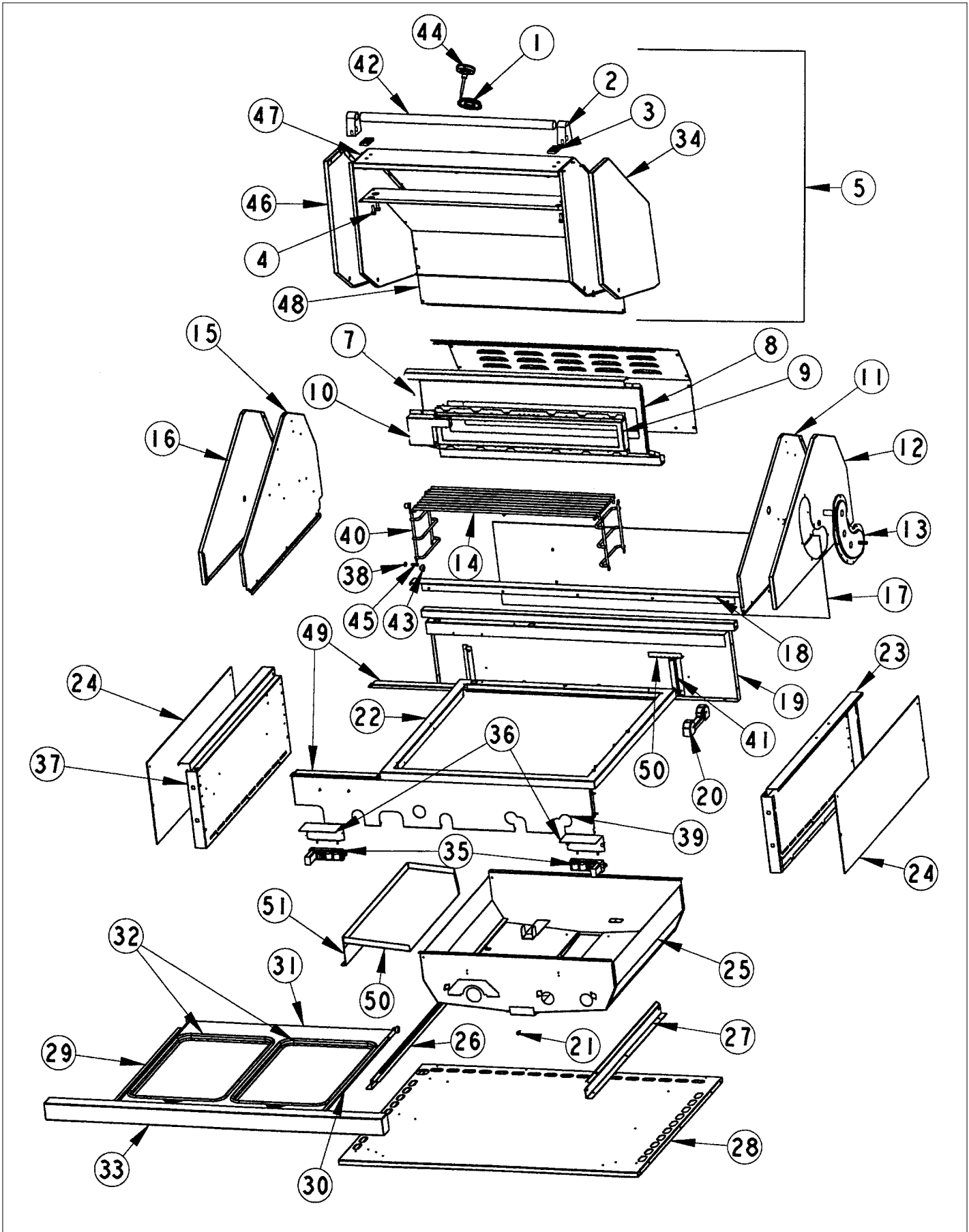


Item	Part No.	Name	Qty	Uom	NOTES
15	PE050063	SPARKER SWITCH (PHASE 2)		EA	
16	046328-000	NATURAL ROTIS VALVE - KNOB KIT		EA	
PB010220	046329-000	LP ROTIS VALVE - KNOB KIT		EA	
17	003539-000	GRILL VALVE L.P. (3,700-13,500 BTU)		EA	
Not Shown	G50010141	SIDE BURNER VALVE/KNOB SERVICE KIT (L.P.)		EA	
Not Shown	PA010151	GRILL VALVE NAT. (1,800-15,000 BTU)		EA	
Not Shown	G50010140	SIDE BURNER VALVE/KNOB SERVICE KIT (NAT.)		EA	
18	PD030048	THERMCOUPLE NUT M08-VGBQ-8743300007		EA	
19	PB020114	FLASH TUBE (VGBQ3002T)		EA	
20	PB020115	SMOKER FLASH TUBE		EA	
21	PA010088	ROTIS. BURNER KNOB		EA	
22	PB010163	OVEN LIGHT SWITCH KNOB *BK* (VESO/D		EA	
23	008090-000	PB040287 IGNITOR KIT		EA	
24	003533-000	GRILL VALVE NAT. (5,000-12,500 BTU)		EA	
Not Shown	G50010144	SMOKER VALVE/KNOB SERVICE KIT (NAT.)		EA	
PA010154	003573-000	GRILL VALVE L.P. (5,000-10,500 BTU)		EA	
Not Shown	G50010145	SMOKER VALVE/KNOB SERVICE KIT (L.P.)		EA	
#	PB020096	48" 5/16 S.S. FLEX TUBING REPL F2003505		EA	
#	G3004936	REGULATOR ASSY - NAT (P1 GRILL)		EA	
#	G3004937	REGULATOR ASSY - L.P. W/HOSE		EA	

GRILL SUBASSEMBLY

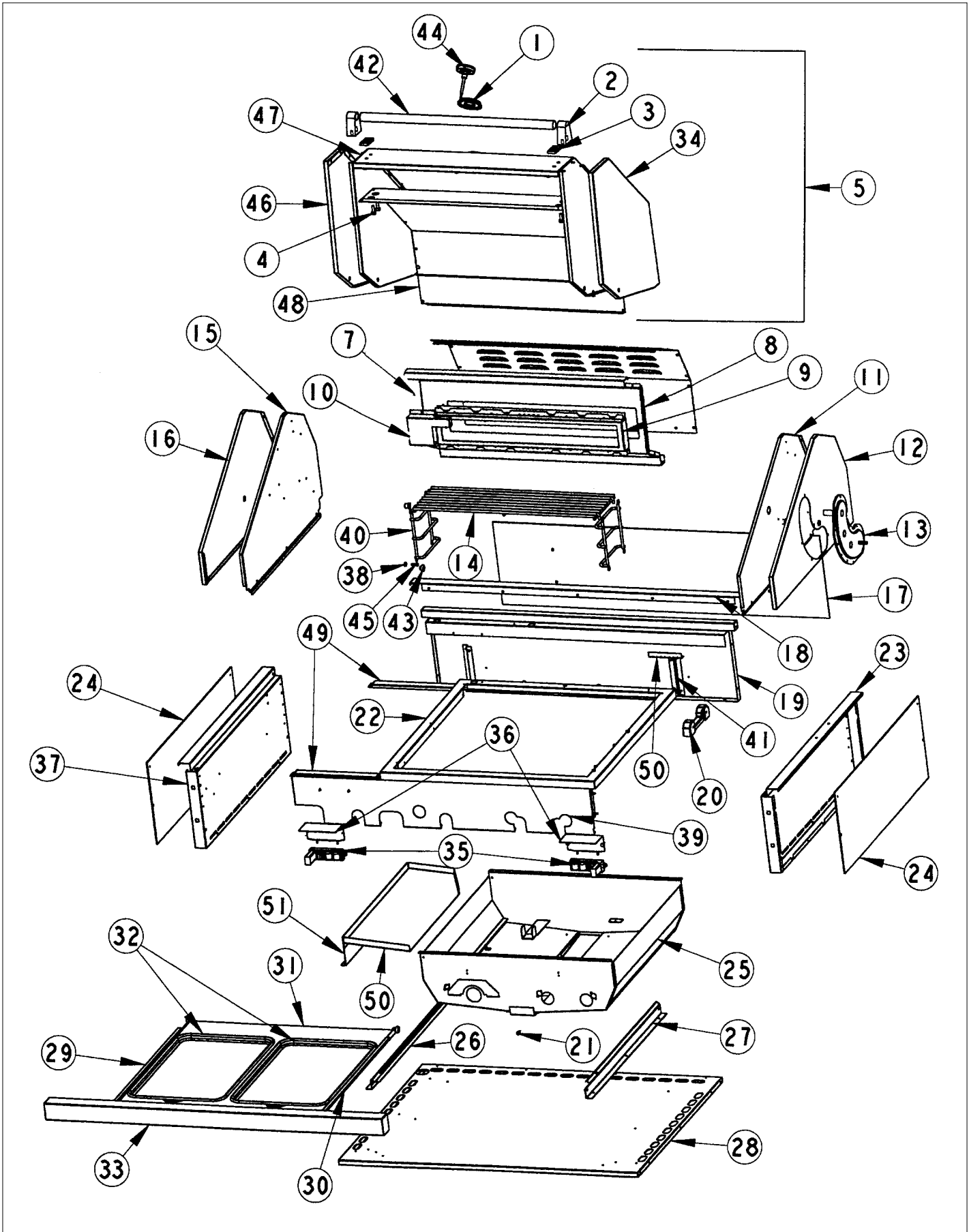


Item	Part No.	Name	Qty	Uom	NOTES
1	PB010192	THERMOSTAT BEZEL	1	EA	
Not Shown	PB010212	THERMOSTAT BEZEL BRASS	1	EA	
2	000268-000	HANDLE ENDCAP	1	EA	
Not Shown	PE030001PVD	END CAP DOOR HANDLE *BR	1	EA	
3	PD040010	DOOR HANDLE SPACER	1	EA	
4	PD020069	CAP SCREW 1/4-20 X 3/4 SS	1	EA	
5	G3205304FG	CANOPY ASSY 30 (P2 GRILL) *FG*	1	EA	NO LONGER AVAILABLE
Not Shown	G3205304FGBR	CANOPY ASSY 30 (P2 GRILL) *FG*BR*	1	EA	NO LONGER AVAILABLE, Not available online / Call for pricing and availability
Not Shown	G3205304GG	CANOPY ASSY 30 (P2 GRILL) *GG*	1	EA	NO LONGER AVAILABLE, Not available online / Call for pricing and availability
Not Shown	G3205304GGBR	CANOPY ASSY 30 (P2 GRILL) *GG*BR*	1	EA	NO LONGER AVAILABLE, Not available online / Call for pricing and availability
Not Shown	G3205304SS	CANOPY ASSY 30 (P2 GRILL) *SS*	1	EA	
Not Shown	G3205304SSBR	CANOPY ASSY 30 (P2 GRILL) *SS*BR*	1	EA	NO LONGER AVAILABLE, Not available online / Call for pricing and availability
Not Shown	G3205304VB	CANOPY ASSY 30 (P2 GRILL) *VB*	1	EA	NO LONGER AVAILABLE, Not available online / Call for pricing and availability
Not Shown	G3205304VBBR	CANOPY ASSY 30 (P2 GRILL) *VB*BR*	1	EA	NO LONGER AVAILABLE, Not available online / Call for pricing and availability
6	B2005281	REAR COVER - 30" (PHASE 2)	1	EA	
7	E9105393	30"" FRONT HOUSING TOP	1	EA	
8	G91015522	FRONT HOUSING ASSY (VGIQ3002RT)	1	EA	
9	B2005347	I/R Frame	1	EA	



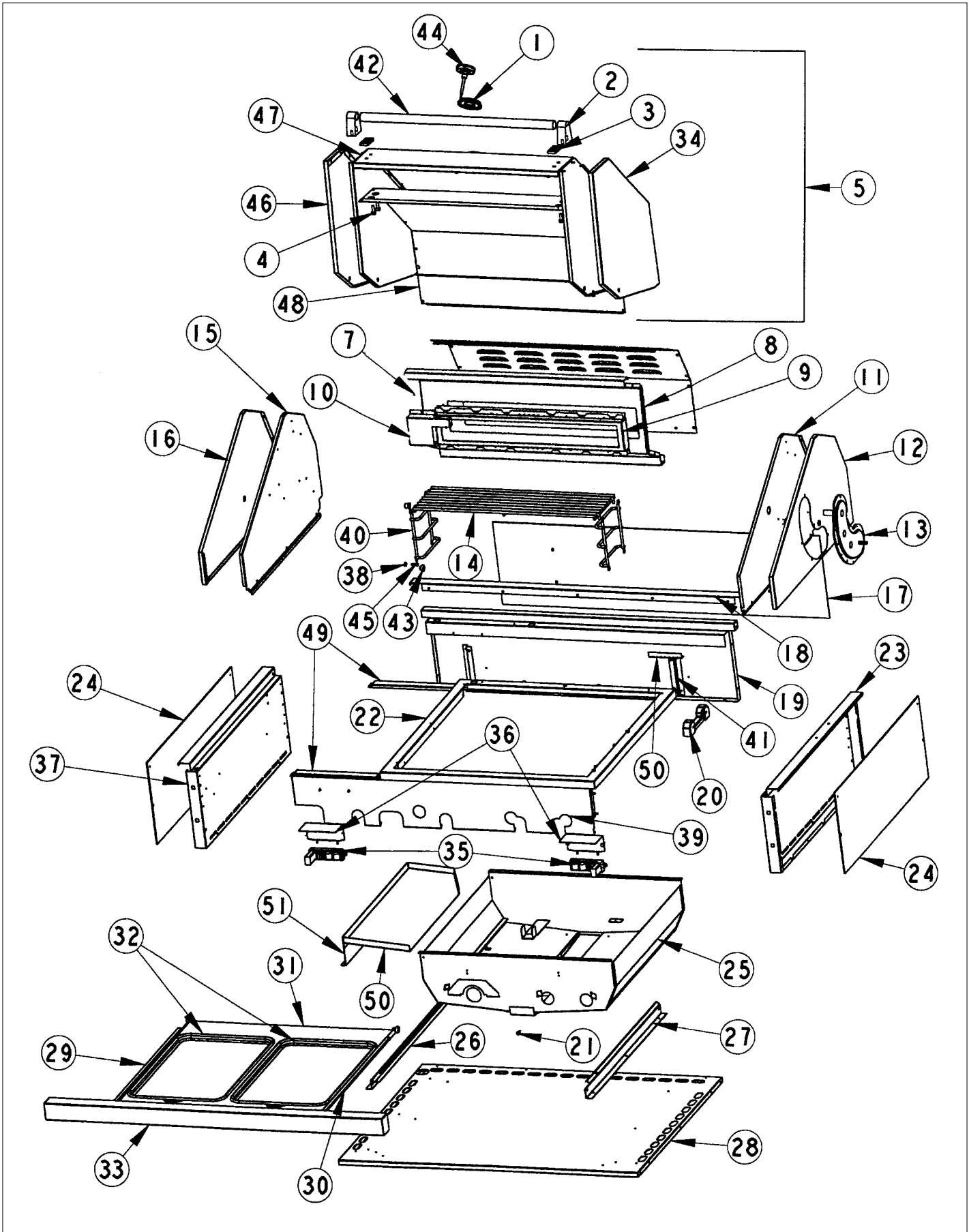


Item	Part No.	Name	Qty	Uom	NOTES
10	B2005273	I/R Igniter Cover	1	EA	
11	B2005263	I/S Windshield - RH	1	EA	Not available online / Call for pricing and availability
12	G5005256	O/S Windshield Assy - RH	1	EA	Not available online / Call for pricing and availability
13	G3105387	Gear Box Assembly	1	EA	Not available online / Call for pricing and availability
14	PB060057	WARMING RACK 30	1	EA	
15	B2005264	I/S Windshield - LH	1	EA	
16	G5005257	O/S Windshield Assy - LH	1	EA	
17	L1004881	Rear Heat Shield	1	EA	
18	B20010116	GRILL BOX TRIM - 41	1	EA	
19	B2005206	Grill Box Back	1	EA	Not available online / Call for pricing and availability
20	PB060055	Rotis. Mount Casting	1	EA	
21	PD020055	' #10 X 1/2" PAN PHIL. TEK.*SS*	1	EA	
22	B2005231	GRILL FRAME 30 (PHASE 2)	1	EA	Not available online / Call for pricing and availability
23	B2005203	Grill Box Side - RH	1	EA	
24	L1005399	REAR HEAT SHIELD 30""	1	EA	NO LONGER AVAILABLE
25	G3005232	BURNER BOX ASSY 53RH (PHASE 2)	1	EA	
26	G3005214	DRIP TRAY SLIDE - LH	1	EA	
27	G3005215	DRIP TRAY SLIDE - RH	1	EA	
28	B2005201	GRILL BOX BOTTOM 41 (PHASE 2)	1	EA	NO LONGER AVAILABLE, Not available online / Call for pricing and availability
29	B2005317	DRIP TRAY RUNNER LH (PHASE 2)	1	EA	
30	B2005316	DRIP TRAY RUNNER RH	1	EA	



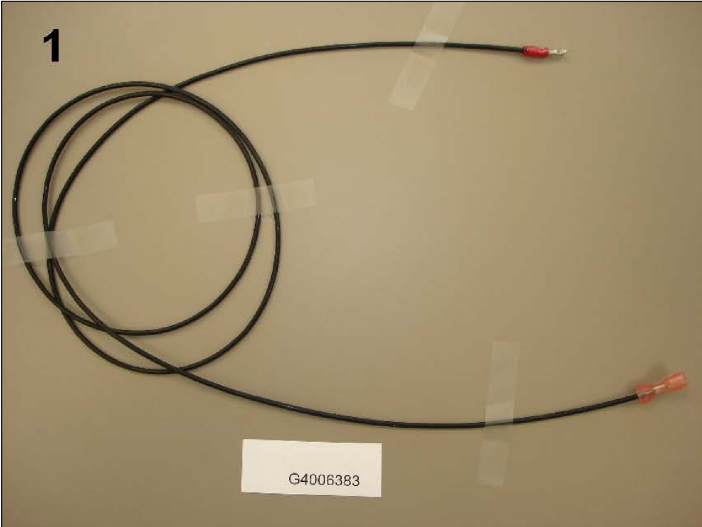


Item	Part No.	Name	Qty	Uom	NOTES
31	B2005311	DRIP TRAY 41 SIDE	1	EA	
32	J2101749	GREASE PAN	1	EA	
33	B3005314	41" DRIP TRAY HANDLE (PHASE 2)	1	EA	
34	B3005292	CANOPY END RH (PHASE 2)	1	EA	
35	PA020036	SPARK MODULE	1	EA	
Not Shown	G5007971	SPARK MODULE KIT	1	EA	
36	B2005250	SPARK MODULE BRACKET (PHASE 2)	1	EA	
37	B2005204	Grill Box Side - LH	1	EA	
38	PD030044	10-24 KEPS NUT *SS*	1	EA	
39	B2005219	GRILL BOX FRONT-S.B.41 - PHASE 2	1	EA	NO LONGER AVAILABLE
40	002453-000	WARMING RACK SUPPORT SERVICE KIT	1	EA	
41	B2006305	HEAT SHIELD BRACKET	1	EA	
42	PE030041	DOOR HANDLE (CANOPY) *SS* (VGBQ30)	1	EA	
Not Shown	PE030045PVD	CANOPY HANDLE (30") PVD	1	EA	NO LONGER AVAILABLE, Not available online / Call for pricing and availability
43	PC020025	DRIP TRAY WHEEL	1	EA	
44	PB010337	GRILL THERMOMETER	1	EA	
45	PD020082	10 X 24 COUNTERSUNK S.S. SCREW	1	EA	
46	B3005293	CANOPY END LH (PHASE 2)	1	EA	
47	B2005298	GRILL CANOPY 30 (PHASE 2)	1	EA	
Not Shown	B9005298FG	CANOPY BODY *FG* VGBQ3002T	1	EA	NO LONGER AVAILABLE, Not available online / Call for pricing and availability
Not Shown	B9005298GG	CANOPY BODY *GG* VGBQ3002T	1	EA	NO LONGER AVAILABLE, Not available online / Call for pricing and availability





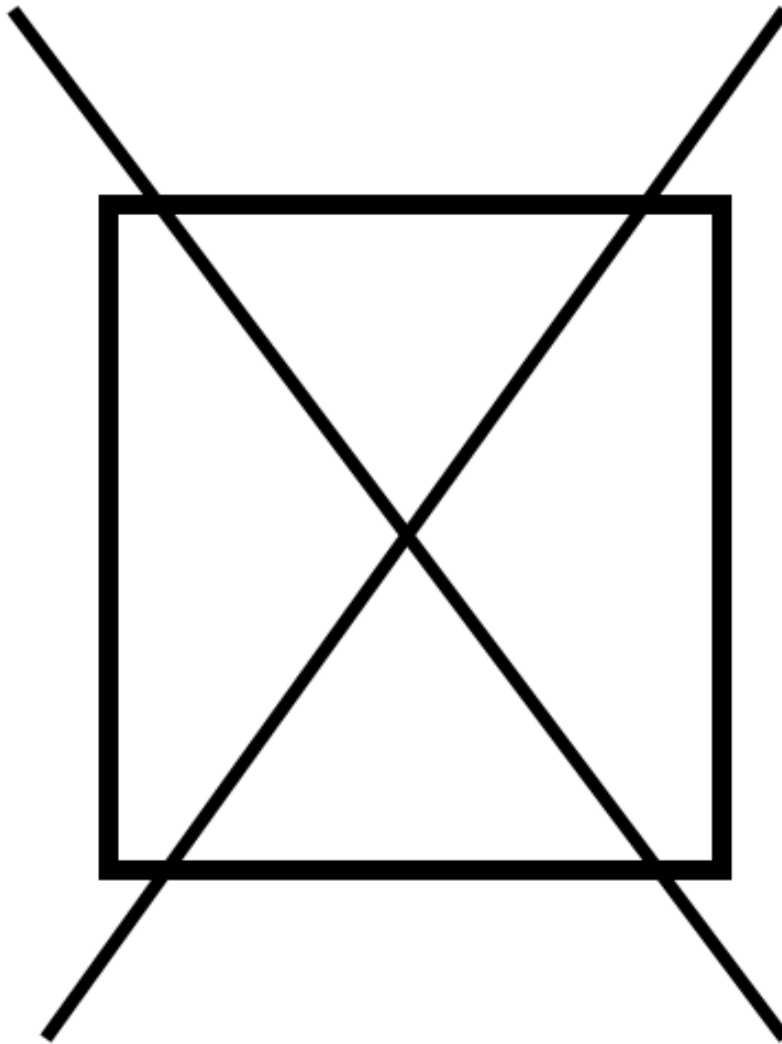
Item	Part No.	Name	Qty	Uom	NOTES
Not Shown	B9005298VB	CANOPY BODY *VB* VGBQ3002T	1	EA	NO LONGER AVAILABLE, Not available online / Call for pricing and availability
48	B2005301	CANOPY HEAT SHIELD - (PHASE 2)	1	EA	
49	B2006340	GRATE SUPPORT BRACKET	1	EA	
50	B2005390	GREASE DIVERTER (PHASE 2)	1	EA	NO LONGER AVAILABLE, Not available online / Call for pricing and availability
51	B2005259	SIDE BURNER DRIP SHIELD	1	EA	NO LONGER AVAILABLE, Not available online / Call for pricing and availability
#	G4006381	WIRE ASSY (VGBQ-T SERIES) 15"	1	EA	
#	G4006382	WIRE ASSY (VGBQ-T SERIES) 30"	1	EA	
#	G4006383	WIRE ASSY (VGBQ-T SERIES) 50"	1	EA	
#	G4006384	WIRE ASSY (VGBQ-T SERIES) 7" NOT FIELD REPLACEABLE	1	EA	
#	G4006377	WIRE ASSY (VGBQ-T SERIES) 15"	1	EA	
#	G4006376	WIRE ASSY (VGBQ-T SERIES) 10"	1	EA	
#	G4006379	WIRE ASSY (VGBQ-T SERIES) 25"	1	EA	
#	G4006380	WIRE ASSY (VGBQ-T SERIES) 15"	1	EA	
#	G3205307	41" DRIP TRAY ASSY W/SIDE BURNER	1	EA	
NI	PD010043	5/16INCH SHOULDER BOLT (PHASE 2)	2	EA	





Item	Part No.	Name	Qty	Uom	NOTES
1	G4006383	WIRE ASSY (VGBQ-T SERIES) 50"	1	EA	
2	G4006376	WIRE ASSY (VGBQ-T SERIES) 10"	1	EA	
3	G4006380	WIRE ASSY (VGBQ-T SERIES) 15"	1	EA	
4	G4006384	WIRE ASSY (VGBQ-T SERIES) 7" NOT FIELD REPLACEABLE	1	EA	

NON
ILLUSTRATED PART





Item	Part No.	Name	Qty	Uom	NOTES
1	G4006377	WIRE ASSY (VGBQ-T SERIES) 15"	1	EA	
2	G4006379	WIRE ASSY (VGBQ-T SERIES) 25"	1	EA	
3	G4006381	WIRE ASSY (VGBQ-T SERIES) 15"	1	EA	
4	G4006382	WIRE ASSY (VGBQ-T SERIES) 30"	1	EA	



Appendix A:Pages Index

BURNER-GRATE ASSEMBLY	1
CONTROL-VALVE ASSEMBLY	2
GRILL SUBASSEMBLY	3
WIRING	4
WIRING CONT.	5



Appendix B:Parts Index

000268-000	3	B2005347	3
002453-000	3	B2005390	3
003516-000	2	B2006305	3
003533-000	2	B2006340	3
003538-000	2	B2105291	1
003539-000	2	B3005292	3
003573-000	2	B3005293	3
008090-000	2	B3005314	3
008091-000	2	B3005325	1
023653-000	2	B9005298FG	3
027596-000	1	B9005298GG	3
032881-000	1	B9005298VB	3
046328-000	2	B9205321	2
046329-000	2	E9105393	3
050172-000	2	G3004936	2
B20010116	3	G3004937	2
B2004921	1	G3005214	3
B2005201	3	G3005215	3
B2005203	3	G3005232	3
B2005204	3	G3005289	2
B2005206	3	G3105387	3
B2005219	3	G3205282	1
B2005231	3	G3205304FG	3
B2005246	1	G3205304FGBR	3
B2005250	3	G3205304GG	3
B2005259	3	G3205304GGBR	3
B2005260	1	G3205304SS	3
B2005263	3	G3205304SSBR	3
B2005264	3	G3205304VB	3
B2005271	2	G3205304VBRR	3
B2005273	3	G3205307	3
B2005278	1	G4006376	3, 4
B2005281	3	G4006377	3, 5
B2005298	3	G4006379	3, 5
B2005301	3	G4006380	3, 4
B2005311	3	G4006381	3, 5
B2005316	3	G4006382	3, 5
B2005317	3	G4006383	3, 4
B2005324	1	G4006384	3, 4
B2005326	1	G50010140	2
		G50010141	2



G50010142	2	PB040235	2
G50010143	2	PB060054	1
G50010144	2	PB060055	3
G50010145	2	PB060057	3
G5005256	3	PC020025	1, 3
G5005257	3	PD010043	3
G5007416	1	PD010090	1
G5007971	3	PD020055	1, 3
G5009726	1	PD020069	3
G91015522	3	PD020082	1, 3
J2101749	3	PD030044	3
L1004881	3	PD030048	2
L1005399	3	PD030050	2
PA010088	2	PD040010	3
PA010097	2	PE010142	2
PA010126	2	PE010143	2
PA010151	2	PE030001PVD	3
PA020028	1	PE030041	3
PA020036	3	PE030045PVD	3
PA030002SS	1	PE050063	2
PA050069	2	PE070184	1
PA060051	1	PE070189	1
PA060052	1	PK010061	1
PA060053	1	PK010064	2
PA060068	1		
PA060069	1		
PA080050	1		
PA080051	1		
PA080052	1		
PA080053	1		
PB010162	2		
PB010163	2		
PB010192	3		
PB010209	2		
PB010212	3		
PB010337	3		
PB020096	2		
PB020114	2		
PB020115	2		
PB040122	2		
PB040146	2		