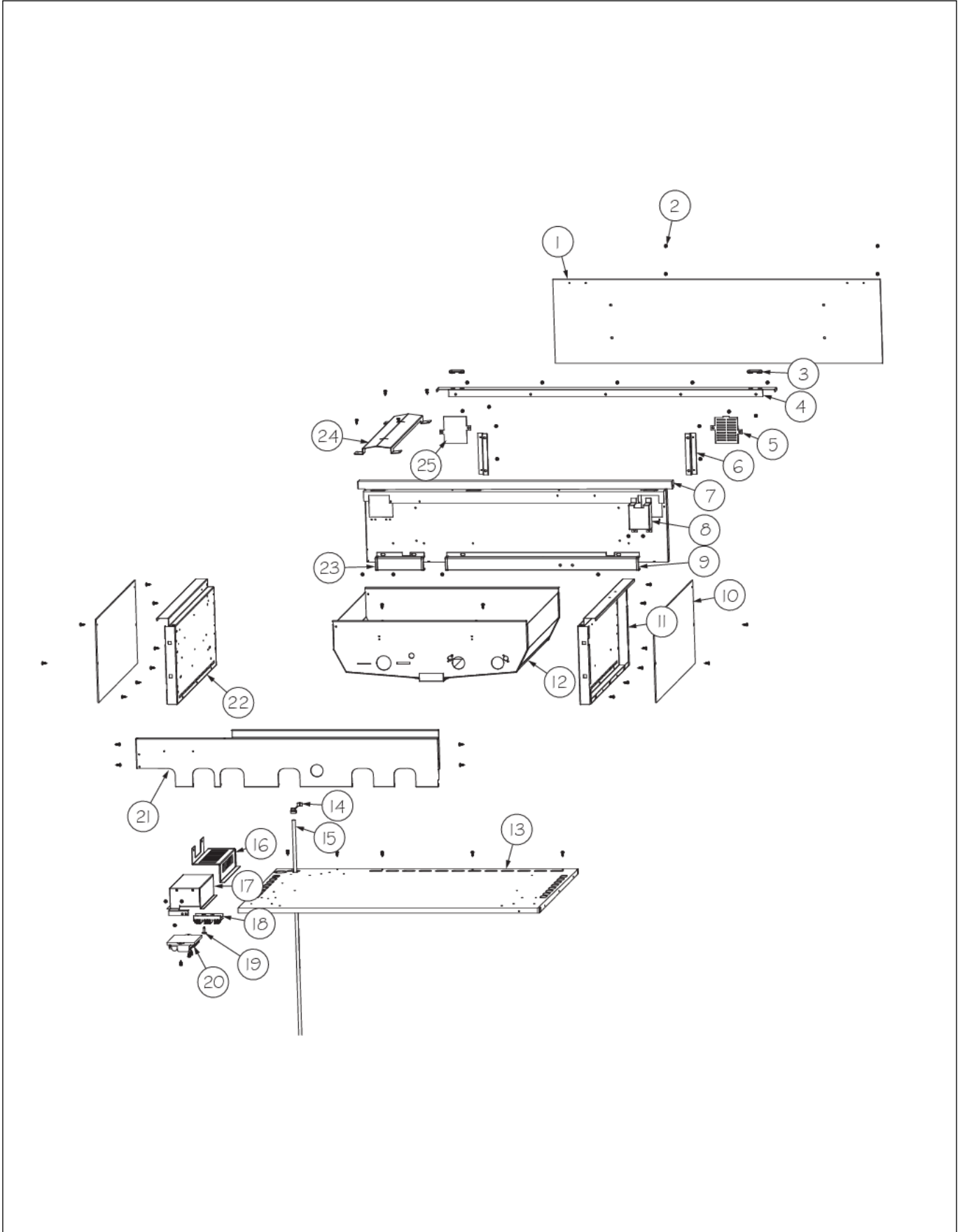


VGBQ4122RE1

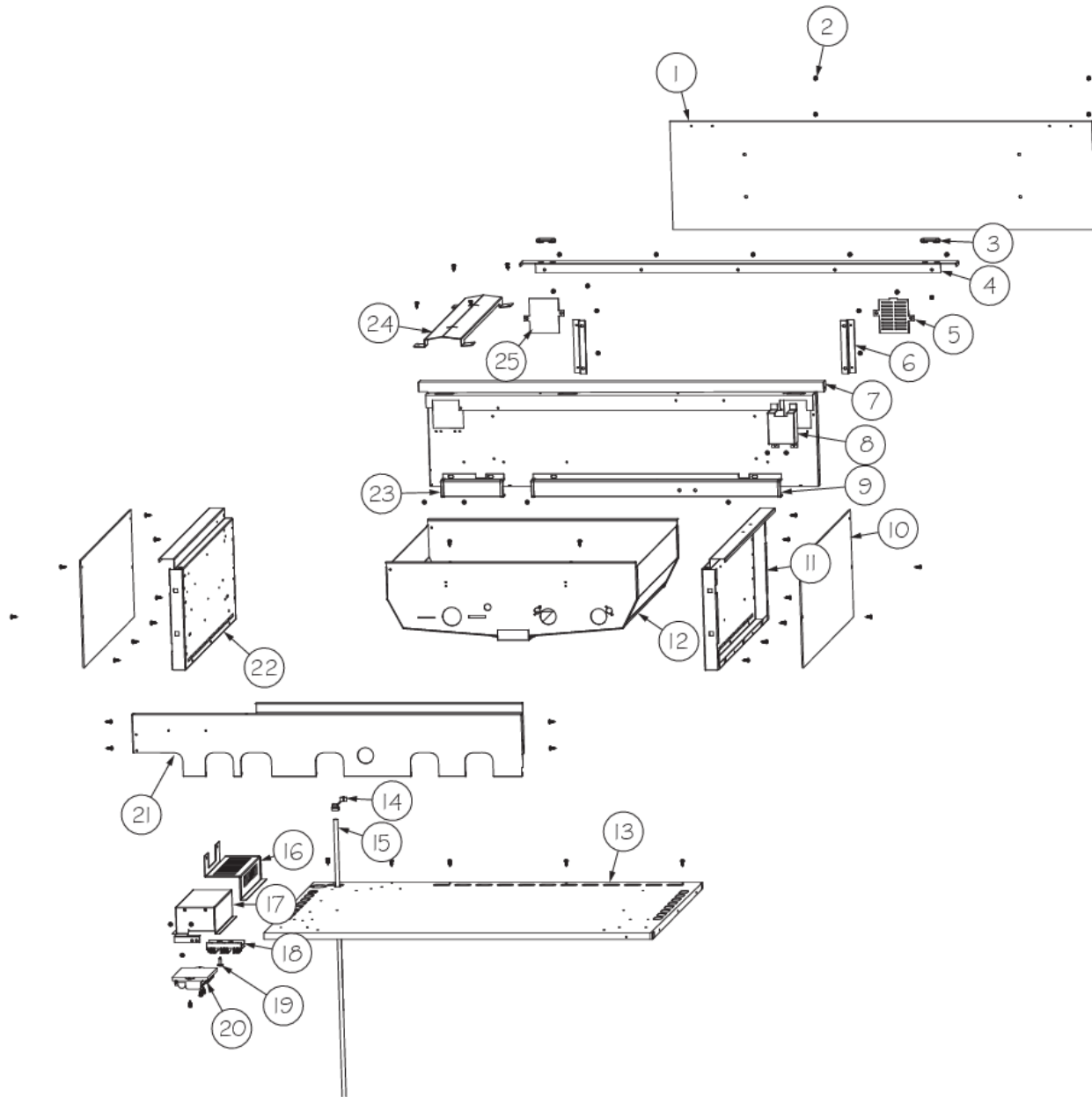
| | |
|--------------------------------------|----|
| BURNER BOX AREA | 1 |
| BURNER GRATE AREA | 2 |
| CANOPY ASSEMBLY | 3 |
| CONTROL AREA | 4 |
| DRIP TRAY | 5 |
| LP GAS REGULATOR ASSEMBLY | 6 |
| NATURAL GAS REGULATOR ASSEMBLY | 7 |
| ROTISSERIE BURNER AREA | 8 |
| ROTISSERIE MOTOR ASSEMBLY | 9 |
| SIDE BURNER AREA | 10 |
| UPPER GRILL AREA | 11 |
| WIRING | 12 |
| Appendix A:Pages Index | A |
| Appendix B:Parts Index | B |

BURNER BOX AREA





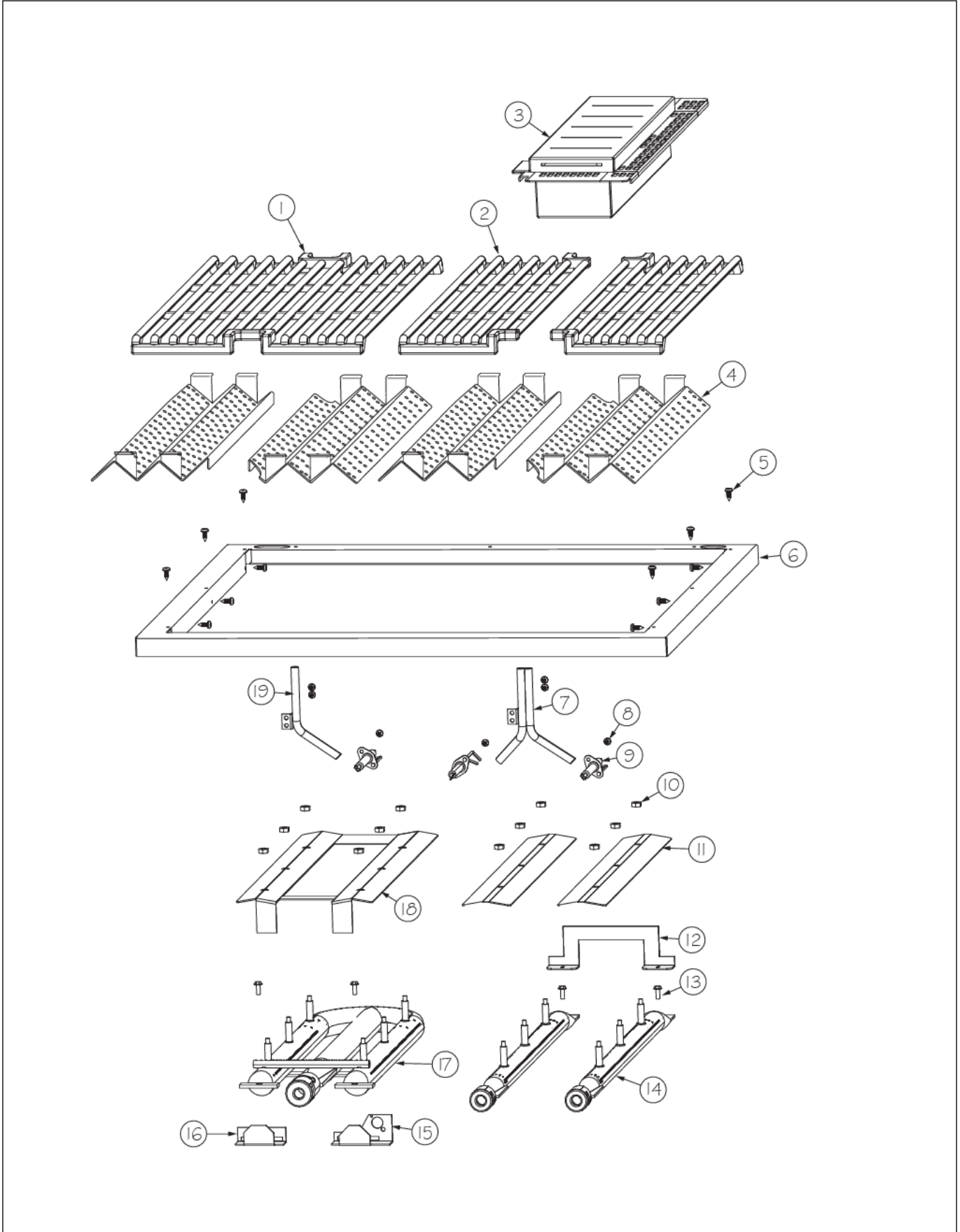
| Item | Part No. | Name | Qty | Uom | NOTES |
|------|------------|--------------------------------------|-----|-----|--|
| 1 | L1004881 | Rear Heat Shield | 1 | EA | |
| 2 | PD020055 | ' #10 X 1/2" PAN PHIL. TEK.*SS* | 58 | EA | |
| 3 | 002671-000 | RUBBER DOOR BUMPER | 2 | EA | |
| 4 | 003857-000 | 4103 GRILL REAR TRIM | 1 | EA | |
| 5 | 002353-000 | GRILL PLUG VENT | 1 | EA | NO LONGER AVAILABLE, Not available online / Call for pricing and availability |
| 6 | B2006305 | HEAT SHIELD BRACKET | 2 | EA | |
| 7 | B20015512 | GRILL BOX BACK 41" | 1 | EA | |
| 8 | 002355-000 | GRILL RECEPTACLE BOX | 1 | EA | |
| 9 | A20015411 | GRILL WIRE CHANNEL - 41" REAR | 1 | EA | |
| 10 | L1005398 | Side Heat Shield | 2 | EA | |
| 11 | B2005203 | Grill Box Side - RH | 1 | EA | |
| 12 | 008409-000 | BURNER BOX, ASM, RH | 1 | EA | NOT FIELD REPLACEABLE, Not available online / Call for pricing and availability |
| 13 | B20015509 | GRILL BOX BOTTOM 41" | 1 | EA | |
| 14 | PD040044 | SNAP THRU BUSHING 1/4"DIA CORD | 1 | EA | |
| 15 | PE070791 | GRILL POWER SUPPLY CORD (8 FT) | 1 | EA | |
| 16 | 004089-000 | POWER CORD SHIELD | 1 | EA | |
| 17 | B30015553 | 0+6 SPARK MODULE TERMINAL HOUSING | 1 | EA | |
| 18 | PE070855 | E SERIES TERMINAL BLOCK | 1 | EA | |
| 19 | PD020014 | 10X3/4 PH TR HD SMS | 1 | EA | |
| 20 | PA020048 | Spark Module (6B /6G/ 4Q) | 1 | EA | |
| 21 | 009290-000 | SUPPORT, GRL, FR, 412 | 1 | EA | |
| 22 | B2005204 | Grill Box Side - LH | 1 | EA | |
| 23 | A20015412 | GRILL WIRE CHANNEL - 42" SHORT | 1 | EA | |
| 24 | B2005246 | BURNER BOX SHIELD (PHASE 2) | 1 | EA | |





| Item | Part No. | Name | Qty | Uom | NOTES |
|------|------------|-------------------------------|-----|-----|---|
| 25 | 002354-000 | GRILL PLUG PLATE | 1 | EA | NO LONGER AVAILABLE, Not available online / Call for pricing and availability |
| NI | 019962-000 | SERVICE POWER CORD SHIELD KIT | 1 | EA | |

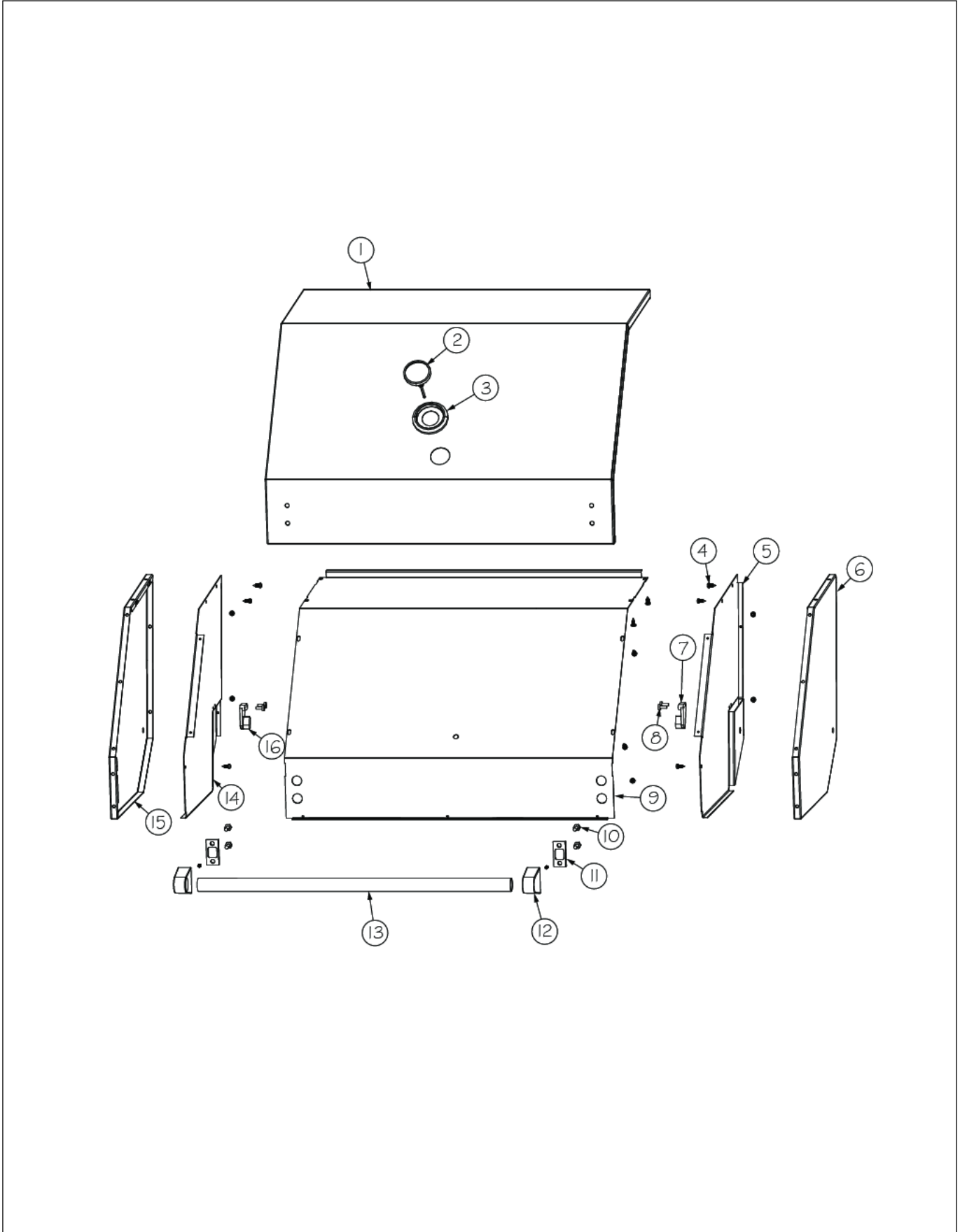
BURNER GRATE AREA





| Item | Part No. | Name | Qty | Uom | NOTES |
|------|------------|------------------------------------|-----|-----|-------|
| 1 | 002369-000 | REDESIGN BBQ GRATE - FULL | 1 | EA | |
| 2 | 002370-000 | REDESIGN BBQ GRATE - HALF | 2 | EA | |
| 3 | 027596-000 | BOX, SMOKER ASM | 1 | EA | |
| 4 | PK010061 | 1/2 Flavor Grid | 4 | EA | |
| 5 | PD020055 | ' #10 X 1/2" PAN PHIL. TEK.*SS* | 12 | EA | |
| 6 | B20015516 | GRILL FRAME 30" | 1 | EA | |
| 7 | PB020115 | SMOKER FLASH TUBE | 1 | EA | |
| 8 | 008026-000 | SCREW, TEK, #6-20 x 3/8, S.S. | 7 | EA | |
| 9 | 008091-000 | PB040288 IGNITOR KIT | 3 | EA | |
| 10 | PD030060 | #10-32 KEPS NUT SS | 12 | EA | |
| 11 | 006757-000 | SMOKER DRIP SHIELD | 2 | EA | |
| 12 | B2005248 | FRONT BURNER BRACKET (PHASE 2) | 1 | EA | |
| 13 | PD020048 | NO.10 X 1/2 TEK 410 SS SCREW | 4 | EA | |
| 14 | PA080051 | Smoker Burner | 1 | EA | |
| 15 | 008181-000 | BRCKT, IGNITOR, MT. | 1 | EA | |
| 16 | 006011-000 | GRILL BURNER FRONT BRACKET | 1 | EA | |
| 17 | 004276-000 | OUTDOOR GRILL U-BURNER | 1 | EA | |
| 18 | 007676-000 | DRIP SHIELD, U | 1 | EA | |
| 19 | PB020115 | SMOKER FLASH TUBE | 1 | EA | |

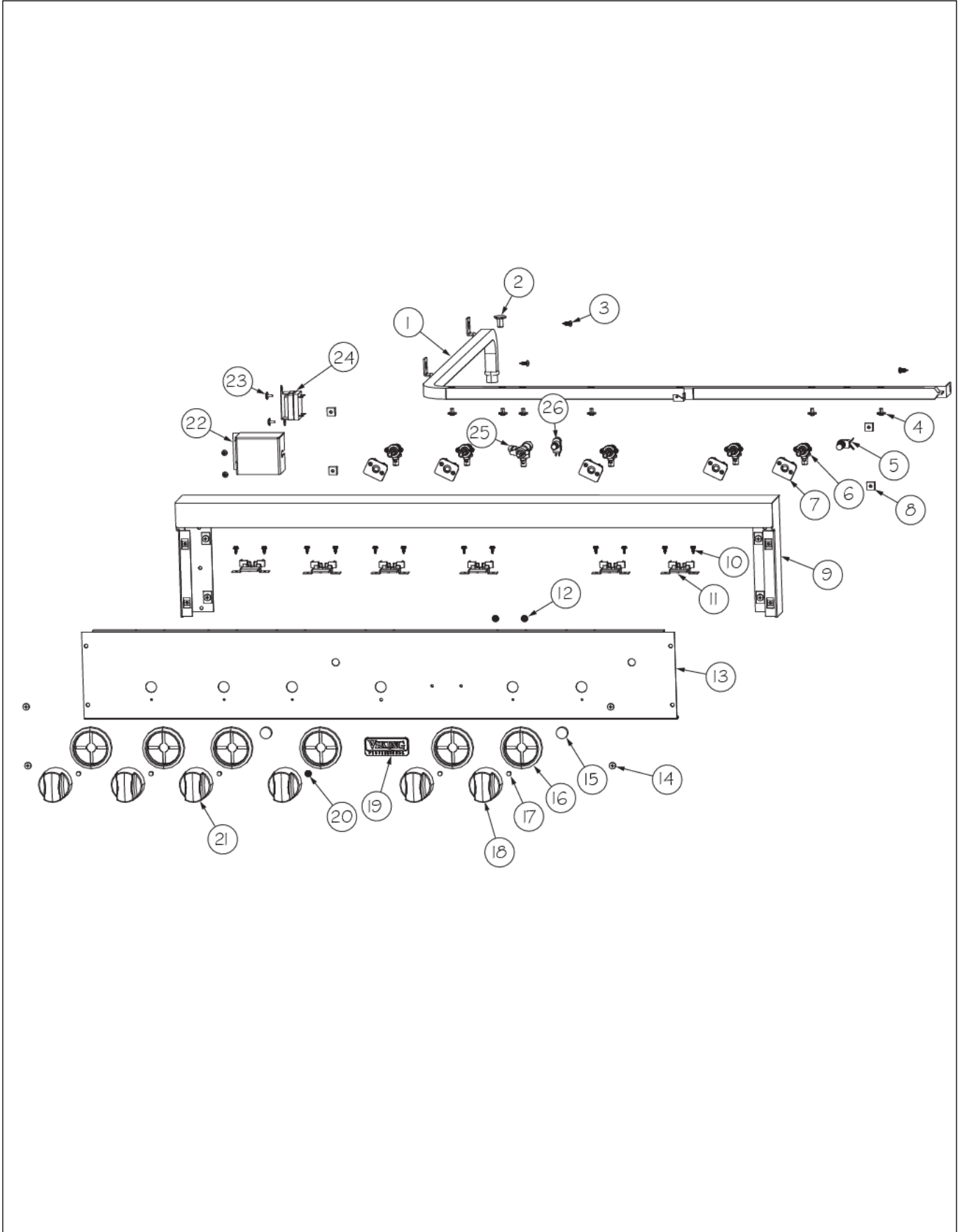
CANOPY ASSEMBLY





| Item | Part No. | Name | Qty | Uom | NOTES |
|------|------------|---------------------------------------|-----|-----|---|
| 1 | 003634-000 | 30" OUTER CANOPY | 1 | EA | |
| 2 | PB010337 | GRILL THERMOMETER | 1 | EA | |
| 3 | 003366-000 | THERMOSTAT BEZEL | 1 | EA | |
| 4 | PD020055 | ' #10 X 1/2" PAN PHIL. TEK.*SS* | 21 | EA | |
| 5 | 007379-000 | GRILL CANOPY INSIDE RH | 1 | EA | Not available online / Call for pricing and availability |
| 6 | 003630-000 | GRILL CANOPY OUTSIDE RH | 1 | EA | |
| 7 | 007215-000 | CANOPY SPRING END MOUNT- RH | 1 | EA | |
| 8 | PD020056 | ' #10-24 X 1/2" PH.TR. M.S. *SS* | 4 | EA | |
| 9 | 003635-000 | 30" CANOPY HEAT SHIELD | 1 | EA | |
| 10 | PD020069 | CAP SCREW 1/4-20 X 3/4 SS | 4 | EA | |
| 11 | PD040010 | DOOR HANDLE SPACER | 2 | EA | |
| 12 | 000268-000 | HANDLE ENDCAP | 2 | EA | |
| 13 | PE030041 | DOOR HANDLE (CANOPY) *SS* (VGBQ30) | 2 | EA | |
| 14 | 003633-000 | GRILL CANOPY INSIDE LH | 1 | EA | |
| 15 | 003632-000 | GRILL CANOPY OUTSIDE LH | 1 | EA | Not available online / Call for pricing and availability |
| 16 | 005941-000 | CANOPY SPRING END MOUNT- LH | 1 | EA | |

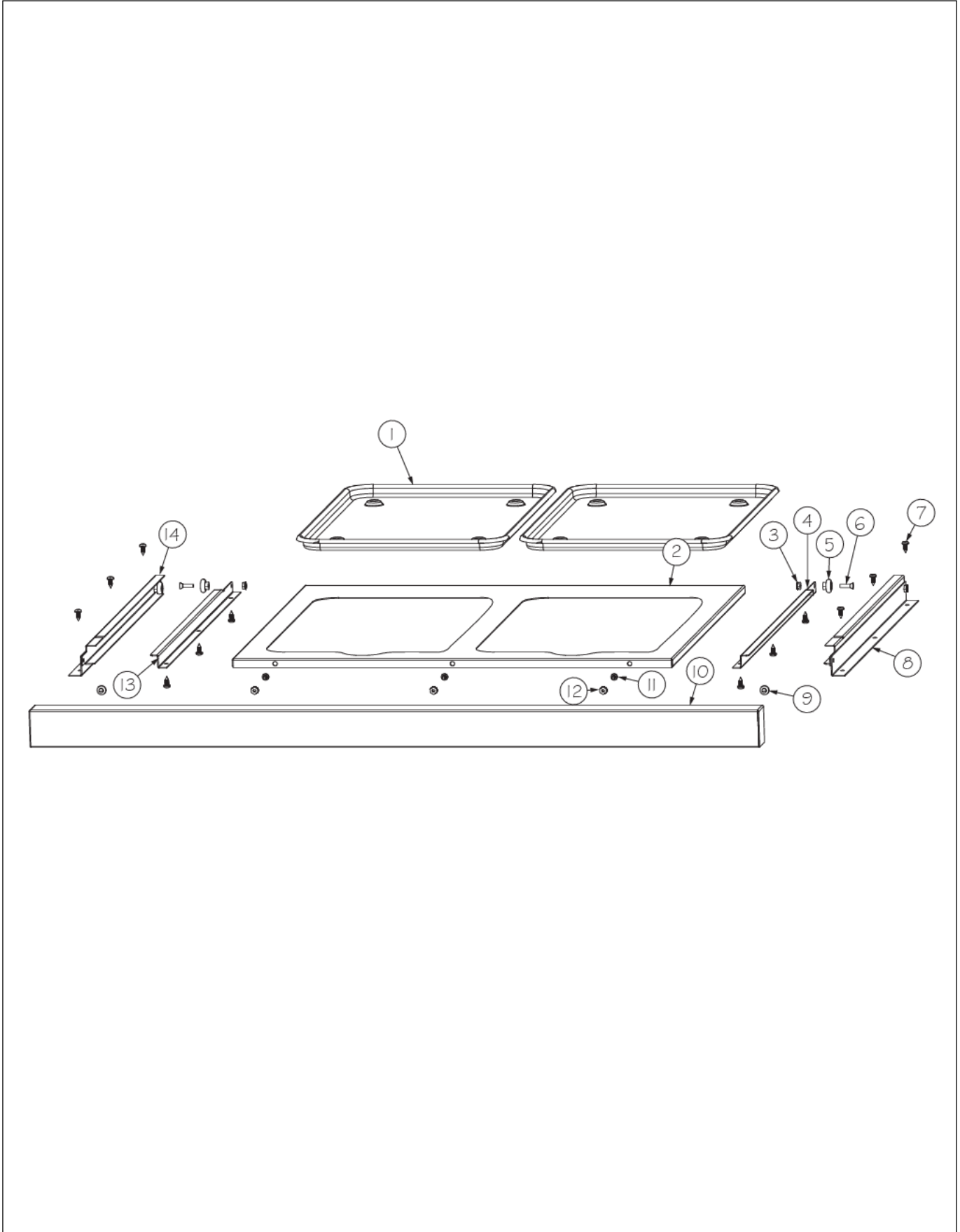
CONTROL AREA





| Item | Part No. | Name | Qty | Uom | NOTES |
|------|------------|--|-----|-----|------------------------|
| 1 | PA050069 | PHASE2 41" MANIFOLD | 1 | EA | |
| 2 | 002884-000 | MANIFOLD PLUG | 1 | EA | |
| 3 | PD020055 | ' #10 X 1/2" PAN PHIL. TEK.*SS* | 1 | EA | |
| 4 | PD010012 | 1/4 x 3/8 VALVE BOLT | 1 | EA | |
| 5 | PE050019 | OVEN LIGHT SWITCH (VGSO166) 90-DEG. | 1 | EA | |
| 6 | 006390-000 | GAS VALVE - NAT. | 1 | EA | |
| 7 | PA020045 | Spark Ignition Switch | 1 | EA | |
| 8 | PD030050 | 10-24 CAGE NUT *SS* | 1 | EA | |
| 9 | PK010064 | LANDING LEDGE (VGBQ41) T SERIES | 1 | EA | NO LONGER AVAILABLE |
| 10 | 008026-000 | SCREW, TEK, #6-20 x 3/8, S.S. | 1 | EA | |
| 11 | 005999-000 | LED BOARD ASSEMBLY | 1 | EA | |
| 12 | PD030006 | CAPPED WASHER PAL NUT | 1 | EA | |
| 13 | 006290-000 | VGBQ4122RE1 CONTROL PANEL | 1 | EA | |
| 14 | PD020056 | ' #10-24 X 1/2" PH.TR. M.S. *SS* | 1 | EA | |
| 15 | PB010163 | OVEN LIGHT SWITCH KNOB *BK* (VESO/D | 1 | EA | |
| 16 | 050172-000 | BEZEL, KNOB | 1 | EA | |
| 17 | PD020067 | ' #6 X 3/8" PAN PHIL. TEK *SS* | 1 | EA | |
| 18 | 003561-000 | OUTDOOR GRILL KNOB | 1 | EA | |
| 19 | PE010142 | 3" VIKING LOGO BLACK/CHROME | 1 | EA | |
| 20 | PD020046 | ' #8 X 1/2 SCREWS | 1 | EA | |
| 21 | 003563-000 | ROTIS BURNER KNOB | 1 | EA | |
| 22 | 007657-000 | PROT. COVER | 1 | EA | |
| 23 | PD020073 | SRW #10 X 24 X 3/8 WAFER HD TYPE23 | 1 | EA | |
| 24 | 006021-000 | SCE, PWR, LED, 12VAC | 1 | EA | |
| 25 | 046328-000 | NATURAL ROTIS VALVE - KNOB KIT | 1 | EA | |
| 26 | PE050063 | SPARKER SWITCH (PHASE 2) | 1 | EA | |

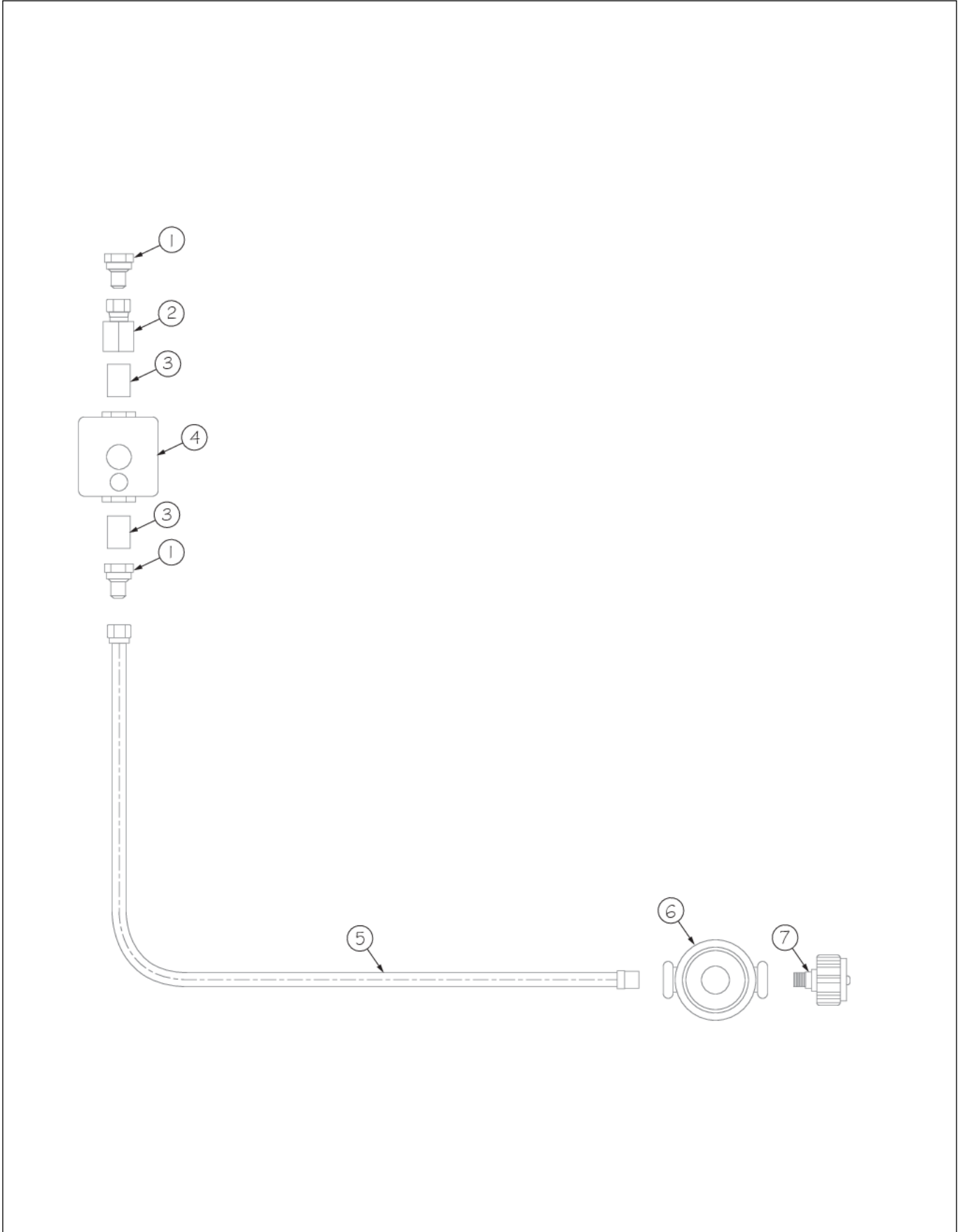
DRIP TRAY





| Item | Part No. | Name | Qty | Uom | NOTES |
|------|----------|-------------------------------------|-----|-----|---|
| 1 | J2101749 | GREASE PAN | 2 | EA | |
| 2 | B2005311 | DRIP TRAY 41 SIDE | 1 | EA | |
| 3 | PD030044 | 10-24 KEPS NUT *SS* | 2 | EA | |
| 4 | B2005316 | DRIP TRAY RUNNER RH | 1 | EA | |
| 5 | PC020025 | DRIP TRAY WHEEL | 2 | EA | |
| 6 | PD020082 | 10 X 24 COUNTERSUNK S.S. SCREW | 2 | EA | |
| 7 | PD020055 | ' #10 X 1/2" PAN PHIL. TEK.*SS* | 9 | EA | |
| 8 | G3005214 | DRIP TRAY SLIDE - LH | 1 | EA | |
| 9 | PD04004 | SNAP THRU BUSHING 1/4"DIA CORD | 2 | EA | Not available online / Call for pricing and availability |
| 10 | B3005314 | 41" DRIP TRAY HANDLE (PHASE 2) | 1 | EA | |
| 11 | PD020056 | ' #10-24 X 1/2" PH.TR. M.S. *SS* | 3 | EA | |
| 12 | PD030044 | 10-24 KEPS NUT *SS* | 3 | EA | |
| 13 | B2005317 | DRIP TRAY RUNNER LH (PHASE 2) | 1 | EA | |
| 14 | G3005214 | DRIP TRAY SLIDE - LH | 1 | EA | |

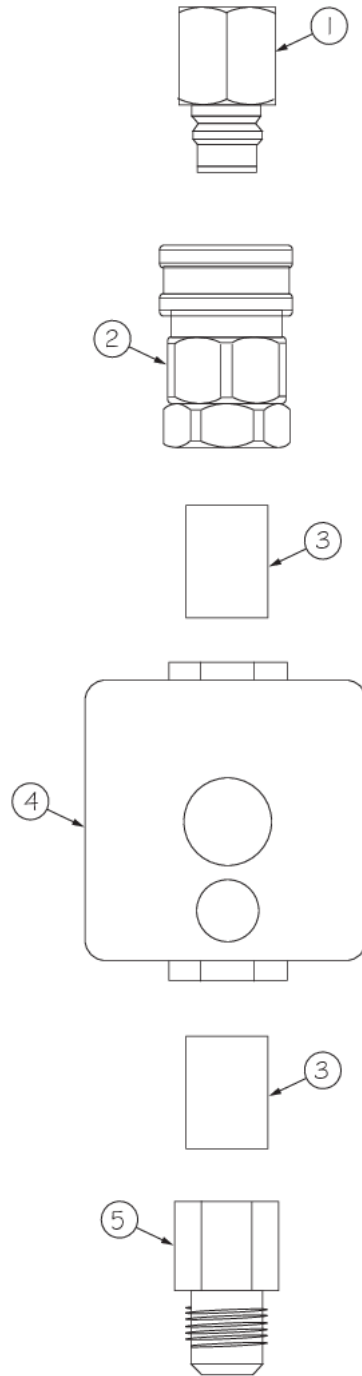
LP GAS REGULATOR ASSEMBLY





| Item | Part No. | Name | Qty | Uom | NOTES |
|------|----------|----------------------------------|-----|-----|-------|
| 1 | PB040146 | 1/2" X 3/8" FLARE ADAPTER (VGBQ) | 2 | EA | |
| 2 | PB040235 | 1/2"NPT TO 3/8" FLARE COUPLING | 1 | EA | |
| 3 | PB040046 | 1/2" CLOSE NIPPLE | 2 | EA | |
| 4 | PA070005 | PRESSURE REG.(LP) RV47L-77-10.0 | 1 | EA | |
| 5 | PB020227 | HIGH PRESSURE LP HOSE | 1 | EA | |
| 6 | PA070007 | LP TANK REGULATOR (VGBQ) | 1 | EA | |
| 7 | PA010138 | CYLINDER CONNECTION | 1 | EA | |

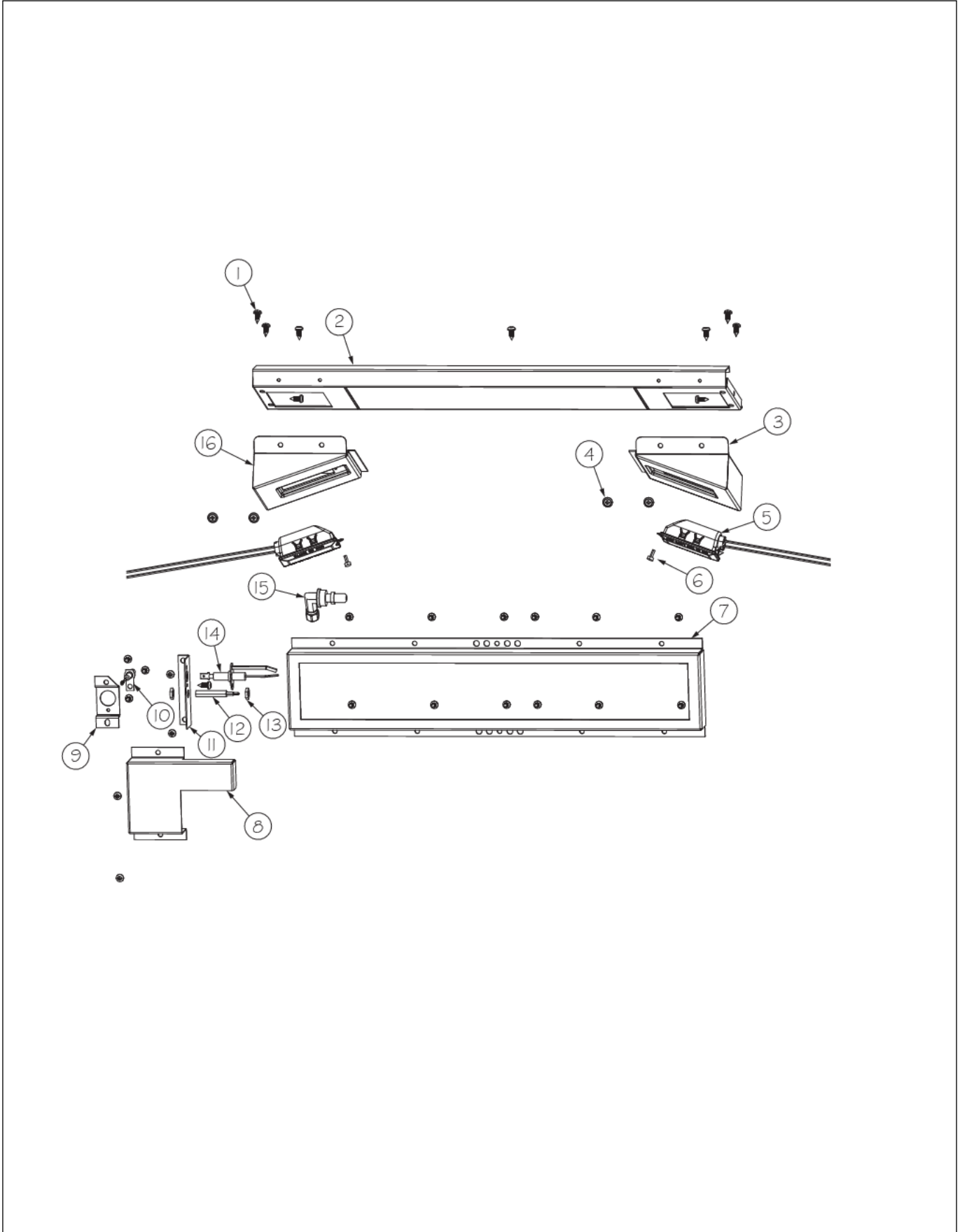
NATURAL GAS REGULATOR ASSEMBLY





| Item | Part No. | Name | Qty | Uom | NOTES |
|------|------------|--|-----|-----|-------|
| 1 | 023653-000 | Nipple-Coupler Assy | 1 | EA | |
| 2 | 023653-000 | Nipple-Coupler Assy | 1 | EA | |
| 3 | PB040046 | 1/2" CLOSE NIPPLE | 2 | EA | |
| 4 | PA070006 | PRESSURE REG.(NAT.)-4"-FOR BBQ GRIL - NLA | 1 | EA | |
| 5 | PB020239 | 7/8 FLARE TO 1/2 FEMALE CONNECTOR | 1 | EA | |

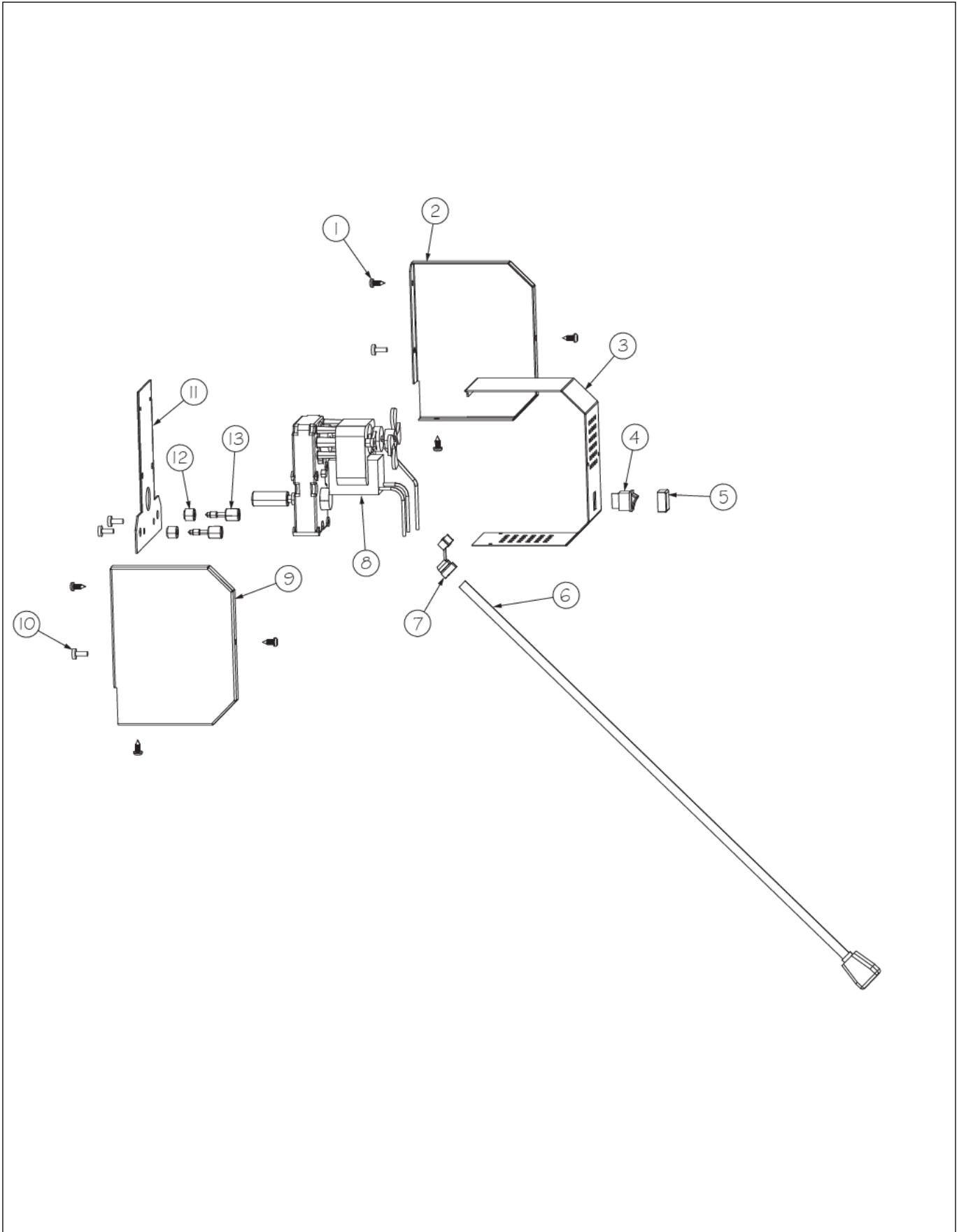
ROTISSERIE BURNER AREA





| Item | Part No. | Name | Qty | Uom | NOTES |
|------|------------|---|-----|-----|---|
| 1 | PD020055 | ' #10 X 1/2" PAN PHIL. TEK.*SS* | 29 | EA | |
| 2 | E20015559 | 30" FRONT HOUSING TOP | 1 | EA | NO LONGER AVAILABLE, Not available online / Call for pricing and availability |
| 3 | 000603-000 | GRILL LIGHT HOUSING RH | 1 | EA | |
| 4 | PD020073 | SRW #10 X 24 X 3/8 WAFER HD TYPE23 | 4 | EA | |
| 5 | 001310-000 | 120V HALOGEN LIGHT | 2 | EA | |
| 6 | PD020067 | ' #6 X 3/8" PAN PHIL. TEK *SS* | 2 | EA | |
| 7 | B2005347 | I/R Frame | 1 | EA | |
| 8 | B20015402 | I/R IGNITOR COVER LH | 1 | EA | |
| 9 | B20015401 | FLEX IGNITER STAND OFF | 1 | EA | Not available online / Call for pricing and availability |
| 10 | PB040280 | FLEXIBLE ROTISSERIE IGNITOR | 1 | EA | |
| 11 | B20015403 | IR IGNITOR BRACKET | 1 | EA | |
| 12 | PB010162 | THERMOCOUPLE - BBQ GRILL W/ ROTIS | 1 | EA | |
| 13 | PD030048 | THERMCOUPLE NUT M08- VGBQ-8743300007 | 2 | EA | |
| 14 | PB040160 | WOK IGNITER | 1 | EA | |
| 15 | PB040124 | 90 DEG. ORIFICE FITTING | 1 | EA | |
| 16 | 000602-000 | GRILL LIGHT HOUSING LH | 1 | EA | |

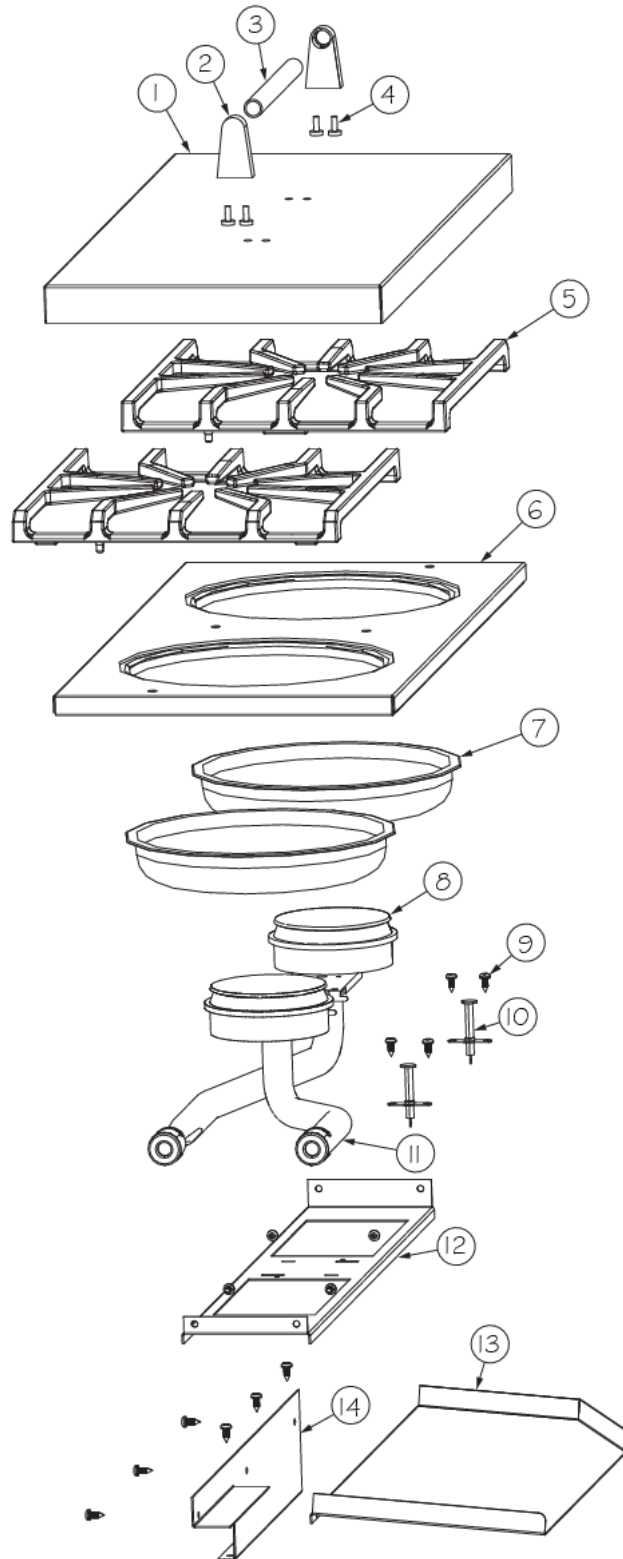
ROTISSERIE MOTOR ASSEMBLY





| Item | Part No. | Name | Qty | Uom | NOTES |
|--------------|----------|---------------------------------------|-----|-----|------------------------|
| 1 | PD020055 | ' #10 X 1/2" PAN PHIL. TEK.*SS* | 6 | EA | |
| 2 | B2005285 | PHASE II ROTIS BOX FRONT | 1 | EA | |
| 3 | B2005286 | PHASE II ROTIS COVER | 1 | EA | |
| 4 | PE050051 | ROTIS SWITCH | 1 | EA | |
| 5 | PE050046 | ROTIS SWITCH BOOT | 1 | EA | NO LONGER AVAILABLE |
| Not Shown | NOTE | (MUST ORDER ITEM 4) | | EA | |
| 6 | PE070189 | ELECTRICAL SUPPLY CORD - BBQ GRILL | 1 | EA | |
| 7 | PD040044 | SNAP THRU BUSHING 1/4"DIA CORD | 1 | EA | |
| 8 | PE070184 | ROTISSERIE MOTOR | 1 | EA | |
| 9 | B2005284 | PHASE II ROTIS BOX FRONT | 1 | EA | |
| 10 | PD020056 | ' #10-24 X 1/2" PH.TR. M.S. *SS* | 4 | EA | |
| 11 | B1005283 | ROTIS. MOUNTING PLATE (PHASE 2) | 1 | EA | |
| 12 | PD030064 | CAPTURE NUT 1/4" #20 | 2 | EA | |
| 13 | PD010090 | ROTIS FASTENER KNOB | 2 | EA | |
| NI | G3205282 | ROTIS MOTOR ASSEMBLY (PHASE 2) | 1 | EA | |
| Not Shown | NOTE | (INCLUDES ITEMS 1 THRU 13) | | EA | |

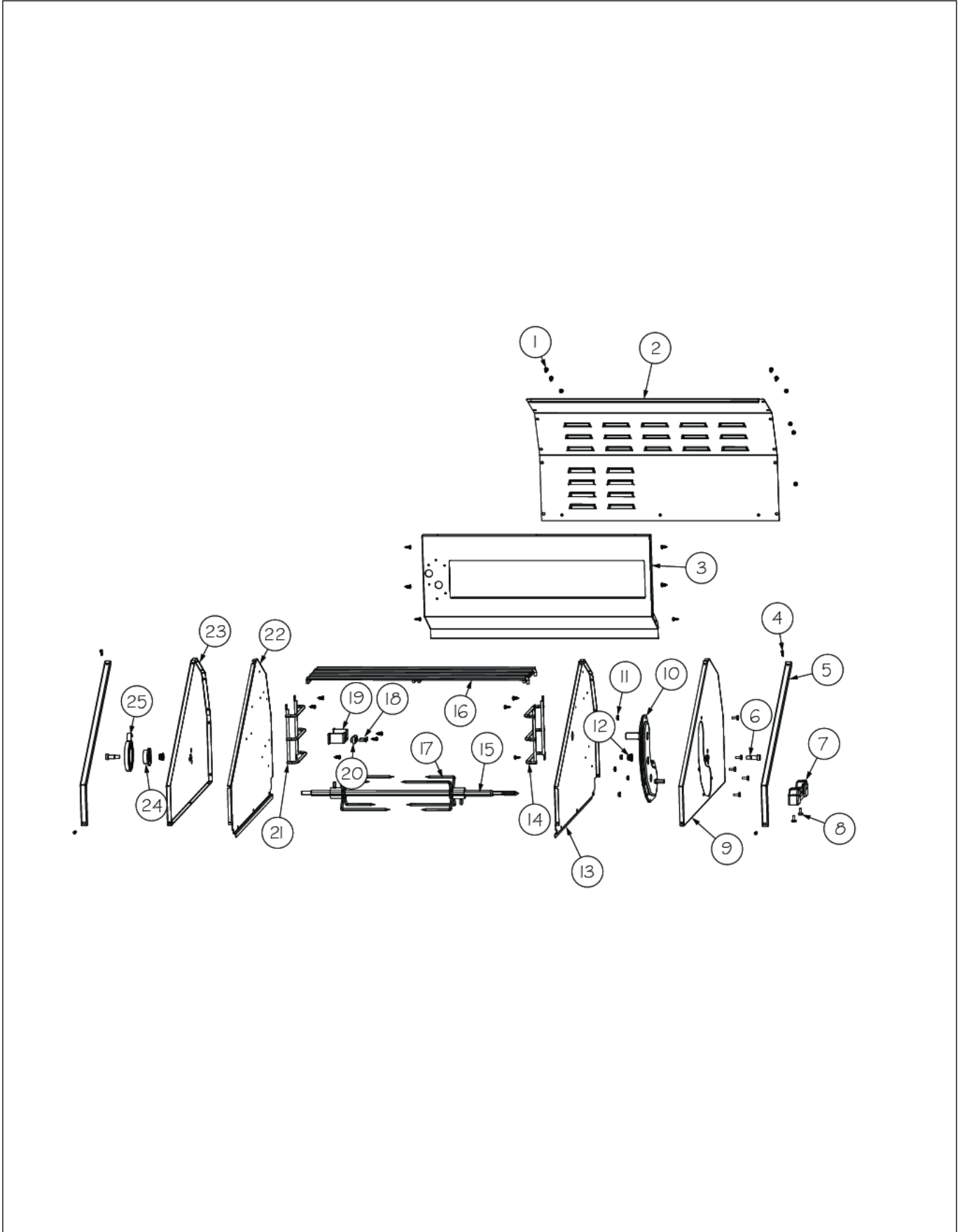
SIDE BURNER AREA





| Item | Part No. | Name | Qty | Uom | NOTES |
|------|------------|--|-----|-----|---|
| 1 | 004459-000 | GRILL SIDE BURNER COVER | 1 | EA | |
| 2 | PE030187 | HANDLE END CAP *CHROME* OUTDOOR CABINET | 1 | EA | |
| 3 | PE030197 | VGIQ30 COVER HANDLE | 1 | EA | |
| 4 | PD020056 | ' #10-24 X 1/2" PH.TR. M.S. *SS* | 1 | EA | |
| 5 | 003082-000 | OUTDOOR SPIDER GRATE | 1 | EA | |
| 6 | 004461-000 | 41" GRILL SIDE BURNER GRATE SUPPORT | 1 | EA | Not available online / Call for pricing and availability |
| 7 | PA030002 | BURNER BOWL (VGBQ) *SS* | 1 | EA | |
| 8 | 004277-000 | SS BURNER ASM, FRONT SIDE | 1 | EA | |
| 9 | PD020055 | ' #10 X 1/2" PAN PHIL. TEK.*SS* | 14 | EA | |
| 10 | PA020028 | SPARK IGNITER | 1 | EA | |
| 11 | 004278-000 | SS BURNER ASM, REAR TOP | 1 | EA | |
| 12 | B2005260 | PHASE II BURNER SUPPORT | 1 | EA | |
| 13 | B20015507 | GREASE DIVERTER | 1 | EA | |
| 14 | B20015506 | SIDE BURNER DRIP SHIELD | 1 | EA | |

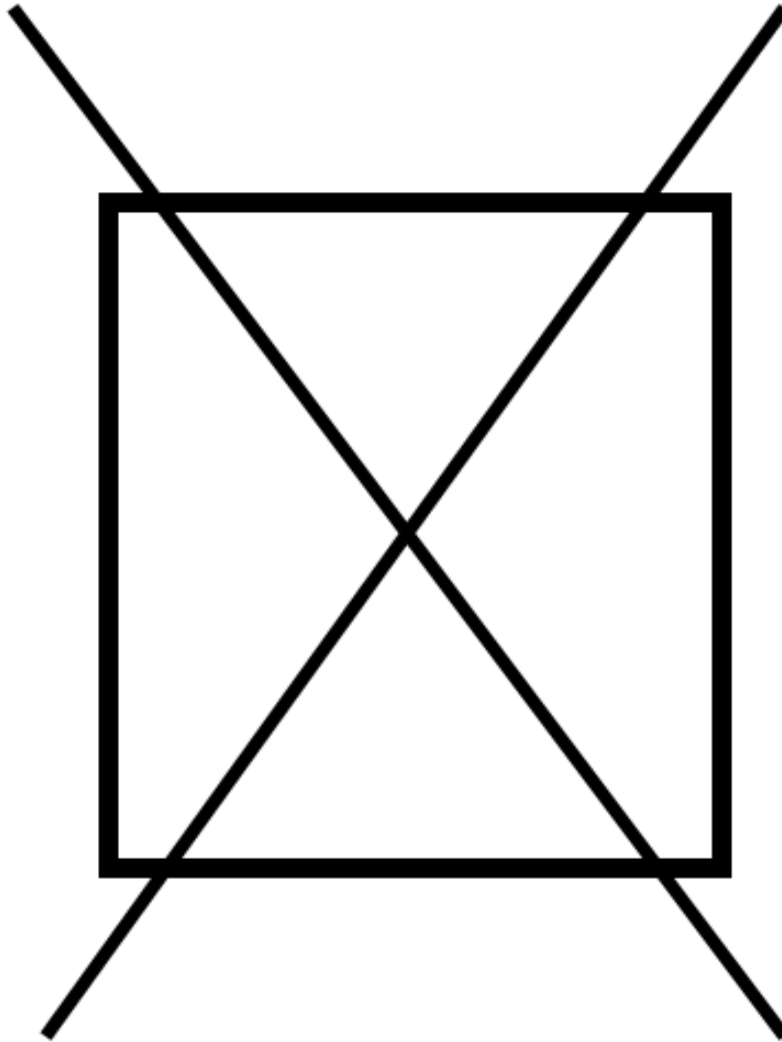
UPPER GRILL AREA





| Item | Part No. | Name | Qty | Uom | NOTES |
|------|------------|---|-----|-----|---|
| 1 | PD020055 | ' #10 X 1/2" PAN PHIL. TEK.*SS* | 29 | EA | |
| 2 | 003652-000 | 30" GRILL REAR COVER | 1 | EA | |
| 3 | G91015522 | FRONT HOUSING ASSY (VGIQ3002RT) | 1 | EA | |
| 4 | 000394-000 | #8 SS TECH SCREW - COUNTERSINK - NLA | 4 | EA | NO LONGER AVAILABLE |
| 5 | B20015574 | GRILL WINDSHIELD TRIM | 2 | EA | |
| 6 | PD010043 | 5/16INCH SHOULDER BOLT (PHASE 2) | 2 | EA | |
| 7 | PB060055 | Rotis. Mount Casting | 1 | EA | |
| 8 | PD020056 | ' #10-24 X 1/2" PH.TR. M.S. *SS* | 7 | EA | |
| 9 | B20015575 | OUTSIDE WINDSHIELD - RH | 1 | EA | |
| 10 | PC070024 | ROTIS. GEAR BOX ASSY | 1 | EA | |
| 11 | PD030044 | 10-24 KEPS NUT *SS* | 5 | EA | |
| 12 | G5005257 | O/S Windshield Assy - LH | 2 | EA | |
| 13 | B20015418 | INSIDE WINDSHIELD RH | 1 | EA | Not available online / Call for pricing and availability |
| 14 | PB060112 | WARMING RACK SUPPORT RH | 1 | EA | |
| 15 | PB060054 | ROTIS SPIT ROD 30" | 1 | EA | |
| 16 | PB060057 | WARMING RACK 30 | 1 | EA | |
| 17 | 032881-000 | FORK, RTSR | 2 | EA | |
| 18 | PD020082 | 10 X 24 COUNTERSUNK S.S. SCREW | 2 | EA | |
| 19 | PC020025 | DRIP TRAY WHEEL | 1 | EA | |
| 20 | B2005278 | ROTISSERIE ROLLER BRACKET (PHASE 2) | 1 | EA | |
| 21 | PB060113 | WARMING RACK SUPPORT LH | 1 | EA | |
| 22 | B20015419 | INSIDE WINDSHIELD LH | 1 | EA | Not available online / Call for pricing and availability |
| 23 | B20015576 | OUTSIDE WINDSHIELD-LH | 1 | EA | |
| 24 | 005942-000 | SPRING INDEX | 1 | EA | |
| 25 | 003746-000 | FLAT TORSION SPRING FOR OUTDOOR GRILL CANOPY | 1 | EA | |

NON
ILLUSTRATED PART





| Item | Part No. | Name | Qty | Uom | NOTES |
|------|------------|------------------------------|-----|-----|-------|
| NI | PE070814 | WIRE HARNESS (VGBQ4122RE) | 1 | EA | |
| NI | G40016229 | IGNITOR WIRE 34" | 1 | EA | |
| NI | G40016230 | IGNITOR WIRE 40" | 1 | EA | |
| NI | G40016234 | IGNITOR WIRE 22" | 1 | EA | |
| NI | G40016228 | IGNITOR WIRE 25" | 1 | EA | |
| NI | 025323-000 | HARNESS, WIRE, ROTISSERIE | 1 | EA | |
| NI | 006021-000 | SCE, PWR, LED, 12VAC | 1 | EA | |
| NI | 005999-000 | LED BOARD ASSEMBLY | 6 | EA | |
| NI | 006017-000 | LED WIRE 4.875 | 3 | EA | |
| NI | 006018-000 | LED WIRE 8.75 - NLA | 2 | EA | |
| NI | 006019-000 | LED WIRE 10.75 - NLA | 1 | EA | |
| NI | 006384-000 | 30" & 41" WIRE ASSEMBLY | 1 | EA | |



Appendix A:Pages Index

BURNER BOX AREA 1
BURNER GRATE AREA 2
CANOPY ASSEMBLY 3
CONTROL AREA 4
DRIP TRAY 5
LP GAS REGULATOR ASSEMBLY 6
NATURAL GAS REGULATOR ASSEMBLY 7
ROTISSERIE BURNER AREA 8
ROTISSERIE MOTOR ASSEMBLY 9
SIDE BURNER AREA 10
UPPER GRILL AREA 11
WIRING 12



Appendix B:Parts Index

| | | | |
|------------|-------|------------|------|
| 000268-000 | 3 | 006390-000 | 4 |
| 000394-000 | 11 | 006757-000 | 2 |
| 000602-000 | 8 | 007215-000 | 3 |
| 000603-000 | 8 | 007379-000 | 3 |
| 001310-000 | 8 | 007657-000 | 4 |
| 002353-000 | 1 | 007676-000 | 2 |
| 002354-000 | 1 | 008026-000 | 2, 4 |
| 002355-000 | 1 | 008091-000 | 2 |
| 002369-000 | 2 | 008181-000 | 2 |
| 002370-000 | 2 | 008409-000 | 1 |
| 002671-000 | 1 | 009290-000 | 1 |
| 002884-000 | 4 | 019962-000 | 1 |
| 003082-000 | 10 | 023653-000 | 7, 7 |
| 003366-000 | 3 | 025323-000 | 12 |
| 003561-000 | 4 | 027596-000 | 2 |
| 003563-000 | 4 | 032881-000 | 11 |
| 003630-000 | 3 | 046328-000 | 4 |
| 003632-000 | 3 | 050172-000 | 4 |
| 003633-000 | 3 | A20015411 | 1 |
| 003634-000 | 3 | A20015412 | 1 |
| 003635-000 | 3 | B1005283 | 9 |
| 003652-000 | 11 | B20015401 | 8 |
| 003746-000 | 11 | B20015402 | 8 |
| 003857-000 | 1 | B20015403 | 8 |
| 004089-000 | 1 | B20015418 | 11 |
| 004276-000 | 2 | B20015419 | 11 |
| 004277-000 | 10 | B20015506 | 10 |
| 004278-000 | 10 | B20015507 | 10 |
| 004459-000 | 10 | B20015509 | 1 |
| 004461-000 | 10 | B20015512 | 1 |
| 005941-000 | 3 | B20015516 | 2 |
| 005942-000 | 11 | B20015574 | 11 |
| 005999-000 | 4, 12 | B20015575 | 11 |
| 006011-000 | 2 | B20015576 | 11 |
| 006017-000 | 12 | B2005203 | 1 |
| 006018-000 | 12 | B2005204 | 1 |
| 006019-000 | 12 | B2005246 | 1 |
| 006021-000 | 4, 12 | B2005248 | 2 |
| 006290-000 | 4 | B2005260 | 10 |
| 006384-000 | 12 | B2005278 | 11 |
| | | B2005284 | 9 |



| | | | |
|-----------|------|----------|-----------------------------|
| B2005285 | 9 | PB040235 | 6 |
| B2005286 | 9 | PB040280 | 8 |
| B2005311 | 5 | PB060054 | 11 |
| B2005316 | 5 | PB060055 | 11 |
| B2005317 | 5 | PB060057 | 11 |
| B2005347 | 8 | PB060112 | 11 |
| B2006305 | 1 | PB060113 | 11 |
| B30015553 | 1 | PC020025 | 5, 11 |
| B3005314 | 5 | PC070024 | 11 |
| E20015559 | 8 | PD010012 | 4 |
| G3005214 | 5, 5 | PD010043 | 11 |
| G3205282 | 9 | PD010090 | 9 |
| G40016228 | 12 | PD020014 | 1 |
| G40016229 | 12 | PD020046 | 4 |
| G40016230 | 12 | PD020048 | 2 |
| G40016234 | 12 | PD020055 | 1, 2, 3, 4, 5, 8, 9, 10, 11 |
| G5005257 | 11 | PD020056 | 3, 4, 5, 9, 10, 11 |
| G91015522 | 11 | PD020067 | 4, 8 |
| J2101749 | 5 | PD020069 | 3 |
| L1004881 | 1 | PD020073 | 4, 8 |
| L1005398 | 1 | PD020082 | 5, 11 |
| PA010138 | 6 | PD030006 | 4 |
| PA020028 | 10 | PD030044 | 5, 5, 11 |
| PA020045 | 4 | PD030048 | 8 |
| PA020048 | 1 | PD030050 | 4 |
| PA030002 | 10 | PD030060 | 2 |
| PA050069 | 4 | PD030064 | 9 |
| PA070005 | 6 | PD040010 | 3 |
| PA070006 | 7 | PD04004 | 5 |
| PA070007 | 6 | PD040044 | 1, 9 |
| PA080051 | 2 | PE010142 | 4 |
| PB010162 | 8 | PE030041 | 3 |
| PB010163 | 4 | PE030187 | 10 |
| PB010337 | 3 | PE030197 | 10 |
| PB020115 | 2, 2 | PE050019 | 4 |
| PB020227 | 6 | PE050046 | 9 |
| PB020239 | 7 | PE050051 | 9 |
| PB040046 | 6, 7 | PE050063 | 4 |
| PB040124 | 8 | PE070184 | 9 |
| PB040146 | 6 | PE070189 | 9 |
| PB040160 | 8 | PE070791 | 1 |



| | |
|----------------|----|
| PE070814 | 12 |
| PE070855 | 1 |
| PK010061 | 2 |
| PK010064 | 4 |