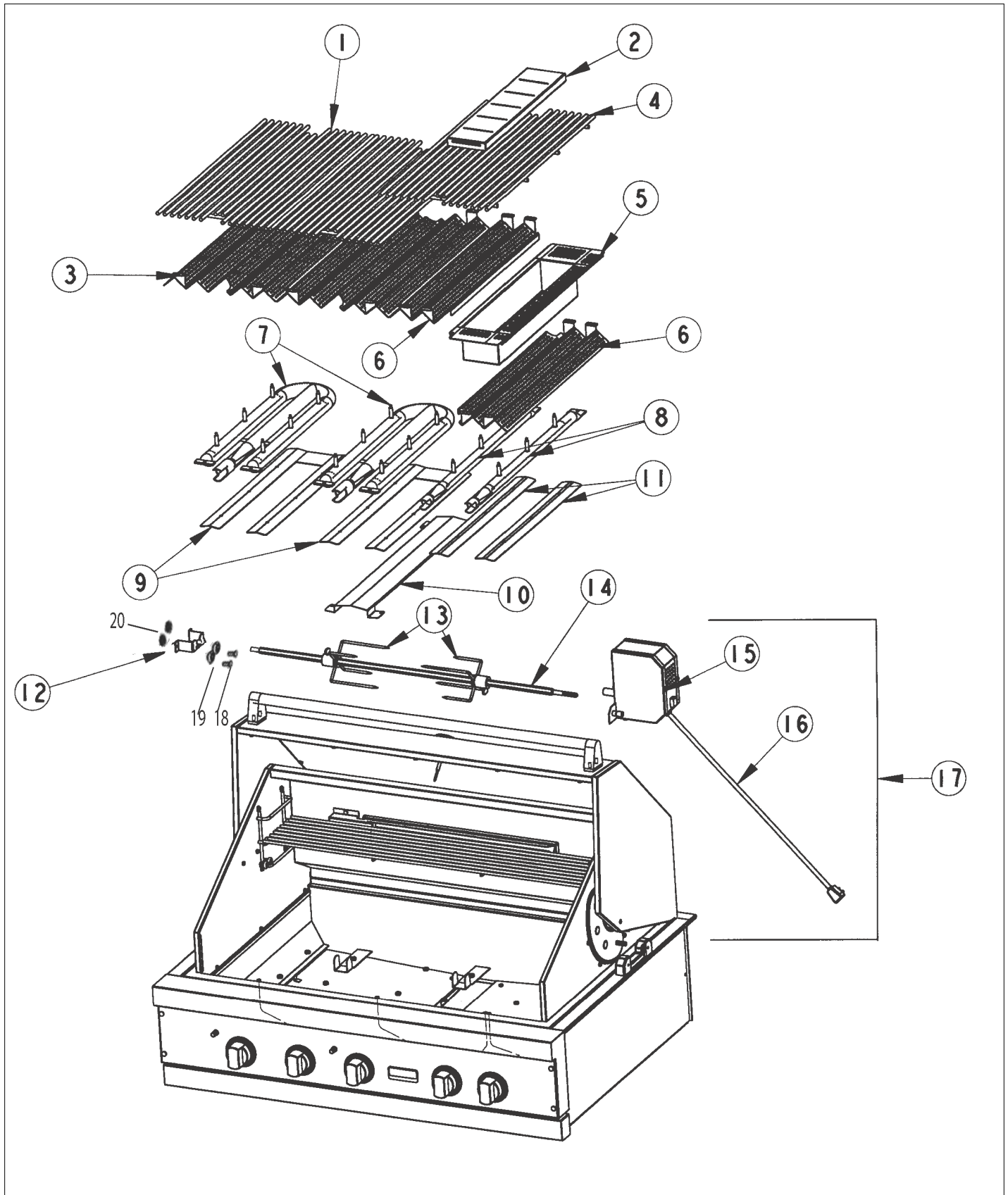


VGBQ4103RT

BURNER GRATE ASSEMBLY	1
CONTROL VALVE ASSEMBLY	2
FUNCTIONAL PARTS	3
GRILL SUBASSEMBLY	4
WIRING	5
WIRING CONT.	6
Appendix A:Pages Index	A
Appendix B:Parts Index	B

BURNER GRATE ASSEMBLY





Item	Part No.	Name	Qty	Uom	NOTES
1	PA060052	Full Grill Grate	2	EA	
1	PA060068	FULL GRATE *SS*	2	EA	
2	B3005325	SUB TO 027596-000		EA	NO LONGER AVAILABLE
3	G5009726	HALF FLAVOR GRID KIT		EA	
4	PA060053	1/2 Grill Grate	2	EA	
4	PA060069	Half Grate SS	2	EA	
5	B2005326	SUB TO 027596-000		EA	NO LONGER AVAILABLE, Not available online / Call for pricing and availability
6	PK010061	1/2 Flavor Grid		EA	
7	PA080050	Grill Burner		EA	
8	PA080051	Smoker Burner		EA	
9	B2004921	Burner Drip Shield		EA	

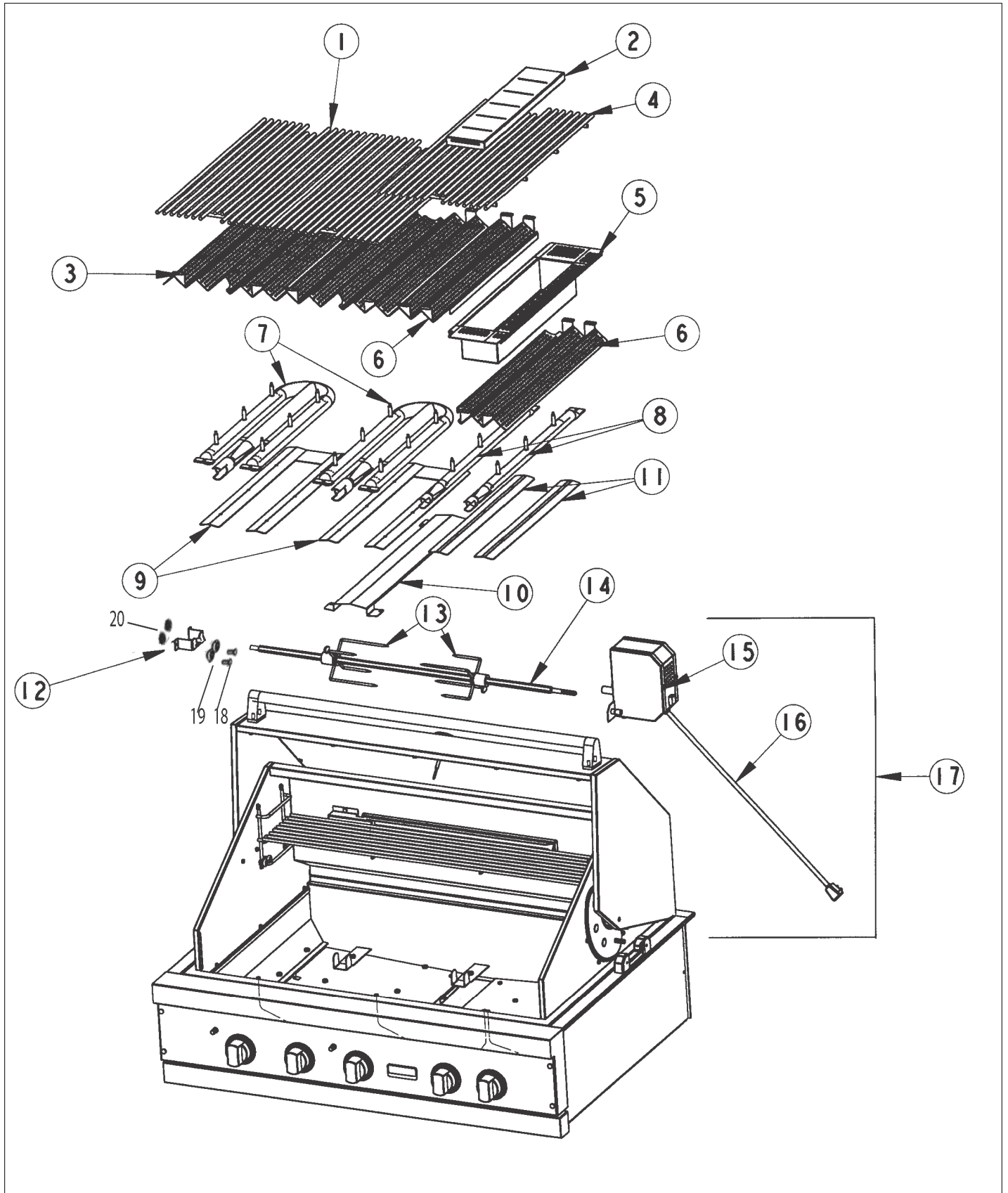
Comments for Part Num. B2004921

vharding68@verizon.net on Jul 25, 2017

PART NUMBER FOR THE NUTS (TOTAL 18) FOR ALL 4 SHIELDS IS PD030060 KEPS NUT (10-32)

I BELIEVE THE PD030044 KEPS NUT (10-24) ARE FOR A DIFFERENT PART OF THE UNIT.

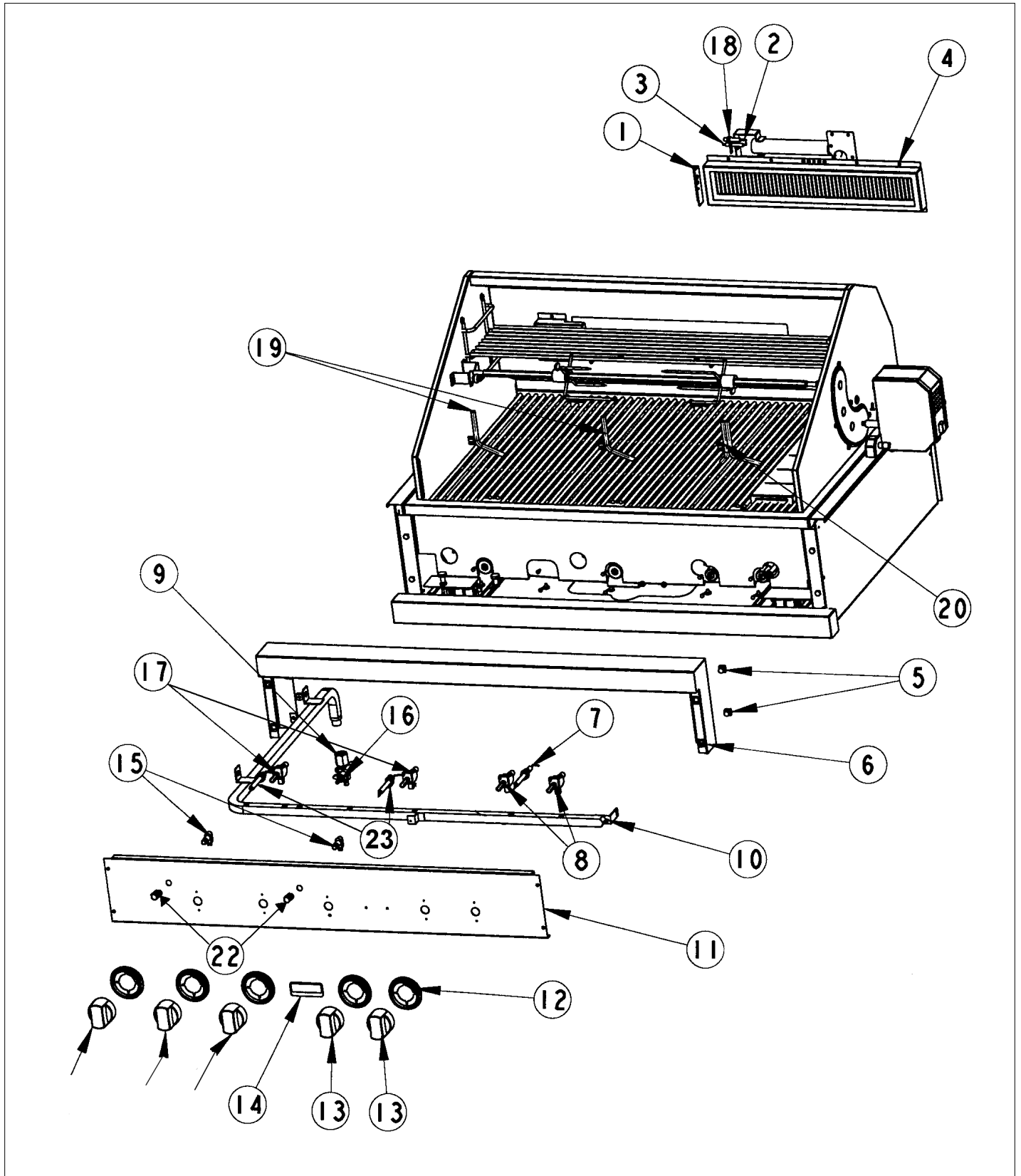
10	B2005246	BURNER BOX SHIELD (PHASE 2)		EA	
11	B2005324	Burner Drip Shield		EA	
12	B2005278	ROTISSERIE ROLLER BRACKET (PHASE 2)	1	EA	
NI	PC020025	DRIP TRAY WHEEL	2	EA	
NI	PD020082	10 X 24 COUNTERSUNK S.S. SCREW	2	EA	
13	032881-000	FORK, RTSR		EA	
14	PB060053	Spit Rod		EA	
15	PE070184	ROTISSERIE MOTOR		EA	
16	PE070189	ELECTRICAL SUPPLY CORD - BBQ GRILL		EA	
17	G3205282	ROTIS MOTOR ASSEMBLY (PHASE 2)		EA	
18	PD020082	10 X 24 COUNTERSUNK S.S. SCREW	2	EA	
19	PC020025	DRIP TRAY WHEEL	2	EA	



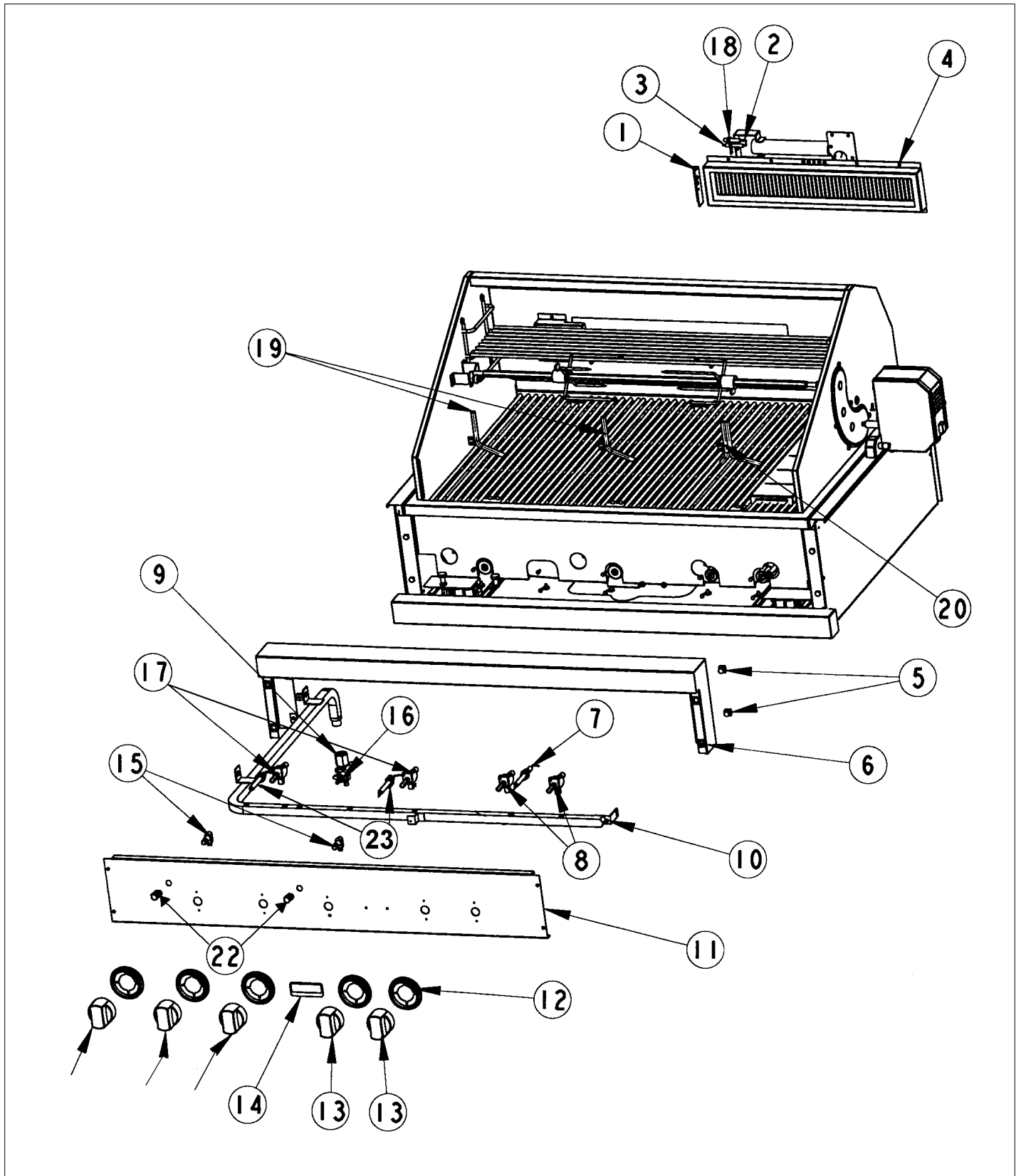


Item	Part No.	Name	Qty	Uom	NOTES
20	PD030044	10-24 KEPS NUT *SS*	2	EA	
NI	027596-000	BOX, SMOKER ASM		EA	
Not Shown	NOTE	Includes:		EA	
Not Shown	NOTE	Smoker Box Top (Item #2)		EA	
Not Shown	NOTE	Smoker Box Bottom (Item #5)		EA	
Not Shown	NOTE	Smoker Box Hinge		EA	
Not Shown	NOTE	Steamer Rack		EA	

CONTROL VALVE ASSEMBLY



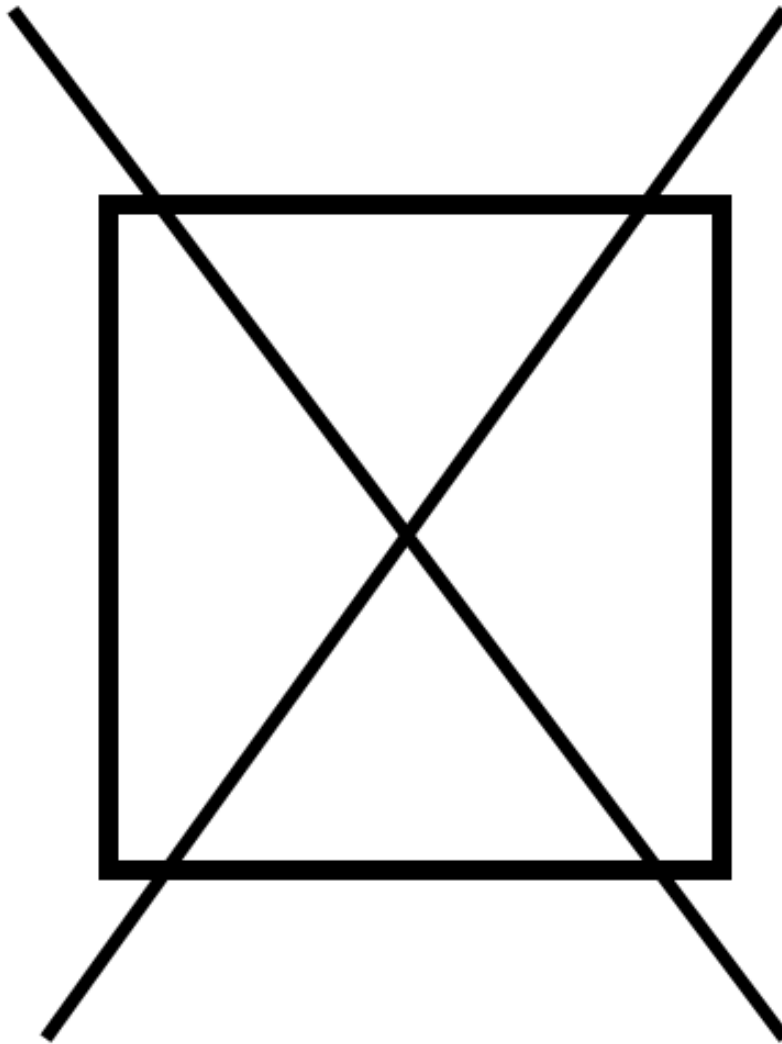
Item	Part No.	Name	Qty	Uom	NOTES
1	B2005271	IR IGNITOR BRACKET (PHASE 2)		EA	
2	042576-000	THERMOCOUPLE		EA	
3	PB040122	IGNITOR FOR (BBQ GRILL) (1647-89)		EA	
4	G3005289	I/R Burner Assy		EA	
5	PD030050	10-24 CAGE NUT *SS*		EA	
6	PK010064	LANDING LEDGE (VGBQ41) T SERIES		EA	NO LONGER AVAILABLE
7	008091-000	PB040288 IGNITOR KIT		EA	
8	003533-000	GRILL VALVE NAT. (5,000-12,500 BTU)		EA	
Not Shown	G50010144	SMOKER VALVE/KNOB SERVICE KIT (NAT.)		EA	
Not Shown	003573-000	GRILL VALVE L.P. (5,000-10,500 BTU)		EA	
Not Shown	G50010145	SMOKER VALVE/KNOB SERVICE KIT (L.P.)		EA	
NI	PB040235	1/2"NPT TO 3/8" FLARE COUPLING		EA	
NI	PB040136	BROIL ORIFICE 1.90MM - YELLOW		EA	
9	023653-000	Nipple-Coupler Assy		EA	
10	PA050069	PHASE2 41" MANIFOLD		EA	
11	B9205320	CTRL PANEL 41 FULL GRILL (PHASE 2)		EA	
12	050172-000	BEZEL, KNOB		EA	
Not Shown	PB010209	Bezel - BR		EA	
13	PA010097	GRILL BURNER KNOB		EA	
Not Shown	NOTE	(BEFORE 06/28/02)		EA	
Not Shown	PA010126	OUTDOOR GRILL KNOB		EA	
Not Shown	NOTE	(ON OR AFTER 06/28/02)		EA	
14	PE010142	3" VIKING LOGO BLACK/CHROME		EA	
Not Shown	PE010143	3" LOGO BK/BR		EA	
15	PE050063	SPARKER SWITCH (PHASE 2)		EA	





Item	Part No.	Name	Qty	Uom	NOTES
16	046328-000	NATURAL ROTIS VALVE - KNOB KIT		EA	
Not Shown	046329-000	LP ROTIS VALVE - KNOB KIT		EA	
17	003516-000	GRILL VALVE NAT. (7,600-25,000 BTU)		EA	
Not Shown	G50010142	GRILL VALVE/KNOB SERVICE KIT (NAT.)		EA	
Not Shown	003538-000	PA010150 VALVE AND BOLT KIT		EA	
Not Shown	G50010143	GRILL VALVE/KNOB SERVICE KIT (L.P.)		EA	
18	PD030048	THERMCOUPLE NUT M08-VGBQ-8743300007		EA	
19	PB020114	FLASH TUBE (VGBQ3002T)		EA	
20	PB020115	SMOKER FLASH TUBE		EA	
21	PA010088	ROTIS. BURNER KNOB		EA	
22	PB010163	OVEN LIGHT SWITCH KNOB *BK* (VESO/D		EA	
NI	PB020096	48" 5/16 S.S. FLEX TUBING REPL F2003505		EA	
23	008090-000	PB040287 IGNITOR KIT		EA	
NI	G3004937	REGULATOR ASSY - L.P. W/HOSE		EA	
NI	G3004936	REGULATOR ASSY - NAT (P1 GRILL)		EA	

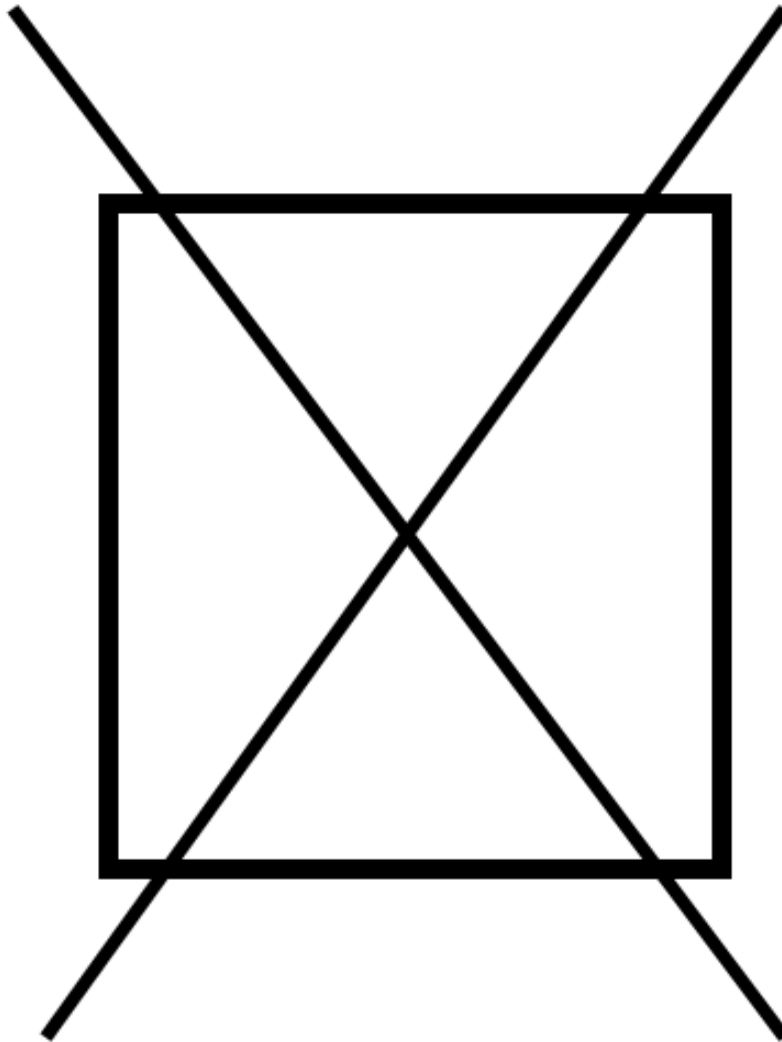
NON
ILLUSTRATED PART





Item	Part No.	Name	Qty	Uom	NOTES
1	PE070189	ELECTRICAL SUPPLY CORD - BBQ GRILL		EA	
2	G3105387	Gear Box Assembly		EA	Not available online / Call for pricing and availability
3	PA080050	Grill Burner		EA	
4	008090-000	PB040287 IGNITOR KIT		EA	
5	PB010194	GRILL THERMOETER (PHASE II GRILLS)		EA	
6	003516-000	GRILL VALVE NAT. (7,600- 25,000 BTU)		EA	
Not Shown	NOTE	(After 8/5/02)		EA	
Not Shown	G50010142	GRILL VALVE/KNOB SERVICE KIT (NAT.)		EA	
Not Shown	NOTE	(Before 8/5/02)		EA	
7	003538-000	PA010150 VALVE AND BOLT KIT		EA	
Not Shown	NOTE	(After 1/23/03)		EA	
Not Shown	G50010143	GRILL VALVE/KNOB SERVICE KIT (L.P.)		EA	
Not Shown	NOTE	(Before 1/23/03)		EA	
8	G3005289	I/R Burner Assy		EA	
9	PB040122	IGNITOR FOR (BBQ GRILL) (1647-89)		EA	
Not Shown	NOTE	(FOR ROTIS BURNER)		EA	
10	046328-000	NATURAL ROTIS VALVE - KNOB KIT		EA	
Not Shown	046329-000	LP ROTIS VALVE - KNOB KIT		EA	
11	PE070184	ROTISSERIE MOTOR		EA	
12	PA080051	Smoker Burner		EA	
13	008091-000	PB040288 IGNITOR KIT		EA	
14	003533-000	GRILL VALVE NAT. (5,000- 12,500 BTU)		EA	
Not Shown	NOTE	After 6/28/02		EA	

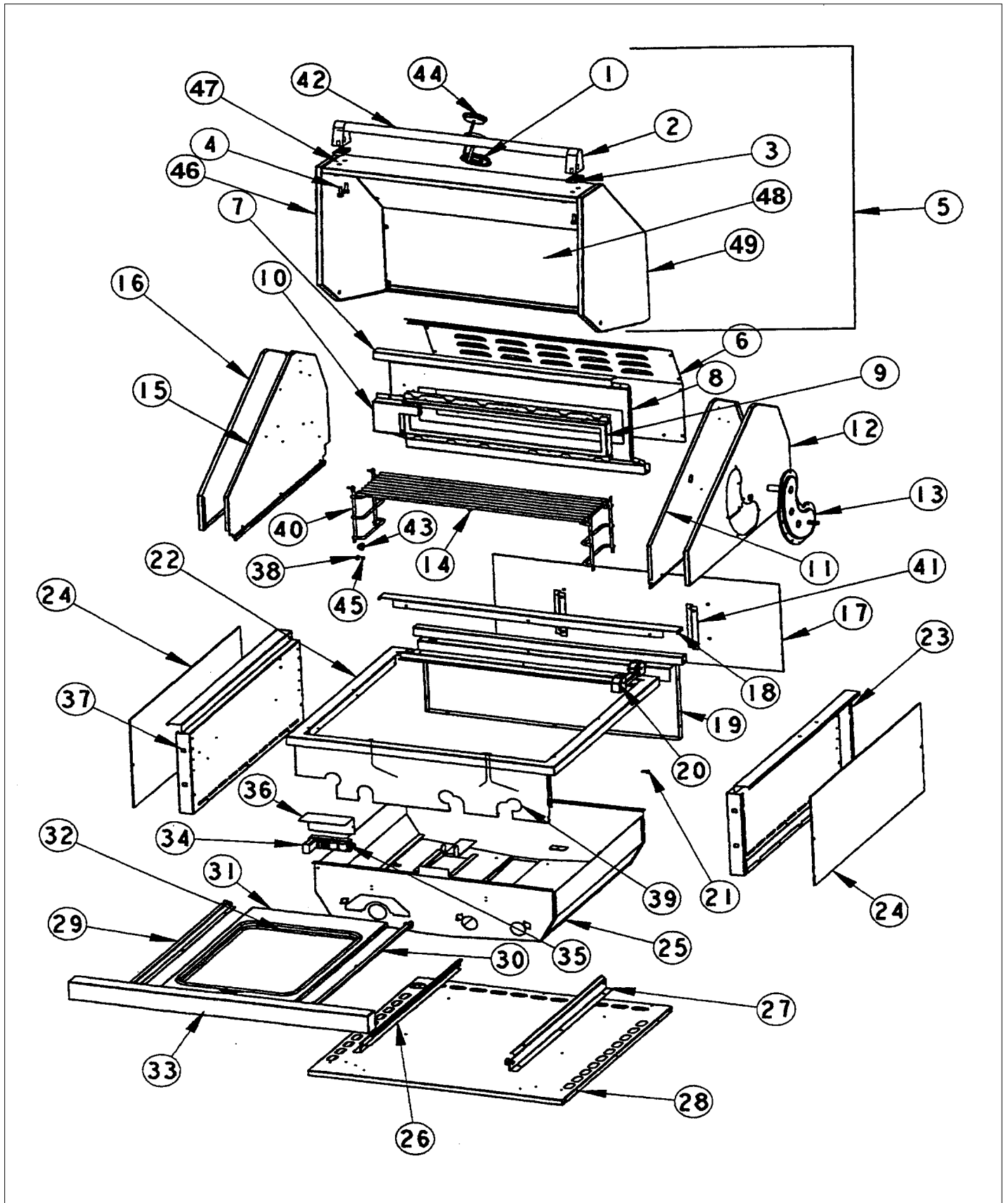
NON ILLUSTRATED PART



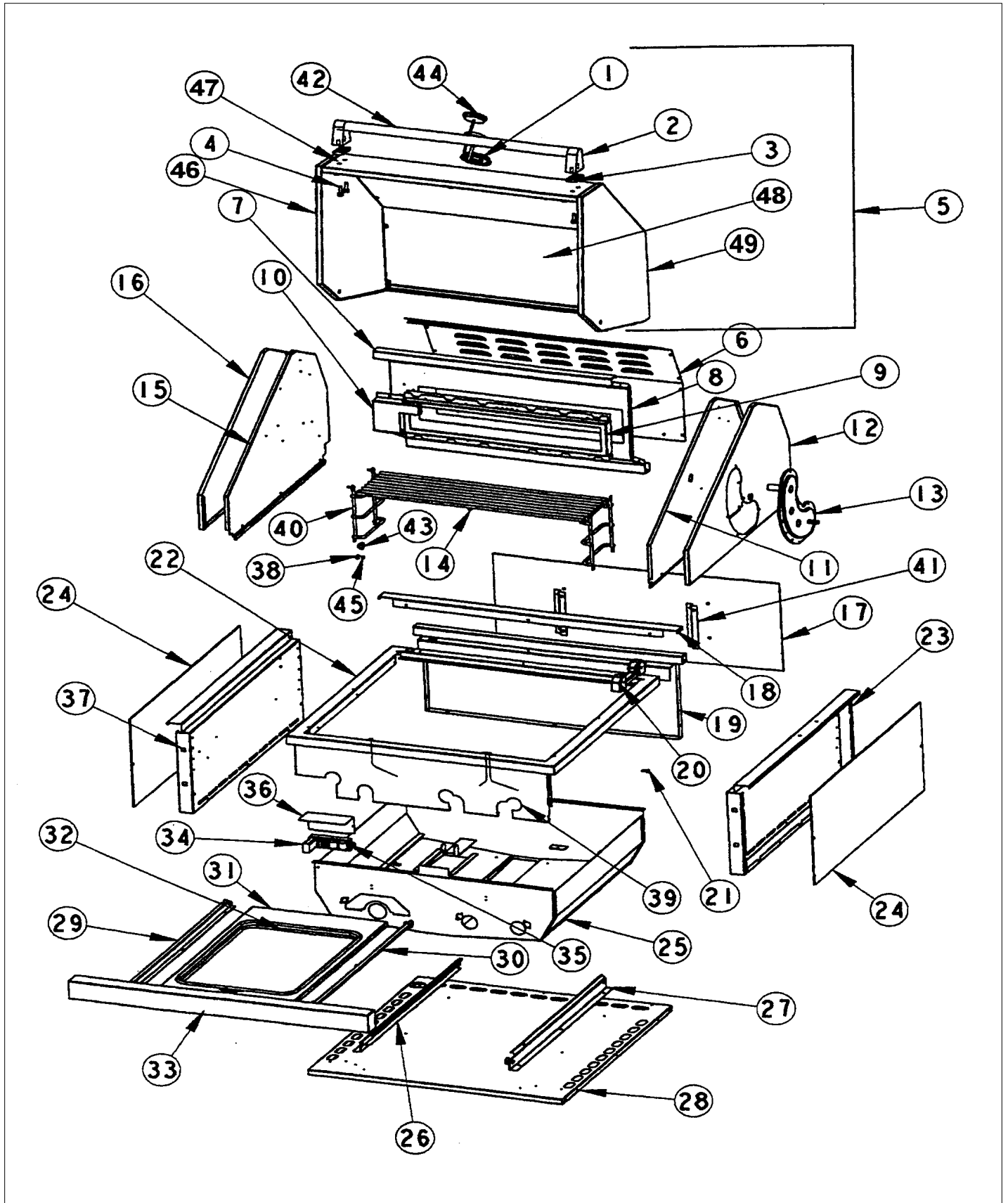


Item	Part No.	Name	Qty	Uom	NOTES
Not Shown	G50010144	SMOKER VALVE/KNOB SERVICE KIT (NAT.)		EA	
Not Shown	NOTE	Before 6/28/02		EA	
15	003573-000	GRILL VALVE L.P. (5,000-10,500 BTU)		EA	
Not Shown	NOTE	After 9/23/02		EA	
Not Shown	G50010145	SMOKER VALVE/KNOB SERVICE KIT (L.P.)		EA	
Not Shown	NOTE	Before 9/23/02		EA	
16	PA020036	SPARK MODULE		EA	
Not Shown	NOTE	(After 1/1/02)		EA	
Not Shown	G5007971	SPARK MODULE KIT		EA	
Not Shown	NOTE	(Before 1/1/02)		EA	
17	PE050063	SPARKER SWITCH (PHASE 2)		EA	

GRILL SUBASSEMBLY

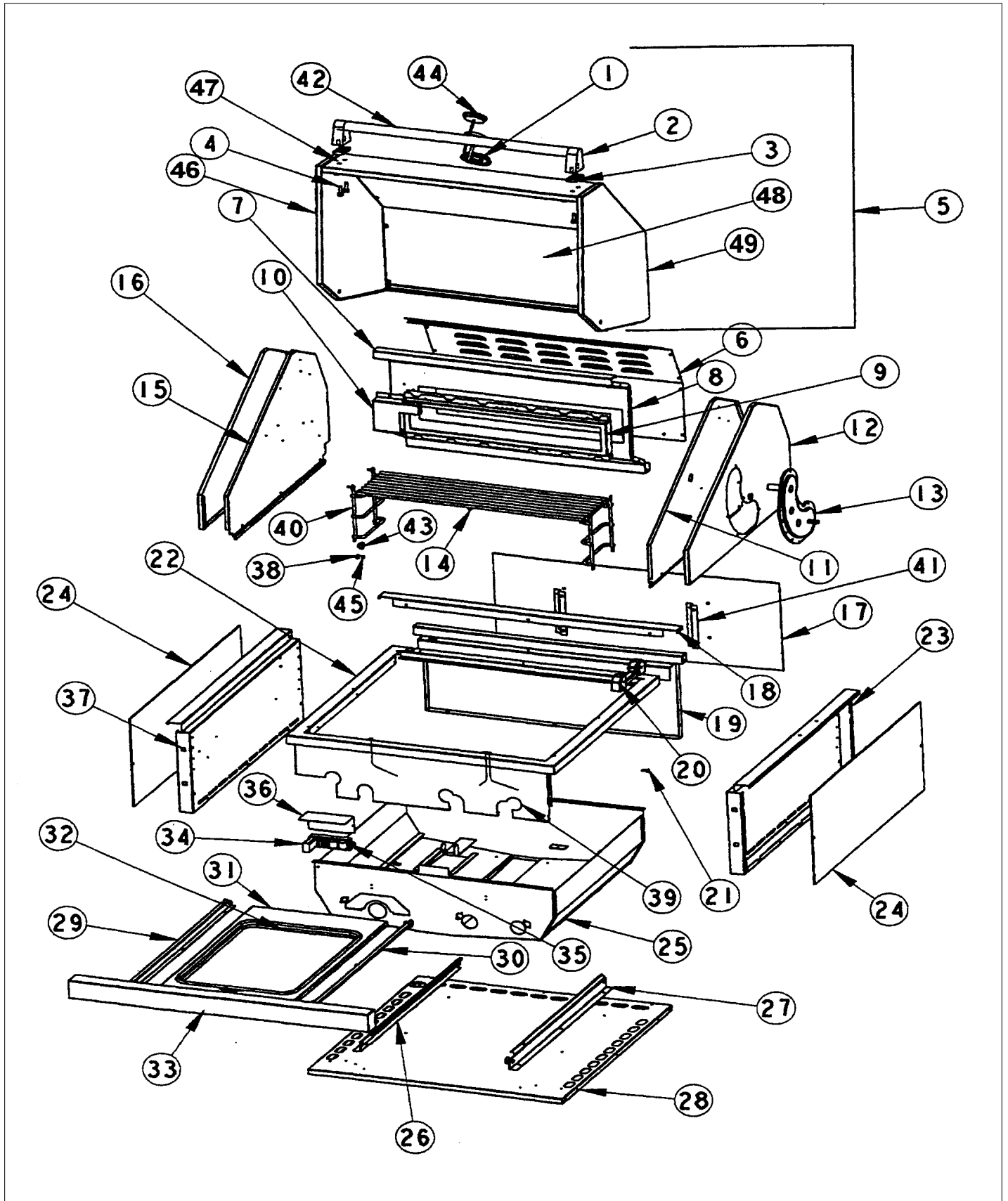


Item	Part No.	Name	Qty	Uom	NOTES
1	PB010192	THERMOSTAT BEZEL	1	EA	
Not Shown	PB010212	THERMOSTAT BEZEL BRASS	1	EA	
2	000268-000	HANDLE ENDCAP	1	EA	
Not Shown	PE030001PVD	END CAP DOOR HANDLE *BR	1	EA	
3	PD040010	DOOR HANDLE SPACER	1	EA	
4	PD020069	CAP SCREW 1/4-20 X 3/4 SS	1	EA	
5	G3205303FG	CANOPY ASSY 41 (P2 GRILL) *FG*	1	EA	NO LONGER AVAILABLE, Not available online / Call for pricing and availability
Not Shown	G3205303FGBR	CANOPY ASSY 41 (P2 GRILL) *FG*BR*	1	EA	NO LONGER AVAILABLE, Not available online / Call for pricing and availability
Not Shown	G3205303GG	CANOPY ASSY 41 (P2 GRILL) *GG*	1	EA	NO LONGER AVAILABLE, Not available online / Call for pricing and availability
Not Shown	G3205303GGBR	CANOPY ASSY 41 (P2 GRILL) *GG*BR*	1	EA	NO LONGER AVAILABLE, Not available online / Call for pricing and availability
Not Shown	G3205303SS	CANOPY ASSY 41 (P2 GRILL) *SS*	1	EA	
Not Shown	G3205303SSBR	CANOPY ASSY 41 (P2 GRILL) *SS*BR*	1	EA	NO LONGER AVAILABLE, Not available online / Call for pricing and availability
Not Shown	G3205303VB	CANOPY ASSY 41 (P2 GRILL) *VB*	1	EA	NO LONGER AVAILABLE, Not available online / Call for pricing and availability
Not Shown	G3205303VBBR	CANOPY ASSY 41 (P2 GRILL) *VB*BR*	1	EA	NO LONGER AVAILABLE, Not available online / Call for pricing and availability
6	B2005280	Rear Cover	1	EA	
7	G9105395	Front Housing Top Weld Assy - NLA	1	EA	
8	G9105328	Front Housing Assembly	1	EA	

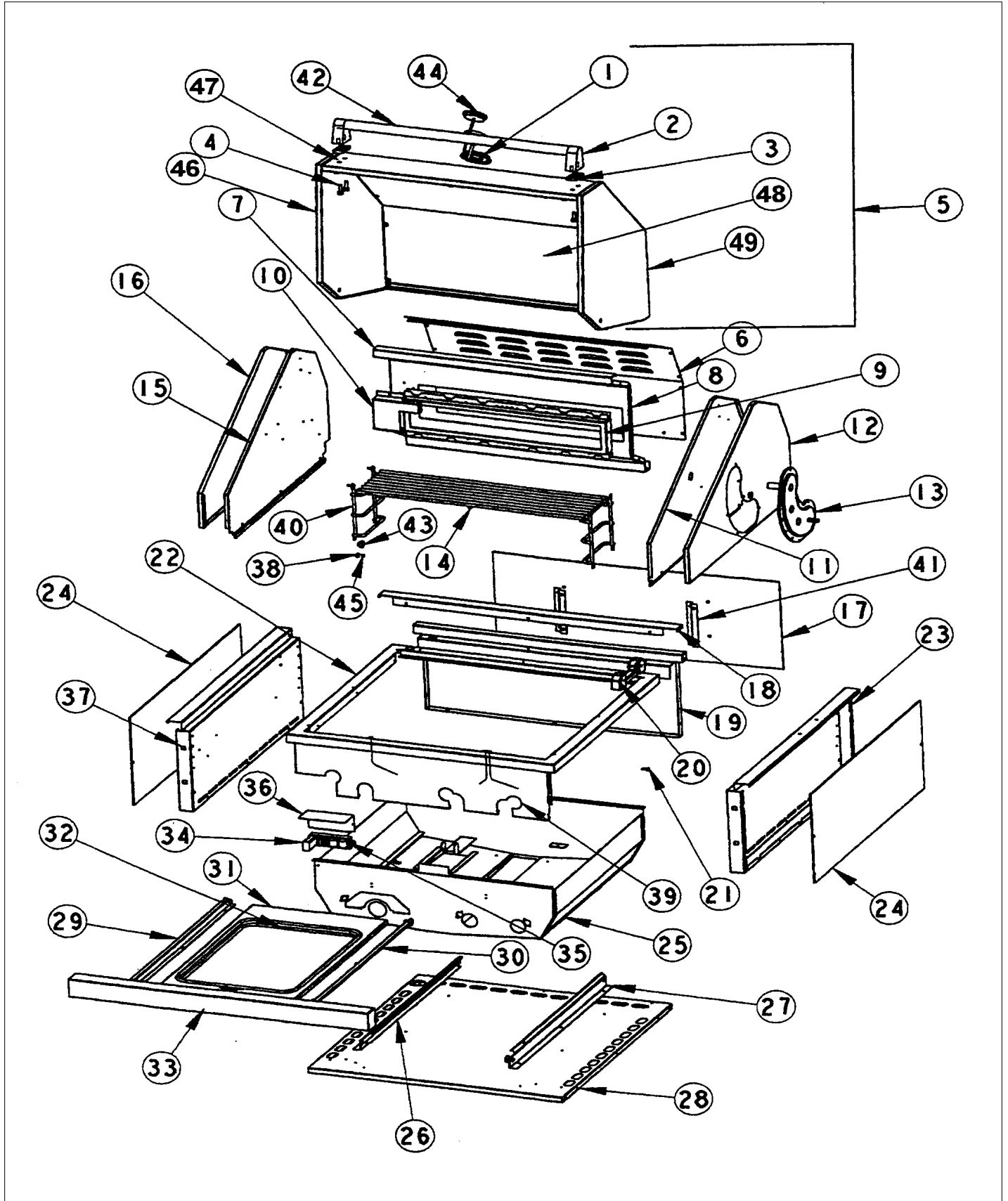




Item	Part No.	Name	Qty	Uom	NOTES
9	B2005347	I/R Frame	1	EA	
10	B2005273	I/R Igniter Cover	1	EA	
11	B2005263	I/S Windshield - RH	1	EA	Not available online / Call for pricing and availability
12	G5005256	O/S Windshield Assy - RH	1	EA	Not available online / Call for pricing and availability
13	G3105387	Gear Box Assembly	1	EA	Not available online / Call for pricing and availability
14	PB060056	Warming Rack	1	EA	
15	B2005264	I/S Windshield - LH	1	EA	
16	G5005257	O/S Windshield Assy - LH	1	EA	
17	L1004881	Rear Heat Shield	1	EA	
18	B20010116	GRILL BOX TRIM - 41	1	EA	
19	B2005206	Grill Box Back	1	EA	Not available online / Call for pricing and availability
20	PB060055	Rotis. Mount Casting	1	EA	
21	PD020055	' #10 X 1/2" PAN PHIL. TEK.*SS*	1	EA	
22	B2005230	Grill Frame	1	EA	
23	B2005203	Grill Box Side - RH	1	EA	
24	L1005398	Side Heat Shield	1	EA	
25	G3005234	BURNER BOX ASSY 41 (VGBQ4103RT)	1	EA	
26	G3005214	DRIP TRAY SLIDE - LH	1	EA	
27	G3005215	DRIP TRAY SLIDE - RH	1	EA	
28	B2005201	GRILL BOX BOTTOM 41 (PHASE 2)	1	EA	NO LONGER AVAILABLE, Not available online / Call for pricing and availability
29	B2005317	DRIP TRAY RUNNER LH (PHASE 2)	1	EA	
30	B2005316	DRIP TRAY RUNNER RH	1	EA	
31	B2005310	DRIP TRAY 41 (VGBQ4103RT)	1	EA	

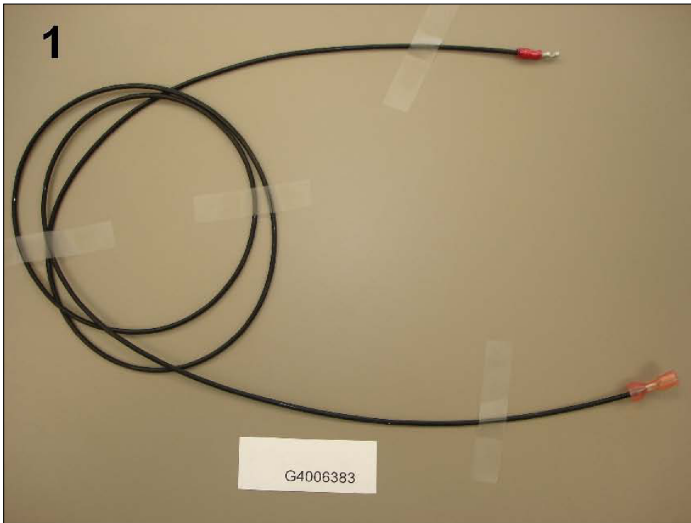


Item	Part No.	Name	Qty	Uom	NOTES
32	J2101749	GREASE PAN	1	EA	
33	B3005314	41" DRIP TRAY HANDLE (PHASE 2)	1	EA	
34	B3005292	CANOPY END RH (PHASE 2)	1	EA	
35	PA020036	SPARK MODULE	1	EA	
Not Shown	G5007971	SPARK MODULE KIT	1	EA	
36	B2005250	SPARK MODULE BRACKET (PHASE 2)	1	EA	
37	B2005204	Grill Box Side - LH	1	EA	
38	PD030044	10-24 KEPS NUT *SS*	1	EA	
39	B2005218	GRILL BOX FRONT--S.B. 4103- PHASE 2	1	EA	
40	002453-000	WARMING RACK SUPPORT SERVICE KIT	1	EA	
41	B2006305	HEAT SHIELD BRACKET	1	EA	
42	PE030040	DOOR/CNPY HNDLE - RPLCS PE930090	1	EA	NO LONGER AVAILABLE
Not Shown	PE030044PVD	CNPY HDLE 41/53 PVD F0005408	1	EA	NO LONGER AVAILABLE
43	PC020025	DRIP TRAY WHEEL	1	EA	
44	PB010337	GRILL THERMOMETER	1	EA	
45	PD020082	10 X 24 COUNTERSUNK S.S. SCREW	1	EA	
46	B3005293	CANOPY END LH (PHASE 2)	1	EA	
47	B2005297	GRILL CANOPY - 41" (PHASE 2)	1	EA	
Not Shown	B9005297FG	CANOPY BODY *FG* VGBQ4103RT	1	EA	NO LONGER AVAILABLE, Not available online / Call for pricing and availability
Not Shown	B9005297GG	CANOPY BODY *GG* VGBQ4103RT	1	EA	NO LONGER AVAILABLE
Not Shown	B9005297VB	CANOPY BODY *VB* VGBQ4103RT	1	EA	NO LONGER AVAILABLE, Not available online / Call for pricing and availability
NI	G3205303FG	CANOPY ASSY 41 (P2 GRILL) *FG*	1	EA	NO LONGER AVAILABLE, Not available online / Call for pricing and availability





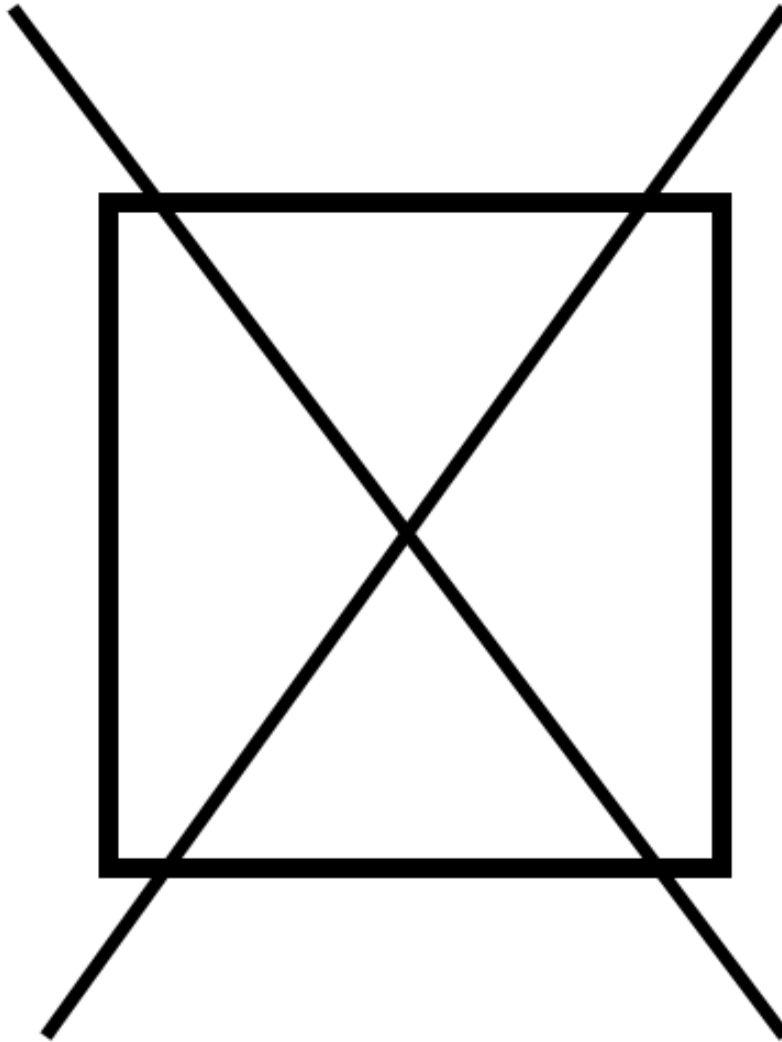
Item	Part No.	Name	Qty	Uom	NOTES
NI	G3205303FGBR	CANOPY ASSY 41 (P2 GRILL) *FG*BR*	1	EA	NO LONGER AVAILABLE, Not available online / Call for pricing and availability
NI	G3205303GG	CANOPY ASSY 41 (P2 GRILL) *GG*	1	EA	NO LONGER AVAILABLE, Not available online / Call for pricing and availability
NI	G3205303GGBR	CANOPY ASSY 41 (P2 GRILL) *GG*BR*	1	EA	NO LONGER AVAILABLE, Not available online / Call for pricing and availability
NI	G3205303SS	CANOPY ASSY 41 (P2 GRILL) *SS*	1	EA	
NI	G3205303SSBR	CANOPY ASSY 41 (P2 GRILL) *SS*BR*	1	EA	NO LONGER AVAILABLE, Not available online / Call for pricing and availability
NI	G3205303VB	CANOPY ASSY 41 (P2 GRILL) *VB*	1	EA	NO LONGER AVAILABLE, Not available online / Call for pricing and availability
NI	G3205303VBBR	CANOPY ASSY 41 (P2 GRILL) *VB*BR*	1	EA	NO LONGER AVAILABLE, Not available online / Call for pricing and availability
48	B2005300	CANOPY HEAT SHIELD 41/53	1	EA	Not available online / Call for pricing and availability
NI	B2005294	INSIDE CANOPY END RH (PHASE 2)	1	EA	Not available online / Call for pricing and availability
NI	B2005295	INSIDE CANOPY LH (PHASE 2)	1	EA	Not available online / Call for pricing and availability
NI	G3205306	41"" DRIP TRAY ASSY (PHASE 2)	1	EA	
49	B3005292	CANOPY END RH (PHASE 2)	1	EA	
NI	PD010043	5/16INCH SHOULDER BOLT (PHASE 2)	2	EA	





Item	Part No.	Name	Qty	Uom	NOTES
1	G4006383	WIRE ASSY (VGBQ-T SERIES) 50"	1	EA	
2	G4006378	WIRE ASSY (VGBQ-T SERIES) 25"	1	EA	
3	G4006376	WIRE ASSY (VGBQ-T SERIES) 10"	1	EA	
4	G4006380	WIRE ASSY (VGBQ-T SERIES) 15"	1	EA	

NON
ILLUSTRATED PART





Item	Part No.	Name	Qty	Uom	NOTES
1	G4006384	WIRE ASSY (VGBQ-T SERIES) 7" NOT FIELD REPLACEABLE	1	EA	
2	G4006377	WIRE ASSY (VGBQ-T SERIES) 15"	1	EA	
3	G4006379	WIRE ASSY (VGBQ-T SERIES) 25"	1	EA	



Appendix A:Pages Index

BURNER GRATE ASSEMBLY	1
CONTROL VALVE ASSEMBLY	2
FUNCTIONAL PARTS	3
GRILL SUBASSEMBLY	4
WIRING	5
WIRING CONT.	6



Appendix B:Parts Index

000268-000	4	B2005347	4
002453-000	4	B2006305	4
003516-000	2, 3	B3005292	4, 4
003533-000	2, 3	B3005293	4
003538-000	2, 3	B3005314	4
003573-000	2, 3	B3005325	1
008090-000	2, 3	B9005297FG	4
008091-000	2, 3	B9005297GG	4
023653-000	2	B9005297VB	4
027596-000	1	B9205320	2
032881-000	1	G3004936	2
042576-000	2	G3004937	2
046328-000	2, 3	G3005214	4
046329-000	2, 3	G3005215	4
050172-000	2	G3005234	4
B20010116	4	G3005289	2, 3
B2004921	1	G3105387	3, 4
B2005201	4	G3205282	1
B2005203	4	G3205303FG	4, 4
B2005204	4	G3205303FGBR	4, 4
B2005206	4	G3205303GG	4, 4
B2005218	4	G3205303GGBR	4, 4
B2005230	4	G3205303SS	4, 4
B2005246	1	G3205303SSBR	4, 4
B2005250	4	G3205303VB	4, 4
B2005263	4	G3205303VBBR	4, 4
B2005264	4	G3205306	4
B2005271	2	G4006376	5
B2005273	4	G4006377	6
B2005278	1	G4006378	5
B2005280	4	G4006379	6
B2005294	4	G4006380	5
B2005295	4	G4006383	5
B2005297	4	G4006384	6
B2005300	4	G50010142	2, 3
B2005310	4	G50010143	2, 3
B2005316	4	G50010144	2, 3
B2005317	4	G50010145	2, 3
B2005324	1	G5005256	4
B2005326	1	G5005257	4
		G5007971	3, 4



G5009726	1	PE010142	2
G9105328	4	PE010143	2
G9105395	4	PE030001PVD	4
J2101749	4	PE030040	4
L1004881	4	PE030044PVD	4
L1005398	4	PE050063	2, 3
PA010088	2	PE070184	1, 3
PA010097	2	PE070189	1, 3
PA010126	2	PK010061	1
PA020036	3, 4	PK010064	2
PA050069	2		
PA060052	1		
PA060053	1		
PA060068	1		
PA060069	1		
PA080050	1, 3		
PA080051	1, 3		
PB010163	2		
PB010192	4		
PB010194	3		
PB010209	2		
PB010212	4		
PB010337	4		
PB020096	2		
PB020114	2		
PB020115	2		
PB040122	2, 3		
PB040136	2		
PB040235	2		
PB060053	1		
PB060055	4		
PB060056	4		
PC020025	1, 1, 4		
PD010043	4		
PD020055	4		
PD020069	4		
PD020082	1, 1, 4		
PD030044	1, 4		
PD030048	2		
PD030050	2		
PD040010	4		